

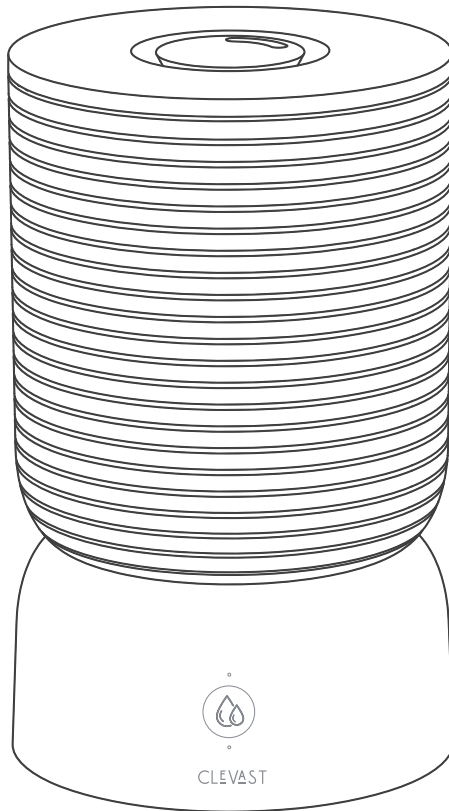
CLEVAST

– Touch smart life –

# Instruction Manual

## Smart Humidifier

Model No.: CL-HD02



Read this manual thoroughly before using and save it for future reference

# TABLE OF CONTENTS

<b>Chapter 1 – Important Safeguards</b> .....	02
1.1 General Safety .....	02
1.2 Power Cord & Plug Safety.....	02
1.3 Leak Prevention.....	02
1.4 Health & Hygiene Warning .....	02
1.5 Anti-Dry Burn Protection.....	02
<b>Chapter 2 – Getting to Know Your Smart Humidifier</b> .....	03
2.1 Product Features .....	03
2.2 Product Diagram .....	03
2.3 Control Panel .....	04
2.4 Package Inclusion.....	04
2.5 Specifications .....	05
<b>Chapter 3 – Before First Use</b> .....	06
3.1 Initial Setup Instructions.....	06
<b>Chapter 4 – Operating Instructions</b> .....	07
4.1 Fill the Water .....	07
4.2 Download The Clevast App .....	08
4.3 Wi-Fi Connection .....	08
4.4 Voice Assistant Connection.....	09
4.5 APP Control.....	09
<b>Chapter 5 – Care &amp; Maintenance</b> .....	10
<b>Chapter 6 – Troubleshooting</b> .....	11
<b>Chapter 7 – Compliance Information</b> .....	12
7.1 FCC Compliance.....	12
7.2 Class B Digital Device Notice.....	12
7.3 FCC Radiation Exposure Statement.....	12
<b>Chapter 8 – Warranty &amp; Customer Support</b> .....	13
8.1 Warranty.....	13
8.2 Customer Support.....	13

# Chapter 1 – Important Safeguards

---

## 1.1 General Safety

1. Read this manual thoroughly before using the product.
2. Operate the device only as instructed.
3. This appliance is intended for indoor, household use only.
4. Always unplug the unit when not in use for an extended period.
5. Do not attempt to disassemble, modify, or repair the unit yourself.
6. Discontinue use immediately if the product is damaged or malfunctioning. Contact Customer Support for assistance.

## 1.2 Power Cord & Plug Safety

1. Always unplug the unit before cleaning or refilling.
2. Never immerse the base, power cord, or plug in water or any other liquid.
3. If the power cord is damaged, it must be replaced by the manufacturer or qualified service personnel.
4. Use only genuine Clevast replacement parts to ensure safety and compatibility.

## 1.3 Leak Prevention

1. Do not add essential oils, chemicals, or water treatment agents into the tank or base.
2. Essential oils should be used exclusively with the provided aroma pad in the aroma box.
3. Avoid overfilling the tank. Ensure it is properly aligned on the base to prevent leakage.

## 1.4 Health & Hygiene Warning

1. Clean the tank and internal surfaces every 3 days to prevent bacterial growth.
2. Do not leave stagnant water in the tank during periods of non-use.
3. Allow all parts to dry completely before storage or reuse.

## 1.5 Anti-Dry Burn Protection

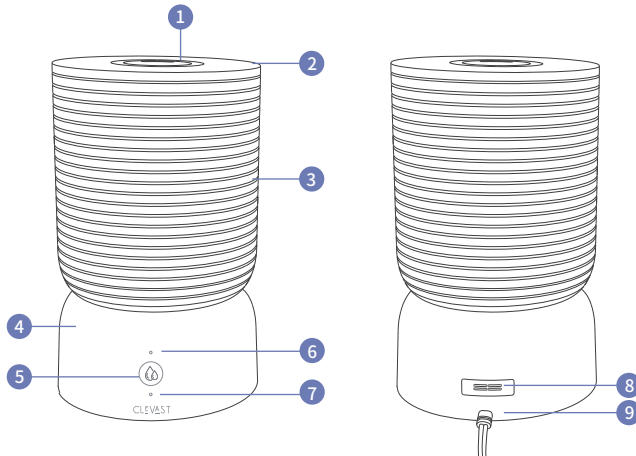
1. The device is equipped with a safety shutdown mechanism. If the float or sensor malfunctions, the unit will emit 3 beeps and power off.
2. Inspect the float area and remove any blockage.
3. Restart the device after the issue is resolved.

# Chapter 2 – Getting to Know Your Smart Humidifier

## 2.1 Product Features

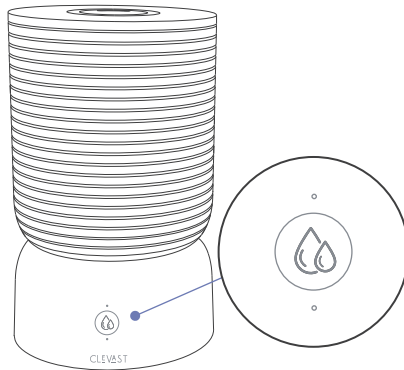
Feature	Description
Top-Fill Design	Refilling is simple and spill-free. Just remove the top cover—no need to lift or disassemble the unit.
Smart Control	Connect via the Clevast App to remotely control mist levels, monitor humidity, and schedule operation. <b>Only supports 2.4GHz Wi-Fi.</b>
Independent Aroma Box	Keeps essential oils separated from the main tank, preserving performance and minimizing cleaning.

## 2.2 Product Diagram



No.	Component	Function
1	Fog Outlet	Dispenses mist into the air, 360° Rotatable
2	Water Tank Cover	Removable top cover for convenient refilling
3	Water Tank	Holds water for humidification (up to 4L capacity)
4	Base	Houses the mist generator and electronic components
5	Power / Mist / Wi-Fi Button	One-touch control for mist level, power Long press 5s for Wi-Fi pairing
6	Mist Level Indicator	Displays current mist intensity: Green (low), Orange(High)
7	Wi-Fi Indicator	Displays connection status using colored LED behavior
8	Aroma Box	Dedicated slot for essential oil pad
9	Power Cord	Connects the unit to a standard power outlet

## 2.3 Control Button



User Action	Function	Indicator
1st press	Activates low mist mode	Green light
2nd press	Switches to High mist mode	Orange light
3rd press	Power OFF	No light
Long press (5 seconds)	Enter Wi-Fi Pairing mode	Blue Wi-Fi indicator flashing rapidly

### Cycles through modes sequentially:

OFF → LOW → HIGH → OFF

### Wi-Fi Indicator Reference

LED Behavior	Status
Fast blue blinking	In pairing mode
Slow blue blinking	Not yet connected
Solid blue (15s)	Connected successfully
Light off	Connection complete, device in standby

## 2.4 Package Inclusion

1 x Smart Humidifier  
1 x Warranty Card

2 x Aroma Pads  
1 x Share Card

1 x Small Cleaning Brush

## 2.5 Specifications

Item	Details
Model No.	CL-HD02
Tank Capacity	4L
Product Dimensions	φ7.05 x 11.82 in / 17.9 x 30 cm
Product Weight	2.44 lb / 1.11 kg
Rated Power	High: 23W ±10% / Low: 16W ±10%
Humidification Output	High: 240 ml/h / Low: 125 ml/h
Noise Level	≤28 dB
Standby Power Consumption	<1W
Recommended Coverage Area	Up to 398 sq.ft / 37 m <sup>2</sup>
Power Cord Length	65 in / 165 cm
Mist Height	≥23.62 in / 60 cm
Recommended Operating Temperature	41°F-104°F / 5°C-40°C
Recommended Operating Humidity	20% RH-80% RH
Transport Temperature Range	-4°F-158°F / -20°C-70°C
Certifications	FCC, ETL, PSE, CE

# Chapter 3 – Before First Use

---

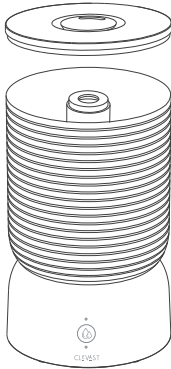
## 3.1 Initial Setup Instructions

Step	Instruction
1	Remove all packaging materials, including protective inserts from inside the tank and base.
2	Detach the water tank from the base. Remove all visible tape, especially on the float mechanism.
3	Rinse the tank, top cover, and aroma box with clean, room-temperature water.
4	Place the humidifier on a firm, level, and water-resistant surface.
5	Maintain at least 30 cm (12 inches) of space around the device.
6	Position the mist outlet so it does not directly face furniture, curtains, or electronics.
7	Do not plug in the humidifier until it is fully assembled and filled with water.

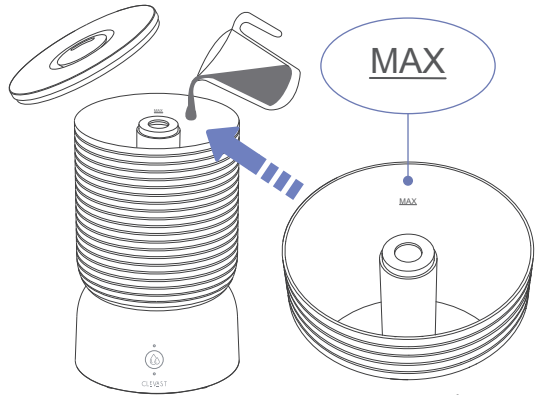
**Note:** It is recommended to rinse all parts before first use to eliminate any manufacturing residue.

# Chapter 4 – Operating Instructions

## 4.1 Fill the Water



Step 1

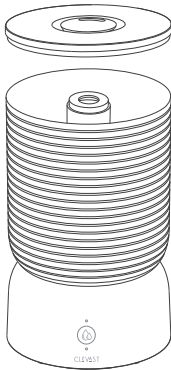


Step 2

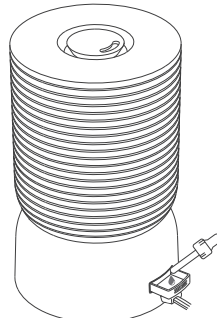
Max Water Line



1. Do not fill being exceeding the tank's max water line!
2. Recommend using purified or distilled water!



Step 3



Step 4

Step	Instruction
1	Remove the top cover to access the tank.
2	Pour water directly into the tank while it remains on the base.
3	Reattach the top cover securely
4	Add 2-3 drops of your favorite essential oil to the aroma pad. <b>Do not add essential oils, fragrances, or other liquids into the tank or base.</b>
5	Connect to power

## 4.2 Download the Clevast App

To download the Clevast App, please scan the QR code or search for "Clevast" in Apple App Store® (iOS) or Google Play Store(Android).



Clevast App

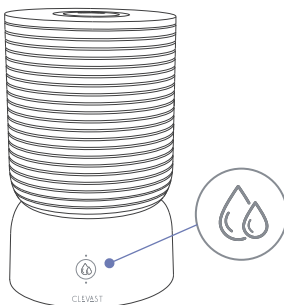
### NOTE:

- Enable permissions when prompted during first-time use. These permissions enable core app functionality and do not collect personal data.
- Clevast App is being continually updated and App features will be expanded.

## 4.3 Wi-Fi Connection



[Please scan and watch the instructional video](#)



Action	Function
Enable Bluetooth on your phone	Pair your phone with the device
Long press (5 seconds)	Activate Wi-Fi pairing mode

Wi-Fi Indicator	Status
Fast blue blinking	Active pairing mode
Slow blue blinking	Not connected
Solid blue (auto off)	Successfully connected (turns off after 5 mins)
No light	Standby (connected)

**Tips:** The device will automatically exit pairing mode if no connection is made within 10 minutes.

## 4.4 Voice Assistant Connection



Please scan and watch the instructional video  
or follow the step-by-step instructions below:

Step	Instruction
1	Open the Clevast App and navigate to Third-Party Services.
2	Choose your preferred voice assistant (Alexa or Google Assistant).
3	Follow the setup instructions to link your device for voice control.

**All systems ready**



**Scan now to master app controls**



## 4.5 APP Control



Watch the instructional video for Clevast App operation guidance

# Chapter 5 – Care & Maintenance

Maintenance Task	Recommended Frequency	Key Steps
Cleaning the Humidifier	Once a week or before storage	<ol style="list-style-type: none"> <li>1. Unplug the unit.</li> <li>2. Empty tank and base.</li> <li>3. Rinse with clean water.</li> <li>4. Wipe with soft cloth.</li> <li>5. Air dry fully.</li> </ol>
Descaling the Humidifier	Every 1–2 weeks	<ol style="list-style-type: none"> <li>1. Fill with 24 oz white vinegar.</li> <li>2. Let sit 15–20 mins.</li> <li>3. Empty and wipe.</li> <li>4. Rinse thoroughly.</li> <li>5. Dry all parts.</li> </ol>
Cleaning the Aroma Pad	As needed (e.g., oil change)	<ol style="list-style-type: none"> <li>1. Remove aroma box.</li> <li>2. Rinse pad under warm water.</li> <li>3. Dry with soft cloth.</li> <li>4. Reinsert.</li> </ol>
Storing the Humidifier	Before extended periods of non-use	<ol style="list-style-type: none"> <li>1. Clean and dry all parts.</li> <li>2. Leave no water in tank/base.</li> <li>3. Store in dry, ventilated area.</li> <li>4. Keep parts loosely assembled.</li> </ol>

**Additional Notes:**

- 5GHz networks are not supported.
- Avoid using detergent or chemical cleaners.
- Never operate the unit with vinegar inside the tank.
- Replace aroma pad periodically if discolored or ineffective.



## Chapter 6 – Troubleshooting

Problem	Possible Cause	Solution
Device does not power on	1. Power cord not connected properly	Ensure the power cord is plugged in securely.
	2. Faulty outlet	Check the outlet.
	3. Button not pressed	Press the power button again.
Low or no mist output	1. Excess water in the base.	Empty the water in the Base, then restart the humidifier.
	2. Empty tank	Refill with water.
	3. Blocked nozzle	Clean the nozzle and tank.
	4. Mineral buildup	Use distilled water.
Water leakage	1. Tank misaligned	Reseat the tank.
	2. Silicone ring damaged	Check the sealing ring.
	3. Overfilled tank	Avoid overfilling.
Red light is blinking	1. No water in the tank	Refill the tank within 40 seconds. If not, the unit will auto shut off.
Moldy smell or odor	1. Water left in tank for too long	Clean the tank regularly. Always use fresh water.
	2. Infrequent cleaning	
White dust buildup	1. Use of hard tap water	Switch to purified or distilled water.
Loud or unusual noise	1. Uneven placement	Place the device on a flat surface.
	2. Float mechanism stuck	Inspect and adjust the float.
No scent from aroma pad	1. Pad is dry or saturated	Replace if the pad is old or discolored.
	2. Essential oil not added	Add oil to the pad.

# Chapter 7 – Compliance Information

---

## 7.1 FCC Compliance

This device complies with Part 15 of the FCC Rules. Operation is subject to the following two conditions:

1. This device may not cause harmful interference.
2. This device must accept any interference received, including interference that may cause undesired operation.

### Notice:

Any changes or modifications not expressly approved by the party responsible for compliance may void the user's authority to operate this device.

## 7.2 Class B Digital Device Notice

This equipment has been tested and found to comply with the limits for a Class B digital device, pursuant to Part 15 of the FCC Rules.

These limits are designed to provide reasonable protection against harmful interference in a residential installation.

Recommendation	Purpose
Reorient or relocate the receiving antenna	Improve signal reception
Increase the distance between devices	Reduce potential interference
Plug into a separate power circuit	Avoid line noise from shared electronics
Contact a qualified technician	For persistent issues requiring assistance

## 7.3 FCC Radiation Exposure Statement

Requirement	Specification
Minimum distance from the body	7.87 in / 20 cm
Use with other antennas/transmitters	Not permitted
Frequency & region settings	Factory preset and not user-adjustable

This device complies with FCC radiation exposure limits for use in an uncontrolled environment.

# Chapter 8 – Warranty & Customer Support

---

## 8.1 Warranty

Item	Details
Warranty Type	Limited warranty for residential use
Coverage Duration	1 year from the date of original purchase
Coverage Scope	Defects in materials or workmanship under normal household use
Claim Requirements	Contact Clevast Support with valid proof of purchase

### Not Covered:

- Damage caused by misuse, abuse, accidents, or unauthorized modifications
- Normal wear and tear
- Cosmetic damage that does not affect performance
- Use of non-original or incompatible accessories or replacement parts

### Warranty will be voided if:

- The product is serviced by unauthorized personnel
- The product is modified or assembled with unapproved components

## 8.2 Customer Support

Contact Method	Details
Email	support@clevast.com
Website	www.clevast.com

To help us assist you faster, please include the following:

1. Product model number
2. Date and place of purchase
3. Description of the issue or malfunction

Our support team is committed to providing prompt and effective assistance.



# CLEVAST



**@CLEVAST**  
**WWW.CLEVAST.COM**



Scan to Follow Us