



Husqvarna[®]

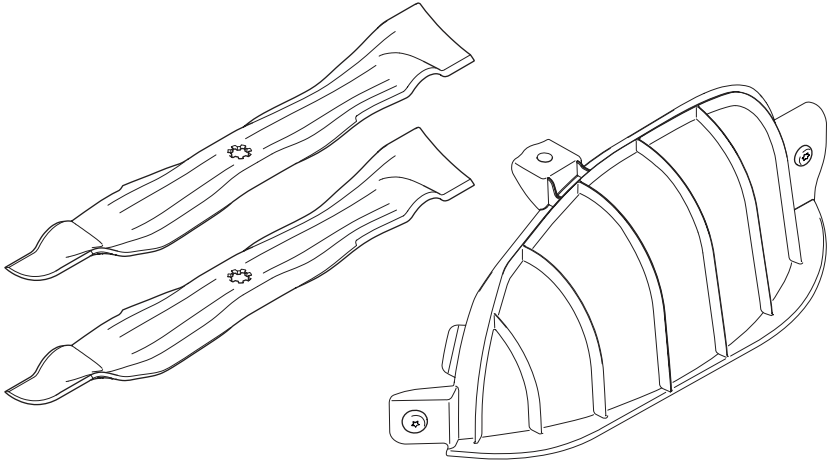
Husqvarna Attachments

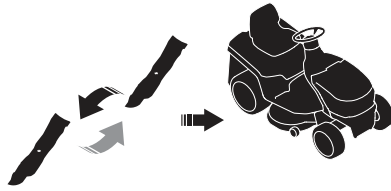
Mulch kit 547 55 55-01

EN Operator's manual

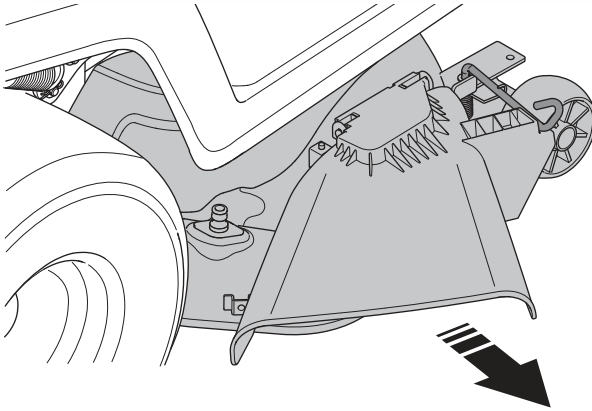
0 -0

Mulch kit: 547 55 55-01

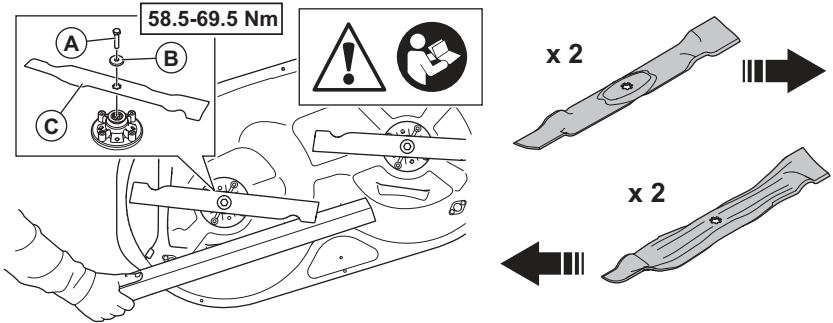


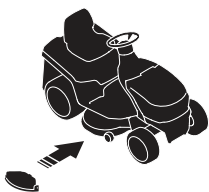


1



2





3

(P)
AUTO

+

4

5

6

7

T30
x2



Husqvarna[®]

www.husqvarna.com

Original instructions



1144014-38



2024-04-08