



PERFORMER[®] GOLD CHARCOAL GRILL

Read Owner's Guide before using the barbecue.

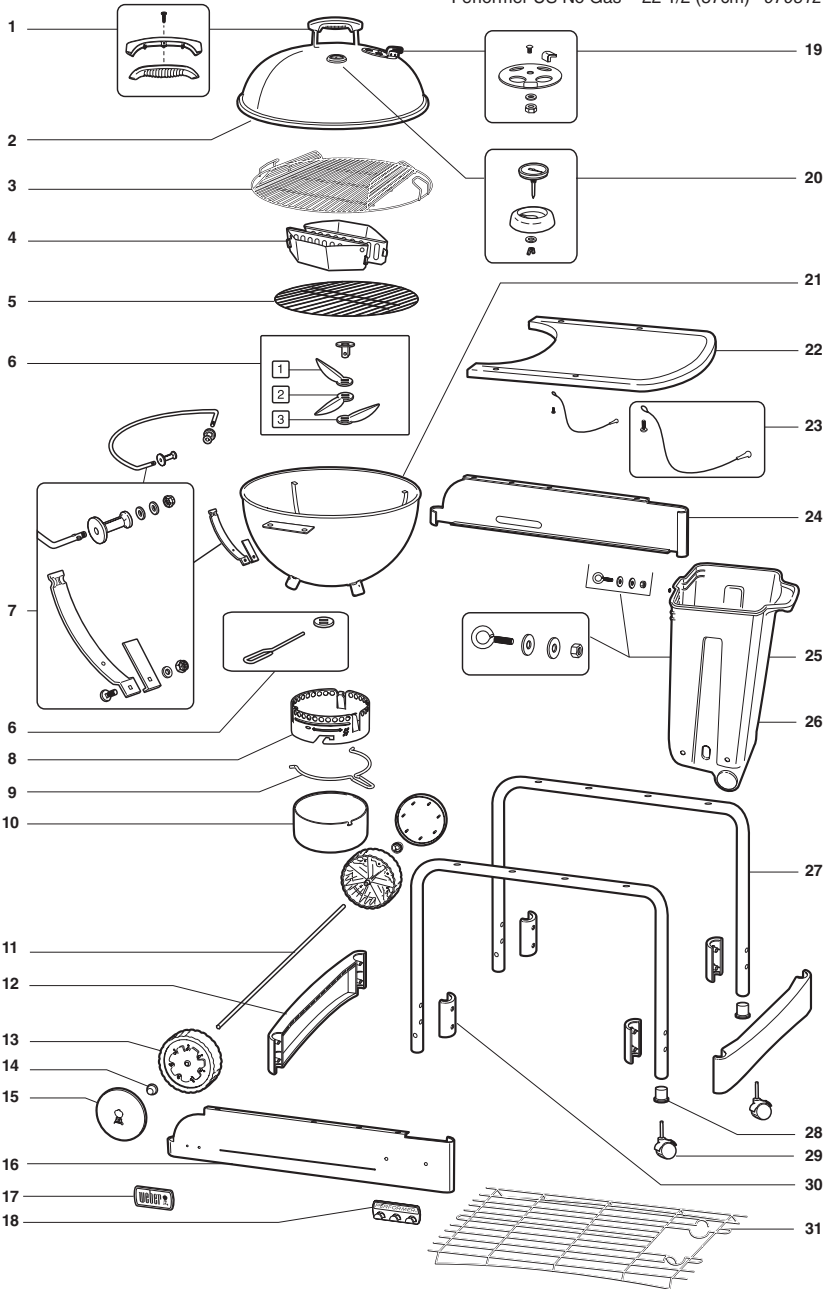
22½ inch
(57 cm)



54485 AU 072012

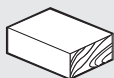
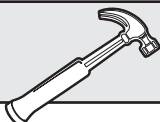
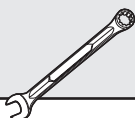
EXPLODED VIEW

Performer US No Gas - 22 1/2 (57cm) 070812

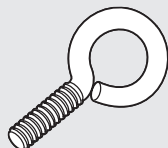
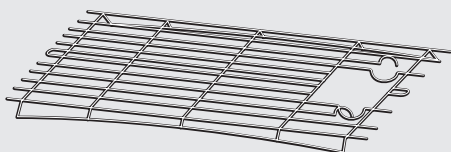
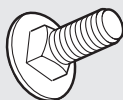
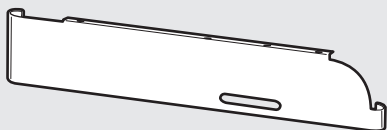
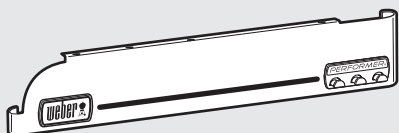
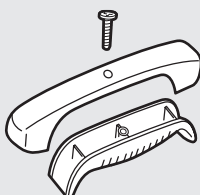
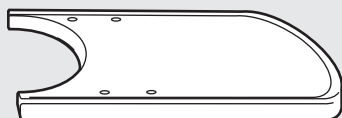
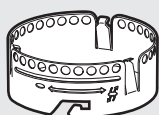
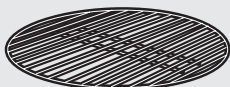
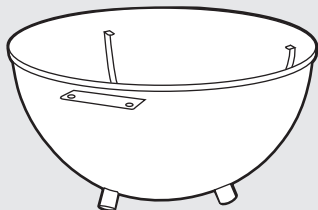
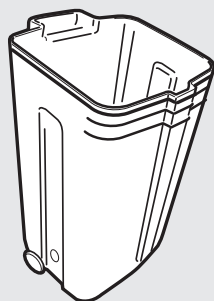
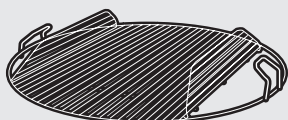
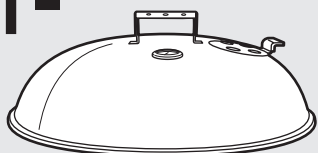


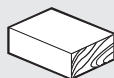
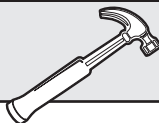
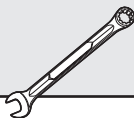
EXPLODED VIEW LIST

- | | | |
|--|--------------------------|------------------------------|
| 1. Lid Handle Assembly | 12. Leg Frame Bracket | 23. CharBin™ Retention Chain |
| 2. Lid | 13. Wheel | 24. Rear Panel |
| 3. Hinged Cooking Grate | 14. Hub Cap | 25. CharBin™ Hardware |
| 4. Char-Baskets™ | 15. Wheel Cover | 26. CharBin™ |
| 5. Charcoal Grate | 16. Front Panel | 27. Frame Leg |
| 6. One Touch™ Cleaning System | 17. Logo Plate | 28. Caster Inserts |
| 7. Lid Holder & Lower Support Assembly | 18. Tool Holders | 29. Casters |
| 8. Ash Catcher Ring | 19. Lid Damper Assembly | 30. Leg Frame Bracket Clamp |
| 9. Ash Catcher Handle | 20. Thermometer Assembly | 31. Bottom Rack |
| 10. High Capacity Ash Catcher | 21. Bowl | |
| 11. Axle | 22. Table | |

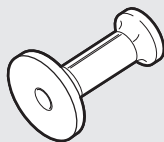
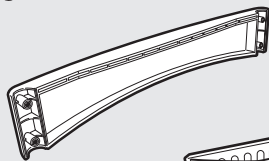


1-





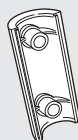
2-



3-



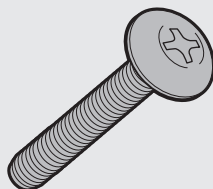
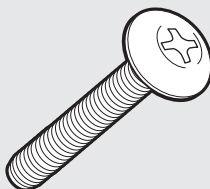
4-

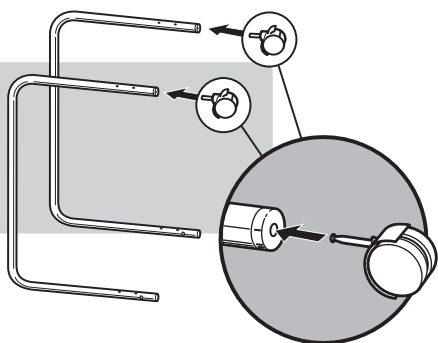
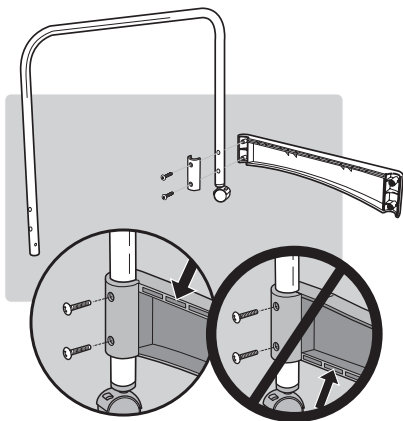
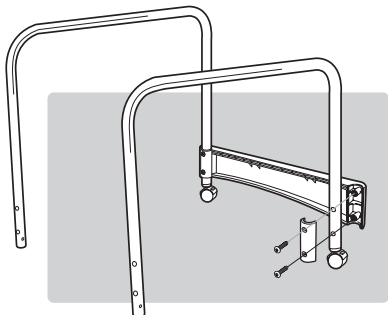
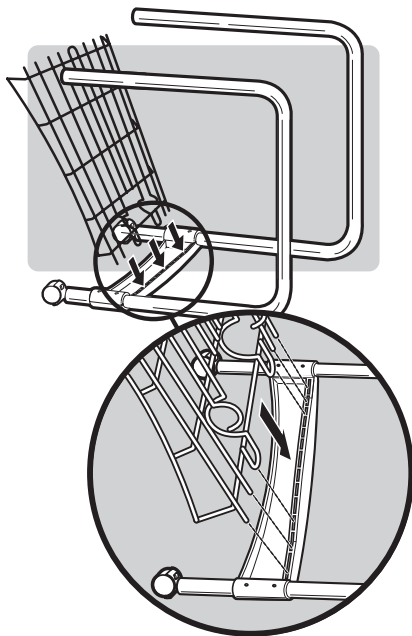


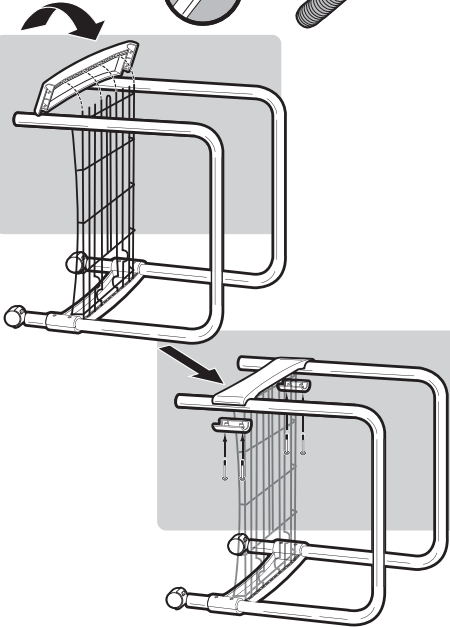
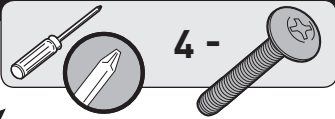
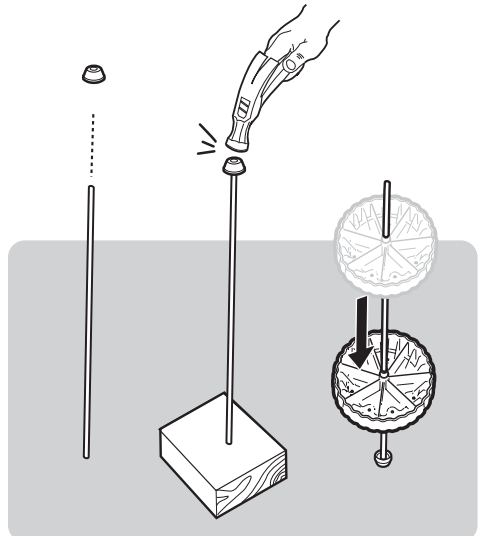
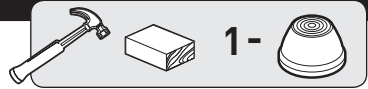
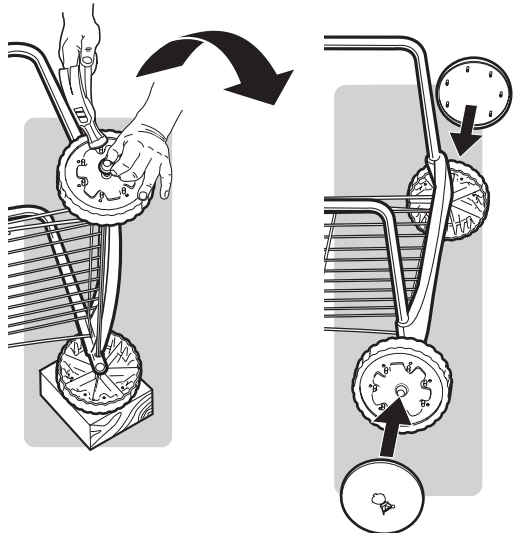
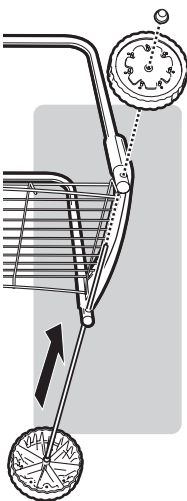
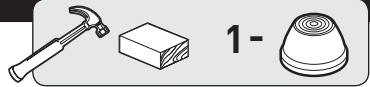
5-

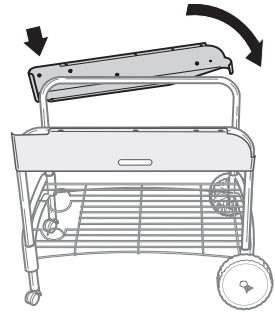
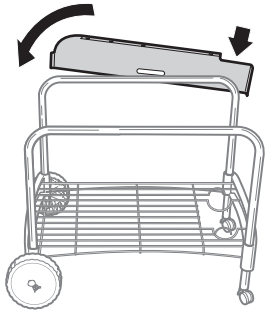


8-

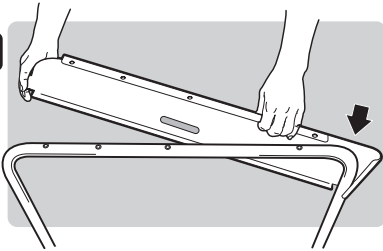


1**2****3****4**

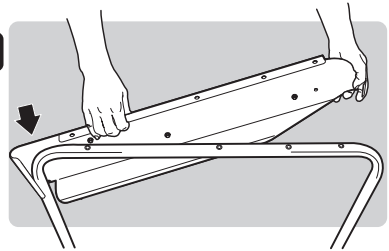
5**6****7**



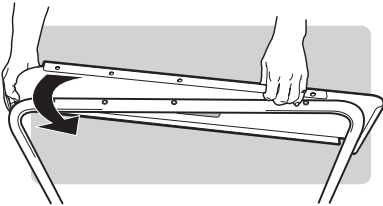
A



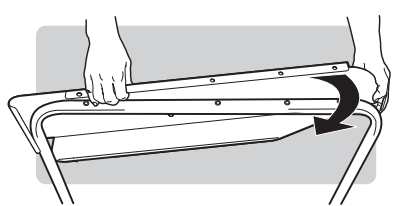
A



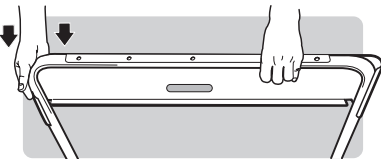
B



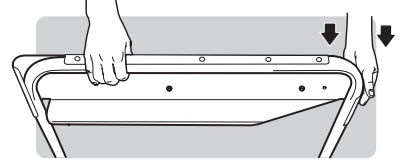
B

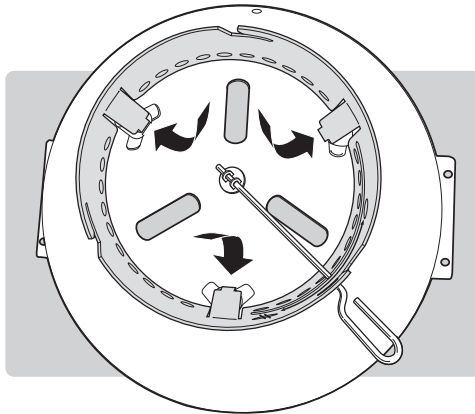
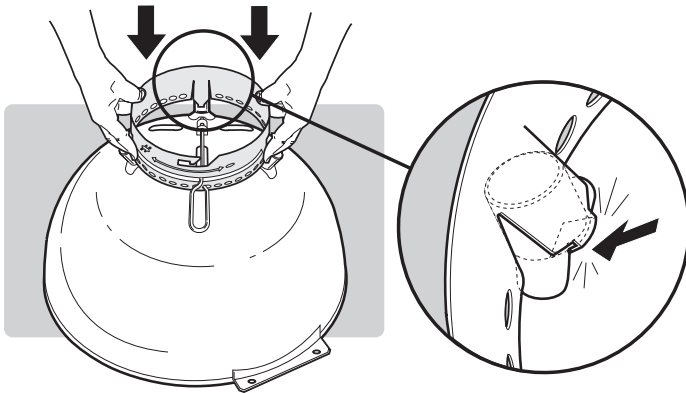
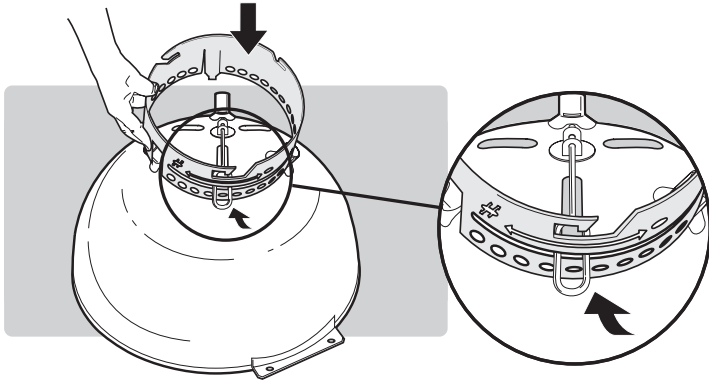


C

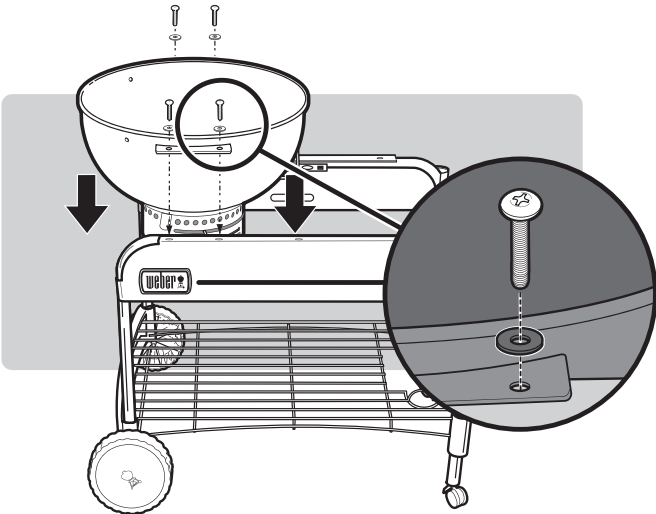
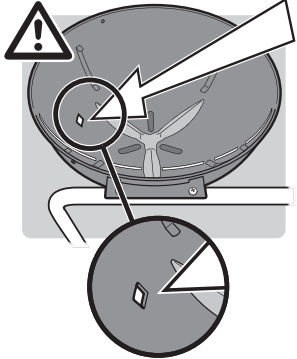


C

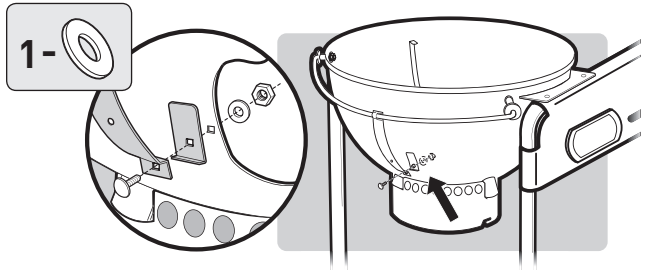
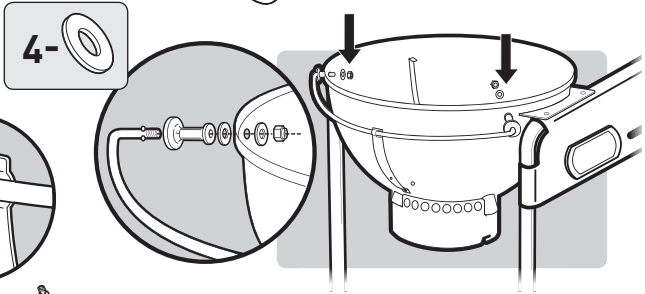
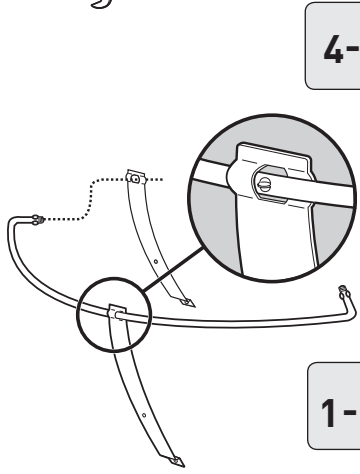
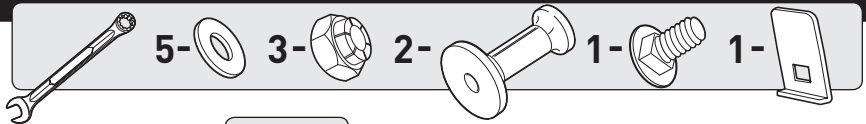




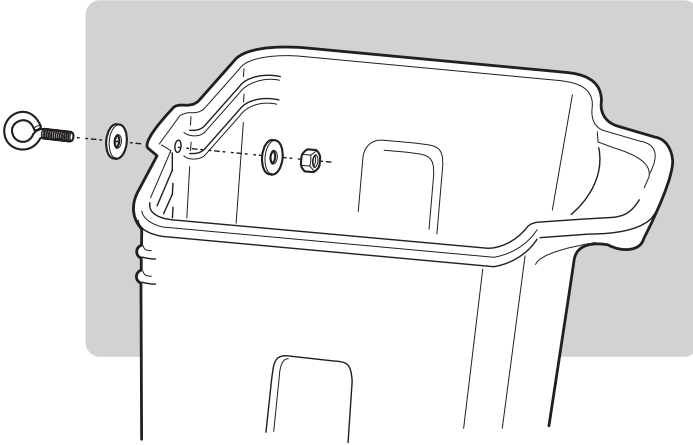
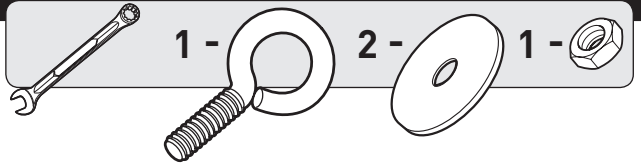
10



11

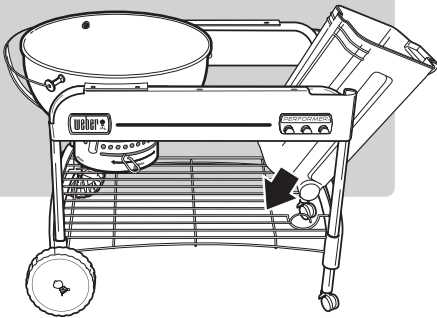


12

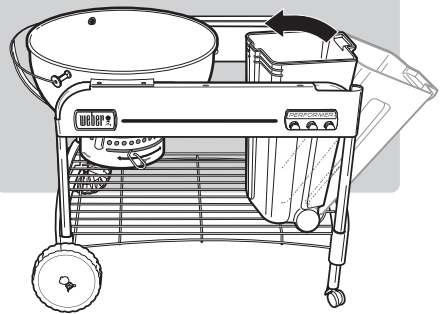


13

A



B

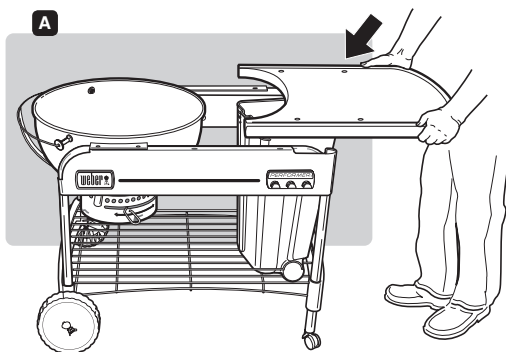


14

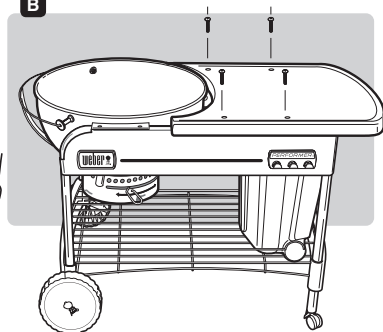


4 -

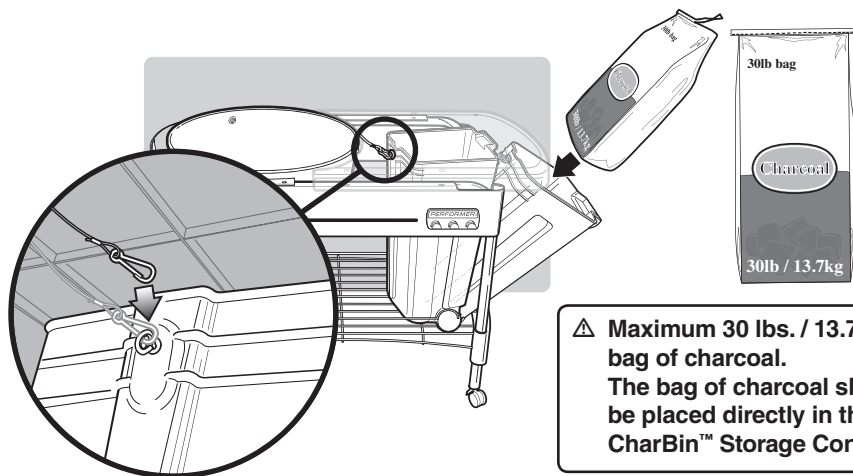
A



B

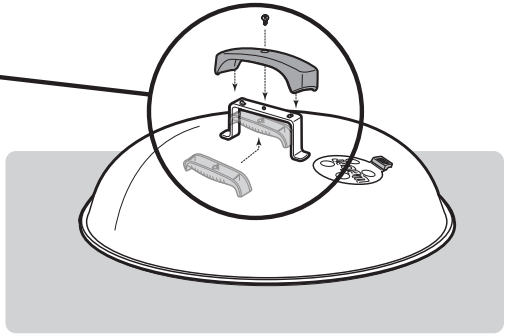
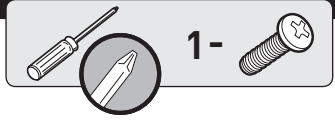


15

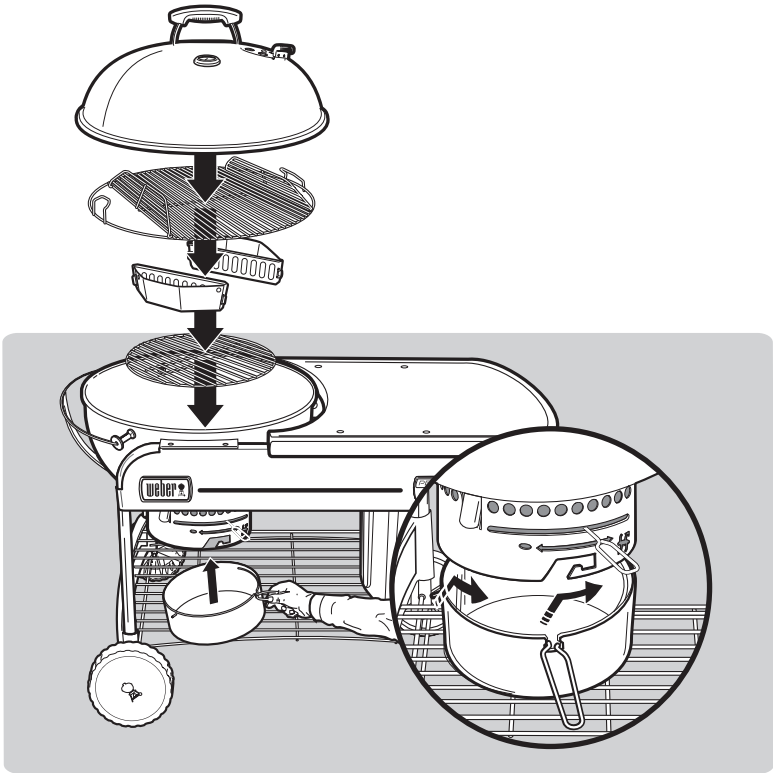


⚠ Maximum 30 lbs. / 13.7 kg. bag of charcoal. The bag of charcoal should be placed directly in the CharBin™ Storage Container.

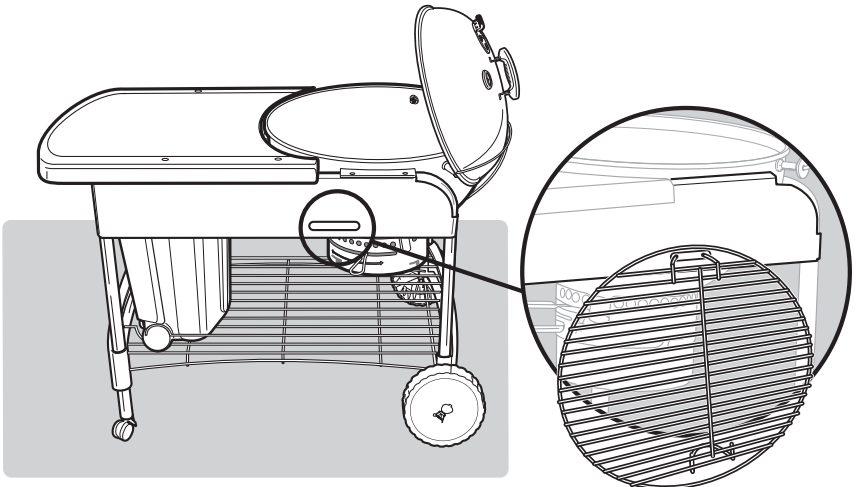
16



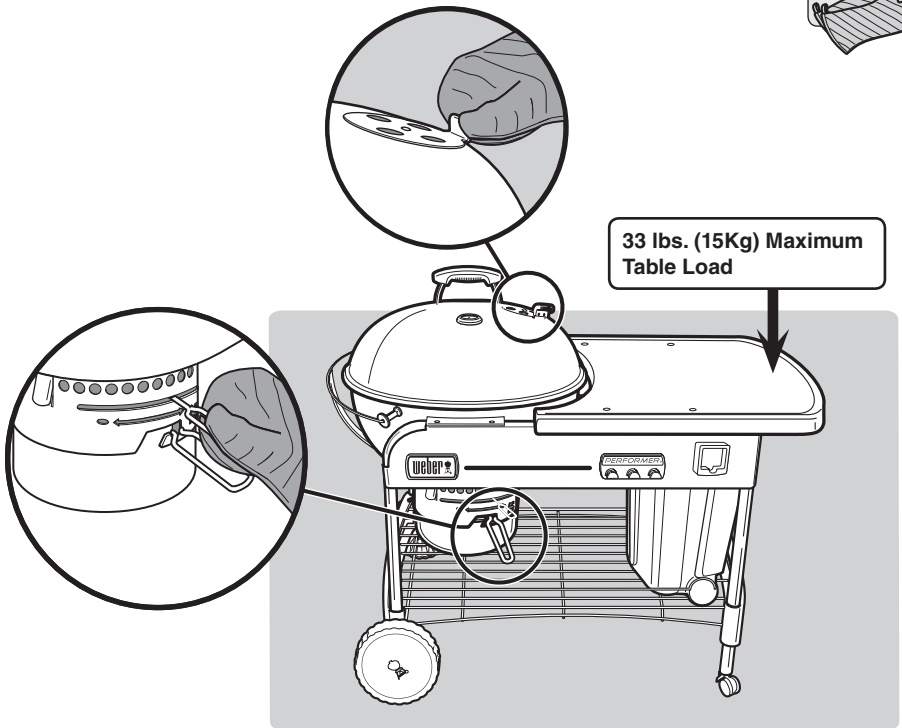
17

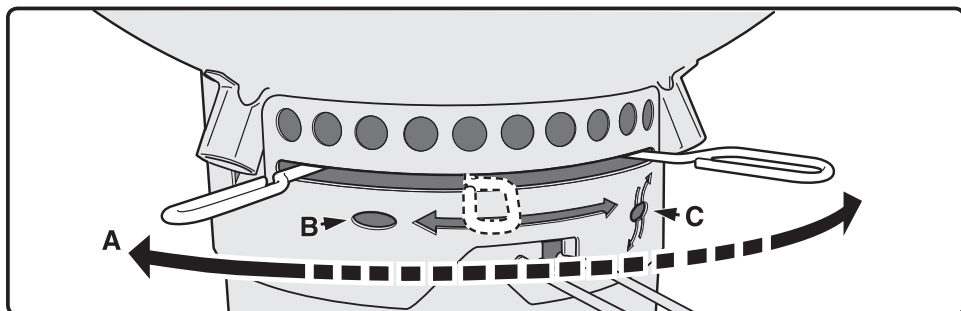


18



19



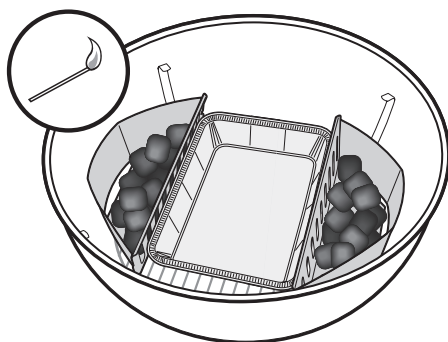


A - Clear ashes B - Vents closed C - Vents open

⚠ **WARNING:** When using liquid starters always check ash catcher before lighting. Fluid can collect in the ash catcher and could ignite, resulting in a fire below the bowl. Remove any starting fluid from the ash catcher before lighting charcoal.

USING CHAR-BASKET™ CHARCOAL HOLDERS

To set up for indirect cooking, prepared charcoal are set on either side of the food. Leave enough room for a drip pan between the coals.





WEBER-STEPHEN PRODUCTS LLC
www.weber.com[®]

© 2012 Designed and engineered by Weber-Stephen Products LLC,
a Delaware limited liability company, located at 200 East Daniels Road, Palatine, Illinois 60067 U.S.A.
Printed in U.S.A.