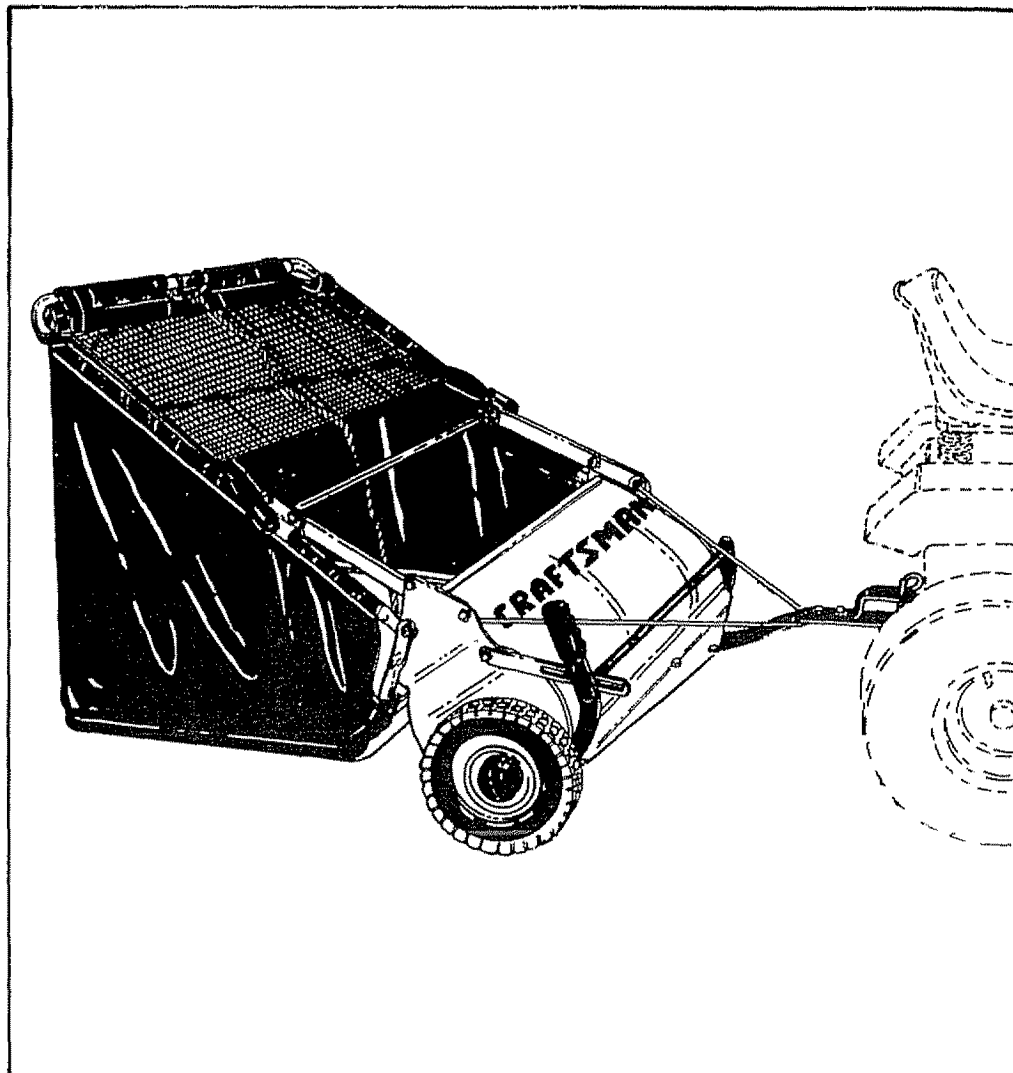


SEARS

**owners
manual**

Model No.
486.240383



38" HIGH PERFORMANCE CRAFTSMAN LAWSWEEPER

CAUTION:
Read Rules for
Safe Operation
and Instructions
Carefully

- **Assembly**
- **Operation**
- **Customer Responsibilities**
- **Repair Parts**

Sears, Roebuck and Co., Hoffman Estates, IL. 60179 U.S.A.

PRINTED IN U.S.A.

RULES FOR SAFE OPERATION

The following safety precautions are suggested. This lawn sweeper is designed, engineered and tested to offer reasonably safe and effective service, provided it is operated in strict accordance with these instructions. Failure to do so may result in personal injury. Always observe the rules for safe operation.

1. Do not allow anyone to operate the sweeper without proper instructions.
2. Do not permit children to operate sweeper.
3. Do not push or tow sweeper too close to a fire, because the hopper and brush will burn.
4. Do not attempt to remove wire or string wrapped around brush while brush is rotating.
5. Operate sweeper at reduced speed on rough terrain, in ditches, and on hillsides to prevent tipping and loss of control. Stay alert for holes or other hidden hazards.
6. This sweeper is not meant for street or highway use. Watch for traffic when sweeping near roadways.
7. Keep all nuts, bolts and screws tight to be sure equipment is in safe working condition.
8. Vehicle and attachments should be stopped and inspected for damage after striking a foreign object and damage should be repaired before restarting and operating the equipment.
9. Follow maintenance instructions as outlined in this manual.

Your lawnsweeper carton and inner pack parts carton contains parts as shown in the figure below. The hardware package contains two separate packages, see figures 1 and 2 on page 3. Identify all parts and layout as shown in the figure below and figures 1 and 2.

CARTON CONTENTS

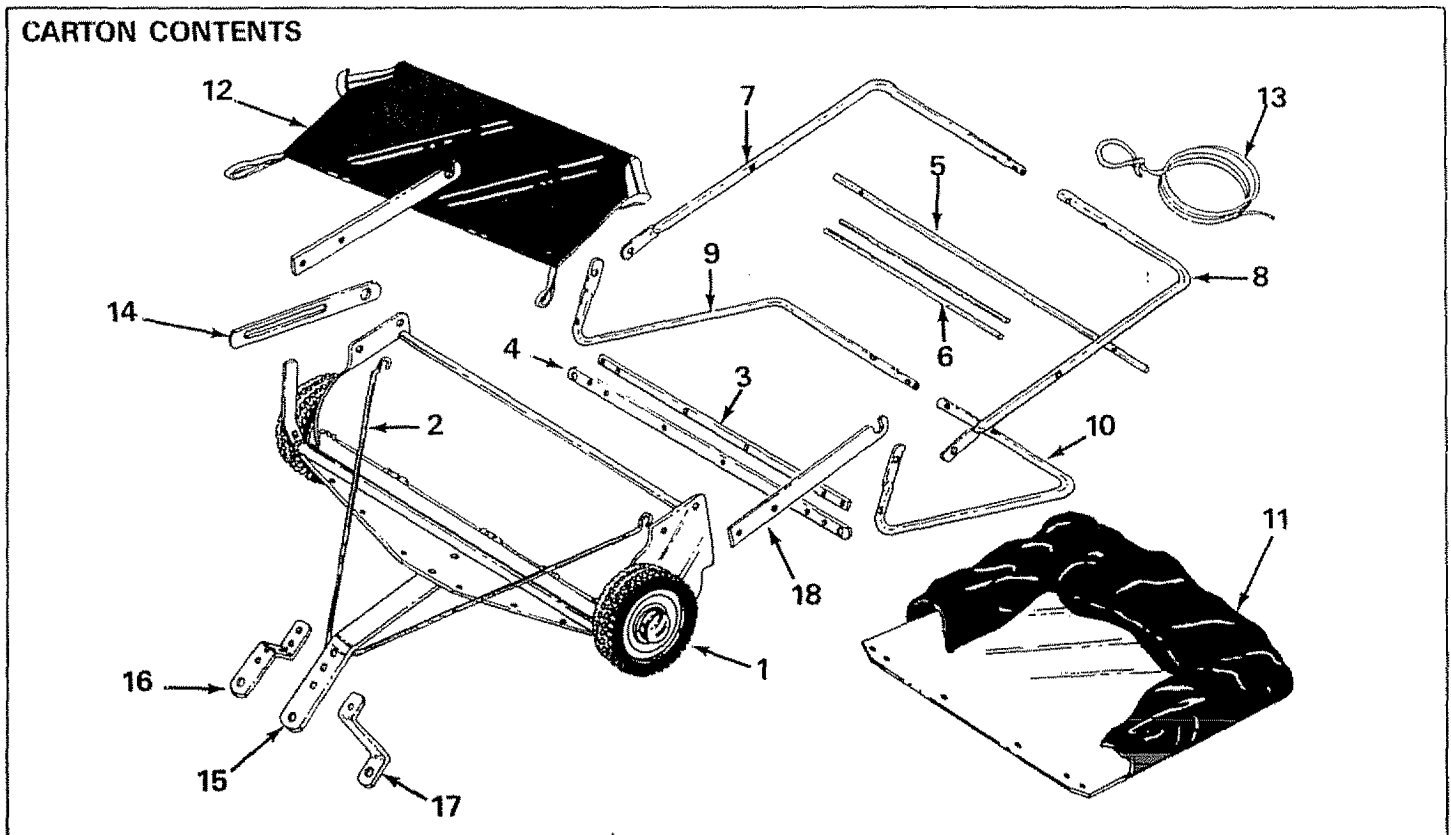
Loose Parts in Carton

1. Sweeper Housing Assembly
2. Brace Rod
3. Bag Retainer strap
4. Bag Frame Strap
5. Bag Pivot Rod (1) 3/8" Dia
6. Bag Support Rods (2) 3/16" Dia
7. Upper Hopper Tube, Right Hand

8. Upper Hopper Tube, Left Hand
9. Lower Hopper Tube, Right Hand
10. Lower Hopper Tube, Left Hand
11. Hopper Bag
12. Wind Screen

PARTS IN INNER PACK CARTON:

13. Rope
14. Height Adjustment Strap
15. Hitch Bar
16. Hitch Bracket
17. Hitch Pin Bracket
18. Hopper Mount Arms (2)
19. Hardware Package (Not Shown)



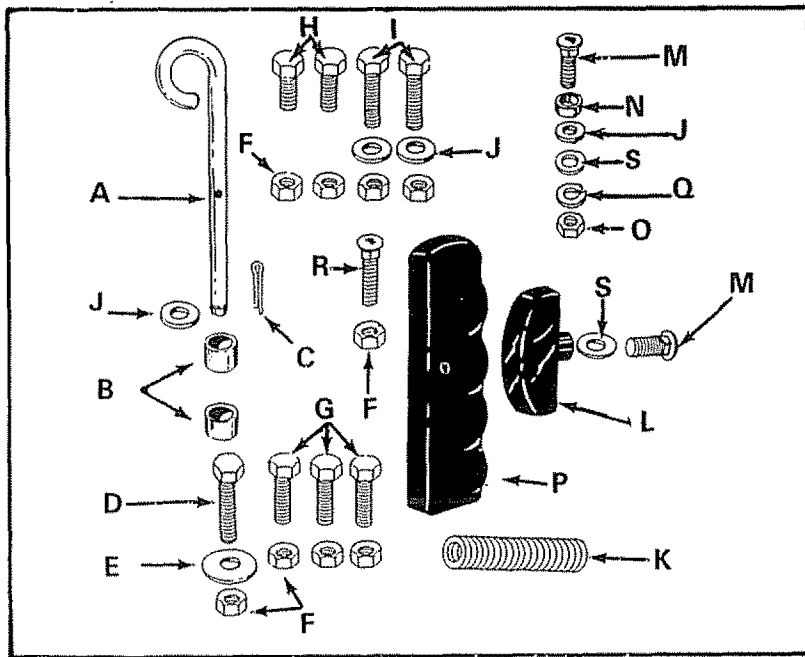


FIGURE 1

NOTE

DO NOT mix contents of hardware packages.

CONTENTS OF HARDWARE PACK: (Figure 1). Sweeper Housing Assembly

- A (1) Hitch Pin
- B (2) Spacers 1" Dia. x 3/4" Long
- C (1) Cotter Pin 1/8" x 3/4" Long
- D (1) Hex Bolt 3/8-16 x 1-1/2" Long
- E (1) Flat Washer 17/32" x 1-1/2" x 1/8"
- F (9) Hex Lock Nuts 3/8-16 Thread
- G (3) Hex Bolts 3/8-16 x 1" Long
- H (2) Hex Bolts 3/8-16 x 3/4" Long
- I (2) Hex Bolts 3/8-16 x 1-1/4" Long
- J (4) Flat Washers 3/8" Std.
- K (1) Hitch Pin Spring
- L (1) Hand Knob
- M (2) Carriage Bolt 5/16-18 x 3/4" Long
- N (1) Spacer 13/32" I.D. x 5/8" O.D. x 3/16"
- O (1) Hex Nut 5/16-18 Thread
- P (1) Grip
- Q (1) Lock Washer 5/16" I.D.
- R (1) Carriage Bolt 3/8"-16 x 1" Long
- S (2) Flat Washers 5/16" Std.

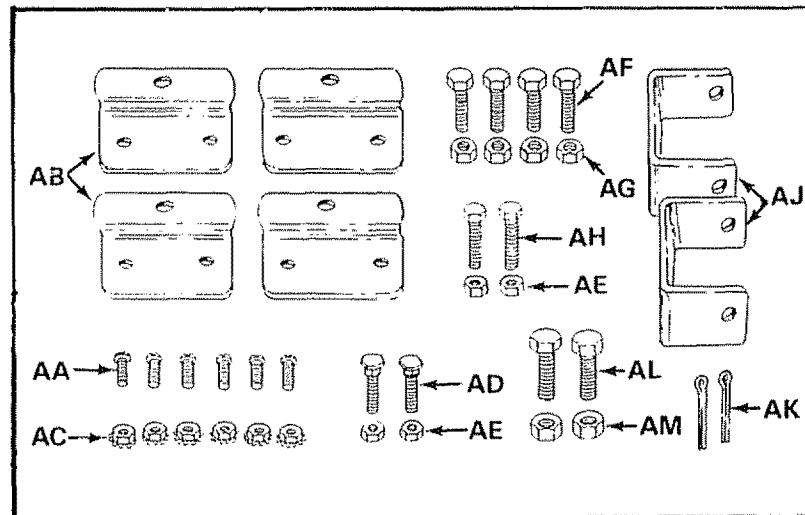
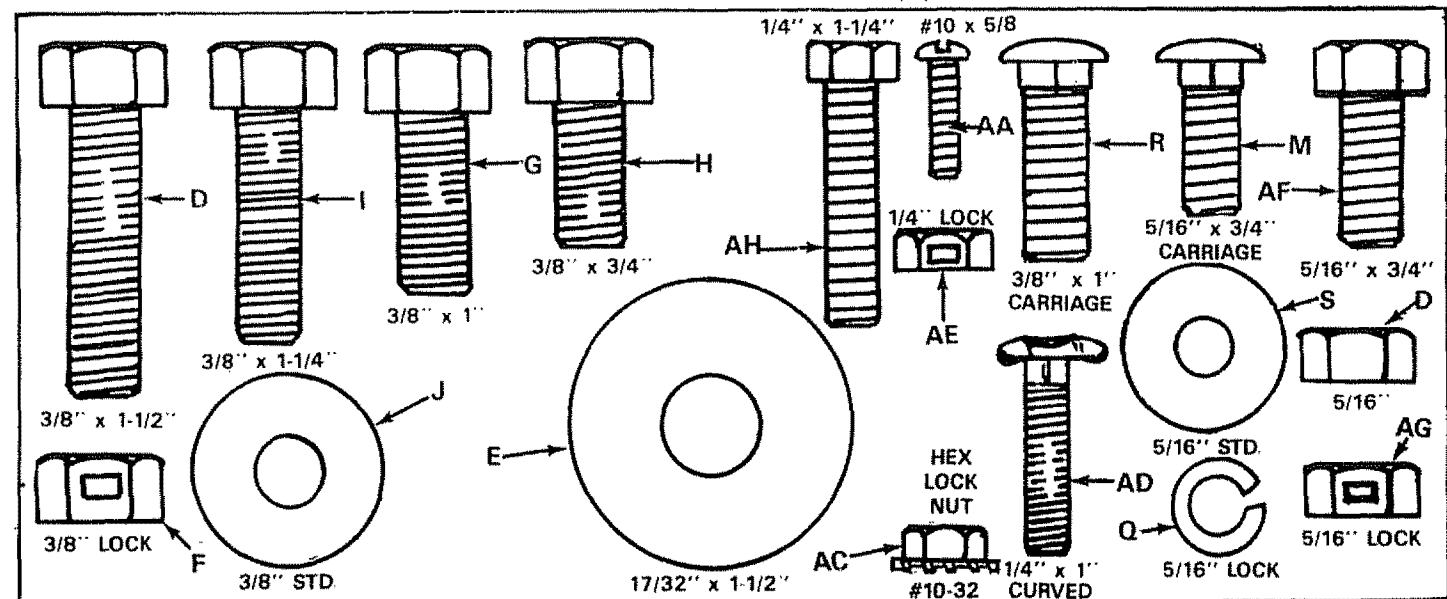


FIGURE 2

CONTENTS OF HARDWARE PACK: (Figure 2) Hopper Bag Assembly

- AA (6) Truss Slotted Head Screws #10-32 x 5/8"
- AB (4) Hopper Mounting Clamps
- AC (6) Hex Lock Nut #10-32 Thread
- AD (2) Curved Head Bolts 1/4-20 x 1" Long
- AE (4) Hex Lock Nuts 1/4-20 Thread
- AF (4) Hex Bolts 5/16-18 x 3/4" Long
- AG (4) Hex Lock Nuts 5/16-18 Thread
- AH (2) Hex Bolts 1/4-20 x 1-1/4" Long
- AJ (2) Bag Retainer Clevises
- AK (2) Cotter Pins 1/8 x 3/4" Long
- AL (2) Hex Bolts 3/8-16 x 3/4" Long
- AM (2) Hex Lock Nuts 3/8-16 Thread



FULL SIZE HARDWARE REFERENCE CHART

ASSEMBLY INSTRUCTIONS FOR SWEEPER HOUSING

TOOLS REQUIRED

- (1) Adjustable Wrench
- (1) 3/8" Open End or Box Wrench
- (1) 7/16" Open End or Box Wrench
- (1) 1/2" Open End or Box Wrench
- (1) 9/16" Open End or Box Wrench
- (1) Standard Screwdriver
- (1) Pair of Pliers



NOTE

Right Hand (R.H.) and left hand (L.H.) are determined from operator's position while seated on tractor.

Refer to carton contents figure on page 2 and figure 1 on page 3 for parts and hardware needed to assemble sweeper housing.

1. Assemble the hitch bar to the sweeper housing; place hitch bar under sweeper housing as shown in figure 3.
2. Secure hitch bar with two 3/8" x 1" hex bolts and 3/8" lock nuts. See figure 3. **Do not tighten at this time.**

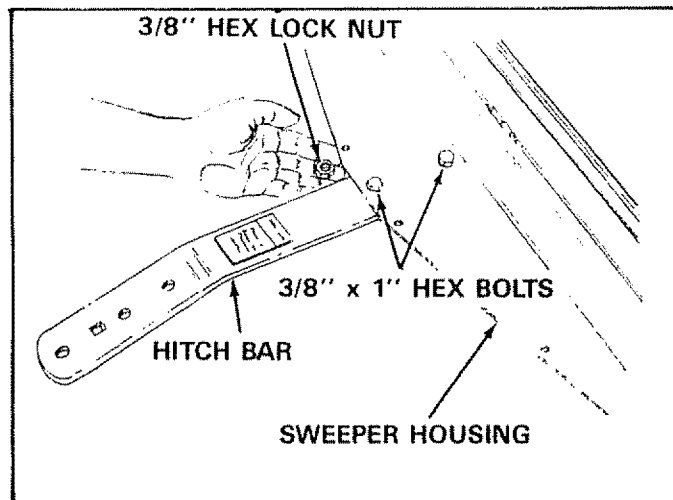


FIGURE 3



NOTE

Before assembling the hitch bracket or hitch pin bracket to the hitch bar refer to figures 4, 7 and page 10 to determine which position is required for your Sears riding mower or tractor.

3. Assemble the hitch bracket to hitch bar with one 3/8" x 1" hex bolt (in the front hole) and 3/8" hex lock nut. **Do not tighten at this time.** See figure 4.
4. Assemble the hitch bracket with one 3/8" x 1-1/2" hex bolt (in the back hole), large flat washer and 3/8" hex lock nut. (**Do not tighten at this time.**) See figures 4 and 5.

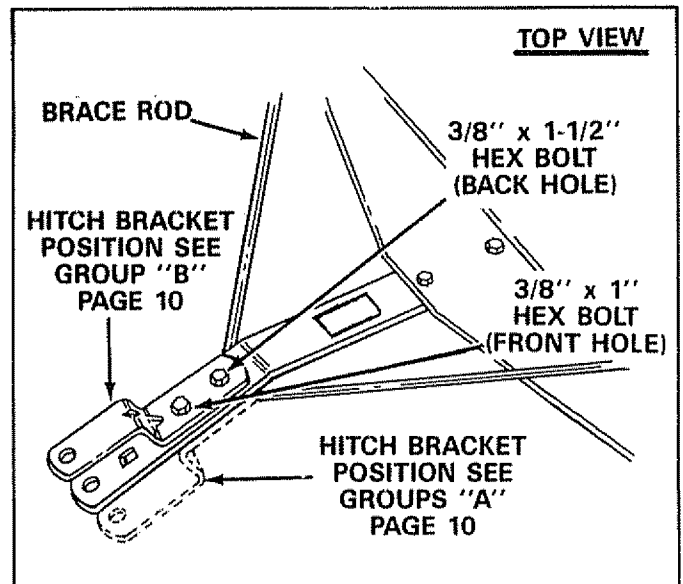


FIGURE 4

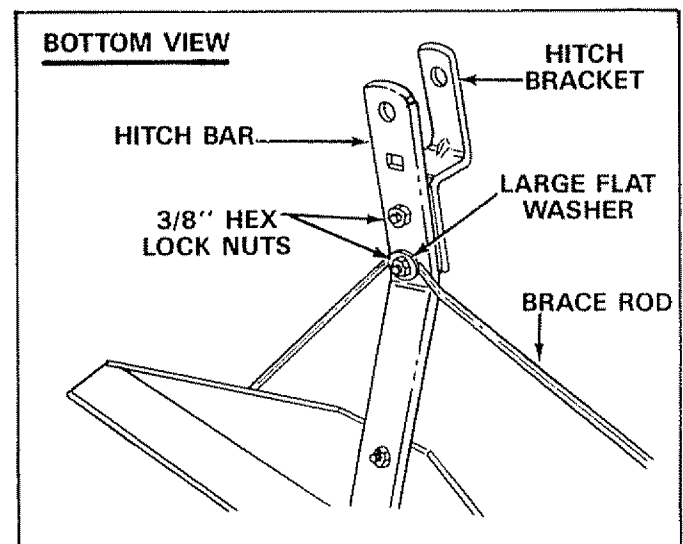
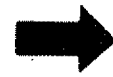


FIGURE 5



NOTE

Cut, the plastic tie down holding height adjustment lever.

5. Assemble the two bag mount arms and top ends of brace rod. See figure 6. Assemble the top hole in arms to sweeper housing using two 3/8" x 3/4" hex bolts and 3/8" lock nuts. The notched side of mount arms face upward and mount on the inside of housing. See figure 6. Assemble the brace rod under hitch bar and large washer in back hole of hitch bracket, then assemble brace rod ends to bottom holes in arms and sweeper housing, using two 3/8" x 1-1/4" bolts, 3/8" flat washers and 3/8" hex lock nuts. See figures 5 and 6. **Do not tighten as this time.**

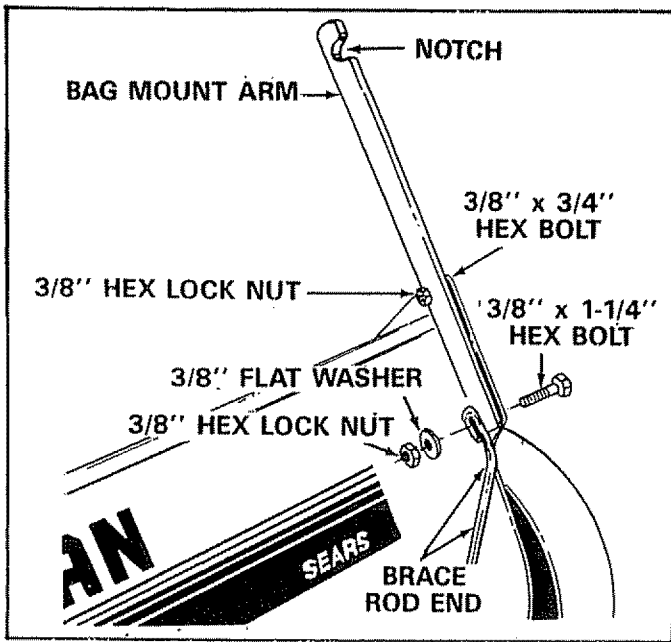


FIGURE 6

6. Pull brace rod up tight under large flat washer and hold while tightening the two bottom bag mount arm bolts assembled in step 5. **NOW TIGHTEN ALL BOLTS ASSEMBLED IN STEPS 2, 3, 4 and 5.**
7. Assemble the hitch pin, spring and 3/8" flatwasher to the hitch pin bracket with one 1/8" x 3/4" cotter pin. See figure 7.
8. Assemble the hitch pin bracket and two 1" dia x 3/4" long spacers to hitch bar with one 3/8" x 1" carriage bolt and 3/8" hex lock nut. See figure 7. See page 10 for adjustment before connecting lawnsweeper to your Sears riding mower or tractor.

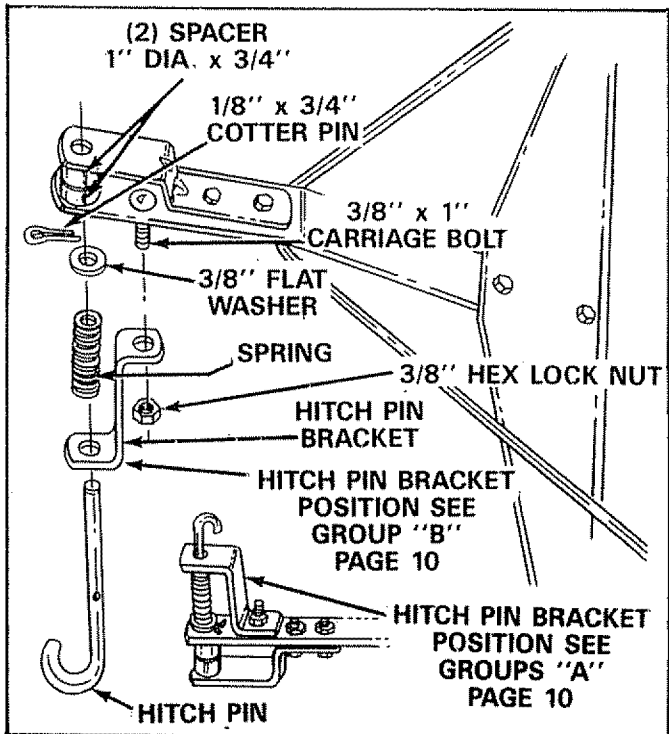


FIGURE 7

9. Assemble the height adjustment strap (hole end) to the sweeper housing. See figure 8. Place 5/16" x 3/4" carriage bolt through the square hole in right hand side of sweeper housing. Next place 3/8" flat washer next to housing, then spacer into large hole on strap and over end of carriage bolt. Secure with 5/16" flat washer, 5/16" lock washer and 5/16" hex nut. See figure 8.

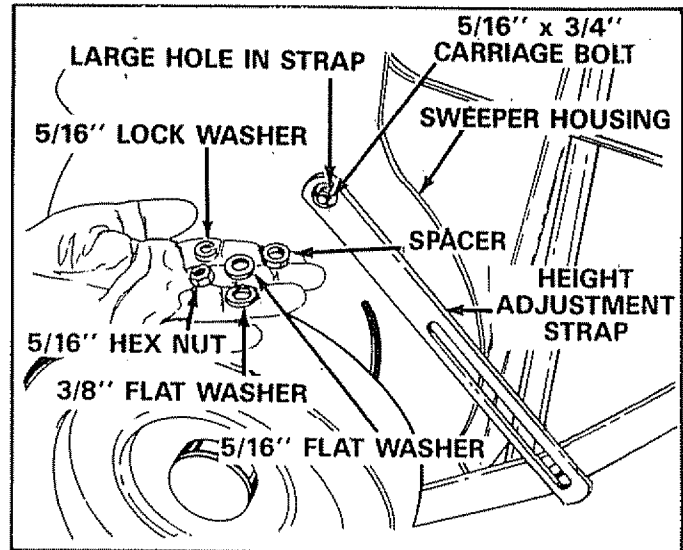


FIGURE 8

10. Assemble other end of height adjustment strap to height adjustment handle. See figure 9. Place slot on strap in line with square hole in height adjustment handle. Secure strap with 5/16" x 3/4" carriage bolt, 5/16" flat washer and hand knob. See figure 9. **NOTE: Lightly coat slot with grease for ease of adjustment.**

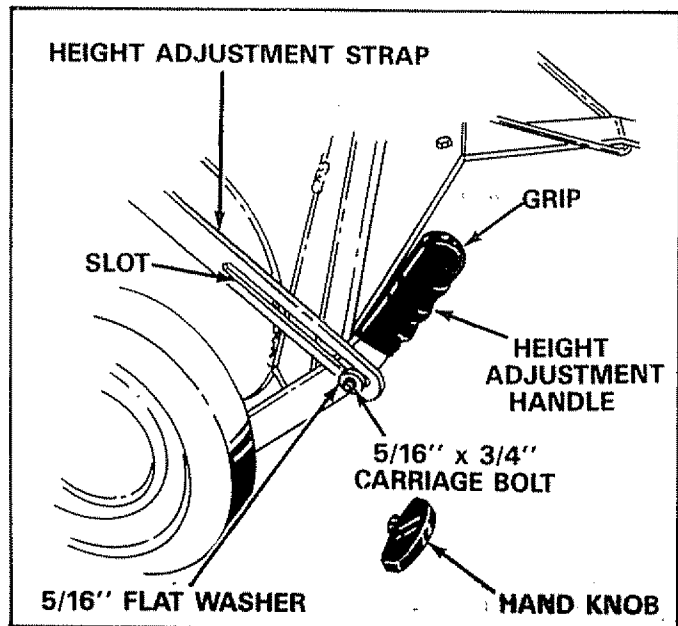


FIGURE 9

11. Assemble the grip, with finger knobs as shown, to the height adjustment handle. See figure 9.

ASSEMBLY INSTRUCTIONS FOR HOPPER BAG

Refer to carton contents figure on page 2 and figure 2 on page 3 for hardware needed to assemble hopper bag. See page 2 to identify both upper and lower hopper tubes.

1. Insert the left hand upper hopper tube through the hopper bag stitched flaps, **starting at the center cut out** in the top of the hopper bag. See figures 10, 11 and 12. Repeat for the right hand upper hopper tube.

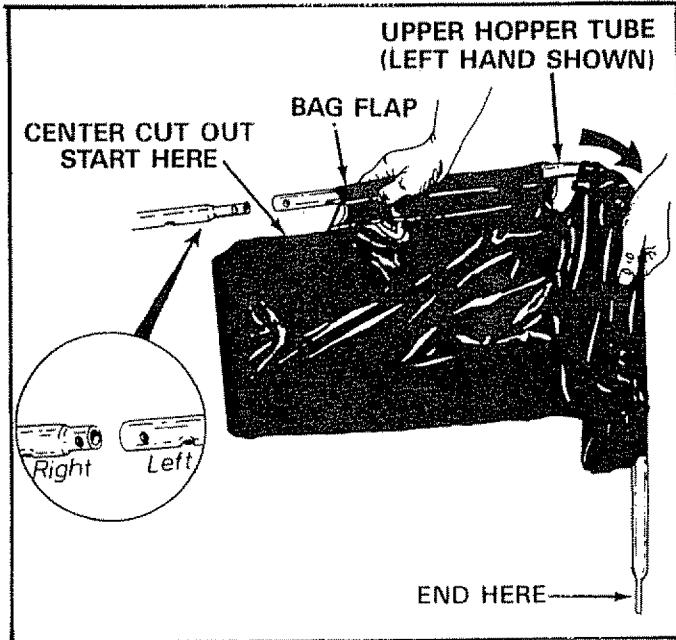


FIGURE 10

2. Slide the two upper hopper tubes together, as shown in figure 11. Line up the center holes.

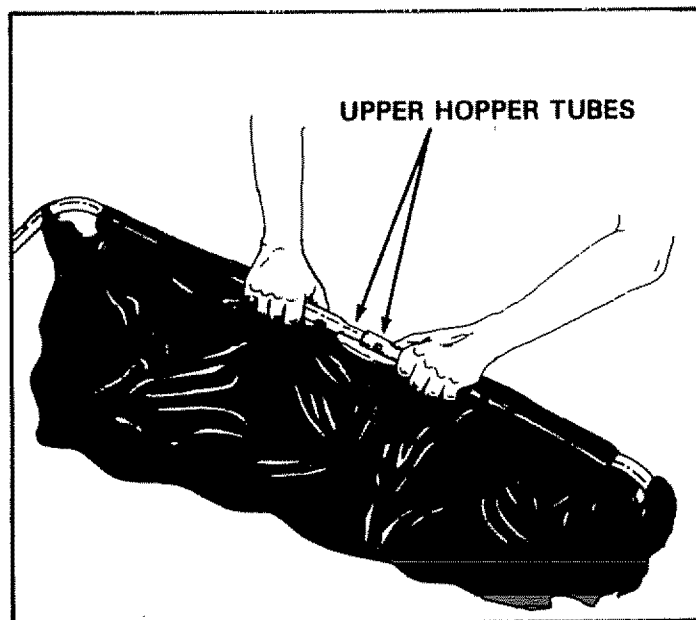


FIGURE 11

3. Secure the upper tubes with 1/4" x 1" curved head bolt and hex lock nut. See figure 12.

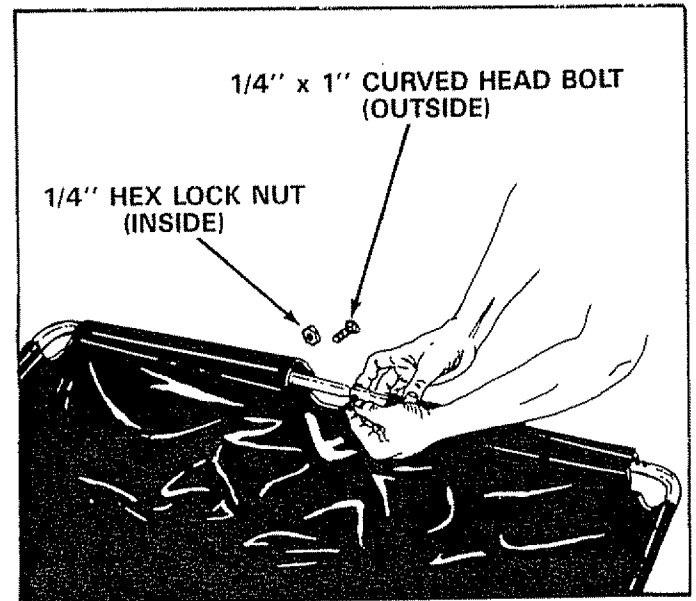


FIGURE 12

4. Assemble the two lower hopper tubes as shown in figure 13. Secure with 1/4" x 1" curved head bolt and 1/4" hex lock nut. See figure 13.

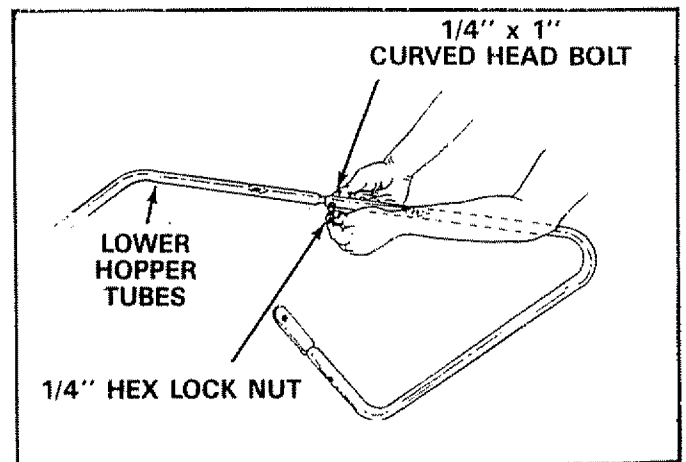


FIGURE 13

- Place assembled lower hopper tubes into bottom of hopper bag as shown in figure 14.
- Assemble the upper and lower hopper tube ends together with two 3/8" x 3/4" hex bolts, (inside) and 3/8" hex lock nuts (outside). See figure 14. Do not overtighten to allow for pivot.

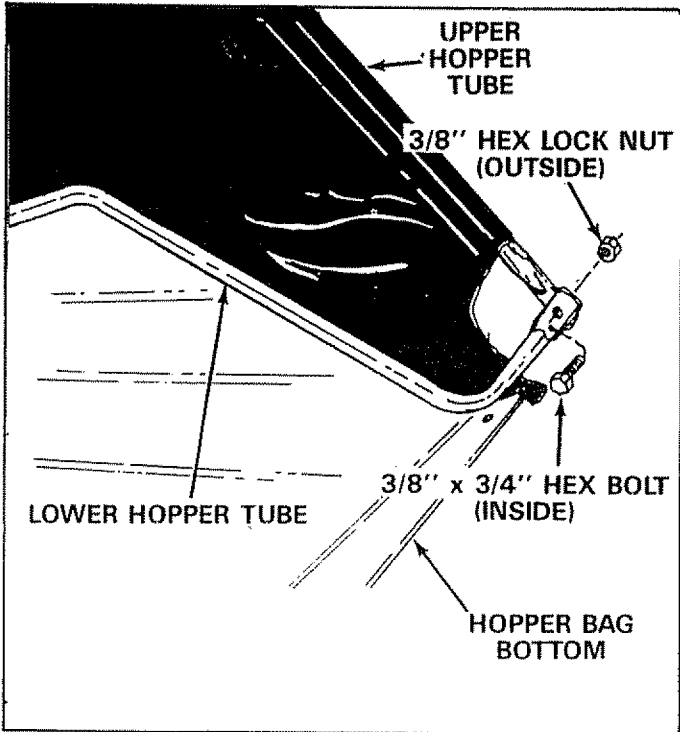


FIGURE 14

- Assemble the bag frame strap (bottom) and bag retainer (top) to the front edge of bag bottom. Place the bag retainer on top and frame strap on bottom. Secure with six #10 x 5/8" slotted screws, and #10-32 hex lock nuts. See figure 15.

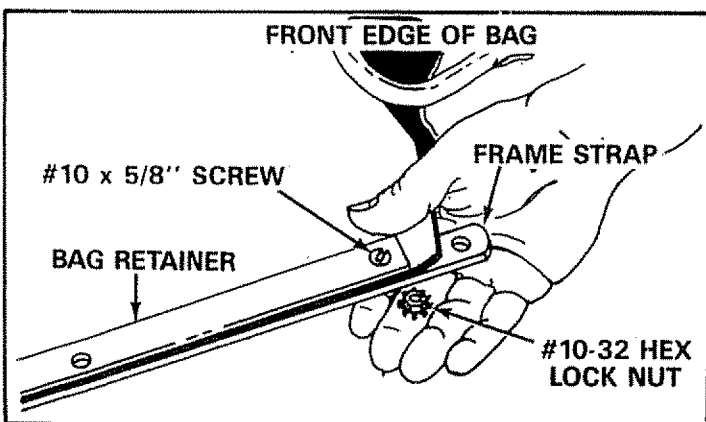


FIGURE 15

- Assemble the frame strap to the lower hopper frame. Secure with 1/4" x 1-1/4" hex bolts and 1/4" lock nuts. See figure 16.

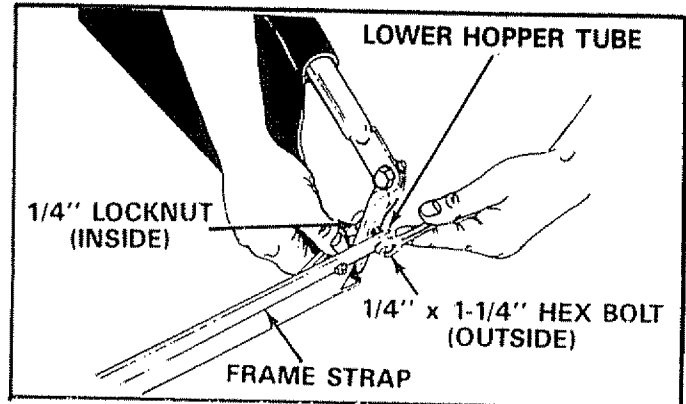


FIGURE 16

- Secure the bag corners over lower hopper tube by snapping the flap to bag bottom on both sides. See figure 17.

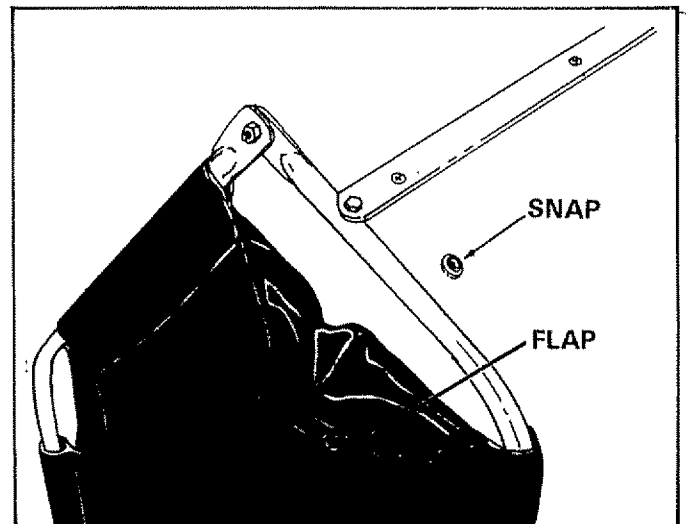


FIGURE 17

NOTE

RODS ARE SPRING STEEL AND REQUIRE BENDING OR BOWING AS SHOWN BELOW IN FIGURE 18. DO NOT OVER BEND AND LOSE BAG SUPPORT TENSION.

10. Assemble the two hopper support rods as shown in figure 18. Place top end of rod into hole in upper tube and bend rod outwards and snap bottom end of rod into hole in bottom tube.

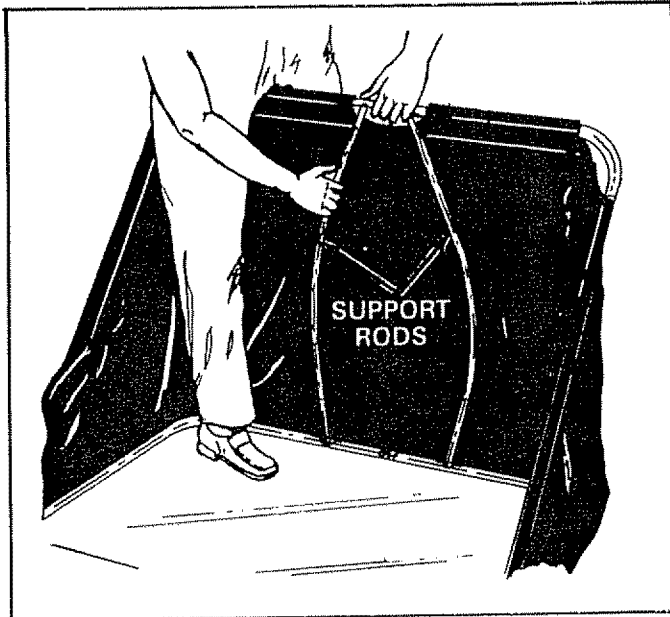


FIGURE 18

11. Locate hole along side of upper hopper tubes and pierce a hole through the bag aligned with the hole in the tube. See figure 19.

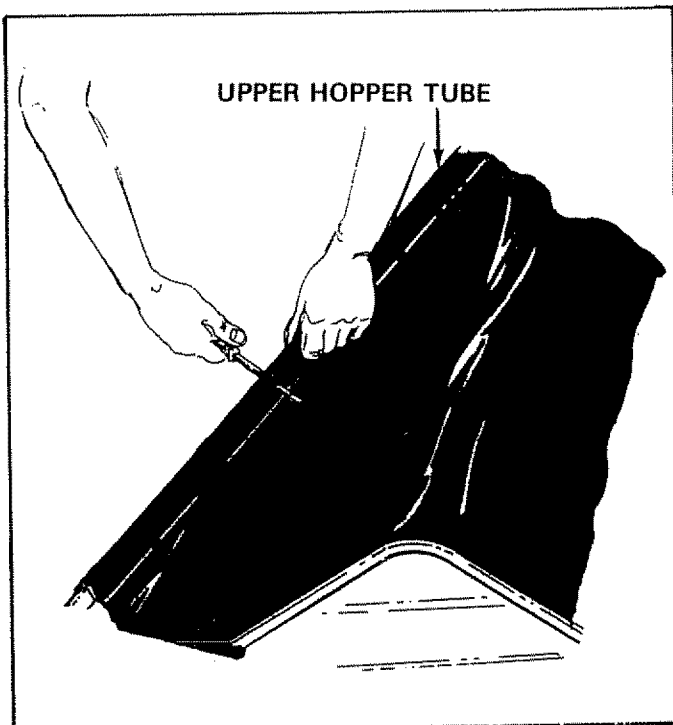


FIGURE 19

12. Slide pivot rod through hole in side of upper hopper tube that you just pierced in step 11. Slide one mounting clamp, two bag retainer clevises, and one more mounting clamp onto rod before rod is pushed into other hole on opposite side of bag. See figure 20.

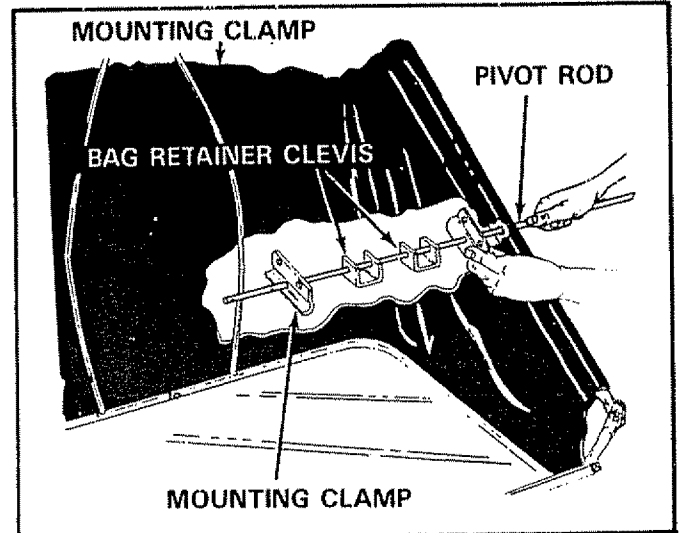


FIGURE 20

13. Secure the bag retainer clevis on each side of bag with 1/8" x 3/4" cotter pins. See figure 21. Wrap cotter pin around pivot rod as shown in figure 21

NOTE

Bag retainers must pivot freely

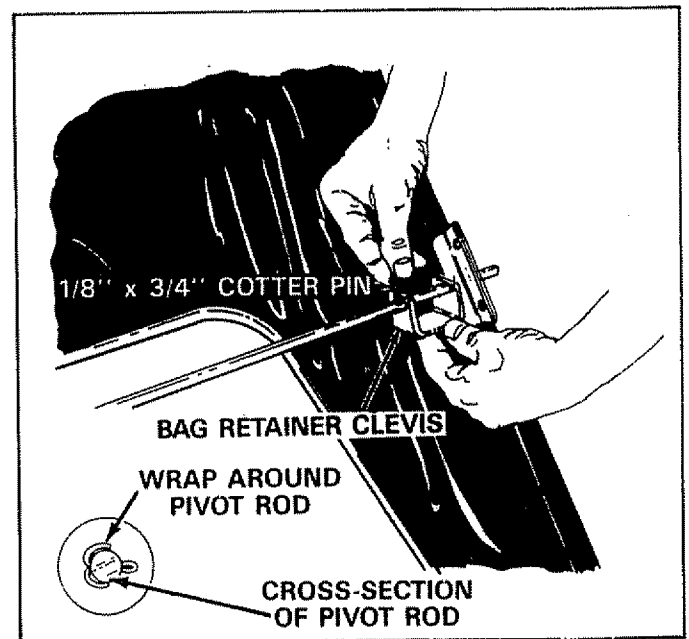


FIGURE 21

- Assemble the two remaining hopper mounting clamps to the outside of bag frame with 5/16" x 3/4" hex bolts and 5/16" hex lock nuts. See figure 22. Tighten securely.

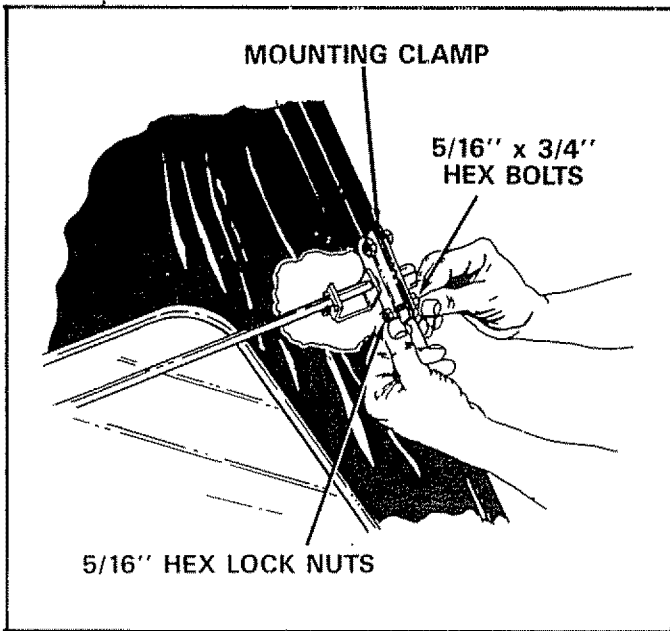


FIGURE 22

- Secure the rope to the top center of hopper bag frame as shown in figure 23.

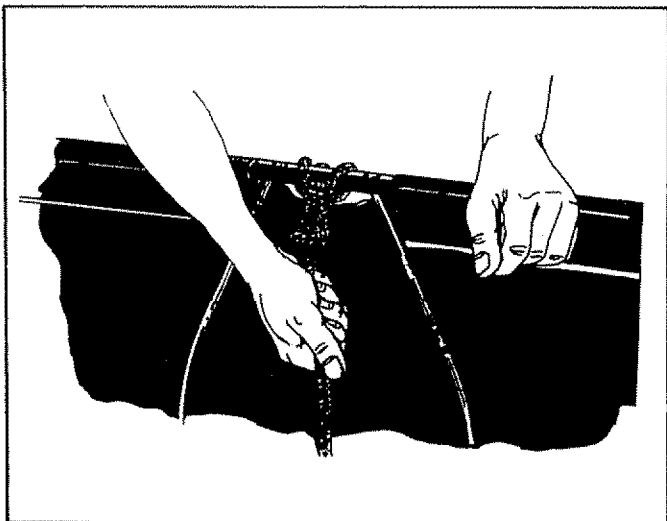


FIGURE 23

- Assemble the wind screen over the top of hopper bag frame by simply hooking the top corner loops and pull the bottom loops down over the ends of the pivot rod. See figure 24.

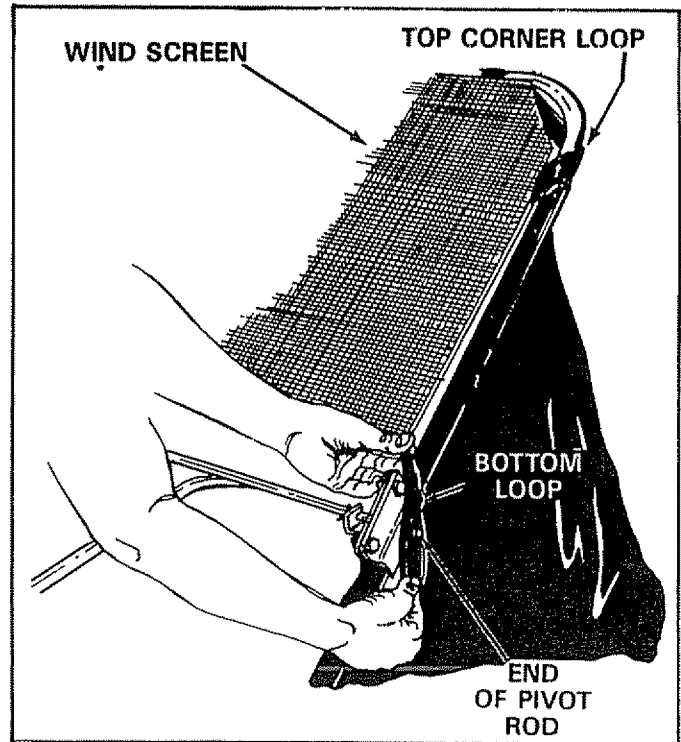


FIGURE 24

- To assemble the hopper bag frame to the sweeper, simply hook the pivot rod into the notches in mounting arms. Bag retainers must pivot freely to lock in position. See figure 25.
- To remove the hopper bag frame from the sweeper, simply lift up on the bag retainers and lift off hopper bag. See figure 25

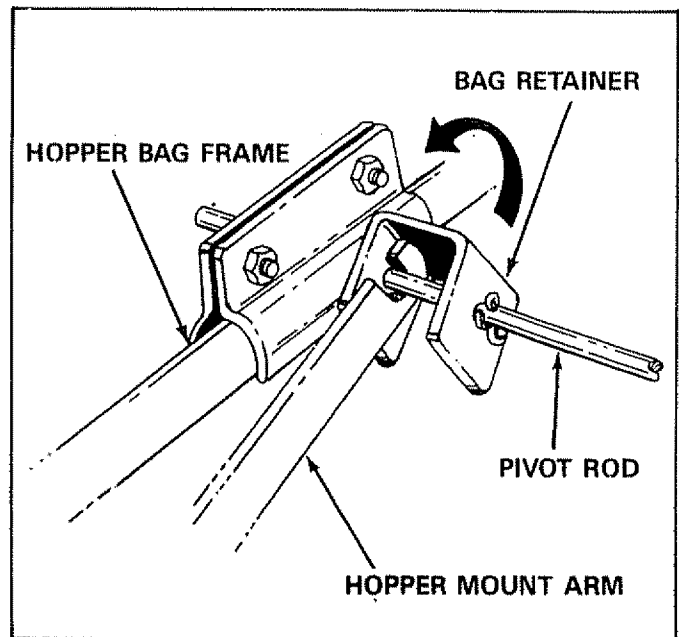


FIGURE 25



IMPORTANT

TO ASSURE BEST PERFORMANCE OF YOUR NEW SWEEPER, THE FOLLOWING INSTRUCTIONS MUST BE READ CAREFULLY. SEE FIGURE 26. YOU MUST SET UP SWEEPER TO THE TOWING VEHICLE, SO BOTTOM OF BAG FRAME IS APPROXIMATELY LEVEL ON FLAT SURFACE, SUCH AS DRIVE OR WALK. THIS SHOULD KEEP BAG OFF THE GROUND APPROXIMATELY 5" TO 7".

LAWN TRACTORS IN TODAY'S MARKET VARY IN HEIGHT FROM GROUND TO HITCH APPROXIMATELY 8" TO 13" TO OBTAIN THE CORRECT SWEEPER BAG LEVEL, SEE FIGURE 26. THERE ARE EIGHT DIFFERENT SPACER POSITIONS AVAILABLE. SEE GROUPS A AND B.

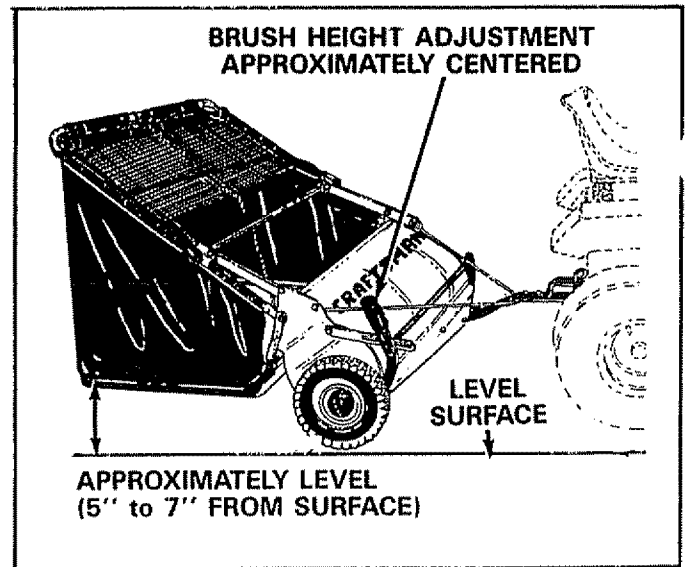
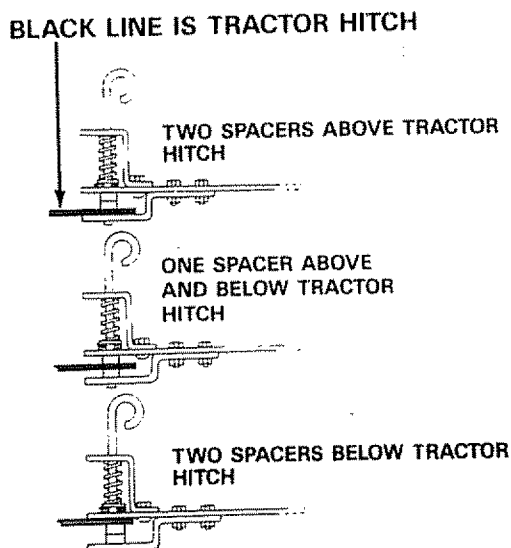
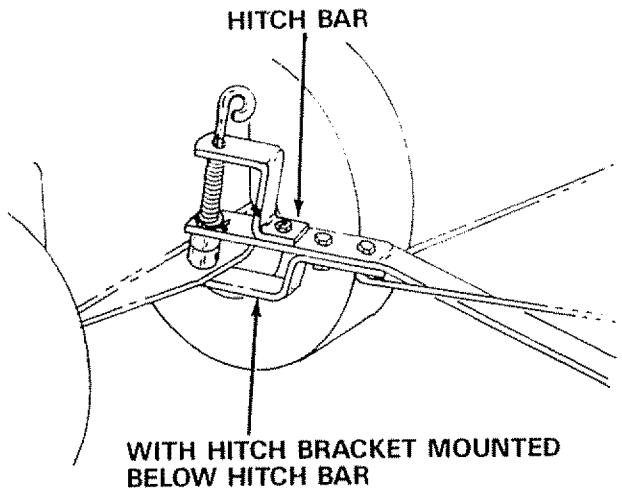
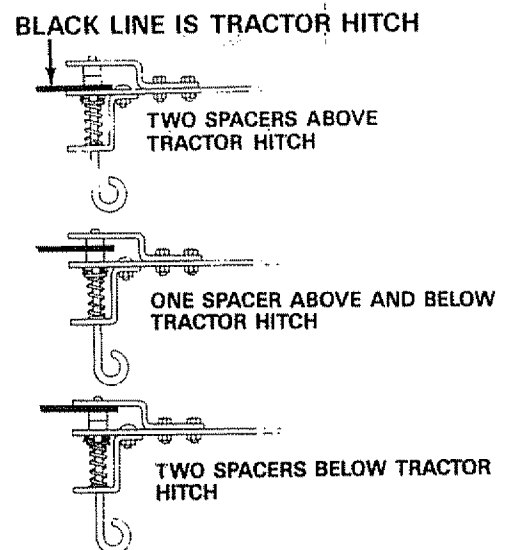
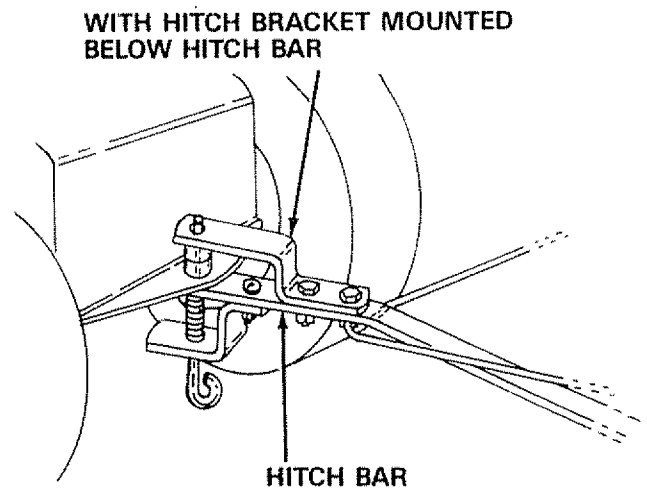


FIGURE 26

GROUP "A" - For vehicles with 8" to 10" ground clearance to hitch.



GROUP "B" - For vehicles with 10" to 13" ground clearance to hitch.



OPERATION

Your sweeper is a precision piece of equipment. Engineering skill and experience have been combined to provide reasonable safety and efficiency. However, as with any type of mechanical equipment, carelessness or error on the part of the operator can result in damage to your equipment. Therefore, exercise care at all times and do not subject your lawnsweeper to misuse.

SWEEPING SPEED

Try sweeping at different speeds to find the one most suited to your conditions for maximum hopper bag fill.

BRUSH HEIGHT ADJUSTMENT

To adjust your sweeper brushes to the best operating height, loosen the adjustment knob and push down on height adjustment lever to raise the brush. See figure 27. Best adjustment is when brush setting is 1/2" down into grass. Always mow the grass to an even height before sweeping.

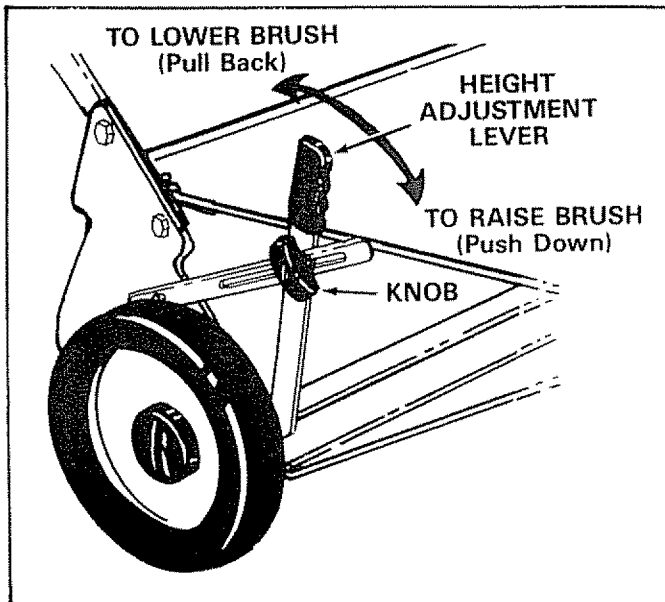


FIGURE 27

DUMPING OF SWEEPER

Your sweeper can be dumped easily without getting off of the rider or tractor. Simply pull rope forward to dump. See figure 28. **SEE CAUTION NOTE A AND B.**

Always dump hopper after each use. Damp or wet grass and leaves will cause damage to hopper if stored for along period of time.



CAUTION

- A. Do Not fasten rope to pulling vehicle where it might become entangled with driving wheels or rotating parts.

- B. Do Not drive or dump the sweeper too close to a fire as the brushes and bag can be destroyed by excessive heat or flame.

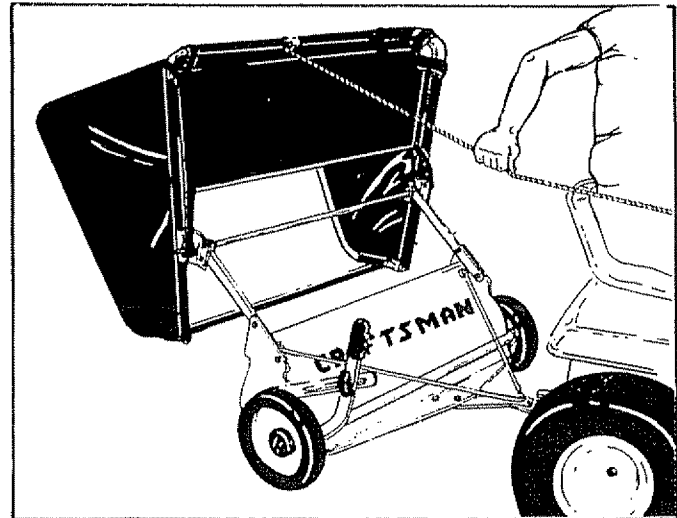


FIGURE 28

STORAGE

The bag may be collapsed for storage, Remove the two support rods and fold bag down.

CUSTOMER RESPONSIBILITIES

The bearings in the sweeper have been prelubricated at the factory; however, it is recommended that a few drops of light oil should be added to the brush shaft bearings twice a year. Also, the wheels should be removed every two years to clean sprockets, chain and gears. After cleaning apply an even coat of light grease. See figures 29 through 31. **NOTE: Do not overtighten wheel bolt and nut upon reassembly to sweeper housing. Wheel must be free to move in slot with height adjustment. See figure 29 and 30.**

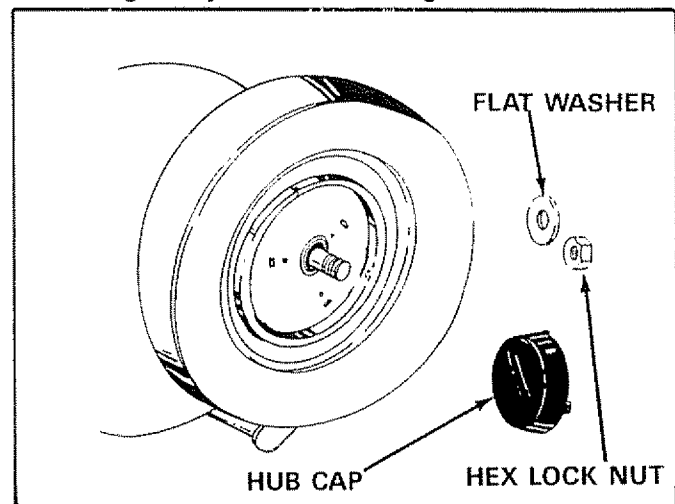


FIGURE 29



To remove wheel just pop off hub cap with a screw driver and remove hex bolt, nut and two flatwashers. See figures 29 and 30.

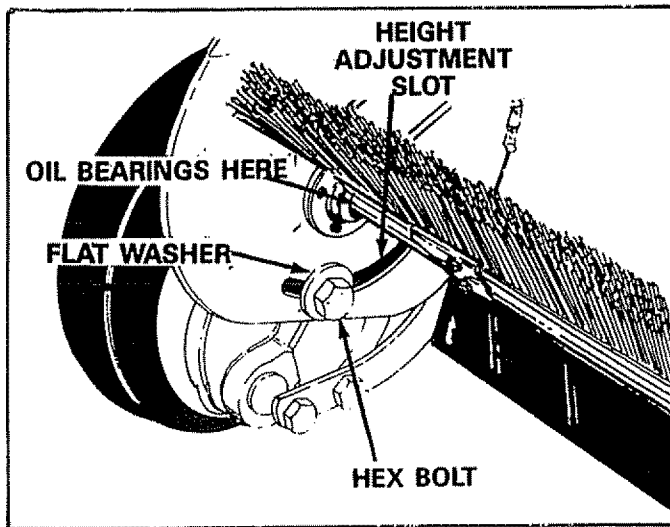


FIGURE 30

WHEEL GEARS/PAWL SERVICE

1. To service wheel gears, Do Not Remove both wheels at the same time. Remove one wheel at a time to prevent use of left hand parts on right hand side. When removing gears/sprockets and chain make notes on position of all washers and snap rings.
2. Cover must be removed to service chain, sprockets and pawl. (It is not necessary to remove cover if you are only cleaning and oiling the chain). See figures 31 and 32.
3. Removal and reassembly of chain requires that gear and sprockets be held in position with chain and slipped over both shafts. See figure 31.
4. The pawl, inside ratchet sprocket, has a curved end (side) and a flat end (side). See figure 31. When re-assembling ratchet sprocket and pawl, fill the inside with grease. Re-assemble the wheel and turn wheel, if the brushes drive (rotate) in both directions, the pawl is assembled incorrectly, remove and flip pawl over. If the brushes drive (rotate) in one direction the pawl is assembled correctly.

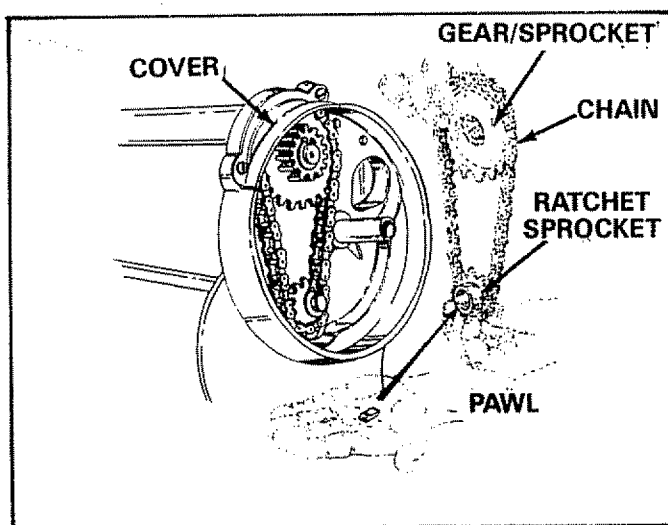


FIGURE 31

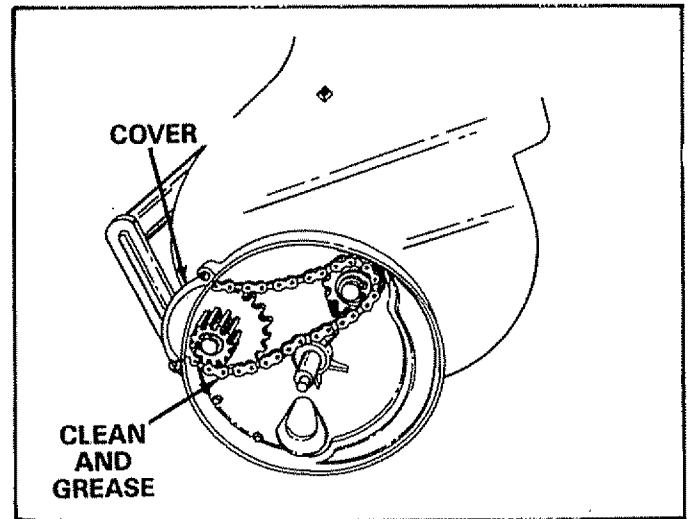


FIGURE 32

BRUSH REPLACEMENT

1. Remove the hopper bag from lawnsweeper.
2. Brush replacement should be done one brush at a time.
3. Tip the sweeper back on housing for ease of brush replacement. Do not remove hex bolts from double brush retainers through brush shaft.
4. Loosen hex bolts and hex lock nuts from single brush retainers. See figure 33. Slide brush out of retainers, making note of over-lap bristles position.
5. Install new brush, making sure over-lap bristles are positioned the same as before and as shown in figure 33 (end view of brush).

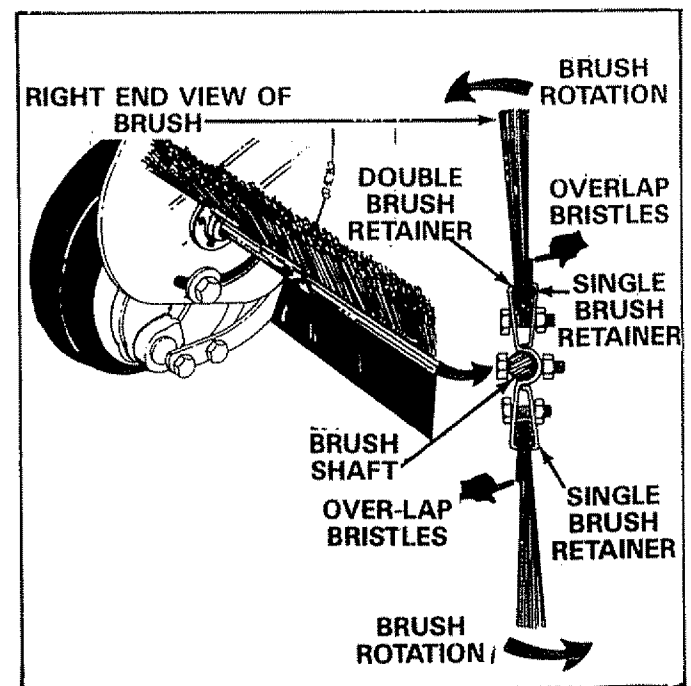
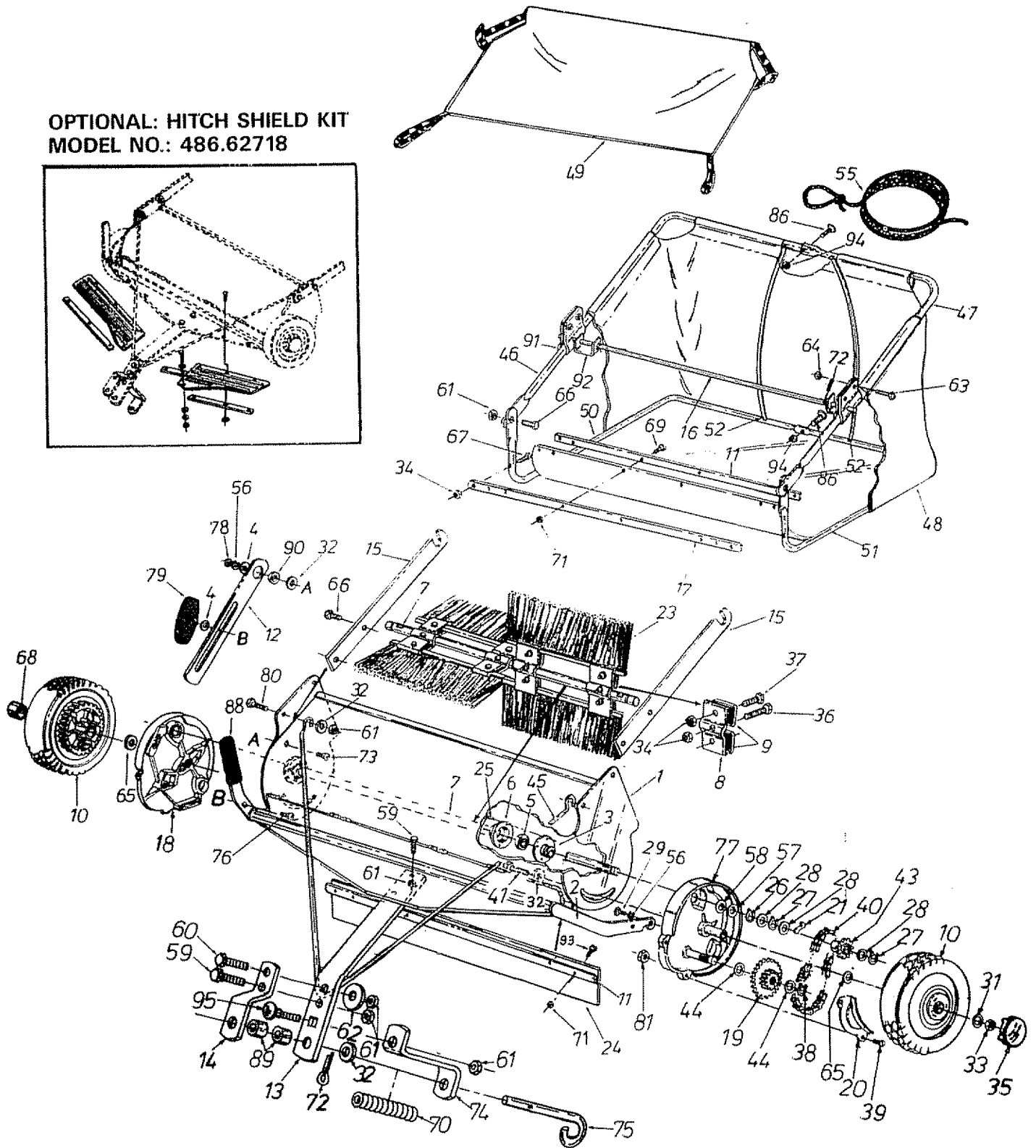
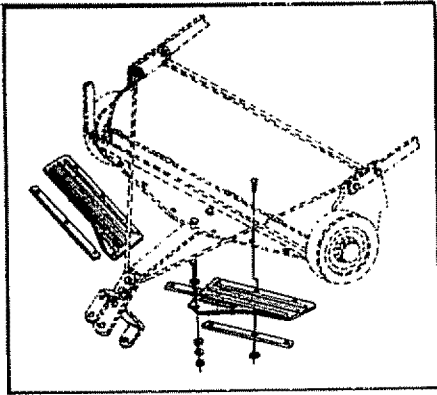


FIGURE 33

NOTES

REPAIR PARTS FOR MODEL 486.240383 38" LAWNSWEEPER

OPTIONAL: HITCH SHIELD KIT
MODEL NO.: 486.62718



REPAIR PARTS FOR MODEL 486.240383 38" LAWN SWEEPER

REF. NO.	PART NO.	QTY.	DESCRIPTION	REF. NO.	PART NO.	QTY.	DESCRIPTION
1	62500	1	Sweeper Housing Ass'y.	49	43937	1	Wind Screen
2	62801	1	Adjustment Rod Ass'y.	50	43968	1	Lower Hopper Tube—R.H.
3	62489	2	Brush Bushing Ass'y.	51	43969	1	Lower Hopper Tube—L.H.
4	43081	2	Washer, 5/16" Std.	52	43938	2	Hopper Support Rod 34" Lg.
5	1652-13	2	Ball Bearing .5916 I.D.				
6	1629-56	2	Bearing Retainer	55	43737	1	Hopper Rope
7	23574	1	Brush Shaft—38"	56	43086	5	Spring Lock Washer 5/16"
8	23580	4	Brush Retainer—Double	57	1540-31	2	Fl.-Washer .78x1.25 x .062
9	23581	8	Brush Retainer—Single	58	1540-107	2	Fl.-Washer .78x1.25 x .031
10	43101	2	Wheel Ass'y. Complete	59	43001	3	Hex Bolt 3/8-16 x 1" Lg. (Gr.5)
11	23343	2	Skirt & Bag Retainer-38"				
12	23387	1	Height Adjustment Strap	60	43062	1	Hex Bolt 3/8-16x1-1/2" Lg.*
13	23349	1	Hitch Bar	61	43082	11	Hex Lock Nut 3/8-16 Thd.
14	23014	1	Hitch Bracket	62	R19172410	1	Fl.-Washer 17-32 x 1-1/2 x 10 Ga.
15	23595	2	Hopper Mount Arm				
16	23601	1	Hopper Bag Pivot Rod	63	43182	4	Hex Bolt 5/16 x 3/4" Lg.*
17	23352	1	Bag Frame Strap—38"	64	43064	4	Hex Lock Nut 5/16-18 Thd.
18	62792	1	Housing Wheel Drive. Ass'y. (R.H.)	65	44008	2	Fl.-Washer .78 I.D.
				66	43407	4	Hex Bolt 3/8-16 x 3/4" Lg. (Gr.5)
19	62490	2	Gear Sprocket Sub. Ass'y.				
20	23573	2	Dust Cover	67	1509-90	2	Hex Bolt 1/4-20x1-1/4" Lg.*
21	1671-1	2	Pawl	68	45088	2	Wheel Bearing
23	43904	4	Sweeper Brush	69	43346	6	Slotted Trus Hd. Scr. #10-32 x 5/8" Lg.*
24	43673	1	Skirt				
25	C-9M5732	8	Pop Rivet	70	44230	1	Hitch Pin Spring
26	43655	2	Retaining Ring—3/4"	71	43662	12	Hex Lock Nut #10-32 Thd.*
27	1650-21	4	Retaining Ring-.594" I.D.	72	0142-000	3	Cotter Pin 1/8"x3/4" Lg.*
28	44007	6	Shim Wash. .596 x 1.125 x .025	73	43080	1	Carriage Bolt 5/16-18 x 3/4" Lg.*
29	43182	4	Hex Bolt 5/16 x 3/4" Lg.*	74	23684	1	Hitch Pin Bracket
31	0141-000	2	Fl.-Washer .38x1.25x.06	75	44231	1	Hitch Pin
32	43070	6	Washer, 3/8" Std.	76	43080	1	Carriage Bolt 5/16-18 x 3/4" Lg.*
33	1038	2	Hex Lock Nut 3/8-24. Thd.	77	62791	1	Housing Wheel Drive Ass'y. (LH)
34	43013	14	Hex Lock Nut 1/4-20 Thd.	78	43083	1	Hex Nut 5/16-18 Thd.*
35	2674-32	2	Hub Cap	79	43720	1	Knob, Wing 5/16-18 Thd.
36	43661	4	Hex Bolt 1/4-20x1.0" Lg.*	80	43087	2	Hex Bolt 3/8-16 x 1-1/4"
37	43012	8	Hex Bolt 1/4-20 x 3/4" Lg.* (Gr. 5)	81	1534-8	4	Hex Locknut #10-32 Thd.*
				86	43978	2	Curved Head Bolt 1/4-20 x 1" Lg.
38	43894	2	Retaining Ring—1/2"				
39	44004	4	Pan Hd. Screw #10-32 x 1" Lg.	88	43943	1	Grip
				89	23368	2	Hitch Adjustment Tube
40	44542	2	Roller Chain 3/8 x 1/2-34	90	23400	1	Spacer 13/32 x 5/8 x 3/16
41	43932	2	Hex Bolt 3/8-24 x 3-1/4" Lg. (Gr. 5)	91	23331	4	Hopper Mounting Clamps
				92	23354	2	Bag Retainer Clevis
42	43890	1	Ratcher Sprocket R.H.- 11 T. (Not Shown)	93	1095	6	Slotted Truss Hd. Scr. #10-32 x 1/2" Lg.*
43	43889	1	Ratcher Sprocket L.H.- 11 T.	94	43013	2	Nut, Lock Hex 1/4-20 Thd.*
44	44137	4	Washer .51 x .990 x .02	95	43350	1	Carriage Bolt 3/8"-16 x 1" Lg.*
45	43958	1	Brace Rod				
46	43966	1	Upper Hopper Tube-R.H.		44623		Owner's Manual
47	43967	1	Upper Hopper Tube-L.H.		62718	1	Kit, Shield Ass'y.
48	43936	1	Hopper Bag				

*Common hardware may be purchased locally.

SEARS

owners manual

Model No.
486.240383

How to Order
Repair Parts

38" HIGH PERFORMANCE CRAFTSMAN LAWNSEWER

Always mention the Model Number when requesting service or repair parts for your Lawnsweeper.

All parts listed herein may be ordered from any Sears Service Center and most Sears stores.

WHEN ORDERING REPAIR PARTS, ALWAYS GIVE THE FOLLOWING INFORMATION:

- THE PART NUMBER
- THE PART DESCRIPTION
- THE MODEL NUMBER
- THE NAME OF MERCHANDISE

If the parts you need are not stocked locally, your order will be electronically transmitted to a Sears Repair Parts Distribution Center for handling.

LIMITED TWO YEAR WARRANTY ON CRAFTSMAN LAWNSEWER

For two years from date of purchase, when this Lawnsweeper is maintained and lubricated according to the operating and maintenance instructions in the owner's manual, Sears will repair free of charge any defect in material or workmanship.

This warranty does not cover:

- repairs necessary because of operator abuse or negligence, including the failure to maintain the equipment according to instructions contained in the owner's manual; and
- Lawnsweeper used for commercial or rental purposes.

WARRANTY SERVICE IS AVAILABLE BY RETURNING IT TO THE NEAREST SEARS SERVICE CENTER/DEPARTMENT IN THE UNITED STATES.

This warranty applies only while this product is in use in the United States.

This warranty gives you specific legal rights, and you may also have other rights which vary from state to state.

Sears, Roebuck and Co. D/817WA, Hoffman Estates, IL. 60179

Sears, Roebuck and Co., Hoffman Estates, IL. 60179 U.S.A.