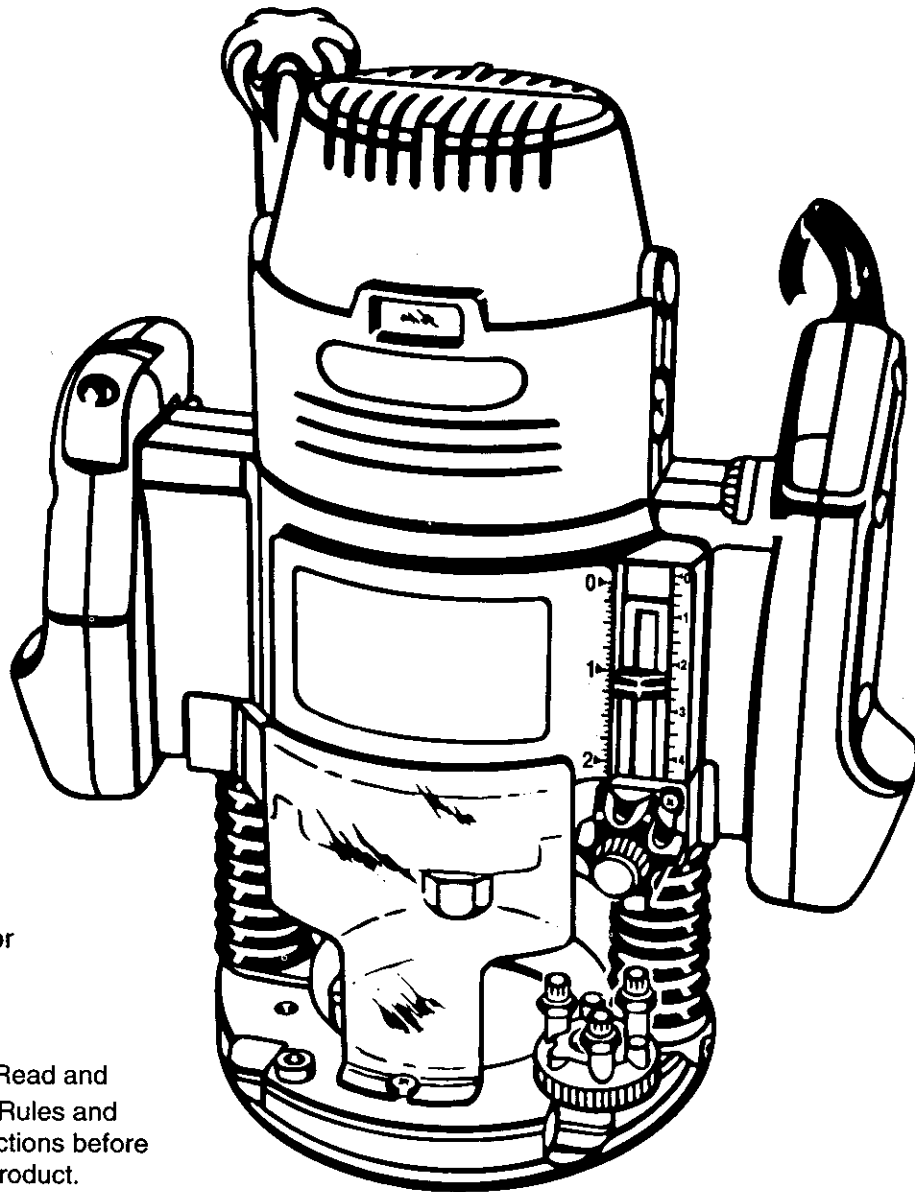


# Operator's Manual

## **CRAFTSMAN**

### Industrial Electronic Plunge Router Double Insulated

Model No.  
315.268350



Save this manual for  
future reference

**⚠ CAUTION:** Read and  
follow all Safety Rules and  
Operating Instructions before  
first use of this product.

Customer Help Line: 1-800-932-3188

Sears, Roebuck and Co., 3333 Beverly Rd. Hoffman Estates, IL 60179 USA  
Visit the Craftsman web page: [www.Sears.com/craftsman](http://www.Sears.com/craftsman)

- Warranty
- Introduction
- Unpacking
- Adjustments
- Operation
- Maintenance
- Repair Parts



# RULES FOR SAFE OPERATION

**DOUBLE INSULATION** is a safety concept in electric power tools which eliminates the need for the usual three wire grounded power cord and grounded supply system. Wherever there is electric current in the tool there are two complete sets of insulation to protect the user. All exposed metal parts are isolated from internal metal motor components with protecting insulation.



**WARNING:** The double insulated system is intended to protect the user from shock resulting from a break in the tool's internal wiring. Observe all normal safety precautions related to avoiding electrical shock.

## READ ALL INSTRUCTIONS

- **KNOW YOUR POWER TOOL.** Read operator's manual carefully. Learn its applications and limitations as well as the specific potential hazards related to this tool.
- **GUARD AGAINST ELECTRICAL SHOCK** by preventing body contact with grounded surfaces. For example: Pipes, radiators, ranges, refrigerator enclosures.
- **KEEP GUARDS IN PLACE** and in working order.
- **KEEP WORK AREA CLEAN.** Cluttered areas and benches invite accidents.
- **AVOID DANGEROUS ENVIRONMENT.** Don't use power tool in damp or wet locations or expose to rain. Keep work area well lit.
- **KEEP CHILDREN AND VISITORS AWAY.** All visitors should wear safety glasses and be kept a safe distance from work area. Do not let visitors contact tool or extension cord.
- **STORE IDLE TOOLS.** When not in use tools should be stored in a dry and high or locked-up place - out of the reach of children.
- **DON'T FORCE TOOL.** It will do the job better and safer at the rate for which it was designed.
- **USE RIGHT TOOL.** Don't force small tool or attachment to do the job of a heavy duty tool. Don't use tool for purpose not intended - for example - A circular saw should never be used for cutting tree limbs or logs.
- **WEAR PROPER APPAREL.** Do not wear loose clothing or jewelry that can get caught in tool's moving parts and cause personal injury. Rubber

**IMPORTANT** - Servicing of a tool with double insulation requires extreme care and knowledge of the system and should be performed only by a qualified service technician. For service we suggest you return the tool to your nearest Sears Store for repair. Always use original factory replacement parts when servicing.



**WARNING:** Do not attempt to operate this tool until you have read thoroughly and understand completely all instructions, safety rules, etc. contained in this manual. Failure to comply can result in accidents involving fire, electric shock, or serious personal injury. Save operator's manual and review frequently for continuing safe operation, and instructing others who may use this tool.


gloves and non-skid footwear are recommended when working outdoors. Wear protective hair covering to contain long hair and keep it from being drawn into nearby air vents.

- **ALWAYS WEAR SAFETY GLASSES.** Everyday eyeglasses have only impact-resistant lenses; they are **NOT** safety glasses.
- **PROTECT YOUR LUNGS.** Wear a face or dust mask if operation is dusty.
- **PROTECT YOUR HEARING.** Wear hearing protection during extended periods of operation.
- **DON'T ABUSE CORD.** Never carry tool by cord or yank it to disconnect from receptacle. Keep cord from heat, oil and sharp edges.
- **SECURE WORK.** Use clamps or a vise to hold work. Both hands are needed to operate the tool.
- **DON'T OVERREACH.** Keep proper footing and balance at all times. Do not use on a ladder or unstable support.
- **MAINTAIN TOOLS WITH CARE.** Keep tools sharp at all times, and clean for best and safest performance. Follow instructions for lubricating and changing accessories.
- **DISCONNECT TOOLS.** When not in use, before servicing, or when changing attachments, blades, bits, cutters, etc., all tools should be disconnected from power supply.
- **REMOVE ADJUSTING KEYS AND WRENCHES.** Form habit of checking to see that keys and adjusting wrenches are removed from tool before turning it on.



**Look for this symbol to point out important safety precautions. It means attention!!! Your safety is involved.**

# RULES FOR SAFE OPERATION

- **AVOID ACCIDENTAL STARTING.** Don't carry plugged-in tools with finger on switch. Be sure switch is off when plugging in.
  - **MAKE SURE YOUR EXTENSION CORD IS IN GOOD CONDITION.** When using an extension cord, be sure to use one heavy enough to carry the current your product will draw. An undersized cord will cause a drop in line voltage resulting in loss of power and overheating. A wire gage size (A.W.G.) of at least 14 is recommended for an extension cord 25 feet or less in length. A cord exceeding 25 feet is not recommended. If in doubt, use the next heavier gage. The smaller the gage number, the heavier the cord.
  - **OUTDOOR USE EXTENSION CORDS.** When tool is used outdoors, use only extension cords suitable for use outdoors. Outdoor approved cords are marked with the suffix W-A, for example - SJTW-A or SJOW-A.
  - **KEEP CUTTERS CLEAN AND SHARP.** Sharp cutters minimize stalling and kickback.
  - **KEEP HANDS AWAY FROM CUTTING AREA.** Keep hands away from cutters. Do not reach underneath work while cutter is rotating. Do not attempt to remove material while cutter is rotating.
  - **NEVER USE IN AN EXPLOSIVE ATMOSPHERE.** Normal sparking of the motor could ignite fumes.
  - **INSPECT TOOL CORDS PERIODICALLY** and if damaged, have repaired at your nearest Sears Repair Center. Stay constantly aware of cord location.
  - **INSPECT EXTENSION CORDS PERIODICALLY** and replace if damaged.
  - **KEEP HANDLES DRY, CLEAN, AND FREE FROM OIL AND GREASE.** Always use a clean cloth when cleaning. Never use brake fluids, gasoline, petroleum-based products or any strong solvents to clean your tool.
  - **STAY ALERT.** Watch what you are doing and use common sense. Do not operate tool when you are tired. Do not rush.
  - **CHECK DAMAGED PARTS.** Before further use of the tool, a guard or other part that is damaged should be carefully checked to determine that it will operate properly and perform its intended function. Check for alignment of moving parts, binding of moving parts, breakage of parts, mounting, and any other conditions that may affect its operation. A guard or other part that is damaged should be properly repaired or replaced by an authorized service center unless indicated elsewhere in this instruction manual.
  - **DO NOT USE TOOL IF SWITCH DOES NOT TURN IT ON AND OFF.** Have defective switches replaced by an authorized service center.
  - **INSPECT FOR** and remove all nails from lumber before routing.
  - **DRUGS, ALCOHOL, MEDICATION.** Do not operate tool while under the influence of drugs, alcohol, or any medication.
  - **WHEN SERVICING USE ONLY IDENTICAL CRAFTSMAN REPLACEMENT PARTS.**
  - **POLARIZED PLUGS.** To reduce the risk of electric shock, this tool has a polarized plug (one blade is wider than the other). This plug will fit in a polarized outlet only one way. If the plug does not fit fully in the outlet, reverse the plug. If it still does not fit, contact a qualified electrician to install the proper outlet. Do not change the plug in any way.
  - **DO NOT USE TOOL UNDER "BROWN-OUT" OR OTHER LOW VOLTAGE CONDITIONS.** Also, do not use with any device that could cause the power supply voltage to change.
  - **WHEN USING THIS ROUTER WITH A ROUTER TABLE, HELP PREVENT POSSIBLE SERIOUS INJURY BY KEEPING THE CUTTER GUARDED AT ALL TIMES.** Use only router tables, with guards, that have been designed for use on routers that are of this type, size, and weight.
  - **SAVE THESE INSTRUCTIONS.** Review them frequently and use them to instruct others who may use this tool. If you loan someone this tool, loan them these instructions also.
-  **WARNING:** Some dust created by power sanding, sawing, grinding, drilling, and other construction activities contains chemicals known to cause cancer, birth defects or other reproductive harm. Some examples of these chemicals are:
- lead from lead-based paints,
  - crystalline silica from bricks and cement and other masonry products, and
  - arsenic and chromium from chemically-treated lumber.
- Your risk from these exposures varies, depending on how often you do this type of work. To reduce your exposure to these chemicals: work in a well ventilated area, and work with approved safety equipment, such as those dust masks that are specially designed to filter out microscopic particles.

# INTRODUCTION

**CONGRATULATIONS AND THANK YOU FOR BUYING THIS CRAFTSMAN ROUTER.** It has been designed, engineered and manufactured to provide you with Sears high standard of dependability, ease of operation, and operator safety. Properly cared for, it will give you years of rugged, trouble-free performance.



**CAUTION:** Carefully read through this entire operator's manual before using your new router. Pay close attention to the Rules For Safe Operation, Warnings and Cautions. If you use your router properly and only for what it is intended, you will enjoy years of safe, reliable service.

Your router has many features for making routing operations more pleasant and enjoyable. Safety, performance and dependability have been given top priority in the design of this router making it easy to maintain and operate.

## SPECIFICATIONS:

Depth Of Cut	0-2-1/2 in.
Collet	1/2 in.
Adapter	1/4 in.
Horsepower	3.5
Rating	120 volts, 60 Hz, AC only, 15.0 AMPS
No Load Speed	10,000 - 22,000 RPM
Power Cord	10 Ft.
Net Weight	12.8 Lbs.

### FULL ONE YEAR WARRANTY ON CRAFTSMAN INDUSTRIAL ELECTRONIC PLUNGE ROUTER

If this Craftsman Industrial Electronic Plunge Router fails due to a defect in material or workmanship within one year from the date of purchase, Sears will repair it free of charge.

**WARRANTY SERVICE IS AVAILABLE BY SIMPLY RETURNING THE TOOL TO THE NEAREST SEARS STORE IN THE UNITED STATES.**

This warranty gives you specific legal rights, and you may also have other rights which vary from state to state.

SEARS, ROEBUCK AND CO.  
DEPT. 817 WA  
HOFFMAN ESTATES, IL 60179

# TABLE OF CONTENTS

1. Rules for Safe Operation .....	2-3
2. Introduction and Product Specifications .....	4
3. Warranty and Table Of Contents .....	4
4. Unpacking .....	5
5. Features .....	5-7
6. Adjustments .....	8-12
7. Operation .....	13-18
8. Maintenance .....	19-23
9. Exploded View and Repair Parts List .....	24-25
10. Parts Ordering / Service .....	26

# UNPACKING

Your new plunge router comes fully assembled. After removing it from the box, inspect it carefully to make sure that it is not damaged and that no parts are missing. See *Figure 1*. The following accessories should also be included in the box:

1. 15/16 in. Wrench
2. 1/4 in. Adapter



**WARNING:** If any parts are missing, do not operate your router until the missing parts are replaced. Failure to do so could result in possible serious personal injury.

# FEATURES

Your electronic router is a versatile woodworking tool which will give you years of trouble-free performance. It is engineered with the professional in mind, but its ease of operation allows the amateur to produce work which is beautiful and precise.

## 3.5 HORSEPOWER MOTOR

Your router has a powerful 3.5 horsepower motor with sufficient power to handle the toughest routing jobs. The motor also has externally accessible brushes for ease of servicing.

## SOFT START

The soft start feature builds motor RPM gradually to minimize start-up torque. Pressing or releasing the "on-off" trigger will turn your router on or off.

## DEPTH CONTROL KNOB

A large depth control knob makes precise depth of cut changes possible. It also is very helpful when making depth of cut changes with your router mounted upside down on a router table.

## DEPTH STOP SYSTEM

The depth stop block located on the base of your router provides three adjustable stops and three fixed stops for quick depth of cut changes. A depth adjustment scale makes quick adjustments to depth of cut changes possible. The spring loaded adjustment knob quick releases stop bar by depressing center of knob.

## 1/4 IN. AND 1/2 IN. SHANK CAPACITY

Your router has a 1/2 in. diameter collet that accepts cutters with 1/2 in. shanks. A 1/4 in. adapter has been provided so that cutters with 1/4 in. shank bits can also be used.

## CHIP SHIELD

A clear plastic see-through chip shield has been provided on the base of your router for protection against flying dust and chips. It is designed to fit the front opening of the router base.

## POSILOCK SPINDLE LOCK

A posilock spindle lock secures the spindle so that only one wrench is needed to loosen collet nut and change cutters. A spindle lock indicator light alerts you that spindle is locked if you connect router to power supply before unlocking spindle. **Note:** Your router will not run if spindle is locked.

## "LOCK-ON" FEATURE"

Your router is equipped with a "lock-on" feature that is convenient when continuous operation for extended periods of time is required.

## LARGE HANDLES

Your router has large oversized handles for easy handling and maintaining proper control when routing. The left handle allows you to set cutter depth of cut when making plunge cuts, while the right handle provides easy access to the "on-off" trigger, "lock-on" button, and variable speed control selector. The handles have also been designed so that they are comfortable and easy to grasp when operating in different positions or at different angles.

## VARIABLE SPEED SWITCH WITH ELECTRONIC SPEED CONTROL (Feedback Switch)

Your router has advanced electronic features, designed to assist you in getting the maximum use from your router. By making proper speed selections, your router can be adjusted to specific routing needs. This eliminates much of the guess work previously needed to perform a given job. Both the experienced and inexperienced router users benefit, obtaining professional like results with fewer job errors.

The variable speed control allows the router speed to be adjusted from 10,000 to 22,000 rpm. The variable speed control selector is conveniently located inside the right handle near the operator's thumb or hand.

The electronic feature of your router introduces the flexibility of adjusting the motor speed to required job conditions. An electronic speed control module senses the load applied to the motor, and increases or decreases motor voltage to compensate for and maintain desired RPM.

Speed can be set according to the approximate cutter diameter you will be using and to the hardness of the material being cut. The best cuts are made when the cutter is fed through material at the proper rate of feed.

# FEATURES

## KNOW YOUR ELECTRONIC ROUTER

Before attempting to use your router, familiarize yourself with all operating features and safety requirements. See Figures 1 and 2.

**WARNING:** Do not allow familiarity with your router to make you careless. Remember that a careless fraction of a second is sufficient to inflict severe injury.

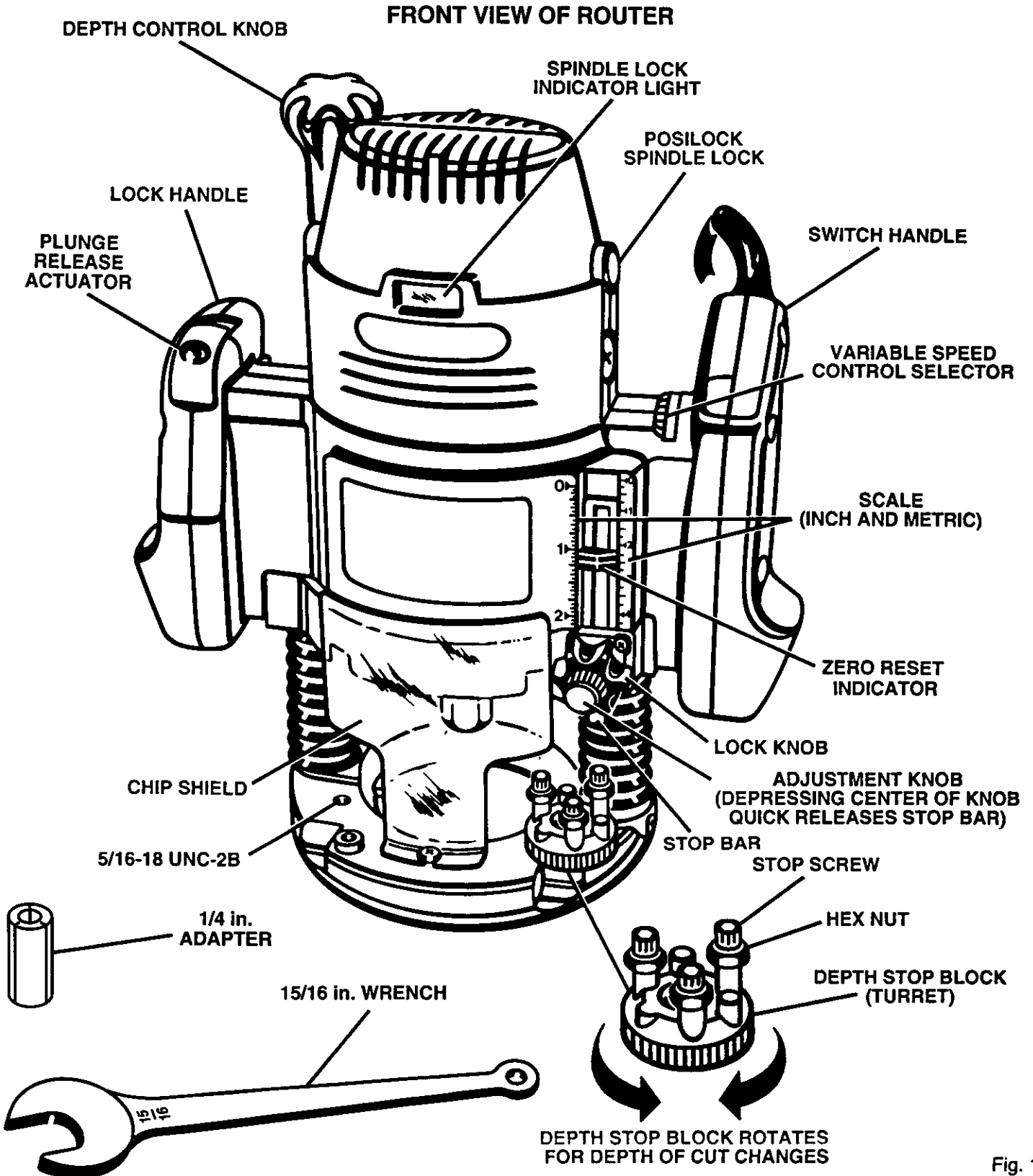


Fig. 1

# FEATURES

## REAR VIEW OF ROUTER

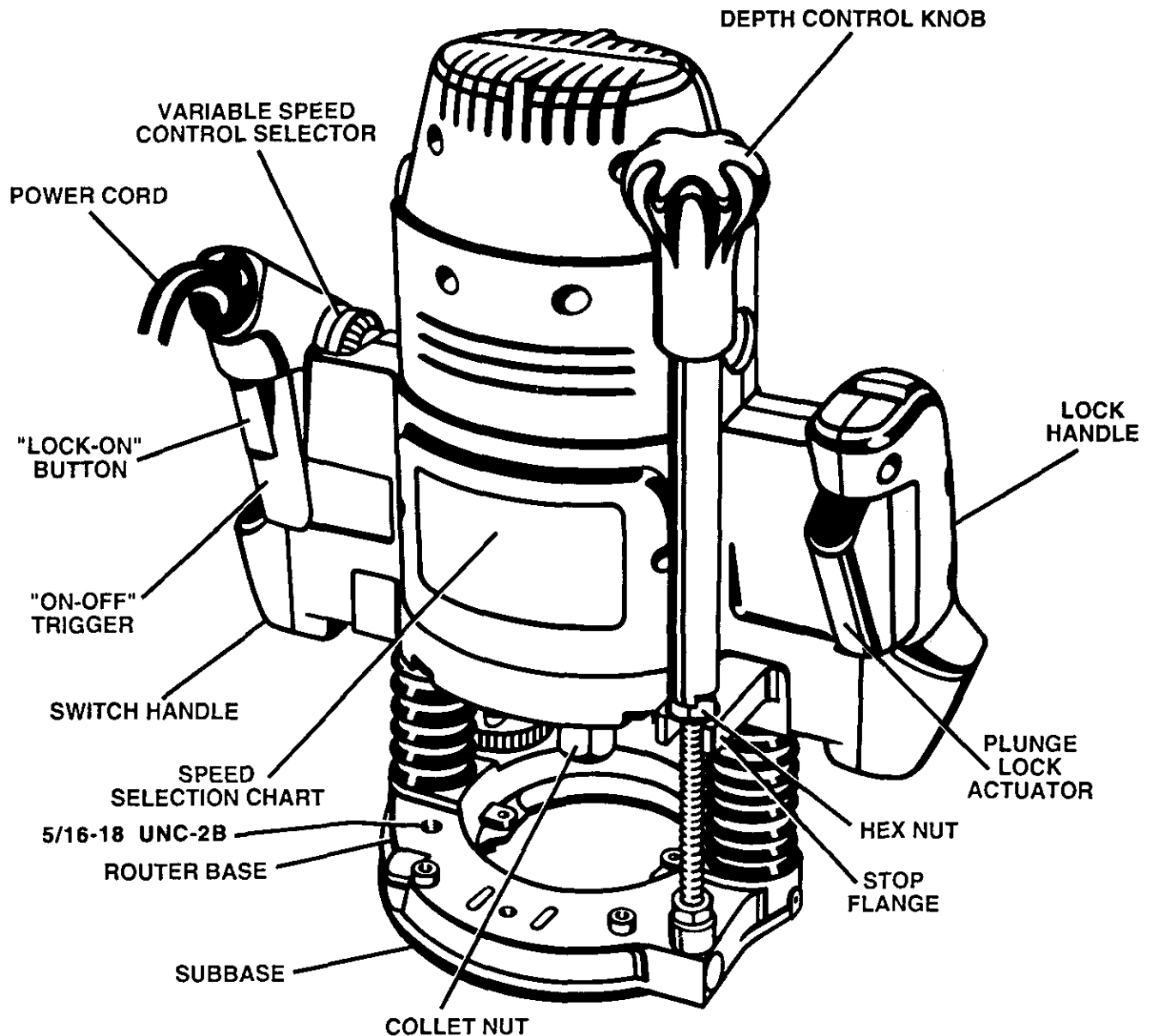


Fig. 2

## ELECTRICAL CONNECTION

Your router has a precision built electric motor. It should be connected to a **power supply that is 120 volts, 60 Hz, AC only (normal household current)**. Do not operate this tool on direct current (DC). A voltage drop of more than 10 percent will cause a loss of power and the motor will overheat. If your tool does not operate when plugged into an outlet, double-check the power supply.

### **WARNING:**



The operation of any power tool can result in foreign objects being thrown into your eyes, which can result in severe eye damage. Before beginning power tool operation, always wear safety goggles or safety glasses with side shields and a full face shield when needed. We recommend Wide Vision Safety Mask for use over eyeglasses or standard safety glasses with side shields, available at Sears Retail Stores. Always wear eye protection which is marked to comply with ANSI Z87.1.

# ADJUSTMENTS

**WARNING:** Your router should never be connected to power supply when you are assembling parts, making adjustments, installing or removing cutters, or when not in use. Disconnecting your router will prevent accidental starting that could cause serious injury.

## INSTALLING/REMOVING CUTTERS

See Figures 3, 4, and 5.

### ■ UNPLUG YOUR ROUTER.

**WARNING:** Failure to unplug your router could result in accidental starting causing serious injury.

- Place the posilock spindle lock into lock position. See Figure 3. **Note:** If spindle does not lock, turn collet nut with wrench, applying pressure at the same time to the spindle lock with your thumb or finger. When lock mechanism engages with notch in spindle, spindle lock will slide into lock position.

**WARNING:** To prevent damage to the spindle or spindle lock, do not attempt to engage spindle lock while motor is running. Always allow motor to come to a complete stop and unplug it before engaging spindle lock.

- Place router upside down on workbench or lay it face down on its side in order to gain easy access to collet nut.
- Place 15/16 in. wrench provided through back of router base onto collet nut and turn counterclockwise to loosen. See Figure 4.

**WARNING:** If you are changing a cutter immediately after use, be careful not to touch the cutter or collet with your hands or fingers. They will get burned because of the heat buildup from cutting.

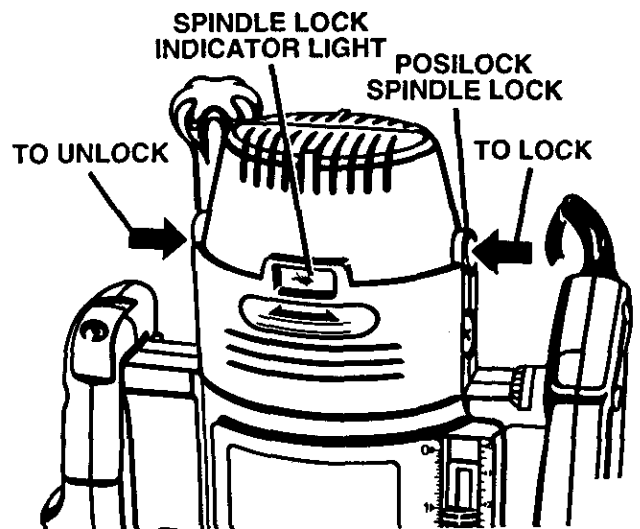


Fig. 3

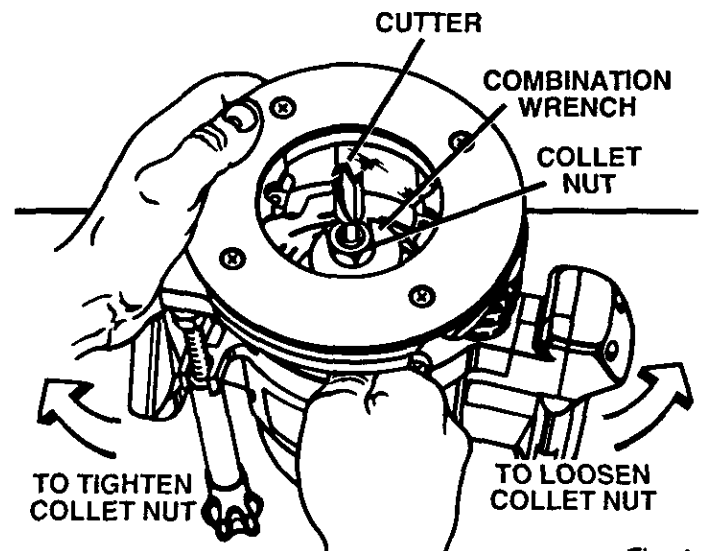


Fig. 4

# ADJUSTMENTS

## INSTALLING/REMOVING CUTTERS (Continued)

- If installing cutter for the first time, it can be installed once collet nut is loose. If changing cutters, cutter will easily slip from collet after loosening collet nut.
- The 1/2 in. collet is machined to precision tolerances to fit cutters with 1/2 in. diameter shanks. As previously mentioned, a 1/4 in. adapter has also been provided with your router so that cutters with 1/4 in. shank bits can be used.
- To use cutters with 1/4 in. shank bits, insert the 1/4 in. adapter provided inside 1/2 in. collet. *See Figure 5.*
- Insert shank of cutter into collet until shank bottoms out, then pull it out 1/16 in. to allow for expansion when the bit gets hot.
- Tighten the collet nut securely by turning with the wrench provided. *See Figure 4.*

**⚠ WARNING:** Do not use cutters with undersized shanks. Undersized shanks will not tighten properly and could be thrown from tool causing injury.

- Place posilock spindle lock back in unlock position. Otherwise, interlocking mechanism of spindle lock will not let you turn your router on. **If you forget, the spindle lock indicator light will alert you that spindle is still locked when you connect router to power supply.**

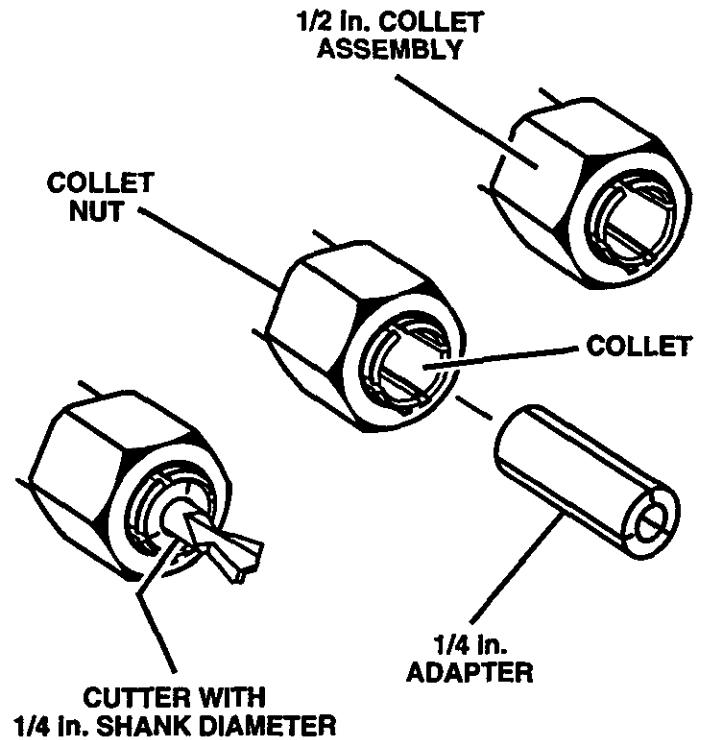


Fig. 5

**⚠ WARNING:** Do not use cutters with undersized shanks. Undersized shanks will not tighten properly and could be thrown from tool causing injury.

# ADJUSTMENTS

## DEPTH OF CUT ADJUSTMENTS

See Figures 6, 7, and 8.

When routing a groove that is too deep to safely cut in one pass, it is best to make the cut in several passes. We recommend that several passes be made to reach deeper cuts.

Proper depth of cut depends on several factors: horsepower of router motor, type of cutter being used, and type of wood being routed. A lightweight, low horsepower router is designed for making shallow cuts. A router with high horsepower rating can safely cut deeper. Small bits, such as 1/4 in. shank veining bits with 1/16 in. cutting diameters, are designed to remove only small amounts of wood. Large bits, such as 1/2 in. shank straight-flute bits, are made to remove larger amounts of wood in a single pass. Cuts can be made deeper in soft woods, such as white pine, than in tough hardwoods, like oak or maple. Based upon these considerations, choose a depth of cut that will not place excessive strain on router motor. If you find that extra force is needed or that the motor speed slows down considerably, turn off router and raise the bit. Then, make the cut in two or more passes.

## TO SET DEPTH OF CUT

### ■ UNPLUG YOUR ROUTER.

**⚠ WARNING:** Failure to unplug your router could result in accidental starting causing serious injury.

- Raise cutter by depressing plunge release actuator. See Figure 6.
- Adjust depth control knob until cutter is inside router subbase. See Figure 7.
- Place router on a flat surface.
- Lower router until tip of cutter barely touches flat surface. See Figure 8.
- Squeeze plunge lock actuator to lock cutter at "zero" depth of cut. **Note:** If desired, adjust depth control knob until hex nut comes in contact with stop flange. This will provide a positive stop at "zero" depth of cut.
- Rotate depth stop block to desired position, loosen lock knob, then turn adjustment knob until stop bar touches stop screw on depth stop block.
- Slide zero-reset indicator up or down the scale on stop bar until white line on zero-reset indicator aligns with a desired reference point. For example, align white line with 1 in. mark on the scale.
- Next, turn adjustment knob in the opposite direction, lifting stop bar to obtain desired depth of cut. See Figure 8. For example, if setting 1/8 in. depth of cut, the zero-reset indicator will move 1/8 in. from the 1 in. reference point. Tighten knob securely.
- Position your router so that the cutter can extend below the subbase for desired depth setting.
- Depress plunge release actuator.
- Grasp handles and lower router until stop bar contacts stop screw. Squeeze plunge lock actuator, locking cutter at desired depth of cut. See Figure 9.

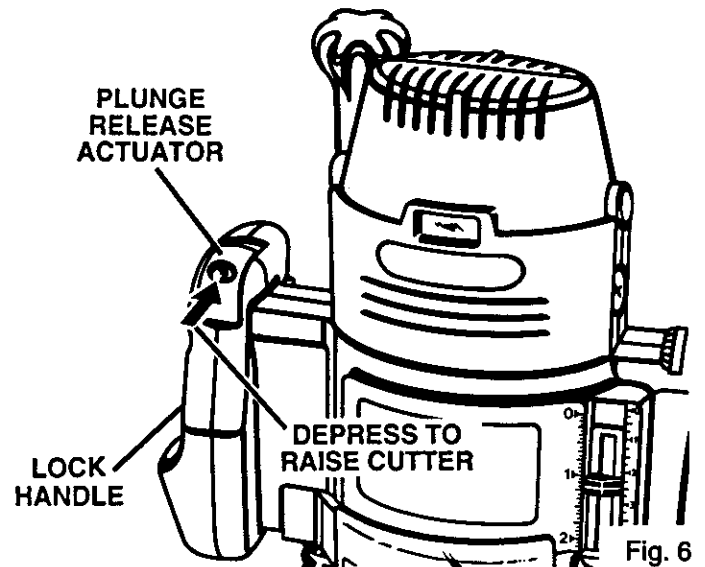


Fig. 6

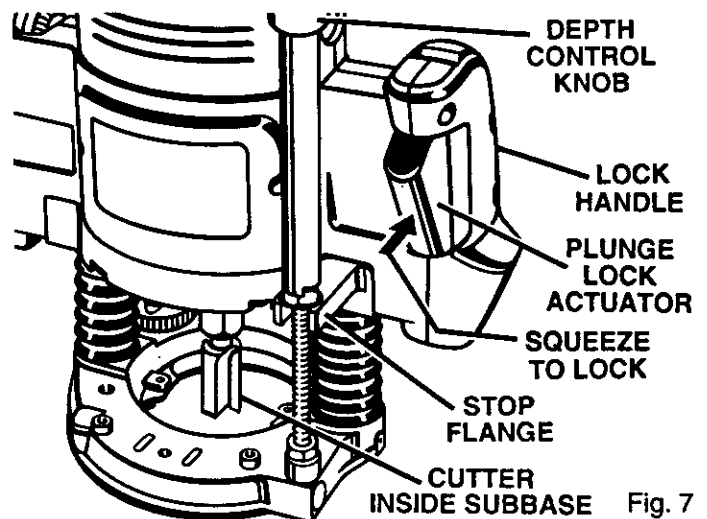


Fig. 7

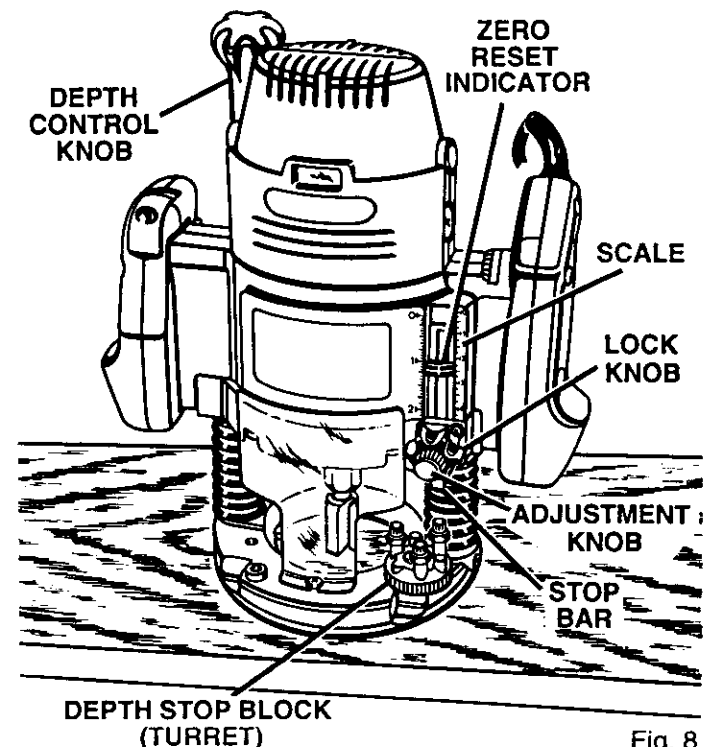


Fig. 8

# ADJUSTMENTS

## DEPTH CONTROL KNOB

See Figure 9.

Fine adjustments can be made to the depth of cut by use of the depth control knob. Another primary use of the depth control knob is setting depth of cut when router is mounted upside down on a router table. **Note:** The weight of the router plus the awkward position it is in when mounted to a router table make it necessary to use depth control knob.

## TO SET DEPTH OF CUT WITH DEPTH CONTROL KNOB

### ■ UNPLUG YOUR ROUTER.

**⚠ WARNING:** Failure to unplug your router could result in accidental starting causing serious injury.

- Loosen lock knob and turn adjustment knob so that stop bar is not touching stop screws or fixed stops.
- Depress plunge release actuator and allow router to return to its uppermost position against hex nut.
- Plunge router until cutter reaches the approximate desired depth of cut. Then squeeze plunge lock actuator, temporarily locking cutter at desired depth of cut.
- Turn depth control knob clockwise until hex nut seats against stop flange. **Do not overtighten hex nut against stop flange.**
- Depress plunge release actuator and turn depth control knob until cutter reaches desired depth of cut. **Always make sure plunge lock is released and router is free before setting depth of cut with depth control knob.**
- Squeeze plunge lock actuator, locking cutter at desired depth of cut.
- Turn adjustment knob and adjust stop bar until it touches the desired stop screw or fixed stop.
- Tighten lock knob securely.

Depth control knob is spring loaded against hex nut. If you adjust it too far and it pops off threaded rod, refer to **DEPTH CONTROL KNOB ADJUSTMENTS** in maintenance section for proper reassembly.

## DEPTH STOP SYSTEM

See Figure 10.

The depth stop block located on the base of your router makes it possible to make deep or heavy cuts in successive passes by use of preset depth of cut changes. Both fixed and adjustable stops are provided, making depth of cut changes quick and easy. The depth stop block, also known as a revolving turret, rotates on a ball detent design in the router base.

A preset cutting depth is achieved by plunging router until stop bar comes in contact with the stop screw or fixed stop on depth stop block.

The fixed stops are approximately 1/8 in. apart. The adjustable stops have screws that may be adjusted approximately 1/2 in.

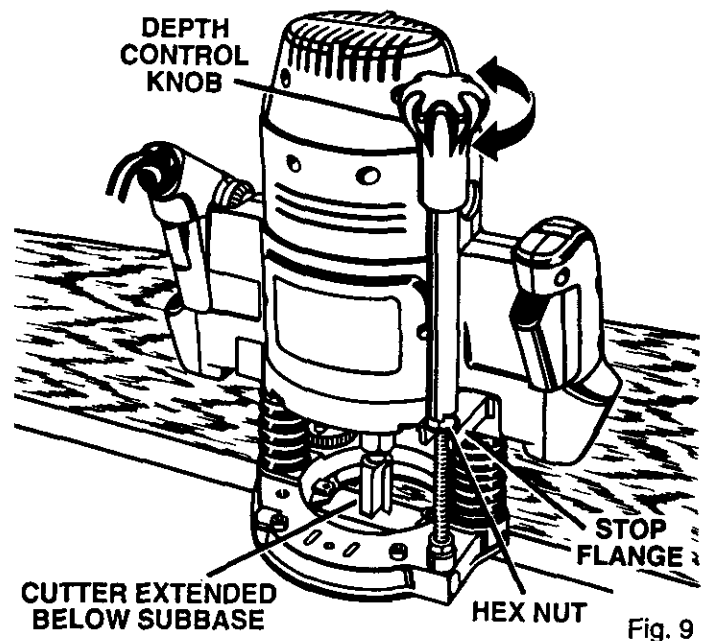


Fig. 9

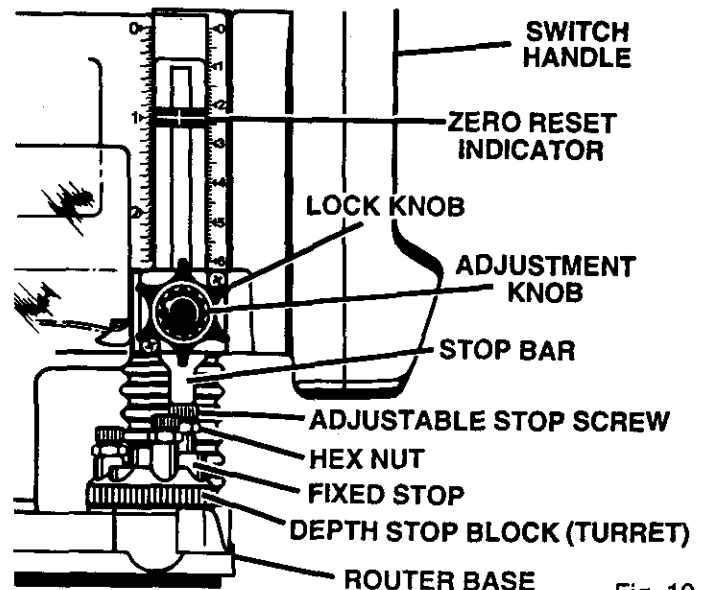


Fig. 10

## TO SET DEPTH STOP BLOCK SETTINGS

### ■ UNPLUG YOUR ROUTER.

- Loosen lock knob and turn adjustment knob clockwise, raising stop bar to its highest position.
- Determine which stop, adjustable or fixed, to use for the desired depth of cut. A combination of the two stop types can be used if required for a specific job. If using the adjustable stops, the stop screw on each stop can be adjusted to the desired height by loosening hex nut with a 3/8 in. wrench, and turning it in or out with your fingers. Secure stop screw in position by retightening hex nut with wrench. **Do not overtighten hex nut.** Set stops to desired heights, spreading the entire depth of cut over the number of stops used.
- Rotate depth stop block until the highest depth stop is aligned with the stop bar.

# ADJUSTMENTS

## DEPTH STOP SYSTEM (Continued)

- Raise cutter by depressing plunge release actuator.
- Place router on flat surface, and lower router until tip of cutter barely touches flat surface.
- Squeeze plunge lock actuator to lock cutter at "zero" depth of cut.
- Turn adjustment knob counterclockwise to lower stop bar against the stop, then tighten lock knob securely. The highest stop now becomes the "zero" depth of cut setting.
- Depress plunge release actuator and raise router. Rotate stop block so that next highest depth stop aligns with stop bar. This locates cutter for the initial pass.
- Rotate depth stop block after each pass. Make as many successive passes as needed to obtain desired depth of cut, progressively lowering router to next depth of cut setting with each pass.

## ZERO RESET INDICATOR

See Figure 11.

The zero reset indicator allows you to use the scale provided on the housing to make quick depth of cut changes to existing depth of cut settings. Simply choose a reference point on the scale and slide zero reset indicator up or down scale the distance required for new depth of cut. Then change stop bar position by loosening lock knob and turning adjustment knob until white line on zero reset indicator moves back to reference point. Tighten lock knob securely to lock stop bar in new position. The cutter position will now increase or decrease the exact distance the stop bar was adjusted.

**Remember:** Each mark on the inch scale indicates a 1/32 inch change in depth setting while each mark on the metric scale equals a 1mm change in depth setting; depth control knob should be used for making precise adjustments to depth of cut; and depressing center of depth adjustment knob quick releases stop bar.

## VARIABLE SPEED CONTROL SELECTOR

See Figure 12.

Your router has a variable speed control selector designed to allow operator control of speed and torque limits. You can make speed selections best suited to the type of cut, the material being cut, and the size of bit being used. The variable speed control selector allows you to adjust router speed from 10,000 to 22,000 rpm. There is a six step scale lettered A to F on the variable speed control selector. To increase the speed and torque of your router, turn the variable speed control selector to a higher setting. Turn to a lower setting to decrease speed and torque. **Note:** If you do not want to use the variable speed control selector, turn to the highest possible setting, and the feature will not be active.

The speed selection chart shown gives suggested speed settings based on the diameter of the cutter and the type of material being routed.

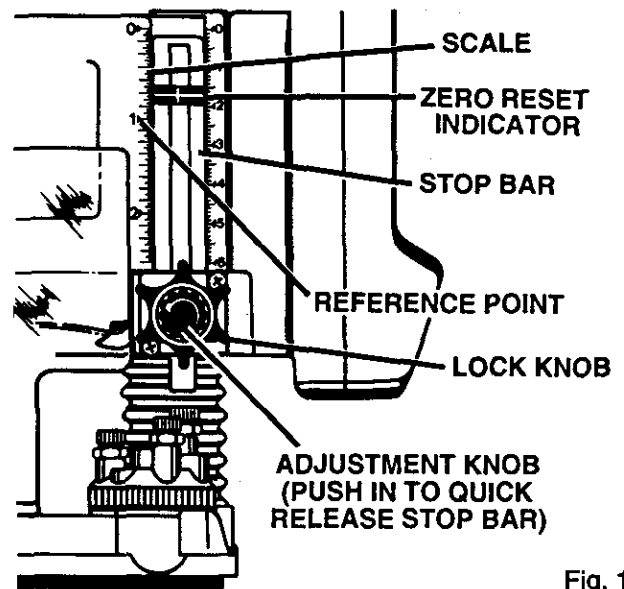


Fig. 11

SPEED SELECTION CHART				
CUTTER SIZE				
MAT'L	1/4	3/8	1/2	3/4
SOFT	F	D-E	C-D	B-C
MEDIUM	E	E	C	B-C
HARD	D-E	C	C	C
VERY HARD	D	A-B	A	B

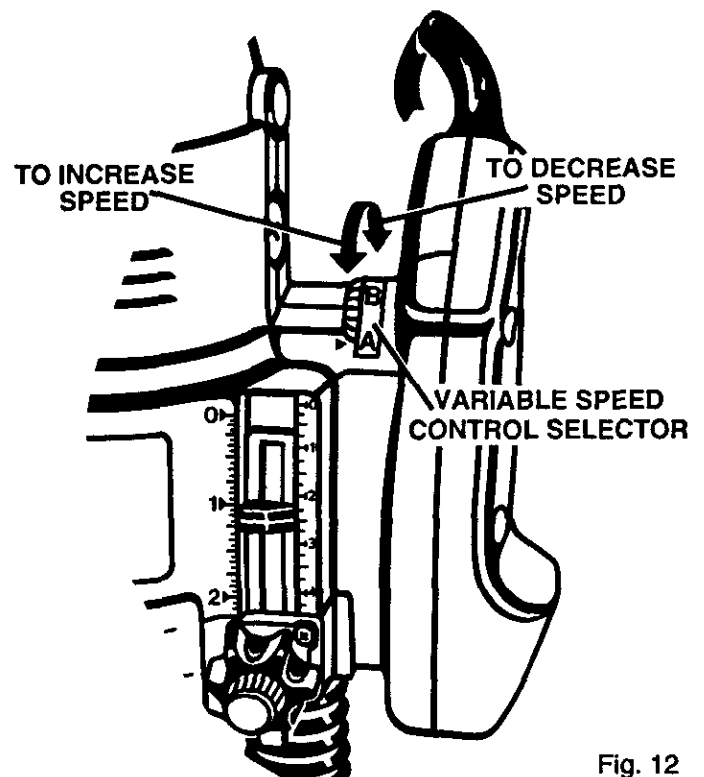


Fig. 12

## PRACTICE BEFORE ACTUAL USE

See Figure 12.

We suggest that you practice with the variable speed feature of your router before installing a cutter and making cuts in wood.

# OPERATION

**WARNING:** Always wear safety goggles or safety glasses with side shields when using router. Failure to do so could result in dust, shavings, chips, loose particles, or foreign objects being thrown in your eyes causing possible serious injury. If operation is dusty, also wear a face or dust mask.

## "LOCK-ON" BUTTON

See Figure 13.

The "on-off" trigger of your router is equipped with a "lock-on" feature which is convenient when operating for extended periods of time. The "lock-on" button is located in the upper portion of the "on-off" trigger. It works similar to a rocker switch. To lock on, fully depress "on-off" trigger, then depress "lock-on" button in top of "on-off" trigger and release. You will feel the "lock-on" button as it snaps "on-off" trigger into lock position. To release the lock, depress protruding portion of the "lock-on" button.

**WARNING:** Before connecting router to power supply source, always check to be sure switch is not in "lock-on" position. Failure to do so could result in accidental starting of your router causing possible serious injury.

## ROUTING

See Figure 14.

For ease of operation and maintaining proper control, your router has two handles, one on each side of the router base. When using your router hold it firmly with both hands as shown in figure 14.

Before starting router, make sure cutter is securely tightened in collet nut and that depth of cut is properly set.

Turn router on and let motor build to its full speed, then gradually plunge or feed cutter into workpiece. **DO NOT** let the cutter contact workpiece before turning on router and allowing it to develop full speed.

Remain alert and watch what you are doing. **DO NOT** operate router when fatigued.

## FEED DIRECTION

When routing, the cutter rotates clockwise. Therefore, you should feed the router into the workpiece from left to right. When fed from left to right, the rotation of the cutter pulls the router against the workpiece. If fed in the opposite direction, the rotation forces of the spinning bit will tend to throw the router away from the workpiece. This could cause loss of control of your router.

## RATE OF FEED

**IMPORTANT:** The whole "secret" of professional routing and edge shaping lies in making a careful set-up for the cut to be made and in selecting the proper rate of feed.

The proper rate of feed depends on several factors: the hardness and moisture content of the wood, the depth of

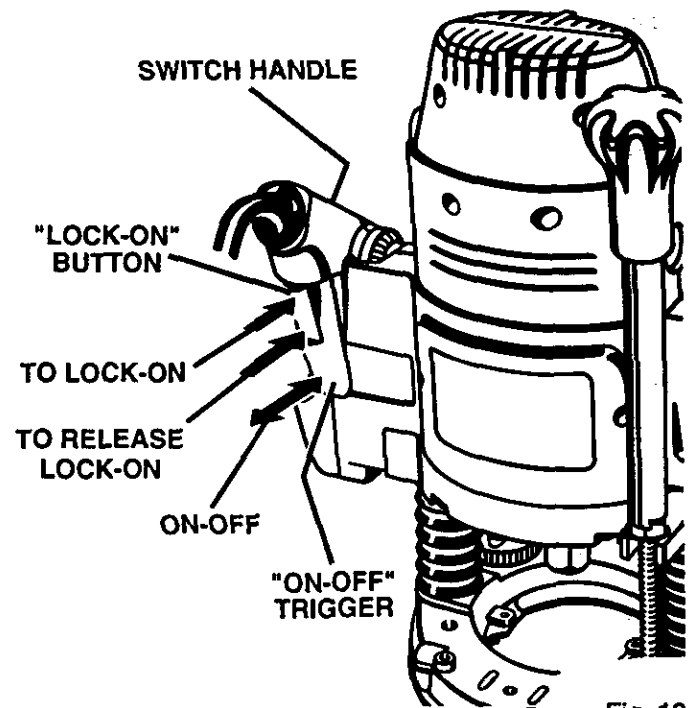


Fig. 13

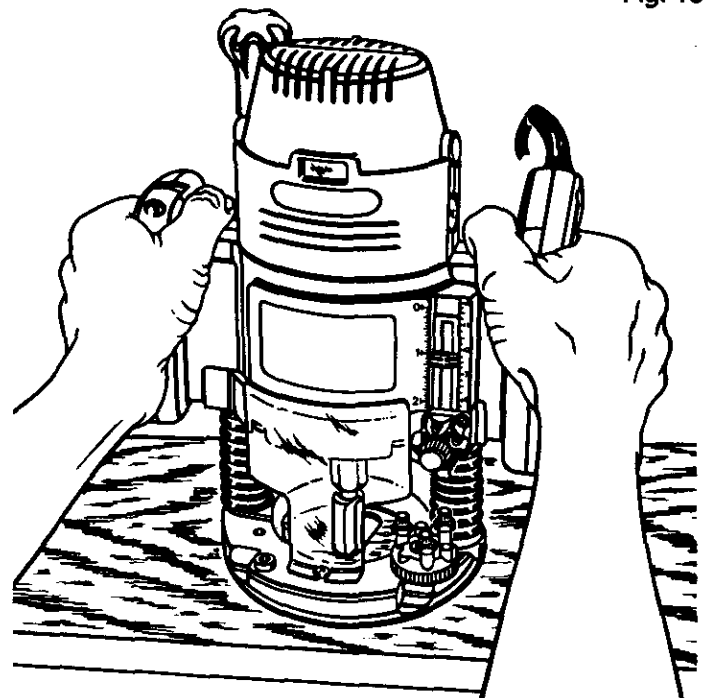


Fig. 14

cut, and the cutting diameter of the bit. When cutting shallow grooves in soft woods such as pine, a faster rate of feed can be used. When making deep cuts in hardwoods such as oak, a slower rate of feed will be required.

The best rate of feed is one that does not slow down the router motor more than one-third of its no-load speed. If the router is fed too fast, it will take large chips out of the wood and leave gouge marks. If the router is fed too slow, it will scorch or burn the wood.

# OPERATION

## PROPER FEEDING

The right feed is neither too fast nor too slow. It is the rate at which the bit is being advanced firmly and surely to produce a continuous spiral of uniform chips — without hogging into the wood to make large individual chips or, on the other hand, to create only sawdust. If you are making a small diameter, shallow groove in soft, dry wood, the proper feed may be about as fast as you can travel your router along your guide line. On the other hand, if the bit is a large one, the cut is deep or the wood is hard to cut, the proper feed may be a very slow one. Then, again, a cross-grain cut may require a slower pace than an identical with grain cut in the same workpiece.

There is no fixed rule. You will learn by experience from practice and use. The best rate of feed is determined by listening to the sound of the router motor and by feeling the progress of each cut. If at all possible, always test a cut on a scrap piece of the workpiece wood, beforehand.

## SPEED SELECTION

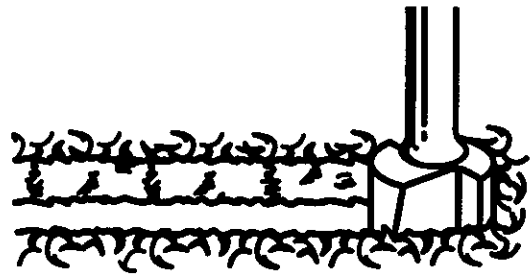
In general, if the material being cut is hard, the cutter size is large, or the depth of cut is deep, then your router should be run at slower speeds. When these situations exist, turn the variable speed control selector until the desired speed is reached. **NOTE:** Carbide cutters cut at higher speeds than steel cutters and should be used when cutting very hard materials.

## FORCE FEEDING

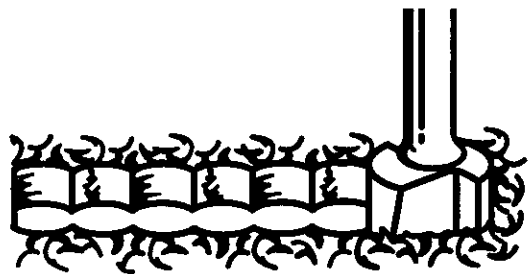
Clean, smooth routing and edge shaping can be done only when the bit is revolving at a relatively high speed and is taking very small bites to produce tiny, cleanly severed chips. If your router is forced to move forward too fast, the RPM of the bit becomes slower than normal in relation to its forward movement. As a result, the bit must take bigger bites as it revolves. "Bigger bites" mean bigger chips, and a rougher finish. Bigger chips also require more power, which could result in the router motor becoming overloaded.

Under extreme force-feeding conditions the relative RPM of the bit can become so slow — and the bites it has to take so large — that chips will be partially knocked off (rather than fully cut off), with resulting splintering and gouging of the workpiece. See Figure 15.

Your Craftsman router is an extremely high-speed tool (10,000 - 22,000 RPM no-load speed), and will make clean, smooth cuts if allowed to run freely without the overload of a forced (too fast) feed. Three things that cause "force feeding" are bit size, depth-of-cut, and workpiece characteristics. The larger the bit or the deeper the cut, the more slowly the router should be moved forward. If the wood is very hard, knotty, gummy or damp, the operation must be slowed still more.



TOO FAST



TOO SLOW

Fig. 15

You can always detect "force feeding" by the sound of the motor. Its high-pitched whine will sound lower and stronger as it loses speed. Also, the strain of holding the tool will be noticeably increased.

## TOO SLOW FEEDING

It is also possible to spoil a cut by moving the router forward too slowly. When it is advanced into the work too slowly, a revolving bit does not dig into new wood fast enough to take a bite; instead, it simply scrapes away sawdust-like particles. Scraping produces heat, which can glaze, burn, or mar the cut — in extreme cases, can even overheat the bit so as to destroy its hardness.

In addition, it is more difficult to control a router when the bit is scraping instead of cutting. With practically no load on the motor the bit will be revolving at close to top RPM, and will have a much greater than normal tendency to bounce off the sides of the cut (especially, if the wood has a pronounced grain with hard and soft areas). As a result, the cut produced may have rippled, instead of straight sides. See Figure 15.

"Too-slow feeding" can also cause your router to take off in a wrong direction from the intended line of cut. **Always grasp and hold your router firmly with both hands when routing.**

You can detect "too-slow feeding" by the runaway too-highly pitched sound of the motor; or by feeling the "wobble" of the bit in the cut.

# OPERATION

## DEPTH OF CUT

As previously mentioned, the depth of cut is important because it affects the rate of feed which, in turn, affects the quality of a cut (and, also, the possibility of damage to your bit). A deep cut requires a slower feed than a shallow one, and a too deep cut will cause you to slow the feed so much that the bit is no longer cutting, it is scraping, instead.

Making a deep cut is never advisable. The smaller bits — especially those only 1/16 inch in diameter — are easily broken off when subjected to too much side thrust. A large enough bit may not be broken off, but if the cut is too deep a rough cut will result — and it may be very difficult to guide and control the bit as desired. For these reasons, we recommend that several passes be made to reach deeper cuts. See Figure 16.

To make deeper cuts it is therefore necessary to make as many successive passes as required, lowering the bit for each new pass. In order to save time, do all the cutting necessary at one depth setting, before lowering the bit for the next pass. This will also assure a uniform depth when the final pass is completed. See Figure 17.

## DIRECTION OF FEED AND THRUST

See Figure 18.

The router motor and bit revolve in a clockwise direction. This gives the tool a slight tendency to twist (in your hands) in a counterclockwise direction, especially when the motor revs up (as at starting).

Because of the extremely high speed of bit rotation during a "proper feeding" operation, there is very little kickback to contend with under normal conditions. However, should the bit strike a knot, hard grain, foreign object, etc. that would affect the normal progress of the cutting action, there will be a slight kickback — sufficient to spoil the trueness of your cut if you are not prepared. Such a kickback is always in the direction opposite to the direction of bit rotation.

To guard against such a kickback, plan your set-up and direction of feed so that you will always be thrusting the tool — to hold it against whatever you are using to guide the cut — in the same direction that the leading edge of the bit is moving. In short, the thrust should be in a direction that keeps the sharp edges of the bit continuously biting straight into new (uncut) wood.

## ROUTING

Whenever you are routing a groove, your travel should be in a direction that places whatever guide you are using at the right-hand side. In short, when the guide is positioned as shown in the first part of Figure 19, tool travel should be left to right and counterclockwise around curves. When the guide is positioned as shown in the second part of Figure 19 tool travel should be right to left and clockwise around curves. If there is a choice, the first set-up is generally the

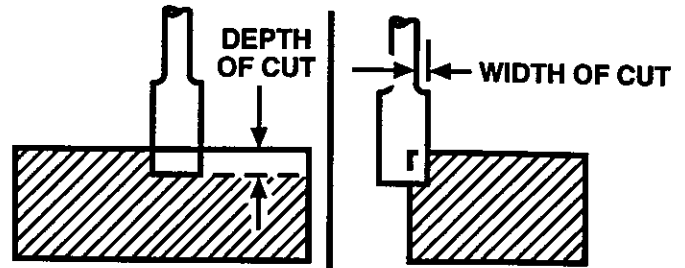


Fig. 16

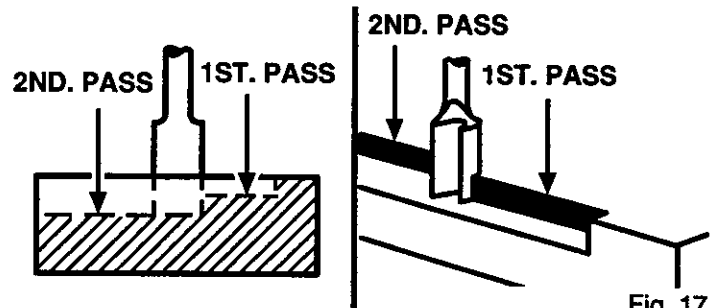


Fig. 17

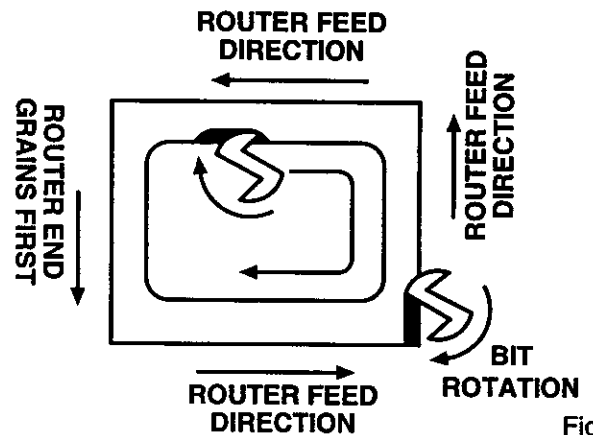


Fig. 18

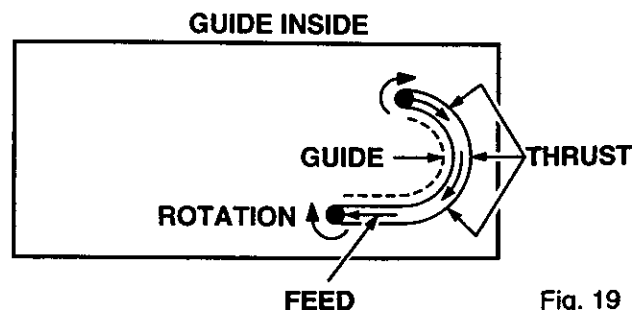
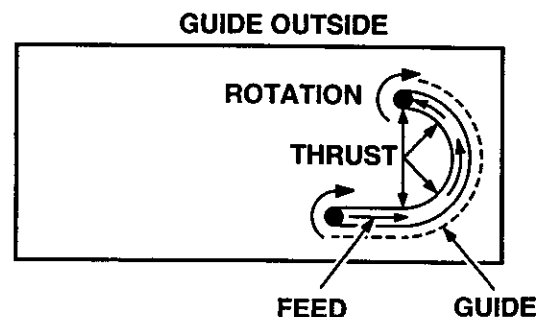


Fig. 19

easiest to use. In either case, the sideways thrust you use is against the guide.

# OPERATION

## EDGE ROUTING

Place router on workpiece, making sure the router bit does not contact workpiece. Turn router on and let motor build to its full speed. Begin your cut, gradually feeding cutter into workpiece.

**WARNING:** Keep a firm grip on router with both hands at all times. Failure to do so could result in loss of control leading to possible serious injury.

Upon completion of cut, turn motor off and let it come to a complete stop before removing router from work surface.

**WARNING:** Never pull router out of work and place upside down on work surface before the cutter stops.

## EDGING WITH PILOT BITS

See Figure 20.

Rabbets and molded edges can be cut using piloted cutters. The pilot extends below the cutter. Some pilots are solid extensions of the cutter. Others are ball bearing guides that are fastened to the end of the cutter. The pilots allow the cutters to turn while the pilot follows the edge of the workpiece.

Arbor-type bits with pilots are excellent for quick, easy, edge shaping. They will follow workpiece edges that are either straight or curved. The pilot prevents the bit from making too deep a cut; and holding the pilot firmly in contact with the workpiece edge throughout prevents the cut from becoming too shallow.

Whenever the workpiece thickness together with the desired depth of cut (as adjusted by router depth setting) are such that only the top part of the edge is to be shaped (leaving at least a 1/16 inch thick uncut portion at bottom), the pilot can ride against the uncut portion, which will serve to guide it. See Figure 20. However, if the workpiece is too thin or the bit set too low so that there will be no uncut edge to ride the pilot against, an extra board to act as a guide must be placed under the workpiece. This "guide" board must have exactly the same contour — straight or curved — as the workpiece edge. If it is positioned so that its edge is flush with the workpiece edge, the bit will make a full cut (in as far as the bit radius). On the other hand, if the guide is positioned as shown in Figure 20 (out from the workpiece edge), the bit will make less than a full cut — which will alter the shape of the finished edge.

**NOTE:** If desired, any of the piloted bits can be used without a pilot for edge shaping with guides, as preceding. Also, the size (diameter) of the pilot that is used determines the maximum cut width that can be made with the pilot against the workpiece edge (the small pilot exposes all of the bit; the large one reduces this amount by 1/16 inch).

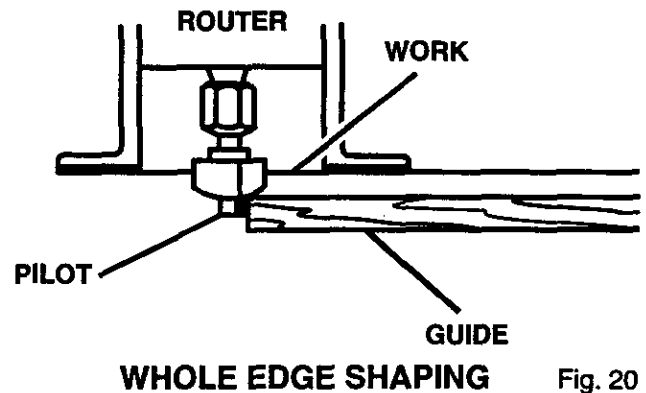
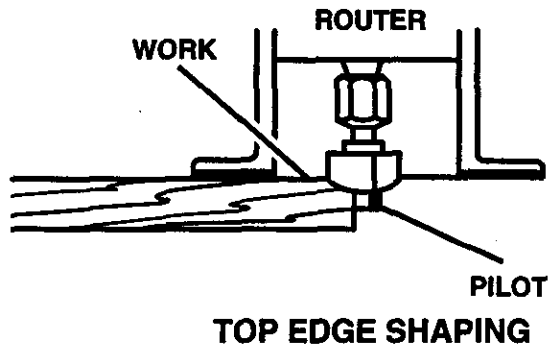


Fig. 20

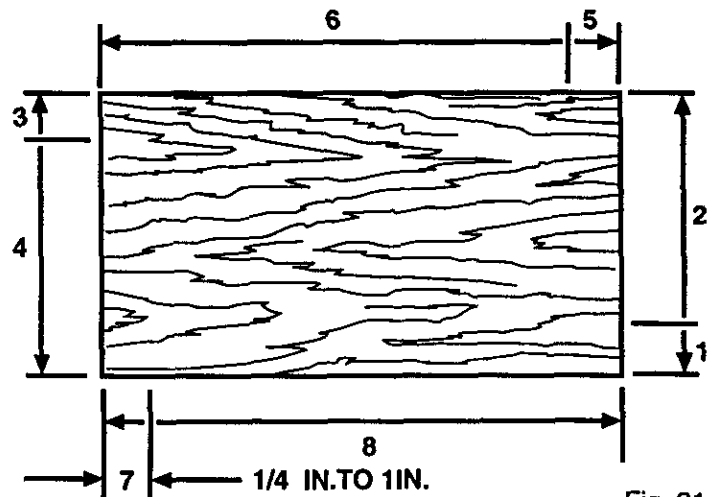


Fig. 21

When routing all the edges of a panel or board, rout the end grain first. Any splintering that occurs at the corners will then be removed when routing the edge. Start each side 1/4 in. away from the end. Feed the cutter into the wood until the pilot contacts the uncut edge. Then, slowly back the router to shape the corner. Next, move the router forward to shape the rest of the edge. Be careful to keep the pilot pressed against the uncut edge. Repeat this procedure on each side of the panel. Figure 21 shows the proper sequence of cuts to make when edge routing four sides of a panel.

# OPERATION

## ROUTING GROOVES

See Figure 22.

When routing across the face of boards, set router at desired depth of cut, place the edge of router base against workpiece, and turn on your router. Slowly feed the cutter into the workpiece along desired cutline.



**WARNING:** If desired depth of cut is greater than can be safely cut in one pass, make cuts in two or more passes.

When routing straight cuts across stock, clamp a straightedge to the workpiece to use as a guide. Position the straightedge parallel to the cutline and offset the distance between the cutting edge of the cutter and the edge of the router base. Hold the router base against the straightedge and rout the groove.

When routing a groove wider than the diameter of the cutter, clamp a straightedge on both sides of the cutting line. Position both guides parallel to the desired cutline and spaced equal distances from the desired edges of the groove. Rout along one guide; then, reverse direction and rout along the other guide. Clean out any remaining waste in the center of the groove freehand.

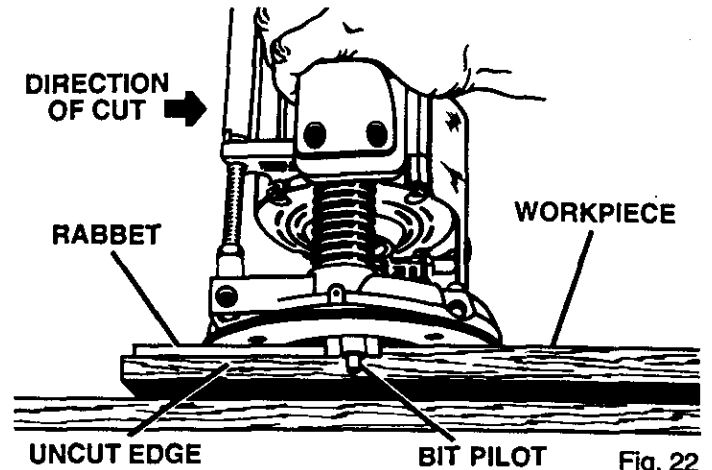


Fig. 22

# OPERATION

## FREEHAND ROUTING

See Figure 23.

When used freehand, your plunge router becomes a flexible and versatile tool. This flexibility makes it possible to easily rout signs, relief sculptures, etc.

There are two basic techniques for freehand routing:

- Routing letters, grooves, and patterns into wood.
- Routing out the background, leaving the letters or pattern raised above the surface as shown in figure 23.

When freehand routing, we suggest the following:

- Draw or layout the pattern on workpiece.
- Choose the appropriate cutter. **Note:** A core box or V-groove bit is often used for routing letters and engraving objects. Straight bits and ball mills are often used to make relief carvings. Veining bits are used to carve small, intricate details.
- Rout the pattern in two or more passes. Make the first pass at 25% of the desired depth of cut. This will provide better control as well as being a guide for the next pass.

**Freehand routing is an excellent example of how to use the plunge routing feature of your router:**

- Choose the appropriate cutter, set desired depth of cut, carefully check set-up, and secure workpiece.
- Make a test cut in a scrap piece of wood from the same workpiece if possible.
- Depress plunge release actuator and raise cutter from any preset depth of cut. This also permits raising cutter inside router subbase.
- Place router on workpiece inside pattern to be routed.
- Grasp handles securely and depress "on-off" trigger to start your router.
- Let motor build to full speed, then gradually plunge cutter into workpiece until stop bar comes into contact with stop screw on depth stop block.
- Squeeze plunge lock actuator to secure depth of cut setting.
- Begin routing out the pattern, continuing until a complete pass at this depth of cut has been made.
- Several cuts that require repositioning of router may be needed for a particular job. If this situation exists, depress plunge release actuator and raise cutter inside router subbase after each cut, reposition router for next cut, gradually plunge cutter into workpiece until stop bar contacts stop screw, squeeze plunge lock actuator and continue routing.
- After all cuts have been made, depress plunge release actuator, raise cutter inside router subbase, remove router from workpiece, release "on-off" trigger, and allow cutter to come to a complete stop.

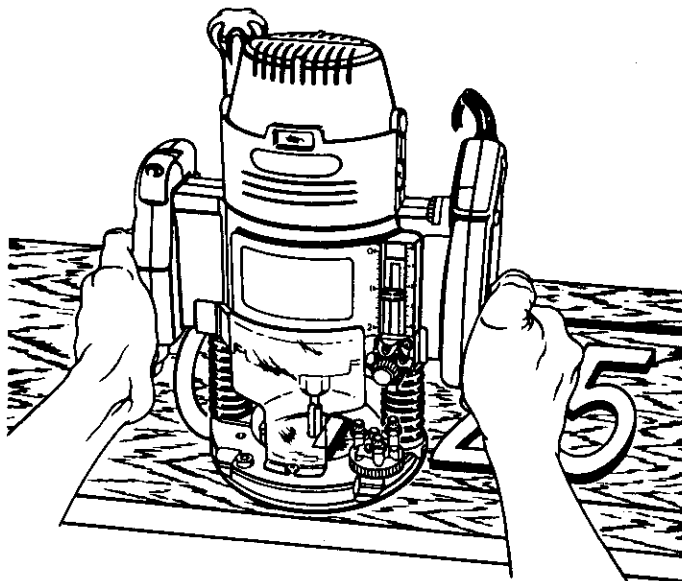


Fig. 23

# MAINTENANCE



**WARNING:** When servicing use only identical Craftsman replacement parts. Use of any other parts may create a hazard or cause product damage.

## GENERAL

Only the parts shown on parts list, page 25, are intended to be repaired or replaced by the customer. All other parts represent an important part of the double insulation system and should be serviced only by a qualified Sears service technician.

Avoid using solvents when cleaning plastic parts. Most plastics are susceptible to various types of commercial solvents and may be damaged by their use. Use clean cloths to remove dirt, carbon dust, etc.



**WARNING:** Do not at any time let brake fluids, gasoline, petroleum-based products, penetrating oils, etc. come in contact with plastic parts. They contain chemicals that can damage, weaken, or destroy plastic.

When electric tools are used on fiberglass boats, sports cars, wallboard, spackling compounds, or plaster, it has been found that they are subject to accelerated wear and possible premature failure, as the fiberglass chips and grindings are highly abrasive to bearings, brushes, commutators, etc. Consequently it is not recommended that this tool be used for extended work on any fiberglass material, wallboard, spackling compounds, or plaster. During any use on these materials, it is extremely important that the tool is cleaned frequently by blowing with an air jet.



**WARNING:** Always wear safety goggles, or safety glasses with side shields during power tool operation or when blowing dust if operation is dusty, also wear a dust mask.

## LUBRICATION

All of the bearings in this tool are lubricated with a sufficient amount of high grade lubricant for the life of the unit under normal operating conditions. Therefore, no further lubrication is required.

# MAINTENANCE

## BRUSH REPLACEMENT

See Figure 24.

Your router has externally accessible brush assemblies that should periodically be checked for wear.

**PROCEED AS FOLLOWS WHEN REPLACEMENT IS REQUIRED:**

■ **UNPLUG YOUR ROUTER.**

**⚠ WARNING:** Failure to unplug your router could result in accidental starting causing serious injury.

- Remove brush cap with a screwdriver. Brush assembly is spring loaded and will pop out when you remove brush cap.
- Remove brush assembly (brush and spring).
- Check for wear. If worn, always replace in pairs. Do not replace one side without replacing the other.
- Reassemble using new brush assemblies. Make sure curvature of brush matches curvature of motor and that brush moves freely in brush tube.
- Replace brush cap and tighten securely.

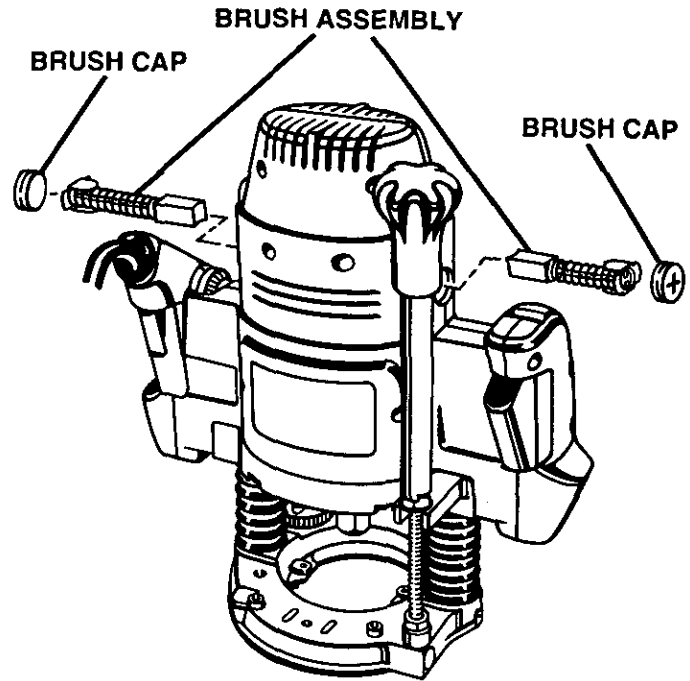


Fig. 24

## PROPER CARE OF CUTTERS

Get faster more accurate cutting results by keeping cutters clean and sharp. Remove all accumulated pitch and gum from cutters after each use.

When sharpening cutters, sharpen only the inside of the cutting edge. Never grind the outside diameter. Be sure when sharpening the end of a cutter to grind the clearance angle the same as originally ground.

## PROPER CARE OF COLLET

From time to time, it also becomes necessary to clean your collet and collet nut. To do so, simply remove collet/nut assembly from motor shaft and clean the dust and chips that have collected. Then return collet/nut assembly to its original position.

## EXTENSION CORDS

The use of any extension cord will cause some loss of power. To keep the loss to a minimum and to prevent tool overheating, use an extension cord that is heavy enough to carry the current the tool will draw.

A wire gage size (A.W.G.) of at least 14 is recommended for an extension cord 25 feet or less in length. When working outdoors, use an extension cord that is suitable for outdoor use. The cord's jacket will be marked WA.

**⚠ CAUTION:** Keep extension cords away from any routing area and position the cord so that it will not get caught on lumber, tools, etc., during routing operation.

**⚠ WARNING:** Check extension cords before each use. If damaged replace immediately. Never use tool with a damaged cord since touching the damaged area could cause electrical shock resulting in serious injury.

# MAINTENANCE

## PLUNGE LOCK ACTUATOR ADJUSTMENTS

See Figure 25.

The plunge lock actuator has been properly set at the factory and no initial adjustments should be required. However, after extended use slight readjustment may be required. If this situation occurs, make adjustments as follows:

### ■ UNPLUG YOUR ROUTER.



**WARNING:** Failure to unplug your router could result in accidental starting causing serious injury.

- Remove lock handle cover screws and lock handle cover. See Figure 25.
- **NOTE THE LOCATION OF PLUNGE RELEASE ACTUATOR AND COMPRESSION SPRING IN HANDLE.** Reassembly of all parts removed must be identical in order for plunge lock and plunge release actuators to function properly.
- Loosen hex nut on bottom of plunge lock actuator with a 7/16 in. open end wrench.
- Loosen socket head screw with a 1/8 in. hex key (allen wrench). This step is needed to make sure screw is not making contact with rod in base assembly.
- Depress plunge lock actuator until it is flush with handle as shown in figure 26.
- Continue to hold plunge lock actuator flush with handle, then turn hex key clockwise until socket head screw touches base assembly rod. **IMPORTANT: Do not over-tighten screw.**
- Make sure hex nut remains loose while tightening socket head screw.
- Once socket head screw touches base assembly rod, secure it by tightening hex nut against plunge lock actuator.
- Do not let socket head screw slip or turn while tightening hex nut.
- Slip compression spring over peg on plunge release actuator. Then locate tabs on actuator in slide grooves. Make sure that end of compression spring rests against wall of stop pocket.
- Carefully replace handle cover and handle cover screws. Make sure plunge release actuator and compression spring are properly seated.
- Tighten handle cover screws securely.

When properly adjusted, plunge lock actuator will make contact with base assembly rod when it is flush with handle. By squeezing plunge lock actuator past this point, a friction lock situation occurs. This is what locks your router at desired depth of cut settings.

The plunge release actuator is spring loaded. When engaged, it pushes the plunge lock actuator past the flush point in the opposite direction. This loosens socket head screw, releasing pressure from rod in base assembly.

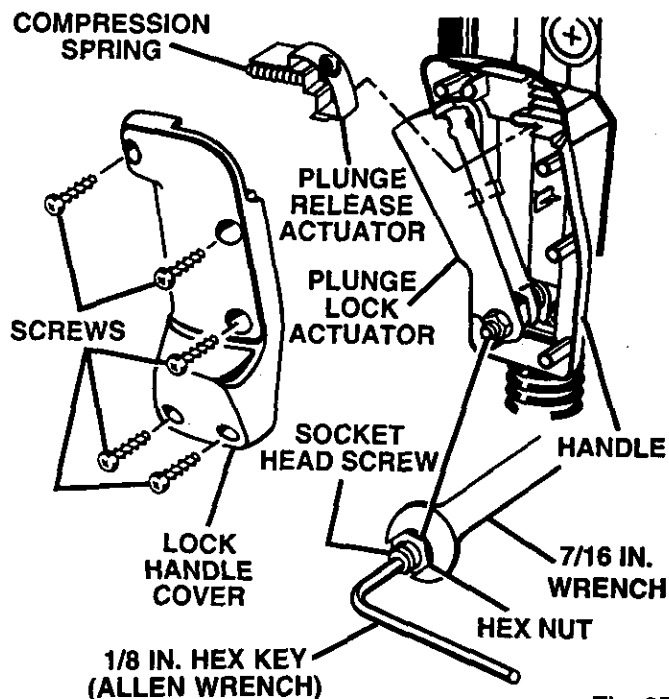


Fig. 25

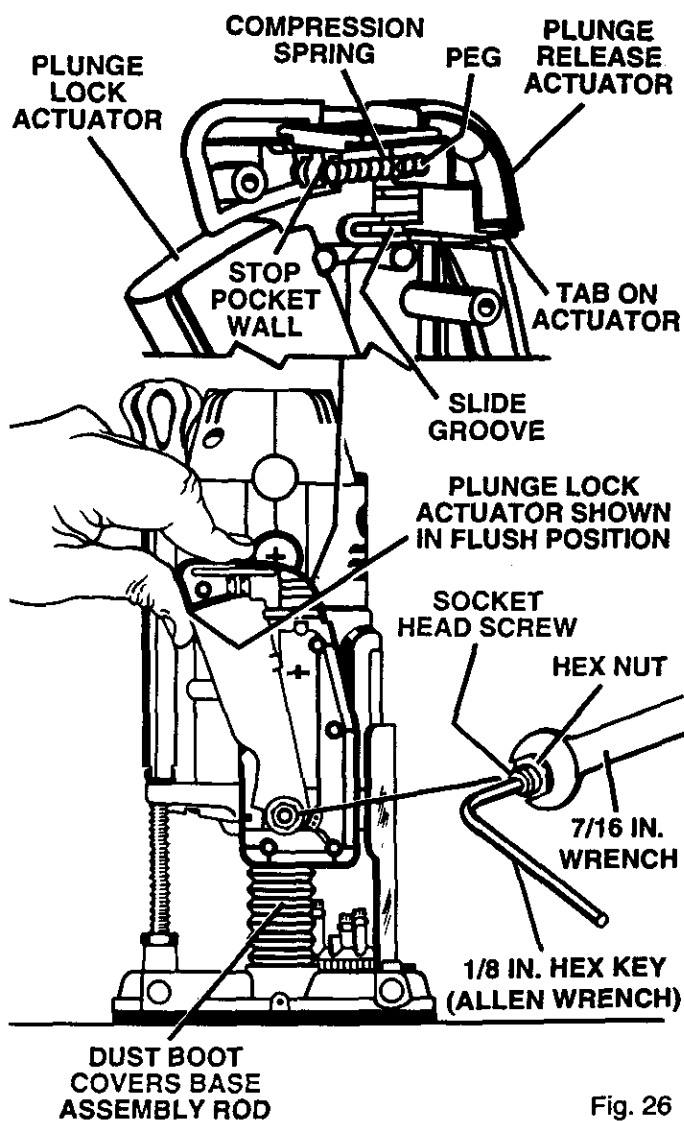


Fig. 26

# MAINTENANCE

## DEPTH CONTROL KNOB ADJUSTMENTS

See Figure 27.

The depth control knob is spring loaded against hex nut to prevent router motor from accidentally separating from router base. If depth control knob is turned too far up depth adjustment rod, the spring will cause depth control knob to pop off before hex nut. **Do not remove hex nut.** It should remain on depth adjustment rod at all times. This is especially important when using router upside down on a router table.

### TO REPLACE DEPTH CONTROL KNOB:

#### ■ UNPLUG YOUR ROUTER.

**WARNING:** Failure to unplug your router could result in accidental starting causing serious injury.

- Turn hex nut counterclockwise until 1/4 in. of threads are remaining at the top of depth adjustment rod.
- Place compression spring on top of hex nut as shown in figure 27.
- Place depth control knob on top of compression spring and align tabs on depth control knob with flats on hex nut.
- Carefully compress spring by pushing down on top of depth control knob.
- With spring compressed, thread depth control knob clockwise onto depth adjustment rod.
- Turn depth control knob until desired depth of cut is reached.

Do not replace depth control knob without compression spring.

**WARNING:** Replacing depth control knob without compression spring could result in depth control knob and hex nut vibrating off depth adjustment rod during use. This situation could cause motor to separate from router base, resulting in possible serious personal injury.

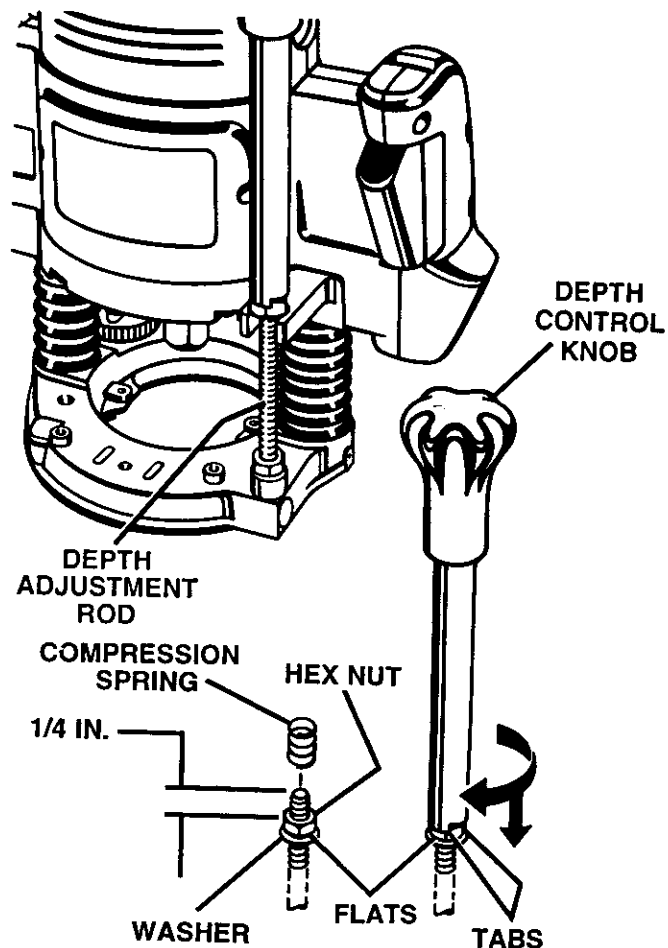




Fig. 27


# MAINTENANCE

## ROUTER TABLES

 **WARNING:** Do not use with router tables that fail to conform to safe wood working practices and offer proper guarding for the cutter. Failure to comply can result in an accident causing possible serious injury.

If mounting your router to a router table, use only the three 5/16-18 UNC-2B tapped holes provided in the router base. Use 5/16-18 UNC-2A flat head screws that are 1-1/8 in. or 1-1/4 in. long when mounting router to a router table. **NOTE:** Router subbase must be removed in order to gain access to the 5/16-18UNC tapped holes.

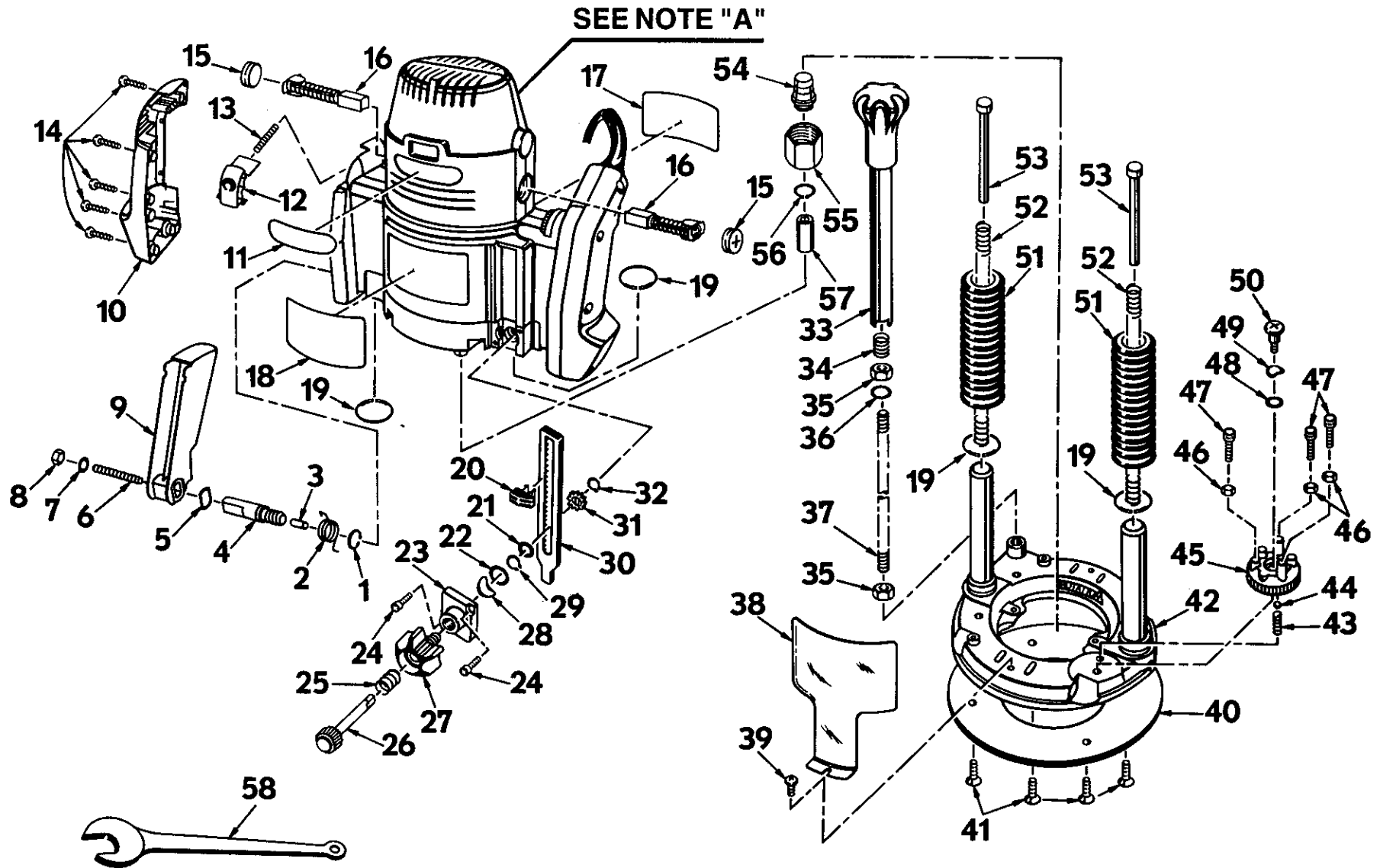
 **WARNING:** Do not use large router bits for freehand routing. Use of large router bits when freehand routing could cause loss of control or create other hazardous conditions that could cause possible serious personal injury. When using router table, large router bits should be used for edging only.

 **WARNING:** Do not use the four 8-32 UNC-2B subbase screws or the 8-32 UNC-2B tapped subbase screw holes for mounting router to a router table. These screws and screw holes will not secure router to router table properly and could result in an accident causing possible serious injury.

The use of Craftsman routers in router tables offered by other manufacturers has not been investigated for compliance with applicable safety standards.

## HELPFUL HINTS

- ✓ Always wear eye protection when routing.
- ✓ A safe operator is one who thinks ahead.
- ✓ Plan each operation before you begin.
- ✓ Study all safety rules and do the job safely.
- ✓ Don't let familiarity make you careless.
- ✓ **NEVER** place your hands in jeopardy.
- ✓ Always clamp workpiece securely before routing.
- ✓ Make certain clamps can't loosen while in use.
- ✓ Make set-up adjustments carefully. Then double check. Measure twice and cut once.
- ✓ Provide for smoother operation by cleaning your router frequently. Shake router or blow with an air jet to remove sawdust build-up.
- ✓ Keep cutters clean and properly sharpened.
- ✓ Check depth of cut settings carefully. Don't waste lumber by making too deep a cut. Make several shallow passes, lowering the cutter for each new pass.
- ✓ Test difficult set-ups on scrap — Don't waste lumber.
- ✓ **THINK SAFETY BY THINKING AHEAD.**



**NOTE: "A" – The assembly shown represents an important part of the Double Insulated System. To avoid the possibility of alteration or damage to the system, service should be performed by your nearest Sears Repair Center. Contact your nearest Sears Retail Store.**

## CRAFTSMAN ROUTER – MODEL NUMBER 315.268350

The model number will be found on a plate attached to the motor housing. Always mention the model number in all correspondence regarding your **ROUTER** or when ordering repair parts.

### PARTS LIST

Key No.	Part Number	Description	Quan.	Key No.	Part Number	Description	Quan.
1	622167-028	Retaining Ring .....	1	36	706382-817	Washer .....	1
2	970738-002	Torsion Spring .....	1	37	970732-001	Depth Adjustment Rod .....	1
3	970742-001	Stop Plug .....	1	38	970864-001	Chip Shield .....	1
4	974433-001	Clamp Bolt .....	1	39	614658-010	* Screw (#8-32 x 3/8 in. Pan Hd.) **STD510803 .....	1
5	970743-001	Keyed Washer .....	1	40	970865-001	Subbase .....	1
6	970740-001	* Screw (#1/4-28 x 1-5/8 in. Hex Soc. Hd.) ....	1	41	622183-042	* Screw (#8-32 x 3/8 in. Flat Hd.) **STD510803 .....	4
7	931744-006	Washer **STD551225 .....	1	42	970755-204	Base Assembly .....	1
8	622171-055	* Hex Nut (#1/4-28) .....	1	43	970772-001	Compression Spring .....	1
9	970760-001	Lock Actuator .....	1	44	967711-000	1/4 in. Steel Ball .....	1
10	970758-001	Lock Handle Cover .....	1	45	970722-005	Depth Stop Block (Turret) .....	1
11	971094-001	Posilock Label .....	1	46	705404-801	* Hex Nut (#10-24) .....	3
12	970762-001	Release Actuator .....	1	47	940021-006	* Screw (#10-24 x 1/2 in. Cap Soc. Hd.) .....	3
13	970736-001	Compression Spring .....	1	48	706239-830	Washer .....	1
14	617966-030	* Screw (#8-10 x 5/8 in. Pan Hd.) .....	5	49	622347-019	Spring Washer .....	1
15	970764-001	Brush Cap .....	2	50	970712-001	Shoulder Screw .....	1
16	970875-001	Brush Assembly .....	2	51	970741-001	Dust Boot .....	2
17	983207-001	Data Plate .....	1	52	970754-001	Compression Spring .....	2
18	981252-001	Logo Plate .....	1	53	970723-001	Guide Pin .....	2
19	622167-071	Retaining Ring .....	4	54	982860-001	1/2 in. Collet .....	1
20	970770-001	Zero Reset Indicator .....	1	55	982859-001	1/2 in. Collet Nut .....	1
21	931744-063	Washer .....	1	56	982897-108	Retaining Ring .....	1
22	703493-820	Washer .....	1	57	982987-001	1/4 in. Adapter .....	1
23	970720-202	Retainer Plate .....	1	58	982889-001	Wrench .....	1
24	622931-008	* Screw (#6-32 x 3/8 in. Fil. Hd.) .....	2	59	060721-630	*** Guide Bushing w/Nut (1/4 in. x 5/16 in.) .....	1
25	970734-001	Compression Spring .....	1	60	060721-530	*** Guide Bushing w/Nut (1/4 in. x 3/8 in.) .....	1
26	970717-002	Adjustment Knob .....	1	61	060721-430	*** Guide Bushing w/Nut (1/2 in. x 5/8 in.) .....	1
27	970715-002	Lock Knob .....	1	62	060721-030	*** Guide Bushing w/Nut (11/32 in. x 7/16 in.) .....	1
28	622347-017	Spring Washer .....	1	63	972160-001	*** Guide Bushing Adapter .....	1
29	622167-070	Retaining Ring .....	1	64	969357-002	*** Optional Roller Guide Assembly .....	1
30	970718-002	Depth Stop Bar .....	1	65	972421-000	*** Optional Guide Holder w/Hardware .....	1
31	970719-001	Stop Bar Pinion .....	1		972000-989	Operator's Manual	
32	989177-000	Retaining Ring kit .....	1				
33	970866-002	Depth Control Knob .....	1				
34	971137-001	Compression Spring .....	1				
35	607406-005	* Hex Nut (#3/8-16) .....	2				

\* Standard Hardware Item — May Be Purchased Locally    \*\* Available From Div. 98 — Source 980.00  
 \*\*\* Optional Accessory (Not Shown) — May Be Purchased For Use On Your New Plunge Router



For repair of major brand appliances in your own home...  
no matter who made it, no matter who sold it!

**1-800-4-MY-HOME<sup>SM</sup>** Anytime, day or night  
(1-800-469-4663)

[www.sears.com](http://www.sears.com)

---

To bring in products such as vacuums, lawn equipment and electronics  
for repair, call for the location of your nearest **Sears Parts & Repair Center.**

**1-800-488-1222** Anytime, day or night

[www.sears.com](http://www.sears.com)

---

For the replacement parts, accessories and owner's manuals  
that you need to do-it-yourself, call **Sears PartsDirect<sup>SM</sup>**!

**1-800-366-PART** 6 a.m. – 11 p.m. CST,  
(1-800-366-7278) 7 days a week

[www.sears.com/partsdirect](http://www.sears.com/partsdirect)

---

To purchase or inquire about a Sears Service Agreement:

**1-800-827-6655**

7 a.m. – 5 p.m. CST, Mon. – Sat.

---

Para pedir servicio de reparación a domicilio,  
y para ordenar piezas con entrega a domicilio:

**1-888-SU-HOGAR<sup>SM</sup>**  
(1-888-784-6427)

Au Canada pour service en français:

**1-877-LE-FOYER<sup>SM</sup>**  
(1-877-533-6937)

**SEARS**  
HomeCentral<sup>SM</sup>

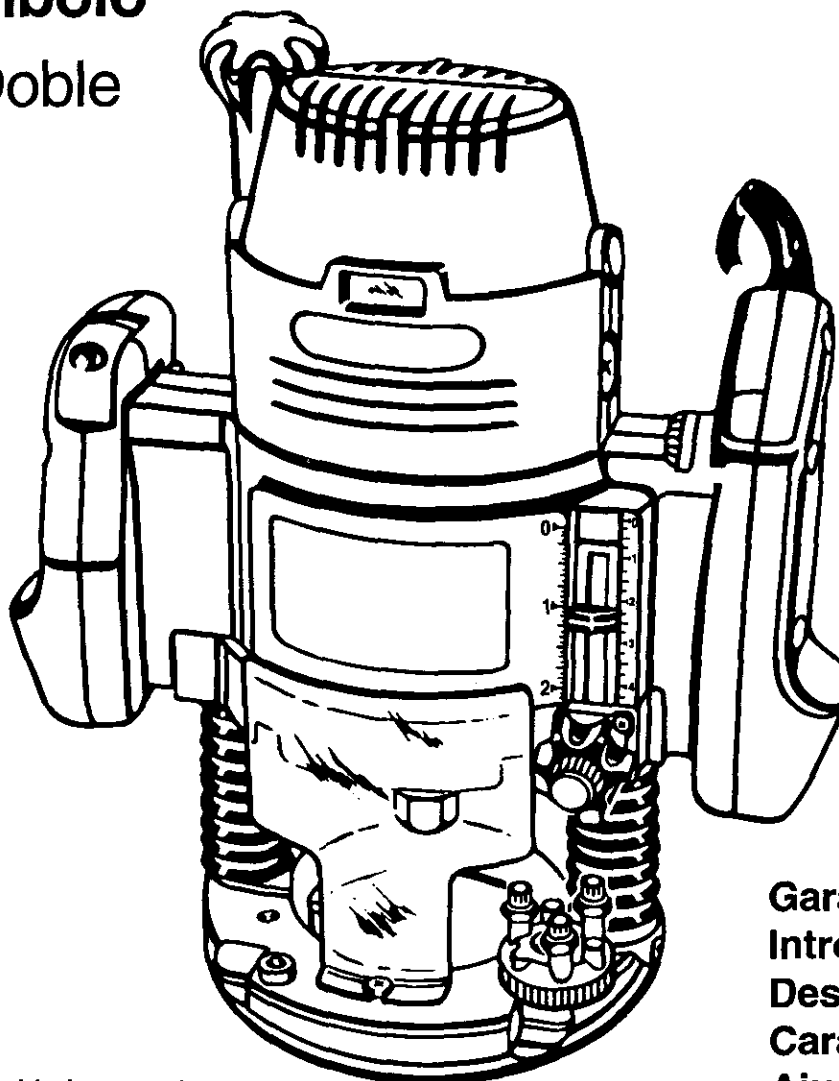
# Manual del Usuario

## CRAFTSMAN®

### Tupí Electrónico Industrial con Efecto de Embolo

### Aislamiento Doble

Modelo N°  
315.268350



Conserve este manual para referencia futura

**⚠ ATENCION:** Lea cuidadosamente todas las Reglas de Seguridad y las Instrucciones antes de usar esta herramienta.

**Garantía  
Introducción  
Desempaque  
Características  
Ajustes  
Funcionamiento  
Mantenimiento  
Repuestos**

N° de teléfono de ayuda a los clientes: 1-800-932-3188

Sears, Roebuck and Co., 3333 Beverly Rd. Hoffman Estates, IL 60179 USA  
Visite la página Web de Craftsman: [www.sears.com/craftsman](http://www.sears.com/craftsman)


972000-989  
4-02



Impreso en EE.UU.

# REGLAS PARA FUNCIONAMIENTO SEGURO

**EL AISLAMIENTO DOBLE** es un concepto de seguridad, en las herramientas mecánicas eléctricas, que elimina la necesidad del cordón normal de tres hilos puesto a tierra y el sistema de suministro de energía puesto a tierra. En cualquier parte en que haya corriente eléctrica en la herramienta hay dos juegos completos de aislamiento para proteger al usuario. Todas las piezas metálicas expuestas están aisladas de los componentes mecánicos internos con aislamiento protector.

 **ADVERTENCIA:** El sistema de aislamiento doble está destinado a proteger al usuario contra los choques eléctricos que resultan de una rotura en el cableado interno de la herramienta. Observe todas las precauciones de seguridad normales para evitar choques eléctricos.

## LEA TODAS LAS INSTRUCCIONES

- **CONOZCA SU HERRAMIENTA MECANICA.** Lea cuidadosamente el manual del usuario. Aprenda sus aplicaciones y limitaciones así como también los riesgos potenciales específicos relacionados con esta herramienta.
- **PROTEJASE CONTRA CHOQUE ELECTRICO** evitando contacto del cuerpo con las superficies puestas a tierra. Por ejemplo: las tuberías, radiadores, estufas y las cajas de refrigeradores.
- **MANTENGA LOS PROTECTORES EN SU LUGAR** y en buen estado de funcionamiento.
- **MANTENGA EL AREA DE TRABAJO LIMPIA.** Los lugares y bancos de trabajo desordenados invitan a los accidentes.
- **EVITE TODOS LOS AMBIENTES PELIGROSOS.** No use su herramienta mecánica donde haya humedad, en lugares mojados o donde esté expuesta a la lluvia. Mantenga el lugar de trabajo bien iluminado.
- **MANTENGA A LOS NIÑOS Y A LOS ESPECTADORES ALEJADOS.** Todos los espectadores deben usar lentes de seguridad y ser mantenidos a una distancia prudente del área de trabajo. No deje que los espectadores toquen la herramienta o el cordón de extensión.
- **ALMACENAMIENTO DE LAS HERRAMIENTAS QUE NO SE USAN.** Cuando no están en uso las herramientas deben ser guardadas en un lugar seco, alto o bajo llave - fuera del alcance de los niños.
- **NO FUERCE LA HERRAMIENTA.** El trabajo quedará hecho mejor y de manera más segura si la herramienta trabaja a la velocidad a la cual fue diseñada.
- **USE LA HERRAMIENTA CORRECTA.** No fuerce a una herramienta o a un accesorio pequeño que haga el trabajo de una herramienta de servicio pesado. No use la herramienta para propósitos que no ha sido diseñada - por ejemplo - no use una sierra circular para cortar troncos o ramas de árboles.
- **USE VESTIMENTA ADECUADA.** No use ropa o joyas

**IMPORTANTE** - La reparación de las herramientas con aislamiento doble requiere extremo cuidado y conocimiento del sistema y debe ser realizada solamente por un técnico de servicio calificado. Para toda reparación, le sugerimos que lleve la herramienta a su Almacén Sears más cercano. Siempre use repuestos de fábrica originales cuando efectúe alguna reparación.



**ADVERTENCIA:** No intente hacer funcionar esta herramienta si antes haber leído y comprendido bien todas las instrucciones, las reglas de seguridad, etc., indicadas en este manual. El incumplimiento de estas instrucciones puede ocasionar accidentes, incendio, choque eléctrico o lesiones personales graves. Conserve el manual del usuario y estúdielo frecuentemente para poder utilizar la herramienta con seguridad y poder comunicar las instrucciones apropiadas a otras personas que utilicen esta herramienta.

sueitas, pues pueden quedar atrapadas en las piezas móviles de la herramienta y causar lesión personal. Se recomienda cuando se trabaja al aire libre usar guantes y calzado antirresbaladizo. También, protéjase el cabello largo y sujételo a fin de evitar que quede atrapado en los respiraderos de aire cercanos.

- **USE SIEMPRE LENTES PROTECTORES.** Los anteojos regulares tienen solamente lentes resistentes al impacto; ellos **NO** son lentes de seguridad.
- **PROTEJA SUS PULMONES.** Utilice una máscara contra el polvo si va a trabajar en un ambiente de mucho polvo.
- **PROTEJA SU AUDICION.** Utilice protección para los oídos durante períodos prolongados de funcionamiento.
- **NO ABUSE DEL CORDON.** Nunca transporte la herramienta por el cordón o la tire del cordón para desconectarla del tomacorriente. Mantenga el cordón alejado del calor, del aceite y de los bordes afilados.
- **SUJETE EL TRABAJO.** Use mordazas o un tornillo de banco para sujetar el trabajo. Se necesitan ambas manos para hacer funcionar esta herramienta.
- **NO USE LA HERRAMIENTA A UNA DISTANCIA DEMASIADO ALEJADA.** Mantenga siempre un buen equilibrio y una posición firme. No la utilice en una escalera o en un apoyo inestable.
- **MANTENGA BIEN CUIDADA LA HERRAMIENTA.** Mantenga la herramienta afilada en todo momento y limpia para un rendimiento mejor y más seguro. Siga las instrucciones de lubricación y de cambio de accesorios.
- **DESCONECTE LAS HERRAMIENTAS.** Cuando no estén en uso, antes del servicio o cuando cambia accesorios, hojas, brocas, fresas, lijas, etc., todas las herramientas deben de estar desconectadas de la fuente de alimentación.
- **SAQUE LAS LLAVES DE AJUSTE Y LAS LLAVES DE TUERCAS.** Acostúmbrese a revisar para verificar si las



**Este símbolo le indica importantes reglas de seguridad.  
¡Significa atención! Existe riesgo para su seguridad.**

# REGLAS PARA FUNCIONAMIENTO SEGURO

llaves de ajuste y las llaves de tuercas han sido sacadas de la herramienta antes de ponerla en marcha.

- **EVITE LA PUESTA EN MARCHA ACCIDENTAL.** No transporte las herramientas que están enchufadas con el dedo sobre el interruptor. Asegúrese de que el interruptor esté en la posición "OFF" (apagado) al enchufarlas.
- **ASEGURESE DE QUE SU CORDON DE EXTENSION ESTE EN BUEN ESTADO.** Cuando use un cordón de extensión, asegúrese de que su diámetro sea suficiente para portar la corriente que necesita su herramienta. Un cordón de calibre inferior causará una pérdida en el voltaje de línea resultando en pérdida de potencia y sobrecalentamiento. Se recomienda un cordón de por lo menos calibre 14 (A.W.G.) para un cordón de extensión de 25 pies o menos de largo. No se recomienda el uso de un cordón que sobrepase los 25 pies de largo. Si tiene dudas, use el siguiente calibre de un diámetro mayor. Mientras más pequeño es el número del calibre, mayor es el diámetro del cordón.
- **USE CORDONES DE EXTENSION APROPIADOS PARA EL EXTERIOR.** Cuando la herramienta es usada al aire libre, use solamente cordones de extensión adecuados para uso al aire libre. Los cordones aprobados para uso al aire libre están marcados con el sufijo W-A, por ejemplo - SJTW-A o SJOW-A.
- **MANTENGA LAS FRESAS LIMPIAS Y AFILADAS.** Las fresas afiladas reducen a un mínimo la pérdida de velocidad y el contragolpe.
- **MANTENGA LAS MANOS ALEJADAS DEL AREA DE CORTE.** Mantenga las manos alejadas de las fresas. No trate de alcanzar por debajo del trabajo cuando el cortador está girando. No intente sacar material cortado cuando la hoja está en movimiento.
- **NUNCA USE EN UNA ATMOSFERA EXPLOSIVA.** Las chispas normales del motor pueden hacer explotar los vapores.
- **INSPECCIONE LOS CORDONES DE LA HERRAMIENTA PERIODICAMENTE** y si están dañados hágalos reparar en su Centro de Reparación Sears más cercano. Siempre esté atento de la ubicación del cordón.
- **INSPECCIONE LOS CORDONES DE EXTENSION PERIODICAMENTE** y reemplácelos si están dañados.
- **MANTENGA LAS MANIJAS SECAS, LIMPIAS Y SIN ACEITE NI GRASA.** Siempre use un paño limpio para efectuar la limpieza. Nunca use líquido de frenos, gasolina, productos a base de petróleo o solventes para limpiar su herramienta.
- **MANTENGASE ALERTA.** Ponga atención a lo que está haciendo y use sentido común. No haga funcionar la herramienta cuando esté cansado. No se apresure para realizar el trabajo.
- **INSPECCION DE PIEZAS DAÑADAS.** Antes de seguir utilizando la herramienta, inspeccione para determinar si algún protector o cualquier pieza que esté dañada funcionará debidamente. Verifique el alineamiento de las piezas móviles, si están atascadas o si hay rotura de piezas, revise además el montaje y cualquier otro estado que pueda afectar su funcionamiento. Si se daña un protector o cualquier otra pieza debe ser reparada o reemplazada por un centro de servicio autorizado, a menos que se indique en otro lugar en este manual del usuario.
- **NO USE LA HERRAMIENTA SI EL INTERRUPTOR NO FUNCIONA DEBIDAMENTE.** Haga reemplazar el interruptor defectuoso por un distribuidor autorizado.
- **INSPECCIONE** y saque todos los clavos de la madera antes de efectuar un corte.
- **DROGAS, ALCOHOL, MEDICINAS.** No haga funcionar la herramienta cuando esté bajo la influencia de drogas, alcohol o haya tomado medicina.
- **CUANDO EFECTUE LABORES DE MANTENIMIENTO USE SOLAMENTE REPUESTOS CRAFTSMAN AUTENTICOS.**
- **ENCHUFES POLARIZADOS.** Para reducir el riesgo de choque eléctrico, el cargador tiene un enchufe polarizado (una hoja de contacto es más ancha que la otra). Este enchufe puede colocarse en un cordón de extensión en una sola dirección solamente. Si el enchufe no calza bien en el cordón de extensión, invierta el enchufe del cordón de extensión. Si todavía no calza, no use este cordón de extensión, obtenga otro que acepte enchufes polarizados. No modifique el enchufe de ninguna manera.
- **NO USE LA HERRAMIENTA SI SE PRODUCE PERDIDA DE TENSION U OTRAS SITUACIONES EN QUE EL VOLTAJE SEA BAJO.** Tampoco use con ningún otro dispositivo que pueda provocar cambio en el voltaje de la fuente de energía.
- **CUANDO USE ESTE TUPI CON UNA MESA PARA TUPI, AYUDE A EVITAR POSIBLES LESIONES GRAVES MANTENIENDO LA FRESA PROTEGIDA EN TODO MOMENTO.** Use solamente mesas para tupís con protectores que han sido diseñados para usar con tupís de este tipo, tamaño y peso.
- **CONSERVE ESTAS INSTRUCCIONES.** Consúltelas con frecuencia y úselas para ayudar a otros que puedan usar esta herramienta. Si usted presta esta herramienta a otra persona, entregue también las instrucciones.



**ADVERTENCIA:** El polvo creado por el lijado mecánico, aserrado, rectificado, taladrado y otras actividades empleadas en construcción contiene productos químicos que se sabe causan cáncer, defectos congénitos u otros daños al sistema reproductor. Algunos de estos productos químicos son:

- plomo proveniente de pinturas a base de plomo
- sílice cristalizada de ladrillos y cemento y otros productos de albañilería y,
- arsénico y cromo de madera tratada químicamente.

Su riesgo de exposición a estos productos varía dependiendo de cuan a menudo usted hace este tipo de trabajo. Para reducir su exposición a estos productos químicos: trabaje en lugares bien ventilados y utilice equipo de seguridad aprobado, tal como máscaras contra el polvo especialmente diseñadas para filtrar partículas microscópicas.

# INTRODUCCION

## FELICITACIONES Y NUESTRO AGRADECIMIENTO POR HABER COMPRADO ESTE TUPI CRAFTSMAN.

Ha sido diseñado y fabricado de acuerdo con las altas normas de Sears de fiabilidad, facilidad de funcionamiento y seguridad para el usuario. Si esta herramienta es mantenida en la forma debida, le proporcionará muchos años de rendimiento sin problemas.



**ATENCIÓN:** Lea cuidadosamente todos este manual antes de usar su nuevo tupí. Preste mucha atención a las Reglas de Seguridad así como a las Advertencias y Avisos. Si usted utiliza el tupí debidamente y solamente para el propósito que ha sido diseñado, usted disfrutará de muchos años de servicio seguro.

Su tupí tiene muchas características que contribuyen a facilitar y hacer más agradable su trabajo. Se ha dado prioridad máxima a la seguridad, rendimiento y dependabilidad en el diseño de este tupí por lo cual es fácil de mantener y operar.

## ESPECIFICACIONES:

Profundidad del Corte	0 – 2-1/2 Pulg.
Portafresa	1/2 pulg.
Adaptador	1/4 pulg.
HP	3,5
Potencia Nominal	120 Voltios, 60 Hz, CA Solamente, 15 Amperios
Velocidad Sin Carga	10.000 - 22.000 RPM
Cordón de Energía	10 Pies
Peso Neto	12,8 Libras

## GARANTIA COMPLETA DE UN AÑO DEL TUPI ELECTRONICO INDUSTRIAL CON EFECTO DE EMBOLO CRAFTSMAN

Si este Tupí Electrónico Industrial con Efecto de Embolo Craftsman falla debido a un defecto de material o mano de obra dentro de un año de la fecha de compra, Sears lo reparará gratuitamente.

**EL SERVICIO BAJO GARANTIA PUEDE OBTENERSE DEVOLVIENDO LA HERRAMIENTA AL ALMACEN SEARS O CENTRO DE SERVICIO SEARS MAS CERCANO A TRAVES DE LOS ESTADOS UNIDOS.**

Esta garantía le otorga derechos legales específicos y usted puede además tener otros derechos que varían de un estado a otro.

Sears, Roebuck and Co.,  
DEPT. 817 WA,  
Hoffman Estates, IL 60179

## TABLA DE MATERIAS

1. Reglas para Funcionamiento Seguro .....	2-3
2. Introducción y Especificaciones del Producto .....	4
3. Garantía y Tabla de Materias .....	4
4. Desempaque .....	5
5. Características .....	5-7
6. Ajustes .....	8-12
7. Funcionamiento .....	13-18
8. Mantenimiento .....	19-23
9. Vista Esquemática y Lista de Repuestos .....	24-25
10. Pedidos de Repuestos/Servicio .....	26

# DESEMPAQUE

Su nuevo tupí con efecto de émbolo viene totalmente armado. Después de sacarlo de la caja, inspecciónelo cuidadosamente para asegurarse de que no está dañado y que no falta ninguna pieza. Ver Figura 1. Los siguientes accesorios deben también estar incluidos en la caja:

1. Llave (15/16 Pulg.)
2. Adaptador de 1/4 Pulg.



**ADVERTENCIA:** Si falta cualquiera de las piezas, no haga funcionar su tupí hasta que las piezas no hayan sido reemplazadas. De lo contrario puede resultar en una posible lesión personal grave.

## CARACTERÍSTICAS

Su tupí es una herramienta versátil para trabajar en madera que le dará años de rendimiento sin problemas. Está diseñada para uso profesional, pero debido a la facilidad de funcionamiento es posible que los aficionados puedan utilizarla para producir trabajos hermosos y a la vez precisos.

### MOTOR DE 3,5 HP

Su tupí tiene un potente motor de 3,5 HP con suficiente potencia para manejar trabajos de recorte difíciles. El motor también tiene escobillas accesibles externamente para facilidad del servicio.

### ARRANQUE SUAVE

La característica de arranque suave aumenta gradualmente las RPM del motor a fin de reducir a un mínimo la torsión de arranque. Al apretar o soltar el gatillo se pondrá en marcha o se apagará su tupí.

### BOTÓN DE CONTROL DE PROFUNDIDAD

Un botón grande de control de profundidad permite hacer cambios precisos de la profundidad del corte. Además es muy útil cuando se hacen cambios a la profundidad de corte cuando su tupí está instalado invertido en una mesa de tupí.

### SISTEMA DE TOPE DE PROFUNDIDAD

El tope de profundidad situado en la base de su tupí provee tres topes ajustables y tres topes fijos para efectuar cambios rápidos de la profundidad de corte. Una escala de regulación de la profundidad permite el ajuste rápido de los cambios de profundidad de los cortes. El botón de ajuste a resorte permite desenganchar rápidamente la barra de tope al oprimir el centro del botón.

### CAPACIDAD PARA VASTAGOS DE 1/4 PULG. Y 1/2 PULG.

Su tupí tiene un portafresa de 1/2 pulg. de diámetro que permite el uso de fresas con vástagos de 1/2 pulg. Se ha suministrado además un adaptador de 1/4 pulg. a fin de que también se puedan usar fresas con vástagos de 1/4 pulg.

### PROTECTOR CONTRA ASTILLAS

En la base de su tupí se ha instalado un protector contra astillas de plástico transparente para protección contra el polvo y las astillas que saltan. Ha sido diseñado para que calce en la abertura delantera en la base del tupí.

### BLOQUEO DEL HUSILLO 'POSILOCK'

El bloqueo del husillo 'posilock' permite asegurar el husillo de manera que sólo sea necesaria una llave para soltar la tuerca del portafresa y cambiar las fresas. Una luz indicadora de bloqueo del husillo le advierte que el husillo está bloqueado si es que usted enchufa el tupí antes de desbloquear el husillo.

**NOTA:** El tupí no funcionará si el husillo está bloqueado.

### CARACTERÍSTICA DE "BLOQUEO EN MARCHA"

Su tupí está equipado con una característica de "bloqueo en marcha" que es conveniente cuando se necesita operación continua por períodos largos de tiempo.

### MANIJAS GRANDES

El tupí tiene manijas de gran tamaño para su fácil manejo y mantención del control apropiado cuando esté ranurando. La manija izquierda le permite ajustar la profundidad de corte de la fresa cuando se hacen cortes por penetración, a la vez que la manija derecha permite fácil acceso al gatillo, al botón de bloqueo y al selector de velocidad variable. Las manijas también han sido diseñadas de modo que sean fáciles y confortables de sujetar cuando se trabaja en las diferentes posiciones o en ángulos diferentes.

### INTERRUPTOR DE VELOCIDAD VARIABLE CON CONTROL ELECTRONICO DE VELOCIDAD (Bucle Cerrado)

Su tupí tiene características electrónicas modernas, diseñadas para ayudarle a obtener el máximo uso posible de su herramienta. Haciendo las selecciones de velocidad adecuadas, su tupí puede ser ajustado a las necesidades específicas de su trabajo. Esto elimina en gran parte el trabajo anterior de tener que adivinar para realizar un trabajo determinado. Tanto el recortador con experiencia como el aficionado se benefician, obteniendo resultados profesionales con muchos menos errores. El control de velocidad variable permite que el tupí desarrolle una velocidad sin carga que puede ser ajustada de 10.000 a 22.000 RPM. El selector del control de velocidad variable está convenientemente situado en el interior de la manija derecha, cerca del pulgar o mano del usuario.

La característica electrónica de su tupí ofrece la flexibilidad de ajustar la velocidad del motor a las condiciones de trabajo requeridas. Un módulo electrónico del control de velocidad detecta la carga aplicada al motor y aumenta o disminuye el voltaje del motor para compensar y mantener las RPM deseadas.

La velocidad puede ser ajustada de acuerdo con el diámetro aproximado de la fresa que vaya a usar y la dureza del material que está siendo cortado. Los mejores cortes son hechos cuando la fresa es avanzada a través del material a la velocidad adecuada.

# CARACTERISTICAS

## CONOZCA SU TUPI ELECTRONICO

Antes de intentar usar su tupí, familiarícese con todas las características de operación y los requerimientos de seguridad. Ver Figuras 1 y 2.



**ADVERTENCIA:** No permita que su familiaridad con su tupí interfiera con su atención y prudencia. Recuerde que un descuido de una fracción de segundo puede causar una lesión grave.

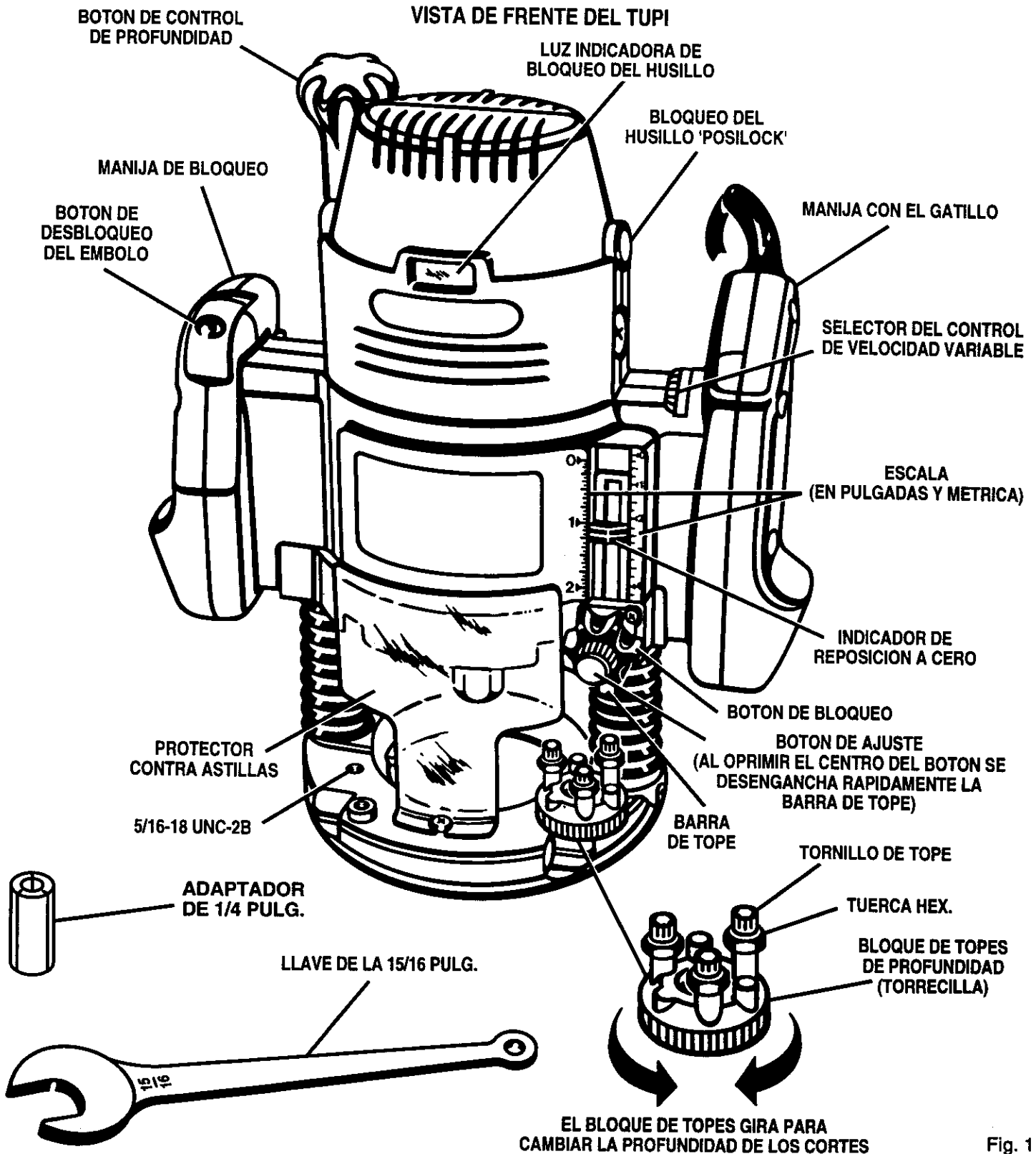


Fig. 1

# CARACTERISTICAS

## VISTA DE ATRAS DEL TUPI

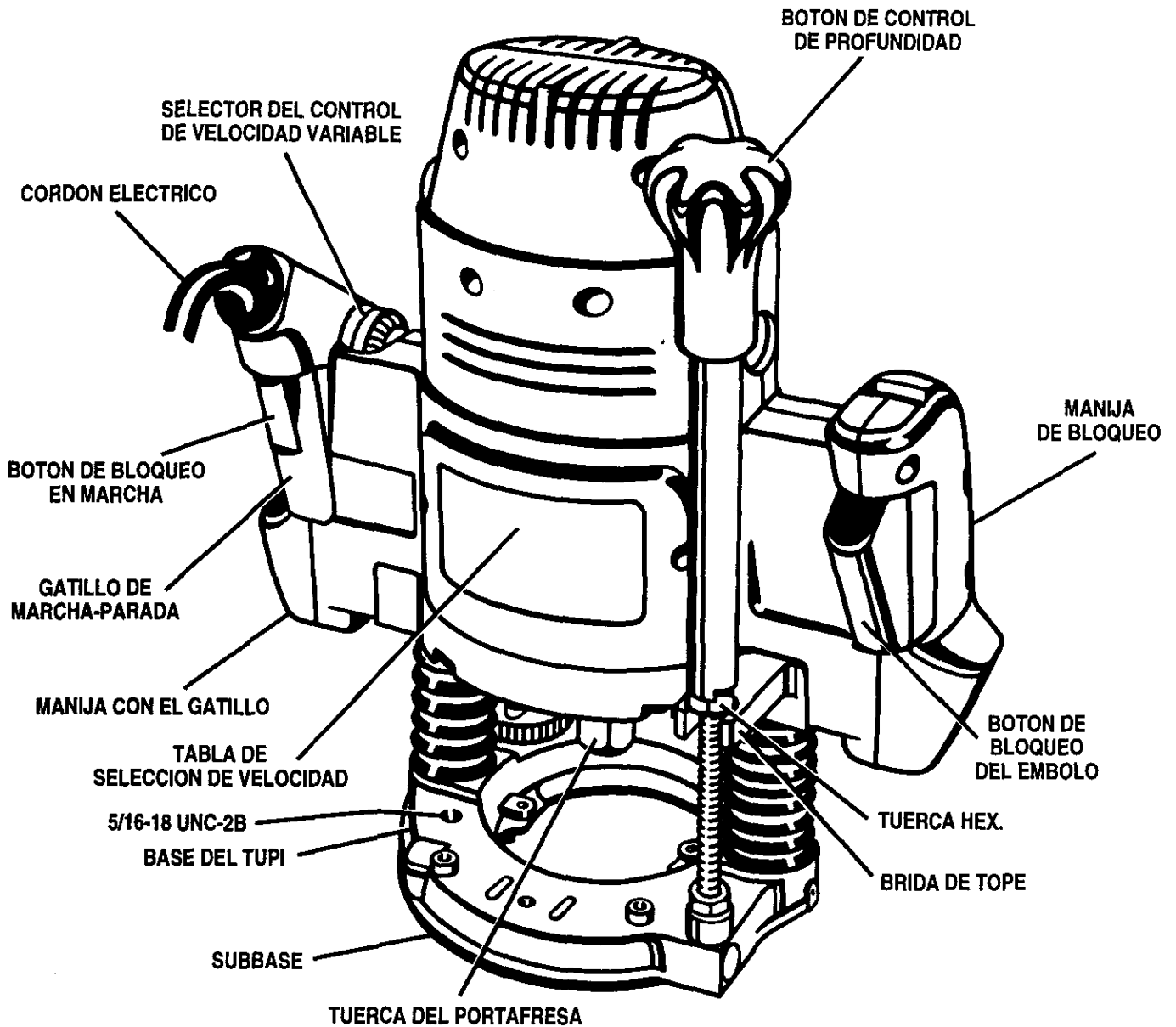


Fig. 2

## CONEXION ELECTRICA

Su tuپی tiene un motor eléctrico construido a precisión. Debe ser conectado a una fuente de alimentación de 120 voltios, 60 Hz, CA **solamente** (la corriente normal del hogar). No haga funcionar esta herramienta con corriente continua (CC). Una caída de voltaje de más de un 10 por ciento puede causar pérdida de potencia y sobrecalentamiento. Si su herramienta no funciona cuando está enchufada, vuelva a verificar la fuente de alimentación.



## ADVERTENCIA:



La utilización de cualquier herramienta mecánica puede causar la proyección de materias extrañas a sus ojos, lo cual puede ocasionar daños oculares graves. Antes de comenzar a usar la herramienta mecánica, siempre use sus lentes protectores o gafas de seguridad con protección lateral y una máscara completa cuando sea necesario. Recomendamos una Máscara de Visión Amplia para usar sobre sus lentes protectores o lentes de seguridad estándar, con protección lateral, disponible en los Almacenes Sears. Siempre use protección para los ojos que cumpla con la norma ANSI Z87.1.

**ADVERTENCIA:** Su tupí no debe estar enchufado a la fuente de alimentación cuando esté instalando las piezas, haciendo ajustes, instalando o sacando fresas o cuando no está en uso. Al desenchufar el tupí evitará la puesta en marcha accidental que podría provocar una lesión personal grave.

## INSTALACION/CAMBIO DE FRESAS

Ver Figura 3, 4 y 5.

### ■ DESENCHUFE SU TUPÍ

**ADVERTENCIA:** Si no se desenchufa el tupí, se puede producir la puesta en marcha accidental causando una lesión personal grave.

■ Coloque el bloqueo del husillo 'posilock' en la posición de bloqueo. Ver Figura 3. **Nota:** Si el husillo no queda bloqueado, gire la tuerca del portafresa con la llave, aplicando a la vez presión al bloqueo del husillo con su pulgar o con su dedo. Cuando el mecanismo de bloqueo engancha la entalladura del husillo, el husillo quedará en la posición de bloqueo.

**ADVERTENCIA:** Para evitar que se dañe el husillo o el bloqueo del husillo, no intente enganchar el bloqueo del husillo cuando el motor está funcionando. Siempre deje que el motor pare completamente y desenchufe la herramienta antes de enganchar el bloqueo del husillo.

■ Coloque el tupí invertido en el banco de trabajo o póngalo boca abajo de lado para tener fácil acceso a la tuerca del portafresa.

■ Coloque el extremo de 15/16 pulg. de la llave provista a través de la parte trasera de la base del tupí en la tuerca del portafresa y gire a la izquierda para aflojarla. Ver Figura 4.

**ADVERTENCIA:** Si usted está cambiando una fresa inmediatamente después de haber usado la herramienta, tenga cuidado de no tocar la fresa o el portafresa con sus manos o con sus dedos. Se puede quemar debido a la acumulación de calor producida por el corte. Siempre use la llave que se proporciona.

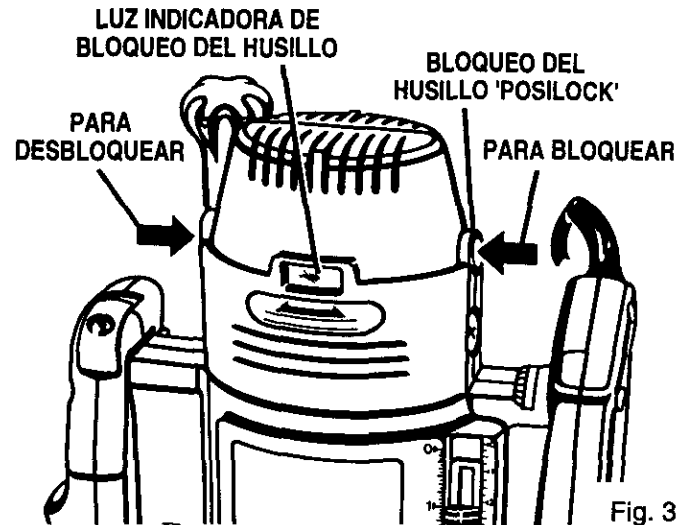


Fig. 3

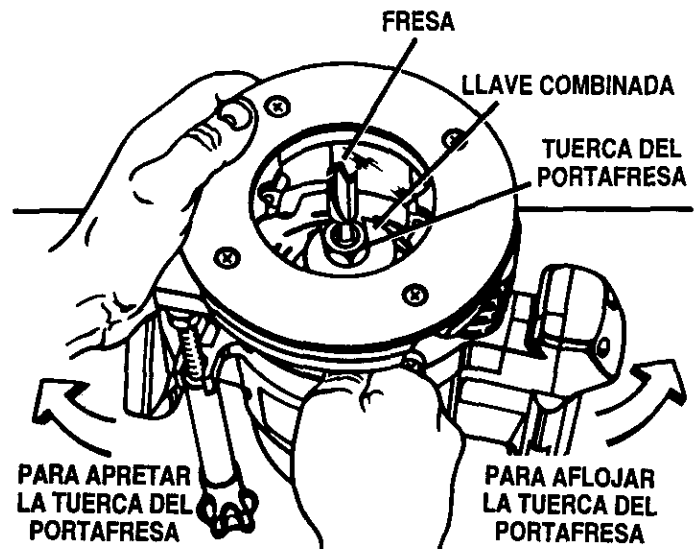


Fig. 4

## INSTALACION/CAMBIO DE FRESAS (Continuación)

- Si está instalando la fresa por primera vez, puede instalarla una vez que la tuerca del portafresa esté suelta. Si está cambiando fresas, la fresa se deslizará fácilmente fuera del portafresa después que se ha aflojado la tuerca.
- El portafresa de 1/2 pulg. está labrado a tolerancias muy precisas para poder recibir fresas con vástagos de 1/2 pulg. de diámetro. Como se mencionó anteriormente, se ha suministrado además con su tupí un conjunto de adaptador de 1/4 pulg. de modo que se pueden usar fresas que tengan vástagos de 1/4 pulg.
- Para usar fresas con vástagos de 1/4 pulg. de diámetro, inserte en el portafresas de 1/2 pulg. el adaptador de 1/4 pulg. provisto.
- Inserte el vástago de la fresa en el portafresa hasta que el vástago toque el fondo, luego tírela hacia afuera 1/16 pulg. para permitir expansión cuando la fresa se calienta.
- Apriete firmemente la tuerca del portafresa girándola a la derecha con la llave provista. Ver Figura 4.



**ADVERTENCIA:** Si la tuerca del portafresa no está firmemente apretada, la fresa puede salirse durante el uso causando lesiones personales graves.

- Coloque el bloqueo del husillo 'posilock' nuevamente en la posición de desbloqueo. De lo contrario, el mecanismo de enclavamiento del bloqueo del husillo no le dejará poner en marcha su tupí. Si usted se olvida de hacerlo, la luz de advertencia de bloqueo del husillo le indicará que el husillo está bloqueado cuando enchufe el tupí en el tomacorriente.

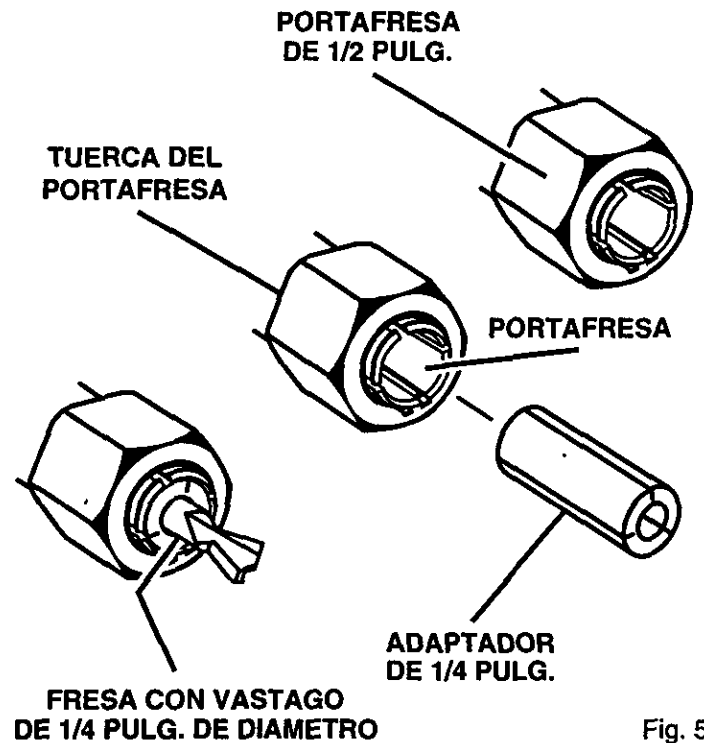


Fig. 5



**ADVERTENCIA:** No use fresas que tengan vástagos demasiado pequeños. Los vástagos más pequeños no quedarán debidamente apretados y pueden salirse de la herramienta causando lesiones.

## AJUSTES DE LA PROFUNDIDAD DE CORTE

Ver Figuras 6, 7 y 8.

Cuando se está recortando una ranura que es demasiado profunda para cortarla de una sola pasada, es mejor hacer el corte en varias pasadas. Recomendamos que se hagan varias pasadas para llegar a cortes más profundos.

La profundidad adecuada del corte depende de varios factores: la potencia del motor del tupí, el tipo de fresa que se está usando y el tipo de madera que está siendo recortada. Un tupí liviano de baja potencia está diseñado para hacer cortes poco profundos. Un tupí con mucha potencia puede cortar más profundamente con toda seguridad. Las fresas pequeñas tales como las fresas de acanalar con vástagos de 1/4 pulg. con diámetros de corte de 1/16 pulg. están diseñadas para sacar solamente pequeñas cantidades de madera. Las fresas grandes tales como las fresas para ranuras rectas con vástagos de 1/2 pulg., están hechas para sacar grandes cantidades de madera de una sola pasada. Los cortes pueden hacerse más profundos en maderas blandas tales como pino blanco, que en maderas duras tales como roble o arce. Basándose en estas consideraciones seleccione una profundidad de corte que no ponga demasiado esfuerzo en el motor del tupí. Si considera que se necesita más fuerza o que la velocidad del motor está disminuyendo considerablemente, apague el tupí y reduzca la profundidad del corte. Luego, haga el corte en dos o más pasadas.

## PARA ESTABLECER LA PROFUNDIDAD DE CORTE

### ■ DESENCHUFE SU TUPÍ.



**ADVERTENCIA:** Si no se desenchufa el tupí, se puede producir la puesta en marcha accidental causando una lesión personal grave.

- Levante la fresa oprimiendo el botón de desbloqueo del émbolo. Ver Figura 6.
- Ajuste el botón de control de profundidad hasta que la fresa esté dentro de la subbase del tupí. Ver Figura 7.
- Coloque el tupí en una superficie plana.
- Haga descender el tupí hasta que la punta de la fresa apenas toque la superficie plana. Ver Figura 8.
- Apriete el botón de bloqueo del émbolo para bloquear la fresa en la profundidad de corte "cero". **Nota:** Si se desea, ajuste el botón de control de profundidad hasta que la tuerca hexagonal toque la brida de tope. Esto proporciona un tope positivo en la profundidad de corte "cero".
- Gire el bloque de topes de profundidad a la posición deseada, afloje el botón de bloqueo, luego gire el botón de ajuste hasta que la barra de tope toque el tornillo de tope en el bloque de topes de profundidad.
- Deslice el indicador de reposición a cero hacia arriba o hacia abajo en la escala en la barra de tope hasta que la línea blanca en el indicador de reposición a cero coincida con el punto de referencia deseado. Por ejemplo, alinee la línea blanca con la marca de 1 pulg. en la escala.
- A continuación levante la barra de tope para obtener la profundidad de corte deseada. Ver Figura 8. Por ejemplo, si se determina el ajuste de profundidad de corte a 1/8 pulg. el indicador de reposición a cero se moverá a 1/8 pulg. desde el punto de referencia de 1 pulg. Apriete firmemente el botón.
- Coloque su tupí de manera que la fresa pueda pasar más allá de la subbase para el ajuste de profundidad deseado.
- Oprima el botón de desbloqueo del émbolo.
- Sujete las manijas y haga descender el tupí hasta que la barra de tope toque el tornillo de tope. Apriete el botón de bloqueo del émbolo, bloqueando la fresa en la profundidad de corte deseada. Ver Figura 9.

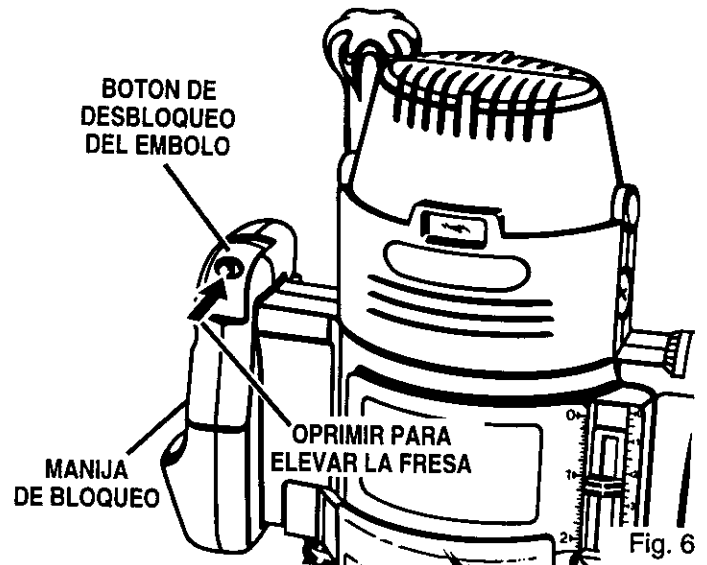


Fig. 6

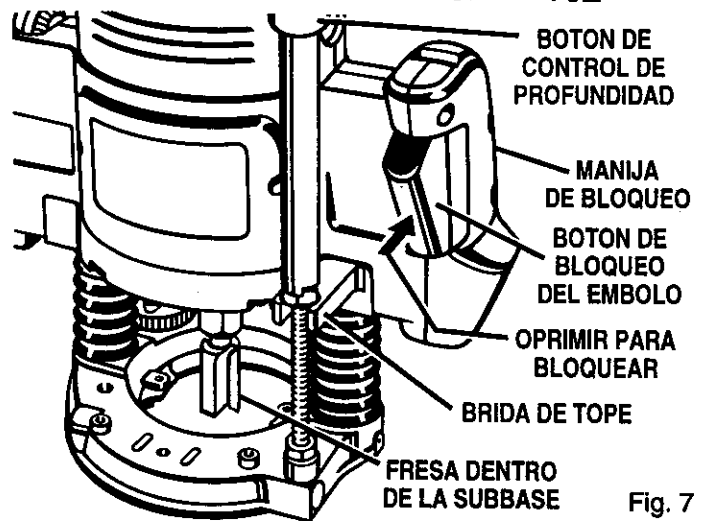


Fig. 7

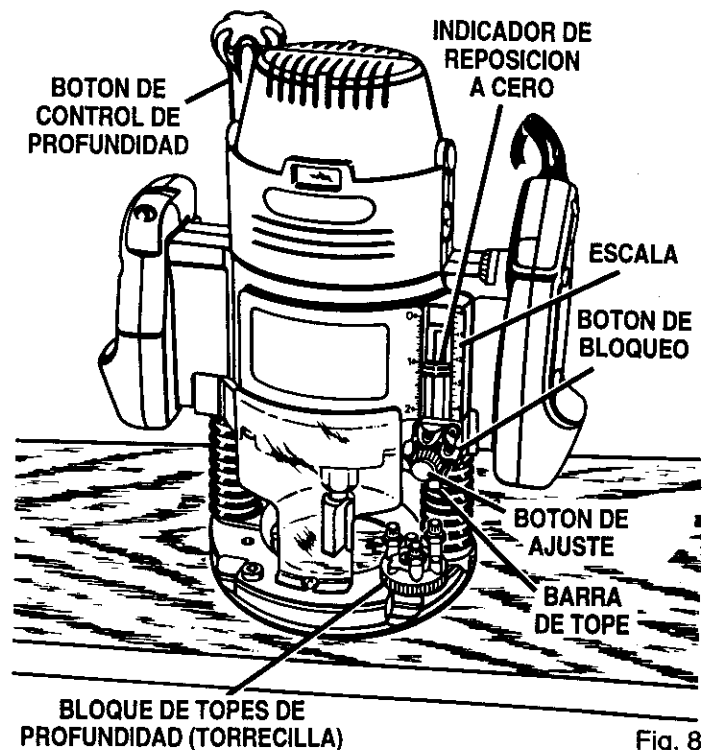


Fig. 8

## BOTON DE CONTROL DE PROFUNDIDAD

Ver Figura 9.

Se pueden hacer ajustes finos a la profundidad del corte mediante el uso del botón de control de profundidad. Otro uso primario del botón de control de profundidad es ajustar la profundidad del corte cuando el tupí está instalado invertido en una mesa de tupí. **NOTA:** El peso del tupí además de la extraña posición en que está cuando se instala en una mesa de tupí, exigen el uso del botón de control de profundidad.

## PARA ESTABLECER LA PROFUNDIDAD DE CORTE CON EL BOTON DE CONTROL DE PROFUNDIDAD

### ■ DESENCHUFE SU TUPI.



**ADVERTENCIA:** Si no se desenchufa el tupí, se puede producir la puesta en marcha accidental causando una lesión personal grave.

- Afloje el botón de bloqueo y gire el botón de ajuste de modo que la barra de tope no esté tocando los tornillos de tope o los topes fijos.
- Oprima el botón de desbloqueo del émbolo y haga volver el tupí a su posición más alta contra la tuerca hexagonal.
- Haga descender el tupí hasta que la fresa llegue a la profundidad de corte aproximada deseada. Luego oprima el botón de desbloqueo del émbolo, bloqueando temporalmente la fresa en la profundidad de corte deseada.
- Gire el botón de control de profundidad a la derecha hasta que la tuerca hexagonal se asiente contra la brida de tope. **No apriete demasiado la tuerca hexagonal contra la brida de tope.**
- Oprima el botón de desbloqueo del émbolo y gire el botón de control de profundidad hasta que la fresa llegue a la profundidad de corte deseada. **Siempre asegúrese de que el émbolo esté desbloqueado y el tupí esté libre antes de ajustar la profundidad de corte con el botón de control de profundidad.**
- Oprima el botón de bloqueo del émbolo, lo cual bloquea la fresa en la profundidad de corte deseada.
- Gire el botón de ajuste y ajuste la barra de tope hasta que toque el tornillo de tope deseado o el tope fijo.
- Apriete firmemente el botón de bloqueo.

El botón de control de profundidad está apoyado por un resorte contra la tuerca hexagonal. Si lo ajusta hasta muy arriba y se sale de la varilla roscada, consulte **AJUSTES DEL BOTON DE CONTROL DE PROFUNDIDAD** en la sección Mantenimiento, para la reinstalación adecuada.

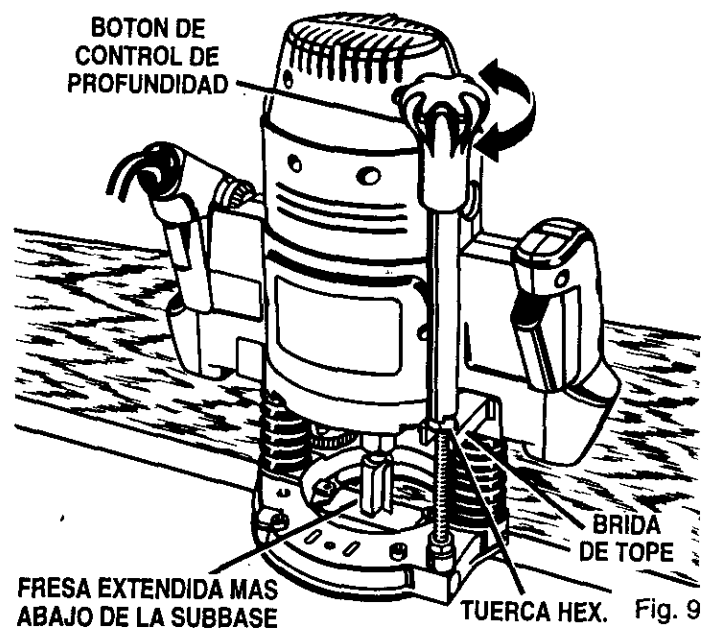
## SISTEMA DE TOPES DE PROFUNDIDAD

Ver Figura 10.

El bloque de topes de profundidad está ubicado en la base de su tupí y permite hacer cortes profundos o difíciles en pasadas sucesivas usando cambios preajustados de profundidad de corte. Se proveen tanto topes fijos como ajustables, lo cual permite que los cambios de profundidad de los cortes sean hechos en forma rápida y con facilidad. El bloque de topes de profundidad, también conocido como la torrecilla giratoria, gira en la base del tupí con posicionamiento de retén de bola.

Para llegar a una profundidad de corte preajustada, haga descender el tupí hasta que la barra de tope toque el tornillo de tope o el tope fijo en el bloque de topes de profundidad.

Los topes fijos están aproximadamente a 1/8 pulg. de separación. Los topes ajustables tienen tornillos que pueden ser ajustados aproximadamente 1/2 pulg.



FRESA EXTENDIDA MAS ABAJO DE LA SUBBASE  
TUERCA HEX. Fig. 9

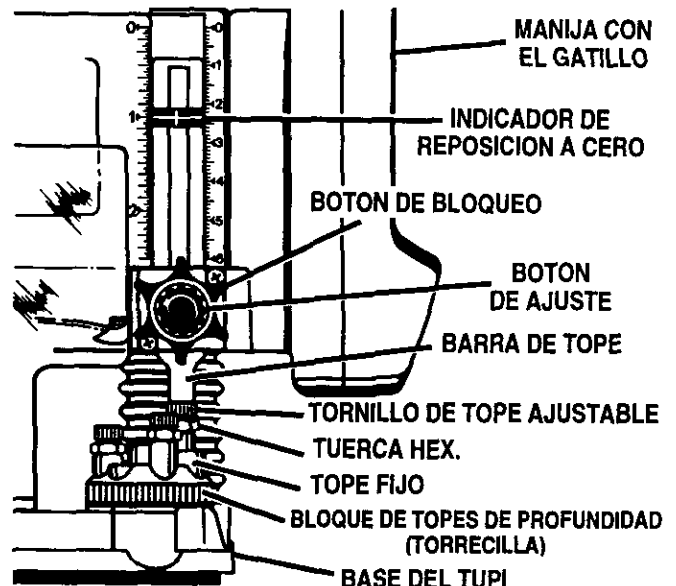


Fig. 10

## AJUSTE DEL BLOQUE DE TOPES DE PROFUNDIDAD

### ■ DESENCHUFE SU TUPI.

- Afloje el botón de bloqueo y gire el botón de ajuste a la derecha, elevando la barra de tope a su posición más elevada.
- Determine cual tope usar, ajustable o fijo, para la profundidad de corte deseada. Se puede usar una combinación de los dos tipos de topes si es requerido para un trabajo específico. Si se usan los topes ajustables, el tornillo del tope en cada tope puede ser ajustado a la altura deseada aflojando la tuerca hexagonal con de la llave de 3/8 pulg. y girándola hacia adentro o hacia afuera con los dedos. Asegure el tornillo del tope en su lugar apretando nuevamente la tuerca hexagonal con la llave. **No apriete demasiado la tuerca hexagonal.** Ajuste los topes a las alturas deseadas, repartiendo la profundidad de corte total entre el número de topes usados.
- Gire el bloque de topes de profundidad hasta que el tope de profundidad más alta esté alineado con la barra de tope.

## SISTEMA DE TOPES DE PROFUNDIDAD (Continuación)

- Eleve la fresa oprimiendo el botón de desbloqueo del émbolo.
- Coloque el tupí en una superficie plana y hágalo descender hasta que la punta de la fresa apenas toque la superficie plana.
- Oprima el botón de bloqueo del émbolo para bloquear la fresa en la profundidad de corte "cero".
- Gire el botón de ajuste a la izquierda para bajar la barra de tope contra el tope, luego apriete firmemente el botón de bloqueo. El tope más alto es ahora la profundidad de corte "cero".
- Oprima el botón de desbloqueo del émbolo y levante el tupí. Gire el bloque de topes de modo que el siguiente tope de profundidad más alta se alinee con la barra de tope. Esto posiciona a la fresa para la pasada inicial.
- Gire el bloque de topes de profundidad después de cada pasada. Haga tantas pasadas sucesivas como sea necesario para obtener la profundidad de corte deseada, progresivamente bajando el tupí al siguiente ajuste de profundidad de corte en cada pasada.

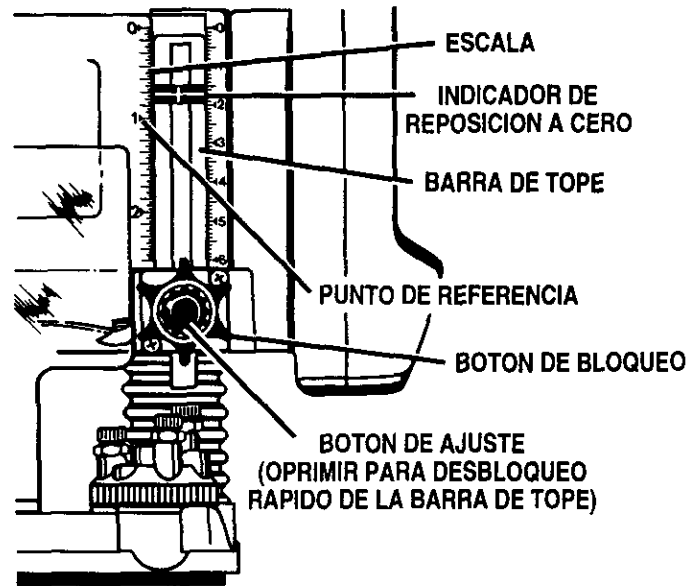


Fig. 11

## INDICADOR DE REPOSICION A CERO

Ver Figura 11.

El indicador de reposición a cero le permite usar la escala provista en la caja para hacer cambios rápidos de profundidad de los cortes a ajustes existentes de profundidad de corte. Simplemente seleccione un punto de referencia en la escala y deslice el indicador de reposición a cero hacia arriba o hacia abajo en la escala a la distancia requerida para la nueva profundidad de corte. Luego cambie la posición de la barra de tope aflojando el botón de bloqueo y girando el botón de ajuste hasta que la línea blanca en el indicador de reposición a cero se mueva de vuelta al punto de referencia. Apriete el botón de bloqueo firmemente para bloquear la barra de tope en la nueva posición. La posición de la fresa ahora aumentará o disminuirá la distancia exacta a que fué ajustada la barra de tope.

**Recuerde:** Cada marca en la escala de pulgadas indica un cambio de 1/32 de pulgada en el ajuste de la profundidad mientras que cada marca en la escala métrica equivale a un cambio de 1 mm en el ajuste de la profundidad; el botón de control de profundidad debe ser usado para hacer ajustes precisos a la profundidad del corte; y al oprimir el centro del botón de ajuste de profundidad se desbloquea rápidamente la barra de tope.

## SELECTOR DE CONTROL DE VELOCIDAD VARIABLE

Ver Figura 12.

Su tupí tiene un selector de control de velocidad variable que permite al operador controlar los límites de torsión y velocidad. Usted puede seleccionar la velocidad que mejor se adapte al tipo de corte, al material que está siendo cortado y al tamaño de la fresa que se está usando. El selector de control de velocidad variable le permite ajustar la velocidad del tupí de 10.000 a 22.000 rpm. El selector de control de velocidad variable tiene una escala de seis graduaciones desde la A a la F. Para aumentar la velocidad y la torsión de su tupí, gire el selector de control de velocidad variable a un ajuste alto. Para disminuir la velocidad y la torsión gire el control a un ajuste más bajo. **Nota:** Si no desea usar el selector de control de velocidad variable, gírelo a la velocidad más alta posible y ésto desactivará al selector.

La tabla de selección de velocidad muestra los ajustes de velocidad sugeridos, basándose en el diámetro de la fresa y en el tipo de material que está siendo cortado.

TABLA DE SELECCION DE VELOCIDAD				
MATERIAL	TAMAÑO DE LA FRESA			
	1/4	3/8	1/2	3/4
BLANDO	F	D-E	C-D	B-C
MEDIANO	E	E	C	B-C
DURO	D-E	C	C	C
MUY DURO	D	A-B	A	B

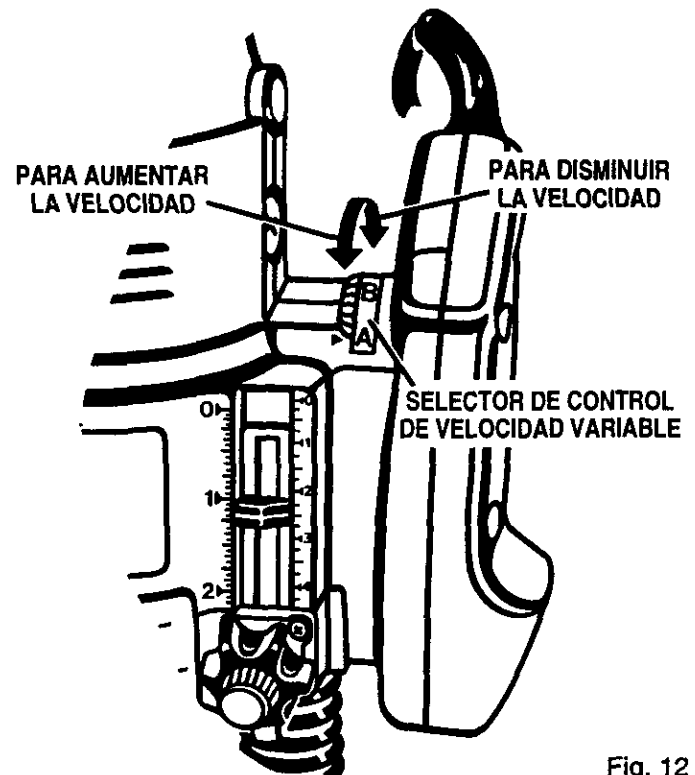


Fig. 12

## PRACTIQUE ANTES DE USAR LA HERRAMIENTA

Ver Figura 12.

Sugerimos que usted practique con la característica de velocidad variable de su tupí antes de instalar una fresa y hacer cortes en la madera.

# FUNCIONAMIENTO

**ADVERTENCIA:** Use siempre gafas protectoras o lentes de seguridad con protección lateral cuando haga funcionar su tupí. De lo contrario puede que le salte polvo, virutas, partículas sueltas u objetos extraños a sus ojos causando una posible lesión grave. En los ambientes con demasiado polvo use también una máscara antipolvo.

## BOTON DE "BLOQUEO EN MARCHA"

Ver Figura 13.

El gatillo de "marcha-parada" ('on-off') de su tupí está dotado de un botón de "bloqueo en marcha" que es conveniente cuando se hace funcionar por períodos de tiempo prolongados. El botón de "bloqueo en marcha" está situado en la parte superior del gatillo de "marcha-parada" ('on-off'). Es similar a un interruptor basculante. Para bloquear en marcha, oprima a fondo el gatillo de "marcha-parada", luego oprima el botón de "bloqueo en marcha" situado en la parte superior del gatillo de "marcha-parada" y suéltelo. Usted oírá cuando el botón de "bloqueo en marcha" coloca el gatillo en la posición de bloqueo. Para desbloquear, oprima la parte saliente del botón de "bloqueo en marcha".

**ADVERTENCIA:** Antes de conectar su tupí a la fuente de energía eléctrica, siempre verifique si no está en la posición de "bloqueo en marcha". De lo contrario usted puede producir la puesta en marcha accidental de su tupí resultando en una posible lesión seria.

## UTILIZACION DEL TUPI

Ver Figura 14.

Para facilidad de operación y mantenimiento de control apropiado su tupí tiene dos manijas, una a cada lado de la base. Cuando use su tupí, sujételo firmemente con ambas manos como se muestra en la Figura 14.

Antes de poner en marcha el tupí, desenchúfelo para asegurarse de que la fresa esté firmemente colocada en el portafresa y que la profundidad del corte está adecuadamente establecida.

Póngalo en marcha y deje que el motor adquiera velocidad, luego gradualmente baje o avance el émbolo o la fresa hacia la pieza de trabajo. **NO** deje que la fresa toque la pieza de trabajo antes de poner en marcha el tupí y que haya desarrollado bastante velocidad.

Permanezca alerta y observe lo que está haciendo. **NO** haga funcionar el tupí cuando esté fatigado.

## SENTIDO DE AVANCE

Cuando está recortando la fresa gira hacia la derecha. Por lo tanto usted debe avanzar el tupí hacia la pieza de trabajo de la izquierda a la derecha. Cuando se avanza de la izquierda a la derecha, la rotación de la fresa tira al tupí contra la pieza de trabajo. Si es avanzado en la dirección opuesta las fuerzas de rotación de la fresa que gira intentará alejar el tupí de la pieza de trabajo. Esto lo puede hacer perder el control de la herramienta.

## VELOCIDAD DE AVANCE

**IMPORTANTE:** El "secreto" profesional de los buenos recortes y labrado de bordes yace en hacer una cuidadosa preparación para el corte que va a efectuarse y en seleccionar la velocidad de avance adecuada.

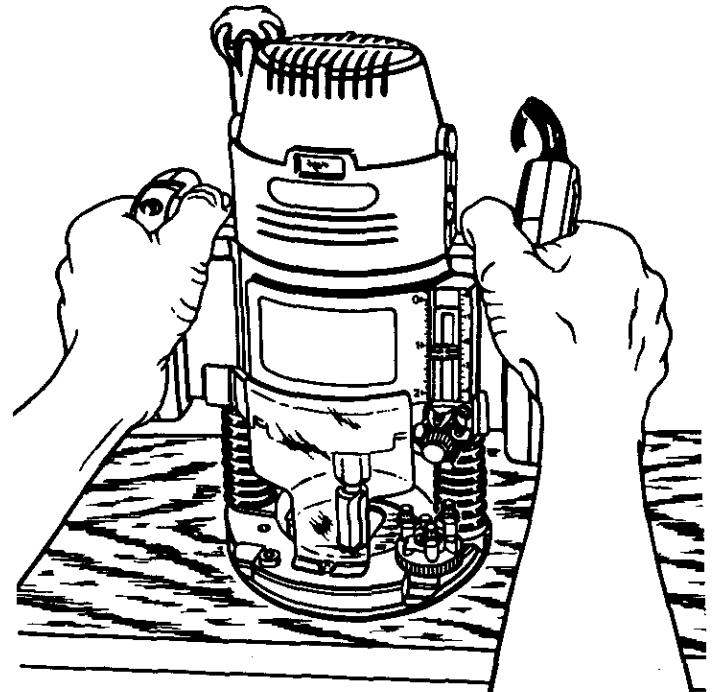


Fig. 13

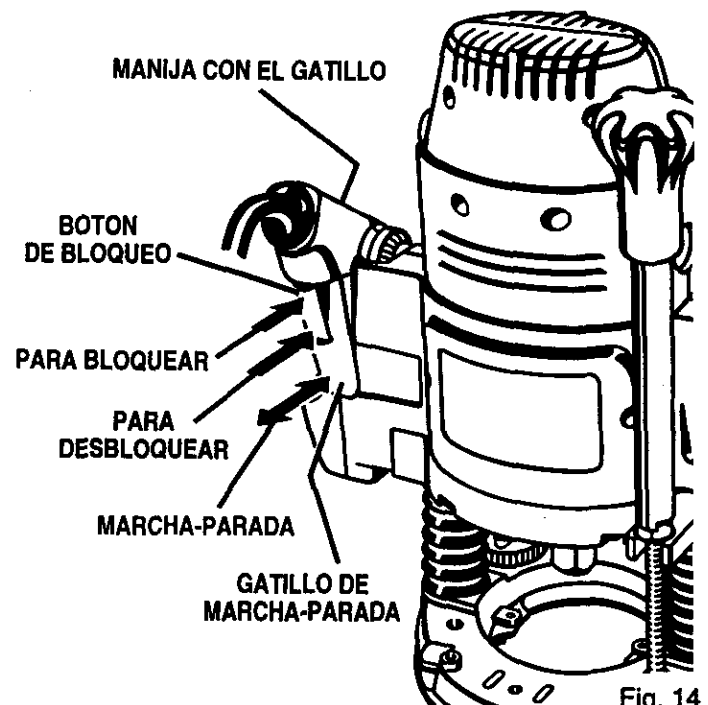


Fig. 14

La velocidad de avance adecuada depende de varios factores: la dureza y contenido de humedad de la madera, la profundidad del corte y el diámetro de corte de la fresa. Cuando corte ranuras poco profundas en maderas suaves como pino, se debe usar una velocidad de avance más rápida. Cuando se hacen cortes en madera dura tales como roble, se debe usar una velocidad de avance más lenta.

La mejor velocidad de avance es aquella que no disminuye la velocidad del motor más de un tercio de su velocidad sin carga. Si el tupí es avanzado demasiado rápido, sacará grandes astillas de la madera y dejará marcas como de escoplo. Si el tupí es alimentado demasiado lento, quemará o chamuscará la madera.

## AVANCE CORRECTO

El avance correcto no debe ser ni demasiado rápido ni demasiado lento. Es la velocidad a la cual la fresa está siendo avanzada firme y seguramente para producir un espiral continua de astillas uniformes – sin formar astillas demasiado grandes cuando recorta la madera o por otro lado, produciendo solamente aserrín. Si usted está haciendo una ranura poco profunda de diámetro pequeño en madera seca blanda, el avance adecuado puede ser más o menos tan rápido como usted pueda basar el tupí a lo largo de la línea de guía. Por otro lado, si la fresa es grande, el corte es profundo o la madera es difícil de cortar, el avance adecuado será uno lento. Por lo tanto, un recorte en contra del grano de la madera, puede requerir un ritmo más lento que uno idéntico a favor del grano en el mismo trabajo.

No hay una regla fija. Usted aprenderá por experiencia adquirida de la práctica y el uso. La mejor velocidad de avance se determina escuchando el ruido que hace el motor del tupí y sintiendo el progreso de cada corte. Siempre pruebe en un pedazo sobrante de madera con anterioridad.

## SELECCION DE LA VELOCIDAD

En general, si el material que está siendo cortado es duro, el tamaño de la fresa es grande o el corte es profundo, entonces su tupí debe hacerse funcionar a velocidades más bajas. Cuando se presenta esta situación, gire el selector de control de velocidad variable hasta que se logre la velocidad deseada.

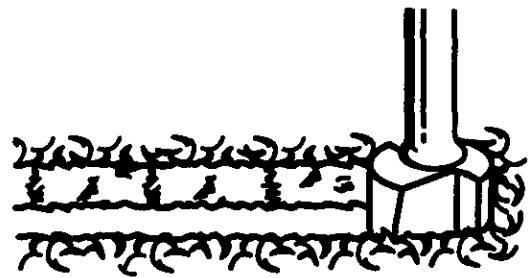
**Nota:** Las fresas de carburo cortan a velocidades más altas que las fresas de acero y deben utilizarse cuando se cortan materiales muy duros.

## AVANCE FORZADO

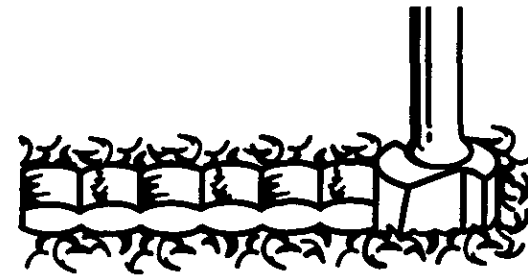
El recorte limpio, suave y el modelado de bordes puede ser solamente hecho cuando la fresa está girando a una velocidad relativamente alta y está sacando pedazos muy pequeños para producir astillas pequeñas y muy bien cortadas. Si su tupí es forzado a moverse hacia adelante demasiado rápido, las revoluciones por minuto de la fresa son más lentas que lo normal en relación a su movimiento hacia adelante. Como resultado, la fresa puede tomar mascadas más grandes a medida que va girando. Las mascadas más grandes significan astillas más pequeñas y un acabado más áspero. Las astillas más grandes también requieren más potencia lo cual podría resultar en que el motor del tupí se sobrecargara.

Bajo condiciones de extremo avance forzado las revoluciones por minuto relativas de la fresa pueden hacerse demasiado lentas y las mascadas que saca pueden ser tan grandes – que las astillas pueden ser parcialmente golpeadas para hacerlas salir (en vez de que totalmente cortadas) produciendo astillado y escoplado de la pieza de trabajo. Ver Figura 15.

Su tupí Craftsman es una herramienta de velocidad extremadamente alta (10.000 - 22.000 RPM con velocidad sin carga) y hará cortes limpios y suaves si se permite funcionar libremente sin la sobrecarga de un avance forzado (demasiado rápido). Tres cosas que causan alimentación forzada son el tamaño de la fresa, la profundidad del corte y las características de la pieza de trabajo. Mientras más grande sea la fresa o más profundo sea el corte, más lento se moverá hacia adelante el tupí. Si la madera es muy dura, nudosa, gomosa o húmeda, la operación puede ser aún más lenta.



DEMASIADO RAPIDO



DEMASIADO LENTO

Fig. 15

Usted siempre puede detectar el "avance forzado" oyendo el sonido del motor. Su sonido de tono alto se escuchará más bajo y fuerte a medida que pierde velocidad. Además el esfuerzo de sostener la herramienta será notablemente mayor.

## AVANCE DEMASIADO LENTO

Es posible echar a perder un corte al mover el tupí hacia adelante muy lentamente. Cuando avanza lentamente hacia el trabajo una fresa que gira no puede penetrar en la madera nueva lo suficientemente rápido como para sacar una mascada; en vez simplemente raspa partículas similares a aserrín. El raspado produce calor, que puede quemar o manchar el corte – en casos extremos, puede sobrecalentar la fresa y destruir su dureza.

Además, es más difícil controlar un tupí cuando la fresa está raspando en vez que recortando. Prácticamente sin carga en el motor, la fresa girará aproximadamente al máximo de revoluciones por minuto y tendrá una mayor tendencia normal a rebotar de los lados del corte (especialmente si la madera tiene un grano pronunciado con áreas duras y blandas). Como resultado, el corte producido puede quedar con los lados ondulados en vez que rectos. Ver Figura 15.

El "avance demasiado lento" también puede causar que el tupí se saiga de la línea que se intenta cortar. **Siempre sujete y mantenga firmemente su tupí con ambas manos cuando esté usándolo.**

Usted puede detectar el avance demasiado lento por el sonido demasiado elevado del motor o sintiendo el "vaivén" de la fresa en el corte.

## PROFUNDIDAD DEL CORTE

Como se mencionó anteriormente, la profundidad del corte es importante porque afecta la velocidad de avance la cual a su vez afecta la calidad del corte (y además la posibilidad de dañar el motor de su tupí y la fresa). Un corte profundo requiere un avance más lento que un corte poco profundo y un corte demasiado profundo puede causar que el avance sea tan lento que la fresa ya no corta más sino que solamente está raspando la superficie.

No es aconsejable hacer un corte profundo. Las fresas más pequeñas – especialmente aquellas que tienen un diámetro de 1/16 pulg. – se rompen fácilmente cuando se someten a demasiado empuje lateral. Una fresa lo suficientemente grande no se romperá pero si el corte es demasiado profundo, puede resultar en un corte poco áspero – y puede ser muy difícil guiar y controlar la fresa como se desea. Por esas razones, recomendamos que se hagan varias pasadas para llegar a cortes más profundos. Ver Figura 16.

Para hacer cortes más profundos es por lo tanto necesario hacer tantas pasadas sucesivas como sea requerido haciendo descender la fresa hacia abajo en cada nueva pasada. Para ahorrar tiempo, haga todo el corte necesario en un ajuste de profundidad, antes de bajar la fresa para la siguiente pasada. Esto le asegurará una profundidad uniforme cuando se complete la última pasada. Ver Figura 17.

## SENTIDO DEL AVANCE Y EMPUJE

Ver Figura 18.

La fresa y el motor del tupí giran hacia la derecha. Esto da a la herramienta una leve tendencia a torcerse (en sus manos) en dirección opuesta especialmente cuando el motor empieza a girar (como cuando recién se pone en marcha).

Debido a la extremadamente alta velocidad de rotación de la fresa durante una operación de avance normal, hay muy poco contragolpe bajo condiciones normales. Sin embargo, si la fresa golpea un nudo, el grano duro o un objeto extraño etc., eso afectaría el progreso normal de la acción del corte y habrá un pequeño contragolpe – suficiente para echar a perder la rectitud de su corte si es que no está atento. Tal contragolpe siempre es en la dirección opuesta a la dirección de rotación de la fresa.

Para protegerse contra este tipo de contragolpe, organice su plan de acción en la dirección de avance de manera que usted siempre esté empujando la herramienta:

- para sujetarla contra cualquier cosa que esté usando para guiar el corte
- en la misma dirección en que el borde de la fresa se está moviendo. En resumen, el empuje debe ser en la dirección que mantenga los bordes afilados de la fresa continuamente penetrando en madera nueva, es decir en madera que no ha sido cortada.

## RECORTE

Siempre que esté cortando una ranura, su recorrido debe ser en el sentido que coloque cualquier guía que usted esté usando al lado derecho. En resumen, cuando la guía está colocada como se muestra en la primera parte de la Figura 19, el recorrido de la herramienta debe ser de izquierda a derecha y a la izquierda en las curvas. Cuando la guía se posiciona como se muestra en la segunda parte de la Figura 19, el recorrido de la herramienta debe ser de la derecha a la izquierda y a la derecha alrededor de las curvas. Si se puede elegir, la primera configuración es generalmente la más fácil de usar. En cualquier caso, el empuje lateral que usted use es contra la guía.

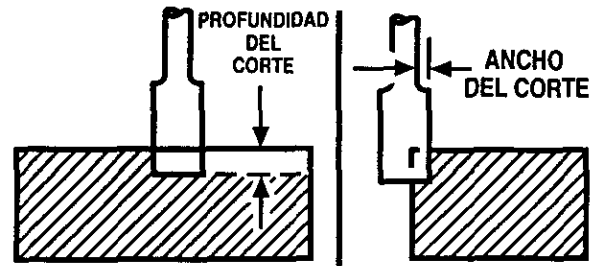


Fig. 16

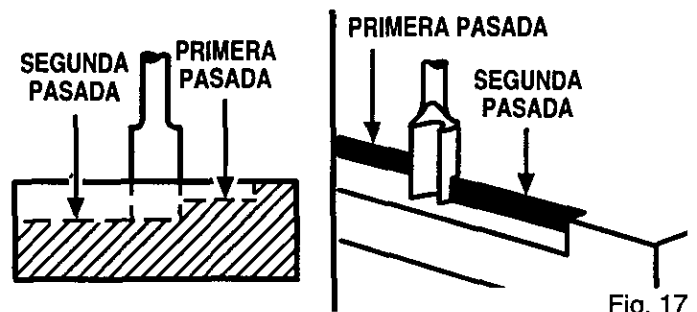


Fig. 17

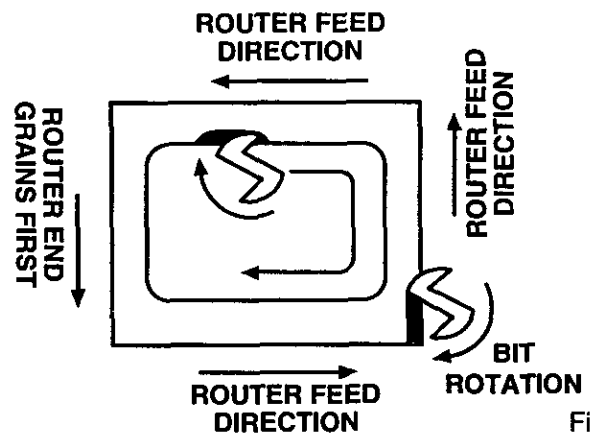


Fig. 18

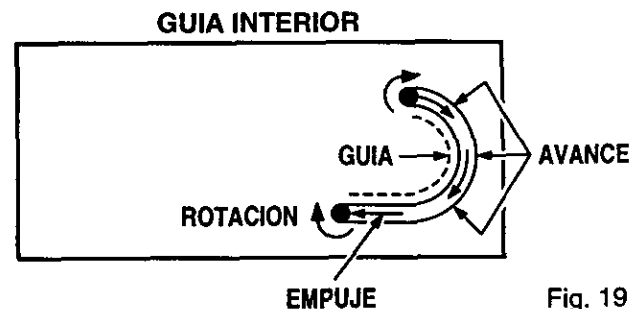
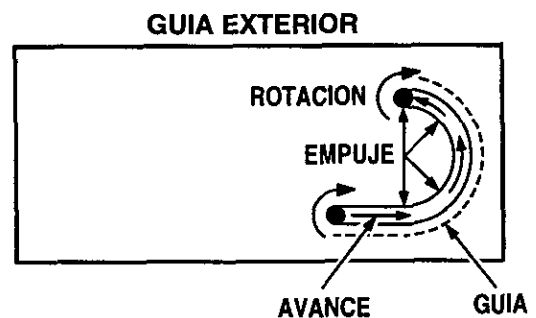


Fig. 19

## LABRADO DE BORDES

Coloque el tupí en la pieza de trabajo asegurándose de que la fresa no toque la pieza de trabajo. Ponga en marcha el tupí y deje que el motor adquiera velocidad. Comience su corte gradualmente avanzando la fresa hacia la pieza de trabajo.



**ADVERTENCIA:** Mantenga el tupí bien sujeto con ambas manos en todo momento. De lo contrario puede perder el control de la herramienta resultando en una posible lesión grave.

Después de completar el corte, apague el motor y déjelo que se detenga completamente antes de sacar el tupí de la superficie de trabajo.



**ADVERTENCIA:** Nunca levante el tupí del trabajo ni lo coloque invertido en la superficie de trabajo antes de que la fresa se haya detenido completamente.

## LABRADO DE BORDES CON FRESAS CON GUIAS

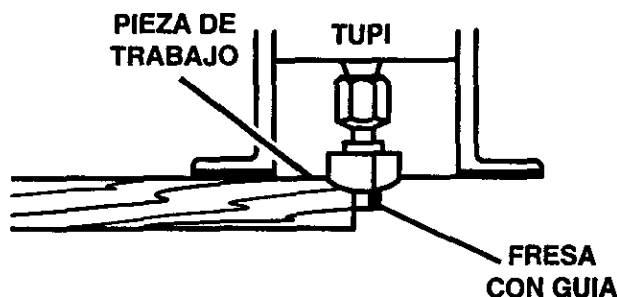
Ver Figura 20.

Las acanaladuras y bordes moldeados pueden ser cortados usando fresas con guías. La guía se extiende más abajo de la fresa. Algunas guías son extensiones sólidas de la fresa. Otras son guías de cojinetes de bolas que son sujetos al extremo de la fresa. Las guías permiten que las fresas giren mientras la guía sigue el borde del trabajo.

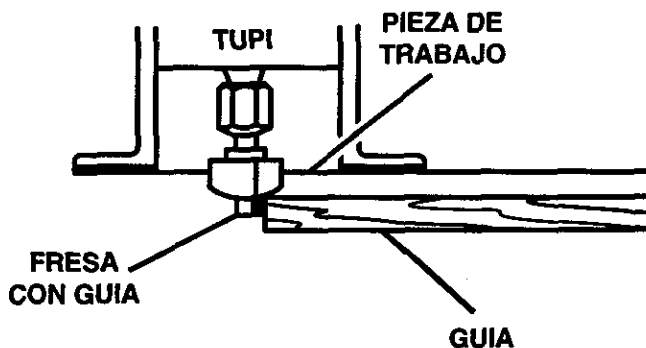
Las fresas con guías son excelentes para modelado rápido y fácil de bordes. Seguirán los bordes de la piezas de trabajo ya sean derechos o curvados. La guía impide que la fresa haga un corte demasiado profundo; y sujetando la guía firmemente en contacto con el borde de la pieza de trabajo impide que el corte sea poco profundo.

Siempre que el grosor de la pieza de trabajo junto con la profundidad deseada del corte (ajustada mediante el ajuste de profundidad del tupí) son tales que solamente la parte superior del borde debe ser labrada (dejando por lo menos una porción de 1/16 pulg. sin cortar en la parte inferior), la guía puede seguir la porción no cortada, sirviendo así de guía. Ver Figura 20. Sin embargo, si la pieza de trabajo es demasiado delgada o la fresa está ajustada demasiado baja de modo que no habrá bordes sin cortar donde colocar la guía, se puede usar una madera extra debajo de la pieza de trabajo para que actúe como una guía. Esta madera de guía debe tener exactamente el mismo contorno derecho o curvo que el borde de la pieza de trabajo. Si se coloca de modo que su borde esté al ras con el borde de la pieza de trabajo, la fresa hará un corte completo (en lo que se refiere al radio de la fresa). Por otro lado, si la guía es colocada como se muestra en la Figura 20 (fuera del borde de la pieza de trabajo), la fresa hará menos que un corte completo - lo cual alterará la forma del borde terminado.

**Nota:** Si se desea, cualquiera de las fresas con guía, pueden ser usada sin una guía para labrado de bordes con guía, como se indicó anteriormente. Además, el tamaño (diámetro) de la guía que se usa determina el ancho máximo del corte que puede ser hecho con la guía contra el borde de la pieza de trabajo - la guía pequeña deja al descubierto toda la fresa; la grande reduce esta cantidad en 1/16 pulg.



LABRADO DEL BORDE SUPERIOR



LABRADO DE TODO EL BORDE Fig. 20

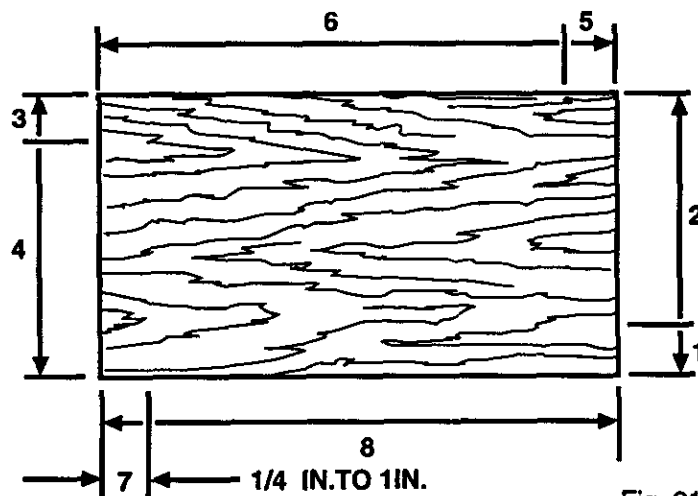


Fig. 21

Cuando se estén labrando los cuatro bordes de un panel o de una tabla, comience primero con el grano del extremo. Cualquier astillado que ocurra en las esquinas será sacado cuando se labre el borde. Comience cada lado a una distancia de 1/4 pulg. del extremo. Avance la fresa hacia la madera hasta que la guía hace contacto con el borde no cortado. Luego lentamente retroceda el tupí para dar forma a la esquina. Enseguida mueva el tupí hacia adelante para dar forma al resto del borde. Tenga cuidado de mantener la guía presionada contra el borde no cortado. Repita este procedimiento en cada lado del panel. La Figura 21 muestra la secuencia apropiada de los cortes que se hace cuando se labran los cuatro lados de un panel.

## RANURADO

Ver Figura 22.

Cuando se hacen ranuras a través de la superficie de tablas, coloque el tupí a la profundidad de corte deseada, coloque el borde de la base del tupí contra la pieza de trabajo y ponga en marcha su tupí. Lentamente avance la fresa hacia la pieza de trabajo a lo largo de la línea de corte deseada.



**ADVERTENCIA:** Si se desea un corte de mayor profundidad que la que puede ser cortada en una sola pasada, haga cortes en dos o mas pasadas.

Cuando se están ranurando cortes derechos, coloque una regla en la pieza de trabajo para usar como guía. Coloque la regla paralela a la línea de corte y compense la distancia entre el borde cortante de la fresa y el borde de la base del tupí. Mantenga la base del tupí contra la regla y recorte la ranura.

Cuando corte una ranura más ancha que el diámetro de la fresa, sujete una regla a ambos lados de la línea de corte. Coloque ambas guías paralelas a la línea de corte deseada y a igual distancia desde los bordes deseados de la ranura. Ranure a lo largo de una guía; luego, invierta la dirección y ranure a lo largo de la otra guía. Limpie cualquier suciedad que quede en el centro de la ranura con la mano.

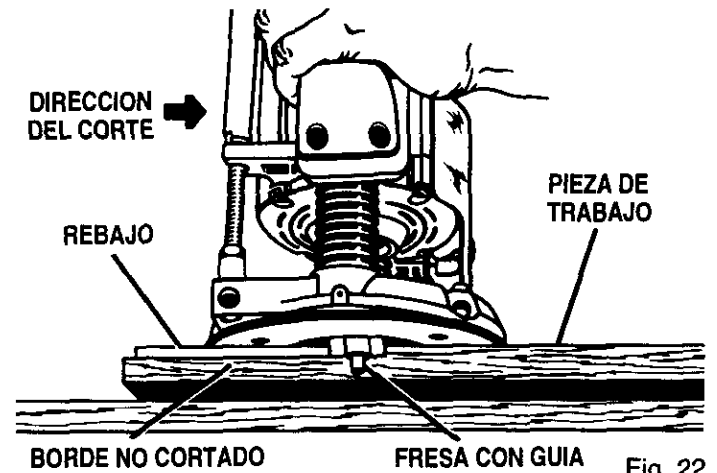


Fig. 22

## RECORTE A PULSO

Ver Figura 23.

Cuando se usa a pulso su tupí con efecto de émbolo se transforma en una herramienta versátil y flexible. Esta flexibilidad le hace posible recortar avisos, hacer esculpido en relieve, etc.

**Hay dos técnicas básicas para el recorte a pulso:**

- Recorte de letras, ranuras y modelos en madera.
- Recorte del fondo y dejando las letras o los modelos en relieve sobre la superficie, como se muestra en la Figura 23.

**Cuando se hace recorte a pulso sugerimos lo siguiente:**

- Dibuje o ponga el modelo en la pieza de trabajo.
- Seleccione la fresa apropiada. **Nota:** A menudo se usa una fresa de ranura en V o de cilindro hueco para recortar letras y esculpir objetos. Las fresas derechas y las fresas redondas a menudo son usadas para hacer grabados en relieve. Las fresas de acanalado se usan para recortar detalles intrincados y pequeños.
- Recorte el patrón en dos o más pasadas. Haga la primera pasada a 25% de la profundidad deseada del corte. Esto le dará mejor control y será una guía para la siguiente pasada.

**El labrado a pulso es un ejemplo excelente de como usar la característica de penetración por efecto de émbolo de su tupí:**

- Elija la fresa apropiada, determine la profundidad deseada de corte, cuidadosamente revise la distribución y sujete la pieza de trabajo.
- Haga un corte de prueba en un pedazo de madera sobrante si es posible del mismo material de la pieza de trabajo.
- Oprima el botón de desbloqueo del émbolo y levante la fresa de cualquier profundidad de corte predeterminada. Esto también permite levantar la fresa dentro de la subbase del tupí.
- Coloque el tupí en la pieza de trabajo dentro del patrón que va ser recortado.
- Sujete las manijas firmemente y oprima el gatillo de marcha/parada para poner en marcha su herramienta.
- Deje que el motor adquiera velocidad y luego gradualmente haga penetrar la fresa en la pieza de trabajo hasta que la barra de tope toque el tornillo del bloque de topes de profundidad.
- Oprima el botón de desbloqueo del émbolo para asegurar el ajuste de profundidad del corte.
- Comience a recortar el patrón, continuando hasta que se ha hecho una pasada completa a esta profundidad de corte.
- Varios cortes que requieren reposicionamiento del tupí pueden ser necesarios para algún trabajo en particular. Si se presenta tal situación, oprima el botón de desbloqueo del émbolo y levante la fresa dentro de la subbase del tupí después de cada corte, vuelva a posicionar el tupí para el próximo corte, gradualmente haga penetrar la fresa en la pieza de trabajo hasta que la barra de tope hace contacto con el tornillo de tope, oprima el botón de desbloqueo del émbolo y continúe recortando.
- Después de que todos los cortes han sido hechos, oprima el botón de desbloqueo del émbolo, levante la fresa dentro de la subbase del tupí, saque el tupí de la pieza de trabajo, suelte el gatillo de marcha/parada y deje que la fresa pare completamente.

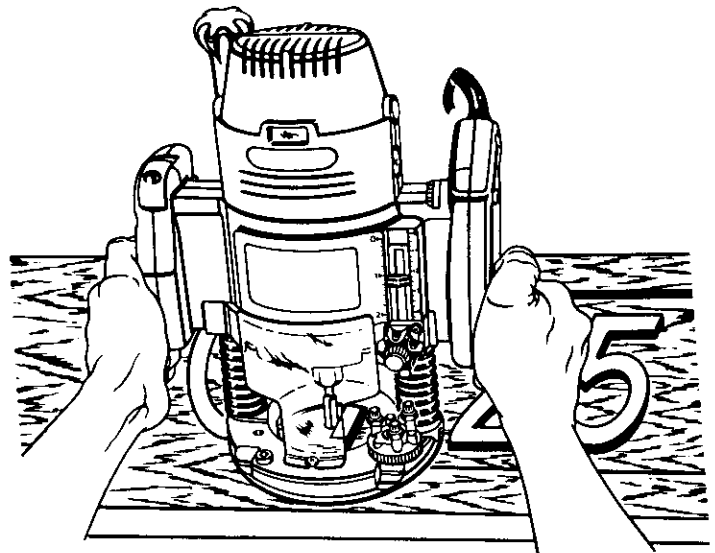


Fig. 23



**ADVERTENCIA:** Cuando repare la herramienta use solamente repuestos auténticos Craftsman. El uso de cualquier otro repuesto puede crear un riesgo o dañar el producto.

## GENERALIDADES

Solamente las piezas mostradas en la lista de piezas, página 25, están destinadas a ser reparadas o reemplazadas por el cliente. Todas las otras piezas representan una parte importante del sistema de doble aislamiento y deben ser reparadas por un técnico de servicio calificado de Sears.

Evite usar solventes cuando limpie las piezas de plástico. La mayoría de los plásticos son susceptibles a diversos tipos de solventes comerciales y pueden dañarse con su uso. Use paños limpios para sacar la suciedad, polvo de carbón, etc.



**ADVERTENCIA:** Evite en todo momento que los líquidos de frenos, gasolina, productos a base de petróleo, aceites penetrantes, etc. entren en contacto con las piezas de plástico. Ellos contienen productos químicos que puedan dañar, debilitar o destruir el plástico.

Se ha comprobado que las herramientas eléctricas se someten a desgaste acelerado y posible falla prematura cuando se utilizan en botes de fibra de vidrio, automóviles deportivos, madera laminada, compuestos obturadores o yeso. Las astillas y el polvo de estos materiales son altamente abrasivos para las piezas eléctricas de la herramienta tales como cojinetes, escobillas, conmutadores, etc. Por lo tanto no se recomienda que esta herramienta se use para trabajo prolongado en cualquier material de fibra de vidrio, madera laminada, compuestos obturadores o yeso. Durante cualquier uso de estos materiales, es extremadamente importante que la herramienta se limpie con frecuencia, soplándola con un chorro de aire.



**ADVERTENCIA:** Siempre use lentes protectores o lentes de seguridad con protectores laterales cuando utilice una herramienta mecánica o cuando este soplando polvo. En los ambientes con demasiado polvo use también una máscara antipolvo.

## LUBRICACION

Todos los cojinetes en esta herramienta han sido lubricados con suficiente cantidad de lubricante de alta calidad para toda la vida útil de la herramienta, bajo condiciones normales de funcionamiento. Por lo tanto, no se requiere lubricación adicional.

## REEMPLAZO DE LAS ESCOBILLAS

Ver Figura 24.

Su tupí tiene un conjunto de escobillas accesibles externamente que deben ser revisadas periódicamente para verificar si se han desgastado.

**PROCEDA DE LA SIGUIENTE MANERA CUANDO SEA NECESARIO REEMPLAZARLAS:**

### ■ DESENCHUFE SU TUPÍ.



**ADVERTENCIA:** Si no se desenchufa el tupí, se puede producir la puesta en marcha accidental causando una lesión personal grave.

- Saque la tapa de las escobillas con un atomillador. El conjunto de las escobillas es a resorte y saltará hacia afuera cuando saque la tapa.
- Saque el conjunto de las escobillas (la escobilla y el resorte).
- Revise si están desgastadas. Si hay desgaste, siempre reemplácelas en pares. No reemplace un lado sin reemplazar el otro.
- Vuelva a instalar las escobillas. Asegúrese de que la curvatura de la escobilla coincide con la curvatura del motor y que la escobilla se mueve libremente en el tubo.
- Vuelva a colocar la tapa de las escobillas y apriete firmemente.

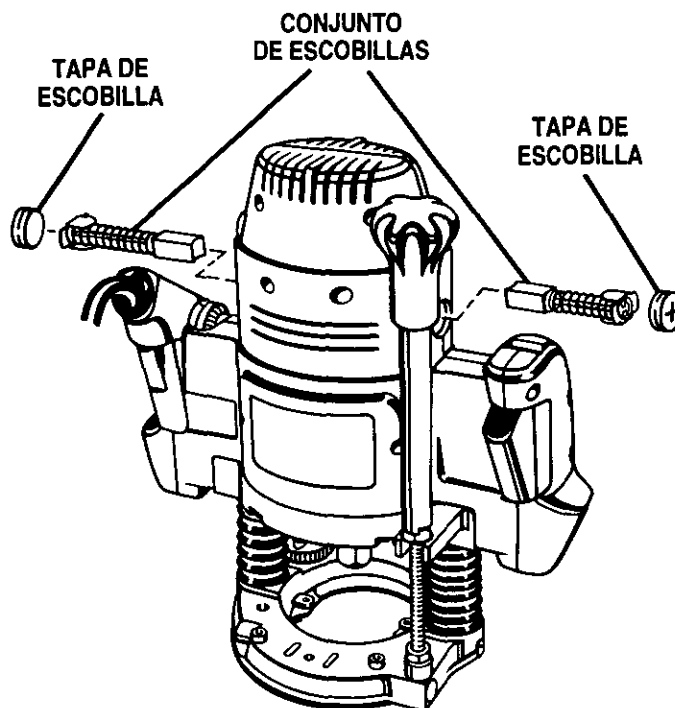


Fig. 24

## CUIDADO ADECUADO DE LAS FRESAS

Obtendrá resultados de cortes más precisos y más rápidos si mantiene las fresas limpias y afiladas. Saque toda la goma y suciedad de las fresas después de cada uso.

Cuando afile las fresas, afile solamente el interior del borde cortante. Nunca esmerile el diámetro exterior. Asegúrese de que cuando esté afilando el extremo de la fresa, esmerile el ángulo de salida de corte igual como estaba originalmente fresado.

## CUIDADO ADECUADO DEL PORTAFRESA

Es necesario limpiar, a intervalos regulares, el portafresa y la tuerca del portafresa. Para hacerlo, simplemente retire del eje del motor el conjunto del portafresa/fresa y limpie el polvo y las astillas que se puedan haber acumulado. Luego vuelva a colocar el conjunto del portafresa/tuerca en su lugar original.

## CORDONES DE EXTENSION

El uso de un cordón de extensión causará una cierta pérdida de potencia. Para mantener la pérdida a un mínimo y evitar el sobrecalentamiento de la herramienta, asegúrese de usar un cordón de extensión que sea lo suficientemente grueso como para transportar la corriente que necesitará su herramienta.

Para un cordón de extensión de 25 pies o menos de largo se recomienda por lo menos el calibre 14 (A.W.G.) Cuando trabaje al aire libre, use un cordón de extensión adecuado para uso al aire libre. La envoltura del cordón estará marcada con las letras WA.



**ATENCION:** Mantenga los cordones de extensión alejados de la zona del corte y coloque el cordón de tal manera que no se enredará en la madera, herramientas, etc., cuando esté cortando.



**ADVERTENCIA:** Revise los cordones de extensión antes de cada uso. Si están dañados reemplácelos inmediatamente. Nunca use una herramienta con un cordón dañado pues al tocar el lugar dañado puede causar un choque eléctrico que resulte en una lesión grave.

## AJUSTE DEL BOTON DE BLOQUEO DEL EMBOLO

Ver Figura 25.

El botón de bloqueo del émbolo ha sido debidamente ajustado en la fábrica y no se requerirán ajustes iniciales. Sin embargo, después de uso prolongado puede que sea necesario un leve reajuste. Si se presenta esta situación, haga los ajustes de la siguiente manera:

### ■ DESENCHUFE SU TUPI.



**ADVERTENCIA:** Si no se desenchufa el tupí, se puede producir la puesta en marcha accidental causando una lesión personal grave.

- Saque los tornillos de tapa de la manija de bloqueo y la manija de bloqueo. Ver Figura 25.
- **OBSERVE LA UBICACION DEL BOTON DE DESBLOQUEO DEL EMBOLO Y DEL RESORTE DE COMPRESION EN LA MANIJA.** Es necesario que las piezas sean colocadas exactamente como estaban instaladas a fin de que el botón de bloqueo del émbolo y el botón de desbloqueo del émbolo funcionen de manera apropiada.
- Afloje la tuerca hexagonal, situada en la parte inferior del botón de bloqueo del émbolo, con una llave de 7/16 pulg.
- Afloje el tornillo de cabeza hueca con una llave hexagonal de 1/8 pulg. (llave allen). Este paso es necesario para asegurarse de que el tornillo no esté tocando la varilla del conjunto de la base.
- Oprima el botón de bloqueo del émbolo hasta que esté al ras con la manija, como se muestra en la Figura 26.
- Continúe sujetando el botón de bloqueo del émbolo al ras con la manija, luego gire la llave hexagonal a la derecha hasta que el tornillo de cabeza hueca toque la varilla del conjunto de la base. **IMPORTANTE: No apriete demasado el tornillo.**
- Asegúrese de que la tuerca hexagonal permanece floja cuando apriete el tornillo de cabeza hueca.
- Una vez que el tornillo de cabeza hueca toca la varilla del conjunto de la base, asegúrelo apretando la tuerca hexagonal contra el botón de bloqueo del émbolo.
- No deje que el tornillo de cabeza hueca se resbale o gire cuando esté apretando la tuerca hexagonal.
- Deslice el resorte de compresión sobre la espiga del botón de bloqueo del émbolo. Luego coloque las lengüetas del botón en las ranuras. Asegúrese de que el extremo del resorte de compresión quede contra la pared de la cavidad de tope.
- Cuidadosamente vuelva a colocar la tapa de la manija de bloqueo y los tornillos. Asegúrese de que el botón de bloqueo del émbolo y el resorte de compresión estén correctamente colocados.
- Apriete firmemente los tornillos de la tapa de la manija. Cuando el botón de bloqueo del émbolo está correctamente ajustado debe tocar la varilla del conjunto de la base cuando esté al ras con la manija. Al oprimir el botón de bloqueo más allá de este punto, se produce una fricción permite que se produzca el bloqueo. Esto es lo que bloquea a su tupí en el ajuste de profundidad de corte deseado.

El botón de desbloqueo del émbolo es a resorte. Cuando está enganchado, empuja al botón de bloqueo del émbolo más allá del punto donde queda al ras con la manija en la dirección opuesta. Esto afloja al tornillo de cabeza hueca, aliviando la presión de la varilla en el conjunto de la base.

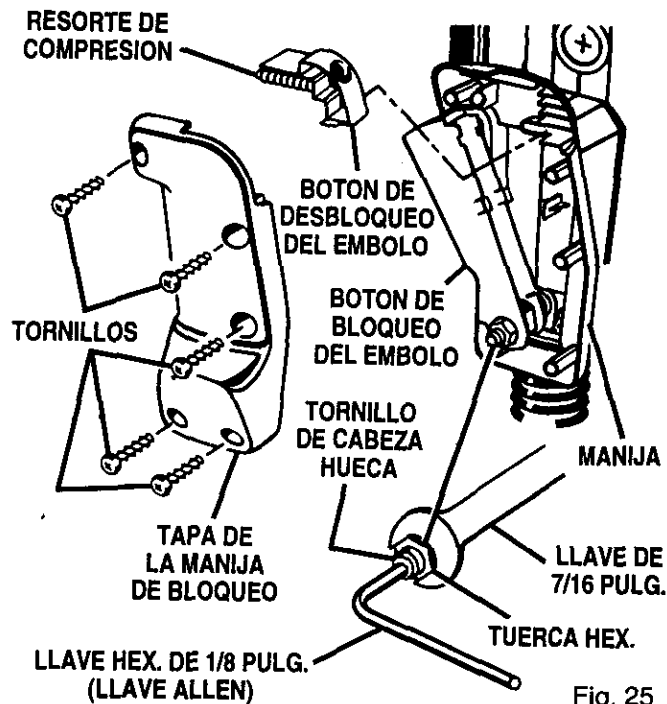
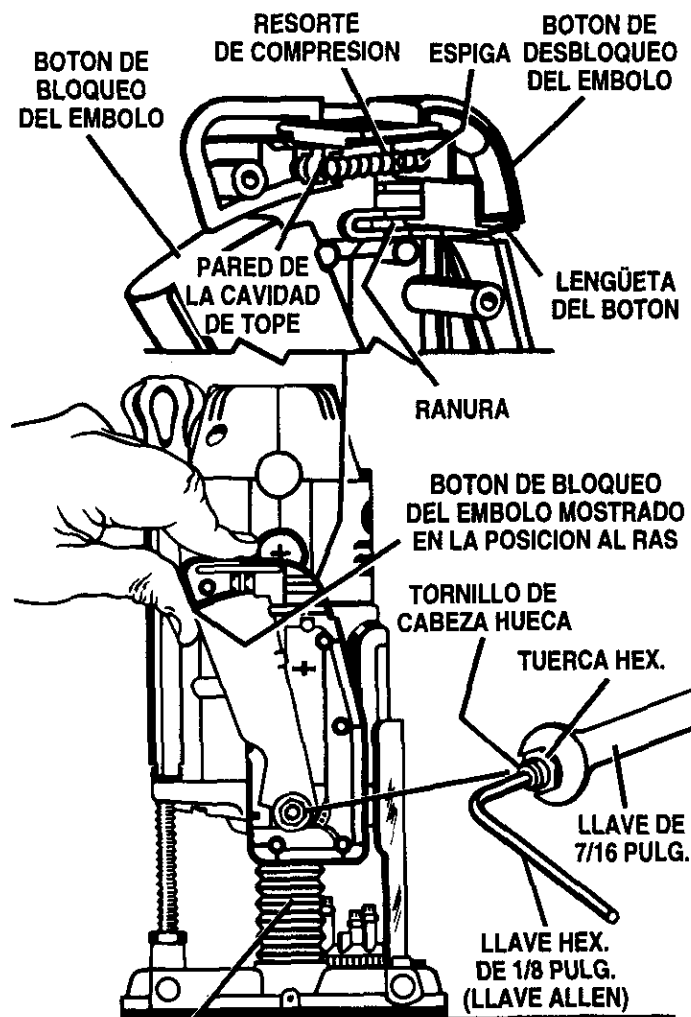


Fig. 25



ENVOLTURA FLEXIBLE CONTRA EL POLVO QUE CUBRE LA VARILLA DEL CONJUNTO DE LA BASE

Fig. 26

## AJUSTES DEL BOTON DE CONTROL DE PROFUNDIDAD

Ver Figura 27.

El botón de control de profundidad está instalado con un resorte contra la tuerca hexagonal para evitar que el motor del tupí se separe accidentalmente de la base del tupí. Si el botón de control de profundidad es colocado muy arriba en la varilla de ajuste de la profundidad, el resorte hará salir el botón del control de profundidad antes que la tuerca hexagonal. **No saque la tuerca hexagonal.** Debe permanecer en la varilla de ajuste de profundidad en todo momento. Esto es muy importante cuando se usa el tupí en forma invertida en una mesa de tupí.

### PARA REEMPLAZAR EL BOTON DE CONTROL DE PROFUNDIDAD:

#### ■ DESENCHUFE SU TUPI.



**ADVERTENCIA:** Si no se desenchufa el tupí, se puede producir la puesta en marcha accidental causando una lesión personal grave.

- Gire la tuerca hexagonal a la izquierda hasta que queden 1/4 pulg. de roscas en la parte superior de la varilla de ajuste de profundidad.
- Coloque el resorte de compresión en la tuerca como se muestra en la Figura 27.
- Coloque el botón de control de profundidad sobre el resorte de compresión y alinee las lengüetas en el botón de control de profundidad con las caras planas de la tuerca hexagonal.
- Cuidadosamente comprima el resorte oprimiendo el botón de control de profundidad.
- Con el resorte comprimido, atornille el botón de control de profundidad a la derecha en la varilla de ajuste de la profundidad.
- Gire el botón de control de profundidad hasta que logre la profundidad de corte deseada.

No instale el botón de control de profundidad sin tener el resorte de compresión.



**ADVERTENCIA:** Si reemplaza el botón de control de profundidad sin el resorte a compresión puede resultar en que el botón y la tuerca hexagonal vibren y se saquen de la varilla de ajuste de la profundidad. Esta situación puede causar que el motor se separe de la base del tupí resultando en una posible lesión personal grave.

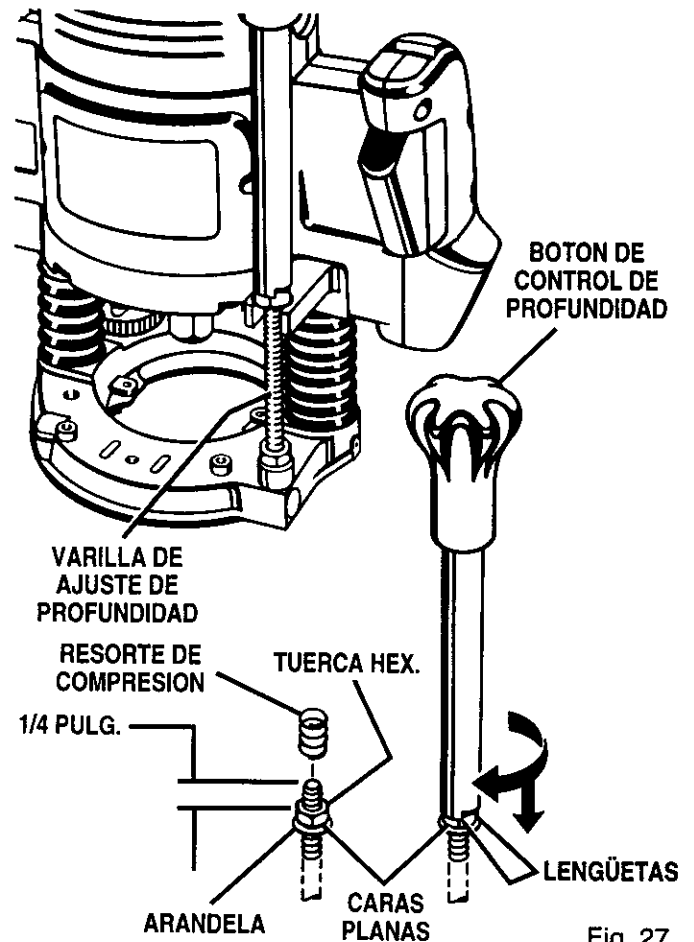


Fig. 27

## MESAS DE TUPI



**ADVERTENCIA:** No use con mesas que no cumplen con las prácticas seguras de trabajo en madera y que no ofrezcan protección adecuada para la fresa. Si no se cumple con esto se puede producir un accidente que cause posiblemente una lesión grave.

Si va a instalar su tupí en una mesa de tupí, use solamente los tres agujeros aterrajados 5/16-18 UNC-2B provistos en la base de su tupí. Use tornillos de cabeza plana 5/16-18 UNC-2A que sean de 1-1/8 pulg. o 1-1/4 pulg. de largo cuando instale el tupí en una mesa de tupí. **Nota:** Se debe quitar la subbase del tupí para tener acceso a los agujeros aterrajados 5/16-18 UNC-2B.



**ADVERTENCIA:** No use una fresa de tupí grande para recorte a pulso. Si se usa una fresa de tupí grande para el recorte a pulso puede perder el control de la herramienta o crear otras situaciones de peligro que puedan posiblemente resultar en lesiones personales graves. Cuando use una mesa de tupí, se deben usar fresas grandes solamente para el labrado de bordes.



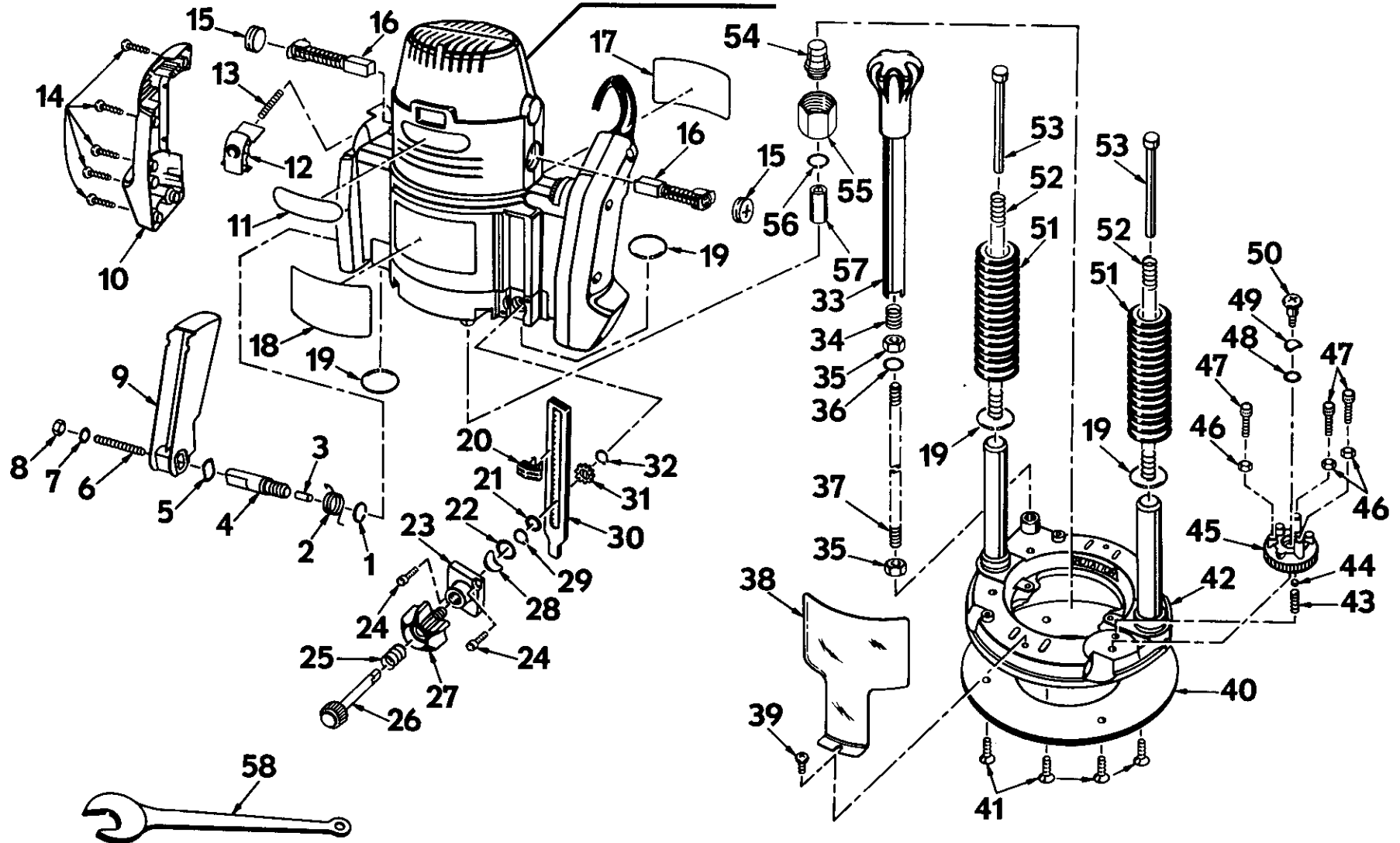
**ADVERTENCIA:** No use los cuatro tornillos 8-32 UNC-2B de la subbase o los agujeros aterrajados de los tornillos 8-32 UNC-2B de la subbase para instalar el tupí en una mesa de tupí. Estos tornillos y los agujeros de los tornillos no asegurarán debidamente el tupí a la mesa y puede resultar un accidente que cause lesiones posiblemente graves.

No se ha investigado el uso de un tupí Craftsman en mesas de otros fabricantes, para verificar su cumplimiento con las normas de seguridad aplicables.

## SUGERENCIAS UTILES

- ✓ Siempre use protección para los ojos cuando esté trabajando con el tupí.
- ✓ Es mejor prever el peligro para trabajar con seguridad.
- ✓ Planee cada operación antes de empezar.
- ✓ Estudie todas las reglas de seguridad y haga el trabajo de manera segura.
- ✓ No deje que la familiaridad lo haga desatento.
- ✓ **NUNCA** coloque sus manos en peligro.
- ✓ Siempre sujete la pieza de trabajo firmemente antes de comenzar el labrado.
- ✓ Asegúrese de que las sujeciones no se van a soltar cuando se están usando.
- ✓ Haga los ajustes cuidadosamente. Vuélvalos a revisar. Mida dos veces y corte una vez.
- ✓ Para funcionamiento suave, limpie con frecuencia su tupí. Límpielo con un chorro de aire para sacar la acumulación de aserrín.
- ✓ Mantenga las fresas limpias y debidamente afiladas.
- ✓ Revise cuidadosamente los ajustes de profundidad de corte. No desperdicie madera, haciendo un corte demasiado profundo. Haga varias pasadas poco profundas, bajando la fresa para cada pasada.
- ✓ Pruebe ajustes difíciles en un pedazo sobrante - No desperdicie madera.
- ✓ **ACTUE CON SEGURIDAD PREVINIENDO EL PELIGRO**

VER NOTA "A"



NOTA: "A" - El conjunto que se ilustra representa una parte importante del Sistema de Doble Aislamiento. Para evitar la posibilidad de alteración o daño al sistema, todas las reparaciones deben ser efectuadas por su Centro de Servicio Sears más cercano. Póngase en contacto con su Almacén Sears.

## TUPI CRAFTSMAN – NUMERO DE MODELO 315.268350

El número de modelo se encuentra en una placa situada en la caja del motor. Siempre mencione el número de modelo en toda la correspondencia relacionada con su TUPI o cuando solicite repuestos.

### REPUESTOS

Ref. Nº	Número de Repuesto	Descripción	Cant.	Ref. Nº	Número de Repuesto	Descripción	Cant.
1	622167-028	Aro de Retén .....	1	35	607406-005	* Tuerca Hex. (#3/8-16) .....	2
2	970738-002	Resorte de Torsión .....	1	36	706382-817	Arandela .....	1
3	970742-001	Tapón .....	1	37	970732-001	Varilla de Ajuste de Profundidad .....	1
4	974433-001	Tornillo de Presión .....	1	38	970864-001	Protector Contra Astillas .....	1
5	970743-001	Arandela Especial .....	1	39	614658-010	* Tornillo de Cab. Cil. Ranur. (#8-32 x 3/8 Pulg.)	
6	970740-001	* Tornillo de Cab. Hueca Hex. (#1/4-28 x 1-5/8 Pulg.) ...	1		**STD510803 .....	1	
7	931744-006	Arandela **STD551225 .....	1	40	970865-001	Subbase .....	1
8	622171-055	* Tuerca Hex. (#1/4-28) .....	1	41	622183-042	* Tornillo de Cab. Cil. Ranur. (#8-32 x 3/8 Pulg.)	
9	970760-001	Botón de Bloqueo .....	1		**STD510803 .....	4	
10	970758-001	Tapa de la Manija de Bloqueo .....	1	42	970755-204	Conjunto del Base .....	1
11	971094-001	Etiqueta 'Posilock' .....	1	43	970772-001	Resorte de Compresión .....	1
12	970762-001	Botón de Desbloqueo .....	1	44	967711-000	Bola de Acero de 1/4 Pulg. ....	1
13	970736-001	Resorte de Compresión .....	1	45	970722-005	Bloque de Topes de Profundidad (Torrecilla) .....	1
14	617966-030	* Tornillo de Cab. Cil. Ranur. (#8-10 x 5/8 Pulg.) .....	5	46	705404-801	* Tuerca Hex. (#10-24) .....	3
15	970764-001	Tapa de Escobilla .....	2	47	940021-006	* Tornillo de Cab. Hueca (#10-24 x 1/2 Pulg.) .....	3
16	970875-001	Conjunto de Escobilla .....	2	48	706239-830	Arandela .....	1
17	983207-001	Placa de Datos .....	1	49	622347-019	Arandela de Resorte .....	1
18	981252-001	Placa de Logo .....	1	50	970712-001	Tornillo Escalonado .....	1
19	622167-071	Aro de Retén .....	4	51	970741-001	Enyoltura Flexible contra el Polvo .....	2
20	970770-001	Indicador de Reposición a Cero .....	1	52	970754-001	Resorte de Compresión .....	2
21	931744-063	Arandela .....	1	53	970723-001	Pasador de Guía .....	2
22	703493-820	Arandela .....	1	54	982860-001	Portafresa de 1/2 Pulg. ....	1
23	970720-202	Placa de Fijación .....	1	55	982859-001	Tuerca del Portafresa de 1/2 Pulg. ....	1
24	622931-008	* Tornillo de Cab. Cil. Ranur. (#6-32 x 3/8 Pulg.) .....	2	56	982897-108	Aro de Retén .....	1
25	970734-001	Resorte de Compresión .....	1	57	982987-001	Adaptador de 1/4 pulg. ....	1
26	970717-002	Botón de Ajuste .....	1	58	982889-001	Llave .....	1
27	970715-002	Botón de Bloquear .....	1	59	060721-630	*** Buje de Guía c/Tuerca (1/4 Pulg. x 5/16 Pulg.) .....	1
28	622347-017	Arandela de Resorte .....	1	60	060721-530	*** Buje de Guía c/Tuerca (1/4 Pulg. x 3/8 Pulg.) .....	1
29	622167-070	Aro de Retén .....	1	61	060721-430	*** Buje de Guía c/Tuerca (1/2 Pulg. x 5/8 Pulg.) .....	1
30	970718-002	Barra de Tope de Profundidad .....	1	62	060721-030	*** Buje de Guía c/Tuerca (11/32 Pulg. x 7/16 Pulg.) .....	1
31	970719-001	Piñón de la Barra de Tope .....	1	63	972160-001	*** Adaptador del Buje de Guía .....	1
32	989177-000	Juego de Aros de Retén .....	1	64	969357-002	*** Conjunto Opcional de Guía de Rodillo .....	1
33	970866-002	Botón de Control de Profundidad .....	1	65	972421-000	*** Portaguía Opcional c/Ferretería .....	1
34	971137-001	Resorte de Compresión .....	1		972000-989	Manual del Usuario .....	1

\* Artículo de Ferrería Estándar — Puede ser Adquirido Localmente    \*\* Disponible de la Div.98 —Source 980.00  
 \*\*\* Accesorio Opcional (No se muestra) — Puede ser comprado para usar en su nuevo Tupi con Efecto de Embolo



# Get it fixed, at your home or ours

For repair of major brand appliances **in your own home...**  
no matter who made it, no matter who sold it!

**1-800-4-MY-HOME<sup>SM</sup>** Anytime, day or night  
(1-800-469-4663)

[www.sears.com](http://www.sears.com)

To bring in products such as vacuums, lawn equipment and electronics  
for repair, call for the location of your nearest **Sears Parts & Repair Center.**

**1-800-488-1222** Anytime, day or night

[www.sears.com](http://www.sears.com)

For the replacement parts, accessories and owner's manuals  
that you need to do-it-yourself, call **Sears PartsDirect<sup>SM</sup>!**

**1-800-366-PART** 6 a.m. – 11 p.m. CST,  
(1-800-366-7278) 7 days a week

[www.sears.com/partsdirect](http://www.sears.com/partsdirect)

To purchase or inquire about a Sears Service Agreement:

**1-800-827-6655**

7 a.m. – 5 p.m. CST, Mon. – Sat.

Para pedir servicio de reparación a domicilio,  
y para ordenar piezas con entrega a domicilio:

**1-888-SU-HOGAR<sup>SM</sup>**  
(1-888-784-6427)

Au Canada pour service en français:

**1-877-LE-FOYER<sup>SM</sup>**  
(1-877-533-6937)

**SEARS**

HomeCentral<sup>SM</sup>