

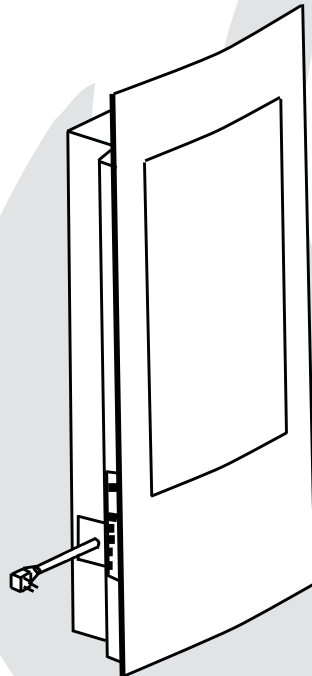
INSTALLER: LEAVE THIS MANUAL WITH THE APPLIANCE.
CONSUMER: RETAIN THIS MANUAL FOR FUTURE REFERENCE.
NEVER LEAVE CHILDREN OR OTHER AT RISK INDIVIDUALS ALONE WITH THE APPLIANCE.



INSTALLATION AND OPERATING INSTRUCTIONS

CERTIFIED UNDER CANADIAN AND AMERICAN NATIONAL STANDARDS: CSA C22.2 No-46 / UL 2021

NEFV38H ELECTRIC FIREPLACE



SAFETY INFORMATION



WARNING
If the information in these instructions are not followed exactly, a fire or explosion may result causing property damage, personal injury or loss of life.

- Do not store or use gasoline or other flammable vapors and liquids in the vicinity of this or any other appliance.



APPLY SERIAL NUMBER LABEL FROM CARTON



Wolf Steel Ltd., 24 Napoleon Rd., Barrie, ON, L4M 0G8 Canada /
103 Miller Drive, Crittenden, Kentucky, USA, 41030

Phone (705)721-1212 • Fax (705)722-6031 • www.napoleonfireplaces.com • hearth@napoleonproducts.com

\$10.00

1.16E

EN

FR
PG
25

TABLE OF CONTENTS

1.0	INTRODUCTION	3
1.1	DIMENSIONS	4
1.2	LISTING APPROVALS	4
1.3	GENERAL INSTRUCTIONS	5
1.4	UNPACKING AND TESTING APPLIANCE	5
1.5	PARTS SUPPLIED	6
2.0	LOCATING APPLIANCE	7
2.1	GROUNDING APPLIANCE	7
3.0	INSTALLATION	8
3.1	MINIMUM CLEARANCE TO COMBUSTIBLES	8
3.2	INSTALLING THE APPLIANCE - WALL MOUNT	9
3.4	RECESSING INSTALLATION	10
3.4.1	BUILT-IN FRAMING	10
3.4.2	MOUNTING BRACKET INSTALLATION	11
3.5	HARD WIRING INSTALLATION	12
4.0	FINISHING	13
4.2	GLASS FRONT REMOVAL	13
4.1	CRYSTAL EMBER INSTALLATION	13
5.0	OPERATING INSTRUCTIONS	14
5.1	MAIN POWER SWITCH & OPERATING CONTROLS	14
6.0	MAINTENANCE	15
6.1	PCB (CONTROL BOARD)	15
6.2	REMOTE BATTERY INSTALLATION	15
7.0	WIRING DIAGRAM	16
8.0	REPLACEMENT PARTS	17
9.0	TROUBLESHOOTING	19
10.0	WARRANTY	20
11.0	SERVICE WARRANTY	21
12.0	NOTES	22

NOTE: Changes, other than editorial, are denoted by a vertical line in the margin.

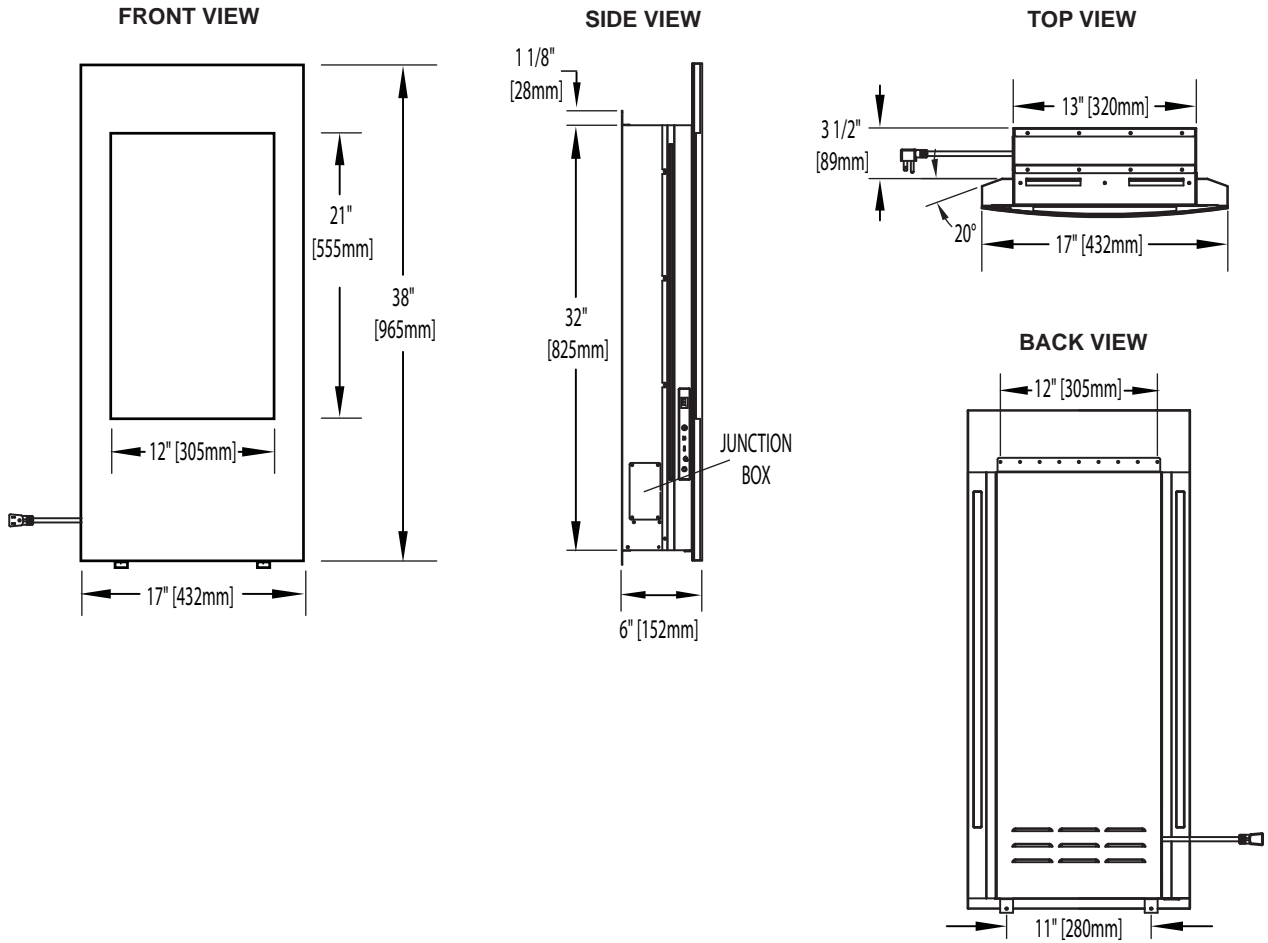
1.0 INTRODUCTION

WARNING

- **THIS APPLIANCE IS HOT WHEN OPERATED AND CAN CAUSE SEVERE BURNS IF CONTACTED.**
- Do not operate appliance before reading and understanding operating instructions. Failure to operate appliance according to operating instructions could cause fire or injury.
- Risk of burns. Power to the appliance should be turned off and the appliance allowed to cool before servicing. To disconnect power to the appliance, turn controls to off, then remove plug from outlet.
- Do not install damaged, incomplete or substitute components.
- Do not burn wood or other materials in this appliance.
- Young children should be carefully supervised when they are in the same room as the appliance. Toddlers, young children and others may be susceptible to accidental contact burns. A physical barrier is recommended if there are at risk individuals in the house. To restrict access to an appliance or stove, install an adjustable safety gate to keep toddlers, young children and other at risk individuals out of the room and away from hot surfaces.
- Clothing or other flammable material should not be placed on or near the appliance.
- Due to high temperatures, the appliance should be located out of traffic and away from furniture and draperies.
- Ensure you have incorporated adequate safety measure to protect infants/toddlers from touching hot surfaces.
- Even after the appliance is out, the glass and/or screen will remain hot for an extended period of time.
- Check with your local hearth specialty dealer for safety screens and hearth guards to protect children from hot surfaces. These screens and guards must be fastened to the floor.
- Any safety screen or guard removed for servicing must be replaced prior to operating the appliance.
- It is imperative that the control compartments, circulating blower and its passageway in the appliance and are kept clean. The appliance should be inspected before use and at least annually by a qualified service person. More frequent cleaning may be required due to excessive lint from carpeting, bedding material, etc. The appliance area must be kept clear and free from combustible materials, gasoline and other flammable vapors and liquids.
- Under no circumstances should this appliance be modified.
- Do not use this appliance if any part has been under water. Immediately call a qualified service technician to inspect the appliance and to replace any part of the control system which has been under water.
- Do not operate the appliance with the glass door removed, cracked or broken. Replacement of the glass should be done by a licensed or qualified service person.
- Do not strike or slam shut the appliance glass door.
- Keep the packaging material out of reach of children and dispose of the material in a safe manner. As with all plastic bags, these are not toys and should be kept away from children and infants.
- Servicing should be done only while the appliance is disconnected from the power supply circuit.
- Always unplug appliance when not in use.
- Do not operate this appliance with a damaged cord or plug after the appliance malfunctions, has been dropped or damaged in any manner. Return appliance to authorized service facility for examination, electrical or mechanical adjustment, or repair.
- Do not use outdoors.
- Never locate appliance where it may fall into a bathtub or other water container.
- Do not run cord under carpeting. Do not cover cord with throw rugs, runners, or the like. Arrange cord away from traffic area and where it will not be tripped over.
- Connect to properly grounded outlets only.
- Do not insert or allow foreign objects to enter any ventilation or exhaust opening as this may cause an electric shock or fire, or damage the appliance.
- To prevent a possible fire, do not block air intakes or exhaust in any manner. Do not use on soft surfaces, like a carpet, where openings may become blocked.
- Always plug appliances directly into a wall outlet/receptacle. Never use an extension cord or relocatable power tap (outlet/power strip).
- Ensure clearances to combustibles are maintained when building a mantel or shelves above the appliance. Elevated temperatures on the wall or in the air above the appliance can cause melting, discolouration or damage to decorations, a T.V. or other electronic components.

3.7C

1.1 DIMENSIONS




1.2 LISTING APPROVALS

This appliance has been tested in accordance with the CSA Standards for fixed and location-dedicated electric room appliances in the United States and Canada. If you need assistance during installation, please contact your local dealer.

NOTE: This appliance must be electrically wired and grounded in accordance with local codes or, in the absence of local codes, with National Electric Code ANSI/NFPA 70-latest edition in the United States or the Canadian Electric Code, CSA C22.1 in Canada.

Model Number	NEFV38H
Description	Wall-Mount Appliance
Voltage	120V AC~60Hz
Watts	Max 1500W
Amps	15 AMP Grounded Circuit
Appliance Width	17" (432mm)
Appliance Height	38" (965mm)
Appliance Depth	6" (152mm)
Net Weight	14.5kg (32lbs)
Gross Weight	17kg (37lbs)

1.3 GENERAL INSTRUCTIONS

 WARNING
READ THESE INSTRUCTIONS COMPLETELY BEFORE BEGINNING INSTALLATION. FAILURE TO FOLLOW THEM COULD CAUSE AN APPLIANCE MALFUNCTION RESULTING IN SERIOUS INJURY AND/OR PROPERTY DAMAGE.
ALL ELECTRIC APPLIANCES HAVE HOT AND ARCING OR SPARKING PARTS INSIDE. DO NOT USE IT IN AREAS WHERE GASOLINE, PAINT OR FLAMMABLE LIQUIDS ARE PRESENT.
THIS ELECTRIC APPLIANCE IS TESTED AND LISTED FOR USE ONLY WITH THE OPTIONAL ACCESSORIES LISTED IN THESE INSTRUCTIONS. USE OF OPTIONAL ACCESSORIES NOT SPECIFICALLY TESTED FOR THIS ELECTRIC APPLIANCE COULD VOID THE WARRANTY AND/OR RESULT IN A SAFETY HAZARD.
DO NOT OPEN. RISK OF ELECTRIC SHOCK. NO USER-SERVICEABLE PARTS INSIDE.
DO NOT USE DAMAGED ELECTRICAL CORDS.
SERVICING SHOULD BE DONE ONLY WHILE THE APPLIANCE IS DISCONNECTED FROM THE POWER SUPPLY CIRCUIT.
TO PREVENT ELECTRIC SHOCK MATCH THE WIDE BLADE OF PLUG TO WIDE SLOT OF RECEPTACLE AND FULLY INSERT.

- A. Prior to plugging your appliance into an electrical outlet, verify that the house circuit breakers for the outlet are on.
- B. The appliance may emit a slight, harmless odour when first used. This odour is normal and it is caused by the initial heating of internal appliance elements and will not occur again.
- C. If your appliance does not emit heat, consult the operation section of this manual for further information.
- D. Use with a CSA or UL certified surge protector.

This electric appliance meets the construction and safety standards of H.U.D. for application in manufactured homes when installed according to these instructions.

4.8A

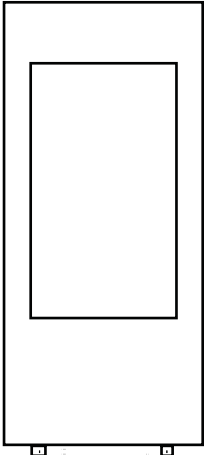








As with most electronic devices, your new electric fireplace has been designed to operate at temperatures between 5°C (41°F) and 35° C (95°F). During the colder winter months, allow the fireplace to reach room temperature before turning it on.

1.4 UNPACKING AND TESTING APPLIANCE

Carefully remove the appliance from the box. Prior to installing the appliance, test to make sure the appliance operates properly by plugging the power supply cord into a conveniently located 120 Volt, 15 Amp grounded outlet.

1.5 PARTS SUPPLIED

EN

DESCRIPTION	ILLUSTRATION	QUANTITY
APPLIANCE		X1
REMOTE & CR2032 BATTERY		X1
CRYSTAL PEBBLES		X1
WALL PLUG		X5
SCREW		X5
CORD COVER		X2
JUNCTION BOX COVER PLATE		X1
COUPLING		X1
FLAT ELBOW		X1

2.0 LOCATING APPLIANCE

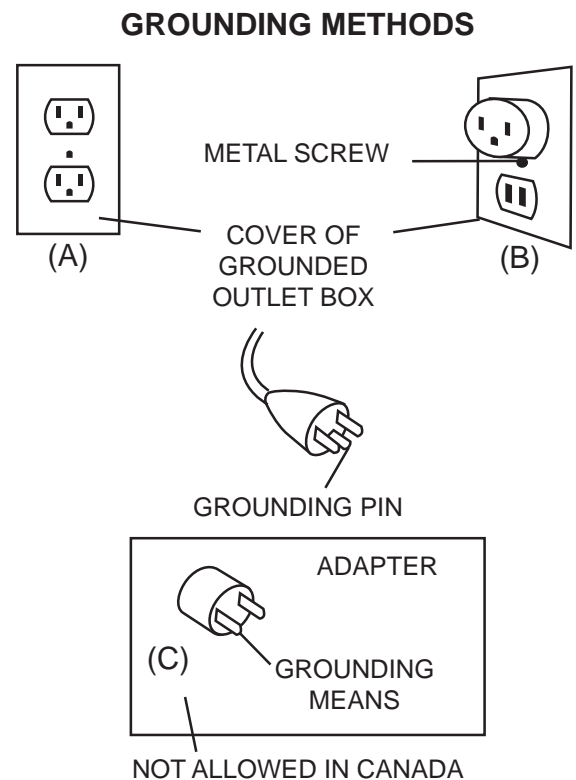
! WARNING
DUE TO HIGH TEMPERATURES, THIS ELECTRIC APPLIANCE SHOULD BE LOCATED OUT OF TRAFFIC. KEEP COMBUSTIBLE MATERIALS SUCH AS FURNITURE, PILLOWS, BEDDING, PAPERS, CLOTHES AND CURTAINS AT LEAST 36" FROM THE FRONT OF THE APPLIANCE.
NEVER LOCATE THIS ELECTRIC APPLIANCE WHERE IT MAY FALL INTO A BATHTUB OR OTHER WATER CONTAINER.
WEAR SAFETY GLOVES AND SAFETY GLASSES FOR PROTECTION DURING INSTALLATION AND MAINTENANCE.
TO PREVENT CONTACT WITH SAGGING OR LOOSE INSULATION, THE ELECTRIC APPLIANCE MUST NOT BE INSTALLED AGAINST VAPOR BARRIER OR EXPOSED INSULATION. LOCALIZED OVERHEATING COULD OCCUR AND A FIRE COULD RESULT.
DO NOT EXPOSE THE ELECTRIC APPLIANCE TO THE ELEMENTS (SUCH AS RAIN, ETC.)

EN

2.1 GROUNDING APPLIANCE


This appliance is for use on 120 Volts. The cord has a plug as shown in (A). An adapter as shown in (C) is available for connecting three-blade grounding type plugs to two-slot receptacles. The green grounding lug extending from the adapter must be connected to a permanent ground such as a properly grounded outlet box. The adapter should not be used if a three-slot grounded receptacle is available.

To disconnect appliance, turn controls to off, then remove plug from outlet.



96.1

3.0 INSTALLATION

 WARNING	
RISK OF FIRE! THE POWER CORD MUST NOT BE PINCHED AGAINST A SHARP EDGE. SECURE CORD TO AVOID TRIPPING OR SNAGGING TO REDUCE THE RISK OF FIRE, ELECTRIC SHOCK OR PERSONAL INJURY. DO NOT RUN CORD UNDER CARPETING. DO NOT COVER CORD WITH THROW RUGS, RUNNERS OR THE LIKE. ARRANGE CORD AWAY FROM TRAFFIC AREAS AND WHERE IT WILL NOT BE TRIPPED OVER.	
RISK OF FIRE! TO PREVENT A POSSIBLE FIRE, DO NOT BLOCK AIR INTAKE OR EXHAUST IN ANY MANNER. DO NOT USE ON SOFT SURFACES WHERE OPENINGS MAY BECOME BLOCKED.	
RISK OF FIRE! DO NOT BLOW OR PLACE INSULATION AGAINST THE APPLIANCE.	
THIS ELECTRIC APPLIANCE IS TESTED AND LISTED FOR USE ONLY WITH THE APPROVED OPTIONAL ACCESSORIES. USE OF OPTIONAL ACCESSORIES NOT SPECIFICALLY TESTED FOR THIS ELECTRIC APPLIANCE COULD VOID THE WARRANTY AND/OR RESULT IN A SAFETY HAZARD.	
IF THE INFORMATION IN THESE INSTRUCTIONS IS NOT FOLLOWED EXACTLY, A FIRE OR EXPLOSION MAY RESULT CAUSING PROPERTY DAMAGE, PERSONAL INJURY OR DEATH. DO NOT STORE OR USE GASOLINE OR OTHER FLAMMABLE VAPORS IN THE VICINITY OF THIS OR ANY OTHER APPLIANCE.	
THIS APPLIANCE IS HEAVY. IT IS HIGHLY RECOMMENDED THAT TWO PEOPLE INSTALL THIS APPLIANCE.	
HEATER VENTS ON THE ELECTRIC APPLIANCE CANNOT, IN ANY WAY, BE COVERED AS IT MAY CREATE A FIRE HAZARD.	

68.5

Your NEFV38H is a built-in and wall-mounted appliance. Select a suitable location that is not susceptible to moisture and is away from drapes, furniture and high traffic areas.

NOTE: Follow all National and local electrical codes.

3.1 MINIMUM CLEARANCE TO COMBUSTIBLES

Measurements are taken from the glass front.			
Bottom	20" (500mm)	Top	5" (127mm) to mantel
Sides	6" (152mm)	Top	5" (127mm) to ceiling
Back	0"		

NOTE: The control panel is located on the left hand side of the appliance. Always ensure that there is access to this control panel.

NOTE: Measured from the rear of the appliance, the first 2 1/2" (63mm) of the appliance body may be recessed into a combustible wall with 0" (0mm) clearance.

3.2 INSTALLING THE APPLIANCE - WALL MOUNT

- A. Select a location that is not prone to moisture and is located at least 36" (914mm) away from combustible materials such as curtain drapes, furniture, bedding, paper, etc.
- B. Before installing the appliance, remove the front glass. Remove the 2 bottom securing screws off the appliance. Pull the bottom of the glass front away from the appliance and lift up to disengage the top. Remove and place on a soft non-abrasive surface, refer to Figure 2.
- C. Have two people hold the appliance against the wall to determine the final location.
- D. Mark out 5 drill hole locations, refer to Figure 1.
- E. Using a 6mm drill bit, drill the 5 holes marked on the wall and fit with the supplied wall plugs, have at least one screw in a wall stud. **NOTE: If hole locations are on studs, you do not need to drill or use wall plugs, simply apply screws directly into studs.**
- F. Lift the appliance onto the wall, align with the 5 pre-drilled holes. Secure the appliance to the wall, refer to Figure 3.
- G. Sprinkle the crystal embers along the ember bed, refer to Figure 4.
- H. Install the glass front onto the appliance and secure with the two screws from Step B.
- I. Check the appliance for stability ensuring it will not pull free from the wall.

FIG. 1

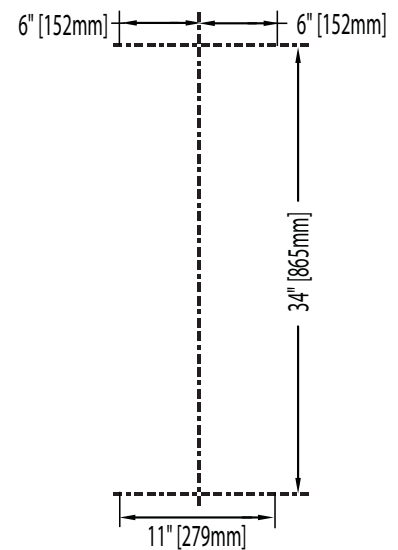


FIG. 2

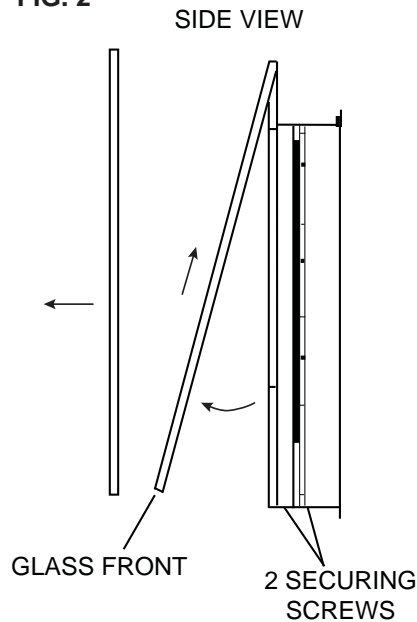


FIG. 3

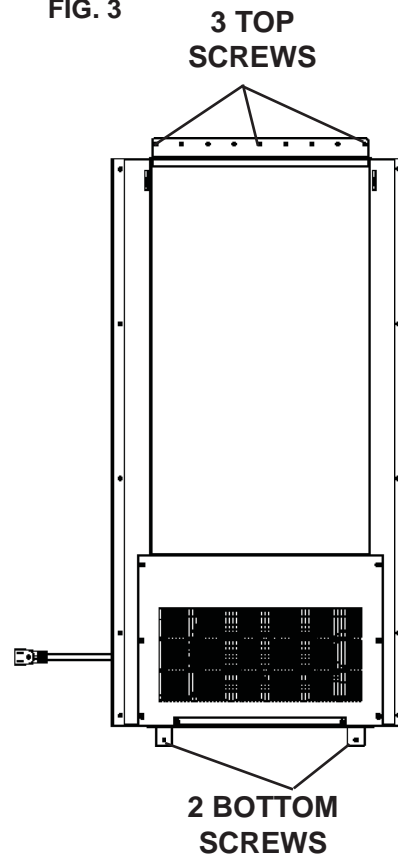


FIG. 4

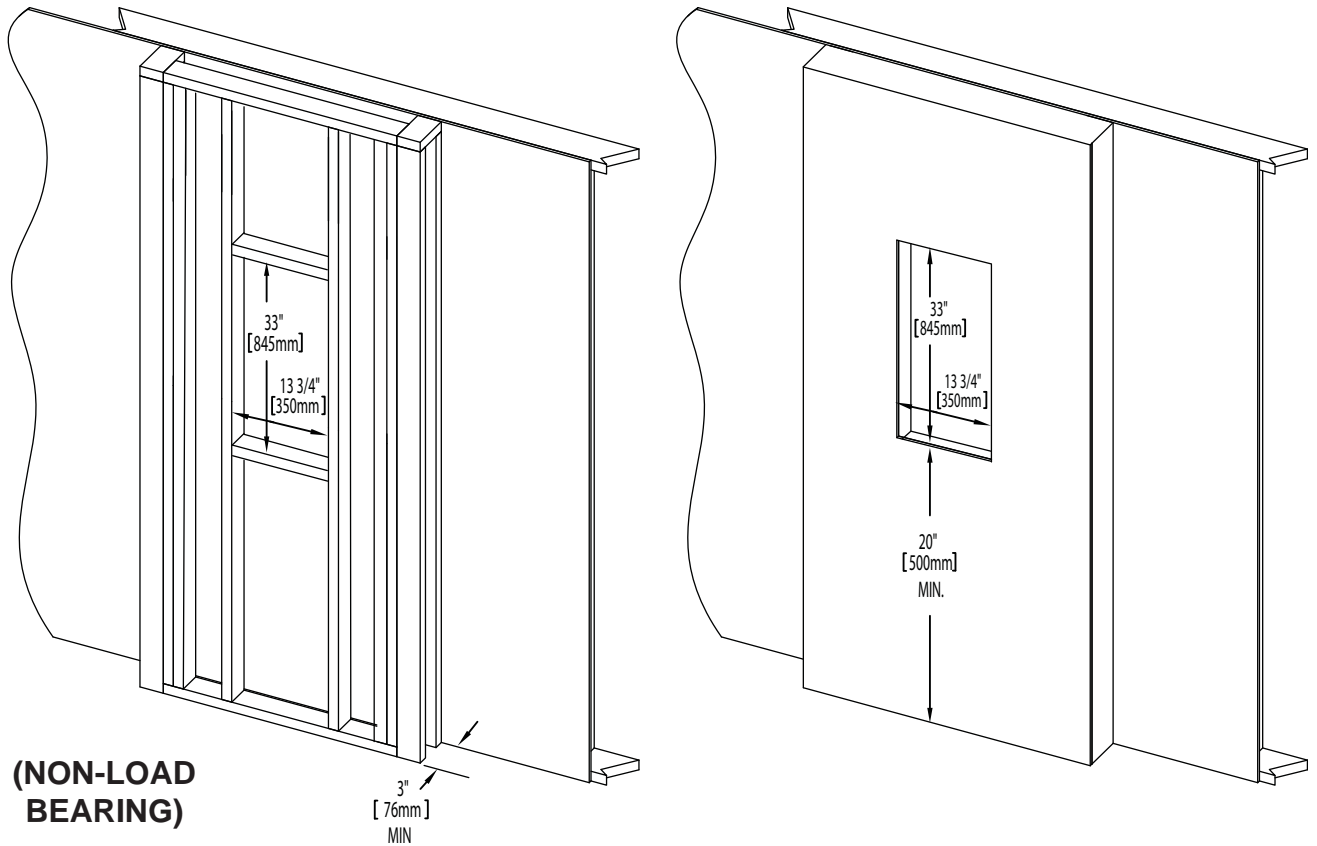


3.4 RECESSING INSTALLATION

The appliance can be recessed into the wall a maximum of 2 1/2" (63mm). Select a location that is not prone to moisture and is located at least 36" (914mm) away from combustible materials such as curtain drapes, furniture, bedding, paper etc.

3.4.1 BUILT-IN FRAMING

Finishing Material



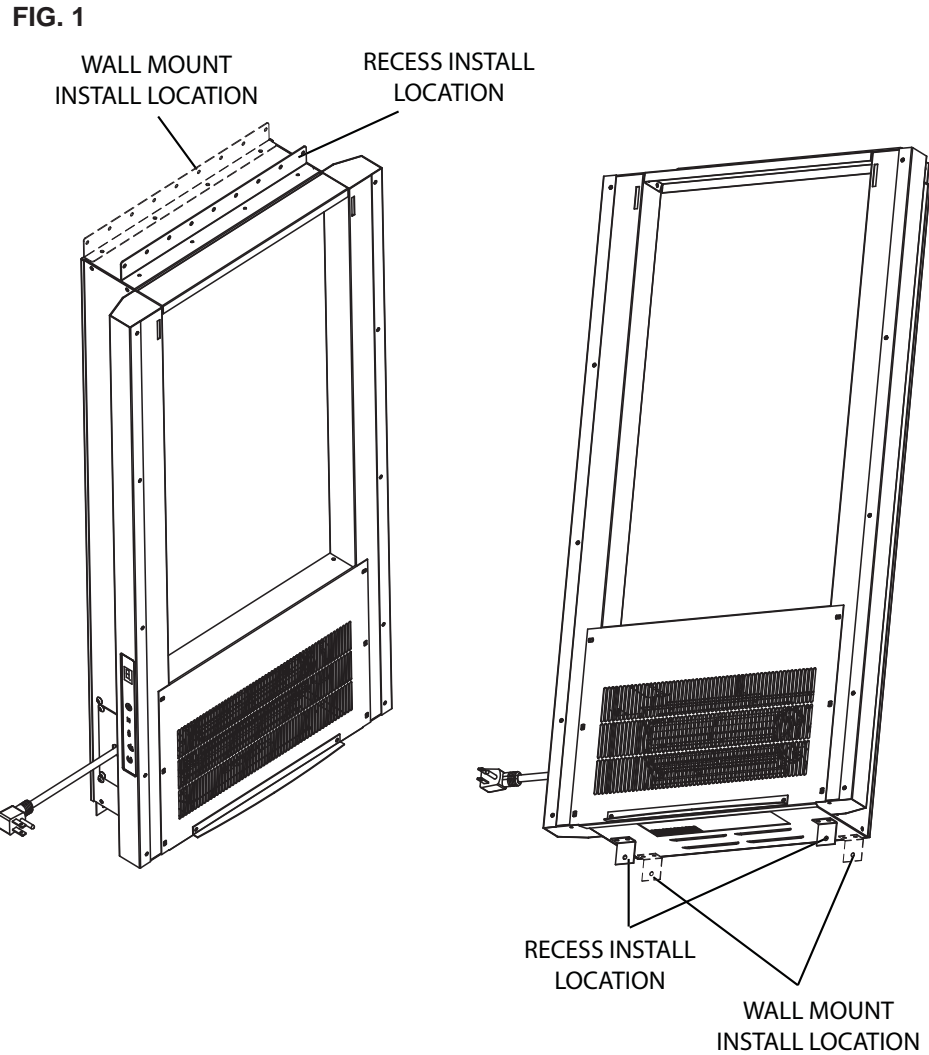
(NON-LOAD BEARING)

- A. Once the rough opening has been prepared, and the power has been routed to the left side of the recess, the appliance may be installed.
- B. With the front glass removed, secure the top and bottom brackets to recess installation location, refer to "MOUNTING BRACKET INSTALLATION" section.
- C. Lift the appliance up to the framing opening, maintaining at least 1/2" (13mm) clearance to the left side.
- D. The electrical connection must be made prior to sliding the appliance into place. (See "HARD WIRE INSTALLATION" section.)
- E. Sprinkle the crystal embers along the ember bed and reinstall the glass front.
- F. Install front glass, refer to "GLASS FRONT REMOVAL" section.

NOTE: In order to avoid the possibility of exposed insulation or vapour barrier coming in contact with the appliance body, it is recommended that the walls of the appliance enclosure be "finished" (ie. drywall/sheetrock), as you would finish any other outside wall of a home. This will ensure that clearance to combustibles is maintained within the cavity.

3.4.2 MOUNTING BRACKET INSTALLATION

- A. Remove the glass front, refer to "GLASS FRONT REMOVAL" section for removal instructions.
- B. Remove the crystals from the appliance prior to installing the mounting brackets.
- C. Remove the 4 screws from the top and bottom brackets, refer to Figure 1.
- D. Re-arrange the top and bottom brackets so the top bracket is on the bottom and vice versa. Secure the brackets onto the appliance, refer to Figure 1.
- E. Level the appliance and secure the brackets and appliance to the wall.



3.5 HARD WIRING INSTALLATION

EN

! WARNING

TURN OFF THE APPLIANCE COMPLETELY AND LET COOL BEFORE SERVICING. ONLY A QUALIFIED SERVICE PERSON SHOULD SERVICE AND REPAIR THIS ELECTRIC APPLIANCE.

HARD WIRING CONNECTION

If it is necessary to hard wire this appliance, a qualified electrician must disconnect the existing power cord, and connect the appliance directly to the house wiring.

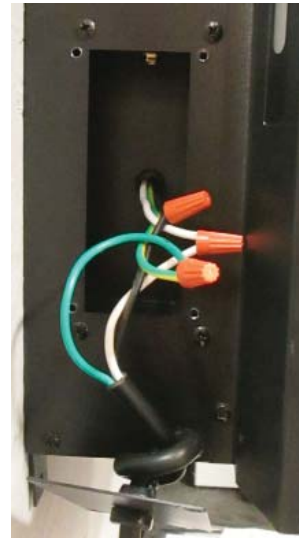
This appliance must be electrically connected and grounded in accordance with local codes, if hard wired. In the absence of local codes, use the current CSA C22.1 CANADIAN ELECTRICAL CODE in Canada or the current ANSI/NFPA 70 NATIONAL ELECTRICAL CODE in the United States.

Fig. 1



A. Remove the cover plate from the left side of the appliance by removing the four screws, as shown above.

Fig. 2



B. Remove the wire connectors from the power cord. The power cord may be discarded.

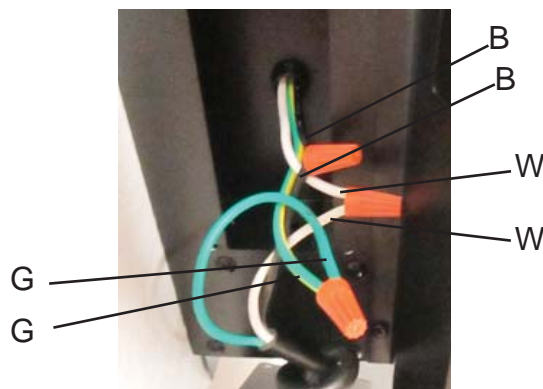
C. Take the alternate cover plate, supplied in the manual bag. Punch out the 7/8" (22mm) hole and install a box connector on the coverplate. Tighten the box connector clamp onto the supply wires.

D. Using the wire connectors, connect the neutral white wires (W) together, then live black wires (B), and then the ground green wires (G), refer to Figure 3.

E. Install the cover plate using the four screws, as shown in step A.

NOTE: Leave enough wire so that the appliance can be removed from the enclosure without disconnecting the power supply.

Fig. 3



4.0 FINISHING

! WARNING

POWER SUPPLY SERVICE MUST BE COMPLETED PRIOR TO FINISHING TO AVOID RECONSTRUCTION.

HEAT VENTS AND AIR OPENINGS CANNOT BE COVERED IN ANY CIRCUMSTANCES.

EN

4.2 GLASS FRONT REMOVAL

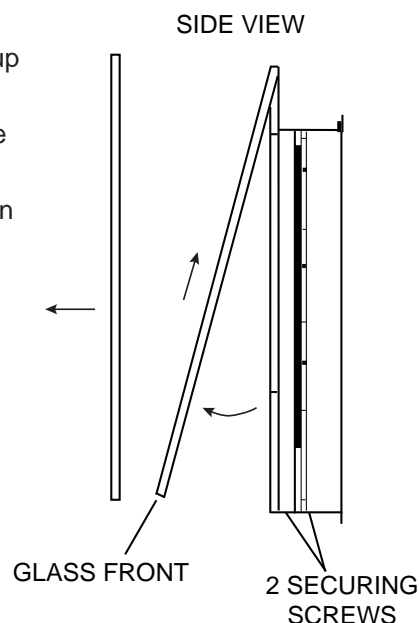
! WARNING

FACING AND/OR FINISHING MATERIALS MUST NOT INTERFERE WITH AIR FLOW THROUGH AIR OPENINGS, LOUVRES OPENINGS, OPERATION OF LOUVRES OR DOORS OR ACCESS FOR SERVICE. OBSERVE ALL CLEARANCES WHEN APPLYING COMBUSTIBLE MATERIALS.

BEFORE FRONT GLASS IS REMOVED TURN THE APPLIANCE OFF AND WAIT UNTIL APPLIANCE IS COOL TO THE TOUCH. DOORS ARE HEAVY AND FRAGILE SO HANDLE WITH CARE.

75.1

- A. Remove the 2 bottom securing screws off the appliance. Pull the bottom of the glass front away from the appliance and lift up to disengage the top.
- B. Tilt the glass front away from the unit. Slightly pull down on the glass to release from the top catch.
- C. Remove and place on a soft non-abrasive surface, as shown in the illustration.
- D. Reverse steps to reinstall the glass front.



4.1 CRYSTAL EMBER INSTALLATION

Glass front must be removed and the appliance must be mounted in its final location before the crystal embers are installed.

- A. **CLEAN CRYSTAL MEDIA:** Crystal embers may have a fine oil residue that needs to be cleaned prior to installation. Clean the crystal with mild dish soap, drain, rinse thoroughly and dry before placing into the tray.
- B. Carefully place crystal embers into the bottom tray on the front of the appliance as illustrated. Apply an even layer from side to side.





5.0 OPERATING INSTRUCTIONS

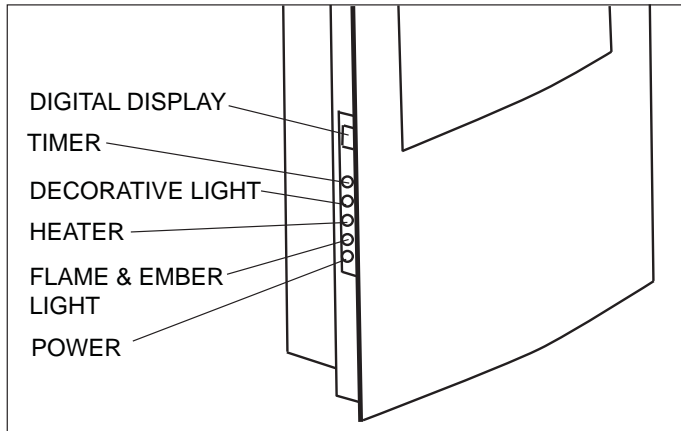
Once the appliance has been plugged into a grounded electrical outlet, it is ready to operate.

NOTE: Ensure the house circuit breakers for the power supply are turned on. The power supply must be 120 Volts/ 60Hz, 15 Amps.

5.1 MAIN POWER SWITCH & OPERATING CONTROLS

The control panel is located on the left side of the appliance as illustrated.









The  indicates ON / OFF. Push the  to turn on the appliance and the flame effect.



NOTE: Control panel functions operate the same as the remote control.

Remote Control:



POWER		Turns the appliance ON/OFF.																																					
FLAME & EMBER LIGHT CONTROL		Controls flame ON/OFF and the ember light colours which cycle in the following sequence: Orange / Blue / Purple / Cycle / Off NOTE: When the heater is ON, the flames and embers can not be turned OFF.																																					
HEATER LOCK	 Hold 5 seconds	Heater button can be locked or unlocked by holding for 5 seconds.																																					
HEATER CONTROL		Turns the heater ON/OFF.																																					
TEMPERATURE SENSOR	 Hold 5 seconds	Adjusts heater to a desired temperature based on environment. Hold for 5 seconds and wait for display to flash. Cycle through the display value to select desired temperature.																																					
<table border="1"> <thead> <tr> <th>Display Value</th> <th>0</th> <th>1</th> <th>2</th> <th>3</th> <th>4</th> <th>5</th> <th>6</th> <th>7</th> <th>8</th> <th>9</th> <th>N</th> </tr> </thead> <tbody> <tr> <td rowspan="2">Temperature</td> <td>°C</td> <td>18</td> <td>19</td> <td>20</td> <td>21</td> <td>22</td> <td>23</td> <td>24</td> <td>25</td> <td>26</td> <td>27</td> <td>ON</td> </tr> <tr> <td>°F</td> <td>64</td> <td>66</td> <td>68</td> <td>70</td> <td>72</td> <td>74</td> <td>76</td> <td>78</td> <td>80</td> <td>82</td> <td>ON</td> </tr> </tbody> </table>			Display Value	0	1	2	3	4	5	6	7	8	9	N	Temperature	°C	18	19	20	21	22	23	24	25	26	27	ON	°F	64	66	68	70	72	74	76	78	80	82	ON
Display Value	0	1	2	3	4	5	6	7	8	9	N																												
Temperature	°C	18	19	20	21	22	23	24	25	26	27	ON																											
	°F	64	66	68	70	72	74	76	78	80	82	ON																											
DECORATIVE LIGHT		Push this button to select one of these decorative colour options: Orange / Blue / Purple / Auto Cycle / Off																																					
TIMER		Timer can be programed to run appliance / heater for specific lengths of time (1hr minimum to 9hrs maximum).																																					
DIGITAL DISPLAY		Digital display of appliance functions.																																					

6.0 MAINTENANCE

6.1 PCB (CONTROL BOARD)

! WARNING

PREPARATION FOR MAINTENANCE
ALWAYS DISCONNECT THE POWER AND ALLOW THE ELECTRIC APPLIANCE TO COOL BEFORE PERFORMING ANY CLEANING, MAINTENANCE OR RELOCATION OF THIS ELECTRIC APPLIANCE. TURN CONTROLS TO OFF AND REMOVE PLUG FROM OUTLET OR TURN OFF THE HOUSE CIRCUIT BREAKER TO ELECTRIC APPLIANCE RECEPTACLE.

To replace the PCB remove the glass door see "GLASS DOOR REMOVAL" section.

- A. Remove the crystal media from the appliance.
- B. Remove the plastic panel prior to accessing the circuit board.
- C. Remove the 4 screws and replace the existing PCB with the new PCB.

6.2 REMOTE BATTERY INSTALLATION

1. Turn over the remote with rear side facing up. Slide the battery cover off the remote.
2. Place type CR 2032 battery into the remote and reinstall the battery cover by sliding it into position, as shown. **NOTE: For ease of installation, hold the battery while sliding the cover onto the remote**
3. Battery cover is secure onto the remote control when a "CLICKING" noise is heard.

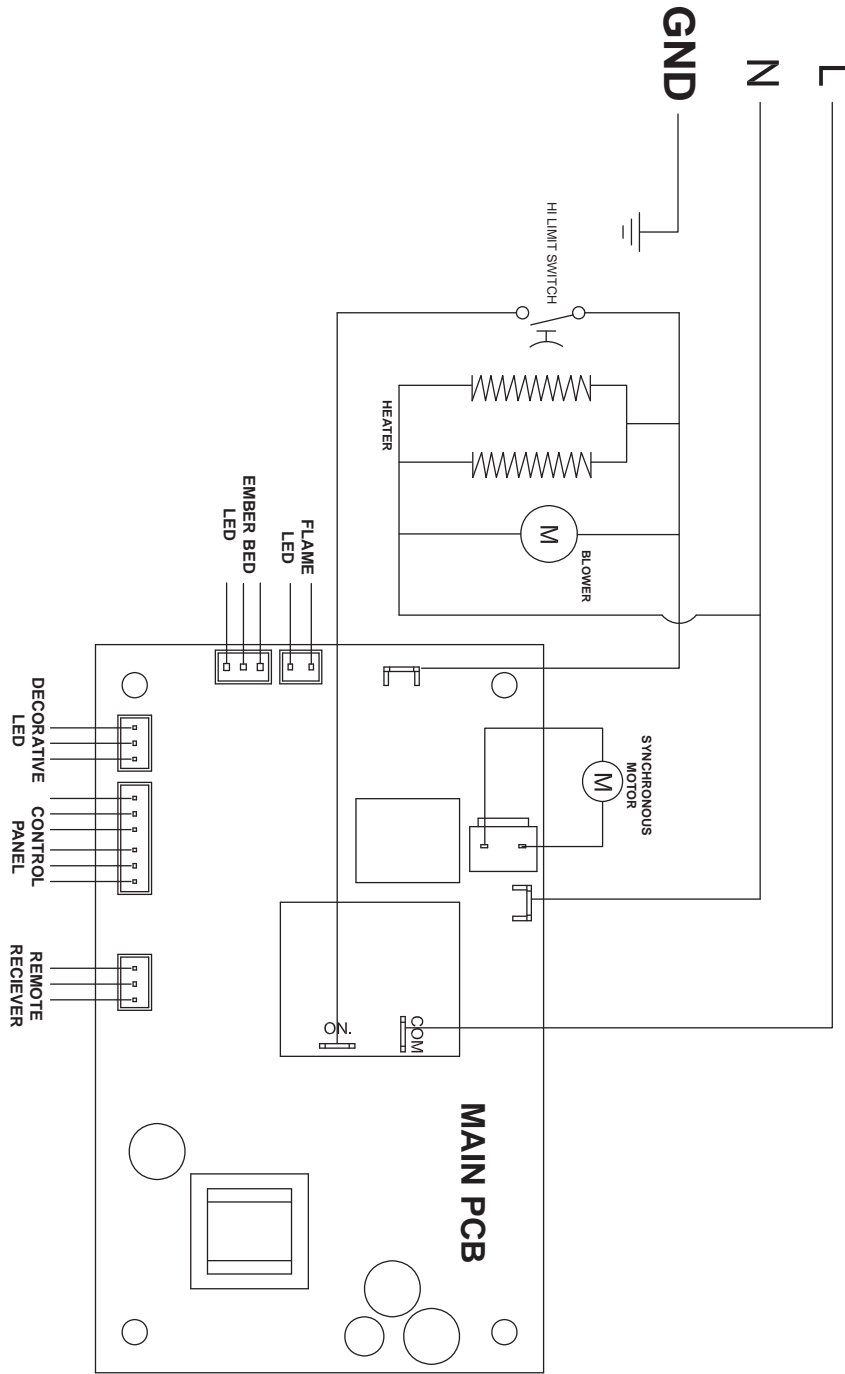


7.0 WIRING DIAGRAM

EN

! WARNING

TURN OFF THE APPLIANCE COMPLETELY AND LET COOL BEFORE SERVICING. ONLY A QUALIFIED SERVICE PERSON SHOULD SERVICE AND REPAIR THIS ELECTRIC APPLIANCE.



8.0 REPLACEMENT PARTS

Contact your dealer or the factory for questions concerning prices and policies on replacement parts. Normally all parts can be ordered through your Authorized dealer / distributor.

FOR WARRANTY REPLACEMENT PARTS, A PHOTOCOPY OF THE ORIGINAL INVOICE WILL BE REQUIRED TO HONOUR THE CLAIM.

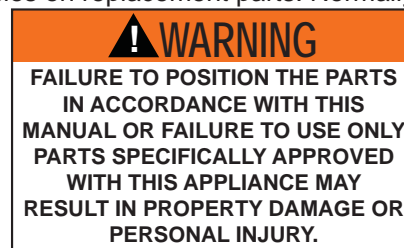
When ordering replacement parts always give the following information:

- Model & Serial Number of appliance
- Installation date of appliance
- Part number
- Description of part
- Finish

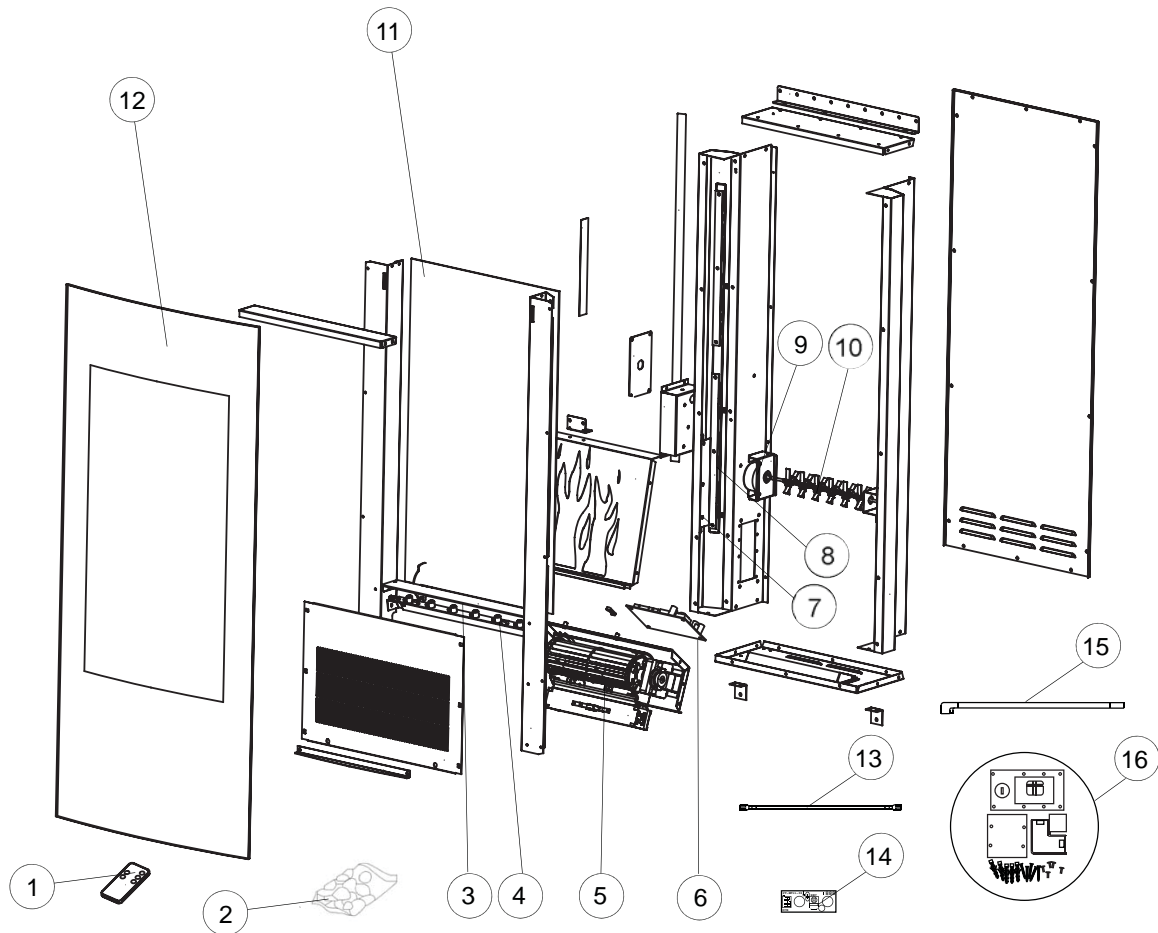
*** IDENTIFIES ITEMS WHICH ARE NOT ILLUSTRATED. FOR FURTHER INFORMATION, CONTACT YOUR AUTHORIZED DEALER.** _____

41.1

For after sales service, please call 1-866-820-8686



EN



ITEMS MAY NOT APPEAR EXACTLY AS ILLUSTRATED

REF. #	PART #	DESCRIPTION
1	W190-0074	REMOTE CONTROL
2	W135-0587	LOG & CRYSTAL GLASS (PLASTIC)
3	W405-0020	FLAME LIGHT LED
4	W405-0021	LOG LIGHT LED
5	W062-0060	BLOWER C/W HEATER
6	W190-0076	MAIN PCB
7	W190-0075	CONTROL PANEL PCB
8	W405-0022	DECORATIVE LED
9	W435-0073	SYNCHRONOUS MOTOR
10	W010-3391	REFLECTOR SPINDLE
11	W475-0988	PP BOARD
12	W300-0197	FRONT GLASS
13	W750-0341	WIRE HARNESS
14	W190-0078	REMOTE RECEIVER
15	W200-0508	CORD COVER
16	W020-0886	HARDWARE KIT

9.0 TROUBLESHOOTING

**WARNING**

TURN OFF THE APPLIANCE COMPLETELY AND LET COOL BEFORE SERVICING. ONLY A QUALIFIED SERVICE PERSON SHOULD SERVICE AND REPAIR THIS ELECTRIC APPLIANCE.

EN

SYMPTOM	PROBLEM	TEST SOLUTION
Dim or no flame	Flame LED's are burnt out	Inspect the LED's and replace them if necessary.
Ember bed is not glowing or dimming	Ember LED's are burnt out	Inspect the ember bed LED's and replace them if necessary.
No warm air coming out of appliance	Room temperature is higher than the appliance setting (if it is set to room temperature)	Reset temperature setting.
	Heater is burnt out	Inspect the burner and heater assembly (W062-0047) and replace it if necessary.
Appliance turns off and will not turn on	Appliance has overheated and safety thermal switch has tripped	Unplug power cord and allow appliance to cool for 15 minutes, then plug in the power cord and turn the power ON.
	House circuit breaker has tripped	Reset house circuit breaker.
	Appliance's fuse has blown	Replace the fuse.
Appliance will not come on when switch is flipped to ON	Appliance is not plugged into an electrical outlet	Check plug and plug it in.
	Appliance has overheated and safety thermal switch has tripped	Unplug power cord and allow appliance to cool for 15 minutes, then plug in the power cord and turn the power ON.
	Circuit board is burnt out	Inspect the circuit board and replace it if necessary.
Remote control does not work	Low batteries	Replace batteries in remote control.
Heater shuts off automatically	Room is too warm	The heater has a built-in thermostat so it will shut off automatically once the pre-set temperature is reached. It will also turn on automatically if the room temperature drops below the pre-set temperature.

10.0 WARRANTY

NAPOLEON® electric appliances are manufactured under the strict Standard of the world recognized ISO 9001 : 2008 Quality Assurance Certificate.

NAPOLEON® products are designed with superior components and materials, assembled by trained craftsmen who take great pride in their work. Once assembled the complete appliance is thoroughly inspected by a qualified technician before packing to ensure that you , the customer, receive the quality product that you expect from NAPOLEON®.

NAPOLEON® ELECTRIC APPLIANCE LIMITED WARRANTY

Electrical components and wearable parts such as fan/heater, motors, switches, nylon bearing components and remote controls are covered and NAPOLEON® will provide replacement parts free of charge during the first year of limited warranty. Light bulbs and fuses are NOT covered by the warranty.
Any labour related to warranty repair is not covered.
* Construction of models vary. Warranty applies only to components included with your specific appliance.

CONDITIONS AND LIMITATIONS

NAPOLEON® warrants its products against manufacturing defects to the original purchaser only. Registering your warranty is not necessary. Simply provide your proof of purchase along with the model and serial number to make a warranty claim. NAPOLEON® reserves the right to have its representative inspect any product or part thereof prior to honouring any warranty claim. Provided that the purchase was made through an authorized NAPOLEON® dealer your appliance is subject to the following conditions and limitations:

Warranty coverage begins on the date of original installation.

This factory warranty is non-transferable and may not be extended whatsoever by any of our representatives.

Installation must be done in accordance with the installation instructions included with the product and all local and national building and fire codes. This limited warranty does not cover damages caused by misuse, lack of maintenance, accident, alterations, abuse or neglect and parts installed from other manufacturers will nullify this warranty.

This limited warranty further does not cover any scratches, dents, corrosion or discoloring caused by excessive heat, abrasive and chemical cleaners nor chipping on porcelain enamel parts, mechanical breakage of PHAZER™ logs.

In the first year only, this warranty extends to the repair or replacement of warranted parts which are defective in material or workmanship provided that the product has been operated in accordance with the operation instructions and under normal conditions.

NAPOLEON® will not be responsible for installation, labour or any other expenses related to the reinstallation of a warranted part and such expenses are not covered by this warranty. Notwithstanding any provisions contained in the Limited Warranty, NAPOLEON's responsibility under this warranty is defined as above and it shall not in any event extend to any incidental, consequential or indirect damages.

This warranty defines the obligations and liability of NAPOLEON® with respect to the NAPOLEON® electric appliance and any other warranties expressed or implied with respect to this product, its components or accessories are excluded.

NAPOLEON® neither assumes, nor authorizes any third party to assume, on its behalf, any other liabilities with respect to the sale of this product.

Any damages to appliance, brass trim or other component due to water, weather damage, long periods of dampness, condensation, damaging chemicals or cleaners will not be the responsibility of NAPOLEON®.

The bill of sale or copy will be required together with a serial number and a model number when making any warranty claims from your authorized dealer. The warranty registration card must be returned within fourteen days to register the warranty.

NAPOLEON® reserves the right to have its representative inspect any product or part thereof prior to honouring any warranty claim.

All parts replaced under the Limited Warranty Policy are subject to a single claim.

All parts replaced under the warranty will be covered for a period of 90 days from the date of their installation.

The manufacturer may require that defective parts or products be returned or that digital pictures be provided to support the claim. Returned products are to be shipped prepaid to the manufacturer for investigation. If a product is found to be defective, the manufacturer will repair or replace such defect.

Before shipping your appliance or defective components, your dealer must obtain an authorization number. Any merchandise shipped without authorization will be refused and returned to sender.

Shipping costs are not covered under this warranty.

Additional service fees may apply if you are seeking warranty service from a dealer.

ALL SPECIFICATIONS AND DESIGNS ARE SUBJECT TO CHANGE WITHOUT PRIOR NOTICE DUE TO ON-GOING PRODUCT IMPROVEMENTS.
NAPOLEON® IS A REGISTERED TRADEMARK OF WOLF STEEL LTD.

Other Napoleon Products



Fireplace Inserts • Charcoal Grills • Gas Fireplaces • Waterfalls • Wood Stoves
Heating & Cooling • Electric Fireplaces • Outdoor Fireplaces • Gourmet Grills



24 Napoleon Road, Barrie, Ontario, Canada L4M 0G8
214 Bayview Drive, Barrie, Ontario, Canada L4N 4Y8
103 Miller Drive, Crittenden, Kentucky, USA 41030
7200 Trans Canada Highway, Montreal, Quebec, Canada H4T 1A3

Fireplaces / Heating & Cooling call: 705-721-1212 • Grills call: 705-726-4278
napoleonproducts.com



INSTALLATEUR : LAISSEZ CE MANUEL AVEC L'APPAREIL.
PROPRIÉTAIRE : CONSERVEZ CE MANUEL POUR CONSULTATION ULTÉRIEURE.
NE LAISSEZ PAS LES ENFANTS OU AUTRES INDIVIDUS À RISQUE SEULS À PROXIMITÉ DE L'APPAREIL



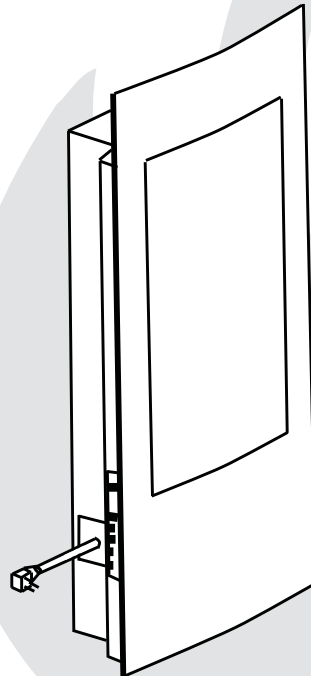
INSTRUCTIONS D'INSTALLATION ET D'OPÉRATION

FR

CONFORME AUX LES NORMES NATIONALES AMÉRICAINES: ANSI Z21.50, CERTIFIÉ CANADIENNES: CSA 2.22 FOYER À GAZ VENTILÉ.

NEFV38H

FOYER ÉLECTRIQUE



CONSIGNES DE SÉCURITÉ

⚠️ AVERTISSEMENT

Si ces instructions ne sont pas suivies à la lettre, un incendie ou une explosion pourraient s'ensuivre causant des dommages matériels, des blessures corporelles ou des pertes de vie.

- N'entrez pas et n'utilisez pas d'essence ou autres liquides et vapeurs inflammables à proximité de cet appareil ou tout autre appareil.



APPOSEZ L'ÉTIQUETTE DU NUMÉRO DE SÉRIE DU CARTON



N° de série XXXXXX000000
N° DE MODÈLE

Wolf Steel Ltd., 24 Napoleon Rd., Barrie, ON, L4M 0G8 Canada /
103 Miller Drive, Crittenden, Kentucky, USA, 41030

Téléphone 705-721-1212 • Télécopieur 705-722-6031 • www.napoleonfoyers.com • hearth@napoleonproducts.com

10,00 \$

1.16E

W415-1352 / A / 03.17.15

TABLE DES MATIÈRES

1.0	INTRODUCTION	27
1.1	DIMENSIONS	28
1.2	HOMOLOGATIONS	28
1.3	INSTRUCTIONS GÉNÉRALES	29
1.4	DÉBALLAGE ET VÉRIFICATION DE L'APPAREIL	29
1.5	PIÈCES FOURNIES	30
2.0	EMPLACEMENT DE L'APPAREIL	31
2.1	MISE À LA TERRE DE L'APPAREIL	31
3.0	INSTALLATION	32
3.1	DÉGAGEMENTS MINIMAUX AUX MATÉRIEAUX COMBUSTIBLES	32
3.2	INSTALLATION DE L'APPAREIL - FIXATION MURALE	33
3.4	INSTALLATION ENCASTRÉ	34
3.4.1	DÉGAGEMENT MINIMUM AUX COMBUSTIBLES	34
3.4.2	OSSATURE - ENCASTRÉ	34
3.4.3	INSTALLATION DU SUPPORT DE FIXATION	35
3.5	BRANCHEMENT PAR CABLE	36
4.0	FINITIONS	37
4.2	L'ENLÈVEMENT DU PORTE VITRÉE	37
4.1	L'INSTALLATION DES BRAISE DE VERRE	37
5.0	INSTRUCTIONS DE FONCTIONNEMENT	38
5.1	INTERRUPTEUR	38
6.0	ENTRETIEN	39
6.1	CARTE DE CIRCUIT IMPRIMÉ	39
6.2	INSTALLATION DE LA PILE DE LA TÉLÉCOMMANDE	39
7.0	SCHÉMA DE CÂBLAGE	40
8.0	RECHANGES	41
9.0	GUIDE DE DÉPANNAGE	43
10.0	GARANTIE	44
11.0	HISTORIQUE D'ENTRETIEN	45
12.0	NOTES	46

FR

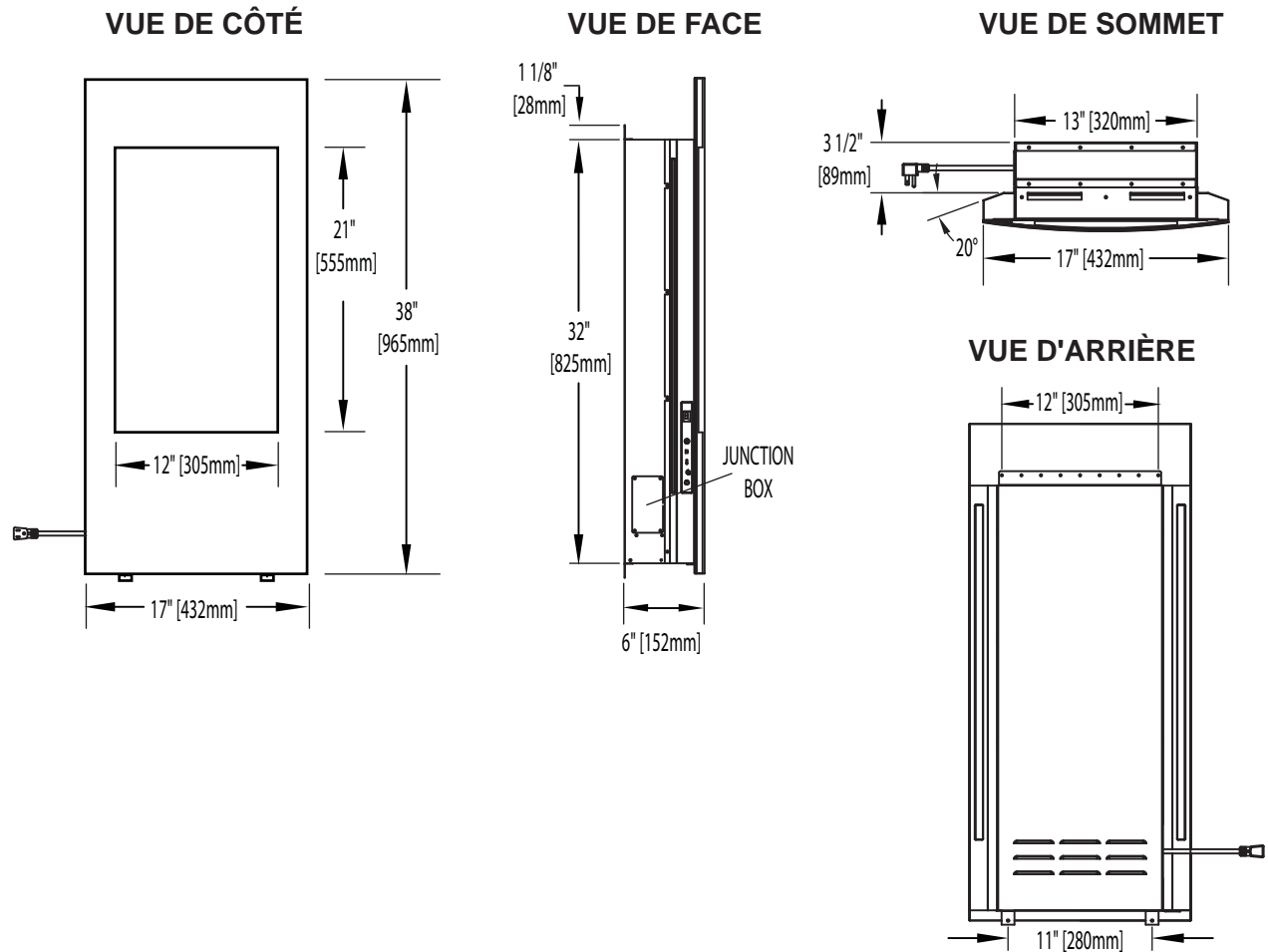
NOTE: Les changements autres que de nature éditoriale sont dénotés par une ligne verticale dans la marge.

1.0 INTRODUCTION

AVERTISSEMENT

- **CET APPAREIL EST CHAUD LORSQU'IL FONCTIONNE ET PEUT CAUSER DE GRAVES BRÛLURES EN CAS DE CONTACT.**
- Ne faites pas fonctionner l'appareil avant d'avoir lu et compris les instructions d'utilisation. Ne pas respecter les instructions pourrait causer un incendie ou des blessures corporelles.
- Risque de brûlures. L'appareil doit être éteint et refroidi avant d'effectuer l'entretien. Pour débrancher l'appareil, mettez d'abord les boutons de contrôle à « OFF » puis retirez la fiche de la prise de courant.
- N'installez pas de composants endommagés ou incomplets ni des composants de substitution.
- Ne brûlez pas de bois ou autres matériaux dans cet appareil.
- Les jeunes enfants doivent être supervisés attentivement lorsqu'ils sont dans la même pièce que l'appareil. Les jeunes enfants et autres personnes sont sujets aux brûlures accidentelles. Une barrière de protection est recommandée s'il y a dans la maison des individus à risque. Afin de restreindre l'accès à l'appareil, installez une barrière de protection ajustable pour garder les jeunes enfants ou autres personnes à risque hors de la pièce et loin des surfaces chaudes.
- Les vêtements et autres matériaux combustibles ne doivent pas être posés sur l'appareil ou à proximité.
- En raison des températures élevées, l'appareil devrait être placé loin des endroits passants et loin des meubles et des rideaux.
- Assurez-vous de disposer de mesures de sécurité adéquates pour empêcher les jeunes enfants de toucher aux surfaces chaudes.
- Même lorsque l'appareil est éteint, la porte et l'écran demeureront chauds pendant un bon moment.
- Consultez votre détaillant local de foyer pour connaître les grillages de sécurité et les écrans offerts pour protéger les enfants des surfaces chaudes. Ces grillages de sécurité et ces écrans doivent être fixés au plancher.
- Les grillages de sécurité ou écrans enlevés pour faire l'entretien devront être remis en place avant d'utiliser l'appareil.
- Il est primordial de garder propres les compartiments de contrôle, la soufflerie et les bouches d'air de l'appareil. L'appareil doit être inspecté avant la première utilisation et au moins une fois l'an par un spécialiste en entretien. Un entretien plus fréquent pourrait être nécessaire en raison des peluches provenant des tapis, literie, etc. L'emplacement de l'appareil doit être gardé libre de tous matériaux combustibles, essence ou autres liquides et vapeurs inflammables.
- Cet appareil ne devra être modifié en aucun cas.
- N'utilisez pas cet appareil si une partie quelconque a été submergée. Contactez immédiatement un technicien de service qualifié pour inspecter l'appareil et pour remplacer toute pièce du système de contrôle qui aurait été submergée.
- Ne pas opérer l'appareil lorsque la porte vitrée est enlevée, fissurée ou brisée. Le remplacement de la vitre devra être effectué par un technicien de service certifié ou qualifié.
- Ne frappez pas et ne claquez pas la porte vitrée de l'appareil.
- Les matériaux d'emballage doivent être gardés hors de la portée des enfants et mis au rebut de façon sécuritaire. Comme tous les emballages de plastique, ceux-ci ne sont pas des jouets et doivent demeurer hors de la portée des enfants et des bébés.
- L'entretien ne doit être effectué que lorsque l'appareil est débranché du circuit électrique.
- Débranchez toujours l'appareil lorsqu'il n'est pas utilisé.
- N'utilisez pas l'appareil si le cordon d'alimentation ou la fiche sont endommagés, s'il ne fonctionne pas bien, ou s'il a été échappé ou endommagé d'une quelconque façon. Retournez l'appareil à un centre de service autorisé pour une inspection, des ajustements électriques ou mécaniques ou une réparation.
- N'utilisez pas cet appareil à l'extérieur.
- Ne placez jamais l'appareil à un endroit où il risque de tomber dans une baignoire ou tout autre réservoir contenant de l'eau.
- Ne passez pas le cordon d'alimentation sous un tapis. Ne recouvrez pas le cordon avec des carpettes, des tapis de couloir ou autres revêtements similaires. Évitez de placer le cordon dans un endroit passant ou à un endroit où il risque de causer des chutes.
- Branchez seulement dans une prise de courant adéquatement mise à la terre.
- N'insérez pas d'objets dans les ouvertures d'entrée d'air ou de sortie d'air puisque cela risque d'endommager l'appareil ou causer des chocs électriques ou un incendie.
- Pour prévenir les risques d'incendie, ne bloquez pas les entrées d'air et les sorties d'air de quelque manière que ce soit. Ne placez pas cet appareil sur une surface molle telle qu'un tapis où les ouvertures pourraient se bloquer.
- Branchez toujours les appareils directement dans une prise de courant. N'utilisez jamais de rallonge ou de prise électrique relogeable (prise/barre d'alimentation).
- Assurez-vous de respecter les dégagements aux matériaux combustibles lorsque vous installez un manteau ou des tablettes au-dessus de l'appareil. Les téléviseurs et autres composants électroniques soumis à des températures élevées peuvent fondre, se déformer, se décolorer et entraîner des défaillances prématurées de ces appareils.

1.1 DIMENSIONS



1.2 HOMOLOGATIONS

Cet appareil a été testé selon les normes CSA pour foyers électriques installés de façon permanente aux États-Unis et au Canada. Si vous avez besoin d'assistance durant l'installation, veuillez contacter votre détaillant local.

NOTE: Cet appareil doit être raccordé électriquement et mis à la terre selon les codes locaux ou, en l'absence de tels codes, avec le National Electrical Code ANSI/NFPA 70-la dernière édition aux États-Unis ou le Code canadien de l'électricité CSA C22.1 au Canada.

Numéro de modèle	NEFV38H
Description	Installation murale
Tension	120 V CA~60Hz
Puissance	Max 1500 W
Ampères	15 A circuit mis à la terre
Largeur	17" (432mm)
Hauteur	38" (965mm)
Profondeur	6" (152mm)
Poids Net	14.5kg (32lbs)
Poids brut	17kg (37lbs)

1.3 INSTRUCTIONS GÉNÉRALES

! AVERTISSEMENT
VEUILLEZ LIRE LE MANUEL D'INSTRUCTIONS EN ENTIER AVANT DE COMMENCER L'INSTALLATION. OMETTRE DE SUIVRE CES INSTRUCTIONS POURRAIT CAUSER UN MAUVAIS FONCTIONNEMENT DE L'APPAREIL ET ENTRAÎNER DES BLESSURES GRAVES ET/OU DES DOMMAGES MATÉRIELS.
TOUS LES APPAREILS ÉLECTRIQUES CONTIENNENT DES COMPOSANTS INTERNES QUI DEVIENNENT CHAUDS ET QUI PRODUISENT DES ÉTINCELLES. N'UTILISEZ PAS CET APPAREIL DANS DES ENDROITS OÙ DE L'ESSENCE, DES PEINTURES OU D'AUTRES LIQUIDES INFLAMMABLES SONT PRÉSENTS.
CET APPAREIL ÉLECTRIQUE A ÉTÉ TESTÉ ET HOMOLOGUÉ POUR USAGE AVEC LES ACCESSOIRES OPTIONNELS LISTÉS DANS CE MANUEL UNIQUEMENT. L'UTILISATION D'ACCESSOIRES OPTIONNELS QUI N'ONT PAS ÉTÉ SPÉCIFIQUEMENT TESTÉS POUR CET APPAREIL ÉLECTRIQUE ANNULERA LA GARANTIE DE L'APPAREIL ET/OU PRÉSENTERA DES RISQUES POUR LA SÉCURITÉ.
NE PAS OUVRIR. RISQUE DE CHOC ÉLECTRIQUE. AUCUNE PIÈCE RÉPARABLE PAR L'UTILISATEUR À L'INTÉRIEUR.
N'UTILISEZ PAS DE CORDONS D'ALIMENTATION ENDOMMAGÉS.
L'ENTRETIEN NE DOIT ÊTRE EFFECTUÉ QUE LORSQUE L'APPAREIL EST DÉBRANCHÉ DU CIRCUIT ÉLECTRIQUE.
POUR ÉVITER LES CHOCS ÉLECTRIQUES, INTRODUISEZ LA BRANCHE LA PLUS LARGE DE LA FICHE DANS LA FENTE CORRESPONDANTE DE LA PRISE ET INSÉREZ JUSQU'AU FOND.

- A.** Avant de brancher votre appareil dans une prise de courant, vérifiez si le disjoncteur de la maison pour ce circuit est allumé.
- B.** Il est possible que l'appareil dégage une légère odeur inoffensive lors de la première utilisation. Cela est une condition normale causée par le chauffage initial des éléments de l'appareil. Elle ne se reproduira plus.
- C.** Si votre appareil n'émet pas de chaleur, consultez la section « Fonctionnement » de ce manuel pour de plus amples renseignements.
- D.** Utilisez avec un limiteur de surtension certifié CSA ou UL.

Cet appareil électrique répond aux normes de construction et de sécurité du H.U.D. pour des applications dans des maisons préfabriquées lorsqu'il est installé selon ces instructions.

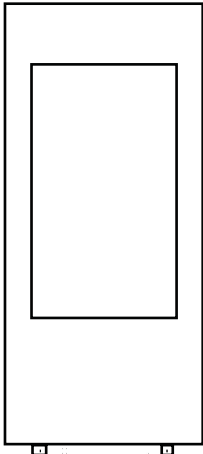








4.8A

Comme avec la plupart des appareils électroniques, votre nouveau foyer électrique a été conçu pour fonctionner à des températures comprises entre 5 ° C (41 ° F) et 35 ° C (95 ° F). Pendant les mois froids de l'hiver, la cheminée permet d'atteindre la température ambiante avant de l'allumer.

1.4 DÉBALLAGE ET VÉRIFICATION DE L'APPAREIL

Retirez soigneusement l'appareil de la boîte. Avant d'installer l'appareil, assurez-vous qu'il fonctionne bien en branchant le cordon d'alimentation dans une prise de courant mise à la terre de 120 V, 15 Amps.

1.5 PIÈCES FOURNIES

DESCRIPTION	ILLUSTRATION	QTY
APPAREIL		X1
TÉLÉCOMMANDE ET PILE CR2032		X1
VERRE CONCASSÉ		X1
CONNECTEUR MURAL		X5
VIS		X5
CORDON DE COUVRE		X2
PLAQUE DE RECOUVREMENT BOÎTE DE JONCTION		X1
COUPLING		X1
PLAT DU COUDE		X1

FR

2.0 EMPLACEMENT DE L'APPAREIL

! AVERTISSEMENT
EN RAISON DES TEMPÉRATURES ÉLEVÉES, L'APPAREIL DEVRAIT ÊTRE PLACÉ LOIN DES ENDROITS PASSANTS. GARDEZ TOUS LES ARTICLES COMBUSTIBLES TELS QUE LES MEUBLES, LES OREILLERS, LA LITERIE, LE PAPIER, LES VÊTEMENTS ET LES RIDEAUX À UNE DISTANCE D'AU MOINS 3 PIEDS (0,9 MÈTRE) DE LA FAÇADE DE L'APPAREIL.
NE PLACEZ JAMAIS L'APPAREIL ÉLECTRIQUE À UN ENDROIT OÙ IL RISQUE DE TOMBER DANS UNE BAIGNOIRE OU TOUT AUTRE RÉSERVOIR CONTENANT DE L'EAU.
PORTEZ DES GANTS DE PROTECTION ET DES LUNETTES DE SÉCURITÉ LORS DE L'INSTALLATION ET DE L'ENTRETIEN.
AFIN D'ÉVITER TOUT CONTACT AVEC DE L'ISOLANT QUI S'AFFAÎSSE, L'APPAREIL ÉLECTRIQUE NE DOIT PAS ÊTRE INSTALLÉ CONTRE UN COUPE-VAPEUR OU DE L'ISOLANT À DÉCOUVERT. UNE SURCHAUFFE LOCALISÉE PEUT SURVENIR ET UN INCENDIE POURRAIT S'ENSUIVRE.
L'APPAREIL ÉLECTRIQUE NE DOIT PAS ÊTRE EXPOSÉ AUX CONDITIONS EXTÉRIEURES (PAR EX. LA PLUIE).

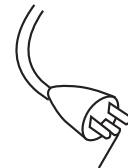
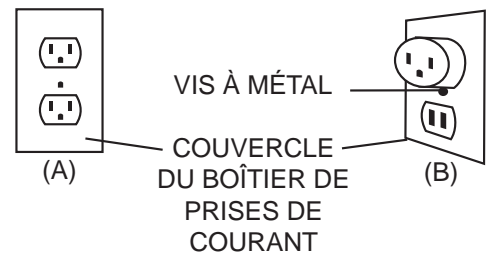
FR

2.1 MISE À LA TERRE DE L'APPAREIL

Cet appareil doit être branché sur un circuit de 120 volts. Son cordon d'alimentation est équipé d'une fiche comme illustré en (A) ci-contre. Un adaptateur, tel qu'illustré en (C), est disponible pour brancher des fiches à trois branches avec mise à la terre dans des prises à deux fentes. La patte verte de mise à la terre de l'adaptateur doit être branchée dans une prise de courant mise à la terre de façon permanente telle qu'un boîtier de prises de courant mis à la terre. L'adaptateur ne doit pas être utilisé si une prise de courant mise à la terre à trois fentes est disponible.

Pour débrancher l'appareil, mettez les boutons de contrôle à « OFF » puis retirez la fiche de la prise de courant.

MÉTHODES DE MISE À LA TERRE



BROCHE DE MISE À LA TERRE



INTERDIT AU CANADA

96.1

3.0 INSTALLATION

FR

! AVERTISSEMENT

RISQUE D'INCENDIE! LE CORDON D'ALIMENTATION NE DOIT PAS ÊTRE COINCÉ CONTRE UNE ARÊTE VIVE. FIXEZ LE CORDON POUR ÉVITER LES CHUTES OU LES ACCROCHAGES AFIN DE RÉDUIRE LE RISQUE D'INCENDIE, DE CHOC ÉLECTRIQUE OU DE BLESSURES CORPORELLES. NE PASSEZ PAS LE CORDON D'ALIMENTATION SOUS UN TAPIS. NE RECOUVREZ PAS LE CORDON AVEC DES CARPETTES, DES TAPIS DE COULOIR OU AUTRES REVÊTEMENTS SIMILAIRES. ÉVITEZ DE PLACER LE CORDON DANS UN ENDROIT PASSANT OU À UN ENDROIT OÙ IL RISQUE DE CAUSER DES CHUTES.

RISQUE D'INCENDIE! POUR PRÉVENIR LES RISQUES D'INCENDIE, NE BLOQUEZ PAS LES ENTRÉES D'AIR ET LES SORTIES D'AIR DE QUELQUE MANIÈRE QUE CE SOIT. NE PLACEZ PAS CET APPAREIL SUR UNE SURFACE MOLLE OÙ LES OUVERTURES POURRAIENT SE BLOQUER.

RISQUE D'INCENDIE! NE SOUFFLEZ PAS OU NE PLACEZ PAS D'ISOLANT CONTRE L'APPAREIL.

CET APPAREIL ÉLECTRIQUE A ÉTÉ TESTÉ ET HOMOLOGUÉ POUR USAGE AVEC LES ACCESSOIRES OPTIONNELS LISTÉS DANS CE MANUEL UNIQUEMENT. L'UTILISATION D'ACCESSOIRES OPTIONNELS QUI N'ONT PAS ÉTÉ SPÉCIFIQUEMENT TESTÉS POUR CET APPAREIL ÉLECTRIQUE ANNULERA LA GARANTIE DE L'APPAREIL ET/OU PRÉSENTERA DES RISQUES POUR LA SÉCURITÉ.

SI CES INSTRUCTIONS NE SONT PAS SUIVIES À LA LETTRE, UN INCENDIE OU UNE EXPLOSION POURRAIENT S'ENSUIVRE, CAUSANT DES DOMMAGES MATÉRIELS, DES BLESSURES CORPORELLES OU DES PERTES DE VIE. N'ENTREPOSEZ PAS ET N'UTILISEZ PAS D'ESSENCE OU AUTRES VAPEURS INFLAMMABLES À PROXIMITÉ DE CET APPAREIL OU TOUT AUTRE APPAREIL.

ÉTANT DONNÉ LA LOURDEUR DE CET APPAREIL, IL EST RECOMMANDÉ QUE DEUX PERSONNES EN FASSENT L'INSTALLATION.

LES ENTRÉES D'AIR ET LES SORTIES D'AIR NE DOIVENT PAS ÊTRE COUVERTES EN AUCUN CAS AFIN DE RÉDUIRE LE RISQUE D'INCENDIE.

68.5
 Votre appareil NEFV38H est fixé au mur. Choisir un emplacement convenable qui n'est pas susceptible à l'humidité et est loin des tentures, les meubles et les hauts secteurs de circulation. **NOTE: Suivre tous les codes électrique national et locaux.**

3.1 DÉGAGEMENTS MINIMAUX AUX MATÉRIAUX COMBUSTIBLES

Les mesures sont prises à partir de la façade vitrée.			
Dessous	20" (500mm)	Haut	5" (127mm) au tablette
Côtés	6" (152mm)	Haut	5" (127mm) au plafond
Arrière	0"		

NOTE: Le panneau du contrôle est situé à côté gauche de l'appareil. Garantie toujours que l'accès à cette le panneau de contrôle est disponible.

NOTE: Mesurée à partir de l'arrière de l'appareil, les 2 premiers 1/2 "(63mm) du corps de l'appareil peut être encastré dans un mur combustible avec 0" (0mm) jeu.

3.2 INSTALLATION DE L'APPAREIL - FIXATION MURALE

- A. Choisissez un endroit non sujet à l'humidité et situé à au moins 36" (914mm) des articles combustibles, tels que les rideaux, meubles, literie, papier, etc.
- B. Avant d'installer l'appareil, enlevez le vitre avant. Enlevez l'inférieur le 2 vis sur l'appareil. Tirez sur le bas de la façade en verre loin de l'appareil et soulevez pour dégager le haut. Enlevez et placez la vitre, face vers le bas, sur une surface douce, voir Figure 2.
- C. Demandez à deux personnes d'appuyer et de maintenir l'appareil contre le mur pour en déterminer l'emplacement définitif.
- D. Marquer la position pour 5 emplacements de trou voir Figure 1.
- E. L'aide d'un mèche de 6 mm, percer les 5 trous marqué sur le mur et en s'adapter aux les branchez fournies.
- F. Soulever l'appareil sur le mur, alignez avec les 5 trous pré-percés. Fixez l'appareil sur la mural, voir Figure 3.
- G. Soigneusement placer les braise de cristaux dans le fond du plateau à la face de l'appareil, voir Figure 4.
- H. Installez les vitre avant sur l'appareil et fixez avec les deux vis à partir l'étape B.
- I. Vérifiez la stabilité de l'appareil en vous assurant que l'appareil est bien ancré dans le mur et que l'appareil ne tombera pas.

FIG. 1

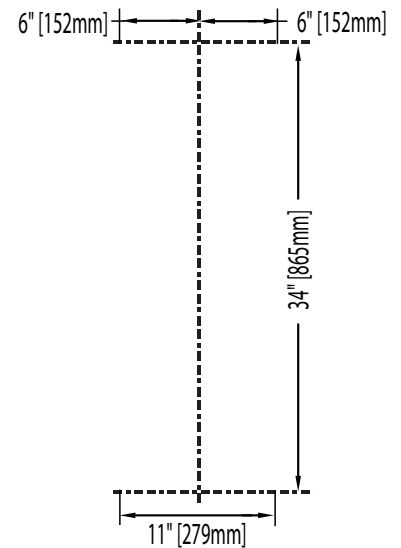


FIG. 2

VUE DE CÔTÉ

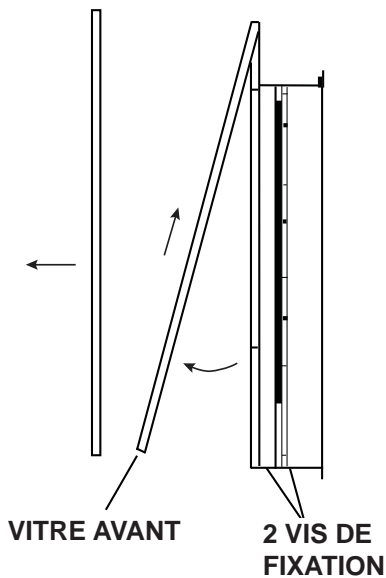


FIG. 3

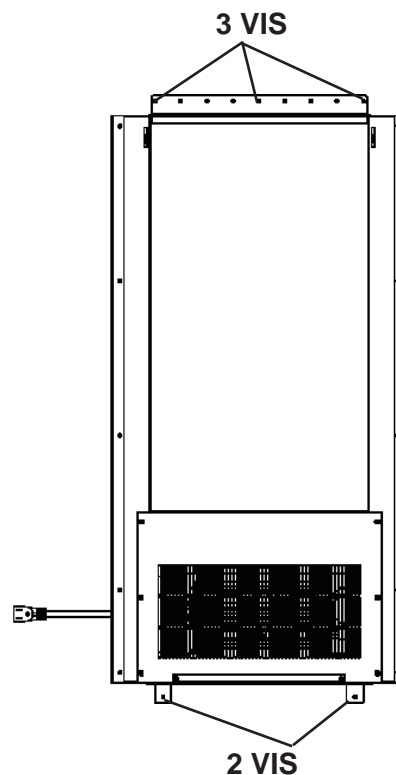


FIG. 4



3.4 INSTALLATION ENCASTRÉ

L'appareil peut être encastré dans le mur par 2 1/2" (63mm).

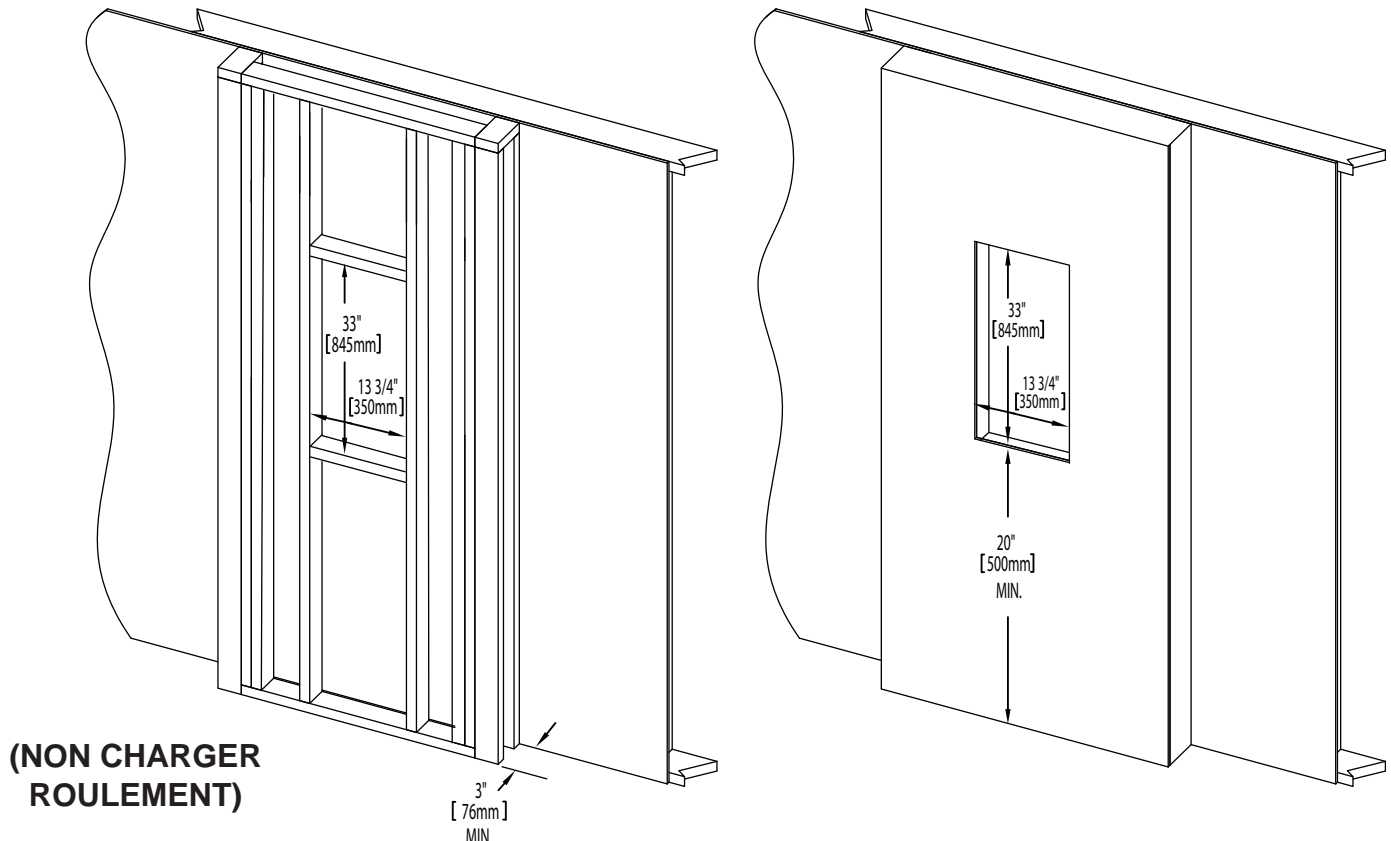
Choisissez un endroit non sujet à l'humidité et situé à au moins 36 pouces (914mm) des articles combustibles, tels que les rideaux, meubles, literie, papier, etc.

3.4.1 DÉGAGEMENT MINIMUM AUX COMBUSTIBLES

Les mesures sont prises du corps	
Côtés, l'arrière et le sommet	0"

3.4.2 OSSATURE - ENCASTRÉ

Matériel Finis

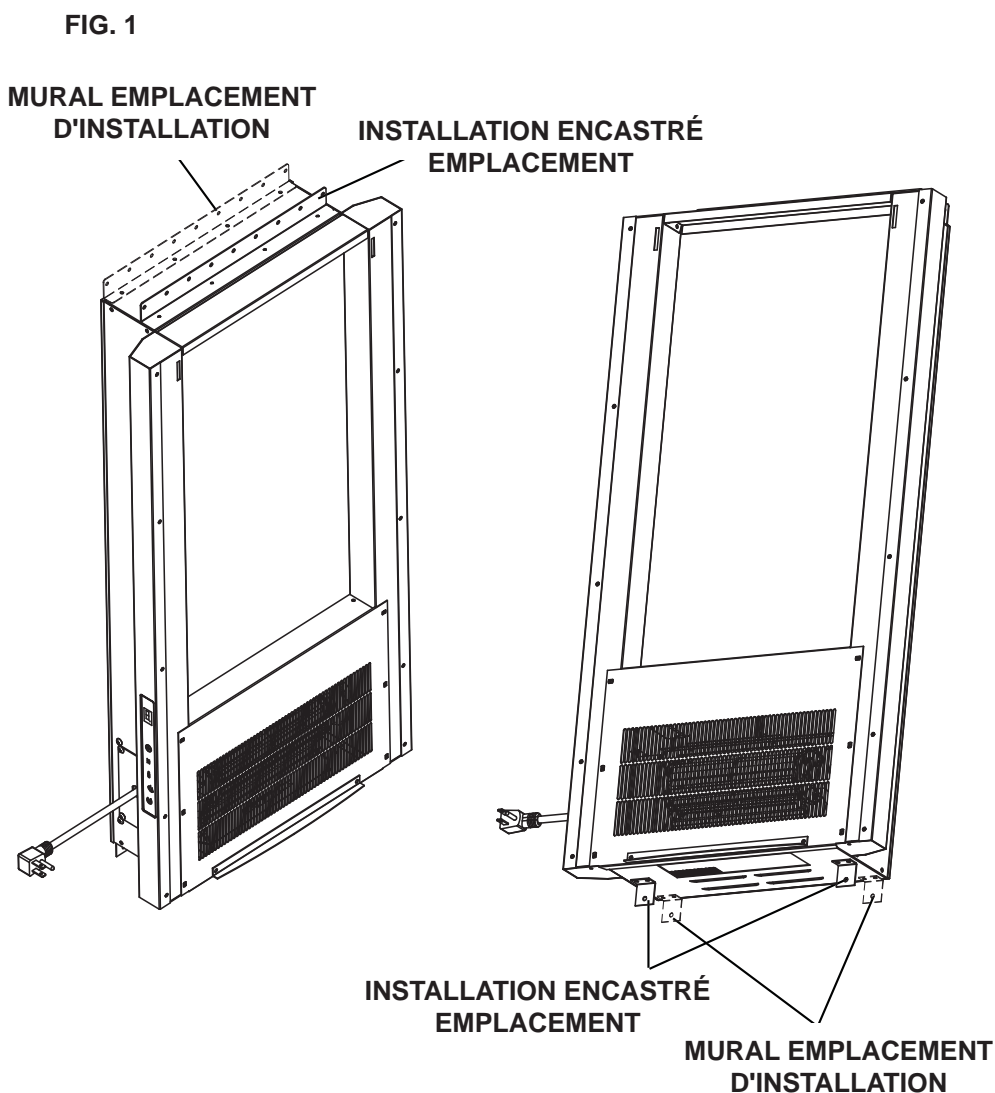


- A. Une fois l'ouverture a été préparée, et l'électricité a été dirigé au côté gauche, l'appareil pourrait être installé.
- B. Avec l'avant vitre enlevée, fixez le supérieure et inférieure supports au l'installation encastré emplacement voir la section de "INSTALLATION DU SUPPORT DE FIXATION".
- C. Soulever l'appareil jusqu'à l'ouverture, maintenir une 1/2" (13mm) dégagement au côté de gauche.
- D. La connexion électrique doit être faite avant de glisser l'appareil à sa place, voir la section de "BRANCHEMENT PAR CABLE".
- E. Soigneusement placer les braise de cristaux dans le fond du plateau à la face de l'appareil.
- F. Fixez les porte vitrée, voir la section de "L'ENLÈVEMENT DU PORTE VITRÉE".

*** NOTE:** Pour éviter la possibilité d'isolation exposée ou la barrière de vapeur qui entre en contact avec le corps de l'appareil, Il est recommandé que les murs de la clôture de l'appareil aient « fini » (c.-à-d. cloison sèche/sheetrock) comme vous finiriez des autres mur extérieur d'une maison. Ceci garantira que le dégagement aux combustibles est maintenu dans la cavité. Les dimensions d'encadrement auront être ajusté pour représenter l'épaisseur du matérielle fini.

3.4.3 INSTALLATION DU SUPPORT DE FIXATION

- A. Enlever le verre du devant de l'appareil, se référer à la section «INSTALLATION DE LA FAÇADE VITRÉE ».
- B. Enlever le médias de verre de l'appareil, avant d'installer les support de fixation.
- C. Enlevez les 4 vis des supports supérieur et inférieur, voir le Figure 1.
- D. remplacer le supérieure et inférieur supports de sorte que le support supérieur est sur l'inférieur et inversement. Fixez les support sur l'appareil, voir le Figure 1.
- E. Nivelier l'appareil et fixé avec les supports au mur utiliser les 4 vis fourni.



! AVERTISSEMENT

COUPEZ L'ALIMENTATION ÉLECTRIQUE À L'APPAREIL ET LAISSEZ-LE REFROIDIR AVANT D'EFFECTUER UN ENTRETIEN. SEUL UN TECHNICIEN DE SERVICE QUALIFIÉ PEUT EFFECTUER L'ENTRETIEN OU LA RÉPARATION DE CET APPAREIL ÉLECTRIQUE.

Si c'est nécessaire de faire un branchement par câble, un électricien qualifié peut retirer le cordon d'alimentation de l'appareil et brancher ce dernier directement au câblage de la maison.

Si vous effectuez un branchement par câble, cet appareil doit être raccordé électriquement et mis à la terre conformément aux codes locaux. En l'absence de tels codes, utilisez la version courante du Code canadien de l'électricité CSA C22.1 au Canada ou du National Electrical Code ANSI/NFPA 70 aux États-Unis.

Fig. 1

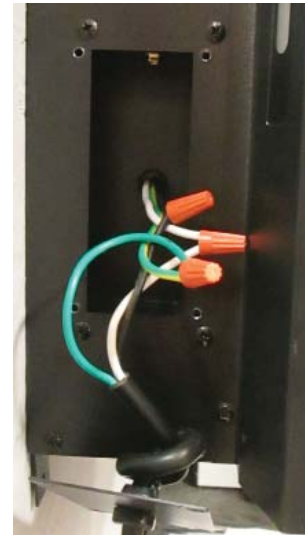
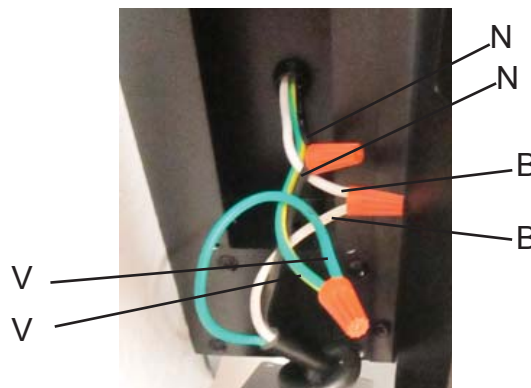


Fig. 2

- A. Retirez la plaque de recouvrement située sur le côté gauche de l'appareil par retirez les quatre vis comme illustrée.
- B. Enlevez les marrettes et le serre-câble du cordon d'alimentation. Vous pouvez jeter le cordon d'alimentation.
- C. Utilisant le nouveau plaque de recouvrement fournie. Enlever le trou de 7/8" (22mm) et installez le connecteur de boîte aux boîte de jonction. Serrer le connecteur de boîte aux fils d'alimentation
- D. Utilisant les connecteurs de fils pour brancher les fils commun ensemble, les fils blanc (B), noirs (N), et le fil de terre vert (V), voir la Figure 3.
- E. Réinstaller la plaque de recouvrement utiliser les quatre vis, comme illustrée en étape A.

NOTE: Garentir qu'il y a assez de fil pour que l'appareil peut être enlevé de la clôture sans débrancher l'alimentation.

Fig. 3



4.0 FINITIONS

! AVERTISSEMENT

LE RACCORDEMENT PAR CÂBLE DOIT ÊTRE COMPLÉTÉ AVANT LA FINITION AFIN D'ÉVITER TOUTE RECONSTRUCTION.

LES ENTRÉES D'AIR ET LES SORTIES D'AIR DE L'APPAREIL NE DOIVENT JAMAIS ÊTRE COUVERTES.

4.2 L'ENLÈVEMENT DU PORTE VITRÉE

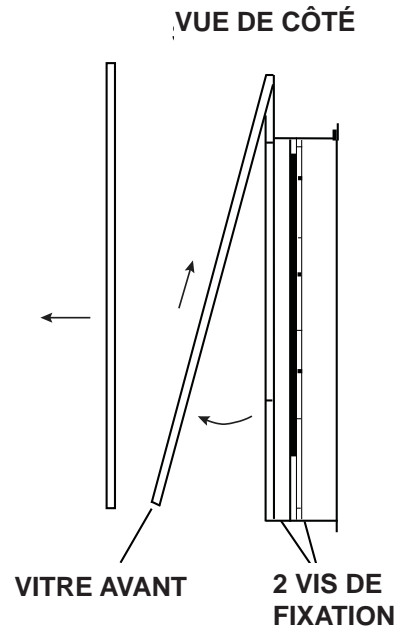
! AVERTISSEMENT

LES MATÉRIAUX DE FAÇADE ET DE FINITION NE DOIVENT PAS NUIRE À LA CIRCULATION DE L'AIR DANS LES OUVERTURES D'AIR ET LES PERSIENNES, NI AU FONCTIONNEMENT DES PERSIENNES OU DES PORTES. ILS NE DOIVENT PAS NON PLUS ENTRAVER L'ACCÈS POUR L'ENTRETIEN. RESPECTEZ TOUS LES DÉGAGEMENTS AUX MATÉRIAUX COMBUSTIBLES.

AVANT D'ENLEVER LA PORTE, ÉTEIGNEZ L'APPAREIL ET ATTENDEZ QUE CE DERNIER SOIT FROID AU TOUCHER. LES PORTES SONT LOURDES ET FRAGILES; MANIPULEZ AVEC SOIN.

75.1

- A. Avant d'installer l'appareil, enlevez le vitre avant. Enlevez l'inférieur le 2 vis sur l'appareil. Tirez sur le bas de la façade en verre loin de l'appareil et soulevez pour dégager le haut.
- B. Pencher le face du porte éloignant du l'appareil. Légèrement tirez sur la vitre pour libérer du la dessus de loquet.
- C. Enlevez et placez sur une surface douce, comme illustré.
- D. Refaire les étapes en sens inverse pour réinstaller les porte vitrée.



4.1 L'INSTALLATION DES BRAISE DE VERRE

Enlever le face de verre de l'appareil puis mont le dans son emplacement final avant d'installer les braise de verre.

- A. **NETTOYER LES MÉDIAS DE CRISTAL:** médias de cristal peut avoir du résidu fin de pétrole qui doivent être nettoyé avant l'installation. Nettoyer le cristal avec le liquide vaisselle doux, l'égout, rincer à fond et sécher avant de le placer aux plateau.
- B. Soigneusement placer les braise de cristaux dans le fond du plateau à la face de l'appareil comme illustré. Placer une autre couche de braise de cristal également de côté à côté



5.0 INSTRUCTIONS DE FONCTIONNEMENT

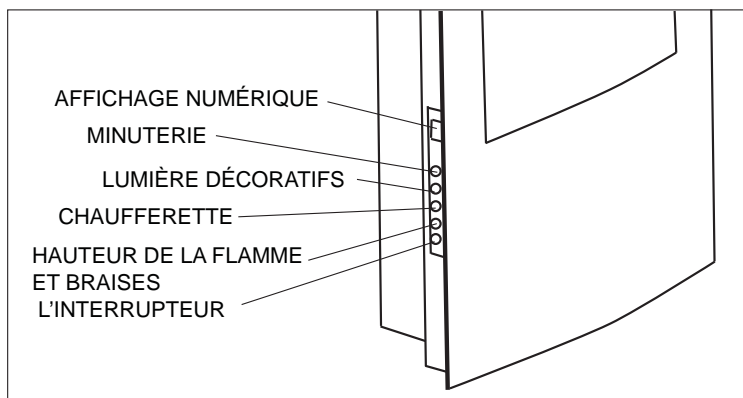
L'appareil est prêt à fonctionner dès qu'il est correctement branché dans une prise de courant mise à la terre.

NOTE : Assurez-vous que les disjoncteurs de la maison pour ce circuit soient allumés. À la source d'alimentation électrique doit être 120 Volts/ 60Hz, 15 Amps.

5.1 INTERRUPTEUR

Le panneau de contrôle est situé au côté gauche de l'appareil, comme illustré.









Le symbole «  » indique MARCHE / ARRÊT. Pour éteindre l'appareil et l'effet du flamme, placez l'interrupteur à la position «  ».



NOTE: Les fonctions du panneau de commande fonctionnent de la même que la télécommande.

Télécommande:



L'INTERRUPTEUR		Tournez l'appareil MARCHE / ARRÊT.																																				
HAUTEUR DE LA FLAMME ET LIT DE BRAISES		Contrôle la mise en marche et la fermeture du jeu de flammes ainsi que les couleurs du lit de braises qui défilent dans l'ordre suivant : - Orange / Bleu / Violet - Séquence automatique des 3 couleurs - Arrêt NOTE: Lorsque la chaufferette fonctionne, le jeu de flammes et les braises ne peuvent être fermés.																																				
CHAUFFERETTE VERROUILLER	 Maintenir 5 secondes	Le bouton de la chaufferette peut être verrouillé ou déverrouillé en le maintenant enfoncé pendant 5 secondes.																																				
CONTRÔLE CHAUFFERETTE		Tournez la chaufferette MARCHE / ARRÊT.																																				
CAPTEUR DE TEMPÉRATURE	 Maintenir 5 secondes	Ajustez la chaufferette à la température de votre choix. Maintenez le bouton enfoncé pendant 5 secondes jusqu'à ce que l'affichage clignote. Défilez à travers les valeurs et sélectionnez la température que vous désirez. <table border="1" data-bbox="760 1583 1286 1692"> <thead> <tr> <th>Valeur</th> <th>0</th> <th>1</th> <th>2</th> <th>3</th> <th>4</th> <th>5</th> <th>6</th> <th>7</th> <th>8</th> <th>9</th> <th>N</th> </tr> </thead> <tbody> <tr> <td>Temperature °C</td> <td>18</td> <td>19</td> <td>20</td> <td>21</td> <td>22</td> <td>23</td> <td>24</td> <td>25</td> <td>26</td> <td>27</td> <td>ON</td> </tr> <tr> <td>Temperature °F</td> <td>64</td> <td>66</td> <td>68</td> <td>70</td> <td>72</td> <td>74</td> <td>76</td> <td>78</td> <td>80</td> <td>82</td> <td>ON</td> </tr> </tbody> </table>	Valeur	0	1	2	3	4	5	6	7	8	9	N	Temperature °C	18	19	20	21	22	23	24	25	26	27	ON	Temperature °F	64	66	68	70	72	74	76	78	80	82	ON
Valeur	0	1	2	3	4	5	6	7	8	9	N																											
Temperature °C	18	19	20	21	22	23	24	25	26	27	ON																											
Temperature °F	64	66	68	70	72	74	76	78	80	82	ON																											
LUMIÈRE DÉCORATIFS		Lumières décoratives qui défilent automatiquement dans l'ordre suivant : - Orange / Bleu / Violet - Séquence automatique des 3 couleurs - Arrêt																																				
MINUTERIE		La minuterie peut être programmée pour contrôler l'appareil / chaufferette pour une durée spécifique (1 h minimum à 9 h maximum).																																				
AFFICHAGE NUMÉRIQUE		Affichage numérique des fonctions de l'appareil.																																				

6.0 ENTRETIEN

6.1 CARTE DE CIRCUIT IMPRIMÉ

! AVERTISSEMENT

PRÉPARATION POUR L'ENTRETIEN

DÉBRANCHEZ TOUJOURS L'ALIMENTATION ÉLECTRIQUE ET LAISSEZ L'APPAREIL REFROIDIR AVANT DE LE NETTOYER, DE PROCÉDER À SON ENTRETIEN OU DE LE RELOCALISER. TOURNEZ LES CONTRÔLES À « OFF » ET RETIREZ LA FICHE DE LA PRISE DE COURANT OU FERMEZ LE DISJONCTEUR DU CIRCUIT DE VOTRE APPAREIL.

Pour remplacer la carte de circuit imprimé enlever la porte vitrée voir la section « L'ENLÈVEMENT DU PORTE VITRÉE ».

- A. Enlever le verre concassé de l'appareil.
- B. Enlever la panneau du plastique avant d'avoir accéder aux carte de circuit.
- D. Enlever la 4 vis du la carte de circuit pour gagner l'accès au carte de circuit, remplacer le carte de circuit en existence avec le nouveau carte de circuit.

6.2 INSTALLATION DE LA PILE DE LA TÉLÉCOMMANDE

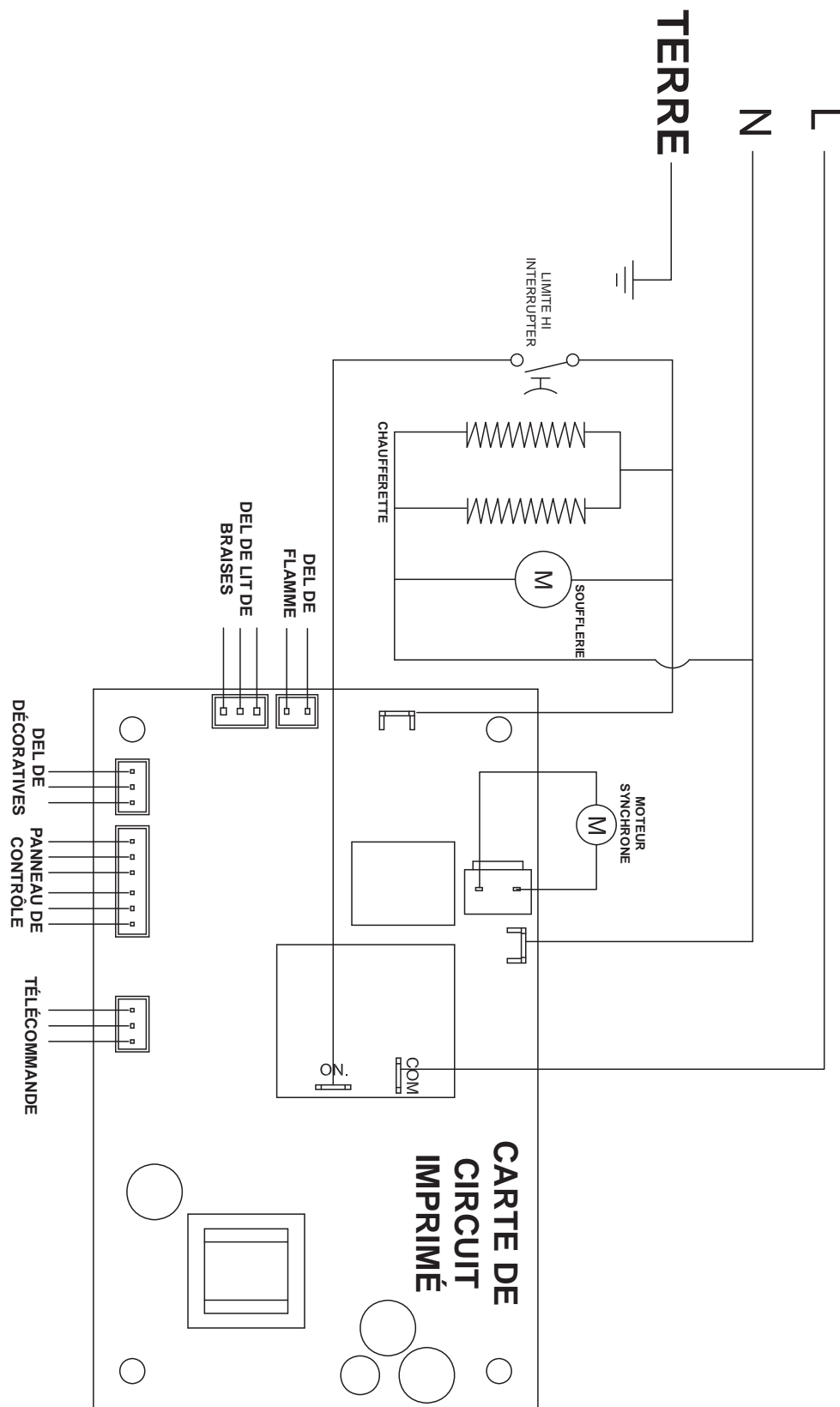
1. Tournez à télécommande avec le côté arrière vers le haut. Glissez le couvercle des piles de la télécommande.
2. Insérez une pile de type CR2032 dans le support puis réinsérez ce dernier dans la télécommande, comme illustré. **NOTE: Pour faciliter l'installation, maintenez enfoncé le pile tout en glisser le couvercle sur la télécommande**
3. Le couvercle de la pile est bien fixé lorsque vous entendez un « clic ».



7.0 SCHÉMA DE CÂBLAGE

! AVERTISSEMENT

COUPEZ L'ALIMENTATION ÉLECTRIQUE À L'APPAREIL ET LAISSEZ-LE REFROIDIR AVANT D'EFFECTUER UN ENTRETIEN. SEUL UN TECHNICIEN DE SERVICE QUALIFIÉ PEUT EFFECTUER L'ENTRETIEN OU LA RÉPARATION DE CET APPAREIL ÉLECTRIQUE.



8.0 RECHANGES

Contactez votre détaillant ou le fabricant pour les questions concernant les prix et la disponibilité des pièces de rechange. Normalement, toutes les pièces peuvent être commandées chez votre détaillant autorisé.

POUR UN REMPLACEMENT DE PIÈCE SOUS GARANTIE, UNE PHOTOCOPIE DE LA FACTURE ORIGINALE SERA REQUISE AFIN DE POUVOIR HONORER LA DEMANDE.

Lorsque vous commandez des pièces, donnez toujours l'information suivante :

- Modèle et numéro de série de l'appareil
- Date d'installation de l'appareil
- Numéro de la pièce
- Description de la pièce
- Fini

*** IDENTIFIE LES ARTICLES QUI NE SONT PAS ILLUSTRÉS. POUR PLUS D'INFORMATION, CONTACTEZ VOTRE DÉTAILLANT AUTORISÉ.**

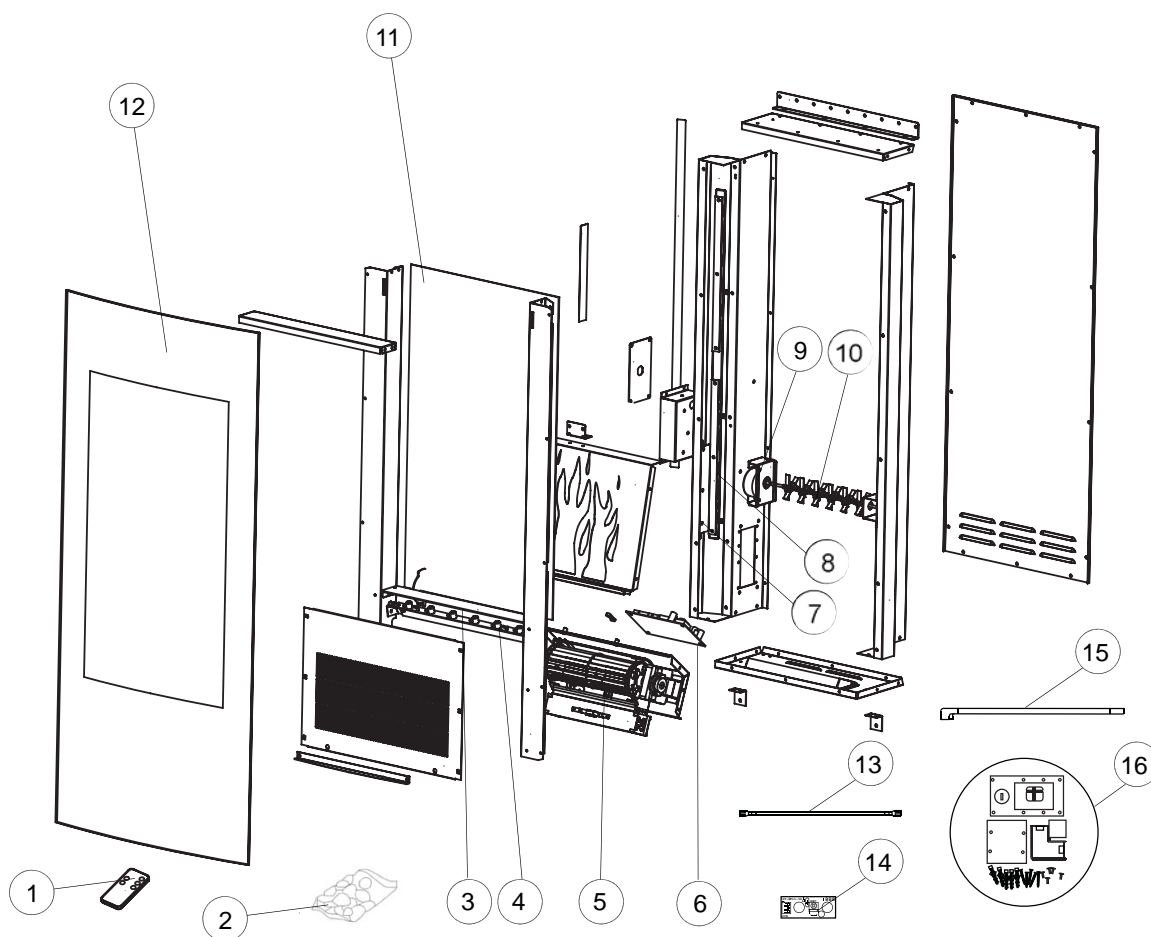
AVERTISSEMENT

OMETTRE DE POSITIONNER LES PIÈCES CONFORMÉMENT AU MANUEL OU D'UTILISER UNIQUEMENT DES PIÈCES SPÉCIFIQUEMENT APPROUVÉES POUR CET APPAREIL PEUT CAUSER DES DOMMAGES MATÉRIELS OU DES BLESSURES CORPORELLES.

FR

41.1

Pour le service après-vente, veuillez composer le 1-866-820-8686



CES ARTICLES PEUT DIFFÉRER DE CELLE ILLUSTRÉ

REF. #	PART #	DESCRIPTION
1	W190-0074	TÉLÉCOMMANDE MANUELLE
2	W135-0587	BÛCHES & VERRE CONCASSÉ (PLASTIQUE)
3	W405-0020	DEL DU FLAMME
4	W405-0021	DEL DU BÛCHES
5	W062-0060	SOUFFLERIE AVEC CHAUFFERETTE
6	W190-0076	CARTE DE CIRCUIT IMPRIMÉ PRINCIPALE
7	W190-0075	PANNEAU DE CONTRÔLE
8	W405-0022	DEL DU DÉCORATIVES
9	W435-0073	MOTEUR SYNCHRONE
10	W010-3391	REFLECTOR SPINDLE
11	W475-0988	PANNEAU PP
12	W300-0197	VITRE AVANT
13	W750-0341	HARNAIS DE FILS
14	W190-0078	TÉLÉCOMMANDE
15	W200-0508	COUVERCLE DE CORDON
16	W020-0886	PIÈCES DU MATÉRIEL

9.0 GUIDE DE DÉPANNAGE

! AVERTISSEMENT

COUPEZ L'ALIMENTATION ÉLECTRIQUE À L'APPAREIL ET LAISSEZ-LE REFROIDIR AVANT D'EFFECTUER UN ENTRETIEN. SEUL UN TECHNICIEN DE SERVICE QUALIFIÉ PEUT EFFECTUER L'ENTRETIEN OU LA RÉPARATION DE CET APPAREIL.

SYMPTÔME	PROBLÈME	SOLUTIONS
La luminosité du jeu de flammes est faible ou inexistante	Cylindre DEL sont brûlées	Vérifiez les DEL à l'intérieur du cylindre de création du jeu de flammes (W010-2918) et remplacez-les au besoin
Le lit de braises ne s'illumine pas ou ne diminue pas en luminosité	Braise DEL sont brûlées	Vérifiez que les braises DEL et remplacez-les au besoin
	L'appareil de chauffage est brûlé	Inspecter l'appareil de chauffage et l'assembler (W062-0047) et remplacez-les au besoin
L'appareil n'émet aucune chaleur	La température ambiante est plus élevée que le réglage de l'appareil (si réglée au température du chambre)	Réglez l'appareil à une température plus élevée (MOYEN ou ÉLEVÉ)
L'appareil s'éteint et ne se rallume pas	L'appareil a surchauffé et le dispositif de sécurité a entraîné le déclenchement de l'interrupteur thermique	Débranchez le cordon d'alimentation et laissez l'appareil refroidir pendant 15 minutes, puis branchez le cordon d'alimentation et mettez l'appareil sous tension.
	Le disjoncteur de la maison s'est déclenché	Réinitialisez le disjoncteur
	Le fusible de l'appareil a sauté	Remplacez le fusible
L'appareil ne s'allume pas lorsque l'interrupteur est mis à « ON »	L'appareil n'est pas branché dans une prise de courant	Vérifiez la fiche puis rebranchez-la
	L'appareil a surchauffé et le dispositif de sécurité a entraîné le déclenchement de l'interrupteur thermique	Débranchez le cordon d'alimentation et laissez l'appareil refroidir pendant 15 minutes, puis branchez le cordon d'alimentation et mettez l'appareil sous tension.
	La carte de circuit est brûlé	Inspecter la carte de circuit (W190-0064) et remplacez-les au besoin
La télécommande ne fonctionne pas	Les piles sont faibles	Remplacez les piles AA de la télécommande
La chaufferette s'éteint automatiquement	La température ambiante est trop élevée	L'appareil est équipé d'un thermostat intégré et s'éteindra automatiquement lorsque la température programmée sera atteinte. Il s'allumera automatiquement lorsque la température de la pièce descendra en dessous de la température programmée. La température programmée dépend des réglages sélectionnés pour la chaufferette

FR

10.0 GARANTIE

Les foyers électriques NAPOLÉON® sont fabriqués conformément aux normes strictes du Certificat d'assurance de qualité mondialement reconnu ISO 9001 : 2008.

Les produits NAPOLÉON® sont conçus avec des composants et des matériaux de qualité supérieure, assemblés par des artisans qualifiés qui sont fiers de leur travail. Une fois assemblé, chaque foyer est soigneusement inspecté par un technicien qualifié avant d'être emballé pour garantir que vous, le client, recevez le produit de qualité dont vous vous attendez de NAPOLÉON®.

GARANTIE LIMITÉE DES APPAREILS ÉLECTRIQUES NAPOLÉON®

Les composants électriques et les pièces soumises à l'usure tels que la soufflerie/chaufferette, les moteurs, les interrupteurs, les roulements à billes en nylon et les télécommandes sont couverts et NAPOLÉON® fournira gratuitement les pièces de rechange durant la première année de la garantie limitée.

Les ampoules et les fusibles NE SONT PAS couverts par la garantie.

Les coûts de main-d'oeuvre relatifs aux réparations garanties ne sont pas couverts.

*La fabrication de chaque modèle varie. La garantie s'applique uniquement aux composants disponibles avec votre appareil.

CONDITIONS ET LIMITATIONS

NAPOLÉON® garantit ses produits contre les défauts de fabrication à l'acheteur d'origine seulement. L'enregistrement de la garantie n'est pas nécessaire. Fournissez simplement une preuve d'achat ainsi que le modèle et le numéro de série afin d'effectuer une réclamation de garantie. Napoléon® se réserve le droit de demander à son représentant d'inspecter tous produits ou pièces avant d'honorer toute réclamation. L'achat doit avoir été fait par l'entremise d'un détaillant NAPOLÉON® autorisé et sous réserve des conditions et limitations suivantes :

La couverture de la garantie débute à partir de la date d'installation originale.

Cette garantie du fabricant n'est pas transférable et ne peut être prolongée ou étendue par aucun de nos représentants quelle qu'en soit la raison.

L'installation doit être faite conformément aux instructions d'installation incluses avec le produit et à tous les codes d'incendie et de construction locaux et nationaux.

Cette garantie limitée ne couvre pas les dommages causés par un mauvais usage, un manque d'entretien, un accident, des altérations, des abus ou de la négligence, et l'installation de pièces d'autres fabricants annulera cette garantie.

Cette garantie limitée ne couvre pas non plus les égratignures, les bossellements, la corrosion ou la décoloration causée par une chaleur excessive, des produits d'entretien chimiques et abrasifs ou l'écaillage de pièces en porcelaine émaillée, le bris par manipulation des bûches Phazer®.

Au cours de la première année seulement, cette garantie s'étend à la réparation ou au remplacement des pièces garanties dont les matériaux ou la fabrication sont défectueux à la condition que le produit ait été utilisé conformément aux instructions de fonctionnement et dans des conditions normales.

NAPOLÉON® ne sera pas responsable de l'installation, de la main-d'oeuvre ou autres coûts ou dépenses relatives à la réinstallation d'une pièce garantie, et de telles dépenses ne sont pas couvertes par cette garantie. Nonobstant toutes les dispositions contenues dans cette Garantie Limitée, la responsabilité de NAPOLÉON® sous cette garantie est définie comme ci-dessus et elle ne s'étendra à aucun dommage accidentel, consécutif ou indirect.

Cette garantie définit l'obligation et la responsabilité de NAPOLÉON® en ce qui concerne l'appareil électrique NAPOLÉON®. Toute autre garantie énoncée ou implicite en ce qui concerne ce produit, ses composants ou accessoires est exclue.

NAPOLÉON® n'endosse, ni n'autorise aucun tiers à assumer en son nom, toutes autres responsabilités concernant la vente de ce produit.

Tous dommages causés à l'appareil, aux garnitures en laiton ou autres composants par l'eau, les dommages causés par les intempéries, de longues périodes d'humidité, la condensation, des produits chimiques ou produits d'entretien nuisibles ne seront pas la responsabilité de NAPOLÉON®.

La facture ou sa copie sera requise ainsi que le numéro de série et le numéro de modèle lors d'une réclamation auprès de votre détaillant autorisé. La carte d'enregistrement de garantie doit être retournée dans les quatorze jours pour enregistrer la garantie.

NAPOLÉON® se réserve le droit de demander à son représentant d'inspecter tout produit ou pièce avant d'honorer toute réclamation.

Toutes les pièces remplacées en vertu de la politique de Garantie limitée ne peuvent faire l'objet que d'une seule réclamation.

Toutes les pièces remplacées au titre de la garantie seront couvertes pour une période de 90 jours à partir de leur date d'installation.

Le fabricant peut exiger que les pièces défectueuses ou les produits soient retournés ou que des photos numériques soient fournies pour valider la réclamation. Les produits retournés doivent être expédiés port payé au fabricant pour une inspection en usine. Si un produit est déclaré défectueux, le fabricant le réparera ou le remplacera.

Avant d'expédier votre appareil ou les pièces défectueuses, votre détaillant doit obtenir un numéro d'autorisation. Toute marchandise expédiée à notre usine sans autorisation sera refusée et retournée à l'expéditeur.

Les coûts d'expédition ne sont pas couverts par cette garantie.

Des frais de service supplémentaires peuvent être appliqués si vous cherchez à obtenir des services au titre de la garantie auprès d'un détaillant.

TOUTES LES SPÉCIFICATIONS ET LES CONCEPTIONS SONT SUJETTES À MODIFICATIONS SANS PRÉAVIS EN RAISON DES AMÉLIORATIONS CONSTANTES APPORTÉES AUX PRODUITS. NAPOLÉON® EST UNE MARQUE DE COMMERCE DÉPOSÉE DE WOLF STEEL LTÉE.

2.5B

Autres produits Napoléon



Foyers encastrés • Grils au charbon de bois • Foyers au gaz • Cascades d'eau
Poêles à bois • Produits HVAC • Foyers électriques • Foyers extérieurs • Grils à gaz de qualité



7200, Route Transcanadienne, Montréal, Québec H4T 1A3
24 Napoleon Road, Barrie, Ontario, Canada L4M 0G8
214 Bayview Drive, Barrie, Ontario, Canada L4N 4Y8
103 Miller Drive, Crittenden, Kentucky, USA 41030

Foyers / Chauffage et Climatisation / Grils composez : 514-737-6294
napoleonproducts.com