



TOP OF TEMPLATE

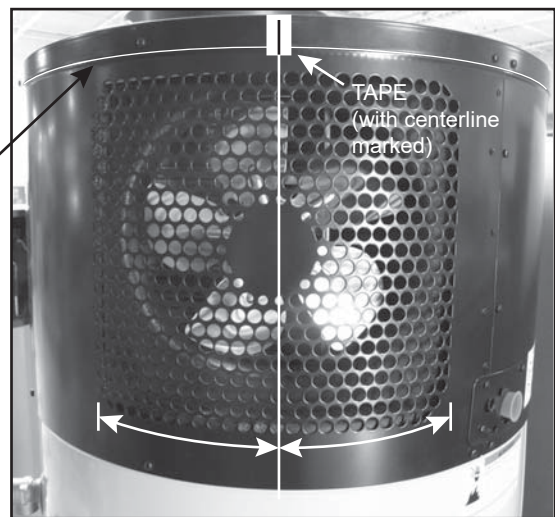
50 GALLON UNITS ONLY

↑ ALIGN WITH LIP ON TOP OF UNIT

↑ ALIGN WITH LIP ON TOP OF UNIT

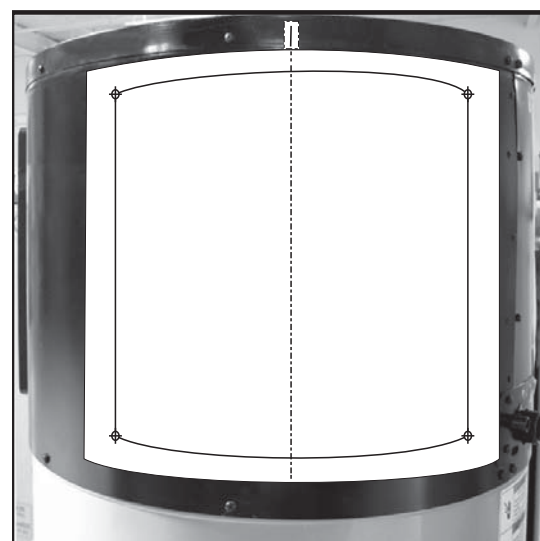
OUTLET VENT TEMPLATE INSTRUCTIONS:

- 1 Be sure the electrical power to the water heater is turned OFF at the circuit breaker panel (or remove the disconnects).
- 2 Using a non-contact circuit tester, check the wiring to make certain the power is OFF.
- 3 Locate the vertical center point of the fan outlet. Place a piece of tape at the "center" location and mark the tape with a pen or marker.



Align top line of template here.

- 4 Align the centerline of the template with the "taped" centerline and the top of the template sheet with the lip edge of the jacket top. NOTICE: For proper operation the template must be aligned with the center of the outlet vent. Use your finger tips to locate the outside edges of the vent outlets. The vent outlets should not be outside the template borders.



- 5 Use a drill and #2 Phillips screwdriver bit to set the self tapping screws provided with the kit. NOTICE: DO NOT OVER TIGHTEN THE SCREWS.
- 6 Use the drill and #2 Phillips screwdriver bit to remove the screws. Set them aside for reuse.
- 7 Remove the paper template and place the duct adapter over the vent. Align the holes in the adapter with the recently drilled holes in the unit.
- 8 Use a drill and #2 Phillips screwdriver bit to secure the duct adapter to the water heater using provided screws and washers (place washers on the hole of the adapter, then the screw). Align the screws to use the drilled holes. NOTICE: DO NOT OVER TIGHTEN THE SCREWS.
- 9 Visually check the duct adapter to make sure it is mounted in the correct location and correctly aligned. No vents should be visible along the edges of the duct adapter.
- 10 Secure the insulated flexible ducting to the duct adapter with the cable tie.
 - NOTICE: DO NOT use with metal or rigid ducting.
 - For total (inlet and outlet) ducting lengths longer than 50' a duct booster fan kit must be installed. See part number 100131328.
- 11 If all ducting installation is complete, turn on electric power to the water heater at the circuit breaker panel (or replace the disconnects).
- 12 Follow the instructions in your Use & Care Guide to start up your water heater. Ensure the water heater is set to your desired settings and all adapter connections are secure. NOTICE: Ensure ducting vents are open during unit operation.

11" TEMPLATE BORDER - NO VENT OUTLETS BEYOND THIS LINE

TEMPLATE BORDER - NO VENT OUTLETS BEYOND THIS LINE

TEMPLATE BORDER - NO VENT OUTLETS BEYOND THIS LINE

TEMPLATE BORDER - NO VENT OUTLETS BEYOND THIS LINE

← CENTER LINE: MATCH WITH CENTER LINE ON UNIT.

14"



TOP OF TEMPLATE

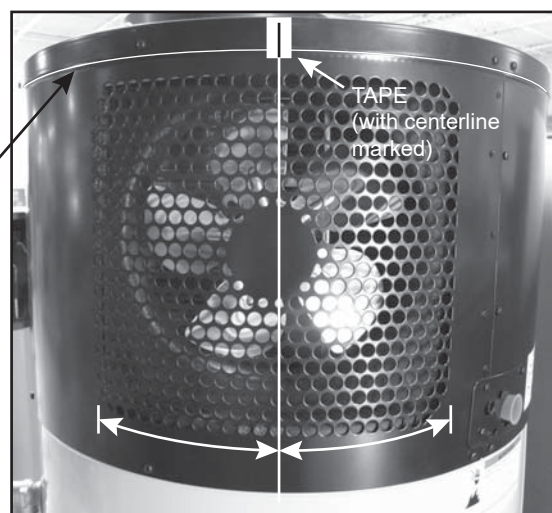
66/80 GALLON UNITS

ALIGN WITH LIP ON TOP OF UNIT

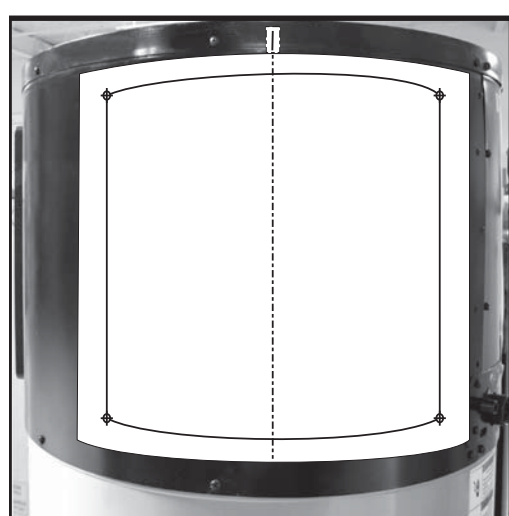
ALIGN WITH LIP ON TOP OF UNIT

OUTLET TEMPLATE INSTRUCTIONS:

- 1 Be sure the electrical power to the water heater is turned OFF at the circuit breaker panel (or remove the disconnects).
- 2 Using a non-contact circuit tester, check the wiring to make certain the power is OFF.
- 3 Locate the vertical center point of the fan outlet. Place a piece of tape at the "center" location and mark the tape with a pen or marker.



- 4 Align the centerline of the template with the "taped" centerline and the top of the template sheet with the lip edge of the jacket top. NOTICE: For proper operation the template must be aligned with the center of the outlet vent. Use your finger tips to locate the outside edges of the vent. The vent outlets should not be outside the template borders.



- 5 Use a drill and #2 Phillips screwdriver bit to set the self tapping screws provided with the kit. NOTICE: DO NOT OVER TIGHTEN THE SCREWS.
- 6 Use the drill and #2 Phillips screwdriver bit to remove the screws. Set them aside for reuse.
- 7 Remove the paper template and place the duct adapter over the vent. Align the holes in the adapter with the recently drilled holes. NO TICE: THE DUCT ADAPTER FOR 66/80 UNITS MUST USE THE THE SUPPLIED INSERTS/SPACERS FOR A SEALED FIT.
- 8 Use a drill and #2 Phillips screwdriver bit to secure the duct adapter to the water heater using provided screws and washers (place washers on the hole of the adapter, then the screws). Align the screws to use the drilled holes. NOTICE: DO NOT OVER TIGHTEN THE SCREWS.
- 9 Visually check the duct adapter to make sure it is mounted in the correct location and correctly aligned. No vents should be visible along the edges of the duct adapter.
- 10 Secure the insulated flexible ducting to the duct adapter with the cable tie.
 - NOTICE: DO NOT use with metal or rigid ducting.
 - For total inlet and outlet ducting lengths longer than 50' a duct booster fan kit must be installed. See part number 100131328.
- 11 If all ducting installation is complete, turn on electric power to the water heater at the circuit breaker panel (or replace the disconnects).
- 12 Follow the instructions in your Use & Care Guide to start up your water heater. Ensure the water heater is set to your desired settings and all adapter connections are secure. NOTICE: Ensure ducting vents are open during unit operation.

11" TEMPLATE BORDER - NO VENT OUTLETS BEYOND THIS LINE

TEMPLATE BORDER - NO VENT OUTLETS BEYOND THIS LINE

TEMPLATE BORDER - NO VENT OUTLETS BEYOND THIS LINE

TEMPLATE BORDER - NO VENT OUTLETS BEYOND THIS LINE

CENTER LINE: MATCH WITH CENTER LINE ON UNIT.

14"



50/66/80 GALLON UNITS

TOP OF TEMPLATE

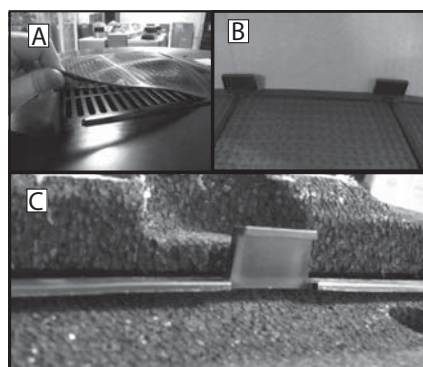
9.5"

TEMPLATE BORDER - NO VENT INLETS BEYOND THIS LINE

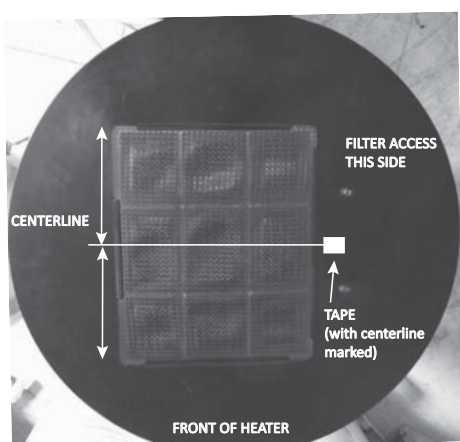
TEMPLATE BORDER - NO VENT INLETS BEYOND THIS LINE

INLET TEMPLATE INSTRUCTIONS:

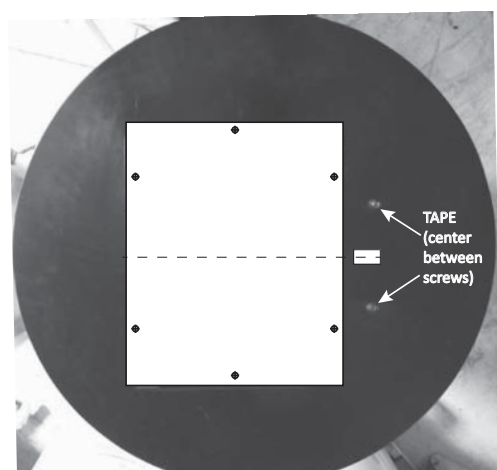
- 1 Be sure the electrical power to the water heater is turned OFF at the circuit breaker panel (or remove the disconnects).
- 2 Using a non-contact circuit tester, check the wiring to make certain the power is OFF.
- 3 Carefully remove filter from unit by gently pulling (A) from the right side and install into duct adaptor. There are 2 tabs (B) (oriented into the top) on the side of filter opposite the 2 top screws. Install into the adapter with the 2 tabs upward (C).



- 4 Mark the center point between 2 screws as shown. Place a piece of tape at the "center" location and mark the tape with a pen or marker.



- 5 Align the centerline of the template with the "taped" centerline and the top of the template sheet with the center of the two top screws. NOTICE: For proper operation the template must be aligned with the center of the inlet vent.



TEMPLATE BORDER - NO VENT INLETS BEYOND THIS LINE

TEMPLATE BORDER - NO VENT INLETS BEYOND THIS LINE

8.75"

- 6 Use a drill and #2 Phillips screwdriver bit to set the self tapping screws provided with the kit.
NOTICE: DO NOT OVER TIGHTEN THE SCREWS.
- 7 Use the drill and #2 Phillips screwdriver bit to remove the screws. Set them aside for reuse.
- 8 Remove the paper template and place the duct adaptor over the vent. Align the holes in the adapter with the recently drilled holes in the unit.
- 9 Use a drill and #2 Phillips screwdriver bit to secure the duct adapter to the water heater using provided screws and washers (place washer on the hole of the adapter then the screw). Align the screws to use the drilled holes.
NOTICE: DO NOT OVER TIGHTEN THE SCREWS.
- 10 Visually check the duct adapter to make sure it is mounted in the correct location and correctly aligned. No vents should be visible along the edges of the duct adapter.
- 11 Secure the insulated flexible ducting to the duct adapter with the cable tie.
 - NOTICE: DO NOT use with metal or rigid ducting.
 - For total (inlet and outlet) ducting lengths longer than 50' a duct booster fan kit must be installed. See part number 100131328.
- 12 If all ducting installation is complete, turn on electric power to the water heater at the circuit breaker panel (or replace the disconnects).
- 13 Follow the instructions in your Use & Care Guide to start up your water heater. Ensure the water heater is set to your desired settings and all adapter connections are secure.
NOTICE: Ensure ducting vents are open during unit operation.

CENTER LINE: MATCH WITH CENTER LINE ON UNIT.

6"

6"



7"

7"

