

SCHWINN®

Owner's Manual Electric Mountain Bike

This manual contains important safety, performance and maintenance information. Read the manual before taking your first ride on your new bicycle, and keep the manual handy for future reference.

To register your bike visit
[schwinnbikes.com/register](https://www.schwinnbikes.com/register)



Congratulations

on your new bicycle! Proper assembly and operation of your bicycle is important for your safety and enjoyment. Our customer service department is dedicated to your satisfaction with Pacific Cycle and its products. If you have questions or need advice regarding assembly, parts, performance, or returns, please contact the experts at Pacific Cycle. **Enjoy the ride!**

Toll free: 1-800-626-2811.

Customer Service hours: Monday - Friday 8 AM- 5 PM Central Standard Time (CST)

You may also reach us at:

Web: www.pacific-cycle.com

Email: customerservice@pacific-cycle.com

Mail: P. O. Box 344
4730 E. Radio Tower Lane
Olney, IL 62450

Do not return this item to the store. Please call Pacific Cycle customer service if you need assistance. You will need your model number and date code located on the service sticker near the bottom bracket area. See **Appendix D: Purchase Record** for the location of the model number on your bicycle.

IMPORTANT:

This manual contains important safety, performance and service information. Read it before you take the first ride on your new bicycle, and keep it for reference.

Additional safety, performance and service information for specific components such as suspension or pedals on your bicycle, or for accessories such as helmets or lights that you purchase, may also be available. Make sure that your dealer has given you all the manufacturers' literature that was included with your bicycle or accessories. In case of a conflict between the instructions in this manual and information provided by a component manufacturer, always follow the component manufacturer's instructions.

If you have any questions or do not understand something, take responsibility for your safety and consult with your dealer or the bicycle's manufacturer.

NOTE: *This manual is not intended as a comprehensive use, service, repair or maintenance manual. Please see your dealer for all service, repairs or maintenance. Your dealer may also be able to refer you to classes, clinics or books on bicycle use, service, repair or maintenance.*

CONTENTS



A SAFETY	1	A.3.5 Brake reach	19
GENERAL WARNING:.....	1	A.4 Pedal Assist Electric Bicycle.....	20
A SPECIAL NOTE FOR PARENTS:.....	1	A.4.1 Operation.....	20
A.1 FIRST.....	2	A.4.2 Battery.....	22
A.1.1 Bike Fit.....	2	A.4.3 Storage.....	23
A.1.2 Safety First.....	3	A.4.4 Transportation.....	23
A.1.3 Mechanical Safety Check.....	3	A.4.5 Modifications.....	23
A.1.4 First Ride.....	6	A.4.6 Maintenance.....	24
A.2 SAFETY.....	6	B PARTS IDENTIFICATION	25
A.2.1 The Basics.....	6	C ASSEMBLY	29
A.2.2 Riding Safety.....	8	C.1 Tools Required.....	30
A.2.3 Off Road Safety.....	9	C.2 Getting Started.....	30
A.2.4 Wet Weather Riding.....	9	C.3 e-bike Assembly Parts.....	31
A.2.4 Night Riding.....	10	C.3.1 Assembly Parts for Interior Battery.....	31
A.2.5 Extreme, stunt or competition riding.....	11	C.3.2 Assembly Parts for Exterior Battery.....	33
A.2.6 Changing Components or Adding Accessories.....	12	C.4 Attach the Front Wheel.....	35
A.3 FIT.....	13	C.5 Attach the Handlebar.....	36
A.3.1 Standover height.....	13	C.6 Attach the Brake Cables.....	38
A.3.2 Saddle position.....	14	C.7 Attach the Seat.....	39
A.3.3 Handlebar height and angle.....	17	C.8 Attach the Pedals.....	40
A.3.4 Control position adjustments.....	19		

AA.3 Cross-Country, Marathon, Hardtails	79
AA.4 All Mountain	80
AA.5 Gravity, Freeride, and Downhill	81
AA.6 Dirt Jump	82
AA.7 Cyclo-cross	83
AA.8 Road Tandems	84
AA.9 Mountain Tandems	84
Appendix B	85
AB.1 The lifespan of your bike and its components	85
AB.1.1 Nothing Lasts Forever, Including Your Bike.	85
AB.1.2 Perspective	85
AB.1.3 What to look for	88
AB.2 Fatigue Is Not A Perfectly Predictable Science	89
AB.2.1 Factors that shorten product life:	89
AB.2.2 Factors that lengthen product life:	89
Appendix C	90
Fastener Torque Recommendations	90
Appendix D	92
Limited Warranty And Policy on Replacement Procedures & Responsibilities	92
Purchase Record	93

A SAFETY**GENERAL WARNING:**

Like any sport, bicycling involves risk of injury and damage. By choosing to ride a bicycle, you assume the responsibility for that risk, so you need to know — and practice — the rules of safe and responsible riding, proper use, and maintenance. Proper use and maintenance of your bicycle reduces risk of injury.

This Manual contains many **Warnings** and **Cautions** concerning the consequences of failure to maintain or inspect your bicycle and/or failure to follow safe cycling practices.

- The combination of the  safety alert symbol and the word **WARNING** indicates a potentially hazardous situation which, if not avoided, could result in serious injury or death.
- The combination of the  safety alert symbol and the word **CAUTION** indicates a potentially hazardous situation which, if not avoided, may result in minor or moderate injury, or is an alert against unsafe practices.
- The word **CAUTION** used without the safety alert symbol indicates a situation which, if not avoided, could result in serious damage to the bicycle or the voiding of your warranty.

Many of the Warnings and Cautions say, “You may lose control and fall”. Because any fall can result in serious injury or even death, we do not always repeat the warning of possible injury or death.

Because it is impossible to anticipate every situation or condition that can occur while riding, this Manual makes no representation about the safe use of the bicycle under all conditions. There are risks associated with the use of any bicycle which cannot be predicted or avoided, and which are the sole responsibility of the rider.

A SPECIAL NOTE FOR PARENTS:

As a parent or guardian, you are responsible for the activities and safety of your minor child, and that includes making sure that the bicycle is properly fitted to the child; that it is in good repair and safe operating condition; that you and your child have learned and understand the safe operation of the bicycle; and that you and your child have learned, understand and obey not only the applicable local motor vehicle, bicycle and traffic laws, but also the common sense rules of safe and responsible bicycling. As a parent, you should read this manual, as well as review its warnings and the bicycle’s functions and operating procedures with your child, before letting your child ride the bicycle.

WARNING!

Make sure that your child always wears an approved bicycle helmet when riding; but also make sure that your child understands that a bicycle helmet is for bicycling only, and must be removed when not riding.

A helmet must not be worn while playing, in play areas, on playground equipment, while climbing trees, or at any time while not riding a bicycle. Failure to follow this warning could result in serious injury or death.

WARNING!

This manual covers both Adult and Juvenile, BMX and other types of youth-sized bicycles. Your child may be sold or may ride an adult-sized bicycle as well.

A.1 FIRST

NOTE: We strongly urge you to read this Manual in its entirety before your first ride. At the very least, read and make sure that you understand each point in this section, and refer to the cited sections on any issue that you don't completely understand. Please note that not all bicycles have all of the features described in this Manual. Ask your dealer to point out the features of your bicycle.

A.1.1 Bike fit

1. Is your bike the right size? To check, see **Section A.3.1** If your bicycle is too large or too small, you may lose control and fall. If your new bike is not the right size, ask your dealer to exchange it before you ride it.
2. Is the saddle at the right height? To check, see **Section A.3.2** If you adjust your saddle height, follow the Minimum Insertion instructions in **Section A.3.2**
3. Are saddle and seat post securely clamped? A correctly tightened saddle will allow no saddle movement in any direction. See **Section A.3.2**
4. Are the stem and handlebars at the right height for you? If not, see **Section A.3.3**
5. Can you comfortably operate the brakes? If not, you may be able to adjust their angle and reach. See **Section A.3.5**
6. Do you fully understand how to operate your new bicycle? If not, before your first ride, have your dealer explain any functions or features that you do not understand.

A.1.2 Safety first

1. Always wear an approved helmet when riding your bike, and follow the helmet manufacturer's instructions for fit, use and care.
2. **Do you have all the other required and recommended safety equipment?** See **Section A.2** It's your responsibility to familiarize yourself with the laws of the areas where you ride, and to comply with all applicable laws.
3. **Do you know how to correctly secure your front and rear wheels?** Check **Section C.4** to make sure. Riding with an improperly secured wheel can cause the wheel to wobble or disengage from the bicycle, and cause serious injury or death.
4. If your bike has toeclips and straps or clipless (step-in) pedals, make sure you know how they work. These pedals require special techniques and skills. Follow the pedal manufacturer's instructions for use, adjustment and care.
5. **Do you have toe overlap?** On smaller framed bicycles your toe or toeclip may be able to contact the front wheel when a pedal is all the way forward and the wheel is turned to check whether you have toeclip overlap.
6. **Does your bike have suspension?** Suspension can change the way a bicycle performs. Follow the suspension manufacturer's instructions for use, adjustment and care.

A.1.3 Mechanical Safety Check

Routinely check the condition of your bicycle before every ride.

- Nuts, bolts screws & other fasteners:** Because manufacturers use a wide variety of fastener sizes and shapes made in a variety of materials, often differing by model and component, the correct tightening force or torque cannot be generalized.

To make sure that the many fasteners on your bicycle are correctly tightened, refer to the Fastener Torque Specifications in Appendix C of this manual or to the torque specifications in the instructions provided by the manufacturer of the component in question.

Correctly tightening a fastener requires a calibrated torque wrench. A professional bicycle mechanic with a torque wrench should torque the fasteners on you bicycle. If you choose to work on your own bicycle, you must use a torque wrench and the correct tightening torque specifications from the bicycle or component manufacturer or from your dealer. If you need to make an adjustment at home or in the field, we urge you to exercise care, and to have the fasteners you worked on checked by your dealer as soon as possible.

Note: There are some components that require special tools and knowledge. In **Sections C and D we discuss the items that you may be able to adjust yourself. All other adjustments and repairs should be done by a qualified bicycle mechanic**

⚠️ WARNING!

Correct tightening force on fasteners – nuts, bolts, screws – on your bicycle is important. Too little force, and the fastener may not hold securely. Too much force, and the fastener can strip threads, stretch, deform or break. Either way, incorrect tightening force can result in component failure, which can cause you to lose control and fall.

- Make sure nothing is loose.** Lift the front wheel off the ground by two or three inches, then let it bounce on the ground. Anything sound, feel or look loose? Do a visual and tactile inspection of the whole bike. Any loose parts or accessories? If so, secure them. If you're not sure, ask someone with experience to check.
- Tires & Wheels:** Make sure tires are correctly inflated (see **Section E.4**). Check by putting one hand on the saddle, one on the intersection of the handlebars and stem, then bouncing your weight on the bike while looking at tire deflection. Compare what you see with how it looks when you know the tires are correctly inflated; and adjust if necessary.
- Tires in good shape?** Spin each wheel slowly and look for cuts in the tread and sidewall. Replace damaged tires before riding the bike.
- Wheels true?** Spin each wheel and check for brake clearance and side-to-side wobble. If a wheel wobbles side to side even slightly, or rubs against or hits the brake pads, take the bike to a qualified bike shop to have the wheel trued.

⚠️ WARNING!

Wheels must be true for rim brakes to work effectively. Wheel truing is a skill that requires special tools and experience. Do not attempt to true a wheel unless you have the knowledge, experience and tools needed to do the job correctly.

- Wheel rims clean and undamaged?** Make sure the rims are clean and undamaged at the tire bead and, if you have rim brakes, along the braking surface. Check to make sure that any rim wear indicator marking is not visible at any point on the wheel rim.

⚠️ WARNING!

Bicycle wheel rims are subject to wear. Contact customer service regarding wheel rim wear. Some wheel rims have a rim wear indicator on the side that disappears as the rim's braking surface wears. A rim whose wear indicator has become very shallow or is no longer visible has reached its maximum usable life. Riding a wheel that is at the end of its usable life can result in wheel failure, which can cause you to lose control and fall.

- Brakes:** Check the brakes for proper operation (see *Section E.3*). Squeeze the brake levers.
 - Are the brake quick-releases closed? All control cables seated and securely engaged?
 - If you have rim brakes, do the brake pads contact the wheel rim squarely and make full contact with the rim?
 - Do the brakes begin to engage within an inch of brake lever movement?
Can you apply full braking force at the levers without having them touch the handlebar?
 - If not, your brakes need adjustment. Do not ride the bike until the brakes are properly adjusted by a professional bicycle mechanic.
- Wheel retention system:** Make sure the front and rear wheels are correctly secured. See *Section E.1*
- Seat post:** If your seat post has an over-center cam action fastener for easy height adjustment, check that it is properly adjusted and in the locked position. See *Section E.2*
- Handlebar and saddle alignment:** Make sure the saddle and handlebar stem are parallel to the bike's center line and clamped tight enough so that you can't twist them out of alignment. See *Sections C.6* and *C.8*

- Handlebar ends:** Make sure the handlebar grips are secure and in good condition, with no cuts, tears, or worn out areas. If not, have your dealer replace them. Make sure the handlebar ends and extensions are plugged. If the handlebars have bar end extensions, make sure they are clamped tight enough so you can't twist them.

WARNING!

Loose or damaged handlebar grips or extensions can cause you to lose control and fall. Unplugged handlebars or extensions can cut you and cause serious injury in an otherwise minor accident.

VERY IMPORTANT SAFETY NOTE: Please also read and become thoroughly familiar with the important information on the lifespan of your bicycle and its components in *Appendix D*

A.1.4 First ride

When you buckle on your helmet and go for your first familiarization ride on your new bicycle, be sure to pick a controlled environment, away from cars, other cyclists, obstacles or other hazards. Ride to become familiar with the controls, features and performance of your new bike.

Familiarize yourself with the braking action of the bike (see **Section E.3**). Test the brakes at slow speed, putting your weight toward the rear and gently applying the brakes, rear brake first. Sudden or excessive application of the front brake could pitch you over the handlebars. Applying brakes too hard can lock up a wheel, which could cause you to lose control and fall. Skidding is an example of what can happen when a wheel locks up.

If your bicycle has toeclips or clipless pedals, practice getting in and out of the pedals. See paragraph above.

If your bike has suspension, familiarize yourself with how the suspension responds to brake application and rider weight shifts.

Practice shifting the gears (see **Section E.3.3**). Remember to never move the shifter while pedaling backward, nor pedal backwards immediately after having moved the shifter. This could jam the chain and cause serious damage to the bicycle.

Check out the handling and response of the bike; and check the comfort.

If you have any questions, or if you feel anything about the bike is not as it should be, contact customer service before you ride again.

A.2 SAFETY

A.2.1 The Basics

⚠ WARNING!

The area in which you ride may require specific safety devices. It is your responsibility to familiarize yourself with the laws of the area where you ride and to comply with all applicable laws, including properly equipping yourself and your bike as the law requires.

Observe all local bicycle laws and regulations. Observe regulations about bicycle lighting, licensing of bicycles, riding on sidewalks, laws regulating bike path and trail use, helmet laws, child carrier laws, special bicycle traffic laws. It's your responsibility to know and obey the laws.

1. Always wear a cycling helmet that meets the latest certification standards and is appropriate for the type of riding you do. Always follow the helmet manufacturer's instructions for fit, use and care of your helmet. Most serious bicycle injuries involve head injuries that might have been avoided if the rider had worn an appropriate helmet.

⚠ WARNING!

Failure to wear a helmet when riding may result in serious injury or death.

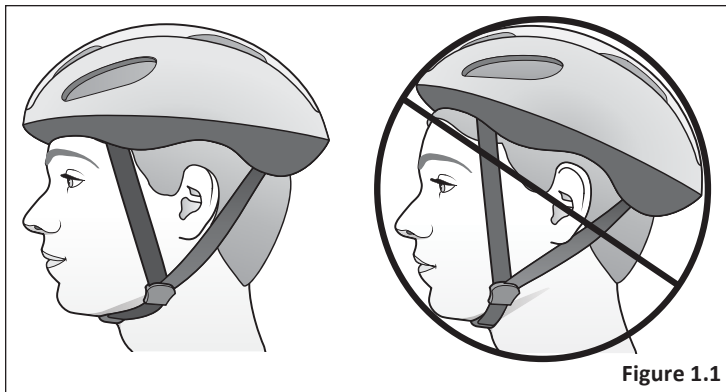


Figure 1.1

You're helmet should (Figure 1.1):

- Ensure your helmet is U.S. Consumer Product Safety Commission (CPSC) certified (look for the label on the helmet)
 - Properly sized for you
 - Properly fitted to you
 - Properly attached to your head
 - Undamaged
2. Always do the Mechanical Safety Check (**Section A.1.3**) before you get on a bike.
 3. Be thoroughly familiar with the controls of your bicycle: brakes (**Section E.3**); pedals (**Section C.9**); shifting (**Section E.3.3**).

4. Be careful to keep body parts and other objects away from the sharp teeth of chainrings, the moving chain, the turning pedals and cranks, and the spinning wheels of your bicycle.
5. Always wear:
 - Shoes that will stay on your feet and will grip the pedals. Make sure that shoelaces cannot get into moving parts, and never ride barefoot or in sandals.
 - Bright, visible clothing that is not so loose that it can be tangled in the bicycle or snagged by objects at the side of the road or trail.
 - Protective eyewear, to protect against airborne dirt, dust and bugs-tinted when the sun is bright, clear when it's not.
6. Unless your bicycle was specifically designed for jumping, don't jump with your bike. Jumping a bike, particularly a BMX or mountain bike, can be fun; but it can put huge and unpredictable stress on the bicycle and its components. Riders who insist on jumping their bikes risk serious damage, to their bicycles as well as to themselves. Before you attempt to jump, do stunt riding or race with your bike, read and understand **Section A.2.6**
7. Ride at a speed appropriate for conditions. Higher speed means higher risk.

A.2.2 Riding Safety

1. Obey all Rules of the Road and all local traffic laws.
2. You are sharing the road or the path with others — motorists, pedestrians and other cyclists. Respect their rights.
3. Ride defensively. Always assume that others do not see you.
4. Look ahead, and be ready to avoid:
 - Vehicles slowing or turning, entering the road or your lane ahead of you, or coming up behind you.
 - Parked car doors opening.
 - Pedestrians stepping out.
 - Children or pets playing near the road.
 - Pot holes, sewer grating, railroad tracks, expansion joints, road or sidewalk construction, debris and other obstructions that could cause you to swerve into traffic, catch your wheel or cause you to have an accident.
 - The many other hazards and distractions which can occur on a bicycle ride.
5. Ride in designated bike lanes, on designated bike paths or as close to the edge of the road as practicable, in the direction of traffic flow or as directed by local governing laws.
6. Stop at stop signs and traffic lights; slow down and look both ways at street intersections. Remember that a bicycle always loses in a collision with a motor vehicle, so be prepared to yield even if you have the right of way.
7. Use approved hand signals for turning and stopping.
8. Never ride with headphones. They mask traffic sounds and emergency vehicle sirens, distract you from concentrating on what's going on around you, and their wires can tangle in the moving parts of the bicycle, causing you to lose control.
9. Never carry a passenger; and, before installing a child carrier or trailer, check with your dealer or the bicycle manufacturer to make sure the bicycle is designed for it. If the bicycle is suitable for a child carrier or trailer, make sure that the carrier or trailer is correctly mounted and the child is secured and wearing an approved helmet.
10. Never carry anything which obstructs your vision or your complete control of the bicycle, or which could become entangled in the moving parts of the bicycle.
11. Never hitch a ride by holding on to another vehicle.
12. Don't do stunts, wheelies or jumps. If you intend to do stunts, wheelies, jumps or go racing with your bike despite our advice not to, read Section A.2.6, Downhill, Stunt or Competition Biking, now. Think carefully about your skills before deciding to take the large risks that go with this kind of riding.
13. Don't weave through traffic or make any moves that may surprise people with whom you are sharing the road.
14. Observe and yield the right of way.
15. Never ride your bicycle while under the influence of alcohol or drugs.

16. If possible, avoid riding in bad weather, when visibility is obscured, at dawn, dusk or in the dark, or when extremely tired. Each of these conditions increases the risk of accident.

A.2.3 Off Road Safety

We recommend that children not ride on rough terrain unless they are accompanied by an adult.

1. The variable conditions and hazards of off-road riding require close attention and specific skills. Start slowly on easier terrain and build up your skills. If your bike has suspension, the increased speed you may develop also increases your risk of losing control and falling. Get to know how to handle your bike safely before trying increased speed or more difficult terrain.
2. Wear safety gear appropriate to the kind of riding you plan to do.
3. Don't ride alone in remote areas. Even when riding with others, make sure that someone knows where you're going and when you expect to be back.
4. Always take along some kind of identification, so that people know who you are in case of an accident; and take along some cash for food, a cool drink or an emergency phone call.
5. Yield right of way to pedestrians and animals. Ride in a way that does not frighten or endanger them, and give them enough room so that their unexpected moves don't endanger you.
6. Be prepared. If something goes wrong while you're riding off-road, help may not be close.

7. Before you attempt to jump, do stunt riding or race with your bike, read and understand **Section A.2.6**

Off Road Respect

Obey the local laws regulating where and how you can ride off-road, and respect private property. You may be sharing the trail with others — hikers, trail runners, equestrians, and other cyclists. Respect their rights. Stay on the designated trail. Don't contribute to erosion by riding in mud or with unnecessary sliding. Don't disturb the ecosystem by cutting your own trail or shortcut through vegetation or streams. It is your responsibility to minimize your impact on the environment. Leave things as you found them; and always take out everything you brought in.

A.2.4 Wet Weather Riding

WARNING!

Wet weather impairs traction, braking and visibility, both for the bicyclist and for other vehicles sharing the road. The risk of an accident is dramatically increased in wet conditions.

Under wet conditions, the stopping power of your brakes (as well as the brakes of other vehicles sharing the road) is dramatically reduced and your tires don't grip nearly as well. This makes it harder to control speed and easier to lose control. To make sure that you can slow down and stop safely in wet conditions, ride more slowly and apply your brakes earlier and more gradually than you would under normal, dry conditions.

A.2.5 Night Riding

Riding a bicycle at night is much more dangerous than riding during the day. A bicyclist is very difficult for motorists and pedestrians to see. Therefore, children should never ride at dawn, at dusk or at night. Adults who chose to accept the greatly increased risk of riding at dawn, at dusk or at night need to take extra care both riding and choosing specialized equipment that helps reduce that risk. Consult your dealer about night riding safety equipment.

⚠️ WARNING!

Reflectors are not a substitute for required lights. Riding at dawn, at dusk, at night or at other times of poor visibility without an adequate bicycle lighting system and without reflectors is dangerous and may result in serious injury or death.

Bicycle reflectors are designed to pick up and reflect car lights and street lights in a way that may help you to be seen and recognized as a moving bicyclist.

⚠️ CAUTION!

Check reflectors and their mounting brackets regularly to make sure that they are clean, straight, unbroken and securely mounted. Have your dealer replace damaged reflectors and straighten or tighten any that are bent or loose.

The mounting brackets of front and rear reflectors are often designed as brake straddle cable safety catches which prevent the straddle cable from catching on the tire tread if the cable jumps out of its yoke or breaks.

⚠️ WARNING!

Do not remove the front or rear reflectors or reflector brackets from your bicycle. They are an integral part of the bicycle's safety system. Removing the reflectors reduces your visibility to others using the roadway.

Being struck by other vehicles may result in serious injury or death.

The reflector brackets may protect you from a brake straddle cable catching on the tire in the event of brake cable failure. If a brake straddle cable catches on the tire, it can cause the wheel to stop suddenly, causing you to lose control and fall.

If you choose to ride under conditions of poor visibility, check and be sure you comply with all local laws about night riding, and take the following strongly recommended additional precautions:

- Purchase and install battery or generator powered head and tail lights which meet all regulatory requirements for where you live and provide adequate visibility.

A Safety

- Wear light colored, reflective clothing and accessories, such as a reflective vest, reflective arm and leg bands, reflective stripes on your helmet, flashing lights attached to your body and/or your bicycle ... any reflective device or light source that moves will help you get the attention of approaching motorists, pedestrians and other traffic.
- Make sure your clothing or anything you may be carrying on the bicycle does not obstruct a reflector or light.
- Make sure that your bicycle is equipped with correctly positioned and securely mounted reflectors.

While riding at dawn, at dusk or at night:

- Ride slowly.
- Avoid dark areas and areas of heavy or fast-moving traffic.
- Avoid road hazards.
- If possible, ride on familiar routes.

If riding in traffic:

- Be predictable. Ride so that drivers can see you and predict your movements.
- Be alert. Ride defensively and expect the unexpected.
- If you plan to ride in traffic often, contact customer service about traffic safety classes or a good book on bicycle traffic safety.

A.2.6 Extreme, stunt or competition riding

⚠ WARNING!

Although many catalogs, advertisements and articles about bicycling depict riders engaged in extreme riding, this activity is extremely dangerous, increases your risk of injury or death, and increases the severity of any injury. Remember that the action depicted is being performed by professionals with many years of training and experience. Know your limits and always wear a helmet and other appropriate safety gear. Even with state-of-the-art protective safety gear, you could be seriously injured or killed when jumping, stunt riding, riding downhill at speed or in competition.

Bicycles and bicycle parts have limitations with regard to strength and integrity, and this type of riding can exceed those limitations or dramatically reduce the length of their safe use.

Whether you call it Aggro, Hucking, Freeride, North Shore, Downhill, Jumping, Stunt Riding, Racing, Enduro or something else: if you engage in this sort of extreme, aggressive riding, you voluntarily assume a greatly increased risk of injury or death.

Not all bicycles are designed for these types of riding, and those that are may not be suitable for all types of aggressive riding. Check with your dealer or the bicycle's manufacturer about the suitability of your bicycle before engaging in extreme riding.

When riding fast down hill, you can reach speeds achieved by motorcycles, and therefore face similar hazards and risks. Have your bicycle and equipment carefully inspected by a qualified mechanic and be sure it is in perfect condition. Consult with expert riders, area site personnel and race officials on conditions and equipment advisable at the site where you plan to ride. Wear appropriate safety gear, including an approved full face helmet, full finger gloves, and body armor. Ultimately, it is your responsibility to have proper equipment and to be familiar with course conditions.

We recommend against this type of riding because of the increased risks; but if you choose to take the risk, at least:

- Take lessons from a competent instructor first
- Start with easy learning exercises and slowly develop your skills before trying more difficult or dangerous riding
- Use only designated areas for stunts, jumping, racing or fast downhill riding
- Wear a full face helmet, safety pads and other safety gear
- Understand and recognize that the stresses imposed on your bike by this kind of activity may break or damage parts of the bicycle and void the warranty
- Take your bicycle to your dealer if anything breaks or bends. Do not ride your bicycle when any part is damaged.

If you ride downhill at speed, do stunt riding or ride in competition, know the limits of your skill and experience. Ultimately, avoiding injury is your responsibility.

A.2.7 Changing Components or Adding Accessories

⚠ WARNING!

Failure to confirm compatibility, properly install, operate and maintain any component or accessory can result in serious injury or death.

Exposed springs on the saddle of any bicycle fitted with a child seat can cause serious injury to the child.

Changing the components on your bike with other than genuine replacement parts may compromise the safety of your bicycle and may void the warranty. Contact customer service before changing the components on your bike.

There are many components and accessories available to enhance the comfort, performance and appearance of your bicycle. However, if you change components or add accessories, you do so at your own risk. The bicycle's manufacturer may not have tested that component or accessory for compatibility, reliability or safety on your bicycle.

Before installing any component or accessory, including but not limited to a different size tire, a lighting system, a luggage rack, a child seat, a trailer, etc., make sure that it is compatible with your bicycle by contacting customer service. Be sure to read, understand and follow the instructions that accompany the products you purchase for your bicycle.

A.3 FIT

⚠ WARNING!

If your bicycle does not fit properly, you may lose control and fall.

A.3.1 Standover height

1. Diamond frame bicycles

Standover height is the basic element of bike fit. It is the distance from the ground to the top of the bicycle's frame at that point where your crotch is when straddling the bike. To check for correct standover height, straddle the bike while wearing the kind of shoes in which you'll be riding, and bounce vigorously on your heels. If your crotch touches the frame, the bike is too big for you. Don't even ride the bike around the block. A bike which you ride only on paved surfaces and never take off-road should give you a minimum standover height clearance of two inches (5 cm).

A bike that you'll ride on unpaved surfaces should give you a minimum of three inches (7.5 cm) of standover height clearance. And a bike that you'll use off road should give you four inches (10 cm) or more of clearance. **Figure 1.2**

2. Step-through frame bicycles

Standover height does not apply to bicycles with step-through frames. Instead, the limiting dimension is determined by saddle height range. You must be able to adjust your saddle position

as described in C.8 without exceeding the limits set by the height of the top of the seat tube and the *Minimum Insertion* or *Maximum Extension* mark on the seat post.

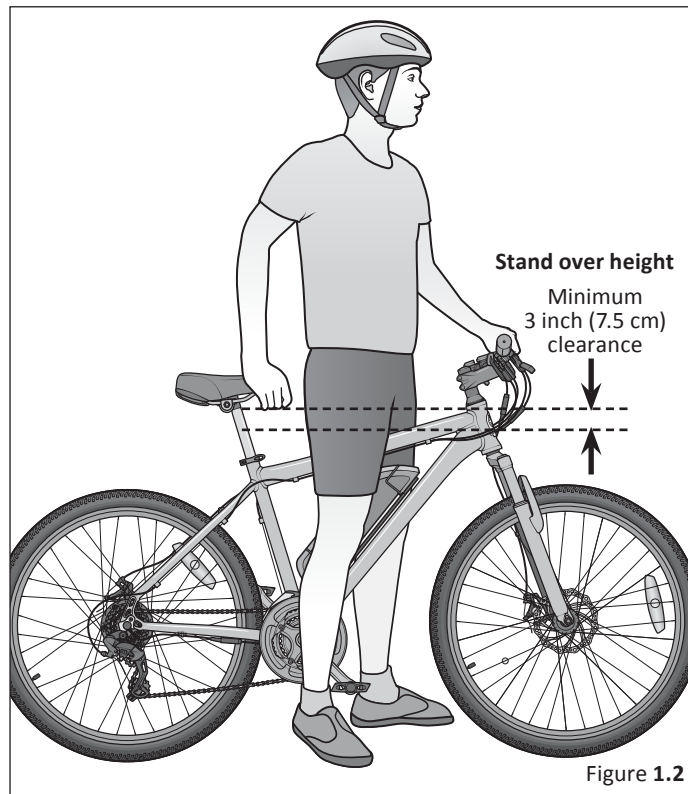


Figure 1.2

A.3.2 Saddle position

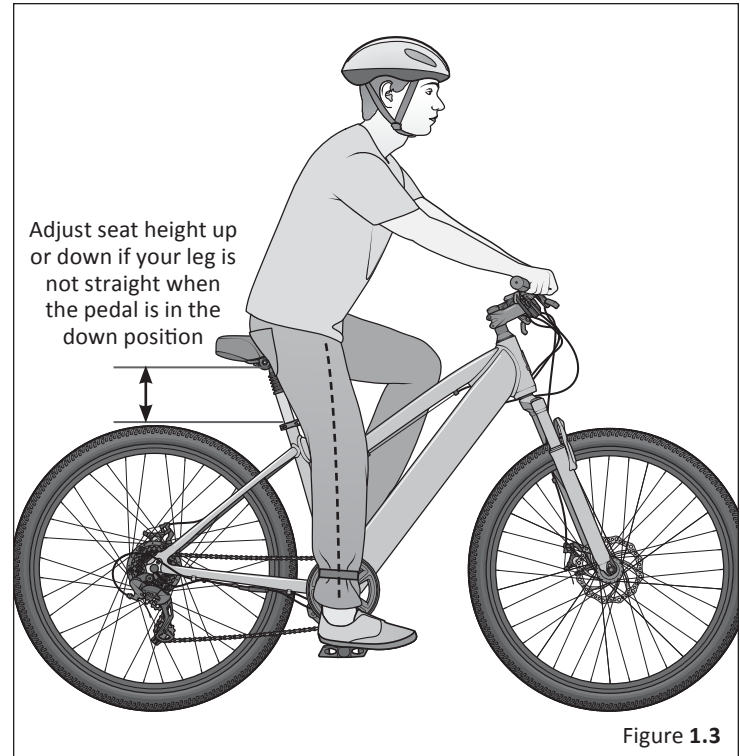
Correct saddle adjustment is an important factor in getting the most performance and comfort from your bicycle. If the saddle position is not comfortable for you, see your dealer.

The saddle can be adjusted in three directions:

1. Up and down adjustment. To check for correct saddle height:

- Sit on the saddle
- Place one heel on a pedal;
- Rotate the crank until the pedal with your heel on it is in the down position and the crank arm is parallel to the seat tube.

If your leg is not completely straight, your saddle height needs to be adjusted. If your hips must rock for the heel to reach the pedal, the saddle is too high. If your leg is bent at the knee with your heel on the pedal, the saddle is too low. **Figure 1.3**



⚠ WARNING!

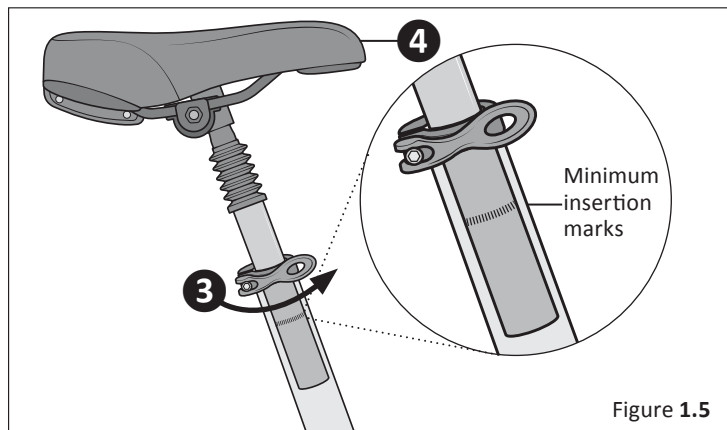
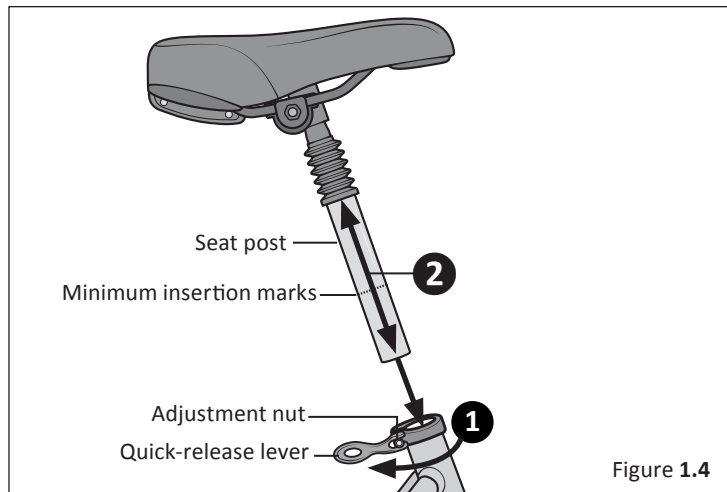
If your seat post is not inserted in the seat tube as described in B.1 above, the seat post, binder or even frame may break, which could cause you to lose control and fall.

Ask your dealer to set the saddle for your optimal riding position and to show you how to make this adjustment. If you choose to make your own saddle height adjustment: **Figure 1.4**

- 1 Loosen the seat post clamp
- 2 Raise or lower the seat post in the seat tube
- 3 Make sure the saddle is straight fore and aft
- 4 Re-tighten the seat post clamp. **Important!** You should feel resistance when you close the quick-release lever that should leave a temporary impression on your fingers. Open and close the handle to ensure the seat is securely locked in place.

Once the saddle is at the correct height, make sure that the seat post does not project from the frame beyond its **Minimum Insertion/Maximum Extension** mark. **Figure 1.5**

NOTE: Some bicycles have a sight hole in the seat tube, the purpose of which is to make it easy to see whether the seat post is inserted in the seat tube far enough to be safe. If your bicycle has such a sight hole, use it instead of the **Minimum Insertion/Maximum Extension** mark to make sure the seat post is inserted in



the seat tube far enough to be visible through the sight hole.

If your bike has an interrupted seat tube, as is the case on some suspension bikes, you must also make sure that the seat post is far enough into the frame so that you can touch it through the bottom of the interrupted seat tube with the tip of your finger without inserting your finger beyond its first knuckle. Also see NOTE on previous page.

2. **Front and back adjustment.** The saddle can be adjusted forward or back to help you get the optimal position on the bike. Ask your dealer to set the saddle for your optimal riding position and to show you how to make this adjustment. If you choose to make your own front and back adjustment, make sure that the clamp mechanism is clamping on the straight part of the saddle rails and is not touching the curved part of the rails, and that you are using the recommended torque on the clamping fastener(s) (**Appendix C** or the manufacturer's instructions).
3. **Saddle angle adjustment.** Most people prefer a horizontal saddle; but some riders like the saddle nose angled up or down just a little. Your dealer can adjust saddle angle or teach you how to do it. If you choose to make your own saddle angle adjustment and you have a single bolt saddle clamp on your seat post, it is critical that you loosen the clamp bolt sufficiently to allow any serrations on the mechanism to disengage before changing the saddle's angle, and then that the serrations fully re-engage before you tighten the clamp bolt to the recommended torque (**Appendix C** or the manufacturer's instructions).

⚠ WARNING!

When making saddle angle adjustments with a single bolt saddle clamp, always check to make sure that the serrations on the mating surfaces of the clamp are not worn. Worn serrations on the clamp can allow the saddle to move, causing you to lose control and fall.

Always tighten fasteners to the correct torque. Bolts that are too tight can stretch and deform. Bolts that are too loose can move and fatigue. Either mistake can lead to a sudden failure of the bolt, causing you to lose control and fall.

Note: If your bicycle is equipped with a suspension seat post, the suspension mechanism may require periodic service or maintenance. Contact customer service for intervals for your suspension seat post.

Small changes in saddle position can have a substantial effect on performance and comfort. To find your best saddle position, make only one adjustment at a time.

⚠ WARNING!

After any saddle adjustment, be sure that the saddle adjusting mechanism is properly seated and tightened before riding. A loose saddle clamp or seat post clamp can cause damage to the seat post, or can cause you to lose control and fall. A correctly tightened saddle adjusting mechanism will allow no saddle movement in any direction. Periodically check to make sure that the saddle adjusting mechanism is properly tightened.

A Safety

If, in spite of carefully adjusting the saddle height, tilt and fore-and-aft position, your saddle is still uncomfortable, you may need a different saddle design. Saddles, like people, come in many different shapes, sizes and resilience. Your dealer can help you select a saddle which, when correctly adjusted for your body and riding style, will be comfortable.

⚠ WARNING!

Some people have claimed that extended riding with a saddle which is incorrectly adjusted or which does not support your pelvic area correctly can cause short-term or long-term injury to nerves and blood vessels, or even impotence. If your saddle causes you pain, numbness or other discomfort, listen to your body and stop riding until you can contact customer service about saddle adjustment or a different saddle.

A.3.3 Handlebar height and angle

Your bike is equipped either with a **threadless** stem, which clamps on to the outside of the steerer tube, or with a **quill** stem, which clamps inside the steerer tube by way of an expanding binder bolt. If you aren't absolutely sure which type of stem your bike has, contact customer service

Threadless

If your bike has a **threadless** stem your dealer may be able to change handlebar height by moving height adjustment spacers from below the stem to above the stem, or vice versa.

Otherwise, you'll have to get a stem of different length or rise. Contact customer service. Do not attempt to do this yourself, as it requires special knowledge. **Figure 1.6**

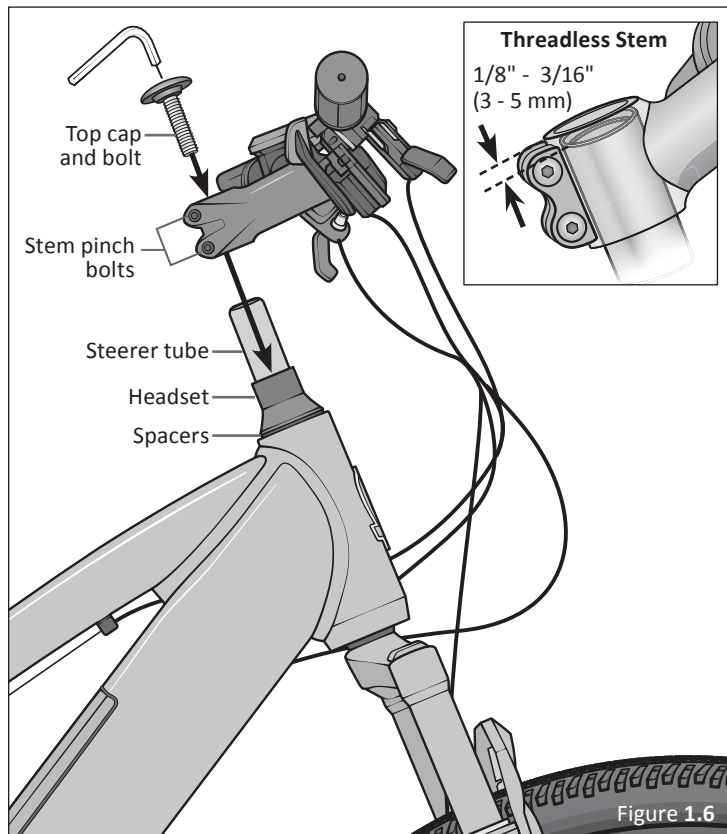


Figure 1.6

Quill Stem

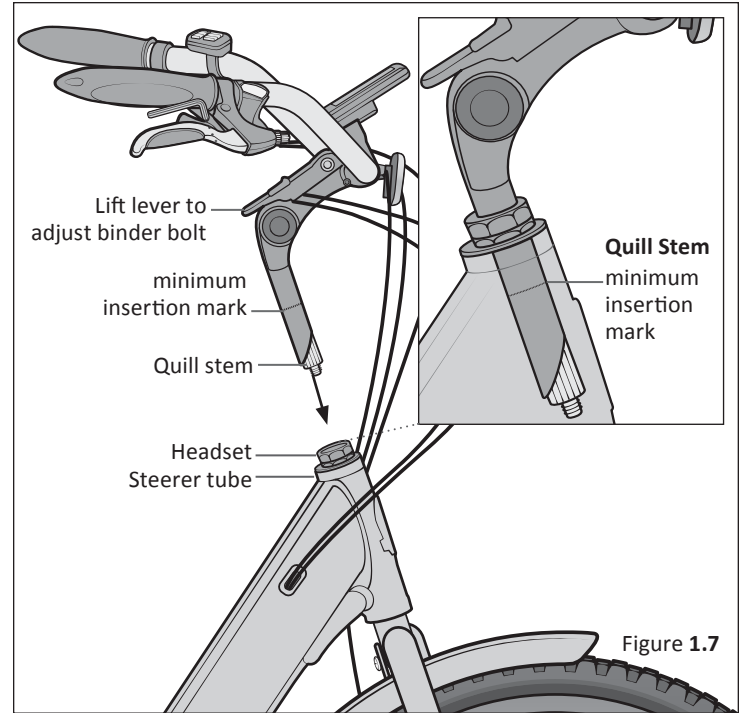
If your bike has a **quill** stem you can contact customer service to adjust the handlebar height a bit by adjusting stem height.

A quill stem has an etched or stamped mark on its shaft that designates the stem's **Minimum Insertion/Maximum Extension**. This mark must not be visible above the headset. **Figure 1.7**

⚠ WARNING!

A quill stem's Minimum Insertion Mark must not be visible above the top of the headset. If the stem is extended beyond the Minimum Insertion Mark the stem may break or damage the fork's steerer tube, which could cause you to lose control and fall.

On some bicycles, changing the stem or stem height can affect the tension of the front brake cable, locking the front brake or creating excess cable slack which can make the front brake inoperable. If the front brake pads move in towards the wheel rim or out away from the wheel rim when the stem or stem height is changed, the brakes must be correctly adjusted before you ride the bicycle.



Adjustable Angle Stem

Some bicycles are equipped with an *adjustable angle stem*. If your bicycle has an adjustable angle stem, contact customer service to show you how to adjust it. Do not attempt to make the adjustment yourself, as changing stem angle may also require adjustments to the bicycle's controls.

WARNING!

Always tighten fasteners to the correct torque. Bolts that are too tight can stretch and deform. Bolts that are too loose can move and fatigue. Either mistake can lead to a sudden failure of the bolt, causing you to lose control and fall.

WARNING!

An insufficiently tightened stem clamp bolt, handlebar clamp bolt or bar end extension clamping bolt may compromise steering action, which could cause you to lose control and fall. Place the front wheel of the bicycle between your legs and attempt to twist the handlebar/stem assembly. If you can twist the stem in relation to the front wheel, turn the handlebars in relation to the stem, or turn the bar end extensions in relation to the handlebar, the bolts are insufficiently tightened.

Be aware that adding aerodynamic extensions to handlebars will change the steering and braking response of the bicycle.

A.3.4 Control position adjustments

The angle of the brake and shift control levers and their position on the handlebars can be changed. If you choose to make your own control lever angle adjustment, be sure to re-tighten the clamp fasteners to the recommended torque (**Appendix C** or the manufacturer's instructions).

A.3.5 Brake reach

Many bikes have brake levers that can be adjusted for reach. If you have small hands or find it difficult to squeeze the brake levers, your dealer can either adjust the reach or fit shorter reach brake levers.

WARNING!

The shorter the brake lever reach, the more critical it is to have correctly adjusted brakes, so that full braking power can be applied within available brake lever travel. Brake lever travel insufficient to apply full braking power can result in loss of control, which may result in serious injury or death.

A.4 Pedal Assist Electric Bicycle

WARNING!

Disregarding or misunderstanding of the following safety warnings, the safety warnings in the manuals associated with the e-bike parts, and safety labels on the e-bike could result in serious injury or death.

- Anyone assembling, using, maintaining, transporting or storing this e-bike must read, understand, and follow these safety warnings before performing any of the actions stated. If you have any questions regarding the safety warnings and labels call Schwinn Customer Service at **1-800-626-2811** before performing any of the actions stated.

A.4.1 Operation

General

- Only use the e-bike and the drive assist system for safe, recreational riding. Use of the e-bike for a purpose it was not intended for is dangerous and could result in property damage, serious injury or death.
- Refer to the drive assist system manufacturer's manual for instructions regarding all the components of the drive assist system (e.g. Battery, Drive Unit and Charger, Display/e-bike Computer). Always follow the manufacturer's instructions for intended use and limitations.

Personal Restrictions

- Use of this e-bike by persons (including children) with reduced physical, sensory or mental capabilities or persons lacking experience and knowledge in the use of the e-bike could result in serious injury or death. The owner of this e-bike must ensure this product is not used by people with the conditions described above. Always follow the rules, regulations and laws (including age limits) related to the use of an e-bike in its area of use.
- A child may not realize or understand the e-bike has moving parts and components (e.g. battery). Never allow children to play or come into contact with the e-bike or its parts. Always follow all rules, regulations and laws regarding age limits and operation in the e-bike area of use.

WARNING!

Drive Assist System

- Turning the drive assist system ON before you are seated and have both hands on the handlebar could result in loss of control of the e-bike. Always have total control of the e-bike and be ready to ride before engaging the drive system.
- The e-bike's drive assist system will increase the acceleration of the bike. It is the rider's responsibility to appropriately judge the riding conditions (e.g. road conditions, tight turns) and current speed of the e-bike before adjusting the drive assist system. Anticipating changes in speed and providing time to react appropriately is critical to using the drive assist system. Always check your surroundings and conditions before accelerating and set the assistance level to lowest assist, or off, when descending hills.
- The drive assist system will not function properly without the display (e-bike computer) properly attached to the base. If the display (e-bike computer) becomes disconnected from the base during a ride, the speed of the e-bike will change. Unexpected deceleration may impact your riding conditions and other vehicles near you. Always be prepared to pull off to a safe area in case the display (e-bike computer) becomes disconnected from the base.

Riding

- Improper use of the drive assist system may result in riding at unsafe speeds and cause accidents resulting in serious injury or death. Do not accelerate using the drive assist system in situations where there is a possibility of causing harm to people, animals, or property. Always maintain control of the e-bike and operate at a safe speed.
- Riding the e-bike through water could result in loss of control and damage to the drive assist system. Do not ride into, or attempt to ride through, water or submerge any part of the e-bike.
- Riding with the kickstand in the down position may result in unexpected contact with the ground or other objects causing loss of control. Always ensure the kickstand is in the up position and securely locked in place before riding the e-bike.
- Sitting on the e-bike with the kickstand down may result in the e-bike tipping over. Never sit on the e-bike when it is only supported and stabilized by the kickstand. The kickstand is not designed to support the weight of a person.
- An improperly secured load on a rear rack could create dangerous riding conditions. Always ensure the load on the rear rack is properly secured before riding.

WARNING!

A.4.2 Battery

Failure to observe the following warnings could result in electrical fires, explosion, severe burns or electrocution.

General

- The battery and battery charger contain hazardous materials. Always keep the battery and battery charger away from children, animals, or persons incapable of understanding the potential hazards.
- The battery and battery charger contain no serviceable parts. Do not open, disassemble, or modify the battery or charger.
- Improper handling of the battery and battery charger may result in electrical fires, explosion, severe burns or electrocution.
 - Do not move the battery or battery charger during charging
 - Do not hold the battery charger during a thunder or lightning storm
 - Do not plug or unplug the battery charger with wet hands
 - Do not place any items on the battery charger
 - Do not place the battery charger in liquids or metals
- Overcharging the battery could result in electrical fires, explosion, or severe burns. Always disconnect the battery from the battery charger when the battery is fully charged. Unplug the battery charger from the wall outlet when not in use.
- A damaged battery or battery charger (e.g. cable, plug or housing) may result in leakage of hazardous materials or be a

potential source of sparking and fire. Always examine the battery and battery charger before each use. Never charge a damaged battery or use a damaged battery charger.

Battery Charger Compatibility

- Charging the battery with an incompatible battery charger may result in electrical fires, explosion, severe burns or electrocution. Ensure the battery charger and the A/C outlet are the same voltage before charging the battery. Only charge the battery using the battery charger specified by the manufacturer's instructions. Never use the battery charger to charge any other batteries.

Battery Charging Environment

- Battery can be charged on or off the bike. Locate both the battery and battery charger indoors, in a clean, dry area with good ventilation to charge. Always place the battery and battery charger on an even surface. Ensure the area is free from dust, moisture, combustibles and keep the battery charger ventilation openings unobstructed. If applicable, always turn the power switch on the battery off before attaching the charger.
- Contact between the battery contacts and metal objects such as paper clips, coins, keys, nails, screws or other metal items could result in shorting out the battery and cause electrical fires, explosion, or severe burns.

WARNING!

- The battery should be charged, discharged and operated in the following conditions:
 - Charge (Temperature Range): 0 – 113° F (0 – 45° C)
 - Discharge (Temperature Range): -4 - 113° F (-20 - 45°)
 - Operation (Relative Humidity): <80%

Battery Disposal

- Battery and battery charger contain regulated materials and must be disposed/discarded in accordance with national and/or local laws. Do not discard the battery and battery charger into fire, water or ordinary household waste/garbage. Always dispose the battery and battery charger at an approved waste facility/recycler.

A.4.3 Storage

- Unexpected activation of the drive assist system could result in serious injury or death. Always turn OFF the drive assist system, remove the key and display unit, and remove the battery from the e-bike when storing the bike. Place the parts in a secure location.
- Overheating of the battery could result in electrical fires or explosion. Always store the battery and battery charger in a well ventilated area at moderate temperatures.

A.4.4 Transportation

- The battery is subject to hazardous materials regulations when in transit. Always contact the proper authorities regarding the

requirements to transport the battery. Do not transport the battery without insulating the battery contacts, properly packaging the battery, applying required safety labels, and use of an authorized shipping container. Never transport a damaged battery.

- The battery must be removed from the e-bike before transporting the bike on an aircraft. Always contact the air carrier for specific requirements.

A.4.5 Modifications

General

- Dealers and owners MUST NOT change, alter, or modify in any way the original components of the bicycle or drive-assist system (e.g. modifying the drive unit or software). Only use software updates authorized by Schwinn. Failure to do so may void the product warranty.
- Attempts to “hot-rod” or “improve” the speed of the bike are dangerous to the rider. Only use specified Schwinn and/or manufacturer drive-assist service and replacement parts. Failure to do so may void the product warranty.

Drive Assist System

- Modifying the e-bike and drive assist system could result in damage to the drive system, faulty or dangerous operating conditions, or violation of rules, regulations and laws related to the use of an e-bike. Never modify the e-bike or its parts for any reason.

WARNING!

A.4.6 Maintenance

- There are no user serviceable elements incorporated into the motor, motor controller, battery, battery charger, throttle, or wiring harness of your e-bicycle. **DO NOT ATTEMPT TO DISASSEMBLE OR ADJUST ANY OF THESE COMPONENTS.** Doing so may cause extensive damage to these components, will void your warranty, and may cause a hazardous condition. If you cannot resolve a problem, contact Schwinn Customer Service at 1-800-626-2811 for all service questions.
- If you perform maintenance with the drive assist active, it could engage the drive unit. Always remove the battery from the e-bike before performing maintenance.
- Cleaning 'live' electrical components may result in shock, sparks, physical personal injury and damage to the electrical component(s). Always de-energize the electrical components (e.g. battery, display) before cleaning.

NOTICE

Cleaning

- Contact between fluids (e.g.: water, cleaning products) and electrical components may cause damage to the components. It is recommended that you use a non-static cloth with a minimal amount of cleaning fluid. Do not soak the cloth with cleaning fluid.

NOTICE

- Cleaning and drying the bicycle with a pressure washer or compressed air may force contaminants into sealed areas, electrical connections, and components which may cause damage, corrosion, or result in accelerated wear. Do not use a pressure washer or compressed air to clean and dry the bicycle.
- Cleaning the bicycle in an unstable position may result in tip-over, unexpected movement and cause damage to the bicycle. Always secure the bicycle so it is in a stable, secured position during cleaning.

Compliance / Regulation

- It is beyond the scope of this manual to identify all rules, regulations and laws related to the use of an e-bike in its area of use. Failure to comply with all rules, regulations and laws may endanger the e-bike user and other people, animals, and property. It is the e-bike owner and user's responsibility to identify, be aware of, and follow all rules, regulations and laws necessary for legal compliance in its area of use.
- It is possible that an e-bike has a Vehicle Class Designation in its area of use (e.g.: California, USA). The Vehicle Class Designation may define the types of e-bikes, e-bike identification and areas for legal use. They may include any required additional equipment, registration, and applicable rider age restrictions. It is the responsibility of the owner and user to understand and follow all rules, regulations, and laws specified in the Vehicle Class Designation.

B PARTS IDENTIFICATION

Mountain ebike

Get to know the parts of your ebike. This will help with assembly, maintenance, and troubleshooting. Color, style and parts may vary.

Part name	
1	Keypad
2	Top cap
3	Pinch bolt
4	Spacer
5	Head set
6	Display unit
7	Handlebar and handlebar grip
8	Hand brake
9	Gear shifter (7 speed)
10	Brake and shifter cables
11	Front fork
12	Front tire
13	Wheel rim

Part name	
14	Spoke
15	Disc brake Wheel nut
16	Air valve stem
17	Speed Sensor and magnet
18	Wheel nut/skewer
19	Front wheel reflector
20	Disc brake caliper
21	Battery
22	Battery charge port
23	Controller housing
24	Seat quick release lever
25	Top tube
26	Battery key

Part name	
27	Seat
28	Seat hardware
29	Seat tube
30	Rear wheel
31	Battery charger and cable
32	Chain
33	Rear derailleur
34	Pedal
35	Crank arm

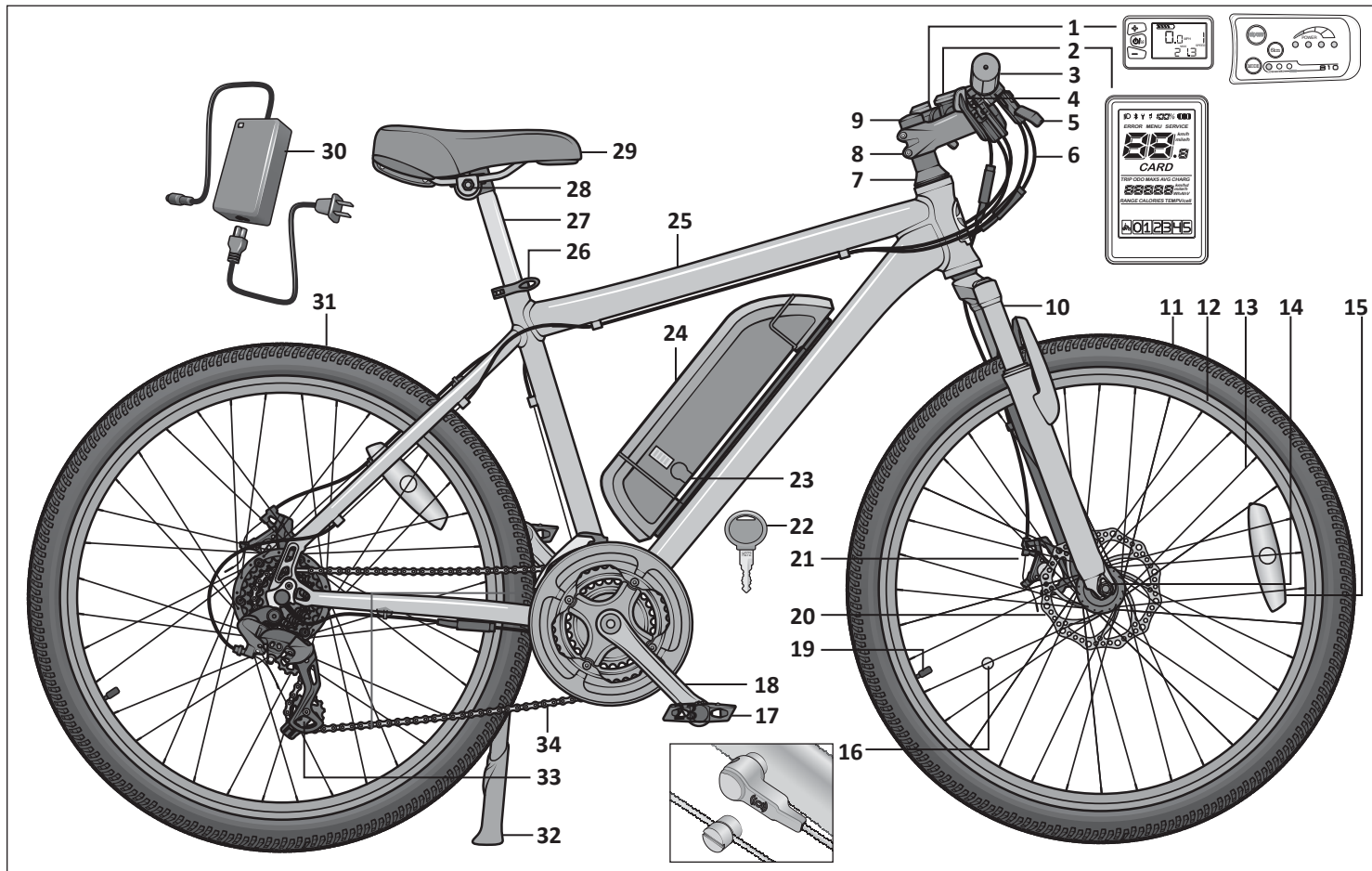
Mountain ebike with Exterior Battery

Get to know the parts of your ebike. This will help with assembly, maintenance, and troubleshooting. Color, style and parts may vary.

Part name	
1	Keypad
2	Display unit
3	Handlebar and handlebar grip
4	Gear shifter (7 speed)
5	Hand brake
6	Brake and shifter cables
7	Headset
8	Stem bolt
9	Top cap
10	Front fork
11	Front tire
12	Wheel rim
13	Spoke
14	Wheel nut and lock washer

Part name	
15	Front wheel reflector
16	Speed Sensor and magnet
17	Pedal
18	Crank arm
19	Air valve stem
20	Disc brake
21	Disc brake caliper
22	Battery key
23	Battery charge port
24	Battery
25	Top tube
26	Seat quick release lever
27	Seat tube
28	Seat hardware

Part name	
29	Seat Rear wheel
30	Battery charger and cable
31	Rear wheel
32	Kickstand
33	Rear derailleur
34	Chain



ASSEMBLY

WARNING!

Improper assembly of this product may result in serious injury or death. Always follow the instructions in this manual and check critical components (e.g. wheels, seat, pedals, brakes, derailleurs, tires) before each use.

We recommend that you consult a bicycle specialist if you have doubts or concerns as to your experience or ability to properly assemble, repair, or maintain your bicycle. If your bicycle was obtained assembled, we recommend that you read these instructions and perform checks specified in this manual before riding.

Your new bicycle was assembled and tuned in the factory and then partially disassembled for shipping. You may have purchased the bicycle already fully assembled and ready to ride **or** in the shipping carton in the partially disassembled form. The following instructions will enable you to prepare your bicycle for years of enjoyable cycling.

For more details on inspection, lubrication, maintenance and adjustment of any area please refer to the relevant sections in this manual. If you have questions about your ability to properly assemble this unit, please consult a qualified bicyclist mechanic before riding.

If you need replacement parts or have questions pertaining to the assembly of your bicycle, call the service line direct at: **1-800-626-2811**. Monday - Friday 8:00 am to 5:00 pm Central Standard Time (CST).

C.1 TOOLS REQUIRED

- Phillips head screw driver (minimum four inch shaft)
- 4 mm, 5 mm, 6 mm 8 mm and 17 mm Allen wrench
- Adjustable wrench or a 9 mm, 10 mm, 14 mm and 15 mm open and box end wrenches
- A pair of pliers with cable cutting ability
- Needle nose pliers with cable cutting ability
- Grease (automotive or anti-slip copper grease)

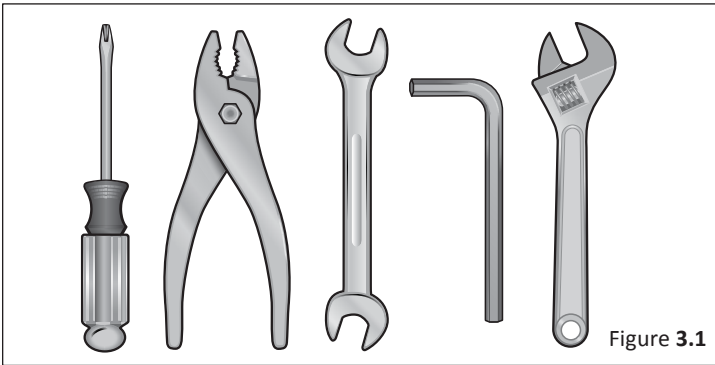


Figure 3.1

C.2 GETTING STARTED

- 1 Open the carton from the top and remove the ebike parts.
- 2 Remove the straps and protective packaging from the ebike.
Important! Do not discard packing materials until assembly is complete to ensure that no required parts are accidentally discarded.
- 3 Inspect the ebike and all accessories and parts for possible shortages. It is recommended that the threads and all moving parts in the parts package be lubricated prior to installation.

Note: We recommend using a lithium based grease on the parts before assembly.

C.3 E-BIKE ASSEMBLY PARTS

C.3.1 ASSEMBLY PARTS FOR INTERIOR BATTERY

The following components are exclusive to the Schwinn Mountain ebike. **Note: Your ebike parts will vary depending on your model. Ensure you have all the following parts. Figure 3.2**

No.	Part name	Qty.
①	Handlebar top cap	1
②	Handlebar assembly	1
③	Keypad	1
④	Display unit	1
⑤	ebike main frame front wheel	1
⑥	Hook washer	2
⑦	Wheel nut	2
⑧	Front wheel	1
⑨	Battery charger	1
⑩	Pedal	2
⑪	Battery key	1
⑫	Battery	1
⑬	Seat and seat tube assembly	1

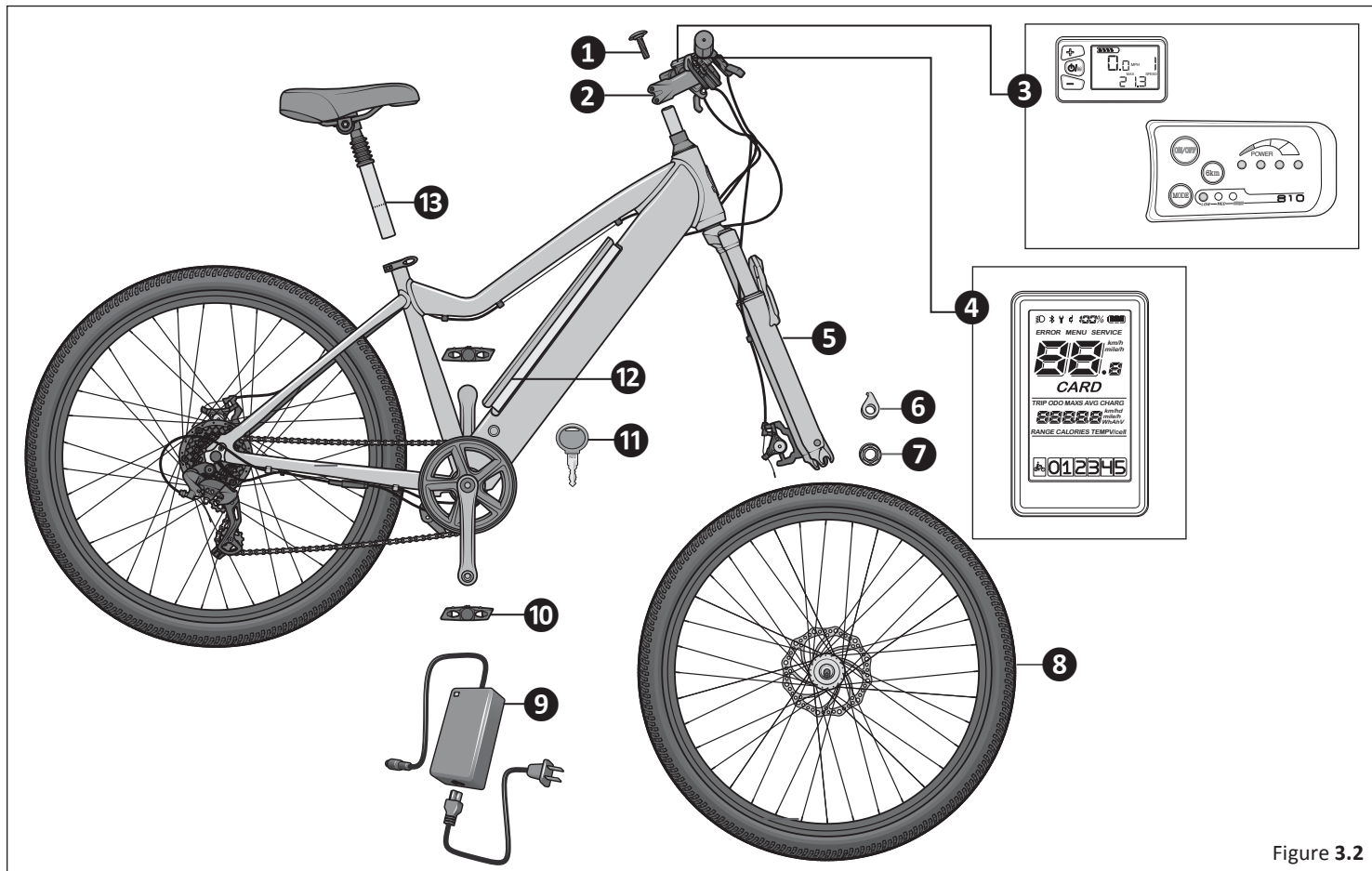


Figure 3.2

C.3.2 ASSEMBLY PARTS FOR EXTERIOR BATTERY

The following components are exclusive to the Schwinn Mountain ebike. **Note: Your ebike parts will vary depending on your model. Ensure you have all the following parts. Figure 3.2**

No.	Part name	Qty.
1	Handlebar top cap	1
2	Handlebar assembly	1
3	Keypad	1
4	Display unit	1
5	ebike main frame front wheel	1
6	Hook washer	2
7	Wheel nut	2
8	Front wheel	1
9	Battery charger	1
10	Pedal	2
11	Battery key	1
12	Battery	1
13	Seat and seat tube assembly	1

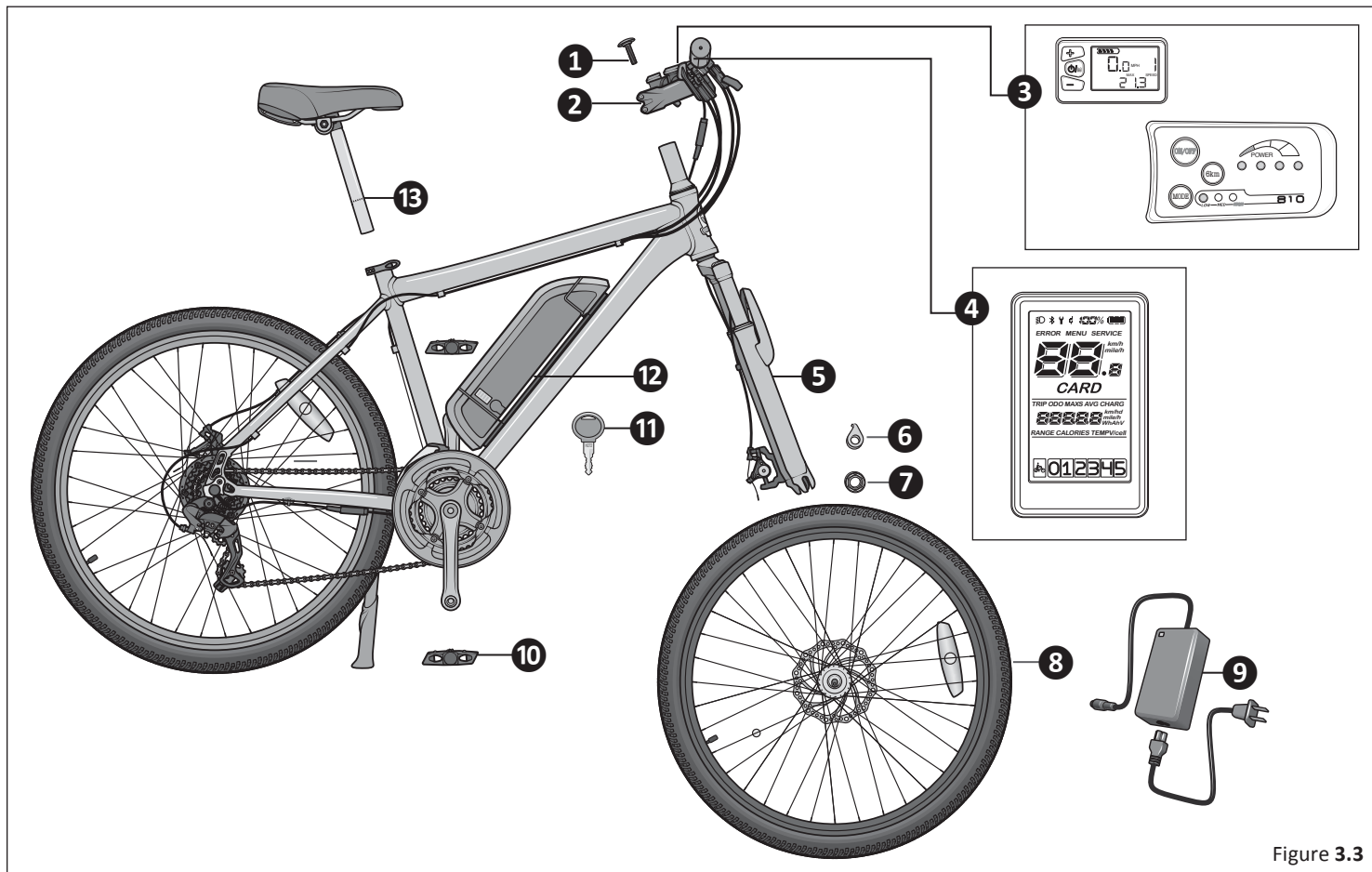


Figure 3.3

C.4 ATTACH THE FRONT WHEEL

WARNING!

Failure to properly tighten the nuts holding the wheels onto the ebike may result in poor riding performance, the tire falling off and serious injury or death. Be sure the wheels are securely attached to the frame before using the ebike.

Parts: Front wheel, main frame assembly

Hardware: 2 large nuts, 2 hook washers

Tools: 15 mm open and box end wrench, Adjustable Pliers

Note: *Tire tread patterns have a direction, compare your front tire and rear tire of the bicycle so that both tread patterns face the same direction.*

- 1** Place the front wheel into the fork openings. Be sure both sides of the axle rest on the fork and the wheel is centered. **Figure 3.4**
- 2** Insert the disc rotor into the center of the disc brake at the same time you are inserting the wheel axle into the fork dropout. **Figure 3.5**
- 3** Insert the hook washer onto the axle with the hooked end inserted into the small hole on the fork dropout.
- 4** Place the nut on the axle and loosely tighten.
- 5** Place the remaining hook washer and nut on the opposite side and loosely tighten. **Do not tighten the wheels nuts at this time.**

- 5** Check that the wheel is centered, and inspect the wheel for even rotation.

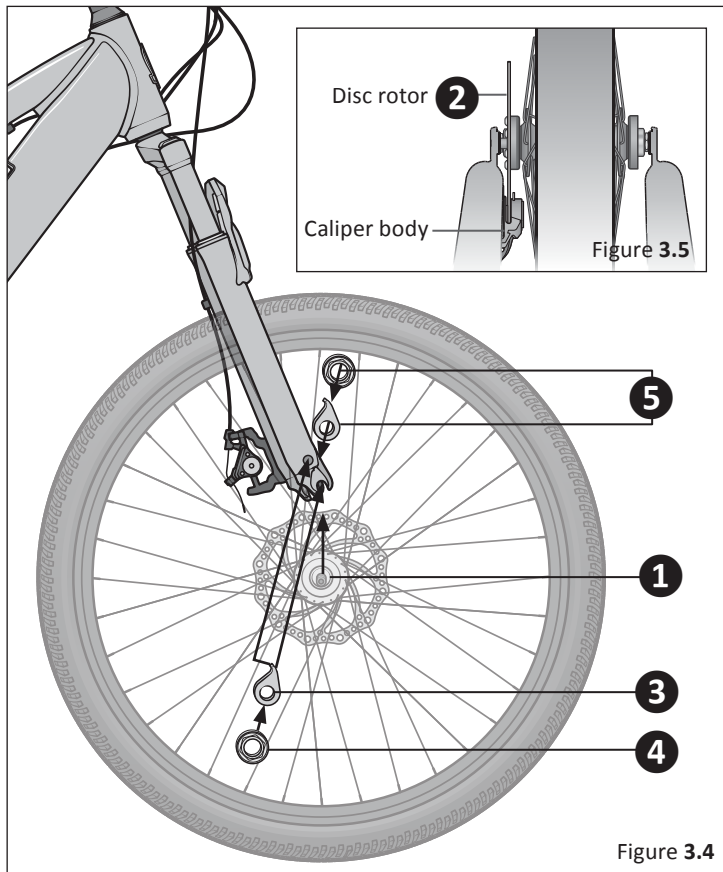


Figure 3.4

C.5 ATTACH THE HANDLEBAR

WARNING!

Improper attachment of the handlebar may result in damage to the stem post, steerer tube and result in loss of control, serious injury or death.

Failure to properly tighten handlebar components may result in loss of control, serious injury or death. Always check the handlebar cannot move and is secured to the frame before riding the bicycle.

Parts: Handlebar, main frame

Tools: 6 mm allen wrench, grease

Important! Do not disassemble the headset or lose any parts. Be sure the end of the fork is on the ground or being held with your free hand, because once you loosen the top cap the fork assembly may fall out of the frame.

- 1 Turn the front fork to face forward (i.e. the fork dropout is in the furthest forward position). **Figure 3.6**
- 2 Using a 5 mm Allen wrench loosen the top cap bolt on the steerer tube and remove the top cap and bolt. **Important! Do not** remove the spacers.
- 3 Position the handlebar assembly over the steerer tube. Look at all the cables to be sure they run in a smooth arc from the shifter or brake lever to the front brake or cable stop on the frame. **Important!** If they are twisted or kinked, the shifting and braking will not work.
- 4 While holding the fork assembly in place, use a 6 mm Allen wrench and loosen the stem pinch bolts. Slide the handlebar assembly onto the steerer tube.
- 5 Align and center the stem to the fork and wheel. Tighten the stem pinch bolts until there is no play between the stem and stem tube. **Note:** There should be a 3 to 5 mm (1/8" - 3/16") gap between the top of the stem and stem post. **Figure 3.7**

- 6 Place the top cap onto the top of the steerer tube. Insert and tighten the top cap bolt until it is snug. **Do not over tighten.**
- 7 Using a 5 mm Allen wrench tighten the top cap bolt. Do the following checks to determine if the headset is properly set. Tighten or loosen the top cap bolt if necessary.
- Lift up the front wheel of the bicycle, if the wheel **does not** move freely left to right the headset is too tight.
 - Hold the handlebar, close the brakes and rock the fork back and forth. If you hear a knock or clunking sound the headset is too loose.

Note: If needed, see **Section A.3.3 Handlebar Height and Angle** for information on aligning the handlebar.

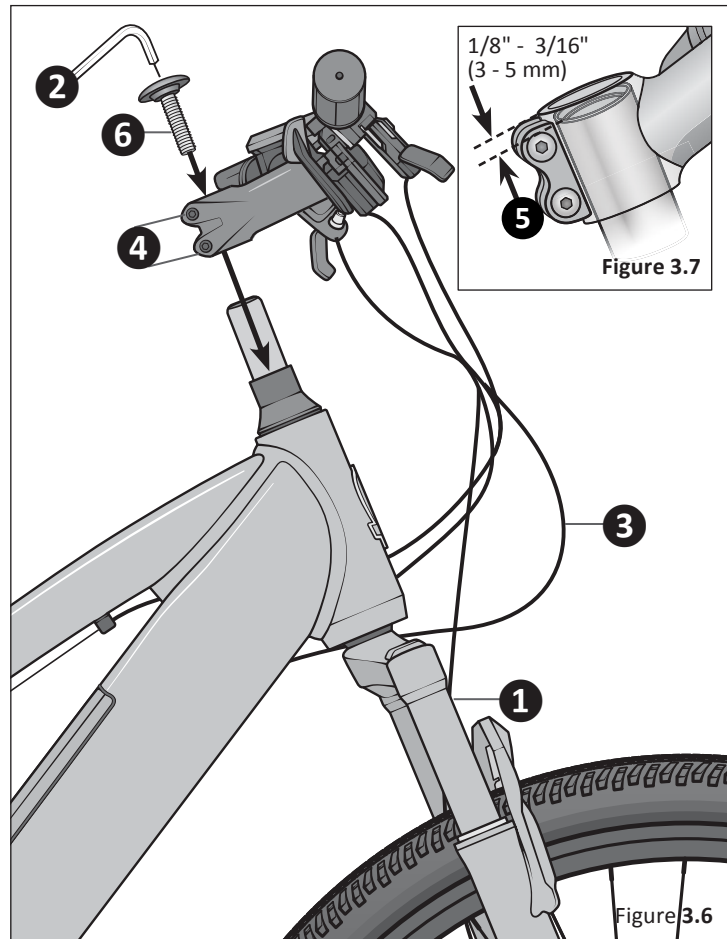


Figure 3.6

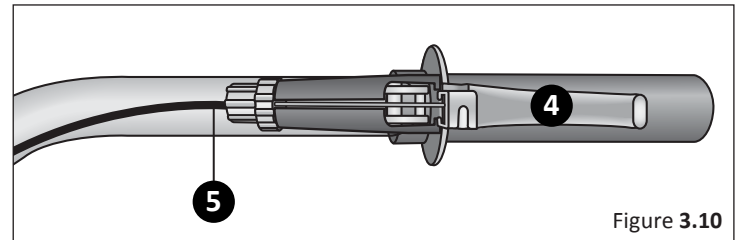
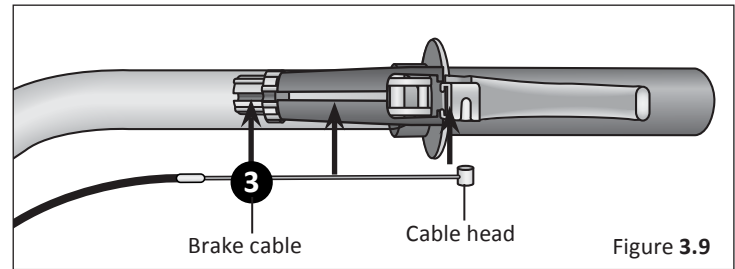
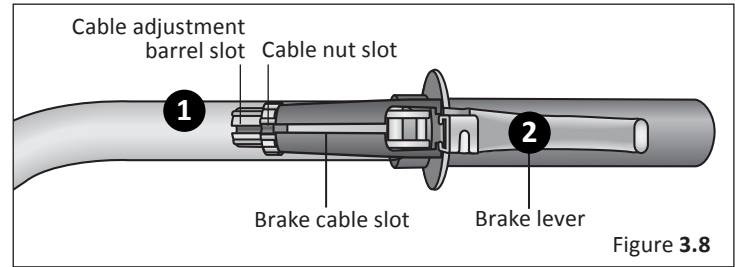
C.6 ATTACH THE BRAKE CABLES

⚠️ WARNING!

Failure to properly set the brakes may result in the inability to stop the ebike movement and cause serious injury or death. Be sure the brakes are functioning properly before using the ebike.

Follow these steps if the brake cables are not attached to the brake levers:

- 1 Rotate the cable adjustment barrel and cable nut until the slots are aligned with the slot on the brake lever body. **Figure 3.8**
- 2 Press the brake lever towards the grip.
- 3 Insert cable head into the brake lever then rotate making sure cable goes through the slots. **Figure 3.9**
- 4 Release the brake lever. **Figure 3.10**
- 5 Lightly pull on the cable and rotate the cable nut and cable barrel so they are no longer aligned.



C.7 ATTACH THE SEAT

⚠ WARNING!

Improperly **adjusted seat height could affect the rider's ability to reach the handlebar and pedals** resulting in unexpected movement, loss of control and serious injury or death. Follow these guidelines when adjusting the seat height. Always ensure the seat post **minimum insertion marks** are below the seat clamp and **cannot** be seen. Ensure the seat clamp is locked and the seat cannot move.

The seat assembly should be adjusted with the seat centered on the rails and level. It is recommended to add some grease to all threads and binders on a bicycle, especially on the outside of the seat post. Otherwise it may corrode over time and not be able to be adjusted again.

1 Unlock the quick-release lever and insert the seat post into the seat tube. **Figure 3.11**

2 Adjust the seat height up or down until the rider feels they have control of the bicycle and are comfortable.

Important! Be sure the **minimum insertion marks** do not go past the top of the seat clamp and are **not** visible. **Figure 3.12**

3 Close the quick-release lever and lock the seat in place. If there is not enough pressure to hold the seat in place open the quick-release lever. With one hand on the quick-release lever and one hand on the adjustment nut, start to hand tighten the adjustment nut until you start to feel some

resistance against the post clamp. **Do not** attempt to tighten by turning the quick-release lever. The quick-release lever is for closing, the adjustment nut is for adjusting the pressure.

4 Try to close the quick-release lever. If it closes easily, open it up and tighten the adjustment nut further. If it is too difficult to close, open the quick-release lever up and loosen the adjustment nut a little and try again.

Important! You should feel resistance when you close the quick-release lever that should leave a temporary impression on your fingers. Open and close the handle to ensure the seat is securely locked in place.

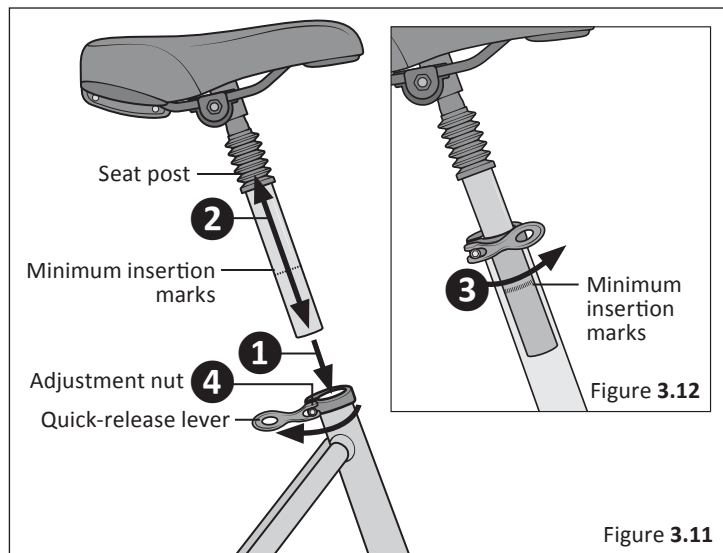


Figure 3.11

C.8 ATTACH THE PEDALS

⚠ WARNING!

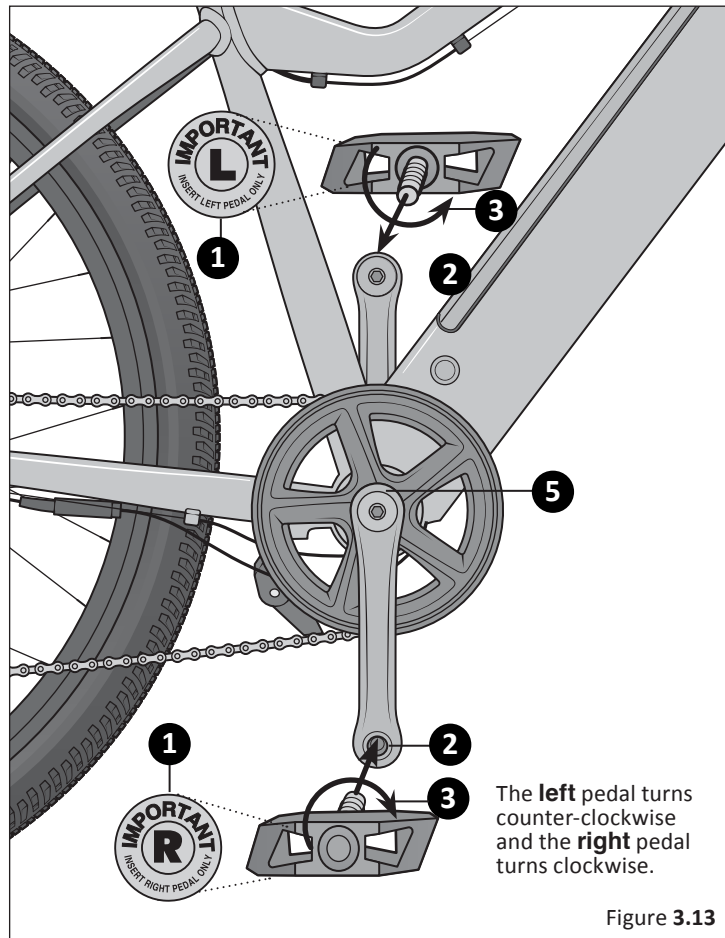
Attachment of an incorrect pedal into a crank arm can strip pedal threads and cause irreparable damage. Visually match the R and L stickers on the pedal and crank arm before attaching the pedals. Before your first ride, please check to ensure your pedals are attached correctly.

It is very important that you check the crank set for correct adjustment and tightness before riding your bicycle.

- 1 Match the pedal marked **R** with the right-hand crank arm and match the pedal marked **L** with the left-hand crank arm.

Figure 3.13

- 2 Place the threaded pedal into the hole on the crank arm.
- 3 By hand, slowly turn the spindle the correct direction. Clockwise for right side pedal, counterclockwise for left side pedal. **Important!** Stop if you feel resistance! This may be an indication the spindle is entering the hole at an angle. Remove the spindle and repeat step two.
- 4 If the spindle is entering the hole cleanly then use a 15 mm wrench or pliers to tighten completely.
- 5 Tighten the crank axle nuts using an appropriate wrench.



The **left** pedal turns counter-clockwise and the **right** pedal turns clockwise.

Figure 3.13

D The E-bike Battery

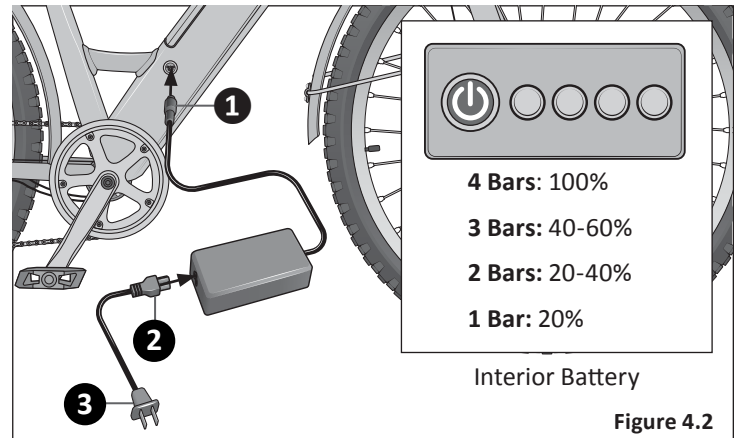
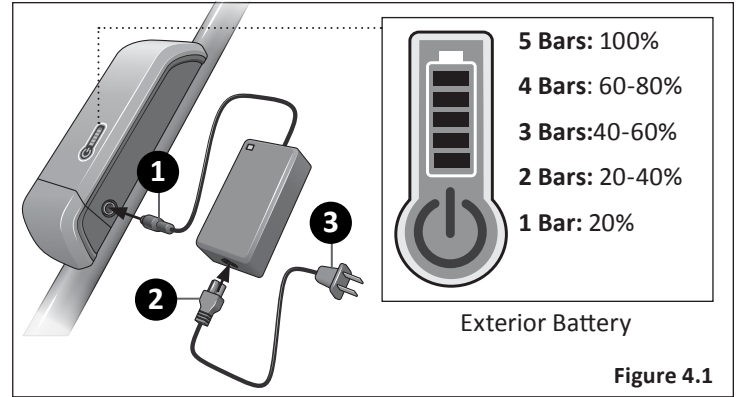
D.1 CHARGING THE BATTERY

- 1 Insert the charger probe into the charger port on the e-bike battery. **Figure 4.1 - 4.2**
- 2 Insert the pronged end of the battery cord into the battery charger.
- 3 Insert the AC plug into an AC outlet.
- 4 The red indicator light turns on and will remain red until it is fully charged. The indicator light turns green once the battery is fully charged.

Note: Only use the battery charger that is provided with your e-bike to charge the battery.

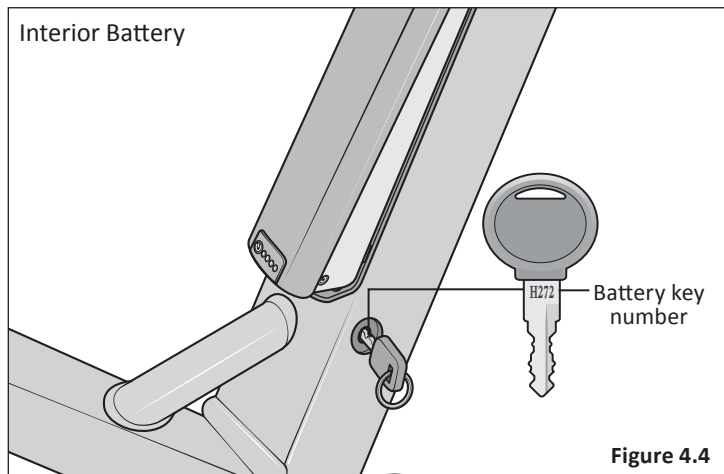
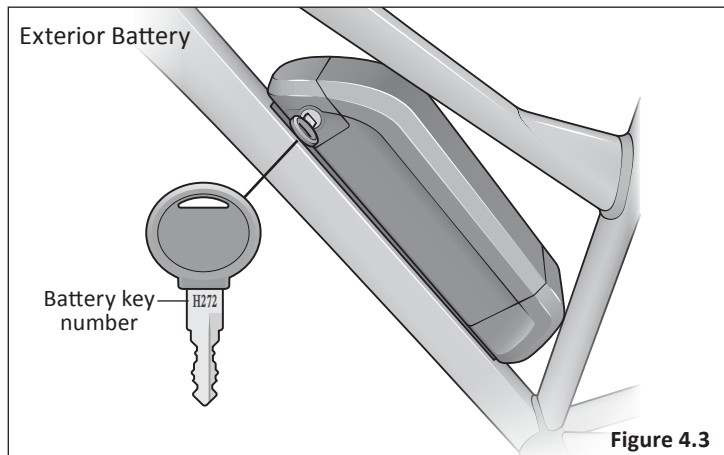
D.1.1 BATTERY CAPACITY LEVELS

The level indicator on the top of the battery shows the power level remaining in the battery.



D.1.2 THE BATTERY KEYS

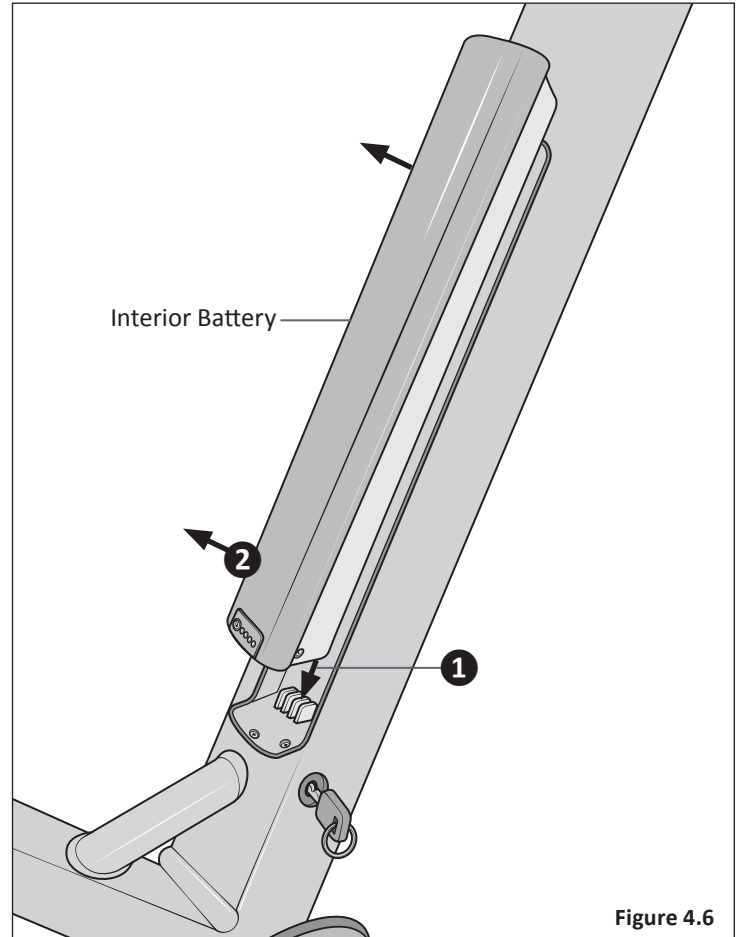
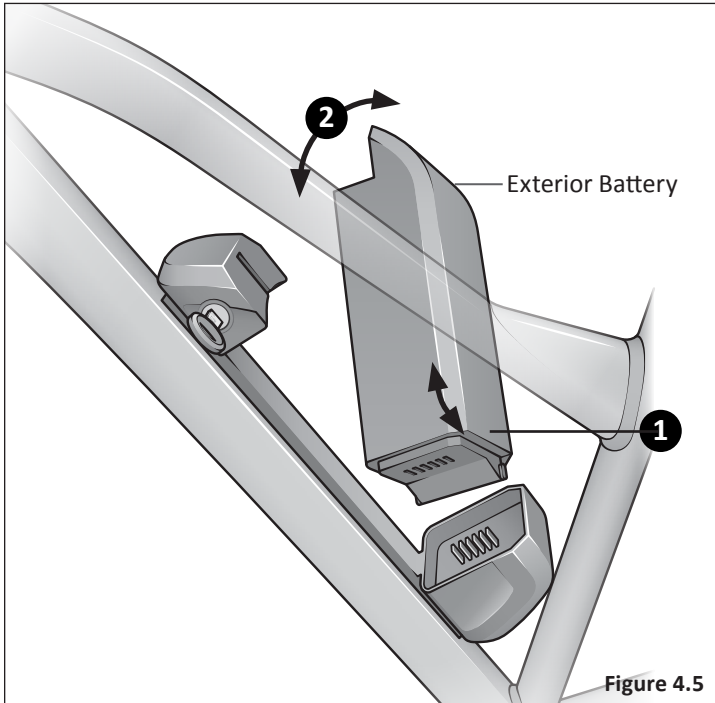
- Do not ride the e-bike while the key is in the battery lock.
- Always keep the battery compartment locked.
- **If a replacement battery key is needed, you will need to provide the number found on the key. Write the key number down and keep it in a safe place. Figure 4.3 - 4.4**
- The battery lock can become dry and difficult to use after prolonged riding.
- **Tip!** Whenever you lubricate your bike chain, place a few drops of chain oil on the key, insert the key and operate the lock, then remove and wipe the key clean.



D.1.3 BATTERY INSERTION AND REMOVAL

To Insert the battery:

- 1 Insert the battery into battery bracket until the prongs on the bracket are completely inserted into the slots of the battery.
- 2 To remove, unlock the battery and pull out. **Figure 4.5 - 4.6**



D.1.4 BATTERY MAINTENANCE

- Keep the battery away from severe vibrations, impact, extrusion, direct sunshine and water.
- Examine the battery and charger for damage, especially the cable, plug and housing. Do not charge the battery if either are visibly damaged.

D.1.5 CARE

Use a damp cloth to clean the battery and the plastic housing.

D.1.6 TRANSPORTING AND STORING THE BATTERY

Before storing for long periods: Fully discharge the battery, then charge the battery for 2 - 3 hours.

- Store the battery in a well ventilated area.
- During storage you should charge the battery every 2 months.
- Store the battery in a clean, dry area.
- Do not store the battery near corrosive materials.
- Do not store the battery near heat sources.
- Disconnect the battery from the power source before storing.
- Store the battery in temperatures between 32° F - 131° F, with a relative humidity of 5 - 65% RH
- The battery can be transported by sea, air, and automobile.
- The battery should be packed into a carton when transporting.

FCC WARNING

WARNING!

Any changes or modifications to this unit not expressly approved by the party responsible for compliance could void the user's authority to operate the equipment.

Note: This equipment has been tested and found to comply with the limits for a Class B digital device, pursuant to part 15 of the FCC Rules. These limits are designed to provide reasonable protection against harmful interference in a residential installation. This equipment generates, uses and can radiate radio frequency energy and, if not installed and used in accordance with the instructions, may cause harmful interference will not occur in a particular installation. If this equipment does cause harmful interference to radio or television reception, which can be determined by turning the equipment off and on, the user is encouraged to try to correct the interference by one or more of the following measures:

- Reorient or relocate the receiving antenna.
- Increase the separation between the equipment and receiver.
- Connect the equipment into an outlet on a circuit different from that to which the receiver is connected.

D.1.7 BATTERY TROUBLESHOOTING

Problem	Cause	Solution
No output voltage	Cable is disconnected from the battery.	Connect the output cable/wire to the battery according to the manual.
Power indicator off	Battery is out of power. Display unit is not fully docked.	Charge the battery. Check display unit is fully docked.
The battery cannot be charged	The connections between the charger, battery and/or outlet are not totally connected. Battery is already fully-charged.	Check the connections to the battery, charger and outlet and make sure they are completely connected.

D.2 THE E-BIKE DISPLAY

The e-bike comes equipped with different styles of computers. The following information may vary depending on your model.

D.2.1 ATTACH THE DISPLAY TO THE BRACKET

Note: Not all models come equipped with a computer display.

- 1 Slide the display into the display bracket until it snaps into place. **Figure 4.7**
- 2 Adjust the angle of the display so it can be easily viewed while riding. **Figure 4.8**

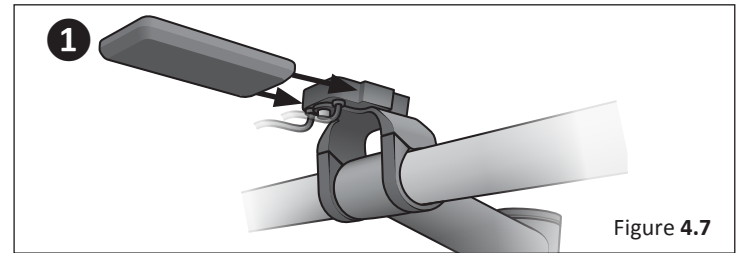


Figure 4.7

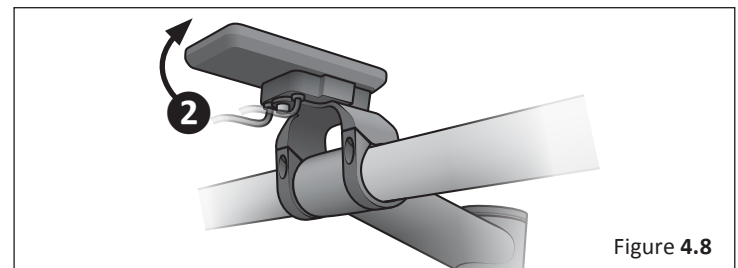


Figure 4.8

D.2.2 TURNING THE E-BIKE ON AND OFF

E-bike Display with Keypad

- 1 Press and hold the power button for 2 seconds to power on the display. **Figure 4.9**
- 2 Press and hold the power button again for two seconds to power off the display.

Note: If the bike is not used, after 5 minutes the display will automatically turn off.

D.2.3 E-BIKE WITH POWER ASSIST ADJUSTER

- 3 Press the power button to power on the computer on. **Figure 4.9**

Note: Displays will vary depending on your model.

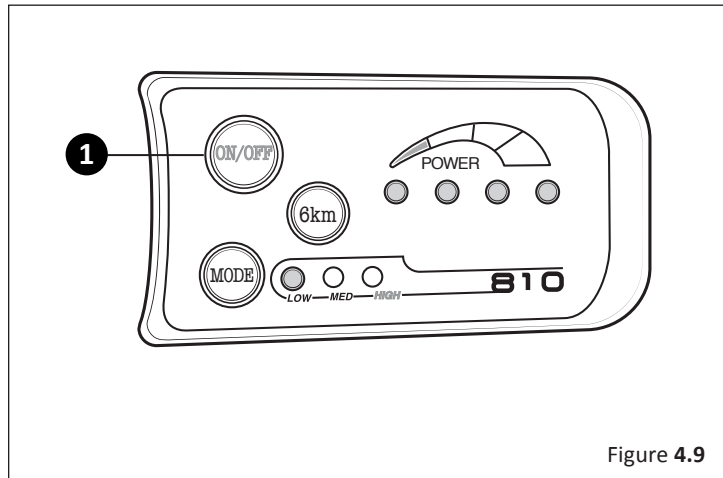


Figure 4.9

D.2.4 E-BIKE DISPLAY OVERVIEW

For detailed information on your e-bike display please see the e-bike display manual that is shipped with your e-bike.

Note: *Display styles and menu modes will vary depending on your model.*

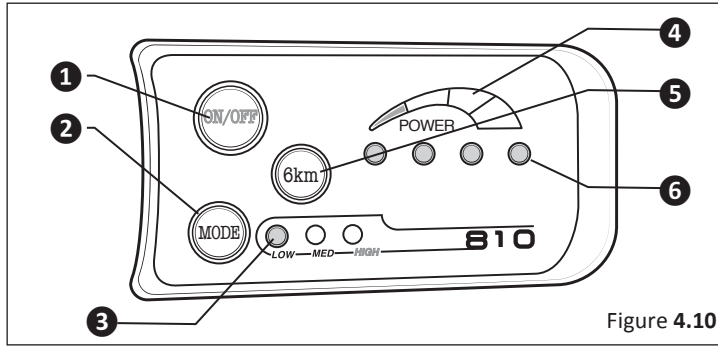







Figure 4.10

- 1 **Power button:** Press and hold for 3 seconds to turn the system on. If the system does not turn on, make sure the battery has been energized by pushing the “ON” button located on the battery itself. **Figure 4.10**
- 2 **Assist adjustment:** Using the “mode” or “+” and “-” buttons, depending on model, adjust the level of assist based on conditions. **Figure 4.10**
- 3 **Assist level:** Depending on your model the display has 3 or 5 indicators for the level of assist chosen. **Figure 4.10**
- 4 **Battery level indicator:** Depending on the model, the display has a 5-bar indicator showing battery charge. **Figure 4.10**
- 5 **Walk assist:** If so equipped, press and hold the 6KM/h button to engage the walk assist mode. This provides a small assist to help if you are walking your bike up an incline. **Figure 4.10**
- 6 **Error:** If a system error occurs, the display lights will flash in a specific sequence. See the display manual or call Schwinn Customer Service to diagnose. **Figure 4.10**

D.3 DISPLAY AND KEYPAD INFORMATION

Display **Figure 4.14**

- 1 Light indicator: The light icon , displays when the light is on.
- 2 Bluetooth indicator: .
- 3 Maintenance indicator: .
- 4 USB charging indicator: displays the  icon if an external USB device is connected to the display.
- 5 Battery indicator: Displays battery capacity in real time.
- 6 Service: please see the service section.
- 7 Speed unit.
- 8 Speed mode: MAXS: top speed, AVG: Average speed.
- 9 Unit indicator.
- 10 Temperature of cells indicator.
- 11 Calories: Energy Consumption (only with torque sensor fitted)
- 12 Support level.
- 13 Walking assistance .
- 14 Range: Remaining distance.
- 15 Display Data: corresponds to the current mode.
- 16 Mileage indicator, TRIP: Daily kilometers, ODO: Total kilometers.
- 17 Key card indicator.
- 18 Speed indicator.

- 19 Error code indicator.
- 20 Menu.

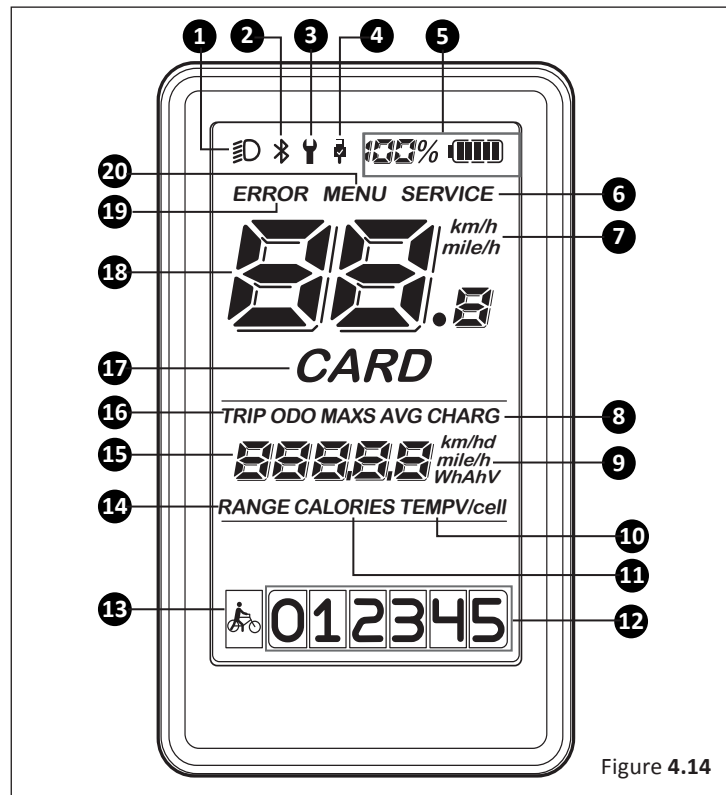
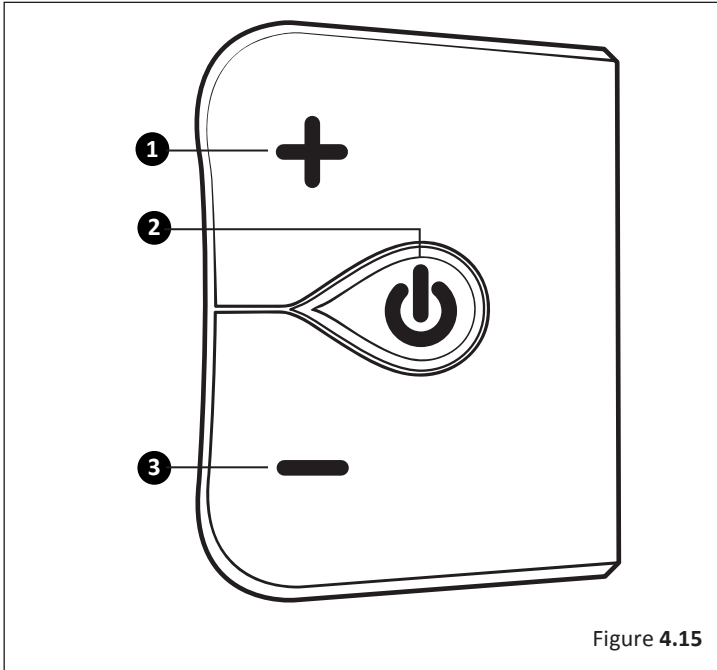


Figure 4.14



Key Pad **Figure 4.15**

- ① Up
- ② System On/Off
- ③ Down



D.4 NORMAL OPERATION

D.4.1 SWITCHING THE SYSTEM ON/OFF

Press and hold  >2S on the display to turn on the system. Press and hold  >2S again to turn off the system.

If the **automatic shutdown time** is set to 5 minutes (it can be set with the "Auto Off" function. See **Auto Off**, the display will automatically be turned off within the desired time when it is not in operation.

D.4.2 SELECTION OF SUPPORT LEVELS

When the display is turned on, press + the or — <0.5S button to switch to the support level, the lowest level is **1**, the highest level is **5**. When the system is switched on, the support level starts in level **1**. There is no support at level null. **Figure 4.10**

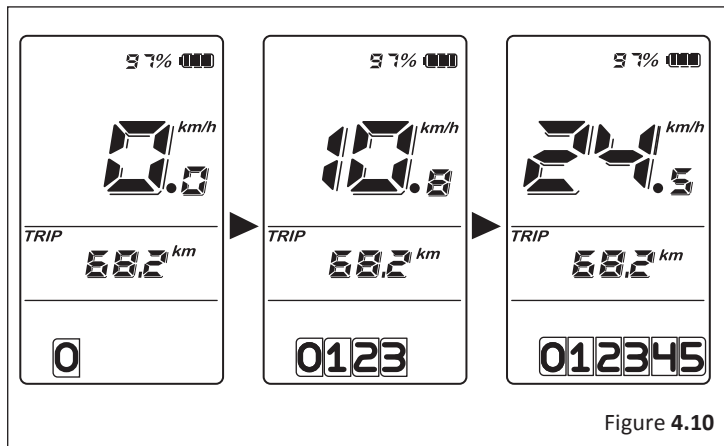



Figure 4.10

D.4.2 SELECTION MODE

Briefly press <0.5s  button to view the different trip modes. **Figure 4.11**

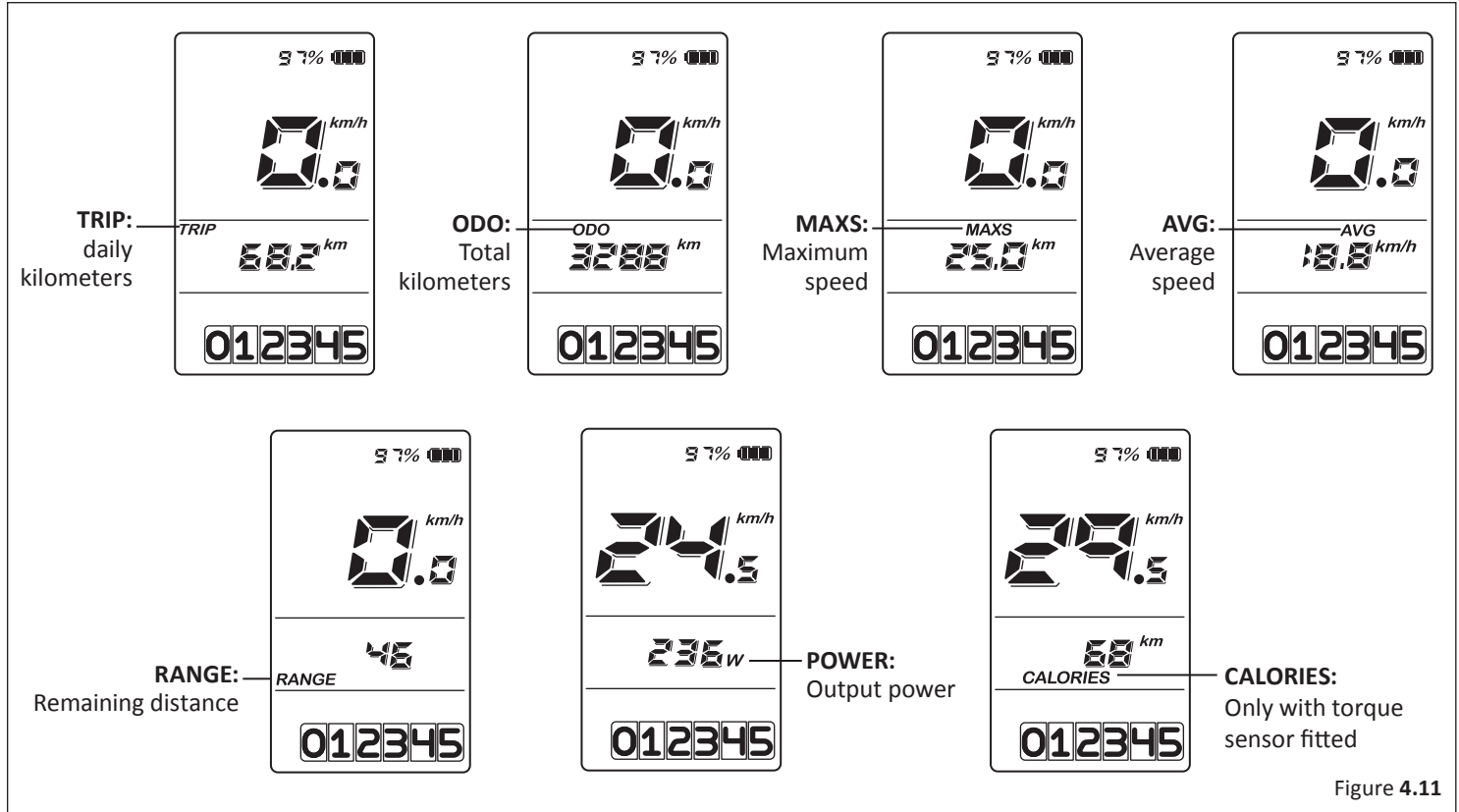
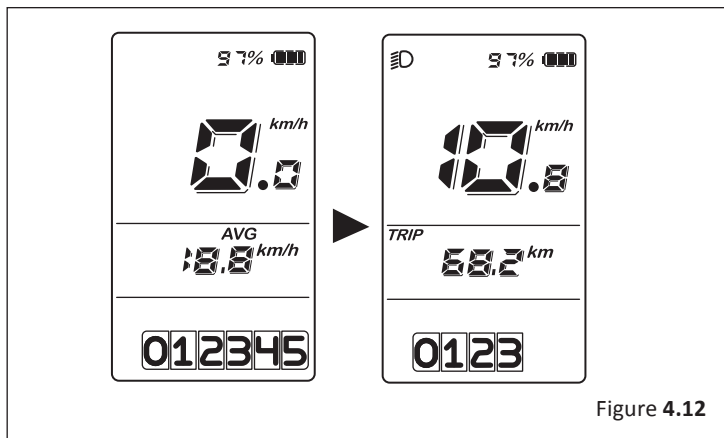



Figure 4.11


D.4.3 HEADLIGHTS / BACKLIGHTING

- 1 Hold the + >2S button to activate the headlight and taillights.
- 2 Hold the + >2S button again to turn off the headlight.
The brightness of the backlight can be set in the display settings **Brightness**. If the display /Pedelec is turned on in a dark environment, the display backlight/ headlight will be turned on automatically. If the display backlight/headlight has been manually switched off, the automatic sensor function is deactivated. You can only turn on the light manually. After switching on the system again. **Figure 4.12**

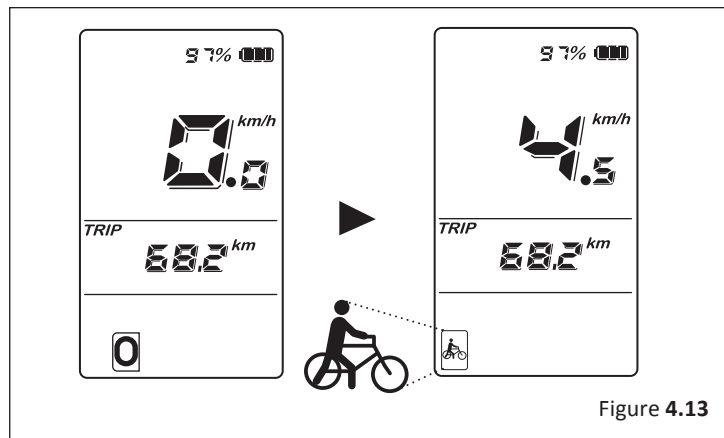


D.4.4 WALK ASSISTANCE

The Walk assistance can only be activated with a standing pedelec. Activation: Briefly press <0.5S the — button until to level null, and then press <0.5S the — button, the  symbol is displayed.

Now hold down the — button and the Walk assistance will activate. The  symbol will flash and the pedelec moves approximately 6 km/h. After releasing the button, the motor stops automatically and switches back to level null (if no any option be activated in 5 second). **Figure 4.13**

If no speed signal is detected, it shows 2.5km/h.



E TECH

It's important to your safety, performance and enjoyment to understand how things work on your bicycle. We urge you to contact customer service for how to do the things described in this section before you attempt them yourself. If you have even the slightest doubt as to whether you understand something in this section of the manual, contact customer service.

E.1 Wheels

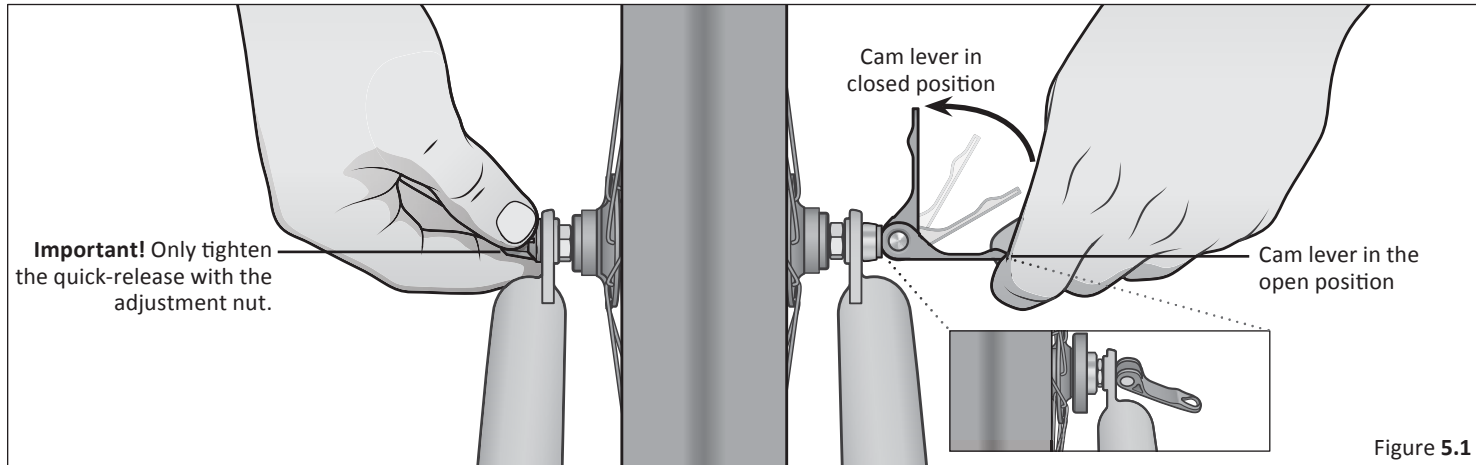
Bicycle wheels are designed to be removable for easier transportation and for repair of a tire puncture. In most cases, the wheel axles are inserted into slots, called “dropouts” in the fork

and frame, but some mountain and road bikes use what is called a “through axle” wheel mounting system.

If you have a mountain or road bike equipped with through axle front or rear wheels, make sure that your dealer has given you the manufacturer's instructions, and follow those when installing or removing a through axle wheel. If you don't know what a through axle is, contact customer service.

If you do not have a bicycle with a through-axle wheel mounting system, it will have wheels secured in one of three ways:

1. A hollow axle with a shaft **skewer** running through it which has



an adjustable tension nut on one end and an over-center cam on the other (cam action system, **Figure 5.1**)

2. A hollow axle with a shaft *skewer* running through it which has a nut on one end and a fitting for a hex key, lock lever or other tightening device on the other (through bolt, **Figure 5.2**)
3. Hex nuts or hex key bolts which are threaded on to or into the hub axle (bolt-on wheel)

It is very important that you understand the type of wheel securing method on your bicycle, that you know how to secure the wheels correctly, and that you know how to apply the correct clamping force that safely secures the wheel. Contact customer service to instruct you in correct wheel removal and installation, and ask him to give you any available manufacturer's instructions.

⚠ WARNING!

Riding with an improperly secured wheel can allow the wheel to wobble or fall off the bicycle, which can cause serious injury or death.

Therefore, it is essential that you:

1. Understand and apply the correct technique for clamping your wheel in place.
2. Each time, before you ride the bike, check that the wheel is securely clamped.

The clamping action of a correctly secured wheel must emboss the surfaces of the dropout.

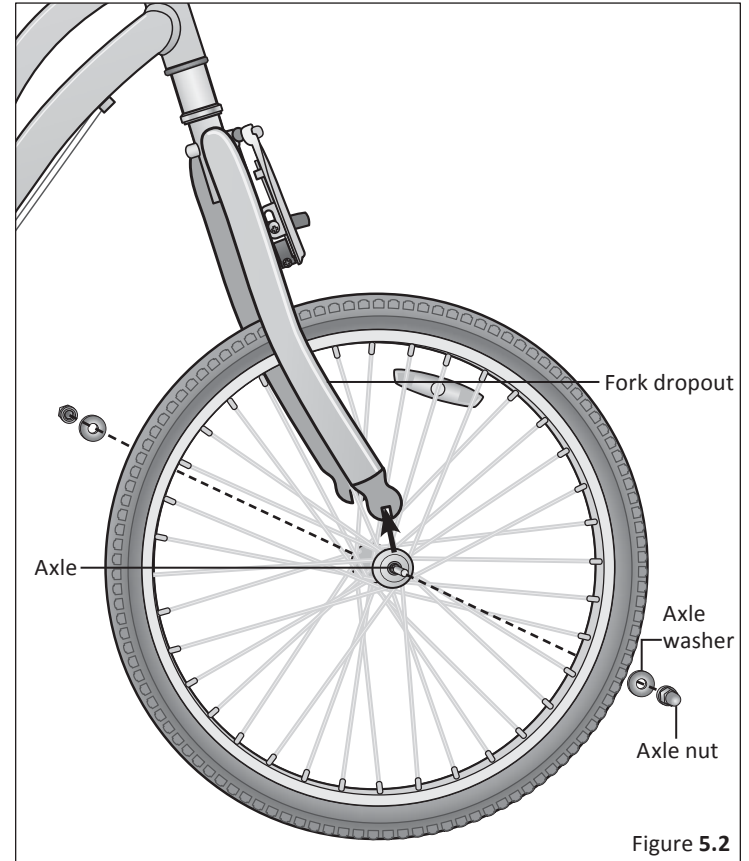


Figure 5.2

1. Front Wheel Secondary Retention Devices

Most bicycles have front forks that utilize a secondary wheel retention device to reduce the risk of the wheel disengaging from the fork if the wheel is incorrectly secured. Secondary retention devices are not a substitute for correctly securing your front wheel.

Secondary retention devices fall into two basic categories:

- A. The clip-on type is a part that the manufacturer adds to the front wheel hub or front fork.
- B. The integral type is molded, cast or machined into the outer faces of the front fork dropouts.

Contact customer service to explain the particular secondary retention device on your bike.

WARNING!

Do not remove or disable the secondary retention device. As its name implies, it serves as a back-up for a critical adjustment. If the wheel is not secured correctly, the secondary retention device can reduce the risk of the wheel disengaging from the fork. Removing or disabling the secondary retention device may also void the warranty.

Secondary retention devices are not a substitute for correctly securing your wheel. Failure to properly secure the wheel can cause the wheel to wobble or disengage, which could cause you to lose control and fall, resulting in serious injury or death.

2. Wheels with cam action systems

There are currently two types of over-center cam wheel retention mechanisms: the traditional over-center cam (**Figure 5.1**) and the cam-and-cup system (**Figure 5.1**). Both use an over-center cam action to clamp the bike's wheel in place. Your bicycle may have a cam-and-cup front wheel retention system and a traditional rear wheel cam action system.

- A. Adjusting the traditional cam action mechanism (**Figure 5.1**) The wheel hub is clamped in place by the force of the over-center cam pushing against one dropout and pulling the tension adjusting nut, by way of the skewer, against the other dropout. The amount of clamping force is controlled by the tension adjusting nut. Turning the tension adjusting nut clockwise while keeping the cam lever from rotating increases clamping force; turning it counterclockwise while keeping the cam lever from rotating reduces clamping force. Less than half a turn of the tension adjusting nut can make the difference between safe clamping force and unsafe clamping force.

WARNING!

The full force of the cam action is needed to clamp the wheel securely. Holding the nut with one hand and turning the lever like a wing nut with the other hand until everything is as tight as you can get it will not clamp a cam action wheel safely in the dropouts. See also the first WARNING in this Section.

B. Adjusting the cam-and-cup mechanism (Figure 5.1)

The cam-and-cup system on your front wheel will have been correctly adjusted for your bicycle by your dealer. Ask your dealer to check the adjustment every six months. **Do not use a cam-and-cup front wheel on any bicycle other than the one for which your dealer adjusted it.**

3. Removing and Installing wheels

⚠ WARNING!

If your bike is equipped with a hub brake such as a rear coaster brake, front or rear drum, band or roller brake; or if it has an internal gear rear hub, do not attempt to remove the wheel. The removal and re-installation of most hub brakes and internal gear hubs requires special knowledge. Incorrect removal or assembly can result in brake or gear failure, which can cause you to lose control and fall.

⚠ CAUTION!

If your bike has a disc brake, exercise care in touching the rotor or caliper. Disc rotors have sharp edges, and both rotor and caliper can get very hot during use.

A. Removing a disk brake or rim brake Front Wheel

1. If your bike has rim brakes, disengage the brake's quick-release mechanism to increase the clearance between the tire and the brake pads.
2. If your bike has cam action front wheel retention, move the cam lever from the locked or CLOSED position to the OPEN position (Figure 5.1). If your bike has through bolt or bolt-on front wheel retention, loosen the fastener(s) a few turns counter-clockwise using an appropriate wrench, lock key or the integral lever.
3. If your front fork has a clip-on type secondary retention device, disengage it. If your front fork has an integral secondary retention device, and a traditional cam action system (Figure 5.1) loosen the tension adjusting nut enough to allow removing the wheel from the dropouts. If your front wheel uses a cam-and-cup system, (Figure 5.1) squeeze the cup and cam lever together while removing the wheel. No rotation of any part is necessary with the cam-and-cup system.

You may need to tap the top of the wheel with the palm of your hand to release the wheel from the front fork.

B. Installing a disk brake or rim brake Front Wheel

⚠ CAUTION!

If your bike is equipped with a front disk brake, be careful not to damage the disk, caliper or brake pads when re-inserting the disk into the caliper. Never activate a disk brake's control lever unless the disk is correctly inserted in the caliper. See also **Section 4.C**.

1. If your bike has cam action front wheel retention, move the cam lever so that it curves away from the wheel (**Figure 5.1**). This is the OPEN position. If your bike has through bolt or bolt-on front wheel retention, go to the next step.
2. With the steering fork facing forward, insert the wheel between the fork blades so that the axle seats firmly at the top of the fork dropouts. The cam lever, if there is one, should be on rider's left side of the bicycle (**Figure 5.1**). If your bike has a clip-on type secondary retention device, engage it.
3. If you have a traditional cam action mechanism: holding the cam lever in the ADJUST position with your right hand, tighten the tension adjusting nut with your left hand until it is finger tight against the fork dropout (**Figure 5.1**). If you have a cam-and-cup system: the nut and cup (**Figure 5.1**) will have snapped into the recessed area of the fork dropouts and no adjustment should be required.

4. While pushing the wheel firmly to the top of the slots in the fork dropouts, and at the same time centering the wheel rim in the fork.
 - A. With a cam action system, move the cam lever upwards and swing it into the CLOSED position (**Figure 5.1**). The lever should now be parallel to the fork blade and curved toward the wheel. To apply enough clamping force, you should have to wrap your fingers around the fork blade for leverage, and the lever should leave a clear imprint in the palm of your hand.
 - B. With a through-bolt or bolt-on system, tighten the fasteners to the torque specifications in **Appendix C** or the hub manufacturer's instructions.

NOTE: *If, on a traditional cam action system, the lever cannot be pushed all the way to a position parallel to the fork blade, return the lever to the OPEN position. Then turn the tension adjusting nut counterclockwise one-quarter turn and try tightening the lever again.*

5. With a through-bolt or bolt-on system, tighten the fasteners to the torque specifications in **Appendix C** or the hub manufacturer's instructions.

⚠ WARNING!

Securely clamping the wheel with a cam action retention device takes considerable force. If you can fully close the cam lever without wrapping your fingers around the fork blade for leverage, the lever does not leave a clear imprint in the palm of your hand, and the serrations on the wheel fastener do not emboss the surfaces of the dropouts, the tension is insufficient. Open the lever; turn the tension adjusting nut clockwise a quarter turn; then try again. See also the first WARNING in this Section.

6. If you disengaged the brake quick-release mechanism, re-engage it to restore correct brake pad-to-rim clearance.
7. Spin the wheel to make sure that it is centered in the frame and clears the brake pads; then squeeze the brake lever and make sure that the brakes are operating correctly.

C. Removing a disk brake or rim brake Rear Wheel

1. If you have a multi-speed bike with a derailleur gear system: shift the rear derailleur to high gear (the smallest, outermost rear sprocket).

If you have an internal gear rear hub, consult your dealer or the hub manufacturer's instructions before attempting to remove the rear wheel.

If you have a single-speed bike with rim or disk brake, go to step (4) below.

2. If your bike has rim brakes, disengage the brake's quick-release mechanism to increase the clearance between the wheel rim and the brake pads.
3. On a derailleur gear system, pull the derailleur body back with your right hand.
4. With a cam action mechanism, move the quick-release lever to the OPEN position (fig. 8b). With a through bolt or bolt on mechanism, loosen the fastener(s) with an appropriate wrench, lock lever or integral lever; then push the wheel forward far enough to be able to remove the chain from the rear sprocket.
5. Lift the rear wheel off the ground a few inches and remove it from the rear dropouts.

D. Installing a disk brake or rim brake Rear Wheel

⚠ CAUTION!

If your bike is equipped with a rear disk brake, be careful not to damage the disk, caliper or brake pads when re-inserting the disk into the caliper. Never activate a disk brake's control lever unless the disk is correctly inserted in the caliper.

1. With a cam action system, move the cam lever to the OPEN position (see **Figure 5.1**). The lever should be on the side of the wheel opposite the derailleur and freewheel sprockets.

2. On a derailleur bike, make sure that the rear derailleur is still in its outermost, high gear, position; then pull the derailleur body back with your right hand. Put the chain on top of the smallest freewheel sprocket.
3. On single-speed, remove the chain from the front sprocket, so that you have plenty of slack in the chain. Put the chain on the rear wheel sprocket.
4. Then, insert the wheel into the frame dropouts and pull it all the way in to the dropouts.
5. On a single speed or an internal gear hub, replace the chain on the chainring; pull the wheel back in the dropouts so that it is straight in the frame and the chain has about 1/4 inches of up-and-down play.
6. With a cam action system, move the cam lever upwards and swing it into the CLOSED position (fig. 8 a & b). The lever should now be parallel to the seat stay or chain stay and curved toward the wheel. To apply enough clamping force, you should have to wrap your fingers around the fork blade for leverage, and the lever should leave a clear imprint in the palm of your hand.
7. With a through-bolt or bolt-on system, tighten the fasteners to the torque specifications in **Appendix C** or the hub manufacturer's instructions.

Note: *If, on a traditional cam action system, the lever cannot be pushed all the way to a position parallel to the seat stay or chain stay, return the lever to the OPEN position. Then turn the tension adjusting nut counterclockwise one-quarter turn and try tightening the lever again.*

⚠ WARNING!

Securely clamping the wheel with a cam action retention device takes considerable force. If you can fully close the cam lever without wrapping your fingers around the seat stay or chain stay for leverage, the lever does not leave a clear imprint in the palm of your hand, and the serrations on the wheel fastener do not emboss the surfaces of the dropouts, the tension is insufficient. Open the lever; turn the tension adjusting nut clockwise a quarter turn; then try again. See also the first WARNING in this Section.

8. If you disengaged the brake quick-release mechanism in 3. c. (2) above, re-engage it to restore correct brake pad-to-rim clearance.
9. Spin the wheel to make sure that it is centered in the frame and clears the brake pads; then squeeze the brake lever and make sure that the brakes are operating correctly.

E.2 Seat Post Cam Action Clamp

Some bikes are equipped with a cam action seat post binder. The seat post cam action binder works exactly like the traditional wheel cam action fastener (**Section 4.A.2**). While a cam action binder looks like a long bolt with a lever on one end and a nut on the other, the binder uses an over-center cam action to firmly clamp the seat post (see **Figure 5.1**).

⚠ WARNING!

Riding with an improperly tightened seat post can allow the saddle to turn or move and cause you to lose control and fall.

Therefore:

1. Ask your dealer to help you make sure you know how to correctly clamp your seat post.
2. Understand and apply the correct technique for clamping your seat post.
3. Before you ride the bike, first check that the seat post is securely clamped.

E.2.1 Adjusting the seat post cam action mechanism

The action of the cam squeezes the seat collar around the seat post to hold the seat post securely in place. The amount of clamping force is controlled by the tension adjusting nut. Turning the tension adjusting nut clockwise while keeping the cam lever from rotating increases clamping force; turning it counterclockwise while keeping the cam lever from rotating reduces clamping force. Less than half a turn of the tension adjusting nut can make the difference between safe and unsafe clamping force.

⚠ WARNING!

The full force of the cam action is needed to clamp the seat post securely. Holding the nut with one hand and turning the lever like a wing nut with the other hand until everything is as tight as you can get it will not clamp the seat post safely.

If you can fully close the cam lever without wrapping your fingers around the seat post or a frame tube for leverage, and the lever does not leave a clear imprint in the palm of your hand, the tension is insufficient. Open the lever; turn the tension adjusting nut clockwise a quarter turn; then try again.

E.3 Brakes

There are three general types of bicycle brakes: rim brakes, which operate by squeezing the wheel rim between two brake pads; **disc brakes**, which operate by squeezing a hub-mounted disc between

two brake pads; and internal hub brakes. All three can be operated by way of a handlebar mounted lever. On some models of bicycle, the internal hub brake is operated by pedaling backwards.

WARNING!

1. Riding with improperly adjusted brakes, worn brake pads, or wheels on which the rim wear mark is visible is dangerous and can result in serious injury or death.
2. Applying brakes too hard or too suddenly can lock up a wheel, which could cause you to lose control and fall. Sudden or excessive application of the front brake may pitch the rider over the handlebars, which may result in serious injury or death.
3. Some bicycle brakes, such as **disc brakes** (Figure 5.8) and **linear-pull brakes** (Figure 5.9), are extremely powerful. Take extra care in becoming familiar with these brakes and exercise particular care when using them.
4. Some bicycle brakes are equipped with a brake force modulator, a small, cylindrical device through which the brake control cable runs and which is designed to provide a more progressive application of braking force. A modulator makes the initial brake lever force more gentle, progressively increasing force until full force is achieved. If your bike is equipped with a brake force modulator, take extra care in becoming familiar with its performance characteristics. Some brake force modulators are adjustable. If you don't like the feel of your brakes, ask your dealer about adjusting the brake force modulation.
5. Disc brakes can get extremely hot with extended use. Be careful not to touch a disc brake until it has had plenty of time to cool.
6. See the brake manufacturer's instructions for operation and care of your brakes, and for when brake pads must be replaced. If you do not have the manufacturer's instructions, see your dealer or contact the brake manufacturer.
7. If replacing worn or damaged parts, use only manufacturer-approved genuine replacement parts.

E.3.1 Brake controls and features

It's very important to your safety that you learn and remember which brake lever controls which brake on your bike. Traditionally, in the U.S. the right brake lever controls the rear brake and the left brake lever controls the front brake (**Figure 5.4**);

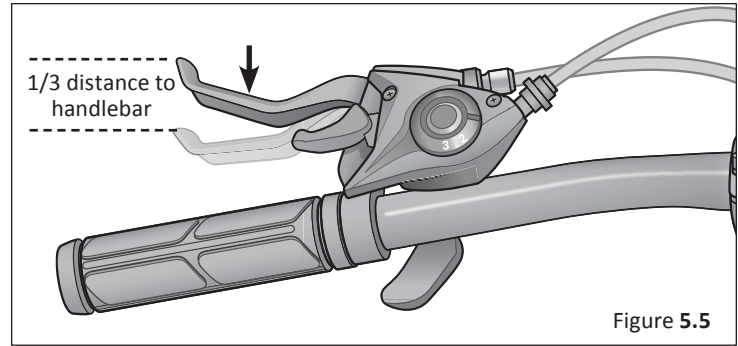
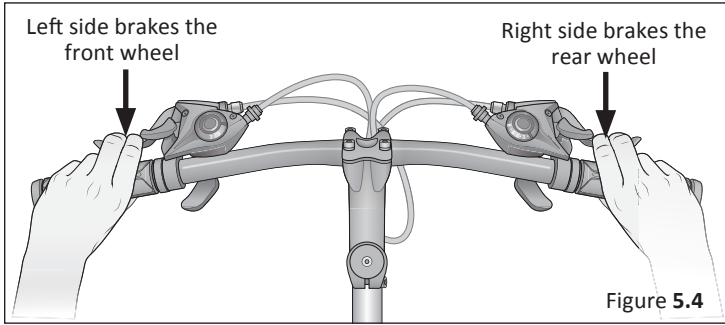


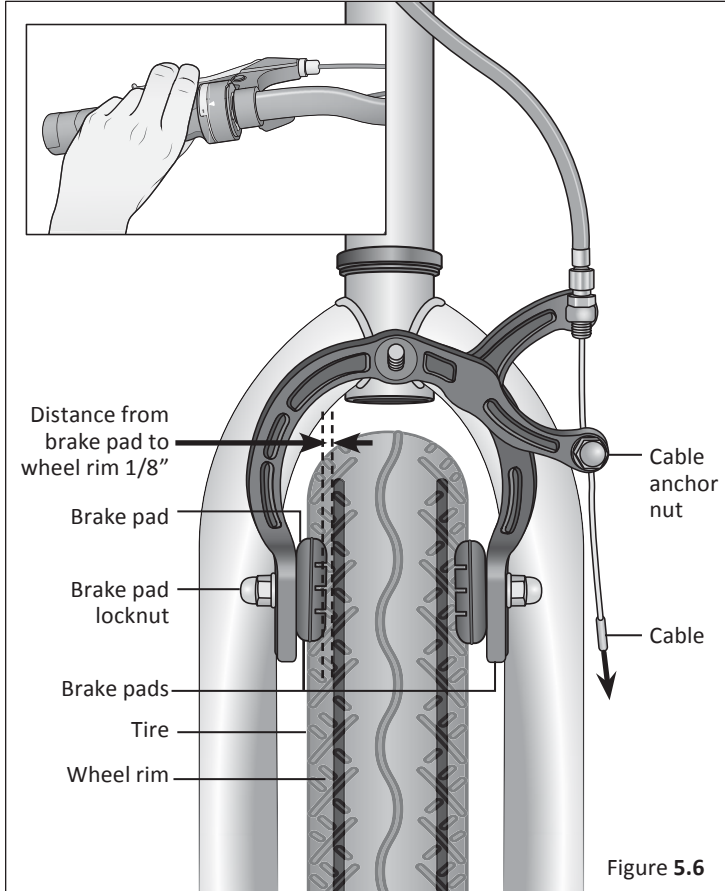
Figure 5.5

Most rim brakes have some form of quick-release mechanism to allow the brake pads to clear the tire when a wheel is removed or reinstalled. When the brake quick release is in the open position, the brakes are inoperative. Ask your dealer to make sure that you understand the way the brake quick release works on your bike (**see Figure 5.6–5.9**) and check each time to make sure both brakes work correctly before you get on the bike.

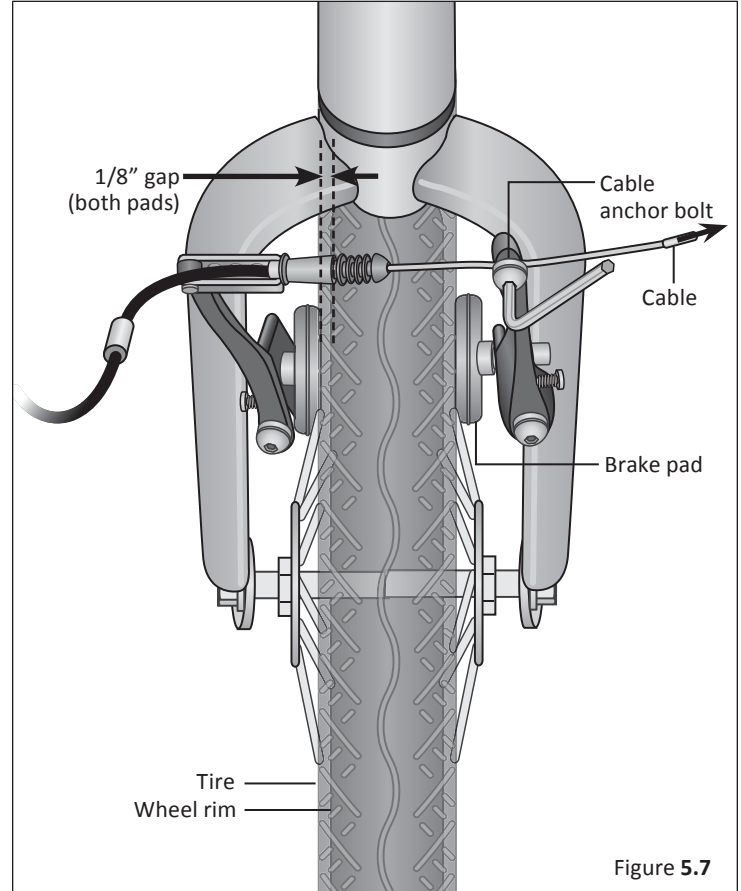
to check how your bike's brakes are set up, squeeze one brake lever and look to see which brake, front or rear, engages. Now do the same with the other brake lever.

Make sure that your hands can reach and squeeze the brake levers comfortably. If your hands are too small to operate the levers comfortably, consult your dealer before riding the bike. The lever reach may be adjustable; or you may need a different brake lever design. (**Figure 5.5**)

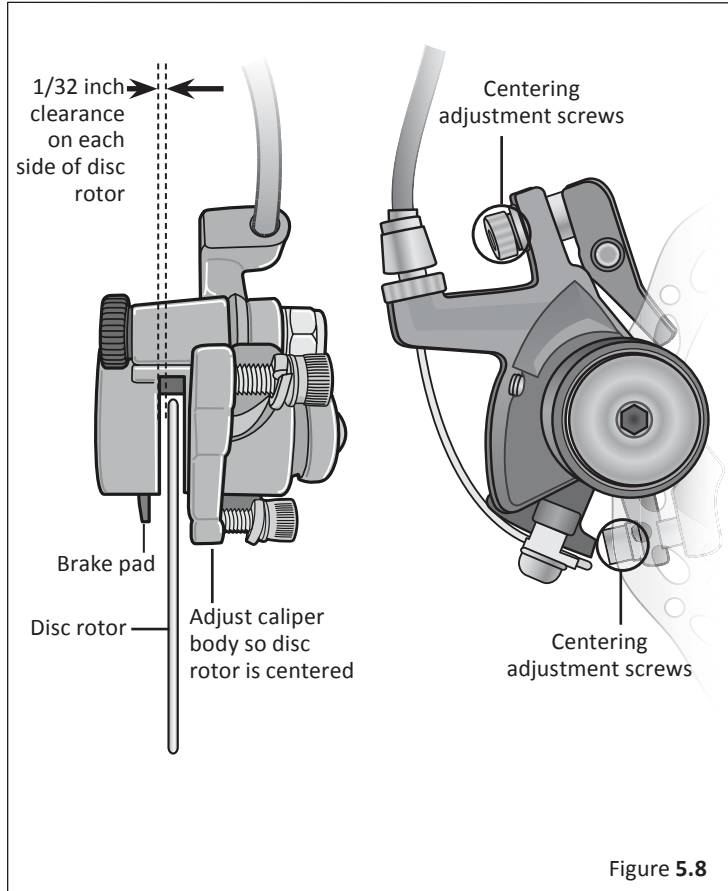
Example of Side-pull Caliper Brakes



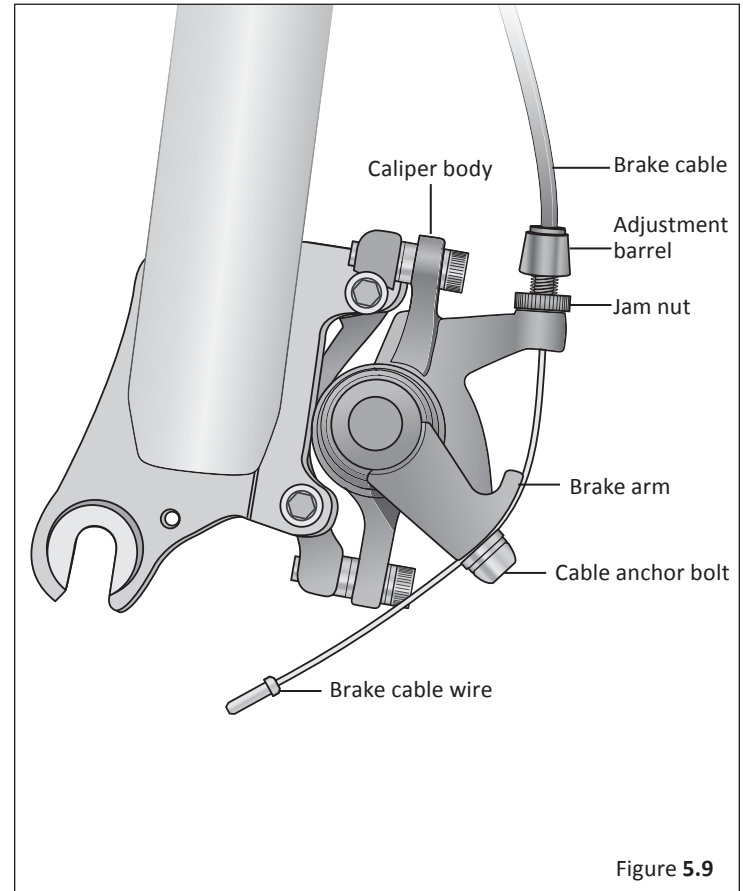
Example of Linear Pull Brakes



Example of Disc Brakes



Example of Brake Cable Connected to Brake Arm



E.3.2 How brakes work

The braking action of a bicycle is a function of the friction between the braking surfaces. To make sure that you have maximum friction available, keep your wheel rims and brake pads or the disk rotor and caliper clean and free of dirt, lubricants, waxes or polishes.

Brakes are designed to control your speed, not just to stop the bike. Maximum braking force for each wheel occurs at the point just before the wheel “locks up” (stops rotating) and starts to skid. Once the tire skids, you actually lose most of your stopping force and all directional control. You need to practice slowing and stopping smoothly without locking up a wheel. The technique is called progressive brake modulation. Instead of jerking the brake lever to the position where you think you’ll generate appropriate braking force, squeeze the lever, progressively increasing the braking force. If you feel the wheel begin to lock up, release pressure just a little to keep the wheel rotating just short of lockup. It’s important to develop a feel for the amount of brake lever pressure required for each wheel at different speeds and on different surfaces. To better understand this, experiment a little by walking your bike and applying different amounts of pressure to each brake lever, until the wheel locks.

When you apply one or both brakes, the bike begins to slow, but your body wants to continue at the speed at which it was going. This causes a transfer of weight to the front wheel (or, under heavy braking, around the front wheel hub, which could send you flying over the handlebars).

A wheel with more weight on it will accept greater brake pressure before lockup; a wheel with less weight will lock up with less brake pressure.

So, as you apply brakes and your weight is transferred forward, you need to shift your body toward the rear of the bike, to transfer weight back on to the rear wheel; and at the same time, you need to both decrease rear braking and increase front braking force. This is even more important on descents, because descents shift weight forward.

Two keys to effective speed control and safe stopping are controlling wheel lockup and weight transfer. This weight transfer is even more pronounced if your bike has a front suspension fork. Front suspension “dips/compresses/dives” under braking, increasing the weight transfer (*see also Section 4.F*). Practice braking and weight transfer techniques where there is no traffic or other hazards and distractions.

Everything changes when you ride on loose surfaces or in wet weather. It will take longer to stop on loose surfaces or in wet weather. Tire adhesion is reduced, so the wheels have less cornering and braking traction and can lock up with less brake force. Moisture or dirt on the brake pads reduces their ability to grip. The way to maintain control on loose or wet surfaces is to go more slowly.

E.3.3 Shifting gears

Your multi-speed bicycle will have a derailleur drivetrain (see 1. below), an internal gear hub drivetrain (see 2. below) or, in some special cases, a combination of the two.

1. How a derailleur drivetrain works

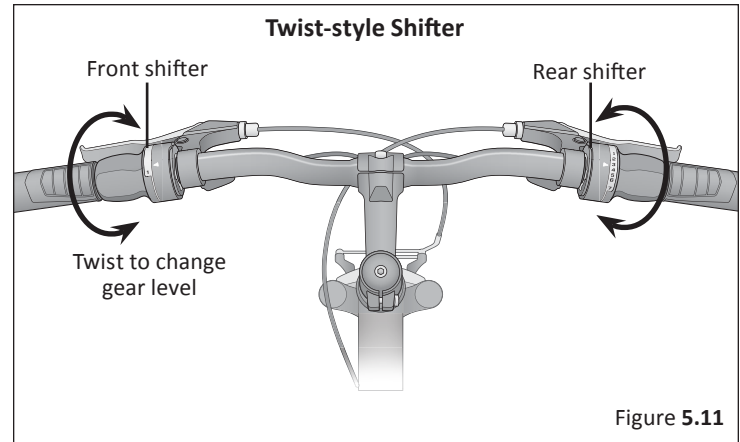
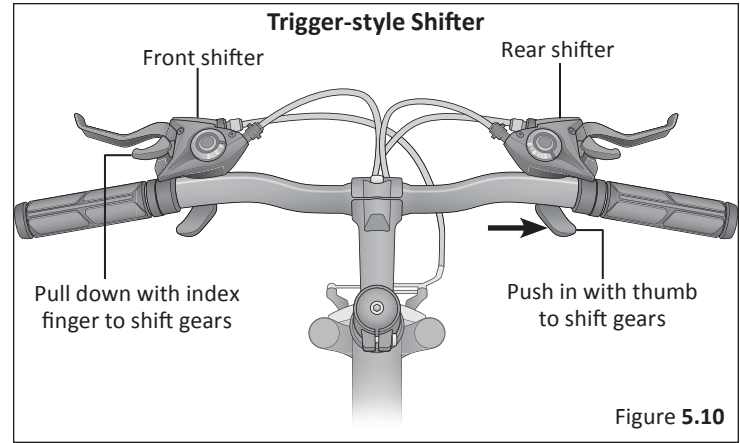
If your bicycle has a derailleur drivetrain, the gear-changing mechanism will have:

- a rear cassette or freewheel sprocket cluster
- a rear derailleur
- usually a front derailleur
- one or two shifters
- one, two or three front sprockets called chainrings
- a drive chain

A. Shifting Gears

There are several different types and styles of shifting controls: levers, twist grips, triggers, (see **Figure 5.10** and **Figure 5.11**) combination shift/brake controls and push-buttons. Ask your dealer to explain the type of shifting controls that are on your bike, and to show you how they work.

The vocabulary of shifting can be pretty confusing. A downshift is a shift to a “lower” or “slower” gear, one that is easier to pedal. An upshift is a shift to a “higher” or “faster”, harder to pedal gear. What’s confusing is that what’s happening at the front derailleur is the opposite of



what's happening at the rear derailleur (for details, read the instructions on Shifting the Rear Derailleur and Shifting the Front Derailleur below). For example, you can select a gear which will make pedaling easier on a hill (make a downshift) in one of two ways: shift the chain down the gear "steps" to a smaller gear at the front, or up the gear "steps" to a larger gear at the rear. So, at the rear gear cluster, what is called a downshift looks like an upshift. The way to keep things straight is to remember that shifting the chain in towards the centerline of the bike is for accelerating and climbing and is called a downshift. Moving the chain out or away from the centerline of the bike is for speed and is called an upshift.

Whether upshifting or downshifting, the bicycle derailleur system design requires that the drive chain be moving forward and be under at least some tension. A derailleur will shift only if you are pedaling forward.

CAUTION!

Never move the shifter while pedaling backward, nor pedal backwards immediately after having moved the shifter. This could jam the chain and cause serious damage to the bicycle.

B. Shifting the Rear Derailleur

The rear derailleur is controlled by the right shifter.

The function of the rear derailleur is to move the drive chain from one gear sprocket to another. The smaller sprockets on the gear cluster produce higher gear ratios. Pedaling in the higher gears requires greater pedaling effort, but takes you a greater distance with each revolution of the pedal cranks. The larger sprockets produce lower gear ratios. Using them requires less pedaling effort, but takes you a shorter distance with each pedal crank revolution. Moving the chain from a smaller sprocket of the gear cluster to a larger sprocket results in a downshift. Moving the chain from a larger sprocket to a smaller sprocket results in an upshift. In order for the derailleur to move the chain from one sprocket to another, the rider must be pedaling forward.

C. Shifting the Front Derailleur:

The front derailleur, which is controlled by the left shifter, shifts the chain between the larger and smaller chainrings. Shifting the chain onto a smaller chainring makes pedaling easier (a downshift). Shifting to a larger chainring makes pedaling harder (an upshift).

D. Which gear should I be in?

The combination of largest rear and smallest front gears (**Figure 5.12**) is for the steepest hills. The smallest rear and largest front combination is for the greatest speed. It is not necessary to shift gears in sequence. Instead, find the “starting gear” which is right for your level of ability — a gear which is hard enough for quick acceleration but easy enough to let you start from a stop without wobbling — and experiment with upshifting and downshifting to get a feel for the different gear combinations. At first, practice shifting where there are no obstacles, hazards or other traffic, until you’ve built up your confidence. Learn not to use either the “smallest to smallest” or “largest to largest” gear combinations because they may cause unacceptable stress on the drive train. Learn to anticipate the need to shift, and shift to a lower gear before the hill gets too steep. If you have difficulties with shifting, the problem could be mechanical adjustment. See your dealer for help.

E. What if it won't shift gears?

If moving the shift control one click repeatedly fails to result in a smooth shift to the next gear chances are that the mechanism is out of adjustment. Take the bike to your dealer to have it adjusted.

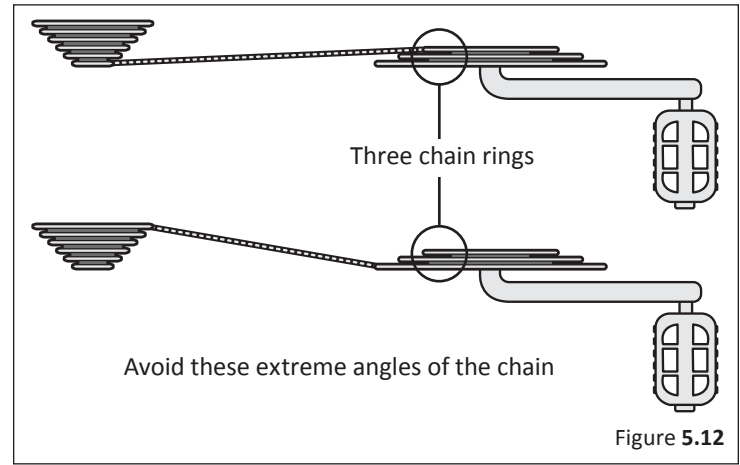


Figure 5.12

⚠ WARNING!

Never shift a derailleur onto the largest or the smallest sprocket if the derailleur is not shifting smoothly. The derailleur may be out of adjustment and the chain could jam, causing you to lose control and fall.

E.4 Tires and Tubes

⚠ WARNING!

Some bicycles intended for competition are fitted with tires that are glued on to specially made rims. These are called “sew-up” or “tubular” tires. Properly mounting these tires requires specialized knowledge and skills. Ask your dealer to teach you how to mount tubulars before you attempt it on your own. An incorrectly installed tubular tire can come off the rim, causing you to lose control and fall.

E.4.1 Tires

Bicycle tires are available in many designs and specifications, ranging from general-purpose designs to tires designed to perform best under very specific weather or terrain conditions. If, once you’ve gained experience with your new bike, you feel that a different tire might better suit your riding needs, customer service can help you select the most appropriate design.

The size, pressure rating, and on some high-performance tires the specific recommended use, are marked on the sidewall of the tire (Figure 5.14). The part of this information which is most important to you is Tire Pressure. But some wheel rim manufacturers also specify maximum tire pressure with a label on the rim.

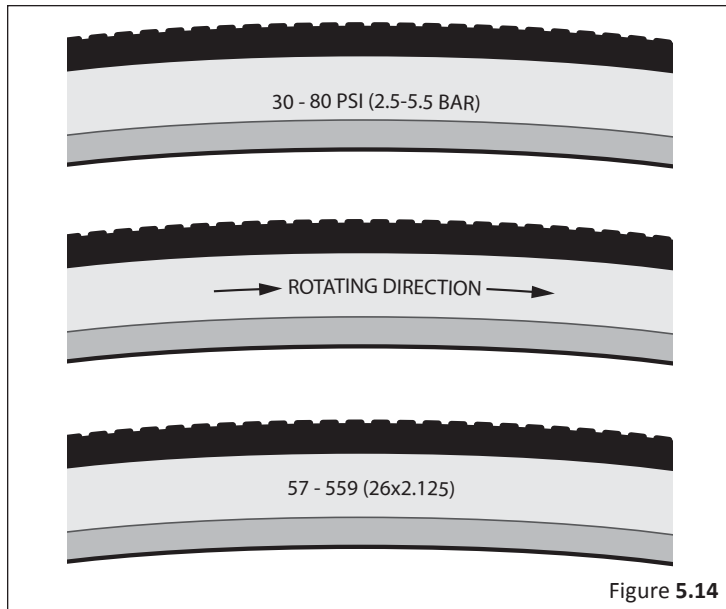


Figure 5.14

⚠ WARNING!

Never inflate a tire beyond the maximum pressure marked on the tire’s sidewall or the wheel rim. If the maximum pressure rating for the wheel rim is lower than the maximum pressure shown on the tire, always use the lower rating. Exceeding the recommended maximum pressure may blow the tire off the rim or damage the wheel rim, which could cause damage to the bike and injury to the rider and bystanders.

The best and safest way to inflate a bicycle tire to the correct pressure is with a bicycle pump that has a built-in pressure gauge.

WARNING!

There is a safety risk in using gas station air hoses or other air compressors. They are not made for bicycle tires. They move a large volume of air very rapidly, and will raise the pressure in your tire very rapidly, which could cause the tube to explode.

Tire pressure is given either as maximum pressure or as a pressure range. How a tire performs under different terrain or weather conditions depends largely on tire pressure. Inflating the tire to near its maximum recommended pressure gives the lowest rolling resistance; but also produces the harshest ride. High pressures work best on smooth, dry pavement.

Very low pressures, at the bottom of the recommended pressure range, give the best performance on smooth, slick terrain such as hard-packed clay, and on deep, loose surfaces such as deep, dry sand.

Tire pressure that is too low for your weight and the riding conditions can cause a puncture of the tube by allowing the tire to deform sufficiently to pinch the inner tube between the rim and the riding surface. This may also result in rim damage.

CAUTION!

Pencil type automotive tire gauges can be inaccurate and should not be relied upon for consistent, accurate pressure readings. Instead, use a high quality dial or digital gauge.

Ask your dealer to recommend the best tire pressure for the kind of riding you will most often do, and have the dealer inflate your tires to that pressure. Then, check inflation so you'll know how correctly inflated tires should look and feel when you don't have access to a gauge. Some tires may need to be brought up to pressure every week or two, so it is important to check your tire pressures before every ride.

Some special high-performance tires have unidirectional treads: their tread pattern is designed to work better in one direction than in the other. The sidewall marking of a unidirectional tire will have an arrow showing the correct rotation direction. If your bike has unidirectional tires, be sure that they are mounted to rotate in the correct direction.

E.4.2 Tire Valves

There are primarily two kinds of bicycle tire valves: The Schrader Valve and the Presta Valve. The bicycle pump you use must have the fitting appropriate to the valve stems on your bicycle.

The **Schrader valve (Figure 5.15)** is like the valve on a car tire. To inflate a Schrader valve tire, remove the valve cap and clamp the pump fitting onto the end of the valve stem. To let air out of a Schrader valve, depress the pin in the end of the valve stem with the end of a key or other appropriate object.

The **Presta valve (Figure 5.16)** has a narrower diameter and is only found on bicycle tires. To inflate a Presta valve tire using a Presta headed bicycle pump, remove the valve cap; unscrew (counterclockwise) the valve stem lock nut; and push down on the valve stem to free it up. Then push the pump head on to the valve head, and inflate. To inflate a Presta valve with a Schrader pump fitting, you'll need a Presta adapter (available at your bike shop) which screws on to the valve stem once you've freed up the valve. The adapter fits into the Schrader pump fitting. Close the valve after inflation. To let air out of a Presta valve, open up the valve stem lock nut and depress the valve stem.

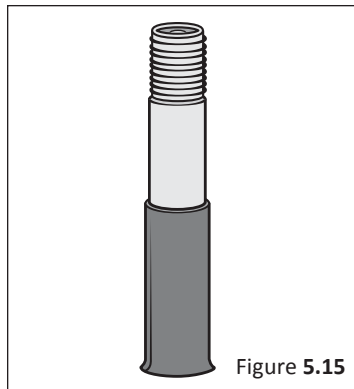


Figure 5.15

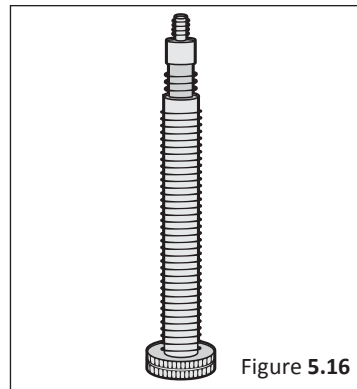


Figure 5.16

⚠ WARNING!

We highly recommend that you carry a spare inner tube when you ride your bike, unless the bike is fitted with tubeless tires. Patching a tube is an emergency repair. If you do not apply the patch correctly or apply several patches, the tube can fail, resulting in possible tube failure, which could cause you to lose control and fall. Replace a patched tube as soon as possible.

F Service

WARNING!

Technological advances have made bicycles and bicycle components more complex, and the pace of innovation is increasing. It is impossible for this manual to provide all the information required to properly repair and/or maintain your bicycle. In order to help minimize the chances of an accident and possible injury, it is critical that you have any repair or maintenance that is not specifically described in this manual performed by your dealer. Equally important is that your individual maintenance requirements will be determined by everything from your riding style to geographic location. Contact customer service for help in determining your maintenance requirements.

Many bicycle service and repair tasks require special knowledge and tools. Do not begin any adjustments or service on your bicycle until you have learned from your dealer how to properly complete them. Improper adjustment or service may result in damage to the bicycle or in an accident which can cause serious injury or death.

If you want to learn to do major service and repair work on your bike:

1. Contact customer service for copies of the manufacturer's installation and service instructions for the components on your bike, or contact the component manufacturer.
2. Contact customer service to recommend a book on bicycle repair.
3. Contact customer service about the availability of bicycle repair courses in your area.

We recommend that you ask your dealer to check the quality of your work the first time you work on something and before you ride the bike, just to make sure that you did everything correctly. Since that will require the time of a mechanic, there may be a modest charge for this service.

We also recommend that you contact customer service for guidance on what spare parts, such as tires, inner tubes, light bulbs, batteries, Patch Kit, lubricants etc. it would be appropriate for you to have once you have learned how to replace such parts when they require replacement.

F.1 Service Intervals

Some service and maintenance can and should be performed by the owner, and require no special tools or knowledge beyond what is presented in this manual.

The following are examples of the type of service you should perform yourself. All other service, maintenance and repair should be performed in a properly equipped facility by a qualified bicycle mechanic using the correct tools and procedures specified by the manufacturer.

1. **Break-in Period:** Your bike will last longer and work better if you break it in before riding it hard. Control cables and wheel spokes may stretch or “seat” when a new bike is first used and may require readjustment by your dealer. Your Mechanical Safety Check (**Section A.1.3**) will help you identify some things that need readjustment. But even if everything seems fine to you, it’s best to take your bike back to the dealer for a checkup. Dealers typically suggest you bring the bike in for a 30-day checkup. Another way to judge when it’s time for the first checkup is to bring the bike in after three to five hours of hard off-road use, or about 10 to 15 hours of on-road or more casual off-road use. But if you think something is wrong with the bike, take it to your dealer before riding it again.
2. **Before every ride:** Mechanical Safety Check (**Section A.1.3**)

3. **After every long or hard ride;** if the bike has been exposed to water or grit; or at least every 100 miles: Clean the bike and lightly lubricate the chain’s rollers with a good quality bicycle chain lubricant. Wipe off excess lubricant with a lint-free cloth. Lubrication is a function of climate. Talk to your dealer about the best lubricants and the recommended lubrication frequency for your area.
4. **After every long or hard ride or after every 10 to 20 hours of riding:**
 - Squeeze the front brake and rock the bike forward and back. Everything feel solid? If you feel a clunk with each forward or backward movement of the bike, you probably have a loose headset. Have your dealer check it.
 - Lift the front wheel off the ground and swing it from side to side. Feel smooth? If you feel any binding or roughness in the steering, you may have a tight headset. Have your dealer check it.
 - Grab one pedal and rock it toward and away from the centerline of the bike; then do the same with the other pedal. Anything feel loose? If so, have your dealer check it.
 - Take a look at the brake pads. Are they worn or not hitting the wheel rim squarely? Time to have the dealer adjust or replace them.

- Carefully check the control cables and cable housings. Any rust? Kinks? Fraying? If so, have your dealer replace them.
- Squeeze each adjoining pair of spokes on either side of each wheel between your thumb and index finger. Do they all feel about the same? If any feel loose, have your dealer check the wheel for tension and trueness.
- Check the tires for excess wear, cuts or bruises. Have your dealer replace them if necessary.
- Check the wheel rims for excess wear, dings, dents and scratches. Consult your dealer if you see any rim damage.
- Check to make sure that all parts and accessories are still secure, and tighten any that are not.
- Check the frame, particularly in the area around all tube joints; the handlebars; the stem; and the seatpost for any deep scratches, cracks or discoloration. These are signs of stress-caused fatigue and indicate that a part is at the end of its useful life and needs to be replaced. See also

Appendix B

5. Disc brakes require a different set of inspection steps. Check for these issues before every ride:
 - Pads rubbing on rotors.
 - Worn out pads (which can lead to over-extended pistons).
 - Pistons that are stuck and/or won't retract fully.
 - Disc rotors that are bent and need straightening. Contact customer relations.

- Hydraulic brakes that feel “sponge-y” and/or levers that can be depressed all the way to the grips w/o generating adequate stopping power (due to trapped air and/or leaks).

⚠ WARNING!

Like any mechanical device, a bicycle and its components are subject to wear and stress. Different materials and mechanisms wear or fatigue from stress at different rates and have different life cycles. If a component's life cycle is exceeded, the component can suddenly and catastrophically fail, causing serious injury or death to the rider

Scratches, cracks, fraying and discoloration are signs of stress-caused fatigue and indicate that a part is at the end of its useful life and needs to be replaced. While the materials and workmanship of your bicycle or of individual components may be covered by a warranty for a specified period of time by the manufacturer, this is no guarantee that the product will last the term of the warranty. Product life is often related to the kind of riding you do and to the treatment to which you submit the bicycle. The bicycle's warranty is not meant to suggest that the bicycle cannot be broken or will last forever. It only means that the bicycle is covered subject to the terms of the warranty. Please be sure to read Appendix D, Intended Use of your bicycle and Appendix A, The lifespan of your bike and its components.

- 6. As required:** If either brake lever fails the Mechanical Safety Check (Section A.1.3), don't ride the bike. Have your dealer check the brakes. If the chain won't shift smoothly and quietly from gear to gear, the derailleur is out of adjustment. Contact customer service.
- 7. Every 25 (hard off-road) to 50 (on-road) hours of riding:** Take your bike to your dealer for a complete checkup.

F.2 If your bicycle sustains an impact

First, check yourself for injuries, and take care of them as best you can. Seek medical help if necessary.

Next, check your bike for damage.

After any crash, take your bike to your dealer for a thorough check. Carbon composite components, including frames, wheels, handlebars, stems, cranksets, brakes, etc. which have sustained an impact must not be ridden until they have been disassembled and thoroughly inspected by a qualified mechanic.

See also **Appendix B**, Lifespan of your bike and its components.

WARNING!

A crash or other impact can put extraordinary stress on bicycle components, causing them to fatigue prematurely. Components suffering from stress fatigue can fail suddenly and catastrophically, causing loss of control, serious injury or death.

Appendix A

Intended use of your bicycle

⚠ WARNING!

Understand your bike and its intended use. Choosing the wrong bicycle for your purpose can be hazardous. Using your bike the wrong way is dangerous.

No one type of bicycle is suited for all purposes. Your retailer can help you pick the “right tool for the job” and help you understand its limitations. There are many types of bicycles and many variations within each type. There are many types of mountain, road, racing, hybrid, touring, cyclo-cross and tandem bicycles.

There are also bicycles that mix features. For example, there are road/racing bikes with triple cranks. These bikes have the low gearing of a touring bike, the quick handling of a racing bike, but are not well suited for carrying heavy loads on a tour. For that purpose you want a touring bike.

Within each of type of bicycle, one can optimize for certain purposes. Visit your bicycle shop and find someone with expertise in the area that interests you. Do your own homework. Seemingly small changes such as the choice of tires can improve or diminish the performance of a bicycle for a certain purpose.

On the following pages, we generally outline the intended uses of various types of bikes.

Industry usage conditions are generalized and evolving. Consult your dealer about how you intend to use your bike.



AA.1 High-Performance Road

Condition 1

Bikes designed for riding on a paved surface where the tires do not lose ground contact.

Intended

To be ridden on paved roads only

Not intended

For off-road, cyclo-cross, or touring with racks or panniers.

Trade off

Material use is optimized to deliver both light weight and specific performance. You must understand that (1) these types of bikes are intended to give an aggressive racer or competitive cyclist a performance advantage over a relatively short product life, (2) a less aggressive rider will enjoy longer frame life, (3) you are choosing light weight (shorter frame life) over more frame weight and a longer frame life, (4) you are choosing light weight over more dent resistant or rugged frames that weigh more. All frames that are very light need frequent inspection. These frames are likely to be damaged or broken in a crash. They are not designed to take abuse or be a rugged workhorse. See also Appendix B.

Maximum Weight Limit

RIDER lbs/kg	LUGGAGE* lbs/kg	TOTAL lbs/kg
275 / 125	10 / 4.5	285 / 129

* Seat Bag /Handlebar Bag Only



AA.2 General Purpose Riding

Condition 2

Bikes designed for riding Condition 1, plus smooth gravel roads and improved trails with moderate grades where the tires do not lose ground contact.

Intended	For paved roads, gravel or dirt roads that are in good condition, and bike paths.
Not intended	For off-road or mountain bike use, or for any kind of jumping. Some of these bikes have suspension features, but these features are designed to add comfort, not off-road capability. Some come with relatively wide tires that are well suited to gravel or dirt paths. Some come with relatively narrow tires that are best suited to faster riding on pavement. If you ride on gravel or dirt paths, carry heavier loads or want more tire durability talk to your dealer about wider tires.

Maximum Weight Limit

RIDER lbs/kg	LUGGAGE* lbs/kg	TOTAL lbs/kg
300 / 136	30 / 14	330 / 150
for Touring or Trekking		
300 / 136	55 / 25	355 / 161



AA.3 Cross-Country, Marathon, Hardtails

Condition 3

Bikes designed for riding Conditions 1 and 2, plus rough trails, small obstacles, and smooth technical areas, including areas where momentary loss of tire contact with the ground may occur. NOT jumping. All mountain bikes without rear suspension are Condition 3, and so are some lightweight rear suspension models.

Intended

For cross-country riding and racing which ranges from mild to aggressive over intermediate terrain (e.g., hilly with small obstacles like roots, rocks, loose surfaces and hard pack and depressions). Cross-country and marathon equipment (tires, shocks, frames, drive trains) are light weight, favoring nimble speed over brute force. Suspension travel is relatively short since the bike is intended to move quickly on the ground.

Not intended

For off-road or mountain bike use, or for any kind of jumping. Some of these bikes have suspension features, but these features are designed to add comfort, not off-road capability. Some come with relatively wide tires that are well suited to gravel or dirt paths. Some come with relatively narrow tires that are best suited to faster riding on pavement. If you ride on gravel or dirt paths, carry heavier loads or want more tire durability talk to your dealer about wider tires.

Trade off

Cross-Country bikes are lighter, faster to ride uphill, and more nimble than All-Mountain bikes. Cross-Country and Marathon bikes trade off some ruggedness for pedaling efficiency and uphill speed.

Maximum Weight Limit

RIDER lbs/kg	LUGGAGE* lbs/kg	TOTAL lbs/kg
300 / 136	5 / 2.3	305 / 138
* Seat Bag Only Front suspension frames manufactured with original equipment seat stay and dropout rack mounts only		
300 / 136	55 / 25	355 / 161



AA.4 All Mountain

Condition 4

Bikes designed for riding Conditions 1, 2, and 3, plus rough technical areas, moderately sized obstacles, and small jumps.

Intended

For trail and uphill riding. All-Mountain bicycles are:

1. more heavy duty than cross country bikes, but less heavy duty than Freeride bikes,
2. lighter and more nimble than Freeride bikes,
3. heavier and have more suspension travel than a cross country bike, allowing them to be ridden in more difficult terrain, over larger obstacles and moderate jumps,
4. intermediate in suspension travel and use components that fit the intermediate intended use,
5. cover a fairly wide range of intended use, and within this range are models that are more or less heavy duty. Talk to your retailer about your needs and these models.

Not intended

For use in extreme forms of jumping/riding such as hardcore mountain, Freeriding, Downhill, North Shore, Dirt Jumping, Hucking etc. No large drop offs, jumps or launches (wooden structures, dirt embankments) requiring long suspension travel or heavy duty components; and no spending time in the air landing hard and hammering through obstacles.

Trade off

All-Mountain bikes are more rugged than cross country bikes, for riding more difficult terrain. All-Mountain bikes are heavier and harder to ride uphill than cross country bikes. All-Mountain bikes are lighter, more nimble and easier to ride uphill than Freeride bikes. All-Mountain bikes are not as rugged as Freeride bikes and must not be used for more extreme riding and terrain.

Maximum Weight Limit

RIDER lbs/kg	LUGGAGE* lbs/kg	TOTAL lbs/kg
300 / 136	5 / 2.3	305 / 138

* Seat Bag Only



AA.5 Gravity, Freeride, and Downhill

Condition 5

Bikes designed for jumping, hucking, high speeds, or aggressive riding on rougher surfaces, or landing on flat surfaces. However, this type of riding is extremely hazardous and puts unpredictable forces on a bicycle which may overload the frame, fork, or parts. If you choose to ride in Condition 5 terrain, you should take appropriate safety precautions such as more frequent bike inspections and replacement of equipment. You should also wear comprehensive safety equipment such as a full-face helmet, pads, and body armor.

Intended

For riding that includes the most difficult terrain that only very skilled riders should attempt.

Gravity, Freeride, and Downhill are terms that describe hardcore mountain, north shore, slopestyle. This is “extreme” riding and the terms describing it are constantly evolving.

Gravity, Freeride, and Downhill bikes are:

1. heavier and have more suspension travel than All-Mountain bikes, allowing them to be ridden in more difficult terrain, over larger obstacles and larger jumps,
2. the longest in suspension travel and use components that fit heavy duty intended use. While all that is true, there is no guarantee that extreme riding will not break a Freeride bike.

The terrain and type of riding that Freeride bikes are designed for is inherently dangerous. Appropriate equipment, such as a Freeride bike, does not change this reality. In this kind of riding, bad judgment, bad luck, or riding beyond your capabilities can easily result in an accident, where you could be seriously injured, paralyzed or killed.

Not intended	To be an excuse to try anything. Read Section 2. F, p. 10.
Trade off	Freeride bikes are more rugged than All-Mountain bikes, for riding more difficult terrain. Freeride bikes are heavier and harder to ride uphill than All-Mountain bikes.



AA.6 Dirt Jump

Condition 5

Bikes designed for jumping, hucking, high speeds, or aggressive riding on rougher surfaces, or landing on flat surfaces. However, this type of riding is extremely hazardous and puts unpredictable forces on a bicycle which may overload the frame, fork, or parts. If you choose to ride in Condition 5 terrain, you should take appropriate safety precautions such as more frequent bike inspections and replacement of equipment. You should also wear comprehensive safety equipment such as a full-face helmet, pads, and body armor.

Maximum Weight Limit

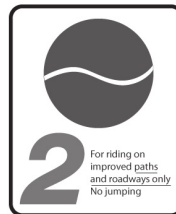
RIDER lbs/kg	LUGGAGE* lbs/kg	TOTAL lbs/kg
300 / 136	5 / 2.3	305 / 138

* Seat Bag Only

Intended	<p>For man-made dirt jumps, ramps, skate parks other predictable obstacles and terrain where riders need and use skill and bike control, rather than suspension. Dirt Jumping bikes are used much like heavy duty BMX bikes.</p> <p>A Dirt Jumping bike does not give you skills to jump. Read Section A.2.6</p>
Not intended	<p>For terrain, drop offs or landings where large amounts of suspension travel are needed to help absorb the shock of landing and help maintain control.</p>
Trade off	<p>Dirt Jumping bikes are lighter and more nimble than Freeride bikes, but they have no rear suspension and the suspension travel in the front is much shorter.</p>

Maximum Weight Limit

RIDER lbs/kg	LUGGAGE* lbs/kg	TOTAL lbs/kg
300 / 136	0	300 / 136



AA.7 Cyclo-cross

Condition 2

Bikes designed for riding Condition 1, plus smooth gravel roads and improved trails with moderate grades where the tires do not lose ground contact.

Intended	<p>For cyclo-cross riding, training and racing. Cyclo-cross involves riding on a variety of terrain and surfaces including dirt or mud surfaces. Cyclo-cross bikes also work well for all weather rough road riding and commuting.</p>
Not intended	<p>For off road or mountain bike use, or jumping. Cyclo-cross riders and racers dismount before reaching an obstacle, carry their bike over the obstacle and then remount. Cyclo-cross bikes are not intended for mountain bike use. The relatively large road bike size wheels are faster and lighter than mountain bike wheels, but not as strong.</p>

Maximum Weight Limit

RIDER lbs/kg	LUGGAGE* lbs/kg	TOTAL lbs/kg
300 / 136	30 / 13.6	330 / 150



AA.8 Road Tandems

Condition 1

Bikes designed for riding on a paved surface where the tires do not lose ground contact.

Intended	Are designed to be ridden on paved roads only. They are not designed for mountain biking or off-road use.
Not intended	Road tandem should not be taken off-road or used as a mountain tandem.

Maximum Weight Limit

RIDER lbs/kg	LUGGAGE* lbs/kg	TOTAL lbs/kg
500 / 227	75 / 34	575 / 261



AA.9 Mountain Tandems

Condition 2

Bikes designed for riding Condition 1, plus smooth gravel roads and improved trails with moderate grades where the tires do not lose ground contact.

Intended	The challenges of mountain biking are obvious. The added challenges of tandem riding mean that you should limit off-road tandem riding to easy-moderate terrain.
Not intended	For very aggressive mountain bike riding. Mountain tandems are most definitely NOT for Downhill, Freeriding, North Shore. Choose terrain with the abilities of both the Tandem's captain and stoker in mind

Maximum Weight Limit

RIDER lbs/kg	LUGGAGE* lbs/kg	TOTAL lbs/kg
500 / 227	75 / 34	575 / 261

Appendix B

AB.1 The lifespan of your bike and its components

AB.1.1 Nothing Lasts Forever, Including Your Bike.

When the useful life of your bike or its components is over, continued use is hazardous.

Every bicycle and its component parts have a finite, limited useful life. The length of that life will vary with the construction and materials used in the frame and components; the maintenance and care the frame and components receive over their life; and the type and amount of use to which the frame and components are subjected. Use in competitive events, trick riding, ramp riding, jumping, aggressive riding, riding on severe terrain, riding in severe climates, riding with heavy loads, commercial activities and other types of non-standard use can dramatically shorten the life of the frame and components. Any one or a combination of these conditions may result in an unpredictable failure.

All aspects of use being identical, lightweight bicycles and their components will usually have a shorter life than heavier bicycles and their components. In selecting a lightweight bicycle or components you are making a tradeoff, favoring the higher performance that comes with lighter weight over longevity. So, if you choose lightweight, high performance equipment, be sure to have it inspected frequently.

You should have your bicycle and its components checked periodically by your dealer for indicators of stress and/or potential failure, including cracks, deformation, corrosion, paint peeling, dents, and any other indicators of potential problems, inappropriate use or abuse. These are important safety checks and very important to help prevent accidents, bodily injury to the rider and shortened product life.

AB.1.2 Perspective

Today's high-performance bicycles require frequent and careful inspection and service. In this Appendix we try to explain some underlying material science basics and how they relate to your bicycle. We discuss some of the trade-offs made in designing your bicycle and what you can expect from your bicycle; and we provide important, basic guidelines on how to maintain and inspect it. We cannot teach you everything you need to know to properly inspect and service your bicycle; and that is why we repeatedly urge you to take your bicycle to your dealer for professional care and attention.

WARNING!

Frequent inspection of your bike is important to your safety. Follow the Mechanical Safety Check in Section 1.C of this Manual before every ride.

Periodic, more detailed inspection of your bicycle is important. How often this more detailed inspection is needed depends upon you.

You, the rider/owner, have control and knowledge of how often you use your bike, how hard you use it and where you use it. Because your dealer cannot track your use, you must take responsibility for periodically bringing your bike to your dealer for inspection and service. Your dealer will help you decide what frequency of inspection and service is appropriate for how and where you use your bike.

For your safety, understanding and communication with your dealer, we urge you to read this Appendix in its entirety. The materials used to make your bike determine how and how frequently to inspect.

Ignoring this WARNING can lead to frame, fork or other component failure, which can result in serious injury or death.

1. Understanding metals

Steel is the traditional material for building bicycle frames. It has good characteristics, but in high performance bicycles, steel has been largely replaced by aluminum and some titanium. The main factor driving this change is interest in lighter bicycles by cycling enthusiasts.

Properties of Metals

Please understand that there is no simple statement that can be made that characterizes the use of different metals for bicycles. What is true is how the metal chosen is applied is much more important than the material alone. One must look at the way the bike is designed, tested, manufactured, supported along with the characteristics of the metal rather than seeking a simplistic answer.

Metals vary widely in their resistance to corrosion. Steel must be protected or rust will attack it. Aluminum and Titanium quickly develop an oxide film that protects the metal from further corrosion. Both are therefore quite resistant to corrosion. Aluminum is not perfectly corrosion resistant, and particular care must be used where it contacts other metals and galvanic corrosion can occur.

Metals are comparatively ductile. Ductile means bending, buckling and stretching before breaking. Generally speaking, of the common bicycle frame building materials steel is the most ductile, titanium less ductile, followed by aluminum.

Metals vary in density. Density is weight per unit of material. Steel weighs 7.8 grams/cm³ (grams per cubic centimeter), titanium 4.5 grams/cm³, aluminum 2.75 grams/cm³. Contrast these numbers with carbon fiber composite at 1.45 grams/cm³.

Metals are subject to fatigue. With enough cycles of use, at high enough loads, metals will eventually develop cracks that lead to failure. It is very important that you read the basics of metal fatigue below.

Let's say you hit a curb, ditch, rock, car, another cyclist or other object. At any speed above a fast walk, your body will continue to move forward, momentum carrying you over the front of the bike. You cannot and will not stay on the bike, and what happens to the frame, fork and other components is irrelevant to what happens to your body.

What should you expect from your metal frame? It depends on many complex factors, which is why we tell you that crashworthiness cannot be a design criteria. With that important note, we can tell you that if the impact is hard enough the fork or frame may be bent or buckled. On a steel bike, the steel fork may be severely bent and the frame undamaged. Aluminum is less ductile than steel, but you can expect the fork and frame to be bent or buckled. Hit harder and the top tube may be broken in tension and the down tube buckled. Hit harder and the top tube may be broken, the down tube buckled and broken, leaving the head tube and fork separated from the main triangle.

When a metal bike crashes, you will usually see some evidence of this ductility in bent, buckled or folded metal.

It is now common for the main frame to be made of metal and the fork of carbon fiber. See Section AB.1.3, Understanding composites below. The relative ductility of metals and the lack of ductility of carbon fiber means that in a crash scenario you can expect some bending or bucking in the metal but none in the carbon. Below some load the carbon fork may be intact even though the frame is damaged. Above some load the carbon fork will be completely broken.

The basics of metal fatigue

Common sense tells us that nothing that is used lasts forever. The more you use something, and the harder you use it, and the worse the conditions you use it in, the shorter its life.

Fatigue is the term used to describe accumulated damage to a part caused by repeated loading. To cause fatigue damage, the load the part receives must be great enough. A crude, often-used example is bending a paper clip back and forth (repeated loading) until it breaks. This simple definition will help you understand that fatigue has nothing to do with time or age. A bicycle in a garage does not fatigue. Fatigue happens only through use.

So what kind of "damage" are we talking about? On a microscopic level, a crack forms in a highly stressed area. As the load is repeatedly applied, the crack grows. At

some point the crack becomes visible to the naked eye. Eventually it becomes so large that the part is too weak to carry the load that it could carry without the crack. At that point there can be a complete and immediate failure of the part.

One can design a part that is so strong that fatigue life is nearly infinite. This requires a lot of material and a lot of weight. Any structure that must be light and strong will

have a finite fatigue life. Aircraft, race cars, motorcycles all have parts with finite fatigue lives. If you wanted a bicycle with an infinite fatigue life, it would weigh far more than any bicycle sold today. So we all make a tradeoff: the wonderful, lightweight performance we want requires that we inspect the structure.

AB.1.3 What to look for

<ul style="list-style-type: none"> • ONCE A CRACKS STARTS IT CAN GROW AND GROW FAST. Think about the crack as forming a pathway to failure. This means that any crack is potentially dangerous and will only become more dangerous. 	<p>SIMPLE RULE 1: If you find crack, replace the part.</p>
<ul style="list-style-type: none"> • CORROSION SPEEDS DAMAGE. Cracks grow more quickly when they are in a corrosive environment. Think about the corrosive solution as further weakening and extending the crack. 	<p>SIMPLE RULE 2: Clean your bike, lubricate your bike, protect your bike from salt, remove any salt as soon as you can.</p>
<ul style="list-style-type: none"> • SIGNIFICANT SCRATCHES, GOUGES, DENTS OR SCORING CREATE STARTING POINTS FOR CRACKS. Think about the cut surface as a focal point for stress (in fact engineers call such areas “stress risers,” areas where the stress is increased). Perhaps you have seen glass cut? Recall how the glass was scored and then broke on the scored line. 	<p>SIMPLE RULE 4: Do not scratch, gouge or score any surface. If you do, pay frequent attention to this area or replace the part.</p>
<ul style="list-style-type: none"> • SOME CRACKS (particularly larger ones) MAY MAKE CREAKING NOISE AS YOU RIDE. Think about such a noise as a serious warning signal. Note that a well-maintained bicycle will be very quiet and free of creaks and squeaks. 	<p>SIMPLE RULE 5: Investigate and find the source of any noise. It may not be a crack, but whatever is causing the noise should be fixed promptly.</p>

AB.2 Fatigue Is Not A Perfectly Predictable Science

Fatigue is not a perfectly predictable science, but here are some general factors to help you and your dealer determine how often your bicycle should be inspected. The more you fit the “shorten product life” profile, the more frequent your need to inspect. The more you fit the “lengthen product life” profile, the less frequent your need to inspect.

AB.2.1 Factors that shorten product life:

- Hard, harsh riding style
- “Hits”, crashes, jumps, other “shots” to the bike
- High mileage
- Higher body weight
- Stronger, more fit, more aggressive rider
- Corrosive environment (wet, salt air, winter road salt, accumulated sweat)
- Presence of abrasive mud, dirt, sand, soil in riding environment

AB.2.2 Factors that lengthen product life:

- Smooth, fluid riding style
- No “hits”, crashes, jumps, other “shots” to the bike
- Low mileage
- Lower body weight
- Less aggressive rider
- Non-corrosive environment (dry, salt-free air)
- Clean riding environment

WARNING!

Do not ride a bicycle or component with any crack, bulge or dent, even a small one. Riding a cracked frame, fork or component could lead to complete failure, with risk of serious injury or death.

Appendix C

Fastener Torque Specifications

Correct tightening torque of threaded fasteners is very important to your safety. Always tighten fasteners to the correct torque. In case of a conflict between the instructions in this manual and information provided by a component manufacturer, consult with your dealer or the manufacturer's customer service representative for clarification. Bolts that are too tight can stretch and deform. Bolts that are too loose can move and fatigue. Either mistake can lead to a sudden failure of the bolt.

Always use a correctly calibrated torque wrench to tighten critical fasteners on your bike. Carefully follow the torque wrench manufacturer's instructions on the correct way to set and use the torque wrench for accurate results.

Fastener recommended torque

Component	Torque Spec (IN LB ; N m)
Stem Face Plate (1 or 2 bolt)	200 ; 23
Stem face Plate (4 bolt)	135 ; 15
Dropper Post Lever	17 ; 2
eBike Control Pad	17 ; 2
Trigger Shifter	25 ; 3
Twist Shifter	60 ; 7
Brake Lever	60 ; 7
Quill Stem Expander Bolt	220 ; 25
Quill Stem H-Bar Pinch Bolt	200 ; 23
Threadless Stem Pinch Bolts	50 ; 6
Front Wheel Axle Nuts	320 ; 36
Front Disc Brake Mounting Bolts (Adapter and Caliper)	60 ; 7
Front Disc Brake Rotor Bolts	40 ; 5

Component	Torque Spec (IN LB ; N m)
Front Disc Brake cable Pinch Bolt	60 ; 7
Seat Clamp Mechanism (Pin Type Post)	200 ; 23
Seat Clamp (Micro adjust) Single Bolt	200 ; 23
Seat Clamp (Micro adjust) 2 Bolt	60 ; 7
Seat Post Binder Bolt	50 ; 6
Front Derailleur Clamp	50 ; 6
Front Derailleur Cable Pinch Bolt	50 ; 6
Bottom Bracket Fixed Cup	500 ; 56
Bottom Bracket Lock Ring	500 ; 56
Crank Arm	350 ; 40
Pedal	320 ; 36
Rear Wheel Axle Nuts	320 ; 36
Rear Disc Brake Mounting Bolts (Adapter and Caliper)	60 ; 7
Front Disc Brake Rotor Bolts	40 ; 5
Rear Disc Brake cable Pinch Bolt	60 ; 7

Component	Torque Spec (IN LB ; N m)
Rear Derailleur Mounting Bolt	80 ; 9
Rear Derailleur Cable Pinch Bolt	40 ; 5

Purchase Record

Fill in immediately and retain as a record of your purchase. Please retain your sales receipt for any possible warranty claims.

Your Name: _____

Address: _____

City: _____ State: _____

Date Purchased: _____

Place of Purchase: _____

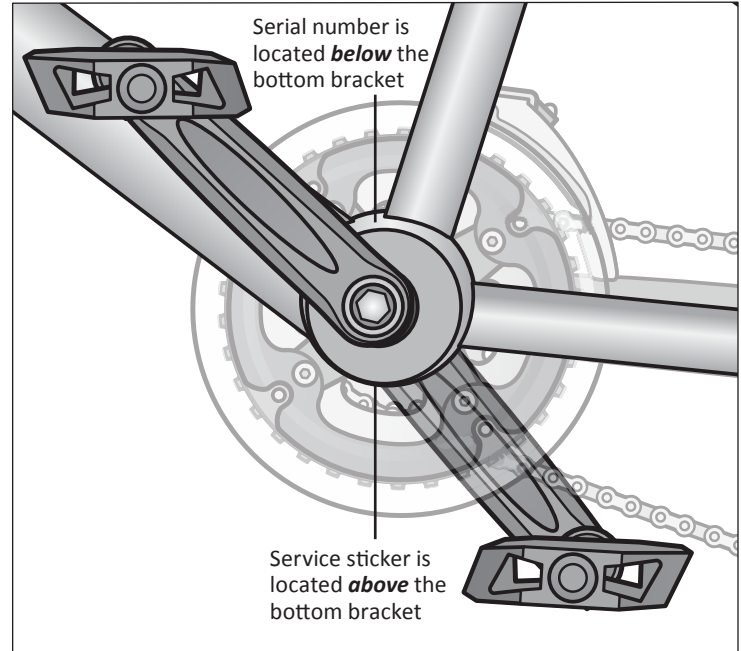
Model and Brand Information: _____

Wheel Size: _____ Color: _____

Model Number: _____

Date Code: _____

Serial Number: _____





Limited Lifetime Warranty

For as long as you own the bike.
Some restrictions apply.
Details at schwinnbikes.com

⚠ **WARNING:** This product can expose you to chemicals including lead and lead compounds, which is known to the State of California to cause cancer, birth defects and other reproductive harm. For more information go to www.P65Warnings.ca.gov

© 2021 PACIFIC CYCLE, INC. SCHWINN® is a registered trademark of Pacific Cycle, Inc.

US 1-800-626-2811
Canada 1-877-758-4741
schwinnbikes.com

OMSCEMTB

