



INSTALLATION, USE AND CARE MANUAL FOR PROFESSIONAL VENTILLATION FOR THE HOME

IMPORTANT!—PLEASE READ AND FOLLOW

1. THIS APPLIANCE WAS DESIGNED FOR EASE OF INSTALLATION AND OPERATION. HOWEVER, WE RECOMMEND THAT YOU READ ALL SECTIONS OF THIS MANUAL BEFORE YOU BEGIN INSTALLATION.
2. DO NOT REMOVE PERMANENTLY AFFIXED LABELS, WARNINGS OR DATA PLATES FROM YOUR APPLIANCE. THIS MAY VOID THE MANUFACTURER'S WARRANTY AND/OR HINDER EFFECTIVE SERVICING AND MAINTENANCE.
3. THESE INSTRUCTIONS ARE TO REMAIN WITH THE APPLIANCE AND THE CONSUMER IS TO RETAIN THEM FOR FUTURE REFERENCE.
4. PLEASE OBSERVE ALL LOCAL AND NATIONAL BUILDING CODES AND ORDINANCES. IF NO LOCAL CODES ARE APPLICABLE, PLEASE FOLLOW ALL WIRING REQUIREMENTS IN ACCORDANCE WITH THE NATIONAL ELECTRICAL CODE, ANSI/NFPA 70 EDITION.
5. PLEASE CHECK WITH A QUALIFIED AND TRAINED INSTALLER OR YOUR LOCAL CODES FOR ANY MAKE UP AIR REQUIREMENTS.
6. THIS HOOD IS FOR RESIDENTIAL USE ONLY AND IS NOT DESIGNED FOR INSTALLATION OVER A COMMERCIAL PRODUCT.
7. MAKE SURE ALL POWER IS TURNED OFF AT THE MAIN BREAKER OR FUSE BOX BEFORE MAKING ANY CONNECTIONS.
8. TO AVOID RISK OF FIRE , ELECTRIC SHOCK, OR INJURY TO PERSONS, TURN OFF THE ELECTRICITY TO THE HOOD FROM THE POWER SUPPLY BEFORE CLEANING OR SERVICING.

This product is intended for domestic use only!



TABLE OF CONTENTS

Table of Contents	2
Safety Instructions.....	3-4
Introduction.....	5
Welcome	6
Handling & Unpacking	7
Packing list for your Vent Hood	8-9
Pro Line Hoods	8
Pyramid Style Hoods	9
Low Profile and Re-Circulating hoods	10
Installation of Pro Line Series	
Dimensions.....	11
Site Preparation	12
The Correct Height	13
Duct Information	14
Blower Installation	15
Custom Duct Installation	16
Installation of Pyramid Style	
Dimensions	17
Site Preparation	18
The Correct Height	19
Duct Information	20
Blower Installation	21
Flue Installation	22
Installation of Low Profile Series	
Dimensions	23
Site Preparation	24
The Correct Height	25
Duct Information and Wiring	26
Installation of Low Profile Re-Circulating Series	
Dimensions	27
Site Preparation	28
The Correct Height and Wiring	29
Cleaning and Maintenance	30
Warranty.....	31-32
Performance Checklist	33-34



IMPORTANT!—PLEASE READ AND FOLLOW

1. THIS APPLIANCE WAS DESIGNED FOR EASE OF INSTALLATION AND OPERATION. HOWEVER, WE RECOMMEND THAT YOU READ ALL SECTIONS OF THIS MANUAL BEFORE YOU BEGIN INSTALLATION.
2. DO NOT REMOVE PERMANENTLY AFFIXED LABELS, WARNINGS OR DATA PLATES FROM YOUR APPLIANCE. THIS MAY VOID THE MANUFACTURER'S WARRANTY AND/OR HINDER EFFECTIVE SERVICING AND MAINTENANCE.
3. THESE INSTRUCTIONS ARE TO REMAIN WITH THE APPLIANCE AND THE CONSUMER IS TO RETAIN THEM FOR FUTURE REFERENCE.
4. PLEASE OBSERVE ALL LOCAL AND NATIONAL BUILDING CODES AND ORDINANCES. IF NO LOCAL CODES ARE APPLICABLE, PLEASE FOLLOW ALL WIRING REQUIREMENTS IN ACCORDANCE WITH THE NATIONAL ELECTRICAL CODE, ANSI/NFPA 70 EDITION.
5. PLEASE CHECK WITH A QUALIFIED AND TRAINED INSTALLER OR YOUR LOCAL CODES FOR ANY MAKE UP AIR REQUIREMENTS.
6. THIS HOOD IS FOR RESIDENTIAL USE ONLY AND IS NOT DESIGNED FOR INSTALLATION OVER A COMMERCIAL PRODUCT.
7. MAKE SURE ALL POWER IS TURNED OFF AT THE MAIN BREAKER OR FUSE BOX BEFORE SERVICING OR MAKING ANY CONNECTIONS.

WARNING!

TO REDUCE RISK OF FIRE, ELECTRIC SHOCK, OR INJURY TO PERSONS, OBSERVE THE FOLLOWING:

- USE THIS UNIT IN THE MANNER INTENDED BY THE MANUFACTURER, IF YOU HAVE ANY QUESTIONS PLEASE CALL 800-449-8691
- BEFORE CLEANING OR SERVICING UNIT, SWITCH POWER OFF TO THE UNIT AT THE SERVICE PANEL AND LOCK OUT THE SERVICE PANEL. IF THE SERVICE PANEL CANNOT BE LOCKED OUT, PLEASE AFFIX A WARNING DEVICE PROMINENTLY, SUCH AS A TAG, TO THE SERVICE PANEL.

WARNING!

TO REDUCE THE RISK OF A RANGETOP GREASE FIRE:

- NEVER LEAVE THE APPLIANCE UNATTENDED DURING USE. BOIL-OVERS MAY OCCUR, CAUSING SPILLS WHICH MAY IGNITE.
- DO NOT USE WATER ON GREASE FIRES. NEVER PICK UP A FLAMING PAN. IT IS RECOMMENDED YOU PURCHASE A MULTI-PURPOSE DRY CHEMICAL OR FOAM-TYPE FIRE EXTINGUISHER FOR YOUR HOME. STORE IT IN CLOSE PROXIMITY TO YOUR APPLIANCES.

WARNING!

TO REDUCE RISK OF FIRE, ELECTRIC SHOCK, OR INJURY TO PERSONS, OBSERVE THE FOLLOWING:

- INSTALLATION WORK AND ELECTRICAL WORK MUST BE PERFORMED BY QUALIFIED INDIVIDUALS IN ACCORDANCE WITH ALL APPLICABLE CODES AND STANDARDS, INCLUDING ALL FIRE RATED CONSTRUCTION
- DO NOT DAMAGE ANY EXISTING ELECTRICAL OR HIDDEN UTILITIES WHEN DRILLING, CUTTING AND/OR REMOVING A WALL, CEILING OR FLOOR
- DUCTED FANS MUST VENT OUTDOORS
- SUFFICIENT AIR IS REQUIRED TO PROPERLY EXHAUST GASES THROUGH THE FLUE OF NATURAL AND LIQUID PROPANE FUELED COOKING EQUIPMENT TO AVOID ANY BACK DRAFTING. FOLLOW ALL LOCAL AND NATIONAL CODES AND STANDARDS FOR PROPER AIR REQUIREMENTS.
- USE ONLY METAL DUCTWORK
- NEVER VENT DUCTED EXHAUST AIR INTO ANOTHER ROOM OR GARAGE. TO REDUCE THE RISK OF FIRE AND TO PROPERLY VENT EXHAUST AIR, DUCT MUST VENT OUTDOORS

WARNING!

TO REDUCE THE RISK OF A RANGETOP GREASE FIRE (CONTINUED):

- IF YOU ARE FLAMING LIQUOR OR OTHER SPIRITS, AND YOUR APPLIANCE IS INSTALLED UNDER A VENT HOOD, TURN THE FAN OFF. THE DRAFT CREATED COULD CAUSE THE FLAMES TO SPREAD OUT OF CONTROL.
- FOR YOUR SAFETY, NEVER USE YOUR APPLIANCE OR ANY OTHER COOKING APPLIANCE AS A SPACE HEATER TO WARM OR HEAT THE ROOM.
- USE ONLY DRY POTHOLDERS. MOIST OR DAMP POTHOLDERS ON HOT SURFACES MAY RESULT IN STEAM BURNS. DO NOT ALLOW POTHOLDERS TO TOUCH HOT BURNER AREAS. DO NOT USE A TOWEL OR OTHER BULKY MATERIAL AS A POTHOLDER.
- TO REDUCE THE RISK OF BURNS, IGNITION OF FLAMMABLE MATERIALS, AND SPILLAGE, THE HANDLE OF ANY POT OR PAN SHOULD BE POSITIONED SO THAT IT DOES NOT EXTEND OVER ADJACENT BURNERS OR THE FRONT OF THE APPLIANCE.
- CLEAN VENTILATING FANS AND GREASE BAFFLES OFTEN. GREASE SHOULD NOT BE ALLOWED TO ACCUMULATE .

WARNING!

TO REDUCE RISK OF INJURY TO PERSONS DUE TO A GREASE FIRE:

- SMOTHER THE FLAMES WITH A CLOSE FITTING LID, COOKIE SHEET OR METAL TRAY, THEN TURN OFF THE BURNER. TAKE CARE TO AVOID AND PREVENT BURNS. IF FLAMES DO NOT EXTINGUISH, EVACUATE THE PREMISES AND CALL THE FIRE DEPARTMENT
- NEVER HANDLE OR PICK UP A FLAMING PAN.
- DO NOT USE WATER, INCLUDING WET DISHCLOTHS, OR TOWELS. A VIOLENT STEAM EXPLOSION MAY ENSUE
- DO NOT TURN ON HOOD TO EVACUATE SMOKE. TURN OFF HOOD
- USE AN EXTINGUISHER ONLY IF:
 - YOU HAVE A CLASS ABC EXTINGUISHER AND YOU CAN OPERATE IT
 - THE FIRE IS SMALL AND CONTAINED WHERE IT STARTED
 - THE FIRE DEPARTMENT HAS BEEN NOTIFIED
 - YOU CAN FIGHT THE FIRE WITH YOUR BACK TOWARDS AN UNOBSTRUCTED EXIT

WARNING!

- THIS PRODUCT IS FOR GENERAL VENTILATION APPLICATIONS. DO NOT USE TO EXHAUST HAZARDOUS, FLAMMABLE, OR EXPLOSIVE MATERIALS
- PRIOR TO CLEANING OR SERVICING THE UNIT, SWITCH POWER OFF AT THE SERVICE PANEL AND LOCK OUT THE PANEL. IF THE PANEL CANNOT BE LOCKED OUT, AFFIX A PROMINENT WARNING TAG TO THE SERVICE PANEL.
- DO NOT USE PORCELAIN OR ABRASIVE CLEANERS ON THIS PRODUCT. THIS MAY RESULT IN COSMETIC DAMAGE TO THE SURFACE LIKE SCRATCHES AND/OR DISCOLORIZATION
- ALL BRASS TRIM PIECES REQUIRE SPECIAL CLEANING. DO NOT USE ABRASIVE CLEANERS OR FURNITURE POLISH. THIS WILL RESULT IN DISCOLORIZATION TO THE BRASS SURFACE

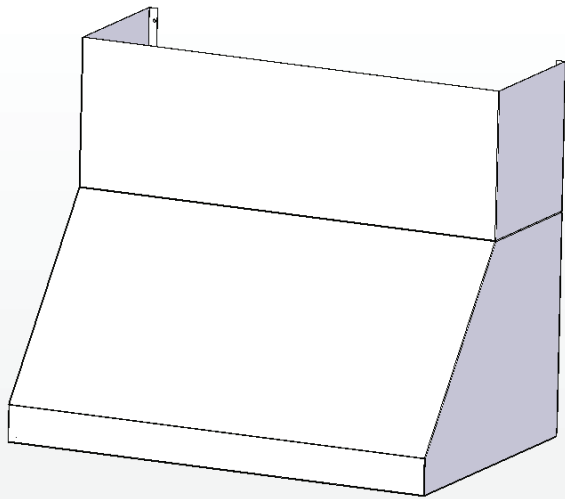


Since 1880, we have been dedicated to quality! We believe that our success can only be measured by the continuing success of our customers. We achieve customer satisfaction by ensuring that each of our employees understands, meets and exceeds customer expectations. We establish and maintain an environment that encourages all employees to pursue continuous improvement in quality and productivity.

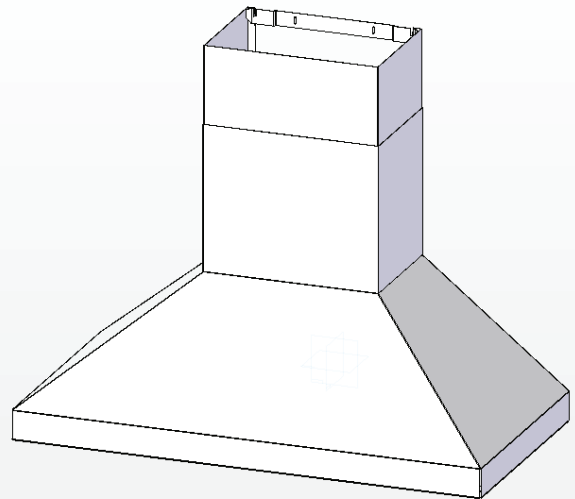
Our quality policy is monitored by the highest levels of management.

We hope you enjoy your new appliance and we THANK YOU again for believing in our product as much as we do.

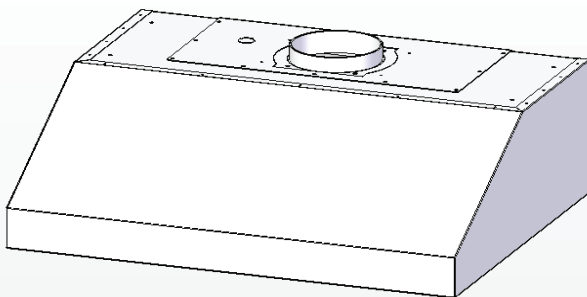
The staff and team at Prizer Stove Works !



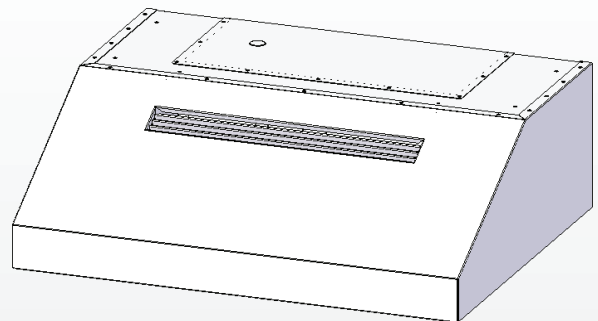
PRO LINE HOOD



PYRAMID HOOD



LOW PROFILE HOOD



RECIRCULATING LOW PROFILE HOOD



WELCOME!

...to the exciting world of BlueStar™ cooking! You have purchased one of the finest appliances available for home use, which shows that you take cooking seriously. As the owner of a new BlueStar appliance you can look forward to years of cooking enjoyment. You will prepare meals with the speed and accuracy of a professional chef right in your own kitchen! All equipment is designed and manufactured to the highest quality standards in the industry specifically to meet the needs of the world's most demanding chefs: you. From simmering to sautéing, baking and broiling these versatile appliances provide the flexibility you need in any cooking application. Commercial styling adds a touch of elegance to your kitchen like no other appliance can. What's more, this high quality, high-performance appliance is backed by our professional service network from coast to coast to provide you with quick, competent technical service should the need arise. Please take a few moments now to fill in the information below for your future reference. In the event you require parts or service, this information will be needed to ensure

DATE OF PURCHASE

DEALER'S NAME

DEALER'S ADDRESS

DATE OF INSTALLATION

INSTALLER'S NAME

INSTALLER'S ADDRESS

MODEL NUMBER

SERIAL NUMBER

NOTE: WARRANTY SERVICE MUST BE PERFORMED BY AN AUTHORIZED SERVICE AGENT. YOU MAY REQUEST WARRANTY SERVICE BY CALLING 800-449-8691. YOU MAY ALSO REQUEST SERVICE VIA THE INTERNET BY SUBMITTING THE SERVICE REQUEST FORM AT WWW.BLUESTARCOOKING.COM

In the Commonwealth of Massachusetts, gas connections must be performed by a licensed plumber or licensed gas fitter.

HANDLING

- REMOVE ALL WATCHES, BELT BUCKLES, JEWELRY, RINGS AND ANY CLOTHING WITH METAL BUTTONS OR SNAPS TO PREVENT DAMAGE TO THE HOOD.
- WHEN YOU BEGIN THE INSTALLATION PROCESS REMOVE THE HOOD FROM IT'S ORIGINAL CARTON AND PLACE THE HOOD ON A CLEAN, NON-ABRASIVE BLANKET.
- INSPECT THE HOOD CAREFULLY FOR ANY DAMAGE OR IMPERFECTIONS BEFORE YOU BEGIN TO INSTALL THE HOOD. IF ANY DAMAGE OR IMPERFECTIONS EXIST, RE-CARTON THE HOOD AND CALL YOUR DEALER IMMEDIATELY, DO NOT INSTALL A DAMAGED HOOD.
- IT IS HIGHLY RECOMMENDED THAT RUBBER GLOVES BE USED TO PREVENT SCRATCHES ON THE HOOD AND TO PROVIDE YOU WITH A FIRM GRIP.
- WHEN REMOVING THE HOOD FROM THE CARTON LOCATE THE FILTERS. THE FILTERS ARE PACKED SEPARATELY.

DO NOT REMOVE HOOD FROM ORIGINAL CARTON UNTIL YOU ARE READY TO INSTALL

UNPACKING

- CHECK THE PACKAGE FOR DAMAGE. IF ANY DAMAGE IS VISIBLE YOU SHOULD MARK THE BILL OF LADING YOU SIGN THAT THERE MAY BE CONCEALED DAMAGE.
- INSURE THE CONTAINER IS UPRIGHT. IF THE CONTAINER IS NOT UPRIGHT MAJOR DAMAGE CAN OCCUR TO YOUR APPLIANCE. IF DAMAGE IS DISCOVERED, DO NOT REFUSE DELIVERY. CONTACT THE DEALER AND FILE APPROPRIATE FREIGHT CLAIMS. SAVE ALL PACKAGING MATERIAL. DO NOT CONTACT THE MANUFACTURER. YOUR APPLIANCE WAS SHIPPED FROM THE DEALER YOU PURCHASED IT FROM. SHIPPING DAMAGE CLAIMS ARE TO BE RESOLVED BETWEEN THE CUSTOMER, SHIPPING CARRIER AND DEALER. THE MANUFACTURER MAY ASSIST IN RESOLVING ANY SUCH CLAIMS, BUT SUCH ASSISTANCE DOES NOT RELIEVE YOU OF YOUR RESPONSIBILITY.
- MOVE THE CONTAINER AS CLOSE TO ITS INSTALLATION LOCATION AS POSSIBLE. THIS WILL REDUCE MOVING AND HANDLING YOUR APPLIANCE ONCE IT IS OUT OF ITS SHIPPING CONTAINER
- DO NOT DISCARD PACKAGING WITHOUT FIRST LOCATING THE FILTERS
- INSPECT ALL MOLDED PACKAGING BEFORE DISCARDING

ANY DAMAGE MUST BE REPORTED BEFORE INSTALLING THE HOOD. ONCE THE HOOD HAS BEEN INSTALLED, NO RETURN WILL BE ACCEPTED!

MAKE SURE BLOWERS ARE FREE FROM OBSTRUCTIONS (PACKING AND DEBRIS). TEST RUN BLOWERS BEFORE FINALIZING INSTALLATION. CHECK WITH MANUFACTURER BEFORE ATTEMPTING TO USE OTHER THAN BLUESTAR BLOWER SYSTEMS. FOR TECHNICAL INFORMATION CONTACT BLUESTAR SERVICE (800-449-8691)

PACKING LIST FOR PRO LINE HOOD SERIES

PL30240—24" depth

- No blower (Sold and Packaged Separately)
- Two (2) Stainless Steel Baffle Filters
- Two (2) Pre-Installed Lights
- Lid for Electrical Box
- Use and Care Manual with Wiring Diagram

PL36240, PL42240—24" depth

- No blower (Sold and Packaged Separately)
- Four (4) Stainless Steel Baffle Filters
- Two (2) Pre-Installed Lights
- Lid for Electrical Box
- Use and Care Manual with Wiring Diagram

PL48240 , PL54240, — 24" Depth

- No blower (Sold and Packaged Separately)
- Six (6) Stainless Steel Baffle Filters
- Three (3) Pre-Installed Lights
- Lid for Electrical Box
- Use and Care Manual with Wiring Diagram

PL60240, PL66240 — 24" Depth

- No blower (Sold and Packaged Separately)
- Six (6) Stainless Steel Baffle Filters
- Three (3) Pre-Installed Lights
- Lid for Electrical Box
- Use and Care Manual with Wiring Diagram

PACKING LIST FOR PYRAMID STYLE HOOD SERIES

PC30240—24" depth

- No blower (Sold and Packaged Separately)
- Two (2) Stainless Steel Baffle Filters
- Two (2) Pre-Installed Lights
- Lid for Electrical Box
- Use and Care Manual with Wiring Diagram
- Duct cover sold packed in separate box (2 of2)

PC36240, PC42240—24" depth

- No blower (Sold and Packaged Separately)
- Four (4) Stainless Steel Baffle Filters
- Two (2) Pre-Installed Lights
- Lid for Electrical Box
- Use and Care Manual with Wiring Diagram
- Duct cover sold packed in separate box (2 of2)

PC48240 , PC54240, — 24" Depth

- No blower (Sold and Packaged Separately)
- Six (6) Stainless Steel Baffle Filters
- Three (3) Pre-Installed Lights
- Lid for Electrical Box
- Use and Care Manual with Wiring Diagram
- Duct cover sold packed in separate box (2 of2)

PC60240, PC66240 — 24" Depth

- No blower (Sold and Packaged Separately)
- Six (6) Stainless Steel Baffle Filters
- Three (3) Pre-Installed Lights
- Lid for Electrical Box
- Use and Care Manual with Wiring Diagram
- Duct cover sold packed in separate box (2 of2)

PACKING LIST FOR LOW PROFILE HOOD SERIES

BS-LPL24240, BS-LPL30240—24” depth

- One Pre-Installed 600 CFM blower
- Two (2) Stainless Steel Baffle Filters
- Two (2) Pre-Installed Lights
- Lid for Electrical Box
- Use and Care Manual with Wiring Diagram

BS-LPL36240—24” depth

- One Pre-Installed 600 CFM blower
- Four (4) Stainless Steel Baffle Filters
- Two (2) Pre-Installed Lights
- Lid for Electrical Box
- Use and Care Manual with Wiring Diagram

PACKING LIST FOR RE-CIRCULATING HOOD SERIES

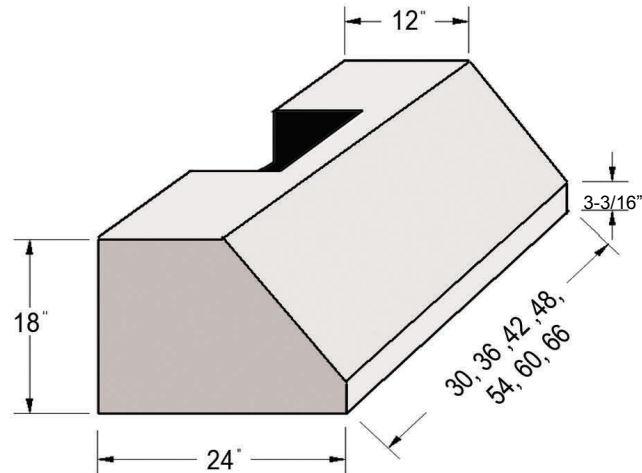
BS-LPLR24240, BS-LPLR30240—24” depth

- One Pre-Installed 520 CFM blower
- Two (2) Stainless Steel Baffle Filters
- Two (2) Charcoal Filters
- Two (2) Pre-Installed Lights
- Lid for Electrical Box
- Use and Care Manual with Wiring Diagram

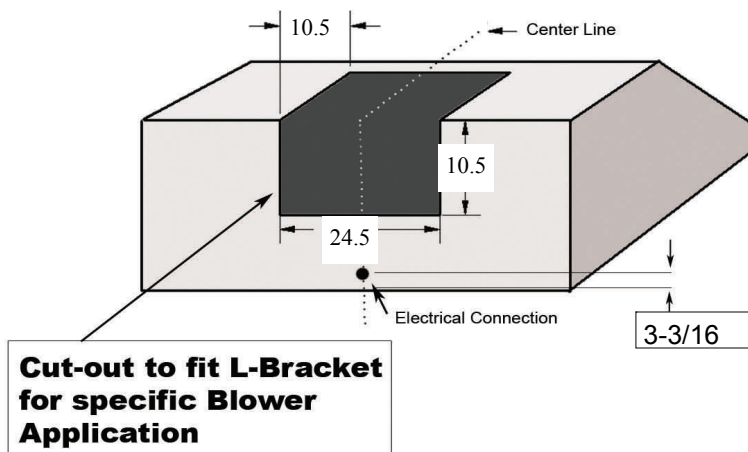
BS-LPLR36240—24” depth

- One Pre-Installed 520 CFM blower
- Four (4) Stainless Steel Baffle Filters
- Four (4) Charcoal Filters
- Two (2) Pre-Installed Lights
- Lid for Electrical Box
- Use and Care Manual with Wiring Diagram

DIMENSIONS OF THE PRO LINE SERIES HOOD



- INLET LOCATION FOR THE ELECTRICAL CONNECTION IS LOCATED NEAR THE REAR CENTER OF HOOD 3-3/16" FROM HOOD BOTTOM.
- ELECTRICAL REQUIREMENTS: 15 AMPS AT 120 VOLTS
- LIGHT BULBS ARE HALOGEN G9, 120V, 25W
- BULBS ARE OPERATED BY A DIMMER SWITCH
- BLOWER IS VARIABLE SPEED AND MUST BE PURCHASED SEPERATELY



SITE PREPARATION FOR PRO LINE SERIES

IN SELECTING THE PROPER HEIGHT TO MOUNT THE HOOD, TAKE INTO CONSIDERATION THE STATURE OF THE PERSON OR PERSONS WHO WILL BE COOKING. A HEIGHT OF 30", MINIMUM HEIGHT OFF OF COOKING SURFACE, TO 36" MAXIMUM HEIGHT OFF OF THE COOKING SURFACE, WILL SUIT MOST USERS. IF MOUNTED AT A HEIGHT GREATER THAN 36" ABOVE THE COOKING SURFACE, THE HOOD SHOULD BE AT LEAST 6" WIDER THAN THE COOKING APPLIANCE TO PROVIDE A PROPER CAPTURE OF HEAT AND GREASE. (REFER TO THE RANGE MANUFACTURER'S GUIDELINES). ONCE THE PROPER HEIGHT IS ESTABLISHED, DRAW A LEVEL LINE WHERE THE BOTTOM OF THE HOOD WILL REST. IF PRACTICAL, MOUNT A BOARD EQUAL TO THE WIDTH OF THE HOOD ALONG THE LINE SO YOU MAY REST THE HOOD ON IT WHILE INSTALLING. MARK A CENTER LINE ON THE WALL EQUAL TO THE ENTIRE HEIGHT OF THE HOOD TO ASSIST WITH THE PROPER DUCT ALIGNMENT AND HOOD PLACEMENT. DETERMINE STUD LOCATION AND MARK IT CLEARLY. BECAUSE OF THE WEIGHT OF THE HOOD MAKE SURE THAT THE MOUNTING SCREWS ARE DRIVEN INTO THE FRAMING AND NOT JUST THE DRYWALL. IT MAY BE NECESSARY TO DRILL ADDITIONAL HOLES INTO THE CANOPY FOR PROPER ALIGNMENT. IF ONLY ONE STUD CAN BE LOCATED, TOGGLE BOLTS OR ADDITIONAL FASTENING MUST BE INSTALLED TO FIRMLY SECURE THE HOOD TO THE WALL. INSTALL A 115 VOLT 15 AMP ELECTRICAL LEAD IN THE HOLE MARKED ON THE ROUGH-IN DIAGRAM. (FIG. A) EXAMPLE: LOCATION FOR A 36" HOOD IS 3-3/16" FROM THE BOTTOM, CENTERED ON THE HOOD. VERIFY THAT THE DUCTING IS IN THE CORRECT LOCATION FOR YOUR APPLICATION.

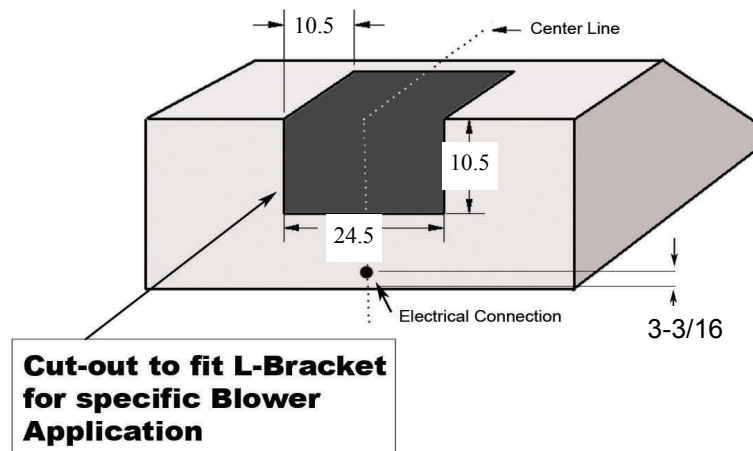
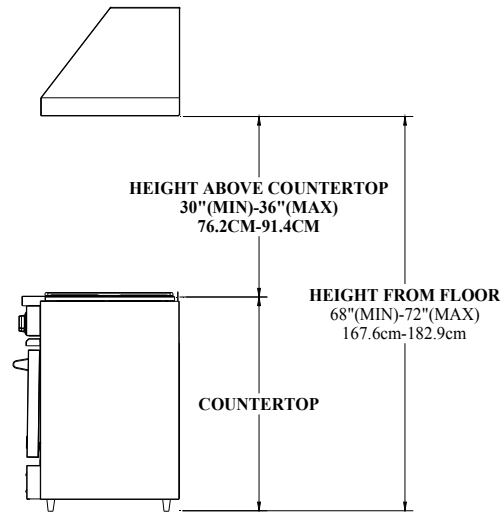


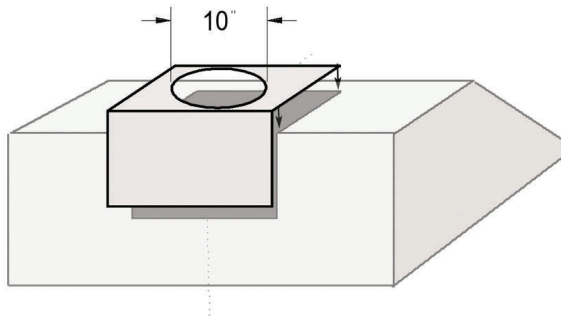
FIGURE A

THE CORRECT HEIGHT OF YOUR PRO LINE SERIES HOOD

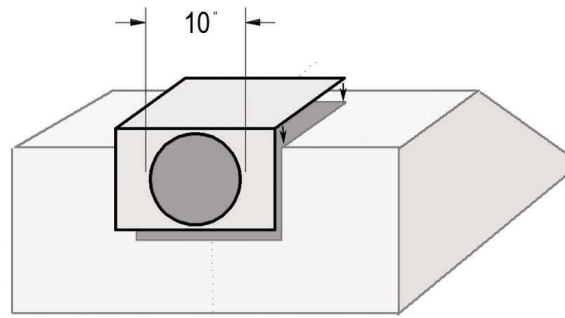


THE BOTTOM OF THE HOOD SHOULD BE 30" MINIMUM TO 36" MAXIMUM ABOVE THE COUNTERTOP. THIS WOULD TYPICALLY RESULT IN THE BOTTOM OF THE HOOD BEING 66" TO 72" ABOVE THE FLOOR. THE BOTTOM OF THE HOOD SHOULD NEVER BE MORE THAN 72" ABOVE THE FLOOR OR MORE THAN 36" ABOVE THE COUNTERTOP. THESE DIMENSIONS PROVIDE FOR SAFE AND EFFICIENT OPERATION OF THE HOOD. IF FOR SOME REASON THE HOOD IS MOUNTED GREATER THAN 72" FROM THE FLOOR, IT MUST BE 6" WIDER THAN THE RANGE.

ALL PL MODEL HOODS HAVE THE FLEXIBILITY TO EITHER DUCT FROM THE TOP OR REAR. CHECK MANUAL FOR RECOMMENDED TRANSITIONS.



TOP DISCHARGE



REAR DISCHARGE

PRO LINE DUCT INFORMATION

MODEL	BLOWER (cfm)	DUCT SIZE	TRANSITION
BS-PL30240	BS-PLIB600	6"	
BS-PL30240	BS-PLIB1200	10"	
BS-PL36240	BS-PLIB600	6"	
BS-PL36240	BS-PLIB1200	10"	TR6X15/10
BS-PL42240	BS-PLIB600	6"	
BS-PL42240	BS-PLIB1200	10"	TR6X15/10
BS-PL48240	BS-PLIB1200	10"	TR6X15/10
BS-PL54240	BS-PLIB1200	10"	TR6X15/10
BS-PL60240	BS-PLIB1200	10"	TR6X15/10
BS-PL66240	BS-PLIB1200	10"	TR6X15/10

BS-PLIB600 IS SIZED FOR A 6" DUCT. TRC8/6 TRANSITION IS AVAILABLE TO INCREASE THE DUCT SIZE TO 8" FOR OPTIMAL PERFORMANCE

IMPORTANT PLANNING INFORMATION!

PROPER INSTALLATION OF DUCTING IS EXTREMELY IMPORTANT FOR OPTIMAL PERFORMANCE OF YOUR BLUESTAR VENTILLATION SYSTEM.

- ALL CFM'S ARE BASED ON TESTS AT 0.1 STATIC PRESSURE; WITHOUT STATIC PRESSURE, ALL CFM'S WOULD BE OVERSTATED.
- STRAIGHT RUNS OR GRADUAL TURNS ARE BEST
- NEVER USE FLEXIBLE DUCT WORK
- PROPER PERFORMANCE IS DEPENDENT ON PROPER DUCT INSTALLATION, USE A QUALIFIED AND TRAINED INSTALLER
- CONSULT WITH LOCAL CODES FOR MAKE UP AIR REQUIREMENTS
- L-BRACKETS FOR THE INTERNAL BLOWER PACKAGES CAN BE MOUNTED FOR EITHER TOP OR REAR DISCHARGE
- BS-PLIB1200 BLOWERS REQUIRE AN ADDITIONAL PURCHASE OF A 10" TRANSITION

INSTALLATION OF YOUR PRO LINE SERIES HOOD BLOWER

INSTALLATION OF BS-PLIB600 INTERNAL BLOWER KIT REFER TO WIRING DIAGRAM

1. REMOVE SHIPPING BRACKET (SEE ITEM 1) FROM HOOD. DO NOT DISCARD SCREWS!
2. INSTALL BLOWER BRACKET WITH THE SCREWS REMOVED FROM THE SHIPPING BRACKET.
3. LOCATE THE TERMINAL BLOCK INSIDE THE ELECTRICAL SUPPLY BOX.
4. CONNECT FAN # 1 WIRE TO TERMINAL BLOCK #4.
5. CONNECT FAN # 1 WIRE TO TERMINAL BLOCK #6.
6. CONNECT THE 115 VOLT SUPPLY WIRE TO TERMINAL BLOCK #2.
7. CONNECT THE 115 VOLT SUPPLY WIRE TO TERMINAL BLOCK #1.

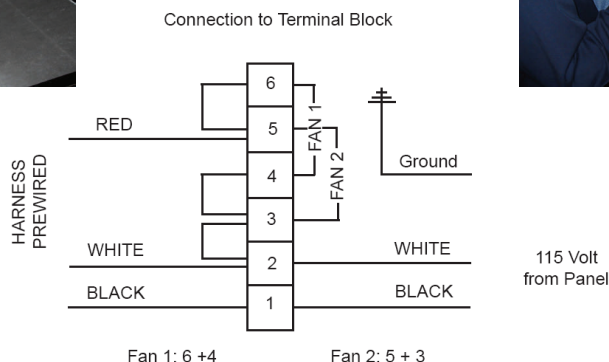
INSTALLATION OF BS-PLIB1200 INTERNAL BLOWER KIT REFER TO WIRING DIAGRAM

1. REMOVE SHIPPING BRACKET FROM HOOD. DO NOT DISCARD SCREWS!
FOR FAN #1
1. INSTALL BLOWER BRACKET WITH THE SCREWS REMOVED FROM THE SHIPPING BRACKET.
2. LOCATE THE TERMINAL BLOCK INSIDE THE ELECTRICAL SUPPLY BOX.
3. CONNECT FAN # 1 WIRE TO TERMINAL BLOCK #4.
4. CONNECT FAN # 1 WIRE TO TERMINAL BLOCK #6.
5. CONNECT THE 115 VOLT SUPPLY WIRE TO TERMINAL BLOCK #2.
6. CONNECT THE 115 VOLT SUPPLY WIRE TO TERMINAL BLOCK #1.
- FOR FAN #2**
1. CONNECT FAN #2 WIRE TO TERMINAL BLOCK #3.
2. CONNECT FAN #2 WIRE TO TERMINAL BLOCK #5.

Item 1: shipping bracket should be used with remote blower, as the attachment for the flue. Once removed attach blower as described above.



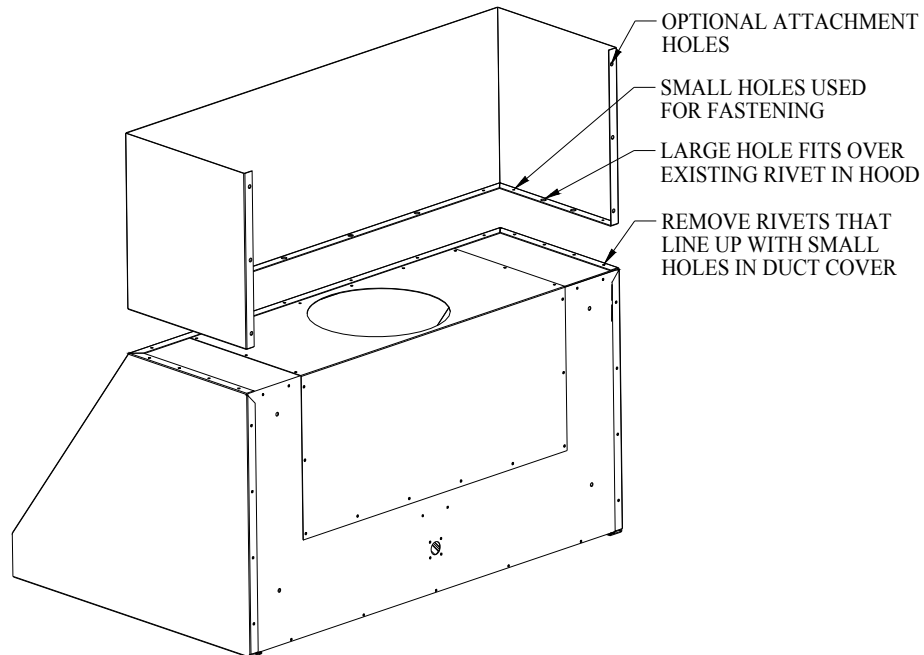
Shipping bracket
Blower motor bracket



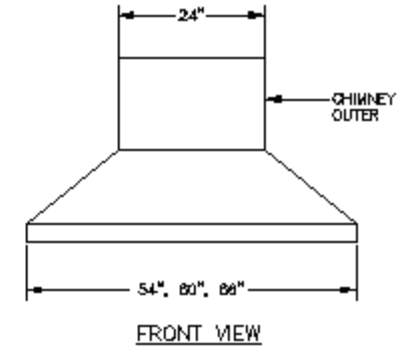
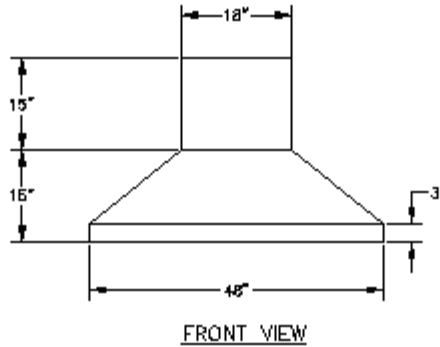
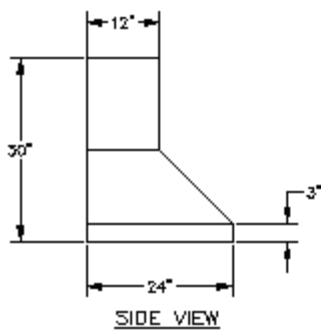
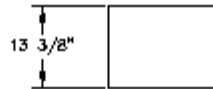
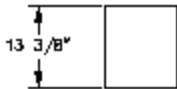
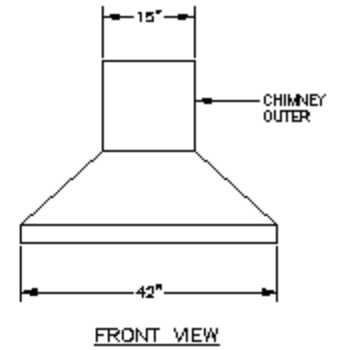
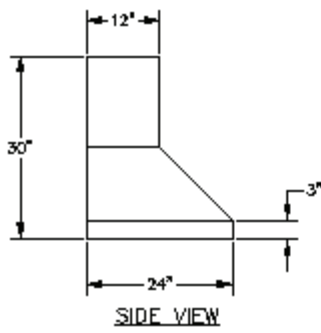
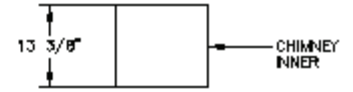
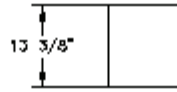
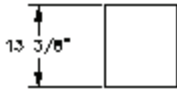
For remote fan use connection for Fan 1.

INSTALLATION GUIDE FOR PRO LINE DUCT COVER

- REMOVE POP RIVETS FROM PRO HOOD THAT CORRESPOND WITH THE SMALL HOLES ON THE DUCT COVER.
- INSTALL HOOD TO CORRECT HEIGHT (BE CAREFUL TO LEAVE 12" FOR DUCT COVER)
- SLIDE DUCT COVER OVER TOP OF HOOD
- MAKE SURE SMALL HOLES IN DUCT COVER FLANGE LINE UP WITH HOLES IN HOOD WHERE RIVETS WERE REMOVED
- FROM INSIDE HOOD, ATTACH DUCT COVER TO HOOD USING SHEETMETAL SCREWS



DIMENSIONS OF THE PYRAMID STYLE SERIES HOOD



SITE PREPARATION FOR PYRAMID STYLE SERIES

IN SELECTING THE PROPER HEIGHT TO MOUNT THE HOOD, TAKE INTO CONSIDERATION THE STATURE OF THE PERSON OR PERSONS WHO WILL BE COOKING. A HEIGHT OF 30", MINIMUM HEIGHT OFF OF COOKING SURFACE, TO 36" MAXIMUM HEIGHT OFF OF THE COOKING SURFACE, WILL SUIT MOST USERS. IF MOUNTED AT A HEIGHT GREATER THAN 36" ABOVE THE COOKING SURFACE, THE HOOD SHOULD BE AT LEAST 6" WIDER THAN THE COOKING APPLIANCE TO PROVIDE A PROPER CAPTURE OF HEAT AND GREASE. (REFER TO THE RANGE MANUFACTURER'S GUIDELINES). ONCE THE PROPER HEIGHT IS ESTABLISHED, DRAW A LEVEL LINE WHERE THE BOTTOM OF THE HOOD WILL REST. IF PRACTICAL, MOUNT A BOARD EQUAL TO THE WIDTH OF THE HOOD ALONG THE LINE SO YOU MAY REST THE HOOD ON IT WHILE INSTALLING. MARK A CENTER LINE ON THE WALL EQUAL TO THE ENTIRE HEIGHT OF THE HOOD TO ASSIST WITH THE PROPER DUCT ALIGNMENT AND HOOD PLACEMENT. DETERMINE STUD LOCATION AND MARK IT CLEARLY. BECAUSE OF THE WEIGHT OF THE HOOD MAKE SURE THAT THE MOUNTING SCREWS ARE DRIVEN INTO THE FRAMING AND NOT JUST THE DRYWALL. IT MAY BE NECESSARY TO DRILL ADDITIONAL HOLES INTO THE CANOPY FOR PROPER ALIGNMENT. IF ONLY ONE STUD CAN BE LOCATED, TOGGLE BOLTS OR ADDITIONAL FASTENING MUST BE INSTALLED TO FIRMLY SECURE THE HOOD TO THE WALL. INSTALL A 115 VOLT 15 AMP ELECTRICAL LEAD IN THE HOLE MARKED ON THE ROUGH-IN DIAGRAM. (FIG. A) EXAMPLE: LOCATION FOR A 36" HOOD IS 2.75" FROM THE BOTTOM, 18" FROM THE RIGHT OR LEFT EDGE. VERIFY THAT THE DUCTING IS IN THE CORRECT LOCATION FOR YOUR APPLICATION.

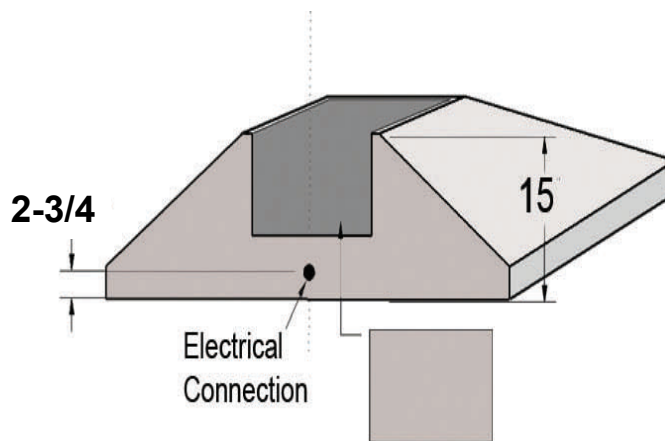
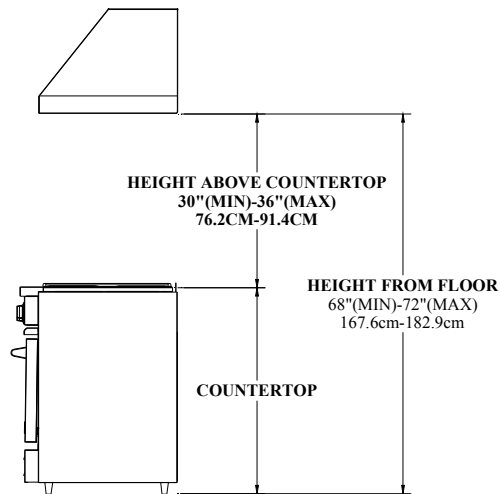


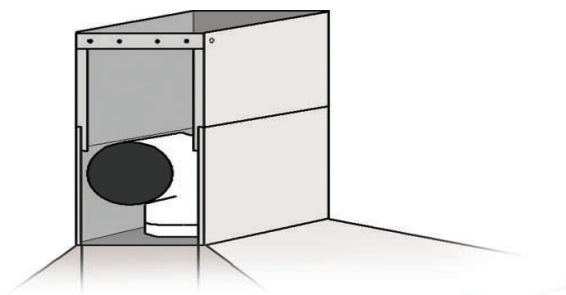
FIGURE A

THE CORRECT HEIGHT OF YOUR PYRAMID STYLE HOOD

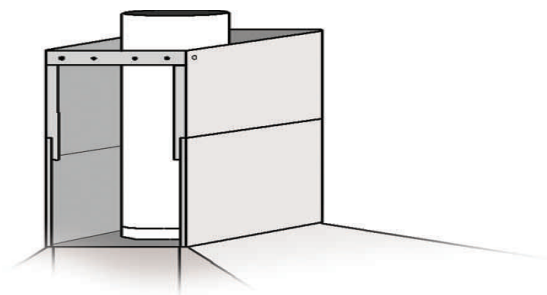


THE BOTTOM OF THE HOOD SHOULD BE 30" MINIMUM TO 36" MAXIMUM ABOVE THE COUNTERTOP. THIS WOULD TYPICALLY RESULT IN THE BOTTOM OF THE HOOD BEING 66" TO 72" ABOVE THE FLOOR. THE BOTTOM OF THE HOOD SHOULD NEVER BE MORE THAN 72" ABOVE THE FLOOR OR MORE THAN 36" ABOVE THE COUNTERTOP. THESE DIMENSIONS PROVIDE FOR SAFE AND EFFICIENT OPERATION OF THE HOOD. IF FOR SOME REASON THE HOOD IS MOUNTED GREATER THAN 72" FROM THE FLOOR, IT MUST BE 6" WIDER THAN THE RANGE.

ALL PC MODELS TOP DUCT ONLY. (NOTE: THE PC HOOD CAN BE DUCTED TO THE REAR WITH THE USE OF A 90 DEGREE ELBOW (NOT INCLUDED)). CHECK MANUAL FOR RECOMMENDED TRANSITIONS



REAR DISCHARGE



TOP DISCHARGE

PYRAMID STYLE DUCT INFORMATION

MODEL	BLOWER (cfm)	DUCT SIZE
BS-PC30240	BS-PCIB600	6"
BS-PC36240	BS-PCIB600	6"
BS-PC36240	BS-PCIB1200	10"
BS-PC42240	BS-PCIB600	6"
BS-PC42240	BS-PCIB1200	10"
BS-PC48240	BS-PCIB1200	10"
BS-PC54240	BS-PCIB1200	10"
BS-PC60240	BS-PCIB1200	10"
BS-PC66240	BS-PCIB1200	10"

BS-PCIB600 IS SIZED FOR A 6" DUCT. TRC8/6 TRANSITION IS AVAILABLE TO INCREASE THE DUCT SIZE TO 8" FOR OPTIMAL PERFORMANCE

IMPORTANT PLANNING INFORMATION

PROPER INSTALLATION OF DUCTING IS EXTREMELY IMPORTANT FOR OPTIMAL PERFORMANCE OF YOUR BLUESTAR VENTILLATION SYSTEM.

- ALL CFM'S ARE BASED ON TESTS AT 0.1 STATIC PRESSURE; WITHOUT STATICE PRESSURE, ALL CFM'S WOULD BE OVERSATATED.
- STRAIGHT RUNS OR GRADUAL TURNS ARE BEST
- NEVER USE FLEXIBLE DUCT WORK
- PROPER PERFORMANCE IS DEPENDENT ON PROPER DUCT INSTALLATION, USE A QUALIFIED AND TRAINED INSTALLER
- CONSULT WITH LOCAL CODES FOR MAKE UP AIR REQUIREMENTS

INSTALLATION OF YOUR PYRAMID STYLE HOOD BLOWER

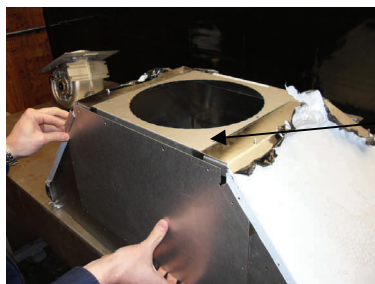
INSTALLATION OF BS-PCIB600 INTERNAL BLOWER KIT REFER TO WIRING DIAGRAM

1. REMOVE SHIPPING BRACKET(SEE ITEM 1) FROM HOOD. DO NOT DISCARD SCREWS!
2. INSTALL BLOWER BRACKET WITH THE SCREWS REMOVED FROM THE SHIPPING BRACKET.
3. LOCATE THE TERMINAL BLOCK INSIDE THE ELECTRICAL SUPPLY BOX.
4. CONNECT FAN # 1 WIRE TO TERMINAL BLOCK #4.
5. CONNECT FAN # 1 WIRE TO TERMINAL BLOCK #6.
6. CONNECT THE 115 VOLT SUPPLY WIRE TO TERMINAL BLOCK #2.
7. CONNECT THE 115 VOLT SUPPLY WIRE TO TERMINAL BLOCK #1.

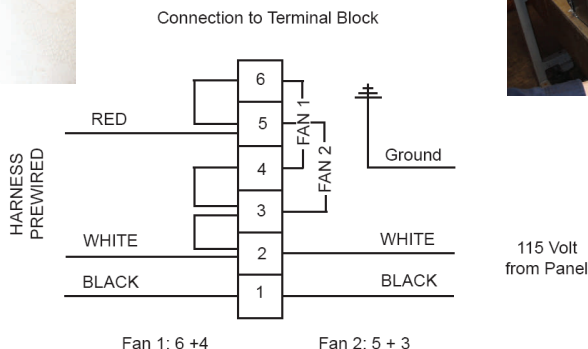
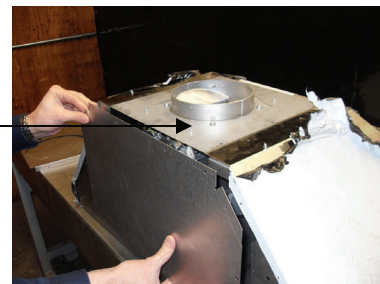
INSTALLATION OF IBS-PCIB1200 INTERNAL BLOWER KIT REFER TO WIRING DIAGRAM

1. REMOVE SHIPPING BRACKET FROM HOOD. DO NOT DISCARD SCREWS!
FOR FAN #1
1. INSTALL BLOWER BRACKET WITH THE SCREWS REMOVED FROM THE SHIPPING BRACKET.
2. LOCATE THE TERMINAL BLOCK INSIDE THE ELECTRICAL SUPPLY BOX.
3. CONNECT FAN # 1 WIRE TO TERMINAL BLOCK #4.
4. CONNECT FAN # 1 WIRE TO TERMINAL BLOCK #6.
5. CONNECT THE 115 VOLT SUPPLY WIRE TO TERMINAL BLOCK #2.
6. CONNECT THE 115 VOLT SUPPLY WIRE TO TERMINAL BLOCK #1.
- FOR FAN #2**
1. CONNECT FAN #2 WIRE TO TERMINAL BLOCK #3.
2. CONNECT FAN #2 WIRE TO TERMINAL BLOCK #5.

Item 1: shipping bracket should be used with remote blower, as the attachment for the flue. Once removed attach blower as described above.



Shipping bracket
Blower motor bracket

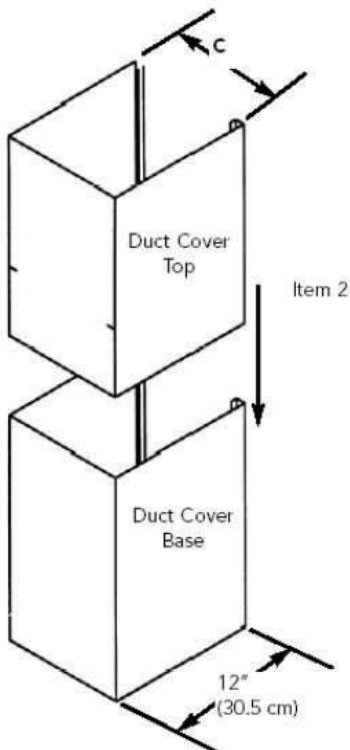
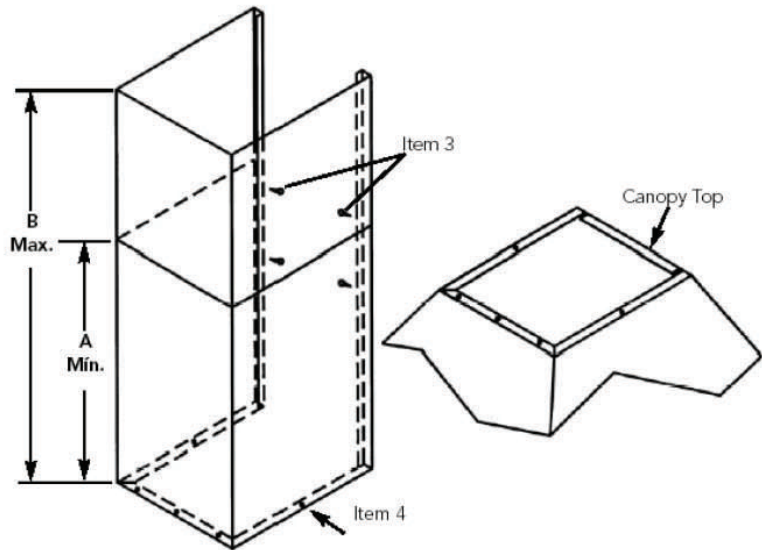
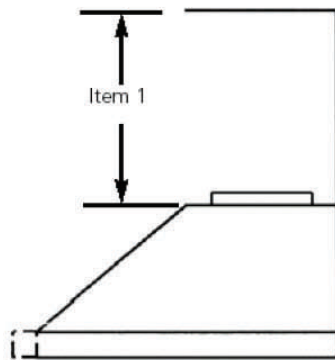


For remote fan use connection for Fan 1.

INSTALLATION GUIDE FOR FLUE (PYRAMID STYLE HOOD)

1. MEASURE FROM TOP OF THE CANOPY TO CEILING AND SUBTRACT 1/8" FOR CLEARANCE.
2. PLACE THE DUCT COVER TOP INSIDE THE DUCT COVER BASE AND LOWER UNTIL DESIRED HEIGHT IS FOUND. (TO ELIMINATE SCRATCHES, MAKE A MARK ON THE DUCT COVER TOP FOR THE DESIRED LOWERING POINT BY SUBTRACTING 15" FROM THE TOTAL HEIGHT NEEDED.)
3. USE THE RETAINING SCREWS TO FASTEN IN PLACE.
4. SLIDE THE DUCT COVER IN PLACE AND FASTEN FROM INSIDE CANOPY USING SHEET METAL SCREWS.

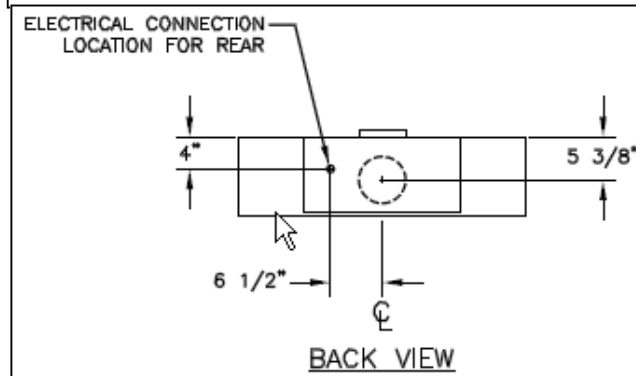
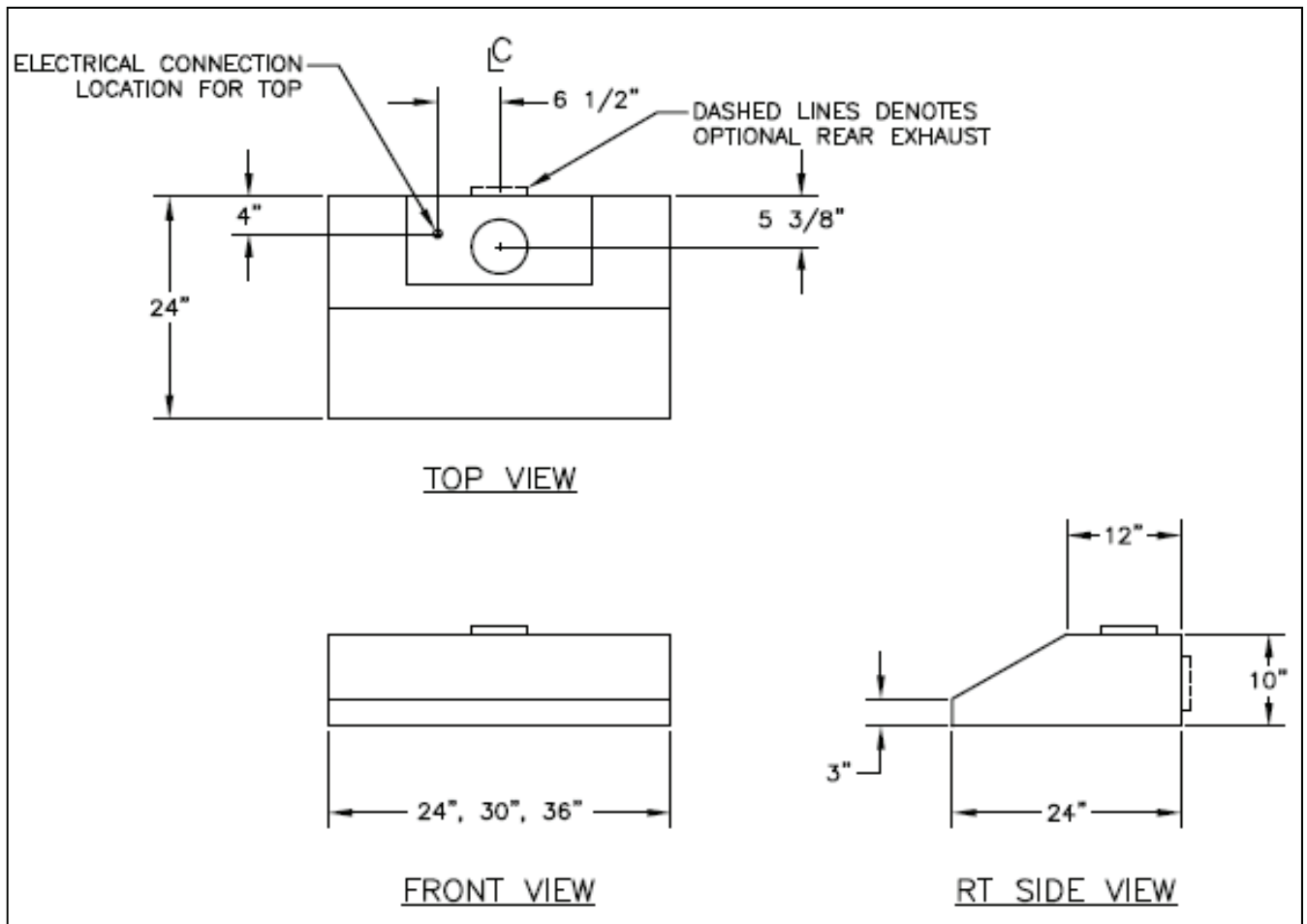
NOTE: FOR INSTALLATIONS WITH CEILINGS ABOVE 9', USE OPTIONAL CUSTOM FLUES. SEE PRODUCT LITERATURE FOR DETAILS.



<u>MODEL</u>	<u>"A" DIM</u>	<u>"B" MAXIMUM</u>	<u>"C" DIM</u>
BS-PC30240	15"	27"	12"
BS-PC36240	15"	27"	12"
BS-PC42240	15"	27"	15"
BS-PC48240	15"	27"	18"
BS-PC54240	15"	27"	24"
BS-PC60240	15"	27"	24"
BS-PC60240	15"	27"	24"

DIMENSIONS OF THE LOW PROFILE SERIES HOOD

- INLET LOCATION FOR THE ELECTRICAL CONNECTION IS LOCATED ON TOP FOR STANDARD TOP EXHAUST AND ON REAR FOR OPTIONAL REAR EXHAUST. (SEE DETAIL BELOW)
- ELECTRICAL REQUIREMENTS: 15 AMPS AT 120 VOLTS
- LIGHT BULBS ARE HALOGEN G9, 120V, 25W
- BULBS ARE OPERATED BY A DIMMER SWITCH
- BLOWER IS VARIABLE SPEED



SITE PREPARATION FOR LOW PROFILE SERIES HOOD

IN SELECTING THE PROPER HEIGHT TO MOUNT THE HOOD, TAKE INTO CONSIDERATION THE STATURE OF THE PERSON OR PERSONS WHO WILL BE COOKING. A HEIGHT OF 30", MINIMUM HEIGHT OFF OF COOKING SURFACE, TO 36" MAXIMUM HEIGHT OFF OF THE COOKING SURFACE, WILL SUIT MOST USERS. IF MOUNTED AT A HEIGHT GREATER THAN 36" ABOVE THE COOKING SURFACE, THE HOOD SHOULD BE AT LEAST 6" WIDER THAN THE COOKING APPLIANCE TO PROVIDE A PROPER CAPTURE OF HEAT AND GREASE. (REFER TO THE RANGE MANUFACTURER'S GUIDELINES). ONCE THE PROPER HEIGHT IS ESTABLISHED, DRAW A LEVEL LINE WHERE THE BOTTOM OF THE HOOD WILL REST. IF PRACTICAL, MOUNT A BOARD EQUAL TO THE WIDTH OF THE HOOD ALONG THE LINE SO YOU MAY REST THE HOOD ON IT WHILE INSTALLING. MARK A CENTER LINE ON THE WALL EQUAL TO THE ENTIRE HEIGHT OF THE HOOD TO ASSIST WITH THE PROPER DUCT ALIGNMENT AND HOOD PLACEMENT. DETERMINE STUD LOCATION AND MARK IT CLEARLY. BECAUSE OF THE WEIGHT OF THE HOOD MAKE SURE THAT THE MOUNTING SCREWS ARE DRIVEN INTO THE FRAMING AND NOT JUST THE DRYWALL. IT MAY BE NECESSARY TO DRILL ADDITIONAL HOLES INTO THE CANOPY FOR PROPER ALIGNMENT. IF ONLY ONE STUD CAN BE LOCATED, TOGGLE BOLTS OR ADDITIONAL FASTENING MUST BE INSTALLED TO FIRMLY SECURE THE HOOD TO THE WALL. INSTALL A 115 VOLT 15 AMP ELECTRICAL LEAD IN THE HOLE MARKED ON THE ROUGH-IN DIAGRAM. SEE FIGURE A. VERIFY THAT THE DUCTING IS IN THE CORRECT LOCATION FOR YOUR APPLICATION.

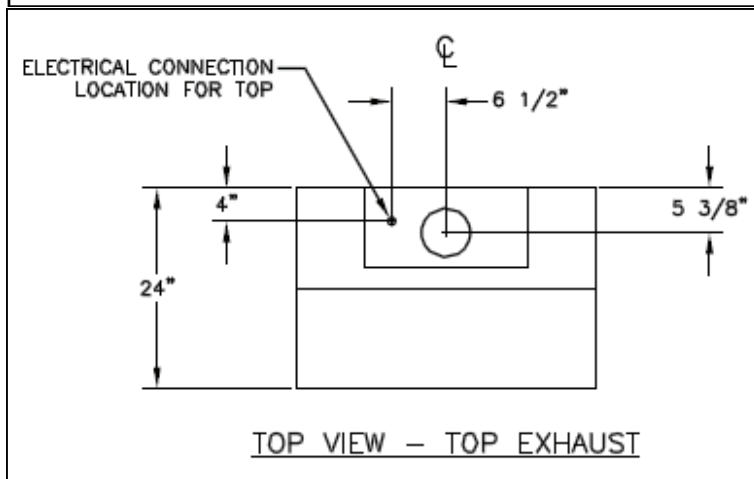
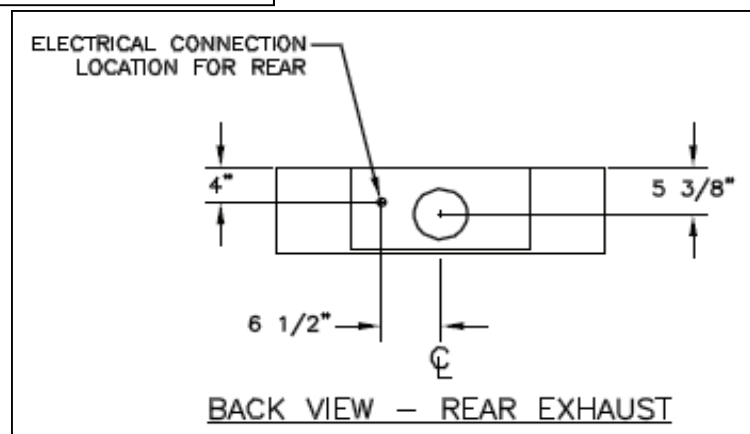
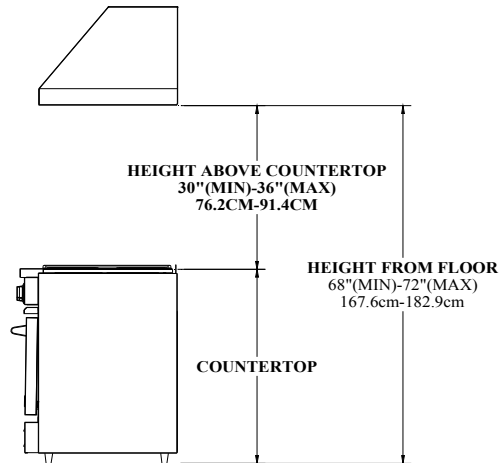


FIGURE A



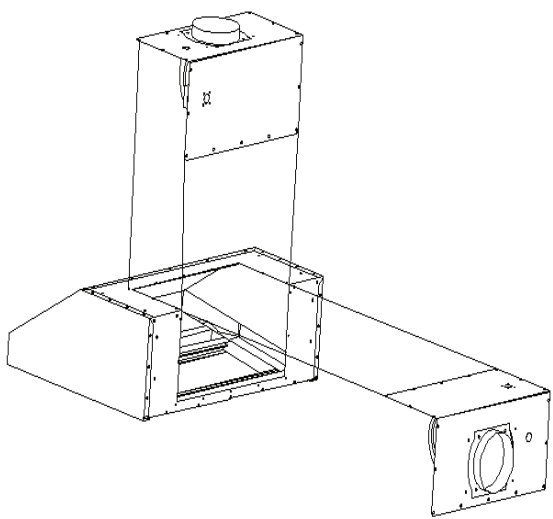
THE CORRECT HEIGHT OF YOUR LOW PROFILE SERIES



THE BOTTOM OF THE HOOD SHOULD BE 30" MINIMUM TO 36" MAXIMUM ABOVE THE COUNTERTOP. THIS WOULD TYPICALLY RESULT IN THE BOTTOM OF THE HOOD BEING 66" TO 72" ABOVE THE FLOOR. THE BOTTOM OF THE HOOD SHOULD NEVER BE MORE THAN 72" ABOVE THE FLOOR OR MORE THAN 36" ABOVE THE COUNTERTOP. THESE DIMENSIONS PROVIDE FOR SAFE AND EFFICIENT OPERATION OF THE HOOD. IF FOR SOME REASON THE HOOD IS MOUNTED GREATER THAN 72" FROM THE FLOOR, IT MUST BE 6" WIDER THAN THE RANGE.

LOW PROFILE MODEL HOODS HAVE THE FLEXIBILITY TO EITHER DUCT FROM THE TOP OR REAR. CHECK MANUAL FOR RECOMMENDED TRANSITIONS.

STDANDARD
TOP EXHAUST



REAR EXHAUST INSTRUCTIONS:

- 1 - REMOVE BAFFLE FILTERS IF ALREADY INSTALLED AND SET UNIT DOWN WITH THE BLOWER EXHAUST FACING UPWARD ON A CLEAN, NON-ABRASIVE BLANKET.
- 2 - REMOVE ALL L-BRACKET BLOWER ASSEMBLY MOUNTING SCREWS AND SET THEM ASIDE FOR REASSEMBLY LATER.
- 3 - REMOVE THE L-BRACKET BLOWER ASSEMBLY FROM THE UNIT BEING CAREFUL NOT TO DAMAGE ANY WIRES.
- 4 - CAREFULLY FLIP THE L-BRACKET BLOWER ASSEMBLY AS SHOWN AND SET BACK INTO PLACE ON THE UNIT. REINSTALL THE SCREWS YOU HAD SET ASIDE AND TIGHTEN.
- 5 - FLIP UNIT UPSIDE DOWN AND CHECK THAT THE WIRING IS CLEAR FROM ALL MOVING PARTS. IF NECESSARY, TIE DOWN ANY LOOSE WIRES TO THE UNIT.
- 6 - HOOD IS NOW READY FOR INSTALLATION. SEE "SITE PREPARATION FOR PRO LINE SERIES".

LOW PROFILE DUCT INFORMATION

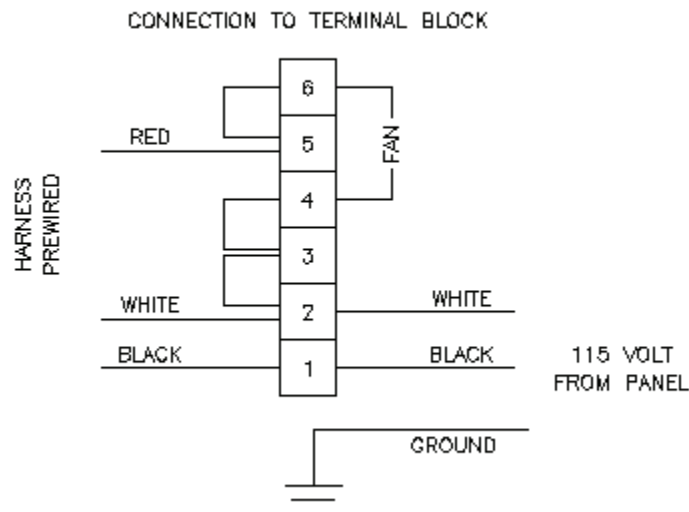
TRC8/6 TRANSITION IS AVAILABLE TO INCREASE THE DUCT SIZE TO 8" FOR OPTIMAL PERFORMANCE

IMPORTANT PLANNING INFORMATION!

PROPER INSTALLATION OF DUCTING IS EXTREMELY IMPORTANT FOR OPTIMAL PERFORMANCE OF YOUR BLUESTAR VENTILLATION SYSTEM.

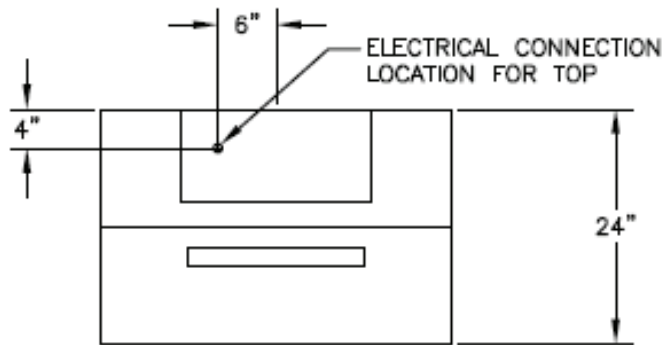
- ALL CFM'S ARE BASED ON TESTS AT 0.1 STATIC PRESSURE; WITHOUT STATIC PRESSURE, ALL CFM'S WOULD BE OVERSTATED.
- STRAIGHT RUNS OR GRADUAL TURNS ARE BEST
- NEVER USE FLEXIBLE DUCT WORK
- PROPER PERFORMANCE IS DEPENDENT ON PROPER DUCT INSTALLATION, USE A QUALIFIED AND TRAINED INSTALLER
- CONSULT WITH LOCAL CODES FOR MAKE UP AIR REQUIREMENTS

LOW PROFILE HOOD WIRING

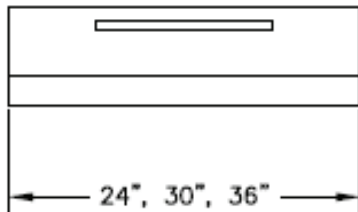


DIMENSIONS OF THE RE-CIRCULATING HOOD

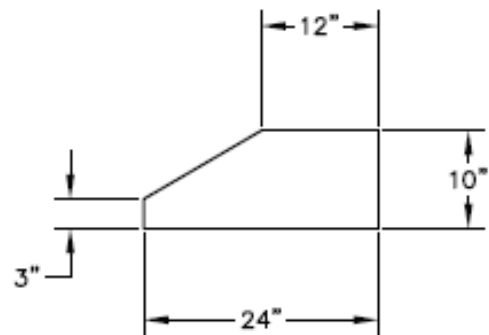
- INLET LOCATION FOR THE ELECTRICAL CONNECTION IS LOCATED ON TOP OR REAR. (SEE DETAIL BELOW)
- ELECTRICAL REQUIREMENTS: 15 AMPS AT 120 VOLTS
- LIGHT BULBS ARE HALOGEN G9, 120V, 25W
- BULBS ARE OPERATED BY A DIMMER SWITCH
- BLOWER IS VARIABLE SPEED



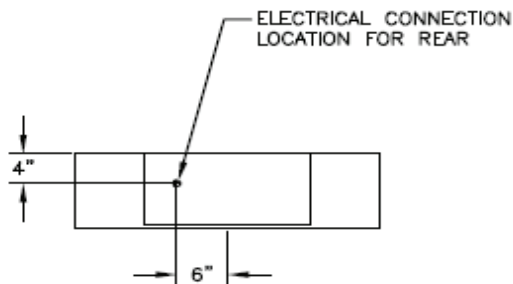
TOP VIEW



FRONT VIEW



RT SIDE VIEW



BACK VIEW

SITE PREPARATION FOR RE-CIRCULATING HOOD

IN SELECTING THE PROPER HEIGHT TO MOUNT THE HOOD, TAKE INTO CONSIDERATION THE STATURE OF THE PERSON OR PERSONS WHO WILL BE COOKING. A HEIGHT OF 30", MINIMUM HEIGHT OFF OF COOKING SURFACE, TO 36" MAXIMUM HEIGHT OFF OF THE COOKING SURFACE, WILL SUIT MOST USERS. IF MOUNTED AT A HEIGHT GREATER THAN 36" ABOVE THE COOKING SURFACE, THE HOOD SHOULD BE AT LEAST 6" WIDER THAN THE COOKING APPLIANCE TO PROVIDE A PROPER CAPTURE OF HEAT AND GREASE. (REFER TO THE RANGE MANUFACTURER'S GUIDELINES). ONCE THE PROPER HEIGHT IS ESTABLISHED, DRAW A LEVEL LINE WHERE THE BOTTOM OF THE HOOD WILL REST. IF PRACTICAL, MOUNT A BOARD EQUAL TO THE WIDTH OF THE HOOD ALONG THE LINE SO YOU MAY REST THE HOOD ON IT WHILE INSTALLING. MARK A CENTER LINE ON THE WALL EQUAL TO THE ENTIRE HEIGHT OF THE HOOD TO ASSIST WITH THE PROPER DUCT ALIGNMENT AND HOOD PLACEMENT. DETERMINE STUD LOCATION AND MARK IT CLEARLY. BECAUSE OF THE WEIGHT OF THE HOOD MAKE SURE THAT THE MOUNTING SCREWS ARE DRIVEN INTO THE FRAMING AND NOT JUST THE DRYWALL. IT MAY BE NECESSARY TO DRILL ADDITIONAL HOLES INTO THE CANOPY FOR PROPER ALIGNMENT. IF ONLY ONE STUD CAN BE LOCATED, TOGGLE BOLTS OR ADDITIONAL FASTENING MUST BE INSTALLED TO FIRMLY SECURE THE HOOD TO THE WALL. INSTALL A 115 VOLT 15 AMP ELECTRICAL LEAD IN THE HOLE MARKED ON THE ROUGH-IN DIAGRAM. SEE FIGURE A. VERIFY THAT THE DUCTING IS IN THE CORRECT LOCATION FOR YOUR APPLICATION.

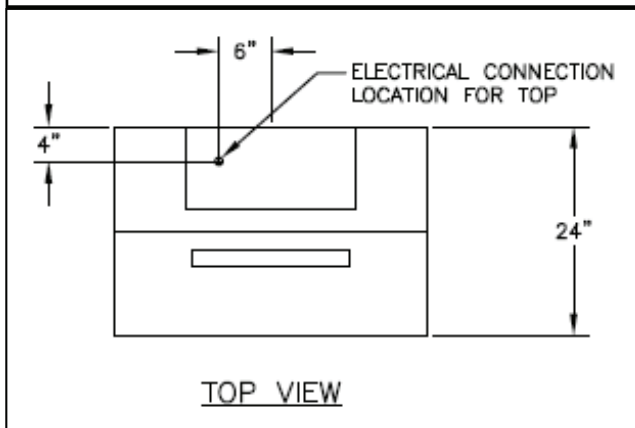
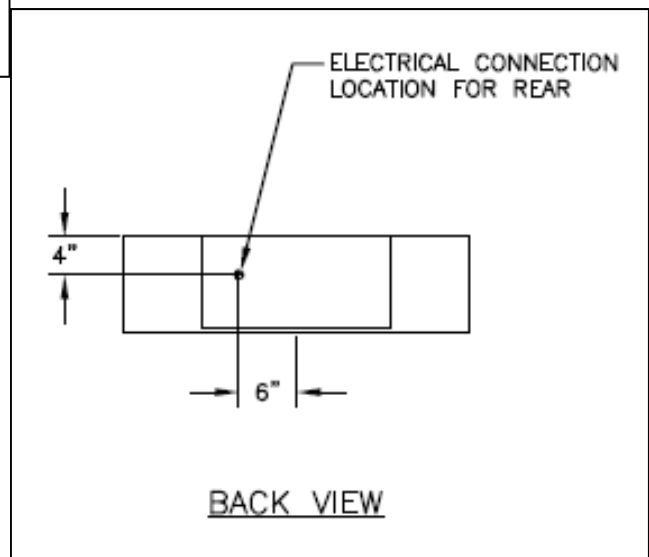
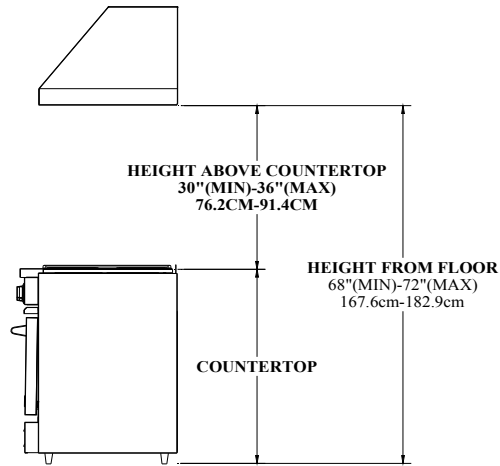


FIGURE A



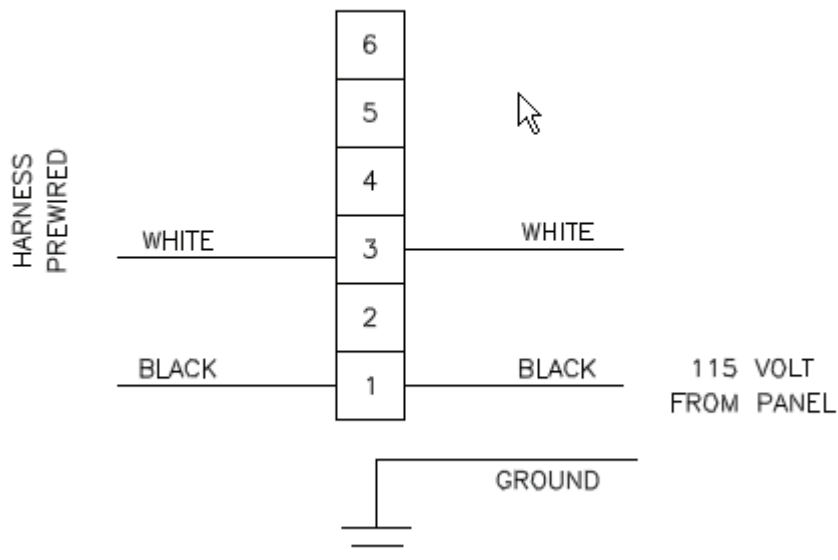
THE CORRECT HEIGHT OF YOUR RE-CIRCULATING HOOD



THE BOTTOM OF THE HOOD SHOULD BE 30" MINIMUM TO 36" MAXIMUM ABOVE THE COUNTERTOP. THIS WOULD TYPICALLY RESULT IN THE BOTTOM OF THE HOOD BEING 66" TO 72" ABOVE THE FLOOR. THE BOTTOM OF THE HOOD SHOULD NEVER BE MORE THAN 72" ABOVE THE FLOOR OR MORE THAN 36" ABOVE THE COUNTERTOP. THESE DIMENSIONS PROVIDE FOR SAFE AND EFFICIENT OPERATION OF THE HOOD. IF FOR SOME REASON THE HOOD IS MOUNTED GREATER THAN 72" FROM THE FLOOR, IT MUST BE 6" WIDER THAN THE RANGE.

RE-CIRCULATING HOOD WIRING

CONNECTION TO TERMINAL BLOCK



CLEANING AND MAINTENANCE

YOUR HOOD MUST BE KEPT CLEAN AND MAINTAINED PROPERLY!!

BAFFLE FILTERS

- BAFFLE FILTERS SHOULD BE EXAMINED PERIODICALLY TO ASSURE THAT ALL SURFACES AND PARTS ARE CLEAN
- THE FILTERS ARE DISHWASHER SAFE OR IN A SINK WITH HOT, SOAPY WATER
- EASY PERIODIC CLEANING WILL ASSURE OPTIMUM FILTER PERFORMANCE
- DO NOT USE CAUSTIC DETERGENT TO CLEAN THE FILTERS. ABRASIVE CLEANERS MAY HARM OR DAMAGE THE FINISH
- DO NOT DISASSEMBLE THE BAFFLE FILTER. DISASSEMBLY WILL VOID THE WARRANTY.

CANOPY

- DO NOT USE ABRASIVE CLEANERS, STEEL WOOL PADS, ABRASIVE CLOTHS OR CLEANERS WITH CHLORIDES
- DO NOT ALLOW GREASE TO ACCUMULATE, FOR BEST RESULTS WIPE THE CANOPY DOWN WITH A SOFT CLOTH AND HOT, SOAPY WATER

THE CLEANING OF THE OUTSIDE OF THE HOOD DEPENDS ON THE MATERIAL USED AS A DECORATIVE EXTERIOR. FOR STAINLESS STEEL AND POWDER COATED METALS, CLEAN WITH SOAP AND WATER ONLY. DO NOT USE ABRASIVE OR AGGRESSIVE CHEMICALS!

REPLACING THE LIGHT BULBS

- REMOVE GLASS COVER, PULL OUT HALOGEN BULB.
- REPLACE WITH HALOGEN G9 BULB, 120V, 25W. NOTE: DO NOT TOUCH HOLOGEN BULB (S) WITH BARE HANDS.
- REPLACE GLASS COVER.

WARRANTY

WHAT IS COVERED?

Prizer-Painter provides the following limited warranties to the original retail purchasers of Products sold and installed in the continental United States and Canada on or after February 22, 2002:

Initial Seven (7) Day Limited Warranty. Prizer-Painter warrants that all cosmetic components of its products will, under normal use and service, be free from defects in materials and workmanship for a period of seven (7) calendar days from the date of delivery (the "Warranty Period") to the original retail purchaser. For purposes of this Limited Warranty, cosmetic components include top grates, ring grates, plate rail, kick panel, body sides, glass, control panel, door panel, back guards, oven seals, light bulbs, and enameled parts. All warranty claims for cosmetic items must be reported immediately within seven calendar days of delivery or such claims will not be honored. Please refer to your installation checklist to activate your limited warranty.

One (1) Year Limited Warranty. Prizer-Painter warrants that all functional components (except cast iron burner tops) of its products will, under normal use and service, be free from defects in materials and workmanship for a period of one (1) year from the date of delivery (the "Warranty Period") to the original retail purchaser. For purposes of this Limited Warranty, functional components include all components of the product other than the cosmetic components covered by the initial seven day limited warranty and the cast iron burner tops covered by the 10 year limited warranty. Please refer to your installation checklist to activate your limited warranty. **Failure to send a complete and accurate copy of the installation checklist within 15 days of installation will invalidate your limited warranty.**

Ten (10) Year Limited Warranty. Prizer-Painter warrants that all functional components of its cast iron burner tops will, under normal use and service, be free from defects in materials and workmanship for a period of ten (10) years from the date of delivery (the "Warranty Period") to the original retail purchaser. Please refer to your installation checklist to activate your limited warranty. **Failure to send a complete and accurate copy of the installation checklist within 15 days of installation will invalidate your limited warranty.**

If any Product fails to comply with the foregoing Limited Warranties during the applicable Warranty Period, Prizer-Painter will, at its option, either (i) pay the reasonable labor and material costs to have the Product repaired by a factory authorized service agent; (ii) replace the Product or defective component of the Product; or (iii) if in Prizer-Painter's sole judgment circumstances are such as to preclude the remedying of any breach of warranty by repair or replacement, then Prizer-Painter will refund the purchase price paid by the original purchaser. All repairs or replacement service must be performed by a factory authorized service agent. Additionally, all Products must be accessible for service in the home and must be accessible via public highways within 100 miles roundtrip of a factory authorized service agent. The purchaser will be responsible for the cost of additional mileage, non-standard service and special equipment to remove the Product for service so that there is accessibility on all sides of the Product.

The repair or replacement of the Product or the return of the purchase price will be the purchaser's sole and exclusive remedy for any breach of this Limited Warranty or any other claim with respect to the Product, including those claims based on contract, warranty, or tort. In no event will Prizer-Painter's liability for any defective Product exceed the purchase price thereof. This exclusive remedy will not be deemed to have failed of its essential purpose so long as Prizer-Painter is willing and able to repair and/or replace defective Products in the manner prescribed herein or to provide a refund if, in Prizer-Painter's sole judgment, repair or replacement is not feasible or appropriate under the circumstances.

WARRANTY

WHAT IS NOT COVERED?

This Limited Warranty is the sole and exclusive warranty provided for the Product and extends only to original retail purchasers in the continental United States and Canada. This Limited Warranty is not transferable to any subsequent purchasers or users. If any implied warranties arise under any applicable law (including, but not limited to, implied warranties of merchantability and fitness for particular purpose), then the duration of those implied warranties will last only as long as the express warranties stated above.

Prizer-Painter will not under any circumstances be liable for any special, indirect, incidental or consequential damages of any kind, including but not limited to loss of business or profits, loss of use, or installation or removal costs. Nor will Prizer-Painter be responsible for any shipping costs related to the repair or replacement of any Product under this Limited Warranty. Some States do not allow the exclusion or limitation of incidental or consequential damages or limitations on how long implied warranties last, so the above limitations may not apply to you.

This Limited Warranty does not apply to commercial usage or to any Products installed in any non-residential settings such as day cares, bed and breakfasts, hotels, nursing homes, churches, etc. This Limited Warranty also does not cover, and specifically excludes, chipping porcelain, calibrations and normal adjustments after installation and setup, burner adjustments, normal care and maintenance, cleaning of parts, shipping damage, discoloration of the griddle, rust, gasket materials, ceramic materials, and fuses. Additionally, there is no warranty coverage for any Products that fail or have been damaged due to alterations or modifications; abuse; misuse; neglect; improper installation, instruction, handling, operation, maintenance or storage; accidental or intentional damage; normal wear and tear; unauthorized service or repairs, including unauthorized adjustments or calibrations performed on the Product; damage from natural disasters, fires, floods, earthquakes or other acts of God; loss of electrical power to the Product for any reason; alteration for outdoor use; damage due to the use of harsh chemicals (e.g., cleaning products improperly applied); or any other circumstances beyond Prizer-Painter's control. This Limited Warranty is also invalid if the original factory installed serial number has been altered or removed from the Product.

The Purchaser is responsible for proper installation and normal care and maintenance of the Product. This warranty gives you specific legal rights, and you may also have other rights which vary from State to State.

OBTAINING WARRANTY SERVICE

All warranty claims must be reported to Prizer-Painter Stove Works, Inc., 600 Arlington St., Reading, Pennsylvania 19611 prior to the expiration of the applicable Warranty Period. If a warranty claim relates to cosmetic parts, any such claim must be reported to Prizer-Painter within seven (7) calendar days after the Product has been delivered. The purchaser must call the factory at the toll free 1-800-449-8691 to report a warranty claim or to obtain information about warranty service. If any warranty claim is not submitted as required by this Limited Warranty, any such claim will be invalid and will not be honored. At the time the warranty claim is made, the purchaser must provide the model number of the Product, the serial number of the Product, proof of delivery, a description of the claimed defect, and proof of purchase of the Product, including the original retail receipt or invoice to establish the Warranty Period. Prizer-Painter must also be given an opportunity to inspect any defective Product.

All warranty repairs must be performed by a factory authorized service agent. Service will be provided during normal business hours. The purchaser will be responsible for any labor performed at overtime or premium rates. The purchaser is also responsible for making the Product accessible for service.

PERFORMANCE CHECKLIST

This checklist has been developed to assure proper installation of your appliance
 To validate your warranty you must mail or fax this form and a copy of your receipt to:
 Warranty Department, Prizer-Painter, 600 Arlington Street, Reading, PA 19611, Fax (610) 376-2596

Customer Information (Please Print)

Product Information (Please Print)

Name: _____ Model No: _____
 Address: _____ Serial No: _____
 City: _____ Purchase Date: _____
 State, Zip Code: _____ Installation Date: _____
 e-mail: _____ Installer's Name: _____
 Telephone: _____ Company: _____

CHECK ALL THAT APPLY

Dealer: _____ Telephone: _____

Unpacking

Packaging Condition	<u>GOOD</u>	<u>BAD</u>
Baffles Included	<input type="checkbox"/> YES	<input type="checkbox"/> NO
Flue (optional on some units)	<input type="checkbox"/> YES	<input type="checkbox"/> NO
Owner Manual Included	<input type="checkbox"/> YES	<input type="checkbox"/> NO
User Manual Included	<input type="checkbox"/> YES	<input type="checkbox"/> NO

Appearance and Aesthetics

Exterior clean and scratch free	<input type="checkbox"/> YES	<input type="checkbox"/> NO
Interior clean	<input type="checkbox"/> YES	<input type="checkbox"/> NO

Installation

Read User Manual	<input type="checkbox"/> YES	<input type="checkbox"/> NO
Product was installed Level	<input type="checkbox"/> YES	<input type="checkbox"/> NO
Properly Hung	<input type="checkbox"/> YES	<input type="checkbox"/> NO
Clearances (min. 30" above counter)	<input type="checkbox"/> YES	<input type="checkbox"/> NO

Controls and lights

Switches work	<input type="checkbox"/> YES	<input type="checkbox"/> NO
Lights work	<input type="checkbox"/> YES	<input type="checkbox"/> NO

Electrical Connection

Correct Voltage	<input type="checkbox"/> YES	<input type="checkbox"/> NO
Grounded Electric	<input type="checkbox"/> YES	<input type="checkbox"/> NO
Polarity correct	<input type="checkbox"/> YES	<input type="checkbox"/> NO

CUSTOMER COPY

PERFORMANCE CHECKLIST

This checklist has been developed to assure proper installation of your appliance
 To validate your warranty you must mail or fax this form and a copy of your receipt to:
 Warranty Department, Prizer-Painter, 600 Arlington Street, Reading, PA 19611, Fax (610) 376-2596

Customer Information (Please Print)

Product Information (Please Print)

Name: _____ Model No: _____
 Address: _____ Serial No: _____
 City: _____ Purchase Date: _____
 State, Zip Code: _____ Installation Date: _____
 e-mail: _____ Installer's Name: _____
 Telephone: _____ Company: _____
 Dealer: _____ Telephone: _____

CHECK ALL THAT APPLY

Unpacking

Packaging Condition	<u>GOOD</u>	<u>BAD</u>
Baffles Included	<input type="checkbox"/> YES	<input type="checkbox"/> NO
Flue (optional on some units)	<input type="checkbox"/> YES	<input type="checkbox"/> NO
Owner Manual Included	<input type="checkbox"/> YES	<input type="checkbox"/> NO
User Manual Included	<input type="checkbox"/> YES	<input type="checkbox"/> NO

<u>Appearance and Aesthetics</u>		
Exterior clean and scratch free	<input type="checkbox"/> YES	<input type="checkbox"/> NO
Interior clean	<input type="checkbox"/> YES	<input type="checkbox"/> NO

<u>Installation</u>		
Read User Manual	<input type="checkbox"/> YES	<input type="checkbox"/> NO
Product was installed Level	<input type="checkbox"/> YES	<input type="checkbox"/> NO
Properly Hung	<input type="checkbox"/> YES	<input type="checkbox"/> NO
Clearances (min. 30" above counter)	<input type="checkbox"/> YES	<input type="checkbox"/> NO

<u>Controls and lights</u>		
Switches work	<input type="checkbox"/> YES	<input type="checkbox"/> NO
Lights work	<input type="checkbox"/> YES	<input type="checkbox"/> NO

<u>Electrical Connection</u>		
Correct Voltage	<input type="checkbox"/> YES	<input type="checkbox"/> NO
Grounded Electric	<input type="checkbox"/> YES	<input type="checkbox"/> NO
Polarity correct	<input type="checkbox"/> YES	<input type="checkbox"/> NO

MAIL-IN COPY

