

Craftmade

CEILING FANS

Est. 1985

READ THESE INSTRUCTIONS AND
SAVE THEM FOR FUTURE USE



Bellows I

Installation Guide

For Models:

BW116AG3

BW116SS3

Table of Contents:

Safety Tips. pg. 1

Unpacking Your Fan. pg. 2

Parts Inventory. pg. 2

Installation Preparation. pg. 3

Installation of Wall Bracket. pgs. 3 - 4

Installation of Fan. pg. 4

Wiring. pg. 5

Testing Your Fan. pg. 6

Troubleshooting. pg. 6

Warranty. pg. 6

Parts Replacement. pg. 6



Intertek
3170356

APPROVED FOR USE
IN DAMP LOCATIONS

net weight of fan: 13.73 lb (6.23 kg)

PRINTED IN CHINA

SAFETY TIPS.

WARNING: To reduce the risk of electrical shock, turn off the electricity to the fan at the main fuse box or circuit panel before you begin the fan installation or before servicing the fan or installing accessories.

1. **READ ALL INSTRUCTIONS AND SAFETY INFORMATION CAREFULLY BEFORE INSTALLING YOUR FAN AND SAVE THESE INSTRUCTIONS.**

CAUTION: To avoid personal injury, the use of gloves may be necessary while handling fan parts with sharp edges.

CAUTION: To reduce the risk of personal injury, mount the fan base to a stud, wood post or beam using the hardware provided with your fan.

2. Make sure all electrical connections comply with Local Codes or Ordinances, the National Electrical Code, and ANSI/NFPA 70-1999. If you are unfamiliar with electrical wiring, please use a qualified electrician.
3. Make sure you have a location selected for your fan that allows clear space for the fan to rotate and at least seven (7) feet (2.13 meters)* of clearance between the floor and the fan.
*Please note that in Canada, it must be 8.3 feet (2.53 meters) of clearance.

WARNING: The stud, wood post or beam on which the fan will be installed must be securely mounted and capable of supporting at least 50 pounds (22,68 kilograms). The stud or wood beam must be supported directly by the building structure.

WARNING: Support Fan Directly from Building Structure. To avoid personal injury, damage to fan and possible electrical shock and/or fire, do NOT install fan directly to Sheetrock™ (drywall); fan must first be secured to appropriate size stud or wood beam underneath.

4. After installation is complete, check that all connections are absolutely secure.
5. Do not insert anything between the fan blades while they are rotating.

WARNING: To reduce the risk of personal injury or electrical shock, the fan should be installed where it will be out of reach of children. The fan is **NOT** a toy--**DO NOT** play with the fan or allow anyone else to play with the fan.

WARNING: To reduce the risk of personal injury, do not bend the blade arms. Do not insert objects into the path of the blades.

WARNING: To reduce the risk of personal injury or electrical shock, do not operate the fan if the cord or plug has been damaged.

WARNING: To reduce the risk of fire, avoid the use of an extension cord. **If** an extension cord is used, it **must** be CUL or CETL listed in Canada or UL or ETL listed in USA. **NEVER** use more than one extension cord to operate the fan.

WARNING: To avoid personal injury or damage to the fan and other items, be cautious when working around or cleaning the fan.

6. Do not use water or detergents when cleaning the fan or fan blades. A dry dust cloth or lightly dampened cloth will be suitable for most cleaning.

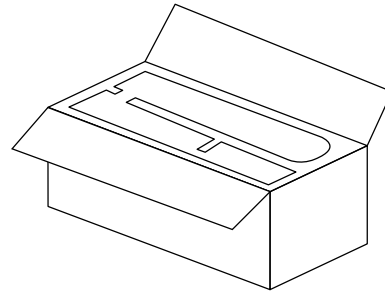
WARNING: To reduce the risk of personal injury, use **only** parts provided with this fan. **The use of parts OTHER than those provided with this fan will void the warranty.**

NOTE: The important safety precautions and instructions appearing in the manual are not meant to cover all possible conditions and situations that may occur. It must be understood that common sense and caution are necessary factors in the installation and operation of this fan.

1. Unpacking Your Fan.

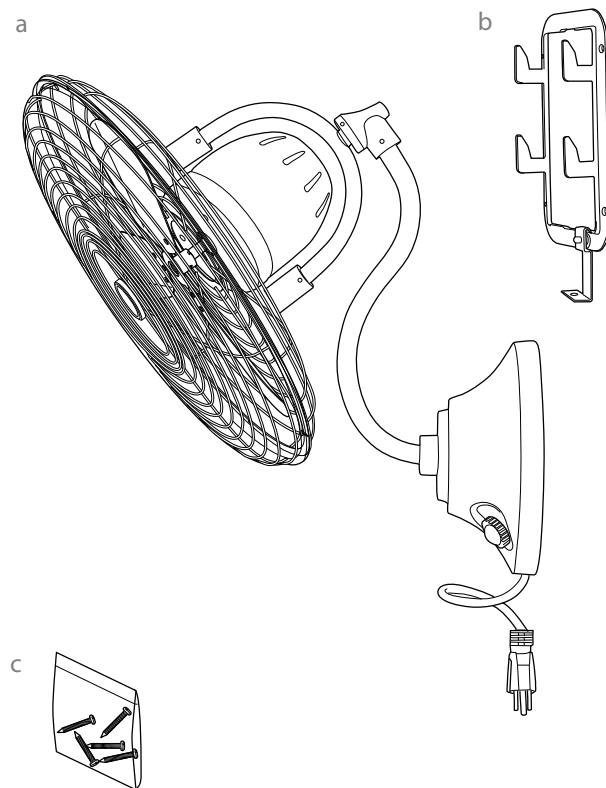
Carefully open the packaging. Remove items from Styrofoam inserts. Remove fan assembly and place on carpet or Styrofoam to avoid damage to finish. Do not discard fan carton or Styrofoam inserts should this fan need to be returned for repairs.

Check against parts inventory that all parts have been included.



2. Parts Inventory.

- a. fan assembly. 1 piece
- b. wall bracket. 1 piece
- c. hardware pack



⚠ IMPORTANT REMINDER: You must use the parts provided with this fan for proper installation and safety. **⚠**

3. Installation Preparation.

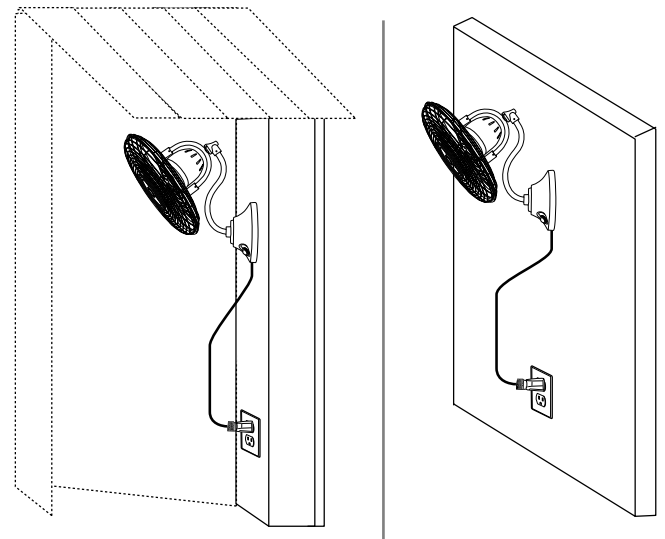
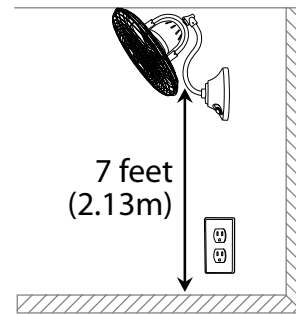
To prevent personal injury and damage, ensure that the hanging location allows the fan a clearance of 7 feet (2.13m) from the floor to prevent accidental contact with the fan blades.

*This fan can only be mounted on an **INDOOR wall** or on an **ENCLOSED porch** or **ENCLOSED patio wall**.*

CAUTION: If you are going to attach the fan to a wood stud or wood post, the stud or wood post must be wide enough and thick enough to sustain the wall bracket and the weight of the fan.

Installation requires these tools:

Phillips screwdriver, flathead screwdriver, adjustable pliers or wrench and stepladder



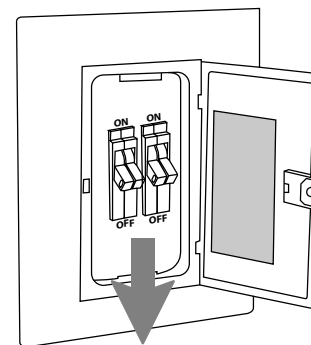
**ENCLOSED porch or
ENCLOSED patio
wall installation**

**INDOOR
wall installation**

4. Installation of Wall Bracket.

Turn off circuit breakers to current fixture from breaker panel and be sure operating light switch is turned to the OFF position.

WARNING: Failure to disconnect power supply prior to installation may result in serious injury.



["Installation of Wall Bracket" continued on following page.]

4. Installation of Wall Bracket. (cont.)

First determine the approximate position of where you want the fan to be located on the wall. [Remember that the fan must be mounted at least 7 feet (2.13m) from the floor.] Then, locate the stud in the wall.

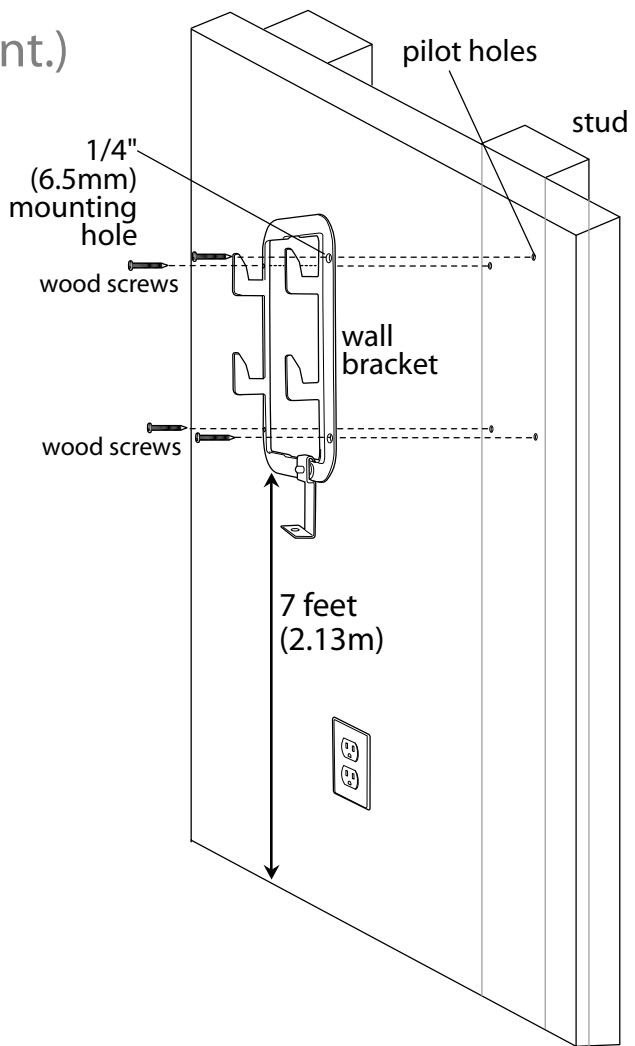
You **MUST** use **ALL FOUR** holes in wall bracket when installing wall bracket. Position wall bracket on wood stud or wood post and mark 4 hole locations.

Drill 4 **pilot holes** over holes marked into wood stud or wood post. Position wall bracket over pilot holes and install a wood screw (provided in hardware pack) into each hole.

ALTERNATE CONCRETE WALL INSTALLATION:

Use all 4 mounting 1/4" (6.5mm) holes when installing wall bracket on a concrete wall. The 3/16 in. (5mm) concrete wall anchors necessary for this type of installation are **NOT** provided and must be purchased separately. **Make sure that concrete wall anchors can support a total of 80 lbs.**

WARNING: It is very important that you use the proper hardware when installing the wall bracket as this will support the fan.



5. Installation of Fan.

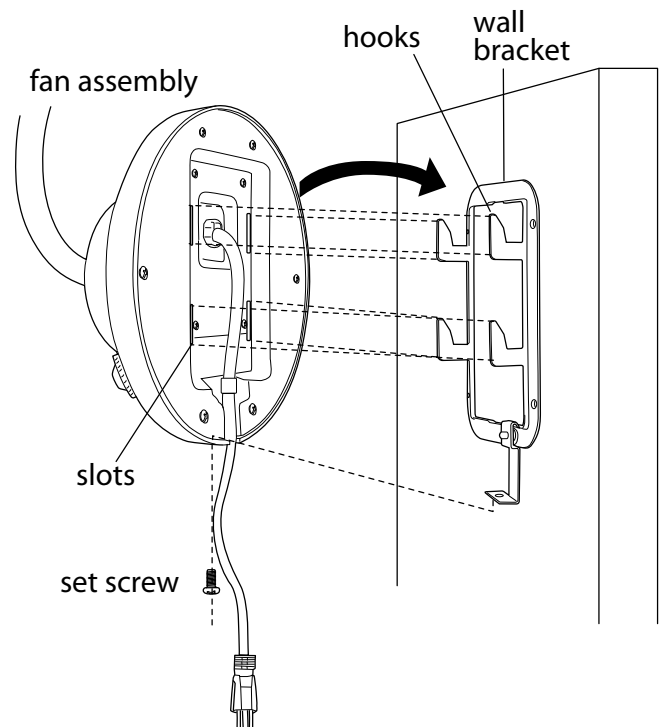
Tip: Seek the help of another person to hold the stepladder in place and to help lift the fan up to you once you are set on the ladder.

Remove set screw at bottom of fan assembly. With the wall bracket secured to the wall and able to support the fan, you are now ready to hang the fan.

Grab the fan firmly with two hands. Align the 4 slots in the middle of the back of the fan assembly with the 4 hooks on the wall bracket and then pull down firmly on fan assembly.

WARNING: Make sure that all 4 hooks on the wall bracket have engaged completely with the 4 slots in the fan assembly and that the fan assembly is stable.

Replace set screw at bottom of wall bracket--*be sure to securely tighten set screw.*



6. Wiring.

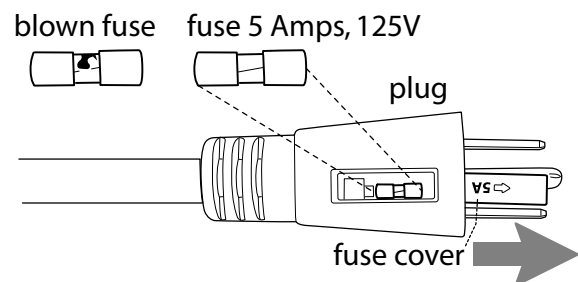
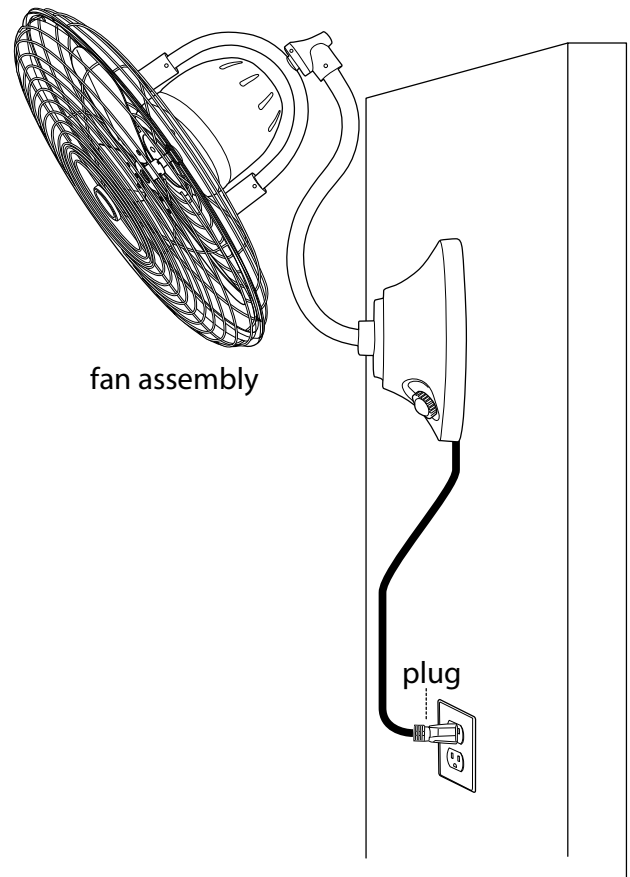
Make sure all electrical connections comply with Local Codes or Ordinances and the National Electrical Code (or the Canadian Electric Code). If you are unfamiliar with electrical wiring please use a qualified electrician.

Insert power cord securely into proper wall outlet.

WARNING: The power cord is equipped with a three-prong grounded plug that must be inserted into a matching receptacle. Under no circumstances must the grounding prong be cut off the plug. Where a two-prong wall receptacle is encountered, it must be replaced with a properly grounded **three-prong** receptacle installed in accordance with the National Electrical Code (or the Canadian Electric Code) and all applicable local codes and ordinances. This work must be done only by a qualified electrician, using copper wire only.

The three-prong plug is installed with a fuse that is a vital safety device. A filament inside the fuse is designed to melt and cut the circuit if the current gets too high. This prevents damage to your fan and the person using it and stops the power cord from overheating to the point where it could catch fire.

If you should need to replace the fuse, unplug fan. Locate the fuse cover at end of the plug on the power cord. Slide fuse cover open to expose fuse. Using needle-nose pliers, remove fuse. Inspect fuse--the small, glass tube with metal on each end--to determine whether it will need to be replaced. [If the fuse is blown, it will look dark and smudged or the visible wire inside will be broken.] Use a replacement fuse with a rating of 5 amps, 125 volts only and insert fuse in between the metal brackets inside the fuse housing. Slide the fuse cover completely back on.



7. Testing Your Fan.

It is recommended that you test the fan before finalizing installation. Restore power from circuit box and light switch (if applicable). Test fan speeds with wall control on the **left** side. Start at the "Off" position (no blade movement). One turn of dial on fan will set fan to HIGH (**H**). Two turns will set fan to MEDIUM (**M**). Three turns will set fan to LOW (**L**). Test the oscillation function with the wall control on the **right** side. Start at the "Off" position and turn to the ON position to . If fan does not function properly, please refer to "Troubleshooting" section to solve any issues before contacting Customer Service.

Troubleshooting.

WARNING: Failure to disconnect power supply prior to troubleshooting any wiring issues may result in serious injury.

Problem: Fan fails to operate.

Solutions:

1. Check power to wall switch.
2. Verify that dial on *left* side of fan is set on High (H), Medium (M), or Low (L) speed.
3. Check to be sure that the 3-prong plug from the fan is plugged in properly and into the correct outlet.
4. Check to be sure the fuse located in the 3-prong plug is still good. [**Note:** Check to be sure which appliance blew the fuse before replacing fuse.]

Problem: Fan fails to oscillate.

Solutions:

1. Check power to wall switch.
2. Verify that dial on *right* side of fan is set to the ON position.

Problem: Fan wobbles.

Solutions:

1. Check that wall bracket is secure.
2. Check to be sure that fan is securely mounted on wall bracket.
3. Check that set screw at base of wall bracket is securely tightened.

Warranty.

CRAFTMADE/ELLINGTON LIFETIME WARRANTY:

CRAFTMADE/ELLINGTON warrants this fan to the original household purchaser for use in damp locations (which is defined as indoors, enclosed porches or enclosed patios) under the following provisions:

1-YEAR WARRANTY: CRAFTMADE/ELLINGTON will replace or repair any fan which has faulty performance due to a defect in material or workmanship. Contact Craftmade/Ellington Customer Service at **1-800-486-4892** to arrange for return of fan. Return fan, shipping prepaid, to Craftmade/Ellington. We will repair or ship you a replacement fan, and we will pay the return shipping cost.

5-YEAR WARRANTY: CRAFTMADE/ELLINGTON will repair or replace at no charge to the original purchaser any fan motor that fails to operate satisfactorily when failure results from normal use.

RETURN FAN MOTOR ONLY, shipping prepaid, to Craftmade/Ellington. We will repair or ship purchaser a replacement motor and Craftmade/Ellington will pay the return shipping cost.

6-YEAR to LIFETIME LIMITED WARRANTY:

CRAFTMADE/ELLINGTON will repair the fan, at no charge for labor only to the original purchaser, if the fan motor fails to operate satisfactorily when failure results from normal use. Parts used in the repair will be billed to the purchaser at prevailing prices at time of repair.

The purchaser shall be responsible for all costs incurred in the removal, reinstallation and shipping of the product for repairs.

This warranty does not apply when damage from outdoor use and/or mechanical, physical, electrical or water abuse results in causing the malfunction. Deterioration of finishes or other parts due to time or exposure to salt air is specifically exempted under this warranty.

Neither Craftmade/Ellington nor the manufacturer will assume any liability resulting from improper installation or use of this product. In no case shall the company be liable for any consequential damages for breach of this, or any other warranty expressed or implied whatsoever. This limitation as to consequential damages shall not apply in states where prohibited.

Parts Replacement.

For parts and information, please refer to "Parts Inventory" on page 2.

Craftmade/Ellington Customer Support:

1-800-486-4892

www.craftmadebrands.com

Craftmade

CEILING FANS

Est. 1985

Craftmade

CEILING FANS

Est. 1985

LEER ESTAS INSTRUCCIONES Y
GUARDARLAS PARA UTILIZACION FUTURA

Bellows I

Guía de instalación

Para modelos:

BW116AG3

BW116SS3



Índice de materias:

- Sugerencias de seguridad. Pág. 1
- Desempaquetado del ventilador. Pág. 2
- Inventario de piezas. Pág. 2
- Preparación para la instalación. Pág. 3
- Instalación de la abrazadera de pared. Págs. 3 - 4
- Instalación del ventilador. Pág. 4
- Instalación eléctrica. Pág. 5
- Verificación del funcionamiento del ventilador. Pág. 6
- Localización de fallas. Pág. 6
- Garantía. Pág. 6
- Piezas de repuesto. Pág. 6



Intertek
3170356

APROBADO PARA USO
EN LUGARES HUMEDOS

peso neto del ventilador: 6,23 kg (13,73 lb)

IMPRESO EN CHINA

SUGERENCIAS DE SEGURIDAD.

ADVERTENCIA: Para evitar la posibilidad de una descarga eléctrica, desconectar la corriente en la caja de fusibles principal o el interruptor protector antes de iniciar la instalación del ventilador o antes de repararlo o instalar accesorios.

1. **LEER TODAS LAS INSTRUCCIONES E INFORMACION DE SEGURIDAD CUIDADOSAMENTE ANTES DE INSTALAR SU VENTILADOR Y GUARDAR ESTAS INSTRUCCIONES.**

PRECAUCION: Para reducir el riesgo de daño corporal, es posible que sea necesario usar guantes al manejar las piezas del ventilador que tengan bordes afilados.

PRECAUCION: Para reducir el riesgo de daño corporal, sentar la base del ventilador en el entramado, en un poste de madera, o una viga usando los artículos de ferretería provistos con este ventilador.

2. Asegurarse de que todas las conexiones eléctricas cumplan con los Códigos o las Ordenanzas Locales, el Código Nacional Eléctrico y ANSI/NFPA 70-1999. Si usted no está familiarizado con el alambrado eléctrico favor de buscar un electricista calificado.
3. Asegurarse de que haya localizado una ubicación para su ventilador que permita el espacio necesario para la rotación del ventilador y por lo menos 2,13 metros (7 pies)* de espacio libre entre el piso y el ventilador. [*Favor de notar que en el Canadá, la distancia libre sobre el piso debe ser de 2,53 metros (8,3 pies).]

ADVERTENCIA: El entramado, el poste de madera, o la viga debe estar bien sujetado(a) a la viga de soporte del techo y debe ser capaz de sostener por lo menos 22,68 kilogramos (50 libras). El entramado o el poste de madera debe tener apoyo directo en la estructura del edificio.

ADVERTENCIA: Apoyar el Ventilador Directamente en la Estructura del Edificio. Para reducir el riesgo de daño corporal, algún daño al ventilador y la posibilidad de riesgo de incendio y/o una descarga eléctrica, NO instalar el ventilador directamente en el Sheetrock™ o "drywall" (cartón piedra o tablaroca); primeramente el ventilador tiene que estar bien sujeto al tamaño correspondiente de entramado o madera que se encuentre debajo de ello.

4. Después de haber terminado la instalación, asegurarse de que todas las conexiones estén totalmente seguras.
5. No insertar ningún objeto entre las aspas mientras estén rotando.

ADVERTENCIA: Para reducir el riesgo de daño corporal o descarga eléctrica, se debe instalar el ventilador lejos del alcance de los niños. El ventilador **NO** es juguete--**NO** jugar con el ventilador ni permitir que nadie juegue con él.

ADVERTENCIA: Para reducir el riesgo de daño corporal, no doblar los brazos de las aspas durante el ensamblaje ni durante la instalación. No insertar objetos entre las aspas mientras estén rotando.

ADVERTENCIA: Para reducir el riesgo de daño corporal o descarga eléctrica, no prender el ventilador si el cordón o el enchufe está dañado.

ADVERTENCIA: Para reducir el riesgo de incendio, evitar usar un cable de extensión. **Si es que** se usa un cable de extensión, éste **tiene que** estar registrado con CUL o CETL en el Canadá o UL o ETL en EEUU. **NUNCA** utilice más de un cable de extensión para hacer funcionar el ventilador.

ADVERTENCIA: Para reducir el riesgo de daño corporal o algún daño al ventilador, tener cuidado al estar trabajando alrededor del ventilador o limpiándolo.

- 6 No utilizar agua ni detergentes para limpiar el ventilador ni las aspas. Usar un trapo seco o ligeramente húmedo para su limpieza general.

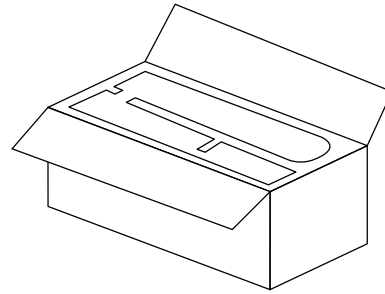
ADVERTENCIA: Para reducir el riesgo de daño corporal, usar **sólo** las piezas provistas con este ventilador. **Al usar piezas DISTINTAS a las provistas con este ventilador se invalidará la garantía.**

NOTA: No se debe concluir que las precauciones de seguridad importantes e instrucciones en este manual van a abarcar todas las condiciones y situaciones posibles que puedan ocurrir. Se debe entender que el sentido común y la precaución son factores necesarios en la instalación y la operación de este ventilador.

1. Desempaquetado del ventilador.

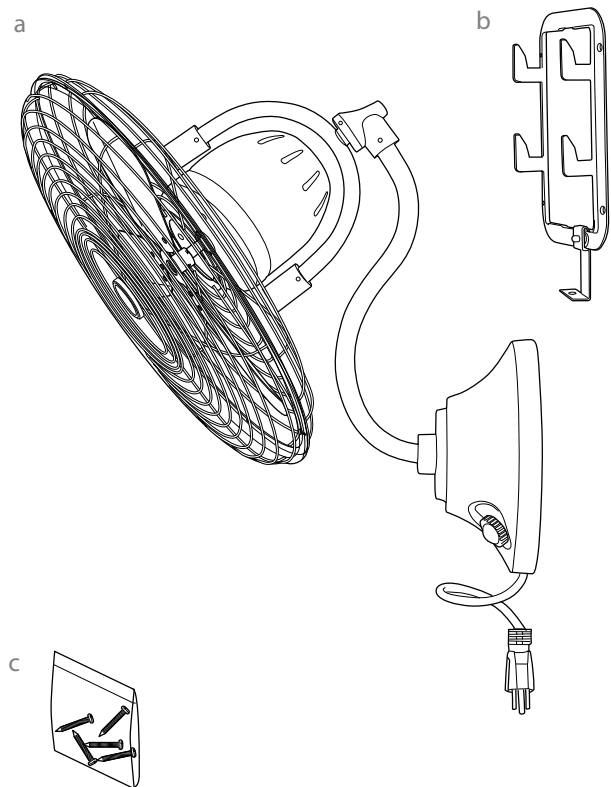
Abrir el empaque cuidadosamente. Sacar los artículos del embalaje. Sacar la unidad del ventilador y ponerlo en una alfombra o en el embalaje para evitar rayar el acabado. Guardar la caja de cartón o el empaquetamiento original en caso de que tenga que mandar el ventilador para alguna reparación.

Comprobar las piezas del ventilador con el inventario de piezas y verificar que se incluyeron todas.



2. Inventario de piezas.

- a. unidad del ventilador. 1 unidad
- b. abrazadera de pared. 1 unidad
- c. paquete de artículos de ferretería



! RECORDATORIO IMPORTANTE:
Se tienen que utilizar las piezas provistas con este ventilador para una instalación adecuada y su seguridad. **!**

3. Preparación para la instalación.

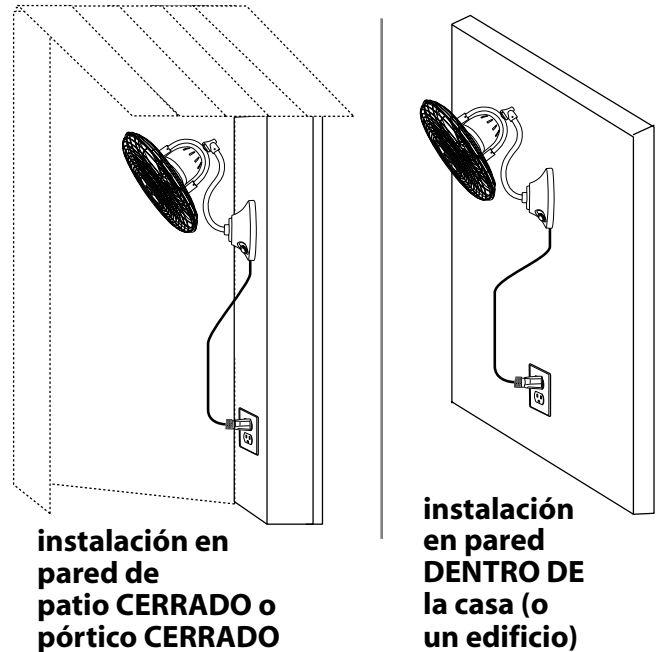
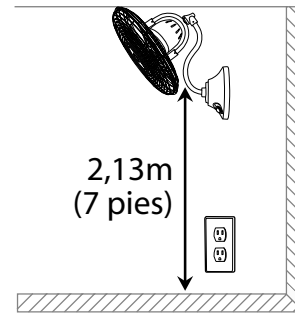
Para prevenir daño corporal y otros daños, estar seguro de que el lugar en donde va a colgar el ventilador le permite un espacio libre de 2,13m (7 pies) entre el piso para prevenir contacto accidental con las aspas.

Se puede colgar este ventilador solamente en **una pared DENTRO DE la casa (o un edificio) o en un patio CERRADO o en un pórtico CERRADO.**

PRECAUCION: Si va a sujetar el ventilador a un entramado o un poste de madera, el entramado o el poste de madera debe ser lo suficiente ancho y grueso como para sostener la abrazadera de pared y el peso del ventilador.

Se necesitan las herramientas siguientes para la instalación:

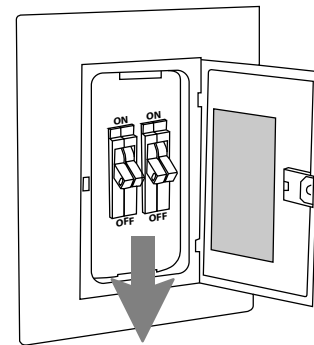
Destornillador de estrella Phillips, destornillador de paleta (plano), alicates ajustables o llave de tuercas y escalera de tijera



4. Instalación de la abrazadera de pared.

Apagar los cortacircuitos en el panel de electricidad que suplen corriente a la caja de salida y asegurarse de que el interruptor de luz esté APAGADO.

ADVERTENCIA: El no desconectar el suministro de fuerza antes de la instalación puede tener por resultado lesiones graves.



[La "Instalación de la abrazadera de pared" continúa en la página siguiente.]

4. Instalación de la abrazadera de pared. (cont.)

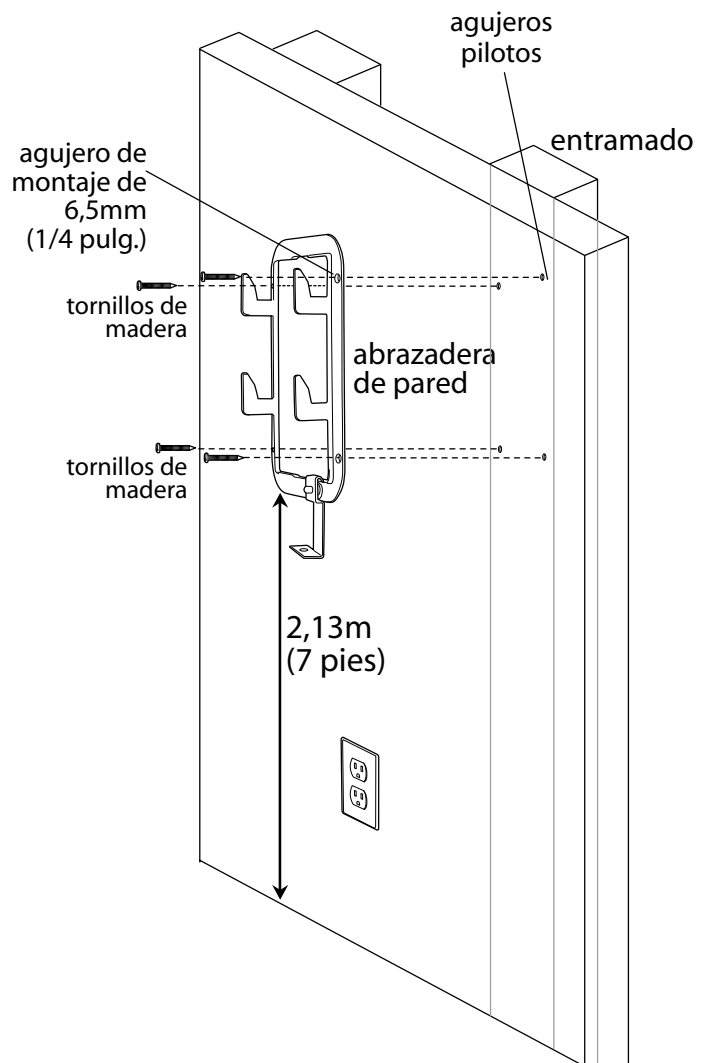
Primero determinar la posición aproximada de dónde va a querer ubicar el ventilador en la pared. [Recordar que el ventilador se debe instalar a por lo menos 2,13 m (7 pies) arriba del nivel del piso.] Luego, localizar el entramado en la pared.

HAY QUE usar **LOS CUATRO** agujeros en la abrazadera de pared al instalar la abrazadera de pared. Colocar la abrazadera de pared en el entramado o en un poste de madera y marcar las posiciones de los 4 agujeros.

Taladrar 4 **agujeros pilotos** en los agujeros que se marcaron en el entramado o en el poste de madera. Colocar la abrazadera de pared encima de los agujeros pilotos e introducir un tornillo de madera (proporcionado en uno de paquetes de artículos de ferretería) en cada agujero.

INSTALACION ALTERNATIVA EN PARED DE CONCRETO:
Usar los 4 agujeros de montaje de 6,5mm (1/4 pulg.) al instalar la abrazadera de pared en una pared de concreto. Las anclas de pared para concreto de 5mm (3/16 pulg.) que se necesitan para este tipo de instalación NO vienen incluidas y se deben comprar por separado. **Asegurarse de que las anclas de pared para concreto puedan soportar un total de 36,29 kg (80 lb).**

ADVERTENCIA: Es muy importante usar los artículos de ferretería correctos al instalar la abrazadera de pared como esto servirá para apoyar el ventilador.



5. Instalación del ventilador.

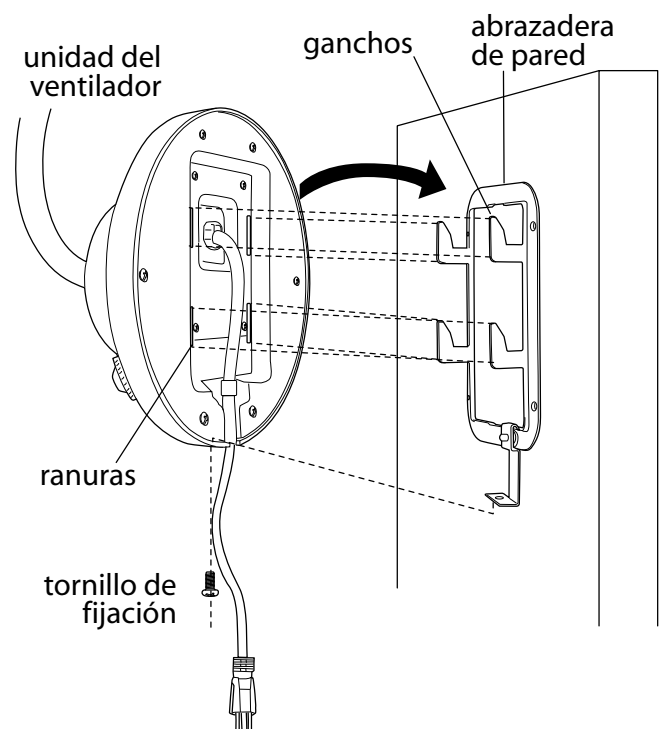
Sugerencia: Solicitar ayuda de otra persona para sujetar la escalera y para subirle el ventilador una vez que esté preparado en la escalera para colgarlo.

Quitar el tornillo de fijación de la parte inferior de la unidad del ventilador. Ya que esté sujeta a la pared y capaz de apoyar el ventilador, Ud. está listo para colgar el ventilador.

Agarrar la unidad del ventilador firmemente con las dos manos. Alinear las 4 ranuras de en medio de la parte trasera de la unidad del ventilador con los 4 ganchos en la abrazadera de pared y jalar firmemente hacia abajo en la unidad del ventilador.

ADVERTENCIA: Asegurarse de que los 4 ganchos en la abrazadera de pared se metan completamente en las 4 ranuras de la unidad del ventilador y que la unidad del ventilador esté estable.

Volver a introducir el tornillo de fijación en la parte inferior de la abrazadera de pared--asegurarse de apretar bien el tornillo de fijación.



6. Instalación eléctrica.

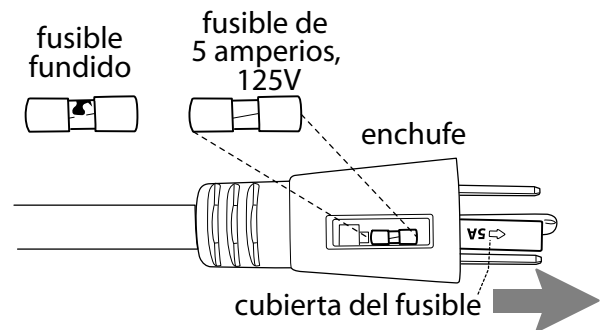
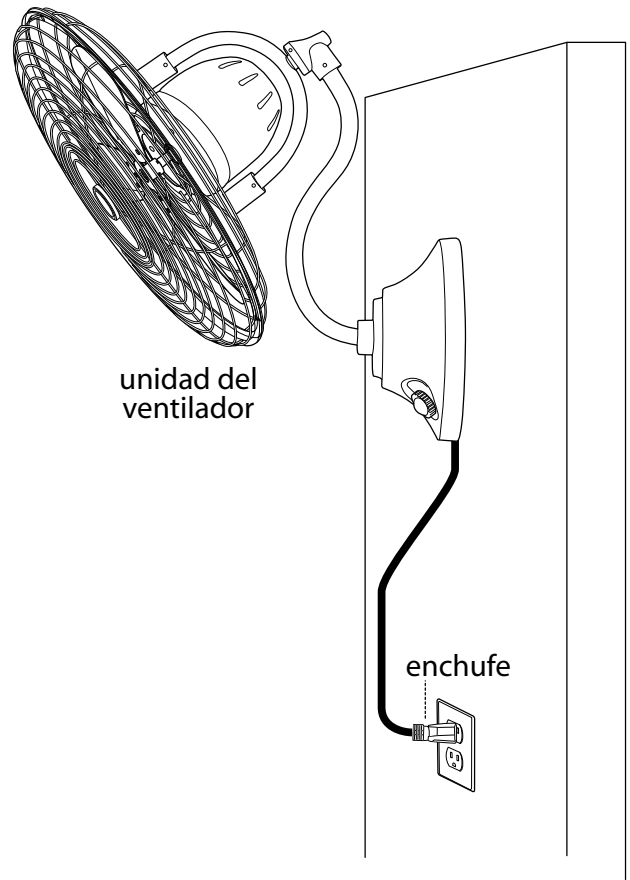
Asegurarse de que todas las conexiones eléctricas cumplan con los Códigos o las Ordenanzas Locales y el Código Nacional Eléctrico (o el Código eléctrico del Canadá). Si usted no está familiarizado con el alambrado eléctrico favor de buscar un electricista calificado.

Enchufar el cable eléctrico fijamente en una tomacorriente de pared apropiada.

ADVERTENCIA: El cable eléctrico tiene un enchufe de tres clavijas que se debe introducir en un tomacorriente con el cual coincida. No se debe cortar la clavija de puesta a tierra del enchufe bajo ninguna circunstancia. Donde se encuentre un tomacorriente de dos clavijas en la pared, hay que sustituirlo por un tomacorriente de **tres clavijas** puesto a tierra correctamente e instalado conforme al Código Nacional Eléctrico (o el Código eléctrico del Canadá) y todos los códigos y ordenanzas locales aplicables. Este trabajo se debe realizar sólo un electricista calificado, usando solamente alambre de cobre.

El enchufe de tres clavijas viene instalado con un fusible que es un dispositivo de seguridad vital. Un filamento dentro del fusible está diseñado para fundirse y cortar el circuito cuando la intensidad de la corriente se ponga demasiado alta. Esto previene daño al ventilador y a la persona que lo use e impide que el cable eléctrico se recaliente al punto de tomar fuego.

Si tiene que reemplazar el fusible, desenchufar el ventilador. Localizar la cubierta del fusible en el extremo del enchufe del cable eléctrico. Deslizar la cubierta del fusible para revelar el fusible. Usando alicates con punta fina, sacar el fusible. Inspeccionar el fusible--el tubo pequeño, de cristal con metal en cada extremo--para determinar si se tendrá que cambiar. [Si se ha fundido el fusible tendrá aspecto oscuro y mancha borrosa o el filamento visible por dentro estará roto.] Cambiar el fusible fundido únicamente por un fusible de clasificación de 5 amperios, 125 voltios, metiéndolo entre las partes de metal dentro de la caja del fusible. Volver a cerrar la cubierta del fusible completamente.



7. Verificación del funcionamiento del ventilador.

Se recomienda poner el ventilador a prueba antes de terminar la instalación. Regresar la corriente de electricidad en el cortacircuitos y el interruptor de la luz en la pared (si aplica). Verificar las velocidades del ventilador con el control de pared en el lado **izquierdo**. Empezar en estado de apagado, "**Off**," (sin movimiento de las aspas). El hacer girar el dial del ventilador una vez pondrá el ventilador en marcha ALTA (**H**). El hacer girar el dial dos veces pondrá el ventilador en marcha MEDIA (**M**). El hacer girar el dial tres veces pondrá el ventilador en marcha BAJA (**L**). Poner a prueba la función de oscilación con el control de pared en el lado **derecho**. Empezar en estado de apagado, "**Off**," y girar el dial para ponerlo en posición de ENCENDIDO. Si el ventilador no funciona bien, favor de referirse a la sección "Localización de fallas" para resolver cualquier asunto antes de comunicarse con el Servicio al Cliente.

Localización de fallas.

ADVERTENCIA: *El no desconectar el suministro de fuerza eléctrica antes de hacer localización de fallas para cualquier problema de instalación eléctrica puede causar lesiones graves.*

Problema: El ventilador no funciona.

Soluciones:

1. Inspeccionar el interruptor de pared del ventilador.
2. Verificar que el dial en el lado *izquierdo* del ventilador está puesto en velocidad Alta (H), Media (M), o Baja (L).
3. Asegurarse de que el enchufe de 3 clavijas está bien enchufado en un tomacorriente adecuado.
4. Asegurarse de que el fusible localizado en el enchufe de 3 clavijas aún sirve. [**Nota:** Antes de reemplazar el fusible, verificar cuál aparato provocó que saltara].

Problema: El ventilador no oscila.

Soluciones:

1. Inspeccionar el interruptor de pared del ventilador.
2. Verificar que el dial en el lado *derecho* del ventilador esté en posición de ENCENDIDO.

Problema: El ventilador se tambalea.

Soluciones:

1. Verificar que la abrazadera de pared está sujeta bien.
2. Verificar que el ventilador está sujeta bien en la barra de la abrazadera del ventilador.
3. Verificar que los tornillos Allen están sujeta bien.

Garantía.

GARANTIA LIMITADA DE POR VIDA DE CRAFTMADE/ELLINGTON: CRAFTMADE/ELLINGTON garantiza este ventilador al comprador original de grupo familiar para uso en lugares húmedos (lo cual se define como dentro de la casa o un edificio, en un porche cerrado o un pórtico cerrado) con las siguientes condiciones:

GARANTIA DE 1 AÑO: CRAFTMADE/ELLINGTON reemplazará o reparará cualquier ventilador que tenga funcionamiento deficiente debido a defectos en los materiales o trabajo manual. Comunicarse con el Servicio al Cliente de CRAFTMADE/ELLINGTON al **1-800-486-4892** para acordar el reenvío del ventilador. Devolver el ventilador, con los gastos de envío propagados, a Craftmade/Ellington. Nosotros repararemos o reemplazaremos el ventilador y pagaremos los gastos de envío de regreso.

GARANTIA DE 5 AÑOS: CRAFTMADE/ELLINGTON reemplazará o reparará sin costo al comprador original, cualquier motor de ventilador que no funcione de manera satisfactoria a causa de uso normal.

DEVOLVER EL MOTOR SOLAMENTE, los gastos de envío propagados, a Craftmade/Ellington. Nosotros repararemos el motor al comprador o le enviaremos uno de reemplazo y Craftmade/Ellington pagará los gastos de envío de regreso. **GARANTIA LIMITADA DE 6 AÑOS hasta DE POR VIDA:** CRAFTMADE/ELLINGTON reparará el ventilador, sin costo al comprador original por el coste laboral, si el motor del ventilador no funciona satisfactoriamente a causa del uso normal. Las piezas que se utilizan en hacer la reparación serán facturadas al comprador a los precios prevalecientes en el momento de la reparación.

El comprador original será responsable de todos los gastos incurridos en sacar, reinstalar y enviar el producto para reparación.

Esta garantía no se aplica cuando el ventilador tenga daños por uso al aire libre y/o por abuso mecánico, físico, eléctrico o por agua resultando en su mal funcionamiento. Se exenta específicamente el deterioro en el acabado u otras partes debido al tiempo o exposición al aire marino bajo esta garantía.

Ni Craftmade/Ellington ni el fabricante se harán responsables por lo que pasa por una instalación inadecuada o el uso impropio de este producto. La compañía no se hará responsable en ningún caso de ningún daño emergente por incumplimiento de esta o cualquier otra garantía expresada o implicada en absoluto. Esta limitación de daños emergentes no se aplicará en estados donde es prohibido.

Piezas de repuesto.

Para piezas o información, referirse al "Inventario de piezas" en la página 2. Servicio al Cliente de Craftmade/Ellington: **1-800-486-4892**
www.craftmadebrands.com

Craftmade

CEILING FANS

Est. 1985