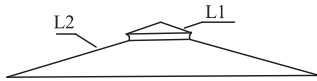


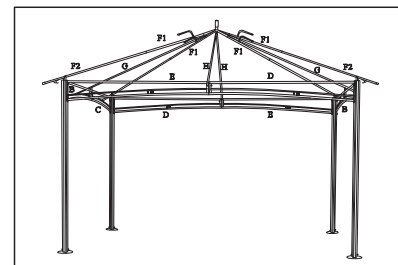
ASSEMBLY INSTRUCTIONS

Replacement Canopy for the Roof Style Gazebo 184DGZ1-PU-25 Canopy Model # 184DGZ1-PU-25-CPY

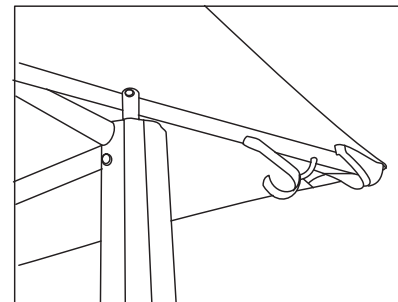


Part	Description	Quantity
L1	Vent Cover	1
L2	Main Canopy	1

1. With a free-standing ladder, remove the original vent cover and main canopy from the frame.

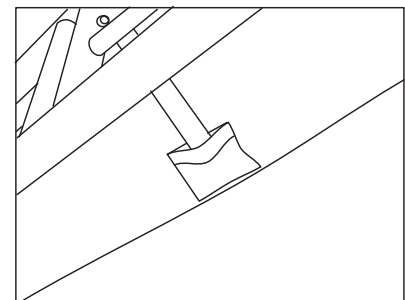


2. Put the ladder at the center of the frame. Gently place the main canopy L2 over the roof frame. Pull the canopy down to each corner until all corner roof tubes fit well into corner pockets on the canopy.



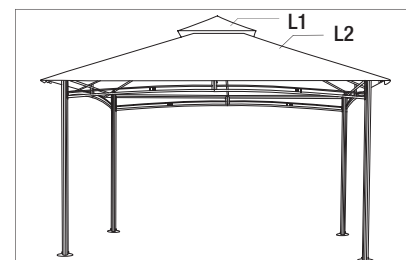
IMPORTANT:

The corner roof tubes should be placed into the corner pockets prior to placing the middle roof tubes into the middle pockets. This will help to place the canopy onto the roof with ease.



3. Use the pockets in the middle of each side to cover each middle roof tube.

4. From under the main canopy gently put the vent cover over corner roof tubes. Attach the nettings of the vent cover L1 to the main canopy L2 with the hook and loop straps on them.



Please contact our customer service department if you have any questions.

Customer Service:

Call between 8:30am to 4:30pm C.S.T.
(Monday to Friday)
Linya Outdoor Living, LLC
P.O. Box 423
Ripon WI 54971
TEL: (833) 807-3550
Customer-Service@Linyaoutdoor.com