



NAMUNAS

V1.1



NAMUNAS User Manual

www.shopnamunas.com

The information in this manual is subject to change without notice.

Language

English.....	1
--------------	---

Content

Safety Warnings.....	2
Product Specifications.....	3
What's in the Box?.....	4
Appearance.....	5
Buttons and Functions.....	6
User Interface Overview.....	8
Function Overview.....	11
Installation.....	15
FAQs.....	18
Customer Service Center.....	20

Safety Warning:

- Before using the camera for the first time, please read the product manual carefully to ensure correct operation.
- The dash cam needs to be connected to the power supply to work properly.
- To ensure driving safety, please do not operate the device or watch the driving video via cell phone during driving.
- This product needs to be inserted into the Micro SD card. Please make sure the Micro SD card is functioning properly and is compatible with the device.
- Please do not disassemble or repair the dash cam without authorization. If the camera malfunctions, please contact NAMUNAS official customer service.
- Please avoid installing the dash cam in a position that will block the driver's view.
- Please keep away from high temperature and humid environment to ensure the normal operation of the device.
- In order to improve the product experience, the product firmware will be updated from time to time, you can download the latest version to enjoy the latest features as needed.
- Please do not install the dash cam in front of the passenger to avoid safety hazards caused by the device falling off.
- Please use this product reasonably in compliance with relevant laws and regulations.
- The product power supply mode: powered by ACC wire + cigarette lighter adapter.
- For DFS frequency bands, 5260-5320MHz and 5500-5700MHz are prohibited and not allowed for use.

Product Specifications

Item Name	NAMUNAS N5 Dash Cam	Video Format	MP4/TS/MOV
Screen Size	3.99" IPS Screen	Photo Format	JPG
Recording Resolution	Front 2K@30fps / Front 1296P@30fps /Front 1080P@30fps Rear 1080P@30fps, Cabin 1080P@30fps, Left & Right 1080P@30fps		
Input	DC 5V-2.5A	Lens	Front cam F1.8
Operating Temperature	-4° F-149° F		
Memory Card	Supports Upto 512GB	Warranty Period	12 Months

Note:

If you experience any issues during use or receive a defective product, we've got you covered with a 12-month warranty. Simply reach out to our support team, and we'll guide you step-by-step through the replacement process, including how to return your unit for a new one. The warranty period may vary depending on local laws.*

Support

If you have any questions about the product, please feel free to contact us at support@shopnamunas.com*

Your opinion matters

NAMUNAS is firmly committed to always improving our products, services, and user experience. If you have any thoughts on how we can do even better, we welcome your constructive feedback and suggestions. Connect with us today at support@shopnamunas.com*

What's in the Box?



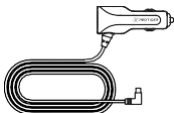
NAMUNAS Main
Dash Cam Unit



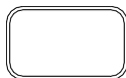
1080P Rear Camera



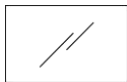
Adhesive Slider



Power Supply Cable
with Car Charger



Extra Adhesive



Electrostatic Sticker



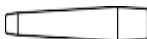
Cable Clips



Left & Right Cameras

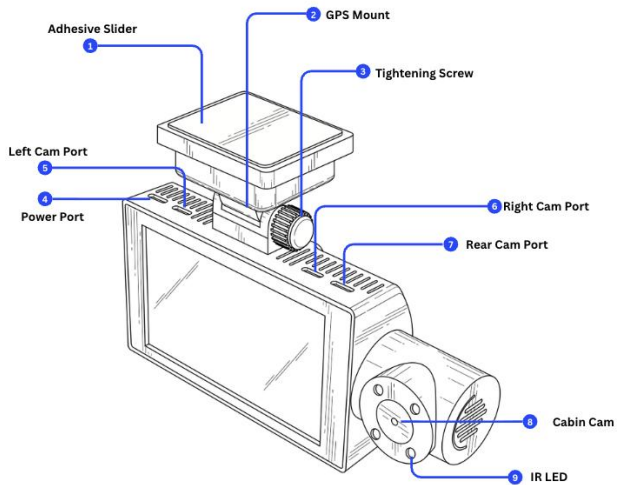


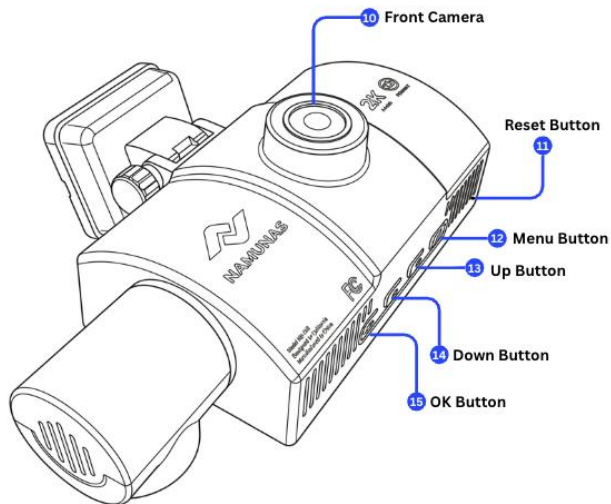
User Manual

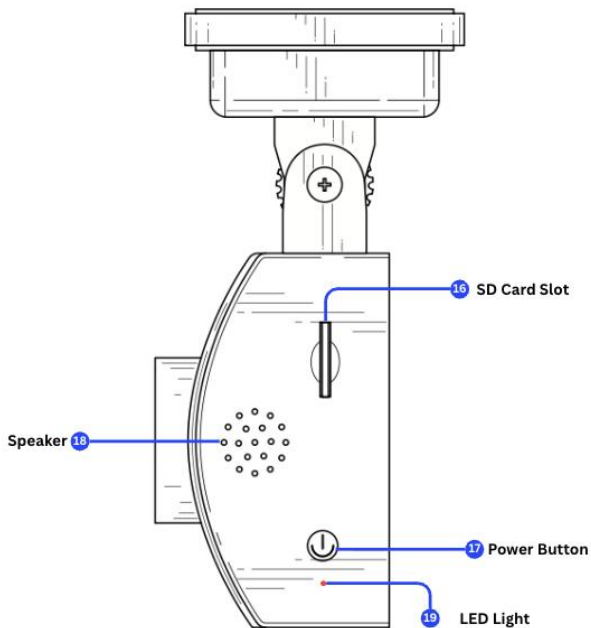


Wire Tool

Appearance







Buttons and Functions



Power Button

- Short press to Turn On/Turn Off the Display
- Long press to Turn On/Turn off the Camera



Menu Button

Recording Mode:

- Short press to Enter main menu

Setup Mode:

- Short press to Return to the specific settings

Playback Mode:

- Long press on Home screen to Enter into the Playback Menu
- Short press to Return to the specific folder



Up Button

Main 5-Channel Display Mode:

- Short press to switch to the next camera feed
- Long press to Enable or Disable the Mic

Setup Mode:

- Short press to Select the previous function

Playback Mode:

- Short press to Select the previous file
- Short press to switch to the next video from the selected Playback menu folder



Down Button

Main 5-Channel Display Mode:

- Short press to Take a snapshot
- Long press to Turn On/Off Privacy Mode

Setup Mode:

- Short press-to Select the next function

Playback Mode:

- Short press to Select the next file
- Short press to switch to the next video from the s Playback menu folder



OK Button

Main 5-Channel Display Mode:

- Short press to Take a snapshot
- Long press to Start/Stop recording

Setup Mode:

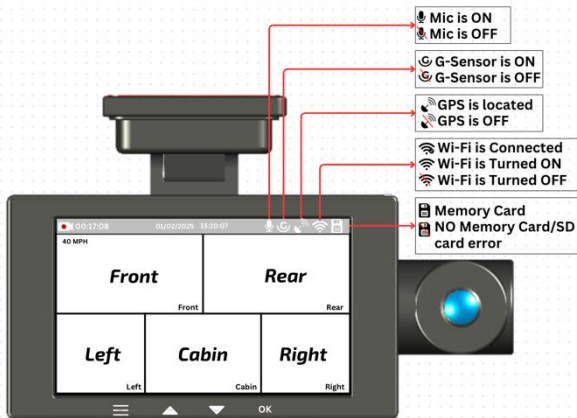
- Short press to Enter/Confirm the selected function or option

Playback Mode:

- Short press to Select

User Interface Overview

Recording Mode



Menu Introduction

- **Loop Recording:** Default setting is 1 min. You can choose the options among 1/2/3 min.
- **IR LEDs:** The default setting is Auto. You can set it to auto/always off/always on.
- **G-Sensor:** Select the level of G-sensor sensitivity you need (low, medium, high)
- **Privacy Mode:** The default setting is off. With it turned on, the video is recorded with disabled microphone and cabin camera.
- **Audio Recording:** The default setting is on. Set recording to on or off.
- **Mirror:** Default setting is Off. When it is on, the screen of the selected camera is displayed in mirror mode.
- **Watermark Time:** Enable or disable the watermark stamp on video and photos. The watermark stamp includes time and date label, NAMUNAS label, GPS location information, and speed label. All enabled by default.
- **Time Lapse:** The default value is disabled. You can choose to enable the time lapse recording for 1hr/6hr, 24hr, 48hr.
- **Parking Mode:** You can choose the parking mode you need (On/Off). Default setting is Off.
*You need an **ACC hardware kit** to use this function.
- **GPS Settings:** GPS is enabled by default. The speed unit settings (KM/MPH), time synchronization (Timezone), GPS information (Signal Strength) are all set here.

• Playback Mode

- 1 Access the Playback Folder from the Main Menu.
- 2 Press the Up or Down button to select the folder you want to play.
- 3 Press the OK button to watch the recorded video.
- 4 Press the Down button to play the next video.

Function Overview

Short press the **MENU** button to enter settings menu, where you can adjust various functions and parameters of the entire machine.

System Settings

Function	Option/Description
Volume Level	0/1/2/3/4
Screen Sleep	Off/10s/30s/60s, Screen goes off after the set time
IR LED	Auto, Always On, Always Off
Language Settings	Choose Your Preferred Language

Date and Time	You can set manually Or use Timezone feature
Key Sound	On/Off
SD Card Format	Format SD card. All data will be deleted
Restore Factory Setting	Reset All Settings
Disk Repairing	On/Off
Dashcam Wi-Fi Hotspot	On/Off
Network Information	Wi-Fi SSID
SD Card Storage Information	Shows the SD card capacity
About	Firmware Information

Driver Settings

Function	Option/Description
Loop Record	1/2/3mins
Front Camera Resolution	Front 2K@30fps Front 1296P@30fps Front 1080P@30fps
Interval Record	On/Off
Microphone Enabled	On/Off
Watermark Time	On/Off
Parking Monitor	On/Off *Please connect the ACC hardwire kit
G-sensor Sensitivity	Off/Low/Medium/High
Encoding Mode	H264/H265
Recording Format	TS/MOV/MP4
Parking Monitor Recording Duration	15s/30s/60s/120s

TimeLapse Recording Duration	1hr/6hr/24hr/48hr
Rear Camera Mirror	On/Off
Left Camera Mirror	On/Off
Right Camera Mirror	On/Off
Cabin Camera	On/Off
GPS Menu	Time Synchronization GPS Signal Strength Speed Unit

Note:

- In order to a Clean, Smooth, Comfortable using experience, we suggest you format your Memory Card once a month.

Installation

WARNING

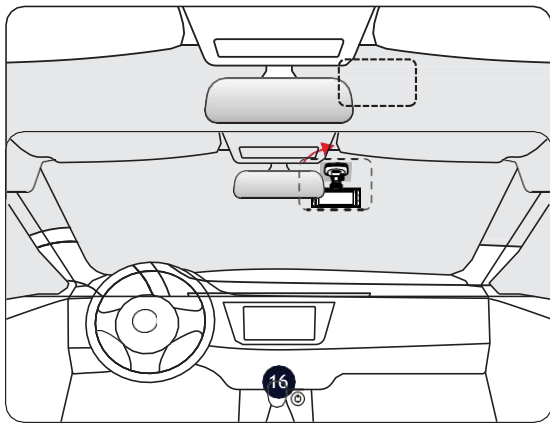
Please make sure to connect all cameras and wires before power on the cam screen, otherwise, the camera cannot work properly. Please follow the instructions below for the first-time installation of the NAMUNAS N5 dash cam.

• Insert Memory Card

Insert the Memory Card into the dash cam, taking care that the gold contacts are facing towards the screen of the dash cam. Push the memory card until it clicks into the slot.

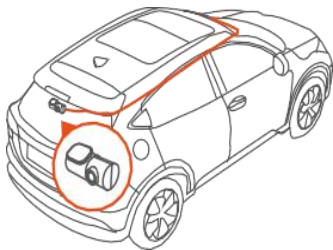
• Main Camera Installation

Peel off the electrostatic sticker on the cellophane and transfer it to where you want to stick it. Attach the front camera to the electrostatic sticker and firmly press to secure it.

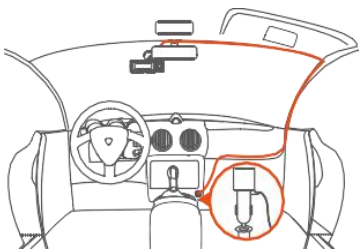


• Mount The Rear Camera

- 1 Clean the rear windshield area where you want to attach the rear camera.
- 2 Peel off the sticker from the rear camera and mount it to the desired location (see image below for reference)

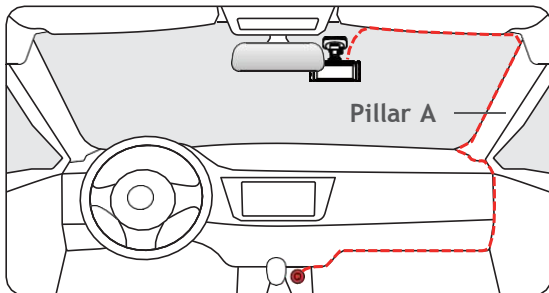


• Wire Layout In The Vehicle

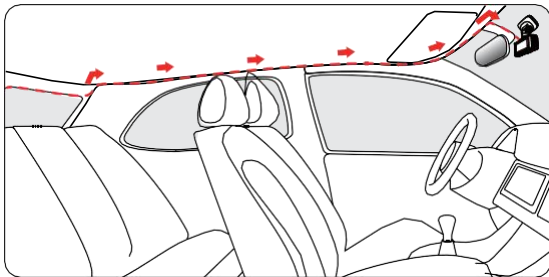


- 1 The car charger is connected to the cigar socket.
- 2 Connect the other end of the car charger to the dash cam.

- 3 Use the crowbar to run the power cable along the front windshield and the roof, and hide the cable down the A-pillar, so as not to block the driver's sight and cause danger.



- 4 Connect the rear camera cable to the port on the dash cam.
- 5 Hide the rear camera cable along the gaps between the front windshield and the ceiling, between the car body and the ceiling on the side of the passenger seat, and between the rear seats and the ceiling.



FAQs

- Why is there no GPS signal?

1. Clean and reconnect the probe on the main unit and bracket. Check for any interference in your car, like metal film on the windshield, radio antenna, or radar detector.
2. Move your car to an open area. Observe if the GPS icon on the screen turns green and displays GPS info.
3. Once GPS locks onto a signal, a satellite icon will appear at the bottom left of the screen. Green indicates positioning, while white indicates no positioning.

- Why does my dash cam prompt “card error” or “please format Memory Card” every once in a while?

Please follow the steps below to check:

1. Please go to Settings > Format Reminder to check whether the regular format reminder is enabled.
2. Format the Memory Card.
3. Restore factory settings and restart the dash cam.

- Dash cam repeated restart/no boot?

1. Make sure you are using the original car charger.
2. Unplug the Memory Card, all external camera cables, and car charger in turn, and reinstall them. Check whether the short circuit is caused by accessories.
3. Reset the machine through the small hole at the bottom of the driving recorder.
4. If none of the above can solve the problem, please try to power on the USB cable to confirm whether the host can be used normally.
5. If it is not resolved, please contact your dedicated customer service for a replacement.

- Why can't I connect to Wi-Fi?

1. Check the working distance of Wi-Fi.
2. Check the SSID and password of the Wi-Fi, or whether there are other devices connected to the Wi-Fi.
3. Turn off mobile data, security software, and VPN on your phone.
4. If the issue persists, please contact customer support for assistance.

- Why is the time setting incorrect?

The dash cam features built-in GPS. It automatically adjusts time based on your location and time zone, eliminating the need for manual time changes. And you can adjust the time through Settings > Time Zone.

Customer Service Center

If you have any problems with the function or installation, please feel free to reach us.

[Help Center](#)

[WhatsApp](#)

For more information:

After sales:

Business Cooperation:

Customer Phone Service:



NAMUNAS

Check us out here.
Product and service are the foundation of NAMUNAS.



Federal Communications Commission (FCC) Statement

This device complies with part 15 of the FCC Rules. Operation is subject to the following two conditions: (1) This device may not cause harmful interference, and (2) this device must accept any interference received, including interference that may cause undesired operation.

Note: This equipment has been tested and found to comply with the limits for a Class B digital device, pursuant to part 15 of the FCC Rules. These limits are designed to provide reasonable protection against harmful interference in a residential installation. This equipment generates, uses and can radiate radio frequency energy and, if not installed and used in accordance with the instructions, may cause harmful interference to radio communications. However, there is no guarantee that interference will not occur in a particular installation. If this equipment does cause harmful interference to radio or television reception, which can be determined by turning the equipment off and on, the user is encouraged to try to correct the interference by one or more of the following measures:

- Reorient or relocate the receiving antenna.
- Increase the separation between the equipment and receiver.
- Connect the equipment into an outlet on a circuit different from that to which the receiver is connected.
- Consult the dealer or an experienced radio/TV technician for help.

Warning: Changes or modifications not expressly approved by the party responsible for compliance could void the user's authority to operate the equipment.

Note: The manufacturer is not responsible for any radio or TV interference caused by unauthorized modifications to this equipment. Such modifications could void the user's authority to operate the equipment.

RF exposure statement:

The transmitter must not be colocated or operated in conjunction with any other antenna or transmitter. This equipment complies with the FCC RF radiation exposure limits set forth for an uncontrolled environment. This equipment should be installed and operated with a Minimum distance of 20cm between the radiator and any part of your body.