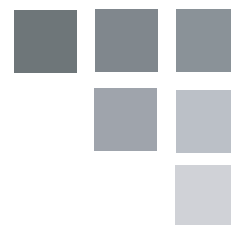




OWNER'S USE AND CARE GUIDE
GUIDE D'UTILISATION ET D'ENTRETIEN
GUÍA DE UTILIZACIÓN Y CUIDADO PARA EL PROPIETARIO

AIR CONDITONER
CLIMATISEUR
AIRE ACONDICIONADO

MODEL • MODÈLE • MODELO
DAC080BAUWDB





TO OBTAIN WARRANTY SERVICE YOU MUST PROVIDE A VALID PROOF OF PURCHASE. PLEASE STAPLE YOUR RECEIPT TO THIS PAGE FOR FUTURE REFERENCE.

POUR OBTENIR LE SERVICE SUR GARANTIE VOUS DEVEZ FOURNIR UNE PREUVE D'ACHAT VALIDE. VEUILLEZ AGRAFER VOTRE REÇU À CETTE PAGE POUR RÉFÉRENCE FUTURE.

PARA OBTENER SERVICIO DE GARANTÍA, DEBE PROVEER UN RECIBO ORIGINAL. POR FAVOR ENGRAPE SU RECIBO A ÉSTA PÁGINA EN CASO QUE NECESITE HACER UN RECLAMO.

IMPORTANT - GROUNDING METHOD

This product is factory equipped with a power supply cord that has a three-pronged grounded plug. It must be plugged into a mating grounding type receptacle in accordance with the National Electrical Code and applicable local codes and ordinances. If the circuit does not have a grounding type receptacle, it is the responsibility and obligation of the customer to exchange the existing receptacle in accordance with the National Electrical Code and applicable local codes and ordinances. The third ground prong should not, under any circumstances, be cut or removed. Never use the cord, the plug or the appliance when they show any sign of damage. Do not use your appliance with an extension cord unless it has been checked and tested by a qualified electrician or electrical supplier.

IMPORTANT - MÉTHODE POUR LA MISE À LA TERRE

Ce produit arrive d'origine avec un cordon d'alimentation équipé d'une prise à trois fiches. Il doit être branché dans une prise avec une fiche de mise à la terre en conformité avec le Code national de l'électricité et les codes et règles locaux applicables. Si la prise murale n'a pas de mise à la terre, il est de la responsabilité et l'obligation du client de changer la prise existante pour la rendre conforme au Code national de l'électricité et aux codes et règles locaux applicables. La fiche de mise à la terre ne doit pas, en aucune circonstance, être coupée ou retirée. Si vous apercevez des signes de dommage, n'utilisez jamais le cordon d'alimentation, la prise ou l'appareil. N'utilisez jamais l'appareil avec une rallonge sauf si elle a été vérifiée et testée par un électricien qualifié ou un fournisseur de matériel électrique.

IMPORTANTE - MÉTODO DE CONEXIÓN A TIERRA

Este producto viene equipado con un cable eléctrico que tiene un enchufe de tres patas conexión a tierra. Este debe colocarse en una toma de corriente con conexión a tierra de acuerdo con el Código nacional de electricidad y códigos y ordenanzas locales correspondientes. Si el circuito no cuenta con una toma de corriente con conexión a tierra, es responsabilidad y obligación del cliente sustituir la toma de corriente actual de acuerdo con el Código nacional de electricidad u códigos u ordenanzas locales correspondientes. Bajo ninguna circunstancia se debe cortar o eliminar la tercera pata de conexión a tierra. Nunca utilice el cable, el enchufe o el artefacto cuando muestre un signo de daño visible. No utilice el artefacto con una extensión salvo que un proveedor eléctrico o electricista calificado la inspeccione y la pruebe.

CONTENTS

TABLE DES MATIÈRES

ÍNDICE

AIR CONDITIONER

Owner's Use and Care Guide 1-10

- Welcome
- Important Safety Information
- Features
- Installation Instructions
- Operation Instructions
- Care and Maintenance
- Troubleshooting
- Warranty

CLIMATISEUR

Guide d'utilisation et d'entretien du propriétaire.... 11-20

- Bienvenue
- Consignes de sécurité importantes
- Caractéristiques
- Consignes d'installation
- Consignes d'utilisation
- Soins et entretien
- Dépannage
- Garantie

AIRE ACONDICIONADO

Guía de utilización y cuidado para el propietario.. 21-30

- Bienvenido
- Información importante sobre seguridad
- Características
- Instrucciones de instalación
- Instrucciones de funcionamiento
- Cuidado y mantenimiento
- Solución sugerida
- Garantía



CAUTION:

Read and follow all safety rules and operating instructions before first use of this product.



PRÉCAUTION :

Veillez lire attentivement les consignes de sécurité et les instructions d'utilisation avant l'utilisation initiale de ce produit.



PRECAUCIÓN:

Lea y observe todas las reglas de seguridad y las instrucciones de operación antes de usar este producto por la primera vez.

WELCOME

Welcome to the Danby family. We are proud of our quality products, and we believe in dependable service, like you will find in this Owner's Use and Care Guide, and like you will receive from our friendly customer service department. Best of all, you will experience these values each and every time you use your Danby appliance. That is important, because your new appliance will be a part of your family for a long time.

For easy reference, we suggest you attach a copy of your sales slip/receipt to this page, along with the following information, located on the manufacturer's nameplate on the right side of the unit above the powercord.

Note the information below; you will need this information to obtain service under warranty. To receive service, you must provide the original receipt.

NOTE: THIS UNIT IS NOT DESIGNED FOR "THROUGH-THE-WALL" INSTALLATION.

Model No: _____

Serial No: _____

Date Purchased: _____

NEED HELP?

Before you call for service, here are a few things you can do to help us serve you better:

Read this Owner's Use and Care Guide:

It contains instructions to help you use and maintain your appliance properly.

If you received a damaged appliance:

Immediately contact the retailer (or builder) that sold you the appliance.

Save time and money:

Check the Troubleshooting section at the end of the guide before calling. This section helps you solve common problems that may occur.

If you do need service, you can relax, knowing help is only a phone call away.



1-800-26-**Danby**
(1-800-263-2629)



WARNING

Improper connection of the grounding plug can result in risk of fire, electric shock and/or injury to persons associated with the appliance. Check with a qualified service representative if in doubt that the appliance is properly grounded.



Important Safety Information


READ AND FOLLOW ALL SAFETY INSTRUCTIONS

FOR YOUR SAFETY: Read these instructions carefully before operating the unit.

ELECTRICAL REQUIREMENTS

1. All wiring must comply with local and national electrical codes and must be installed by a qualified electrician. If you have any questions regarding the following instructions, contact a qualified electrician.
2. Check available power supply and resolve any wiring problems BEFORE installing and operating this unit.
3. This 115V air conditioner uses 6.5 or less nameplate amps and may be used in any properly wired, general-purpose household receptacle. See **Table 1** for the specifications for the individual branch circuit.
4. For your safety and protection, this unit is grounded through the powercord plug when plugged into a matching wall outlet. If you are not sure whether your wall outlet is properly grounded, please consult a qualified electrician.
5. The wall outlet must match the 3-prong plug on the service cord supplied with the unit. DO NOT use plug adapters. See **Table 2** for receptacle and fuse information.
6. The rating plate on the unit contains electrical and other technical data. The rating plate is located on the right side of the unit, above the powercord.

TABLE 1 DAC080BAUWDB	
Suggested Individual Branch Circuit	
Nameplate Amps 6.5	*AWG Wire Size 16
AWG- American Wire Gauge *Based on copper wire at 60°C temperature rating	

TABLE 2	
Receptacle and Fuse Types	
Rated Volts	125
Amps	15
Wall Outlet	
Fuse Size	15
Time Delay Fuse (or Circuit Breaker)	Plug Type



IMPORTANT SAFETY INFORMATION

READ AND FOLLOW ALL SAFETY INSTRUCTIONS

FOR YOUR SAFETY: Read these instructions carefully before operating the unit.

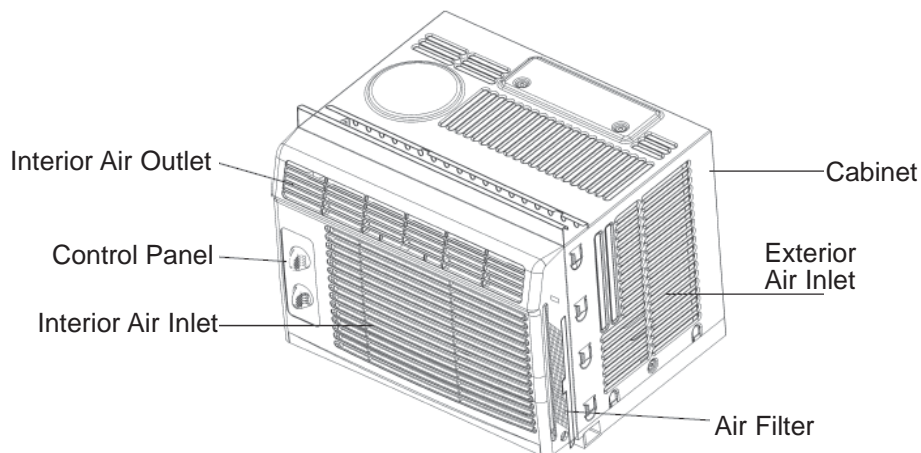
ENERGY SAVING TIPS

Your appliance is designed to be highly efficient in energy savings. Follow these recommendations for greater efficiency.

1. Select a thermostat setting that suits your comfort needs and leave at that chosen setting.
2. The air filter is very efficient in removing airborne particles. Keep the air filter clean at all times. (Usually cleaned every 2 weeks depending on indoor air quality.)
3. Use drapes, curtains or shades to keep direct sunlight from penetrating and heating the room, but do not allow drapes or curtains to obstruct the air flow around the unit.
4. Start your air conditioner before the outdoor air becomes hot, to avoid an initial period of discomfort while the unit is cooling the room.



FEATURES





INSTALLATION INSTRUCTIONS

NOTE: Your Room Air Conditioner is designed for easy installation in a single or double-hung window. This unit is NOT designed for vertical (slider type) windows and/or through-the-wall applications.



ELECTRIC SHOCK HAZARD

To avoid the possibility of personal injury, disconnect power to the unit before installing or servicing.

TOOLS NEEDED FOR INSTALLATION:

- Screwdrivers: Phillips and flat head.
- Power Drill: 1/8" (3.2mm) diameter drill bit
- Pencil
- Measuring Tape
- Scissors
- Carpenter's Level

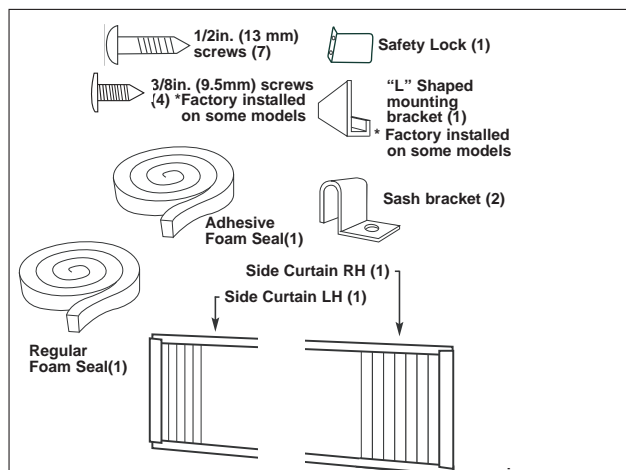
NOTE: Save the shipping carton and packing materials for future storage or transportation. From the carton, remove the plastic bag containing the installation hardware kit necessary for the installation of your air conditioner. Please check the contents of the hardware kit against the corresponding model check list, prior to installation of the unit. See **Fig. 1**.

CAUTION

Because the compressor is located on the controls side of the unit (left side), this side will be heavier and more awkward to manipulate. Inadequate support on control side of the unit can result in personal injury and damage to your unit and property. Therefore, it is recommended that you have someone assist you during the installation of this unit.

INSTALLATION HARDWARE

Fig. 1





INSTALLATION INSTRUCTIONS

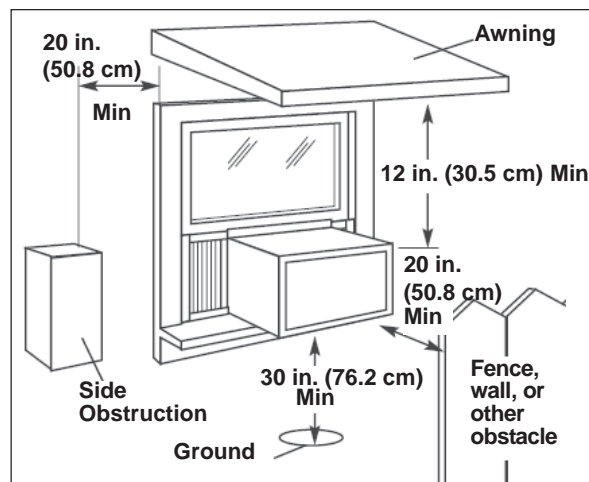
LOCATION

1. This room air conditioner is designed to fit easily into a single or double hung window. However, since window designs vary, it may be necessary to make some modifications for safe, proper installation.
2. Make sure window and frame are structurally sound and free from dry and rotted wood.
3. For maximum efficiency, install the air conditioner on a side of the house or building which favours more shade than sunlight. If the unit is in direct sunlight, it is advisable to provide an awning over the unit.
4. Provide sufficient clearance around the cabinet to allow for ample air circulation through the unit (**See Fig. 2**). The rear of the unit should be outdoors. It should not be in a garage, or inside a building. Keep unit as far away as possible from obstacles/obstructions and at least 30" above the floor or ground. Curtains and other objects within the room should be prevented from blocking the air flow.
5. Be certain that the proper electrical outlet is within reach of the installation. Use only a single outlet circuit rated at 15 amps. All wiring should be in accordance with local and national electrical codes.
6. DO NOT install unit where leakage of combustible gas is suspected. Your air conditioner may fail to operate in air containing oils (including machine oils), sulfide gas, near hot springs, etc.

NOTE: Your unit is designed to evaporate condensation under normal conditions. However, under extreme humidity conditions, excess condensation may cause basepan to overflow to the outside. The unit should be installed where condensation run-off cannot drip on pedestrians or neighbouring properties.

NOTE: It is normal for your unit to drip a small amount of water, especially on excessively humid days.

Fig. 2





INSTALLATION INSTRUCTIONS

INSTALLATION INSTRUCTIONS

1. Assembly of the upper channel to the cabinet (factory installed on some units).

- "L" Shaped Top Channel: install the "L" shaped channel to the top of the cabinet as shown in Fig. 3, using four (4) 3/8" screws.

2. Assembly of the side curtains to the cabinet.

- Extend the shutter from the shutter frame and slide it into the shutter tabs on the side channel of the air conditioner, as shown in Fig. 4.
- Slide the shutters into the top ("L" shaped) and bottom ("U" shaped) channels. The shutters are identified (on frame) as left and right.

Fig. 3

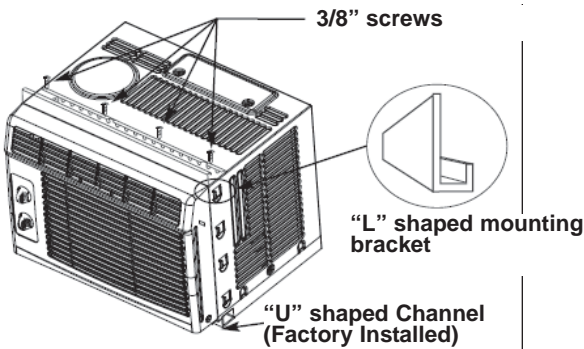
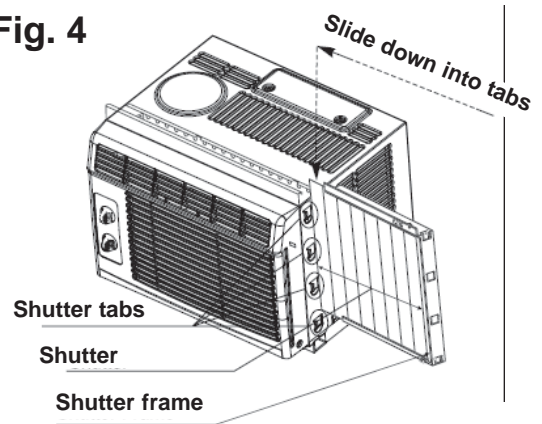


Fig. 4



3. Completing the installation.

- Carefully place the air conditioner into the window with the "L" shaped mounting bracket (on top) positioned in front of the upper window sash. The bottom of the cabinet should be positioned on the "recessed" portion of the window frame. Pull the window down until it rests just behind the front flange of the (top) "L" shaped mounting bracket (See Fig. 5).
- Expand the shutter frames (fully) on each side and secure the top of the frames to the window sash using one 1/2" screw on each side and one in the "L" shaped mounting bracket (Fig. 5).
- Secure the shutter clamp on each side of the lower part of the shutter, and secure to window sill using one 1/2" screw on each side (Fig. 5).
- Place the second foam sealing strip to fit the opening between the inside and outside windows, then attach the safety lock to the outside window frame using one 1/2" screw (See Fig. 6).

PLEASE NOTE: Window applications come in a variety of different styles. Therefore, it may be necessary to modify your particular installation.

Fig. 5

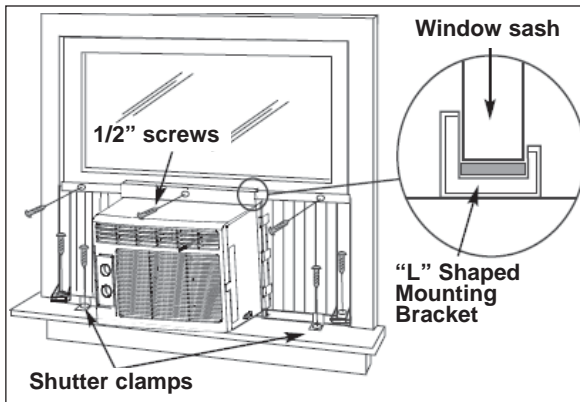
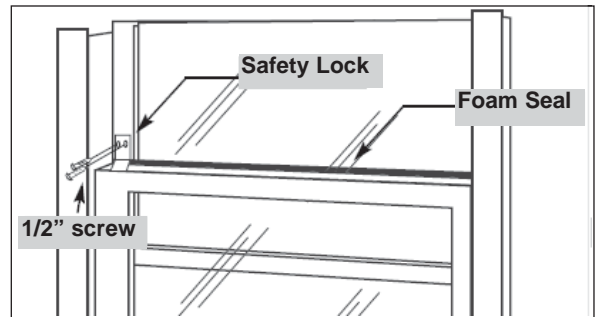


Fig. 6





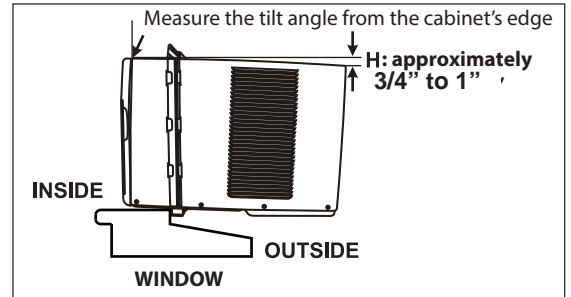
OPERATING INSTRUCTIONS

ASSEMBLY AND INSTALLATION

Check that the air conditioner is tilted downwards to the outside, about 3° to 4°, as shown in **Fig. 7**. After proper installation, condensed water should not drain from the overflow drain hole during normal use. If you notice water leaking out, check the angle of tilt, and make any necessary adjustments. However, on a very humid day, water leakage can occur – this is normal.




Measure the tilt angle from the cabinet's edge. The distance H should be approximately 3/4" to 1".

Fig. 7



CONTROLS

FAN SPEEDS:

- **LOW FAN**  will circulate air at minimum speed without cooling.
- **MED FAN**  will circulate air at a medium speed without cooling.
- **HIGH FAN**  will circulate air at maximum speed without cooling.

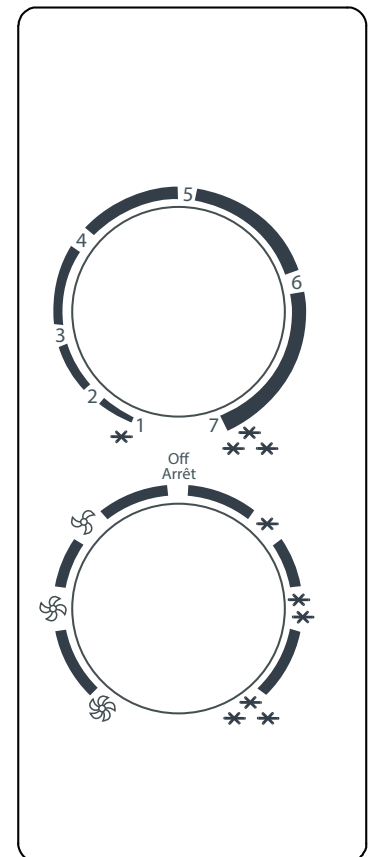
SELECTOR SWITCH: The selector switch controls cooling mode. Simply rotate the SELECTOR knob to one of the two settings described below.


COOLING MODES:

- **LOW COOL** * provides cooling with minimum air circulation. Recommended for night-time use.
- **MED COOL** ** provides cooling with medium air circulation.
- **HIGH COOL** *** provides cooling with maximum air circulation. Recommended for quick cooling or for extremely hot days. Once room is cooled, reduce setting to **LOW COOL**.
- **OFF** shuts the unit down completely.

NOTE: Always allow 3 minutes before switching from one mode to another.

THERMOSTAT: The thermostat automatically controls the (compressor) cooling cycle and maintains the selected room temperature. To set the thermostat, rotate the thermostat knob to the desired cooling setting (1 warmest - 7 coldest).



 **IMPORTANT**

Turn the selector switch slowly, allowing the unit to adjust. When using THERMOSTAT, be sure to allow three minutes before changing the temperature. Adjusting too quickly may cause compressor to overload.

 **IMPORTANT**

Control panel may not be exactly as shown. Panel can vary depending on model purchased.





CARE AND MAINTENANCE



NOTE: In order to avoid electric shock, please turn off the A/C and unplug the plug before maintenance or repair.

CLEANING

When cleaning the air conditioner be sure to turn the **SELECTOR** knob to the “**OFF**” position and **disconnect the power cord from the electrical outlet.**

1. **DO NOT** use gasoline, benzene, thinner, or any other chemicals to clean this unit, as these substances may cause damage to the finish and deformation of plastic parts.
2. Never attempt to clean the unit by pouring water directly over any of the surface areas, as this will cause deterioration of electrical components and wiring insulation.

AIR FILTER

If the air filter becomes clogged with dust, air flow is obstructed and reduces efficiency. The air filter should be cleaned every 2 weeks.

AIR FILTER REMOVAL:

The air filter is located behind the air intake front grill. To remove the air filter, grasp the filter handle on the front of the grill and slide it out to the right.

To reinstall the air filter, reverse the above procedures. The air filter must be vacuumed or washed by hand in warm water. Dry thoroughly before re-installing.

CLEANING AIR FILTER:

1. Use a vacuum cleaner with soft brush attachment.
2. Wash the filter in lukewarm water below 40°C (104°F). To get best results, wash with soapy water or a neutral cleaning agent.
3. Rinse the filter with clean water and dry thoroughly before re-installing.



IMPORTANT

DO NOT forget to install the air filter. If the air conditioner is left to operate without the air filter, dust is not removed from the room air and may result in machine failure. When the air inlet grill and cabinet are dirty, wipe with lukewarm water (below 40°C / 104°F). Use of a mild detergent is recommended.

END OF SEASON CARE

1. Turn off power and remove plug from wall socket.
2. Clean filter.
3. Store (covered) air conditioner in a dry location.



CAUTION

When installing and/or removing the air conditioner from the window, ensure that caution is taken to prevent it from falling backward. It is recommended that installation or removal of the air conditioner is done with assistance, to prevent injury to persons or damage to the unit or property.

DISPOSAL

Check for local regulatory compliance regarding the approved and safe disposal of this appliance.



TROUBLESHOOTING

Occasionally, a minor problem may arise, and a service call may not be necessary- use this troubleshooting guide for a possible solution. If the unit continues to operate improperly, call an authorized service depot or **Danby's Toll Free Number** for assistance.

Tel: 1-800-26-**Danby**® (1-800-263-2629)

PROBLEM	POSSIBLE CAUSE	SOLUTION
Air conditioner will not operate	<ul style="list-style-type: none"> No power to the unit 	<ul style="list-style-type: none"> Check connection of power cord to power source. Check fuse or circuit breaker. Set SELECTOR SWITCH to position other than "OFF". The power cord "RESET" button must always be pushed in (engaged) for correct operation.
Inefficient or no cooling	<ul style="list-style-type: none"> Dirty air filter Unit size inappropriate for application Blocked air flow Power interruption, settings changed too quickly, or compressor overload tripped 	<ul style="list-style-type: none"> Clean/replace air filter Check with dealer to determine proper unit capacity for application Remove obstruction from grill or outdoor louvres Turn the unit off and wait 5 minutes before attempting to restart
Noisy unit	<ul style="list-style-type: none"> Loose parts Inadequate support 	<ul style="list-style-type: none"> Tighten loose parts Provide additional support to unit
Odors	<ul style="list-style-type: none"> Formation of mold, mildew, or algae on wet surfaces 	<ul style="list-style-type: none"> Clean unit thoroughly Place algaecide tablet in base pan
Water dripping outside	<ul style="list-style-type: none"> Hot and humid weather 	<ul style="list-style-type: none"> Condensation run-off is normal under these conditions.
Water dripping inside	<ul style="list-style-type: none"> Unit is not properly angled to allow water to drain outside It is an extremely humid day 	<ul style="list-style-type: none"> Unit must be installed on an angle for proper condensation run-off. Check the unit and make any adjustments. On an extremely humid day, this effect is expected. No action required.
Ice or frost build-up	<ul style="list-style-type: none"> Low outside temperature Unit air filter is dirty 	<ul style="list-style-type: none"> When outdoor temperature is approximately 18.3°C (65°F) or below, frost may form when unit is in cooling mode. Remove and clean filter

NOTES:

- If circuit breaker is tripped repeatedly, or fuse is blown more than once, contact a qualified technician.
- When the unit is installed using proper installation steps, the unit is properly tipped toward the outdoors to allow for condensation run-off.



LIMITED IN-HOME APPLIANCE WARRANTY

This quality product is warranted to be free from manufacturer's defects in material and workmanship, provided that the unit is used under the normal operating conditions intended by the manufacturer.

This warranty is available only to the person to whom the unit was originally sold by Danby Products Limited (Canada) or Danby Products Inc. (U.S.A.) (hereafter "Danby") or by an authorized distributor of Danby, and is non-transferable.

TERMS OF WARRANTY

Plastic parts, are warranted for thirty (30) days only from purchase date, with no extensions provided.

First year During the first twelve (12) months, any functional parts of this product found to be defective, will be repaired or replaced, at warrantor's option, at no charge to the ORIGINAL purchaser.

To obtain service Danby reserves the right to limit the boundaries of "In Home Service" to the proximity of an Authorized Service Depot. Any appliance requiring service outside the limited boundaries of "In Home Service", it will be the consumer's responsibility to transport the appliance (at their own expense) to the original retailer (point of purchase) or a service depot for repair. See "Boundaries of In Home Service" below. Contact your dealer from whom your unit was purchased, or contact your nearest authorized Danby service depot, where service must be performed by a qualified service technician. If service is performed on the units by anyone other than an authorized service depot, or the unit is used for commercial application, all obligations of Danby under this warranty shall be void.

Boundaries of in-home service If the appliance is installed in a location that is 100 kilometres (62 miles) or more from the nearest service centre your unit must be delivered to the nearest authorized Danby Service Depot, as service must only be performed by a technician qualified and certified for warranty service by Danby. Transportation charges to and from the service location are not protected by this warranty and are the responsibility of the purchaser.

Nothing within this warranty shall imply that Danby will be responsible or liable for any spoilage or damage to food or other contents of this appliance, whether due to any defect of the appliance, or its use, whether proper or improper.

EXCLUSIONS

Save as herein provided, by Danby, there are no other warranties, conditions, representations or guarantees, express or implied, made or intended by Danby or its authorized distributors and all other warranties, conditions, representations or guarantees, including any warranties, conditions, representations or guarantees under any Sale of Goods Act or like legislation or statute is hereby expressly excluded. Save as herein provided, Danby shall not be responsible for any damages to persons or property, including the unit itself, howsoever caused or any consequential damages arising from the malfunction of the unit and by the purchase of the unit, the purchaser does hereby agree to indemnify and hold harmless Danby from any claim for damages to persons or property caused by the unit.

GENERAL PROVISIONS

No warranty or insurance herein contained or set out shall apply when damage or repair is caused by any of the following:

- 1) Power failure.
- 2) Damage in transit or when moving the appliance.
- 3) Improper power supply such as low voltage, defective house wiring or inadequate fuses.
- 4) Accident, alteration, abuse or misuse of the appliance such as inadequate air circulation in the room or abnormal operating conditions (extremely high or low room temperature).
- 5) Use for commercial or industrial purposes (i.e., If the appliance is not installed in a domestic residence).
- 6) Fire, water damage, theft, war, riot, hostility, acts of God such as hurricanes, floods etc.
- 7) Service calls resulting in customer education.
- 8) Improper Installation (i.e., building-in of a free standing appliance or using an appliance outdoors that is not approved for outdoor application). Proof of purchase date will be required for warranty claims; so, please retain bills of sale. In the event warranty service is required, present this document to our AUTHORIZED SERVICE DEPOT.

Warranty Service
In-home

Danby Products Limited
PO Box 1778, Guelph, Ontario, Canada N1H 6Z9
Telephone: (519) 837-0920 FAX: (519) 837-0449

1-800-263-2629
07/14

Danby Products Inc.
PO Box 669, Findlay, Ohio, U.S.A. 45840
Telephone: (419) 425-8627 FAX: (419) 425-8629

BIENVENUE

Bienvenue dans la famille Danby. Nous sommes fiers de la qualité de nos produits et nous croyons fermement au service par une assistance fiable. Vous découvrirez au travers de ce guide, facile d'utilisation et vous en aurez la confirmation par notre service d'assistance à la clientèle. Mais ce qui est encore mieux, vous pourrez bénéficier de ces valeurs à chaque utilisation de votre appareil. Ceci est important parce que votre nouvel appareil fera partie de votre famille pour longtemps.

À titre de référence, vous pouvez agraffer à cette page une copie de votre fiche d'achat de l'appareil. Inscrivez les renseignements suivants fournis (sur la plaque signalétique du fabricant sur le côté droit de l'appareil au-dessus du cordon d'alimentation). Vous aurez besoin de ces renseignements si vous contactez un représentant du service à la clientèle.

S'il vous plaît écrivez informations ci-dessous; ces renseignements seront nécessaires si votre appareil a besoin d'entretien ou pour les demandes de renseignements généraux. Pour bénéficier d'une opération de maintenance ou dépannage, le reçu original sera exigé.

REMARQUE : CET APPAREIL N'A PAS ÉTÉ CONÇU POUR UNE INSTALLATION À TRAVERS UNE PAROI.

Numéro de modèle : _____

Numéro de série : _____

Date d'achat : _____

BESOIN D'ASSISTANCE ?

Veuillez trouver quelques conseils avant de faire appel à nos services, cela nous aidera à mieux vous servir :

Lisez ce guide :

Il comprend des instructions pour l'utilisation et l'entretien adapté de votre unité.

Si votre nouvel appareil est endommagé :

Contactez immédiatement le revendeur (ou le fabricant).

Gagnez du temps et de l'argent :

Avant de faire appel à nos services, consultez à nouveau la section « Dépannage ». Cette section vous aidera à solutionner des problèmes courants.

Si une réparation est nécessaire, ne vous inquiétez pas, la solution est au bout de l'appel téléphonique.



1-800-26-**Danby**
(1-800-263-2629)



AVERTISSEMENT :

Une fiche de mise à la terre mal branchée peut entraîner un risque d'incendie, de choc électrique ou de blessures aux personnes qui utilisent l'appareil. Si vous n'êtes pas certain que l'appareil est correctement mis à la terre, consultez un préposé du service qualifié.



CONSIGNES DE SÉCURITÉ IMPORTANTES


LISEZ TOUTE L'INFORMATION DE SÉCURITÉ AVANT UTILISATION

POUR VOTRE SÉCURITÉ : Lire attentivement ces instructions avant d'utiliser l'appareil.

SPECIFICATIONS ELECTRIQUES

1. Tous les câblages doivent être conformes aux codes électriques locaux et nationaux et doivent être installés par un électricien qualifié. Si vous avez la moindre question au sujet des instructions ci-dessous, contactez un électricien qualifié.
2. Vérifiez la fourniture d'alimentation électrique disponible et résolvez tout problème de câblage AVANT d'installer et de faire fonctionner cet appareil.
3. Ce climatiseur à 115V utilise 6,5 ampères ou moins de puissance nominale et peut être utilisé dans toute prise de courant domestique de but général adéquatement câblée. Reportez-vous au **Tableau 1** pour les spécifications concernant le circuit de dérivation individuel.
4. Pour votre sécurité et votre protection, cet appareil est mis à la masse par la fiche du cordon d'alimentation lorsqu'elle est branchée dans une prise murale qui lui correspond. Si vous n'êtes pas certain que votre prise de courant murale est mise à la masse adéquatement, veuillez consulter un électricien qualifié.
5. La prise murale doit correspondre à la fiche à 3 broches sur le cordon de service fourni avec l'appareil. N'utilisez PAS de fiches d'adaptation. Voir **Tableau 2** pour les renseignements sur les prises de courant et les fusibles.
6. La plaque signalétique sur l'appareil contient des données électriques et techniques; elle se trouve sur le côté droit de l'appareil, au-dessus du cordon d'alimentation.

TABLEAU 1 DAC080BAUWDB	
Circuit de distribution individuel suggéré	
Ampères de plaque d'identification 6,5	Calibre de fil AWG* 16
AWG – American Wire Gauge (Calibre de fil américain) *Basé sur le fil en cuivre à une température nominale de 60°C	

TABLEAU 2	
Types de fusibles et de réceptacles	
Tension nominale	125
Ampères	15
Prise de courant	
Intensité de fusible	15
Fusible temporisé (ou disjoncteur de circuit)	Type fiche



CONSIGNES DE SÉCURITÉ IMPORTANTES

LISEZ TOUTE L'INFORMATION DE SÉCURITÉ AVANT UTILISATION

POUR VOTRE SÉCURITÉ : Lire attentivement ces instructions avant d'utiliser l'appareil.

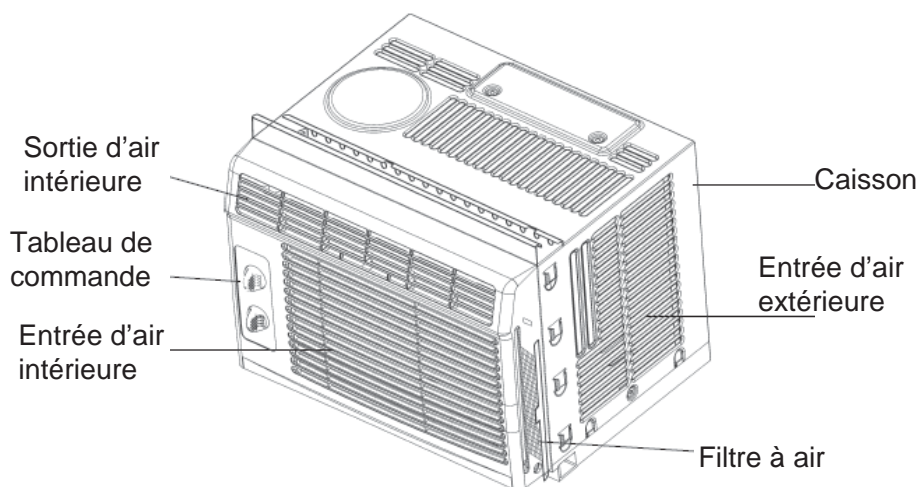
L'ÉCONOMIE DE L'ÉNERGIE

Votre appareil ménager est conçu pour l'efficacité en économie de l'énergie. Pour le rendement maximal, observer les recommandations qui suivent.

1. Choisir un réglage du thermostat qui répond à vos besoins de confort et le laisser au réglage choisi.
2. Le filtre à air est très efficace pour éliminer les particules qui flottent dans l'air. Conserver le filtre à air propre en tout temps.
3. Utiliser des draperies, des rideaux ou des stores pour prévenir la pénétration et le réchauffement de la pièce par les rayons directs du soleil, mais ne pas permettre la restriction de la circulation d'air autour de l'unité par les draperies ou les rideaux.
4. Activer votre climatiseur avant que la température de l'air extérieur ne soit très chaude. Ceci préviendra une période initiale d'inconfort avant que l'unité ne puisse refroidir la pièce.



CARACTÉRISTIQUES





CONSIGNES D'INSTALLATION

REMARQUE : Votre climatiseur de chambre a été conçu pour une installation facile dans une fenêtre à châssis à guillotine simple ou double. Cet appareil n'a pas été conçu pour des fenêtres verticales (de type coulissant) ou pour être installé à travers une paroi.



RISQUE DE CHOC ÉLECTRIQUE

Pour éviter la possibilité de blessures corporelles, débrancher l'alimentation de courant à l'unité avant d'entreprendre l'installation ou le service.

OUTILS NÉCESSAIRES POUR INSTALLATION :

- Tournevis à tête Phillips et plate
- Perceuse électrique Mèche de 1/8 po de diam.
- Crayon
- Ruban à mesure
- Ciseaux
- Clé réglable

REMARQUE : Conservez le carton d'expédition et le matériel d'emballage pour futur entreposage ou transport de l'appareil. Ôtez l'appareil du carton, le sac en plastique qui contient la trousse de quincaillerie nécessaire pour l'installation de votre climatiseur. Veuillez vérifier le contenu de la trousse de quincaillerie d'installation en le comparant à la liste de vérification du modèle correspondant, et ce, avant l'installation de l'appareil. **Voir Fig. 1.**

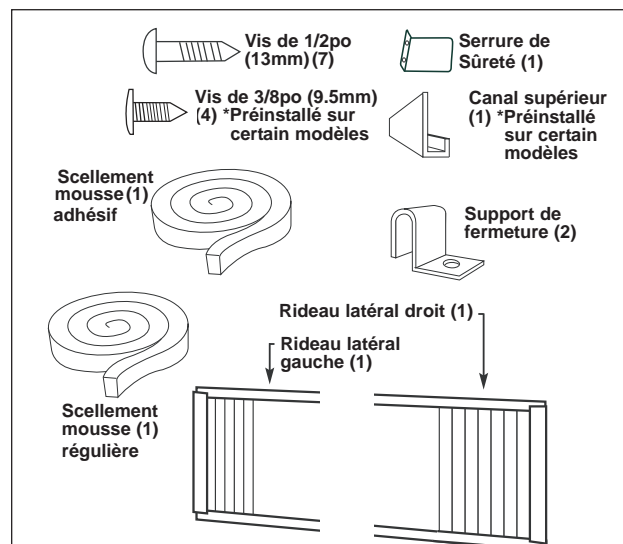


MISE EN GARDE

Comme le compresseur se trouve du côté des commandes de l'unité (côté gauche), ce côté est plus lourd et plus difficile à manipuler. Un soutien inapproprié du côté des commandes de l'appareil peut causer des blessures et endommager l'appareil et d'autres biens mobiliers. C'est pourquoi il est recommandé que quelqu'un vous aide au cours de l'installation de cet appareil.

OUTILS NÉCESSAIRES POUR INSTALLATION

Fig. 1





CONSIGNES D'INSTALLATION

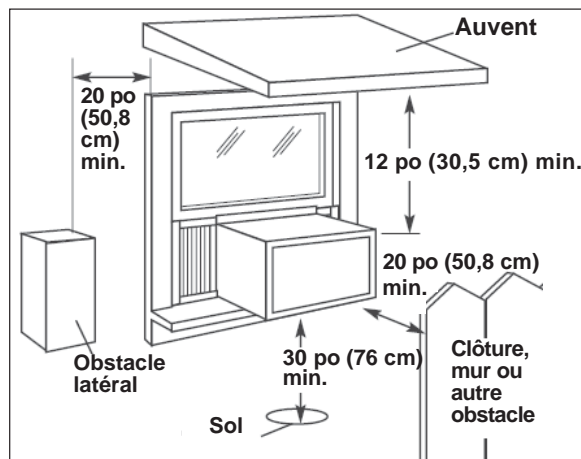
ENDROIT

1. Ce climatiseur pour chambre a été conçu pour être installé facilement dans une fenêtre à châssis à guillotine simple ou double. Cependant, comme le design de la fenêtre peut varier, il peut être nécessaire d'y faire quelques modifications pour une installation sécuritaire et appropriée.
2. Assurez-vous que la fenêtre et son châssis sont structurellement solides et exempts de bois sec et pourri.
3. Pour un maximum d'efficacité, installez le climatiseur sur le côté de la maison ou de l'immeuble qui se trouve plus souvent à l'ombre qu'au soleil. Si l'appareil est directement sous les rayons du soleil, installer un auvent pour protéger l'unité.
4. Laissez suffisamment d'espace libre autour du caisson pour permettre une ample circulation d'air à travers l'appareil. Voir Fig. 2. L'arrière de l'appareil doit donner sur l'extérieur de la maison et non pas dans un garage ou à l'intérieur d'un immeuble. Tenez l'appareil aussi loin que possible de tout obstacle ou obstruction et à au moins 30 po au-dessus du plancher ou du sol. Il ne faut pas que les rideaux ou d'autres objets à l'intérieur de la pièce puissent bloquer le flux d'air.
5. Assurez-vous que la prise électrique appropriée se trouve à la portée de l'installation. N'utilisez qu'un circuit à prise unique calculé à 15 ampères. Tout le câblage doit être conforme aux codes électriques locaux et nationaux.
6. N'installez PAS l'appareil à un endroit où on soupçonne une fuite de gaz combustibles. Votre climatiseur peut tomber en panne dans une atmosphère qui contient des huiles (y compris des huiles pour machines), des gaz sulfurés, ou s'il est près de sources d'eau chaude, etc.

REMARQUE : Votre appareil a été conçu pour que la condensation s'évapore dans des conditions normales. Cependant, en présence d'une humidité extrême, un surplus de condensation peut provoquer un débordement de la cuvette de base vers l'extérieur. L'appareil doit être installé de telle sorte que l'écoulement de la condensation ne se déverse pas sur des passants ou sur des propriétés avoisinantes.

REMARQUE : Il est normal que l'appareil coule légèrement, surtout lors des journées excessivement humides.

Fig. 2





CONSIGNES D'INSTALLATION

ASSEMBLAGE ET INSTALLATION

1. Montage de canaux supérieur sur le caisson (préinstallé sur certain modèles).

- Canal supérieur en forme de "L": Installez le canal en forme de "L" au-dessus du caisson tel que montré à la Fig. 3, un utilisant quatre (4) vis de 3/8 po.

2. Montage des rideaux latéraux au caisson.

- Étendez les volets et glissez-le dans les support de volets sur le canal latéral du climatiseur comme montré dans Fig. 4.
- Faites glisser les cadre des volets dans les canaux supérieur (en formede "L") et inférieur (en forme de "U") Ces volets sont identifiés (sur le cadre) en tant que volets gauches et droits.

Fig. 3

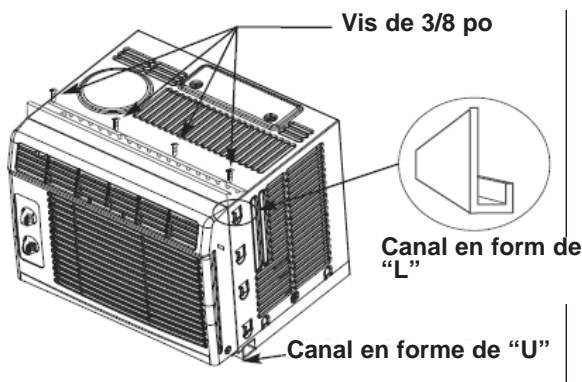
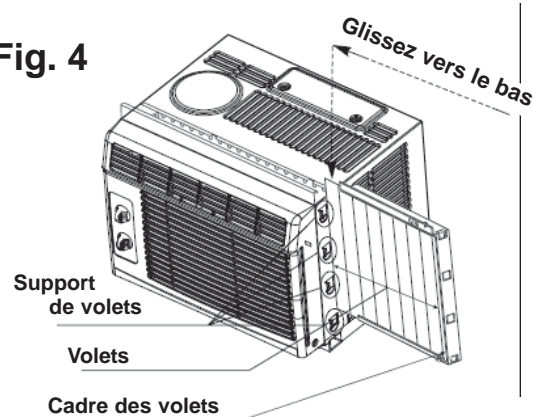


Fig. 4



3. Pour compléter l'installation

- Coupez la lisière à calfeutrer en mousse (non adhésif) pour qu'elle se fixe adéquatement au dessous du bas du cadre de la fenêtre.
- Placez le climatiseur dans la fenêtre avec le canal de montage en forme de "L" (en haut) positionné à l'avant du cadre supérieur de la fenêtre. Le bas du caisson doit être positionné dans le bas du cadre de la fenêtre. Tirez la fenêtre vers le bas jusqu'à ce qu'elle repose juste derrière le rebord frontal du canal de montage en forme de "L" (supérieur). **Voir Fig. 5.**
- Étendez les cadres des volets (complètement) de chaque côté, et fixez le haut des structures au cadre de la fenêtre en utilisant une vis de 1/2 po, et une autre vis de 1/2 po sur le canal supérieur en forme de « L » (**Fig. 5**).
- Fixez les supports de fermeture de chaque côté du bas des volets, et fixez-les au rebord de la fenêtre en utilisant une vis de 1/2 po, sur chaque côté (**Voir Fig. 6**).
- Coupez la bande adhésive afin qu'elle s'ajuste adéquatement à l'ouverture entre les fenêtres intérieure et extérieure. Puis, fixez la serrure de sureté au cadre de fenêtre extérieure, en utilisant une vis de 1/2 po (**Voir Fig. 6**).

REMARQUE : Les applications à une fenêtre présentent toute une variété de styles différents. C'est pourquoi il peut être nécessaire de modifier ou d'improviser votre installation particulière.

Fig. 5

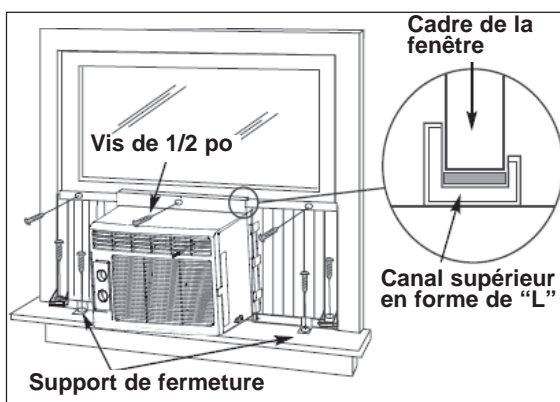


Fig. 6





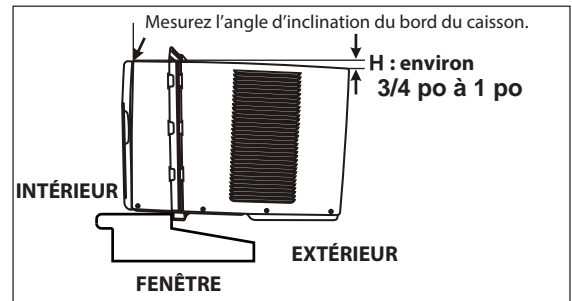
CONSIGNES D'UTILISATION

ASSEMBLAGE ET INSTALLATION

Vérifiez que le climatiseur est incliné vers le bas à l'extérieur, environ 3° à 4°, selon **Fig. 7**. Après une installation adéquate, l'eau condensée ne devrait pas s'écouler du trou de drainage pendant une utilisation normale. Si vous remarquez d'égouttement d'eau, vérifiez l'angle d'inclinaison et exécutez tout ajustement. Pourtant, lorsqu'il fait très humide, l'égouttement d'eau peut arriver – cela est normale.

Mesurez l'angle d'inclinaison du bord du caisson. L'intervalle H devrait être environ 3/4 à 1 pouces.

Fig. 7



COMMANDES

VITESSE DU VENTILATEUR :

- **BAS** l'air circule à une vitesse minimum, sans refroidissement.
- **MOYENNE** l'air circule à une vitesse moyenne, sans refroidissement.
- **HAUT** l'air circule à une vitesse maximum, sans refroidissement.

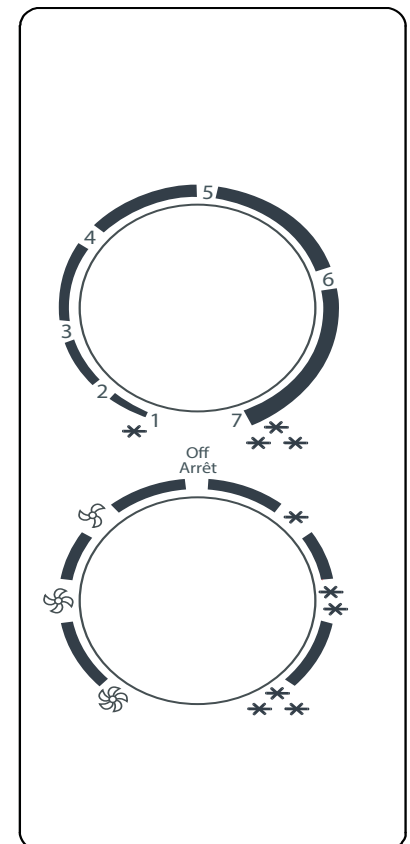
FONCTION DE SÉLECTION : Le commutateur de sélection commande le mode du refroidissement. Tournez simplement le bouton du SÉLECTEUR pour le positionner sur l'un des deux réglages décrits ci-dessous.

REFROIDISSEMENT :

- **BAS REFROIDIT** avec un min. de circulation d'air. Recommandé pour la nuit.
- **MOYENNE REFROIDIT** avec un moyenne de circulation d'air.
- **HAUT REFROIDIT** avec une circulation d'air max. Recommandé pour un refroidissement rapide ou en temps de canicules. Une fois la pièce refroidie, il faut réduire le refroidissement à **FAIBLE**.
- **ARRÊT** cette fonction éteint complètement l'unité.

REMARQUE : Il faut toujours attendre 3 minutes avant de passer d'un réglage à un autre.

THERMOSTAT : Le thermostat contrôle complètement le cycle de refroidissement (compresseur) et maintient la température choisie pour la chambre. Pour régler le thermostat, tournez le bouton du thermostat au réglage de refroidissement désiré (1 le plus chaud - 7 le plus froid).



IMPORTANTE

Tournez le commutateur de sélection lentement pour que le climatiseur se règle bien. Quand vous utilisez le THERMOSTAT, assurez-vous d'attendre trois minutes avant de passer d'une température à une autre. En le réglant trop rapidement, on peut provoquer une surcharge du compresseur.



IMPORTANTE

Le panneau de contrôle peut paraître différemment qu'indiqué.
Le panneau peut varier selon le modèle acheté.



SOINS ET ENTRETIEN

NETTOYAGE



REMARQUE : Afin d'éviter tout choc électrique, éteindre et débrancher le climatiseur avant entretien ou réparation.

Avant de procéder à l'entretien du climatiseur, assurez-vous de tourner le bouton de **SÉLECTION** en position "**ARRÊT**" et **débranchez le cordon d'alimentation de la prise électrique.**

1. N'utilisez **PAS** de l'essence, un produit chimique, diluant ou autre sur un climatiseur, car ces substances peuvent endommager la finition de la peinture et déformer des pièces en plastique.
2. N'essayez jamais de verser de l'eau directement sur le climatiseur, car cela provoque une détérioration de l'isolation électrique.

FILTRE À AIR

Si le filtre à air est bouché par de la poussière, la circulation d'air est obstruée et perd de son efficacité. Le filtre à air doit être nettoyé toutes les 2 semaines.

Le filtre à air du modèle ci-dessus se trouve derrière la grille frontale de la prise d'air. Pour enlever le filtre à air, saisissez la poignée du filtre sur l'avant de la grille et glissez-le (vers l'extérieur) à droite.

Pour réinstaller le filtre à air, faites l'inverse des procédures ci-dessus. Le filtre à air peut être passé à l'aspirateur ou lavé à la main dans de l'eau chaude. Séchez-le bien avant de l'installer.

NETTOYAGE DU FILTRE À AIR :

1. Utilisez un aspirateur de poussière muni d'une brosse douce.
2. Lavez le filtre dans de l'eau tiède de moins de 40°C (104°F). Pour obtenir de meilleurs résultats, lavez avec une eau savonneuse ou un agent neutre de nettoyage.
3. Rincez le filtre avec de l'eau propre et séchez-le à fond avant de le réinstaller.



MISE EN GARDE

N'oubliez **PAS** d'installer le filtre à air. Si on fait fonctionner le climatiseur sans filtre à air, la poussière n'est pas éliminée de l'atmosphère de la pièce et peut entraîner une défaillance de la machine. Quand la grille de l'entrée d'air et le caisson sont sales, essuyezles avec de l'eau tiède (au-dessous de 40°C / 104°F). On recommande l'utilisation d'un détersif doux.

ENTRETIEN HORS SAISON

1. Coupez le courant et enlevez la fiche de la prise murale.
2. Nettoyez le filtre.
3. Rangez le climatiseur (couvert) dans un endroit sec.



ATTENTION

Durant installation et/ou en enlevant le climatiseur de la fenêtre, assurez-vous que l'attention est prise pour empêcher de tomber hors de la fenêtre. On recommande que l'installation ou le déplacement du climatiseur soit fait avec l'assistance pour empêcher des dommages aux personnes ou des dommages à l'appareil ou à la propriété.

MISE AU REBUT

Vérifiez le respect des réglementations locales concernant la mise au rebut approuvée et sécurisée de cet appareil.



DÉPANNAGE

De temps en temps, un problème est mineur et un appel de service peut ne pas être nécessaire. Utilisez ce guide de dépannage pour trouver une solution possible. Si l'unité continue de fonctionner incorrectement, appelez un dépôt de service autorisé ou le **numéro sans frais de Danby** pour obtenir de l'assistance.

Tel: 1-800-26**Danby**® (1-800-263-2629)

PROBLEME	CAUSE PROBABLE	SOLUTION
Climatiseur ne veut pas fonctionner	<ul style="list-style-type: none"> Aucun courant branché à l'appareil 	<ul style="list-style-type: none"> Vérifiez le branchement du cordon d'alimentation à la source de courant Vérifiez le fusible ou le disjoncteur Placer le commutateur de sélection à une position autre que ARRÊT. Le bouton RESET (du cordon d'alimentation) doit toujours être enfoncé pour un bon fonctionnement.
Inefficace ou aucun refroidissement	<ul style="list-style-type: none"> Filtre à air sale Les dimensions de l'appareil ne conviennent pas à son application Circulation d'air bloquée Interruption du courant, réglages changés trop rapidement, ou compresseur déclenché par surcharge. 	<ul style="list-style-type: none"> Nettoyez ou remplacez le filtre à air Vérifiez avec le concessionnaire si la capacité de l'appareil est appropriée à son application Enlevez l'objet qui obstrue la grille ou les volets extérieurs. Arrêtez le climatiseur et attendez 5 minutes avant de le remettre en marche.
Appareil bruyant	<ul style="list-style-type: none"> Pièces desserrées Support inadéquat 	<ul style="list-style-type: none"> Serrez les pièces qui sont desserrées ou ont de jeu Fournissez un support supplémentaire à l'appareil
Odors	<ul style="list-style-type: none"> Formation de moisissure ou d'algues sur les surfaces mouillées. 	<ul style="list-style-type: none"> Nettoyez à fond l'appareil. Mettez une tablette anti-algues dans la cuvette de base.
De l'eau s'égoutte à l'extérieur.	<ul style="list-style-type: none"> L'écoulement de la condensation est normal, quand le temps est chaud et humide. 	<ul style="list-style-type: none"> Ajoutez un tube flexible pour réacheminer l'écoulement de l'eau.
De l'eau s'égoutte à l'intérieur.	<ul style="list-style-type: none"> L'appareil n'est pas incliné adéquatement pour permettre à l'eau de s'écouler à l'extérieur. C'est une journée très humide 	<ul style="list-style-type: none"> L'appareil doit être installé à un certain angle pour permettre un écoulement adéquat de la condensation. Vérifiez l'appareil et exécutez tout ajustement. Lorsqu'il fait très humide, ce phénomène est attendu. Aucune action requise.
Formation de glace ou de givre.	<ul style="list-style-type: none"> Température très froide à l'extérieur. Le filtre à air de l'appareil est sale. 	<ul style="list-style-type: none"> Lorsque la température extérieure est d'environ 18.3°C (65°F) ou moins, du givre peut se former quand l'appareil est en mode refroidissement. Enlevez et nettoyez le filtre à air.

REMARQUES :

- Si le disjoncteur se déclenche à maintes reprises, ou si le fusible a grillé plus d'une fois, contactez un technicien qualifié.
- Quand l'appareil est installé en suivant les étapes d'installation adéquates, l'appareil est incliné de façon appropriée vers l'extérieur pour permettre l'écoulement de la condensation.

GARANTIE LIMITÉE SUR APPAREIL ÉLECTROMÉNAGER À DOMICILE

Cet appareil de qualité est garanti exempt de tout vice de matière première et de fabrication, s'il est utilisé dans les conditions normales recommandées par le fabricant.

Cette garantie n'est offerte qu'à l'acheteur initial de l'appareil vendu par Danby Products Limited (Canada) ou Danby Products Inc. (E.- U.A.) (ci-après « Danby ») ou par l'un des ses distributeurs agréés et elle ne peut être transférée.

CONDITIONS

Les pièces en plastique sont garanties pendant trente (30) jours seulement à partir de la date de l'achat, sans aucune prolongation prévue.

Premiers 12 mois Pendant les premiers douze (12) mois, toutes les pièces fonctionnelles de ce produit qui s'avèrent défectueuses seront réparées ou remplacées, selon le choix du garant, sans frais à l'acheteur INITIAL.

Pour bénéficier du service Le client sera responsable pour le transport et tous les frais d'expédition de tout appareil exigeant le service au dépôt de service autorisé le plus proche. S'adresser au détaillant qui a vendu l'appareil, ou à la station technique agréée de service la plus proche, où les réparations doivent être effectuées par un technicien qualifié. Si les réparations sont effectuées par quiconque autre que la station de service agréée où à des fins commerciales, toutes les obligations de Danby en vertu de cette garantie seront annulées.

Limites de l'entretien à domicile Si l'appareil est installé à plus de 100 kilomètres (62 milles) du centre de service le plus proche, il doit être livré à l'atelier de réparation autorisé par Danby le plus proche, car l'entretien doit uniquement être réalisé par un technicien qualifié et certifié pour effectuer un entretien couvert par la garantie de Danby. Les frais de transport entre votre domicile et le lieu de l'entretien ne sont pas couverts par la présente garantie et doivent être acquittés par l'acheteur.

Aucune partie de la garantie ne prévoit implicitement que le fabricant sera tenu responsable des dommages subis par les aliments ou d'autres types de contenu, qu'ils soient causés par la défectuosité de l'appareil ou par son usage adéquat ou inadéquat.

EXCLUSIONS

En vertu de la présente, il n'existe aucune autre garantie, condition ou représentation, qu'elle soit exprimée ou tacite, de façon manifeste ou intentionnelle, par Danby ou ses distributeurs agréés. De même, sont exclues toutes les autres garanties, conditions ou représentations, y compris les garanties, conditions ou représentations en vertu de toute loi régissant la vente de produits ou de toute autre législation ou règlement semblables. En vertu de la présente, Danby ne peut être tenue responsable en cas de blessures corporelles ou des dégâts matériels, y compris à l'appareil, quelle qu'en soit les causes. Danby ne peut pas être tenue responsable des dommages indirects dus au fonctionnement défectueux de l'appareil. En achetant l'appareil, l'acheteur accepte de mettre à couvert et de dégager Danby de toute responsabilité en cas de réclamation pour toute blessure corporelle ou tout dégât matériel causé par cet appareil.

CONDITIONS GÉNÉRALES

La garantie ou assurance ci-dessus ne s'applique pas si les dégâts ou réparations sont dus aux cas suivants :

- 1) Panne de courant.
- 2) Dommages subis pendant le transport ou le déplacement de l'appareil.
- 3) Alimentation électrique incorrecte (tension faible, câblage défectueux, fusibles incorrects).
- 4) Accident, modification, emploi abusif ou incorrect de l'appareil tel qu'une circulation d'air inadéquate dans la pièce ou des conditions de fonctionnement anormales (température extrêmement élevée ou basse).
- 5) Utilisation dans un but commercial ou industriel (à savoir, si l'appareil n'est pas installé dans un domicile résidentiel).
- 6) Incendie, dommages causés par l'eau, vol, guerre, émeute, hostilités, cas de force majeure (ouragan, inondation, etc.).
- 7) Visites d'un technicien pour expliquer le fonctionnement de l'appareil au propriétaire.
- 8) Installation inappropriée (par exemple, encastrement d'un appareil autoportant, ou utilisation extérieure d'un appareil non conçu à cet effet). Une preuve d'achat doit être présentée pour toute demande de réparation sous garantie. Prière de garder le reçu. Pour faire honorer la garantie, présenter ce document à la station technique agréée ou s'adresser à :

Service sous garantie
Service au domicile

Danby Products Limited
PO Box 1778, Guelph, Ontario, Canada N1H 6Z9
Téléphone : (519) 837-0920 Télécopieur: (519) 837-0449

1-800-263-2629
03/14

Danby Products Inc.
PO Box 669, Findlay, Ohio, U.S.A. 45840
Téléphone: (419) 425-8627 Télécopieur: (419) 425-8629

BIENVENIDO

Bienvenido a la familia Danby. Estamos orgullosos de nuestros productos de alta calidad y creemos en el servicio confiable. Usted lo podrá apreciar en este manual fácil de usar, y lo escuchará en las voces amistosas de nuestro departamento de servicio al consumidor. Sobre todo, usted apreciará estas ventajas cada vez que use su unidad. Eso es importante, ya que su nuevo artefacto formará parte de su familia por mucho tiempo.

Para una fácil referencia, sugerimos adjuntar una copia de su recibo/boleta de compra a esta página, junto con la siguiente información, que se encuentra en la placa de datos del fabricante en el lado derecho de la unidad, por encima del cable de alimentación.

Por favor escriba la siguiente información; esta información será necesaria si su unidad requiere servicio o para hacer consultas generales. Para recibir servicio técnico debe mostrar el recibo original.

NOTA: ESTA UNIDAD NO FUE DISEÑADA PARA INSTALARSE “A TRAVÉS DE LA PARED”.

Número de Modelo: _____

Número de Serie: _____

Fecha de la compra: _____

NECESITA AYUDA

Antes de solicitar servicio, hay algunas cosas que puede hacer para ayudarnos a servirle mejor...

Lea este manual:

Contiene instrucciones que lo ayudarán a mantener correctamente su unidad.

Si usted recibe un artefacto dañado:

Llame inmediatamente al distribuidor (o constructor) que se lo vendió.

Ahorre tiempo y dinero:

Lea la sección de Diagnóstico de Problemas antes de llamar. Esta sección le ayudará a resolver problemas comunes que pudieran ocurrir.

Si necesita asistencia, no se preocupe y llámenos.



1-800-26-**Danby**
(1-800-263-2629)



ADVERTENCIA :

Una instalación inadecuada de la conexión a tierra puede dar como resultado un riesgo de incendio, descarga eléctrica o lesiones a las personas asociadas con el artefacto. Verifique con un representante calificado de servicio en caso de dudas sobre si el artefacto tiene una buena conexión a tierra.



INFORMACIÓN IMPORTANTE SOBRE SEGURIDAD

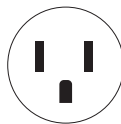
LEA Y SIGA TODAS LAS INSTRUCCIONES DE SEGURIDAD

PARA SU SEGURIDAD: Lea estas instrucciones cuidadosamente antes de utilizar la unidad.

REQUISITOS ELÉCTRICOS

1. Toda la instalación eléctrica debe cumplir con los códigos locales y nacionales de electricidad y debe ser realizada por un electricista calificado. Si tiene alguna pregunta relacionada con las instrucciones siguientes, comuníquese con un electricista calificado.
2. Revise el suministro eléctrico disponible y resuelva cualquier problema eléctrico ANTES de instalar y utilizar esta unidad.
3. Este aire acondicionado de 115 V utiliza 6,5 o menos amperios de lo indicado en la placa de datos y se puede usar en cualquier receptáculo correctamente cableado, de uso general para el hogar. Consulte la **Tabla 1** para ver las especificaciones del circuito derivado individual.
4. Para su seguridad y protección, esta unidad está conectada a tierra a través del enchufe de electricidad cuando se conecta a un toma corriente correspondiente en la pared. Si no está seguro de si el tomacorriente de la pared está correctamente conectado a tierra, consulte a un electricista calificado.
5. El toma corriente en la pared debe corresponder al enchufe de 3 patas del cable de alimentación suministrado con la unidad. NO UTILICE adaptadores de enchufe. Consulte la **Tabla 2** para ver la información del receptáculo y el fusible.
6. La placa de características de la unidad contiene datos eléctricos y otros datos técnicos. La placa de características se encuentra en el lado derecho de la unidad, por encima del cable de alimentación.

TABLA 1 DAC080BAUWDB	
Circuito derivado individual sugerido	
Amperios de la placa de 6,5	*Tamaño del cable AWG 16
AWG: Calibre de cable estadounidense *Basado en cable de cobre a 60 °C de temperatura.	

TABLA 2	
Tipos de receptáculo y fusible	
Tensión nominal	125
Amperios	15
Toma corriente en pared	
Tamaño del fusible	15
Fusible de retardo (o disyuntor)	Tipo de enchufe



INFORMACIÓN IMPORTANTE SOBRE SEGURIDAD

LEA Y SIGA TODAS LAS INSTRUCCIONES DE SEGURIDAD

PARA SU SEGURIDAD: Lea estas instrucciones cuidadosamente antes de utilizar la unidad.

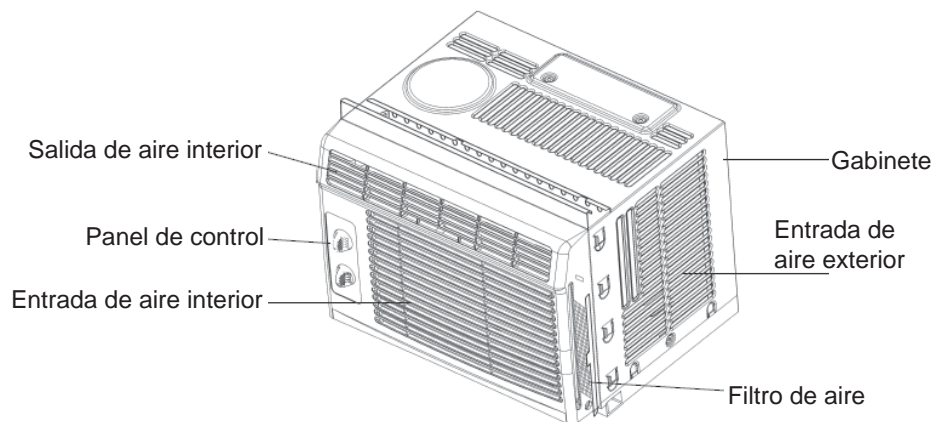
CONSEJOS PARA AHORRAR ENERGÍA

Su artefacto está diseñado para ser altamente eficiente en el ahorro de energía. Siga estas recomendaciones para lograr mayor eficiencia.

1. Seleccione la configuración del termostato que se adapte a sus necesidades de comodidad y deje esa configuración.
2. El filtro de aire es muy eficiente en retirar las partículas del aire. Mantenga siempre el filtro de aire limpio. (Generalmente, debe limpiarse cada 2 semanas según la calidad del aire interior).
3. Utilice tules, cortinas o sombrillas para evitar que penetre la luz solar directa y el calor a la habitación, pero no permita que los tules o cortinas obstaculicen el flujo de aire alrededor de la unidad.
4. Encienda su aire acondicionado antes que el aire del exterior se caliente, para evitar un período de incomodidad mientras la unidad enfría la habitación.



CARACTERÍSTICAS





INSTRUCCIONES DE INSTALACIÓN

NOTA: Su equipo de aire acondicionado de pared está diseñado para instalarse fácilmente en una ventana única o ventana de doble abertura. Esta unidad **NO** está diseñada para ventanas verticales (tipo deslizantes) o para ser aplicada en la pared.



RIESGO DE CHOQUE ELÉCTRICO

Para evitar la posibilidad de lesiones personales, desconecte la energía de la unidad antes de la instalación o el servicio técnico.

HERRAMIENTAS NECESARIAS PARA LA INSTALACIÓN:

- Destornilladores: Phillips y de cabeza plana.
- Taladro eléctrico: Broca de 1/8 in (3,2 mm) de diámetro
- Lápiz
- Cinta métrica
- Tijeras
- Nivel de carpintero

NOTA: Conserve la caja de cartón y los materiales de empaque para el almacenamiento o transporte futuro. De la caja, retire la bolsa de plástico que contiene el juego de tornillería necesario para la instalación de su aire acondicionado. Verifique el contenido del juego de tornillería con la lista de control del modelo correspondiente antes de la instalación de la unidad. Consulte la **Fig. 1**.

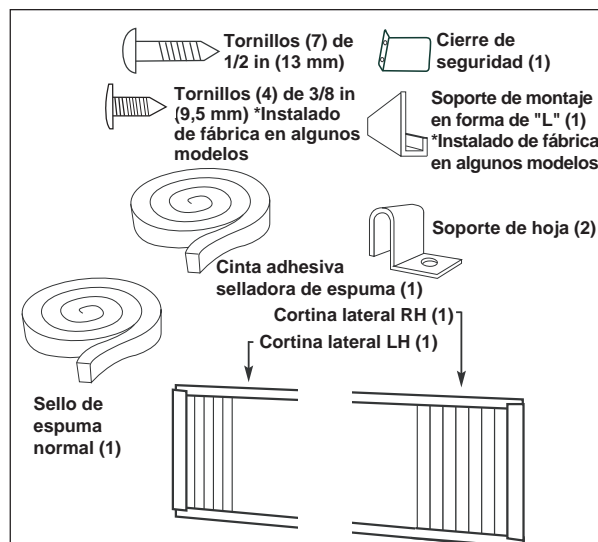


PRECAUCIÓN

Debido a que el compresor está ubicado en el lado de los controles de la unidad (lado izquierdo), este lado será más pesado e incómodo para manipular. Un soporte inadecuado en el lado del control de la unidad puede causar lesiones personales y daños en la unidad y su propiedad. Por eso, es recomendable que cuente con alguien que lo ayude durante la instalación de la unidad.

TORNILLERÍA

Fig. 1





INSTRUCCIONES DE INSTALACIÓN

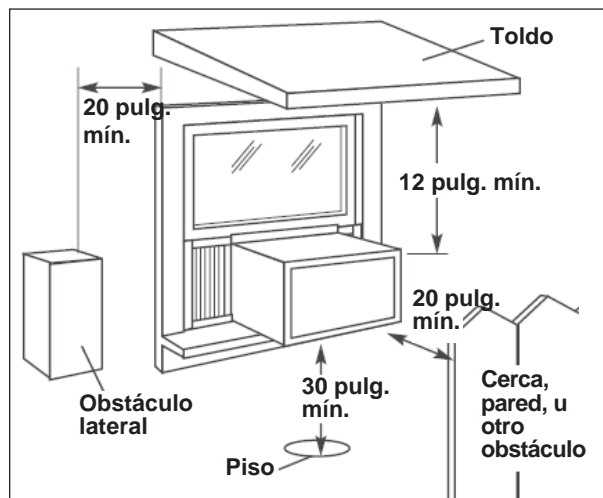
UBICACIÓN

1. Este aire acondicionado está diseñado para adaptarse fácilmente a una ventana única o ventana de doble abertura. Sin embargo, ya que el diseño de las ventanas varía, puede ser necesario hacer algunas modificaciones para realizar una instalación segura y adecuada.
2. Asegúrese de que la ventana y el marco estén en buen estado estructural, sin que la madera esté cuarteada o podrida.
3. Para una eficiencia máxima, instale el aire acondicionado en un lado de la casa o edificio que favorezca más la sombra que la luz solar. Si la unidad está bajo la luz solar directa, es aconsejable colocar un toldo sobre la unidad.
4. Proporcione suficiente espacio libre alrededor del gabinete para permitir la circulación de aire con holgura en la unidad (**Consulte la Fig. 2**). La parte posterior de la unidad debe estar en el exterior. No debe estar en el garaje o dentro del edificio. Mantenga la unidad tan lejos como sea posible de obstáculos u obstrucciones y al menos a 30 in por encima del piso. Debe evitarse que las cortinas y otros objetos dentro de la habitación bloqueen el flujo de aire.
5. Asegúrese de que la salida eléctrica correcta esté al alcance de la instalación. Utilice únicamente un circuito de salida único con una capacidad nominal de 15 amperios. Toda la instalación eléctrica debe ser hecha de acuerdo con los códigos locales y nacionales de electricidad.
6. NO instale la unidad donde se sospeche que hay fuga de gas combustible. El aire acondicionado puede dejar de funcionar en ambientes con aire que contenga aceites (incluido aceite de máquinas), gas de sulfuro, cerca de fuentes termales, etc.

NOTA: La unidad está diseñada para evaporar la condensación bajo condiciones normales. Sin embargo, bajo condiciones extremas de humedad, el exceso de condensación puede causar el rebalsamiento de la bandeja hacia el exterior. La unidad debe instalarse donde la salida de la condensación no pueda gotear sobre los peatones o las propiedades de los vecinos.

NOTA: Es normal que la unidad funcione ligeramente, especialmente durante días excesivamente húmedos.

Fig. 2





INSTRUCCIONES DE INSTALACIÓN

MONTAJE E INSTALACIÓN

1. Montaje del canal superior al gabinete (en algunas unidades instalado de fábrica)

- Canal superior en "L": Instale el canal en "L" en la parte superior del gabinete, como se muestra en la Fig. 3; utilice cuatro tornillos (4) de 3/8 in.

2. Montaje de las cortinas laterales al gabinete.

- Extienda la persiana del marco de persiana y deslícela dentro de las pestañas de la persiana en el canal lateral del aire acondicionado, como se muestra en la Fig. 4.
- Deslice las persianas en los canales superior (en "L") e inferior (en "U"). Las persianas están identificadas (en el marco) como derecha e izquierda.

Fig. 3

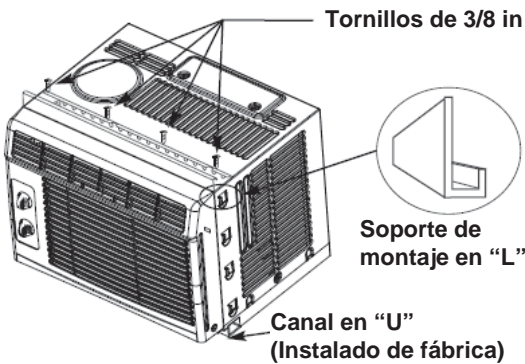
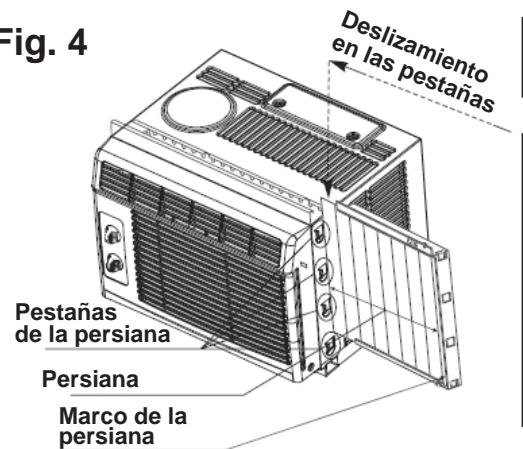


Fig. 4



3. Complete la instalación.

- Coloque cuidadosamente el aire acondicionado en la ventana con el soporte de montaje en "L" (en la parte superior) ubicado al frente de la hoja de la ventana superior. La parte inferior del gabinete debe colocarse en la parte empotrada del marco de la ventana. Tire la ventana hacia abajo hasta que quede justo detrás del reborde frontal del soporte de montaje en "L" (superior) (**Consulte la Fig. 5**).
- Extienda los marcos de persiana (completamente) en cada lado y asegure la parte superior de los marcos a la hoja de la ventana utilizando un tornillo de 1/2 in en cada lado y uno en el soporte de montaje en "L" (**Fig. 5**).
- Asegure la abrazadera de la persiana en cada lado de la parte inferior de la persiana y asegure al antepecho de la ventana usando un tornillo de 1/2 in en cada lado (**Fig. 5**).
- Coloque la segunda cinta selladora de espuma para ajustar la abertura entre las ventanas interiores y exteriores; luego, conecte el cierre de seguridad al marco de la ventana exterior usando un tornillo de 1/2 in (**Consulte la Fig. 6**).

TENGA EN CUENTA: Las aplicaciones para las ventanas vienen en una variedad de estilos diferentes. Por lo tanto, puede ser necesario modificar su instalación particular.

Fig. 5

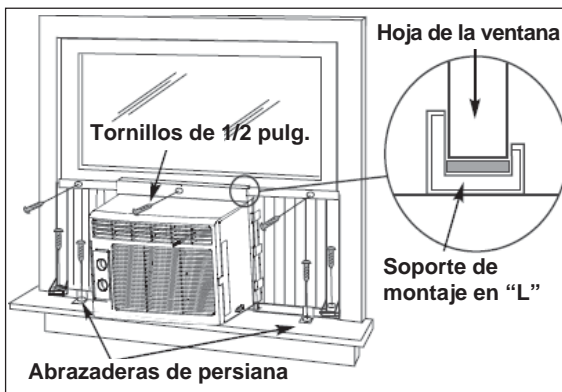
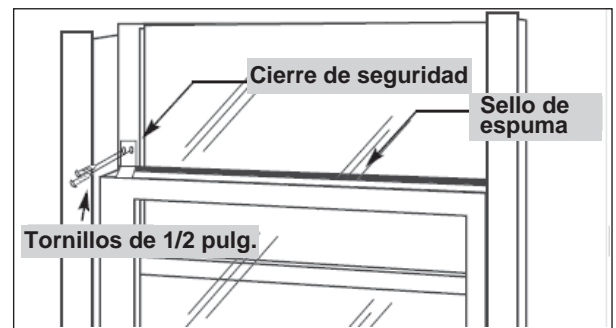


Fig. 6





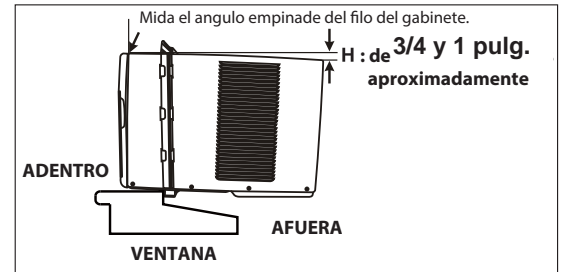
INSTRUCCIONES DE FUNCIONAMIENTO

MONTAJE E INSTALACIÓN

Verificar que el aire acondicionado este empinado hacia afuera, de 3° a 4° aproximadamente, así como lo muestra el dibujo **Fig. 7**. Después de la instalación, ninguna agua condensada tiene que fluir del drenaje. Si usted mira que hay agua que gotea, verificar el ángulo empinado, y favor de hacer los ajustes necesarios. En todo caso, en días húmedos, goteras de agua salen suceder- esto es normal.

Por favor mida el ángulo empinado del filo del gabinete, como lo muestra el dibujo **Fig. 7**. La distancia H tiene que ser de 3/4 y 1 pulgadas aproximadamente.

Fig. 7



CONTROLES

VELOCIDADES DEL VENTILADOR:

- **BAJA** hará circular el aire a una velocidad mínima sin enfriamiento.
- **MEDIO** hará circular el aire a una velocidad medio sin enfriamiento.
- **ALTA** hará circular el aire a una velocidad máxima sin enfriamiento.

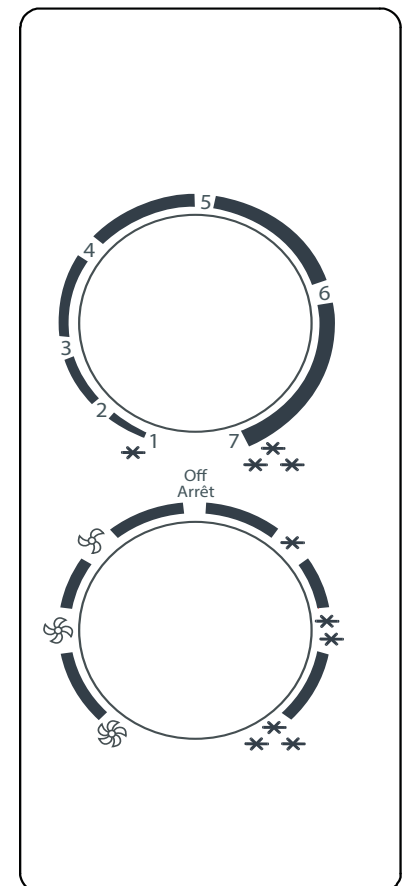
INTERRUPTOR DE SELECCIÓN: El interruptor de selección controla el modo de enfriamiento. Simplemente, gire el botón de SELECCIÓN a una de las dos configuraciones descritas a continuación.

MODOS DE ENFRIAMIENTO:

- **BAJO** * proporciona enfriamiento con mínima circulación de aire. Recomendado para uso nocturno.
- **MEDIO** * * proporciona enfriamiento con medio circulación de aire.
- **ALTO** * * * proporciona enfriamiento con máxima circulación de aire. Recomendado para enfriamiento rápido o días muy calientes. Una vez que la habitación se enfrió, reduzca la configuración a **BAJO**.
- **APAGADO** apaga la unidad completamente.

NOTA: Siempre espere 3 minutos antes de cambiar de un modo a otro.

TERMOSTATO: El termostato controla automáticamente el ciclo de enfriamiento (compresor) y mantiene la temperatura seleccionada de la habitación. Para configurar el termostato, gire la perilla del termostato a la configuración de enfriamiento deseada (1 más caliente, 7 más frío).



IMPORTANTE

Gire despacio el interruptor de selección, para que la unidad se ajuste. Al utilizar el **TERMOSTATO**, asegúrese de esperar tres minutos antes de cambiar la temperatura. Ajustar muy rápido puede causar que el compresor se sobrecargue.



IMPORTANTE

El panel de control puede no ser exactamente como se muestra. Panel puede variar dependiendo del modelo comprado.



CUIDADO Y MANTENIMIENTO

LIMPIEZA



NOTA: para evitar descargas eléctricas, apague el aire acondicionado y desconecte el enchufe antes de realizarle mantenimiento o reparación.

Al limpiar el aire acondicionado, asegúrese de girar la perilla de **SELECCIÓN** hacia la posición “**APAGADO**” y **desconecte el cable eléctrico de la toma de corriente.**

1. **NO** use gasolina, benceno, diluyente o cualquier otro producto químico para limpiar esta unidad, ya que estas sustancias pueden dañar el acabado y deformar las piezas plásticas.
2. Nunca intente limpiar la unidad vertiendo agua directamente sobre cualquiera de las superficies, ya que esto deteriorará los componentes eléctricos y el aislamiento del cableado.

FILTRO DE AIRE

Si el filtro de aire queda obstruido por el polvo, el flujo de aire se interrumpirá y se reducirá su eficiencia. El filtro de aire se debe limpiar cada 2 semanas.

EXTRACCIÓN DEL FILTRO DE AIRE:

El filtro de aire se ubica detrás de la rejilla frontal de entrada de aire. Para retirar el filtro de aire, tome la manija del filtro en la parte frontal de la rejilla y desplácelo hacia la derecha.

Para volver a instalar el filtro de aire, invierta los procedimientos anteriores. Para limpiar el filtro de aire, utilice una aspiradora o lávelo a mano con agua tibia. Séquelo completamente antes de volver a instalarlo.

CÓMO LIMPIAR EL FILTRO DE AIRE:

1. Utilice una aspiradora con un cepillo accesorio suave.
2. Lave el filtro con agua tibia por debajo de los 40 °C (104 °F). Para obtener los mejores resultados, lave con agua jabonosa o un agente de limpieza neutro.
3. Enjuague el filtro con agua limpia y séquelo completamente antes de volver a instalarlo.



IMPORTANTE

NO olvide instalar el filtro de aire. Si el aire acondicionado funciona sin el filtro de aire, no se eliminará el polvo del aire de la habitación, lo que podría provocar fallos de la máquina. Si la rejilla de entrada de aire y el gabinete están sucios, límpielos con agua tibia (por debajo de los 40 °C / 104°F). Se recomienda utilizar un detergente suave.

CUIDADO AL FINAL DE LA ESTACIÓN

1. Apague la unidad y retire el enchufe de la toma de corriente de pared.
2. Limpie el filtro.
3. Guarde el aire acondicionado (cubierto) en un lugar seco.



PRECAUCIÓN

Al instalar o retirar el aire acondicionado de la ventana, asegúrese de tomar precauciones para evitar que se caiga hacia atrás. Se recomienda solicitar asistencia para la instalación o el retiro del aire acondicionado a fin de evitar lesiones personales o daños en la unidad o en la propiedad.

DESECHADO

Revise el cumplimiento regulatorio local respecto del desechado aprobado y seguro de este aparato.



SOLUCIÓN SUGERIDA

A menudo, los problemas son sencillos y no es necesario hacer una llamada de reparación, use esta guía de resolución de problemas para encontrar una posible solución. Si la unidad sigue funcionando mal, llame a los números gratuitos de un centro Danby de servicio autorizado.

Tel: 1-800-26-Danby® (1-800-263-2629)

PROBLEMA	POSIBLE CAUSA	SOLUCIÓN
El aire acondicionado no funciona.	<ul style="list-style-type: none"> La unidad no recibe energía eléctrica. 	<ul style="list-style-type: none"> Verifique que el cable eléctrico esté conectado a la fuente de energía. Revise los fusibles o el disyuntor del hogar. Coloque el INTERRUPTOR DE SELECCIÓN en una posición distinta a "APAGADO". El botón "RESTABLECER" del cable eléctrico siempre debe estar presionado (trabado) para que funcione correctamente.
Es ineficiente o no enfría.	<ul style="list-style-type: none"> El filtro de aire está sucio. El tamaño de la unidad no es apropiado para la aplicación. El flujo de aire está bloqueado. Se produjo un corte eléctrico, se modificó la configuración demasiado rápido o se excedió la sobrecarga del compresor. 	<ul style="list-style-type: none"> Limpie/reemplace el filtro de aire. Verifique con el distribuidor para determinar la capacidad de la unidad que sea apropiada para la aplicación. Elimine las obstrucciones de la rejilla o de las persianas de ventilación exterior. Apague la unidad y espere 5 minutos antes de intentar reiniciarla.
La unidad produce ruidos.	<ul style="list-style-type: none"> Las piezas están sueltas. El soporte no es adecuado. 	<ul style="list-style-type: none"> Ajuste las piezas sueltas. Coloque un soporte adicional en la unidad.
Hay olores en la unidad.	<ul style="list-style-type: none"> Hay formación de moho, mildiú o algas en las superficies húmedas. 	<ul style="list-style-type: none"> Limpie la unidad completamente. Coloque una tableta alguicida en la bandeja de la base.
Se chorrea agua afuera.	<ul style="list-style-type: none"> El clima es cálido y húmedo. 	<ul style="list-style-type: none"> La salida de la condensación funciona de manera normal bajo estas condiciones.
Se chorrea agua adentro.	<ul style="list-style-type: none"> La unidad no está colocada en el ángulo correcto para permitir que el agua drene hacia afuera. Es un día extremadamente húmedo. 	<ul style="list-style-type: none"> La unidad se debe instalar en ángulo para que la condensación salga correctamente. Revise la unidad y haga los ajustes necesarios. Este efecto es normal en días extremadamente húmedos. No se requiere ninguna acción.
Hay acumulación de hielo o escarcha.	<ul style="list-style-type: none"> La temperatura exterior es baja. El filtro de aire de la unidad está sucio. 	<ul style="list-style-type: none"> Cuando la temperatura en exteriores es aproximadamente de 18.3 °C (65 °F) o menor, puede producirse la formación de escarcha si la unidad esta en modo de refrigeración. Retire el filtro y límpielo.

NOTAS:

- Si el disyuntor se desconecta continuamente o el fusible se quema más de una vez, comuníquese con un técnico calificado.
- Si instala la unidad siguiendo los pasos de instalación apropiados, la unidad se debe inclinar apropiadamente hacia el exterior para permitir la salida de la condensación.

GARANTÍA LIMITADA PARA ELECTRODOMÉSTICO

Este producto de calidad está garantizado contra defectos de fabricación, incluyendo partes y mano de obra, siempre y cuando la unidad se utilice bajo las condiciones normales de funcionamiento para las que fue diseñado.

Esta garantía está solamente disponible para la persona que haya comprado originalmente esta unidad directamente de Danby Products Limited (Canada) o Danby Products Inc. (U.S.A.) (en adelante "Danby") o uno de sus distribuidores autorizados, y no es transferible.

CONDICIONES DE LA GARANTÍA

Las piezas plásticas, se autorizan por treinta (30) días solamente a partir de la fecha de la compra, sin las extensiones proporcionadas.

Primeros 12 meses Durante los primeros 12 meses, cualquier parte en buen estado de este producto que resulte defectuosa, incluyendo cualquier sistema sellado, será reparado o reemplazado, a opción del fabricante, sin cargo para el comprador ORIGINAL.

Para obtener servicio Danby se reserva el derecho de limitar la cobertura de "Servicio en Domicilio" sujeto a la proximidad de un Taller de Servicio Autorizado. Para todo artefacto que requiera servicio fuera del área limitada de "Servicio en Domicilio", el cliente será responsable por transportar dicho artefacto hasta el Taller de Servicio Autorizado más cercano. Consulte "Límites del servicio técnico a domicilio", a continuación. Comuníquese con el distribuidor donde haya comprado la unidad, o llame al Taller de Servicio Autorizado más cercano, donde debe ser reparada por un técnico calificado. Si esta unidad es reparada en otro lugar que no sea un Taller de Servicio Autorizado, o si la unidad se utiliza para aplicaciones comerciales, Danby no se hará responsable de ninguna forma y la garantía será anulada.

Límites del servicio técnico a domicilio Si el electrodoméstico está instalado en un lugar que se encuentra a 100 kilómetros (62 millas) o más del centro de servicios más cercano, se debe llevar la unidad al Centro de servicios Danby autorizado más cercano, ya que dicho servicio sólo puede realizarlo un técnico calificado y certificado por Danby para prestar servicios de garantía. Los cargos por transporte desde y hacia el lugar en que se efectúe el servicio técnico no están cubiertos por esta garantía y son de responsabilidad del comprador.

Nada dentro de esta garantía implica que Danby será responsable por cualquier daño que hayan sufrido los alimentos u otros contenidos de este aparato, ya sea debido a un defecto del aparato, o su uso, adecuado o inadecuado.

EXCLUSIONES

Salvo lo aquí indicado por Danby, no existen otras garantías, condiciones o representaciones, explícitas o implícitas, concretas o intencionales por parte de Danby o sus distribuidores autorizados y todas las demás garantías, condiciones o representaciones, incluyendo cualquier garantía, condiciones o representaciones bajo cualquier Acta de Venta de Productos o legislación o estatuto similar, quedan de esta forma expresamente excluidas. Salvo lo aquí indicado, Danby no serán responsables por ningún daño a personas o bienes, incluyendo la propia unidad, sin importar su causa, o de ningún daño indirecto causado por el desperfecto de la unidad, y al comprar esta unidad, el comprador acepta por la presente, indemnizar y proteger a Danby contra cualquier reclamo por daños a personas o bienes causados por la unidad.

CONDICIONES GENERALES

No se considerará ninguna de estas garantías o seguros cuando el daño o la necesidad de reparación sea el producto de los siguientes casos:

- 1) Falla del suministro eléctrico.
- 2) Daños en tránsito o durante el transporte de la unidad.
- 3) Alimentación incorrecta, como bajo voltaje, instalación eléctrica defectuosa o fusibles inadecuados.
- 4) Accidente, modificación, abuso o uso incorrecto del artefacto, tal como insuficiente ventilación del ambiente o condiciones de operación anormales (temperatura ambiente extremadamente alta o baja).
- 5) Utilización comercial o industrial (v.g., si el electrodoméstico no está instalado en una vivienda particular).
- 6) Incendio, daños por agua, robo, guerra, disturbios, hostilidades, actos de fuerza mayor como huracanes, inundaciones, etc.
- 7) Pedidos de servicio debido a desinformación del usuario.
- 8) Instalación inadecuada (v.g., instalación empotrada de un electrodoméstico diseñado como unidad independiente o uso de un electrodoméstico al aire libre que no esté aprobado para dicho fin).

Para acceder a la garantía se solicitará un comprobante de compra; por lo tanto, guarde su recibo. En caso de necesitar servicio de garantía, presente ese documento al TALLER DE SERVICIO AUTORIZADO.

Servicio de Garantía
Servicio en Domicilio

Danby Products Limited
PO Box 1778, Guelph, Ontario, Canada N1H 6Z9
Telephone: (519) 837-0920 FAX: (519) 837-0449

1-800-263-2629
07/13

Danby Products Inc.
PO Box 669, Findlay, Ohio, U.S.A. 45840
Telephone: (419) 425-8627 FAX: (419) 425-8629



AIR CONDITIONER

All repair parts are available for purchase or special order when you visit your nearest service depot. To request service and/or the location of the service depot nearest you, call the TOLL FREE number.

When requesting service or ordering parts, always provide the following information:

- Product Type
- Model Number
- Part Number
- Part Description

AIRE ACONDICIONADO

Todas las piezas de reparación disponibles para la compra o la orden especial cuando usted visita su depósito más cercano del servicio. Para pedir servicio y/o la localización del depósito del servicio lo más cerca posible usted, llame Danby gratis.

Al pedir servicio o pidiendo piezas, proporcione siempre la información siguiente:

- Tipo de producto
- Número de modelo
- Número de pieza
- Descripción de la parte

CLIMATISEUR

Toutes les pièces de rechange ou commandes spéciales sont disponibles à votre centre de service régional autorisé. Pour obtenir le service et/ou la localité de votre centre de service régional, signalez le NUMÉRO D'APPEL SANS FRAIS.

Ayez les renseignements suivants à la portée de la main lors de la commande de pièce ou service:

- Type de produit
- Numéro de modèle
- Numéro de pièce
- Description de la pièce



MODEL • MODÈLE • MODELO
DAC080BAUWDB