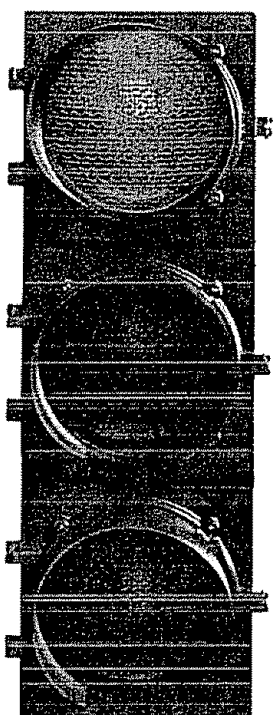


**Model MJ 9200D**  
**Vented Separate/Stacking Dryer**

**Owners Manual**

Revision Date 11/1/03



## Important Safety Instructions

**WARNING-** To reduce the risk of fire, electric shocks, or injury to persons when using your appliance, follow the basic precautions, including the following:

1. Read all instructions before using the appliance.
2. Do not dry articles that have been previously cleaned in, washed in, or spotted with gasoline, dry-cleaning solvents, or other flammable and explosive substances such as solvents.
3. Do not add gasoline, dry-cleaning solvents or other flammable or explosive substances to the wash water. These substances give off vapors that could ignite or explode when drying.
4. Under certain washing conditions, hydrogen gas may be produced in a hot water system that has not been used for 2 weeks or more. If this is the case, before using your washing machine, turn on all hot water faucets and let the water flow from each faucet for several minutes. This will release any accumulated hydrogen gas. Do not smoke or use an open flame during this time.
5. Do not allow children to play on or in the appliance. Close supervision of children is necessary when the appliance is in use.
6. Before the appliance is removed from service or discarded, remove the door.
7. Do not reach into the appliance if the tub or agitator is moving.
8. Do not install or store this appliance where it will be exposed to the weather.
9. Do not tamper with controls.
10. Do not repair or replace any part of the appliance or attempt any servicing unless specifically recommended in the user-maintenance instructions or in published user-repair manual. Also make sure that you understand the instructions completely and have the skills to carry them out.
11. Do not use heat to dry articles containing foam, rubber or similarly textured rubber-like materials.
12. Keep area around the exhaust opening and adjacent surrounding areas free from the accumulation of lint, dust and dirt.
13. The interior of the appliance and exhaust duct should be cleaned periodically by qualified service personnel.
14. Do not place items exposed to cooking oils in your dryer. Items contaminated with cooking oils may contribute to a chemical reaction that could cause a load to catch fire.
15. This appliance must be grounded. Refer to the **INSTALLATION INSTRUCTIONS** for grounding details.

**SAVE THESE INSTRUCTIONS**

# Welcome !



Congratulations. Welcome to the growing family of Majestic™ Appliance owners. By choosing a Majestic Appliances model as your laundry appliance you not only found the best in reliable technology, but above all you have found a faithful and untiring convenience appliance.

Your machine is strong, reliable and long lasting. All those qualities which have made the Majestic™ trademark famous the world over.

Above all, Majestic products are easy to use. Read this owner's manual carefully since it contains all the instruction for safe installation, use and maintenance. Remember to keep your owner's manual in a safe place so that you can refer to it whenever you need to.

For addition information and contact with the our staff, we invite you to visit our web site.

<http://www.MajesticAppliances.com>

**(Please Register your appliance, on our web site or by returning your registration card via mail and receive a complimentary VHS tape, "Introduction to Majestic")**

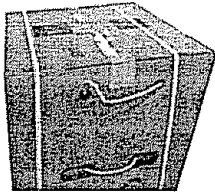
We offer a wide range of appliance products, some of which might suit your needs. We also offer our revolutionary MajesticAppliances.TV (<http://www.majesticappliances.tv>)web option, where you can view orientation and service movies on the web as well as comments from other users and frequently asked questions. Welcome to our Family!



# Table of Contents

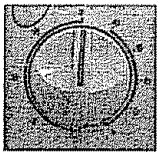
## Instant help

### Page 5 **Getting things ready to install your appliance**



Unpacking, Inspecting, Electricity, Closets/Alcoves, Plumbing, Venting

### Page 8 **Selecting dry cycles**



Drying Controls, Cottons, Synthetics/Delicates, Wool

### Page 9 **Troubleshooting**



Washing, Drying, Vibration, Optimizing dry time, wrinkles, draining

### Page 10 **Maintenance tips**



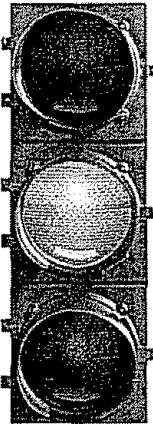
Water, exterior, interior, winterizing, detergent, pump, technical specifications, Obtaining Service

### Page 11 **Warranty Information**

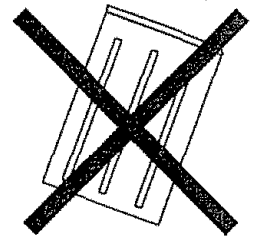
Registering your appliance via the internet, Extended Warranty options, ordering maintenance manuals

# Installing/Removing Getting things ready to install your appliance

## Unpacking, Inspecting, Electricity, Closets/Alcoves, Plumbing, Venting Unpacking

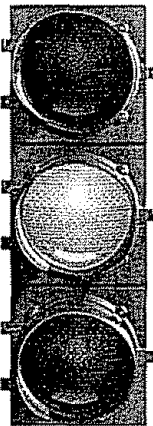


- Check the packing box for external damage. It is your responsibility to register any damage with the freight company delivering the product.
- Remove the strapping, then slide the cardboard surround off the machine. Remove the foam protecting material and the plastic bag.
- Write down the serial number from the box or the back of the machine.
- Destroy the carton, plastic bags and foam parts after appliance has been unpacked.
- Children should never be left alone or unattended in the area where appliances are being unpacked.
- If you have any doubts, do not use the appliance and call a qualified technician.



**WARNING :**  
OWNER RESPONSIBLE FOR DAMAGE RESULTING FROM TIPPING MACHINE AFTER REMOVING SHIPPING BOLTS. AVOID TIPPING MACHINE FORWARD AFTER SHIPPING BOLTS ARE REMOVED.

## Inspecting WHEN TO REMOVE SHIPPING BOLTS!



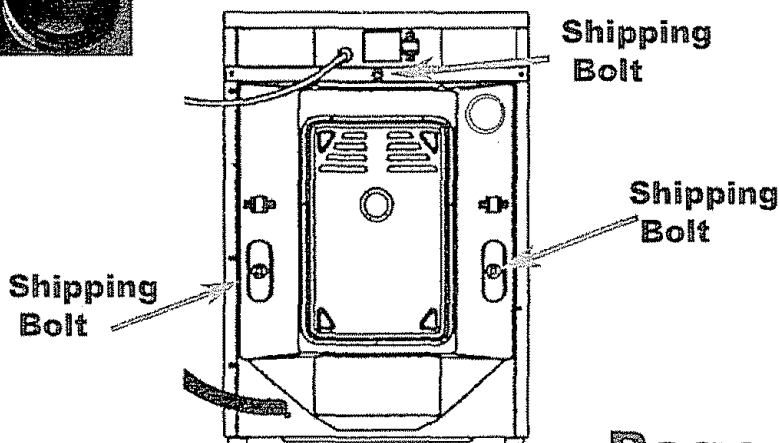
**WARNING!!! TIPPING THE MACHINE TO POSITION IT FOR USE MUST BE DONE WITH THE SHIPPING BOLTS STILL IN THE MACHINE! TIPPING THE MACHINE WITHOUT SHIPPING BOLTS, CAN CAUSE THE INNER DRUM TO IMPACT OTHER INTERNAL PARTS, THUS DAMAGING THEM. POSITION THE MACHINE AS CLOSE AS POSSIBLE TO IT'S FINAL POSITION AND THEN REMOVE SHIPPING BOLTS.**

INSPECT CONTENTS

Owners Manual

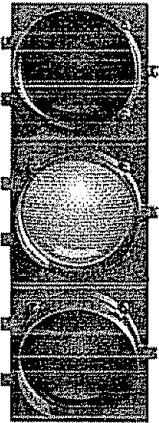
Warranty Registration Card

Majestic Literature



# Installing/Removing Getting things ready to install your appliance (continued)

## Electricity



Make sure the voltage and frequency available correspond with the values stated on the data plate located at the back of the machine and that the electric system is dimensioned to withstand the maximum current shown on the data plate. If the socket the machine is connected to does not correspond with the plug, replace the outlet with a suitable one and avoid using adapters or shunts since they could cause over heating and burn out.

### Grounding

This appliance must be grounded. In the event of malfunction or breakdown, grounding will reduce the risk of electric shock by providing a path of least resistance for electric current. This appliance is equipped with a cord having an equipment-grounding conductor and a grounding plug. The plug must be plugged into an appropriate outlet that is properly installed and grounded in accordance with all local codes and ordinances.

**WARNING-** Improper connection of the equipment-grounding conductor can result in a risk of electric shock. Check with a qualified or service representative or personnel if you are in doubt as to whether the appliance is properly grounded.

Do not modify the plug provided with the appliance: if it will not fit the outlet, have a proper outlet installed by a qualified electrician.

### Electrical Specifications:

Voltage/Amperage - 115V DC, 12 Amp, 60 Hz 3 Prong plug attached to the appliance in the factory

Circuit/Protection - 3 wires single phase, 120V, 60 Hz, AC separate 15 or 20 amp circuit or greater.

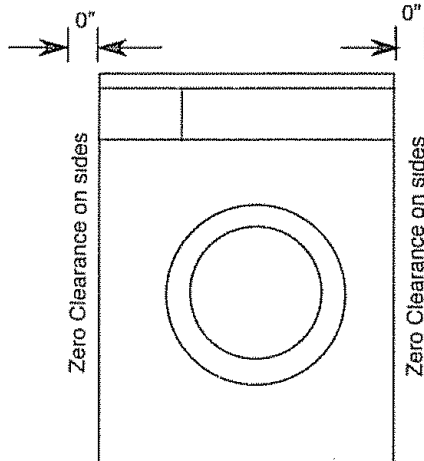
## Recessed, Closet and Alcove Installations



This appliance may be installed in a recessed area, closet or alcove. All measurements are in inches.

- If the appliance is to be installed in a closet with zero clearance on the sides of the appliance, a total of 12 square inches of free air space movement to the back of the unit must be allowed into the closet.
- If a door is to be installed that potentially encloses the unit while running, the door must allow for a minimum of 20 square inches of free air movement. There must also be a 1" space from the front of the unit to the closed door and 1" from the back of the unit to the wall. Additional spacing should be considered for easy installation, servicing, removal and compliance with applicable local, state and federal codes.
- The floor must be able to support at least 280 lbs and a surface that is solid and level.
- Installations in RV's or Marine pleasure craft suggest that the machine might best be installed midships in the boat, or over the axles of the RV where movement is at a minimum.

Adequate blocking should prevent extreme movement when installed in an RV or Marine pleasure craft.



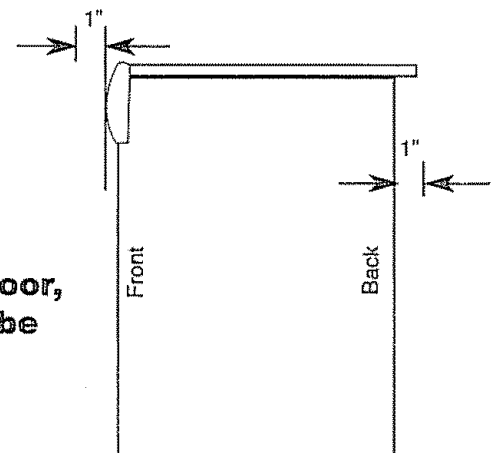
Front View (Recessed)

**If the appliance is to be installed in a closet, the installation must be completed by a qualified person or service representative.**

**Additional clearances for floor, wall or door moldings may be required.**

## Page 5

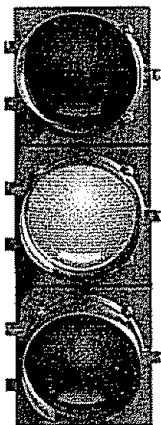
©2003 Manufacturers Supply, Inc



Side View (Recessed)

# Installing/Removing Getting things ready to install your appliance (continued)

## Alternate Installations



### Stacking Installations

- When installing the appliance in a configuration where washers and dryers are stacked vertically, there are several methods that have proven successful

#### Clearance Considerations -

- Option 1 – 3 inch clearance all around the machine. Which allows for adequate air flow for the dryer
- Option 2 – If zero clearance on the sides then installer must allow for a minimum of 1 inch at the rear of the unit and a minimum of 1 inch clear space on the top of the dryer to allow for air movement to the back of the dryer. In addition, in an enclosed installation installer must provide a air intake area of no less than 12 sq. in. of un-obstructed free air space through the door, around the units to the back of the dryer to allow for adequate air intake. Otherwise installer must apply a label that instructs the user that the dryer cannot be operated with the door closed

**Duct hose length:** A maximum of 12 inches of 4 inch flex hose can be used to vent the dryer

**Electrical Hookups:** Each machine must have it's own 15 amp circuit in order to run the Washer and Dryer simultaneously

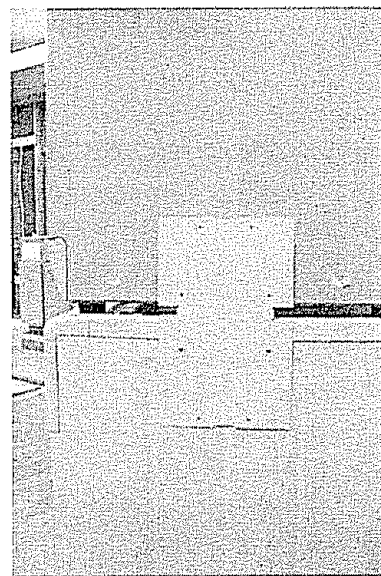
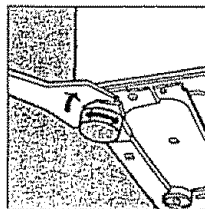
**Stacking Installation:** Option 1 - Although we recommend the use of the Majestic Stacking Brackets (Model 17-1057) alternative mounting bracketry may be used if bracket configuration is approved by Majestic Appliances. Instructions are included with the mounting brackets as to their application. Majestic brackets ensure that no wiring or hoses are impacted by the installation

Option 2 - Mount the dryer on its own shelf, utilizing the same guidelines as if it were mounted on a floor. (See page 6.)

If you have any other unique needs do not hesitate to call us on our toll-free number and we will assist you.

### CORRECT LEVELING OF UNIT IS ESSENTIAL.

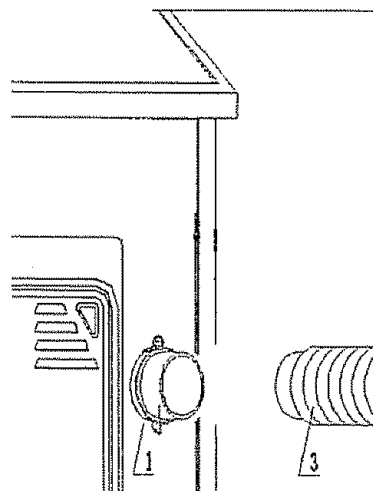
It is important for the machine to be perfectly level. The angle of inclination on the work surface must not be more than 2 degrees. For this reason the machine is fitted with adjustable feet used for leveling the machine before use. In the case of carpeted flooring, remember to check that the ventilation in the support area is not plugged



### Exhaust Duct Installation

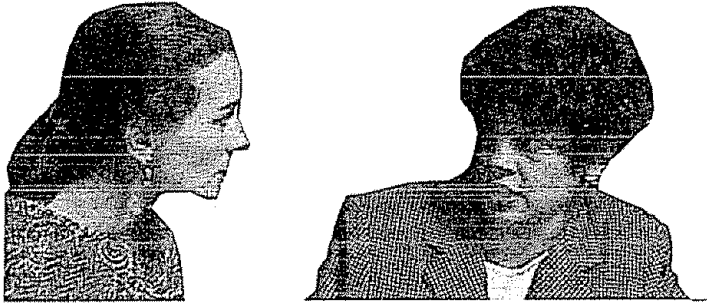
- Check that all ducting is lint free, clean with duct tape to secure all joints. A maximum of 12 inches of 4 inch flex hose can be used to vent the dryer
- The exhaust duct must end with an approved exhaust vent hood with swing out dampers or appropriate louvers
- Flex or rigid metallic ducting is recommended.
- Exhaust duct should be short and straight and slope downwards and away from the appliance. Long exhaust duct runs can increase drying time, collect lint and may increase drying times

**IMPORTANT! THE EXHAUST DUCT SHOULD NOT BE INSERTED INTO A CHIMNEY, WALL, CEILING OR CONCEALED SPACE OF STRUCTURE**



# Drying The Dryer Timer

Drying Controls, Cottons, Synthetics/Delicates, Wool

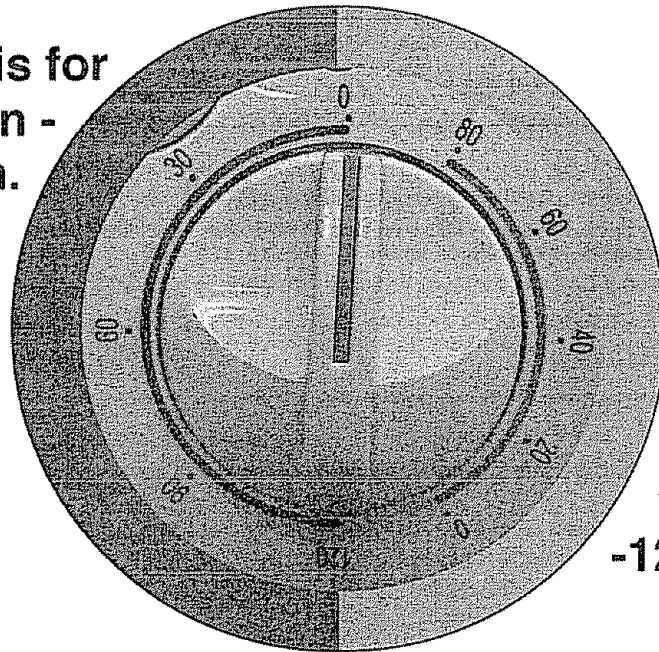


## Drying Controls

### Drying Automatically

If you are drying cottons (blue) or synthetics (Green), the dryer needs to be set using the appropriate drying setting. Remember that the temperature for cottons (blue) is higher than the temperature for synthetics (green). If you desire a cooler temperature for cottons (blue) you can use the (green) synthetic cycle.

Blue is for  
Cotton -  
120 min.



Green is  
for Synthetics  
-120 min.

## You are in control of the drying cycle

Generally, cottons require more drying time than synthetics. You will notice that the cotton dry cycle offers up to 120 minutes of drying. Normally cotton shirts take less time than denim jeans. You will have to experiment a little to determine what dry times work for you.

### Size of drying load

With the correct load size, the Majestic™ MJ9200D dries very efficiently. If the load is made up of heavy and dense fabrics, you may need to split the wash into two loads. After the first load is complete, turn off the power, reset the dryer timer and turn the power button on again.

### Caution:

For your safety, the door lock stays engaged for the duration of the dry cycle. If you want to open the door, you must turn off the power and wait 1 minute, before opening the door.

# Drying Selecting Dry Cycles

## Drying Controls, Cottons, Synthetics/Delicates, Wool

### How to select the correct drying function?

#### 1. Make sure the weight or volume of clothes is correct.

The maximum load your dryer machine can dry depends on the type of fabrics in the load. Use the following table for a guide:

- Heavy Cotton - maximum load 8-10 lbs.
- Light Cotton - Maximum load 6-8 lbs.
- Synthetic fabrics - maximum load 6-8 lbs.

#### 2. Selecting the correct drying time

Your dryer has two different drying temperatures to guarantee the best drying results. Please see the correct drying times, using the color code provided as shown at the picture on the page 8. Blue is for heavy or cotton fabrics and provides the warmest drying temperatures. Green is for some cottons and delicate or synthetic fabrics and provides a lower drying temperature.

The best drying time depends on the amount of laundry to be dried and the fabric type. In many cases, you will have to experiment to find the correct drying cycle for your needs. However the chart below provides initial guidelines. These times are only approximate and are most often exceeded in actual experience.

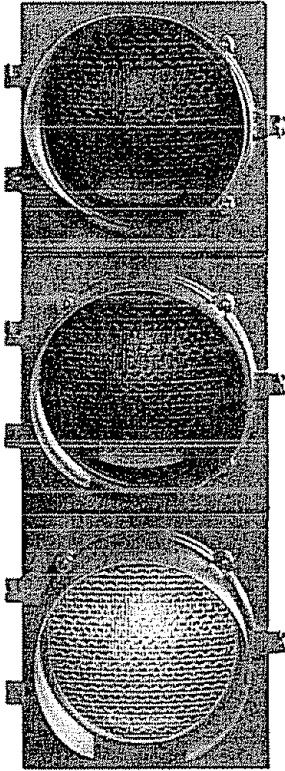
Fabric	Load	Max Load	Dryer Knob Setting	Drying Time (approx. min.)
Heavy Cotton	Laundry of different size	8-10 lbs	Blue	60-90
Heavy Cotton	Terry Cloth	8-10	Blue	70-80
Light Cotton	Sheets and Shirts	6-8	Blue	60-70
Synthetics	Pajamas, Socks, etc	6-8	Green	60-70
Nylon	Underwear, Stockings, etc	6-8	Green	50-70

#### 3. Operating the dryer timer:

Select the drying time by rotating the timer knob to the number of minutes and the correct dryer temperature. NOTE: Woolens cannot be dried without the potential of permanently shrinking the garment.

# Troubleshooting tips

## Read here, then call us



Even though your dryer has been carefully designed and constructed, something may still go amiss with your machine. Before rushing to technician, please check that the operations listed below have been carried out. In many cases you will save time, money and a bother. Our statistics show that many calls made to our service representatives could have been solved with a little more attentions to these basic operations.

### **The dryer won't start**

Check that:

- the plug is pushed into the main outlet
- the dryer door is closed tight
- the ON/OFF button has been pressed

### **The dryer vibrates too much when spinning**

Check that:

- the shipping bolts have been removed (see installation manual)
- the machine is level
- the drying load is according to the instructions given in this booklet

### **The washer dryer is not drying**

Check that:

- the plug is fitted firmly into the main socket
- the door is properly closed
- the wash program knob is in position \*
- the drying time knob is not in position 0.
- Use the cotton (blue) hotter cycle with cotton fabrics, and use synthetic (green) cooler cycle for synthetic fabrics.

### **Wrinkling**

Check that:

- avoid mixing heavy fabrics with light fabrics
- Load your dryer to allow for enough room for clothes to tumble
- Make sure you are not using the cotton drying cycle with synthetic clothes
- the recommendations for the maximum loads and drying times have been followed

# Owner Care Maintenance Tips

exterior, interior, ducts, technical specifications

## Exterior

Keeping the exterior of the unit clean will preserve the value of your investment. Use a soft cloth and liquid cleanser to clean and maintain the exterior.

## Interior

Do not use solvents to clean the machine.

## Ducts

Ducting for exhaust performs best when it is as short and straight as possible. It is also advisable to have ducting slope downward and away from the machine.

The exhaust duct must end with an approved exhaust vent hood with a swing out damper or effective use of louvers. Check that all ducting is clean and lint free. Check duct tape utilized during installation and or screw clamps to ensure each joint is secure.

## Technical Specifications

Model	MJ9200D
Dryer Input Power	1200 W
Rated Volts	110V-120/60Hz
Drying capacity	6-10 lbs depending on the fabric.
Outside dimensions H x W x D	33 1/4 x 23 3/8 x 22 inches
Weight	52 kg (115 lbs)

## Getting Service



MAJESTIC™ has hundreds of service agents all over the country. Call us on our toll free hotline (1-800-678-8002) and we will serve your needs. Remember that if your service call is the result of component failure we will be happy to cover it under your warranty. If it is not, you will be charged for the time and travel. Our service center is available Monday through Friday from 8:00 am to 5:00 p.m.. You will find our technicians helpful, knowledgeable and friendly.

What if you need help on weekends? Majestic™ appliances has a web site with tons of helpful information, including “Service knowledge on demand™”. You can watch a movie to assist in trouble shooting your problem and making the repair. No other company offers such complete service.

## Owner Care

# Warranty Information

**Your Majestic™ appliance is covered by this warranty under normal personal, family, household or RV use in the US and Canada**

## Warranty

Your Majestic™ Appliance is warranty for 1 full year from the original purchase on the mechanical parts only when installed in accordance with the instructions in the manual. It is the option of the factory to replace or repair any part which become defective in workmanship or material under normal personal, family or household use.

During this one year, Majestic™ Appliance will provide all labor and parts necessary to repair any defect as long as the appliance has been installed and operated in according with the instructions provided. In the case of a tight installation, including RV's or Marine pleasure craft, providing ready access to the appliance is the responsibility of the owner.

In no event, shall Majestic™ Appliances or its parent company, be liable for incidental or consequential damages or for damages resulting from external causes such as abuse, misuse, incorrect voltage or acts of God. This warranty does not cover service calls which do not involve defective workmanship, incorrect installation procedures or materials not provided by Majestic™ appliances. Therefore, service calls, diagnosis, and repair costs for a service call which does not involve defective workmanship or materials will be the responsibility of the consumer/owner. This might include but is not restricted to, improper hookup or leveling, cleaning air and/or water filters, replacing broken door handles, or excessive movement caused by travel, recreation or installation.

Being fair, most work is covered. If the machine has malfunctioned Majestic™ covers it or if the installer/consumer has omitted or done something to cause the machine to malfunction, they cover it.

You can call us toll free at 1-800-678-8002 for service. Our address is

MSI/Majestic Appliances  
2500 Columbia House Blvd.  
Vancouver, WA 98661

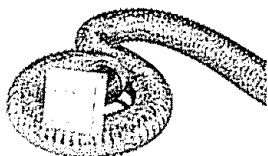
## Extended Warranty Information

Contact us at our office for up-to-date information on extended warranty costs. You can obtain an additional warranty for 1, 3 or 5 years through our exclusive warranty agreement. To be eligible for this warranty you must use the machine for personal use, not in a commercial application, purchase the coverage, register the contract and received your contract number or certificate. The unit must be registered with our warranty agency and have a contract number issued within the first year of ownership, to the original owner, or this offer is void.

## Owner Care

# Accessories

You have a broad selection of installation and owner accessories available. Just ask your local dealer or give us a call.



**PN 17-1051 Dryer Vent Kit includes:**  
Louvered Vent Hood  
Pipe and Collar  
UL Listed Transition Duct  
(2) Clamps

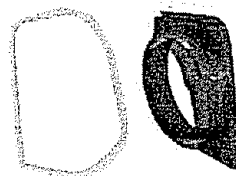


**PN 17-1054 Deluxe Chrome Outside Vent**  
Die Cast ZAMAK with chrome finish  
Black polypropylene flange  
4" hose adapter  
Predrilled for #8 screws  
Dimensions-- 5.25" tall x 5.8" wide x 2.25" deep  
UV Inhibitor added

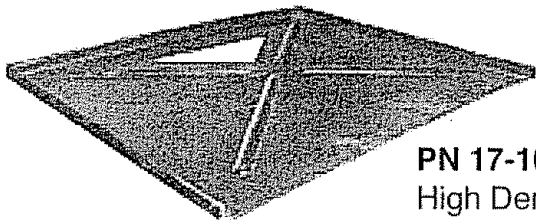
**PN 17-1052 Econo Outside Vent**  
Calcium Filled Polypropylene  
Melting Point 325 degrees approx.  
UV Inhibitor added  
Opens with ease for maximum exhaust flow  
Curved Louvers for quieter operation  
Durable Weather Resistant  
Dimensions --- 6" wide x 6" tall x 5/8" flange depth  
Free Air--4" diameter = 19.5 square inches



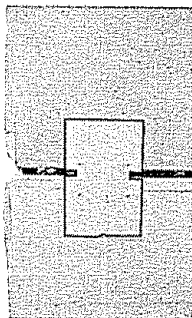
**PN 17-1055 Deluxe Flush Mount Outside Vent**  
Paintable/Chromable ABS  
Melting Point 325 degrees approx.  
UV Inhibitor added



**PN 17-1053 White Deluxe Outside Vent**  
Paintable ABS  
Melting Point 325 degrees approx.  
UV Inhibitor added  
Easy Installation  
Rubber Flap quiet when traveling  
Durable Weather Resistant  
Dimensions --- 5.25" wide x 6" tall x 2.25" deep  
Free Air--4" diameter = 19.5 square inches



**PN 17-1056 Drip Pan**  
High Density ABS



**PN 17-1050 Stackable Attaching Kit**  
Parts for stacking the Washer and Dryer Separates



This page left intentionally blank

This page left intentionally blank

-Notes-



©2003 Manufacturers Supply, Inc

