

Thank you very much for purchasing WIFI version curtain switch controller series product produced by our company, in order to make our products serve better for your life, please read this manual carefully before using, and keep it for future reference.

1、specification:

Applicable products: incandescent, energy saving lamps, fluorescent lamps, LED lamps and other lighting

Operating voltage: AC100 - 240V, 50 / 60HZ

Load power: $\leq 1000W$ / Road

Standby power consumption: ≤ 0.5 W

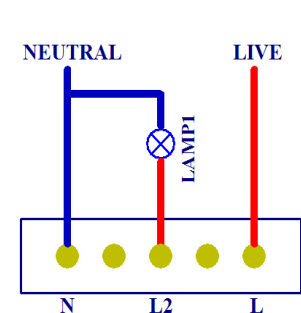
Working temperature: 0 °C ~ 80 °C

Relative humidity: 10% to 93% (non-condensing)

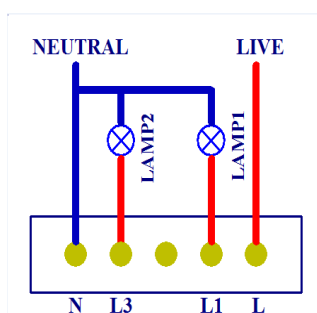
Control: Touch, a mobile control

Wiring method: zero, FireWire

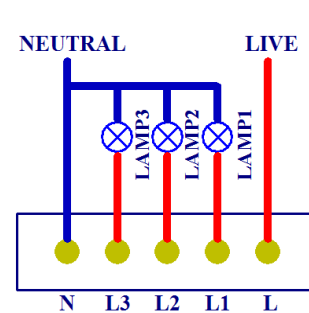
2、the wiring diagram:



A switch wiring diagram



2switch wiring diagram



3 switch wiring diagram

3、the manual operation:



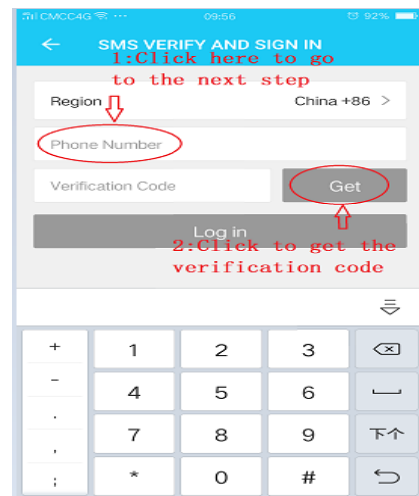
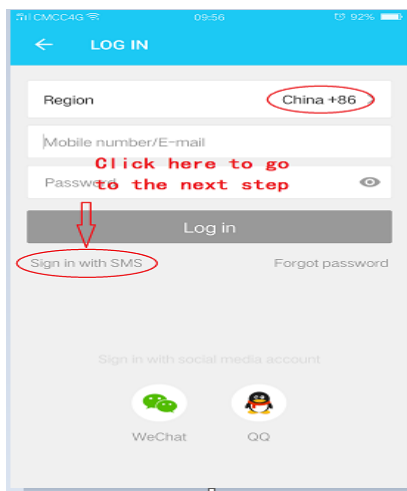
①sweep on the switch panel, The key indicator light is blue, then the switch is off (that is, turn off); button indicator light is red, then the switch is closed (that is, turn on the lights)。

4、the mobile operating: (divided into local and remote control modes when the phone and the switch in the same network as the wireless LAN control when the phone network operators outside the network, compared with remote control NOTE: When you add a device need to use the phone through wireless router network)

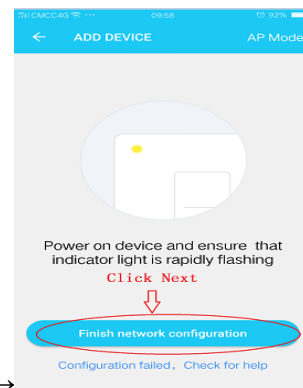
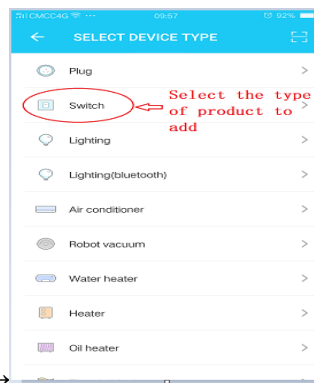
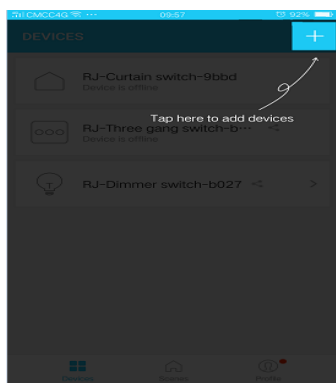
①Install mobile APP (search keyword: "intelligent life" or sweep



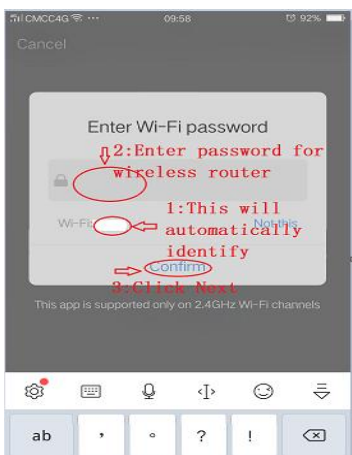
②mobile phone register (as shown)



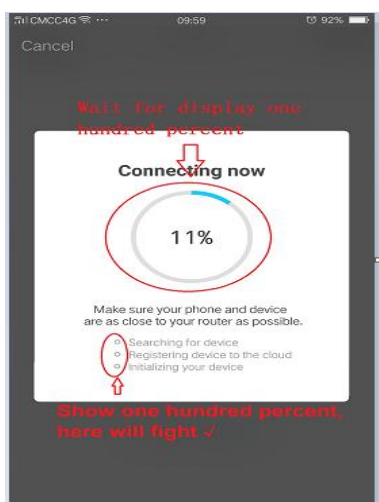
③add the switch device (as shown) the switch required normal power)



④set up the work WIFI for device (as shown)



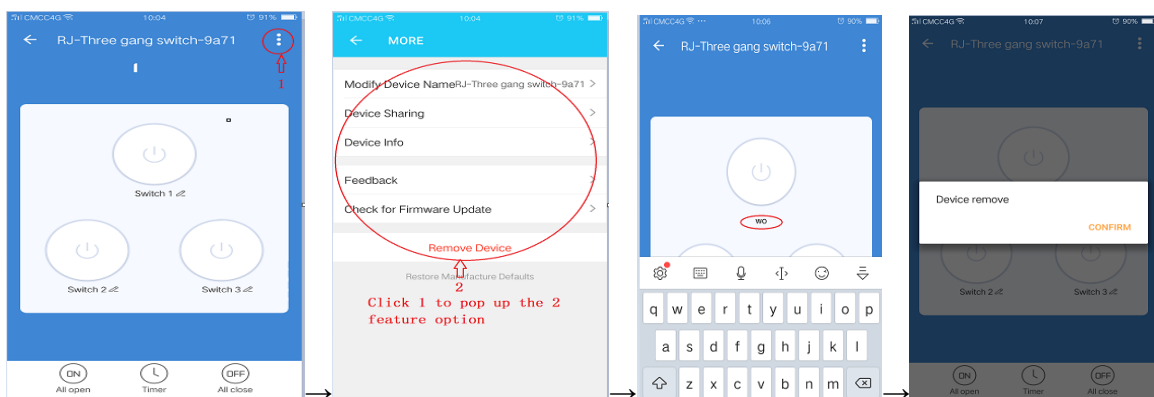
⑤ automatically added process (as shown)



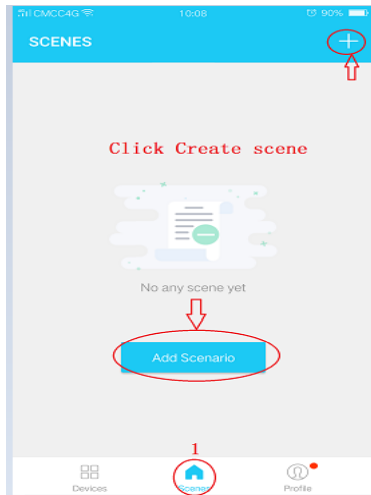
⑥ successfully completed the above steps to add the product to operate

⑦ other functions

a) naming device, removed (as shown)



b) scenes Editing (as shown)



5、manually reset the device

①Reset light switch , light curtain controller and other equipments

- O Press any key of the device for 15 seconds until light flashes indicating a successful reset;
- O indicator light flash quickly (flash 2 times every second) indicating fast mode;
- O indicator light flash slowly (1 flash every 3 seconds) indicating hotspot mode;
- O under fast mode, press any device key for 15 seconds until the indicator flashes slowly, indicating it has switched to focus mode; and vice versa.

②Reset the dimmer switch

- O In the dimmer switch off long press down key for 15 seconds until light flashes, indicating a successful reset;
- O indicator lights flash quickly (2 times flash every second) indicating fast mode;
- O indicator lights flash slowly (1 flash every 3 seconds) indicating hotspot mode;
- O under fast mode, press and hold down the device key for 15 seconds until the indicator flashes slowly, indicating that it has switched to focus mode; and vice versa.

6、the light switch accessories:

light switch Instructions 1 piece

Warranty card 1 piece

the screws 2 pieces

The above accessories are subject to change without prior notice. If you have any questions, please contact your local dealer or contact us