

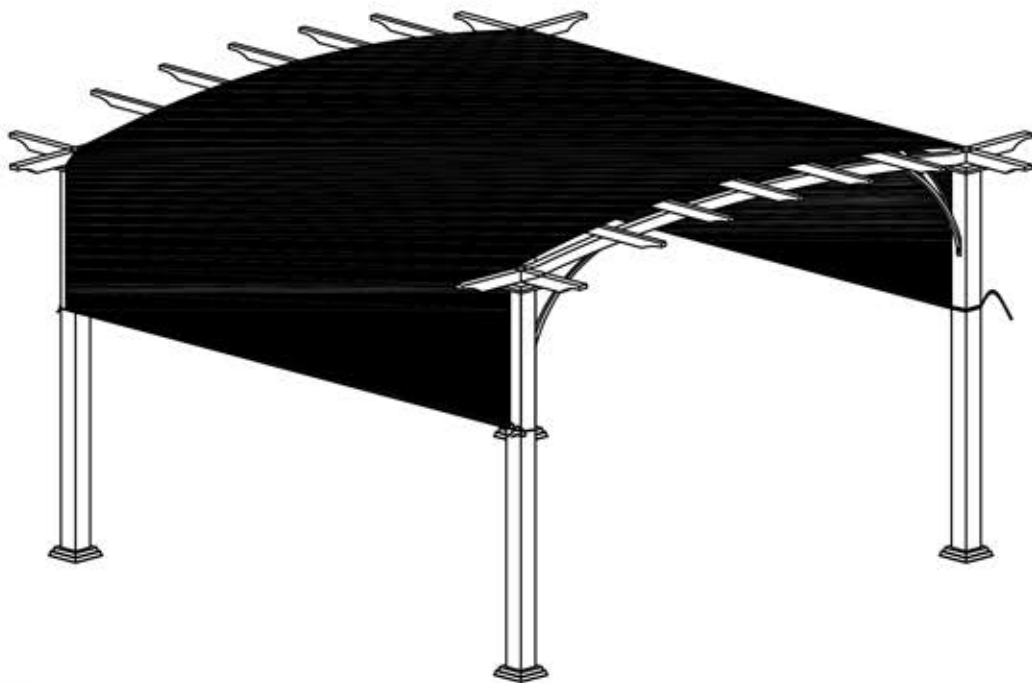


# Deluxe Two-Tone Arched Garden Pergola

**Patent Pending**

**UPC:906998**

**SKU:2721770**



## SAFETY INFORMATION

Please read and understand this entire manual before attempting to assemble, operate or install the product. If any parts are missing or damaged, do not attempt to assemble the product.

Two to four people are needed for assembly.

In order to avoid damage to the shelter and its components, use appropriate tools. Do not use the structure as a support.

Check all screws on a regular basis to maintain the solidity of the structure.

Keep instructions and parts list for further use.

Estimated Assembly time: Approximately 2.5 hours

Tools required for Assembly (not included): Ladder, at least 5 feet in height

## CAUTION

Remove canopy when not in use. Do not leave outside during winds, rain or snow.

## WARRANTY

1-year limited warranty

Limited warranty applicable on parts only. Warranty extends solely to original purchaser, who must produce the original sales receipt for redemption of any warranty claims.

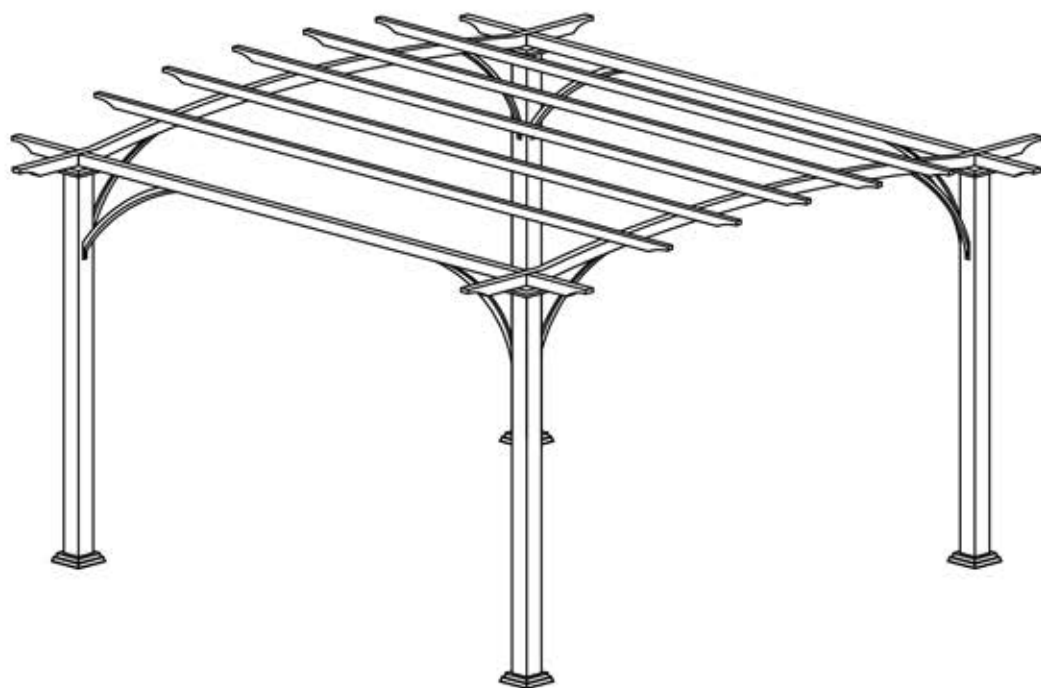
## EXCLUDED

Damages due to vandalism, abuse and/or misuse of the product are not covered by the Warranty.

Damages due to weather conditions, such as storms or winds

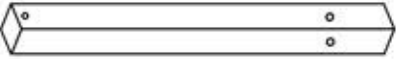

Damages due to any type of misuse or improper installation of the unit.

It is recommended to remove the canopy cover in the event of winds or impending weather. Manufacturer is not responsible for damaged parts due to Acts of God.

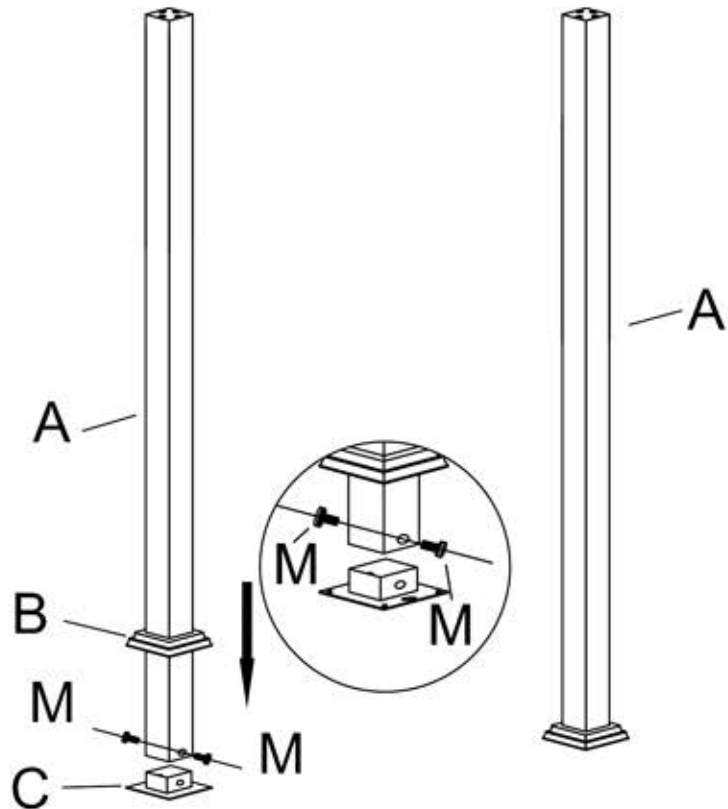


## Parts list

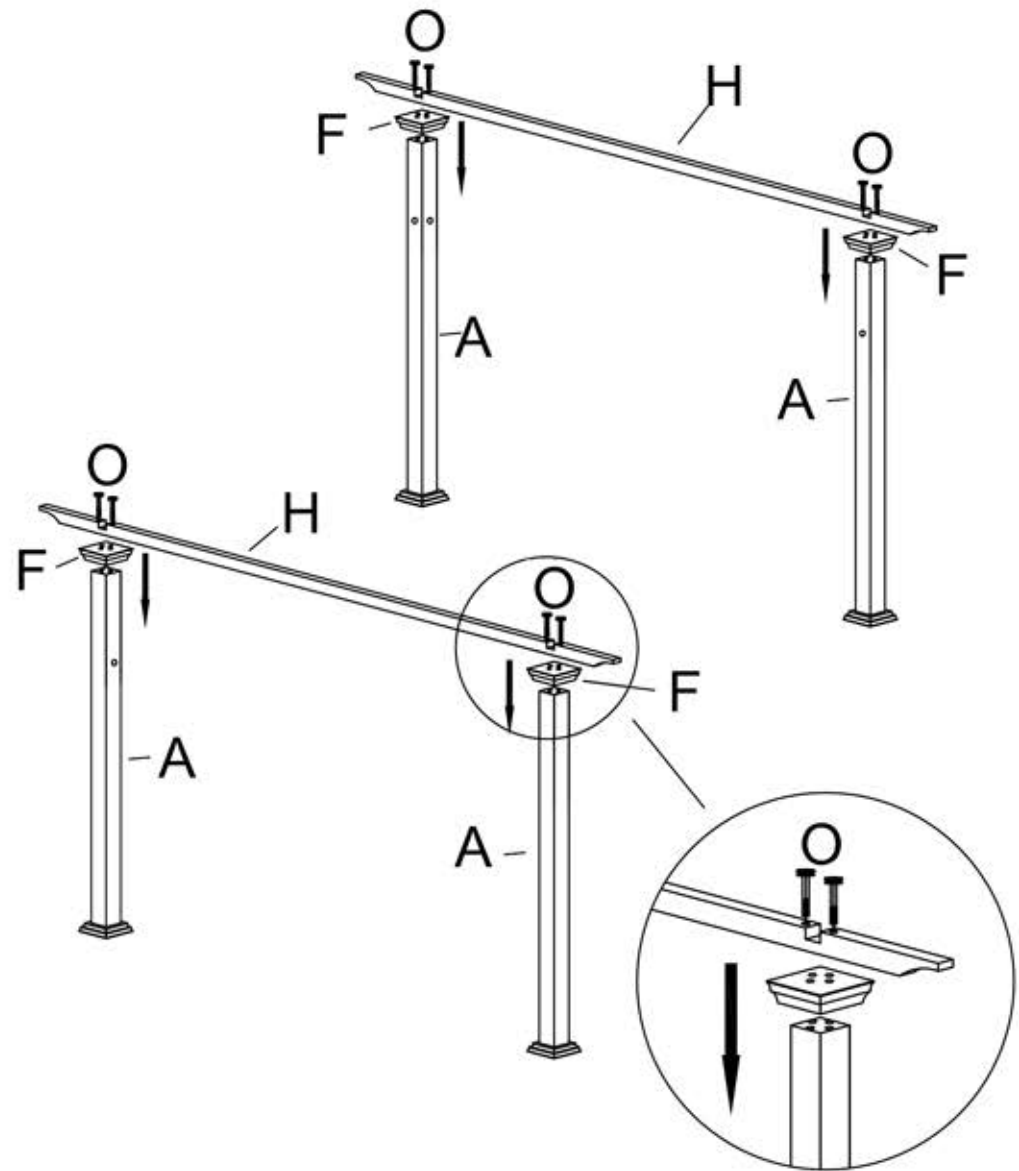
ITEM	DESCRIPTION	QTY	ILLUSTRATION
A	POST	4	
B	BASE CAP	4	
C	FLANGE BASE	4	
D	SUPPORTING TUBE	4	
E	SUPPORTING TUBE	4	
F	TOP CAP	4	
G	LONG CROSSBAR	2	
H	SHORT CROSSBAR	2	
I	SHORT ROOF TUBE	5	
J	WEIGHT BAR	2	
K	TOP	1	
L	STAKE	16	
M	SHORT SCREW	24	
N	MEDIUM SCREW	10	
O	LONG SCREW	16	
P	HEX WRENCH	2	

A  x4 C  x4

B  x4

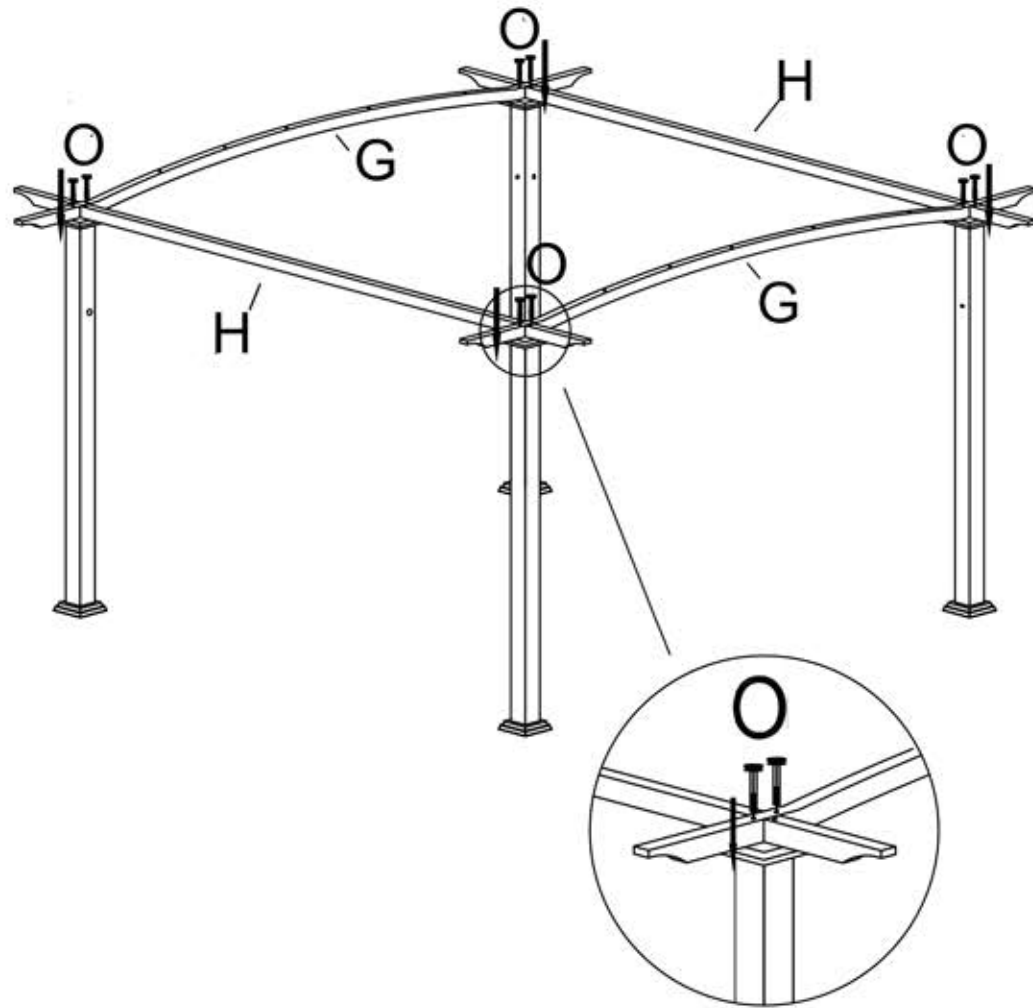


1. Insert base cap (B) onto post (A). Then, using small screw (M), secure base flange (C) on the bottom of post (A). Repeat for remaining 3 posts (A).



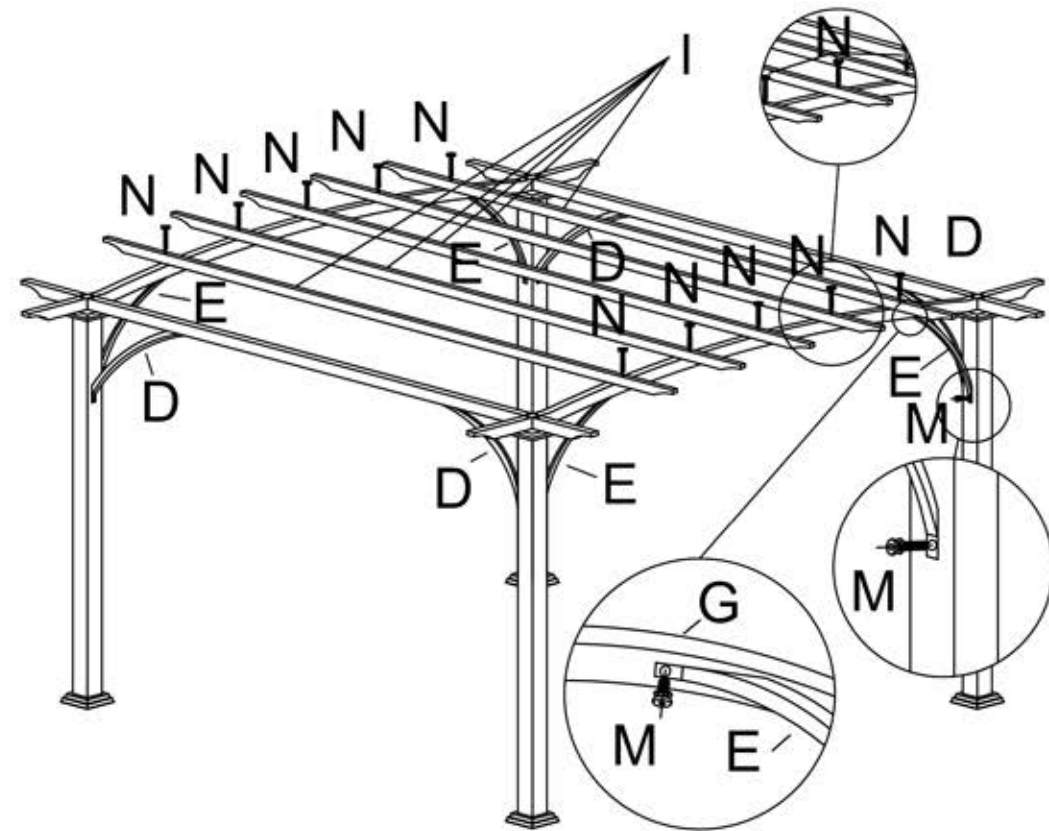
**You need 3 persons for this step.**

2. Place top cap (F) over the top of post (A). Repeat for second top cap (F) and post (A). When setting up posts (A), please make sure the screw inserts are facing inwards towards the center of the pergola area. Place short crossbar (H) over the two post assemblies, then secure short crossbar (H) and top cap (F) to post (A) with long screws (O). Repeat for remaining posts (A), top caps (F) and short crossbars (H).



**You need 3 persons for this step.**

3. Place long crossbar (G) over the short crossbar (H), then secure long crossbar (G) through short crossbar (H) onto post (A) using long screw (O), as shown.  
Repeat for remaining long crossbar (G).

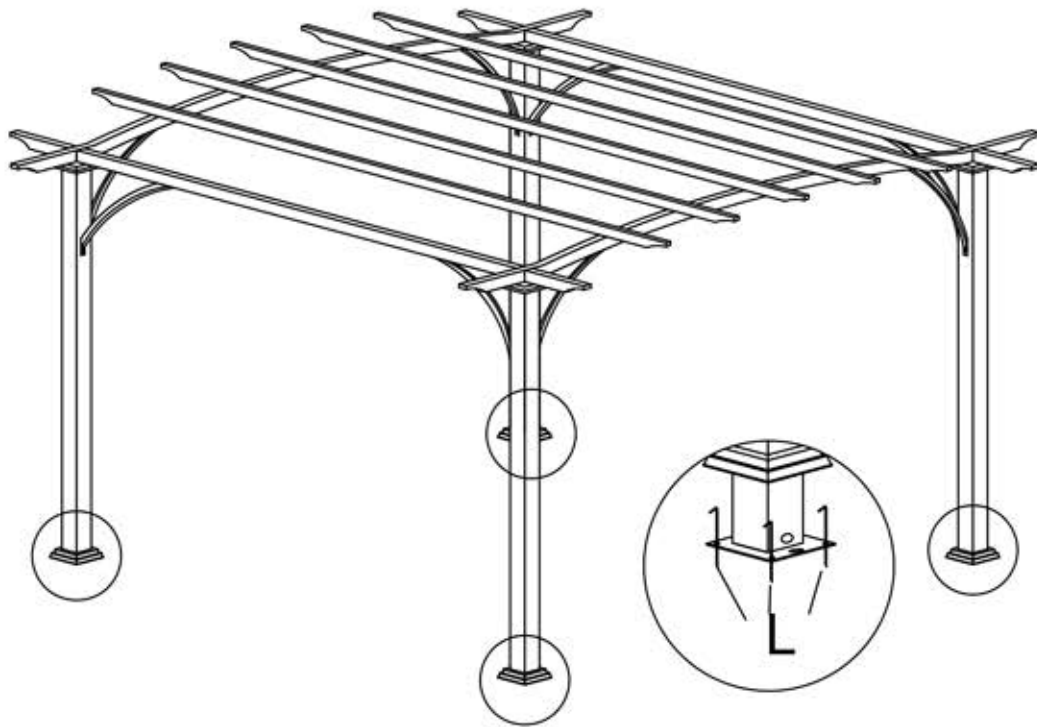


4. Place the roof tube (I) onto the top of long crossbar (G), then secure using medium screw (N).  
Repeat for 4 remaining roof tubes (I).  
5. Attach the supporting tube (E) onto long crossbar (G) and post (A) with short screw (M).  
6. Attach the supporting tube (D) onto short crossbar (H) and post (A) with short screw (M).  
Repeat on 3 remaining sides.

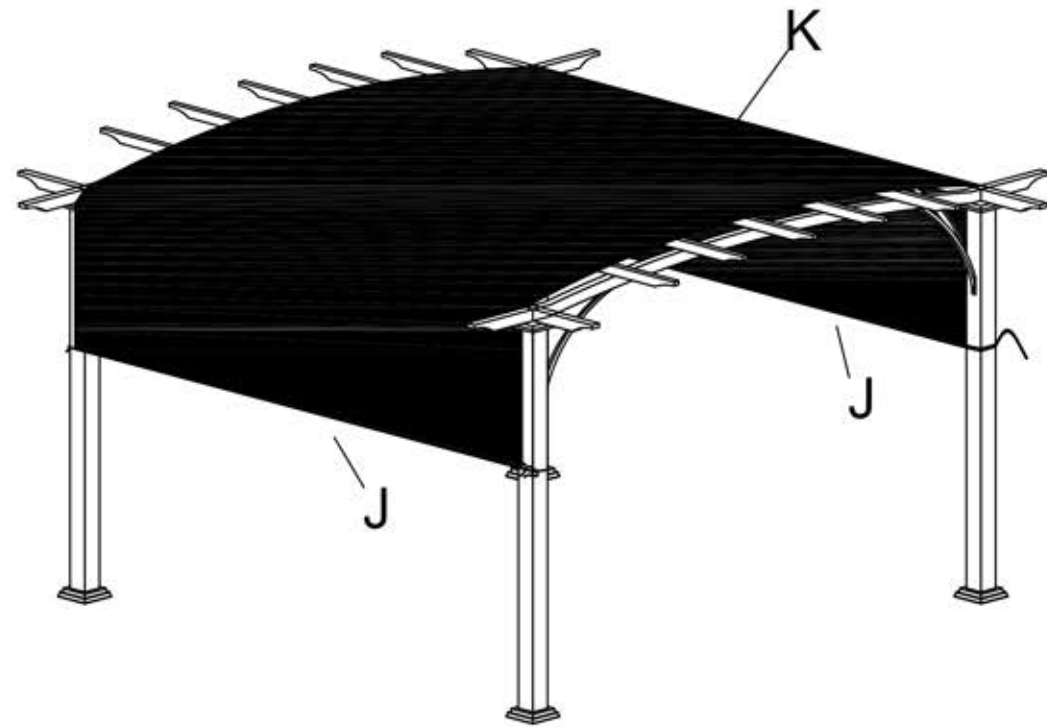
L



x16



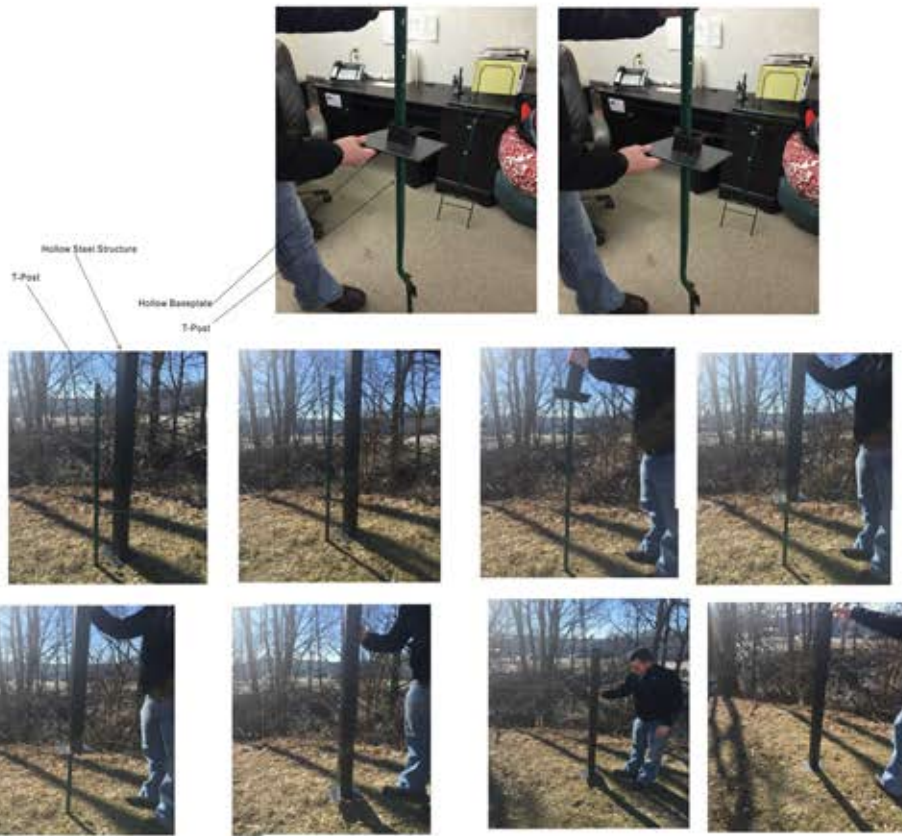
7, Raise up the base cap (B) and put stake (L) through the holes in base flange (C) and insert into the ground, then slide down the base cap (B).



8. Slide canopy top (K) over the top of roof tubes (I) and short crossbars (H). Insert weight bar (J) through the holes on the end of canopy top (K). Repeat with remaining weight bar (J).  
9. Secure canopy top (K) to corner post (A) using fabric ties on each corner of the canopy.

## Patent-Pending Anchoring System

In order to utilize the Pergola's Patent-Pending anchoring system, simply insert T-posts into the ground and cover the T-posts using the hollow baseplates and corner posts. A minimum of 5 ft. T-Posts should be used during this process. The T-Posts should be inserted at least 2 ft. into the ground and are recommended to emerge from the ground anywhere from 12-52 inches (considering that the T-Posts are inserted at a minimum of 2 ft.) This will aid in ensuring a more permanent standing structure.



★★ Patent Pending



**Please help us give you the best possible service by emailing your parts & service needs to:**

[ddiparts@ddicorp.com](mailto:ddiparts@ddicorp.com)

<http://ddiretail.com/contact-us/>

Customer Name	
Mailing address	
Phone number	
Email address	
Item name	
Item UPC Code	681129069989
Date of purchase	
Name of Store	
Specific Issue	
Part needed – please identify from assembly instructions	

Please keep original purchase receipt for best service

**Emails are responded to daily and are the most accurate way to communicate item/parts needs.**

This form is also available online at: <http://ddiretail.com/contact-us/>

