

# Vacuum Cleaner

## User's manual

EN



**SENCOR®**

SVC 682VT / SVC 684TQ

Before first use, please read all instructions contained in this user's manual carefully, even if you are already familiar with using similar products. Only use this appliance in accordance with the instructions described in the user's manual. Keep this user's manual in a safe place where it can be easily retrieved for future use.

We recommend saving the original cardboard box, packaging material, purchase receipt and responsibility statement of the vendor or warranty card for at least the duration of the legal liability for unsatisfactory performance or quality. If you need to ship this appliance, pack it in the original cardboard box to ensure maximum protection during shipping or transport (e.g. when moving or when you need to send this appliance for repair).

EN-1

## TABLE OF CONTENTS

IMPORTANT SAFETY NOTICE .....	3
DESCRIPTION OF THE VACUUM CLEANER .....	6
ASSEMBLY .....	7
USING THE VACUUM CLEANER .....	8
USING THE ACCESSORIES .....	9
CLEANING AND MAINTENANCE.....	9
TROUBLESHOOTING.....	11
STORING THE VACUUM CLEANER .....	11
TECHNICAL SPECIFICATIONS .....	12
PRODUCT INFORMATION SHEET .....	13
INSTRUCTIONS AND INFORMATION REGARDING THE DISPOSAL OF USED PACKAGING MATERIALS ....	14
DISPOSAL OF USED ELECTRICAL AND ELECTRONIC EQUIPMENT.....	14

## IMPORTANT SAFETY NOTICE

- 1) Carefully unpack the appliance and take care not to throw away any part of the packaging before you find all the parts of the appliance.
- 2) This appliance may be used by children 8 years of age and older and by persons with physical or mental impairments or by inexperienced persons, if they are properly supervised or have been informed about how to use the appliance in a safe manner and understand the potential dangers. Do not allow children to play with the appliance. Cleaning and user maintenance must not be performed by unsupervised children. Keep this appliance and its accessories out of reach of children that are younger than 8 years of age.
- 3) Before connecting the appliance to a power socket, make sure the voltage stated on its rating label corresponds to the voltage in your power socket.
- 4) Never use accessories, which have not been supplied with this appliance or which are not designed for this appliance.
- 5) Do not place the power cord near hot places or sharp objects. Do not place heavy objects on the power cord. Position the power cord so that it will not be stepped on or tripped over. Make sure the power cord is not touching a hot surface.
- 6) If the power cord of the appliance is damaged, have it repaired by an authorised service technician to prevent causing a dangerous situation. It is forbidden to use the appliance if it has a damaged power cord or plug.
- 7) Do not disconnect the power cord from the power socket by pulling the cord.
- 8) In no case should you attempt to repair the appliance yourself, do not make any amendments to it - danger of electrical shock! Entrust all repairs and adjustments to a specialised company/service. Failure to do so will expose you to a danger of voiding the warranty policy.
- 9) Never use the appliance if you have wet hands or feet.

- 10) Only store and use the appliance away from flammable or volatile materials and solutions.
- 11) The appliance is designed for use in households, offices and similar types of areas. Do not use it in industrial surroundings or outdoors!
- 12) Do not use the appliance for purposes other than those intended.
- 13) Do not spray the appliance with water or any other liquid. Do not pour water or any other liquids into the appliance. Do not submerge the appliance in water or in any other liquid.
- 14) Make sure the appliance does not come in contact with water. Never use the appliance near a bathtub, wash basin or any other containers filled with water.
- 15) After finishing using the appliance, turn it off and disconnect the power cord from the power socket. Prior to cleaning, proceed in the same manner.
- 16) Never leave the appliance switched on without supervision.
- 17) In order to avoid deformation of the plastic components of the vacuum cleaner or to prevent it from catching on fire, do not expose the vacuum to direct sunlight, do not place it close to heaters, open fires or other sources of heat.
- 18) If the appliance is being used, do not block the air inflow and outflow vents. Blocked air vents can cause overheating and motor damage.
- 19) Vacuuming the below mentioned objects can damage your appliance or cause injuries to the operating person:
  - wet floors, water or other liquids;
  - any type of sharp objects such as broken glass or ceramics, needles, pins, etc.;
  - burning cigarettes, or smouldering compounds, matches or any other flammable or volatile liquids (e.g. gasoline, paint thinners, etc.);
  - flour, cement, plaster (i.e. dust from holes drilled in walls).
- 20) In order to avoid damaging furniture or injuries to persons, hold the power cord in your hands as it winds up.

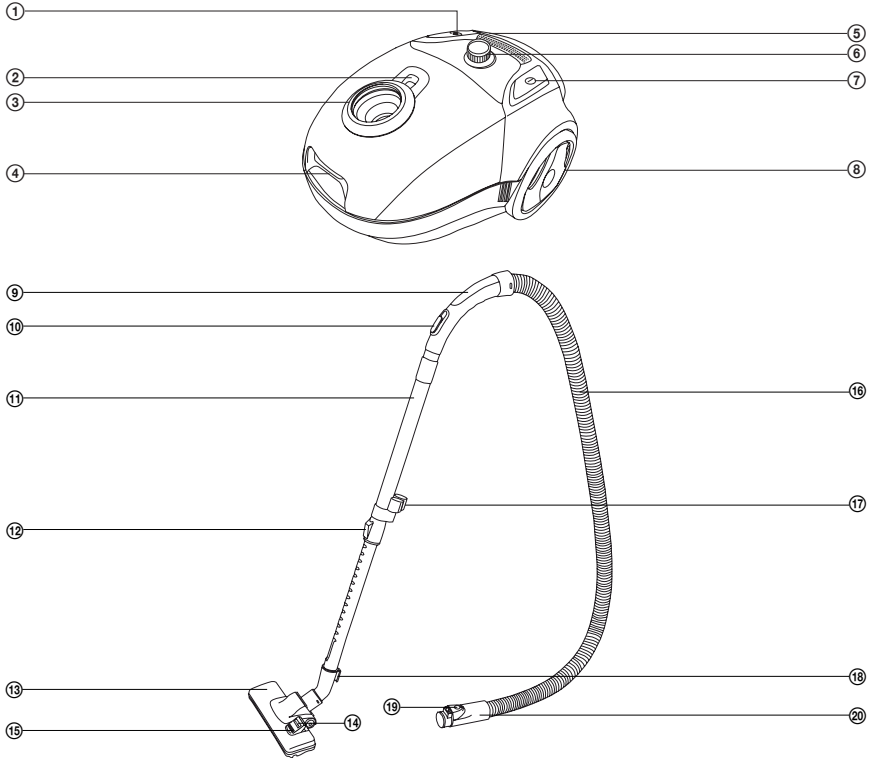
- 21) Do not vacuum larger pieces of paper or plastic bags. They may easily clog the pipe or hose. In the event that the appliance becomes clogged for any reason, immediately turn it off by disconnecting it from the power socket. Then clean out the clogged pipe or hose.
- 22) In order to avoid damage to the hose, do not step on it or forcefully bend it. Do not use the vacuum if the hose is bent or damaged in any other way.
- 23) Do not ride over the power cord with the vacuum cleaner.
- 24) Never use the vacuum cleaner without having inserted the dust bag, the inflow micro-filter or the outflow H.E.P.A. filter or micro-filter.
- 25) Do not place the vacuuming hose, inlet nozzle or vacuuming accessories near to your eyes or ears.
- 26) Vacuuming of some types of floors or floor surfaces can create a static electricity charge, which is not dangerous for the user.
- 27) The manufacturer takes no responsibility for damages caused by the incorrect use of this appliance and its accessories (injuries, burns, scalding, fire, food spoilage, etc.).

# Vacuum Cleaner

SVC 682VT / SVC 684TQ

## DESCRIPTION OF THE VACUUM CLEANER

A



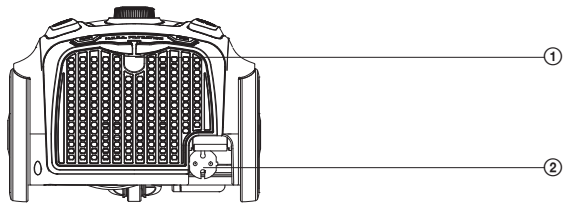
- |  |  |
|--|--|
| ① Cord winding button                    | ⑫ Clip for the telescopic tube                             |
| ② Full dust bag indicator                | ⑬ Floor nozzle   |
| ③ Vacuum hose connection hole            | ⑭ Flap position for vacuuming carpets                      |
| ④ Clip for locking and releasing the lid | ⑮ Flap position for vacuuming hard (smooth) floors         |
| ⑤ Cover of the outflow H.E.P.A. filter   | ⑯ Hose   |
| ⑥ Motor power control dial               | ⑰ Accessory holder   |
| ⑦ START/STOP button                      | ⑱ Stopper for the horizontal and vertical parking position |
| ⑧ Rubber-coated wheel                    | ⑲ Clip   |
| ⑨ Handle                                 | ⑳ Hose end   |
| ⑩ Sliding flap for air suction           |  |
| ⑪ Telescopic tube                        |  |

# Vacuum Cleaner

SVC 682VT / SVC 684TQ

EN

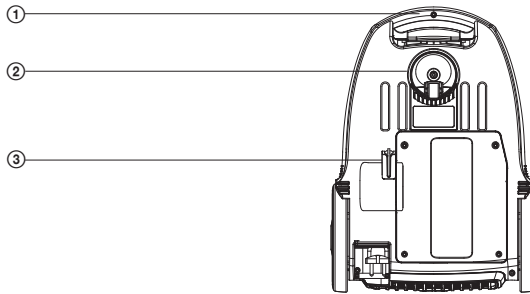
**B**



① Horizontal parking position

② Power cord

**C**



① Carry handle

② Front travel wheel with swivel mechanism

③ Vertical parking position

## ASSEMBLY

### Inserting the hose into the air suction hole on the vacuum cleaner.

Press both the safety buttons on the end of the hose end and insert the hose end into the air suction opening on the vacuum cleaner until you hear a "click". The hose is now secured in the correct position.

### Attach the holder to the telescopic tube:

Make sure to place the holder with the hose on the wider part of the telescopic tube.

### Attach the floor nozzle to the telescopic tube:

Make sure the floor nozzle is attached the narrower part of the telescopic tube.

### Adjust the length of the telescopic tube:

Adjust the length of the telescopic tube as required – disengage and hold the clip on the tube in the direction shown by the arrow and adjust the length of the tube as required. Then release the clip and slide out the tube slightly forward until you hear a "click". The telescopic tube is now securely fixed in position.

EN-7

## USING THE VACUUM CLEANER

### Connecting your vacuum cleaner to the power grid

Wind out the required length of the power cord by pulling on the power plug. Insert the power plug into a power socket.



#### Caution:

Yellow marking on the power cord warns that the power cord is close to its end. Do not pull the cord further than the red marking.

### Adjusting the floor inlet nozzle according to the floor surface.

You may set the inlet nozzle according to the floor surface by adjusting the inlet flap:

- If you want to vacuum carpets, close the bristles of the inlet inside the inlet nozzle, by turning the flap accordingly.
- If you want to vacuum hard and smooth surfaces, extend the bristles out of the nozzle, by turning the flap accordingly.

### Turning your vacuum cleaner on and off

To switch your vacuum cleaner on, press the START/STOP button. To turn off the vacuum cleaner, press the button again.

### Adjusting the suction power

Suction power can be controlled using the electronic power control dial. Turn the power control dial clockwise to the MAX position to increase the power of the vacuum cleaner, turn it in the opposite direction to the MIN position to reduce its power. In a smaller range, you may regulate suction power using the mechanically sliding flap on the hose handle.



#### Tips

- Use the maximum suction strength when vacuuming carpets or floors with a hard surface. Use the reduced strength when vacuuming upholstery, window curtains, etc.
- If the hose holder becomes blocked when vacuuming, disconnect it from the telescopic tube and also disconnect the hose from the vacuum cleaner body. Then place the holder inside the suction hole on the vacuum cleaner body and vacuum out the stuck dirt.

### Temporary interruption of the vacuuming process

If you wish to interrupt vacuuming for a while, you can use the horizontal or vertical parking position on the vacuum cleaner, into which you insert the stopper on the floor nozzle.



#### Attention:

Do not move the vacuum cleaner from place to place if the hose is in the parked position! The stopper on the floor nozzle could brake off.

### Ending the vacuuming process

When you finish vacuuming, switch the vacuum cleaner off by pressing the START/STOP button and then disconnect the power cord plug from the socket.

To wind the power cord back into the vacuum cleaner, press and hold the winding button with one hand and guide the power cord with the other.



#### Tip:

If the winding process stops and part of the power cord is still outside, release the winding button and pull the cable out again by about 50 cm and then press and hold the winding button again and repeat the winding process.

# Vacuum Cleaner

SVC 682VT / SVC 684TQ

EN

## Carrying the vacuum cleaner

It is possible to hold and carry the vacuum by the handle.

## USING THE ACCESSORIES

D



- ① Telescopic slot nozzle for vacuuming in hard to reach places (e.g. windows, corners, book shelves, areas between mattresses, upholstery, etc.)
- ② Upholstery nozzle with an additional brush



### Tip:

If you need to have your accessories on hand when vacuuming, you may attach them to the special holder on the telescopic tube.

## CLEANING AND MAINTENANCE



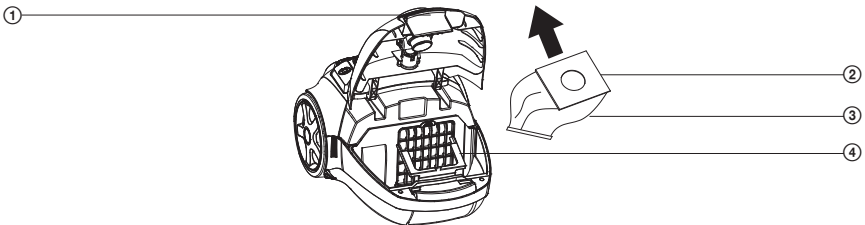
### Caution:

Before cleaning, disconnect this appliance from the power source.

### Changing the dust bag

When the full dust bag indicator lights up, it is necessary to replace the dust bag. If you do not remove the dust bag, the suction power will be reduced.

E



- ① Clip for locking and releasing the lid
- ② Dust bag collar
- ③ Dust bag
- ④ Dust bag holder

- 1) Open the vacuum cleaner filter area by pressing the lid clip while pulling it upwards at the same time.

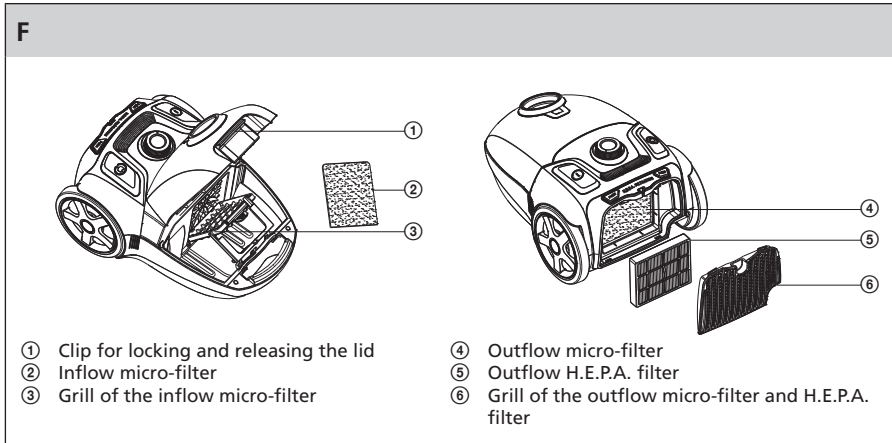
EN-9

# Vacuum Cleaner

SVC 682VT / SVC 684TQ

- 2) By pulling on the collar of the dust bag in the direction of the arrow, remove it from the plastic holder and insert a new bag.
- 3) Close the lid of the vacuum cleaner, until you hear a click.

## Replacing and cleaning the inflow micro-filter and outflow H.E.P.A. filter and micro-filter



- 1) Open the vacuum cleaner filter area by pressing the lid clip while pulling it upwards at the same time.
- 2) By pulling on the collar of the dust bag in the direction of the arrow, remove it from the plastic holder to make room for the removal of the filter.
- 3) Pull the inflow micro-filter grill towards yourself and take out the micro-filter.
- 4) Simultaneously press both PUSH buttons at the rear of the vacuum cleaner. This will tilt out the rear grill of the outflow micro-filter and H.E.P.A. filter. Put the grill aside and take out both filters.
- 5) If the micro-filters are slightly soiled, it is possible to wash them under running lukewarm water. If the H.E.P.A. filter is slightly soiled, it is possible to quickly wash it under a weak current of running lukewarm water. This will remove dust and dirt found on its surface. In the event of heavy soiling, replace the filters with new ones.
- 6) Allow washed filters to dry naturally. Do not dry them over heaters or using hair dryers. Then put the inflow micro-filter, outflow H.E.P.A. filter, micro-filter and the grills back in their place.
- 7) Return the dust bag.
- 8) Close the lid of the vacuum cleaner, until you hear a click.



### Attention:

Never insert the filters back into the vacuum cleaner if they are wet or damp! Always wait until they are thoroughly dry.

### Cleaning your vacuum cleaner.

To clean the outside parts of the appliance, use a fine cloth dipped in lukewarm water. Do not use aggressive cleaning agents, paint thinners or solvents. Using these solutions could damage the surface of the appliance.

## TROUBLESHOOTING

Before you decide to contact an authorised service centre, please read these following tips in the troubleshooting chart:

Problem	Possible cause	Possible solution
The motor will not start	The power cord is not inserted correctly in the power socket. The power socket is damaged. The vacuum cleaner is not switched on.	Insert the plug firmly into the power socket. Inspect the power socket. Turn on the appliance.
Suction power is weak	The appliance cleaner is clogged. The dust bag is full.	Remove the items that have clogged the appliance. Replace it with a new one.
The power cord is not wound in completely.	The power cord may have slipped down from the winding pulley during winding.	Hold the cable under tension while winding the cable.
The cable cannot be pulled out.	The cable is wound up incorrectly.	Press the winding button of the self winding cable and try to rewind the power cord again.
The power control does not function.	The appliance is out of order.	Have the appliance repaired (only by a qualified technician).
The power cord starts to wind in when it is not required.	The winding mechanism is damaged.	Have the appliance repaired (only by a qualified technician).

## STORING THE VACUUM CLEANER

You may store the vacuum cleaner disassembled into its individual parts or you can store it assembled in one of the parking positions.

**TECHNICAL SPECIFICATIONS**

Rated voltage range .....	220–240 V
Rated frequency .....	50 Hz
Rated power input .....	850 W
Electrical shock protection class .....	II
Noise level .....	75 dB(A)
Length of the power cord .....	7 m
Operating range .....	10 m
Dust bag capacity .....	2.5 l
Dimensions (length x width x height) .....	425 × 225 × 315 mm
Weight .....	4.9 kg

The declared noise emission level of the appliance is 75 dB(A), which represents a level A of acoustic power with respect to a reference acoustic power of 1 pW.

Changes to text and technical parameters are reserved.

# Vacuum Cleaner

SVC 682VT / SVC 684TQ

EN

## PRODUCT INFORMATION SHEET

Name/trademark	SENCOR
Model identification number	SVC 862VT / SVC 864TQ
Energy efficiency class*	B
Annual power consumption (in kWh)**	32.3 kWh
Carpet cleaning efficiency class	D
Hard floor cleaning efficiency class	B
Vacuum cleaner dust emission class	B
Level of acoustic power (dB(A))	75 dB(A)
Rated power input (W)	850 W

\* Class A (highest efficiency class, low power consumption) to Class G (lowest efficiency class, high power consumption)

\*\* Approximate annual power consumption (in kWh per year) based on 50 cleaning cycles. Actual power consumption will depend on how the appliance is used.

The values are determined pursuant to (EU) No. 665/2013.

## INSTRUCTIONS AND INFORMATION REGARDING THE DISPOSAL OF USED PACKAGING MATERIALS

Dispose of used packaging material at a site designated for waste in your municipality.

## DISPOSAL OF USED ELECTRICAL AND ELECTRONIC EQUIPMENT



This symbol on products or original documents means that used electric or electronic products must not be added to ordinary municipal waste. For proper disposal, renewal and recycling hand over these appliances to determined collection points. Alternatively, in some European Union states or other European countries you may return your appliances to the local retailer when buying an equivalent new appliance.

Correct disposal of this product helps save valuable natural resources and prevents potential negative effects on the environment and human health, which could result from improper waste disposal. Ask your local authorities or collection facility for more details. In accordance with national regulations penalties may be imposed for the incorrect disposal of this type of waste.

### For business entities in European Union states

If you want to dispose of electric or electronic appliances, ask your retailer or supplier for the necessary information.

### Disposal in other countries outside the European Union.

This symbol is valid in the European Union. If you wish to dispose of this product, request the necessary information about the correct disposal method from the local council or from your retailer.



This appliance meets all the basic requirements of EU directives related to it.