

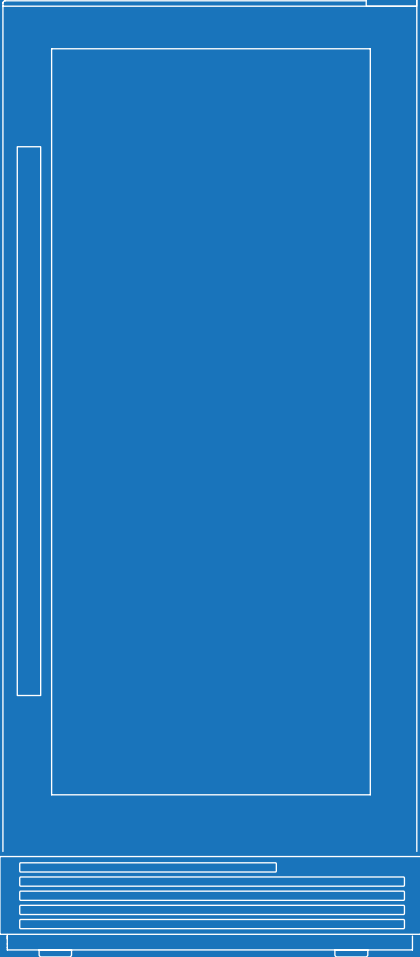
High End Wine Cooler

home™
homelabs.com

25 Bottle Capacity

HME030370N

Thank you for purchasing our quality appliance. Please be sure to read the entirety of this user manual carefully prior to use of the product. If you have any questions regarding the use of this product, please call 1-800-898-3002.



BEFORE FIRST USE:

To prevent any internal damage, it is very important to keep refrigeration units (like this one) upright throughout their journey. Please leave it standing upright and outside the box for **24 HOURS** before plugging it in.

In the event this product malfunctions or customer believes it is defective, the customer should contact Customer Service and retain the defective product pending further instructions. Defective product should be clearly marked or stored where it cannot be used again by mistake. Failure to retain the product may impede hOme™'s ability to correct any legitimate problem and may limit the extent to which hOme™ may provide recourse.

TABLE OF CONTENTS

Important Safety Instructions	6-9
Operating Instructions	10-15
Cleaning and Maintenance	16
Troubleshooting	17
Warranty	18
Manufacturing Info	18
Warning	18
Contact Us	18

Congratulations

on bringing home your new appliance!



Don't forget to register your product at [homelabs.com/reg](https://www.homelabs.com/reg) for updates, coupons, and other relevant information.

Although greatly appreciated, product registration is not required to activate any warranty.

Important Safety Instructions

- Before using this electrical appliance, carefully read these instructions and keep the user manual for future reference.
- This appliance is intended to be used in household and similar applications such as staff kitchen areas in shops, offices and other working environments; farm houses and by clients in hotels, motels and other residential type environments; bed and breakfast type environments; catering and similar non-retail applications.
- This appliance is not intended for use by persons (including children) with reduced physical, sensory or mental capabilities, or lack of experience and knowledge, unless they have been given supervision or instruction concerning use of the appliance by a person responsible for their safety.
- The appliance has to be unplugged before carrying out user maintenance on the appliance.
- Children should be supervised to ensure that they do not play with the appliance.
- **Do not** store explosive substances such as aerosol cans with a flammable propellant in or near this appliance.



Warning: risk of fire /flammable materials

- Keep ventilation openings in the appliance enclosure or in the built-in structure, clear of obstruction.
- **Do not** use mechanical devices or other means to accelerate the defrosting process, other than those recommended by the manufacturer.
- **Do not** damage the refrigerant circuit.
- Do not arbitrarily disassemble or reconstruct the cooler, nor damage the refrigerant circuit; maintenance of the appliance must be conducted by a specialist.
- Dispose the cooler according to local regulators as it uses flammable blowing gas and refrigerant.
- The gaps between the cooler door and the cooler body are small, note not to put your hand in these areas to avoid squeezing the finger. Be gentle when closing or opening the door to avoid falling articles.
- Do not give package and other components to children to play. The bending board and plastic film may lead to suffocation!
- Do not spray or wash the cooler; do not put the cooler in moist places easy to be splashed with water so as not to affect the electrical insulation properties of the cooler.
- The cooler might not operate consistently when placed under lowest temperatures of the cooler for an extended period of time.
- Do not use the cooler body, cooler door, etc. as pedal or support.
- When positioning the appliance, ensure the supply cord is not trapped or damaged.
- To avoid a hazard due to instability of the appliance, it must be fixed by referring to the “Placement” section on page 12.
- Take precautions to prevent an undue rise in the temperature of the wine while defrosting the cooler.
- A rise in temperature of the wine during manual defrosting, maintenance or cleaning could shorten the storage life.
- Do not exceed the storage time(s) recommended by the wine manufacturers for any kind of wine.

Important Safety Instructions

- Unplug in case of power failure or when cleaning. Wait for at least five minutes before powering on to avoid **damages to the compressor due to successive starts.**
- The door keys of the cooler should be kept out of the reach of children and not in the vicinity of the cooler appliance, in order to prevent children from being locked inside.
- **Do not** locate multiple portable socket-outlets or portable power supplies at the rear of the appliance.
- **Do not** use extension cords or ungrounded (two prong) adapters.

DANGER

- Risk of child entrapment.
 - Do not allow children to enter or climb the cooler to prevent that children are entrapped in the cooler or injured by the falling cooler.
 - Children should be supervised not playing in the vicinity of the cooler to avoid being entrapped in the cooler accidentally.
 - Before you throw away this product, take off the doors and leave the shelves in place so that children may not easily climb inside.
- The cooler must be disconnected from the source of electrical supply before attempting to install the accessories.

ELECTRICITY RELATED WARNINGS

- Do not pull the power cord when pulling the power plug of the cooler. Firmly grasp the plug and pull out it from the socket directly.
- Do not use the product if the power cord is damaged or the plug is worn. The damaged power cord or worn plug must be replaced by the manufacturer, or similarly qualified persons in order to avoid a hazard.
- The power cord should be firmly contacted with the socket or else fires might be caused. Ensure that the grounding electrode of the power socket is equipped with a reliable grounding line.
- Turn off the valve of the leaking gas and then open the doors and windows in case of leakage of gas and other flammable gases. Do not unplug the cooler and other electrical appliances considering that sparks may cause a fire.
- To ensure safety, do not place socket, regulators, rice cookers, microwave ovens and other appliances on top of the cooler.

WARNINGS RELATED TO PLACING ITEMS

- Do not put flammable, explosive, volatile and highly corrosive items in or near the cooler to prevent damages to the product or fire accidents.
- This product is a household cooler and can only be used for storage of wine. Do not use this appliance for other purposes such as storing blood, drugs, or biological products.
- Do not place heavy objects on top of the cooler. These objects may fall when opening or closing the door and cause accidents.

Important Safety Instructions

WARNINGS RELATED TO DISPOSAL



Refrigerant and cyclopentane foaming material used in the cooler are flammable. Therefore, when the cooler is scrapped, it shall be kept away from any fire source and be recovered by a recovering company with corresponding qualification other than be disposed by combustion, so as to **prevent damage to the environment or any other harm.**



When the cooler is scrapped, disassemble the doors, and remove gasket of door and shelves; put the doors and shelves in a proper place, so as to prevent trapping of any child.

MEANING OF SAFETY WARNING SYMBOLS



Prohibition symbol

The symbol indicates prohibited matters, and those behaviors are forbidden. Non-compliance with the instructions may result in product damages or endanger the personal safety of users.



Warning symbol

The symbol indicates matters that must be followed, and those behaviors must be strictly executed in line with the operation requirements. Non-compliance with the instructions may result in product damages or endanger the personal safety of users.



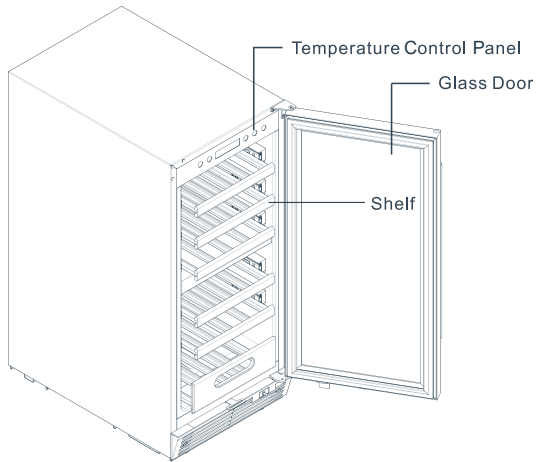
Note symbol

The symbol indicates matters to pay attention to, and these behaviors shall be specially noted. Due precautions are needed or minor or moderate personal injuries or damages to the product will be caused.

SAVE THESE INSTRUCTIONS
For Household Use Only

Operating Instructions

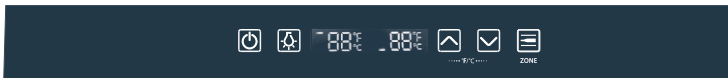
NAMES OF COMPONENTS



The above picture is only for reference. The product you got may be slightly different.

- The temperature in the cooler is 41-64 °F , only used to store unopened bottled wine (Champagne, red wine, white wine, or rose wine).
- Do not place food in the cooler to prevent bacterial contamination.
- Keep the interior of the wine cabinet dry.

TEMPERATURE CONTROL



 Standby button


 Light button

 Temperature display of upper zone

 Temperature display of lower zone

 Temperature increase button

 Temperature decrease button

 Conversion button of function of upper zone and lower zone

Operating Instructions

Display control

In the case of initial power-up, the whole screen will display relevant information for 3 seconds. You will hear the start-up sound, followed by normal operation display.

Digital display area displays the fault code in the case of failure and the set temperature in the case of normal operation.



This cooler can be controlled by gently touching buttons on the glass touch screen. The display panel should be prevented from scratching by sharp objects and kept away from high-intensity magnetic field and high-humidity environment; otherwise, normal setting and operation of the cooler may be affected.

Standby function

Press the standby button for 5 seconds to access or exit the standby mode.



Light

The internal lamp will light up when the cooler door is open, and will be off when the cooler door is closed.

You can also turn on or turn off the internal lamp by pressing the Light button. Once Light button is activated, when open the door, the internal lamp will not turn off.

Temperature setting

- Temperature Adjustment

Press , the set temperature will increase by 1°F. Press , the set temperature will decrease by 1°F. The temperature setting range of upper zone and lower zone is 41-57°F and 50-64°F respectively. The cooler will start work 30 seconds after that temperature settings are finished.

- Conversion of Centigrade and Fahrenheit

Press both  and  for 5 seconds to switch between Centigrade and Fahrenheit.

- Limitation to Temperature Setting of Lower zone

The upper zone temperature should always be set lower than the lower zone temperature and should not exceed the range of 4-14°F. For example, if the upper zone temperature is 50°F, the lower zone temperature should be 54-64°F. And if the lower zone temperature is wrongly set, it will change to right temperature automatically.

Error codes

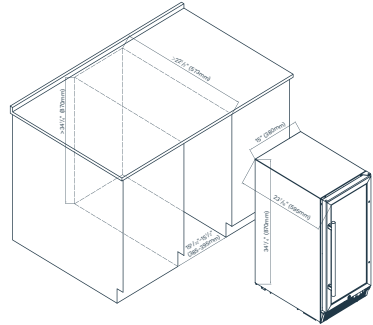
If the failure happens, the display area will show corresponding error codes as shown below. Contact a certified professional for maintenance.

Error code	Description
E1	Temperature sensor error of upper zone
E2	Temperature sensor error of lower zone
E6	Communication error
E9	High temperature alarm

Operating Instructions

PLACEMENT

- Before using the cooler, remove all packaging materials including bottom cushions and foam pads and tapes inside the cooler, tear off the protective film on the door and the cooler body.
- Avoid direct sunlight and heat sources such as stove, heating radiator, etc.
- The cooler is placed in a well ventilated indoor place; the ground shall be flat and sturdy (rotate left or right to adjust the feet for levelling if it is unstable).
- The height of the cooler is adjustable (34 1/8"-35" (867-890mm)).



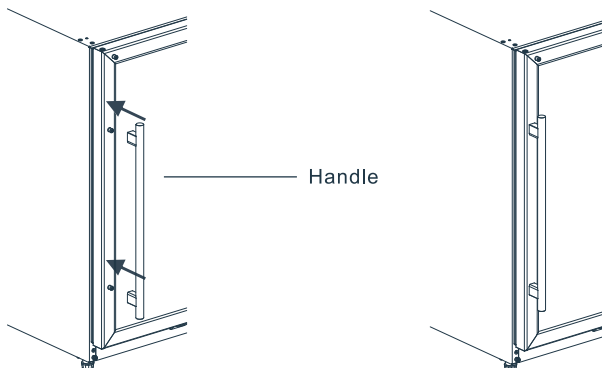
START TO USE

- The cooler shall stay for 24 hours before connecting to power in the first use.
- Clean up the inner chamber before use for first time.
- Do not connect cooler to electronic energy saving plug and a converter that can convert DC into AC (E.g.: solar energy system, ship grid).
- Water drop or frost will be generated on the back side of cooler when compressor is running. Wiping out frost or water drop is not necessary. The defrosted water will be collected into drain tank, then flows into water disposal pan above the compressor.

HANDLE INSTALLATION

Please choose the following handle installation instruction according to your actual needs.

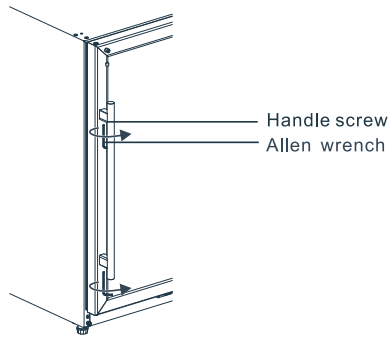
1. Put the handle on glass door through the two bolts.



Operating Instructions

HANDLE INSTALLATION (CONT.)

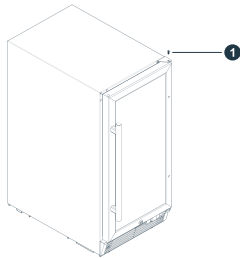
2. Use a wrench to fix the handle, make sure the screw hole is downward.



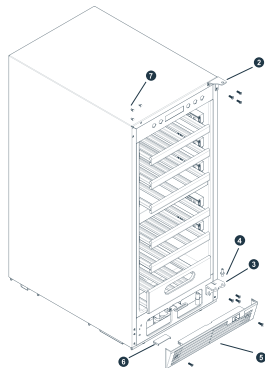
REVERSING THE DOOR SWING

Warning: For the product and personnel safety, please ask for qualified persons with skills to reverse the door swing.

1. Remove the upper right hinge shaft (1) and remove the door body.



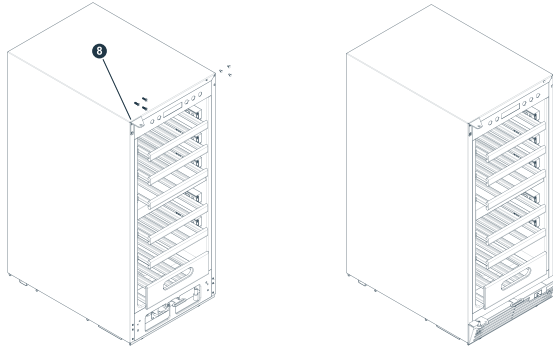
2. Remove the upper right hinge (2) and gently lift the door. Remove the lower hinge (3) and the lower hinge shaft (4), the air shield (5) and its insert (6) by removing the corresponding screws as below figure shows. Also remove the three plastic caps (7) on the left upper corner of the cabinet.



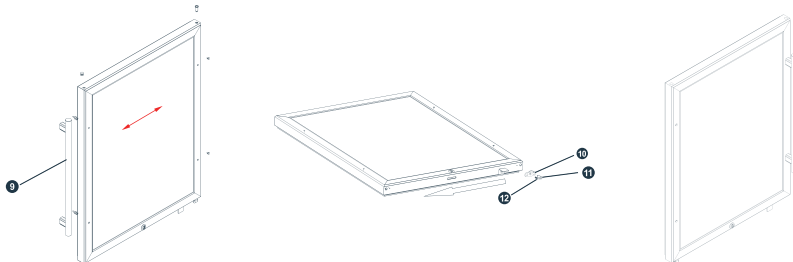
Operating Instructions

REVERSING THE DOOR SWING (CONT.)

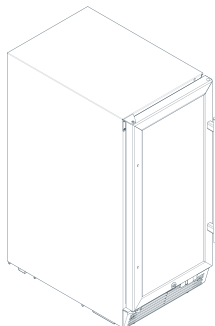
3. Take out the left upper hinge (8) from the package box and install it to the upper left corner of the cabinet. Install the left lower hinge shaft to the left hole of the left lower hinge. Install the left lower hinge to the cabinet. Install the air shield and its insert. Then install the three plastic caps removed from the left upper corner to the upper right corner.



4. Use a wrench to remove the door handle (9) from the left side and fix it to the right side. Fix the shaft hole cap to the left handle position. Remove the bottom support bracket (10) and install it to the other side. Install the lower hinge shaft (11). Pay attention that the plastic anchor (12) should be inserted into the bottom support bracket first.



5. Install the door and fix the upper left hinge shaft (1).

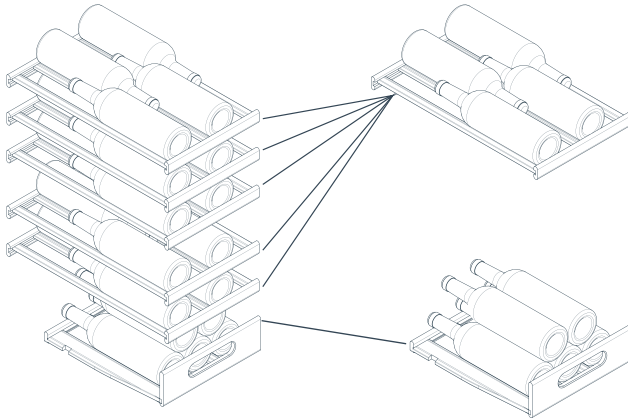
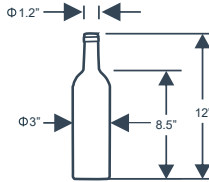


6. Complete the door change and store the unused upper right hinge.

Operating Instructions

THE ARRANGEMENT OF BOTTLES

- Do not let bottles touch the back side of cooler in order to maintain good air circulation in the cooler.
- The total number may be different as it depends on the shape and size of various bottles.
- The capacity for bottle storage in the wine cabinet is based on the following marked bottle size. Oversized bottle may impact the number of the bottles that can be stored in the wine cabinet.



ENERGY SAVING TIPS

- The Cooler shall be placed in a room dry and ventilated. The cooler cannot be put under direct sunlight or next to heat source (such as radiator, stove, etc.), and a suitable insulation board shall be applied if necessary.
- Shorten opening time of the cooler's door.

Cleaning and Maintenance

If the cooler left unused for a long time, please:

1. Unplug the cooler;
2. Clean the cooler;
3. Keep the cooler door open.

CLEAN THE COOLER

- Please turn off the power before cleaning, remove drinks or shelves, etc.
- Dust behind the cooler and on the ground shall be cleaned regularly to ensure the cooling and energy saving effect.
- Check the door gasket regularly to make sure there is no debris. Clean the door gasket with a soft cloth dampened with soapy water or diluted detergent.
- The interior of the cooler should be cleaned regularly to avoid odor.
- Use a soft cloth or sponge to clean the inside of the cooler, with two tablespoons of baking soda and a quart of warm water. Then rinse with water and dry with a soft cloth. After cleaning, open the door and let it dry naturally before turning on the power.
- For areas that are difficult to clean in the cooler (such as narrow sandwiches, gaps or corners), it is recommended to wipe them regularly with a soft rag, soft brush, etc. and when necessary, combined with some auxiliary tools (such as thin sticks) to ensure no contaminants or bacteria accumulation in these areas.
- Do not use soap, detergent, scrub powder, spray cleaner, etc., as these may cause odors in the interior of the cooler or contaminate food.
- Clean the shelves with a soft cloth dampened with soapy water or diluted detergent. Then rinse with water and dry with a soft cloth or dry naturally.
- The wooden wine rack should not be directly immersed in liquid to prevent cracking or mold after moisture. The wooden wine rack should be cleaned with a dry soft cloth. The heavily contaminated wooden wine rack should be cleaned with a soft cloth that has been wrung out, and dry naturally.
- Wipe the outer surface of the cooler with a soft cloth dampened with soap water, detergent, etc., and then wipe dry. Do not rub or scratch the surface of the glass door to prevent the door from being broken or scratched.
- Do not use hard brushes, clean steel balls, wire brushes, abrasives (such as toothpaste), organic solvents (such as alcohol, acetone, banana oil, etc.), boiling water, acid or alkaline items, which may damage the cooler surface and interior. Boiling water and organic solvents such as benzene may deform or damage plastic parts.
- Do not rinse directly with water or other liquids during cleaning to avoid short circuits or affect electrical insulation after immersion. Water should not soak the operating control elements and lighting system on the glass door.

NOTE:

Do not use detergent and solvent with sand or acid to clean the cooler.

Troubleshooting

PROBLEMS	CAUSES AND SOLUTIONS
The cooler does not operate	The cooler is not plugged and connected to power. Low voltage. Temperature control knob is not in the working area. Failure in power or tripping circuit.
Long time operation of compressor	It is normal that cooler operates for longer time to cool the wine in summer when the ambient temperature is high. Do not put too much wine bottles in the cooler at one time. Frequent opening of the cooler door.
Illuminating light does not turn on	The cooler is not connected to power, or the indicator light is damaged.
Loud noises	Make sure the floor is flat, the placement of cooler is stable, and the cooler accessories are properly placed.
Cooler enclosure heat	The cooler enclosure may emit heat during running especially in summer. This is caused by the radiation of the condenser and is normal.
Condensation	Condensation will be detected on the exterior surface and door seals of the cooler when the ambient humidity is high. This is normal. Simply wipe with soft towel, and turn up the set temperature of the appliance properly.
Airflow sound Buzz	Refrigerants circulating in the refrigerant lines will generate sound and grunts. This is normal and will not affect the cooling effect. Buzz will be generated by running compressor specially when starting up or shutting down.

Warranty

hOme™ offers a limited one-year warranty (“warranty period”) on all of our products purchased new and unused from hOme Technologies, LLC or an authorized reseller, with an original proof of purchase and where a defect has arisen, wholly or substantially, as a result of faulty manufacture, parts or workmanship during the warranty period. The warranty does not apply where damage is caused by other factors, including without limitation: (a) normal wear and tear; (b) abuse, mishandling, accident, or failure to follow operating instructions; (c) exposure to liquid or infiltration of foreign particles; (d) servicing or modifications of the product other than by hOme™; (e) commercial or non-household use.

The hOme™ warranty covers all costs related to restoring the proven defective product through repair or replacement of any defective part and necessary labor so that it conforms to its original specifications. A replacement product may be provided instead of repairing a defective product. hOme™’s exclusive obligation under this warranty is limited to such repair or replacement.

A receipt indicating the purchase date is required for any claim, so please keep all receipts in a safe place. We recommend that you register your product on our website, homelabs.com/reg. Although greatly appreciated, the product registration is not required to activate any warranty and product registration does not eliminate the need for the original proof of purchase. The warranty becomes void if attempts at repair are made by non-authorized third parties and/or if spare parts, other than those provided by hOme™, are used. You may also arrange for service after the warranty expires at an additional cost.

These are our general terms for warranty service, but we always urge our customers to reach out to us with any issue, regardless of warranty terms. If you have an issue with a hOme™ product, please contact us at 1-800-898-3002, and we will do our best to resolve it for you.

This warranty gives you specific legal rights, and you may have other legal rights which vary from state to state, country to country or province to province. The customer may assert any such rights at their sole discretion.

Manufacturing Info

This manual is to be used with all items with the model number

HME030370N


SKU# : HME030370N

Rated voltage/Frequency: 115V~ 60Hz 0.95A

Warning

Keep all plastic bags away from children.

Contact Us

 CHAT WITH US

homelabs.com/chat
Mon–Fri 10AM–5PM EST

 CALL US

1-(800)-898-3002
Mon–Fri 10AM–5PM EST

 EMAIL US

help@homelabs.com
Respond within twelve hours



For household
Use Only

1-800-898-3002
help@homelabs.com
homelabs.com/help

© 2019 hOmeLabs LLC
37 East 18 Street, 7th Floor
New York, NY 10003

All rights reserved. hOme®. Printed in China.

