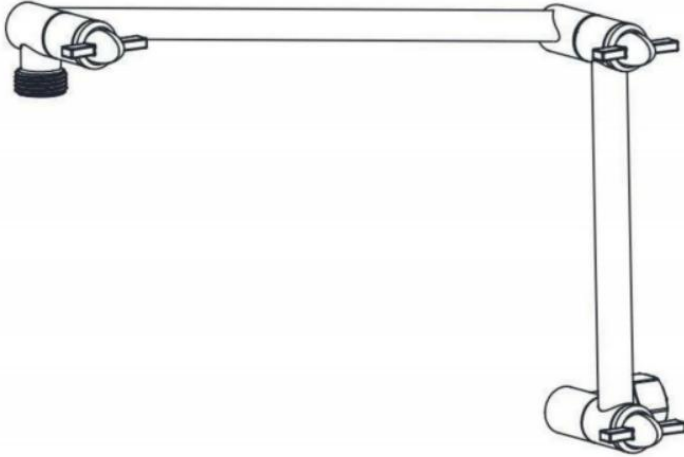


VEVOR

Affordable. Reliable. Home Improvement.

Shower Arm Extensions

Model: PJ134C



This is the original instruction, please read all manual instructions carefully before operating. VEVOR reserves a clear interpretation of our user manual. The appearance of the product shall be subject to the product you received. Please forgive us that we won't inform you again if there are any technology or software updates on our product.



**Read this material before using this product.
Failure to do so can result in serious injury.**

SAVE THIS MANUAL

SAVE THIS MANUAL

Keep this manual for the safety warnings and precautions, assembly, operating, inspection, maintenance and cleaning procedures. Write the month and year of purchase. Keep this manual and the receipt in a safe and dry place for future reference.

Parameter

Model	PJ134CP
Size	16in
Bearing	17.6pounds
Thread	G1/2
Apply	12 inch and below shower head
Accessory	Product * 1, sealing ring * 2, sealing tape (Teflon) * 1, instruction manual * 1

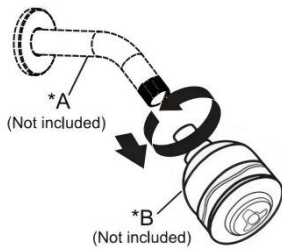
INSTALLATION METHOD



Additional O-Ring Included for Replacement if You find it is Leaking

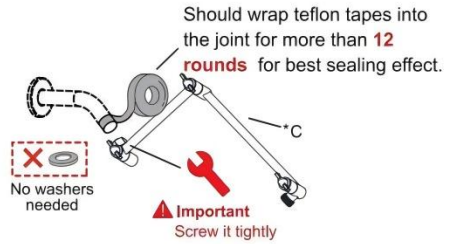


Installation is complete

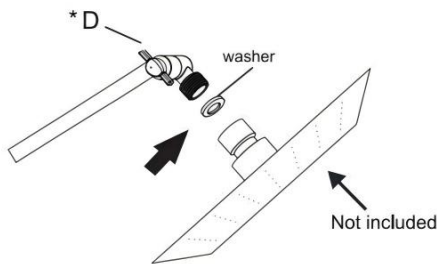


1. Unthread Old Showerhead (B)* from Shower Arm (A)*. Use wrench if necessary.

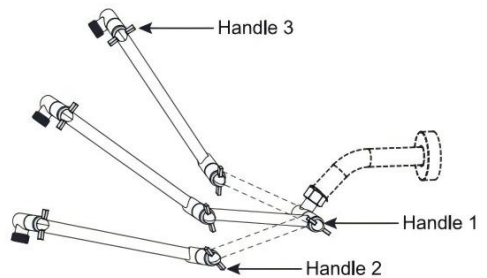
▲ Most customers have original shower arm on the wall, so our accessories package doesn't include it. If you are the new house to install the shower combo, you need to purchase the shower arm separately or contact us to get one.



2. Install the extension hose (C)* to the shower arm. No washers needed. Wrap around enough Teflon tape. After installed, check whether it can be adjusted to required position. Screw it tightly and make sure it fixed. **Use the wrench to tighten the nuts on the bolts. And make sure it fixed.**



3. Install the Shower head, don't forget the washer. Regulation (D)*, get comfortable shower Angle.



4. Loosen handle 1 to adjust height. Loosen handle 3 to adjust the Angle of Shower head.

Sanven Technology Ltd.

Address: Suite 250, 9166 Anaheim Place, Rancho Cucamonga, CA 91730



Technical Support and E-Warranty Certificate

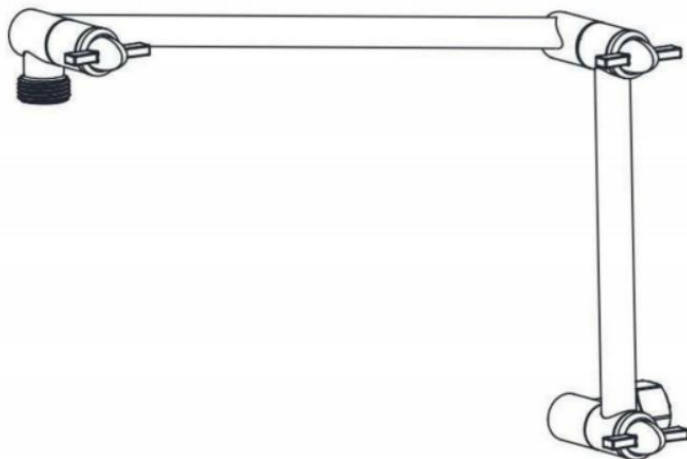
www.vevor.com/support

VEVOR

Affordable. Reliable. Home Improvement.

Shower Arm Extensions

Model: PJ134C



To jest oryginalna instrukcja, przed użyciem należy uważnie przeczytać wszystkie instrukcje. VEVOR zastrzega sobie jasną interpretację naszej instrukcji obsługi. Wygląd produktu będzie zależał od produktu, który otrzymałeś. Prosimy o wybaczenie, że nie poinformujemy Cię ponownie, jeśli w naszym produkcie pojawią się jakiegokolwiek aktualizacje technologiczne lub oprogramowania.



Przed użyciem produktu należy zapoznać się z treścią niniejszego dokumentu.

Niedopełnienie tego obowiązku może skutkować poważnymi obrażeniami.

ZAPISZ TĘ INSTRUKCJĘ

ZAPISZ TĘ INSTRUKCJĘ

Zachowaj tę instrukcję, aby zapoznać się z ostrzeżeniami i środkami ostrożności dotyczącymi bezpieczeństwa, procedurami montażu, obsługi, kontroli, konserwacji i czyszczenia. Zapisz miesiąc i rok zakupu. Zachowaj tę instrukcję i paragon w bezpiecznym i suchym miejscu, aby móc z nich skorzystać w przyszłości.

Parametr

Model	PJ134CP
Rozmiar	16 cali
Łożysko	1 7,6 funta
Nitka	G1/2
Stosować	Głowica prysznicowa 12 cali i mniejsza
Akcesorium	Produkt * 1, pierścień uszczelniający * 2, taśma uszczelniająca (teflonowa) * 1, instrukcja obsługi * 1

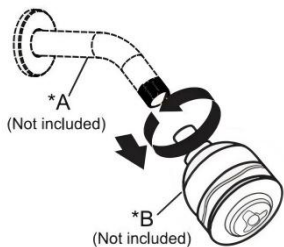
SPOSÓB INSTALACJI



Additional O-Ring Included for Replacement if You find it is Leaking

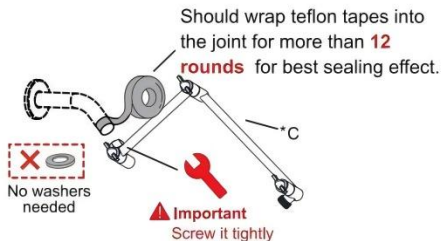


Installation is complete

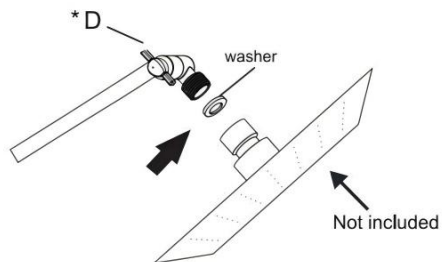


1. Unthread Old Showerhead (B)* from Shower Arm (A)*. Use wrench if necessary.

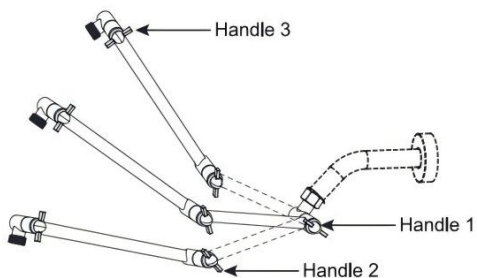
▲ Most customers have original shower arm on the wall, so our accessories package doesn't include it. If you are the new house to install the shower combo, you need to purchase the shower arm separately or contact us to get one.



2. Install the extension hose (C)* to the shower arm. No washers needed. Wrap around enough Teflon tape. After installed, check whether it can be adjusted to required position. Screw it tightly and make sure it fixed. **Use the wrench to tighten the nuts on the bolts. And make sure it fixed.**



3. Install the Shower head, don't forget the washer. Regulation (D)*, get comfortable shower Angle.



4. Loosen handle 1 to adjust height. Loosen handle 3 to adjust the Angle of Shower head.

Sanven Technology Ltd.

Adres: Suite 250, 9166 Anaheim Place, Rancho Cucamonga, CA 91730



Wsparcie techniczne i certyfikat e-gwarancji

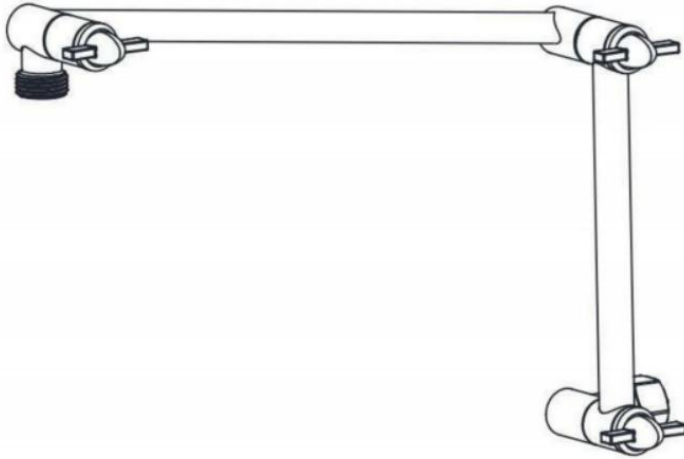
www.vevor.com/support

VEVOR

Affordable. Reliable. Home Improvement.

Shower Arm Extensions

Modell: PJ134C



Dies ist die Originalanleitung. Bitte lesen Sie alle Anweisungen sorgfältig durch, bevor Sie das Gerät in Betrieb nehmen. VEVOR behält sich eine klare Auslegung unserer Bedienungsanleitung vor. Das Erscheinungsbild des Produkts richtet sich nach dem Produkt, das Sie erhalten haben. Bitte verzeihen Sie uns, dass wir Sie nicht erneut informieren, wenn es Technologie- oder Software-Updates für unser Produkt gibt .



Lesen Sie dieses Material, bevor Sie dieses Produkt verwenden.

Andernfalls kann es zu schweren Verletzungen kommen.

BEWAHREN SIE DIESES HANDBUCH AUF

BEWAHREN SIE DIESES HANDBUCH AUF

Bewahren Sie dieses Handbuch auf, um die Sicherheitswarnungen und Vorsichtsmaßnahmen sowie die Montage-, Betriebs-, Inspektions-, Wartungs- und Reinigungsverfahren zu erfahren. Notieren Sie Monat und Jahr des Kaufs. Bewahren Sie dieses Handbuch und den Kaufbeleg für zukünftige Verwendung an einem sicheren und trockenen Ort auf.

P arameter

Modell	PJ134CP
Größe	16 Zoll
Lager	1 7,6 Pfund
Faden	G1/2
Anwenden	Duschkopf bis 12 Zoll
Zubehör	Produkt * 1, Dichtring * 2, Dichtband (Teflon) * 1, Bedienungsanleitung * 1

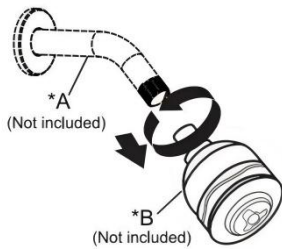
INSTALLATIONSMETHODE



Additional O-Ring Included for Replacement if You find it is Leaking

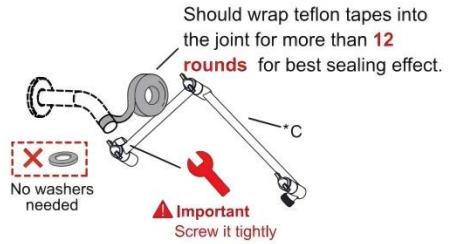


Installation is complete

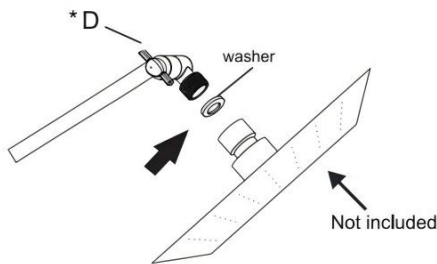


1. Unthread Old Showerhead (B)* from Shower Arm (A)*. Use wrench if necessary.

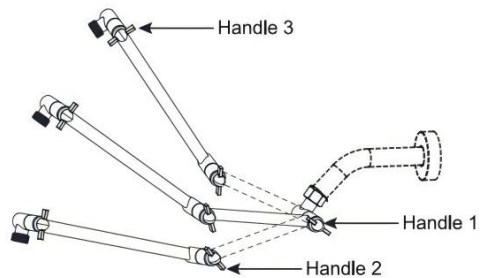
▲ Most customers have original shower arm on the wall, so our accessories package doesn't include it. If you are the new house to install the shower combo, you need to purchase the shower arm separately or contact us to get one.



2. Install the extension hose (C)* to the shower arm. No washers needed. Wrap around enough Teflon tape. After installed, check whether it can be adjusted to required position. Screw it tightly and make sure it fixed. **Use the wrench to tighten the nuts on the bolts. And make sure it fixed.**



3. Install the Shower head, don't forget the washer. Regulation (D)*, get comfortable shower Angle.



4. Loosen handle 1 to adjust height. Loosen handle 3 to adjust the Angle of Shower head.

Sanven Technology Ltd.

Adresse: Suite 250, 9166 Anaheim Place, Rancho Cucamonga, CA 91730



Technischer Support und E-Garantie-Zertifikat

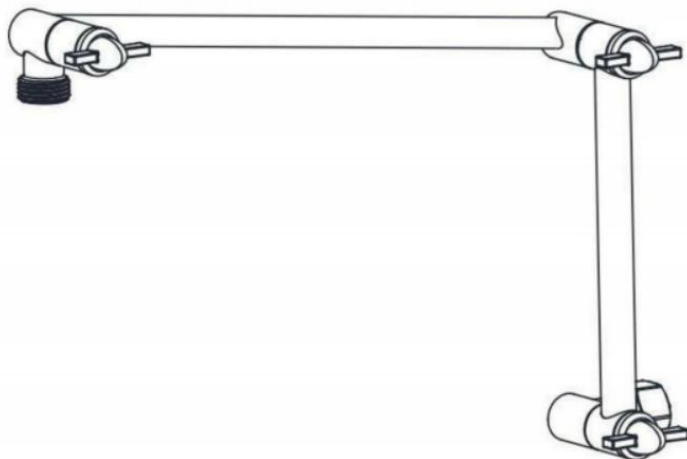
www.vevor.com/support

VEVOR

Affordable. Reliable. Home Improvement.

Shower Arm Extensions

Modèle: PJ134C



Il s'agit de la notice d'utilisation d'origine. Veuillez lire attentivement toutes les instructions du manuel avant de l'utiliser. VEVOR se réserve le droit d'interpréter clairement notre manuel d'utilisation. L'apparence du produit dépend du produit que vous avez reçu. Veuillez nous excuser, nous ne vous informerons plus si des mises à jour technologiques ou logicielles sont disponibles sur notre produit.



**Lisez ce document avant d'utiliser ce produit.
Le non-respect de cette consigne peut entraîner des
blessures graves.**

CONSERVER CE MANUEL

CONSERVER CE MANUEL

Conservez ce manuel pour les avertissements et précautions de sécurité, les procédures d'assemblage, d'utilisation, d'inspection, d'entretien et de nettoyage. Écrivez le mois et l'année d'achat. Conservez ce manuel et le reçu dans un endroit sûr et sec pour référence ultérieure.

P aramètre

Modèle	PJ134CP
Taille	16 pouces
Palier	1 7,6 livres
Fil	G1/2
Appliquer	Pommeau de douche de 12 pouces et moins
Accessoire	Produit * 1, bague d'étanchéité * 2, ruban d'étanchéité (Téflon) * 1, manuel d'instructions * 1

METHODE D'INSTALLATION

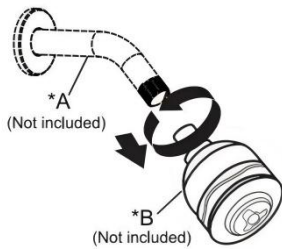


⚠ WARNING ⚠

Additional O-Ring Included for Replacement if You find it is Leaking

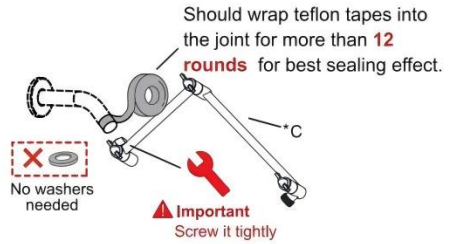


Installation is complete

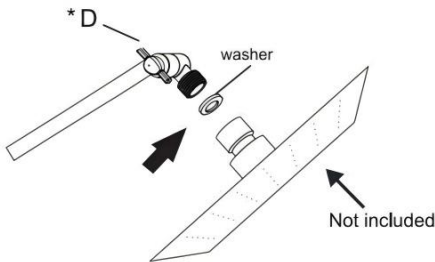


1. Unthread Old Showerhead (B)* from Shower Arm (A)*. Use wrench if necessary.

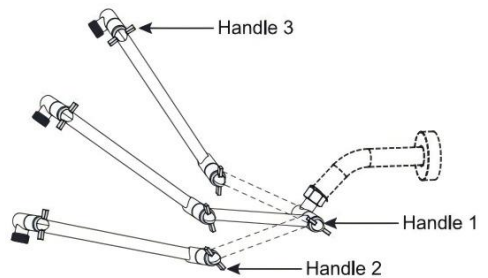
▲ Most customers have original shower arm on the wall, so our accessories package doesn't include it. If you are the new house to install the shower combo, you need to purchase the shower arm separately or contact us to get one.



2. Install the extension hose (C)* to the shower arm. No washers needed. Wrap around enough Teflon tape. After installed, check whether it can be adjusted to required position. Screw it tightly and make sure it fixed. **Use the wrench to tighten the nuts on the bolts. And make sure it fixed.**



3. Install the Shower head, don't forget the washer. Regulation (D)*, get comfortable shower Angle.



4. Loosen handle 1 to adjust height. Loosen handle 3 to adjust the Angle of Shower head.

Sanven Technologie Ltée.

Adresse : Suite 250, 9166 Anaheim Place, Rancho Cucamonga, CA 91730



Assistance technique et certificat de garantie électronique

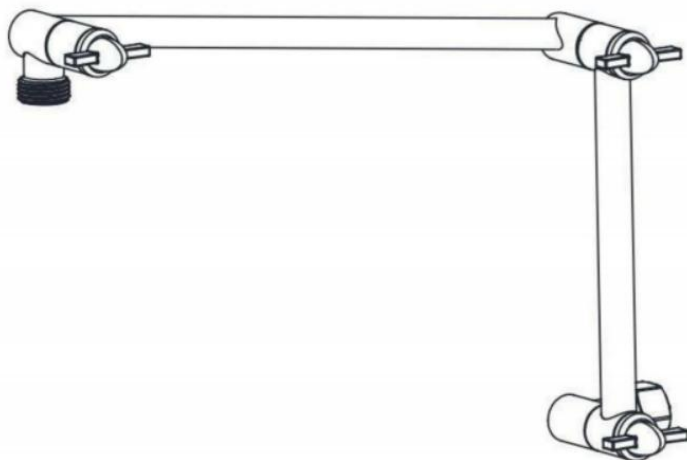
www.vevor.com/support

VEVOR

Affordable. Reliable. Home Improvement.

Shower Arm Extensions

Model: PJ134C



Dit is de originele instructie, lees alle handleidingen zorgvuldig door voordat u het product gebruikt. VEVOR behoudt zich een duidelijke interpretatie van onze gebruikershandleiding voor. Het uiterlijk van het product is afhankelijk van het product dat u hebt ontvangen. Vergeef ons dat we u niet opnieuw zullen informeren als er technologie- of software-updates voor ons product zijn .



**Lees dit materiaal voordat u dit product gebruikt.
Als u dit niet doet, kan dit ernstig letsel tot gevolg hebben.
BEWAAR DEZE HANDLEIDING**

BEWAAR DEZE HANDLEIDING

Bewaar deze handleiding voor de veiligheidswaarschuwingen en voorzorgsmaatregelen, montage, bediening, inspectie, onderhoud en reinigingsprocedures. Schrijf de maand en het jaar van aankoop op. Bewaar deze handleiding en de kassabon op een veilige en droge plaats voor toekomstig gebruik.

Parameter

Model	PJ134CP
Maat	16 inch
Handelswijze	1 7,6 pond
Draad	G1/2
Toepassen	Douchekop van 12 inch en kleiner
Accessoire	Product * 1, afdichtring * 2, afdichtband (Teflon) * 1, gebruiksaanwijzing * 1

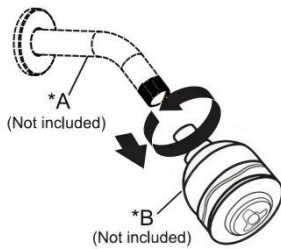
INSTALLATIEMETHODE



Additional O-Ring Included for Replacement if You find it is Leaking

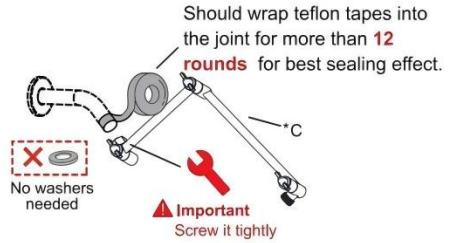


Installation is complete

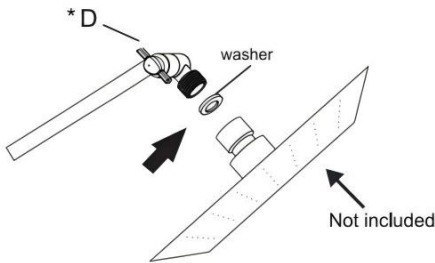


1. Unthread Old Showerhead (B)* from Shower Arm (A)*. Use wrench if necessary.

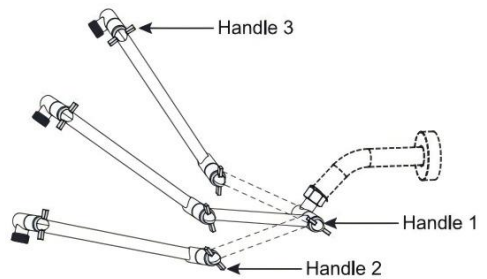
▲ Most customers have original shower arm on the wall, so our accessories package doesn't include it. If you are the new house to install the shower combo, you need to purchase the shower arm separately or contact us to get one.



2. Install the extension hose (C)* to the shower arm. No washers needed. Wrap around enough Teflon tape. After installed, check whether it can be adjusted to required position. Screw it tightly and make sure it fixed. **Use the wrench to tighten the nuts on the bolts. And make sure it fixed.**



3. Install the Shower head, don't forget the washer. Regulation (D)*, get comfortable shower Angle.



4. Loosen handle 1 to adjust height. Loosen handle 3 to adjust the Angle of Shower head.

Sanven Technologie Ltd.

Adres: Suite 250, 9166 Anaheim Place, Rancho Cucamonga, CA 91730



Technische ondersteuning en e-garantiecertificaat

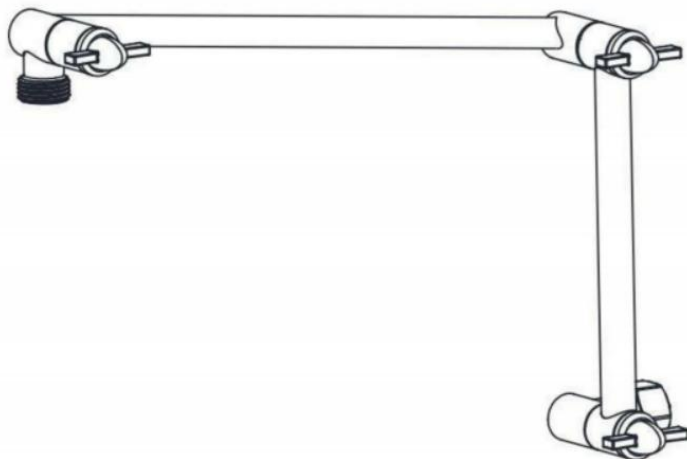
www.vevor.com/support

VEVOR

Affordable. Reliable. Home Improvement.

Shower Arm Extensions

Modell: PJ134C



Detta är den ursprungliga instruktionen, läs alla instruktioner noggrant innan du använder den. VEVOR reserverar sig för en tydlig tolkning av vår användarmanual. Utseendet på produkten är beroende av den produkt du fått. Ursäkta oss att vi inte kommer att informera dig igen om det finns någon teknik eller mjukvaruuppdateringar på vår produkt.



**Läs detta material innan du använder denna produkt.
Underlåtenhet att göra det kan resultera i allvarliga skador.
SPARA DENNA MANUAL**

SPARA DENNA MANUAL

Spara denna handbok för säkerhetsvarningar och försiktighetsåtgärder, montering, drift, inspektion, underhåll och rengöring. Skriv månad och år för köpet. Förvara denna bruksanvisning och kvittot på en säker och torr plats för framtida referens.

P arameter

Model	PJ134CP
Storlek	16 tum
B öring	1 7,6 pund
Tråd	G1/2
Tillämpas	12 tum och under duschhuvud
Åtföljande	Produkt * 1, tätningring * 2, tätningstejp (Teflon) * 1, bruksanvisning * 1

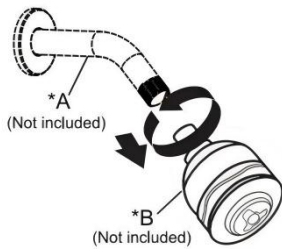
INSTALLATIONSMETOD



Additional O-Ring Included for Replacement if You find it is Leaking

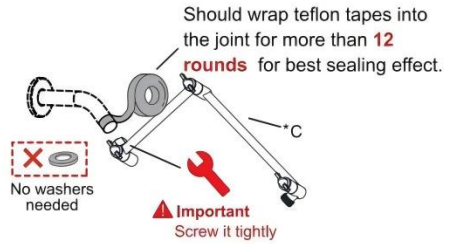


Installation is complete

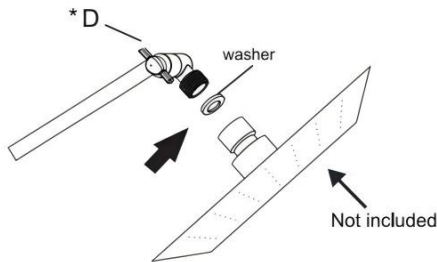


1. Unthread Old Showerhead (B)* from Shower Arm (A)*. Use wrench if necessary.

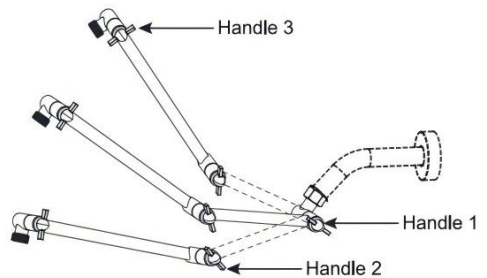
▲ Most customers have original shower arm on the wall, so our accessories package doesn't include it. If you are the new house to install the shower combo, you need to purchase the shower arm separately or contact us to get one.



2. Install the extension hose (C)* to the shower arm. No washers needed. Wrap around enough Teflon tape. After installed, check whether it can be adjusted to required position. Screw it tightly and make sure it fixed. **Use the wrench to tighten the nuts on the bolts. And make sure it fixed.**



3. Install the Shower head, don't forget the washer. Regulation (D)*, get comfortable shower Angle.



4. Loosen handle 1 to adjust height. Loosen handle 3 to adjust the Angle of Shower head.

Sanven Technology Ltd.

Adress: Suite 250, 9166 Anaheim Place, Rancho Cucamonga, CA 91730



Teknisk support och e-garanticertifikat

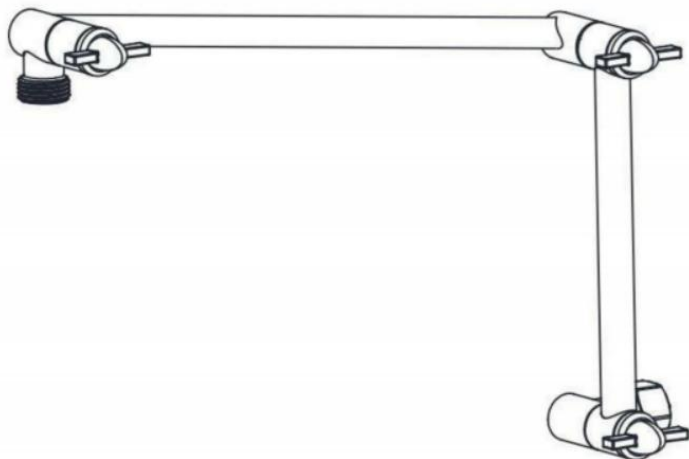
www.vevor.com/support

VEVOR

Affordable. Reliable. Home Improvement.

Shower Arm Extensions

Modelo: PJ134C



Estas son las instrucciones originales, lea atentamente todas las instrucciones del manual antes de utilizar el producto. VEVOR se reserva una interpretación clara de nuestro manual de usuario. La apariencia del producto estará sujeta al producto que recibió. Perdónenos por no informarle nuevamente si hay actualizaciones de tecnología o software en nuestro producto.



**Lea este material antes de usar este producto.
No hacerlo puede provocar lesiones graves.**

GUARDE ESTE MANUAL

GUARDE ESTE MANUAL

Conserve este manual para conocer las advertencias y precauciones de seguridad, el montaje, el funcionamiento, la inspección, el mantenimiento y los procedimientos de limpieza. Escriba el mes y el año de compra. Conserve este manual y el recibo en un lugar seguro y seco para futuras consultas.

Parámetro

Modelo	PJ134CP
Tamaño	16 pulgadas
Cojinete	1 7,6 libras
Hilo	G1/2
Aplicar	Cabezal de ducha de 12 pulgadas o menos
Accesorio	Producto * 1, anillo de sellado * 2, cinta de sellado (teflón) * 1, manual de instrucciones * 1

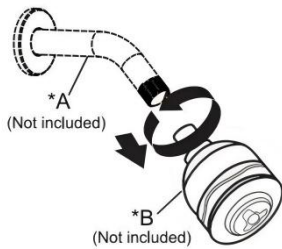
MÉTODO DE INSTALACIÓN



Additional O-Ring Included for Replacement if You find it is Leaking

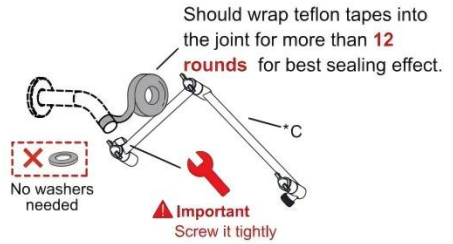


Installation is complete

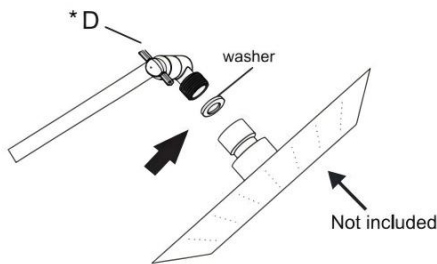


1. Unthread Old Showerhead (B)* from Shower Arm (A)*. Use wrench if necessary.

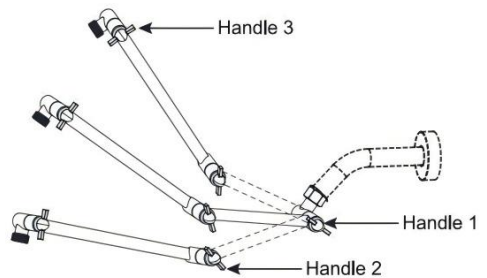
▲ Most customers have original shower arm on the wall, so our accessories package doesn't include it. If you are the new house to install the shower combo, you need to purchase the shower arm separately or contact us to get one.



2. Install the extension hose (C)* to the shower arm. No washers needed. Wrap around enough Teflon tape. After installed, check whether it can be adjusted to required position. Screw it tightly and make sure it fixed. **Use the wrench to tighten the nuts on the bolts. And make sure it fixed.**



3. Install the Shower head, don't forget the washer. Regulation (D)*, get comfortable shower Angle.



4. Loosen handle 1 to adjust height. Loosen handle 3 to adjust the Angle of Shower head.

Tecnología Sanven Ltd.

Dirección: Suite 250, 9166 Anaheim Place, Rancho Cucamonga, CA 91730



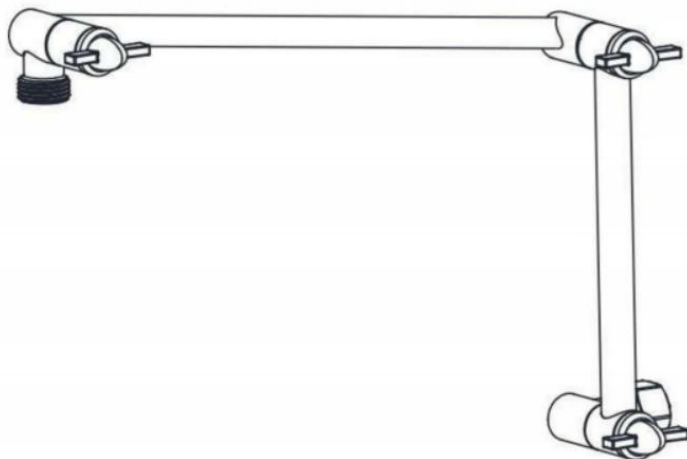
Soporte técnico y certificado de garantía electrónica
www.vevor.com/support

VEVOR

Affordable. Reliable. Home Improvement.

Shower Arm Extensions

Modello: PJ134C



Questa è l'istruzione originale, si prega di leggere attentamente tutte le istruzioni del manuale prima di utilizzare. VEVOR si riserva una chiara interpretazione del nostro manuale utente. L'aspetto del prodotto sarà soggetto al prodotto ricevuto. Vi preghiamo di perdonarci se non vi informeremo di nuovo se ci sono aggiornamenti tecnologici o software sul nostro prodotto.



Leggere attentamente il presente materiale prima di utilizzare il prodotto.

La mancata osservanza di questa precauzione può causare gravi lesioni.

SALVA QUESTO MANUALE

SALVA QUESTO MANUALE

Conservare questo manuale per le avvertenze e le precauzioni di sicurezza, le procedure di montaggio, funzionamento, ispezione, manutenzione e pulizia. Annotare il mese e l'anno di acquisto. Conservare questo manuale e la ricevuta in un luogo sicuro e asciutto per riferimento futuro.

Parametro

Modello	PJ134CP
Misurare	16 pollici
Cuscinetto	1 7,6 libbre
Filo	G1/2
Fare domanda a	Soffione doccia da 12 pollici e inferiore
Accessorio	Prodotto * 1, anello di tenuta * 2, nastro di tenuta (Teflon) * 1, manuale di istruzioni * 1

METODO DI INSTALLAZIONE

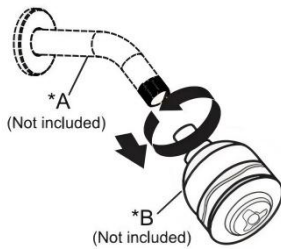


⚠ WARNING ⚠

Additional O-Ring Included for
Replacement if You find it is Leaking

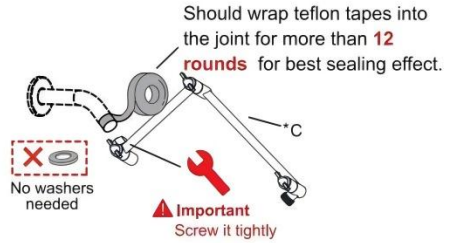


Installation is complete

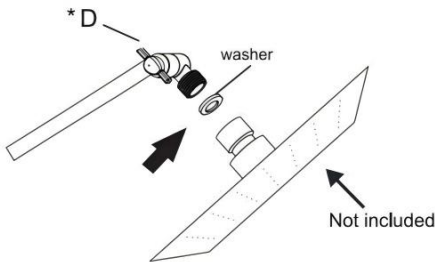


1. Unthread Old Showerhead (B)* from Shower Arm (A)*. Use wrench if necessary.

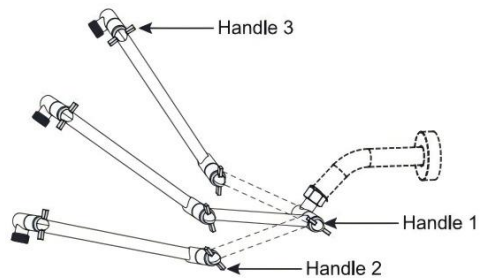
▲ Most customers have original shower arm on the wall, so our accessories package doesn't include it. If you are the new house to install the shower combo, you need to purchase the shower arm separately or contact us to get one.



2. Install the extension hose (C)* to the shower arm. No washers needed. Wrap around enough Teflon tape. After installed, check whether it can be adjusted to required position. Screw it tightly and make sure it fixed. **Use the wrench to tighten the nuts on the bolts. And make sure it fixed.**



3. Install the Shower head, don't forget the washer. Regulation (D)*, get comfortable shower Angle.



4. Loosen handle 1 to adjust height. Loosen handle 3 to adjust the Angle of Shower head.

Azienda

Indirizzo: Suite 250, 9166 Anaheim Place, Rancho Cucamonga, CA 91730



Supporto tecnico e certificato di garanzia elettronica

www.vevor.com/support