



OWNER'S MANUAL  
MANUEL DU PROPRIÉTAIRE  
MANUAL DEL PROPIETARIO

<b>AIR CONDITIONER</b> Owner's Manual.....	1 - 21
<b>CLIMATISEUR</b> Manual du propriétaire.....	22 - 43
<b>AIRE ACONDICIONADO</b> Manual del propietario.....	44 - 67

<b>MODEL • MODÈLE • MODELO</b>  DAC120ECBIWDB-RF
--

Danby Products Limited, Guelph, Ontario, Canada N1H 6Z9  
Danby Products Inc. Findlay, Ohio, U.S.A. 45840

[www.Danby.com](http://www.Danby.com)  
f i n t p

Printed in Canada or USA  
Imprimé au Canada ou aux États-Unis  
Impreso en Canadá o EE. UU.

2024.05.16





## Important Safety Information

**READ AND FOLLOW ALL SAFETY INSTRUCTIONS**



**Important Note: Read this manual carefully before installing or operating this appliance. Make sure to save the manual for future reference.**

	CAUTION	Shows that the operation manual should be read carefully.
	CAUTION	Shows that service personnel should be handling this equipment with reference to the installation manual.
	CAUTION	Shows that the information is available such as the operating manual or the installation manual.



### **CAUTION: RISK OF FIRE**

Flammable refrigerant used. When maintaining or disposing of the air conditioner, the refrigerant must not be allowed to vent into the open air.

**SAVE THESE INSTRUCTIONS!**



## Important Safety Information

### READ AND FOLLOW ALL SAFETY INSTRUCTIONS



## SAFETY PRECAUTIONS

### WARNING

- Installation must be performed according to the installation instructions. Improper installation can cause water leakage, electrical shock or fire.
- Use only the included accessories and parts and specified tools for the installation. Using non-standard parts can cause water leakage, electrical shock, fire and injury or property damage.
- Make sure that the outlet you are using is grounded and has the appropriate voltage. The power cord is equipped with a three-prong grounding plug to protect against shock. Voltage information can be found on the nameplate of the unit.
- Your unit must be used in a properly grounded wall receptacle. If the wall receptacle you intend to use is not adequately grounded or protected by a time delay fuse or circuit breaker (the fuse or circuit breaker needed is determined by the maximum current of the unit. The maximum current is indicated on the nameplate located on the unit), have a qualified electrician install the proper receptacle.
- Install the unit on a flat, sturdy surface. Failure to do so could result in damage or excessive noise and vibration.
- The unit must be kept free from obstruction to ensure proper function and to mitigate safety hazards.
- Do not modify the length of the power cord or use an extension cord to power the unit.
- Do not share a single outlet with other electrical appliances. Improper power supply can cause fire or electrical shock.
- Do not install your air conditioner in a wet room such as a bathroom or laundry room. Too much exposure to water can cause electrical components to short circuit.
- Do not install the unit in a location that may be exposed to combustible gas as this could cause fire.
- The unit has wheels to facilitate moving. Make sure not to use the wheels on thick carpet or to roll over objects as this could cause tipping.
- Do not operate a unit that has been dropped or damaged.
- The appliance with the electric heater shall have at least 1 meter space from combustible materials.
- Do not touch the unit with wet or damp hands or when barefoot.
- If the air conditioner is knocked over during use, turn off the unit and unplug it from the main power supply immediately. Visually inspect the unit to ensure there is no damage. If you suspect the unit has been damaged contact a technician or customer service for assistance.
- In a thunderstorm, the power must be cut off to avoid damage to the machine due to lightning.
- Your air conditioner should be used in such a way that it is protected from moisture. e.g. condensation, splashed water, etc. Do not place or store your air conditioner where it can fall or be pulled into water or any other liquid. Unplug immediately if this occurs.
- All wiring must be performed strictly in accordance with the wiring diagram location inside the unit.
- The unit's circuit board (PCB) is designed with a fuse to provide over current protection. The specifications of the fuse are printed on the circuit board.
- When the water drainage function is not in use keep the upper and lower drain plugs firmly installed in the unit. The drain plugs can be a choking hazard to children.

**SAVE THESE INSTRUCTIONS!**



## Important Safety Information

### READ AND FOLLOW ALL SAFETY INSTRUCTIONS



#### WARNING

- This appliance is not intended for use by persons (including children) whose physical, sensory or mental capabilities may be different or reduced, or who lack experience or knowledge, unless such persons receive supervision or training to operate the appliance by a person responsible for their safety. Children should be supervised to ensure that they do not play with the appliance. Children must be supervised around the unit at all times.
- If the power supply cord is damaged it must be replaced by the manufacturer, its service agent or similarly qualified persons in order to avoid a hazard.
- Prior to cleaning or other maintenance, the appliance must be disconnected from the power supply.
- Do not remove any fixed covers. Never use this appliance if it is not working properly or if it has been dropped or damaged.
- Do not run cord under carpeting. Do not cover cord with throw rugs, runners or similar coverings. Do not route cord under furniture or appliances. Arrange cords away from traffic and where it will not be tripped over.
- Do not operate a unit with a damaged power cord, plug, power fuse or circuit breaker. Discard the unit or return to an authorized service facility for examination and/or repair.
- To reduce the risk of fire or electric shock do not use this air conditioner with any solid-state speed control device.
- The appliance shall be installed in accordance with national wiring regulations.
- Contact the authorized service technician for repair or maintenance of this unit.
- Contact the authorized service installer for installation of this unit.
- Do not cover or obstruct the inlet or outlet grilles.
- Do not use this product for functions other than those described in this instruction manual.
- Before cleaning turn off the power and unplug the unit.
- Disconnect the power if strange sounds, smells or smoke comes from it.
- Do not press the buttons on the control panel with anything other than your fingers.
- Do not remove any fixed covers. Never use this appliance if it is not working properly or if it has been dropped or damaged.
- Do not operate or stop the unit by inserting or pulling out the power cord plug.
- Do not use hazardous chemicals to clean or come into contact with the unit. Do not use the unit in the presence of inflammable substances or vapour such as alcohol, insecticides, petrol, etc.
- Always transport your air conditioner in a vertical position and stand on a stable, level surface during use.
- Always contact a qualified person to carry out repairs. If the damaged power supply cord must be replaced with a new power supply cord obtained from the product manufacturer and not repaired.
- Hold the plug by the head of the power plug when removing it.
- Turn off the appliance when not in use.

**SAVE THESE INSTRUCTIONS!**



## Important Safety Information

### READ AND FOLLOW ALL SAFETY INSTRUCTIONS



#### Note about fluorinated gasses

- Fluorinated greenhouse gases are contained in hermetically sealed equipment. For specific information on the type, the amount and the CO<sub>2</sub> equivalent in tonnes of the fluorinated greenhouse gas on some models. Please refer to the relevant label on the unit itself.
- Installation, service, maintenance and repair of this unit must be performed by a certified technician.
- Product installation and recycling must be performed by a certified technician.

#### WARNING for using R32 refrigerant

- Do not use means to accelerate the defrosting process or to clean other than those recommended by the manufacturer.
- The appliance shall be stored in a room without continuously operating ignition sources for example, open flames, an operating gas appliance or an operating electric heater.
- Do not pierce or burn.
- Be aware that the refrigerants may not contain an odor.
- The appliance should be installed, operated and stored in a room with a floor area according to the amount of refrigerant to be charged. For specific information on the type of gas and the amount, please refer to the relevant label on the unit itself. When there are differences between the label and the manual on the minimum room area description, the description on the label shall prevail.
- Compliance with national gas regulations shall be observed.
- Keep ventilation openings clear of obstruction.
- The appliance shall be stored so as to prevent mechanical damage from occurring.
- A warning that the appliance shall be stored in a well-ventilated area where the room size corresponds to the room area as specified for operation.
- Any person involved with working on the refrigerant circuit should hold a current, valid certificate from an industry accredited assessment authority which authorizes their competence to handle refrigerants safely in accordance with an industry recognized assessment specification. Examples of such work are: breaking into the refrigerating circuit; opening of sealed components; opening of ventilated enclosures.
- Servicing shall only be performed as recommended by the manufacturer. Maintenance and repair requiring the assistance of other skilled personnel shall be carried out under the supervision of the person competent in the use of flammable refrigerants.
- Please follow the instruction carefully to handle, install, clear and service the air conditioner to avoid any damage or hazard. Flammable refrigerant R32 is used within this air conditioner. When maintaining or disposing of the air conditioner the refrigerant must be recovered properly and should not be allowed to discharge to the air directly.
- No open fire or device like switch which may generate spark/arcing shall be around air conditioner to avoid causing ignition of the flammable refrigerant used.
- Please follow the instruction carefully to store or maintain the air conditioner to prevent mechanical damage from occurring.
- Flammable refrigerant -R32 is used in air conditioner. Please follow the instruction carefully to avoid any hazard. For specific information on the type of gas and the amount, please to the relevant label on the unit itself.
- The appliance shall be stored in a room without continuously operating open flames (for example an operating gas appliance) and ignition sources (for example an operating electric heater).

**Transport of equipment containing flammable refrigerants:** See transport regulations.

**Marking of equipment using signs:** See local regulations.

**Disposal of equipment using flammable refrigerants:** See national regulations.

**Storage of equipment / appliances:** The storage of equipment should be in accordance with the manufacturer's instructions.

**Storage of packed (unsold) equipment:** Storage package protection should be constructed such that the mechanical damage to the equipment inside the package will not cause a leak of the refrigerant charge. The maximum number of pieces of equipment permitted to be stored together will be determined by local regulations.

**SAVE THESE INSTRUCTIONS!**



## Important Safety Information

### READ AND FOLLOW ALL SAFETY INSTRUCTIONS



#### Information on servicing

- 1. Checks to the area:** Prior to beginning work on systems containing flammable refrigerants, safety checks are necessary to ensure that the risk of ignition is minimized. For repair to the refrigerating system, the following precautions shall be complied with prior to conducting work on the system.
- 2. Work procedure:** Work shall be undertaken under a controlled procedure so as to minimize the risk of a flammable gas or vapour being present while the work is being performed.
- 3. General work area:** All maintenance staff and others working in the local area shall be instructed on the nature of work being carried out. Work in confined spaces shall be avoided. The area around the work space shall be sectioned off. Ensure that the conditions within the work area have been made safe by removing all flammable material.
- 4. Checking for the presence of refrigerant:** The area shall be checked with an appropriate refrigerant detector prior to and during work to ensure the technician is aware of potentially flammable atmospheres. Ensure that the leak detection equipment being used is suitable for use with flammable refrigerants, i.e. non-sparking, adequately sealed and intrinsically safe.
- 5. Presence of fire extinguisher:** If any hot work is to be conducted on the refrigeration equipment or any associated parts, appropriate fire extinguishing equipment shall be available to hand. Have a dry powder or CO<sub>2</sub> fire extinguisher adjacent to the work area.
- 6. No ignition sources:** No person carrying out work in relation to a refrigeration system which involves exposing any pipe work that contains or has contained flammable refrigerant shall use any sources of ignition in such a manner that it may lead to risk of fire or explosion. All possible ignition sources including cigarette smoking, should be kept sufficiently far away from the site of installation, repairing, removing and disposal during which flammable refrigerant can possibly be released to the surrounding space. Prior to work taking place, the area around the equipment is to be surveyed to make sure there are no flammable hazards or ignition risks. No smoking signs shall be displayed.
- 7. Ventilated area:** Ensure that the area is in the open or that it is adequately ventilated before breaking into the system or conducting any hot work. A degree of ventilation shall continue during the period that the work is carried out. The ventilation should safely disperse any released refrigerant and preferably expel it externally into the atmosphere.
- 8. Checks to the refrigeration equipment:** Where electrical components are being changed, they shall be fit for the purpose and to the correct specification. At all times the manufacturer's maintenance and service guidelines shall be followed. If in doubt consult the manufacturer's technical department for assistance. The following checks shall be applied to installations using flammable refrigerants:
  - The charge size is in accordance with the room size within which the refrigerant containing parts are installed.
  - The ventilation machinery and outlets are operating adequately and are not obstructed.
  - If an indirect refrigerating circuit is being used, the secondary circuit shall be checked for the presence of refrigerant.
  - Marking to the equipment continues to be visible and legible. Markings and signs that become illegible must be corrected.
  - Refrigeration pipe or components are installed in a position where they are unlikely to be exposed to any substance which may corrode refrigerant containing components, unless the components are constructed of materials which are inherently resistant to being corroded or are suitable protected against being corroded.
- 9. Checks to electrical devices:** Repair and maintenance to electrical components shall include initial safety checks and component inspection procedures. If a fault exists that could compromise safety, then no electrical supply shall be connected to the circuit until it is satisfactorily dealt with. If the fault cannot be corrected immediately but it is necessary to continue operation, an adequate temporary solution shall be used. This shall be reported to the owner of the equipment so all parties are advised. Initial safety checks shall include:
  - That capacitors are discharged. This shall be done in a safe manner to avoid possibility of sparking.
  - That no live electrical components and wiring are exposed while charging, recovering or purging the system.
  - That there is continuity of earth bonding.

**SAVE THESE INSTRUCTIONS!**



## **Important Safety Information** **READ AND FOLLOW ALL SAFETY INSTRUCTIONS**



### **Sealed electrical components shall be replaced**

1. During repairs to sealed components, all electrical supplies shall be disconnected from the equipment being worked upon prior to any removal of sealed covers, etc. If it is absolutely necessary to have an electrical supply to equipment during servicing then a permanently operating form of leak detection shall be located at the most critical point to warn of a potentially hazardous situation.
2. To ensure that by working on electrical components the casing is not altered in such a way that the level of protection is affected, particular attention shall be paid to the following:
  - Damage to cables, excessive number of connections, terminals not made to original specification, damage to seals, incorrect fitting of glands, etc.
  - Ensure the apparatus is mounted securely.
  - Ensure that seals or sealing materials have not degraded such that they no longer serve the purpose of preventing the ingress of flammable atmospheres. Replacement parts shall be in accordance with the manufacturer's specifications.

Note: The use of silicon sealant may inhibit the effectiveness of some types of leak detection equipment. Intrinsically safe components do not have to be isolated prior to working on them.

### **Intrinsically safe components must be replaced**

Do not apply any permanent inductive or capacitance loads to the circuit without ensuring that this will not exceed the permissible voltage and current permitted for the equipment in use. Intrinsically safe components are the only types that can be worked on while live in the presence of a flammable atmosphere. The test apparatus shall be at the correct rating. Replace components only with parts specified by the manufacturer. Other parts may result in the ignition of refrigerant in the atmosphere from a leak.

### **Cabling**

Check that cabling will not be subject to wear, corrosion, excessive pressure, vibration, sharp edges or any other adverse environmental effects. The check shall also take into account the effects of aging or continual vibration from sources such as compressors or fans.

### **Detection of flammable refrigerants**

Under no circumstances shall potential sources of ignition be used in the searching for or detection of refrigerant leaks. A halide torch or any other detector using a naked flame shall not be used. The following leak detection methods are deemed acceptable for systems containing flammable refrigerants. Electronic leak detectors shall be used to detect flammable refrigerants, however the sensitivity may not be adequate, or may need re-calibration (Detection equipment shall be calibrated in a refrigerant-free area). Ensure that the detector is not a potential source of ignition and is suitable for the refrigerant used.

**SAVE THESE INSTRUCTIONS!**



## **Important Safety Information**

### **READ AND FOLLOW ALL SAFETY INSTRUCTIONS**



#### **Leak detection methods**

The following leak detection methods are deemed acceptable for systems containing flammable refrigerants:

- Electronic leak detectors shall be used to detect flammable refrigerants but the sensitivity may not be adequate or may need recalibration. Detection equipment shall be calibrated in a refrigerant-free area. Ensure that the detector is not a potential source of ignition and is suitable for the refrigerant used.
- Leak detection equipment shall be set at a percentage of the LFL of the refrigerant and shall be calibrated to the refrigerant employed and the appropriate percentage of gas (25% maximum) is confirmed.
- Leak detection fluids are suitable for use with most refrigerants but the use of detergents containing chlorine shall be avoided as the chlorine may react with the refrigerant and corrode the copper or pipe-work.
- If a leak is suspected, all naked flames shall be removed or extinguished.
- If a leakage of refrigerant is found which requires brazing, all of the refrigerant shall be recovered from the system or isolated by means of shut off valves in a part of the system remote from the leak. Oxygen free nitrogen (OFN) shall then be purged through the system both before and during the brazing process.

#### **Removal and evacuation**

When breaking into the refrigerant circuit to make repairs or for any other purpose conventional procedures shall be used. However, it is important that the best practice is followed since flammability is a consideration. The following procedures shall be adhered to:

- Safely remove refrigerant following local and national regulations;
- Evacuate;
- Purge the circuit with inert gas (optional for A2L);
- Evacuate (optional for A2L);
- Continuously flush or purge with inert gas when using flame to open circuit; and
- Open the circuit

The refrigerant charge shall be recovered into the correct recovery cylinders if venting is not allowed by local and national codes. For appliances containing flammable refrigerants, the system shall be purged with oxygen-free non-flammable refrigerants. This process might need to be repeated several times. Compressed air or oxygen shall not be used for purging refrigerant systems.

For appliances containing flammable refrigerants, refrigerants purging shall be achieved by breaking the vacuum in the system with oxygen-free nitrogen and continuing to fill until the working pressure is achieved, then venting to atmosphere, and finally pulling down to a vacuum (optional for A2L). This process shall be repeated until no refrigerant is within the system (optional for A2L). When the final oxygen-free nitrogen charge is used, the system shall be vented down to atmospheric pressure to enable work to take place.

The outlet for the vacuum pump shall not be close to any potential ignition sources, and ventilation shall be available.

**SAVE THESE INSTRUCTIONS!**



## Important Safety Information

### READ AND FOLLOW ALL SAFETY INSTRUCTIONS



### Charging procedures

In addition to conventional charging procedures, the following requirements shall be followed:

- Ensure that contamination of different refrigerants does not occur when using charging equipment. Hoses or lines shall be as short as possible to minimize the amount of refrigerant contained in them.
- Cylinders shall be kept upright.
- Ensure that the refrigeration system is earthed prior to charging the system with refrigerant.
- Label the system when charging is complete, if not already labeled.
- Extreme care shall be taken not to overfill the refrigeration system.
- Prior to recharging the system it shall be pressure tested with OFN. The system shall be leak tested on completion of charging but prior to commissioning. A follow up leak test shall be carried out prior to leaving the site.

### Decommissioning

Before carrying out this procedure, it is essential that the technician is completely familiar with the equipment in all its detail. It is recommended good practice that all refrigerants are recovered safely. Prior to the task being carried out, an oil and refrigerant sample shall be taken in case analysis is required prior to re-use of reclaimed refrigerant. It is essential that electrical power is available before the task is commenced.

- A. Become familiar with the equipment and its operation.
- B. Isolate system electrically.
- C. Before attempting the procedure ensure that:
  - Mechanical handling equipment is available if required for handling refrigerant cylinders.
  - All personal protective equipment is available and being used correctly.
  - The recovery process is supervised at all times by a competent person.
  - Recovery equipment and cylinders conform to the appropriate standards.
- D. Pump down refrigerant system, if possible.
- E. If a vacuum is not possible, make a manifold so that refrigerant can be removed from various parts of the system.
- F. Make sure that cylinder is situated on the scales before recovery takes place.
- G. Start the recovery machine and operate in accordance with the manufacturer's instructions.
- H. Do not overfill cylinders. No more than 80% volume liquid charge.
- I. Do not exceed the maximum working pressure of the cylinder, even temporarily.
- J. When the cylinders have been filled correctly and the process is completed, make sure that the cylinders and the equipment are removed from the site promptly and all isolation valves on the equipment are closed off.
- K. Recovered refrigerant shall not be charged into another refrigeration system unless it has been cleaned and checked.

**SAVE THESE INSTRUCTIONS!**



## Important Safety Information

### READ AND FOLLOW ALL SAFETY INSTRUCTIONS



### Labeling

Equipment shall be labeled stating that it has been decommissioned and emptied of refrigerant. The label shall be dated and signed. Ensure that there are labels on the equipment stating the equipment contains flammable refrigerant.

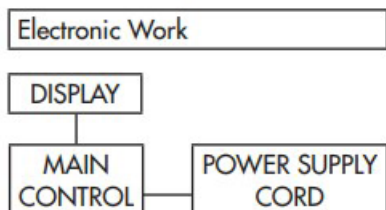
### Recovery

When removing refrigerant from a system, either for servicing or decommissioning, it is recommended good practice that all refrigerants are removed safely.

When transferring refrigerant into cylinders, ensure that only appropriate refrigerant recovery cylinders are employed. Ensure that the correct number of cylinders for holding the total system charge are available. All cylinders to be used are designed for the recovered refrigerant and labeled for that refrigerant, i.e. special cylinders for the recovery of refrigerant. Cylinders shall be complete with pressure relief valve and associated shut-off valves in good working order. Empty recovery cylinders are evacuated and, if possible, cooled before recovery occurs.

The recovery equipment shall be in good working order with a set of instructions concerning the equipment that is at hand and shall be suitable for the recovery of flammable refrigerants. In addition, a set of calibrated weighing scales shall be available and in good working order. Hoses shall be complete with leak-free disconnect couplings and in good condition. Before using the recovery machine, check that it is in satisfactory working order, has been properly maintained and that any associated electrical components are sealed to prevent ignition in the event of a refrigerant leak. Consult the manufacturer if in doubt.

The recovered refrigerant shall be returned to the refrigerant supplier in the correct recovery cylinder and the relevant waste transfer note shall be arranged. Do not mix refrigerants in recovery units and especially not in cylinders. If compressors or compressor oils are to be removed, ensure that they have been evacuated to an acceptable level to make certain that flammable refrigerant does not remain within the lubricant. The evacuation process shall be carried out prior to returning the compressor to the suppliers. Only electric heating to the compressor body shall be employed to accelerate this process. When oil is drained from a system, it shall be carried out safely.



**WARNING:** Before performing any electrical or wiring work, turn off the main power to the system.

Note: The cognographs are for explanation purposes only. Your appliance may be slightly different. The actual shape shall prevail.

**SAVE THESE INSTRUCTIONS!**

# INSTALLATION INSTRUCTIONS

## LOCATION

This air conditioner is designed for single or double hung windows. Since window designs vary, it may be necessary to make some modifications for safe installation.

This air conditioner is not designed for vertical, slider type windows or "through the wall" installation.

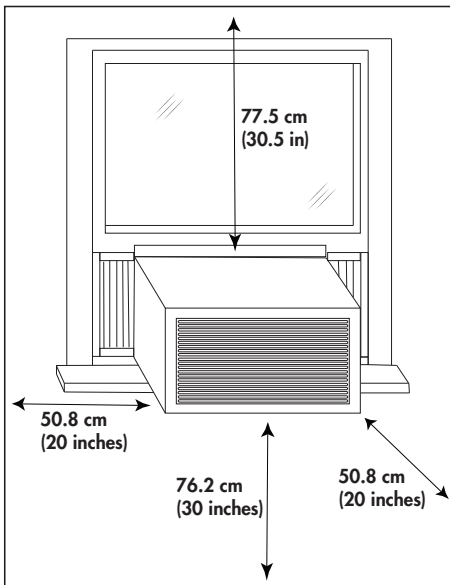
Ensure that the window and frame are structurally sound and free from dry or rotted wood.

Install the air conditioner in a window on a side of the building which favors more shade than sunlight. If the appliance must be in direct sunlight, it is advisable to provide a shade awning over the appliance to ensure efficient functioning.

Do not install the appliance where leakage of combustible gas is suspected.

This appliance is designed to evaporate condensation under normal conditions. Under extremely hot or humid conditions, excess condensation may overflow to the outside. The appliance should be installed where condensation cannot drip on pedestrians or neighboring properties.

Provide sufficient clearance around the appliance to allow ample air circulation. The rear of the appliance should be outdoors, it should not be in a garage or another room. Keep the appliance away from obstacles and at least 76 cm (30 inches) above the ground. Ensure that curtains and other obstructions do not block air flow to the appliance.



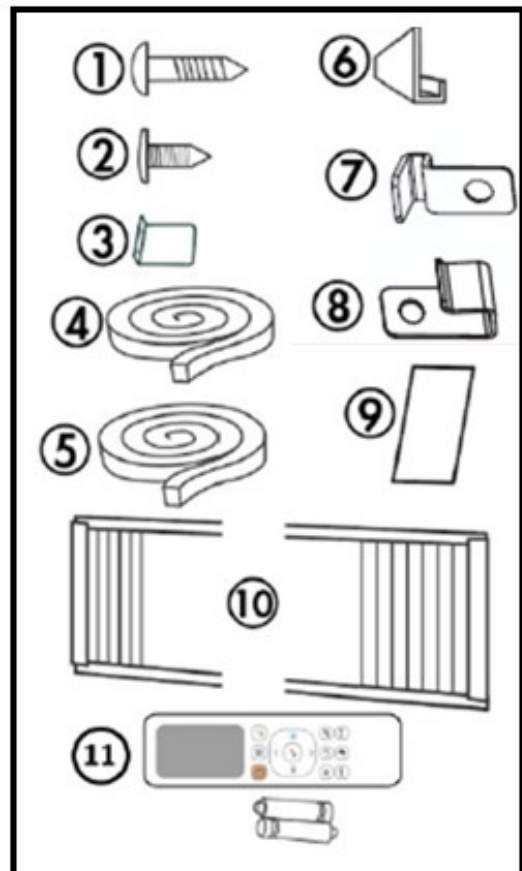
## REQUIRED TOOLS

- Screwdrivers: Phillips and flat head.
- Power Drill: 3.2mm (1/8") diameter drill bit
- Pencil
- Measuring Tape
- Scissors
- Carpenter's Level

## ACCESSORIES

The following accessories are included with the appliance and should be used during the installation.

1. 13 mm (1/2 inch) screws (x7)
2. 9.5 mm (3/8 inch) screws (x4)
3. Safety Lock
4. Adhesive foam seal
5. Regular foam seal
6. "L" shaped mounting bracket
7. Bracket for wood windows (x2)
8. Bracket for vinyl windows (x2)
9. Weather stripping (x5)
10. Side curtains (x2)
11. Remote control and batteries



# INSTALLATION INSTRUCTIONS

## INSTALLATION

Attach the side curtains to the appliance by sliding the curtain frame into the side channel of the cabinet. The curtains are labeled "left" and "right" on the frames. This refers to the left and right sides of the appliance when facing the front of the appliance.

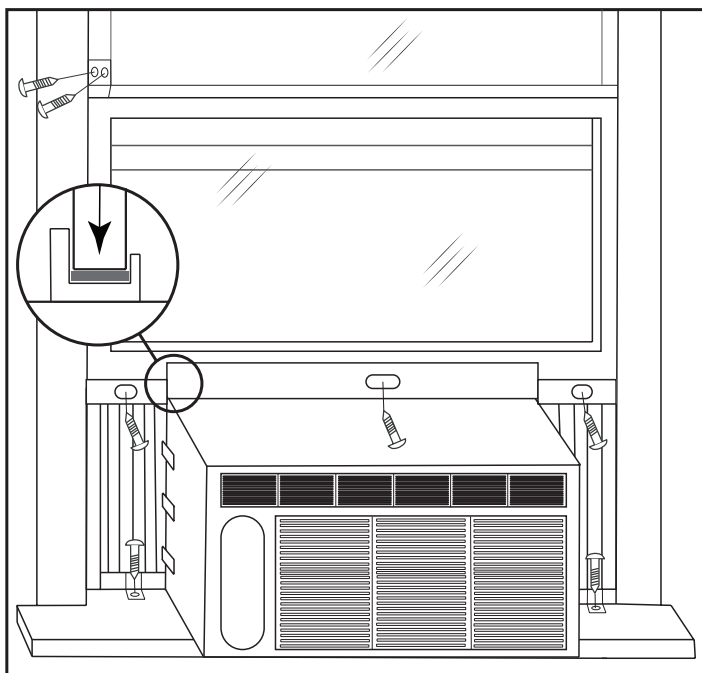
Cut the regular foam seal to fit the area of the window sill that the air conditioner will rest on.

Place the air conditioner into the window with the "L" shaped mounting bracket positioned in front of the upper sash. The bottom of the cabinet should be positioned on the recessed portion of the window frame. Pull the upper window sash down until it rests just behind the front flange of the "L" shaped mounting bracket.

Expand the side curtains on each side and secure the top of the frames to the window sash using one 13 mm (1/2") screw on each side of the "L" shaped mounting bracket.

Attach the clamps on the lower part of each curtain to the window sill using one 13 mm (1/2") screw on each side of the cabinet.

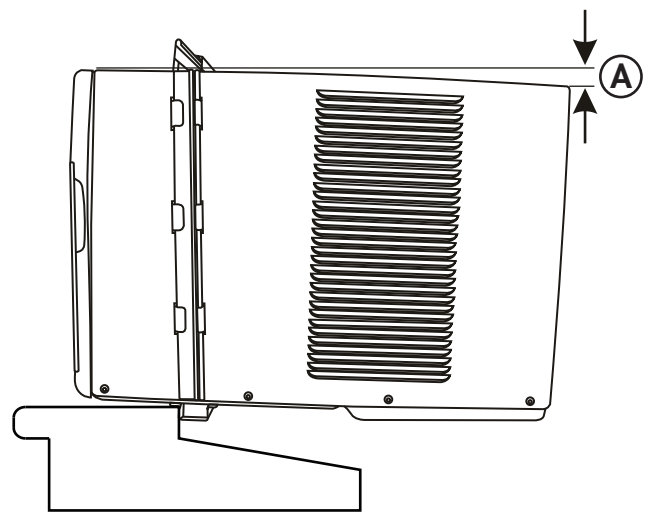
Place the adhesive foam seal into the opening between the inside and outside windows and attached the safety lock to the outside window frame using two 13 mm (1/2") screws.



## CHECK THE TILT ANGLE

The air conditioner should be tilted downward towards the outside approximately  $3^{\circ}$  to  $4^{\circ}$ . This tilt will encourage any condensed water to drain to the outside. If any condensed water leaks to the inside of the house, check the tilt angle and adjust as necessary.

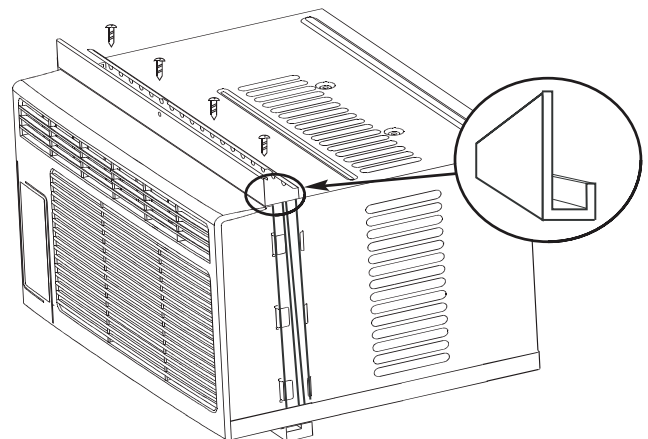
Measure the tilt angle from the front of the cabinet's edge. The difference in height between the front and the back of the appliance, labeled "A" on the image below, should be approximately  $3 - 4^{\circ}$ .



## L BRACKET

The "L" shaped bracket may come factory installed on some models.

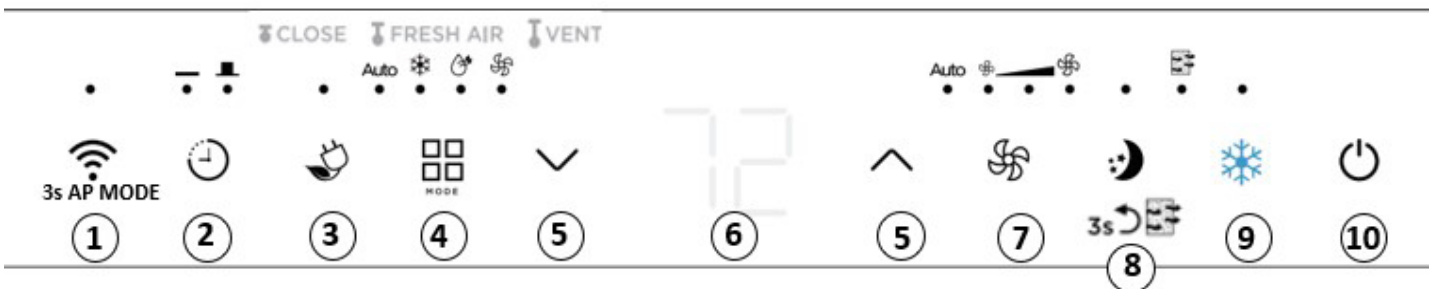
If the "L" shaped bracket is not pre-installed, attach it to the top of the cabinet as shown below using the provided 9.5 mm (3/8") screws (x4).



# OPERATING INSTRUCTIONS

## CONTROL PANEL

- 1. Wireless connect button:** Used to connect to a wireless network, press and hold the button 3 seconds to activate AP mode.
- 2. Timer Button:** Used to set the auto on and auto off timer.
- 3. Energy Saver Button:** Used to set the energy saver function
- 4. Mode Button:** Used to choose the operating mode.
- 5. Temperature Control Button:** Used to adjust the set temperature in 1° increments and the timer function in 30 minute increments up to 10 hours and then in 1 hour increments up to 24 hours.
- 6. Display Panel:** Displays the set temperature, the ambient temperature and the timer settings. To change the temperature scale being displayed, press the temperature control buttons at the same time for 3 seconds.
- 7. Fan Button:** Used to set the fan speed. The fan can be set to Low, Medium, High and Auto.
- 8. Sleep Button:** Used to set the Sleep function.
  - The filter indicator light will illuminate after 250 hours of operation as a reminder to check the filter. Once the filter has been cleaned, press and hold the sleep button for 3 seconds to resume operation and the light will go off.
- 9. FlashCool:** Used to start the FlashCool function.
- 10. Power Button:** Used to turn the appliance on or off.



# OPERATING INSTRUCTIONS

## OPERATING MODES

Press the mode button repeatedly to choose the desired mode. The adjacent indicator light will illuminate to show which mode has been selected.

- **Cool Mode**

Choose cool mode to set the cooling function. Use the temperature control buttons to choose the desired temperature. When cool mode is selected, the fan speed can be adjusted by pressing the fan button.

- **Dry Mode**

Choose dry mode to remove excess moisture from the air during periods of high humidity. All water pulled from the air will condense inside the appliance and drain out the back. The fan speed will be automatically set and cannot be modified in dry mode.

- **Fan Mode**

Choose fan mode to run the internal fan without engaging the cooling function. Press the fan button repeatedly to choose the fan speed.

- **Auto Mode**

Auto mode is a pre-set factory program that automatically defines the mode and fan speed based on the set temperature, the ambient temperature and the ambient humidity.

In Auto mode the fan speed is a default setting that can not be changed.

- **FlashCool**

FlashCool provides maximum cooling and sets the fan to the highest speed.

**Note:**

The FlashCool function can be cancelled by changing the mode or fan speed. The appliance will then return to setting operation.

- **Wireless connection**

Press and hold the wireless button on the control panel for 3 seconds to activate wireless/AP mode. "AP" will show on the display when the appliance is in wireless connection mode. Alternately, you can activate the wireless feature from the remote control.

Press and hold the wireless button and the temperature decrease button for 3 seconds to turn off wireless connection mode.

This air conditioner can be controlled with a wireless application on your wireless device. Reference the wireless manual included in the accessory bag for more information or you can visit <https://www.danby.com/support/#apps> to download the application and learn about its operation.

- **Temperature Display**

The temperature range for this appliance is approximately 16 ~ 30°C (60 ~ 86°F). Press and hold the temperature control buttons at the same time to change the temperature display between °C and °F.

## DISPLAY

The display shows the set temperature in °C or °F and the Auto-timer settings. While on Fan only mode, the display will show the room temperature.

**Note:**

The Cool circuit has an automatic 3 minute time delay start if the appliance is turned off and on quickly. This prevents overheating of the compressor and possible circuit breaker tripping. The fan will continue to run during this time.

# OPERATING INSTRUCTIONS

## AIR DIRECTION

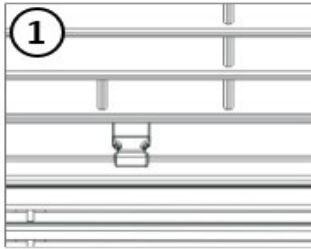
The louvers will allow you to direct the air flow Up or Down and from Left or Right through the room as needed.

1. Pivot the louver section Up/Down until the desired direction is obtained.
2. Move the lever(s) from side to side until the desired Left/Right direction is obtained.

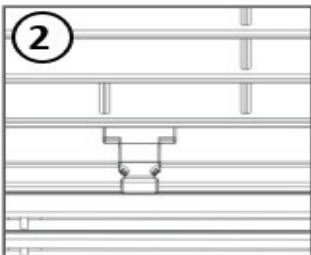
## Fresh Air Vent Control

The Fresh Air Vent allows the air conditioner to

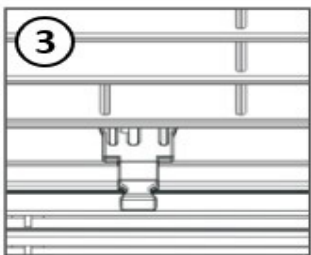
1. Recirculate inside air - Vent Closed



2. Draw fresh air into the room - Vent Open



3. Exchange air from the room and draws fresh air into the room - Vent and Exhaust Open



### Note:

The images are displayed on the control panel above the modes. This feature is operated manually.

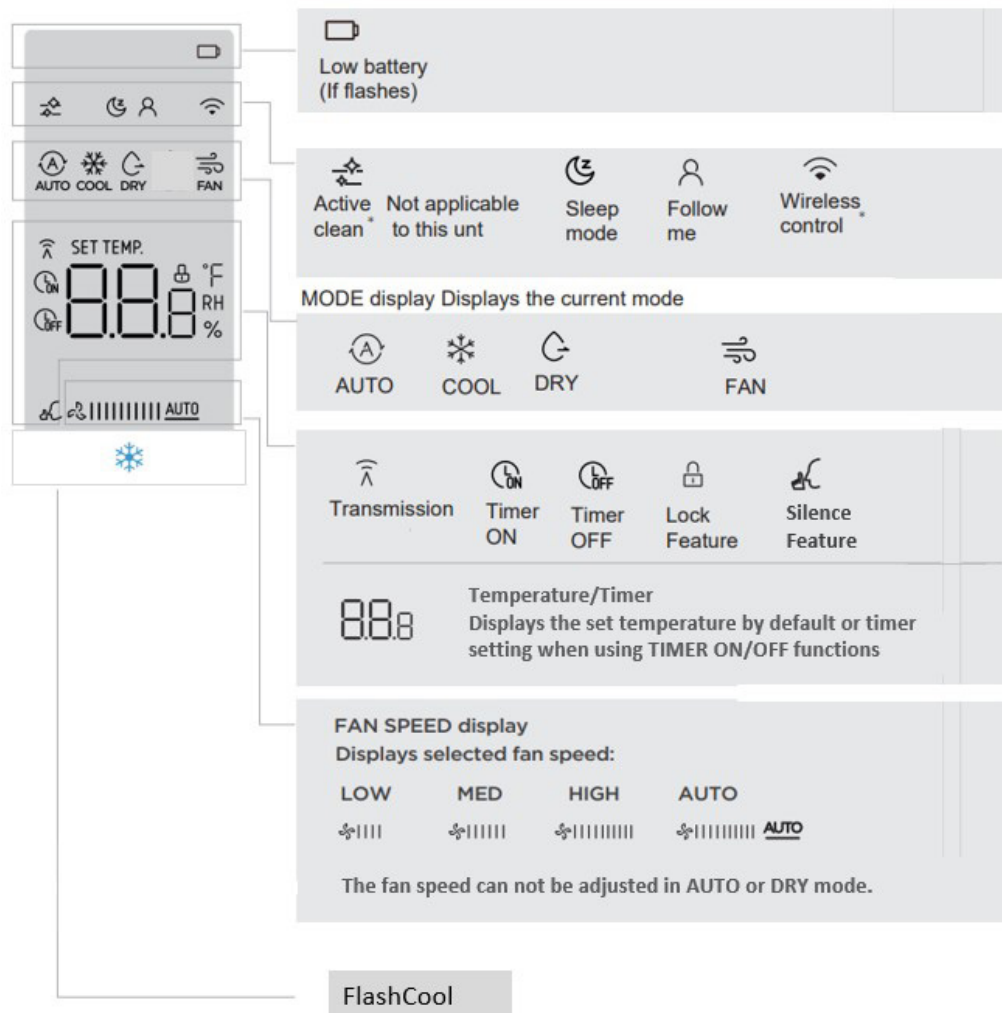
## REMOTE CONTROL



1. **Display Panel:** Displays the set temperature and the timer settings. To change the temperature scale being displayed, press the °C/°F button.
2. **Power Button:** Used to turn the appliance on or off.
3. **Mode Button:** Used to choose the operating mode.
4. **Energy Saver Button:** Used to activate Energy saving mode. Press again to stop the function.
5. **Up Arrow:** Used to adjust the set temperature in 1° increments and the timer function in 30 minute increments up to 10 hours and then in 1 hour increments up to 24 hours.
6. **Down Arrow:** Used to adjust the set temperature in 1° increments and the timer function in 30 minute increments up to 10 hours and then in 1 hour increments up to 24 hours.
7. **Set:** Used to scroll through operation functions. The symbol will flash in the display, press ✓ to confirm selection.
8. **✓:** Used to confirm selected function.
9. **FlashCool:** Enables unit to reach preset temperature in shortest possible time. Can only be activated by the remote control when in Cool mode.
10. **Fan Speed:** Used to set speed of the fan. Four speeds available - AUTO, LOW, MEDIUM, HIGH. Press and hold the fan speed button for 3 seconds to activate "Silence" mode.
11. **Timer On Button:** Used to set the auto on timer.
12. **Timer Off Button:** Used to set the auto off timer.
13. **LED Button:** Used to turn the appliance LED display and air conditioner buzzer on and off.
14. **Sleep button:** Used to save energy during sleeping hours.
15. **°C/°F button:** Use to change the temperature scale.

# OPERATING INSTRUCTIONS

## REMOTE SCREEN INDICATORS



### SLEEP

The sleep function can be used to conserve energy during sleeping hours.

When selected, the set temperature will increase by 1°C/2°F every half hour for one full hour. The appliance will hold the new set temperature for 6 hours before automatically returning to normal operation.

The Sleep Function can be canceled at any time by pressing the Sleep Button.

### Note:

The Sleep function is not available in Fan or Dry mode.

# OPERATING INSTRUCTIONS

## REMOTE SCREEN INDICATORS

### FOLLOW ME

There is a temperature sensor built into the remote control that will monitor the room temperature. Keep the remote control with you and the appliance will automatically adjust the set temperature based on the temperature where you are located.

The remote will display the temperature at its location. The remote will send a signal to the air conditioner every 3 minutes, so long as you remain within range of the appliance.

The follow me light on the control panel will illuminate for 5 seconds every 3 minutes to indicate that it has received a signal from the remote. If the appliance does not receive a signal from the remote during any 7 minute interval it will beep to indicate that the follow me mode has ended.

The maximum distance for the follow me feature is 8 meters (26 feet). This feature is available in cool and auto modes.

#### Note:

The Follow Me function is available in Cool and Auto mode.

### LOCK

The Lock function will lock all of the buttons on the remote to prevent accidental changes.

Press the LED and °C/°F buttons at the same time and hold for a minimum of 5 seconds.

#### Note:

The Lock function can be cancelled by pressing the LED and °C/°F buttons at the same time for 2 seconds.

### SILENCE FEATURE

This feature can only be active by remote control. Press and hold the fan button on the remote control for 3 second to active silence feature.

## TIMER

### Auto Off

1. When the air conditioner is turned on, press the timer button to activate the auto off timer.
2. Press the temperature control buttons to change the set time in 0.5 hour increments up to 10 hours and then in 1 hour increments up to 24 hours.

### Auto On

1. When the air conditioner is turned off, press the timer button to activate the auto on timer.
2. Press the temperature control buttons to change the set time in 0.5 hour increments up to 10 hours and then in 1 hour increments up to 24 hours.

## OPERATING INSTRUCTIONS

### Using Auto On and Auto Off Together

The auto on and auto off timers can be used at the same time by first setting one and then the other.

For example, if the air conditioner is running, you can set the auto off timer to let it run for a set amount of time before turning off and then set the auto on timer to turn it back on at a later time.

Or, if the air conditioner is not running, you can set the auto on timer to turn it on at a later time and then set the auto off timer to shut it off after running for a period of time.

**Note:** The timer will not cycle the air conditioner on and off indefinitely. The auto on and auto off timers will function one time and then the air conditioner will return to regular functioning.

Turning the air conditioner on or off at any time or changing the timer setting to 0.0 will cancel the timer settings.

### Note:

The Auto-On and Auto-Off timers are separate functions which do not work in conjunction with each other. Setting the Auto-On or Auto-Off will start the internal timer which determines when the function will engage.

Setting the Auto-On timer for 1 hour followed by setting the Auto-Off timer for 2 hours results in the air conditioner turning on 1 hour from the current time and turning off 2 hours from the current time resulting in a total of 1 hour of activity. Setting the Auto-Off timer for 1 hour followed by setting the Auto-On timer for 2 hours will result in 1 hour of inactivity.

### REMOTE CONTROL BATTERIES

The remote control requires two AAA alkaline batteries (included). Batteries should be replaced when:

a) The appliance will beep when the remote signal is received.

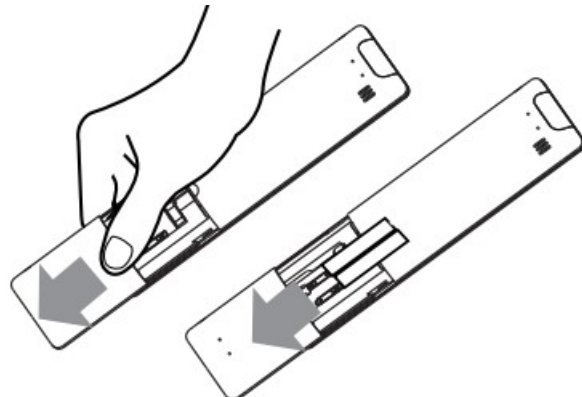
b) Curtains, other materials and direct sunlight can interfere with the infrared signal receiver.

### Battery replacement:

1. Slide the rear cover on the remote in the direction of the arrow.
2. Insert two AAA batteries following the same orientation depicted inside the battery chamber (+/-).
3. Reinstall the rear cover.
4. If the remote control will not be used for extended periods of time, the batteries should be removed.

### Notes:

- Protect the remote control from high temperatures, and keep it away from radiation exposure.
- Keep the control panel receiver out of direct sunlight.
- Do not mix old and new batteries.
- Do not mix alkaline, standard (carbon-zinc), or rechargeable (ni-cad, ni-mh, etc) batteries. Clean the battery contacts and also those of the device prior to the battery installation. Remove used batteries promptly.
- The remote operates within a range of 8 meters (26 ft.) from the receiver located inside the main appliance. Any obstruction between the receiver and remote may cause signal interference, limiting the ability to program the main unit.



# OPERATING INSTRUCTIONS

## REMOTE CONTROL REGULATIONS

This equipment has been tested and found to comply with the limits for a Class B digital device, pursuant to Part 15 of the FCC Rules. These limits are designed to provide reasonable protection against harmful interference in a residential installation. This equipment generates, uses and can radiate radio frequency energy and, if not installed and used in accordance with the instructions, may cause harmful interference to radio communications. However, there is no guarantee that interference will not occur in a particular installation.

If this equipment does cause harmful interference to radio or television reception, which can be determined by turning the equipment off and on, the user is encouraged to try to correct the interference by one or more of the following measures:

1. Reorient or relocate the receiving antenna
2. Increase the separation between the equipment and receiver
3. Connect the equipment into an outlet on a circuit different from that to which the receiver is connected
4. Consult the dealer or an experienced radio/TV technician for help
5. Changes or modifications not approved by the party responsible for FCC and Industry Canada compliance could void the user's authority to operate the equipment.

This appliance complies with Part 15 of the FCC Rules. Operation is subject to the following conditions:

1. This device may not cause interference.
2. This device must accept any interference received, including interference that may cause undesired operation.

This device complies with Canadian CAN ICES-003(B)/NMB-003(B)

## SUPPLIER'S DECLARATION OF CONFORMITY

47 CFR § 2.1077 Compliance Information

**Unique Identifier:** Danby, RG10G5(D2)/BGCEFU1

**Responsible Party U.S. Contact Information:**

Danby Products Inc.

1800 Production Drive

Findlay, OH

45840

**Telephone number or internet contact information:** Danby.com

**FCC Compliance Statement:** This appliance complies with Part 15 of the FCC Rules. Operation is subject to the following conditions:

1. This device may not cause interference.
2. This device must accept any interference received, including interference that may cause undesired operation.

## CARE & MAINTENANCE

### AIR FILTER

The air filter should be cleaned approximately every 4 weeks. The air filter may require more frequent cleaning if there is significant dander or fur in the air.

Approximately every four weeks, the filter indicator light on the control panel will illuminate as a reminder to clean the filter. Follow the steps below to clean the filter and return the appliance to normal functioning.

1. Push the vent handle to the Vent Closed position.
2. The air filter is located behind the front intake grill. To remove the air filter, grasp the grille on both sides and gently pull forward and then remove the filter by pulling it up and out.
3. Use a vacuum cleaner with a soft brush attachment to remove any large debris or dust build up from the air filter.
4. Wash the filter in lukewarm, soapy water, below 40°C (104°F), or use a neutral cleaning agent.
5. Rinse the filter with clean water and dry thoroughly before reinstalling in the appliance.
6. Press the filter button on the control panel to resume normal functioning.

**Note:**

Do not operate the appliance without the air filter installed.

### ERROR CODES

LO - Room temperature is lower than 0°C (32°F)  
HI - Room temperature is higher than 37°C (99°F)

### CLEANING

To avoid possible electric shock, ensure that the appliance is unplugged before performing any cleaning or maintenance.

The outside of the appliance can be wiped clean with a soft cloth or with a lukewarm, damp cloth if necessary.

Do not use gasoline, benzene, thinner or any other chemicals to clean this appliance as these substances can cause damage to the finish and deformation of plastic parts.

Never pour water directly onto the appliance as this will cause deterioration of electrical components and wiring insulation.

### END OF SEASON CARE

Before removing the appliance from service for the year, operate the appliance on high fan mode for half a day to ensure the inside of the appliance is dry. This will help avoid the growth of mold or mildew inside the appliance. Ensure the filter is clean and dry. Store the appliance covered in a dry location.

**Note:**

When installing or removing the appliance from the window, ensure that caution is taken to prevent it from falling backward. It is recommended that installation or removal is completed with assistance to prevent injury to persons or damage to property or the appliance.

### DISPOSAL

Check for local regulatory compliance regarding approved and safe disposal of this appliance.

## FREQUENTLY ASKED QUESTIONS

### Can I leave my air conditioner in place through the winter?

No, do not leave the air conditioner in the window during the winter.

### What is the electrical rating?

This information can be found on the rating plate located on the side of the unit.

### Can I use an extension cord?

No, an extension cord may not be used.

### Is there supposed to be Styrofoam in the unit?

The Styrofoam that is inside the unit acts as insulation. Do not remove it. Only remove loose packaging.

### Why do I hear water in the unit?

Water is collected during the air conditioning process and will drain out of the unit and onto the ground. This why the unit should be installed on a slight downward tilt towards the outside.

### Why is there frost building up in the unit?

When outdoor temperatures are below 18.3°C (65°F) frost may form when the air conditioner is in cooling mode. Switch the air conditioner to fan only mode until the frost melts.

## TROUBLESHOOTING

### Air conditioner will not operate

- Plug is not fully inserted into the wall outlet.
- Blown fuse or circuit breaker.
- Plug Current Device tripped
  - Press RESET button on plug

### Insufficient cooling

- Air filter is dirty.
- Blocked air flow.
- Room temperature is below 16 °C (60°F).
- Appliance size is too small for application.

### Noise

- Inadequate support in window installation; double check that all screws are tight and the installation is secure.
- The air filter is dirty or blocked.
- Gurgling sounds are normal, this is coolant moving inside the appliance.

### Water dripping inside

- Appliance is not properly angled to allow water to drain to the outside

### Water dripping outside

- On very hot or humid days dripping water from the back of the appliance is normal

### Odors

- Usually caused by the formation of mold or mildew on internal wet surfaces.
- Ensure the filter is clean.
- Run the air conditioner on fan mode to remove any internal moisture.



# LIMITED IN-HOME APPLIANCE WARRANTY



This quality product is warranted to be free from manufacturer's defects in material and workmanship, provided that the unit is used under the normal operating conditions intended by the manufacturer.

This warranty is available only to the person to whom the unit was originally sold by Danby Products Limited (Canada) or Danby Products Inc. (U.S.A.) (hereafter "Danby") or by an authorized distributor of Danby, and is non-transferable.

### TERMS OF WARRANTY

Plastic parts, are warranted for thirty (30) days only from purchase date, with no extensions provided.

*First Year* During the first twelve (12) months, any functional parts of this product found to be defective, will be repaired or replaced, at warrantor's option, at no charge to the ORIGINAL purchaser.

*To obtain Service* Danby reserves the right to limit the boundaries of "In Home Service" to the proximity of an Authorized Service Depot. Any appliance requiring service outside the limited boundaries of "In Home Service" ,it will be the consumer's responsibility to transport the appliance (at their own expense) to a service depot for repair. See "Boundaries of In Home Service" below. Contact your nearest authorized Danby service depot, where service must be performed by a qualified service technician. If service is performed on the units by anyone other than an authorized service depot, or the unit is used for commercial application, all obligations of Danby under this warranty shall be void.

*Boundaries of In Home Service* If the appliance is installed in a location that is 100 kilometers (62 miles) or more from the nearest service center your unit must be delivered to the nearest authorized Danby Service Depot, as service must only be performed by a technician qualified and certified for warranty service by Danby. Transportation charges to and from the service location are not protected by this warranty and are the purchaser.

Nothing within this warranty shall imply that Danby will be responsible or liable for any spoilage or damage to food or other contents of this appliance, whether due to any defect of the appliance, or its use, whether proper or improper.

### EXCLUSIONS

Save as herein provided, Danby, there are no other warranties, conditions, representations or guarantees, express or implied, made or intended by Danby or its authorized distributors and all other warranties, conditions, representations or guarantees, including any warranties, conditions, representations or guarantees under any Sale of Goods Act or like legislation or statute is hereby expressly excluded. Save as herein provided, Danby shall not be responsible for any damages to persons or property, including the unit itself, howsoever caused or any consequential damages arising from the malfunction of the unit and by the purchase of the unit, the purchaser does hereby agree to indemnify and hold harmless Danby from any claim for damages to persons or property caused by the unit.

### GENERAL PROVISIONS

No warranty or insurance herein contained or set out shall apply when damage or repair is caused by any of the following:

- 1) Power failure.
- 2) Damage in transit or when moving the appliance.
- 3) Improper power supply such as low voltage, defective house wiring or inadequate fuses.
- 4) Accident, alteration, abuse or misuse of the appliance such as inadequate air circulation in the room or abnormal operating conditions (extremely high or low room temperature).
- 5) Use for commercial or industrial purposes (ie. If the appliance is not installed in a domestic residence).
- 6) Fire, water damage, theft, war, riot, hostility, acts of God such as hurricanes, floods etc.
- 7) Service calls resulting in customer education.
- 8) Improper Installation (ie. Building-in of a free standing appliance or using an appliance outdoors that is not approved for outdoor application). Proof of purchase date will be required for warranty claims; so, please retain bills of sale. In the event warranty service is required, present this document to our AUTHORIZED SERVICE DEPOT.

**Warranty Service**  
In-home

Danby Products Limited  
PO Box 1778, Guelph, Ontario, Canada N1H 6Z9  
Telephone: (519) 837-0920 FAX: (519) 837-0449

**1-800-263-2629**  
07/13

Danby Products Inc.  
PO Box 669, Findlay, Ohio, U.S.A. 45840  
Telephone: (419) 425-8627 FAX: (419) 425-8629





## Consignes de sécurité importantes

LIRE ET SUIVRE TOUTES LES INSTRUCTIONS DE SÉCURITÉ



**Remarque importante : Lisez attentivement ce manuel avant d'installer ou d'exploiter cet appareil. Assurez-vous de sauver le manuel pour référence future.**

	MISE EN GARDE	Indique que le manuel d'utilisation doit être lu attentivement.
	MISE EN GARDE	Indique que le personnel de service doit manipuler cet équipement en se référant au manuel d'installation.
	MISE EN GARDE	Indique que les informations sont disponibles telles que le manuel d'utilisation ou le manuel d'installation.



### ATTENTION: RISQUE D'INCENDIE

Fluide frigorigène inflammable utilisé. Lors de l'entretien ou de la mise au rebut du climatiseur, le réfrigérant ne doit pas pouvoir s'échapper à l'air libre.

**GARDEZ CES INSTRUCTIONS!**



## Consignes de sécurité importantes

### LIRE ET SUIVRE TOUTES LES INSTRUCTIONS DE SÉCURITÉ



#### ATTENTION

- L'installation doit être effectuée conformément aux instructions d'installation. Une mauvaise installation peut provoquer des fuites d'eau, des chocs électriques ou un incendie.
- Utilisez uniquement les accessoires et pièces inclus et les outils spécifiés pour l'installation. L'utilisation de pièces non standard peut provoquer des fuites d'eau, des chocs électriques, des incendies et des blessures ou des dommages matériels.
- Assurez-vous que la prise que vous utilisez est mise à la terre et à la tension appropriée. Le cordon d'alimentation est équipé d'une fiche de mise à la terre à trois broches pour protéger contre les chocs. Les informations sur la tension se trouvent sur la plaque signalétique de l'unité.
- Votre appareil doit être utilisé dans une prise murale correctement mise à la terre. Si la prise murale que vous envisagez d'utiliser n'est pas correctement mise à la terre ou protégée par un fusible temporisé ou un disjoncteur (le fusible du disjoncteur nécessaire est déterminé par le courant maximum de l'unité. Le courant maximum est indiqué sur la plaque signalétique située sur l'unité), demandez à un électricien qualifié d'installer la prise appropriée.
- Installez l'appareil sur une surface plane et solide. Le non-respect de cette consigne peut entraîner des dommages ou un bruit et des vibrations excessifs.
- L'unité doit être maintenue libre de toute obstruction pour assurer un bon fonctionnement et pour atténuer les risques pour la sécurité.
- Ne modifiez pas la longueur du cordon d'alimentation et n'utilisez pas de rallonge pour alimenter l'unité.
- Ne partagez pas une seule prise avec d'autres appareils électriques. Une alimentation électrique incorrecte peut provoquer un incendie ou un choc électrique.
- N'installez pas votre climatiseur dans une pièce humide telle qu'une salle de bain ou une buanderie. Une exposition excessive à l'eau peut provoquer un court-circuit des composants électriques.
- N'installez pas l'unité dans un endroit qui pourrait être exposé à des gaz combustibles car cela pourrait provoquer un incendie.
- L'unité a des roues pour faciliter le déplacement. Veillez à ne pas utiliser les roues sur un tapis épais ou à rouler sur des objets car cela pourrait provoquer un basculement.
- N'utilisez pas un appareil tombé ou endommagé.
- L'appareil avec chauffage électrique doit avoir au moins 1 mètre d'espace par rapport aux matériaux combustibles.
- Ne touchez pas l'appareil avec les mains mouillées ou humides ou pieds nus.
- Si le climatiseur est renversé pendant son utilisation, éteignez l'appareil et débranchez-le immédiatement de l'alimentation principale. Inspectez visuellement l'appareil pour vous assurer qu'il n'y a pas de dommages. Si vous pensez que l'appareil a été endommagé, contactez un technicien ou un service client pour obtenir de l'aide.
- En cas d'orage, l'alimentation électrique doit être coupée pour éviter d'endommager la machine en raison de la foudre.
- Votre climatiseur doit être utilisé de manière à être protégé de l'humidité. Par exemple, condensation, éclaboussures d'eau, etc. Ne placez pas et ne stockez pas votre climatiseur là où il pourrait tomber ou être entraîné dans l'eau ou tout autre liquide. Débranchez immédiatement si cela se produit.
- Tout le câblage doit être effectué strictement conformément à l'emplacement du schéma de câblage à l'intérieur de l'unité.
- La carte de circuit imprimé de l'unité (PCB) est conçue avec un fusible pour fournir une protection contre les surintensités. Les spécifications du fusible sont imprimées sur le circuit imprimé.
- Lorsque la fonction de vidange de l'eau n'est pas utilisée, maintenez les bouchons de vidange supérieur et inférieur fermement installés dans l'unité. Les bouchons de vidange peuvent présenter un risque d'étouffement pour les enfants.

**GARDEZ CES INSTRUCTIONS!**



## Consignes de sécurité importantes

### LIRE ET SUIVRE TOUTES LES INSTRUCTIONS DE SÉCURITÉ



#### ATTENTION

- Cet appareil n'est pas destiné à être utilisé par des personnes (y compris des enfants) dont les capacités physiques, sensorielles ou mentales peuvent être différentes ou réduites, ou qui manquent d'expérience ou de connaissances, à moins que ces personnes ne reçoivent une supervision ou une formation pour faire fonctionner l'appareil par une personne responsable de leur sécurité. Les enfants doivent être surveillés pour s'assurer qu'ils ne jouent pas avec l'appareil. Les enfants doivent être surveillés à tout moment autour de l'unité.
- Si le cordon d'alimentation est endommagé, il doit être remplacé par le fabricant, son agent de service ou des personnes de qualification similaire afin d'éviter tout danger.
- Avant le nettoyage ou tout autre entretien, l'appareil doit être débranché de l'alimentation électrique.
- Ne retirez aucun couvercle fixe. N'utilisez jamais cet appareil s'il ne fonctionne pas correctement ou s'il est tombé ou est endommagé.
- Ne faites pas passer le cordon sous la moquette. Ne couvrez pas le cordon avec des tapis, des patins ou des revêtements similaires. Ne faites pas passer le cordon sous des meubles ou des appareils. Disposez les cordons loin de la circulation et à un endroit où ils ne risquent pas de trébucher.
- N'utilisez pas un appareil dont le cordon d'alimentation, la fiche, le fusible d'alimentation ou le disjoncteur sont endommagés. Jetez l'appareil ou renvoyez-le à un centre de service autorisé pour examen et / ou réparation.
- Pour réduire le risque d'incendie ou d'électrocution, n'utilisez pas ce climatiseur avec un dispositif de contrôle de vitesse à semi-conducteurs.
- L'appareil doit être installé conformément aux réglementations nationales en matière de câblage.
- Contactez le technicien de service agréé pour la réparation ou l'entretien de cet appareil.
- Contactez l'installateur de service autorisé pour l'installation de cet appareil.
- Ne pas couvrir ni obstruer les grilles d'entrée ou de sortie.
- N'utilisez pas ce produit pour des fonctions autres que celles décrites dans ce manuel d'instructions.
- Avant le nettoyage, coupez l'alimentation et débranchez l'appareil.
- Débranchez l'alimentation si des sons, des odeurs ou de la fumée étranges en proviennent.
- N'appuyez pas sur les boutons du panneau de commande avec autre chose que vos doigts.
- Ne retirez aucun couvercle fixe. N'utilisez jamais cet appareil s'il ne fonctionne pas correctement ou s'il est tombé ou est endommagé.
- N'utilisez pas et n'arrêtez pas l'appareil en insérant ou en retirant la fiche du cordon d'alimentation.
- N'utilisez pas de produits chimiques dangereux pour nettoyer ou entrer en contact avec l'unité. N'utilisez pas l'appareil en présence de substances inflammables ou de vapeurs telles que de l'alcool, des insecticides, de l'essence, etc.
- Transportez toujours votre climatiseur en position verticale et tenez-vous debout sur une surface stable et plane pendant l'utilisation.
- Contactez toujours une personne qualifiée pour effectuer les réparations. Si le cordon d'alimentation endommagé doit être remplacé par un nouveau cordon d'alimentation fourni par le fabricant du produit et non réparé.
- Tenez la fiche par la tête de la fiche d'alimentation lorsque vous la retirez.
- Éteignez l'appareil lorsqu'il n'est pas utilisé.

**GARDEZ CES INSTRUCTIONS!**



## Consignes de sécurité importantes

### LIRE ET SUIVRE TOUTES LES INSTRUCTIONS DE SÉCURITÉ



#### Remarque sur les gaz fluorés

- Les gaz à effet de serre fluorés sont contenus dans des équipements hermétiquement fermés. Pour des informations spécifiques sur le type, la quantité et l'équivalent CO2 en tonnes de gaz à effet de serre fluoré sur certains modèles. Veuillez vous référer à l'étiquette correspondante sur l'unité elle-même.
- L'installation, l'entretien, la maintenance et la réparation de cet appareil doivent être effectués par un technicien certifié.
- L'installation et le recyclage du produit doivent être effectués par un technicien certifié.

#### AVERTISSEMENT pour l'utilisation du réfrigérant R32

- N'utilisez pas de moyens pour accélérer le processus de dégivrage ou pour nettoyer autres que ceux recommandés par le fabricant.
- L'appareil doit être stocké dans une pièce sans sources d'allumage fonctionnant en permanence, par exemple, des flammes nues, un appareil à gaz en fonctionnement ou un radiateur électrique en fonctionnement.
- Ne pas percer ni brûler.
- Sachez que les réfrigérants peuvent ne pas contenir d'odeur.
- L'appareil doit être installé, utilisé et stocké dans une pièce avec une surface au sol en fonction de la quantité de réfrigérant à charger. Pour des informations spécifiques sur le type de gaz et la quantité, veuillez vous référer à l'étiquette correspondante sur l'unité elle-même. Lorsqu'il y a des différences entre l'étiquette et le manuel sur la description de la surface minimale de la pièce, la description sur l'étiquette prévaut.
- Le respect des réglementations nationales en matière de gaz doit être respecté.
- Gardez les ouvertures de ventilation libres de toute obstruction.
- L'appareil doit être stocké de manière à éviter tout dommage mécanique.
- Un avertissement indiquant que l'appareil doit être stocké dans une zone bien ventilée où la taille de la pièce correspond à la zone de la pièce spécifiée pour le fonctionnement.
- Toute personne impliquée dans le travail sur le circuit frigorifique doit être titulaire d'un certificat valide et à jour délivré par une autorité d'évaluation accréditée par l'industrie qui autorise sa compétence à manipuler les réfrigérants en toute sécurité conformément à une spécification d'évaluation reconnue par l'industrie. Exemples de travaux : pénétration dans le circuit frigorifique, ouverture de composants scellés, ouverture d'enceintes ventilées
- L'entretien ne doit être effectué que selon les recommandations du fabricant. La maintenance et les réparations nécessitant l'assistance d'autres personnes qualifiées doivent être effectuées sous la supervision de la personne compétente dans l'utilisation de réfrigérants inflammables.
- Veuillez suivre attentivement les instructions pour manipuler, installer, nettoyer et entretenir le climatiseur afin d'éviter tout dommage ou danger. Le réfrigérant inflammable R32 est utilisé dans ce climatiseur. Lors de l'entretien ou de la mise au rebut du climatiseur, le réfrigérant doit être récupéré correctement et ne doit pas être autorisé à se décharger directement dans l'air.
- Aucun feu ouvert ou dispositif comme un interrupteur susceptible de générer une étincelle / un arc ne doit se trouver autour du climatiseur pour éviter d'allumer le réfrigérant inflammable utilisé.
- Veuillez suivre attentivement les instructions pour stocker ou entretenir le climatiseur afin d'éviter tout dommage mécanique.
- Le réfrigérant inflammable -R32 est utilisé dans le climatiseur. Veuillez suivre attentivement les instructions pour éviter tout danger. Pour des informations spécifiques sur le type de gaz et la quantité, veuillez consulter l'étiquette correspondante sur l'unité elle-même.
- L'appareil doit être stocké dans une pièce sans flammes nues fonctionnant en continu (par exemple un appareil à gaz en fonctionnement) et sans sources d'inflammation (par exemple un radiateur électrique en fonctionnement).

**Transport d'équipements contenant des fluides frigorigènes inflammables :** Voir les règlements de transport.

**Marquage des équipements à l'aide de panneaux :** Voir les réglementations locales.

**Élimination de l'équipement utilisant des réfrigérants inflammables :** Voir les réglementations nationales.

**Stockage des équipements / appareils :** Le stockage de l'équipement doit être conforme aux instructions du fabricant.

**Stockage des équipements emballés (invendus) :** La protection de l'emballage de stockage doit être construite de manière à ce que les dommages mécaniques à l'équipement à l'intérieur de l'emballage ne provoquent pas de fuite de la charge de réfrigérant. Le nombre maximum d'équipements pouvant être stockés ensemble sera déterminé par les réglementations locales.

**GARDEZ CES INSTRUCTIONS!**



## Consignes de sécurité importantes

LIRE ET SUIVRE TOUTES LES INSTRUCTIONS DE SÉCURITÉ



### Informations sur le service

- 1. Chèques à la région:** Avant de commencer à travailler sur des systèmes contenant des frigorigènes inflammables, des contrôles de sécurité sont nécessaires pour réduire au minimum le risque d'inflammation. Pour réparer le système de réfrigération, les précautions suivantes doivent être respectées avant de procéder à des travaux sur le système.
- 2. Procédure de travail:** Les travaux doivent être effectués selon une procédure contrôlée, de manière à minimiser le risque de présence de gaz ou de vapeurs inflammables pendant l'exécution des travaux.
- 3. Zone de travail générale:** Tout le personnel de maintenance et les autres personnes travaillant dans la zone locale doivent être informés de la nature des travaux effectués. Les travaux dans des espaces confinés doivent être évités. La zone autour de l'espace de travail doit être divisée. Assurez-vous que les conditions dans la zone de travail ont été sécurisées en retirant tout matériau inflammable.
- 4. Vérification de la présence de réfrigérant:** Les zones doivent être vérifiées avec un détecteur de réfrigérant approprié avant et pendant le travail pour s'assurer que le technicien est conscient des atmosphères potentiellement inflammables. Assurez-vous que l'équipement de détection des fuites utilisé convient aux fluides frigorigènes inflammables, c'est-à-dire qu'il ne produit pas d'étincelles, est correctement scellé et de sécurité intrinsèque.
- 5. Présence d'extincteur:** Si des travaux à chaud doivent être effectués sur l'équipement de réfrigération ou sur toute pièce associée, un équipement d'extinction d'incendie approprié doit être disponible. Avoir un extincteur à poudre sèche ou au CO2 adjacent à la zone de travail.
- 6. Aucune source d'inflammation:** Aucune personne effectuant des travaux en rapport avec un système de réfrigération impliquant l'exposition de tuyauteries contenant ou ayant contenu un réfrigérant inflammable ne doit utiliser une source d'inflammation de manière à entraîner un risque d'incendie ou d'explosion. Toutes les sources d'inflammation possibles, y compris le tabagisme, doivent être suffisamment éloignées du lieu d'installation, de réparation, de retrait et d'élimination, pendant lesquelles un réfrigérant inflammable peut éventuellement être rejeté dans l'espace environnant. Avant le début des travaux, la zone autour de l'équipement doit être inspectée pour s'assurer qu'il n'y a pas de danger d'inflammabilité ou de risque d'inflammation. Aucun signe de fumer ne doit être affiché.
- 7. Zone ventilée:** Assurez-vous que la zone est à l'air libre ou qu'elle est correctement ventilée avant de pénétrer dans le système ou d'effectuer des travaux à chaud. Une certaine ventilation doit être maintenue pendant la durée des travaux. La ventilation doit disperser en toute sécurité tout fluide réfrigérant libéré et de préférence l'expulser de l'extérieur vers l'atmosphère.
- 8. Contrôles à l'équipement de réfrigération:** Lorsque des composants électriques sont remplacés, ils doivent être adaptés à l'usage prévu et aux spécifications appropriées. Respectez à tout moment les directives du fabricant en matière d'entretien et de maintenance. En cas de doute, consultez le service technique du fabricant. Les contrôles suivants doivent être appliqués aux installations utilisant des réfrigérants inflammables:
  - La taille de la charge est conforme à la taille de la pièce dans laquelle les pièces contenant le réfrigérant sont installées.
  - Les machines de ventilation et les sorties fonctionnent de manière adéquate et ne sont pas obstruées.
  - Si un circuit de réfrigération indirect est utilisé, le circuit secondaire doit être vérifié pour la présence de réfrigérant.
  - Le marquage sur l'équipement continue d'être visible et lisible. Les marques et les signes qui deviennent illisibles doivent être corrigés.
  - Les tuyaux ou composants de réfrigération sont installés dans une position où ils ne risquent pas d'être exposés à une substance susceptible de corroder les composants contenant du réfrigérant, à moins que les composants ne soient construits avec des matériaux intrinsèquement résistants à la corrosion ou protégés de manière adéquate.
- 9. Contrôles aux appareils électriques:** La réparation et la maintenance des composants électriques doivent inclure les contrôles de sécurité initiaux et les procédures d'inspection des composants. S'il existe un défaut susceptible de compromettre la sécurité, aucune alimentation électrique ne doit être connectée au circuit jusqu'à ce que le problème soit résolu. Si le défaut ne peut pas être corrigé immédiatement mais qu'il est nécessaire de poursuivre le fonctionnement, une solution temporaire adéquate doit être utilisée. Cela doit être signalé au propriétaire de l'équipement afin que toutes les parties soient informées. Les contrôles de sécurité initiaux doivent inclure:
  - Que les condensateurs sont déchargés. Ceci doit être fait de manière sûre pour éviter la possibilité d'étincelles.
  - Qu'aucun composant ni câblage électrique sous tension ne soit exposé pendant le chargement, la récupération ou la purge du système.
  - Qu'il existe une continuité de la mise à la terre.

**GARDEZ CES INSTRUCTIONS!**



## Consignes de sécurité importantes

### LIRE ET SUIVRE TOUTES LES INSTRUCTIONS DE SÉCURITÉ



#### Les composants électriques scellés sont remplacés

1. Lors de la réparation de composants scellés, toutes les alimentations électriques doivent être débranchées de l'équipement utilisé avant toute dépose de couvercles scellés, etc. S'il est absolument nécessaire de prévoir une alimentation électrique de l'équipement pendant l'entretien, une détection des fuites fonctionnant en permanence doit être situé au point le plus critique pour avertir d'une situation potentiellement dangereuse.
2. Afin de garantir qu'en manipulant des composants électriques, le boîtier ne soit pas modifié de telle sorte que le niveau de protection soit affecté, une attention particulière doit être accordée aux éléments suivants:
  - Dommages aux câbles, nombre excessif de connexions, bornes non conformes aux spécifications d'origine, dommages aux joints, mauvais montage des presse-étoupes, etc.
  - Assurez-vous que l'appareil est bien monté.
  - Assurez-vous que les joints ou les matériaux d'étanchéité ne se sont pas dégradés de telle sorte qu'ils ne servent plus à empêcher la pénétration d'atmosphères inflammables. Les pièces de rechange doivent être conformes aux spécifications du fabricant.

**Remarque:** l'utilisation d'un produit d'étanchéité à base de silicone peut nuire à l'efficacité de certains types d'équipement de détection de fuites. Les composants de sécurité intrinsèque ne doivent pas nécessairement être isolés avant de travailler dessus.

#### Les composants à sécurité intrinsèque doivent être remplacés

N'appliquez aucune charge inductive ou capacitive permanente sur le circuit sans vous assurer que cela ne dépassera pas la tension et le courant autorisés pour l'équipement utilisé. Les composants à sécurité intrinsèque sont les seuls types sur lesquels on peut travailler tout en vivant dans une atmosphère inflammable. L'appareil d'essai doit avoir la cote correcte. Remplacez les composants uniquement par des pièces spécifiées par le fabricant. D'autres pièces peuvent provoquer l'inflammation de réfrigérant dans l'atmosphère par une fuite.

#### Le câblage

Vérifiez que le câblage ne sera pas soumis à l'usure, à la corrosion, à une pression excessive, aux vibrations, aux arêtes vives ou à tout autre effet néfaste sur l'environnement. La vérification doit également prendre en compte les effets du vieillissement ou des vibrations continues provenant de sources telles que les compresseurs ou les ventilateurs.

#### Détection de réfrigérants inflammables

En aucun cas, des sources d'inflammation potentielles ne doivent être utilisées pour rechercher ou détecter des fuites de réfrigérant. Une lampe à incandescence ou tout autre détecteur utilisant une flamme nue ne doit pas être utilisé. Les méthodes de détection des fuites suivantes sont jugées acceptables pour les systèmes contenant des réfrigérants inflammables. Des détecteurs de fuites électroniques peuvent être utilisés pour détecter les réfrigérants inflammables, mais leur sensibilité peut être insuffisante ou nécessiter un réétalonnage (l'équipement de détection doit être étalonné dans une zone exempte de réfrigérant). Assurez-vous que le détecteur n'est pas une source potentielle d'inflammation et qu'il est adapté au réfrigérant utilisé.

**GARDEZ CES INSTRUCTIONS!**



## Consignes de sécurité importantes

### LIRE ET SUIVRE TOUTES LES INSTRUCTIONS DE SÉCURITÉ



#### Méthodes de détection de fuite

Les méthodes de détection des fuites suivantes sont jugées acceptables pour les systèmes contenant des réfrigérants inflammables:

- Des détecteurs de fuites électroniques doivent être utilisés pour détecter les réfrigérants inflammables, mais la sensibilité peut ne pas être adéquate ou nécessiter un réétalonnage. L'équipement de détection doit être étalonné dans une zone sans réfrigérant. Assurez-vous que le détecteur n'est pas une source potentielle d'inflammation et qu'il convient au réfrigérant utilisé.
- L'équipement de détection de fuites doit être réglé sur un pourcentage de la LF du réfrigérant et doit être calibré avec le réfrigérant utilisé et le pourcentage de gaz approprié (25% maximum) est confirmé.
- Les fluides de détection des fuites peuvent être utilisés avec la plupart des réfrigérants, mais l'utilisation de détergents contenant du chlore doit être évitée car le chlore peut réagir avec le réfrigérant et corroder le cuivre ou les tuyauteries.
- Si une fuite est suspectée, toutes les flammes nues doivent être supprimées ou éteintes.
- Si une fuite de réfrigérant nécessitant un brasage est détectée, tout le réfrigérant doit être récupéré du système ou isolé au moyen de vannes d'arrêt dans une partie du système éloignée de la fuite. L'azote libre d'oxygène (OFN) doit ensuite être purgé à travers le système avant et pendant le processus de brasage.

#### Enlèvement et évacuation

Lorsque vous pénétrez dans le circuit de fluide frigorigène pour effectuer des réparations ou à toute autre fin, vous devez utiliser des procédures classiques. Cependant, il est important que la meilleure pratique soit suivie car l'inflammabilité est une considération. Les procédures suivantes doivent être respectées:

- Retirer le réfrigérant en toute sécurité en respectant les réglementations locales et nationales;
- Évacuer;
- Purger le circuit avec du gaz inerte (en option pour A2L);
- Évacuer (optionnel pour A2L).
- Rincer ou purger continuellement avec un gaz inerte lors de l'utilisation d'une flamme pour ouvrir le circuit ; et
- Ouvrir le circuit

La charge de réfrigérant doit être récupérée dans les bouteilles de récupération appropriées si la ventilation n'est pas autorisée par les codes locaux et nationaux. Pour les appareils contenant des réfrigérants inflammables, le système doit être purgé avec des réfrigérants ininflammables sans oxygène. Ce processus peut devoir être répété plusieurs fois. L'air comprimé ou l'oxygène ne doivent pas être utilisés pour purger les systèmes de réfrigération.

Pour les appareils contenant des réfrigérants inflammables, la purge des réfrigérants doit être réalisée en cassant le vide dans le système avec de l'azote sans oxygène et en continuant à remplir jusqu'à ce que la pression de travail soit atteinte, puis en ventilant dans l'atmosphère, et enfin en tirant vers le bas jusqu'au vide (optionnel pour A2L). Ce processus doit être répété jusqu'à ce qu'il n'y ait plus de réfrigérant dans le système (optionnel pour A2L). Lorsque la charge finale d'azote sans oxygène est utilisée, le système doit être mis à l'air libre jusqu'à la pression atmosphérique pour permettre le travail.

La sortie de la pompe à vide ne doit pas se trouver à proximité de sources d'inflammation potentielles et une ventilation doit être assurée.

**GARDEZ CES INSTRUCTIONS!**



## Consignes de sécurité importantes

### LIRE ET SUIVRE TOUTES LES INSTRUCTIONS DE SÉCURITÉ



### Procédures de charge

Outre les procédures de chargement classiques, les exigences suivantes doivent être respectées:

- Assurez-vous que les différents réfrigérants ne soient pas contaminés lors de l'utilisation d'un équipement de charge. Les tuyaux ou les conduites doivent être aussi courts que possible pour minimiser la quantité de réfrigérant qu'ils contiennent.
- Les bouteilles doivent être maintenues debout.
- Assurez-vous que le système de réfrigération est mis à la terre avant de le charger avec du réfrigérant.
- Étiquetez le système lorsque le chargement est terminé, s'il ne l'est pas déjà.
- Un soin extrême doit être pris pour ne pas trop remplir le système de réfrigération.
- Avant de recharger le système, il doit être testé sous pression avec OFN. Le système doit être soumis à un test d'étanchéité à la fin du chargement mais avant la mise en service. Un contrôle d'étanchéité doit être effectué avant de quitter le site.

### Déclassement

Avant d'effectuer cette procédure, il est essentiel que le technicien connaisse parfaitement l'équipement dans tous ses détails. Il est recommandé, conformément aux bonnes pratiques, que tous les réfrigérants soient récupérés en toute sécurité. Avant l'exécution de la tâche, un échantillon d'huile et de réfrigérant doit être prélevé au cas où une analyse serait nécessaire avant de réutiliser le réfrigérant récupéré. Il est essentiel que l'alimentation électrique soit disponible avant le début de la tâche.

- A. Familiarisez-vous avec l'équipement et son fonctionnement.
- B. Isoler le système électriquement.
- C. Avant de tenter la procédure, assurez-vous que:
  - Un équipement de manutention mécanique est disponible si nécessaire pour la manipulation des bouteilles de réfrigérant.
  - Tous les équipements de protection individuelle sont disponibles et utilisés correctement.
  - Le processus de récupération est supervisé à tout moment par une personne compétente.
  - L'équipement de récupération et les bouteilles sont conformes aux normes appropriées.
- D. Pomper le système de réfrigérant, si possible.
- E. Si le vide n'est pas possible, créez un collecteur afin que le réfrigérant puisse être éliminé de différentes parties du système.
- F. Assurez-vous que le cylindre est situé sur la balance avant la récupération.
- G. Démarrez la machine de récupération et utilisez-la conformément aux instructions du fabricant.
- H. Ne pas trop remplir les bouteilles. Pas plus de 80% de volume de charge liquide.
- I. Ne dépassez pas la pression de service maximale du cylindre, même temporairement.
- J. Lorsque les bouteilles ont été remplies correctement et que le processus est terminé, assurez-vous que les bouteilles et l'équipement sont retirés du site rapidement et que toutes les vannes d'isolement de l'équipement sont fermées.
- K. Le réfrigérant récupéré ne doit pas être chargé dans un autre système de réfrigération à moins d'avoir été nettoyé et vérifié.

**GARDEZ CES INSTRUCTIONS!**



## Consignes de sécurité importantes

### LIRE ET SUIVRE TOUTES LES INSTRUCTIONS DE SÉCURITÉ



#### Étiquetage

L'équipement doit porter une étiquette indiquant qu'il a été mis hors service et vidé du réfrigérant. L'étiquette doit être datée et signée. Assurez-vous qu'il y a des étiquettes sur l'équipement indiquant que celui-ci contient du réfrigérant inflammable.

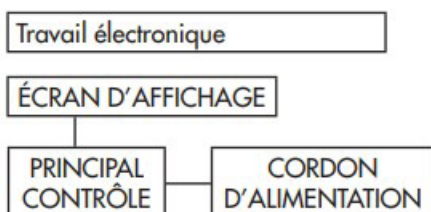
#### Récupération

Lorsque vous retirez du fluide frigorigène d'un système, que ce soit pour un entretien ou une mise hors service, il est recommandé de procéder à l'élimination de tous les fluides frigorigènes en toute sécurité.

Lors du transfert du réfrigérant dans les bouteilles, assurez-vous que seul le récupérateur approprié récupère les bouteilles. Assurez-vous que le nombre correct de cylindres permettant de contenir la charge totale du système est disponible. Tous les cylindres à utiliser sont conçus pour le réfrigérant récupéré et étiquetés pour ce réfrigérant, c'est-à-dire des cylindres spéciaux pour la récupération du réfrigérant. Les bouteilles doivent être équipées d'une soupape de surpression et des vannes d'arrêt associées en bon état de fonctionnement. Les bouteilles de récupération vides sont évacuées et, si possible, refroidies avant la récupération.

L'équipement de récupération doit être en bon état de fonctionnement, avec un ensemble d'instructions concernant l'équipement disponible et doit être adapté à la récupération des réfrigérants inflammables. En outre, un jeu de balances étalonnées doit être disponible et en bon état de fonctionnement. Les flexibles doivent être complets avec des raccords débranchés sans fuite et en bon état. Avant d'utiliser la machine de récupération, vérifiez qu'elle est en bon état de fonctionnement, correctement entretenue et que tous les composants électriques associés sont scellés pour éviter toute inflammation en cas de fuite du réfrigérant. Consultez le fabricant en cas de doute.

Le fluide frigorigène récupéré doit être renvoyé au fournisseur de fluide frigorigène dans la bouteille de récupération appropriée et la note de transfert de déchets correspondante doit être préparée. Ne mélangez pas les réfrigérants dans les unités de récupération et en particulier dans les bouteilles. Si des compresseurs ou des huiles de compresseurs doivent être éliminés, assurez-vous qu'ils ont été évacués à un niveau acceptable pour vous assurer que le réfrigérant inflammable ne reste pas dans le lubrifiant. Le processus d'évacuation doit être effectué avant de renvoyer le compresseur aux fournisseurs. Seul un chauffage électrique du corps du compresseur doit être utilisé pour accélérer ce processus. Lorsque l'huile est vidangée d'un système, elle doit être effectuée en toute sécurité.



**AVERTISSEMENT:** Avant d'effectuer tout travail électrique ou de câblage, éteignez la puissance principale du système.

Remarque: les cographes sont uniquement à des fins d'explication. Votre appareil peut être légèrement différent. La forme réelle doit prévaloir.

**GARDEZ CES INSTRUCTIONS!**

# INSTRUCTIONS D'INSTALLATION

## EMPLACEMENT

Ce climatiseur est conçu pour les fenêtres simples ou doubles. Étant donné que la conception des fenêtres varie, il peut être nécessaire d'apporter certaines modifications pour une installation en toute sécurité.

Ce climatiseur n'est pas conçu pour les fenêtres verticales du type à glissière ni pour l'installation «à travers le mur».

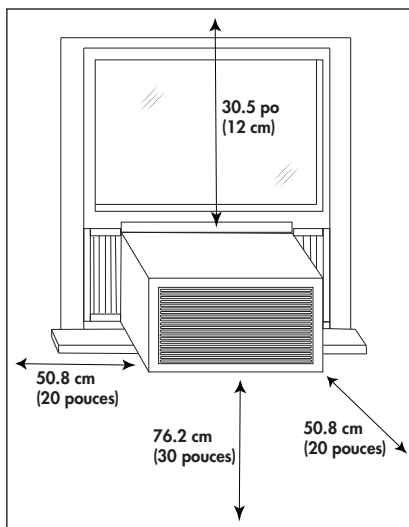
Assurez-vous que la fenêtre et le cadre sont structurellement sains et exempts de bois sec ou pourri.

Installez le climatiseur dans une fenêtre sur un côté du bâtiment qui favorise plus d'ombre que de soleil. Si l'appareil doit être à la lumière directe du soleil, il est conseillé de prévoir un store pare-soleil pour assurer un fonctionnement efficace.

N'installez pas l'appareil si une fuite de gaz combustible est suspectée.

Cet appareil est conçu pour évaporer la condensation dans des conditions normales. Dans des conditions extrêmement chaudes ou humides, un excès de condensation peut déborder vers l'extérieur. L'appareil doit être installé à un endroit où la condensation ne peut pas goutter sur les piétons ou les propriétés voisines.

Laissez un espace suffisant autour de l'appareil pour permettre une circulation d'air suffisante. L'arrière de l'appareil doit être à l'extérieur, pas dans un garage ni dans une autre pièce. Maintenez l'appareil à l'écart des obstacles et à au moins 76 cm (30") du sol. Assurez-vous que les rideaux et autres obstructions ne bloquent pas le flux d'air vers l'appareil.



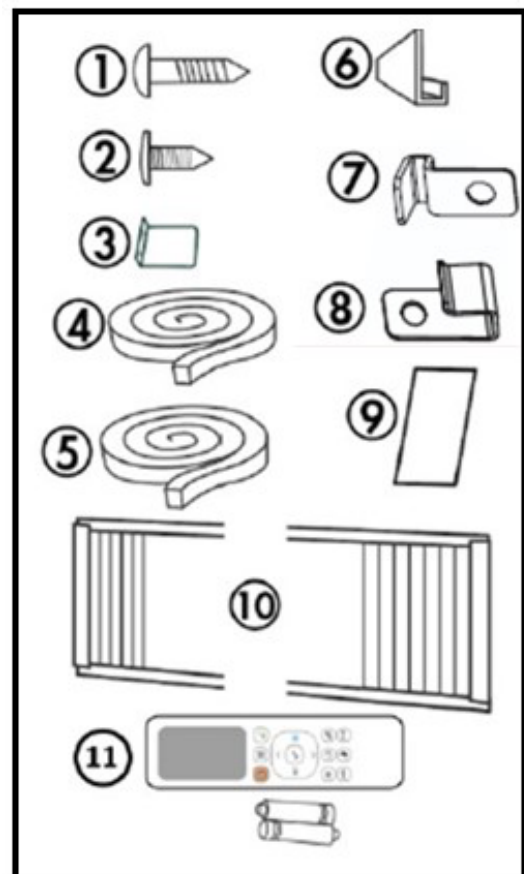
## OUTILS REQUIS

- Tournevis: Phillips et tête plate.
- Perceuse électrique: 3,2 mm (1/8 po.) de diamètre
- Crayon
- Mètre ruban
- Les ciseaux
- Niveau du charpentier

## ACCESSOIRES

Les accessoires suivants sont inclus avec l'appareil et doivent être utilisés pendant l'installation.

1. Vis de 13 mm (1/2 po) (x7)
2. Vis de 9,5 mm (3/8 pouce) (x4)
3. Verrouillage de sécurité
4. Joint de mousse adhésif
5. Joint en mousse régulière
6. Support de montage en forme de «L»
7. Support pour fenêtres en bois (x2)
8. Support pour fenêtres en vinyle (x2)
9. Coupe-froid (x5)
10. Rideaux latéraux (x2)
11. Télécommande et piles



# INSTRUCTIONS D'INSTALLATION

## INSTALLATION

Fixez les rideaux latéraux à l'appareil en faisant glisser le cadre du rideau dans le canal latéral de l'armoire. Les rideaux sont étiquetés «gauche» et «droite» sur les cadres. Cela concerne les côtés gauche et droit de l'appareil lorsque vous faites face à l'avant de l'appareil.

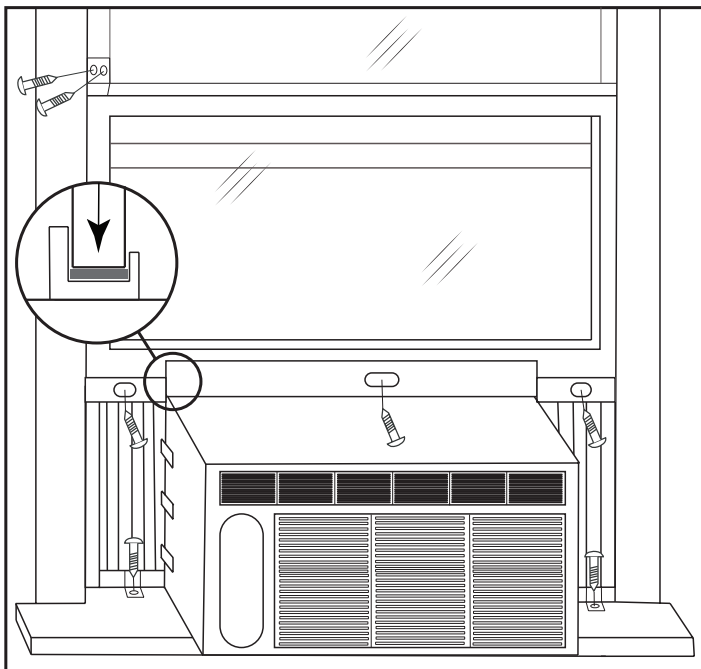
Coupez le joint en mousse ordinaire pour qu'il corresponde à la zone du rebord de la fenêtre sur laquelle le climatiseur reposera.

Placez le climatiseur dans la fenêtre avec le support de montage en forme de «L» placé devant le châssis supérieur. Le bas de l'armoire doit être placé sur la partie en retrait du cadre de la fenêtre. Abaissez le châssis de la fenêtre supérieure jusqu'à ce qu'il repose juste derrière la bride avant du support de montage en forme de «L».

Développez les rideaux latéraux de chaque côté et fixez le haut des cadres au châssis de fenêtre à l'aide d'une vis de 13 mm (1/2") de chaque côté du support de montage en forme de «L».

Fixez les fixations situées sur la partie inférieure de chaque rideau au rebord de la fenêtre à l'aide d'une vis de 13 mm (1/2") de chaque côté du meuble.

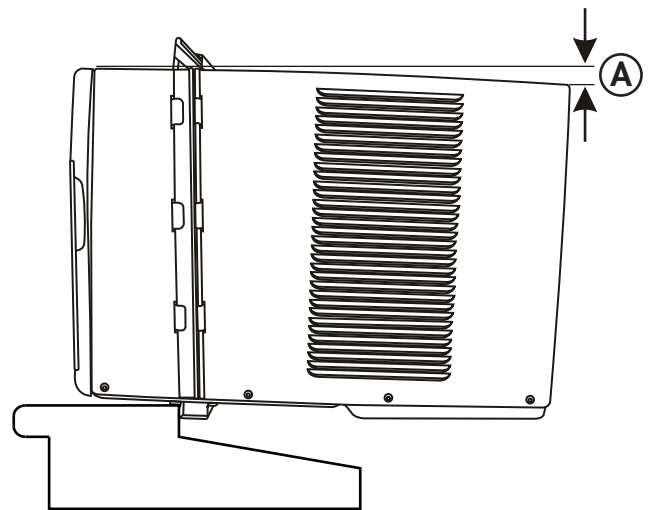
Placez le joint en mousse adhésif dans l'ouverture entre les fenêtres intérieure et extérieure et fixez le verrou de sécurité sur le cadre de fenêtre extérieur à l'aide de deux vis de 13 mm (1/2").



## VÉRIFIEZ L'ANGLE D'INCLINAISON

Le climatiseur doit être incliné vers le bas vers l'extérieur environ 3° à 4°. Cette inclinaison encouragera toute eau condensée à s'écouler vers l'extérieur. Si de l'eau condensée fuit à l'intérieur de la maison, vérifiez l'angle d'inclinaison et ajustez si nécessaire.

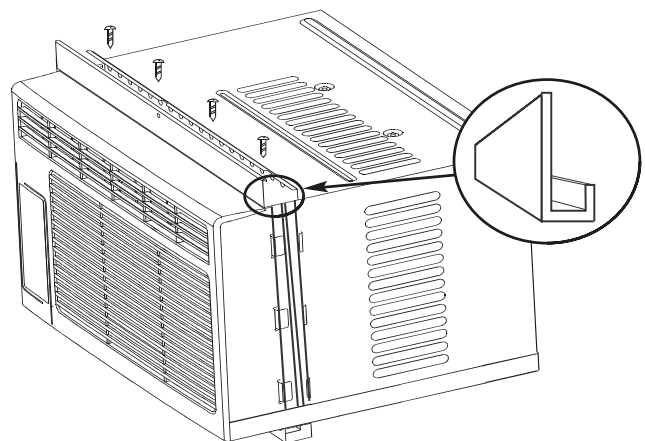
Mesurez l'angle d'inclinaison de l'avant du bord de l'armoire. La différence de hauteur entre l'avant et l'arrière de l'appareil, étiqueté "A" sur l'image ci-dessous, devrait être d'environ 3 - 4°.



## L SUPPORT

Le support en forme de «L» peut être installé en usine sur certains modèles.

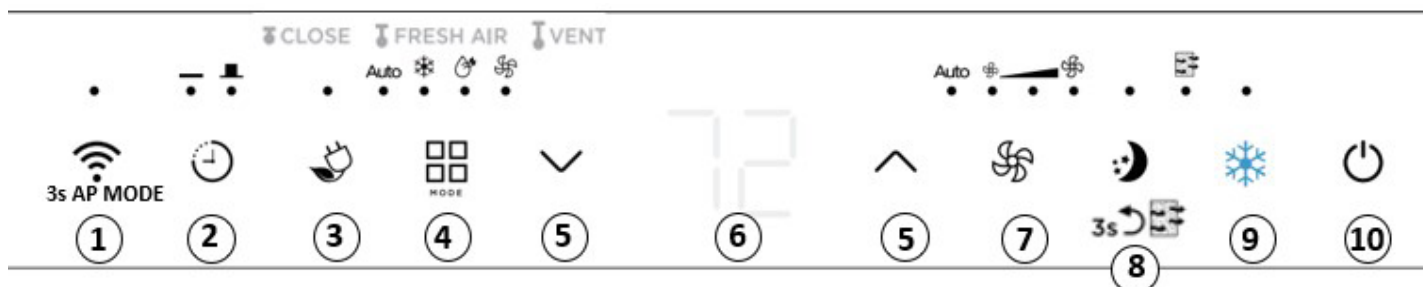
Si le support en forme de «L» n'est pas préinstallé, fixez-le au haut de l'armoire comme indiqué ci-dessous à l'aide des vis fournies de 9,5 mm (3/8") (x4).



# INSTRUCTIONS D'UTILISATION

## PANNEAU DE COMMANDE

- Bouton de connexion sans fil:** Utilisé pour se connecter à un réseau sans fil, appuyez sur le bouton et maintenez-le enfoncé pendant 3 secondes pour activer le mode AP.
- Bouton de minuterie:** Utilisé pour régler la minuterie de marche et arrêt automatique.
- Bouton d'économie d'énergie:** Utilisé pour définir la fonction économiseur d'énergie.
- Bouton mode:** Utilisé pour choisir le mode de fonctionnement.
- Bouton de réglage de la température:** Utilisé pour ajuster la température réglée par incréments de 1° et la fonction de minuterie en des incréments de 30 minutes jusqu'à 10 heures, puis en incréments de 1 heure jusqu'à 24 heures.
- Panneau d'affichage:** Affiche la température réglée, la température ambiante et les réglages de la minuterie. Pour modifier l'échelle de température affichée, appuyez simultanément sur les touches de contrôle de la température pendant 3 secondes.
- Bouton ventilateur:** Utilisé pour régler la vitesse du ventilateur. Le ventilateur peut être réglé sur Bas, Moyen, Haut et Auto.
- Bouton de sommeil:** Utilisé pour régler la fonction sommeil.
  - Le témoin lumineux du filtre s'allume après 250 heures de fonctionnement pour vous rappeler de vérifier le filtre. Une fois le filtre nettoyé, appuyez sur le bouton de mise en veille et maintenez-le enfoncé pendant 3 secondes pour reprendre le fonctionnement et le voyant s'éteint.
- FlashCool:** Utilisé pour démarrer la fonction FlashCool.
- Bouton d'alimentation:** Utilisé pour allumer ou éteindre l'appareil.



# INSTRUCTIONS D'UTILISATION

## MODES DE FONCTIONNEMENT

Appuyez plusieurs fois sur la touche mode pour sélectionner le mode souhaité. Le voyant adjacent s'allume pour indiquer le mode sélectionné..

### • Mode de refroidissement

Choisissez le mode froid pour régler la fonction de refroidissement. Utilisez les boutons de contrôle de la température pour choisir la température souhaitée. Lorsque le mode froid est sélectionné, la vitesse du ventilateur peut être réglée en appuyant sur la touche du ventilateur..

### • Mode sec

Choisissez le mode sec pour éliminer l'excès d'humidité de l'air pendant les périodes de forte humidité. Toute l'eau extraite de l'air se condensera à l'intérieur de l'appareil et s'écoulera par l'arrière. La vitesse du ventilateur sera automatiquement réglée et ne pourra pas être modifiée en mode sec.

### • Mode ventilateur

Choisissez le mode ventilateur pour faire fonctionner le ventilateur interne sans activer la fonction de refroidissement. Appuyez plusieurs fois sur le bouton du ventilateur pour choisir la vitesse du ventilateur.

### • Mode automatique

Le mode automatique est un programme d'usine prédéfini qui définit automatiquement le mode et la vitesse du ventilateur en fonction de la température définie, de la température ambiante et de l'humidité ambiante.

En mode Auto, la vitesse du ventilateur est un réglage par défaut qui ne peut être modifié.

### • FlashCool

FlashCool assure un refroidissement maximal et règle le ventilateur sur la vitesse la plus élevée.

#### Remarque:

La fonction FlashCool peut être annulée en La fonction FlashCool peut être annulée en changeant de mode ou de vitesse de ventilation. L'appareil revient alors au mode de réglage.

### • Connexion sans fil

Appuyez sur le bouton sans fil sur le panneau de contrôle pendant 3 secondes pour activer le mode sans fil/AP. La mention "AP" s'affiche à l'écran lorsque l'appareil est en mode de connexion sans fil. Vous pouvez également activer la fonction sans fil à partir de la télécommande.

Maintenez enfoncées la touche sans fil et la touche de diminution de la température pendant 3 secondes pour désactiver le mode de connexion sans fil.

Ce climatiseur peut être contrôlé à l'aide d'une application sans fil sur votre appareil sans fil. Reportez-vous au manuel sans fil inclus dans le sac d'accessoires pour plus d'informations ou visitez le site <https://www.danby.com/support/#apps> pour télécharger l'application et en apprendre davantage sur son fonctionnement.

### • Affichage des températures

La plage de température de cet appareil est d'environ 16 ~ 30°C (60 ~ 86°F). Appuyez simultanément sur les touches de contrôle de la température et maintenez-les enfoncées pour passer de l'affichage de la température en °C à l'affichage en °F.

## AFFICHAGE

L'écran affiche la température réglée en °C ou en °F et les réglages de la minuterie automatique. En mode Ventilateur seul, l'écran affiche la température ambiante.

#### Remarque:

Le circuit de refroidissement est doté d'un délai de démarrage automatique de 3 minutes si l'appareil est éteint et rallumé rapidement. Cela permet d'éviter la surchauffe du compresseur et le déclenchement éventuel du disjoncteur. Le ventilateur continue de fonctionner pendant cette période.

# INSTRUCTIONS D'UTILISATION

## DIRECTION DE L'AIR

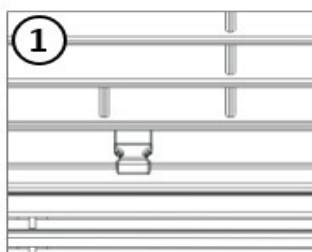
Les persiennes vous permettront de diriger le flux d'air vers le haut ou le bas et de gauche à droite dans la pièce, selon les besoins.

1. Pivoter la section de la persienne Haut/Bas jusqu'à ce que la direction souhaitée soit obtenue.
2. Déplacer le(s) levier(s) d'un côté à l'autre jusqu'à ce que la direction gauche/droite souhaitée soit obtenue.

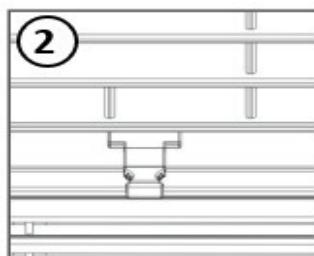
## Contrôle de la ventilation de l'air frais

La prise d'air frais permet au climatiseur de

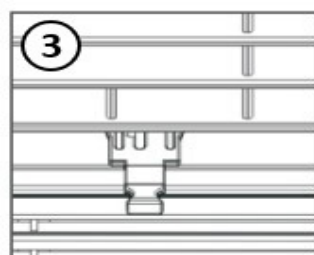
1. Recirculation de l'air intérieur - Évent fermé



2. Aspirer de l'air frais dans la pièce - Ventilation ouverte



3. Échange l'air de la pièce et aspire l'air frais dans la pièce - Ouverture de l'évent et de l'échappement

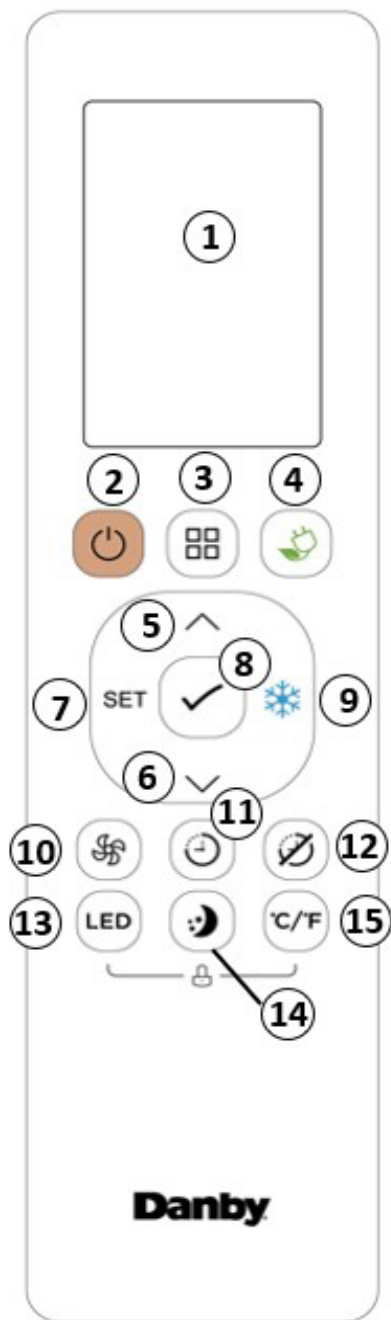


### Remarque:

Les images sont affichées sur le panneau de commande au-dessus des modes. Cette fonction est activée manuellement.

# INSTRUCTIONS D'UTILISATION

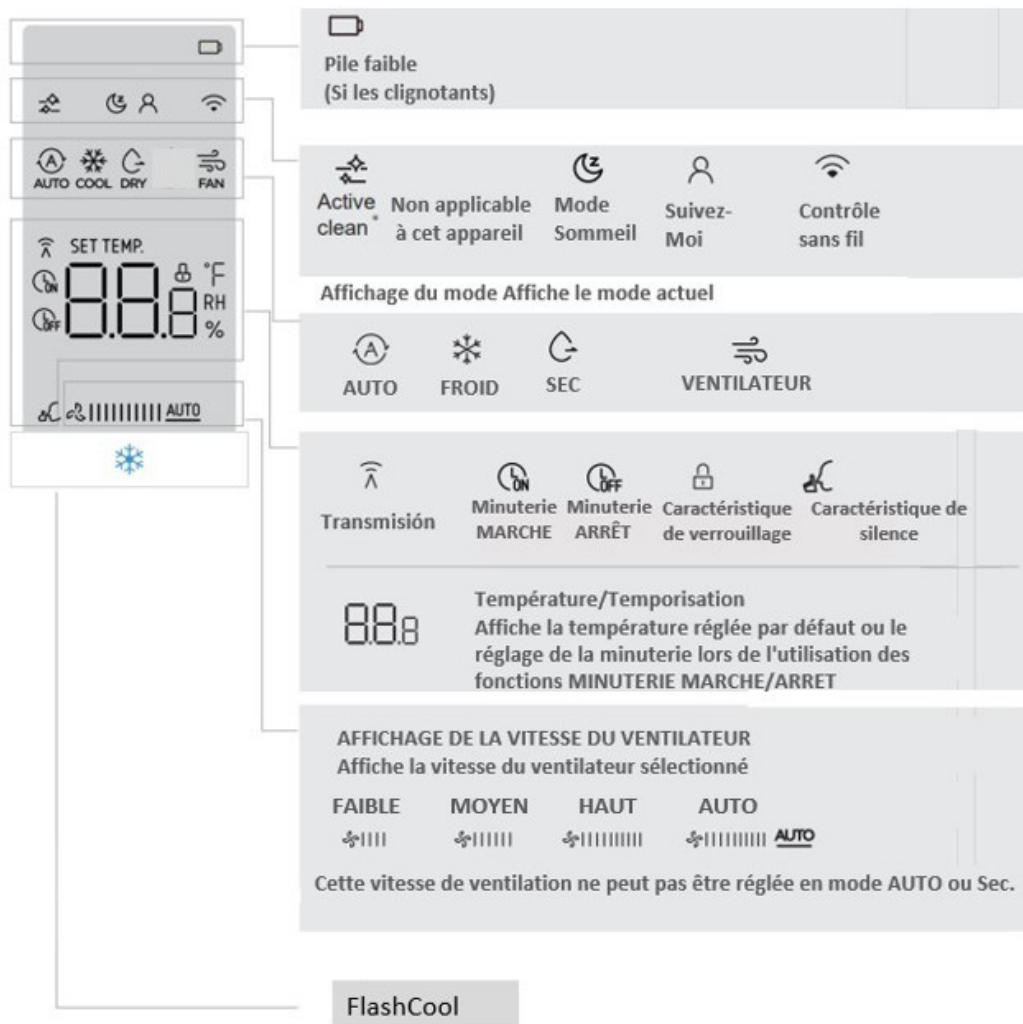
## TÉLÉCOMMANDE



- 1. Écran d'affichage:** Affiche la température réglée et les réglages de la minuterie. Pour modifier l'échelle de température affichée, appuyez sur la touche °C/°F Temperature scale being displayed, press the °C/°F button.
- 2. Bouton d'alimentation:** Permet d'allumer ou d'éteindre l'appareil.
- 3. Bouton Mode:** Permet de choisir le mode de fonctionnement.
- 4. Bouton d'économie d'énergie:** Permet d'activer le mode économie d'énergie. Appuyer à nouveau pour arrêter la fonction.
- 5. Flèche haut:** Permet de régler la température de consigne par incréments de 1° et la fonction de minuterie par incréments de 30 minutes jusqu'à 10 heures, puis par incréments de 1 heure jusqu'à 24 heures.
- 6. Flèche bas:** Permet de régler la température de consigne par incréments de 1° et la fonction de minuterie par incréments de 30 minutes jusqu'à 10 heures, puis par incréments de 1 heure jusqu'à 24 heures.
- 7. Fixe:** Permet de faire défiler les fonctions d'exploitation. Le symbole clignote à l'écran, appuyez sur ✓ pour confirmer la sélection.
- 8. ✓ :** Permet de confirmer la fonction sélectionnée.
- 9. FlashCool:** Permet à l'appareil d'atteindre la température pré réglée dans le temps le plus court possible. Ne peut être activé par la télécommande qu'en mode refroidissement.
- 10. Vitesse du ventilateur:** Permet de régler la vitesse du ventilateur. Quatre vitesses sont disponibles : AUTO, FAIBLE, MOYENNE, HAUTE. Appuyez sur la touche de vitesse du ventilateur et maintenez-la enfoncée pendant 3 secondes pour activer le mode " Silence ".
- 11. Bouton d'activation de la minuterie:** Permet de régler la minuterie de mise en marche automatique.
- 12. Bouton d'arrêt de la minuterie:** Permet de régler la minuterie d'arrêt automatique.
- 13. Bouton DEL:** Permet d'activer et de désactiver l'affichage LED de l'appareil et l'avertisseur sonore du climatiseur.
- 14. Bouton de sommeil:** Utilisé pour économiser de l'énergie pendant les heures de sommeil.
- 15. Bouton °C/°F:** Permet de changer l'échelle de température.

# INSTRUCTIONS D'UTILISATION

## INDICATEURS D'ÉCRAN DE LA TÉLÉCOMMANDE



### SOMMEIL

La fonction sommeil peut être utilisée pour économiser de l'énergie pendant les heures de sommeil.

Lorsque cette option est sélectionnée, la température réglée augmente de 1°C/2°F toutes les demi-heures pendant une heure entière. L'appareil maintient la nouvelle température réglée pendant 6 heures avant de revenir automatiquement au fonctionnement normal.

La fonction Sommeil peut être annulée à tout moment en appuyant sur le bouton Sommeil.

### Remarque:

La fonction Veille n'est pas disponible en mode Ventilation ou Séchage.

### SUIVEZ-MOI

La télécommande est équipée d'un capteur de température qui surveille la température ambiante. Gardez la télécommande à portée de main et l'appareil ajustera automatiquement la température de consigne en fonction de la température ambiante.

## INSTRUCTIONS D'UTILISATION

La télécommande affiche la température à l'endroit où elle se trouve. La télécommande envoie un signal au climatiseur toutes les 3 minutes, tant que vous restez dans le rayon d'action de l'appareil.

Le voyant "Suivez-moi" du panneau de commande s'allume pendant 5 secondes toutes les 3 minutes pour indiquer qu'il a reçu un signal de la part de la télécommande. Si l'appareil ne reçoit pas de signal de la télécommande pendant un intervalle de 7 minutes, il émet un signal sonore pour indiquer que le mode "Suivez-moi" est terminé.

La distance maximale pour la fonction "follow me" est de 8 mètres (26 pieds). Cette fonction est disponible en mode froid et en mode automatique.

**Remarque:** La fonction Suivez-moi est disponible en mode froid et en mode automatique.

### VERROUILLAGE

La fonction de verrouillage permet de verrouiller toutes les touches de la télécommande afin d'éviter toute modification accidentelle.

Appuyez simultanément sur les touches LED et °C/°F et maintenez-les enfoncées pendant au moins 5 secondes.

**Remarque:** La fonction de verrouillage peut être annulée en appuyant simultanément sur les touches LED et °C/°F pendant 2 secondes.

### FONCTION SILENCE

Cette fonction ne peut être activée que par la télécommande. Appuyez sur le bouton du ventilateur de la télécommande et maintenez-le enfoncé pendant 3 secondes pour activer la fonction de silence.

### MINUTERIE

#### Arrêt Automatique

1. Lorsque le climatiseur est en marche, appuyez sur le bouton de la minuterie pour activer la minuterie d'arrêt automatique.
2. Appuyez sur les boutons de contrôle de la température pour modifier l'heure réglée par incréments de 0,5 heure jusqu'à 10 heures, puis par incréments de 1 heure jusqu'à 24 heures.

#### Marche Automatique

1. Lorsque le climatiseur est éteint, appuyez sur le bouton de la minuterie pour activer la minuterie de mise en marche automatique.
2. Appuyez sur les boutons de contrôle de la température pour modifier l'heure réglée par incréments de 0,5 heure jusqu'à 10 heures, puis par incréments de 1 heure jusqu'à 24 heures.

#### Utilisation simultanée de l'activation et de l'arrêt automatiques

Les minuteries d'allumage automatique et d'extinction automatique peuvent être utilisées en même temps en réglant d'abord l'une, puis l'autre.

Par exemple, si le climatiseur est en marche, vous pouvez régler la minuterie d'arrêt automatique pour la laisser fonctionner pendant une durée définie avant de s'éteindre, puis régler la minuterie de mise en marche automatique pour la rallumer ultérieurement.

# INSTRUCTIONS D'UTILISATION

## Utilisation simultanée de l'activation et de l'arrêt automatiques continué

Ou, si le climatiseur ne fonctionne pas, vous pouvez régler la minuterie de mise en marche automatique pour l'allumer ultérieurement, puis régler la minuterie d'arrêt automatique pour qu'elle s'éteigne après avoir fonctionné pendant un certain temps.

**Remarque:** La minuterie ne mettra pas le climatiseur en marche et en arrêt indéfiniment. Les minuteries de mise en marche et d'arrêt automatiques fonctionneront une fois, puis le climatiseur retournera au fonctionnement normal.

Allumer ou éteindre le climatiseur à tout moment ou changer le réglage de la minuterie à 0.0 annulera les réglages de la minuterie.

**Remarque:** L'allumage automatique et l'extinction automatique sont des fonctions distinctes qui ne fonctionnent pas ensemble. L'activation ou la désactivation de l'interrupteur automatique déclenche la minuterie interne qui détermine le moment où la fonction s'enclenche.

Si l'on règle la minuterie de mise en marche automatique sur 1 heure, puis la minuterie d'arrêt automatique sur 2 heures, le climatiseur se met en marche 1 heure après l'heure actuelle et s'arrête 2 heures après l'heure actuelle, soit un total d'une heure d'activité. Le réglage de la minuterie d'arrêt automatique sur 2 heures, suivi du réglage de la minuterie de mise en marche automatique sur 2 heures, entraîne une heure d'inactivité.

## PILES DE LA TÉLÉCOMMANDE

La télécommande nécessite deux piles alcalines AAA (incluses). Les piles doivent être remplacées lorsque:

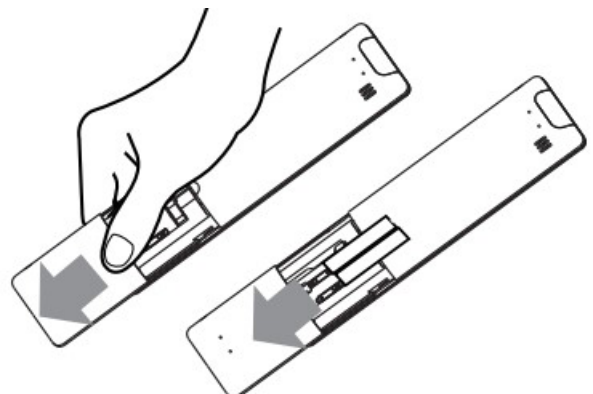
- L'appareil émet un bip lorsque le signal de la télécommande est reçu.
- Les rideaux, d'autres matériaux et la lumière directe du soleil peuvent interférer avec le récepteur de signaux infrarouges.

## Remplacement de la batterie:

- Faites glisser le couvercle arrière de la télécommande dans le sens de la flèche.
- Insérez deux piles AAA en suivant la même orientation que celle indiquée à l'intérieur du compartiment à piles (+/-).
- Réinstaller le couvercle arrière.
- Si la télécommande n'est pas utilisée pendant une période prolongée, les piles doivent être retirées.

## Remarque:

- Protégez la télécommande des températures élevées et ne l'exposez pas aux radiations.
- Ne pas exposer le récepteur du panneau de commande à la lumière directe du soleil.
- Ne pas mélanger les piles usagées et les piles neuves.
- Ne pas mélanger les piles alcalines, standard (carbone-zinc) ou rechargeables (ni-cad, ni-mh, etc.). Nettoyer les contacts de la pile ainsi que ceux de l'appareil avant l'installation de la pile. Retirer rapidement les piles usagées.
- La télécommande fonctionne dans un rayon de 8 mètres du récepteur situé à l'intérieur de l'appareil principal. Tout obstacle entre le récepteur et la télécommande peut provoquer des interférences, limitant ainsi la possibilité de programmer l'appareil principal.



# INSTRUCTIONS D'UTILISATION

## RÈGLEMENT SUR LA TÉLÉCOMMANDE

Cet équipement a été testé et s'est avéré conforme aux limites d'un appareil numérique de classe B, conformément à la partie 15 des règles de la FCC. Ces limites sont conçues pour fournir une protection raisonnable contre les interférences nuisibles dans une installation résidentielle. Cet équipement génère, utilise et peut émettre de l'énergie radiofréquence et, s'il n'est pas installé et utilisé conformément aux instructions, peut causer des interférences nuisibles aux communications radio. Cependant, il n'y a aucune garantie que des interférences ne se produiront pas dans une installation particulière.

Si cet équipement provoque des interférences nuisibles à la réception de la radio ou de la télévision, ce qui peut être déterminé en allumant et éteignant l'équipement, l'utilisateur est encouragé à essayer de corriger les interférences en prenant une ou plusieurs des mesures suivantes:

1. Réorienter ou déplacer l'antenne réceptrice.
2. Accroître la distance entre l'appareil et le récepteur.
3. Brancher l'appareil sur une prise de courant appartenant à un autre circuit que celui du récepteur.
4. Chercher de l'aide auprès du détaillant ou d'un technicien en radio ou en télévision expérimenté
5. Les changements ou modifications non approuvés par la partie responsable de la conformité FCC et Industry Canada peuvent annuler le droit de l'utilisateur à faire fonctionner l'équipement.

Cet appareil est conforme à la partie 15 des règles de la FCC. Son utilisation est soumise aux conditions suivantes :

1. Cet appareil ne doit pas provoquer d'interférences nuisibles.
2. Cet appareil doit accepter toute interférence reçue, y compris les interférences pouvant entraîner un fonctionnement indésirable.

Cet équipement est conforme aux limites d'exposition aux rayonnements FCC RF et IC RSS-102 définies pour un environnement non contrôlé. Cet équipement doit être installé et utilisé à une distance minimale de 20 cm (8 pouces) entre le radiateur et votre corps.

Cet appareil est conforme à la norme canadienne CAN ICES-003(B)/NMB-003(B)

## DÉCLARATION DE CONFORMITÉ DU FOURNISSEUR

47 CFR § 2.1077 Informations de conformité

**Identifiant unique :** Danby, RG10G5(D2)/BGCEFU1

**Coordonnées de la partie responsable aux États-Unis :**

Danby Products Inc.

1800 Production Drive

Findlay, OH

45840

**Numéro de téléphone ou coordonnées Internet :** Danby.com

**Déclaration de conformité FCC :** Cet appareil est conforme à la partie 15 des règles FCC. Le fonctionnement est soumis aux conditions suivantes :

1. Cet appareil ne doit pas provoquer d'interférences.
2. Cet appareil doit accepter toute interférence reçue, y compris les interférences susceptibles de provoquer un fonctionnement indésirable.

## SOINS ET ENTRETIEN

### FILTRE À AIR

Le filtre à air doit être nettoyé toutes les 4 semaines environ. Le filtre à air peut nécessiter un nettoyage plus fréquent en cas de présence importante de squames ou de fourrure dans l'air.

Toutes les quatre semaines environ, le voyant du filtre s'allume sur le panneau de commande pour vous rappeler de nettoyer le filtre. Suivez les étapes ci-dessous pour nettoyer le filtre et remettre l'appareil en état de fonctionnement normal.

1. Pousser la poignée d'aération en position d'aération fermée.
2. Le filtre à air est situé derrière la grille d'admission avant. Pour retirer le filtre à air, saisissez la grille des deux côtés et tirez doucement vers l'avant, puis retirez le filtre en le tirant vers le haut et vers l'extérieur.
3. Utilisez un aspirateur muni d'une brosse douce pour éliminer les gros débris et la poussière accumulés dans le filtre à air.
4. Lavez le filtre dans de l'eau tiède et savonneuse, à une température inférieure à 40°C (104°F), ou utilisez un produit de nettoyage neutre.
5. Rincez le filtre à l'eau claire et séchez-le soigneusement avant de le réinstaller dans l'appareil.
6. Appuyer sur le bouton filtre du panneau de commande pour reprendre le fonctionnement normal.

#### Remarque:

Ne pas faire fonctionner l'appareil si le filtre à air n'est pas installé.

### ERROR CODES

LO - La température ambiante est inférieure à 0°C (32°F)

HI - La température ambiante est supérieure à 37°C (99°F)

### NETTOYAGE

Pour éviter tout risque d'électrocution, assurez-vous que l'appareil est débranché avant d'effectuer un nettoyage ou une maintenance.

L'extérieur de l'appareil peut être nettoyé avec un chiffon doux ou avec un chiffon tiède et humide si nécessaire.

N'utilisez pas d'essence, de benzène, de diluant ou de tout autre produit chimique pour nettoyer cet appareil car ces substances peuvent endommager la finition et la déformation des pièces en plastique.

Ne versez jamais d'eau directement sur l'appareil, car cela entraînera une détérioration des composants électriques et de l'isolation des câbles.

### SOINS POUR LA FIN DE SAISON

Avant de retirer l'appareil du service pour l'année, faites fonctionner l'appareil sur le mode ventilateur élevé pendant une demi-journée pour vous assurer que l'intérieur de l'appareil est sec. Cela aidera à éviter la croissance de la moisissure ou de la moisissure à l'intérieur de l'appareil. Assurez-vous que le filtre est propre et sec. Rangez l'appareil dans un endroit sec.

#### Remarque:

Lors de l'installation ou de l'enlèvement de l'appareil de la fenêtre, veillez à ce qu'il soit prudent de l'empêcher de tomber vers l'arrière. Il est recommandé que l'installation ou l'enlèvement soit complété avec une assistance pour éviter les blessures aux personnes ou les dommages matériels ou l'appareil.

### DISPOSITION

Vérifiez la conformité réglementaire locale concernant l'élimination approuvée et sûre de cet appareil.

## QUESTIONS FRÉQUEMMENT POSÉES

### Puis-je laisser mon climatiseur en place pendant l'hiver ?

Non, ne laissez pas le climatiseur dans la fenêtre pendant l'hiver.

### Quelle est la puissance électrique ?

Ces informations se trouvent sur la plaque signalétique située sur le côté de l'appareil.

### Puis-je utiliser une rallonge ?

Non, une rallonge ne peut pas être utilisée.

### Est-ce qu'il doit y avoir de la mousse de polystyrène dans l'unité ?

La mousse de polystyrène qui se trouve à l'intérieur de l'unité agit comme isolant. Ne le retirez pas. Retirez uniquement les emballages en vrac.

### Pourquoi est-ce que j'entends de l'eau dans l'appareil ?

L'eau est collectée pendant le processus de climatisation et s'écoulera de l'unité vers le sol. C'est pourquoi l'unité doit être installée sur une légère inclinaison vers le bas vers l'extérieur.

### Pourquoi y a-t-il de la formation de givre dans l'appareil ?

Lorsque les températures extérieures sont inférieures à 18,3 °C (65 °F), du givre peut se former lorsque le climatiseur est en mode refroidissement. Mettez le climatiseur en mode ventilateur uniquement jusqu'à ce que le givre fonde.

## DÉPANNAGE

### Le climatiseur ne fonctionnera pas

- La fiche n'est pas complètement insérée dans la prise murale.
- Fusible ou disjoncteur grillé.
- Déclenchement de l'appareil à courant de fuite
  - Appuyer sur le bouton RESET de la fiche

### Refroidissement insuffisant

- Le filtre à air est sale.
- Flux d'air bloqué.
- La température de la pièce est inférieure à 16 °C (60 °F).
- La taille de l'appareil est trop petite pour l'application.

### Bruit

- Support inadéquat dans l'installation des fenêtres ; vérifiez que toutes les vis sont serrées et que l'installation est sécurisée.
- Le filtre à air est sale ou bouché.
- Les bruits de gargouillis sont normaux, c'est du liquide de refroidissement qui se déplace à l'intérieur de l'appareil.

### De l'eau qui goutte à l'intérieur

- L'appareil n'est pas correctement incliné pour permettre à l'eau de s'écouler vers l'extérieur.

### De l'eau qui coule à l'extérieur

- Les jours très chauds ou humides, il est normal que de l'eau s'écoule de l'arrière de l'appareil.

### Odeurs

- Habituellement causé par la formation de moisissures ou de mildiou sur les surfaces humides internes.
- Assurez-vous que le filtre est propre.
- Faites fonctionner le climatiseur en mode ventilateur pour éliminer toute humidité interne.



## GARANTIE LIMITÉE SUR APPAREIL ÉLECTROMÉNAGER À DOMICILE



Cet appareil de qualité est garanti exempt de tout vice de matière première et de fabrication, s'il est utilisé dans les conditions normales recommandées par le fabricant.

Cette garantie n'est offerte qu'à l'acheteur initial de l'appareil vendu par Danby Products Limited (Canada) ou Danby Products Inc. (E.- U.A.) (ci-après « Danby ») ou par l'un des ses distributeurs agréés et elle ne peut être transférée.

### CONDITIONS

Les pièces en plastique sont garanties pendant trente (30) jours seulement à partir de la date de l'achat, sans aucune prolongation prévue.

*Premiers 12 mois* Pendant les premiers douze (12) mois, toutes les pièces fonctionnelles de ce produit qui s'avèrent défectueuses seront réparées ou remplacées, selon le choix du garant, sans frais à l'acheteur INITIAL.

*Pour bénéficier du service* Le client sera responsable pour le transport et tous les frais d'expédition de tout appareil exigeant le service au dépôt de service autorisé le plus proche. S'adresser au détaillant qui a vendu l'appareil, ou à la station technique agréée de service la plus proche, où les réparations doivent être effectuées par un technicien qualifié. Si les réparations sont effectuées par quiconque autre que la station de service agréée où à des fins commerciales, toutes les obligations de Danby en vertu de cette garantie seront annulées.

*Limites de l'entretien à domicile* Si l'appareil est installé à plus de 100 kilomètres (62 milles) du centre de service le plus proche, il doit être livré à l'atelier de réparation autorisé par Danby le plus proche, car l'entretien doit uniquement être réalisé par un technicien qualifié et certifié pour effectuer un entretien couvert par la garantie de Danby. Les frais de transport entre votre domicile et le lieu de l'entretien ne sont pas couverts par la présente garantie et doivent être acquittés par l'acheteur.

Aucune partie de la garantie ne prévoit implicitement que le fabricant sera tenu responsable des dommages subis par les aliments ou d'autres types de contenu, qu'ils soient causés par la défectuosité de l'appareil ou par son usage adéquat ou inadéquat.

### EXCLUSIONS

En vertu de la présente, il n'existe aucune autre garantie, condition ou représentation, qu'elle soit exprimée ou tacite, de façon manifeste ou intentionnelle, par Danby ou ses distributeurs agréés. De même, sont exclues toutes les autres garanties, conditions ou représentations, y compris les garanties, conditions ou représentations en vertu de toute loi régissant la vente de produits ou de toute autre législation ou règlement semblables. En vertu de la présente, Danby ne peut être tenue responsable en cas de blessures corporelles ou des dégâts matériels, y compris à l'appareil, quelle qu'en soit les causes. Danby ne peut pas être tenue responsable des dommages indirects dus au fonctionnement défectueux de l'appareil. En achetant l'appareil, l'acheteur accepte de mettre à couvert et de dégager Danby de toute responsabilité en cas de réclamation pour toute blessure corporelle ou tout dégât matériel causé par cet appareil.

### CONDITIONS GÉNÉRALES

La garantie ou assurance ci-dessus ne s'applique pas si les dégâts ou réparations sont dus aux cas suivants :

- 1) Panne de courant.
- 2) Dommages subis pendant le transport ou le déplacement de l'appareil.
- 3) Alimentation électrique incorrecte (tension faible, câblage défectueux, fusibles incorrects).
- 4) Accident, modification, emploi abusif ou incorrect de l'appareil tel qu'une circulation d'air inadéquate dans la pièce ou des conditions de fonctionnement anormales (température extrêmement élevée ou basse).
- 5) Utilisation dans un but commercial ou industriel (à savoir, si l'appareil n'est pas installé dans un domicile résidentiel).
- 6) Incendie, dommages causés par l'eau, vol, guerre, émeute, hostilités, cas de force majeure (ouragan, inondation, etc.).
- 7) Visites d'un technicien pour expliquer le fonctionnement de l'appareil au propriétaire.
- 8) Installation inappropriée (par exemple, encastrement d'un appareil autoportant, ou utilisation extérieure d'un appareil non conçu à cet effet). Une preuve d'achat doit être présentée pour toute demande de réparation sous garantie. Prière de garder le reçu. Pour faire honorer la garantie, présenter ce document à la station technique agréée ou s'adresser à :

### Service sous garantie Service au domicile

Danby Products Limited  
PO Box 1778, Guelph, Ontario, Canada N1H 6Z9  
Téléphone : (519) 837-0920 Télécopieur: (519) 837-0449

**1-800-263-2629**  
03/14

Danby Products Inc.  
PO Box 669, Findlay, Ohio, U.S.A. 45840  
Téléphone: (419) 425-8627 Télécopieur: (419) 425-8629



**Importantes Instrucciones de Seguridad**  
**LEA Y SIGA TODAS LAS INSTRUCCIONES DE SEGURIDAD**



**Nota Importante: Lea este manual cuidadosamente antes de instalar u operar este aparato. Asegúrese de guardar el manual para referencia futuras.**

	PRECAUCIÓN	Muestra que el manual de funcionamiento debe leerse con atención.
	PRECAUCIÓN	Muestra que el personal de servicio debe manipular este equipo con referencia al manual de instalación.
	PRECAUCIÓN	Muestra que la información está disponible, como el manual de operación o el manual de instalación.



**PRECAUCIÓN: RIESGO DE INCENDIO**

Refrigerante inflamable utilizado. Al mantener o desechar el acondicionador de aire, no se debe permitir que el refrigerante se ventile al aire libre.

**¡GUARDE ESTAS INSTRUCCIONES!**



## Importantes Instrucciones de Seguridad

### LEA Y SIGA TODAS LAS INSTRUCCIONES DE SEGURIDAD



#### ADVERTENCIA

- La instalación debe realizarse de acuerdo con las instrucciones de instalación. Una instalación incorrecta puede provocar fugas de agua, descargas eléctricas o incendios.
- Utilice solo los accesorios y piezas incluidos y las herramientas especificadas para la instalación. El uso de piezas no estándar puede provocar fugas de agua, descargas eléctricas, incendios y lesiones o daños materiales.
- Asegúrese de que el tomacorriente que esté utilizando esté conectado a tierra y tenga el voltaje adecuado. El cable de alimentación está equipado con un enchufe con conexión a tierra de tres clavijas para protegerlo de los golpes. La información sobre el voltaje se puede encontrar en la placa de identificación de la unidad.
- Su unidad debe usarse en un receptáculo de pared con conexión a tierra adecuada. Si el receptáculo de pared que piensa usar no está adecuadamente conectado a tierra o protegido por un fusible de retardo de tiempo o un disyuntor (el fusible del disyuntor necesario está determinado por la corriente máxima de la unidad. La corriente máxima se indica en la placa de identificación ubicada en el unidad), haga que un electricista calificado instale el receptáculo adecuado.
- Instale la unidad en una superficie plana y resistente. El no hacerlo podría resultar en daños o ruido y vibración excesivos.
- La unidad debe mantenerse libre de obstrucciones para garantizar un funcionamiento adecuado y mitigar los riesgos de seguridad.
- No modifique la longitud del cable de alimentación ni utilice un cable de extensión para alimentar la unidad.
- No comparta un solo tomacorriente con otros aparatos eléctricos. Una fuente de alimentación inadecuada puede provocar incendios o descargas eléctricas.
- No instale su aire acondicionado en una habitación húmeda, como un baño o un lavadero. Demasiada exposición al agua puede provocar un cortocircuito en los componentes eléctricos.
- No instale la unidad en un lugar que pueda estar expuesto a combustibles, ya que esto podría provocar un incendio.
- La unidad tiene ruedas para facilitar el movimiento. Asegúrese de no utilizar las ruedas sobre alfombras gruesas o de rodar sobre objetos, ya que esto podría provocar un vuelco.
- No opere una unidad que se haya caído o dañado.
- El aparato con calentador eléctrico debe tener al menos 1 metro de espacio de materiales combustibles.
- No toque la unidad con las manos mojadas o húmedas o cuando esté descalzo.
- Si el aire acondicionado se vuelca durante el uso, apague la unidad y desconéctela de la fuente de alimentación principal inmediatamente. Inspeccione visualmente la unidad para asegurarse de que no haya daños. Si sospecha que la unidad se ha dañado, póngase en contacto con un técnico o con el servicio de atención al cliente para obtener ayuda.
- En una tormenta eléctrica, se debe cortar la energía para evitar daños a la máquina debido a los rayos.
- Su acondicionador de aire debe usarse de tal manera que esté protegido de la humedad. p.ej. condensación, salpicaduras de agua, etc. No coloque ni guarde el acondicionador de aire donde pueda caer o ser arrastrado al agua o cualquier otro líquido. Desenchufe inmediatamente si esto ocurre.
- Todo el cableado debe realizarse estrictamente de acuerdo con la ubicación del diagrama de cableado dentro de la unidad.
- La placa de circuito de la unidad (PCB) está diseñada con un fusible para proporcionar protección contra sobrecorriente. Las especificaciones del fusible están impresas en la placa de circuito.
- Cuando la función de drenaje de agua no esté en uso, mantenga los tapones de drenaje superior e inferior firmemente instalados en la unidad. Los tapones de drenaje pueden representar un peligro de asfixia para los niños.

**¡GUARDE ESTAS INSTRUCCIONES!**



## Importantes Instrucciones de Seguridad

### LEA Y SIGA TODAS LAS INSTRUCCIONES DE SEGURIDAD



#### ADVERTENCIA

- Este electrodoméstico no está diseñado para que lo utilicen personas (incluidos niños) cuyas capacidades físicas, sensoriales o mentales puedan ser diferentes o reducidas, o que carezcan de experiencia o conocimientos, a menos que dichas personas reciban supervisión o capacitación para operar el electrodoméstico por una persona responsable de su la seguridad. Los niños deben ser supervisados para asegurarse de que no jueguen con el aparato. Los niños deben ser supervisados alrededor de la unidad en todo momento.
- Si el cable de alimentación está dañado, debe ser reemplazado por el fabricante, su agente de servicio o personas calificadas de manera similar para evitar un peligro.
- Antes de la limpieza u otro mantenimiento, el aparato debe desconectarse de la fuente de alimentación.
- No retire ninguna cubierta fija. Nunca use este aparato si no funciona correctamente o si se ha caído o dañado.
- No pase el cable debajo de la alfombra. No cubra el cable con tapetes, tapetes o revestimientos similares. No coloque el cable debajo de muebles o electrodomésticos. Disponga los cables lejos del tráfico y donde no se puedan tropezar.
- No opere una unidad con un cable de alimentación, enchufe, fusible de alimentación o disyuntor dañados. Deseche la unidad o devuélvala a un centro de servicio autorizado para su revisión y / o reparación.
- Para reducir el riesgo de incendio o descarga eléctrica, no use este acondicionador de aire con ningún dispositivo de control de velocidad de estado sólido.
- El aparato debe instalarse de acuerdo con las regulaciones nacionales de cableado.
- Comuníquese con el técnico de servicio autorizado para la reparación o el mantenimiento de esta unidad.
- Comuníquese con el instalador de servicio autorizado para la instalación de esta unidad.
- No cubra ni obstruya las rejillas de entrada o salida.
- No utilice este producto para funciones distintas a las descritas en este manual de instrucciones.
- Antes de limpiar, apague la alimentación y desenchufe la unidad.
- Desconecte la alimentación si emite sonidos, olores o humo extraños.
- No presione los botones del panel de control con nada más que los dedos.
- No retire ninguna cubierta fija. Nunca use este aparato si no funciona correctamente o si se ha caído o dañado.
- No opere ni detenga la unidad insertando o desconectando el cable de alimentación.
- No utilice productos químicos peligrosos para limpiar o entrar en contacto con la unidad. No utilice la unidad en presencia de sustancias inflamables o vapores como alcohol, insecticidas, gasolina, etc.
- Siempre transporte su aire acondicionado en posición vertical y párese sobre una superficie estable y nivelada durante el uso.
- Póngase siempre en contacto con una persona calificada para realizar las reparaciones. Si el cable de alimentación dañado debe reemplazarse por un cable de alimentación nuevo obtenido del fabricante del producto y no debe repararse.
- Sostenga el enchufe por la cabeza del enchufe de alimentación cuando lo retire.
- Apague el aparato cuando no esté en uso.

**¡GUARDE ESTAS INSTRUCCIONES!**



## Importantes Instrucciones de Seguridad

### LEA Y SIGA TODAS LAS INSTRUCCIONES DE SEGURIDAD



#### Nota sobre gases fluorados

- Los gases fluorados de efecto invernadero están contenidos en equipos herméticamente sellados. Para obtener información específica sobre el tipo, la cantidad y el equivalente de CO<sub>2</sub> en toneladas de gas fluorado de efecto invernadero en algunos modelos. Consulte la etiqueta correspondiente en la propia unidad.
- La instalación, el servicio, el mantenimiento y la reparación de esta unidad deben ser realizados por un técnico certificado.
- La instalación y el reciclaje del producto deben ser realizados por un técnico certificado.

#### ADVERTENCIA por el uso de refrigerante R32

- No utilice medios para acelerar el proceso de descongelación o para limpiar distintos de los recomendados por el fabricante.
- El artefacto debe almacenarse en una habitación sin fuentes de ignición en funcionamiento continuo, por ejemplo, llamas abiertas, un artefacto de gas en funcionamiento o un calentador eléctrico en funcionamiento.
- No perforar ni quemar.
- Tenga en cuenta que los refrigerantes pueden no tener olor.
- El aparato debe instalarse, operarse y almacenarse en una habitación con un área de piso acorde a la cantidad de refrigerante a cargar. Para obtener información específica sobre el tipo de gas y la cantidad, consulte la etiqueta correspondiente en la unidad. Cuando existan diferencias entre la etiqueta y el manual sobre la descripción del área mínima de la habitación, prevalecerá la descripción en la etiqueta.
- Deberá observarse el cumplimiento de las normativas nacionales sobre gas.
- Mantenga las aberturas de ventilación libres de obstrucciones.
- El aparato debe almacenarse de manera que se evite que se produzcan daños mecánicos.
- Una advertencia de que el aparato debe almacenarse en un área bien ventilada donde el tamaño de la habitación corresponde al área de la habitación según lo especificado para su funcionamiento.
- Cualquier persona involucrada en el trabajo en el circuito de refrigerante debe tener un certificado vigente y válido de una autoridad de evaluación acreditada por la industria que autorice su competencia para manejar refrigerantes de manera segura de acuerdo con una especificación de evaluación reconocida por la industria. Ejemplos de estos trabajos son: irrupción en el circuito de refrigeración; apertura de componentes sellados; apertura de recintos ventilados.
- El servicio solo se realizará según lo recomendado por el fabricante. El mantenimiento y las reparaciones que requieran la asistencia de otro personal calificado se realizarán bajo la supervisión de una persona competente en el uso de refrigerantes inflamables.
- Siga las instrucciones cuidadosamente para manipular, instalar, limpiar y reparar el aire acondicionado para evitar daños o peligros. En este acondicionador de aire se utiliza refrigerante inflamable R32. Al mantener o desechar el aire acondicionado, el refrigerante debe recuperarse adecuadamente y no debe permitirse que se descargue directamente al aire.
- No debe haber fuego abierto o un dispositivo como un interruptor que pueda generar chispas / arcos eléctricos alrededor del aire acondicionado para evitar que se encienda el refrigerante inflamable utilizado.
- Siga las instrucciones cuidadosamente para almacenar o mantener el aire acondicionado para evitar que se produzcan daños mecánicos.
- El refrigerante inflamable -R32 se utiliza en el aire acondicionado. Siga las instrucciones cuidadosamente para evitar cualquier peligro. Para obtener información específica sobre el tipo de gas y la cantidad, consulte la etiqueta correspondiente en la unidad.
- El aparato se almacenará en una habitación sin llamas abiertas en funcionamiento continuo (por ejemplo, un aparato de gas en funcionamiento) ni fuentes de ignición (por ejemplo, un calentador eléctrico en funcionamiento).

**Transporte de equipos que contienen refrigerantes inflamables:** Ver normativa de transporte.

**Marcado de equipos mediante carteles:** Consulte las normativas locales.

**Eliminación de equipos que utilizan refrigerantes inflamables:** Consulte la normativa nacional.

**Almacenamiento de equipos / electrodomésticos:** El almacenamiento del equipo debe realizarse de acuerdo con las instrucciones del fabricante.

**Almacenamiento de equipos embalados (no vendidos):** La protección del paquete de almacenamiento debe estar construida de manera que el daño mecánico al equipo dentro del paquete no cause una fuga de la carga de refrigerante. La normativa local determinará el número máximo de equipos que se permite almacenar juntos.

**¡GUARDE ESTAS INSTRUCCIONES!**



# Importantes Instrucciones de Seguridad

## LEA Y SIGA TODAS LAS INSTRUCCIONES DE SEGURIDAD



### Información sobre mantenimiento

- 1. Controles en el área:** antes de comenzar a trabajar en sistemas que contienen refrigerantes inflamables, es necesario realizar controles de seguridad para garantizar que se minimice el riesgo de ignición. Para reparar el sistema de refrigeración, se deben cumplir las siguientes precauciones antes de realizar trabajos en el sistema.
- 2. Procedimiento de trabajo:** El trabajo se debe realizar bajo un procedimiento controlado para minimizar el riesgo de presencia de un gas o vapor inflamable mientras se realiza el trabajo.
- 3. Área de trabajo general:** Todo el personal de mantenimiento y otras personas que trabajen en el área local deben recibir instrucciones sobre la naturaleza del trabajo que se está realizando. Se evitará el trabajo en espacios confinados. El área alrededor del espacio de trabajo debe estar seccionada. Asegúrese de que las condiciones dentro del área de trabajo sean seguras eliminando todo el material inflamable.
- 4. Comprobación de la presencia de refrigerante:** El área debe comprobarse con un detector de refrigerante adecuado antes y durante el trabajo para garantizar que el técnico esté al tanto de atmósferas potencialmente inflamables. Asegúrese de que el equipo de detección de fugas que se utiliza sea adecuado para su uso con refrigerantes inflamables, es decir, que no produzcan chispas, que estén adecuadamente sellados e intrínsecamente seguros.
- 5. Presencia de extintor de incendios:** Si se va a realizar algún trabajo en caliente en el equipo de refrigeración o en cualquier parte asociada, se deberá disponer de un equipo de extinción de incendios apropiado. Tenga un extintor de polvo seco o CO<sub>2</sub> adyacente al área de trabajo.
- 6. Sin fuentes de ignición:** Ninguna persona que realice trabajos relacionados con un sistema de refrigeración que impliquen exponer cualquier trabajo de tubería que contenga o haya contenido refrigerante inflamable deberá utilizar cualquier fuente de ignición de tal manera que pueda generar riesgo de incendio o explosión. Todas las posibles fuentes de ignición, incluido el tabaquismo, deben mantenerse lo suficientemente lejos del lugar de instalación, reparación, eliminación y eliminación durante el cual posiblemente se pueda liberar refrigerante inflamable al espacio circundante. Antes de que se lleve a cabo el trabajo, se debe inspeccionar el área alrededor del equipo para asegurarse de que no haya peligros inflamables o riesgos de ignición. Se exhibirán carteles de no fumar.
- 7. Área ventilada:** asegúrese de que el área esté al aire libre o que esté adecuadamente ventilada antes de ingresar al sistema o realizar cualquier trabajo en caliente. Se mantendrá cierto grado de ventilación durante el período en que se lleve a cabo el trabajo. La ventilación debe dispersar de manera segura cualquier refrigerante liberado y, preferiblemente, expulsarlo al exterior a la atmósfera.
- 8. Comprobaciones del equipo de refrigeración:** Cuando se cambien componentes eléctricos, estos deberán ser adecuados para el propósito y las especificaciones correctas. En todo momento se deben seguir las pautas de mantenimiento y servicio del fabricante. En caso de duda, consulte con el departamento técnico del fabricante para obtener ayuda. Se aplicarán las siguientes comprobaciones a las instalaciones que utilicen refrigerantes inflamables:
  - El tamaño de la carga está de acuerdo con el tamaño de la habitación en la que se instalan las piezas que contienen refrigerante.
  - La maquinaria de ventilación y las salidas funcionan adecuadamente y no están obstruidas.
  - Si se está utilizando un circuito de refrigeración indirecto, se debe verificar la presencia de refrigerante en el circuito secundario.
  - La marca del equipo sigue siendo visible y legible. Las marcas y los letreros que se vuelven ilegibles deben corregirse.
  - La tubería o los componentes de refrigeración se instalan en una posición en la que es poco probable que estén expuestos a cualquier sustancia que pueda corroer los componentes que contienen refrigerante, a menos que los componentes estén fabricados con materiales que sean inherentemente resistentes a la corrosión o que estén adecuadamente protegidos contra la corrosión.
- 9. Comprobaciones de los dispositivos eléctricos:** la reparación y el mantenimiento de los componentes eléctricos deben incluir comprobaciones de seguridad iniciales y procedimientos de inspección de componentes. Si existe una falla que pueda comprometer la seguridad, no se debe conectar ningún suministro eléctrico al circuito hasta que se solucione satisfactoriamente. Si la falla no se puede corregir de inmediato pero es necesario continuar la operación, se debe utilizar una solución temporal adecuada. Esto se informará al propietario del equipo para que se informe a todas las partes. Las comprobaciones iniciales de seguridad incluirán:
  - Que los condensadores estén descargados. Esto se debe hacer de manera segura para evitar la posibilidad de chispas.
  - Que no se exponga ningún cableado ni componentes eléctricos activos durante la carga, recuperación o purga del sistema.
  - Que hay continuidad de la conexión a tierra.

**¡GUARDE ESTAS INSTRUCCIONES!**



### Les composants électriques scellés sont remplacés

1. Durante las reparaciones de componentes sellados, todos los suministros eléctricos deben desconectarse del equipo en el que se está trabajando antes de retirar las cubiertas selladas, etc. Si es absolutamente necesario tener un suministro eléctrico al equipo durante el servicio, entonces una forma de detección de fugas que funcione permanentemente se ubicará en el punto más crítico para advertir de una situación potencialmente peligrosa.
2. Para asegurarse de que al trabajar en componentes eléctricos, la carcasa no se altere de tal manera que se vea afectado el nivel de protección, se debe prestar especial atención a lo siguiente:
  - Daños en los cables, número excesivo de conexiones, terminales no hechos a la especificación original, daños en las juntas, montaje incorrecto de los prensaestopas, etc.
  - Asegúrese de que el aparato esté montado de forma segura.
  - Asegúrese de que los sellos o materiales de sellado no se hayan degradado de manera que ya no sirvan para evitar la entrada de atmósferas inflamables. Las piezas de repuesto deben estar de acuerdo con las especificaciones del fabricante.

Nota: El uso de sellador de silicona puede inhibir la eficacia de algunos tipos de equipos de detección de fugas. No es necesario aislar los componentes intrínsecamente seguros antes de trabajar en ellos.

### Los componentes intrínsecamente seguros deben sustituirse

No aplique ninguna carga inductiva o capacitiva permanente al circuito sin asegurarse de que esto no exceda el voltaje y la corriente permitidos para el equipo en uso. Los componentes intrínsecamente seguros son los únicos tipos en los que se puede trabajar mientras están vivos en presencia de una atmósfera inflamable. El aparato de prueba debe tener la clasificación correcta. Reemplace los componentes solo con piezas especificadas por el fabricante. Otras partes pueden provocar la ignición del refrigerante en la atmósfera debido a una fuga.

### Cableado

Compruebe que el cableado no esté sujeto a desgaste, corrosión, presión excesiva, vibración, bordes afilados o cualquier otro efecto ambiental adverso. La verificación también debe tener en cuenta los efectos del envejecimiento o la vibración continua de fuentes como compresores o ventiladores.

### Detección de refrigerantes inflamables.

Bajo ninguna circunstancia deben utilizarse fuentes potenciales de ignición en la búsqueda o detección de fugas de refrigerante. No se debe usar una antorcha de halogenuros o cualquier otro detector que use una llama desnuda. Los siguientes métodos de detección de fugas se consideran aceptables para sistemas que contengan refrigerantes inflamables. Se utilizarán detectores electrónicos de fugas para detectar refrigerantes inflamables, aunque es posible que la sensibilidad no sea la adecuada o que sea necesario recalibrarlos (el equipo de detección se calibrará en una zona libre de refrigerantes). Asegúrese de que el detector no sea una fuente potencial de ignición y sea adecuado para el refrigerante utilizado.



### Métodos de detección de fugas

Los siguientes métodos de detección de fugas se consideran aceptables para sistemas que contienen refrigerantes inflamables:

- Se deben usar detectores electrónicos de fugas para detectar refrigerantes inflamables, pero la sensibilidad puede no ser adecuada o puede necesitar una recalibración. El equipo de detección debe estar calibrado en un área libre de refrigerante. Asegúrese de que el detector no sea una fuente potencial de ignición y que sea adecuado para el refrigerante utilizado.
- El equipo de detección de fugas se fijará en un porcentaje del LFL del refrigerante y se calibrará para el refrigerante empleado y se confirmará el porcentaje apropiado de gas (25% máximo).
- Los fluidos de detección de fugas son adecuados para el uso con la mayoría de los refrigerantes, pero se debe evitar el uso de detergentes que contengan cloro, ya que el cloro puede reaccionar con el refrigerante y corroer el cobre o las tuberías.
- Si se sospecha una fuga, todas las llamas descubiertas deben retirarse o extinguirse.
- Si se encuentra una fuga de refrigerante que requiere soldadura fuerte, todo el refrigerante se recuperará del sistema o se aislará mediante válvulas de cierre en una parte del sistema alejada de la fuga. El nitrógeno libre de oxígeno (OFN) se purgará a través del sistema antes y durante el proceso de soldadura fuerte.

### Traslado y evacuación

Al entrar en el circuito de refrigerante para realizar reparaciones o para cualquier otro propósito, se deben utilizar procedimientos convencionales. Sin embargo, es importante que se sigan las mejores prácticas ya que la inflamabilidad es una consideración. Se seguirán los siguientes procedimientos:

- Elimine el refrigerante de forma segura siguiendo la normativa local y nacional;
- Evacuen;
- Purgar el circuito con gas inerte (opcional para A2L);
- Evacuen;
- Lavar o purgar continuamente con gas inerte cuando se utilice la llama para abrir el circuito; y
- Abrir el circuito.

La carga de refrigerante se recuperará en los cilindros de recuperación correctos si la ventilación no está permitida por los códigos locales y nacionales. En el caso de aparatos que contengan refrigerantes inflamables, el sistema se purgará con refrigerantes no inflamables sin oxígeno. Puede ser necesario repetir este proceso varias veces. No se utilizará aire comprimido ni oxígeno para purgar los sistemas de refrigerantes.

En el caso de aparatos que contengan refrigerantes inflamables, la purga de refrigerantes se realizará rompiendo el vacío en el sistema con nitrógeno libre de oxígeno y continuando el llenado hasta alcanzar la presión de trabajo, ventilando a continuación a la atmósfera y, por último, reduciendo el vacío (opcional para A2L). Este proceso se repetirá hasta que no quede refrigerante en el sistema (opcional para A2L). Cuando se utilice la carga final de nitrógeno libre de oxígeno, el sistema se purgará hasta la presión atmosférica para permitir que se realice el trabajo.

La salida de la bomba de vacío no deberá estar cerca de ninguna fuente potencial de ignición y deberá disponerse de ventilación.



## Importantes Instrucciones de Seguridad

### LEA Y SIGA TODAS LAS INSTRUCCIONES DE SEGURIDAD



### Procedimientos de carga

Además de los procedimientos de carga convencionales, se deben seguir los siguientes requisitos:

- Asegúrese de que no se contamine con refrigerantes diferentes cuando utilice equipos de carga. Las mangueras o líneas deben ser lo más cortas posible para minimizar la cantidad de refrigerante que contienen.
- Los cilindros se mantendrán en posición vertical.
- Asegúrese de que el sistema de refrigeración esté conectado a tierra antes de cargar el sistema con refrigerante.
- Etiquete el sistema cuando se complete la carga, si no está ya etiquetado.
- Se debe tener mucho cuidado de no sobrecargar el sistema de refrigeración.
- Antes de recargar el sistema, se someterá a prueba de presión con OFN. El sistema debe ser probado contra fugas al finalizar la carga pero antes de la puesta en servicio. Se realizará una prueba de fugas de seguimiento antes de abandonar el sitio.

### Desmantelamiento

Antes de llevar a cabo este procedimiento, es esencial que el técnico esté completamente familiarizado con el equipo en todo su detalle. Se recomienda una buena práctica que todos los refrigerantes se recuperen de manera segura. Antes de realizar la tarea, se debe tomar una muestra de aceite y refrigerante en caso de que se requiera un análisis antes de reutilizar el refrigerante recuperado. Es esencial que la energía eléctrica esté disponible antes de comenzar la tarea.

- A. Familiarizarse con el equipo y su funcionamiento.
- B. Sistema de aislamiento eléctrico.
- C. Antes de intentar el procedimiento, asegúrese de que:
  - El equipo de manejo mecánico está disponible si es necesario para el manejo de cilindros de refrigerante.
  - Todo el equipo de protección personal está disponible y se está utilizando correctamente.
  - El proceso de recuperación es supervisado en todo momento por una persona competente.
  - Los equipos y cilindros de recuperación cumplen con las normas apropiadas.
- D. Bombear el sistema de refrigerante, si es posible.
- E. Si no es posible un vacío, haga un colector para que se pueda eliminar el refrigerante de varias partes del sistema.
- F. Asegúrese de que el cilindro esté situado en la balanza antes de que tenga lugar la recuperación.
- G. Arranque la máquina de recuperación y opere de acuerdo con las instrucciones del fabricante.
- H. No llene en exceso los cilindros. No más del 80% de volumen de carga líquida.
- I. No exceda la presión máxima de trabajo del cilindro, ni siquiera temporalmente.
- J. Cuando los cilindros se hayan llenado correctamente y se haya completado el proceso, asegúrese de que los cilindros y el equipo se retiren del sitio rápidamente y que todas las válvulas de aislamiento del equipo estén cerradas.
- K. El refrigerante recuperado no debe cargarse en otro sistema de refrigeración a menos que se haya limpiado y revisado.

**¡GUARDE ESTAS INSTRUCCIONES!**



## Importantes Instrucciones de Seguridad

### LEA Y SIGA TODAS LAS INSTRUCCIONES DE SEGURIDAD



#### Etiquetado

El equipo debe estar etiquetado indicando que ha sido retirado del servicio y vaciado de refrigerante. La etiqueta deberá estar fechada y firmada. Asegúrese de que haya etiquetas en el equipo que indiquen que el equipo contiene refrigerante inflamable.

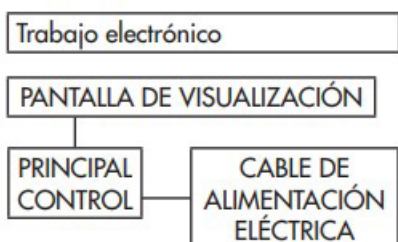
#### Recuperación

Cuando se retira refrigerante de un sistema, ya sea para servicio o cierre, se recomienda que todos los refrigerantes se eliminen de manera segura.

Cuando transfiera refrigerante a los cilindros, asegúrese de que solo se utilicen los cilindros apropiados para recuperar el refrigerante. Asegúrese de que esté disponible el número correcto de cilindros para mantener la carga total del sistema. Todos los cilindros que se utilizarán están diseñados para el refrigerante recuperado y etiquetados para ese refrigerante, es decir, cilindros especiales para la recuperación de refrigerante. Los cilindros deben estar completos con válvula de alivio de presión y válvulas de cierre asociadas en buen estado de funcionamiento. Los cilindros de recuperación vacíos se evacúan y, si es posible, se enfrían antes de que se produzca la recuperación.

El equipo de recuperación debe estar en buen estado de funcionamiento con un conjunto de instrucciones sobre el equipo que se encuentra a mano y debe ser adecuado para la recuperación de refrigerantes inflamables. Además, un conjunto de balanzas calibradas estará disponible y en buen estado de funcionamiento. Las mangueras deben estar completas con acoplamientos de desconexión sin fugas y en buenas condiciones. Antes de usar la máquina de recuperación, verifique que esté en buen estado de funcionamiento, que se haya mantenido correctamente y que todos los componentes eléctricos asociados estén sellados para evitar la ignición en caso de una fuga de refrigerante. Consulte al fabricante en caso de duda.

El refrigerante recuperado se devolverá al proveedor de refrigerante en el cilindro de recuperación correcto y se dispondrá la nota de transferencia de residuos correspondiente. No mezcle refrigerantes en unidades de recuperación y especialmente en cilindros. Si se deben retirar los compresores o los aceites de compresores, asegúrese de que hayan sido evacuados a un nivel aceptable para asegurarse de que no quede refrigerante inflamable dentro del lubricante. El proceso de evacuación se llevará a cabo antes de devolver el compresor a los proveedores. Para acelerar este proceso solo debe emplearse calentamiento eléctrico del cuerpo del compresor. Cuando el aceite se drena de un sistema, debe llevarse a cabo de manera segura.



Advertencia: antes de realizar cualquier trabajo eléctrico o de cableado, apague la potencia principal del sistema.

Nota: Las fotografías son solo para fines de explicación. Su aparato puede ser ligeramente diferente. La forma real prevalecerá.

**¡GUARDE ESTAS INSTRUCCIONES!**

# INSTRUCCIONES DE INSTALACIÓN

## UBICACIÓN

Este aire acondicionado está diseñado para ventanas de una o dos ventanas. Dado que los diseños de las ventanas varían, puede ser necesario hacer algunas modificaciones para una instalación segura.

Este acondicionador de aire no está diseñado para ventanas verticales de tipo deslizante o para instalación "a través de la pared".

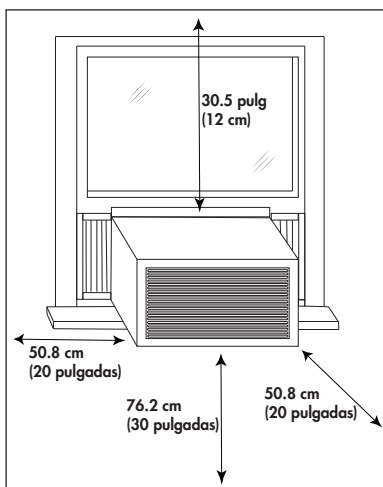
Asegúrese de que la ventana y el marco estén estructuralmente firmes y libres de madera seca o podrida.

Instale el aire acondicionado en una ventana en un costado del edificio que favorezca más sombra que la luz solar. Si el electrodoméstico debe estar expuesto a la luz solar directa, se recomienda proporcionar un toldo de sombra sobre el electrodoméstico para garantizar un funcionamiento eficiente.

No instale el aparato donde se sospeche una fuga de gas combustible.

Este aparato está diseñado para evaporar la condensación en condiciones normales. En condiciones extremadamente cálidas o húmedas, el exceso de condensación puede desbordarse hacia el exterior. El aparato debe instalarse donde la condensación no pueda gotear sobre peatones o propiedades vecinas.

Deje suficiente espacio alrededor del aparato para permitir una amplia circulación de aire. La parte posterior del aparato debe estar al aire libre, no debe estar en un garaje u otra habitación. Mantenga el aparato alejado de obstáculos y al menos a 76 cm (30") del suelo. Asegúrese de que las cortinas y otras obstrucciones no bloqueen el flujo de aire al aparato.



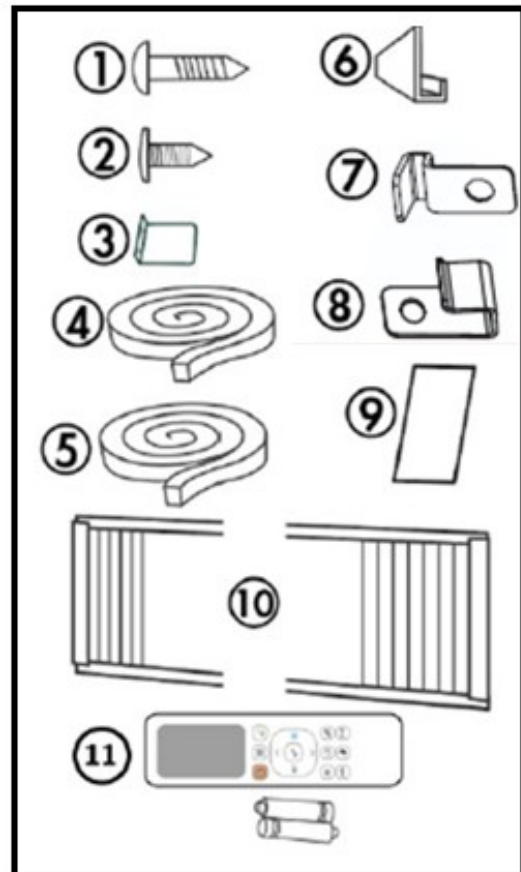
## HERRAMIENTAS REQUERIDAS

- Destornilladores: Phillips y cabeza plana.
- Taladro eléctrico: 3.2 mm (1/8 pulgada) de diámetro de la broca
- Lápiz
- Cinta métrica
- Tijeras
- Nivel de carpintero

## ACCESORIOS

Los siguientes accesorios se incluyen con el aparato y se deben utilizar durante la instalación.

1. Tornillos de 13 mm (1/2") (x7)
2. Tornillos de 9,5 mm (3/8") (X4)
3. Cerradura de seguridad
4. Sello de espuma adhesiva
5. Sello de espuma regular
6. Soporte de montaje en forma de "L"
7. Soporte para ventanas de madera (x2)
8. Soporte para ventanas de vinilo (x2)
9. Burlete (x5)
10. Cortinas laterales (x2)
11. Mando a distancia y pilas



# INSTRUCCIONES DE INSTALACIÓN

## INSTALACIÓN

Fije las cortinas laterales al aparato deslizando el marco de la cortina en el canal lateral del gabinete. Las cortinas están etiquetadas como "izquierda" y "derecha" en los marcos. Esto se refiere a los lados izquierdo y derecho del aparato cuando se mira hacia la parte frontal del aparato.

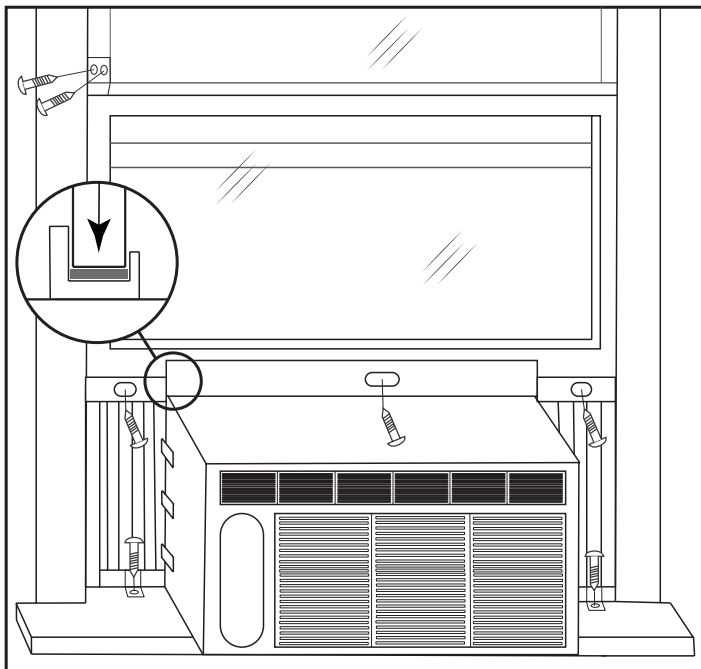
Corte el sello de espuma regular para que se ajuste al área del alféizar de la ventana sobre la que descansará el aire acondicionado.

Coloque el aire acondicionado en la ventana con el soporte de montaje en forma de "L" colocado frente a la hoja superior. La parte inferior del gabinete debe colocarse en la parte empotrada del marco de la ventana. Tire de la hoja superior de la ventana hacia abajo hasta que descansa justo detrás de la brida delantera del soporte de montaje en forma de "L".

Expanda las cortinas laterales en cada lado y asegure la parte superior de los marcos al marco de la ventana con un tornillo de 13 mm (1/2") en cada lado del soporte de montaje en forma de "L".

Fije las abrazaderas en la parte inferior de cada cortina al alféizar de la ventana con un tornillo de 13 mm (1/2") a cada lado del gabinete.

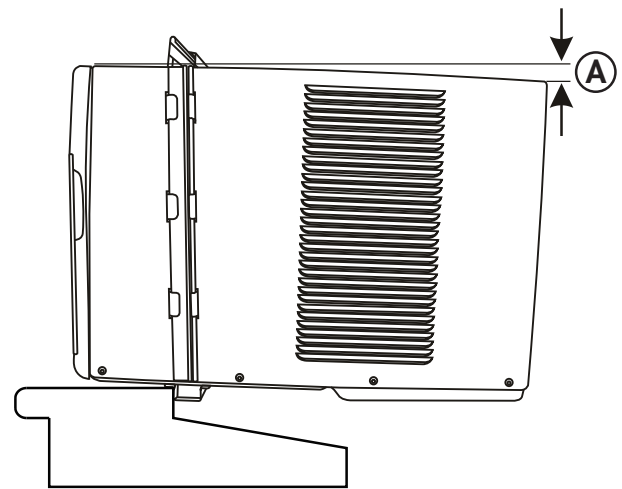
Coloque el sello de espuma adhesiva en la abertura entre las ventanas interior y exterior y fije la cerradura de seguridad al marco de la ventana exterior con dos tornillos de 13 mm (1/2").



## COMPRUEBE EL ÁNGULO DE INCLINACIÓN

El acondicionador de aire debe inclinarse hacia abajo hacia el exterior aproximadamente de 3° a 4°. Esta inclinación estimulará el drenaje del agua condensada hacia el exterior. Si hay fugas de agua condensada en el interior de la casa, compruebe el ángulo de inclinación y ajuste si es necesario.

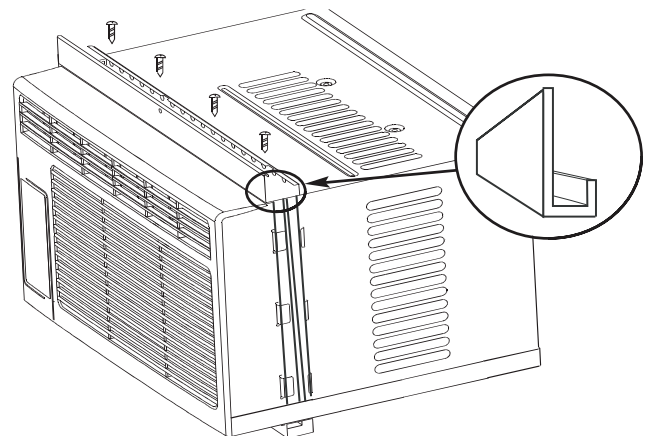
Mida el ángulo de inclinación desde el frente del borde del gabinete. La diferencia de altura entre la parte delantera y la parte posterior del aparato, denominada "A" en la imagen inferior, debe ser de aproximadamente 3 - 4°.



## SOPORTE L

El soporte en forma de "L" puede venir instalado de fábrica en algunos modelos.

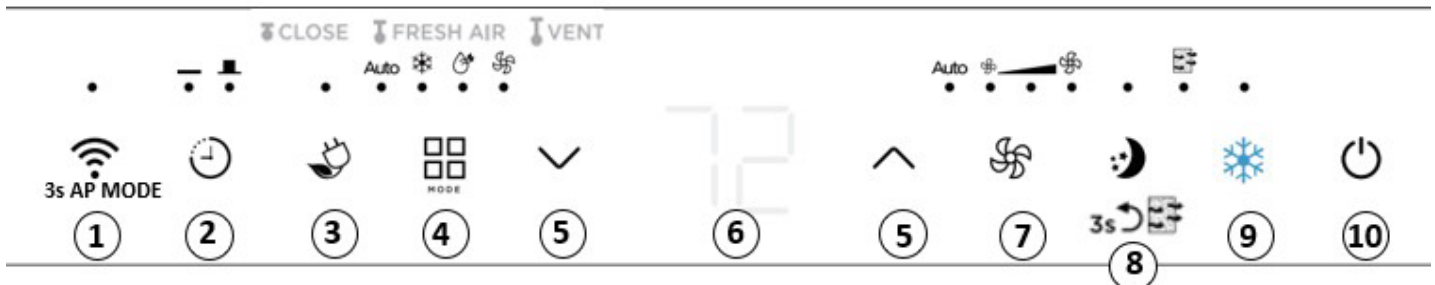
Si el soporte en forma de "L" no está preinstalado, fíjelo a la parte superior del gabinete como se muestra a continuación utilizando los tornillos de 9.5 mm (3/8") provistos (x4).



# INSTRUCCIONES DE OPERACIÓN

## PANEL DE CONTROL

- Botón de conexión inalámbrica:** Se utiliza para conectarse a una red inalámbrica, mantenga pulsado el botón 3 segundos para activar el modo AP.
- Botón Temporizador:** Permite ajustar el temporizador de encendido y apagado automático.
- Botón de ahorro de energía:** Permite ajustar la función de ahorro de energía
- Botón Modo:** Permite elegir el modo de funcionamiento.
- Botón de control de temperatura:** Permite ajustar la temperatura de consigna en incrementos de 1° y la función de temporizador en incrementos de 30 minutos hasta 10 horas y, a continuación, en incrementos de 1 hora hasta 24 horas.
- Panel de visualización:** Muestra la temperatura programada, la temperatura ambiente y los ajustes del temporizador. Para cambiar la escala de temperatura que se muestra, pulse los botones de control de temperatura al mismo tiempo durante 3 segundos.
- Botón del ventilador:** Permite ajustar la velocidad del ventilador. El ventilador puede ajustarse a Baja, Media, Alta y Automática.
- Botón de reposo:** Permite ajustar la función Reposo.
  - La luz indicadora del filtro se encenderá después de 250 horas de funcionamiento como recordatorio para revisar el filtro. Una vez limpiado el filtro, mantenga pulsado el botón de reposo durante 3 segundos para reanudar el funcionamiento y la luz se apagará.
- FlashCool:** Permite iniciar la función FlashCool.
- Botón de encendido:** Permite encender o apagar el aparato.



# INSTRUCCIONES DE OPERACIÓN

## MODOS DE FUNCIONAMIENTO

Pulse repetidamente el botón de modo para elegir el modo deseado. La luz indicadora adyacente se iluminará para mostrar qué modo se ha seleccionado.

- **Modo Frío**

Seleccione el modo frío para ajustar la función de refrigeración. Utilice los botones de control de temperatura para elegir la temperatura deseada. Cuando se selecciona el modo frío, la velocidad del ventilador puede ajustarse pulsando el botón del ventilador.

- **Modo Seco**

Elija el modo seco para eliminar el exceso de humedad del aire durante los periodos de alta humedad. Toda el agua extraída del aire se condensará en el interior del aparato y saldrá por la parte posterior. La velocidad del ventilador se ajustará automáticamente y no podrá modificarse en el modo seco.

- **Modo Ventilador**

Elija el modo ventilador para hacer funcionar el ventilador interno sin activar la función de refrigeración. Pulsa el botón del ventilador repetidamente para elegir la velocidad del ventilador.

- **Modo Auto**

El modo Auto es un programa preestablecido de fábrica que define automáticamente el modo y la velocidad del ventilador en función de la temperatura programada, la temperatura ambiente y la humedad ambiente.

En el modo automático, la velocidad del ventilador es un ajuste predeterminado que no se puede modificar.

- **FlashCool**

FlashCool proporciona la máxima refrigeración y pone el ventilador a la máxima velocidad.

**Nota:**

La función FlashCool puede cancelarse cambiando el modo o la velocidad del ventilador. El aparato volverá al modo de ajuste.

- **Conexión inalámbrica**

Mantenga pulsado el botón inalámbrico en el panel de control durante 3 segundos para activar el modo inalámbrico/AP. "AP" aparecerá en la pantalla cuando el aparato esté en modo de conexión inalámbrica. Alternativamente, puede activar la función inalámbrica desde el mando a distancia.

Mantenga pulsado el botón de conexión inalámbrica y el botón de disminución de temperatura durante 3 segundos para desactivar el modo de conexión inalámbrica.

Este aire acondicionado se puede controlar con una aplicación inalámbrica en su dispositivo inalámbrico. Consulte el manual inalámbrico incluido en la bolsa de accesorios para obtener más información o puede visitar <https://www.danby.com/support/#apps> para descargar la aplicación y conocer su funcionamiento.

- **Visualización de la temperatura**

El rango de temperatura para este aparato es de aproximadamente 16 ~ 30°C (60 ~ 86°F). Mantenga pulsados los botones de control de temperatura al mismo tiempo para cambiar la indicación de temperatura entre °C y °F

## VISUALIZACIÓN

La pantalla muestra la temperatura ajustada en °C o °F y los ajustes del temporizador automático. En el modo Sólo ventilador, la pantalla mostrará la temperatura ambiente.

**Nota:**

El circuito de refrigeración tiene un retardo automático de 3 minutos si el aparato se apaga y se enciende rápidamente. Esto evita el sobrecalentamiento del compresor y el posible agarrotamiento del disyuntor. El ventilador seguirá funcionando durante este tiempo.

# INSTRUCCIONES DE OPERACIÓN

## DIRECCIÓN DEL AIRE

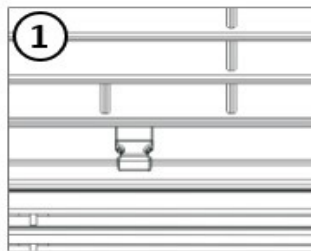
Las rejillas le permitirán dirigir el flujo de aire hacia arriba o hacia abajo y desde la izquierda o la derecha a través de la habitación, según sea necesario.

1. Gire la rejilla hacia Arriba/Abajo hasta obtener la dirección deseada.
2. Mueva la(s) palanca(s) de lado a lado hasta obtener la dirección Izquierda/Derecha deseada.

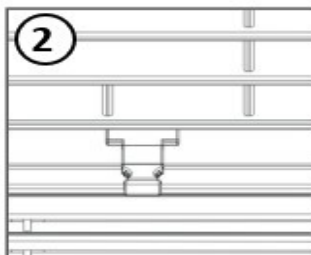
## Control de ventilación de aire fresco

La salida de aire fresco permite que el aire acondicionado

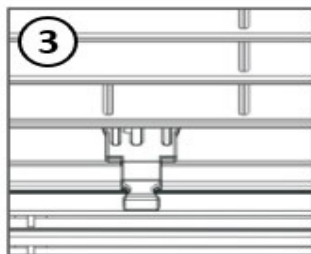
1. Recirculación del aire interior - Ventilación Cerrada



2. Aire fresco en la habitación - Ventilación Abierta



3. Intercambia aire de la habitación y extrae aire fresco en la habitación - Ventilación y Extracción Abiertas



### Nota:

Las imágenes se muestran en el panel de control sobre los modos. Esta función se maneja manualmente.

# INSTRUCCIONES DE OPERACIÓN

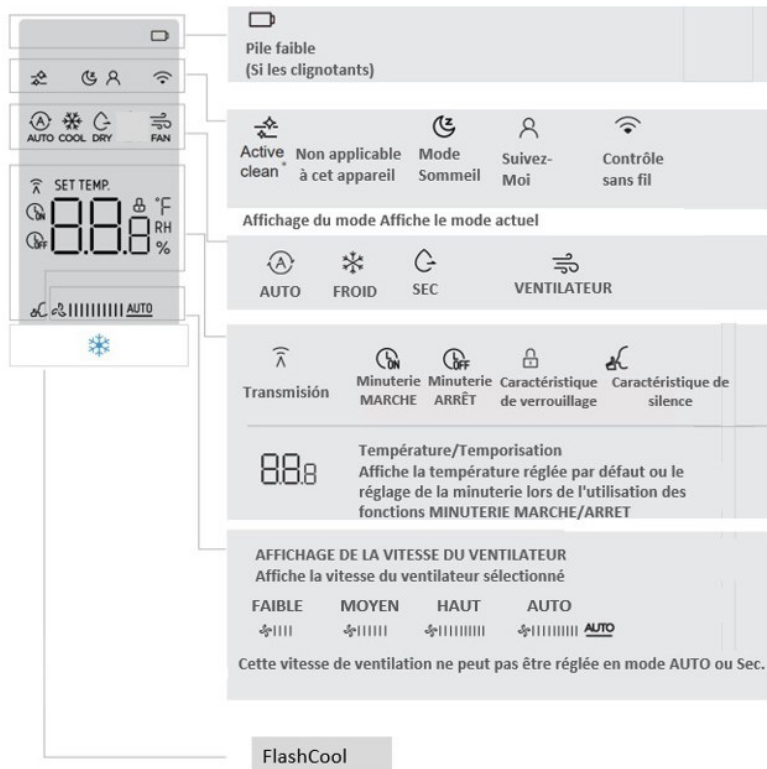
## CONTROL REMOTO



1. **Panel de visualización:** Muestra la temperatura programada y los ajustes del temporizador. Para cambiar la escala de temperatura que se muestra, pulse el botón °C/°F.
2. **Botón de encendido:** Permite encender o apagar el aparato.
3. **Botón modo:** Permite seleccionar el modo de funcionamiento.
4. **Botón Botón de ahorro de energía:** Permite activar el modo de ahorro de energía. Pulse de nuevo para detener la función.
5. **Flecha arriba:** Permite ajustar la temperatura de consigna en incrementos de 1° y la función de temporizador en incrementos de 30 minutos hasta 10 horas y luego en incrementos de 1 hora hasta 24 horas.
6. **Flecha abajo:** Permite ajustar la temperatura de consigna en incrementos de 1° y la función de temporizador en incrementos de 30 minutos hasta 10 horas y luego en incrementos de 1 hora hasta 24 horas.
7. **Fijar:** Se utiliza para desplazarse por las funciones de funcionamiento. El símbolo parpadeará en la pantalla, pulse para ✓ confirmar la selección.
8. **✓:** Permite confirmar la función seleccionada.
9. **FlashCool:** Permite que la unidad alcance la temperatura preestablecida en el menor tiempo posible. Sólo se puede activar con el mando a distancia cuando está en modo Frío.
10. **Velocidad del ventilador:** Permite ajustar la velocidad del ventilador. Cuatro velocidades disponibles: AUTO, BAJA, MEDIA, ALTA. Mantenga pulsado el botón de velocidad del ventilador durante 3 segundos para activar el modo "Silencio".
11. **Botón de encendido del temporizador:** Permite ajustar el temporizador de encendido automático.
12. **Botón de apagado del temporizador:** Permite ajustar el temporizador de apagado automático.
13. **Botón LED:** Permite encender y apagar la pantalla LED del aparato y el zumbador del aire acondicionado.
14. **Botón de dormir:** Se utiliza para ahorrar energía durante las horas de sueño.
15. **Botón °C/°F:** Permite cambiar la escala de temperatura.

# INSTRUCCIONES DE OPERACIÓN

## REMOTE SCREEN INDICATORS



## REPOSO

La función Reposo puede utilizarse para conservar energía durante las horas de sueño.

Cuando se selecciona, la temperatura programada aumentará 1°C/2°F cada media hora durante una hora completa. El aparato mantendrá la nueva temperatura durante 6 horas antes de volver automáticamente al funcionamiento normal.

La función Reposo puede cancelarse en cualquier momento pulsando el botón Reposo.

**Nota:** La función Reposo no está disponible en los modos Ventilador o Seco.

## SÍGUEME

El mando a distancia incorpora un sensor de temperatura que controla la temperatura ambiente. Lleva el mando a distancia contigo y el aparato ajustará automáticamente la temperatura programada en función de la temperatura del lugar donde te encuentres.

El mando a distancia mostrará la temperatura en su ubicación. El mando a distancia enviará una señal al acondicionador de aire cada 3 minutos, siempre que permanezca dentro del alcance del aparato.

El piloto "sígueme" del panel de control se iluminará durante 5 segundos cada 3 minutos para indicar que ha recibido una señal del mando a distancia. Si el aparato no recibe ninguna señal del mando a distancia durante un intervalo de 7 minutos, emitirá un pitido para indicar que el modo "sígueme" ha finalizado.

La distancia máxima para la función follow me es de 8 metros (26 pies). Esta función está disponible en los modos frío y automático.

**Nota:** La función Sígueme está disponible en los modos Frío y Auto.

# INSTRUCCIONES DE OPERACIÓN

## BLOQUEO

La función Bloqueo bloquea todos los botones del mando a distancia para evitar cambios accidentales.

Pulse los botones LED y °C/°F al mismo tiempo y manténgalos pulsados durante un mínimo de 5 segundos.

### **Nota:**

La función de bloqueo puede cancelarse pulsando los botones LED y °C/°F al mismo tiempo durante 2 segundos.

## FUNCIÓN DE SILENCIO

Esta función sólo puede activarse con el mando a distancia. Mantenga pulsado el botón del ventilador del mando a distancia durante 3 segundos para activar la función de silencio.

## TEMPORIZADOR

### Apagado automático

1. Cuando el aire acondicionado esté encendido, presione el botón del temporizador para activar el temporizador de apagado automático.
2. Presione los botones de control de temperatura para cambiar el tiempo establecido en incrementos de 0,5 horas hasta 10 horas y luego en incrementos de 1 hora hasta 24 horas.

### Encendido automático

1. Cuando el aire acondicionado esté apagado, presione el botón del temporizador para activar el temporizador de encendido automático.
2. Presione los botones de control de temperatura para cambiar el tiempo establecido en incrementos de 0,5 horas hasta 10 horas y luego en incrementos de 1 hora hasta 24 horas.

## Usar el encendido automático y el apagado automático juntos

Los temporizadores de encendido y apagado automático se pueden usar al mismo tiempo configurando primero uno y luego el otro.

Por ejemplo, si el aire acondicionado está funcionando, puede configurar el temporizador de apagado automático para que funcione durante un tiempo determinado antes de apagarse y luego configurar el temporizador de encendido automático para volver a encenderlo más tarde.

O bien, si el aire acondicionado no está funcionando, puede configurar el temporizador de encendido automático para que se encienda más tarde y luego configurar el temporizador de apagado automático para apagarlo después de funcionar durante un período de tiempo.

**Nota:** El temporizador no encenderá y apagará el aire acondicionado indefinidamente. Los temporizadores de encendido y apagado automático funcionarán una vez y luego el aire acondicionado volverá a funcionar normalmente.

Encender o apagar el aire acondicionado en cualquier momento o cambiar la configuración del temporizador a 0.0 cancelará la configuración del temporizador.

### **Nota:**

Los temporizadores de conexión automática y desconexión automática son funciones independientes que no funcionan conjuntamente. La activación o desactivación automática pone en marcha el temporizador interno que determina cuándo se activa la función.

Si se ajusta el temporizador de encendido automático a 1 hora y a continuación se ajusta el temporizador de apagado automático a 2 horas, el aire acondicionado se encenderá 1 hora después de la hora actual y se apagará 2 horas después de la hora actual, lo que supone un total de 1 hora de actividad. El ajuste del temporizador de apagado automático durante 2 horas seguido del ajuste del temporizador de encendido automático durante 2 horas dará como resultado 1 hora de inactividad.

# INSTRUCCIONES DE OPERACIÓN

## PILAS DEL CONTROL REMOTO

El mando a distancia requiere dos pilas alcalinas AAA (incluidas). Las baterías deben ser reemplazadas cuando:

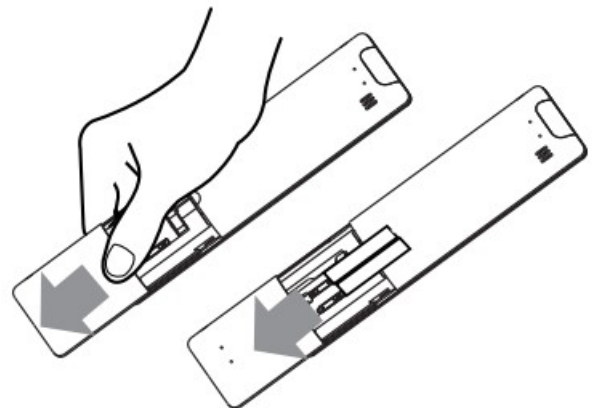
- No se escucha ningún sonido al intentar programar el aparato.
- El aparato no responde a una orden emitida por el mando a distancia.

## Cambio de batería:

- Deslice la cubierta posterior del mando a distancia en la dirección de la flecha.
- Inserte dos pilas AAA siguiendo la misma orientación que se muestra en el interior de la cámara de la batería (+/-).
- Vuelva a instalar la cubierta trasera.
- Si el mando a distancia no se utilizará durante períodos de tiempo prolongados, las baterías se deben quitar.

## Notas:

- Proteja el control remoto de altas temperaturas y manténgalo alejado de la exposición a la radiación.
- Mantenga el receptor del panel de control alejado de la luz directa del sol.
- No mezcle baterías viejas y nuevas.
- No mezcle pilas alcalinas, estándar (carbono-zinc) o recargables (ni-cad, ni-mh, etc). Limpie los contactos de las pilas y también los del aparato antes de instalarlas. Retire rápidamente las pilas usadas.
- El control remoto funciona a una distancia de 8 metros (26 pies) del receptor situado dentro del aparato principal. Cualquier obstrucción entre el receptor y el remoto puede causar interferencia de señal, limitando la capacidad de programar la unidad principal.



# INSTRUCCIONES DE OPERACIÓN

## REGLAMENTOS DE CONTROL REMOTO

Este equipo ha sido probado y cumple con los límites para un dispositivo digital de Clase B, de acuerdo con la Parte 15 de las Reglas de la FCC. Estos límites están diseñados para proporcionar una protección razonable contra interferencias dañinas en una instalación residencial. Este equipo genera, utiliza y puede irradiar energía de radiofrecuencia y, si no se instala y utiliza de acuerdo con las instrucciones, puede causar interferencia perjudicial a las comunicaciones de radio. Sin embargo, no hay garantía de que no se produzcan interferencias en una instalación en particular.

Si este equipo causa interferencias perjudiciales a la recepción de radio o televisión, lo que puede determinarse apagando y encendiendo el equipo, se recomienda al usuario que intente corregir la interferencia mediante una o más de las siguientes medidas:

1. Reorientar o reubicar la antena receptora
2. Aumente la separación entre el equipo y el receptor
3. Conecte el equipo a una toma de corriente en un circuito distinto al que está conectado el receptor
4. Consulte con el distribuidor o con un técnico de radio / TV experimentado para obtener ayuda.
5. Los cambios o modificaciones no aprobados por la parte responsable del cumplimiento de las normas FCC e Industry Canada podrían anular la autoridad del usuario para utilizar el equipo.

Este aparato cumple la Parte 15 de las normas FCC. Su funcionamiento está sujeto a las siguientes condiciones:

1. Este dispositivo no puede causar interferencias perjudiciales.
2. Este dispositivo debe aceptar cualquier interferencia recibida, incluida la interferencia que pueda causar un funcionamiento no deseado.

Este dispositivo cumple con la norma canadiense CAN ICES-003(B)/NMB-003(B)

## DECLARACIÓN DE CONFORMIDAD DEL PROVEEDOR

47 CFR § 2.1077 Información de cumplimiento

**Identificador único:** Danby, RG10G5(D2)/BGCEFU1

**Información de contacto de la parte responsable en EE. UU.:**

Danby Products Inc.  
1800 Production Drive  
Findlay, OH  
45840

**Número de teléfono o información de contacto de Internet:** Danby.com

**Declaración de cumplimiento de la FCC:** Este aparato cumple con la Parte 15 de las Reglas de la FCC. La operación está sujeta a las siguientes condiciones:

1. Es posible que este dispositivo no cause interferencias.
2. Este dispositivo debe aceptar cualquier interferencia recibida, incluida la interferencia que pueda provocar un funcionamiento no deseado

# INSTRUCCIONES DE OPERACIÓN

## DORMIR

La función de dormir se puede utilizar para conservar energía durante las horas de dormir.

Cuando se selecciona, la temperatura establecida aumentará en 1°C/2°F cada media hora durante una hora completa. El aparato mantendrá la nueva temperatura establecida durante 6 horas antes de volver automáticamente al funcionamiento normal.

La función de dormir se puede cancelar en cualquier momento presionando el botón de dormir.

## AHORRADOR DE ENERGÍA

La función de ahorro de energía encenderá y apagará automáticamente el ventilador cuando el compresor no esté en uso para minimizar la frecuencia con la que el compresor necesita encenderse.

Cuando se selecciona, el ventilador continuará funcionando durante 3 minutos después de que se apague el compresor. El ventilador se encenderá durante 2 minutos en intervalos de 10 minutos hasta que la temperatura ambiente esté por encima de la temperatura establecida, momento en el cual el compresor se encenderá y se reanudará el enfriamiento.

## SÍGUEME

Hay un sensor de temperatura integrado en el control remoto que controlará la temperatura ambiente. Mantenga el control remoto con usted y el aparato ajustará automáticamente la temperatura establecida en función de la temperatura donde se encuentre.

El control remoto mostrará la temperatura en su ubicación. El control remoto enviará una señal al aire acondicionado cada 3 minutos, siempre que permanezca dentro del alcance del aparato.

La luz sígueme en el panel de control se iluminará durante 5 segundos cada 3 minutos para indicar que ha recibido una señal del control remoto. Si el aparato no recibe una señal del control remoto durante un intervalo de 7 minutos, emitirá un pitido para indicar que el modo Sígueme ha finalizado.

La distancia máxima para la función sígueme es de 8 metros (26 pies). Esta característica está disponible en modos fresco y automático.

## CONEXIÓN INALÁMBRICA

Este dispositivo se puede controlar con una aplicación inalámbrica en su dispositivo inalámbrico.

Visite <https://www.danby.com/support/apps> para descargar la aplicación y obtener información sobre su funcionamiento.

# INSTRUCCIONES DE OPERACIÓN

## TEMPORIZADOR

El temporizador se puede usar para encender o apagar el aparato después de un período de tiempo establecido.

El panel de control tiene un botón de temporizador. Presione una vez para configurar el temporizador de apagado automático y dos veces para configurar el temporizador de apagado automático. El control remoto tiene botones de encendido y apagado del temporizador separados.

### Temporizador de encendido automático

1. Presione el botón del temporizador en el control remoto o presione el botón del temporizador en el panel de control dos veces.
2. Use las flechas hacia arriba y hacia abajo para seleccionar la cantidad de tiempo deseada antes de que el aparato se encienda.
3. Use el botón de modo para seleccionar el modo deseado.
4. Use el botón del ventilador para seleccionar la velocidad deseada del ventilador.
5. El tiempo seleccionado aparecerá en el panel de visualización y hará una cuenta regresiva hasta que se encienda el aparato.

### Temporizador de apagado automático

1. Presione el botón de apagado del temporizador en el control remoto o presione el botón del temporizador en el panel de control una vez.
2. Use las flechas hacia arriba y hacia abajo para seleccionar la cantidad de tiempo deseada antes de que el aparato se apague. El dispositivo se ejecutará en el modo seleccionado actualmente.
3. El tiempo seleccionado aparecerá en el panel de visualización y hará una cuenta regresiva hasta que el aparato se apague.

## Uso de temporizadores de encendido y apagado simultáneamente

Los temporizadores de encendido y apagado se pueden usar al mismo tiempo.

Para configurar el aparato para que se encienda, ejecute durante un período de tiempo establecido y luego apague, configure primero el temporizador de encendido automático y luego configure el temporizador de apagado automático.

Para configurar el dispositivo para que funcione durante un período de tiempo, apague durante un período de tiempo y luego vuelva a encenderlo, configure primero el temporizador de apagado automático y luego configure el temporizador de encendido automático.

Ambas luces indicadoras se iluminarán y la pantalla hará una cuenta regresiva para que el aparato se apague o se encienda, cualquiera que sea la función que se configuró primero.

El temporizador no encenderá y apagará el electrodoméstico indefinidamente. Los temporizadores de encendido y apagado funcionarán una vez y luego el dispositivo volverá al funcionamiento normal.

Apagar el dispositivo o desenchufarlo borrará todas las configuraciones de memoria, incluido el temporizador.

# INSTRUCCIONES DE OPERACIÓN

## FILTRO DE AIRER

El filtro de aire debe limpiarse aproximadamente cada 4 semanas. El filtro de aire puede requerir una limpieza más frecuente si hay mucha caspa o pelo en el aire.

Aproximadamente cada cuatro semanas, la luz indicadora del filtro en el panel de control se encenderá como recordatorio para limpiar el filtro. Siga los pasos que se indican a continuación para limpiar el filtro y devolver el aparato a su funcionamiento normal.

1. Empuje la palanca de ventilación a la posición de Ventilación Cerrada.
2. El filtro de aire se encuentra detrás de la rejilla de admisión delantera. Para extraer el filtro de aire, sujete la rejilla por ambos lados y tire suavemente hacia delante y, a continuación, extraiga el filtro tirando de él hacia arriba y hacia fuera.
3. Utilice una aspiradora con un cepillo suave para eliminar los residuos grandes o el polvo acumulado en el filtro de aire.
4. Lave el filtro con agua tibia y jabón, a menos de 40°C (104°F), o utilice un producto de limpieza neutro.
5. Enjuague el filtro con agua limpia y séquelo bien antes de volver a instalarlo en el aparato.
6. Pulse el botón del filtro en el panel de control para reanudar el funcionamiento normal.

### Nota:

No utilice el aparato sin el filtro de aire instalado.

## ERROR CODES

LO - La temperatura ambiente es inferior a 0°C (32°F)

HI - La temperatura ambiente es superior a 37°C (99°F)

## LIMPIEZA

Para evitar posibles descargas eléctricas, asegúrese de que el aparato esté desenchufado antes de realizar cualquier limpieza o mantenimiento.

El exterior del aparato se puede limpiar con un paño suave o con un paño tibio y húmedo si es necesario.

No utilice gasolina, benceno, diluyente o cualquier otro producto químico para limpiar este aparato ya que estas sustancias pueden dañar el acabado y la deformación de las piezas de plástico.

Nunca vierta agua directamente sobre el aparato, ya que esto puede causar el deterioro de los componentes eléctricos y el aislamiento del cableado.

## CUIDADO DE FINAL DE TEMPORADA

Antes de dejar el aparato en servicio durante el año, haga funcionar el aparato en modo de ventilador alto durante medio día para asegurarse de que el interior del aparato esté seco. Esto ayudará a evitar el crecimiento de moho o moho dentro del aparato. Asegúrese de que el filtro esté limpio y seco. Guarde el aparato en un lugar seco.

### Nota:

Al instalar o quitar el aparato de la ventana, asegúrese de que se tome precaución para evitar que caiga hacia atrás. Se recomienda que la instalación o remoción se complete con ayuda para evitar lesiones a personas o daños a la propiedad o al aparato.

## DISPOSICIÓN

Compruebe la conformidad reglamentaria local con respecto a la eliminación aprobada y segura de este electrodoméstico.

## PREGUNTAS FRECUENTES

### ¿Puedo dejar mi aire acondicionado en su lugar durante el invierno?

No, no dejes el aire acondicionado en la ventana durante el invierno.

### ¿Cuál es la clasificación eléctrica?

Esta información se puede encontrar en la placa de características ubicada en el costado de la unidad.

### ¿Puedo usar un cable de extensión?

No, no se puede usar un cable de extensión.

### ¿Se supone que debe haber espuma de poliestireno en la unidad?

La espuma de poliestireno que está dentro de la unidad actúa como aislante. No lo quites. Retire únicamente los embalajes sueltos.

### ¿Por qué escucho agua en la unidad?

El agua se recolecta durante el proceso de aire acondicionado y se drenará fuera de la unidad hacia el suelo. Por eso, la unidad debe instalarse con una ligera inclinación hacia abajo hacia el exterior.

### ¿Por qué se acumula escarcha en la unidad?

Cuando la temperatura exterior es inferior a 18,3 °C (65 °F), se puede formar escarcha cuando el acondicionador de aire está en modo de refrigeración. Cambie el aire acondicionado al modo de solo ventilador hasta que la escarcha se derrita.

## SOLUCIÓN DE PROBLEMAS

### El aire acondicionado no funcionará

- El enchufe no está completamente insertado en el tomacorriente de la pared.
- Fusible fundido o disyuntor.
- Dispositivo de corriente de enchufe disparado
  - Pulse el botón RESET del enchufe

### Refrigeración insuficiente

- El filtro de aire está sucio.
- Flujo de aire bloqueado.
- La temperatura ambiente es inferior a 16 °C (60°F).
- El tamaño del aparato es demasiado pequeño para la aplicación.

### Ruido

- Apoyo inadecuado en la instalación de ventanas; Vuelva a verificar que todos los tornillos estén apretados y que la instalación sea segura.
- El filtro de aire está sucio u obstruido.
- Los sonidos de gorgoteo son normales, esto es refrigerante moviéndose dentro del aparato.

### Goteo de agua en el interior

- El electrodoméstico no está correctamente inclinado para permitir que el agua se drene hacia el exterior

### Goteo de agua afuera

- En días muy calurosos o húmedos, es normal que gotee agua por la parte posterior del aparato.

### Hedor

- Por lo general, causado por la formación de moho o hongos en las superficies húmedas internas.
- Asegúrese de que el filtro esté limpio.
- Haga funcionar el acondicionador de aire en modo ventilador para eliminar la humedad interna.



# GARANTÍA LIMITADA PARA ELECTRODOMÉSTICO



Este producto de calidad está garantizado contra defectos de fabricación, incluyendo partes y mano de obra, siempre y cuando la unidad se utilice bajo las condiciones normales de funcionamiento para las que fue diseñado.

Esta garantía está solamente disponible para la persona que haya comprado originalmente esta unidad directamente de Danby Products Limited (Canada) o Danby Products Inc. (U.S.A.) (en adelante "Danby") o uno de sus distribuidores autorizados, y no es transferible.

## CONDICIONES DE LA GARANTÍA

Las piezas plásticas, se autorizan por treinta (30) días solamente a partir de la fecha de la compra, sin las extensiones proporcionadas.

*Primeros 12 Meses* Durante los primer 12 meses, cualquier parte en buen estado de este producto que resulte defectuosa, incluyendo cualquier sistema sellado, será reparado o reemplazado, a opción del fabricante, sin cargo para el comprador ORIGINAL.

*Para obtener Servicio* Danby se reserva el derecho de limitar la cobertura de "Servicio en Domicilio" sujeto a la proximidad de un Taller de Servicio Autorizado. Para todo artefacto que requiera servicio fuera del área limitada de "Servicio en Domicilio", el cliente será responsable por transportar dicho artefacto hasta el Taller de Servicio Autorizado mas cercano. Consulte "Límites del servicio técnico a domicilio", a continuación. Comuníquese con el distribuidor donde haya comprado la unidad, o llame al Taller de Servicio Autorizado más cercano, donde debe ser reparada por un técnico calificado. Si esta unidad es reparada en otro lugar que no sea un Taller de Servicio Autorizado, o si la unidad se utiliza para aplicaciones comerciales, Danby no se hará responsable de ninguna forma y la garantía será anulada.

*Límites del servicio técnico a domicilio* Si el electrodoméstico está instalado en un lugar que se encuentra a 100 kilómetros (62 millas) o más del centro de servicios más cercano, se debe llevar la unidad al Centro de servicios Danby autorizado más cercano, ya que dicho servicio sólo puede realizarlo un técnico calificado y certificado por Danby para prestar servicios de garantía. Los cargos por transporte desde y hacia el lugar en que se efectúe el servicio técnico no están cubiertos por esta garantía y son de responsabilidad del comprador.

Nada dentro de esta garantía implica que Danby será responsable por cualquier daño que hayan sufrido los alimentos u otros contenidos de este aparato, ya sea debido a un defecto del aparato, o su uso, adecuado o inadecuado.

## EXCLUSIONES

Salvo lo aquí indicado por Danby, no existen otras garantías, condiciones o representaciones, explícitas o implícitas, concretas o intencionales por parte de Danby o sus distribuidores autorizados y todas las demás garantías, condiciones o representaciones, incluyendo cualquier garantía, condiciones o representaciones bajo cualquier Acta de Venta de Productos o legislación o estatuto similar, quedan de esta forma expresamente excluidas. Salvo lo aquí indicado, Danby no serán responsables por ningún daño a personas o bienes, incluyendo la propia unidad, sin importar su causa, o de ningún daño indirecto causado por el desperfecto de la unidad, y al comprar esta unidad, el comprador acepta por la presente, indemnizar y proteger a Danby contra cualquier reclamo por daños a personas o bienes causados por la unidad.

## CONDICIONES GENERALES

No se considerará ninguna de estas garantías o seguros cuando el daño o la necesidad de reparación sea el producto de los siguientes casos:

- 1) Falla del suministro eléctrico.
- 2) Daños en tránsito o durante el transporte de la unidad.
- 3) Alimentación incorrecta, como bajo voltaje, instalación eléctrica defectuosa o fusibles inadecuados.
- 4) Accidente, modificación, abuso o uso incorrecto del artefacto, tal como insuficiente ventilación del ambiente o condiciones de operación anormales (temperatura ambiente extremadamente alta o baja).
- 5) Utilización comercial o industrial (v.g., si el electrodoméstico no está instalado en una vivienda particular).
- 6) Incendio, daños por agua, robo, guerra, disturbios, hostilidades, actos de fuerza mayor como huracanes, inundaciones, etc.
- 7) Pedidos de servicio debido a desinformación del usuario.
- 8) Instalación inadecuada (v.g., instalación empotrada de un electrodoméstico diseñado como unidad independiente o uso de un electrodoméstico al aire libre que no esté aprobado para dicho fin).

Para acceder a la garantía se solicitará un comprobante de compra; por lo tanto, guarde su recibo. En caso de necesitar servicio de garantía, presente ese documento al TALLER DE SERVICIO AUTORIZADO.

**Servicio de Garantía**  
Servicio en Domicilio

