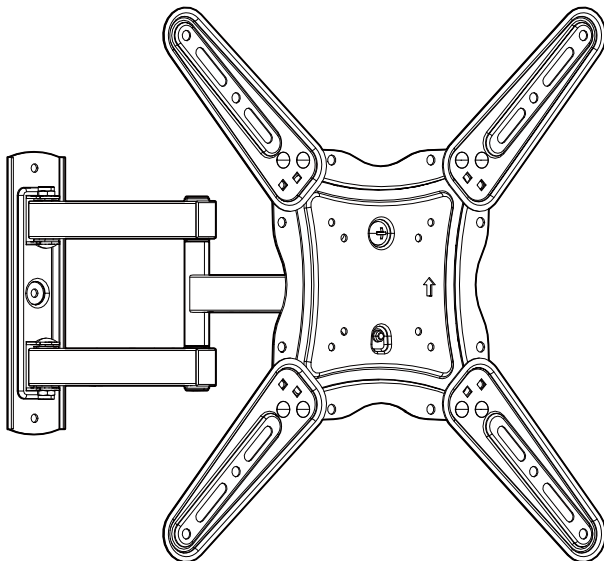


# INSTRUCTION MANUAL

Rev03

---

**PIMF7**



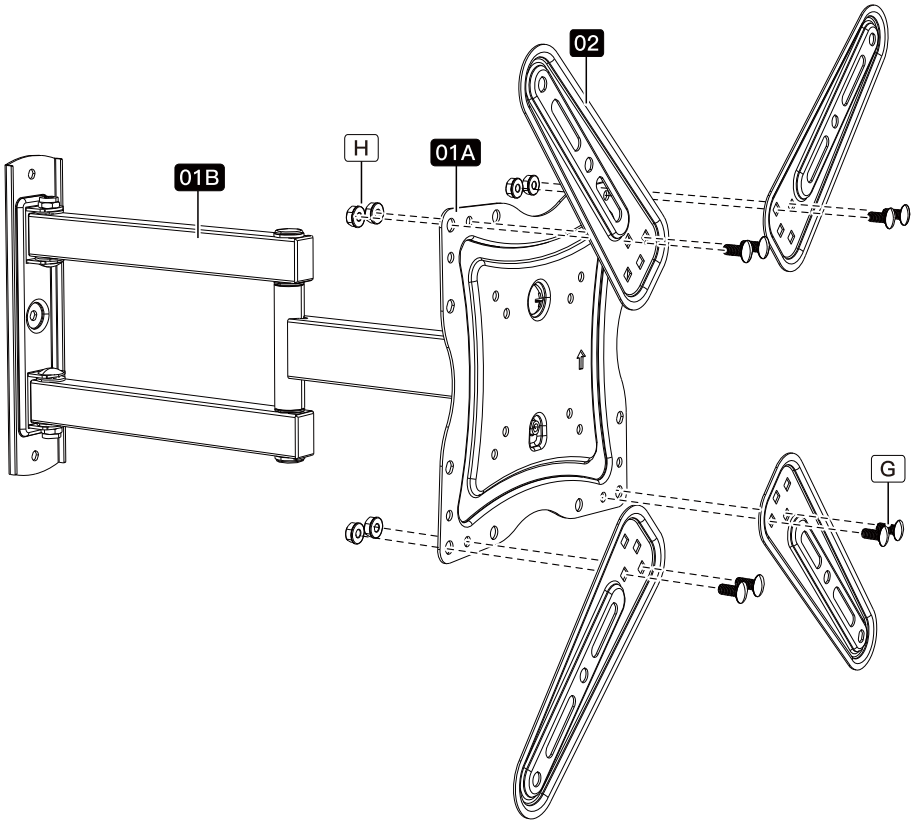
## Full-Motion TV Wall Mount

---

☎ 1-800-556-9829 (US/CA)  
44-808-196-3885 (UK)

✉ [support@pipishell.net](mailto:support@pipishell.net)

🌐 [www.pipishellav.com](http://www.pipishellav.com)



# IMPORTANT SAFETY INFORMATION

## NOTE

- Please carefully read all instructions before attempting installation. If you do not understand the instructions or if you have any questions or concerns, please call technical support or email customer service.
- Before starting assembly, verify that all parts are included and undamaged. Do not use damaged or defective parts. If you require replacement parts, please call technical support or email customer service.
- Not all hardware included in this package will be used.

## CAUTION

- Avoid the risk of personal injury or property damage!
- Do not use this product for any purpose that is NOT explicitly specified in this manual. Do not exceed the maximum weight capacity. We are not liable for damage or injury caused by incorrect assembly, improper mounting, or inappropriate use.

## WARNING

- This product is designed for installation on wood stud, solid concrete, and brick walls. DO NOT install on drywall alone.
- The wall must be capable of supporting four times the weight of the TV and mount combined.
- This product contains small parts that may pose a choking hazard.

### Note for Wood Stud Installation (Page 12)

- Avoid the risk of personal injury or property damage! Tighten the lag screws only until they are pulled firmly against the wall plate (DO NOT overtighten). Do not use a drill; only use a socket wrench.
- Do not use wall anchors for this mounting option. Wall anchors are used for solid concrete and brick installation only.
- Minimum wood stud size: 1 1/2" W x 3 1/2" D (38 x 89mm)

### Note for Solid Concrete or Brick Wall Installation (Page 13)

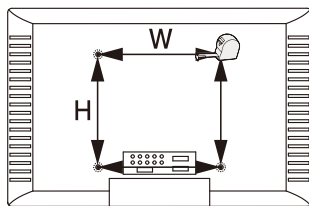
- Avoid the risk of personal injury or property damage! Tighten the lag screws only until they are pulled firmly against the wall plate (DO NOT overtighten). Do not use a drill; only use a socket wrench.
- Mount the wall plate directly on the concrete surface.
- Minimum solid concrete thickness: 8" (203mm)
- Never drill into the mortar between bricks.

# Before getting started, make sure this mount is compatible.

## 1

### VESA Pattern Compatibility

- 75 x 75mm
- 100 x 100mm
- 100 x 200mm
- 200 x 100mm
- 200 x 200mm
- 200 x 300mm
- 200 x 400mm
- 300 x 200mm
- 300 x 300mm
- 400 x 200mm
- 400 x 300mm
- 400 x 400mm



Max: 400 x 400mm (15.7" x 15.7")  
Min: 75 x 75mm (3" x 3")

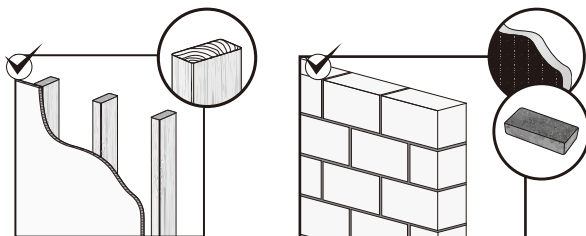
## 2

If the TV weighs more than 77 lbs (35kg), do not use this product.



## 3

Suitable for wood stud, solid concrete, and brick walls. DO NOT install on drywall alone.

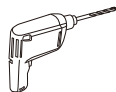


## 4

### Tools Needed (Not Included)



Tape Measure



Drill



Pencil



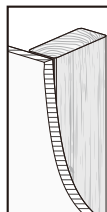
Phillips Screwdriver



3/8" (10mm) Socket Wrench



7/16" (11mm) Socket Wrench



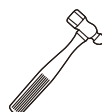
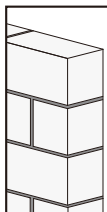
Stud Finder



Awl



5/32" (4mm) Wood Drill Bit



Hammer

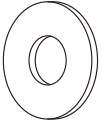


3/8" (10mm) Concrete Drill Bit

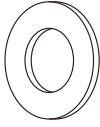
For Wood Stud Walls

For Concrete or Brick Walls

# Supplied Parts and Hardwares



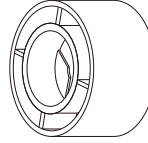
Washer  
M4/M5/M6  
[C1] x 4



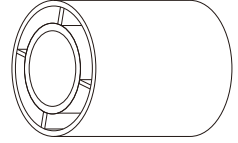
Washer  
M6/M8  
[B1] x 4



Spacer  
L2.5mm  
[C2] x 8

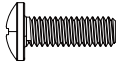


Spacer  
L10mm  
[B2] x 4

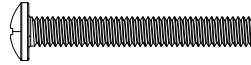


Spacer  
L22mm  
[B3] x 4

**M4**

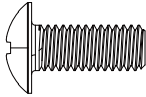


TV Bolt  
M4 x 12mm  
[F1] x 4

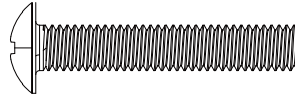


TV Bolt  
M4 x 30mm  
[F2] x 4

**M6**

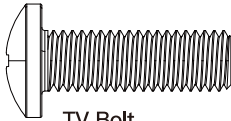


TV Bolt  
M6 x 15mm  
[D1] x 4

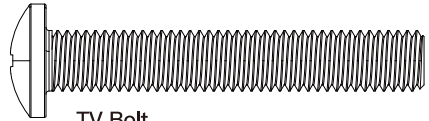


TV Bolt  
M6 x 35mm  
[D2] x 4

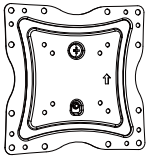
**M8**



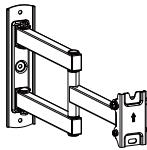
TV Bolt  
M8 x 25mm  
[E1] x 4



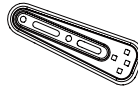
TV Bolt  
M8 x 50mm  
[E2] x 4



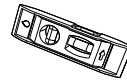
Faceplate  
**01A** x 1



Arm Assembly /  
Wall Plate  
**01B** x 1



Extender Bracket  
**02** x 4



Level  
**03** x 1

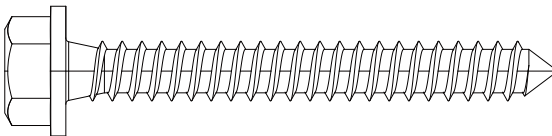


Bolt  
M6 x 12mm  
[G] x 8



Nut  
M6  
[H] x 8

**A1** x 3  
Lag Screw  
ST1/4 x 2 3/4"



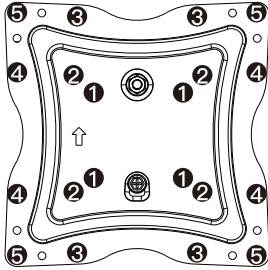
**A2** x 3  
Wall Anchor



**CAUTION!** This anchor is for concrete or brick walls ONLY. DO NOT use them in drywall or wood studs.

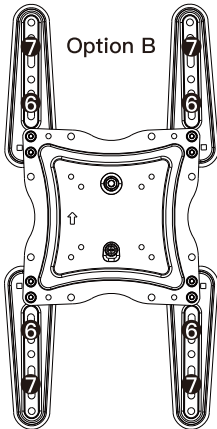
# Step 1 Choose the Combination that Applies to Your VESA Hole Pattern

If the VESA hole pattern is greater than 200 x 200mm (7.9" x 7.9"), attach the extender brackets to the faceplate (See Options B to E).



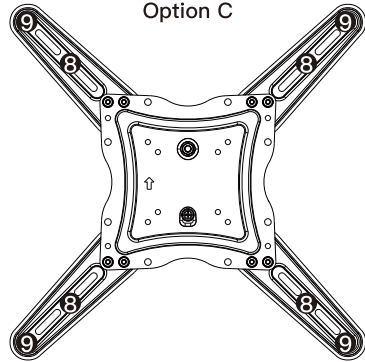
Option A

- ❶ 75 x 75mm (3" x 3")
- ❷ 100 x 100mm (3.9" x 3.9")
- ❸ 100 x 200mm (3.9" x 7.9")
- ❹ 200 x 100mm (7.9" x 3.9")
- ❺ 200 x 200mm (7.9" x 7.9")



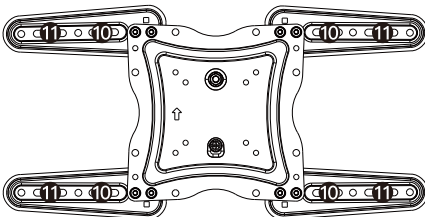
Option B

- ❹ 200 x 300mm (7.9" x 11.8")
- ❺ 200 x 400mm (7.9" x 15.7")



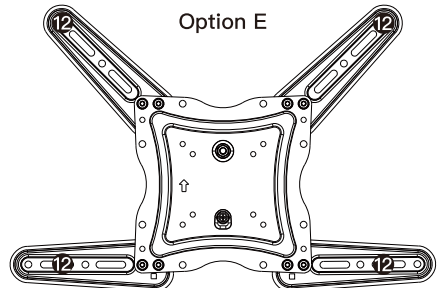
Option C

- ❽ 300 x 300mm (11.8" x 11.8")
- ❾ 400 x 400mm (15.7" x 15.7")



Option D

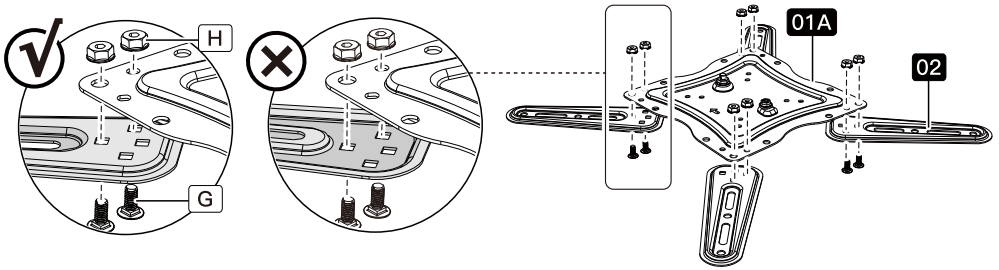
- ❿ 300 x 200mm (11.8" x 7.9")
- ⓫ 400 x 200mm (15.7" x 7.9")



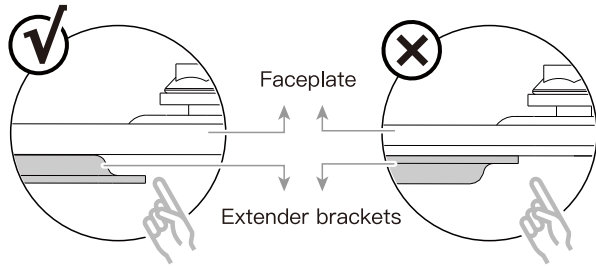
Option E

- ⓫ 400 x 300mm (15.7" x 11.8")

DO NOT fully tighten nuts [H] until Step 2 is completed.

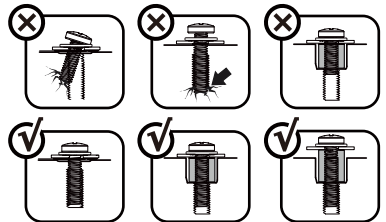
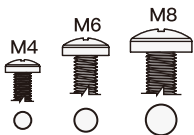
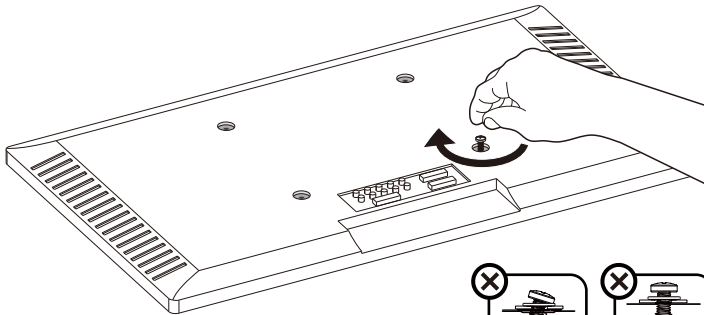


The protruding side should connect to the faceplate as demonstrated on the right.



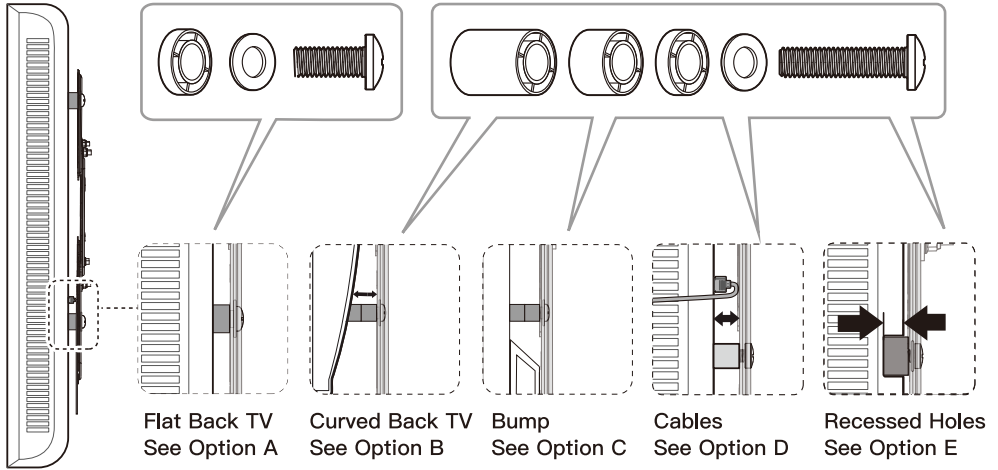
## Step 2 Attach the Faceplate with Extender Brackets to the TV

### 2-1 Select TV Bolts

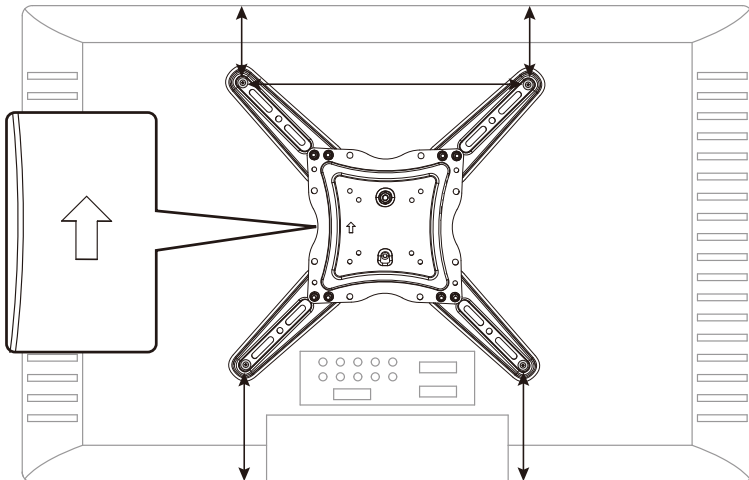


Hand thread bolts into the threaded inserts on the back of your TV to determine which bolt (M4, M6 or M8) to use. A minimum of 4-5 turns into the threading is required. Do not turn past the bottom of the hole.

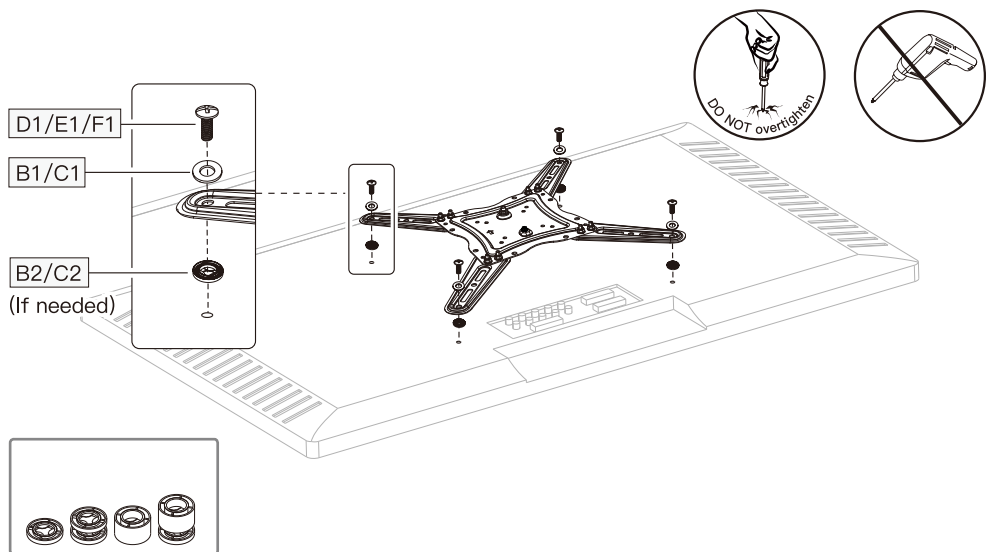
## 2-2 Spacer and Bolt Configurations



## 2-3 Attach the Faceplate with Extender Brackets to Your TV

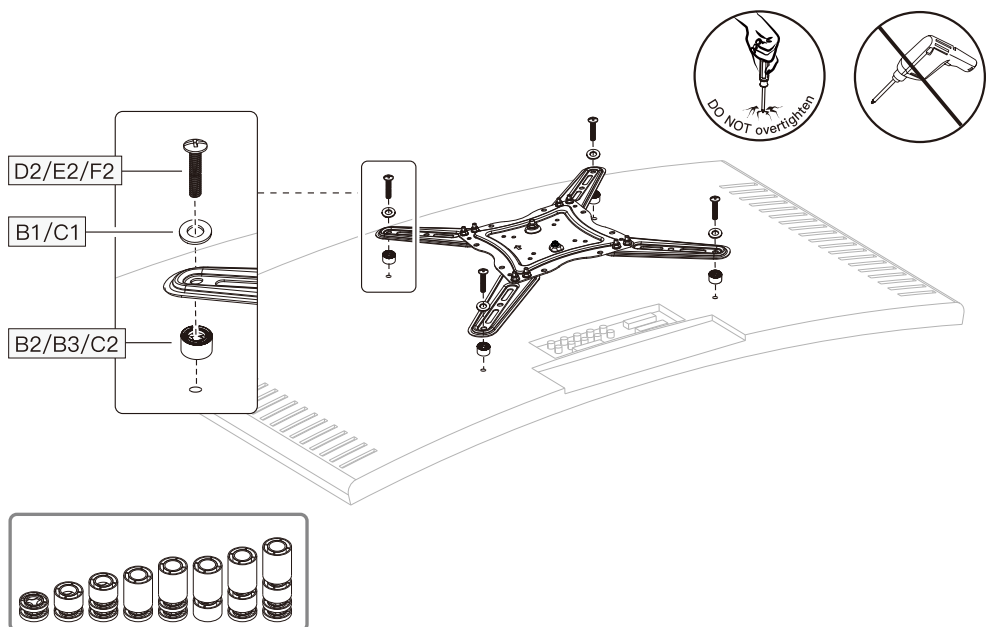


## Option A: For Flat Back TVs



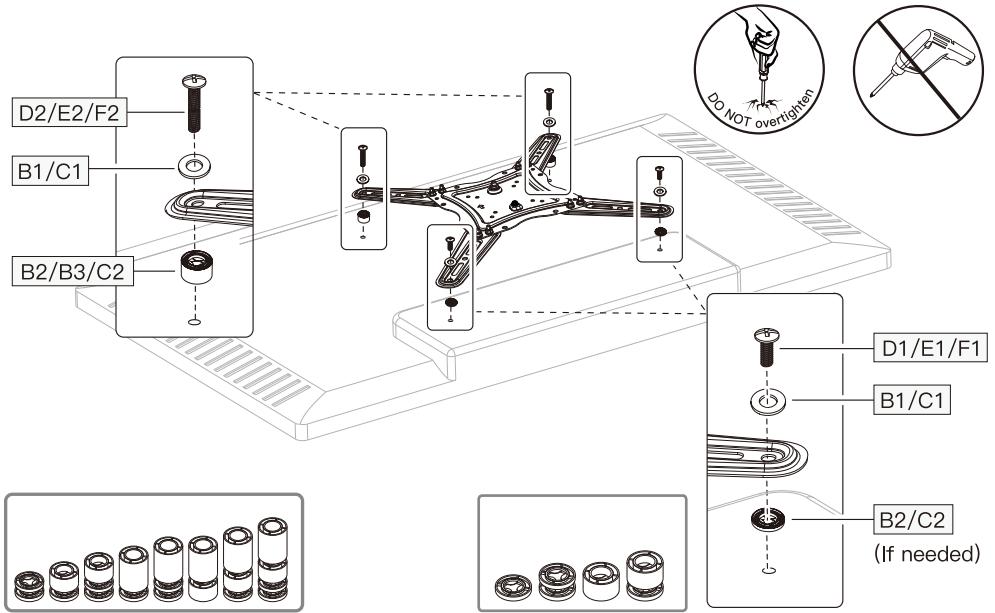
Add spacers if needed to fit the bolt length and TV back.

## Option B: For Curved Back TVs



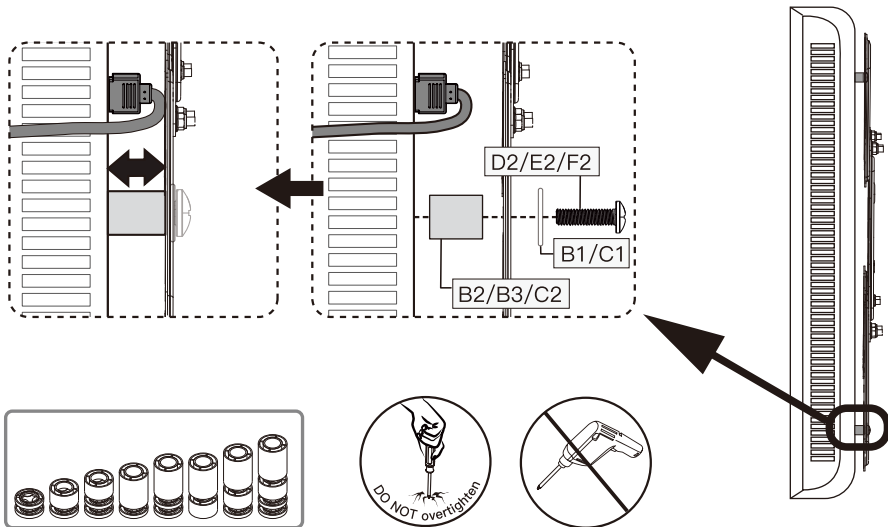
Spacers must be tall enough so that the curved back of the TV does not interfere with the mounting plate.

## Option C: For TVs with a Bump



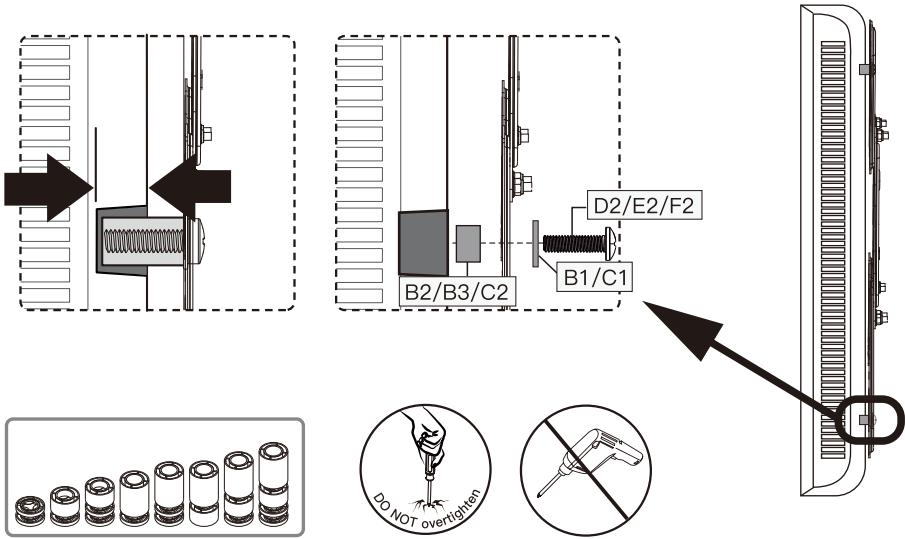
The faceplate must be flush on the bump and leveled by spacers on the gap.

## Option D: For TVs with Protruding Cables



Use spacers to create extra space between the TV and faceplate.

## Option E: For TVs with Recessed Holes

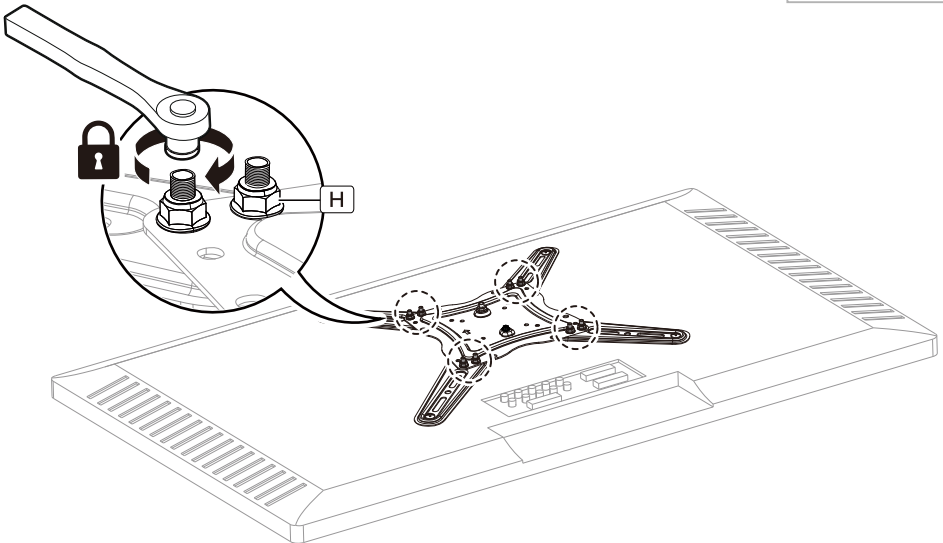


Spacers need to fill in the recessed holes on the back of the TV, while keeping the faceplate as close to the TV as possible.

**NOTE:** When you finish securing the TV bolts to the TV, please remember to fully tighten nuts [H].



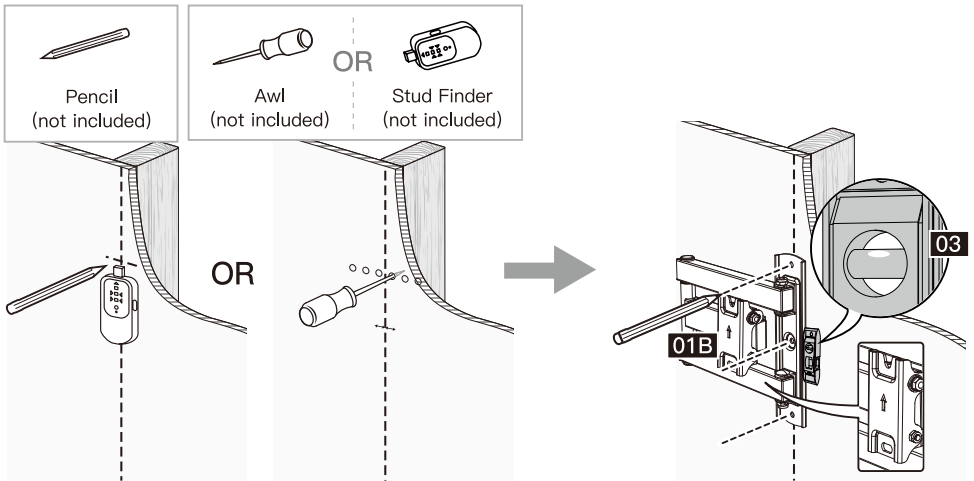
7/16" (11mm)  
Socket Wrench  
(not included)



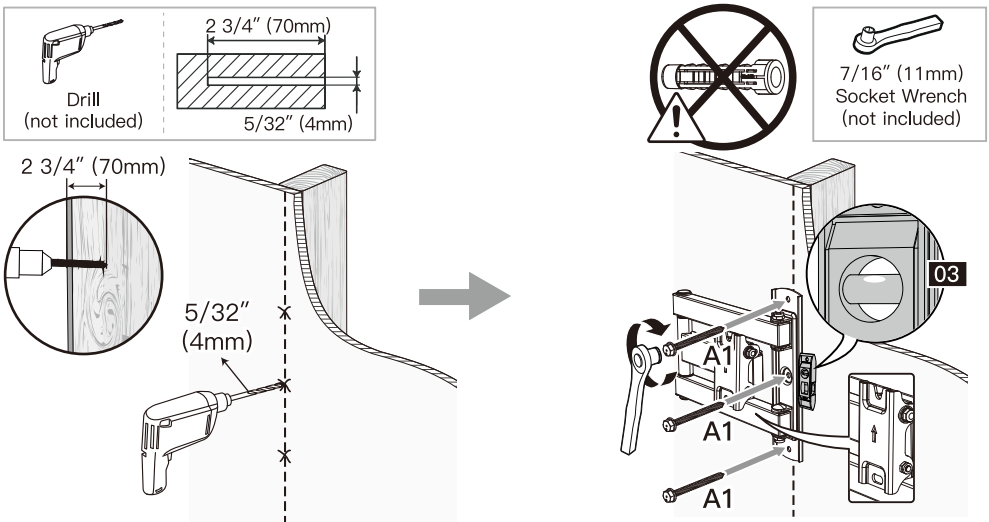
## Step 3 Mount the Arm Assembly / Wall Plate on the Wall

Option A: For Wood Studs, follow Page 12.

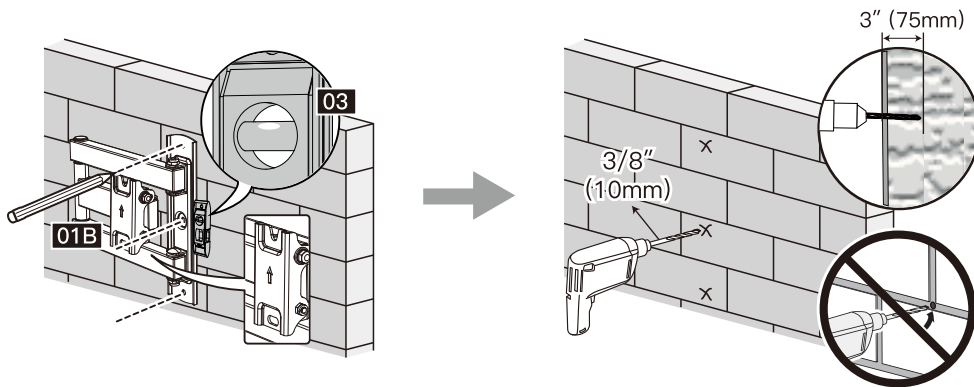
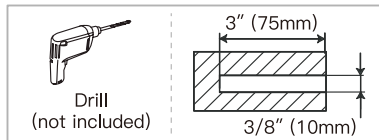
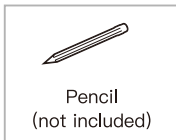
Option B: For Solid Concrete or Brick Walls, follow Page 13.



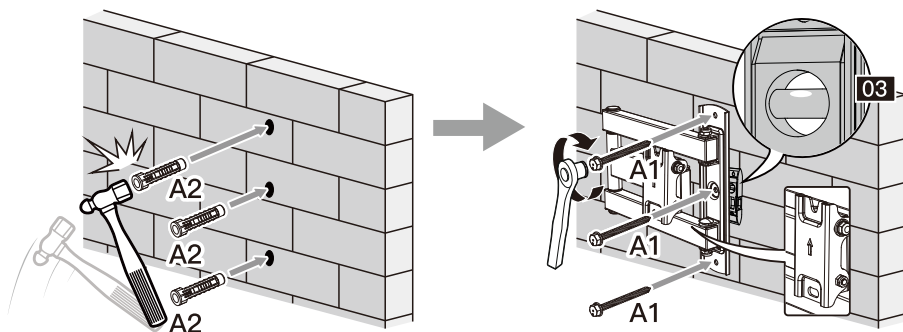
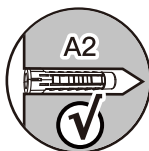
Use a stud finder to locate wood studs, or use an awl to find the edges. Mark the edge and center positions. Position the arm assembly / wall plate [01B] at your desired height and line up the holes with your stud centerline. Level the wall plate and mark the holes.



Drill 3 pilot holes using a 5/32" (4mm) diameter drill bit. Make sure the depth is not less than 2 3/4" (70mm). Mount the arm assembly / wall plate [01B] on the wall using lag screws [A1]. Tighten lag screws [A1] only until they are pulled firmly against the wall plate (DO NOT overtighten).

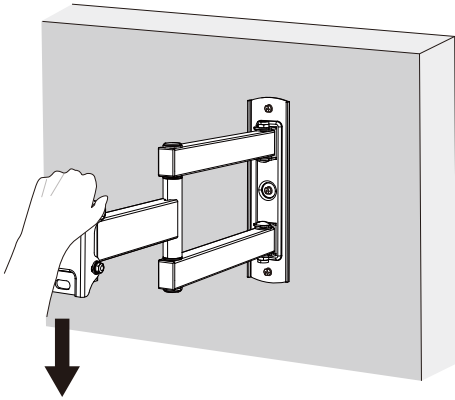


Position the arm assembly / wall plate [01B] at your desired height. Level the wall plate and mark the holes. Drill 3 pilot holes using a 3/8" (10mm) diameter drill bit. Make sure the depth is not less than 3" (75mm). Never drill into the mortar between bricks.

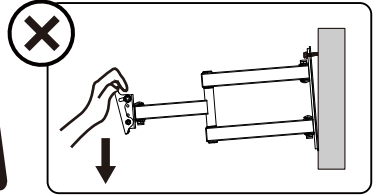
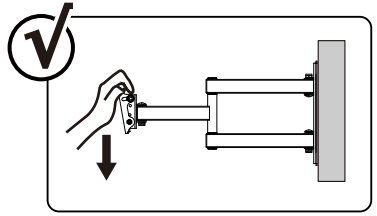


Use a hammer to tap the anchors [A2] into the drilled holes. Ensure the anchors are seated flush with the concrete or brick surface. Mount the arm assembly / wall plate [01B] on the wall using lag screws [A1] and anchors [A2]. Tighten lag crews [A1] only until they are pulled firmly against the wall plate (DO NOT overtighten).

## Step 4 Verify that the Mount is Firmly Mounted



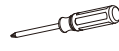
77 lbs  
(35kg)



## Step 5 Secure the TV onto the Arm Assembly / Wall Plate



**HEAVY!** You may need assistance with this step.

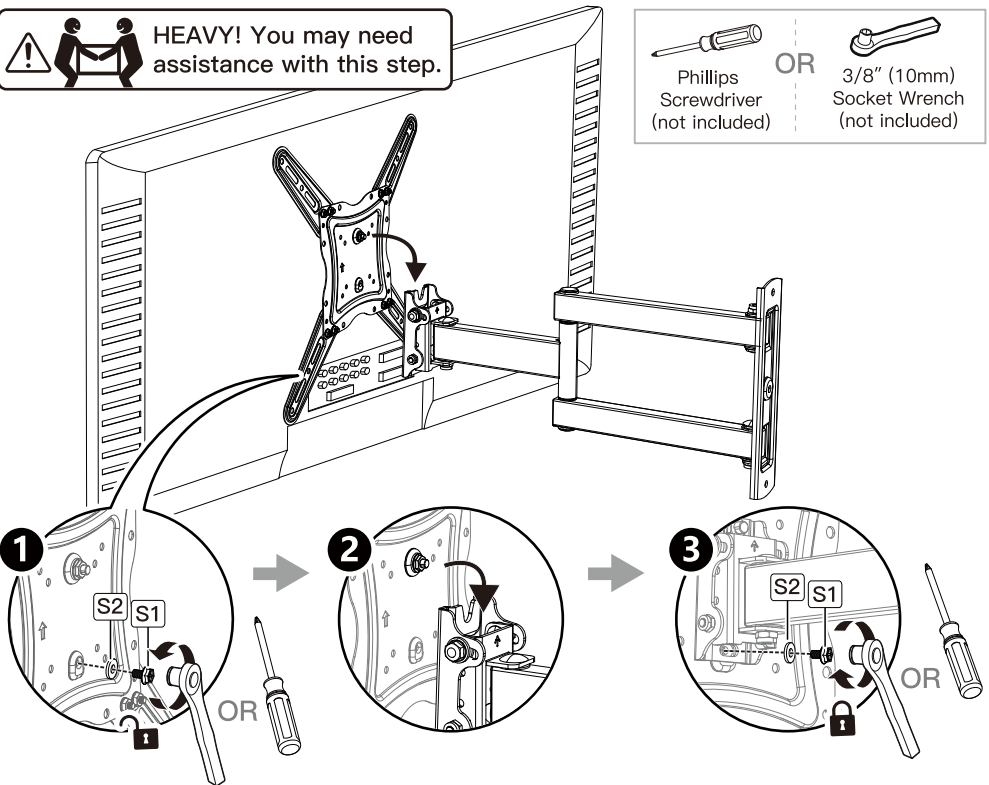


Phillips  
Screwdriver  
(not included)

OR

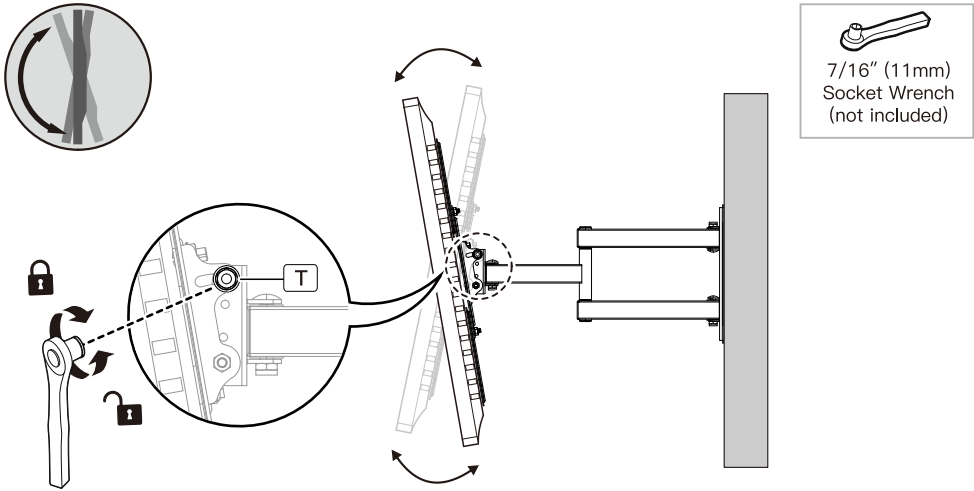


3/8" (10mm)  
Socket Wrench  
(not included)



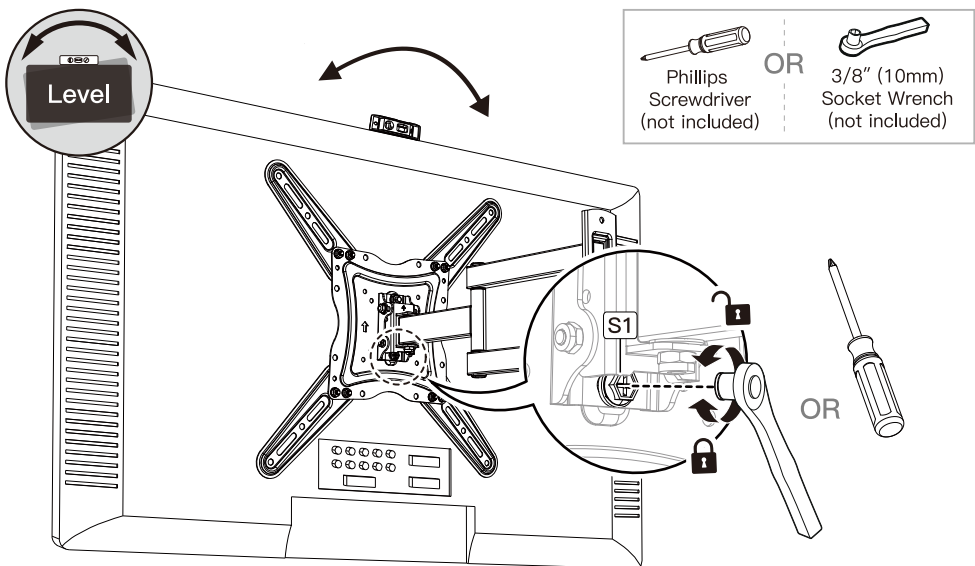
- ① Remove the preassembled bolt [S1] and washer [S2], and keep them for later use.
- ② Hang the TV on the arm assembly / wall plate [01B].
- ③ Reattach the bolt [S1] and washer [S2] to secure it.

## Step 6 Adjust the Tilt Angle of the TV



Slightly loosen 2 tilt nuts [T], then adjust your TV to the desired angle. Retighten the tilt nuts [T] to lock the tilt angle. Do not overtighten or overloosen.

## Step 7 Level the TV



Level your TV with the included level. Slightly loosen the bolt [S1] and adjust you TV. Retighten the bolt [S1] to hold the TV in position. Do not overtighten or overloosen.