

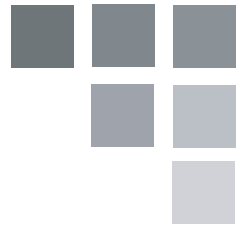
The Danby logo is presented in a bold, black, sans-serif font. It is contained within a white oval that has a subtle drop shadow, making it stand out against the dark grey background of the header.

# Danby

- Owner's Use and Care Guide
- Guide d'utilisation et soin de propriétaire
- Guía de utilización y cuidado para el propietario

**COMPACT CHEST FREEZER  
CONGÉLATEUR HORIZONTAL COMPACT  
CONGELADOR DE ARCÓN COMPACTO**

Model • Modèle • Modelo  
**DCF072A2BDB1**



# CONTENTS

## TABLE DES MATIÈRES

### ÍNDICE

#### COMPACT CHEST FREEZER

Owner's Use and Care Guide.....1-7

- Welcome
- Safety Instructions
- Installation
- Operation
- Care and Maintenance
- Troubleshooting
- Warranty

#### CONGÉLATEUR HORIZONTAL COMPACT

Guide d'utilisation et soin de propriétaire.....8-14

- Bienvenue
- Consignes de sécurité importantes
- Instructions d'installation
- Consignes d'utilisation
- Soins et entretien
- Dépannage
- Garantie

#### CONGELADOR DE ARCÓN COMPACTO

Guía de utilización y cuidado para el propietario.....15-21

- Bienvenido
- Instrucciones de seguridad importantes
- Instrucciones de instalación
- Instrucciones operadoras
- Limpieza y mantenimiento
- Solución sugerida
- Garantía

#### CAUTION:

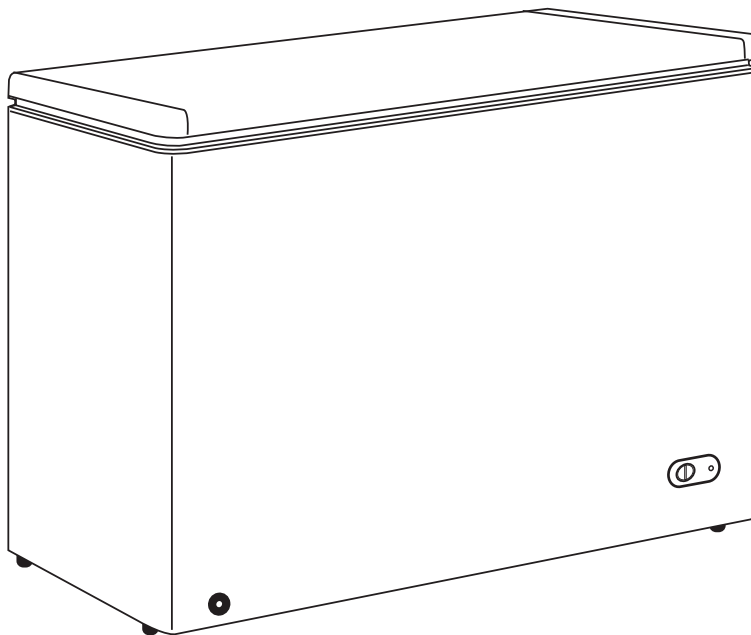
Read and follow all safety rules and operating instructions before first use of this product.

#### PRÉCAUTION :

Veillez lire attentivement les consignes de sécurité et les instructions d'utilisation avant l'utilisation initiale de ce produit.

#### PRECAUCIÓN:

Lea y observe todas las reglas de seguridad y las instrucciones de operación antes de usar este producto por primera vez.



# Welcome

Welcome to the Danby family. We are proud of our quality products, and we believe in dependable service, like you will find in this Owner's Use and Care Guide, and like you will receive from our friendly customer service department. Best of all, you will experience these values each and every time you use your Danby appliance. That is important, because your new appliance will be a part of your family for a long time.

**Note the information below; you will need this information to obtain service under warranty.  
To receive service, you must provide the original receipt.**

<b>Model Number:</b>	_____
<b>Serial Number:</b>	_____
<b>Date of Purchase:</b>	_____

## NEED HELP?

Before you call for service, here are a few things you can do to help us serve you better:

**Read this Owner's Use and Care Guide:**

It contains instructions to help you use and maintain your appliance properly.

**If you received a damaged appliance:**

Immediately contact the retailer (or builder) that sold you the appliance.

**Save time and money:**

Check the Troubleshooting section at the end of the guide before calling. This section helps you solve common problems that may occur.

If you do need service, you can relax, knowing help is only a phone call away.





# Important Safety Information

**READ AND FOLLOW ALL SAFETY INSTRUCTIONS**

This appliance must be grounded. In the event of an electrical short circuit, grounding reduces the risk of electrical shock by providing an escape wire for the electrical current.

## ELECTRICAL REQUIREMENTS

### WARNING

**ELECTRICAL RATING:** The serial rating plate indicates the voltage and frequency the freezer is designed for.

Due to possible variations in line voltage (caused by overloading of circuits), it is advisable to install a separate fuse circuit from the meter panel. This will help to eliminate current fluctuation which might cause motor trouble.

### IMPORTANT WARNING!

An empty freezer is a very dangerous attraction to children. Remove either the gasket or lid from unused appliances, or take some other action that will guarantee it harmless.

**DANGER:** Risk of child entrapment. Before you throw away your old freezer:

- Take off the doors.
- Leave the shelves in place so that children may not easily climb in.

**DON'T WAIT! DO IT NOW!**

### WARNING! EXPLOSION HAZARD!

Risk of fire or explosion due to puncturing of refrigerant tubing. Do not use sharp objects to aid in defrost. Please handle with care. Keep flammable materials and vapors such as gasoline away from the freezer. Use nonflammable cleaner.

Disposal of this unit should be in accordance with federal and local regulations.

Please ensure that component parts shall be replaced with like components and that servicing shall be done by factory authorized service personnel, so as to minimize the risk of possible ignition due to incorrect parts or improper service.

## GROUNDING INSTRUCTIONS

This appliance is equipped with a cord having a grounding wire with a grounding plug. The plug must be plugged into an outlet that is properly installed and grounded.

**WARNING** - Improper use of the grounding plug can result in a risk of electric shock. Consult a qualified electrician or service agent if the grounding instructions are not completely understood, or if doubt exists as to whether the appliance is properly grounded.

### **DO NOT USE AN EXTENSION CORD**

Use an exclusive 115V wall outlet. Do not connect your freezer to extension cords or together with any other appliance in the same wall outlet. Do not splice the cord.

**SAVE THESE INSTRUCTIONS!**



# Installation Instructions

## LOCATION

Remove exterior and interior packaging, wipe the outside thoroughly with a soft dry cloth and the inside with a wet, luke-warm cloth. Avoid placing the unit in a narrow recess or near any heat source, direct sunlight, or moisture. Let air circulate freely around the unit. Keep the rear of the freezer 5 inches away from the wall.

- 1) Locate the freezer in such a manner that extension cords are not necessary.
- 2) Due to lid and hinge arrangement, it is impossible to install your freezer directly against the wall. The spacing on the back is essential for maintaining proper air circulation around the freezer.
- 3) Select a location with reasonable year round temperatures. We do not recommend operating the freezer when surrounding air temperature is below 0°C (32°F), though it will not harm the freezer to stand in any temperature below 0°C (32°F), provided the temperature control is set to avoid running the unit. In order to keep operating cost down, do not place freezer near a stove, furnace, heat register or in direct sunlight. If the place selected for your freezer is damp or moist, as in basements, place freezer on wooden blocks (two or three 2x4's under entire length will ensure adequate support).

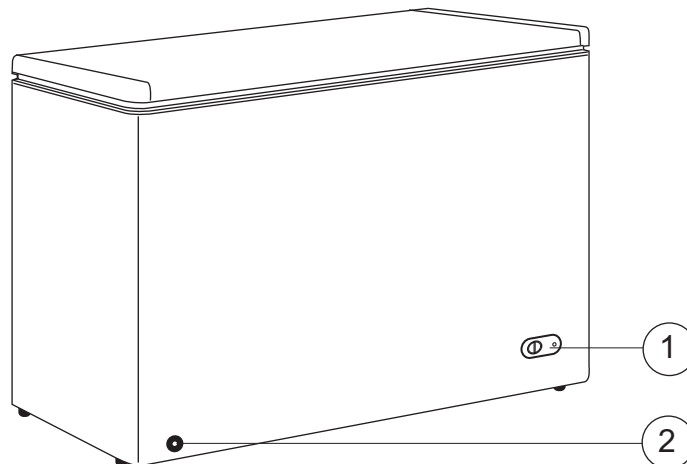
## FEATURES

- 1) **FRONT MOUNTED THERMOSTAT:** Easy access control knob controls the desired temperature inside the freezer. The proper food storage temperature is -18°C (0°F). The motor turns on as soon as the temperature rises above the desired level.
- 2) **DEFROST DRAIN:** For easy removal of melted ice during defrosting. It is recommended that you defrost your freezer once or twice a year.
- 3) **RUST RESISTANT INTERIOR:** Aluminum liner for long lasting durability (not pictured).



### CAUTION:

The hinge of a chest freezer is under tension. You must exercise **EXTREME CAUTION** when attempting to remove, replace, and/or adjust.



# Operating Instructions

## STARTING THE FREEZER

The freezer is ready to operate as received, when connected to the power supply. After connecting to power supply, close lid and allow freezer to operate. The unit will run from 1 to 2 hours (possibly longer, depending on conditions) before operating temperature is reached. It will then start and stop (cycle) at fairly regular intervals. It is recommended that food not be placed in the freezer until you are satisfied that it is operating (cycling) regularly and no final adjustments are necessary.

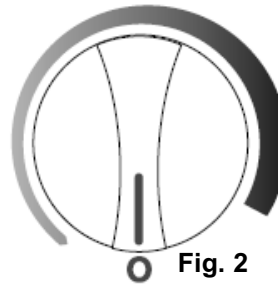
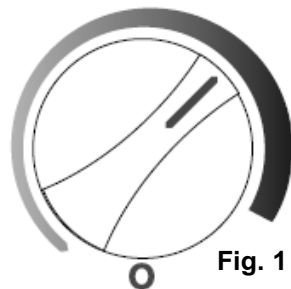
Once your freezer is starting and stopping (cycling) regularly, it is ready to freeze and store foods. The proper food storage temperature is  $-18^{\circ}\text{C}$  ( $0^{\circ}\text{F}$ ). Do not operate freezer at temperatures below  $-19^{\circ}\text{C}$  ( $-3^{\circ}\text{F}$ ), as this does not improve food preservation and only results in longer unit (cycle) running time. It is not advisable to freeze more than 25 kg (50 lbs.) of food in any 24 hour period. It will take 15 or more hours of unit running time to freeze this amount of food.

When adding fresh, unfrozen food packages, store them against the walls. The sensing bulb of the thermostat is fastened to the liner wall on the “insulation side” of the freezer. In view of the value of the contents of your freezer, it is advisable to inspect contents and check freezer operation regularly.

## TEMPERATURE CONTROL

The temperature of the freezer compartment is controlled by adjusting / setting the thermostat control knob, located on the front of the freezer cabinet. To start the freezer and achieve maximum cooling quickly:

- Turn the temperature control knob clockwise to the furthest (maximum) setting on the darker blue (wide) section of the graduated control dial.
- Allow the freezer to run at this setting for 3-4 hours.
- When maximum cooling is achieved, turn back the temperature control knob setting to the 2 o'clock position on the graduated blue control dial. See Fig.1.
- To turn off the freezer (no cooling), rotate the control knob to the “0” (off) position. See Fig.2.





# Care and Maintenance

## DEFROSTING

Moisture will be introduced to the liner during lid openings and the addition of unfrozen food packages. The moisture will accumulate in the form of frost, mostly on the upper part of the liner walls. Accumulation of frost up to 6 mm (1/4") on the liner is not harmful. However, when it becomes heavier, it should be removed as it slows cooling, resulting in longer running (cycle) times. Under average conditions, defrosting will not be necessary more than once or twice a year. Besides frost, food particles and other foreign substances may accumulate and soil the liner.

For proper defrosting and cleaning, the following method is recommended:

- a) Unplug freezer.
- b) Quickly remove all frozen food and store in baskets, cartons or other suitable containers. Keep food well covered with blankets to avoid excessive temperature rise.
- c) With the help of a wooden spatula or a plastic defrosting scoop, remove the frost and ice off the liner walls as soon as it becomes loose (approximately 15 minutes from start) - **do not use any sharp instruments** as this may result in damage to the liner wall and/or sealed system, voiding any and/or all warranties which may be in effect. Using a piece of cloth soaked in hot water, the process can be considerably accelerated. As soon as the ice has fallen to the bottom, remove it. Do not let it melt in the freezer as this will increase defrosting and cleaning time.

## CLEANING

Now the liner is ready to be cleaned. Sprinkle baking soda on the bottom and walls. This will help in cleaning and odor removal. In order to retain the finish of the freezer cabinet inside and outside, wash only with warm water and mild soap, then rinse and dry. Do not under any circumstances use a gritty soap or a kitchen scouring cleanser, as these tend to scratch the finish.

## VACATION TIME

For short vacation periods, leave the control knob at its normal setting. During longer absences,

- (a) remove all foods.
- (b) disconnect power cord from electrical outlet.
- (c) defrost and clean the freezer thoroughly.
- (d) leave lid open to avoid possible formations of condensation, mold or odors.

## ELECTRICAL AND MECHANICAL FAILURE

In the event of mechanical or electrical failure of the freezer, contact a service agent immediately and give complete information of your freezer, the model number and the serial number. These are shown on the serial plate located on the exterior (rear) cabinet wall.

## POWER FAILURE

Most power failures are corrected within an hour or two and will not affect your freezer temperatures. However, you should minimize the number of lid openings while the power is off. During power failures of longer duration, take steps to protect your food.

## IF YOU MOVE

Remove or securely fasten down all loose items inside the unit. To avoid damaging the leveling legs, turn them all the way into the base.



# Care and Maintenance

## SOME IMPORTANT RULES FOR THE CORRECT USE OF THE FREEZER

- Never place hot foods in the freezer.
- Never place spoiled foods in the unit.
- Don't overload the unit.
- Don't open the lid unless necessary.
- Should the freezer be stored without use for long periods, it is suggested, after a careful cleaning, to leave the lid open to allow the air to circulate inside the unit in order to avoid the possibility of condensation, mold or odors.



# Troubleshooting

Occasionally, a minor problem may arise, and a service call may not be necessary- use this troubleshooting guide for a possible solution. If the unit continues to operate improperly, call an authorized service depot or **Danby's Toll Free Number** for assistance.

Tel: 1-800-26-**Danby**® (1-800-263-2629).

PROBLEM	POSSIBLE CAUSE	POSSIBLE SOLUTION
1) Does not work.	<ul style="list-style-type: none"> <li>• No power to unit.</li> <li>• Power cord is unplugged.</li> <li>• Wrong voltage is being used.</li> </ul>	<ul style="list-style-type: none"> <li>• Check connection of power cord to power source.</li> <li>• Plug in unit.</li> <li>• Use proper voltage.</li> </ul>
2) Freezer runs continuously.	<ul style="list-style-type: none"> <li>• Temperature set too low.</li> <li>• Lid is not closed.</li> <li>• Hot food inserted.</li> <li>• Lid opened too long or too often.</li> <li>• Close proximity to heat source or direct sunlight.</li> </ul>	<ul style="list-style-type: none"> <li>• Set temperature control to warmer setting</li> <li>• Close lid securely.</li> <li>• Be sure food is at room temperature before inserting.</li> <li>• Minimize lid openings/ duration.</li> <li>• Do not place unit close to heat sources or direct sunlight.</li> </ul>
3) Internal temperature not cold enough.	<ul style="list-style-type: none"> <li>• No power to unit.</li> <li>• Power cord is unplugged.</li> <li>• Temperature set too high.</li> <li>• Lid is not closed.</li> <li>• Hot food inserted.</li> <li>• Lid opened too long or too often.</li> <li>• Air flow obstruction.</li> <li>• Wrong voltage is being used.</li> <li>• Close proximity to heat source or direct sunlight.</li> </ul>	<ul style="list-style-type: none"> <li>• Check connection of power cord to power source.</li> <li>• Plug in unit.</li> <li>• Check setting and increase as needed.</li> <li>• Close lid securely.</li> <li>• Be sure that food is at room temperature.</li> <li>• Minimize lid openings/ duration.</li> <li>• Allow room for air to circulate around unit.</li> <li>• Use proper voltage.</li> <li>• Do not place unit close to heat sources or direct sunlight.</li> </ul>

## LIMITED IN-HOME APPLIANCE WARRANTY

This quality product is warranted to be free from manufacturer's defects in material and workmanship, provided that the unit is used under the normal operating conditions intended by the manufacturer.

This warranty is available only to the person to whom the unit was originally sold by Danby Products Limited (Canada) or Danby Products Inc. (U.S.A.) (hereafter "Danby") or by an authorized distributor of Danby, and is non-transferable.

### TERMS OF WARRANTY

Plastic parts, are warranted for thirty (30) days only from purchase date, with no extensions provided.

*First year* During the first twelve (12) months, any functional parts of this product found to be defective, will be repaired or replaced, at warrantor's option, at no charge to the ORIGINAL purchaser.

*To obtain service* Danby reserves the right to limit the boundaries of "In Home Service" to the proximity of an Authorized Service Depot. Any appliance requiring service outside the limited boundaries of "In Home Service", it will be the consumer's responsibility to transport the appliance (at their own expense) to the original retailer (point of purchase) or a service depot for repair. See "Boundaries of In Home Service" below. Contact your dealer from whom your unit was purchased, or contact your nearest authorized Danby service depot, where service must be performed by a qualified service technician. If service is performed on the units by anyone other than an authorized service depot, or the unit is used for commercial application, all obligations of Danby under this warranty shall be void.

*Boundaries of in-home service* If the appliance is installed in a location that is 100 kilometers (62 miles) or more from the nearest service center your unit must be delivered to the nearest authorized Danby Service Depot, as service must only be performed by a technician qualified and certified for warranty service by Danby. Transportation charges to and from the service location are not protected by this warranty and are the responsibility of the purchaser.

Nothing within this warranty shall imply that Danby will be responsible or liable for any spoilage or damage to food or other contents of this appliance, whether due to any defect of the appliance, or its use, whether proper or improper.

### EXCLUSIONS

Save as herein provided, by Danby, there are no other warranties, conditions, representations or guarantees, express or implied, made or intended by Danby or its authorized distributors and all other warranties, conditions, representations or guarantees, including any warranties, conditions, representations or guarantees under any Sale of Goods Act or like legislation or statute is hereby expressly excluded. Save as herein provided, Danby shall not be responsible for any damages to persons or property, including the unit itself, howsoever caused or any consequential damages arising from the malfunction of the unit and by the purchase of the unit, the purchaser does hereby agree to indemnify and hold harmless Danby from any claim for damages to persons or property caused by the unit.

### GENERAL PROVISIONS

No warranty or insurance herein contained or set out shall apply when damage or repair is caused by any of the following:

- 1) Power failure.
- 2) Damage in transit or when moving the appliance.
- 3) Improper power supply such as low voltage, defective house wiring or inadequate fuses.
- 4) Accident, alteration, abuse or misuse of the appliance such as inadequate air circulation in the room or abnormal operating conditions (extremely high or low room temperature).
- 5) Use for commercial or industrial purposes (ie. If the appliance is not installed in a domestic residence).
- 6) Fire, water damage, theft, war, riot, hostility, acts of God such as hurricanes, floods etc.
- 7) Service calls resulting in customer education.
- 8) Improper Installation (ie. Building-in of a free standing appliance or using an appliance outdoors that is not approved for outdoor application). Proof of purchase date will be required for warranty claims; so, please retain bills of sale. In the event warranty service is required, present this document to our AUTHORIZED SERVICE DEPOT.

**Warranty Service**  
In-home

Danby Products Limited  
PO Box 1778, Guelph, Ontario, Canada N1H 6Z9  
Telephone: (519) 837-0920 FAX: (519) 837-0449

**1-800-263-2629**  
07/13

Danby Products Inc.  
PO Box 669, Findlay, Ohio, U.S.A. 45840  
Telephone: (419) 425-8627 FAX: (419) 425-8629

# Bienvenue

Bienvenue dans la famille Danby. Nous sommes fiers de la qualité de nos produits et nous croyons fermement au service par une assistance fiable. Vous le découvrirez à la lecture de ce guide facile d'utilisation et vous en aurez la confirmation par notre service d'assistance à la clientèle. Mais ce qui est encore mieux, vous pourrez bénéficier de ces avantages à chaque utilisation de votre appareil. Ceci est important parce que votre nouvel appareil fera partie de votre famille pour longtemps.

**Veillez noter les informations ci-dessous; ces renseignements seront nécessaires si votre appareil a besoin d'entretien ou pour les demandes de renseignements généraux. Pour bénéficier d'une opération de maintenance ou de dépannage, le reçu original sera exigé.**

**Numéro de modèle :** \_\_\_\_\_

**Numéro de serie :** \_\_\_\_\_

**Date d'achat :** \_\_\_\_\_

## BESOIN D'ASSISTANCE ?

Veillez trouver quelques conseils avant de faire appel à nos services, cela nous aidera à mieux vous servir :

**Lisez ce guide :**

Il comprend des instructions pour l'utilisation et l'entretien adapté de votre appareil.

**Si votre nouvel appareil est endommagé :**

Contactez immédiatement le revendeur (ou le fabricant).

**Gagnez du temps et de l'argent :**

Avant de faire appel à nos services, consultez à nouveau la section « Dépannage ». Cette section vous aidera à résoudre des problèmes courants.

Si une réparation est nécessaire, ne vous inquiétez pas, la solution est au bout du fil.



1-800-26- **Danby**  
(1-800-263-2629)



# Consignes de sécurité importantes

**PRENDRE CONNAISSANCE DE TOUTES LES INFORMATIONS RELATIVES À LA SÉCURITÉ AVANT D'UTILISER LE PRODUIT**

Cet appareil doit être mis à la terre. En cas de court-circuit, la mise à la terre réduit les risques de décharge électrique en fournissant un échappatoire au courant électrique. L'appareil est muni d'un cordon électrique comprenant un fil de mise à la terre et une fiche de terre.

## CONDITIONS ÉLECTRIQUES

### ATTENTION

**ÉNERGIE ÉLECTRIQUE:** Le voltage et la fréquence requis pour ce congélateur sont indiqués sur la plaque d'identification.

Dû aux variations possibles sur la ligne de voltage (causé par une surcharge des circuits) il est recommandé d'installer un circuit séparé avec fusibles à partir du panneau compteur. Ceci aidera à éliminer les fluctuations du courant qui peuvent endommager le moteur.

### AVERTISSEMENT IMPORTANT!

Un congélateur vide peut représenter un attrait dangereux aux enfants. Retirer le joint d'étanchéité, les loquets, les couvercles ou portes des appareils ménagers inutilisés, ou prenez d'autres mesures qui assureront que l'appareil ne posera aucun danger.

**DANGER :** Risque de piéger un enfant. Avant de mettre votre vieux congélateur ou réfrigérateur au rebut :

- Enlever les portes.
- Laisser les tablettes en place afin que les enfants ne puissent pas facilement y entrer.

**N'ATTENDEZ PAS! FAITES-LE IMMÉDIATEMENT!**

### AVERTISSEMENT! DANGER D'EXPLOSION!

Risque d'incendie ou d'explosion causé par la perforation de tuyaux frigorigènes. Ne jamais utiliser un objet pointu pour assister au dégel. Manipuler avec soin. Garder les matériaux et vapeurs inflammables comme de l'essence loin du congélateur. Utiliser un nettoyant ininflammable.

La mise au rebut de cet item doit être faite selon les lois locales et fédérales.

**Veillez vous assurer que les pièces de rechange sont remplacées par des pièces similaires, et que l'entretien soit effectué par un technicien agréé par l'usine, afin de réduire le risque d'incendie à cause de mauvaises pièces ou d'entretien mal fait.**

## MISE À LA TERRE

L'appareil est muni d'un cordon électrique comprenant un fil de mise à la terre et une fiche de terre. Branchez la fiche dans une prise de courant correctement installée et mise à la terre.

**AVERTISSEMENT** - Une fiche de mise à la terre mal branchée peut entraîner un risque d'incendie, de choc électrique ou de blessures aux personnes qui utilisent l'appareil. Si vous n'êtes pas certain que l'appareil est correctement mis à la terre, consultez un préposé du service qualifié.

**N'UTILISER JAMAIS DE FIL DE RALLONGE.** Brancher le congélateur à son propre circuit de 115V. N'utilisez pas de rallonge électrique pour brancher votre congélateur. Ne branchez pas le congélateur à une prise femelle multiple qui sera également utilisée pour d'autres appareils électriques. N'épissez pas le cordon électrique.

**CONSERVEZ CES INSTRUCTIONS!**



# Instructions d'installation

## EMPLACEMENT

Enlevez les emballages extérieurs et intérieurs. Essuyez complètement l'extérieur avec un linge doux sec et l'intérieur avec un linge humide tiède. Il ne faut jamais situer l'appareil dans un recoin étroit, proche d'une source d'air chaud. L'air doit circuler à l'entour de l'appareil. Eloigner le congélateur au moins 5 pouces du mur.

- 1) Installez votre congélateur de telle façon qu'une rallonge électrique ne soit pas nécessaire.
- 2) Du fait de la position des charnières et du couvercle, il est impossible d'installer le congélateur directement contre le mur. Ceci aidera à la bonne circulation de l'air.
- 3) Choisissez un endroit où la température est modérée toute l'année. Ne pas faire fonctionner le congélateur lorsque l'air environnant est au-dessous de 0°C. Cependant, si la température est au-dessous de 0°C le congélateur ne subira aucun dommage tant que le contrôle de température n'actionne pas l'unité motrice. Pour raison d'économie d'électricité, ne pas placer le congélateur près d'un poêle, d'une fournaise, d'un registre de chaleur, d'un radiateur ou encore directement au soleil. Si la place choisie pour votre congélateur est humide, comme dans certaines caves ou sous-basements, placez le congélateur sur des blocs de bois. (Deux ou trois madriers de deux par quatre placés sur toute la longueur assureront un support adéquat).

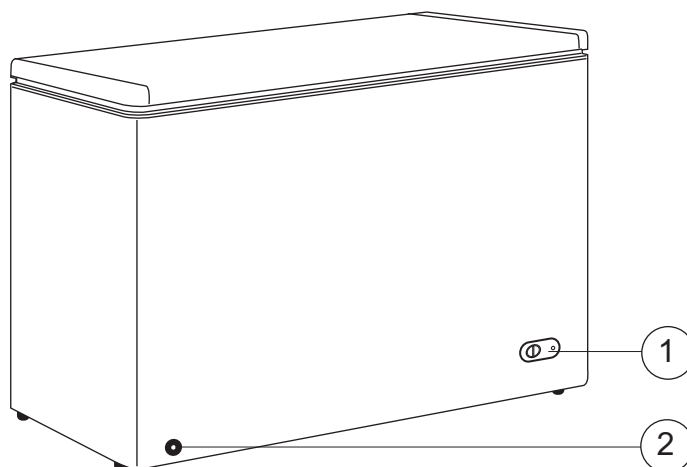
## CARACTÉRISTIQUES

- 1) **THERMOSTAT INSTALLÉ AU DEVANT** : Bouton de contrôle facile à trouver règle la température à l'intérieur du congélateur. La température de conservation est - 18°C (0°F). Le moteur se met en marche aussitôt que la température s'élève du degré exigé.
- 2) **DRAIN D'ÉCOULEMENT** : Le glace fondue peut être enlevée facilement durant le dégivrage, Il est recommandé que le congélateur soit dégivré une ou deux fois par an.
- 3) **PAROIS INTÉRIEURES ANTI-ROUILLE** : Parois en aluminium résistant.



### PRÉCAUTION :

La charnière d'un congélateur horizontal est sous tension. **PRENEZ GARDE** pendant le déplacement, le rechange ou l'ajustement.





# Consignes d'utilisation

## MISE EN MARCHÉ DU CONGÉLATEUR

Le congélateur est prêt à opérer dès qu'il a été branché sur une prise de courant électrique. Après le démarrage, fermez le couvercle et laissez le congélateur fonctionner. L'unité motrice marchera d'une à deux heures avant que la température d'opération soit atteinte. Elle repartira et s'arrêtera ensuite à des intervalles passablement réguliers. Il est recommandé de ne pas placer d'aliments dans le congélateur tant que vous serez satisfait du fonctionnement de l'appareil et qu'aucun autre ajustement final ne soit nécessaire.

Lorsque votre congélateur est en marche et qu'il s'arrête régulièrement, il est prêt à congeler et à conserver vos aliments.  $-18^{\circ}\text{C}$  ( $0^{\circ}\text{F}$ ) est une bonne température de stockage. Ne pas faire fonctionner le congélateur à des températures au-dessous de  $-19^{\circ}\text{C}$  ( $-3^{\circ}\text{F}$ ) étant donné que cela n'améliore pas la conservation des aliments et ne résulte qu'à faire fonctionner plus longtemps l'unité motrice.

Si on ajoute de la nourriture fraîche ou des paquets d'aliments non congelés, il est recommandé de les placer contre les parois. L'élément sensible du thermostat est apposé au mur de la cuve interne du « côté de l'isolation ». Du fait de la valeur du contenu de votre congélateur, il est conseillé d'inspecter son contenu et son opération régulièrement.

## CONTRÔLE DE LA TEMPÉRATURE

La température du compartiment de congélation est contrôlée en ajustant et/ou réglant la commande du thermostat qui est située sur le devant du caisson de congélateur. Pour mettre le congélateur en marche et obtenir un refroidissement rapide :

- Tournez la commande du thermostat dans la direction des aiguilles d'une montre à la position la plus éloignée (maximum) qui se trouve dans la section (épaisse) bleue foncée ure le cadran à échelle.
- Laissez le congélateur fonctionner à cette position pendant 3 à 4 heures.
- Lorsque le refroidissement maximal est réalisé, retournez la commande du thermostat sur l'échelle bleue foncée à la position équivalente à 2 heures sur la face d'un cadran. Voir la Fig. 3.
- Pour arrêter le congélateur (discontinuer le refroidissement), tournez la commande du thermostat à la position « 0 ». Voir la Fig. 4.

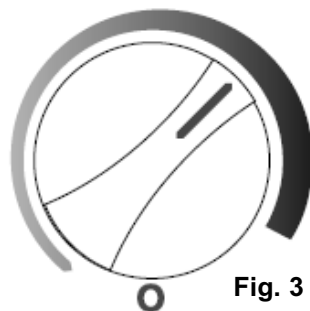


Fig. 3

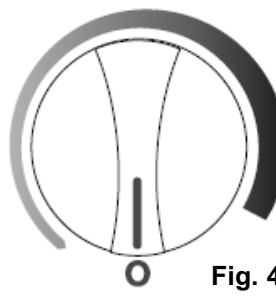


Fig. 4



## Soins et entretien

### DEGIVRAGE

Le givre imputable à l'air humide entrant dans le congélateur lorsque celui-ci est ouvert et aussi à l'humidité sur les paquets placés dans ce congélateur s'accumulera sur les parois intérieures, spécialement sur les parties du haut.

L'accumulation de givre jusqu'à 6 mm (1/4 po.) d'épaisseur n'est pas nuisible. Cependant, lorsque le givre devient plus épais il retarde le refroidissement et il en résulte des mises en marche plus longues de l'unité motrice. Le givre peut être enlevé avec une écope de bois ou une spatule de plastique simplement en grattant les accumulations de givre sur les parois. Ne pas utiliser des instruments pointus puisque ceux-ci peuvent endommager les parois et/ou le système scellé. Ceci annulerait partiellement ou complètement toutes les garanties courantes.

Dans des conditions d'utilisation normale il ne sera pas nécessaire de dégivrer plus qu'une fois ou deux par an.

En plus du givre, d'autres particules de nourriture et des substances étrangères peuvent aussi s'accumuler et souiller l'intérieure du congélateur. Pour un bon travail de nettoyage et de dégivrage, on recommande la méthode suivante :

a) Débrancher le congélateur.

b) Enlever rapidement tous les paquets de nourriture congelés et les ranger dans des paniers, des cartons et d'autres contenants disponibles. Conservez-les bien couverts dans des couvertures pour éviter l'élévation de la température.

c) Avec l'aide d'une spatule en bois ou tout autre objet semblable, enlevez le givre et la glace des parois du congélateur aussitôt que celle-ci se libère (approximativement 15 minutes du début). En utilisant un chiffon trempé dans de l'eau chaude, le procédé peut être accéléré considérablement. Aussitôt que la glace est tombée au fond, l'enlever. Ne la laissez pas fondre dans le congélateur puisque cela augmente la durée du dégivrage et de nettoyage.

### NETTOYAGE

Les parois sont maintenant prêtes à nettoyer. Saupoudrez du bicarbonate de soude sur le fond et parois. Ceci aide au nettoyage et à enlever les odeurs. Afin de ne pas abimer le fini de l'extérieur et l'intérieur du boîtier, lavez-les seulement à l'eau tiède et savon doux. Rincez et séchez. Il ne faut jamais utiliser de savon abrasif ou de récurant de cuisine car ils peuvent abimer le fini.

### PENDANT LES VACANCES

Si vous prenez des vacances de courte durée, laissez le bouton de commande à son réglage normal. Si l'absence doit durer longtemps :

- (a) enlever tous les aliments,
- (b) débranchez l'appareil de la prise murale,
- (c) nettoyez le congélateur complètement,
- (d) laisser la couvercle ouvert pour éviter les mauvaises odeurs.

### DÉMENAGEMENT

Enlever ou immobiliser toutes les pièces amovibles (*c'-à-d; les clayettes*) à l'intérieur du congélateur. Serrer les vis à niveaulement à la base afin de ne pas les endommager.

### PANNE ÉLECTRIQUE OU MÉCANIQUE

S'il arrivait une panne électrique ou mécanique sur votre congélateur, communiquez immédiatement avec votre vendeur en lui donnant l'information complète sur votre appareil, le numéro de modèle et le numéro de série. Ces numéros apparaissent sur la plaque d'identification à l'extérieur (sur la paroi arrière) de votre congélateur.

### PANNE D'ÉLECTRICITÉ

La plupart des pannes d'électricité sont corrigées dans un délai d'une heure et n'ont pas d'effets sur la température du congélateur. Il est nécessaire de réduire le nombre d'ouvertures du couvercle pendant une panne. Pendant les pannes qui durent plus qu'une heure, prendre des mesures pour protéger vos aliments.



## Soins et entretien

### IMPORTANTES CONSIGNES DE SÉCURITÉ POUR L'UTILISATION DU CONGÉLATEUR

- Ne jamais ranger d'aliments chauds dans le congélateur.
- Ne jamais surcharger l'appareil.
- Ouvrir le couvercle seulement si nécessaire.
- Pour un rangement prolongé de l'appareil, il est suggéré de laver l'appareil, de laisser la porte ouverte afin de fournir une circulation d'air à l'intérieur du meuble et d'éviter le développement de condensation, de mois et d'odeurs.



## Dépannage

De temps en temps, un problème est mineur et un appel de service peut ne pas être nécessaire. Utilisez ce guide de dépannage pour trouver une solution possible. Si l'unité continue de fonctionner incorrectement, appelez un dépôt de service autorisé ou le **numéro sans frais de Danby** pour obtenir de l'assistance.

Tel: 1-800-26-**Danby**® (1-800-263-2629).

PROBLÈME	CAUSE PROBABLE	SOLUTION
1) Ne fonctionne pas.	<ul style="list-style-type: none"> <li>• Pas de tension à l'unité.</li> <li>• Le cordon d'alimentation est débranché.</li> <li>• Le mauvais voltage est utilisé.</li> </ul>	<ul style="list-style-type: none"> <li>• Vérifiez la connexion du cordon d'alimentation.</li> <li>• Branchez l'appareil.</li> <li>• Utilisez le voltage approprié.</li> </ul>
2) Le congélateur fonctionne sans arrêt.	<ul style="list-style-type: none"> <li>• Le contrôle de température est réglé à un réglage trop élevé.</li> <li>• Le couvercle n'est pas fermée.</li> <li>• De la nourriture chaude a été insérée.</li> <li>• Le couvercle est ouvert trop souvent/longtemps.</li> <li>• Proximité d'une source de chaleur ou source de soleil.</li> </ul>	<ul style="list-style-type: none"> <li>• Vérifiez le contrôle de température et ajustez-le au besoin.</li> <li>• Fermez la couvercle.</li> <li>• Assurez-vous que la nourriture est fraîche avant de la placer dans l'appareil.</li> <li>• Minimisez l'ouverture du couvercle.</li> <li>• Ne placez pas l'appareil près d'une source de chaleur et évitez une exposition directe aux rayons du chaleur/du soleil.</li> </ul>
3) La température interne n'est pas assez froide.	<ul style="list-style-type: none"> <li>• Pas de tension à l'unité.</li> <li>• Le cordon d'alimentation est débranché.</li> <li>• Le contrôle de température est réglé à un réglage trop bas.</li> <li>• Le couvercle n'est pas fermé.</li> <li>• La nourriture est chaude.</li> <li>• Le couvercle est ouvert trop souvent/longtemps.</li> <li>• Obstruction de la circulation de l'air.</li> <li>• Le mauvais voltage est utilisé.</li> <li>• Proximité d'une source de chaleur ou exposition directe aux rayons du soleil.</li> </ul>	<ul style="list-style-type: none"> <li>• Vérifiez la connexion du cordon d'alimentation.</li> <li>• Branchez l'appareil.</li> <li>• Vérifiez le réglage et augmentez-le au besoin.</li> <li>• Fermez le couvercle.</li> <li>• Assurez-vous que la nourriture est fraîche avant de la placer dans l'appareil.</li> <li>• Minimisez l'ouverture du couvercle.</li> <li>• Laissez l'air circuler dans la pièce autour de l'appareil.</li> <li>• Utilisez le voltage approprié.</li> <li>• Ne placez pas l'appareil près d'une source de chaleur et évitez une exposition directe aux rayons du chaleur/du soleil.</li> </ul>

## GARANTIE LIMITÉE SUR APPAREIL ÉLECTROMÉNAGER À DOMICILE

Cet appareil de qualité est garanti exempt de tout vice de matière première et de fabrication, s'il est utilisé dans les conditions normales recommandées par le fabricant.

Cette garantie n'est offerte qu'à l'acheteur initial de l'appareil vendu par Danby Products Limited (Canada) ou Danby Products Inc. (E.- U.A.) (ci-après « Danby ») ou par l'un des ses distributeurs agréés et elle ne peut être transférée.

### CONDITIONS

Les pièces en plastique sont garanties pendant trente (30) jours seulement à partir de la date de l'achat, sans aucune prolongation prévue.

*Premiers 12 mois* Pendant les premiers douze (12) mois, toutes les pièces fonctionnelles de ce produit qui s'avèrent défectueuses seront réparées ou remplacées, selon le choix du garant, sans frais à l'acheteur INITIAL.

*Pour bénéficier du service* Le client sera responsable pour le transport et tous les frais d'expédition de tout appareil exigeant le service au dépôt de service autorisé le plus proche. S'adresser au détaillant qui a vendu l'appareil, ou à la station technique agréée de service la plus proche, où les réparations doivent être effectuées par un technicien qualifié. Si les réparations sont effectuées par quiconque autre que la station de service agréée où à des fins commerciales, toutes les obligations de Danby en vertu de cette garantie seront annulées.

*Limites de l'entretien à domicile* Si l'appareil est installé à plus de 100 kilomètres (62 milles) du centre de service le plus proche, il doit être livré à l'atelier de réparation autorisé par Danby le plus proche, car l'entretien doit uniquement être réalisé par un technicien qualifié et certifié pour effectuer un entretien couvert par la garantie de Danby. Les frais de transport entre votre domicile et le lieu de l'entretien ne sont pas couverts par la présente garantie et doivent être acquittés par l'acheteur.

Aucune partie de la garantie ne prévoit implicitement que le fabricant sera tenu responsable des dommages subis par les aliments ou d'autres types de contenu, qu'ils soient causés par la défectuosité de l'appareil ou par son usage adéquat ou inadéquat.

### EXCLUSIONS

En vertu de la présente, il n'existe aucune autre garantie, condition ou représentation, qu'elle soit exprimée ou tacite, de façon manifeste ou intentionnelle, par Danby ou ses distributeurs agréés. De même, sont exclues toutes les autres garanties, conditions ou représentations, y compris les garanties, conditions ou représentations en vertu de toute loi régissant la vente de produits ou de toute autre législation ou règlement semblables. En vertu de la présente, Danby ne peut être tenue responsable en cas de blessures corporelles ou des dégâts matériels, y compris à l'appareil, quelle qu'en soit les causes. Danby ne peut pas être tenue responsable des dommages indirects dus au fonctionnement défectueux de l'appareil. En achetant l'appareil, l'acheteur accepte de mettre à couvert et de dégager Danby de toute responsabilité en cas de réclamation pour toute blessure corporelle ou tout dégât matériel causé par cet appareil.

### CONDITIONS GÉNÉRALES

La garantie ou assurance ci-dessus ne s'applique pas si les dégâts ou réparations sont dus aux cas suivants :

- 1) Panne de courant.
- 2) Dommages subis pendant le transport ou le déplacement de l'appareil.
- 3) Alimentation électrique incorrecte (tension faible, câblage défectueux, fusibles incorrects).
- 4) Accident, modification, emploi abusif ou incorrect de l'appareil tel qu'une circulation d'air inadéquate dans la pièce ou des conditions de fonctionnement anormales (température extrêmement élevée ou basse).
- 5) Utilisation dans un but commercial ou industriel (à savoir, si l'appareil n'est pas installé dans un domicile résidentiel).
- 6) Incendie, dommages causés par l'eau, vol, guerre, émeute, hostilités, cas de force majeure (ouragan, inondation, etc.).
- 7) Visites d'un technicien pour expliquer le fonctionnement de l'appareil au propriétaire.
- 8) Installation inappropriée (par exemple, encastrement d'un appareil autoportant, ou utilisation extérieure d'un appareil non conçu à cet effet). Une preuve d'achat doit être présentée pour toute demande de réparation sous garantie. Prière de garder le reçu. Pour faire honorer la garantie, présenter ce document à la station technique agréée ou s'adresser à :

**Service sous garantie**  
Service au domicile

Danby Products Limited  
PO Box 1778, Guelph, Ontario, Canada N1H 6Z9  
Téléphone : (519) 837-0920 Télécopieur: (519) 837-0449

**1-800-263-2629**  
03/14

Danby Products Inc.  
PO Box 669, Findlay, Ohio, U.S.A. 45840  
Téléphone: (419) 425-8627 Télécopieur: (419) 425-8629

# BIENVENIDO

Bienvenido a la familia Danby. Estamos orgullosos de nuestros productos de alta calidad y creemos en el servicio confiable. Usted lo podrá apreciar en este manual fácil de usar, y lo escuchará en las voces amistosas de nuestro departamento de servicio al consumidor. Sobre todo, usted apreciará estas ventajas cada vez que use su unidad. Eso es importante, ya que su nuevo artefacto formará parte de su familia por mucho tiempo.

**Por favor escriba la siguiente información; esta información será necesaria si su unidad requiere servicio o para hacer consultas generales. Para recibir servicio técnico debe mostrar el recibo original.**

Número de modelo: \_\_\_\_\_

Número de serie: \_\_\_\_\_

Fecha de la compra: \_\_\_\_\_

## NECESITA AYUDA

Antes de solicitar servicio, hay algunas cosas que puede hacer para ayudarnos a servirle mejor...

**Lea este manual:**

Contiene instrucciones que lo ayudarán a mantener correctamente su unidad.

**Si usted recibe un artefacto dañado:**

Llame inmediatamente al distribuidor (o constructor) que se lo vendió.

**Ahorre tiempo y dinero:**

Lea la sección de Diagnóstico de Problemas antes de llamar. Esta sección le ayudará a resolver problemas comunes que pudieran ocurrir.

Si necesita asistencia, no se preocupe y llámenos.





# Instrucciones de seguridad importantes

## LEA TODA LA INFORMACIÓN SOBRE SEGURIDAD ANTES DE UTILIZAR EL EQUIPO

Este artefacto debe ser conectado a tierra. En caso de un corto circuito eléctrico, la conexión a tierra reduce el riesgo de una descarga eléctrica proporcionando un cable de retorno para la corriente eléctrica.

### REQUISITOS ELÉCTRICOS

### ADVERTENCIA

**POTENCIAS ELÉCTRICAS:** La placa de serie indica el voltaje y frecuencia que se debe utilizar para el congelador.

Debido a posibles variaciones en los voltaje de lines (ocasionadas por sobrecargas de circuitos), se recomienda instalar un circuito con fusibles separado del panel medidor. Esto ayudará a eliminar las flucuciones de corriente que pueden causar problemas con el motor.

### ¡ADVERTENCIA IMPORTANTE!

Un congelador vacío es una atracción muy peligrosa para los niños. Saque todas las juntas, pestillos, tapas o la puerta de todo electrodoméstico que no esté en uso, o tome alguna medida para asegurar que no presente peligro.

**¡PELIGRO!** Peligro de atraparse los niños en la unidad. Antes de desechar su antiguo refrigerador o congelador:

- Quite las puertas.
- Deje las tablas en sus lugares exactos a fin de que los niños no pusieran subir fácilmente a la unidad.

**¡NO ESPERE, HAGALO AHORA MISMO!**

### ¡ADVERTENCIA! ¡PELIGRO DE EXPLOSIÓN!

Hay riesgo de incendio o explosión si el tubo de refrigerante es perforado. No use objetos cortantes para ayudar en descongelamiento. Tratar con cuidado. Mantenga lejos del congelador los vapores y materiales inflamables, como la gasolina. Use un limpiador no inflamable.

Siga las normas federales y locales para desechar la unidad.

Asegúrese de que las piezas del componente se reemplacen con componentes similares y que la reparación sea realizada por personal de servicio autorizado por la fábrica, para minimizar el riesgo de incendio debido a piezas incorrectas o reparación inadecuada.

## LA CONEXIÓN A TIERRA

Este artefacto viene con un cable de alimentación que tiene un conductor y pata del enchufe de tierra. Este cable debe enchufarse en un tomacorriente debidamente instalado y con conexión a tierra.

**ADVERTENCIA:** El uso inadecuado del enchufe de conexión a tierra puede resultar en un riesgo de choque eléctrico. Consulte con un electricista o persona de reparaciones competente si no comprende bien las instrucciones de conexión a tierra o si existe alguna duda sobre si el aparato está conectado a tierra correctamente.

**NO USE CABLES DE EXTENSIÓN:** Use una toma de corriente exclusiva de 115V. No conecte su congelador a cables de extensión o junto a otro aparato en la misma toma de corriente. No empalme el cable.

## ¡GUARDE ESTAS INSTRUCCIONES!



# Instrucciones de instalación

## UBICACIÓN

Saque los embalajes exteriores e interiores, limpie el exterior bien con un paño suave seco y el interior con un paño húmedo y tibio. Evite colocar la caja en un hueco estrecho o cerca de una fuente de calor, luz desol directa, o lugar húmedo. Deje que el aire circule libremente alrededor de la caja. Mantenga la parte posterior del congelador a 5 pulgadas de la pared.

- 1) Coloque el congelador de tal manera que no necesite cordones prolongadores.
- 2) Debido a la construcción de las bisagras y de la tara, es imposible colocar el congelador directamente contra la pared. El espacio en la parte posterior es esencial para mantener la circulación alrededor del congelador.
- 3) Esconja una ubicación que tenga una temperatura razonable durante todo el año. No utilice el congelador si la temperatura ambiente es inferior a 0°C. Sin embargo, el congelador no sufrirá daños si se encuentra en un ambiente con temperaturas inferiores a 0°C, siempre que el control del congelador esté regulado para que la unidad no funcione, no coloque el congelador cerca de un horno, una caldera, en el sol. Si el lugar que ha seleccionado para su congelador es húmedo o mojado, tal como ocurre en algunos sótanos, coloque el congelador sobre bloques de madera (dos o tres tirantes de madera de 2x4 colocados a lo largo brindarán apoyo adecuado).

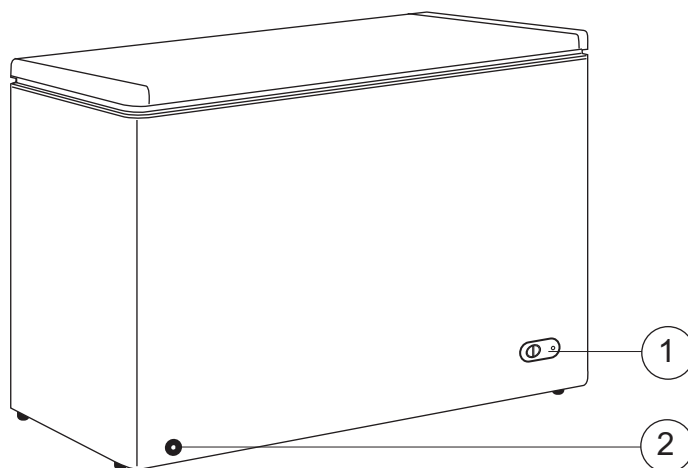
## CARACTERÍSTICAS

- 1) **TERMOSTATO DE MONTAJE FRONTAL:** Perilla de control de fácil acceso, para regular la temperatura que necesite dentro del congelador. La temperatura apropiada para almacenar alimentos es -18°C (0°F). Enciende el motor el cuanto la temperatura exceda el nivel deseado
- 2) **DRENAJE PARA DESCONGELAMIENTO:** Para retirar fácilmente el hielo derretido cuando se descongele. Es recomendable descongelar la unidad una o dos veces al año.
- 3) **INTERIOR RESISTENTE A LA HERRUMBRE:** Revestimiento de aluminio para una larga duración.



### PRECAUCIÓN:

La bisagra del congelador de arcón está bajo tensión. **Debe tener sumo cuidado** antes de intentar sacarla, reemplazarla y/o ajustarla.





# Instrucciones operadoras

## MARCHA DEL CONGELADOR

El congelador está listo para funcionar cuando se conecta con una fuente de alimentación de electricidad. Luego de conectarlo a la fuente de alimentación, cierre la tapa y deje funcionando el congelador. La unidad funcionará una a dos horas hasta alcanzar la temperatura de funcionamiento. Luego funcionará y se parará en intervalos bastante regulares. Se recomienda no poner alimentos en el congelador, hasta que la persona que esté convencido, de que el congelador funciona normalmente y no requiere más ajustes.

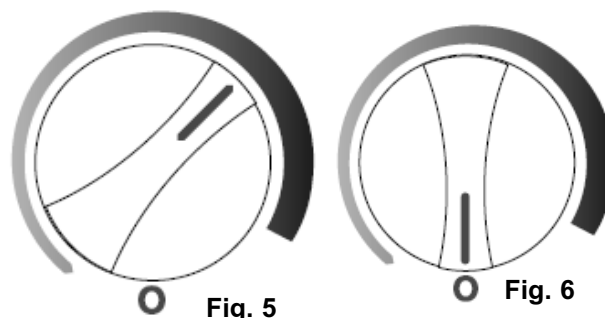
Una vez que su congelador arranca y se detiene (en ciclos) con regularidad, está listo para congelar y almacenar comidas. La temperatura de almacenamiento apropiada es de  $-18^{\circ}\text{C}$  ( $0^{\circ}\text{F}$ ). No utilice el congelador a temperaturas inferiores a  $-19^{\circ}\text{C}$  ( $-3^{\circ}\text{F}$ ) dado no mejora la preservación de la comida y con ello sólo se logra que el tiempo de funcionamiento de la unidad (ciclo) sea mayor. No es recomendable congelar más de 25 kg (50 lbs) de comida en un período de 24 horas cualquiera. A la unidad le llevará 15 horas o más congelar esta cantidad de alimentos.

Cuando agregue paquetes con alimento frescos no congelados, colóquelos contra la pared de la unidad. El sensor del termostato está colocado en la funda de la pared, del lado "con aislación" del congelador. En vista del valor de los alimentos en su congelador, se recomienda examinar el contenido y el funcionamiento del congelador en forma periódica.

## CONTROL DE TEMPERATURA

La temperatura del compartimiento del congelador es controlada ajustando/que fija la perilla de control del termostato, situada en el frente del gabinete del congelador. Para encender el congelador y alcanzar el máximo que se refresca rápidamente:

- Dé vuelta a la perilla del control de la temperatura a la derecha al ajuste (máximo) más futuro en la sección (ancha) azul más oscura del dial de control graduado.
- Permita que el congelador funcione en este ajuste por 3-4 horas.
- Cuando se alcanza el enfriamiento del máximo, dé vuelta detrás perilla del control de la temperatura que fija a la posición de las 2 respecto al dial de control azul graduado. Vea Fig.5.
- Para apagar el congelador (ninguna enfriamiento), gire la perilla de control a las "0" (apagado) posiciones. Vea Fig.6.





# Cuidado y mantenimiento

## DESCONGELACION

Cada vez que se abre la tapa y cada vez que se agregan paquetes de alimentos no congelados, humedad penetra en el congelador. Esta humedad se acumula en forma de "escarcha" generalmente en la parte superior de las paredes interiores del congelador.

Una acumulación de hasta 6mm (1/4 pulgada) de escarcha en el revestimiento no causa daños. Sin embargo, si la escarcha es más espesa deberá quitarse, ya que retarda el proceso de enfriamiento resultando en periodos de funcionamiento (ciclos) más prolongados. La escarcha puede quitarse con una cuchara de plástico para descongelar, simplemente raspando la escarcha acumulada en las paredes que pueden dañar el revestimiento de las paredes y/o el sistema de sellado eléctrico, lo que anulará toda y cualquier garantía que pudiera estar vigente.

Bajo condiciones normales, sólo se necesitará descongelar la unidad una o dos veces al año. Además de escarcha, el interior del congelador también puede ensuciarse debido a la acumulación de partículas de alimentos y de otras sustancias extrañas. Para efectuar una limpieza y descongelación a fondo se recomienda el siguiente método:

**a)** Desconecte el congelador.

**b)** Rápidamente retire todos los paquetes con alimentos y guárdelos en canastas, cartones u otros contenedores apropiados. Manténgalos bien cubiertos con frazadas, para evitar un aumento excesivo de temperatura.

**c)** Con la espátula de madera - u otro implemento - quite la escarcha y el hielo del revestimiento de las paredes en cuanto comience a desprenderse (aproximadamente 15 minutos después de comenzar a descongelar). Ud. podrá acelerar el proceso considerablemente usando un paño empapado con agua caliente. Quite el hielo en cuanto caiga al fondo del congelador. No deje que se derrita en el congelador, ya que esto tomará mucho más tiempo.

## LIMPIEZA

Ahora, el revestimiento está listo para limpiarlo. Espolvoree bicarbonato de sodio sobre el fondo y las paredes. Este le ayudará a limpiar y a quitar olores. Para conservar el acabado del interior y exterior del cuerpo del congelador, lávelos sólo con agua tibia y un jabón suave, luego enjuáguelos y séquelos. Bajo ninguna circunstancia use jabón abrasivo en polvo o productos para fregar, porque tienden a arañar el acabado.

## SI DEBE MUDARSE

Retire o fije los elementos sueltos que se encuentren dentro de la unidad. Para evitar que se dañen las patas niveladoras, métalas bien adentro de la base.

## CORTES DE CORRIENTE Y FALLAS MECÁNICAS

En el caso de fallas mecánicas o de un corte de corriente en el congelador, sírvase ponerse en contacto con su distribuidor de inmediato, proporcionándole la información completa sobre su congelador, números se encuentran en la placa de serie ubicada en la parte exterior del congelador (en la pared posterior).

## FALLAS ELÉCTRICAS

La mayoría de los cortes de energía eléctrica se corrigen en una o dos horas y no afectan la temperatura del congelador. Sin embargo, debe reducir al mínimo la cantidad de veces que abre la puerta mientras no haya suministro eléctrico. Si el corte de suministro eléctrico es prolongado, tome medidas para conservar los alimentos.

## VACACIONES

Si se va de vacaciones por unos días, deje la perilla de control en su graduación habitual. Durante ausencias más largas,

**(a)** retire todos los alimentos,

**(b)** desconecte el cordón eléctrico del tomacorriente,

**(c)** descongele y limpie el congelador por completo,

**(d)** deje la puerta abierta para evitar posibles formaciones de líquido condensado, moho y malos olores.



## Cuidado y mantenimiento

### ALGUNAS REGLAS IMPORTANTES PARA EL USO CORRECTO DEL CONGELADOR

- Nunca coloque alimentos calientes en el congelador.
- Nunca coloque en la unidad alimentos que se hayan echado a perder.
- No sobrecargue la unidad.
- No abra la puerta a menos que sea necesario.
- Si el congelador no se va a usar por mucho tiempo se sugiere que, después de realizar una limpieza cuidadosa, deje la puerta abierta para permitir que circule el aire dentro de la unidad, a fin de impedir que se produzca condensación, moho y malos olores.



## Solucion sugerida

A menudo, los problemas son sencillos y no es necesario hacer una llamada de reparación, use esta guía de resolución de problemas para encontrar una posible solución. Si la unidad sigue funcionando mal, llame a los **números gratuitos de un centro Danby** de servicio autorizado.

Tel: 1-800-26-**Danby**® (1-800-263-2629)

PROBLEMA	POSSIBLE CAUSA	SOLUCIÓN SUGERIDA
1) No funciona.	<ul style="list-style-type: none"> <li>• No llega alimentación a la unidad.</li> <li>• Cable de alimentación desenchufado.</li> <li>• Voltaje incorrecto.</li> </ul>	<ul style="list-style-type: none"> <li>• Revise la conexión del cable de alimentación al enchufe.</li> <li>• Enchufe la unidad.</li> <li>• Use el voltaje correcto.</li> </ul>
2) El congelador funciona constantemente.	<ul style="list-style-type: none"> <li>• Control de temperatura demasiado alto.</li> <li>• La puerta no está cerrada.</li> <li>• Se colocó comida caliente.</li> <li>• Se abrió la puerta demasiadas veces durante mucho tiempo.</li> <li>• Muy cerca de una fuente de calor obajo la luz directa del sol.</li> </ul>	<ul style="list-style-type: none"> <li>• Baje el control de temperatura.</li> <li>• Cierre bien la puerta.</li> <li>• Verifique que los alimentos estén a temperatura ambiente antes de guardarlos.</li> <li>• Abra menos veces la puerta.</li> <li>• No coloque la unidad cerca defuentes de calor o bajo la luz directadel sol.</li> </ul>
3) La temperatura interna no es muy fría.	<ul style="list-style-type: none"> <li>• No llega alimentación a la unidad.</li> <li>• Cable de alimentación desenchufado.</li> <li>• Control de temperatura muy bajo.</li> <li>• La puerta no está cerrada.</li> <li>• Alimentos calientes.</li> <li>• Se abrió la puerta demasiadas veces durante mucho tiempo.</li> <li>• Obstrucción del flujo de aire.</li> <li>• Voltaje incorrecto.</li> <li>• Muy cerca de una fuente de calor o bajo la luz directa del sol.</li> </ul>	<ul style="list-style-type: none"> <li>• Revise la conexión del cable de alimentación al enchufe.</li> <li>• Enchufe la unidad.</li> <li>• Verifique el ajuste y auméntelo como sea necesario.</li> <li>• Cierre bien la puerta.</li> <li>• Verifique que los alimentos estén a temperatura ambiente.</li> <li>• Abra menos veces la puerta.</li> <li>• Deje lugar para que circule aire alrededor de la unidad.</li> <li>• Use el voltaje correcto.</li> <li>• No coloque la unidad cerca de fuentes de calor o bajo la luz directa del sol.</li> </ul>

# GARANTÍA LIMITADA PARA ELECTRODOMÉSTICO

Este producto de calidad está garantizado contra defectos de fabricación, incluyendo partes y mano de obra, siempre y cuando la unidad se utilice bajo las condiciones normales de funcionamiento para las que fue diseñado.

Esta garantía está solamente disponible para la persona que haya comprado originalmente esta unidad directamente de Danby Products Limited (Canada) o Danby Products Inc. (U.S.A.) (en adelante "Danby") o uno de sus distribuidores autorizados, y no es transferible.

## CONDICIONES DE LA GARANTÍA

Las piezas plásticas, se autorizan por treinta (30) días solamente a partir de la fecha de la compra, sin las extensiones proporcionadas.

*Primeros 12 meses* Durante los primeros 12 meses, cualquier parte en buen estado de este producto que resulte defectuosa, incluyendo cualquier sistema sellado, será reparado o reemplazado, a opción del fabricante, sin cargo para el comprador ORIGINAL.

*Para obtener servicio* Danby se reserva el derecho de limitar la cobertura de "Servicio en Domicilio" sujeto a la proximidad de un Taller de Servicio Autorizado. Para todo artefacto que requiera servicio fuera del área limitada de "Servicio en Domicilio", el cliente será responsable por transportar dicho artefacto hasta el Taller de Servicio Autorizado más cercano. Consulte "Límites del servicio técnico a domicilio", a continuación. Comuníquese con el distribuidor donde haya comprado la unidad, o llame al Taller de Servicio Autorizado más cercano, donde debe ser reparada por un técnico calificado. Si esta unidad es reparada en otro lugar que no sea un Taller de Servicio Autorizado, o si la unidad se utiliza para aplicaciones comerciales, Danby no se hará responsable de ninguna forma y la garantía será anulada.

*Límites del servicio técnico a domicilio* Si el electrodoméstico está instalado en un lugar que se encuentra a 100 kilómetros (62 millas) o más del centro de servicios más cercano, se debe llevar la unidad al Centro de servicios Danby autorizado más cercano, ya que dicho servicio sólo puede realizarlo un técnico calificado y certificado por Danby para prestar servicios de garantía. Los cargos por transporte desde y hacia el lugar en que se efectúe el servicio técnico no están cubiertos por esta garantía y son de responsabilidad del comprador.

Nada dentro de esta garantía implica que Danby será responsable por cualquier daño que hayan sufrido los alimentos u otros contenidos de este aparato, ya sea debido a un defecto del aparato, o su uso, adecuado o inadecuado.

## EXCLUSIONES

Salvo lo aquí indicado por Danby, no existen otras garantías, condiciones o representaciones, explícitas o implícitas, concretas o intencionales por parte de Danby o sus distribuidores autorizados y todas las demás garantías, condiciones o representaciones, incluyendo cualquier garantía, condiciones o representaciones bajo cualquier Acta de Venta de Productos o legislación o estatuto similar, quedan de esta forma expresamente excluidas. Salvo lo aquí indicado, Danby no serán responsables por ningún daño a personas o bienes, incluyendo la propia unidad, sin importar su causa, o de ningún daño indirecto causado por el desperfecto de la unidad, y al comprar esta unidad, el comprador acepta por la presente, indemnizar y proteger a Danby contra cualquier reclamo por daños a personas o bienes causados por la unidad.

## CONDICIONES GENERALES

No se considerará ninguna de estas garantías o seguros cuando el daño o la necesidad de reparación sea el producto de los siguientes casos:

- 1) Falla del suministro eléctrico.
- 2) Daños en tránsito o durante el transporte de la unidad.
- 3) Alimentación incorrecta, como bajo voltaje, instalación eléctrica defectuosa o fusibles inadecuados.
- 4) Accidente, modificación, abuso o uso incorrecto del artefacto, tal como insuficiente ventilación del ambiente o condiciones de operación anormales (temperatura ambiente extremadamente alta o baja).
- 5) Utilización comercial o industrial (v.g., si el electrodoméstico no está instalado en una vivienda particular).
- 6) Incendio, daños por agua, robo, guerra, disturbios, hostilidades, actos de fuerza mayor como huracanes, inundaciones, etc.
- 7) Pedidos de servicio debido a desinformación del usuario.
- 8) Instalación inadecuada (v.g., instalación empotrada de un electrodoméstico diseñado como unidad independiente o uso de un electrodoméstico al aire libre que no esté aprobado para dicho fin).

Para acceder a la garantía se solicitará un comprobante de compra; por lo tanto, guarde su recibo. En caso de necesitar servicio de garantía, presente ese documento al TALLER DE SERVICIO AUTORIZADO.

**Servicio de Garantía**  
Servicio en Domicilio

Danby Products Limited  
PO Box 1778, Guelph, Ontario, Canada N1H 6Z9  
Telephone: (519) 837-0920 FAX: (519) 837-0449

**1-800-263-2629**  
07/13

Danby Products Inc.  
PO Box 669, Findlay, Ohio, U.S.A. 45840  
Telephone: (419) 425-8627 FAX: (419) 425-8629



### COMPACT CHEST FREEZER

All repair parts are available for purchase or special order when you visit your nearest service depot. To request service and/or the location of the service depot nearest you, call the TOLL FREE number.

When requesting service or ordering parts, always provide the following information:

- Product Type
- Model Number
- Part Number
- Part Description

---

### CONGELADOR DE ARCÓN COMPACTO

Todas las piezas de reparación disponibles para la compra o la orden especial cuando usted visita su depósito más cercano del servicio. Para pedir servicio y/o la localización del depósito del servicio lo más cerca posible usted, llama Danby gratis.

Al pedir servicio o pidiendo piezas, proporcione siempre la información siguiente:

- Tipo de producto
- Número de modelo
- Número de pieza
- Descripción de la parte

### CONGÉLATEUR HORIZONTAL COMPACT

Toutes les pièces de rechange ou commandes spéciales sont disponibles à votre centre de service régional autorisé. Pour obtenir le service et/ou la localité de votre centre de service régional, signalez le NUMÉRO D'APPEL SANS FRAIS.

Ayez les renseignements suivants à la portée de la main lors de la commande de pièce ou service:

- Type de produit
- Numéro de modèle
- Numéro de pièce
- Description de la pièce



**MODEL • MODÈLE • MODELO**  
**DCF072A2BDB1**