

STANLEY®

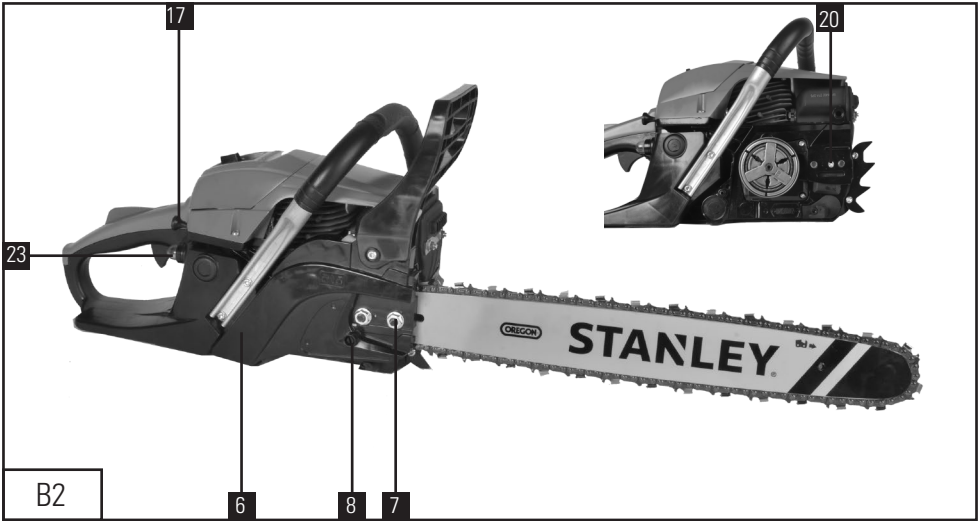
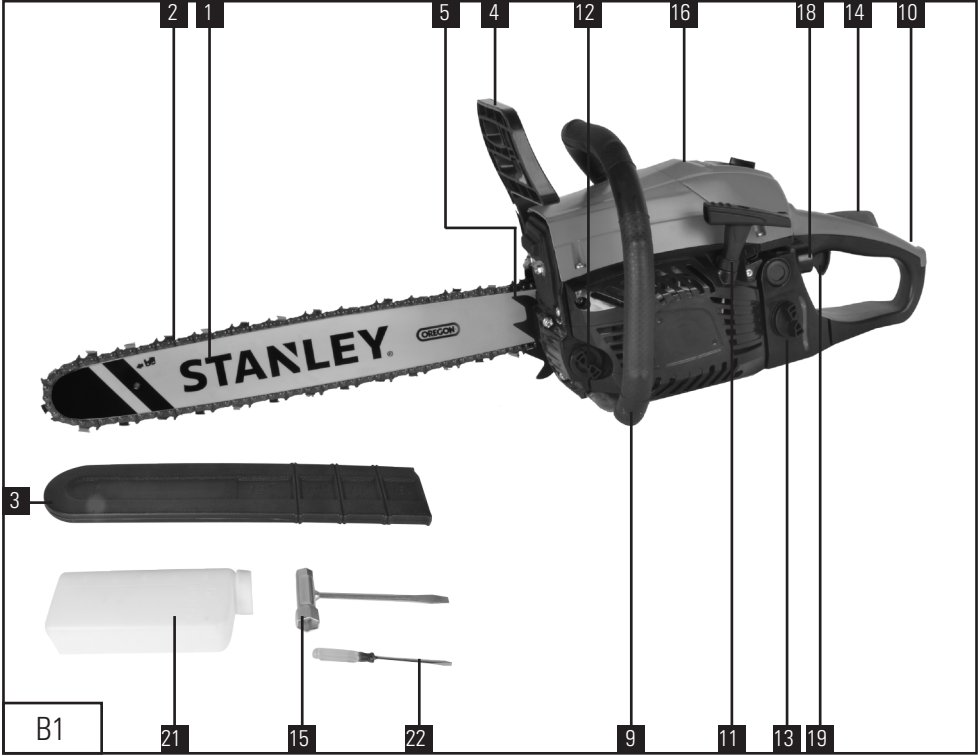
Petrol Chain saw

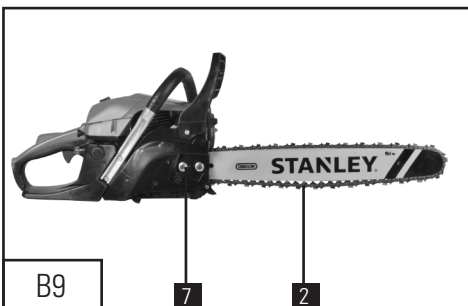
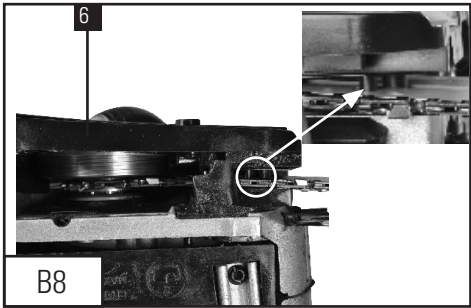
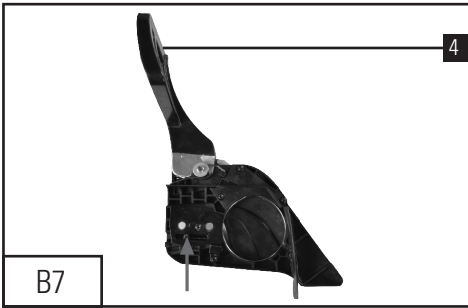
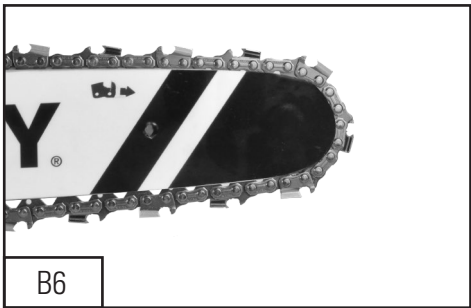
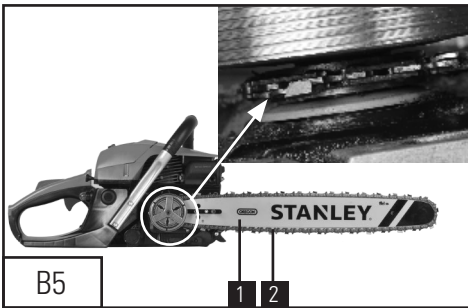
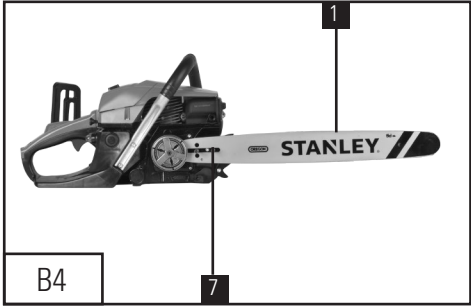
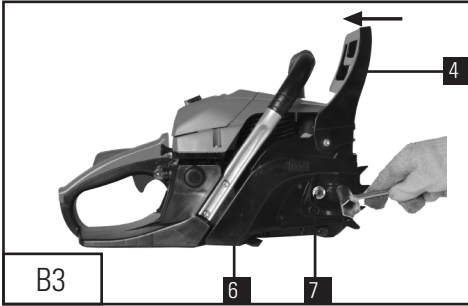
- GB** Original instructions
- D** Übersetzung der Originalanleitung
- F** Traduction des instructions originales
- I** Traduzione delle istruzioni originali
- PL** Tłumaczenie oryginalnej instrukcji
- HR** Prijevod izvorne instrukcije
- NL** Vertaling van de oorspronkelijke gebruiksaanwijzing
- EE** Originaaljuhend
- LT** Originalios naudojimo instrukcijos vertimas
- GR** Μετάφραση του πρωτοτύπου των οδηγιών χρήσης
- BG** Превод на оригиналната инструкция
- HU** Az eredeti használati útmutató fordítása

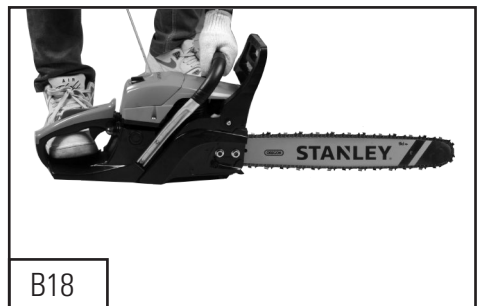
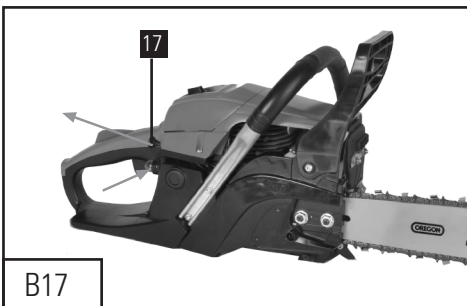
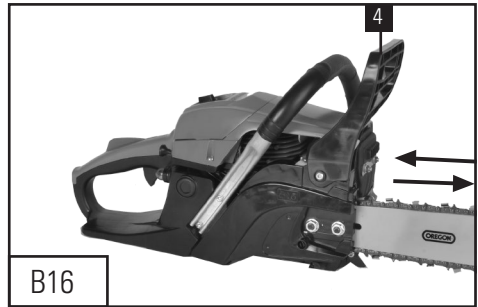
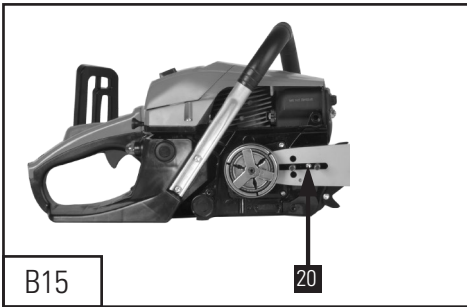
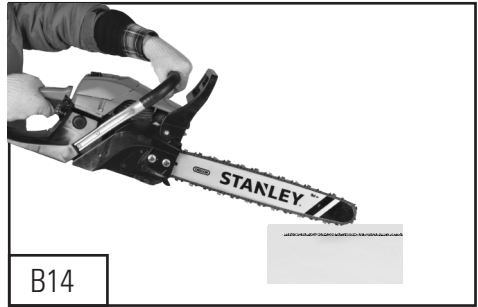
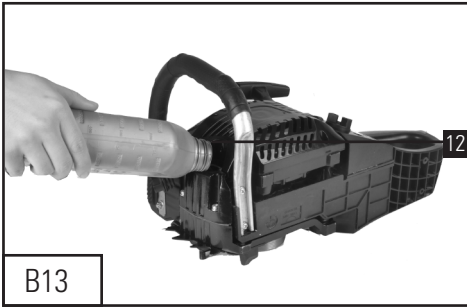
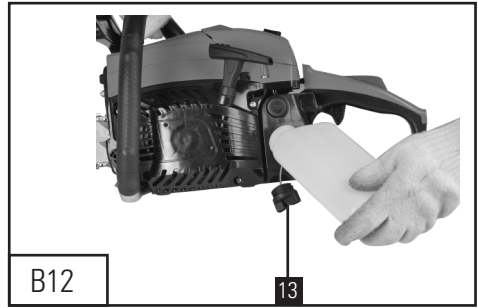
SCS-46 JET

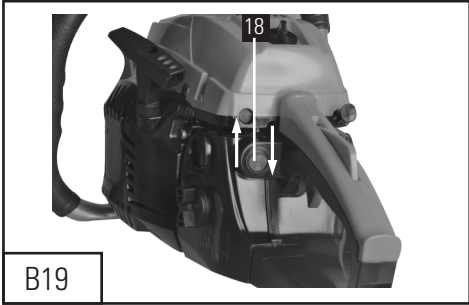
Petrol Chain saw

- GB** Manufactured under license by:
MATRIX GmbH • Postauer Straße 26 • D-84109 Wörth/Isar • www.matrix-direct.net
Stanley® is a registered trademark of The Stanley Works or its affiliates and is used under license.
Hergestellt unter Lizenz durch:
MATRIX GmbH • Postauer Straße 26 • D-84109 Wörth/Isar • www.matrix-direct.net
Stanley® ist eine eingetragene Marke der The Stanley Works oder ihren Partnern und wird unter Lizenz verwendet.
- F** Fabriqué sous licence par :
MATRIX GmbH • Postauer Straße 26 • D-84109 Wörth/Isar • www.matrix-direct.net
Stanley® est une marque déposée de The Stanley Works ou de ses sociétés affiliées, qui est utilisée sous licence.
- I** Prodotto sotto licenza di:
MATRIX GmbH • Postauer Straße 26 • D-84109 Wörth/Isar • www.matrix-direct.net
Stanley® is a registered trademark of The Stanley Works or its affiliates and is used under license.
- PL** Wyprodukowano na licencji przez:
MATRIX GmbH • Postauer Straße 26 • D-84109 Wörth/Isar • www.matrix-direct.net
Stanley® on Stanley Worksin tai sen tytäryhtiöitten omistama rekisteröity tavaramerkki, ja sen käyttö on luvanvaraista.
- HR** Proizvedeno pod licencom:
MATRIX GmbH • Postauer Straße 26 • D-84109 Wörth/Isar • www.matrix-direct.net
Stanley® je registrirani zaštitni znak tvrtke Stanley radova ili njegove podružnice, a koristi se pod licencom.
- NL** Geproduceerd onder licentie door:
MATRIX GmbH • Postauer Straße 26 • D-84109 Wörth/Isar • www.matrix-direct.net
Stanley® is een geregistreerd handelsmerk van The Stanley Works of zijn dochterbedrijven en wordt gebruikt onder licentie.
- EE** Toodetud litsentsi alusel:
MATRIX GmbH-Postauer Straße-26 D-84109 Wörth/Isar-www.matrix-direct.net
Stanley® on The Stanley Worksi või selle sidusettevõtete registreeritud kaubamärk ning seda kasutatakse litsentsi alusel.
- LT** Ražots ar licencij, ko:
MATRIX GmbH-Postauer Straße-26 D-84109 Wörth/Isar-www.matrix-direct.net
Stanley® ir re istr ta pre u z me Stenlija darbu vai t s fili u n tiek izmantota saska ar licencij.
- GR** Κατασκευάζεται κατόπιν άδειας από την Matrix:
MATRIX GmbH • Postauer Straße 26 • D-84109 Wörth/Isar • www.matrix-direct.net
Stanley® το σήμα STANLEY είναι κατοχυρωμένο και χρησιμοποιείται κατόπιν άδειας από την MATRIX.
- BG** vyroben é v licencii:
MATRIX GmbH • Postauer Straße 26 • D-84109 Wörth / Isar • www.matrix-direct.net
Stanley ® e регистрирана търговска марка на стенли работи или partnerov и го използваш в 2 licencii.
- HU** Licenc alapján gyártja:
MATRIX GmbH • Postauer Straße 26 • D-84109 Wörth/Isar • www.matrix-direct.net
Stanley® a The Stanley Works vagy leányvállalatainak bejegyzett védjegye.

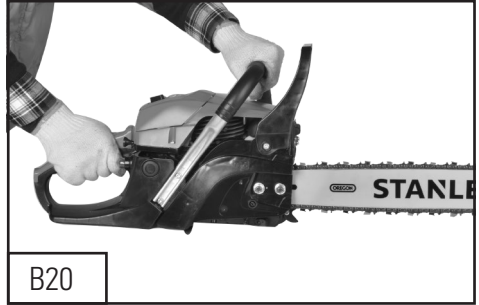




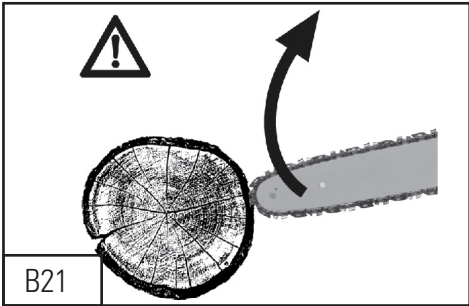




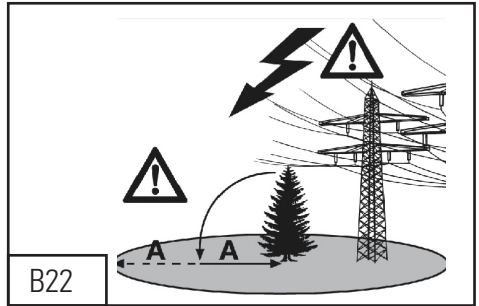
B19



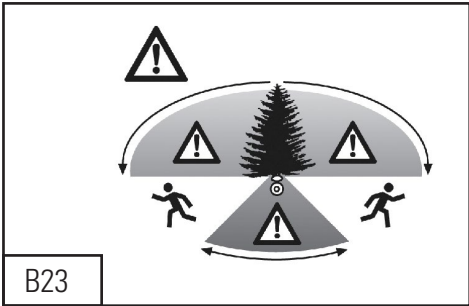
B20



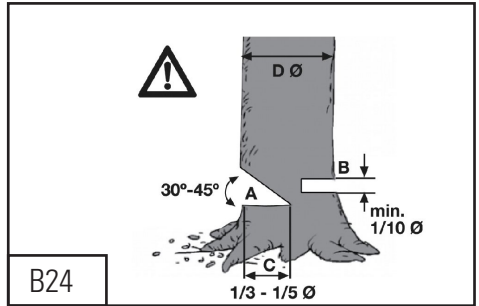
B21



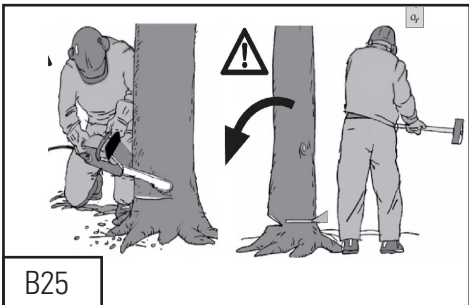
B22



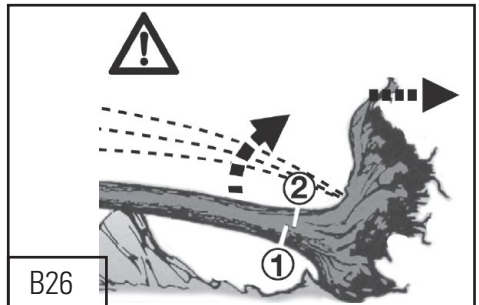
B23



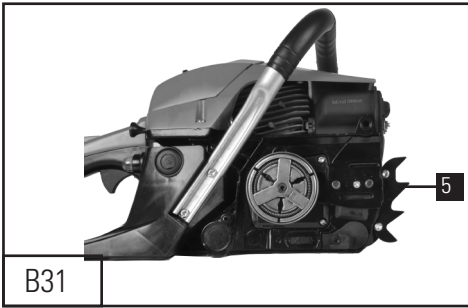
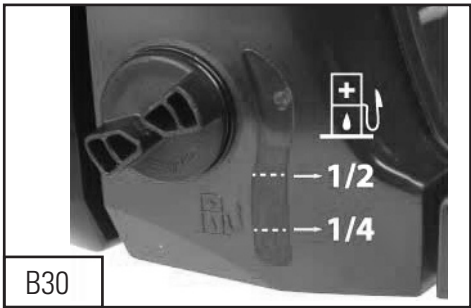
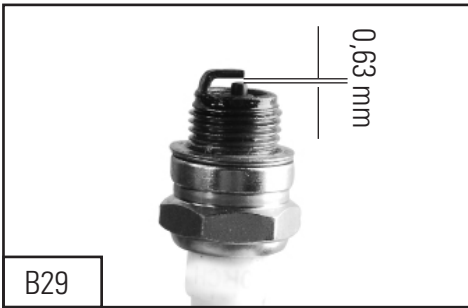
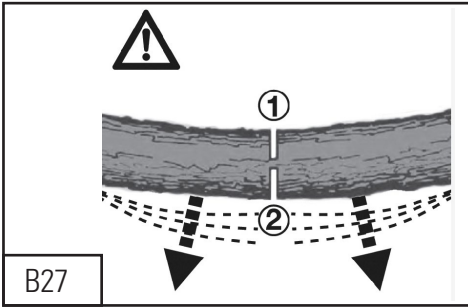
B24



B25



B26



Safety instructions and warnings



Read the instruction manual carefully before use.



Maintain a minimum distance of 15 m between the machine and other persons during use.



Wear approved ear protectors, head protection and goggles.



Wear non-slip, strong footwear.



Wear good quality, hard-wearing gloves.



Wear good quality, hard-wearing workwear.



The emissions are toxic and may cause asphyxia.



IMPORTANT. Fire risk.
Petrol and petrol fumes are highly inflammable.



WARNING: Do not use the chain saw in the rain or damp conditions. Protect it from moisture.



Protect yourself from saw kickback.
Hold the chain saw securely with both hands during use.



Hold the chain saw with the right hand on the rear handle and your left hand on the front handle.



Do not touch a hot silencer or cylinder. You may get burned. These parts get extremely hot from

operation. When turned off they remain hot for a short time.



The Chain brake is **DISENGAGED** (chain can move) when **BRAKE LEVER IS PULLED BACK AND LOCKED**.

The Chain brake is **ENGAGED** (chain is stopped) when brake lever is in forward position. You should not be able to move chain.



Guaranteed sound power level L_{WA} : 113 dB(A)



Gently press primer button often enough that no more bubbles are visible (approx. 5-6 times).



This machine complies with the prescribed safety regulations for petrol machines.

Read the instruction manual carefully before you start the machine.

Incorrect use may result in personal injuries and damage to property. Persons who are not familiar with instruction manual must not be allowed to use the machine, Keep the instruction manual in a safe place.

Children and young people are not permitted to use the machine.

Proper usage

This machine is designed exclusively for sawing wood, for example tree trunks, branches, planks, etc.

If it is used for any other purpose or if modifications are made to it, the manufacturer cannot accept any liability.

Also refer to the safety instructions, the assembly and operating instructions and also the general accident prevention regulations.

Safety instructions

Do not start or use the petrol chainsaw near other people or animals.

Do not use the machine if you are tired or distracted or your reactions are impaired due to the consumption of alcohol or medication. Inattention can result in serious injuries. Wear approved goggles.

Wear approved ear protectors.

Wear good quality gloves.

Wear good quality non-slip work shoes with safety steel toe-caps. Never use the machine when wearing sandals or barefoot. Wear an approved safety helmet at all times when carrying out forest clearance work.

Do not wear loose-fitting clothing or jewellery.

Wear long trousers to protect your legs.

Wear a head cover if you have long hair.

Loose-fitting clothing, jewellery and long hair could be caught in moving parts.

Wear suitable, close-fitting work clothing.

Keep your body parts and clothing away from the chainsaw when you start the engine and whilst it is running.

Ensure that you are standing on a firm, safe surface whilst working. Do not walk backwards carrying the machine to avoid stumbling. Do not adopt unnatural postures.

If you use the petrol chainsaw for lengthy periods of time, you may suffer circulation problems caused by vibrations (white finger disease). It is not possible to provide precise details on the duration of use in each case since it may differ from person to person. The following factors may affect this phenomenon: Circulation problems in the hands of the user, low outdoor temperatures and lengthy periods of use. We therefore recommend that you wear warm work gloves and take regular breaks.

The emissions from engines are toxic and may cause asphyxia. Do not start the petrol chainsaw in enclosed or poorly ventilated areas.

Only fill the fuel tank outdoors or in adequately ventilated areas.

Petrol and petrol vapours are highly flammable. Keep it away from inflammable materials and ignition sources, such as hot stoves or ovens.

Do not smoke whilst refuelling or using the machine. Dry up any spilled petrol immediately.

G B

Only start the petrol chainsaw away from the refuelling point.

Ensure that the cover on the tank is always well sealed. Watch for possible leaks.

Do not open the tank cover or refuel the machine whilst the engine is running or when the machine is hot.

Open the tank cover slowly so that the petrol vapours can escape.

Ensure that the handles are clean, dry and free of the petrol mixture.

Do not use the machine without the exhaust. You may suffer burns if you ignore this.

Use only the fuel recommended in this manual. Only keep petrol in containers designed for this purpose and in a safe place.

Switch off the machine before you put it down. Only work in daylight or in good artificial light. Conduct a visual inspection of the machine before use.

Check that all screws and connectors are tight. Always hold the machine firmly in both hands.

Check the machine and its components and safety equipment every time before use for signs of damage and wear and have any repair work carried out without delay. Never render protective and safety equipment non-functional. Do not use the machine if you discover signs of damage or wear.

Do not overload the machine and do not use it for any work for which it is not designed.

Ensure that the ventilation openings are always free of dirt.

Keep the machine out of the reach of children. Check the machine for signs of damage after any collisions of other types of damage.

Use only the accessories recommended by the manufacturer.

Only have the machine repaired by trained personnel and using only genuine spare parts.

This will ensure that the safety of the machine is maintained.

Do not use the chainsaw near inflammable liquids or gases or in a wet or damp environment. If you ignore this, there is a risk of fire or explosion.

Never leave the machine running unattended.

Only work in suitable light conditions.

You are responsible for safety in the area in which you are working.

Keep tools clean and in good working order so that they are easier and safer to work with.

Whilst working always keep the machine an adequate distance from your body.

Always switch off the machine during breaks and when changing location. Wait until the chainsaw stops and switch off the engine.

Never leave the machine unattended at the workplace. Store the machine in a safe place during breaks.

Always switch off the machine when changing location.

Personnel using the machine must not be distracted. This may cause them to lose control of the machine.

Never use the machine in rain, in wet or damp environments and do not store it outdoors.

If the machine becomes wet, wait until it is fully dry before using it again.

Protect the machine from rain and moisture.
Always hold the saw with two hands when the engine is running.

Use the claw to position the saw for every cut and always start every cut with the chain moving.

Complete the cut in such a way that the saw does not become trapped in the wood.

Pay special attention to branches that are under tension.

Only pull the machine out of the wood whilst the chain is still moving.

Never saw using one hand over shoulder height.
Always stand perpendicular to the slope when using the saw on a gradient.

Always stand to the side of falling trees.
Watch the falling direction of the sawn parts.
Never start a cut using the tip of the bar and never saw using the tip of the bar – danger of recoil!

There is always a risk of recoil if the tip of the bar touches wood or other objects. This makes the chainsaw impossible to control and may lead to it being catapulted with great force towards the operator.

Always saw through one branch at a time.
Watch neighbouring branches when lopping branches off a tree.

Never use the machine as a lever for moving objects.

Always use the chain guard for transporting the chainsaw.

Before use

Check the machine and chain to ensure that they are in perfect working order and safe to use.
Check the function of the chain lubrication system and the oil level. Check the chain tension and the function of the chain brake.

Machine components (B1-B2)

1. Guide bar
2. Saw chain
3. Chain guard
4. Chain brake / Hand guard
5. Claw stop
6. Sprocket wheel cover
7. Guide bar bolts/screws
8. Chain adjustment screw
9. Front handle
10. Rear handle
11. Starter cable
12. Oil tank cover
13. Petrol tank cover
14. Safety trip
15. Spark plug wrench
16. Air filter cover
17. Choke lever
18. Control switch
19. Throttle lever
20. Oil discharge duct
21. Fuel mixing canister
22. Screwdriver
23. Primer button

Assembly (B3-B4)

The saw chain and chain guide bar are not supplied ready-assembled.

To prevent injuries, wear gloves when fitting the saw chain, when tensioning the chain and during the subsequent chain tension check.

Fit the guide bar

- First disconnect the chain brake. Press the hand guard (4) towards the top handle for this purpose.

- Remove the sprocket wheel cover (6) by undoing the two guide bar screws (7).

- Assemble the claw stop (5) according to the picture above by using the spark plug wrench.(B31)

- Place the guide bar (1) with the notched end on the two guide bar bolts (7).

Fit the saw chain (B5-B9)

- Lay out the chain (2) in a loop. Ensure that the cutting claws point in a clockwise direction.

- Push the chain (2) over the coupling on to the sprocket wheel on the chainsaw. Ensure that the chain links are positioned precisely between the teeth of the sprocket wheel.

- Now place the chain (2) over the tip of the bar. Ensure that the chain links are positioned in the guide bar groove.

The saw chain will sag downwards at this time on the bottom of the guide bar.

- Now fit the sprocket wheel cover (6) again. Ensure that the chain adjustment tang engages in the hole on the guide bar. Only then will it be possible to fit the sprocket wheel cover (6) correctly.

Important! The chain must not slip off the guide bar (1).

the chain links must be positioned precisely between the teeth of the sprocket wheel.

the chain adjustment tang on the sprocket wheel must insert the hole on the guide bar.

- Now fit the two guide bar screws (7) again. Only tighten them by hand at this stage, however.

Tension the saw chain (B10-B11)

Ensure that the guide bar screws (7) for adjusting the saw chain (2) are only hand tight. Undo them if necessary.

- To increase the tension of the saw chain (2), turn the chain adjustment screw (8) clockwise using a suitable screwdriver.

- To reduce the tension of the saw chain (2), turn the chain adjustment screw (8) anti-clockwise using a suitable screwdriver.

The saw chain (2) tension is correct if it can be raised a maximum of 2 - 3 mm in the centre of the guide bar (1).

- Tighten the guide bar screws properly after you have adjusted the saw chain.

Notes

Allow a new saw chain (2) to run for approx. 5 minutes before actually sawing with it. Check the chain tension again after this time and adjust it if necessary.

When it is warm, the saw chain (2) will expand and may sag. This gives rise to the risk that the saw chain (2) will jump off the guide bar. Therefore you must adjust the tension of the chain (2) after it has carried out its first sawing work.

Since a saw chain (2) that has been tensioned when warm will contract as it cools and this would result in excessive chain tension, the chain tension must be reduced after you have finished the sawing work.

IMPORTANT – the tension of the chain (2) must be checked several times over the course of a working day. Always wear gloves for this work.

Since the guide bar (1) is subject to particularly high stress at the return point and at the interface, we recommend that the guide bar be turned each time you sharpen the chain so as to avoid it wearing on one side.

Fuel (B12)

Use only a mixture of unleaded regular petrol and special 2-stroke engine oil in a mixing ratio of 40:1.

Important: Do not use a different mixing ration and do not use pure petrol.

Do not use fuel if it is more than 2-3 months old. If you do not intend to use the machine for a lengthy period, empty the tank and refill it before

you start work again.
Mix petrol in a ratio of 40:1

- Add 4.0 litres of petrol to 100 ml of 2-stroke oil in a fuel tank and mix the two components by shaking the machine forcefully.

Fill the petrol tank

- Unscrew the petrol tank cover (13) slowly so that the pressure and petrol vapours can escape safely.

- Fill the tank with the 40:1 2-stroke mixture using a funnel and screw the petrol tank cover (13) back into place.

Chain lubrication (B13-B15)

The chainsaw is supplied without oil.

Unscrew the oil tank cover (12). Fill the oil tank with biologically degradable chain oil.

Never use recycled oil or used oil.

Ensure that no dirt gets into the oil tank.

The chainsaw must never be operated without oil.

If the chainsaw is operated without oil, the entire saw will suffer damage within a very short period of time.

Check the oil level and the chain lubrication system before every starting work.

Check the automatic function of the chain lubrication system by holding the running saw with the tip of the bar against a sheet of paper on the ground. Keep a safe distance! If an increasing oil mark can be seen on the paper, the automatic lubrication system is working correctly when the saw chain is running.

Always ensure that the oil discharge duct (20) is free of dirt at all times. If necessary clean it with

a thin object (such as a toothpick or matchstick).

Caution:

Do not try to adjust the oil flow of the oil pump. Because it has been adjusted in the optimal position before it left the factory.

Engine / Chain brake (B16)

This chainsaw is fitted with an engine/chain brake for your safety.

If the saw suffers recoil, the front hand guard (4) will strike against your hand and trip the chain brake. To restart the saw, pull the hand guard forcefully backwards towards the front handle. The chain will stop after a maximum of 0.1 second.

Carry out a function test from time to time. To do this, push the hand guard (4) forwards and switch on the saw briefly. The chain must not start to move. Release the guard. Pull the hand guard towards your body. The chain will start when the saw is switched on.

Machine instructions

Check the chainsaw at regular intervals for signs of damage.

Ensure that all the parts work correctly and properly.

Please note that all parts must be fitted correctly in order to function properly.

Have damaged parts repaired immediately in an after-sales workshop.

Start when the engine is cold (B17-B19)

- Place the petrol chainsaw safely on the ground.

- Move the control switch (18) upwards.

- Gently press primer button (23) often enough that no more bubbles are visible (approx. 5-6 times).

- Pull the choke lever (17) out as far as possible.

- Adopt a safe posture.

G B

- Hold the petrol chainsaw securely on the ground using your left hand.
- Place your right foot in the shaft of the rear handle (10).
- Pull the starter cable (11) out as far as possible 3 to 5 times.
- Choke level jumps back automatically when pressing the trigger.
- Pull the starter cable (11) several times quickly and forcefully right to the end of the cable until the engine starts.

Warm up the engine for 30 seconds. Tighten and release the trigger.

Stop the engine (B19)

- Allow the engine to slow down to idling speed without any throttle.
- Move the control switch (18) downwards to "STOP".

Start when the engine is warm

- The procedure is identical for starting when the engine is cold. However, in this case the choke lever (17) remains fully pushed in.

Working with the chainsaw

Wear gloves, ear protectors, protective clothing and a helmet with a visor.

Never saw above shoulder height.

Never saw with one hand.

Never saw on a ladder, in a tree or if you are not standing on firm footing.

Check the following before starting the engine:

- Is the saw chain tension correct ?
- Is the oil tank full?
- Is the chain brake released?
- Start the chainsaw.

Holding the saw (B20)

Hold the front handle (9) in your left hand and the rear handle (10) in your right hand.

Switch off the saw

Release the throttle lever (19).
Set the control switch (18) to <<STOP>>. Do not put down the chainsaw until the chain has stopped moving.

Carburettor adjustment

The carburettor has been set at the factory to provide the best possible performance. If you wish to improve the setting, contact an approved workshop.

Storage

Clean the saw chain (2) and guide bar (1) after every use.
Fit the chain guard (3).

Work instructions (B21-B27)

Obey all the safety regulations.

Never saw with a loose or blunt chain. Always pull the machine out of the wood whilst the chain is still moving.

When cutting fallen trees, please note that the trunk may be under tension.

Trunk under tension on the top. The tree may spring upwards.

Trunk under tension on the bottom. The tree may spring downwards.

Use a clamp (for example a saw stool) whenever possible.

Only use the saw for wood or wooden objects. Watch for foreign bodies such as nails or stones. If they come into contact with the moving saw chain they may be catapulted out and may also damage the saw chain.

When cutting wood, the claw stop (5) must be positioned firmly against the wood and when the saw is started it must move into the wood. Hold the saw using the front handle and pull the saw upwards using the rear handle. The claw stop can be used as a pivot point for this purpose. To reset the position of the claw, press gently on the front handle and pull the saw backwards slightly.

Now place the claw stop a little deeper and then pull the handle upwards again.

For longitudinal cuts, the chainsaw must be positioned at as flat an angle as possible. Since the claw stop cannot be used in this case, take special care with these cuts. Danger of recoil!

There is always a risk of recoil if the tip of the bar touches wood or other objects. This makes the chainsaw impossible to control and may lead to it being catapulted with great force towards the operator.

Whenever possible, always saw with the underside of the bar since if you saw with the top of the bar, the chainsaw will be catapulted towards the operator if the chain jams.

Support yourself on the trunk whenever possible when removing branches from a tree.

Special precautions for felling trees:

Felling trees is extremely dangerous and training is required for this work. If you are unfamiliar with this work, you should not attempt it. You must receive training first.

Never attempt to fell trees whose diameter is greater than the length of the guide bar.

A falling tree may also bring down other trees. Always use twice the tree length as a danger area (felling area). Take care also not to disturb power and telephone cables.

Before starting to fell a tree, you must plan and clear an escape route. The escape route must be in the opposite direction to the expected felling direction.

There must be no spectators, animals or obstacles in the felling area.

If the saw jams in the tree, never attempt to free it when the engine is running. Use wooden wedges to free the saw.

Taking into account the centre of gravity of the crown and the wind direction, calculate the felling direction first. Ensure that the chainsaw is running immediately before it comes into contact with the wood. Saw a notch in the tree (A) in the felling direction. This felling notch will guide the tree and determine the direction in which it falls. Check the felling direction again. In the event that you have to correct the felling direction, recut the notch to extend it to the full width of the trunk.

Shout "Timber".

Now saw the felling cut (B) on the side of the tree opposite the notch. Start this above the bottom of the notch.

Place wedges in the felling cut promptly. Leave a rupture strip (C). This acts as a hinge. If you saw through the rupture strip, the tree will fall out of control.

Never saw down trees, fell them using wedges.

Stand back when a tree falls. Check the crown area. Wait until the crown stops shaking.

Never fell trees if you can no longer see all the details in the felling area (because of rain, snow, fog or twilight).

Never fell trees if you cannot control the felling direction because of high winds.

Only fell trees if you have absolutely safe footing. Lying trees or branches may be under tension. Make a cut to relieve this tension first, and then the actual cut.

Caution: After operated the chain saw at full load for a long time, should let the engine run at no load for a while, until the cooling air takes away most of the heat. In this way, it will avoid much more heat collected and avoid causing the drive mechanism overheat. After sawing work. Need to slacken the saw chain if it is tensioned at working temperature. Because the saw chain will be shrunk during cooling and it will damage the crankshaft and the bearing if it is not slackened.

Servicing and care (B28-B30)

Saw chain

Saw chain and guide bar servicing
Adjust the tension of the saw chain (2) from time to time when necessary.

Turn the guide bar (1) after lengthy usage and when you change the saw chain (2). This will compensate the wear on the groove on the cutting side of the bar.

Sharpen the saw chain

The saw chain (2) should be serviced by a trained specialist.

Air filter

After a lengthy period of use, you should clean the air filter. Dust and pollen will block the pores of the air filter.

- Remove the air filter cover (16) and wash the air filter in mild soap suds. Important: Do not use petrol or solvents.

- Dry the filter before you use it again.

A damaged air filter must be replaced straight

away so as not to reduce the service life of the engine.

Use a damp cloth to clean the plastic parts. Do not use cleaning products, solvents or sharp objects.

Clear dust accumulations from the ventilation openings and moving parts at regular intervals using a soft brush.

After a lengthy period of use, remove the guide bar and chain and clean them with a brush.

Spark plug adjustment

At least once a year or if the engine does not start easily, check the electrode gap on the spark plug. The correct gap between the lug and the contact is 0.25"/0.63 mm.

- Wait until the engine is completely cold.

- Remove the air filter cover.

- Take the spark plug cap off the spark plug and unscrew the spark plug using a spark plug wrench.

- If the electrode has suered excessive wear or it is heavily encrusted, the spark plug must be replaced with an equivalent one. Heavy encrustation on the spark plug may be caused by too high an oil content in the fuel mixture, poor oil quality, the petrol mixture being too old or the air filter being blocked.

- Screw the spark plug fully into the thread by hand (do not cross the thread).

- Now tighten the spark plug using a spark plug wrench.

- If you use a torque wrench, the tightening torque is 12-15 Nm.

- Now attach the spark plug cap correctly to the spark plug.

Fit the air filter cover again.

Chain lubrication

the fuel can be checked through the sight glass on the fuel tank.

Important: please fill up the oil tank before refueling the fuel tank every time.

Technical data

Air-cooled 2-stroke engine SPS1E43F3

Displacement:	45,1 cm ³
Max. engine power:	1,8 kW
Fuel tank capacity:	500 cm ³
Oil tank capacity:	240 cm ³
Cutting length:	360 mm
Spark plug:	

L8RTF(NHSP LD); L8RTC (Torch); L8RTF(BOSCH)

Weight (Without guide bar and chain, empty tank):5,6 kg

Sound pressure level(L_{pa}): 102,78 dB(A), K=2,5 dB(A)

Sound power lever(L_{WA}): 110,07 dB(A), K=2,5 dB(A)

Vibration:

Max. front handle: 5.650 m/s², K=1.5 m/s²

Max. rear handle 6.027 m/s², K=1.5 m/s²

Length max. Bar: 16"

Chain pitch: 9,525 mm

Template chain: 1,27 mm (0,05")

Sprocket: 7 Teeth X 9,525 mm

Engine idling speed range:: 2700-3400 min⁻¹

Maximum speed: 11000 min⁻¹

Chain Type: Oregon 91P055X (for 16 ")

Guide Bar Type: Oregon 160SDEA095 (for 16 ")

The operating noise level may exceed 113 dB.

Repairs

Use only the accessory and spare parts recommended by the manufacturer. If the machine suffers a failure despite our quality controls and your care, have repair work carried out only by a trained electrician.

Environmental protection



Do not simply dispose of the machine, accessories and packaging in the dustbin, but ensure that it can be recycled. A small amount of effort on your part can do a great deal of good for our environment.

Residual risks

Even when properly used in the tool is always some residual risk that can not be excluded. From the nature and design of the tool, the following potential hazards can be derived :

- Contact with the unprotected chain (cuts);
 - Reaching into the running saw chain (cut injury);
 - Unexpected , sudden movement of the guide rail (cuts);
 - Ejection of parts of the chain;
 - Ejection of parts of the material to be cut;
 - Impairment of hearing , if there is no prescribed hearing protection is worn;
 - Inhalation of material to be cut;
 - Risk of kickback;
 - This device produces an electromagnetic field during operation ! This field can interfere with active or passive medical implants under certain circumstances!
- To reduce the risk of serious or fatal injury , we recommend persons with medical implants their physician and the manufacturer of the medical implant consulted before the instrument is used !

Problem	Possible cause	Remedy
The engine cuts out.	Incorrect carburettor setting	The carburetor can be adjusted by a professional. or please contact service center.
The engine starts but delivers very little power.	Incorrect choke lever setting	Set it to ↑
	Air filter dirty	Remove the air filter, clean it with soap suds, dry it and then fit it again.
	Incorrect carburettor setting	Have the carburettor adjusted by a specialist.
The engine does not start or starts but then cuts out again.	Incorrect starting procedure	Follow the instructions in "Start when the engine is cold"
	Incorrect carburettor setting	Have the carburettor adjusted by a specialist.
	Sooted spark plug	Clean the spark plug, correct the electrode gap or replace the spark plug.
The engine runs unevenly.	Incorrect electrode gap on the spark plug	Clean the spark plug, correct the electrode gap (ideally 0.25"/0.63 mm) or replace the spark plug.
	Burned spark plug	
Excessive smoke development.	Incorrect carburettor setting	Have the carburettor adjusted by a specialist. Empty the tank, and refill it with the correct mixture: 2-stroke, ratio 40:1
	Incorrect fuel mixture	

Sicherheitshinweise und Warnungen



Vor Inbetriebnahme
Gebrauchsanleitung lesen!



Während des Betriebs auf einen
Mindestabstand von 15 m zwischen
Maschine und anderen
Personen achten!



Zugelassenen Gehörschutz,
Kopfschutz und Schutzbrille
tragen!



Rutschfeste und widerstandsfähige
Schuhe tragen!



Gute und widerstandsfähige
Handschuhe tragen!



Gute und widerstandsfähige
Arbeitskleidung tragen!



Die entstehenden Abgase sind
giftig und wirken erstickend!



ACHTUNG Brandgefahr!
Benzin und Benzindämpfe sind
leicht entzündlich!



Das Gerät nicht bei Regen benutzen
oder dem Regen aussetzen.



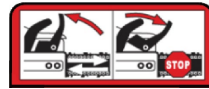
Schützen Sie sich vor Rückschlägen der
Kettensäge. Halten Sie die Kettensäge
während des Gebrauchs mit beiden
Händen gut fest



Halten Sie die Kettensäge mit
der rechten Hand am hinteren
Handgriff und mit der linken
Hand am vorderen Handgriff.



Gefahr von schweren
Verbrennungen bei
der Berührung des heißen
Auspuffs oder des Zylinders,
denn diese Teile stehen beim Betrieb des Motors unter
hohen Temperaturen. Auch nach dem Ausschalten des
Geräts sind diese Komponenten noch eine Zeit lang heiß.



Die Kettenbremse ist
ENTKUPPELT (Kette kann
sich bewegen), wenn der
BREMSHEBEL NACH HINTEN
GEZOGEN UND ARRETIERT IST. Die Kettenbremse ist
EINGEKUPPELT (Kette ist arretiert), wenn der Bremshebel
nach vorne gezogen ist. Die Kette sollte sich dann nicht
bewegen lassen.



Schallleistungspegel L_{WA} :
113 dB(A)



Primerknopf so oft leicht drücken, bis
keine Blasen mehr zu sehen sind (ca. 5-6 x).

D

Dieses Gerät entspricht den vorgeschriebenen Sicherheitsbestimmungen für Benzingeräte. Lesen Sie die Gebrauchsanleitung aufmerksam durch, bevor Sie das Gerät in Betrieb nehmen.

Ein unsachgemäßer Gebrauch kann zu Schäden an Personen und Sachen führen. Personen, die mit der Anleitung nicht vertraut sind, dürfen das Gerät nicht bedienen. Bewahren Sie die Gebrauchsanleitung sorgfältig auf.

Kindern und Jugendlichen ist die Benutzung des Gerätes nicht gestattet.

Bestimmungsgemäße Verwendung

Die Säge ist ausschließlich zum sägen von Holz, z.B. Holzstämmen, Ästen, Bretter usw. im privaten Bereich bestimmt. Die Säge ist nicht für gewerbliche oder ähnliche Einsatzzwecke geeignet. Bei nicht bestimmungsgemäßer Verwendung sowie bei Veränderungen an der Maschine übernimmt der Hersteller keinerlei Haftung.

Beachten Sie ebenso die Sicherheitshinweise, die Montage- und Bedienungsanleitung sowie darüber hinaus die allgemein geltenden Unfallverhütungsvorschriften.

Sicherheitshinweise

Die Benzin-Kettensäge darf in der Nähe von Personen oder Tieren weder gestartet noch benutzt werden.

Verwenden Sie das Gerät nicht wenn Sie müde oder unkonzentriert sind oder Ihre Reaktionsfähigkeit durch Genuss von Alkohol oder Medikamenten beeinträchtigt ist.

Unaufmerksamkeit kann zu ernsthaften Verletzungen führen.

Verwenden Sie eine zugelassene Schutzbrille.
Verwenden Sie einen zugelassenen Gehörschutz.
Verwenden Sie gute Schutzhandschuhe.
Verwenden Sie gute rutschfeste Arbeitsschuhe mit Sicherheitsstahlkappen. Arbeiten Sie mit dem Gerät niemals mit Sandalen oder gar Barfuß.
Tragen Sie bei Ausforstungsarbeiten unbedingt einen zugelassenen Schutzhelm und eventuell weitere länderspezifisch vorgeschriebene Schutzbekleidung.

Tragen Sie keine weite Kleidung oder Schmuck. Tragen Sie lange Hosen zum Schutz Ihrer Beine. Verwenden Sie bei langen Haaren eine Kopfbedeckung.

Lockere Kleidung, Schmuck und lange Haare können von sich bewegenden Teilen erfasst werden.

Tragen Sie geeignete feste, eng anliegende Arbeitskleidung.

Halten Sie Körperteile und Kleidungsstücke fern von der Kettensäge, wenn Sie den Motor anlassen oder laufen lassen.

Achten Sie beim Arbeiten auf einen festen und sicheren Stand. Vermeiden Sie es wegen der Stolpergefahr, mit dem Gerät rückwärts zu gehen.

Vermeiden Sie abnormale Körperhaltungen. Bei längerer Anwendung der Benzin-Kettensäge kann es zu einer vibrationsbedingten Durchblutungsstörung kommen (Weißfingerkrankheit). Angaben über die Dauer der Anwendung können in diesem Fall nicht gemacht werden, da dies von Person zu Person unterschiedlich sein kann. Folgende Faktoren können diese Erscheinung beeinflussen:

Durchblutungsstörungen der Hände des Bedieners, niedrige Außentemperaturen, lange Anwendungszeiten. Deshalb wird empfohlen warme Arbeitshandschuhe zu tragen und regelmäßige Arbeitspausen einzulegen.

Die Abgase von Explosionsmotoren sind giftig und können unter anderem zur Erstickung führen. Die Benzin-Kettensäge darf in geschlossenen oder schlecht belüfteten Räumen nicht in Betrieb genommen werden.

Befüllen Sie den Kraftstofftank nur im Freien oder in ausreichend belüfteten Bereichen.

Benzin und Benzindämpfe sind leicht entzündbar. Halten Sie es fern von entflammaren Materialien und Zündquellen wie z.B. Öfen oder Herde. Rauchen Sie nicht, während Sie das Gerät auftanken oder betätigen.

Trocknen Sie eventuell verschüttetes Benzin sofort auf. Starten Sie die Benzin-Kettensäge nur an einem von der Auftankstelle entfernten Ort.

Achten Sie darauf, dass der Deckel des Tankbehälters stets gut verschlossen ist. Achten Sie auf eventuelle Leckstellen.

Während der Motor läuft oder bei heißer Maschine darf der Tankverschluss nicht geöffnet oder Kraftstoff nachgefüllt werden.

Tankverschluss langsam öffnen damit Benzindämpfe entweichen können.

Achten Sie darauf, dass die Griffe trocken, sauber und frei von Benzingemisch sind.

Benutzen Sie das Gerät nicht ohne Auspuff und richtig installiertem Auspuffschutz.

Berühren Sie den Auspuff nicht. Gefahr von Verbrennungen.

Verwenden Sie nur den in der Anleitung empfohlenen Treibstoff.

Bewahren Sie Benzin nur in dafür vorgesehenen Behältern an einem sicheren Ort auf.

Schalten Sie das Gerät immer ab bevor Sie es abstellen.

Arbeiten Sie nur bei Tageslicht oder guter künstlicher Beleuchtung. Führen Sie vor jeder Benutzung eine Sichtprüfung des Gerätes durch.

Prüfen Sie, ob alle Schrauben und Verbindungsteile fest angezogen sind.

Halten Sie das Gerät stets mit beiden Händen fest.

Überprüfen Sie vor jedem Einsatz das Gerät und seine Komponenten und Schutzvorrichtungen auf Beschädigungen oder Verschleiß und lassen gegebenenfalls die notwendigen Reparaturen durchführen. Setzen Sie Schutz- und Sicherheitsvorrichtungen niemals außer Kraft. Benutzen Sie das Gerät nicht wenn Beschädigungen oder Abnutzungserscheinungen zu Tage treten sollten.

Halten Sie die Werkzeuge sauber und funktionstüchtig, um besser und sicherer arbeiten zu können.

Halten Sie das Gerät beim Arbeiten immer in ausreichendem Abstand zum Körper.

Bei Arbeitsunterbrechungen und Standortwechsel Gerät immer ausschalten, Stillstand der Kettensäge abwarten und Motor abstellen.

Gerät nie unbeaufsichtigt am Arbeitsplatz liegen lassen. Lagern Sie das Gerät bei Arbeitsunterbrechungen an einem sicheren Ort. An der Maschine tätige Personen dürfen nicht abgelenkt werden. Sie können dadurch die Kontrolle über das Werkzeug verlieren.

Verwenden Sie das Gerät niemals bei Regen, in feuchter oder nasser Umgebung und lagern Sie es nicht im Freien.

Sollte das Gerät nass werden, warten Sie bis es vollständig getrocknet ist bevor Sie es wieder benutzen.

Überlasten Sie die Maschine nicht und führen Sie keine Arbeiten aus, für die das Gerät nicht vorgesehen ist.

Achten Sie darauf, dass die Belüftungsöffnungen immer frei von Verschmutzungen sind.

Bewahren Sie das Gerät außerhalb der Reichweite von Kindern auf.

Bewahren Sie das Gerät an einem sicheren und trockenen Ort auf.

Nach Aufprall oder sonstigen Beschädigungen, prüfen Sie die Maschine auf Beschädigungen. Benutzen Sie nur vom Hersteller empfohlenes Zubehör.

Lassen Sie Ihr Gerät nur von qualifiziertem Fachpersonal und nur mit Original-Ersatzteilen reparieren. Damit wird sichergestellt, dass die Sicherheit des Geräts erhalten bleibt.

Benutzen Sie die Kettensäge nicht in der Nähe von brennbaren Flüssigkeiten oder Gasen und nasser oder feuchter Umgebung.

D

Bei Nichtbeachten besteht Brand- oder Explosionsgefahr.

Lassen Sie das Gerät nicht unbeaufsichtigt laufen.

Unaufmerksamkeit kann zu ernsthaften Verletzungen führen.

Arbeiten sie ausschließlich bei passenden Lichtverhältnissen.

Sie tragen die Verantwortung für die Sicherheit in Ihrem Arbeitsbereich.

Halten Sie die Werkzeuge sauber und funktionstüchtig, um besser und sicherer arbeiten zu können.

Halten Sie das Gerät beim Arbeiten immer in ausreichendem Abstand zum Körper. Gerät nie unbeaufsichtigt am Arbeitsplatz liegen lassen. Lagern Sie das Gerät bei Arbeitsunterbrechungen an einem sicheren Ort. Bei Arbeitsplatzwechsel Gerät unbedingt ausschalten.

An der Maschine tätige Personen dürfen nicht abgelenkt werden.

Sie können dadurch die Kontrolle über das Werkzeug verlieren.

Gerät vor Regen und Feuchtigkeit schützen. Bei laufendem Motor die Säge stets mit beiden Händen festhalten.

Die Krallen bei jedem Schnitt als Ansatzpunkt benutzen, immer mit laufender Sägekette den Schnitt beginnen.

Führen Sie den Schnitt so, dass die Säge nicht im Holz stecken bleibt.

Achten Sie besonders auf unter Spannung stehende Äste.

Gerät nur mit laufender Sägekette aus dem Holz ziehen.

Nie über Schulterhöhe oder mit einer Hand sägen.

Bei schrägem Untergrund stets zum Hang hin stehen.

Bei fallenden Bäumen immer seitwärts davon aufhalten.

Achten Sie immer auf die Fallrichtung der abgetrennten Teile.

Setzen Sie nie mit der Schienenspitze zum Schnitt an und sägen Sie nie mit der Schienenspitze – Rückschlaggefahr!

Rückschlaggefahr besteht immer wenn die Schienenspitze Holz oder andere Gegenstände berührt. Die Kettensäge wird dadurch unkontrollierbar und kann mit großer Wucht in Richtung Bediener gestoßen werden.

Immer nur einen Ast auf einmal durchsägen. Achten Sie beim Ablängen auf danebenliegende Stämme.

Das Gerät nicht als Hebel zum Bewegen von Gegenständen benutzen.

Beim Transport immer den Kettenschutz verwenden.

Vor der Inbetriebnahme

Überprüfen Sie Gerät und Kette auf einwandfreie Funktion und betriebs sicheren Zustand. Kontrollieren Sie die Funktion der Kettenschmierung und den Ölstand. Prüfen Sie die Kettenspannung und die Funktion der Kettenbremse.

Gerätekomponenten (B1-B2)

1. Führungsschiene
2. Sägekette
3. Kettenschutz
4. Kettenbremse/Handschutz
5. Krallenanschlag
6. Kettenradabdeckung
7. Führungsschienenbolzen-/schrauben
8. Kettenjustierschraube
9. vorderer Handgriff
10. hinterer Handgriff
11. Anlasserseil
12. Öltankdeckel
13. Benzintankdeckel
14. Sicherheitsauslöser
15. Zündkerzenschlüssel
16. Luftfilterabdeckung
17. Chokehebel
18. Betriebsschalter
19. Gashebel
20. Ölauslaufkanal
21. Treibstoff-Mischkanister
22. Schraubendreher
23. Primerknopf

Montage (B3-B4)

Sägekette und die Ketten-Führungsschiene werden im nicht montierten Zustand geliefert.

Zum Schutz vor Verletzungen tragen Sie bei Montage der Sägekette, beim Kettenspannen und bei der anschließenden Prüfung der Kettenspannung Handschuhe.

Montage Führungsschiene

- Entkuppeln Sie als erstes die Kettenbremse. Ziehen Sie dazu den Handschutz (4) in Richtung vorderen Handgriff.

- Entfernen Sie die Kettenradabdeckung (6) durch Öffnen der beiden Führungsschienen-schrauben (7).

- Montieren Sie den Krallenanschlag (5) wie im Bild (B31) gezeigt. Der Krallenanschlag kann mit Hilfe des Zündkerzenschlüssels (15) befestigt werden.

- Setzen Sie die Führungsschiene (1) mit dem gekerbten Ende auf die zwei Führungsschienenbolzen (7).

Montage Sägekette (B5-B9)

- Legen Sie die Kette (2) in einer Schlaufe aus. Achten Sie darauf, dass die Schnittkrallen im Uhrzeigersinn ausgerichtet sind.

- Schieben Sie die Kette (2) über die Kupplung auf das Kettenrad der Motorsäge. Achten Sie darauf, dass die Glieder der Kette exakt zwischen den Zähnen des Kettenrades liegen.

- Legen Sie nun die Kette (2) über die Schienen Spitze. Achten Sie darauf, dass die Glieder der Kette (2) in der Nut der Führungsschiene liegen. Die Sägekette hängt zu diesem Zeitpunkt im unteren Bereich der Führungsschiene nach unten.

- Bringen Sie nun die Kettenradabdeckung (6) wieder an. Achten Sie darauf, dass die Kettenjustierangel in das Loch der Führungsschiene greift (B8). Nur so lässt sich die Kettenradabdeckung (6) ordnungsgemäß montieren.

Achtung! Die Kette (2) darf nicht von der Führungsschiene (1) rutschen.

Die Kettenglieder müssen genau zwischen den Zähnen des Kettenrades angeordnet sein.

- Bringen Sie nun die zwei Führungsschienen-schrauben (7) wieder an. Drehen Sie diese aber in diesem Schritt nur handfest.

Spannen der Sägekette (B10-B11)

Achten Sie darauf, dass die Führungsschienen-schrauben (7) zum Justieren der Sägekette (2) nur handfest angezogen sein dürfen. Lockern Sie diese gegebenenfalls.

- Um die Sägekette (2) zu spannen, drehen Sie mit einem passenden Schraubenzieher die Kettenjustierschraube (8) im Uhrzeigersinn.

D

- Um die Sägekette (2) zu entspannen, drehen Sie mit einem passenden Schraubenzieher die Kettenjustierschraube (8) gegen den Uhrzeigersinn.

Die Sägekette (2) ist richtig gespannt, wenn sie sich in der Mitte der Führungsschiene (1) maximal 2 - 3 mm anheben lässt.

- Ziehen Sie nach Justage der Sägekette die Führungsschienenschrauben fest an.

Hinweise

Lassen Sie eine neue Sägekette (2) vor den ersten Sägearbeiten ca. 5 Minuten einlaufen. Nach dem Einlaufen ist die Kettenspannung erneut zu prüfen und gegebenenfalls nachzujustieren. Die Sägekette (2) dehnt sich im erwärmten Zustand aus und kann durchhängen. Dadurch besteht die Gefahr, dass die Sägekette (2) abspringen kann. Spannen Sie deshalb nach den ersten Sägearbeiten die Kette (2) nach.

Da eine im warmen Zustand gespannte Sägekette (2) sich beim Abkühlen zusammenzieht und eine zu hohe Kettenspannung verursachen würde, muss diese nach Beenden der Sägearbeiten unbedingt wieder entspannt werden.

ACHTUNG - Die Spannung der Kette (2) ist im Laufe des Arbeitstages mehrmals zu überprüfen. Tragen Sie dabei stets Schutzhandschuhe.

Da die Führungsschiene (1) an der Umlenkung und an der Schnittseite einer besonders hohen Beanspruchung ausgesetzt ist, empfiehlt es sich, um eine einseitige Abnutzung zu vermeiden, die Führungsschiene nach jedem Kettenschärfen zu wenden.

Treibstoff (B12)

Verwenden Sie nur ein Gemisch aus bleifreiem Normal- oder Superbenzin und Spezial-2-Takt-Motoröl im Mischungsverhältnis 40:1. Die Säge ist auch für

Biobenzin oder Alkylatbenzin (wie zum Beispiel Aspen) geeignet.

Achtung: Verwenden Sie kein anderes Mischungsverhältnis und kein reines Benzin. Verwenden Sie keinen Treibstoff der älter als 2-3 Monate ist.

Bei längeren Arbeitspausen Tank entleeren und vor Arbeitsbeginn neu befüllen. Benzin Mischen 40:1
Ein Mischungsverhältnis von 40:1 erreichen Sie, indem Sie in einen mit 4 Liter Benzin gefüllten Benzintank 100ml Zweitaktöl durch kräftiges Rühren oder Schütteln beimischen.

Benzin einfüllen

- Schrauben Sie den Benzintankdeckel (13) des Tanks langsam auf, damit Druck und Benzindämpfe ungefährlich entweichen können.
- Füllen Sie die 2-Takt-Mischung 40:1 mit einem Trichter ein und schrauben den Benzintankdeckel (13) wieder fest zu.

Kettenschmierung (B13-B15)

Die Kettensäge wird ohne Kettenöl ausgeliefert. Öltankdeckel (12) aufschrauben. Öltank mit biologisch abbaubarem Kettenöl auffüllen und anschließend Öltankdeckel wieder verschließen. Niemals recyceltes Öl oder Altöl verwenden. Achten Sie darauf, dass kein Schmutz in den Öltank gelangt.

Wird die Kettensäge ohne Öl betrieben wird die gesamte Sägegarnitur innhalb kürzester Zeit beschädigt.

Kontrollieren Sie vor jedem Arbeitsbeginn den Ölstand und die Kettenschmierung.

Prüfen Sie die automatische Funktion der Kettenschmierung, indem Sie die eingeschaltete Säge mit der Spitze des Schwertes gegen ein auf dem Boden liegendes Papier halten.

Genügend Abstand halten! Zeigt sich auf dem Papier eine zunehmende Ölspur, funktioniert die Ölautomatik wenn die Kettensäge in Betrieb ist.

Achten Sie immer darauf, dass der Ölauslaufkanal (20) immer frei von Verunreinigungen ist. Reinigen Sie ihn bei Bedarf mit einem dünnen Gegenstand (z.B. Zahnstocher, Streichholz).

Vorsicht:

Der Ölfluss der Ölpumpe wird im Werk auf die optimale Fördermenge eingestellt. Die Ölpumpe muss nicht eingestellt werden.

Motor/Kettenbremse (B16)

Diese Kettensäge ist zu Ihrer Sicherheit mit einer Kettenbremse ausgestattet.

Bei zurückschlagender Säge schlägt der vordere Handschutz (4) gegen die Hand und löst den Kettenstopp aus. Zur Wiederinbetriebnahme der Säge Handschutz (4) kräftig nach hinten zum vorderen Handgriff ziehen.

Die Kette stoppt nach längstens 0,12 Sekunden. Von Zeit zu Zeit Funktionstest ausführen. Hierzu vorderen Handschutz (4) nach vorne klappen und Säge kurz einschalten. Die Kette darf nicht anlaufen. Handschutz zum Körper ziehen. Kette läuft beim Einschalten.

Gerätehinweise

Kontrollieren Sie Ihre Kettensäge regelmäßig auf Beschädigungen.

Achten Sie auf eine einwandfreie und bestimmungsgemäße Funktion aller Teile. Achten Sie darauf, dass alle Teile bestimmungsgemäß montiert sein müssen um eine einwandfreie Funktion zu gewährleisten.

Lassen Sie beschädigte Teile umgehend in einer Kundendienstwerkstatt reparieren.

Start bei kaltem Motor (B17-B19)

D

- Legen Sie die Benzin-Kettensäge sicher auf den Boden.

- Schieben Sie den Betriebsschalter (18) am Bediengriff nach oben.

- Primerknopf (23) so oft leicht drücken, bis keine Blasen mehr zu sehen sind (ca. 5-6 x).

- Ziehen Sie den Chokehebel (17) ganz nach aussen.

- Nehmen Sie eine sichere Haltung ein.

- Halten Sie die Benzin-Kettensäge mit der linken Hand fest auf den Boden gedrückt.

- Steigen Sie mit dem rechten Fuß in den Schaft des hinteren Handgriffes (10) (B18).

- Ziehen Sie das Anlasserseil (11) 3 bis 5 mal vollständig durch.

- Chokehebel wird automatisch zurückgehen, wenn Sie den Schalter drücken.

- Ziehen Sie die Anlasserschnur (11) mehrmals zügig und kräftig bis zum Schnurende durch bis der Motor anspringt.

Nach dem Start des Motors, lassen Sie die Anlasserschnur los und den Motor vor den Sägearbeiten für 30 Sekunden warmlaufen.

Motor abstellen (B19)

- Lassen Sie ohne Gas den Motor in den Leerlauf zurückkehren.

- Bewegen Sie den Betriebsschalter (18) nach unten auf "STOP".

Start bei warmen Motor

- Entspricht dem Vorgang wie beim kalten Motor. Chokehebel (17) bleibt hier ganz eingeschoben.

Arbeiten mit der Kettensäge Tragen Sie Handschuhe,

D

Gehörschutz,
Schutzkleidung und Helm mit Gesichtsschutz!
Niemals über Schulterhöhe sägen!
Niemals mit einer Hand sägen!
Niemals auf einer Leiter, im Baum oder einem unsicheren Standort sägen!
Vor Inbetriebnahme prüfen:

- Korrekte Spannung der Sägekette.
- Ist der Öltank gefüllt.
- Ist die Kettenbremse gelöst.
- Kettensäge Starten.

Säge führen (B20)

Umfassen Sie mit der linken Hand den vorderen Handgriff (9), mit der rechten Hand den hinteren Handgriff (10).

Säge ausschalten

Lassen Sie den Gashebel (19) los. Stellen Sie den Betriebsschalter (18) auf <<STOP>>. Die Kettensäge darf erst nach dem Stillstand der Kette abgelegt werden.

Vergasereinstellung

Werkseitig wurde der Vergaser auf optimale Leistung eingestellt. Sollte eine verbesserte Einstellung notwendig sein, wenden Sie sich bitte an eine Fachwerkstatt.

Aufbewahrung

Säubern Sie nach jeder Arbeit die Sägekette (2) und Führungsschiene (1).
Bringen Sie den Kettenschutz an (3).

Arbeitshinweise (B21-B27)

Alle Sicherheitsvorschriften sind zu beachten.
Sägen Sie niemals mit loser oder stumpfer Kette.
Kettensäge immer mit laufender Sägekette aus dem Schnittgut ziehen.

Achten Sie beim Scheiden von gefallenen Bäumen darauf, dass der Stamm unter Spannung

stehen könnte.

Stamm auf Oberseite in Spannung. Baum kann nach oben schlagen.

Stamm auf Unterseite in Spannung. Baum kann nach unten schlagen.

Benutzen Sie wenn möglich, immer eine Spannvorrichtung (z.B. Sägebock).

Sägen Sie nur Holz oder hölzerne Gegenstände. Achten Sie auf Fremdkörper wie Nägel oder Steine. Diese können bei Berührung des laufenden Sägeblattes weggeschleudert werden. und die Sägekette beschädigen.

Beim Ablängen von Holz muss der Krallenanschlag (5) fest am Holz angesetzt werden.

Mit laufender Säge in das Holz eintauchen. Dabei führen Sie die Säge mit dem vorderen Handgriff und mit dem hinteren Handgriff ziehen Sie die Säge nach oben. Der Krallenanschlag dient Ihnen dabei als Drehpunkt. Zum Nachsetzen drücken Sie leicht auf den vorderen Handgriff und ziehen dabei die Säge etwas zurück. Setzen Sie nun den Krallenanschlag etwas tiefer und ziehen erneut den Handgriff nach oben.

Bei Längsschnitten muss die Kettensäge in einem möglichst flachen Winkel angesetzt werden. Da hier der Krallenanschlag nicht verwendet werden kann ist hierbei mit besonderer Vorsicht vorzugehen. Rückschlaggefahr!

Rückschlaggefahr besteht immer wenn die Schienenspitze Holz oder ander Gegenstände berührt. Die Kettensäge wird dadurch unkontrollierbar und kann mit großer Wucht in Richtung Bediener gestoßen werden.

Sägen Sie nach Möglichkeit, immer mit der Schienenunterseite, da beim Schneiden mit der Schienenoberseite, beim Verklemmen der Sägekette, die Kettensäge in Richtung des Bedieners gestoßen wird.

Stützen Sie beim Entasten die Kettensäge möglichst immer am Stamm ab.

Besondere Vorsichtsmaßnahmen beim Fällen von Bäumen:

Dass Fällen von Bäumen ist äußerst gefährlich und muss gelernt sein. Falls Sie in dieser Tätigkeit ungeübt sein sollten, sollten Sie dies nicht machen. Besuchen Sie vorher einen Lehrgang. Fällen Sie niemals Bäume deren Durchmesser größer als die Länge der Führungsschiene ist. Ein fallender Baum kann andere Bäume mitreißen.

Immer die doppelte Baumlänge als Gefahrenbereich (Fällbereich) planen. Achten Sie überdies hinaus auf Strom- und Telefonleitungen.

Sie müssen vor dem Schneiden einen Fluchtbereich planen und freiräumen. Der Fluchtbereich muss in die entgegengesetzte Richtung der erwarteten Fällrichtung verlaufen.

Es dürfen sich keine Zuschauer, Tiere oder Hindernisse im Fällbereich befinden. Im Falle des Verklemmens der Säge im Baum, die Säge niemals mit laufendem Motor versuchen freizubekommen. Verwenden Sie Holzkeile um die Säge freizubekommen.

Berechnen Sie zuerst, unter Berücksichtigung des Kronenschwerpunktes und der Windrichtung, die Fällrichtung. Achten Sie darauf das die Kettensäge unmittelbar vor Berührung des Holzes laufen muss. Sägen sie in der Fällrichtung eine Einkerbung in den Baum (A). Diese Fallkerbe gibt dem Baum die Führung und die Richtung vor (B24 und B25). Überprüfen Sie die Fällrichtung nochmals. Für den Fall das Sie die Fällrichtung korrigieren müssen, schneiden Sie die Fallkerbe stets auf ganzer Breite nach.

Rufen Sie „Achtung, Baum fällt“

Führen Sie nun auf der gegenüberliegenden Seite der Fallkerbe den Fällschnitt (B) durch. Dieser wird höher als die Fallkerbsohle angelegt.

Setzen Sie rechtzeitig Keile in den Fällschnitt. Belassen Sie eine Bruchleiste (C). Diese wirkt wie ein Schanier. Wenn Sie die Bruchleiste durchsägen fällt der Baum unkontrolliert.

Baum niemals umsägen, sondern umkeilen.

Beim Fallen des Baum zurücktreten. Beobachten Sie den Kronenraum. Warten Sie das Ausschwingen der Krone ab.

Fällen Sie niemals Bäume, wenn Sie Einzelheiten im Fällbereich nicht mehr erkennen können. (Regen, Schnee, Nebel oder Dämmerung).

Fällen Sie niemals Bäume, wenn wegen starkem Wind die Fällrichtung nicht eingehalten werden kann. Fällen Sie Bäume nur wenn Sie absolut sicheren Stand haben.

Liegende Bäume oder Äste können unter Spannung stehen. Machen Sie zuerst einen Entlastungsschnitt und anschließend einen Trennschnitt. (B26) dann Trennschnitt.

Achtung: Nach langen Sägearbeiten unter Volllast, den Motor im Leerlauf abkühlen lassen damit die Abwärme durch die Motorkühlung abgeleitet werden kann. Damit werden Schäden durch Überhitzung am Antriebsmechanismus vermieden. Nach dem Sägen die Sägekette lockern damit die sich abkühlende und kürzer werdende Sägekette die Kurbelwelle und das Antriebslager nicht beschädigt.

Wartung und Pflege (B28-B30)

Sägekette

Sägekette und Führungsschiene warten
Sägekette (2) von Zeit zu Zeit bei Bedarf nachspannen.

Führungsschiene (1) nach längerem Gebrauch und beim Wechseln der Sägekette (2) wenden. Damit gleichen Sie die Abnutzung der Nut auf der Schnittseite des Schwertes aus.

D

Schärfen der Sägekette

Die Sägekette (2) sollten Sie von einem Fachbetrieb schärfen lassen.

Luftfilter

Nach längerem Arbeiten sollten Sie den Luftfilter reinigen. Staub und Pollen verstopfen die Poren des Schaumstofffilters.

- Nehmen Sie die Luftfilterabdeckung (16) ab und waschen Sie den Luftfilter in leichtem Seifenwasser aus.

Achtung: Kein Benzin oder Lösungsmittel verwenden.

- Trocknen Sie den Filter bevor Sie ihn wieder einsetzen.

Um die Lebensdauer des Motors nicht zu verkürzen muss ein beschädigter Luftfilter sofort ersetzt werden. Benutzen Sie zur Reinigung der Kunststoffteile einen feuchten Lappen. Keine Reinigungsmittel, Lösungsmittel oder spitze Gegenstände verwenden.

Befreien Sie die Belüftungsöffnungen und bewegliche Teile regelmäßig von festsitzendem Staub mit einer weichen Bürste oder Pinsel. Nach längerem Arbeiten Führungsschiene und Kette demontieren und mit einer Bürste oder Pinsel reinigen.

Zündkerzeneinstellung

Mindestens einmal im Jahr oder bei regelmäßigem schlechtem Starten überprüfen Sie den Elektrodenabstand der Zündkerze. Der korrekte Abstand zwischen Zündfahne und Zündkontakt ist 0,25"/0,63 mm.
- Warten Sie bis der Motor vollständig ausgekühlt ist.

- Nehmen Sie die Luftfilterabdeckung ab.

- Ziehen Sie die Zündkerzenkappe von der Zündkerze und drehen die Zündkerze mit einem Zündkerzenschlüssel heraus.

- Bei übermäßigem Verschleiß der Elektrode oder bei sehr starker Verkrustung muss die Zündkerze mit einer gleichwertigen ersetzt werden. Starke

Verkrustung an der Zündkerze kann bedingt sein durch: Zu hoher Ölanteil im Benzingemisch, schlechte Ölqualität, überaltertes Benzingemisch oder verstopfter Luftfilter.

- Drehen Sie die Zündkerze mit der Hand komplett ins Gewinde. (Vermeidung von Verkantung)

- Ziehen Sie die Zündkerze mit einem

Zündkerzenschlüssel nun fest.

- Bei Verwendung eines Drehmomentschlüssels beträgt der Anzugsdrehmoment 12-15 Nm.

- Stecken Sie den Zündkerzenstecker korrekt auf die Kerze auf.

- Bringen Sie die Luftfilterabdeckung wieder an.

Kettenschmierung und Kraftstoff

Der Kraftstofftank ist mit einem Schauglas ausgestattet, an dem der Füllstand kontrolliert werden kann.(B30)

Wichtig: Der Öltank für die Kettenschmierung sollte vor dem Bedanken des Kraftstoffes befüllt werden.

Technische Daten

Luftgekühlter 2-Takt-Motor SPS1E43F3

Hubraum: 45,1 cm³

Max. Motorleistung: 1,8 kW

Tankvolumen: 500 cm³

Füllmenge Kettenöl: 240 cm³

Schnittlänge: 360 mm

Zündkerze:

L8RTF(NHSP LD); L8RTC (Torch); L8RTF(BOSCH)

Gewicht (Ohne Führungsschiene und Kette, leerem Tank): 5,6 kg

Schalldruckpegel: 102,78 dB(A), k=2,5dB(A)

Schallleistungspegel: 110,07 dB(A), k=2,5 dB(A)

Vibrationspegel (Max.) (nach ISO 22867):

Vibration - Handgriff (vorn) :

5.650 m/s², K= 1.5m/s²

Vibration - Handgriff (hinten) :

6.027 m/s², K= 1.5m/s²

Maximale Länge der Führungsschiene:	16"
Kettenabstand:	9,525 mm
Kettenstärke:	1,27 mm (0,05")
Antriebszahnrad*Pitch:	7 Zähne*9,525 mm
Leerlaufdrehzahl:	2700-3400 min ⁻¹
Maximaldrehzahl:	11000 min ⁻¹
Säge-Kettentyp:	Oregon 91P055X (for 16 ")
Führungsschienentyp:	Oregon 160SDEA095 (for 16 ")

- Rückschlaggefahr
- Dieses Gerät erzeugt während des Betriebs ein elektromagnetisches Feld! Dieses Feld kann unter bestimmten Umständen aktive oder passive medizinische Implantate beeinträchtigen!
- Um die Gefahr von ernsthaften oder tödlichen Verletzungen zu verringern, empfehlen wir Personen mit medizinischen Implantaten ihren Arzt und den Hersteller vom medizinischen Implantat zu konsultieren, bevor das Gerät bedient wird!

Das Arbeitsgeräusch kann 113 dB überschreiten.

Reparaturen



Verwenden Sie nur vom Hersteller empfohlene Zubehör- und Ersatzteile. Sollte das Gerät trotz unserer Qualitätskontrollen und Ihrer Pflege einmal ausfallen, lassen Sie Reparaturen nur von einem autorisierten

Elektro-Fachmann ausführen.

Umweltschutz

Entsorgen Sie Gerät, Zubehör und Verpackung nicht einfach in den Mülleimer, sondern führen Sie es einer umweltgerechten Wiederverwertung zu. Dieser kleine Aufwand kommt unserer Umwelt zugute.

Restrisiken

Auch bei sachgemäßer Verwendung des Werkzeugs bleibt immer ein gewisses Restrisiko, das nicht ausgeschlossen werden kann. Aus der Art und Konstruktion des Werkzeugs können die folgenden potentiellen Gefährdungen abgeleitet werden:

- Kontakt mit der ungeschützten Sägekette (Schnittverletzungen)
- Hineingreifen in die laufende Sägekette (Schnittverletzung)
- Unvorhergesehene, plötzliche Bewegung der Führungsschiene (Schnittverletzungen)
- Wegschleudern von Teilen der Sägekette
- Wegschleudern von Teilen des Schnittgutes
- Schädigung des Gehöres, wenn kein vorgeschriebener Gehörschutz getragen wird
- Einatmen von Schnittgut

D

Störung	Mögliche Ursache	Fehlerbehebung
Der Motor stockt.	Falsche Vergasereinstellung	Den Vergaser von einem Fachmann einstellen lassen. oder zu einem Service Center bringen.
Das Gerät springt an, aber der Motor hat wenig Leistung.	Falsche Einstellung des Choke-Hebels Luftfilter verschmutzt Falsche Vergaser-Einstellung	Stellen Sie den Chokehebel in Stellung ↓ Schaumstofffilter entfernen, mit Seifenwasser reinigen und trocken wieder einsetzen. Den Vergaser vom einem Fachmann einstellen lassen.
Das Gerät springt nicht an oder springt an, aber läuft nicht.	Fehlerhaftes Vorgehen beim Anlassen Falsche Vergaser-Einstellung Verrußte Zündkerze	Folgen Sie den Anweisungen „Start bei kaltem Motor“. Den Vergaser von einem Fachmann einstellen lassen. Zündkerze reinigen, den Elektrodenabstand korrigieren oder Zündkerze ersetzen.
Der Motor läuft unregelmäßig.	Falscher Elektrodenabstand an Zündkerze Abgebrannte Zündkerze	Zündkerze reinigen, den Elektrodenabstand korrigieren, ideal 0,25"/0,63mm, oder Zündkerze ersetzen.
Übermäßige Rauchentwicklung.	Falsche Vergaser-Einstellung Falsche Treibstoffmischung	Den Vergaser von einem Fachmann einstellen lassen. Tank entleeren, richtige Mischung einfüllen: 2-Takt-Mischung 40:1.

Recommandations en matière de sécurité et avertissements



Avant la mise en service, Lire le mode d'emploi !



Pendant le travail, veiller à respecter une distance minimale de 15 m entre la machine et d'autres personnes !



Porter une protection acoustique homologuée, une protection de la tête et des lunettes de protection!



Porter des chaussures antidérapantes et résistantes.



Porter de bons gants résistants.



Porter de bons vêtements de travail résistants.



Les gaz brûlés sont toxiques et provoquent un étouffement.



ATTENTION Risque d'incendie !
L'essence et les vapeurs d'essence sont facilement inflammables !



N'utilisez pas votre machine dans un environnement humide pour ne pas vous exposer à un risque d'électrocution.



Risque de rebond!



Tenez la scie à chaîne avec la main droite sur la poignée arrière et la main gauche sur la poignée avant.



ATTENTION
Gaz d'échappement à haute température. Ne touchez pas.



Le frein de chaîne est désengagé (chaîne peut se déplacer) quand LEVIER DE FREIN est tiré en arrière et

verrouillé.

Le frein de chaîne est enclenché (chaîne est arrêtée) lorsque le levier de frein est en position avant. Vous ne devriez pas être en mesure de déplacer la chaîne.



Niveau de puissance acoustique garantie: 113 dB(A)



Appuyer légèrement à plusieurs reprises sur la bouton primaire jusqu'à disparition de toutes les bulles (env. 5-6 x).



Cet appareil répond aux prescriptions de sécurité en vigueur pour les appareils électriques.

F

Lisez attentivement le mode d'emploi avant de mettre l'appareil en service. Une utilisation non conforme peut entraîner des dommages corporels et matériels. Les personnes qui ne sont pas familiarisées avec le mode d'emploi ne doivent pas utiliser l'appareil.

Conservez soigneusement le mode d'emploi. Les enfants et adolescents ne doivent pas utiliser l'appareil.

Utilisation conforme

Exclusivement pour scier du bois, par ex. des troncs, branches, planches, etc.

En cas d'utilisation non conforme ainsi que de modifications apportées sur la machine, le fabricant refuse toute responsabilité.

Respectez également les recommandations en matière de sécurité, les instructions de montage et le mode d'emploi, ainsi que les prescriptions en vigueur en matière de prévention des accidents.

Recommandations en matière de sécurité

La tronçonneuse thermique ne doit être ni démarrée ni utilisée à proximité de personnes ou d'animaux.

N'utilisez pas l'appareil si vous êtes fatigué ou pas concentré ou si votre capacité de réaction est restreinte en raison d'ingestion d'alcool ou de médicaments.

L'inattention peut entraîner des blessures sérieuses.

Utilisez des lunettes de protection homologuées.
Utilisez une protection acoustique homologuée.
Utilisez de bons gants de protection.
Utilisez de bonnes chaussures antidérapantes avec des capuchons de sécurité.

Ne travaillez jamais avec l'appareil en sandales ou même pieds nus.

En cas de travaux de débroussaillage, portez impérativement un casque de protection homologué.

Ne portez pas de vêtements larges ni de bijoux. Portez un pantalon long pour protéger vos jambes.

En cas de cheveux longs, portez un couvre-chef. Des vêtements lâches, bijoux et cheveux longs peuvent être happés par des pièces en mouvement.

Portez des vêtements de travail solides, près du corps.

Eloignez les membres et vêtements de la chaîne à scie lorsque vous démarrez le moteur ou lorsque vous l'utilisez.

Lors du travail, veillez à une position stable et sûre. En raison du risque de chute, évitez de marcher en arrière avec l'appareil. Évitez une position anormale du corps.

L'utilisation prolongée de la tronçonneuse thermique peut provoquer un problème de circulation sanguine due aux vibrations (maladie des doigts blancs). Dans ce cas, des indications concernant la durée d'utilisation ne peuvent pas être données, car ceci diffère d'une personne à l'autre. Les facteurs suivants peuvent influencer ce phénomène : Troubles de circulation des mains de l'utilisateur, températures extérieurs basses, longues durées d'utilisation. C'est pourquoi il est recommandé de porter des gants de travail chauds et de faire des pauses régulières. Les gaz brûlés de moteurs à explosion sont toxiques et peuvent, entre autres, provoquer des étouffements. La tronçonneuse thermique ne doit pas être mise en service dans des locaux fermés ou mal aérés.

Remplissez le réservoir de carburant uniquement à l'extérieur ou dans des zones suffisamment aérées.

L'essence et les vapeurs d'essence sont facilement inflammables.

Éloignez-la de matériaux inflammables et de sources d'inflammation telles que les radiateurs ou fours. Ne fumez pas lorsque vous faites le plein de l'appareil ou lorsque vous l'utilisez.

Spongez immédiatement de l'essence écoulée éventuellement.

Démarrez la tronçonneuse thermique uniquement à un endroit éloigné de celui du remplissage du réservoir.

Veillez à ce que le couvercle du réservoir soit toujours bien fermé. Veillez à des fuites éventuelles.

Lorsque le moteur tourne ou que la machine est chaude, il ne faut pas ouvrir le réservoir ni rajouter du carburant.

Ouvrir le couvercle du réservoir doucement afin que les vapeurs d'essence puissent s'échapper. Veillez à ce que les poignées soient sèches, propres et sans mélange d'essence.

N'utilisez pas l'appareil sans échappement ni protection d'échappement correctement installée.

Ne touchez pas l'échappement. Risque de brûlures.

Utilisez uniquement le carburant recommandé dans le mode d'emploi.

Conservez l'essence uniquement dans des réservoirs prévus à cet effet dans un endroit sûr. Coupez toujours l'appareil avant de le déposer. Travaillez uniquement à la lumière du jour ou avec un bon éclairage artificiel.

Avant chaque utilisation, effectuez un contrôle visuel de l'appareil.

Vérifiez si toutes les vis et pièces de liaison sont bien serrées.

Tenez toujours l'appareil à deux mains.

Avant chaque utilisation, contrôlez l'appareil et ses composants et dispositifs de protection quant à des dommages ou à l'usure et, le cas échéant,

faites effectuer les réparations nécessaires. Ne mettez jamais hors service les dispositifs de protection et de sécurité. N'utilisez pas l'appareil si vous constatez des dommages ou phénomènes d'usure.

Veillez à ce que les outils soient propres et fonctionnels afin de pouvoir travailler mieux et en toute sécurité.

Lors du travail, maintenez toujours l'appareil à une distance suffisante du corps.

En cas d'interruptions de travail et de changement de lieu, toujours couper l'appareil, attendre l'arrêt de la tronçonneuse thermique et couper le moteur.

Ne jamais laisser l'appareil sans surveillance sur le lieu de travail. En cas d'interruptions de travail, conservez l'appareil dans un endroit sûr.

Les personnes travaillant sur la machine ne doivent pas être perturbées. Elles pourraient perdre le contrôle de l'outil.

N'utilisez jamais l'appareil sous la pluie, dans un environnement humide ou mouillé et ne le rangez pas à l'extérieur.

Si l'appareil se mouille, attendez qu'il soit entièrement sec avant de le réutiliser.

Ne surchargez pas la machine et n'effectuez pas de travaux pour lesquels l'appareil n'est pas prévu.

Veillez à ce que les ouvertures d'aération soient toujours propres.

Conservez l'appareil hors de portée des enfants. Conservez l'appareil dans un endroit sûr et sec.

Après un choc ou autres dommages, contrôlez la machine quant à des dommages.

Utilisez uniquement des accessoires recommandés par le fabricant.

Faites réparer votre appareil uniquement par du

F

personnel spécialisé et qualifié et uniquement avec des pièces de rechange d'origine. Ceci garantit que la sécurité de l'appareil sera conservée.

N'utilisez pas la tronçonneuse thermique à proximité de liquides inflammables ou de gaz ni dans un environnement mouillé ou humide. En cas de non respect, il existe un risque d'incendie ou d'explosion.

Ne laissez pas l'appareil en marche sans surveillance.

Travaillez exclusivement dans des conditions d'éclairage appropriées.

Vous êtes responsable de la sécurité dans votre zone de travail.

Veillez à ce que les outils soient propres et fonctionnels afin de pouvoir travailler mieux et en toute sécurité.

Lors du travail, maintenez toujours l'appareil à une distance suffisante du corps.

Ne jamais laisser l'appareil sans surveillance sur le lieu de travail. En cas d'interruptions de travail, conservez l'appareil dans un endroit sûr.

En cas de changement de lieu de travail, couper impérativement l'appareil.

Les personnes travaillant sur la machine ne doivent pas être perturbées. Elles pourraient perdre le contrôle de l'outil.

N'utilisez jamais l'appareil sous la pluie, dans un environnement humide ou mouillé et ne le rangez pas à l'extérieur. Si l'appareil se mouille, attendez qu'il soit entièrement sec avant de le réutiliser.

Protéger l'appareil de la pluie et de l'humidité. Lorsque le moteur tourne, toujours tenir la scie à deux mains. Pour toute coupe, utiliser la griffe comme point de départ, toujours commencer la coupe lorsque la tronçonneuse thermique tourne.

Effectuez la coupe de façon à ce que la scie ne se coince pas dans le bois. Veillez particulièrement aux branches étant sous tension.

Toujours retirer l'appareil du bois lorsque la tronçonneuse thermique tourne.

Ne jamais scier à une hauteur supérieure aux épaules ou à une main.

En présence d'un sol incliné, toujours se trouver du côté de la pente.

En cas de chutes d'arbres, toujours se trouver sur le côté.

Veillez toujours au sens de chute des parties tronçonnées.

Ne commencez jamais la coupe avec la pointe du rail et ne sciez jamais avec la pointe du rail – risque de recul !

Il y a toujours un risque de recul lorsque la pointe du rail entre en contact avec du bois ou d'autres objets. De ce fait, la tronçonneuse thermique devient incontrôlable et peut être projetée avec une grande puissance dans le sens de l'utilisateur. Toujours scier une seule branche à la fois.

Lors du raccourcissement, veillez à des troncs se trouvant à côté.

Ne pas utiliser l'appareil comme levier pour bouger des objets.

Lors du transport, toujours utiliser la protection de chaîne.

Attention: Le produit n'est pas compatible avec les bio carburants.

Avant la mise en service

Vérifiez le fonctionnement impeccable et l'état de fonctionnement sûr de l'appareil et de la chaîne. Contrôlez le fonctionnement du graissage de

chaîne et le niveau d'huile. Vérifiez la tension de la chaîne et le fonctionnement du frein de chaîne.

NOMENCLATURE (B1-B2)

1. Guide de chaîne
2. Chaîne
3. Protection de chaîne
4. Frein de chaîne / protection de la main
5. Butée à pinces
6. Capot de pignon de chaîne
7. Boulons / vis de guide de chaîne
8. Vis de réglage de chaîne
9. Poignée avant
10. Poignée arrière
11. Câble de démarreur
12. Couvercle de réservoir d'huile
13. Couvercle de réservoir
14. Gâchette de sécurité
15. Clé à bougies
16. Capot du filtre à air
17. Levier de starter
18. Bouton d'arrêt
19. Levier des gaz
20. Canal d'écoulement d'huile
21. Bidon de mélange de carburant
22. Tournevis
23. Bouton primaire

Montage (B3-B4)

La chaîne et le guide de chaîne (1) sont livrés à l'état non monté.

Pour vous protéger de blessures, portez des gants lors du montage de la chaîne, pour tendre la chaîne et lors du contrôle consécutif de la tension de la chaîne.

Montage du guide de chaîne

Désaccouplez tout d'abord le frein de chaîne. Pour ce faire, appuyez sur la protection de la main (4) en direction de la poignée supérieure.

- Retirez le capot de pignon de chaîne (6) en dévissant les deux vis de guide de chaîne (1).

- Monter l'arrêt de griffe (5) selon l'image ci-dessus en utilisant la clé de la bougie.(B31)

- Installez le guide de chaîne (1) avec l'extrémité crantée sur les deux boulons de guide de chaîne (1).

Montage de la chaîne (B5-B9)

- Déposez la chaîne (2) en forme de boucle. Veillez à ce que les pinces de coupe arrière soient alignées dans le sens des aiguilles d'une montre.

- Glissez la chaîne (2) au-dessus de l'accouplement sur le pignon de chaîne de la scie à moteur. Veillez à ce que les maillons de la chaîne se trouvent exactement entre les dents du pignon de chaîne.

- Déposez maintenant la chaîne (2) au-dessus de la pointe du rail. Veillez à ce que les maillons de la chaîne (2) se trouvent dans la rainure du guide de chaîne (1) A ce moment, la chaîne est affaissée vers le bas dans le secteur inférieur du guide de chaîne (1).

- Installez maintenant à nouveau le capot de pignon de chaîne (6). Veillez à ce que le gond d'ajustement de chaîne prenne dans le trou du guide de chaîne (1). C'est la seule façon pour monter correctement le capot de pignon de chaîne (6).

Attention ! La chaîne (2) ne doit pas glisser hors du guide de chaîne (1).

Les maillons de chaîne doivent être positionnés avec précision entre les dents de la roue dentée.

la broche de réglage de la chaîne doit insérer le trou de la barre de guidage.

- Installez maintenant à nouveau les deux vis de guide de chaîne (1). Serrez-les toutefois seulement à la main pour l'instant.

Les maillons de chaîne doivent être positionnés avec précision entre les dents de la roue dentée.

Tendre la chaîne (B10-B11)

F

Veillez à ce que les vis du guide de chaîne (1) ne soient serrées qu'à la main pour l'ajustement de la chaîne (2). Desserrez-les le cas échéant. Pour tendre la chaîne (2), vissez, avec un tournevis approprié, la vis d'ajustement de chaîne (8) dans le sens des aiguilles d'une montre.

Pour détendre la chaîne (2), tournez, avec un tournevis approprié, la vis d'ajustement de chaîne (8) dans le sens inverse des aiguilles d'une montre.

La chaîne (2) est correctement tendue si elle peut être soulevée au milieu du guide de chaîne (1) de maximum 2 – 3 mm.

- Après l'ajustement de la chaîne, serrez les vis du guide de chaîne (1).

Recommandations

Faites tourner une nouvelle chaîne (2) pendant env. 5 minutes avant les premiers travaux de sciage. Après le rodage, il faut à nouveau vérifier la tension de la chaîne et la régler le cas échéant. A l'état chaud, la chaîne (2) s'étire et peut s'affaïssir. Il existe alors le risque que la chaîne (2) saute. Retendez donc la chaîne (2) après les premiers travaux de sciage.

Etant donné le fait qu'une chaîne (2) tendue à l'état chaud se rétracte en refroidissant et que cela provoquerait une tension de chaîne trop forte, celle-ci doit absolument être détendue après les travaux de sciage.

ATTENTION – Il faut vérifier plusieurs fois la tension de la chaîne (2) lors de la journée de travail.

Pour ce faire, portez toujours des gants de protection.

Etant donné que le guide de chaîne (1) est soumis à une charge particulière au point de retour et de coupe, il est recommandé de retourner le guide de chaîne (1) après chaque affûtage de chaîne afin d'éviter une usure d'un seul côté.

Carburant (B12)

Utilisez uniquement un mélange d'essence normale sans plomb et de l'huile spéciale pour moteurs 2 temps avec une proportion de mélange de 40 : 1.

Attention : N'utilisez pas d'autre rapport de mélange ni de l'essence pure.

N'utilisez pas de carburant vieux de plus de 2 à 3 mois.

En cas de pauses prolongées, videz le réservoir et remplissez-le à nouveau avant de reprendre le travail.

Mélanger l'essence 40 : 1

- Sur les 100 ml d'huile 2 temps, versez dans un réservoir à carburant les 4,0 litres d'essence et mélangez les deux en secouant vigoureusement.

Remplir le réservoir

Dévissez lentement le couvercle du réservoir (13) afin que la pression et les vapeurs d'essence puissent s'évacuer sans danger.

Versez le mélange 2 temps 40 : 1 au moyen d'un entonnoir et revissez le couvercle du réservoir (13).

Graissage de la chaîne (B13-B15)

La chaîne à scie est livrée sans remplissage d'huile.

Dévisser le couvercle du réservoir d'huile (12). Remplir jusqu'au maximum le réservoir d'huile avec de l'huile pour moteur à deux temps (magasins spécialisés, de bricolage). Ne jamais utiliser de l'huile recyclée ou usagée. Veillez à ce qu'aucune saleté n'entre dans le réservoir d'huile. La tronçonneuse thermique ne doit jamais être utilisée sans huile.

Si la chaîne à scie est utilisée sans huile, toute la garniture de scie sera endommagée dans les plus brefs délais.

Avant de commencer le travail, contrôlez le niveau d'huile et le graissage de la chaîne. Vérifiez le fonctionnement automatique du graissage de chaîne en tenant la scie enclenchée, avec la pointe de lame, contre un papier se trouvant sur le sol. Conserver une distance suffisante !

Si une trace d'huile augmentante se trouve sur le papier, le système de graissage automatique fonctionne lorsque la chaîne de scie est en marche.

Veillez toujours à ce que le canal de sortie d'huile (20) ne présente pas de saletés. En cas de besoin, nettoyez-le avec un objet mince (par ex. un cure-dent, une allumette).

Prudence:

Ne pas essayer de régler le débit d'huile de la pompe à huile. Parce qu'il a été ajusté dans la position optimale avant qu'il ne quitte l'usine.

Frein de moteur / de chaîne (B16)

Pour votre sécurité, cette tronçonneuse thermique est équipée d'un frein de chaîne.

Lorsque la scie effectue un mouvement arrière, la protection de la main avant (4) cogne contre la main et déclenche l'arrêt de la chaîne. Pour remettre la scie en service, pousser fortement la protection de la main (4) en arrière vers la poignée avant. La chaîne s'arrête après 0,12 seconde au plus.

Effectuer, régulièrement, un test fonctionnel. Pour ce faire, rabattre la protection de la main avant (4) vers l'avant et enclencher brièvement la scie. La chaîne ne doit pas démarrer. Tirer la protection de la main vers le corps. La chaîne tourne à la mise en marche.

Recommandations concernant l'appareil

Contrôlez votre tronçonneuse thermique régulièrement quant à des dommages.

Veillez à un fonctionnement impeccable et conforme de toutes les pièces. Veillez à ce que toutes les pièces

soient montées de façon conforme afin de garantir un fonctionnement impeccable.

Faites réparer immédiatement des pièces endommagées par un atelier de service après-vente.

Démarrage moteur froid (B17-B19)

Posez la tronçonneuse thermique sur le sol.

Poussez le Bouton d'arrêt (18) situé sur la poignée de commande vers le haut.

Appuyer légèrement à plusieurs reprises sur la bouton primaire (23) jusqu'à disparition de toutes les bulles (env. 5-6 x).

Tirez le starter (17) entièrement vers l'extérieur.

Prenez une position stable.

De la main gauche, appuyez la tronçonneuse thermique sur le sol. Mettez le pied droit dans la tige de la poignée arrière (10). Tirez le câble de démarreur (11) 3 à 5 fois jusqu'à la butée. Tirez plusieurs fois rapidement et fortement sur le câble du démarreur (11) jusqu'au bout jusqu'à ce que le moteur démarre.

Faire chauffer le moteur pendant 30 secondes. Serrer et relâcher la gâchette.

Couper le moteur (B19)

Laissez revenir le moteur au ralenti sans les gaz.

Déplacez le commutateur de commande (18) vers le bas pour "STOP".

Démarrage moteur chaud

Correspond aux opérations pour le moteur froid. Ici, le starter (17) reste rentré .

Travailler avec la tronçonneuse thermique

Portez des gants, une protection acoustique, des vêtements de protection et un casque avec

protection du visage !

F

Ne jamais scier au-dessus de la hauteur des épaules !

Ne jamais scier d'une seule main !

Ne jamais scier sur une échelle, dans un arbre ou dans un endroit peu sûr !

Vérifier avant la mise en service :

- Tension correcte de la chaîne
- Le réservoir d'huile est rempli
- Le frein de chaîne est desserré

Démarrer la tronçonneuse thermique

Guider la scie (B20)

De la main gauche, prenez la poignée avant (9), de la main droite, la poignée arrière (10).

Couper la scie

Lâchez le levier des gaz (19). Mettez le Bouton d'arrêt (18) sur <<STOP>>. La tronçonneuse thermique doit être déposée uniquement après l'arrêt de la chaîne.

Réglage du carburateur

Le carburateur a été réglé à l'usine pour une puissance optimale. Si une amélioration du réglage est nécessaire, veuillez vous adresser à un atelier spécialisé.

Entreposage

Après chaque travail, nettoyez chaîne (2) et le guide de chaîne (1).

Installez la protection de chaîne (3).

Recommandations concernant le travail (B21-B27)

Lorsque vous tranchez du bois, la griffe d'arrêt doit être bien fixée sur le bois. Faites une coupe de guidage avec la scie à chaîne. Guidez la scie à chaîne avec la poignée avant et tirez-le avec la poignée arrière au sommet. La griffe d'arrêt est utilisée comme point de pivotement.

Lorsque vous coupez du bois dans le sens de la longueur, la scie à chaîne doit être utilisée aussi à plat que possible. Étant donné que dans cette position, la griffe d'arrêt ne peut pas être utilisée, faites très attention – risque de rebond.

Il y a toujours un risque de rebond lorsque la pointe de la barre touche le bois ou un autre objet. La scie à chaîne devient alors incontrôlable et risque d'être poussée avec force en direction de l'utilisateur. Si possible, coupez toujours avec le côté inférieur de la barre, car pendant les coupes, le côté supérieur de la barre de la scie à chaîne risque de se trouver coincé et la scie est alors poussée en direction de l'utilisateur.

Il faut respecter toutes les consignes de sécurité. Ne sciez jamais avec une chaîne lâche ou non affûtée. Toujours retirer la tronçonneuse thermique du matériau scié lorsque la chaîne tourne.

Lorsque vous sciez des arbres tombés, tenez compte du fait que le tronc puisse être tendu. Côté supérieur du tronc tendu. L'arbre peut tomber vers le haut.

Côté inférieur du tronc tendu. L'arbre peut tomber vers le bas.

Si possible, utilisez toujours un dispositif de tension (par ex. chevalet de sciage).

Sciez uniquement du bois ou des objets en bois. Tenez compte de corps étrangers tels que des clous ou des pierres. En cas de contact avec la lame de scie en rotation, ils peuvent être projetés et endommager la chaîne.

En cas de raccourcissement de bois, la butée à

pinces (5) doit être posée fixement sur le bois.

Ce faisant, vous guidez la scie avec la poignée avant et, avec la poignée arrière, vous tirez la scie vers le haut. La butée à pince vous sert de point de rotation. Pour remettre la scie, vous appuyez légèrement sur la poignée avant et vous retirez légèrement la scie. Installez maintenant la butée à pince légèrement plus bas et retirez la poignée vers le haut.

En cas de coupes longitudinales, la tronçonneuse thermique doit être mise en contact avec un angle le plus petit possible. Etant donné que la butée à pince ne peut pas être utilisée ici, il faut procéder avec une attention particulière.

Risque de recul !

Il y a toujours un risque de recul lorsque la pointe du rail entre en contact avec du bois ou d'autres objets. De ce fait, la tronçonneuse thermique devient incontrôlable et peut être projetée avec une grande puissance dans le sens de l'utilisateur.

Si possible, sciez toujours avec la face inférieure du rail, car, lors du sciage avec la face supérieure du rail la tronçonneuse thermique est projetée, en cas coinceage de la chaîne, en direction de l'utilisateur.

Lors de la décharge de la tronçonneuse thermique, poussez-la si possible contre le tronc.

MESURES DE PRECAUTION PARTICULIERES POUR L'ABATTAGE D'ARBRES:

L'abattage d'arbres est particulièrement dangereux et doit être appris. Si vous ne connaissez pas cette activité, vous ne devriez pas l'exécuter. Participez auparavant à un stage.

N'abattez jamais d'arbres dont le diamètre est supérieur à la longueur du guide de chaîne (1).

Un arbre qui tombe peut entraîner d'autres arbres. Prévoir toujours la double longueur d'arbre en tant que zone de risque (zone d'abattage). Par ailleurs, tenez compte des

lignes électriques et téléphoniques.

Avant le sciage, vous devez prévoir et aménager une zone de fuite. La zone de fuite doit être dirigée dans le sens inverse du sens attendu de l'abattage.

Il ne faut pas que des spectateurs, des animaux ou des obstacles se trouvent à proximité.

En cas de coincement de la scie dans l'arbre, ne jamais essayer de libérer la scie lorsque le moteur tourne. Utilisez des coins en bois pour libérer la scie.

Calculez pour commencer le sens d'abattage, en tenant compte du point de gravitation de la cime de l'arbre et de la direction du vent. Tenez compte du fait que la tronçonneuse thermique doit tourner directement avant d'entrer en contact avec le bois. Sciez une encoche dans l'arbre dans le sens d'abattage (A). Cette encoche impose à l'arbre le guidage et le sens. Vérifiez à nouveau le sens d'abattage. Si vous devez corriger le sens d'abattage, recoupez toujours l'encoche sur toute sa largeur.

Dites « Attention, l'arbre tombe ».

Effectuez maintenant, sur le côté opposé de l'encoche, la coupe définitive (B).

Celle-ci est plus haute que la sole de l'encoche. Installez à temps des coins dans l'encoche. Maintenez une ligne de rupture ©. Celle-ci agit comme une charnière. Si vous sciez la ligne de rupture, l'arbre tombe de façon incontrôlée. Ne jamais scier l'arbre de tous les côtés, mais poser des coins.

Reculer lorsque l'arbre tombe. Faites attention à la cime de l'arbre. Attendez que la cime n'oscille plus.

Ne coupez jamais d'arbres si vous ne pouvez plus reconnaître des détails dans la zone d'abattage (pluie, neige, brouillard ou crépuscule).

Ne coupez jamais d'arbres si le sens d'abattage ne peut pas être respecté en raison de vent trop

puissant.

Coupez des arbres uniquement lorsque votre position est stable.

F

Des arbres ou branches couchés peuvent être sous tension. D'abord la coupe de détente, ensuite la coupe de séparation.

Attention: Après exploitée la tronçonneuse à pleine charge pendant une longue période, devrait laisser le moteur tourner à vide pendant un certain temps, jusqu'à ce que l'air de refroidissement enlève plus de la chaleur. De cette manière, on évitera beaucoup plus de chaleur collecté et éviter de provoquer la surchauffe du mécanisme d'entraînement. Après sciage de travail. Besoin de détendre la chaîne si elle est tendue à la température de travail. Étant donné que la chaîne de la scie se rétrécit dans le processus de refroidissement et cela peut endommager le vilebrequin et le palier si elle n'est pas relâchée.

Maintenance et entretien (B28-B30)

Chaîne

Maintenir la chaîne et le guide de chaîne

(1) En cas de besoin, retendre la chaîne (2).

Après une utilisation prolongée et en cas de changement de la chaîne (2), retourner le guide de chaîne (1). De ce fait, vous compensez l'usure de la rainure sur le point de coupe de la lame.

Affûtage de la chaîne

Vous devez faire entretenir la chaîne (2) par un atelier spécialisé.

Filtre à air

Après un travail prolongé, vous devez nettoyer le filtre à air. La poussière et le pollen bouchent les pores du filtre en mousse.

Retirez le capot du filtre à air (16) et lavez le filtre à air dans une eau légèrement savonneuse.

Attention : Ne pas utiliser d'essence ou de solvant. Séchez le filtre avant de le remettre en place.

Afin de ne pas réduire la longévité du moteur, un filtre à air endommagé doit être remplacé immédiatement.

Pour le nettoyage des éléments en plastique, utilisez un chiffon humide. Ne pas utiliser de produits nettoyants, solvants ou objets pointus.

Enlevez régulièrement la poussière accumulée sur les ouvertures d'aération et les pièces mobiles au moyen d'une brosse douce ou d'un pinceau.

Après un travail prolongé, démonter le guide de chaîne (1) et la chaîne et les nettoyer avec une brosse ou un pinceau.

Réglage de la bougie d'allumage

Au moins une fois par an ou en cas de problèmes de démarrage répétés, vérifiez l'écart de l'électrode de la bougie d'allumage. L'écart correct entre l'électrode et le contact d'allumage est de 0,25"/0,63 mm.

- Attendez que le moteur se soit complètement refroidi.

- Retirez le capot du filtre à air.

- Retirez le capuchon de bougie de la bougie d'allumage et dévissez la bougie d'allumage à l'aide d'une clé à bougies.

- En cas d'usure trop importante de l'électrode ou de fort encrassement, il faut remplacer la bougie d'allumage par une neuve de même qualité. Un fort encrassement de la bougie peut être provoqué par : Trop d'huile dans le mélange d'essence, mauvaise qualité d'huile, mélange d'essence trop vieux ou filtre à air bouché.

- Vissez la bougie d'allumage à la main entièrement dans le let. (Éviter un blocage).

- Serrez maintenant la bougie d'allumage à l'aide d'une clé à bougies.

- En cas d'utilisation d'une clé dynamométrique, le couple de serrage est de 12-15 Nm.

- Installez correctement le capuchon de la bougie

sur celle-ci.

- Remettez le capot du filtre à air en place.

Lubrification de la chaîne

Le carburant peut être vérifié par le hublot de regard sur le réservoir de carburant.

Important: s'il vous plaît remplir le réservoir d'huile avant de faire le plein du réservoir de carburant à chaque fois.

Caractéristiques techniques

Moteur 2 temps refroidi par air SPS1E43F3

Cylindrée:	45,1 cm ³
Max. puissance du moteur:	1,8 kW
Volume du réservoir:	500 cm ³
Quantité de remplissage d'huile:	240 cm ³
Largeur de coupe:	360 mm
Bougie d'allumage:	

L8RTF(NHSP LD); L8RTC (Torch); L8RTF(BOSCH)

Poids (Sans guide et la chaîne, réservoir vide): 5,6 kg

Niveau de pression sonore: 102,78 dB(A), k=2,5 dB(A)

Niveau de puissance sonore: 110,07 dB(A), k=2,5 dB(A)

Vibration (selon la norme ISO 22867):

Max. poignée avant: 5.650 m/s², K = 1,5 m/s²

Max. de poignée arrière: 6.027 m/s², K = 1,5 m/s²

Longueur maxi. de la barre : 16"

Pas de chaîne : 9,525 mm

Calibre de chaîne : 1,27 mm (0,05")

Pignon: 7 dents x 9,525 mm

Vitesse ralenti: 2700-3400 min⁻¹

vitesse maximale: 11000 min⁻¹

Type de chaîne : Oregon 91P055X (for 16 ")

Type de barre : Oregon 160SDEA095 (for 16 ")

Le bruit pendant le travail peut dépasser 113 dB

Réparations

Utilisez uniquement des accessoires et des pièces de rechange recommandées par le fabricant. Si, malgré nos contrôles de qualité et votre entretien, l'appareil venait à tomber en panne, ne faites effectuer les réparations que par un spécialiste en

électroménager agréé par notre société.

Protection de l'environnement



Ne jetez pas l'appareil, les accessoires et l'emballage dans la poubelle, mais amenez-les dans un centre de recyclage respectant l'environnement.

Ce petit travail supplémentaire protège notre environnement.

Risques résiduels

Même lorsqu'il est correctement utilisé dans l'outil est toujours un risque résiduel qui ne peut pas être exclu. De la nature et de la conception de l'outil, les dangers potentiels suivants peuvent être obtenus:

- Contact avec la chaîne non protégés (réductions);
 - Atteindre dans le fonctionnement chaîne (couper blessure) a vu;
 - Inattendu, un mouvement soudain du rail de guidage (coupe);
 - Ejection de parties de la chaîne;
 - Ejection de parties du matériau à découper;
 - Dépréciation d'audience, s'il n'y a pas de protection auditive prescrite est usé;
 - L'inhalation de la matière à découper;
 - Risque de recul;
 - Cet appareil produit un champ électromagnétique durant le fonctionnement! Ce champ peut interférer avec les implants médicaux actifs ou passifs dans certaines circonstances!
- Pour réduire le risque de blessures graves ou mortelles, les personnes portant des implants médicaux leur médecin et le fabricant de l'implant médical consulté avant que l'instrument est utilisé!

F

F

Anomalie	Cause possible	Elimination des pannes
Le moteur s'arrête.	Mauvais réglage du carburateur	Faire régler le carburateur par un spécialiste. ou s'il vous plaît contacter le centre de service.
L'appareil démarre mais le moteur a peu de puissance.	Mauvais réglage du starter Filtre à air encrassé Mauvais réglage du carburateur	Mettez sur ↑ Retirer le filtre en mousse, le laver avec de l'eau savonneuse et le remettre en place lorsqu'il est sec Faire régler le carburateur par un spécialiste
L'appareil ne démarre pas ou démarre mais ne tourne pas.	Mauvaise démarche lors du démarrage Mauvais réglage du carburateur Bougie d'allumage encrassée	Suivez les instructions « Démarrage moteur froid » Faire régler le carburateur par un spécialiste Nettoyer la bougie d'allumage, corriger l'écart de l'électrode ou remplacer la bougie d'allumage
Le moteur tourne de façon irrégulière.	Mauvais écart d'électrode sur la bougie d'allumage Bougie d'allumage usée	Nettoyer la bougie d'allumage, corriger l'écart de l'électrode, idéalement, corriger l'écart de l'électrode, idéalement 0,25"/0,63mm, ou remplacer la bougie d'allumage
Développement de fumée trop important.	Mauvais réglage du carburateur Mauvais mélange de carburant	Faire régler le carburateur par un spécialiste Vider le réservoir, remplir avec le mélange correct mélange 2 temps 40 : 1

Avvertenze di sicurezza



Leggere le istruzioni d'uso prima di mettere in funzione l'apparecchio!



Durante il funzionamento mantenere una distanza di almeno 15 m tra l'apparecchio e le altre persone!



Indossare le cuffie antirumore, il casco e gli occhiali protettivi idonei!



Indossare scarpe resistenti e antiscivolo!



Indossare guanti resistenti!



Indossare indumenti da lavoro resistenti!



I gas di scarico dell'apparecchio sono tossici e provocano asfissia!



ATTENZIONE pericolo di incendio! La benzina e i vapori della benzina sono facilmente infiammabili!



Non esporre la macchina alla pioggia. Conservare la macchina in un luogo asciutto.



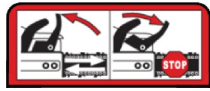
Protegetevi da contraccolpi della motosega. Durante l'uso tenete ferma la motosega con le entrambe le mani.



Tenere la motosega con la mano destra sull'impugnatura posteriore e la mano sinistra su quella anteriore.



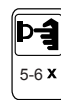
Pericolo di lesioni! Superfici ad alta temperatura!



Il freno della catena è SBLOCCATO (la catena si può muovere), quando la LEVA DEL FRENO È TIRATA INDIETRO E BLOCCATA. Il freno della catena è INNESTATO (la catena è bloccata), quando la leva del freno è tirata in avanti. La catena non si dovrebbe poi poter muovere.



Livello di potenza sonora L_{WA} : 113 dB(A)



Premere la pulsante di innesco lievemente tante volte, fino a quando non si vedono più bolle (circa 5-6 volte).



Questo apparecchio è conforme alle prescrizioni di sicurezza per apparecchiature a motore.

Prima di mettere in funzione l'apparecchio, leggere attentamente le istruzioni per l'uso.

Un uso non corretto può causare ferite alle persone e danni alle cose. L'apparecchio non può essere utilizzato da persone che non abbiano confidenza con le relative istruzioni d'uso. Conservare con cura le istruzioni d'uso.

Bambini e ragazzi non sono autorizzati all'uso dell'apparecchio.

Uso conforme

Questa sega serve esclusivamente per segare legno, ad esempio tronchi, rami, assi, ecc.

Il costruttore non si assume alcuna responsabilità per un utilizzo non conforme alle prescrizioni, così come per modifiche apportate alla macchina.

Attenersi quindi alle avvertenze di sicurezza, alle istruzioni per il montaggio e l'uso, nonché alle norme antinfortunistiche genericamente valide per tali apparecchi.

Avvertenze di sicurezza

La motosega non può essere avviata né utilizzata in vicinanza di persone o animali.

Non utilizzare l'apparecchio quando si è stanchi o poco concentrati, o con i riflessi rallentati per l'uso di alcol o farmaci.

Una disattenzione può provocare serie ferite.

Indossare occhiali protettivi idonei.

Indossare cuffie antirumore idonee.

Indossare guanti protettivi resistenti.

Indossare scarpe resistenti e antiscivolo con punta in acciaio. Non utilizzare mai l'apparecchio indossando sandali o a piedi scalzi.

Per lavori di decespugliatura occorre indossare un casco idoneo.

Non indossare indumenti ampi o collane, bracciali, ecc.

Indossare pantaloni lunghi per proteggere le gambe.

Indossare un copricapo se i capelli sono lunghi. Indumenti ampi, collane, bracciali e capelli lunghi possono rimanere impigliati nelle parti in movimento.

Indossare indumenti da lavoro adatti, resistenti e aderenti.

Quando si avvia il motore, o il motore è in funzione, tenere le parti del corpo e gli indumenti lontani dalla motosega.

Mantenere sempre una posizione stabile e sicura durante il lavoro. Evitare di camminare all'indietro con l'apparecchio in funzione, per evitare di inciampare. Evitare posture anomale.

In caso di uso prolungato della motosega si può verificare un disturbo vascolare dato dall'esposizione alle vibrazioni (sindrome del dito bianco). Non è possibile fornire indicazioni sui limiti della durata di utilizzo, in quanto questi possono variare molto da persona a persona. I seguenti fattori possono influenzare il verificarsi del disturbo: presenza di problemi vascolari alle mani da parte dell'utilizzatore, bassa temperatura esterna, prolungati tempi di utilizzo. Si consiglia quindi di indossare guanti caldi e di fare delle frequenti pause.

I gas di scarico dei motori a scoppio sono tossici e possono avere un effetto soffocante. La motosega non può essere usata in ambienti chiusi o scarsamente aerati.

Riempire il serbatoio del carburante solo all'aperto o in zone sufficientemente aerate.

La benzina e i vapori della benzina sono facilmente infiammabili. Tenere l'apparecchio lontano da materiali

infiammabili e sorgenti di accensione, come ad esempio forni o camini.

Non fumare mentre si riempie il serbatoio o si usa l'attrezzo.

Asciugare subito la benzina eventualmente fuoriuscita.

Avviare la motosega in un luogo lontano dal luogo in cui si è riempito il serbatoio.

Controllare che il coperchio del serbatoio sia sempre ben chiuso. Verificare che non ci siano punti di perdita.

Non aprire il tappo del serbatoio e non versare carburante mentre il motore è in funzione o se l'apparecchio è ancora caldo.

Aprire il tappo del serbatoio lentamente per far fuoriuscire i vapori della benzina.

Accertarsi che le maniglie siano asciutte, pulite e prive di tracce di miscela.

Non utilizzare l'apparecchio senza scappamento e protezione scappamento ben installata.

Non toccare lo scappamento. Pericolo di ustioni. Utilizzare solo il carburante consigliato nelle istruzioni.

Conservare la benzina solo negli appositi contenitori e in un posto sicuro.

Spegnere sempre l'apparecchio prima di posarlo.

Lavorare solo alla luce del giorno o con un buon sistema di illuminazione artificiale.

Prima di ogni utilizzo eseguire un controllo visivo dell'apparecchio.

Verificare che tutte le viti e tutti i pezzi di collegamento siano ben serrati.

Tenere sempre l'attrezzo ben saldo con entrambe le mani.

Prima dell'utilizzo accertarsi sempre che l'apparecchio e i suoi componenti non presentino danni o segni di usura. Provvedere eventualmente a far eseguire le riparazioni necessarie. Non disattivare mai i dispositivi di protezione e di sicurezza.

Non utilizzare l'apparecchio nel caso in cui si notassero segni di danneggiamento o di usura. Per poter lavorare meglio e in maggiore sicurezza, mantenere puliti e funzionanti gli utensili.

Durante il lavoro tenere l'apparecchio sempre ad una distanza sufficiente dal corpo.

Durante le pause di lavoro e quando ci si deve spostare da un punto di lavoro a un altro spegnere sempre l'apparecchio, aspettare che la motosega si fermi e il motore si arresti.

Non lasciare mai acceso l'apparecchio nel posto di lavoro senza sorveglianza. Durante le pause di lavoro riporre l'apparecchio in un luogo sicuro. Non distrarre le persone che stanno lavorando con l'apparecchio. Potrebbero perdere il controllo dell'utensile.

Non utilizzare mai l'apparecchio sotto la pioggia, in ambienti umidi o bagnati; non riporre l'apparecchio all'aperto.

Se l'apparecchio dovesse bagnarsi, attendere che sia completamente asciutto prima di riutilizzarlo. Non sovraccaricare l'apparecchio e non eseguire lavori per i quali l'apparecchio non è stato previsto.

Accertarsi che le aperture di aerazione non siano ostruite da sporco. Conservare l'apparecchio lontano dalla portata dei bambini. Conservare l'apparecchio in un luogo sicuro e asciutto.

Dopo un urto o altro tipo di danno, controllare che l'apparecchio non presenti danneggiamenti.

Utilizzare esclusivamente accessori consigliati dal costruttore. Far riparare l'apparecchio solo da personale specializzato e qualificato che utilizzi solo pezzi di ricambio originali. In questo modo

non si rischia di compromettere la sicurezza dell'apparecchio.

Non utilizzare la motosega nelle vicinanze di liquidi o gas infiammabili e in ambienti umidi o bagnati. La mancata osservanza di tale avvertenza comporta pericolo di incendio o esplosione. Non lasciare acceso l'apparecchio se non sotto sorveglianza.

Lavorare solo se le condizioni di luminosità lo consentono.

Voi stessi siete responsabili della sicurezza nella vostra zona di lavoro.

Per poter lavorare meglio e in maggiore sicurezza, mantenere puliti e funzionanti gli utensili.

Durante il lavoro tenere l'apparecchio sempre ad una distanza sufficiente dal corpo.

Durante le pause di lavoro e quando ci si deve spostare da un punto di lavoro a un altro spegnere sempre l'apparecchio, aspettare che il motore si fermi e staccare la spina.

Non lasciare mai acceso l'apparecchio nel posto di lavoro senza sorveglianza. Durante le pause di lavoro riporre l'apparecchio in un luogo sicuro. Spegnere sempre l'apparecchio durante i cambi di posto di lavoro.

Non distrarre le persone che stanno lavorando con l'apparecchio. Potrebbero perdere il controllo dell'utensile.

Non utilizzare mai l'apparecchio sotto la pioggia, in ambienti umidi o bagnati; non riporre l'apparecchio all'aperto. Se l'apparecchio dovesse bagnarsi, attendere che sia completamente asciutto prima di riutilizzarlo.

Tenere l'apparecchio al riparo dalla pioggia e dall'umidità.

Tenere sempre la sega con tutte due le mani

quando il motore è in funzione. Per ogni taglio utilizzare sempre la graffa come punto di attacco, iniziare il taglio sempre con catena in moto.

Eseguire il taglio in modo che la sega non rimanga incastrata nel legno.

Fare particolarmente attenzione ai rami sottoposti a tensione.

Sfilare l'apparecchio dal legno solo con catena in funzione.

Non segare mai al di sopra delle spalle o con una mano sola.

Se il terreno è inclinato, posizionarsi sempre rivolti verso l'alto.

Tenersi sempre sul fianco di alberi cadenti. Fare sempre attenzione alla direzione di caduta dei pezzi tranciati.

Non iniziare mai con la punta del ferro rivolta verso il taglio e non segare mai con la punta
– Pericolo di contraccolpo!

Sussiste sempre il pericolo di contraccolpo quando la punta del ferro viene a contatto con il legno o altri oggetti. La sega in tal caso diventa incontrollabile e può rimbalzare con violenza contro l'operatore.

Segare sempre un solo ramo alla volta.

Quando si eseguono tagli a misura, fare sempre attenzione ai tronchi vicini.

Non utilizzare mai l'apparecchio come leva per spostare oggetti vari.

Prima della messa in funzione

Controllare che l'apparecchio e la catena funzionino correttamente e siano in condizioni d'uso sicure. Controllare il funzionamento del sistema di lubrificazione della catena e il livello dell'olio.

Controllare la tensione della catena e il funzionamento del freno della catena.

Componenti dell'apparecchio (B1-B2)

1. Guida della catena
2. Catena
3. Protezione catena
4. Freno catena/Paramano
5. Arresto a graffa
6. Copertura ruota dentata della catena
7. Viti e dadi della guida della catena
8. Vite di registro della catena
9. Impugnatura anteriore
10. Impugnatura posteriore
11. Corda di avviamento
12. Coperchio del serbatoio dell'olio
13. Coperchio del serbatoio del carburante
14. Sblocco sicurezza
15. Chiave candela di accensione
16. Copertura filtro dell'aria
17. Levetta dell'aria
18. Interruttore on/off
19. Leva del gas
20. Canale uscita olio
21. Tanica di carburante
22. Cacciavite
23. Pulsante di innesco

Montaggio (B3-B4)

La catena e la guida della catena sono fornite non montate.

Per evitare di ferirsi, indossare sempre dei guanti di protezione nelle operazioni di montaggio, tensionamento e verifica del tensionamento della catena della sega.

Montaggio della guida

-Per prima cosa disinnestare il freno della catena.

Per fare questo spingere la protezione per la mano (4) in direzione della maniglia superiore. (B4)

-Togliere il carter copricatena (6) aprendo le due viti della guida (7).

- Montare la fermata artiglio (5) secondo l'immagine qui sopra, utilizzando la chiave candela.(B31)

-Applicare la guida (1) con l'estremità intagliata sui due

perni della guida (7).

Montaggio della catena (B5-B9)

-Posare la catena (2) formando un cappio. Fare attenzione che le graffe sia rivolte in senso orario.

-Spingere la catena (2) sopra l'innesto sul pignone della catena della motosega. Accertarsi che le maglie della catena stiano esattamente fra i denti del pignone.

-Quindi mettere la catena (2) sopra la punta della guida. Controllare che le maglie della catena (2) si trovino dentro la scanalatura della guida.

A questo punto la catena pende verso il basso nella zona posteriore della guida.

-Ora riapplicare il carter copricatena (6) (6), facendo attenzione che il perno di registro della catena ingrani nel foro della guida. Solo così è possibile montare correttamente il carter copricatena (6).

Attenzione! La catena (2) non deve scivolare giù dalla guida (1).

Le maglie della catena devono essere posizionati con precisione tra i denti del pignone.

Il perno di regolazione catena sul pignone deve inserire il foro sulla barra di guida.

- Ora riapplicare le due viti della guida (7), ma limitandosi in questa fase a stringerle con la mano.

Tensionamento della catena (B10-B11)

Prestare attenzione che le viti della guida (7) per regolare la catena (2) devono essere strette solo a mano. Se necessario, provvedere ad allentarle.

-Per tendere la catena (2), avvitare in senso orario la vite di registro della catena (8) usando un cacciavite adatto.

-Per ridurre la tensione della catena (2), avvitare in senso antiorario la vite di registro della catena (8) usando un cacciavite adatto.

La tensione della catena (2) è corretta quando al centro della guida (1) la catena non si lascia sollevare più di 2 – 3 mm.

-Dopo aver regolato la catena stringere a fondo le viti di registro della guida.

Avvertenze

Prima di iniziare la prima lavorazione, lasciare girare a vuoto la catena nuova (2) per almeno 5 minuti.

Dopo questo avviamento, controllare di nuovo il tensionamento della catena ed eventualmente regolarlo.

Quando è calda, la catena (2) si dilata e può cedere in lunghezza. Questo fenomeno può provocare il pericolo di sgancio e fuoriuscita della catena (2). Si consiglia quindi di tendere di nuovo la catena (2) al termine della prima lavorazione.

Una catena tesa a caldo (2), quando si raffredda si restringe e potrebbe tendersi eccessivamente; è quindi assolutamente necessario allentarla di nuovo dopo aver terminato la lavorazione.

ATTENZIONE – Controllare ripetutamente il tensionamento della catena (2) durante la giornata lavorativa. Per effettuare questa operazione, indossare sempre i guanti protettivi.

Poiché la guida (1) è soggetta a forte sollecitazione nel punto di inversione del giro e sul lato di taglio, per evitare un'eccessiva usura sullo stesso lato si consiglia di girare la guida dopo ogni affilatura della catena.

Carburante (B12)

Utilizzare solo una miscela di benzina normale senza piombo e olio speciale per motori a 2 tempi, nel rapporto di 40:1.

Attenzione Non utilizzare un rapporto diverso e non utilizzare benzina pura.

Non utilizzare carburante più vecchio di 2-3 mesi. Se le pause di lavorazione sono molto lunghe, svuotare il serbatoio e riempirlo di nuovo prima di iniziare un nuovo lavoro.

Miscela benzina 40:1

- Aggiungere i 100 ml di olio per motori a 2 tempi in una tanica che contiene i 4,0 litri di benzina e miscelare scuotendo con forza.

Aggiungere benzina

- Svitare lentamente il coperchio del serbatoio del carburante (13) in modo che pressione e vapori di benzina possano fuoriuscire senza causare pericolo.

- Versare la miscela per motori a 2 tempi nel rapporto 40:1 con un imbuto e riavvitare il coperchio (13).

Anelli di trazione lubrificazione (B13-B15)

La sega a catena viene fornita senza olio lubrificante.

Svitare il coperchio del serbatoio dell'olio (12).

Riempire il serbatoio fino al livello massimo con olio per catene bio-degradabile. Non utilizzare mai olio riciclato o olio vecchio. Fare attenzione che non penetri sporcizia all'interno della coppa dell'olio. Non mettere mai in funzione la sega senza olio. Se la sega viene messa in funzione senza olio, si danneggiano in pochissimo tempo tutte le guarnizioni della sega.

Controllare sempre la lubrificazione della catena e il livello dell'olio prima di iniziare la lavorazione.

Controllare il funzionamento automatico del sistema di lubrificazione della catena tenendo la sega accesa con la punta della barra rivolta verso un foglio di carta appoggiato sul pavimento. Tenere una distanza sufficiente! Se sul foglio si allarga una macchia d'olio, significa che il dispositivo automatico di oliatura funziona quando la catena è in esecuzione..

Fare sempre attenzione che il canale uscita olio (20) sia sempre privo di impurità. Se necessario pulirlo con un oggetto sottile (ad es. uno stuzzicadenti o un fiammifero).

ATTENZIONE:

Non cercare di regolare il flusso dell'olio della pompa dell'olio. esso è stato regolato nella posizione ottimale prima di lasciare la fabbrica.

Freno motore/catena (B16)

La sicurezza dell'operatore è garantita dalla presenza sulla sega di un freno catena.

In caso di contraccolpo, il paramano anteriore (4) batte contro la mano dell'utilizzatore e provoca così l'arresto della catena. Per rimettere in funzione la sega, spingere indietro con forza il paramano (4). La catena si ferma al massimo dopo un decimo di secondo.

Eseguire regolarmente delle prove di funzionamento.

A tale scopo, ribaltare il paramano anteriore (4) in avanti e accendere per pochi secondi la sega. La catena non deve avviarsi. Tirare il paramano verso il corpo. La catena gira all'accensione.

Avvertenze per l'uso dell'apparecchio

Controllare frequentemente la catena e verificare che non sia danneggiata. Verificare che tutti i pezzi funzionino regolarmente e correttamente. Controllare che tutti i pezzi siano montati correttamente e assicurino un funzionamento regolare. Fare riparare subito i pezzi danneggiati presso un'officina convenzionata.

Avvio con motore freddo (B17-B19)

- Posare la motosega a terra in posizione sicura.
- Spingere verso l'alto l'interruttore on/off (18) sulla maniglia di comando.
- Premere la pulsante di innesco (23) lievemente tante volte, fino a quando non si vedono più bolle (circa 5-6 volte).
- Tirare verso l'esterno la levetta dell'aria (17).Assumere una posizione sicura.

Tenere saldamente la motosega vicino al terreno con la mano sinistra.

-Salire con il piede destro sull'asta dell'impugnatura posteriore (10).

- Tirare la corda di avviamento (11) da 3 a 5 volte per l'intera lunghezza.

- Tirare più volte rapidamente la corda di avviamento (11) fino in fondo finché il motore non parte.

Riscaldare il motore per 30 secondi. Stringere e rilasciare il grilletto.

Spegnimento del motore (B19)

- Rilasciare la leva del gas e riportare il motore al minimo.

- Spostare l'interruttore di comando (18) verso il basso su "STOP".

Avviamento con motore caldo

- Seguire la stessa procedura dell'avvio a motore freddo. La levetta dell'aria (17) in questo caso non viene tirata.

Lavorazioni con la motosega

Indossare guanti, cuffie antirumore, indumenti protettivi e casco provvisto di protezione per il viso.

Non segare mai ad un'altezza superiore a quella delle spalle!

Non utilizzare mai la sega con una sola mano. Non azionare mai la sega stando in piedi su una scala, su un albero o comunque in un luogo non sicuro.

Controlli preliminari:

- Verificare che la tensione della catena sia corretta.

-Verificare che il serbatoio dell'olio sia rifornito.

- Verificare che il freno catena sia attivato.

Avviamento della motosega (B20)

Guidare la motosega

Afferrare con la mano sinistra l'impugnatura anteriore (9) e con la mano destra l'impugnatura posteriore (10).

Spegnere la sega: Rilasciare la leva dell'acceleratore (19). Spingere l'interruttore on/off (18) su <<STOP>>.

Depositare la sega solo dopo che la catena si è fermata.

Regolazione del carburatore

Il carburatore è stato regolato in fabbrica per ottenere un rendimento ottimale. Qualora fosse necessario migliorare la regolazione, rivolgersi ad un'officina specializzata.

Conservazione

Dopo ogni lavorazione, pulire la catena (2) e la guida (1).

Applicare la protezione della catena (3).

Avvertenze per la lavorazione (B21-B27)

Seguire tutte le avvertenze per la sicurezza.

Non azionare la sega se la catena è allentata o consumata. Sfilare la sega dal pezzo in lavorazione solo mentre la sega a catena è in funzione.

Durante il taglio di alberi caduti, fare attenzione che il tronco in lavorazione abbia una sicura stabilità.

Lato superiore del tronco sotto tensione. Il tronco

può spaccarsi verso l'alto.

Lato inferiore del tronco sotto tensione. Il tronco può spaccarsi verso il basso.

Se possibile, utilizzare sempre un dispositivo di tensionamento (ad esempio un cavalletto).

Segare solo legname o oggetti di legno. Controllare l'eventuale presenza di corpi estranei, come chiodi o pietre. Se tali oggetti vengono a contatto con la lama della sega, vengono espulsi con forza e danneggiano la catena.

Quando si eseguono tagli a misura, fissare bene l'arresto a graffa sul legno. Inserire la barra nel legno quando la sega è già in funzione. Per fare ciò, guidare la sega con l'impugnatura anteriore e con l'impugnatura posteriore tirare la sega verso l'alto. L'arresto a graffa serve in questa operazione come fulcro di rotazione. Per interrompere, spingere leggermente sull'impugnatura anteriore e contemporaneamente retrarre leggermente la sega. A questo punto affondare leggermente l'arresto a graffa e tirare di nuovo l'impugnatura verso l'alto.

Nei tagli longitudinali, posizionare la sega in modo che formi un angolo il più piatto possibile. In questi casi non si può utilizzare l'arresto a graffa, pertanto è necessario prestare la massima attenzione. Pericolo di contraccolpo!

Sussiste sempre il pericolo di contraccolpo quando la punta del ferro viene a contatto con il legno o altri oggetti. La sega in tal caso diventa incontrollabile e può rimbalzare con violenza contro l'operatore.

Segare sempre, se possibile, con il lato inferiore della sega, poiché tagliando con il lato superiore se la catena si inceppasse, la sega verrebbe spinta verso l'operatore.

Quando si tagliano rami, effettuare il taglio il più possibile vicino al tronco.

Misure di cautela particolari per l'abbattimento di alberi. L'abbattimento di alberi è un'operazione estremamente pericolosa e necessita di una certa esperienza. Se non si possiede adeguato addestramento, non eseguire queste operazioni. Si consiglia di frequentare prima un corso di addestramento.

Non abbattere alberi il cui diametro è superiore alla lunghezza della guida della sega.

Un albero in caduta può trascinare con sé altri alberi. Prevedere sempre come zona pericolosa un'area di lunghezza doppia rispetto alla lunghezza dell'albero (zona di caduta). Considerare la presenza di eventuali linee telefoniche o di tensione elettrica.

Prevedere e lasciare sgombra una zona di fuga prima di iniziare il taglio. La zona di fuga deve correre in direzione opposta alla direzione di caduta prevista.

Nella zona di caduta non devono trovarsi avventori, animali o ostacoli di nessun tipo. Se la sega dovesse incastrarsi nell'albero, non liberare la sega con motore in moto. Per liberare la sega, utilizzare cunei di legno.

Calcolare prima la direzione di caduta, tenendo conto del baricentro della chioma e della direzione del vento. Ricordare che la sega deve essere già in funzione quando viene a contatto con il legno. Segare una traccia nell'albero nella direzione di caduta (A). Tale traccia serve per dare all'albero la direzione e la guida di caduta.

Controllare nuovamente la direzione di caduta. Se è necessario correggere la direzione di caduta, tagliare la traccia sempre su tutta la larghezza. Gridare "Attenzione, albero in caduta". A questo punto procedere con il taglio finale sul lato opposto a quello della tacca praticata in precedenza (B). Questo taglio va praticato più in alto rispetto alla base della traccia.

Inserire per tempo dei cunei nel taglio di abbattimento.

Lasciare una striscia di rottura (C), che serve da cerniera. Tagliando completamente la striscia di rottura, l'albero cadrebbe in modo incontrollato.

Non tagliare l'albero sulla circonferenza, ma inserire cunei su tutta la circonferenza. Tirarsi indietro quando l'albero cade. Tenere d'occhio la chioma dell'albero. Prevedere l'oscillazione della chioma.

Non abbattere alberi se non si è più in grado di scorgere i dettagli della zona di caduta per la presenza di pioggia, neve, nebbia, o in presenza di scarsa luce. Non abbattere alberi se non è possibile garantire la direzione di caduta per la presenza di forte vento.

Abbattere alberi solo se si è in posizione assolutamente sicura.

Alberi o rami a terra possono restare sotto tensione. Eseguire prima il taglio di scarico, quindi il taglio di distacco.

Attenzione: Dopo aver azionato la motosega a pieno carico per un lungo tempo, dovrebbe far funzionare il motore a vuoto per un tempo, fino a quando l'aria di raffreddamento rimuove la maggior parte del calore. In questo modo, si eviterà molto più calore raccolto e non provocare il meccanismo di azionamento surriscaldamento. Dopo aver tagliato il lavoro. Necessità di allentare la catena se è tesa alla temperatura di esercizio. Poiché la catena sarà ridotto nel processo di raffreddamento e danneggerà il motore e il cuscinetto se non è allentata.

Manutenzione e cura (B28-B30)

Catena

Manutenere la catena e la guida. Tendere la catena (2) regolarmente quando necessario. Girare la guida (1) dopo un uso prolungato e quando si sostituisce la catena (2). In questo modo si compensa l'usura della scanalatura sul lato taglio della barra.

Affilare la catena

Fare eseguire la manutenzione della catena (2) da un'officina specializzata.

Filtro aria

Dopo un uso prolungato è necessario pulire il ltro dell'aria. Polvere e pollini intasano i pori del ltro in plastica espansa.

- Togliere la copertura del ltro dell'aria (16) e lavare il ltro dell'aria in acqua leggermente saponata. Attenzione Non utilizzare benzina o solventi.

- Asciugare bene il ltro prima di rimontarlo. Per non diminuire la normale durata del motore è necessario sostituire subito il ltro dell'aria quando è danneggiato .

Per la pulizia delle parti in plastica, utilizzare un panno umido. Non utilizzare detergenti, solventi né oggetti appuntiti.

Rimuovere regolarmente la polvere statica dalle aperture di aerazione e dalle parti mobili utilizzando una spazzola morbida o un pennello.

Dopo una lavorazione prolungata, smontare guida e catena e pulirle con una spazzola o un pennello.

Regolazione candele di accensione
Almeno una volta l'anno o in caso di ripetuto avvio irregolare verificare la distanza tra gli elettrodi della candela di accensione. La distanza giusta tra contatto e linguetta è di 0,25"/0,63 mm.

- Aspettare che il motore si sia completamente rareddato.

- Rimuovere la copertura del ltro dell'aria.

- Estrarre il cappuccio dalla candela e svitare la candela usando la chiave per candele fornita.

- In caso di estrema usura degli elettrodi oppure di profonda incrostazione è necessario sostituire

la candela con un'altra equivalente. Una profonda incrostazione della candela può essere causata da: Percentuale troppo alta di olio nella miscela, bassa qualità dell'olio, miscela vecchia o ltro dell'aria intasato.

- Avvitare la candela di accensione no in fondo nella lettatura (evitare di inclinare la candela).
- Serrare ora la candela di accensione con una chiave apposita.

- In caso di utilizzo di una chiave torsiomtrica la coppia di serraggio è di 12-15 Nm.

- Applicare il cappuccio correttamente sulla candela.

- Applicare nuovamente la copertura del ltro dell'aria.

Lubrificazione della catena

il carburante può essere controllato attraverso il vetro spia sul serbatoio.

Importante: si prega di riempire l'olio prima di effettuare il rifornimento di carburante ogni volta.

Dati tecnici

Motore a 2 tempi rareddato ad aria SPS1E43F3

Cilindrata:	45,1 cm ³
Max. potenza motrice:	1,8 kW
Volume serbatoio:	500 cm ³
Quantità olio:	240 cm ³
Lunghezza di taglio:	360 mm

Candela di accensione:
L8RTF(NHSP LD); L8RTC (Torch) ;L8RTF(BOSCH)

Peso (Senza barra e catena, serbatoio vuoto): 5,6 kg

Livello pressione sonora: 102,78 dB(A),k=2,5 dB(A)

Livello potenza sonora: 110,07 dB(A),k=2,5 dB(A)

Vibrazioni (secondo ISO 22867):

Max. impugnatura anteriore: 5.650 m/s², K = 1,5 m/s²

Max. maniglia posteriore: 6.027 m/s², K = 1,5 m/s²

Lunghezza massima della barra: 16"

Passo della catena: 9,525 mm

Spessore catena: 1,27 mm (0,05")

Pignone: 7 denti X 9,525 millimetri

Velocità folle massima: 2700-3400 min⁻¹

Velocità massima: 11000 min⁻¹
Tipo di catena: Oregon 91P055X (for 16 ")
Tipo di barra: Oregon 160SDEA095 (for 16 ")
Il rumore prodotto dall'apparecchio durante il lavoro può superare gli 113 dB.

Riparazioni

Utilizzare esclusivamente accessori e ricambi consigliati dal costruttore. Se, nonostante i nostri controlli di qualità e la vostra cura, l'apparecchio dovesse guastarsi, fare effettuare le riparazioni da un elettricista specializzato autorizzato.

Protezione ambientale



Smaltire l'apparecchio, gli accessori e l'imballo non gettandoli semplicemente in un cassonetto, ma portandoli ad un centro di riciclaggio ecologico.

Il piccolo dispendio di tempo necessario per tali operazioni va a vantaggio del nostro ambiente.

Rischi residui

Anche se correttamente utilizzati nello strumento è sempre qualche rischio residuo che non può essere esclusa. Dalla natura e la progettazione dello strumento, i seguenti potenziali rischi possono derivare:

- Contatto con la catena non protetto (tagli);
- Raggiungere in corsa ha visto catena (tagliare infortunio);
- Inaspettato, improvviso movimento della rotaia di guida (tagli);
- Espulsione di parti della catena;
- Espulsione di parti del materiale da tagliare;
- Perdite di valore di udito, se non vi è alcuna protezione dell'udito prescritta viene indossato;
- L'inalazione di materiale da tagliare;
- Rischio di rinculo;
- Questo dispositivo produce un campo elettromagnetico durante il funzionamento! Questo campo può interferire con impianti medici attivi o passivi, in determinate circostanze!

Per ridurre il rischio di lesioni gravi o mortali, i portatori di protesi mediche proprio medico e il costruttore dell'impianto medico consultato prima di utilizzare lo strumento!

Problema	Possibile causa	Eliminazione del guasto
Il motore si blocca.	Regolazione carburatore errata	Far regolare il carburatore da uno specialista. o contattare un centro di assistenza.
L'attrezzo parte, ma il motore ha poca potenza.	Regolazione errata della levetta dell'aria Filtro aria sporco Regolazione carburatore errata	Portare la levetta su ↓ Rimuovere il filtro in plastica espansa, pulirlo con acqua saponata, lasciarlo asciugare e rimontarlo. Far regolare il carburatore da uno specialista.
L'attrezzo non parte o parte, ma non gira.	Procedura di avviamento errata Regolazione carburatore errata Candela arrugginita	Seguire le istruzioni "Avviamento con motore freddo". Far regolare il carburatore da uno specialista. Pulire la candela, correggere la distanza tra gli elettrodi o sostituire la candela.
Il motore funziona in modo irregolare	Distanza tra gli elettrodi della candela errata Candela di accensione bruciata	Pulire la candela, correggere la distanza tra gli elettrodi (ideale 0,25"/0,63 mm) o sostituire la candela.
Sviluppo eccessivo di fumo	Regolazione carburatore errata Miscela carburante errata	Far regolare il carburatore da uno specialista. Svuotare il serbatoio, versare la miscela giusta: Miscela 2 tempi 40:1

Wskazówki bezpieczeństwa i ostrzeżenia

P
L



Przed uruchomieniem przeczytać instrukcję obsługi!



Pilnować, aby podczas pracy minimalny odstęp między maszyną a osobami postronnymi wynosił 15 m!



Do pracy nakładać atestowane zabezpieczenia słuchu, osłonę głowy i okulary ochronne!



Używać nieśliskiego i mocnego obuwia!



Nakładać dobre, mocne rękawice!



Używać odpowiedniej i mocnej odzieży roboczej!



Powstające spaliny są trującą o działaniu duszącym!



UWAGA – niebezpieczeństwo pożaru!
Benzyna i jej opary są łatwopalne!



OSTRZEŻENIE: Nie należy używać piły łańcuchowej w warunkach deszczowych lub wilgotnych. Chroń je przed wilgocią.



Chroń się przed odrzutu piły. Trzymaj pilarkę oburącz podczas użytkowania.



Trzymać piłę łańcuchową z prawej strony na tylnej rękojeści i lewą ręką za uchwyt przedni.



Ryzyko poparzenia w kontakcie z gorącym spalin lub cylindra, ponieważ części te są w pracy silnika w wysokich temperaturach. Nawet po wyłączeniu zasilania te elementy są wciąż na gorąco.



Hamulec łańcucha jest wyłączony (łańcuch może się poruszać), gdy dźwignia hamulca jest wyciągnięta do tyłu i zablokowana.

Hamulec łańcucha jest włączony (łańcuch jest zatrzymany), gdy dźwignia hamulca jest w pozycji do przodu. Nie powinny być w stanie poruszać się łańcuch.



Poziom mocy akustycznej L_{WA} :
113 dB (A)



Naciskać lekko przycisk startera, aż nie będzie już żadnych widocznych bąbelków (około 5-6 razy).



Niniejsze urządzenie odpowiada ustaleniom bezpieczeństwa zalecanym dla urządzeń napędzanych silnikami benzynowymi.

Przed uruchomieniem maszyny proszę zapoznać się z instrukcją obsługi.

Używanie nieprawidłowe i niezgodne z przeznaczeniem może prowadzić do naruszenia zdrowia i uszkodzenia przedmiotów. Osoby, które nie zapoznały się z instrukcją obsługi, nie mogą pracować z urządzeniem. Instrukcję obsługi należy starannie przechowywać.

Zabrania się użytkowania maszyny przez dzieci i osoby młodociane.

Używanie zgodne z przeznaczeniem

Spalinowa piła łańcuchowa przeznaczona jest wyłącznie do cięcia drewna do własnego użytku.

Z powodu spalin wydobywających się z układu napędowego zezwala się na cięcie drewna tylko na wolnym powietrzu lub w odpowiednio przewietrzonych pomieszczeniach.

Piłę można także stosować do ścinania drzew. Z powodu występujących zagrożeń zaleca się jednak, aby przeprowadzała to odpowiednio doświadczony fachowiec.

Wskazówki dotyczące bezpieczeństwa

Piła nie może być odpalana lub używana w pobliżu osób lub zwierząt.

Nie używać piły, będąc zmęczonym lub zdekoncentrowanym, lub, jeśli reakcje zaburzone są poprzez przyjęcie alkoholu lub leków.

Nieostrożność może prowadzić do poważnych skaleczeń.

Stosować tylko atestowane okulary ochronne.

Stosować atestowane ochrony słuchu.
Stosować dobre rękawice ochronne.

Używać dobrych, przeciw poślizgowych butów z osłonami blaszanymi. Nie pracować nigdy w sandałach lub boso.

Przy obcinaniu gałęzi drzew nosić konieczne atestowany kask ochronny.

Nie ubierać obszernego ubrania lub ozdób.
Nosić długie spodnie w celu ochrony nóg.
Przy długich włosach na głowie stosować odpowiednie nakrycie.

Luźne ubranie, ozdoby i długie włosy mogą zostać chwyczone przez poruszające się części.
Nosić wskazane, mocno dolegające ubranie robocze.

Trzymać z dala od piły części ciała i ubrania podczas jej odpalania lub pracy.

Pamiętać podczas pracy o bezpiecznej i stabilnej pozycji. Unikać przemieszczania się z piłą tyłem z powodu możliwości potknięcia. Unikać nienaturalnych pozycji ciała.

Przy dłuższej pracy z piłą może dojść do zaburzeń krwiotoku w wyniku wibracji (tzw. choroba białego palca). Nie można w tym przypadku podać danych dot. czasu używania piły, gdyż u różnych osób może to być różny czas.

Następujące czynniki mogą wpływać na to zjawisko:

Zaburzenia krwiotoku rąk operatora, niska temperatura na zewnątrz, długi czas pracy z urządzeniem. Z tego powodu zaleca się noszenie rękawic ochronnych i stosowanie regularnych przerw.

Spaliny silników spalinowych są trujące i mogą prowadzić do uduszenia. Piła spalinowa nie może być uruchamiana w zamkniętych lub źle wietrzonych pomieszczeniach.

Zbiornik paliwa napełniać tylko na zewnątrz lub w obszarach odpowiednio przewietrzanych.

Benzyna i jej opary są łatwopalne. Utrzymywać z

dala od materiałów palnych i źródeł ognia, jak np. piece, kominki.

Nie palić tytoniu podczas tankowania lub używania urządzenia.

Rozlaną benzynę osuszyć.

P
L

Piłę uruchamiać z dala od miejsca tankowania. Uważać, aby korek wlewu zbiornika był stale dobrze zamknięty. Kontrolować pod względem przecieków.

Nie otwierać korka i nie tankować w czasie, gdy silnik jest włączony lub urządzenie jest jeszcze gorące.

Korek wlewu otwierać powoli, aby opary benzyny mogły się ulotnić.

Uważać, aby uchwyty były suche, czyste i bez mieszanek benzyny z olejem.

Nie używać urządzenia bez założonego wydechu i osłony wydechu.

Nie dotykać wydechu. Niebezpieczeństwo poparzenia.

Stosować wyłącznie paliwo zalecane w niniejszej instrukcji obsługi.

Benzynę przechowywać tylko w przewidzianych do tego celu pojemnikach, w bezpiecznym miejscu.

Zawsze wyłączać urządzenie przed jego odłożeniem.

Pracować tylko przy świetle dziennym lub przy dobrym, sztucznym oświetleniu.

Przed każdym użyciem urządzenie należy wrywkowo sprawdzić pod kątem prawidłowego funkcjonowania.

Sprawdzić, czy wszystkie połączenia śrubowe są prawidłowo dokręcone.

Urządzenie trzymać zawsze dwoma rękami.

Sprawdzać przed każdym użyciem urządzenie i jego wyposażenie dodatkowe oraz osłony pod względem zużycia i w danym przypadku oddać do przeprowadzenia niezbędnych napraw. Nigdy nie odłączać urządzeń zabezpieczających. Nie używać urządzenia, jeśli zauważone zostaną uszkodzenia lub ślady zużycia.

Utrzymywać narzędzia w czystości i sprawne, aby móc lepiej pracować.

Utrzymywać urządzenie podczas pracy w wystarczającym odstępnie od własnego ciała.

Przy przerwach w pracy lub jego zmianie urządzenie zawsze wyłączać, poczekać do zatrzymania łańcucha i wyłączyć silnik.

Nigdy nie pozostawiać urządzenia w miejscu pracy bez opieki. Podczas przerwy w pracy przechowywać urządzenie w bezpiecznym miejscu.

Nie należy odwracać uwagi osób pracujących piłą. Mogą stracić w ten sposób kontrolę nad narzędziem.

Nigdy nie używać urządzenia w deszczu, w mokrym lub wilgotnym środowisku i nie przechowywać na wolnym powietrzu.

Jeśli urządzenie się zmoczy, odczekać do całkowitego wyschnięcia przed rozpoczęciem kolejnej pracy.

Nie przeciążać urządzenia i nie przeprowadzać żadnych prac, do których urządzenie nie jest przeznaczone.

Pamiętać, aby otwory wlotowe powietrza zawsze były czyste.

Przechowywać urządzenie z dala od dzieci. Przechowywać urządzenie w suchym i bezpiecznym miejscu.

Po uderzeniu lub innym uszkodzeniu sprawdzić maszynę pod kątem uszkodzeń.

Stosować tylko wyposażenie dodatkowe zalecane przez producenta.

Urządzenie może naprawiać jedynie wykwalifikowany personel przy użyciu oryginalnych części zamiennych. W ten sposób gwarantuje się, że bezpieczeństwo urządzenia zostanie zachowane.

Nie używać nigdy piły w pobliżu substancji zapalnych lub gazów, w mokrym lub wilgotnym środowisku. W przypadku niezastosowania się do tych wskazówek istnieje zagrożenie pożarem lub eksplozją.

Nigdy nie pozostawiać urządzenia podczas pracy bez nadzoru.

Nieostrożność może prowadzić do poważnych skaleczeń.

Pracować wyłącznie we właściwym oświetleniu. Ponoszą Państwo odpowiedzialność za bezpieczeństwo w swoim otoczeniu roboczym. Utrzymywać narzędzia w czystości i sprawne, aby móc lepiej pracować.

Utrzymywać urządzenie podczas pracy w wystarczającym odstępnie od własnego ciała.

Nigdy nie pozostawiać urządzenia w miejscu pracy bez opieki. Podczas przerw w pracy przechowywać urządzenie w bezpiecznym miejscu.

Przy zmianie miejsca pracy urządzenie konieczne wyłączyć.

Nie należy odwracać uwagi osób pracujących piłą.

Mogą stracić w ten sposób kontrolę nad narzędziem.

Nigdy nie używać urządzenia w deszczu, w mokrym lub wilgotnym środowisku i nie przechowywać na wolnym powietrzu.

Jeśli urządzenie się zmoczy, odczekać do całkowitego wyschnięcia przed rozpoczęciem kolejnej pracy.

Chronić urządzenie przed deszczem i wilgocią. Przy pracującym silniku trzymać piłę zawsze dwoma rękami.

Użyć ogranicznika przy każdym cięciu jako punktu przyłożenia, rozpoczynać cięcie zawsze przy pracującej piłe.

Przeprowadzić cięcie w taki sposób, aby piła nie zakleszczyła się w drzewie.

Szczególnie uważać na napięte gałęzie.

Urządzenie wyciągać z drzewa jedynie przy pracującym łańcuchu.

Nie ciąć powyżej ramienia lub jedną ręką. Stojąc na zboczu być skierowanym przy pracy zawsze w dół.

Przy padających drzewach stać zawsze z boku. Zawsze uważać na kierunek upadku odciętych części.

Nigdy nie rozpoczynać ani nie ciąć końcem miecza – niebezpieczeństwo odbicia! Niebezpieczeństwo odbicia powstaje zawsze wtedy, gdy koniec miecza zetknie się z drewnem lub innym przedmiotem. Piła nie daje się wtedy kontrolować i może powrócić z dużą siłą w kierunku operatora.

Zawsze ciąć tylko jedną gałąź na raz. Uważać przy docinaniu na leżące obok pnie. Nie używać urządzenia jako dźwigni do poruszania przedmiotów.

Podczas transportu zakładać ochronę na łańcuch.

Przed uruchomieniem

Sprawdzić urządzenie i łańcuch pod kątem niezawodności funkcjonowania i bezpieczeństwa. Skontrolować poprawność smarowania łańcucha i sprawdzić stan oleju. Sprawdzić napięcie łańcucha i poprawność działania hamulca łańcucha.

Komponenty urządzenia (B1-B2)

1. Prowadnica szynowa
2. Łańcuch tnący
3. Osłona łańcucha
4. Hamulec łańcucha/osłona ręki
5. Ogranicznik
6. Osłonie koła łańcuchowego
7. Bolec-/ Śruba prowadnicy szynowej
8. Śruba nastawcza łańcucha
9. Przedni uchwyt
10. Tylny uchwyt
11. Linka startera
12. Korek wlewu oleju
13. Korek wlewu paliwa
14. Wyzwalacz zabezpieczający
15. Klucz do świece
16. Pokrywa filtra powietrza
17. Dźwignia ssania
18. Przełącznik trybu pracy
19. Dźwignia gazu
20. Kanał wypływowy oleju
21. Kanister do mieszania paliwa
22. Śrubokręt
23. Przycisk startera

Montaż (B3-B4)

Łańcuch i prowadnica szynowa łańcucha dostarczane są w stanie niezmontowanym.

Nosić rękawice w celu ochrony przed skaleczeniem przy montażu łańcucha, napinaniu go i ostatecznej kontroli jego napięcia.

Montaż ogranicznika

Założyć ogranicznik (4) przy pomocy dołączonych śrub imbusowych.

Montaż prowadnicy szynowej

- Rozprząc najpierw hamulec łańcucha. Nacisnąć w tym celu na krótko osłonę ręki (4) w kierunku górnego uchwytu.

- Zdjąć osłonę koła łańcuchowego (6) przez otwarcie obydwu śrub prowadnicy szynowej (7).
- Zamontować ogranicznik pazur (5) według rysunku

powyżej, używając klucza do świec zapłonowych.(B31) Umieścić prowadnicę (1) Trzymając na dwie śruby prowadnicy (7).

Montaż łańcucha (B5-B9)

- Wyciągnąć łańcuch (2) i ułożyć w pętlę. Uważać przy tym, aby pazurki tnące ukierunkowane były zgodnie z ruchem wskazówek zegara.

- Przesunąć łańcuch (2) nad sprzęgłem na koło łańcuchowe piły. Należy uważać, aby ogniwa łańcucha leżały dokładnie pomiędzy zębami koła.

- Przełożyć teraz łańcuch (2) przez prowadnicę szynową. Należy uważać, aby ogniwa łańcucha leżały w rowkach prowadnicy szynowej.

Łańcuch wisi teraz w dolnej części prowadnicy szynowej, w dół.

- Teraz założyć ponownie osłonę koła łańcuchowego (3). Uważać, aby czop justujący sięgał w otwór prowadnicy. Tylko w ten sposób można prawidłowo założyć osłonę koła (3).

Uwaga! Łańcuch (2) nie może ześlizgnąć się z prowadnicy szynowej (1).

Ogniwa łańcucha muszą być umieszczone dokładnie pomiędzy zębami koła zapadkowego.

Pin regulacja łańcucha na koło łańcuchowe należy wstawić otwór w prowadnicy.

- Teraz założyć ponownie obydwie śruby prowadnicy szynowej (7). Dokręcić je jednak na tym etapie jedynie siłą palców.

Napinanie łańcucha (B10-B11)

Należy pamiętać, aby śruby prowadnicy (7) do jej ustawienia (1) były dokręcone jedynie siłą palców. W danym przypadku należy je poluzować.

- Aby napiąć łańcuch (2), należy obrócić przy pomocy odpowiedniego śrubokręta śrubę nastawczą łańcucha (8) w kierunku ruchu wskazówek zegara.

- Aby poluzować łańcuch (2), należy obrócić przy pomocy odpowiedniego śrubokręta śrubę nastawczą łańcucha (8) w kierunku przeciwnym do ruchu wskazówek zegara.
Łańcuch (2) jest prawidłowo napięty, jeśli pośrodku prowadnicy szynowej (1) można go unieść na maks. 2 - 3 mm.

- Po regulacji dociągnąć mocno śruby prowadnicy szynowej (7).

Wskazówki

Nowy łańcuch (2) przed pierwszą pracą powinien pochodzić na wolnym biegu ok. 5 min. Po tym czasie należy sprawdzić, czy łańcuch jest prawidłowo napięty i ew. doregulować.

Łańcuch (2) powiększa swój obwód, gdy jest gorący i z tego powodu może zwiśać. Przez to powstaje niebezpieczeństwo, że łańcuch (2) może odskoczyć. Z tego powodu należy doregulować łańcuch (2) przed pierwszym cięciem.

Ponieważ łańcuch (2) napięty podczas gdy był gorący ponownie się skurczy przy ochłodzeniu, to mógłby spowodować za duże napięcie i dlatego po wykonaniu prac należy go poluzować.

UWAGA – napięcie łańcucha (2) należy sprawdzać wielokrotnie w trakcie dnia pracy. Nosić przy tym stare rękawice ochronne.

Z uwagi na to, że prowadnica szynowa (1) poddana jest dużym obciążeniom, szczególnie po stronie tnącej, zaleca się po każdym procesie ostrzenia łańcucha przelożenie stron prowadnicy, aby uniknąć jednostronnego zużycia.

Paliwo (B12)

Używać mieszanki zwykłej benzyny bezołowiowej i oleju silnikowego Spezial-2-Takt w proporcji 40:1.

Uwaga: Nie stosować innych mieszanek oraz czystej benzyny.

Nie stosować paliwa starszego niż 2-3 miesiące. Przy dłuższych przerwach opróżnić zbiornik, a

przed rozpoczęciem pracy ponownie napełnić.

Benzyne mieszać w stosunku 40:1 Przykład:

1 litr benzyny, 40 ccm oleju

5 litrów benzyny, 100 ccm oleju

Tankowanie

- Odkręcić korek wlewu (13) powoli, aby ciśnienie opar benzyny mogło bezpiecznie się wyrównać.

- Napełnić mieszanką do silników dwutaktowych 40:1 przy pomocy lejka i mocno dokręcić ponownie korek (13).

Smarowanie łańcucha (B13-B15)

Piła łańcuchowa dostarczana jest bez napełnienia. Odkręcić korek wlewu oleju (12). Napełnić olejem biodegradowalnym do łańcuchów budowlanych. Nigdy nie stosować oleju z recyklingu lub przerobionego. Uważać, aby do zbiornika oleju nie dostał się brud.

Nie używać piły bez oleju. Jeśli piła pracuje bez oleju, cały łańcuch ulega w krótkim czasie uszkodzeniu. Skontrolować przed każdym rozpoczęciem pracy stan oleju smarowania łańcucha.

Sprawdzić automatyczną funkcję smarowania łańcucha, trzymając koniec włączanej piły nad papierem leżącym na podłodze. Utrzymywać bezpieczny odstęp! Jeśli na papierze pokażą się przybierające na sile plamy oleju, automatyka smarowania działa poprawnie.

Ustawianie ilości podawania oleju smarowniczego łańcucha następuje przy pomocy przycisku dozującego, znajdującego się na spodniej stronie piły gdy łańcuch tnący jest uruchomiony.

Uważać zawsze na to, aby kanał wypływu oleju (20) był zawsze czysty. Przeczyścić w razie potrzeby cienkim przedmiotem (np. wykałaczką do zębów, zapalką).

Przeostroga:

Nie próbuj regulować przepływu oleju z pompy oleju. Ponieważ została dostosowana w optymalnym położeniu, zanim opuścił fabrykę.

Silnik/Hamulec łańcucha (B16)

Niniejsza piła wyposażona jest dla bezpieczeństwa operatora w hamulec łańcucha. Przy odbijającej piłę przednia osłona ręki (4) uderza w dłoń i uruchamia zatrzymanie łańcucha.

P Aby uruchomić ponownie piłę należy silnie nacisnąć osłonę ręki (4) do tyłu, do przedniego uchwytu.

Łańcuch zatrzyma się najpóźniej po 0,12 sekundy. Od czasu do czasu należy przeprowadzić test tej funkcji.

W tym celu złożyć do przodu osłonę ręki (4) i na krótko włączyć piłę. Łańcuch nie może się poruszyć. Osłonę ręki pociągnąć w kierunku do ciała. Łańcuch pracuje po włączeniu.

Wskazówki dotyczące urządzenia

Kontrolować regularnie piłę pod kątem uszkodzeń.

Zwracać uwagę na niezawodne i zgodne z zadaniem działanie wszystkich części.

Zwrócić uwagę, aby wszystkie części były prawidłowo zamontowane i pracowały niezawodnie.

Części uszkodzone należy natychmiast oddać do warsztatu, do naprawy.

Utrzymanie w ruchu piły i jej wyłączenie (B17-B19)

Sprawdzić, czy hamulec łańcucha (4) stoi w tylnej pozycji.

Zdjąć osłonę ochronną z prowadnicy i łańcucha. Piły nie wolno uruchamiać, jeśli prowadnica (1) i łańcuch (2) nie zostały prawidłowo zamontowane. Przełącznik zapłonu (WŁ./WYŁ.) (18) ustawić w górnej pozycji (WŁ.).

Naciskać lekko przycisk startera (23), aż nie będzie już żadnych widocznych bąbelków (około 5-6 razy).

Dźwignię dławika (Choke) (17) wyciągnąć. Oprzeć piłę na twardym gruncie, prowadnica i łańcuch nie mogą stykać się z żadnymi przedmiotami.

Przytrzymać piłę nogą za dolny uchwyt.

Lewą ręką mocno chwycić przedni uchwyt, a prawą energicznie pociągnąć za linkę rozrusznika.

W ten sposób do silnika dostarczone zostaje paliwo.

Ponownie pociągnąć linkę startera, aż silnik zaskoczy.

Po odpaleniu silnika linkę puścić wolno. Silnik rozgrzać z lekko.

Jeśli pojawią się podejrzane odgłosy lub wibracje, piłę należy natychmiast wyłączyć.

Aby wyłączyć piłę na koniec pracy należy wyciągnąć dźwignię dławika (17) i pozostawić silnik na chodzie przez chwilę. Następnie ustawić Przesuń przełącznik sterowania (18) w dół do "STOP". i odczekać, aż łańcuch stanie. Po zatrzymaniu łańcucha piły należy sprawdzić prowadnicę pod względem czystości.

Przed rozpoczęciem pracy należy sprawdzić, czy łańcuch jest wystarczająco dobrze smarowany. Sprawdzać na średnich obrotach, czy olej lekko przyska przez łańcuch. W tym celu piłę pochylić lekko prowadnicą do przodu. Jeśli po minucie widać plamę oleju, to znak, że smarowanie łańcucha działa prawidłowo.

Ustawianie ilości oleju następuje przyciskiem obrotowym na spodzie piły. MAX więcej oleju, MIN mniej oleju.

Olej smary i paliwo powinny zużywać się mniej więcej w tym samym tempie. Przy uzupełnianiu paliwa uzupełniać także olej.

Użycie piły (B20)

Po przeprowadzeniu powyżej opisanych czynności regulacyjnych piła nadaje się do użycia. Przed każdym uruchomieniem należy sprawdzić

niezawodność funkcjonowania hamulca łańcucha.

W tym celu, trzymając piłę poziomo puścić przedni uchwyt, aby piła uderzyła w pień lub materiał do cięcia. Wysokość cięcia piły zależy od długości prowadnicy szynowej piły. Jeśli hamulec nie zadziała, piłę należy oddać do warsztatu w celu regulacji lub naprawy. Jeśli hamulec zadziała, należy wyciągnąć całkowicie dźwignię dławika (10), aby silnik pracował na wolnych obrotach, w przeciwnym wypadku przy chodzącym silniku będzie się grzać zablokowana tarcz sprzęgła.

Może to doprowadzić do uszkodzenia silnika i sprzęgła.

Osoby pracujące piłą po raz pierwszy powinny zasięgnąć przed rozpoczęciem pracy rady doświadczonego operatora co do sposobu pracy piłą oraz przestrzegania zasad bezpieczeństwa. Dla bezpieczeństwa własnego pierwsze prace piłą przy cięciu drewna należy przeprowadzać na koźle do cięcia.

Stosować podstawowe zasady BHP podczas pracy.

Należy się zawsze liczyć z możliwością odbicia piły w kierunku operatora. Odbicie może się przydarzyć wtedy, gdy piła napotka na przeszkodę w drewnie. Aby zminimalizować to ryzyko, należy:

Uważać na położenie końcówki prowadnicy podczas cięcia.

Nie ciąć przednią ćwiertnią prowadnicy.
Ciąć wyłącznie dolną częścią łańcucha na prowadnicy.

Przy przepiłowywaniu drewna dolny ząb ogranicznika (5) może służyć jako punkt obrotu piły.

UWAGA: Materiał do cięcia opracowywać wyłącznie przy pracującym łańcuchu.

Nieruchomy łańcuch nie może być uruchamiany po położeniu go na materiale do cięcia.

Przy cięciu nie podnosić piły powyżej ramion.

Nigdy nie stać po stronie cięcia, unikając w ten sposób ryzyka skaleczenia przez odbicie piły.

W czasie procesu cięcia piłę należy zawsze trzymać dwoma rękami.

Sprawdzić, czy łańcuch jest prawidłowo naostrzony i napięty.

Wskazówki dotyczące pracy (B21-B27)

Należy przestrzegać wszystkich przepisów BHP. Nie ciąć nigdy luźną lub tępą piłą.

Urządzenie wyciągać z ciętego materiału jedynie przy pracującym łańcuchu.

Uważać przy podcinaniu ściętych drzew, że pień może być naprężony.

Pień na stronie zewnętrznej jest naprężony. Drzewo może odbić w górę.

Pień na stronie dolnej jest naprężony. Drzewo może odbić w dół.

Gruby pień jest mocno naprężony. Drzewo może z niebывалą siłą odbić.

Drzewo na boku jest naprężone. Drzewo może odbić w kierunku do boku.

Jeśli możliwe, używać przyrządu do napinania (np. koźła do piłowania).

Ciąć wyłącznie drewno lub przedmioty drewniane.

Zwracać uwagę na ciała obce, takie jak gwoździe lub kamienie. W kontakcie z łańcuchem mogą zostać przez niego zabrane i uszkodzić go.

Przy docinaniu drewna stosować na drewnie ogranicznik (5). Zatapiać w drewnie przy pracującej piłę. Prowadzenie piły przednim uchwytem, a tylnym ściąganie piły do góry.

Ogranicznik może posłużyć tutaj jako punkt obrotu. Aby osadzić należy nacisnąć lekko na przedni uchwyt i pociągnąć piłę trochę do tyłu. Ustawić ogranicznik trochę głębiej i ponownie pociągnąć w górę.

P
L

Przy cięciu wzdłużnym kąta nachylenia musi być bardziej płaski. Nie mogą tu użyć ogranicznika należy szczególnie uważać. Niebezpieczeństwo odbicia piły!

Niebezpieczeństwo odbicia powstaje zawsze wtedy, gdy koniec miecza zetknie się z drewnem lub innym przedmiotem. Piła nie daje się wtedy kontrolować i może powrócić z dużą siłą w kierunku operatora.

Ciąć w miarę możliwości zawsze dolną częścią prowadnicy, bowiem przy cięciu górną, podczas zaklinowania, piła może odbić w kierunku operatora.

Podczas obcinania gałęzi z pnia podparć piłę w miarę możliwości na pniu.

Szczególne środki ostrożności podczas ścinania drzew:

Ścinanie drzew jest nadzwyczaj niebezpieczne i należy się go wyuczyć. Jeśli operator nie wyuczył się ścinania drzew, nie powinien tego przeprowadzać. Należy najpierw zapisać się na odpowiedni kurs szkoleniowy.

Nie ścinać nigdy drzew, których średnica jest większa od długości prowadnicy.

Opadające drzewo może zabrać ze sobą inne. Planować zawsze podwójną długość drzewa jako strefę zagrożenia (obszar ścinki). Uważać na linie telefoniczne i energetyczne.

Przed podjęciem ścinania należy zaplanować drogę ewakuacyjną i przygotować ją. Droga ewakuacyjna musi być planowana w kierunku przeciwnym do oczekiwanego upadku drzewa.

W obszarze ścinania nie mogą się znajdować widzowie, zwierzęta lub przeszkody.

W przypadku zaklinowania piły w drzewie w żadnym przypadku nie starać się jej uwolnić na pracującym silniku. Użyć klinów drewnianych do uwolnienia piły.

Obliczyć najpierw kierunek upadku, biorąc pod uwagę ciężar korony i kierunek wiatru. Uważać, aby piła przy zetknięciu się z drzewem była uruchomiona. Wykonać w drzewie nacięcie po stronie, na którą ma upaść (A). To nacięcie nadaje pniu kierunek. Sprawdzić ponownie kierunek upadku. Jeśli wystąpi konieczność korekty, wykonywać nacięcie zawsze na pełnej szerokości. Należy zawołać „Uwaga, ścinanie drzewa”
Ciąć teraz po przeciwnej stronie nacięcia (B). Należy ciąć na poziomie powyżej nacięcia. We właściwym czasie osadzać kliny w miejscu cięcia.

Pozostawić występ (C). Zadziała jak zawias. Jeśli występ zostanie przepiłowany, drzewo upadnie w sposób niekontrolowany.

Nigdy nie podcinać dookoła drzewa, lecz obkładać klinami.

Podczas upadania drzewa odsunąć się. Obserwować obszar korony drzewa. Odczekać, aż korona po upadku uspokoi ruchy.

Nigdy nie ścinać drzew, jeśli nie można dojrzeć szczegółów otoczenia wycinki (deszcz, śnieg, mgła lub zaciemnienie).

Nigdy nie ścinać drzew, jeśli z powodu silnego wiatru miejsce upadku drzewa nie jest pewne. Drzewa ścinać tylko wtedy, gdy operator posiada absolutnie pewną pozycję.

Leżące drzewa lub gałęzie mogą być napięte. Wykonać najpierw cięcie odprężające, następnie cięcie oddzielające.

Uwaga: Po obsługiwaniu pilarkę przy pełnym obciążeniu przez dłuższy czas, należy nie uruchamiać silnika bez obciążenia na chwilę, aż powietrze chłodzące odbiera

większość ciepła. W ten sposób będzie uniknąć znacznie więcej ciepła zebrane i uniknąć napęd przegrzewać. Po piłowanie pracy. Trzeba poluzować łańcuch piły, jeśli jest napięty w temperaturze roboczej. Ponieważ łańcuch piły będzie skurczonej w procesie chłodzenia i spowodować uszkodzenie wału korbowego i łożysko, jeśli nie osłabła.

Czyszczenie i konserwacja (B28-B30)

Łańcuch tnący

Konserwować piłę i prowadnicę szynową. Piłę (2) od czasu do czasu, w zależności od potrzeb, napiąć.

Prowadnicę (1) po dłuższym czasie używania i przy zmianie łańcucha (2) odwracać. W ten sposób wyrównuje się zużycie rowków po stronie cięcia na mieczu.

Ostrzenie

Piła łańcuchowa (2) powinna być konserwowana w wyspecjalizowanym zakładzie.

Pielęgnacja filtra powietrza

Czyścić po każdym użyciu piły.

Kurz i frakcja grubsza mogą być usunięte z filtra przez uderzenie jego ramą o coś twardszego.

Kratkę filtra czyścić w benzynie ekstrakcyjnej. Przed założeniem dobrze osuszyć.

Zanieczyszczenia z kratki filtra mogą być usuwane przy pomocy sprężonego powietrza.

Wymiana i pielęgnacja świecy zapłonowej

W celu wymiany świecy zapłonowej odkręcić pokrywę filtra powietrza (16) i wyciągnąć filtr. Zdjąć gumową osłonę i wykręcić świecę, stosując dołączony do zestawu klucz (19).

Sprawdzić stan elektrod świecy. Elektrody zabrudzone przeczyszczyć drucianą szczotką. Jeśli nie da się elektrod wyczyścić, należy wymienić świecę na nową.

Stan świecy kontrolować raz w miesiącu. Odstęp pomiędzy elektrodami powinien wynosić 0,5 do 0,6 mm. W razie potrzeby skorygować ustawienie.

Utrzymanie w ruchu oraz czyszczenie instalacji olejowej

Czyszczenie szczeliny i kanału olejowego w prowadnicy należy przeprowadzać po każdym użyciu piły, aby móc zagwarantować jej bezpieczną pracę.

Po zdjęciu części bocznej (3) i prowadnicy (2), sprawdzić stan szczeliny (18) i w razie zanieczyszczeń usunąć miękkim przedmiotem.

Zdjąć łańcuch (2) z prowadnicy (1). Wyczyścić prowadnicę z brudu i wiórów.

Wyczyścić rowek prowadzenia w szynie i otwór olejowy (18). Koło zębate kierujące na końcu prowadnicy przesmarować kilkoma kroplami oleju (A) aby łatwo się obracało.

Rowek prowadzenia w mieczu (1) podlega zużyciu. Z tego względu niezbędne jest obracanie co jakiś czas prowadnicy, aby uzyskać równomierne zużywanie. Kontrolować regularnie formę tego rowku. Jeśli rowek ma taką formę jak na Rys, to prowadnicę należy wymienić.

Zużycie prowadnicy można sprawdzić, kładąc na niej linijkę z nałożonym łańcuchem. Jeśli linijka nie dolega do prowadnicy, oznacza to, że stan rowka jest prawidłowy. W innym przypadku wymienić prowadnicę.

Pielęgnacja ożebrowania filtra powietrza

Zebrane wokół żeber cylindra zanieczyszczenia mogą doprowadzić do przegrzania silnika. Co jakiś czas sprawdzać odstęp pomiędzy żebrami cylindra. W tym celu zdjąć pokrywę filtra powietrza (2), wyciągnąć filtr i wykręcić świecę. Odkręcić śruby pokrywy cylindra i zdjąć pokrywę. Przeczyszczyć szczeliny pomiędzy żebrami cylindra

i ponownie złożyć piętę, uważając na poprawne ułożenie przewodu elektrycznego i pozostałych przewodów.

Regulacja świecy zapłonowej

Przynajmniej raz w roku lub przy słabym odpalaniu skontrolować odstęp elektrod na świecy.

P
L

Prawidłowy kontakt wynosi 0,5 - 0,6 mm.

- Odczekać do schłodzenia silnika.
- Zdjąć pokrywę filtra powietrza (16).
- Ściągnąć fajkę świecy. i odkręcić świecę dotychczasowym do urządzenia kluczem do świec (19).
- Przy nadmiernym zużyciu lub nagarze świecę wymienić na nową. Silny nagar na świecy może być spowodowany przez: za duży udział oleju w mieszance paliwowej, złą jakość, przestarzałą mieszankę paliwową lub zapchany filtr powietrza.

- Wkręcić świecę ręcznie, cały gwint (uniknąć zakleszczenia).
- Dokręcić świecę mocno kluczem do świec.
- Stosując klucz dynamometryczny dokręcać momentem 12-15 Nm.
- Założyć fajkę na świecy.
- Ponownie założyć pokrywę filtra powietrza.

Smarowanie łańcucha

paliwa można sprawdzić przez wziernik na zbiorniku paliwa.

Ważne: należy wypełnić zbiornik oleju przed tankowaniem zbiornika paliwa za każdym razem.

Dane techniczne

Pojemność skokowa silnika:	45,1 cm ³
Max. moc silnika:	1,8 kW
Objętość zbiornika oleju do smarowania łańcucha:	500 cm ³
Objętość zbiornika paliwa:	240 cm ³
Długość cięcia:	360 mm
Rodzaj świecy zapłonowej:	L8RTF(NHSP LD); L8RTC (Torch); L8RTF(BOSCH)

Masa (Bez i łańcucha, zbiornik pusty):	5,6 kg
Poziom hałas:	102,78 dB(A), k=2,5 dB(A)
Poziom ciśnienia:	110,07 dB(A), k=2,5 dB(A)
Wibracje (wg ISO 22867):	
Max. uchwyt przedni:	5.650 m/s ² , K = 1,5 m/s ²
Max. tylny uchwyt:	6.027 m/s ² , K = 1,5 m/s ²
Maks. długość listwy:	16"
Podziałka łańcucha:	9,525 mm
Szablon łańcucha:	1,27 mm (0,05")
Sprocket:	7 zębów X 9,525 mm
Maksymalne obroty na biegu jałowym:	2700-3400 min ⁻¹
Maksymalna prędkość:	11000 min ⁻¹
Typ łańcucha:	Oregon 91P055X (for 16 ")
Typ listwy:	Oregon 160SDEA095 (for 16 ")

Poziom szumu przy pracy może przekroczyć 113 dB.

Naprawy

Należy używać tylko akcesoriów i części zamiennych zalecanych przez producenta. Jeśli mimo naszej kontroli jakości i Waszych zabiegów pielęgnacyjnych maszyna miałaby ulec awarii, to naprawę należy zlecić autoryzowanemu fachowcowi.

Ochrona środowiska



Maszyny, akcesoriów i opakowania nie należy wyrzucać po prostu do śmieci, lecz do odpowiednich pojemników, umożliwiających ich recykling.

Działanie takie przyczynia się do ochrony naszego środowiska naturalnego.

Ryzyko resztkowe

Nawet jeśli używa się narzędzia jest zawsze występuje pewne ryzyko, że nie może być wykluczone. Od charakteru i konstrukcji narzędzia, następujące potencjalne zagrożenia mogą pochodzić:

- Kontakt z niezabezpieczonej sieci (kawałki);
- Dotarcie do biegania Piła łańcuchowa (cut szkody);
- Nieoczekiwany, nagły ruch szyny prowadzącej (kawałki);
- Wymywanie elementów łańcucha;
- Wymywanie części ciętego materiału;
- Utrata słuchu, jeśli nie ma przepisana ochrona słuchu

nosi;

- Wdychanie materiału do cięcia;
- Ryzyko odbicia;
- To urządzenie wytwarza pole elektromagnetyczne podczas pracy! Pole to może kolidować z aktywnych lub pasywnych implantów medycznych w pewnych okolicznościach!

Aby zmniejszyć ryzyko poważnych lub śmiertelnych obrażeń, zalecamy osobom implantów medycznych lekarza i producenta implantu medycznego konsultacje przed użyciem instrumentu!

P
L

zakłócenie pracy	możliwa przyczyna	środki zaradcze
Silnik przerywa.	Złe ustawienia gaźnika	Zlecić ustawienie gaźnika fachowcowi lub prosimy o kontakt z serwisem.
Urządzenie odpala, ale silnik ma mało mocy..	Złe ustawienie dźwigni ssania Zanieczyszczony filtr powietrza Nieprawidłowe ustawienia gaźnika	Ponowne uruchomienie z prawidłowo ustawioną dźwignią ssania Usunąć filtr piankowy, przemyć wodą z mydłem i ponownie założyć. Zlecić ustawienie gaźnika fachowcowi
Urządzenie nie odpala, albo odpala, ale nie chodzi.	Zła procedura odpalania Nieprawidłowe ustawienia gaźnika Nagar na świecy zapłonowej	Patrz instrukcje do „Start przy zimnym silniku”. Zlecić ustawienie gaźnika fachowcowi Przeczyścić świecę, skorygować odstęp elektrod lub wymienić świecę.
Silnik pracuje nieregularnie.	Nieprawidłowa odległość elektrod na świecy Wypalone elektrody na świecy	Przeczyścić świecę, skorygować odstęp elektrod – idealnie 0,5 - 0,6 mm, lub wymienić świecę.
Nadmierne dymienie	Nieprawidłowe ustawienia gaźnika Niewłaściwa mieszanka paliwowa	Zlecić ustawienie gaźnika fachowcowi Opróżnić zbiornik, zatankować prawidłową mieszankę paliwową do silników dwutaktowych 40:1

Sigurnosne upute i upozorenja



Prije uporabe pažljivo pročitajte priručnik s uputama.



Tijekom uporabe održavajte minimalnu udaljenost od 15 m između uređaja i drugih osoba.



Nosite odgovarajuće zaštitne slušalice za uši, zaštitnu kacigu za glavu i zaštitne naočale.



Nosite čvrstu obuću u kojoj vam se neće sklizati.



Nosite kvalitetne i čvrste rukavice.



Nosite kvalitetno i čvrsto radno odijelo.



Emisije su toksične i mogu uzrokovati asfiksiju.



VAŽNO. Rizik od požara. Benzin i benzinske pare iznimno su zapaljive.



UPOZORENJE: Ne koristite drobilicu na kiši ili u vlažnim uvjetima. Zaštite je od vlage.



Zaštite se od povratnog trzaja pile. Tijekom uporabe motornu pilu držite čvrsto s obje ruke.



Držite pila s desne strane na stražnje ručke i lijeve ruke na prednjem ručkom.



Ne dodirujte vrući prigušivač ili cilindar. Možete se opeći. Ti se dijelovi jako zagriju tijekom rada uređaja. Kada se uređaj isključi, oni ostaju vrući kratko vrijeme dok se potpuno ne ohlade.



Kočnica lanca je **OTKOČENA** (lanac se može pomicati) kada JE **POLUGA KOČNICE** **POVUČENA UNATRAG** I

ZAKLJUČANA.

Kočnica lanca je **ZAKOČENA** (lanac je zaustavljen) kada je poluga kočnice pomaknuta prema naprijed. Tada se lanac ne može pomicati.



Razina jakosti zvuka L_{WA} : 113 dB(A)



Lagano pritisnite gumb primer često dovoljno je nema više mjehurića su vidljivi (Cca. 5-6 puta).



Ovaj uređaj u skladu je sa propisanim sigurnosnim propisima za benzinske uređaje.

Nepravilna uporaba može rezultirati osobnim ozljedama i oštećenjima imovine. Osobe koje nisu upoznate s priručnikom za uporabu ne smiju koristiti uređaj. Priručnik s uputama za uporabu čuvajte na sigurnom mjestu. Djeci i mlađim osobama nije dozvoljeno koristiti ovaj uređaj.

H
R

Pravilna uporaba

Ovaj uređaj dizajniran je isključivo za piljenje drva, npr. debla, grana, daska, itd.

Ako se koristi u bilo koje druge svrhe ili ako se na njemu vrše modifikacije, proizvođač ne snosi nikakvu odgovornost.

Pročitajte sigurnosne upute, upute za sastavljanje i za upravljanje uređajem te opće propise za sprječavanje nezgoda.

Sigurnosne upute

Motornu pilu nemojte uključivati ili koristiti u blizini drugih ljudi ili životinja.

Uređaj nemojte koristiti ako ste umorni, rastreseni ili ako su vaše reakcije usporene i oslabljenje zbog konzumiranja alkohola ili lijekova. Nepažljivost može rezultirati teškim ozljedama. Nosite odobrene zaštitne naočale.

Nosite odobrene zaštitne slušalice za uši.

Nosite kvalitetne rukavice.

Nosite kvalitetnu radnu obuću u kojoj se ne skliže i koja ima sigurnosnu čeličnu kavicu na prstima. Nikada ne koristite uređaj kada nosite sandale ili kada ste bosonogi. Prilikom krčenja šume stalno nosite odobrenu zaštitnu kacigu.

Ne nosite široku odjeću ili nakit.

Nosite dugačke hlače kako biste zaštitili noge.

Ako imate dugu kosu, nosite pokrivalo za glavu.

Široka odjeća, nakit i duga kosa mogu zapeti za pomične dijelove.

Nosite odgovarajuće usko radno odijelo.

Prilikom uključivanja motora i tijekom rada motora dijelove tijela i odjeću držite podalje od motorne pile.

Tijekom rada s pilom uvijek stojite na čvrstoj i sigurnoj površini. Ne hodajte unatrag kada nosite uređaj kako se ne biste spotaknuli. Ne zauzimajte nepravilne položaje tijela tijekom rada s motornom pilom.

Ako koristite motornu pilu dulje vremensko razdoblje, vibriranje može uzrokovati probleme s cirkulacijom (bolest bijelih prstiju). Nije moguće dati precizne detalje o trajanju uporabe kod svakog pojedinačnog slučaja jer se ono razlikuje od osobe do osobe. Sljedeći faktori mogu utjecati na ovaj fenomen: problemi s cirkulacijom ruku korisnika, niske vanjske temperature i duga razdoblja uporabe. Stoga preporučamo da nosite tople radne rukavice i da redovito uzimate pauze.

Emisije iz motora su toksične i mogu uzrokovati asfiksiju. Motornu pilu ne uključujte u zatvorenim prostorima ili prostorima sa slabom ventilacijom.

Spremnik za gorivo punite samo na otvorenom ili u prostorima s odgovarajućom ventilacijom.

Benzin i benzinske pare iznimno su zapaljive. Uređaj držite podalje od zapaljivih materijala i izvora vatre kao što su vrući štednjaci ili pećnice.

Ne pušite tijekom punjenja s benzinom ili tijekom uporabe uređaja.

Ako se benzin prolio, odmah ga obrišite i ostavite da se osuši. Motornu pilu uključujte samo podalje od mjesta gdje ste je punili benzinom.

Poklopac spremnika za benzin uvijek mora biti čvrsto zatvoren. Provjerite curi li igdje benzin.

Ne otvarajte poklopac spremnika i ne puniti uređaj benzinom dok motor radi ili dok je uređaj vruć.

Polako otvorite poklopac spremnika kako bi benzinske pare mogle izaći.

Ručke održavajte čistima, suhima i bez tragova mješavine benzina.

Uređaj ne koristite bez ispuha. U suprotnom se možete opeći.

Koristite samo ono gorivo koje se preporuča u ovom priručniku. Benzin čuvajte isključivo u spremnicima koji su dizajnirani za tu uporabu. Spremnike s benzinom čuvajte na sigurnom mjestu.

Uređaj isključite prije odlaganja. Radite s njim samo na danjem svjetlu ili pod dobrom umjetnom rasvjetom. Prije uporabe vizualno ga pregledajte.

Provjerite jesu li svi vijci i spojevi čvrsto stegnuti. Uređaj uvijek držite čvrsto s obje ruke.

Prije svake uporabe provjerite ima li znakova oštećenja i istrošenosti na uređaju i njegovim komponentama te izvršite popravke bez odgađanja. Uvijek koristite zaštitnu i sigurnosnu opremu. Uređaj ne koristite ako uočite znakove oštećenja ili istrošenosti.

Alate održavajte čistima i u dobrom radnom stanju kako bi bilo lakše i sigurnije s njima raditi.

Tijekom rada uređaj uvijek držite na odgovarajućoj udaljenosti od vašeg tijela.

Uređaj uvijek isključite tijekom pauza i prilikom promjene lokacije. Pričekajte da se lanac pile zaustavi te isključite motor.

Uređaj nikada ne ostavljajte na radnom mjestu bez nadzora. Tijekom pauza spremite ga na sigurno mjesto.

Osoba koja koristi uređaj ne smije se ometati jer tako može izgubiti kontrolu nad uređajem.

Uređaj nikada ne koristite na kiši i u mokrim ili vlažnim okruženjima te ga ne ostavljajte na otvorenom prostoru.

Ako se uređaj smoči, pričekajte da se potpuno osuši prije sljedeće uporabe.

Uređaj ne preopterećujte i ne koristite ga u svrhe za koje nije namijenjen.

Uklonite svu nečistoću iz ventilacijskih otvora.

Uređaj držite izvan dosega djece. Provjerite ima li na uređaju znakova oštećenja nakon nekih drugih vrsta nezgoda.

Koristite samo dodatke koje preporuča proizvođač. Uređaj smiju popravljati samo osobe educirane za popravak i pritom se smiju koristiti samo originalni rezervni dijelovi.

Time će se sačuvati sigurnost uređaja.

Motornu pilu ne koristite blizu zapaljivih tekućina ili plinova niti u mokroj ili vlažnoj okolini. U suprotnom postoji opasnost od požara ili eksplozije.

Uključeni uređaj nikada ne ostavljajte bez nadzora.

Uređaj koristite samo u uvjetima gdje je rasvjeta odgovarajuća.

Odgovorni ste za sigurnost u području rada. Alate održavajte čistima i u dobrom radnom stanju kako bi bilo lakše i sigurnije s njima raditi.

Tijekom rada uređaj uvijek držite na odgovarajućoj udaljenosti od vašeg tijela.

Uređaj uvijek isključite tijekom pauza i prilikom promjene lokacije. Pričekajte da se lanac pile zaustavi te isključite motor.

Uređaj nikada ne ostavljajte na radnom mjestu bez nadzora. Tijekom pauza spremite ga na sigurno mjesto.

Uređaj uvijek isključite kada mijenjate lokaciju.

Osoba koja koristi uređaj ne smije se ometati jer tako može izgubiti kontrolu nad uređajem.

Uređaj nikada ne koristite na kiši i u mokrim ili vlažnim

okruženjima te ga ne ostavljajte na otvorenom prostoru.

Ako se uređaj smoči, pričekajte da se potpuno osuši prije sljedeće uporabe.

Uređaj zaštitite od kiše i vlage. Pilu uvijek držite s obje ruke kada motor radi.

Za svaki rez koristite graničnik dubine kako biste namjestili pilu i svaki rez započinite s lancem u pokretu.

H Rez dovršite tako da pila ne zapne u drvetu.

R Posebnu pažnju obratite na napregnute grane.

Uređaj izvlačite iz drveta samo dok se lanac još uvijek pomiče.

Nikada ne pilite koristeći jednu ruku iznad visine ramena. Uvijek stojite okomito na nagib kada pilu koristite na usponu.

Uvijek stojite bočno od drveća koje se ruši. Promotrite smjer padanja prepiljenih dijelova. Rez ne započinite koristeći vrh vodilice i nikada ne pilite koristeći vrh vodilice – opasnost od povratnog trzaja!

Uvijek postoji opasnost od povratnog trzaja ako vrh vodilice dotakne drvo ili druge predmete. Tada je nemoguće kontrolirati motornu pilu koja može biti jakom silom odbačena prema osobi koja njome upravlja.

Uvijek pilite granu po granu. Kada podrezujete grane na stablu promatrajte susjedne grane.

Uređaj nikada ne koristite kao polugu za pomicanje predmeta.

Kod prenošenja pile uvijek koristite zaštitnu navlaku za vodilicu.

Prije uporabe

Provjerite jesu li uređaj i lanac u odličnom radnom stanju i jesu li sigurni za uporabu. Provjerite funkcioniranje sustava za podmazivanje lanca i razinu ulja. Provjerite napetost lanca i funkcioniranje kočnice lanca.

Komponente uređaja (B1-B2)

1. Vodilica
2. Lanac pile
3. Zaštitna navlaka za vodilicu
4. Kočnica lanca / Zaštita za ruku
5. Graničnik dubine
6. Poklopac lančanika
7. Vijci i klinovi za vodilicu
8. Vijak za podešavanje lanca
9. Prednja ručka
10. Stražnja ručka
11. Kabel startera
12. Poklopac spremnika za ulje
13. Poklopac spremnika za gorivo
14. Sigurnosni blokator
15. Odvijač za svjećicu
16. Poklopac zračnog filtra
17. Poluga prigušnice
18. Kontrolni prekidač
19. Poluga gasa
20. Cjevčica za dotok ulja
21. Posuda za miješanje goriva
22. Odvijača
23. Gumb primer

Sastavljanje (B3-B4)

Lanac pile i vodilica za lanac ne dolaze u pakiranju sastavljeni.

Prilikom pričvršćivanja i natezanja lanca te tijekom naknadne provjere napetosti lanca nosite rukavice kako se ne biste ozlijedili.

Postavljanje vodilice

- Prvo otpustite kočnicu lanca. Zaštitu za ruke (4) pritisnite prema gornjoj ručki.

- Odvijte dva vijka na vodilici (7) i izvadite poklopac lančanika (6).

- Sastavite pandža zaustaviti (5) prema slici gore pomoću svjećice ključ (B31)

- Zarezani kraj vodilice (1) stavite na dva klina za vodilicu (7).

Postavljanje lanca pile (B5-B9)

- Lanac (2) rasprostirite u petlju. Župce za rezanje usmjerite u smjeru kretanja kazaljke na satu.
- Lanac (2) gurnite preko spojke na lančanik na motornoj pili. Spojeve lanca smjestite točno između župca lančanika.
- Zatim lanac (2) stavite preko vrha vodilice. Spojeve lanca smjestite u utor vodilice.

Lanac pile objesit će se prema dolje na dno vodilice.

- Zatim ponovno stavite poklopac lančanika (6). Usadnik za podešavanje lanca mora ući u rupicu na vodilici. Tek tada ćete ispravno moći pričvrstiti poklopac lančanika (6). **Važno!** Lanac ne smije pasti sa vodilice (1).

Su karike mora biti smještene točno između zuba na župčasti kotač.
Lanac podešavanjem pin mora umetnuti rupu na vodilice.

- Zatim ponovno pričvrstite dva vijka za vodilicu (7). U ovoj fazi ih samo ručno pritegnite.

Natezanje lanca pile (B10-B11)

Prije podešavanja lanca (2) vijke za vodilicu (7) pritegnite samo ručno. Odvijte ih ako je potrebno.

- Pomoću odgovarajućeg odvijača vijak za podešavanje lanca (8) okrenite u smjeru kretanja kazaljke na satu kako biste povećali napetost lanca (2).
- Pomoću odgovarajućeg odvijača okrenite vijak za podešavanje lanca (8) u smjeru suprotnom od smjera kretanja kazaljke na satu kako biste smanjili napetost lanca (2).

Napetost lanca (2) je odgovarajuća ako se on može podići najviše 2-3 mm u središtu vodilice (1).

- Čvrsto pritegnite vijke za vodilicu nakon što ste podesili lanac.

Napomene

Lanac pile (2) ostavite da radi otprilike 5 minuta prije nego što zapravo počnete s njim piliti. Nakon toga opet provjerite napetost lanca i podesite je ako je potrebno.

Kada se zagrije, lanac (2) se širi pa se tako može objesiti. Time se javlja opasnost od ispadanja lanca (2) sa vodilice. Stoga napetost lanca (2) morate podesiti nakon prve uporabe.

Lanac (2) koji je nategnut dok je bio topao skupit će se kad se ohladi i to će rezultirati prekomjernom napetošću lanca. Stoga se napetost lanca mora smanjiti nakon što ste završili s piljenjem.

VAŽNO – napetost lanca (2) mora se provjeriti nekoliko puta tijekom radnog dana. Pritom uvijek treba nositi rukavice.

S obzirom da je vodilica (1) podložna osobito visokom naprezanju u povratnoj točki i na sučelju, preporučamo da se ona okrene svaki put kada oštrite lanac kako se ne bi istrošila na jednoj strani.

Gorivo (B12)

Koristite samo mješavinu bezolovnog običnog benzina i posebnog dvotaktnog motornog ulja u omjeru od 40:1.

Važno: Ne koristite drugačiji omjer mješavine i ne koristite čisti benzin.

Gorivo ne koristite ako je starije od 2-3 mjeseca. Ako ne namjeravate koristiti uređaj dulje vremensko razdoblje, ispraznite spremnik i ponovno ga napunite prije nove uporabe.
Benzin miješajte u omjeru 40:1.

- Dodajte 4,0 litre benzina i 100 ml dvotaktnog ulja u spremnik za gorivo i snažno protresite uređaj kako biste izmiješali te dvije komponente.

Punjenje spremnika za gorivo

- Polako otvorite poklopac spremnika za gorivo (13) kako biste na siguran način ispuštili pritisak i benzinske pare.

- Pomoću lijevka spremnik napunite sa dvotaktnom

H
R

mješavinom omjera 40:1. Zatim zatvorite poklopac spremnika za gorivo (13).

Podmazivanje lanca (B13-B15)

Motorna pila u pakiranju je dostavljena bez ulja.

Skinite poklopac spremnika za ulje (12). Spremnik za ulje napunite s biološki razgradivim uljem za podmazivanje lanca.

H
R

Nikada ne koristite reciklirano ili korišteno ulje.

Pazite da u spremnik za ulje ne uđe nečistoća.

Motornom pilom ne smije se nikada upravljati bez ulja.

Ako motornom pilom upravljate bez ulja cijela će se pila oštetiti u vrlo kratkom vremenskom razdoblju.

Prije nego što počnete raditi s pilom provjerite razinu ulja i sustav za podmazivanje lanca.

Automatsku funkciju sustava za podmazivanje lanca provjerite tako da vrh vodilice stavite na list papira na tlu dok je pila uključena. Budite na sigurnoj udaljenosti! Ako se na papiru može vidjeti povećana mrlja od ulja, automatski sustav za podmazivanje radi ispravno kada je pila radi.

Pazite da u cjevčici za dotok ulja (20) nikada nema nečistoće. Ako je potrebno, čistite je sa tankim predmetom (npr. čačkalicom ili šibicom).

OPREZ:

Nemojte pokušati podesiti protok ulja u pumpu za ulje. Budući da je podešen na optimalan položaj prije nego što je napustio tvornicu.

Kočnica lanca / motora(B16)

Za vašu sigurnost motorna pila opremljena je/kočnicom lanca / motora.

Ako dođe do povratnog trzaja pile, prednja zaštita za ruku (4) udarit će u vašu ruku i aktivirati kočnicu lanca. Zaštitu za ruku snažno povucite unatrag prema prednjoj ručki

kako biste ponovno uključili pilu. Lanac će se zaustaviti nakon najviše 0,1 sekunde.

Povremeno provedite test funkcionalnosti. Zaštitu za ruku (4) gurnite prema naprijed i kratko uključite pilu. Lanac se ne smije početi pomicati. Otpustite zaštitu. Zaštitu za ruku povucite prema vašem tijelu. Lanac će se početi pomicati kada se pila uključi.

Upute za uređaj

Redovito provjeravajte ima li znakova oštećenja na motornoj pili.

Provjerite rade li svi dijelovi ispravno i dobro.

Svi dijelovi moraju se ispravno pričvrstiti kako bi funkcionirali ispravno.

Oštećene dijelove odmah popravite u servisnoj radionici za održavanje i popravke.

Uključivanje motora kada je ohlađen (B17-B19)

- Motornu pilu pažljivo stavite na tlu.
- Kontrolni prekidač (18) na ručki pomaknite prema gore.
- Lagano pritisnite gumb primer (23) često dovoljno je nema više mjehurića su vidljivi (Cca. 5-6 puta).
- Polugu prigušnice (17) povucite prema van što je više moguće.
- Zauzmite čvrst položaj.
- Motornu pilu lijevom rukom pažljivo držite na tlu.
- Desnu nogu stavite na trup stražnje ručke (10).
- Kabel startera (11) povucite prema van što je više moguće 3 do 5 puta.
- Nekoliko puta brzo i snažno do kraja povucite kabel startera (11) sve dok se motor ne uključi.

Zagrijavanje motora za 30 sekundi. Stegnite i otpustite okidač.

Zaustavljanje motora (B19)

- Motor ostavite da uspori do brzine praznog hoda bez gasa.

- Pomaknite prekidač kontrole (18) prema dolje na "STOP".

Uključivanje motora kada je zagrijan

- Ovaj postupak isti je kao i postupak uključivanja motora kada je ohlađen. Međutim, u ovom slučaju poluga priгушnice (17) ostaje potpuno gurnuta unutra.

Upravljanje motornom pilom

Nosite rukavice, zaštitе slušalice za uši, zaštitnu odjeću i kacigu s vizиром.

Nikada ne pilite iznad visine ramena.

Nikada ne pilite jednom rukom.

Nikada ne pilite na ljestvama ili na stablu. Pilite samo dok stojite na čvrstom tlu.

Prije uključivanja motora provjerite sljedeće:

- Je li napetost lanca odgovarajuća;
- Je li spremnik za ulje pun;
- Je li otpuštena kočnica lanca;
- Uključite motornu pilu.

Držanje pile (B20)

Prednju ručku (9) držite u lijevoj ruci, a stražnju ručku (10) u desnoj ruci.

Isključivanje pile

Otpustite polugu gasa (19).

Kontrolni prekidač (18) postavite na položaj „STOP“. Motornu pilu ne spuštajte na tlo sve dok se lanac ne prestane pomicati.

Podešavanje rasplinjača

Rasplinjač je tvornički namješten kako bi se postigla

najbolja moguća izvedba. Ako želite poboljšati postavku, kontaktirajte ovlaštenu servisnu radionicu za održavanje i popravke.

Spremanje

Lanac pile (2) i vodilicu (1) očistite nakon svake uporabe. Stavite zaštitnu navlaku za vodilicu i lanac (3).

Upute za rad (B21-B27)

Poštujte sve sigurnosne propise.

Nikada ne pilite sa opuštenim ili tupim lancem. Uređaj uvijek izvlačite iz drveta dok se lanac još pomiče.

Prilikom rezanja srušenih stabala imajte na umu da deblu može biti pod pritiskom.

Kada je deblu pod pritiskom na vrhu stablo može odskočiti prema gore.

Kada je deblu pod pritiskom na dnu stablo može odskočiti prema dolje.

Koristite spojnicu (na primjer, nogare za sječenje drvа) kad god je to moguće.

Pilu koristite samo za drvo ili drvene predmete. Pazite na strane predmete kao što su čavli ili kamenje. Ako takvi strani predmeti dođu u dodir s lancem u pokretu mogu odskočiti prema van i oštetiti lanac pile.

Prilikom rezanja drvа, graničnik dubine (5) mora biti smješten čvrsto uz drvo i kada se pila pokrene mora uči u drvo. Pilu držite za prednju ručku, a vucite je prema gore pomoću stražnje ručke. U te se svrhe graničnik dubine može koristiti kao okretna točka. Lagano pritisnite prednju ručku i pilu lagano povucite prema natrag kako biste ponovno namjestili položaj graničnika.

Zatim graničnik dubine postavite malo dublje i ručku ponovno povucite prema gore.

Za uzdužne rezove motorna pila mora biti postavljena pod što ravnijim kutom. Budite posebno oprezni kod

takvih rezova s obzirom da se u ovom slučaju graničnik dubine ne može koristiti. Postoji opasnost od povratnog trzaja!

Uvijek postoji opasnost od povratnog trzaja ako vrh vodilice dotakne drvo ili druge predmete. Time se gubi kontrola nad motornom pilom koja može velikom silom odskočiti prema osobi koja njome upravlja.

H
R

Kada god je to moguće uvijek pilite s donjom stranom vodilice s obzirom da će pila odskočiti prema osobi koja njome upravlja ako lanac zapne kada pilite s vrhom vodilice.

Kada god je moguće naslonite se na deblu kada uklanjate grane sa stabla.

Posebne mjere opreza za rušenje stabala:

Rušenje stabala vrlo je opasno i za njegovo izvođenje potrebna je obuka. Ako niste upoznati s načinom rušenja stabala, nemojte ni pokušavati srušiti stablo. Prvo morate za to biti educirani.

Nikada ne pokušavajte srušiti stablo čiji je promjer veći od duljine vodilice. Stablo koje se ruši također može sa sobom srušiti i druga stabla. Za određivanje područja opasnosti uvijek koristite dvostruku duljinu stabla (područje na kojem se ruši). Pazite da ne oštetite strujne i telefonske kablove.

Prije početka rušenja stabla morate isplanirati i raščistiti pravac uzmicanja. Pravac uzmicanja mora biti u smjeru suprotnom od očekivanog smjera padanja stabla.

U području rušenja ne smije biti promatrača, životinja ili prepreka. Ako pila zapne u stablu, nikada je ne pokušavajte osloboditi dok motor radi. Koristite drvene klinove kako biste oslobodili pilu.

Uzimajući u obzir središte gravitacije krošnje i smjer vjetrova, prvo izračunajte smjer padanja stabla. Pobrinite se da motorna pila radi odmah prije nego što dođe u dodir s drvetom.

U stablu napravite zarez (A) u smjeru padanja. Taj zarez navodit će stablo i odrediti smjer u kojem će ono pasti. Ponovno provjerite smjer padanja. U slučaju da morate

ispraviti smjer padanja, ponovno napravite zarez kako biste ga proširili na punu širinu debla.

Viknite „Pazi stablo“!

Zatim stablo koje rušite (B) pilite na strani stabla koja se nalazi nasuprot zarezima. Počnite piliti iznad dna zarezima. Odmah stavite klinove u rez. Ostavite trak prijeloma (C) koji će djelovati kao zglobovi. Ako prepilite trak prijeloma, stablo će padati nekontrolirano.

Stablo nikada ne prepilite do kraja već ga srušite pomoću klinova.

Odmaknite se kada se stablo ruši. Provjerite područje krošnje. Pričekajte dok se krošnja ne prestane tresti.

Nikada ne rušite stabla ako više ne možete vidjeti sve detalje u području rušenja (zbog kiše, snijega, magle ili sumraka).

Nikada ne rušite stabla ako zbog jakih vjetrova ne možete kontrolirati smjer padanja.

Stabla rušite samo ako imate potpuno sigurno uporište. Srušena stabla ili grane mogu biti pod pritiskom. Napravite rez kako biste prvo smanjili taj pritisak, a zatim napravite stvarni rez.

Oprez: Nakon radile pilu pod punim opterećenjem za dugo vremena, treba pustiti da motor radi u praznom hodu za neko vrijeme, dok se zrak za hlađenje oduzima najveći dio topline. Na taj način, da će se izbjeći mnogo više topline prikupljene i izbjegavanja pogonski mehanizam pregrijavanja.

Nakon piljenja rad. Trebate olabavi lanac ukoliko je nategnut na radnoj temperaturi. Budući da je pila će biti smanjeno u procesu hlađenja i to će oštetiti radilice i ležaja ako nije usporio.

Servisiranje i održavanje (B28-B30)

Lanac pile

Servisiranje lanca pile i vodilice
S vremena na vrijeme po potrebi podesite napetost lanca pile (2).

Vodilicu (1) okrenite nakon dugotrajne uporabe i kada mijenjate lanac pile (2). Time ćete nadoknaditi trošenje na utoru na oštroj strani vodilice.

Oštrenje lanca pile

Lanac pile (2) treba servisirati educirani stručnjak.

Zračni filtar

Nakon dugotrajne uporabe trebate očistiti zračni filtar. Prašina i pelud blokirati će pore spužvastog filtra.

- Skinite poklopac zračnog filtra (16) i zračni filtar operite u blagoj sapunastoj otopini. Važno: ne koristite benzin ili otapala.

- Filtar osušite prije sljedeće uporabe.

Oštećeni zračni filtar mora se odmah zamijeniti kako se ne bi smanjio radni vijek motor.

Plastične dijelove čistite vlažnom krpom. Ne koristite sredstva za čišćenje, otapala ili oštre predmete. Redovito četkom uklanjajte nakupine prašine iz ventilacijskih otvora i pokretnih dijelova.

Podešavanje svječiće

Barem jednom godišnje ili kada se motor teško uključuje provjerite razmak elektrode na svječići. Točan razmak između udubine i kontakta je 0,25"/0,63 mm.

- Pričekajte dok se motor potpuno ne ohladi.

- Skinite poklopac zračnog filtra.

- Skinite poklopac sa svječiće. Svječiću odvijte pomoću odvijača za svječiću.

- Ako se elektroda prekomjerno istrošila ili ako je obložena tvrdim naslagama, svječića se mora zamijeniti s novom jednakom svječićom. Prevelika količina ulja u mješavini goriva, loša kvaliteta ulja, prestara mješavina benzina ili zapriječenost zračnog filtra mogu uzrokovati slaganje tvrdih naslaga na svječići.

- Ručno uvijte svječiću u navoje (ne preskačite navoj).
- Zatim svječiću pritegnite odvijačem za svječiću.

- Ako koristite momentni ključ, zakretni moment pritezanja je 12-15 Nm.

- Zatim na svječiću pravilno pričvrstite njen poklopac.

Ponovno stavite poklopac zračnog filtra.

Podmazivanje lanca

Gorivo se može provjeriti kroz prozorčiću na spremniku za gorivo.

Važno: molimo vas napuniti spremnik ulja prije punjenja spremnika goriva svaki put.

Tehnički podaci

Dvotaktni motor sa zračnim hlađenjem	SPS1E43F3
Zapremnina motora:	45,1 cm ³
Max. snaga motora:	1,8 kW
Kapacitet spremnika:	500 cm ³
Volumen dotoka ulja:	240 cm ³
Duljina rezanja:	360 mm
Svječića:	L8RTF(NHSP LD); L8RTC (Torch); L8RTF(BOSCH)
Težina (bez vodilice i lanca, prazni spremnik):	5,6 kg
Razina buke:	102,78 dB(A), k=2,5 dB(A)
Maksimalna razina buke:	110,07 dB(A), k=2,5 dB(A)
Vibracija (prema ISO 22867):	
Max. prednja ručka:	5.650 m/s ² , k = 1,5 m/s ²
Max. zadnja ručka:	6.027 m/s ² , k = 1,5 m/s ²
Maksimalna duljina vodilice:	16"
Razmak na lancu:	9,525 mm
Kalup lanca:	1,27 mm (0,05")
Lančanik:	7 zupca x 9,525 mm
Maksimalna brzina praznog hoda:	2700-3400 min ⁻¹
Maksimalna brzina:	11000 min ⁻¹
Vrsta lanca:	Oregon 91P055X (for 16 ")
Vrsta vodilice:	Oregon 160SDEA095 (for 16 ")
Razina buke rada može premašivati	113 dB.

H
R

Popravci

Koristite samo dodatne i rezervne dijelove koje preporuča proizvođač. Ako se uređaj pokvari unatoč našim kvalitetnim kontrolama i vašem održavanju, samo ga stručni električar smije popravljati.

Zaštita okoliša

H
R




Uređaj, dodatne dijelove i pakiranje nemojte samo baciti u koš za smeće već provjerite mogu li se reciklirati. S malo truda možete učiniti puno dobrog za naš okoliš.

Preostali rizici

Čak i kada se pravilno koristi u alat je uvijek neki rezidualni rizik da se ne može isključiti iz prirode i dizajn alata, sljedeći potencijalni rizici mogu biti izvedeni.:

- Kontakt s nezaštićeni lanca (posjekotine);
- Prisutan u vođenju vidio lanac (smanjiti ozljede);
- Neočekivano, nagli pokreti vodilice (posjekotine);
- Izbacivanje dijelova lanca;
- Izbacivanje dijelova koji se treba rezati;
- Umanjenje sluha, ako ne postoji propisana zaštita sluha nosi;
- Udisanje za proizvod koji se reže;
- Opasnost od povratnog udarca;
- Ovaj uređaj stvara elektromagnetsko polje tijekom rada
Ovo polje može ometati aktivne ili pasivne medicinske implantate pod određenim uvjetima!
Kako bi se smanjio rizik od teških ili smrtonosnih ozljeda, preporučujemo osobe s medicinskim implantatima svojim liječnikom i proizvođačem medicinskih implantata konzultirana prije instrument koristi!

Problem	Možuci uzrok	Rješenje
Motor se isključuje.	Neispravno postavljen rasplinjač.	Stručnjak mora podesiti rasplinjač ili obratite se servisu.
Motor se uključuje, ali ima jako malo snage.	Neispravno postavljena poluga prigušnice. Zračni filter je prljav. Neispravno postavljen rasplinjač.	Postavite ga na  . Skinite spužvasti filter, očistite ga sapunastom otopinom, osušite ga i zatim ga ponovno stavite. Stručnjak mora podesiti rasplinjač.
Motor se ne može uključiti ili se uključiti pa se opet isključi.	Nepravilni postupak uključivanja. Neispravno postavljen rasplinjač. Naslage čađe na svjećici.	Slijedite upute u poglavlju „Uključivanje motora kada je ohlađen“. Stručnjak mora podesiti rasplinjač. Očistite svjećicu, ispravite razmak elektrode ili zamijenite svjećicu.
Motor radi nejednoliko.	Neispravni razmak elektrode na svjećici. Izgorijela svjećica.	Očistite svjećicu, ispravite razmak elektrode (idealno 0,25" / 0,63 mm) ili zamijenite svjećicu.
Stvara se previše dima.	Neispravno postavljen rasplinjač. Nepravilna mješavina goriva.	Stručnjak mora podesiti rasplinjač. Ispraznite spremnik te ga ponovno napunite sa ispravnom mješavinom: dvotaktna mješavina u omjeru 40:1.

Veiligheidsinstructies en waarschuwingen



Voor ingebruikname de gebruiksaanwijzing lezen!



Let tijdens het gebruik op een minimale afstand van 15 m tussen de machine en andere personen!



Goedgekeurde gehoorsbescherming, hoofdbescherming en veiligheidsbril dragen!



Antislip en resistente schoenen dragen!



Goede en resistente handschoenen dragen!



Goede en resistente werkkleding dragen!



De ontstane uitlaatgassen zijn giftig en hebben een verstikkende uitwerking!



LET OP Brandgevaar!
Benzine en benzinedampen zijn licht ontvlambaar!



WAARSCHUWING: de kettingzaag in de regen of vochtige omstandigheden niet gebruiken. Beschermen tegen vocht.



Bescherm uzelf tegen zaag terugslag. Houd de kettingzaag stevig met beide handen tijdens het gebruik.



Houd de kettingzaag met de rechterhand op het achterste handvat en uw linkerhand op het voorste handvat.



Ernstige brandwonden bij contact met de hete uitlaat of cilinder, omdat die onderdelen zijn in de werking van de motor bij hoge temperaturen. Zelfs na het uitschakelen van de stroom deze componenten nog een tijdje warm.



De kettingrem is uitgeschakeld (keten kan bewegen) wanneer remhendel naar achteren wordt getrokken en vergrendeld.

De kettingrem is betrokken (keten wordt gestopt) wanneer remhendel is in voorste stand. Je moet niet in staat zijn om keten te verplaatsen.



Geluidsniveau L_{WA} : 113 dB (A)



Druk voorzichtig op de ontstekingsknop oft genoeg heeft geen luchtballen meer zichtbaar zijn (Ong. 5-6 keer).



Dit apparaat voldoet aan de voorgeschreven veiligheidsbepalingen voor apparaten die op benzine werken. Lees de gebruiksaanwijzing aandachtig door voor u het apparaat in gebruik neemt.

Onjuist gebruik kan leiden tot schade aan personen en voorwerpen. Personen die niet met de handleiding vertrouwd zijn, mogen het apparaat niet bedienen. Bewaar de gebruiksaanwijzing zorgvuldig.

Kinderen en jongeren mogen het apparaat niet gebruiken.

Onjuist gebruik

Uitsluitend voor het zagen van hout, bv. stammen, takken, planken enz.

Bij onjuist gebruik evenals bij wijzigingen aan de machine aanvaardt de fabrikant geen enkele aansprakelijkheid.

Neem eveneens de veiligheidsinstructies in acht, de montage- en bedieningshandleiding en bovendien de algemeen geldende ongevalpreventievoorschriften.

Veiligheidsinstructies

De kettingzaag op benzine mag in de buurt van personen of dieren noch gestart, noch gebruikt worden.

Gebruik het apparaat niet wanneer u vermoeid of ongeconcentreerd bent of uw reactievermogen door inname van alcohol of medicijnen aangetast is.

Onoplettendheid kan tot ernstige letsels leiden.

Gebruik een goedgekeurde veiligheidsbril.
Gebruik een goedgekeurde gehoorsbescherming.
Gebruik goede veiligheidshandschoenen.
Gebruik goede antislip werkschoenen met stalen veiligheidsneuzen.

Werk nooit met sandalen of zelfs op blote voeten met het apparaat. Draag bij snoeiwerkzaamheden absoluut een goedgekeurde veiligheidshelm.

Draag geen wijde kleding of juwelen. Draag een lange broek ter bescherming van uw benen. Gebruik bij lange haren een hoofdbedekking.

Loszittende kleding, juwelen en lange haren kunnen door bewegende delen gegrepen worden.

Draag geschikte, nauw aansluitende werkkleding.

Houd lichaamsdelen en kledingsstukken uit de buurt van de kettingzaag wanneer u de motor start of laat draaien.

Let er tijdens het werk op dat u stevig en veilig staat. Vermijd achteruitlopen met het oog op gevaar voor struikelen.

Vermijd abnormale lichaamshoudingen. Bij langdurig gebruik van de kettingzaag op benzine kan een door trillingen veroorzaakte doorbloedingsstoring optreden ("dode vingers"). Informatie met betrekking tot de gebruiksduur kan in dit geval niet verstrekt worden, aangezien dit van persoon tot persoon verschillend kan zijn. De volgende factoren kunnen dit verschijnsel beïnvloeden:

Doorbloedingsstoringsen van de handen van de gebruiker, lage buitentemperaturen, lange gebruikstijden. Daarom wordt het aanbevolen om warme werkhandschoenen te dragen en regelmatige werkpauzes in te lassen.

De uitlaatgassen van verbrandingsmotoren zijn giftig en kunnen onder andere tot verstikking leiden. De kettingzaag op benzine mag in gesloten of slecht geventileerde ruimten niet in gebruik genomen worden.

Vul de brandstoftank enkel in de openlucht of in voldoende geventileerde zones.

Benzine en benzinedampen zijn licht ontvlambaar. Houd de benzine ver uit de buurt van ontvlambare materialen en ontstekingsbronnen zoals bv. kachels of fornuizen. Rook niet terwijl u het apparaat bijtankt of bedient.

Droog eventueel gemorste benzine direct op.

Start de kettingzaag op benzine enkel op een plek die zich uit de buurt van de tankplaats bevindt.

Let erop dat het deksel van het tankreservoir steeds goed afgesloten is. Let op eventuele lekplekken.

N
L

Terwijl de motor draait of wanneer de machine warm is, mag de tankdop niet geopend worden, noch mag brandstof worden bijgevoerd.

De tankdop langzaam openen, zodat benzinedampen kunnen ontsnappen.

Let erop dat de grepen droog, schoon en vrij van benzinemengsels zijn.

Gebruik het apparaat niet zonder uitlaat en correct geïnstalleerde uitlaatbescherming.

Raak de uitlaat niet aan. Gevaar voor brandwonden.

Gebruik enkel de in de handleiding aanbevolen brandstof.

Bewaar benzine enkel in daartoe voorziene containers op een veilige plek.

Schakel het apparaat steeds uit voordat u het wegbergt.

Werk enkel bij daglicht of goede kunstmatige verlichting.

Voer voor elk gebruik een visuele controle van het apparaat uit.
Controleer of alle schroeven en verbindingstukken stevig aangedraaid zijn.

Houd het apparaat steeds met beide handen vast.

Controleer voor elk gebruik het apparaat en zijn onderdelen en veiligheidsinrichtingen op beschadigingen of slijtage en laat indien nodig de noodzakelijke reparaties uitvoeren. Zet beveiliging en veiligheidsinrichtingen nooit buiten werking. Gebruik het apparaat niet wanneer beschadigingen of slijtageverschijnselen zich voordoen.

Houd de gereedschappen schoon en in goed functionerende toestand, om beter en veiliger te kunnen werken.

Houd het apparaat tijdens het werken steeds op voldoende afstand van het lichaam.

Bij werkonderbrekingen en wissel van standplaats het apparaat steeds uitschakelen, wachten totdat de

kettingzaag stilstaat en de motor uitzetten.

Het apparaat nooit zonder toezicht op de werkplek laten liggen. Bewaar het apparaat bij werkonderbrekingen op een veilige plaats. Personen die met de machine bezig zijn, mogen niet afgeleid worden. Daardoor kunnen zij de controle over het werktuig verliezen.

Gebruik het apparaat nooit bij regen, in een vochtige of natte omgeving, en bewaar het niet in de openlucht.

Indien het apparaat nat wordt, wacht dan totdat het helemaal gedroogd is voor u het opnieuw gebruikt.

Overbelast de machine niet en voer geen werkzaamheden uit waartoe het apparaat niet voorzien is.

Let erop dat de ventilatieopeningen steeds vrij van verontreinigingen zijn.

Bewaar het apparaat buiten bereik van kinderen.

Bewaar het apparaat op een veilige en droge plaats.

Na een botsing of andere beschadigingen: controleer de machine op beschadigingen. Gebruik enkel door de fabrikant aanbevolen onderdelen.

Laat uw apparaat enkel door gekwalificeerd personeel en enkel met originele vervangingsonderdelen repareren. Hiermee wordt verzekerd dat de veiligheid van het apparaat behouden blijft.

Gebruik de kettingzaag niet in de nabijheid van brandbare vloeistoffen of gassen en een natte of vochtige omgeving.

Bij niet naleven bestaat gevaar voor brand of ontploffing.

Laat het apparaat niet zonder toezicht draaien.

Werk uitsluitend in passende verlichtingsomstandigheden.

U draagt de verantwoordelijkheid voor de veiligheid in uw werkomgeving.

Houd de gereedschappen schoon en in goed functionerende toestand, om beter en veiliger te kunnen werken.

Draag geschikte werkkleding zoals werkhandschoenen, veiligheidshelm, veiligheidsbril of beschermde oogkleppen en een lange broek uit stevig materiaal.

Houd het apparaat tijdens werkzaamheden steeds op voldoende afstand tot het lichaam.

Het apparaat nooit zonder toezicht op de werkplek laten liggen. Bewaar het apparaat tijdens werkonderbrekingen op een veilige plaats. Bij wissel van de werkplaats het apparaat absoluut uitschakelen.

Personen die met de machine bezig zijn, mogen niet afgeleid worden.

Daardoor kunnen zij de controle over het werktuig verliezen.

Gebruik het apparaat nooit bij regen, in een vochtige of natte omgeving en bewaar het niet in de openlucht.

Indien het apparaat nat wordt, wacht dan totdat het helemaal gedroogd is voor u het opnieuw gebruikt.

Apparaat tegen regen en vochtigheid beschermen.

Bij draaiende motor de zaag steeds met beide handen vasthouden.

De klem bij elke snede als aanvangspunt gebruiken; steeds met de snede beginnen wanneer de zaagketting loopt.

Voer de snede dusdanig uit dat de zaag niet in het hout blijft steken.

Let vooral op takken die onder spanning staan.

Apparaat enkel met een lopende zaagketting uit het hout trekken.

Nooit boven schouderhoogte of met één hand zagen.

Bij een aflopende ondergrond steeds in de richting van de helling staan.

Bij vallende bomen moet u zich steeds zijdelings ervan bevinden.

Let steeds op de valrichting van de afgezaagde delen.

Begin een snede nooit met de spits van de zaag en zaag nooit met de spits van de zaag — gevaar voor terugslag!

Er is altijd gevaar voor terugslag wanneer de spits van de zaag hout of andere voorwerpen aanraakt. De kettingzaag wordt daardoor oncontroleerbaar en kan met grote kracht in de richting van de bediener gestoten worden.

Altijd slechts één tak per keer doorzagen. Let bij het op maat snijden op takken die ernaast liggen.

Het apparaat niet als hefboom voor het bewegen van voorwerpen gebruiken.

Bij transport altijd de kettingbescherming gebruiken.

Voor ingebruikname

Controleer apparaat en ketting op onberispelijk functioneren en een gebruiksveilige toestand. Controleer het functioneren van de kettingsmering en het oliepeil. Controleer de kettingspanning en het functioneren van de kettingrem.

Apparaatonderdelen (B1-B2)

1. Geleidingsspoor
2. Zaagketting
3. Kettingbescherming
4. Kettingrem/handbescherming
5. Klemaanslag
6. Afdekking van het kettingwiel
7. Bouten/schroeven van het geleidingsspoor
8. Aanpassingsschroef voor de ketting
9. Voorste handgreep
10. Achterste handgreep
11. Startkoord

12. Olietankdeksel
13. Benzinetankdeksel
14. Veiligheidsschakelaar
15. Bougiesleutel
16. Luchtfilterafdekking
17. Chokehendel
18. Werkingsschakelaar
19. Gashendel
20. Olie-uitloopkanaal
21. Jerrycan voor het mengen van brandstof
22. Schroevendraaier
23. Ontstekingsknop

N
L

Montage (B3-B4)

Zaagketting en het geleidingsspoor voor de ketting worden in niet gemonteerde toestand geleverd.

Ter bescherming tegen letsels draagt u handschoenen bij de montage van de zaagketting, bij het aanspannen van de ketting en bij de daaropvolgende controle van de kettingspanning.

Montage geleidingsrail

- Ontkoppel eerst de kettingrem. Druk hiervoor de handbescherming (4) in de richting van de bovenste handgreep.
- Verwijder de afdekking van het kettingwiel (6) door de beide geleidingsspoorschroeven (7) te openen.
- Monteer de klauw stop (5) volgens de foto hierboven met behulp van de bougiesleutel.(B31)
- Zet het geleidingsspoor (1) met het gekartelde uiteinde op de twee geleidingsspoorbouten (7).

Montage van de zaagketting (B5-B9)

- Leg de ketting (2) in een lus. Let erop dat de snijdklauwen rechtsom liggen.
- Schuif de ketting (2) over de koppeling op het kettingwiel van de motorzaag. Let erop dat de schakels van de ketting exact tussen de tanden van het kettingwiel liggen.
- Leg nu de ketting (2) over de spits van het spoor. Let erop dat de schakels van de ketting (2) in de groef van

het geleidingsspoor liggen.

De zaagketting hangt in dit stadium onder aan het geleidingsspoor naar beneden.

- Breng nu de kettingwielafdekking (6) opnieuw aan. Let erop dat de doorn voor de kettingkalibratie in het gat van het geleidingsspoor steekt. Alleen zo kan de afdekking van het kettingwiel (6) naar behoren gemonteerd worden. Let op! De ketting (2) mag niet van het geleidingsspoor (1) afglijden.

De schakels moet precies tussen de tanden van het tandwiel worden geplaatst.

De keten aanpassing pin op het tandwiel moet het gat op het zaagblad in te voegen.

- Breng nu de twee geleidingsspoorschroeven (7) weer aan. Draai ze echter in deze stap slechts met de hand vast.

Spannen van de zaagketting (B10-B11)

Let erop dat de geleidingsspoorschroeven (7) voor het kalibreren van de zaagketting (2) slechts met de hand gespannen mogen zijn. Maak ze eventueel los.

- Om de zaagketting (2) te spannen, draait u met een passende schroevendraaier de kalibratieschroef (8) van de ketting linksom.
- De zaagketting (2) is correct gespannen wanneer ze in het midden van het geleidingsspoor (1) maximaal 2 - 3 mm opgeheven kan worden.
- Draai na kalibratie van de zaagketting de schroeven van het geleidingsspoor stevig aan.

Instructies

Laat een nieuwe zaagketting (2) voor de eerste zaagwerkzaamheden ca. 5 minuten inlopen. Na het inlopen dient de kettingspanning opnieuw gecontroleerd te worden en eventueel bijgesteld. De zaagketting (2) zet in warme toestand uit en kan doorhangen. Hierdoor bestaat het gevaar dat de zaagketting (2) eraf springt. Span daarom na de eerste zaagwerkzaamheden de ketting (2) opnieuw.

Omdat een in warme toestand gespannen zaagketting (2) zich tijdens het afkoelen samentrekt en een te hoge kettingspanning teweeg zou brengen, moet ze na beëindiging van de zaagwerkzaamheden absoluut weer ontspannen worden.

LET OP — De spanning van de ketting (2) dient in de loop van de werkdag meermaals gecontroleerd te worden. Draag hierbij steeds beschermingshandschoenen.

Omdat het geleidingsspoor (1) aan de omleiding en aan de snijkant aan een zeer hoge belasting is blootgesteld, strekt het tot aanbeveling, ter vermijding van eenzijdige slijtage het geleidingsspoor na elk aanscherpen van de ketting om te draaien.

Brandstof (B12)

Gebruik enkel een mengsel van loodvrije (gewone) benzine en speciale 2-taktmotorolie in een mengverhouding van 40 op 1.

Let op: gebruik geen andere mengverhouding en geen zuivere benzine. Gebruik geen brandstof die ouder dan 2-3 maanden is.

Bij langere werkpauses de tank legen en voor aanvang van de werkzaamheden opnieuw vullen.

Benzine mengen 40:1

- Giet op 100 ml 2-taktolie in een brandstoftank 4,0 liter benzine en meng beide door krachtig te schudden.

Benzine ingieten

- Schroef het benzinetankdeksel (13) van de tank langzaam los, zodat druk en benzinedampen zonder gevaar kunnen ontsnappen.

- Giet de 2-taktmengeling 40:1 met een trechter erin en schroef het benzinetankdeksel (13) weer stevig vast.

Kettingsmering (B13-B15)

De kettingzaag wordt zonder olie geleverd. Olietankdeksel (12) opendraaien. Olietank met biologisch afbreekbare kettingolie. Nooit gerecyclede olie of oude olie gebruiken. Let erop dat geen vuil in de olietank terecht komt.

Wordt de kettingzaag zonder olie gebruikt, dan wordt het gehele zaaggestel in zeer korte tijd beschadigd.

Controleer voor elk begin van het werk het oliepeil en de kettingsmering.

Controleer de automatische functie van de kettingsmering, door de ingeschakelde zaag met de punt van het zwaard tegen een op de vloer liggend papier te houden.

Voldoende afstand houden! Indien zich op het papier een toenemend oliespoor aftekent, dan functioneert het oliemechanisme wanneer de ketting draait.

Let er steeds op dat het olie-uitloopkanaal (20) altijd vrij van verontreinigingen is. Reinig het indien nodig met een dun voorwerp (bv. tandenstoker, lucifer).

Voorzichtigheid:

Probeer niet om de oliestroom van de oliepomp te passen. Want het is aangepast in de optimale positie voordat het de fabriek verlaat.

Motor/kettingrem (B16)

Deze kettingzaag is voor uw veiligheid met een kettingrem uitgerust.

Bij een terugspringende zaag slaat de voorste handbescherming (4) tegen de hand en activeert de kettingstop. Voor het weer in werking zetten van de zaag de handbescherming (4) krachtig achterwaarts drukken tot aan de voorste handgreep.

De ketting stopt na hoogstens 0,1 seconden. Van tijd tot tijd een functietest uitvoeren. Hiervoor de voorste handbescherming (4) naar voren klappen en de zaag kort inschakelen. De ketting mag niet starten. Handbescherming in de richting van het lichaam trekken. De ketting loopt bij het inschakelen.

Apparaatinstructies

Controleer uw kettingzaag geregeld op beschadigingen.

Let op een onberispelijk en ordentelijk functioneren van alle onderdelen. Let erop dat alle onderdelen naar

behoren gemonteerd moeten zijn om een onberispelijk functioneren te kunnen waarborgen.

Laat beschadigde onderdelen ogenblikkelijk in een werkplaats van de klantendienst repareren.

Start bij koude motor (B17-B19)

- Leg de kettingzaag op benzine veilig op de grond.

- Schuif de bedieningsschakelaar (18) aan de bedieningshandgreep naar boven.

- Druk voorzichtig op de ontstekingsknop (23) oft genoeg heeft geen luchtballen meer zichtbaar zijn (Ong. 5-6 keer).

- Trek de chokehendel (17) helemaal naar buiten.

- Neem een veilige houding aan.

Houd de kettingzaag op benzine met de linkerhand stevig op de grond gedrukt.

- Stap met de rechervoet in de schacht van de achterste handgreep (10).

- Trek het startkoord (11) 3- à 5-maal volledig door.

- Trek het startkoord (11) meermaals snel en krachtig door tot aan het koordeinde, totdat de motor aanslaat.

Laat de motor gedurende 30 seconden. Draai en laat de trekker over.

Motor uitzetten (B19)

- Laat de motor zonder gas te geven naar de nulbelasting terugkeren.

- Beweeg de schakelaar (18) naar beneden naar "STOP".

Start bij warme motor

- Dezelfde procedure als bij een koude motor. De chokehendel (17) blijft hier volledig ingeschoven.

Met de kettingzaag werken: draag handschoenen,

gehoorsbescherming, beschermende kleding en een helm met gezichtsbescherming!

Nooit boven schouderhoogte zagen!

Nooit met één hand zagen!

Nooit op een ladder, in een boom of op een onveilige standplaats zagen!

Vóór ingebruikname controleren:

- Correcte spanning van de zaagketting.

- Is de olietank gevuld?

- Is de kettingrem los?

- Kettingzaag starten.

De zaag leiden (B20)

Omvat met de linkerhand de voorste handgreep (9), met de rechterhand de achterste handgreep (10).

Zaag uitschakelen

Laat de gashendel (19) los. Zet de bedrijfsschakelaar op <<STOP>>. De kettingzaag mag pas na stilstand van de ketting neergelegd worden.

Instelling van de carburator

In de fabriek werd de carburator op optimaal vermogen ingesteld. Indien een verbeterde instelling noodzakelijk is, wendt u zich dan tot een vakwerkplaats.

Opslag

Maak na elke werkzaamheid de zaagketting (2) en het geleidingsspoor (1) schoon.

Breng de kettingbescherming (3) aan.

Arbeidsinstructies (B21-B27)

Alle veiligheidsvoorschriften dienen in acht genomen te worden. Zaag nooit met een losse of botte ketting. De kettingzaag altijd met lopende ketting uit het snijdsel trekken.

Let er bij het zagen van omgevallen bomen op dat de stam onder spanning kan staan.

Stam aan de bovenkant onder spanning: de boom kan naar boven knikken.

Stam aan de onderzijde onder spanning: de boom kan naar onderen knikken.

Gebruik waar mogelijk steeds een spaninrichting (bv. een zaagbok).

Zaag enkel hout of houten voorwerpen. Let op vreemde elementen zoals spijkers of stenen. Deze kunnen bij aanraking van het lopende zaagblad weggeslingerd worden en de zaagketting beschadigen.

Bij het bijsnijden van hout moet de klemaanslag (5) vast tegen het hout gezet worden.

Met lopende zaag in het hout binnendringen. Hierbij leidt u de zaag met de voorste handgreep, en met de achterste handgreep trekt u de zaag naar boven. De klemaanslag dient hierbij als draaipunt. Om er nogmaals over te gaan, drukt u licht op de voorste handgreep en trekt u hierbij de zaag ietwat terug. Zet nu de klemaanslag iets dieper en trekt u opnieuw de handgreep naar boven.

Bij lengtedoorsneden moet de kettingzaag in een zo stomp mogelijke hoek geplaatst worden. Aangezien hier de klemaanslag niet gebruikt kan worden, dient hierbij met bijzondere voorzichtigheid te werk gegaan te worden. Gevaar voor terugslag!

Gevaar voor terugslag bestaat steeds wanneer de spits van het geleidingsspoor met hout of andere voorwerpen in aanraking komt. Hierdoor wordt de kettingzaag oncontroleerbaar en kan met grote kracht in de richting van de bediener gestoten worden.

Zaag indien mogelijk steeds met de onderkant van het spoor, aangezien bij het snijden met de bovenzijde van het spoor in geval van klem raken van de zaagketting de kettingzaag in de richting van de bediener gestoten wordt.

Laat bij het snoeien de kettingzaag indien mogelijk altijd tegen de stam duwen.

Bijzondere voorzorgsmaatregelen bij het vellen van bomen:

Het vellen van bomen is uiterst gevaarlijk en moet

geleerd zijn. Indien u in deze activiteit ongeïfend bent, mag u het niet doen. Leg eerst een cursus af. Vel nooit bomen wier diameter groter dan de lengte van het geleidingsspoor is. Een vallende boom kan andere bomen meetrokken.

Steeds de dubbele boomlengte als gevarezone (velzone) inplannen. Let bovendien op elektriciteits- en telefoonleidingen.

U moet vóór het snijden een vluchtzone plannen en vrijmaken. De vluchtzone moet in de tegengestelde richting van de verwachte valrichting lopen.

Er mogen zich geen toeschouwers, dieren of hindernissen in de valzone bevinden. In geval van klem geraken van de zaag in de boom, nooit proberen de zaag vrij te maken terwijl de motor loopt. Gebruik houten wiggen om de zaag vrij te krijgen.

Bereken eerst de valrichting met inachtnaam van het zwaartepunt van de kruin en de windrichting. Let erop dat de kettingzaag direct voor contact met het hout moet lopen. Zaag in de valrichting een inkerving in de boom (A). Deze valkerf geeft de boom leiding en richting (B25). Controleer de valrichting nogmaals. Indien u de valrichting moet corrigeren, snijdt u de valkerf steeds over de gehele breedte na.

Roep: „Let op, boom valt.“

Voer nu op de tegenoverliggende zijde van de valkerf de velsnede (B) uit. Deze wordt hoger dan de bedding van de valkerf geplaatst.

Zet tijdig wiggen in de velsnede. Handhaaf een breuklijst (C). Deze werkt als een scharnier. Wanneer u de breuklijst doorzaagt, valt de boom ongecontroleerd.

De boom nooit omzagen, maar met de wig omverduwen.

Bij het vallen van de boom achteruitreden. Observeer de kruin. Wacht het uit balans komen van de kruin af. Vel nooit bomen wanneer u details in de velzone niet meer kunt onderscheiden (regen, sneeuw, mist of schemering).

Vel nooit bomen indien wegens sterke wind de valrichting niet gehandhaafd kan worden. Vel bomen

alleen wanneer u absoluut stabiel staat.

Liggende bomen of takken kunnen onder spanning staan. Eerst de ontlastingsnede, dan de scheidingsnede.

Let op: Na het bedienen van de kettingzaag bij volledige belasting voor een lange tijd, moet de motor laten draaien zonder belasting voor een tijdje, totdat de koellucht wegneemt het grootste deel van de warmte. Zo zal vermijden veel warmte verzameld en voorkomen dat het aandrijfmechanisme oververhitten.

Na zaagwerkzaamheden. Noodzaak om de zaagketting verslappen als het wordt gespannen bij werktemperatuur. Omdat de ketting wordt gekrompen in het proces van afkoelen en zal de krukas en lagers beschadigen als het niet verslapt.

Onderhoud en verzorging (B28-B30)

Zaagketting

Zaagketting en geleidingsspoor onderhouden. Zaagketting (2) van tijd tot tijd opnieuw spannen.

Geleidingsspoor (1) na langer gebruik en bij het wisselen van de zaagketting (2) omkeren. Hiermee compenseert u de slijtage van de groef op de snijkant van het zwaard.

Scherpen van de zaagketting

De zaagketting (2) dient u door een vakbedrijf te laten onderhouden.

Luchtfilter

Na langdurig werken dient u de luchtfilter te reinigen. Stof en pollen verstoppen de poriën van de schuimstoffilter.

- Haal de afdekking van de luchtfilter (16) eraf en was de luchtfilter in licht zeepsop. Let op: geen benzine of oplosmiddel.

- Droog de filter voor u hem terugplaatst.

Om de levensduur van de motor niet te verkorten, moet een beschadigde luchtfilter onmiddellijk vervangen

worden. Gebruik voor de reiniging van de kunststofdelen een vochtige doek. Geen schoonmaakmiddelen, oplosmiddelen of scherpe voorwerpen gebruiken.

Maak de ventilatieopeningen en bewegende delen regelmatig vrij van vastzittend stof met een zachte borstel of penseel. Na langdurig werken het geleidingsspoor en de ketting demonteren en met een borstel of penseel reinigen.

Bougie-instelling

Minstens eenmaal per jaar of bij regelmatige slechte start controleert u de elektrodeafstand van de bougie. De correcte afstand tussen massa-elektrode en vonkcontact bedraagt 0,25"/0,63 mm.

- Wacht totdat de motor volledig afgekoeld is.

- Neem de afdekking van de luchtfilter eraf.

- Trek de bougiekap van de bougie af en draai de bougie met een bougiesleutel eruit.

- Bij overmatige slijtage van de elektrode of bij zeer sterke korstvorming moet de bougie door een gelijkwaardige vervangen worden. Sterke korstvorming op de bougie kan veroorzaakt worden door: te hoog olieaandeel in het benzinemengsel, slechte oliekwaliteit, oud geworden benzinemengsel of verstopte luchtfilter.

- Draai de bougie met de hand volledig in de schroefdraad. (Vermijd overhellen.)

- Draai de bougie met een bougiesleutel nu stevig vast. - Bij gebruik van een draaimomentsleutel bedraagt het aanhaalmoment 12-15 Nm.

- Stop de bougiestekker correct op de bougie.

- Breng de luchtfilterafdekking weer aan.

Kettingsmering

de brandstof kan worden gecontroleerd door het kijkglas op de brandstoftank.

Belangrijk: vul het oliereservoir voor het tanken de tank elke keer.

Technische gegevens

Luchtgekoelde 2-taktmotor SPS1E43F3	
Cilinderinhoud:	45,1 cm ³
Max. motorvermogen:	1,8 kW
Tankvolume:	500 cm ³
Vulhoeveelheid olie:	240 cm ³
Snijdlengte:	360 mm
stationair toerental:	2700-3400 min ⁻¹
Maximale snelheid:	11000 min ⁻¹
Saw ketting type:	Oregon 91P055X (for 16 ")
Soort geleiderail:	Oregon 160SDEA095 (for 16 ")
Bougie:	L8RTF(NHSP LD); L8RTC (Torch) ;L8RTF(BOSCH)
Gewicht:	5,6 kg
Geluidsdruk niveau:	102,78 dB(A), k=2,5 dB(A)
Geluidsvermogen niveau:	110,07 dB(A), k=2,5 dB(A)
Vibration (volgens ISO 22867):	
Max. voorste handgreep:	5.650 m/s ² , K = 1,5 m/s ²
Max. achterste handgreep:	6.027 m/s ² , K = 1,5 m/s ²

Het werkgeluid kan 113 dB overschrijden.

Reparaties

Gebruik enkel door de fabrikant aanbevolen toebehoren en vervangingsonderdelen. Indien het toestel ondanks onze kwaliteitscontroles en uw verzorging defect geraakt, laat dan reparaties enkel door een geautoriseerde elektrovakpersoon uitvoeren.

Milieubescherming



Niet zomaar de machine wegdoet, accessoires en de verpakking in de vuilnisbak, maar zorg ervoor dat het kan worden gerecycled. Een kleine hoeveelheid inspanning van uw kant kan veel goed voor ons milieu doen.

Restrisico's

Zelfs bij juist gebruik in de tool is altijd enig resterend risico dat niet kan worden uitgesloten. Uit de aard en het ontwerp van de tool kan de volgende mogelijke gevaren worden afgeleid:


- Contact met de onbeschermd keten (cuts);
 - Het bereiken in de lopende zaagketting (cut letsel);
 - Onverwachte, plotselinge beweging van de geleiderail (cuts);
 - Wegschieten van delen van de keten;
 - Wegschieten van delen van het materiaal te snijden;
 - Vermindering van het gehoor, wanneer er geen voorgeschreven gehoorbescherming wordt gedragen;
 - Het inademen van materiaal te snijden;
 - Gevaar voor terugslag;
 - Dit apparaat produceert een elektromagnetisch veld tijdens het gebruik! Dit veld kan de werking van actieve of passieve medische implantaten onder bepaalde omstandigheden!
- Om het risico op ernstig of fataal letsel te beperken, raden we personen met medische implantaten met hun arts en de fabrikant van het medische implantaat geraadpleegd voordat het instrument wordt gebruikt!

N
L

Milieubescherming

Gooi toestel, toebehoren en verpakking niet eenvoudigweg in de afvallemmer, maar breng ze naar een milieuvriendelijk inzamelpunt voor recycling.

Deze kleine inspanning komt ons milieu ten goede.

Storing	Mogelijke oorzaak	Fout verhelpen
De motor stopt	Verkeerde instelling carburator	De carburator door een vakpersoon laten instellen. of Neem contact op met een service center.
Het toestel springt aan, maar de motor heeft weinig vermogen.	Verkeerde instelling chokehendel	Stel in op  Schuimstoffilter verwijderen, met zeepsop reinigen en droog weer monteren.
	Luchtfilter vervuild	
Het toestel springt niet aan of springt aan, maar draait niet	Verkeerde instelling carburator	De carburator door een vakpersoon laten instellen.
	Verkeerde procedure bij het activeren	Volg de aanwijzingen 'Start bij koude motor'.
	Verkeerde instelling carburator	De carburator door een vakpersoon laten instellen.
De motor draait onregelmatig	Roet op de bougie	Bougie reinigen, de elektrodeafstand corrigeren of bougie plaatsen.
	Verkeerde elektrodeafstand aan bougie	Bougie reinigen, de elektrodeafstand corrigeren, idealiter 0,25"/0,63 mm, of bougie vervangen.
Overmatige rookontwikkeling	Afgebrande bougie	De carburator door een vakpersoon laten instellen.
	Verkeerde instelling carburator	
	Verkeerd brandstofmengsel	Tank ledigen, juist mengsel vullen: 2-taktmengeling 40:1.

Ohutusnõuded ja hoiatused



Enne kasutuselevõttu tutvuge põhjalikult kasutusjuhendiga.



Kasutamise ajal jätke masina ja kõrvaliste isikute vahele vähemalt 15m vahemaa.



Kandke tunnustatud kõrvakaitsmeid, peakaitset ja kaitseprille.



Kandke libisemiskindlaid ja tugevast materjalist jalatseid.



Kandke kõrge kvaliteediga, vastupidavaid kindaid.



Kandke kõrge kvaliteediga, vastupidavaid tööriivaid.



Heitgaasid on mürgised ja võivad põhjustada lämbumist.



TÄHTIS! Tuleoht. Bensiin ja bensiiniaurud on kergesti süttivad.



HOIATUS: Ärge kasutage purustajat vihma käes või märgades oludes. Kaitske seda niiskuse eest.



Kaitske end sae tagasiõõgi eest. Hoidke saagi kasutamise ajal kindlalt, kahe käega.



Sae pidur on VABASTATUD (kett saab liikuda), kui PIDURI HOOB ON TAGASI TÕMMATUD JA LUKUSTATUD. Sae pidur on RAKENDATUD (kett on seisatud), kui piduri hoob on eesmisel asendis. Teil ei peaks olema võimalust ketti liigutada.



Ärge puudutage tulist summutit või silindrit. Te võite põletada saada. Need osad muutuvad töötamise ajal äärmiselt tuliseks. Peale välja lülitamist on need mõnda aega tulised.



Ketpidur on välja lülitatud (kett võib liikuda) kui piduriheelblit tõmmatakse tagasi ja lukustatud.

Ketpidur on sisse lülitatud (kett seiskub), kui piduri hoob on eesmisel asendis. Sa ei peaks olema võimalik liikuda ahelas.



Helivõimsustase LWA:
113 dB(A)



Vajutage õrnalt krunt nuppu nii kaua, kuni mulle enam ei paista (umbes 5-6 korda).

E
E



See masin vastab bensiinimasinatele ettenähtud ohutusnõuetele.
Enne masina käivitamist lugege hoolikalt kasutusjuhendit.

Vale kasutamine võib põhjustada tervise- ja varakahjustusi. Isikutel, kes pole kasutusjuhendiga tuttavad, ei tohi lubada masinat kasutada. Hoidke kasutusjuhendit kindlas paigas.

Lapsed ja noored ei tohi masinat kasutada.

Sobiv kasutus

See masin on mõeldud üksnes puidu – näiteks puutüvede, okste, laudade jne. – saagimiseks. Tootja ei võta endale vastutust, kui seadet kasutatakse mistahes teisel otstarbel või kui sellele tehakse muudatusi.

Tutvuge ka ohutusnõuetega, kokkupanemise ja kasutamise juhistega ning üldiste ohuennetuse eeskirjadega.

Ohutusnõuded

Ärge käivitage ega kasutage mootorsaagi teiste inimeste või loomade läheduses.

Ärge kasutage masinat, kui olete väsinud või hajameelne, või kui teie reaktsioonid on alkoholi või ravimite tarbimise tõttu häiritud. Tähelepanematus võib kaasa tuua rasked vigastused.

Kandke tunnustatud kaitseprille.

Kandke tunnustatud kõrvakaitsmeid.

Kandke hea kvaliteediga kindaid.

Kandke hea kvaliteediga libisemiskindlaid turvaterasina naga töösaapaid. Ärge kunagi masinat kasutage sandaalides või paljajalu olles.

Puulangetustöid tehke kandke pidevalt tunnustatud ohutuskivrit.

Ärge kandke avaraid rõivaid või ehteid.

Kandke jalgade kaitseks pikki pükse.

Kandke peakatet, kui teil on pikad juuksed.

Avarad riided, ehted ja pikad juuksed võivad sattuda liikuvate osade vahele.

Kandke sobivat, liibuvat tööriivastust. Hoidke kehaosad ja riietus mootorsaest selle käivitamise ja sellega töötamise ajal eemal. Töötamise ajal seiske kindlal ja tugeval pinnal. Ärge kõndige masinat käes hoides tagurpidi, nii võite komistada. Ärge töötage ebaloomulikes asendites.

Pikemalt mootorsaagiga töötamine võib esile kutsuda vibratsioonist põhjustatud vereringehäireid (surnud sõrme sündroom). Pole võimalik anda kõigile kehtivaid soovitusi kasutusaja kohta, sest see erineb inimeseti.

Antud nähtust võivad mõjutada järgmised asjaolud: vereringeprobleemid kasutaja kätes, madal välisõhu temperatuur, pikk kasutusaeg. Soovitame kasutada sooje töökindaid ja teha korrapäraseid puhkepause.

Mootori heitgaasid on mürgised ja võivad põhjustada lämbumist. Ärge käivitage mootorsaagi suletud ruumides või vähese ventilatsiooniga aladel.

Täitke kütusepaaki vaid õues või piisava ventilatsiooniga aladel.

Bensiin ja bensiiniaurud on kergesti süttivad. Hoidke neid eemal kergesti süttivatest materjalidest ja süüteallikatest, nagu tulised pliivid või ahjud.

Ärge suitsetage masina kütusega täitmise või kasutamise ajal.

Mahaaetud bensiin pühkige koheselt ära. Käivitage mootorsaag vaid tankimise kohast eemal.

Jälgige, et kütusepaagi kork oleks alati tihedalt suletud. Olge valvel lekete suhtes.

Ärge masina töötamise ajal või siis, kui masin on tuline, kütusepaagi korki avage ega masinat tankige.

Kütusepaagi kork avage aeglaselt, et bensiiniaurud

saaksid väljuda.

Hoidke käepidemed puhtana, kuivana ja kütuseseguvabana.

Ärge kasutage masinat ilma väljalaskeseadmata. Kui te seda nõuannet eirate, siis võite põletada saada.

Kasutage vaid selles käsiraamatus soovitatud kütust. Säilitage kütust vaid selleks ettenähtud anumates ja ohutus kohas.

Enne masina maha panemist lülitage see välja.

Töötage vaid päevavalguse või hea kunstvalguse paistel. Enne masina kasutamist vaadake see üle.

Kontrollige, et kõik kruvid ja liitmikud oleksid tihedalt kinni. Hoidke masinat alati kindlalt, kahe käega.

Igal korral, kui hakkate masinat kasutama, otsige sellelt, selle osadelt ja ohutusvarustuselt vigastuste ja kulumise märke ja laske vajadusel ilma viivituseeta teha remonti. Ärge kunagi muutke kaitse- ja ohutusvarustust mittetoimivaks. Ärge kasutage masinat, kui avastate vigastuste ja kulumise märke.

Hoidke tööriistu puhtana ja heas töökorras, nii on nendega kergem ja ohutum töötada.

Hoidke töötades masinat kehast piisaval kaugusel. Lülitage masin pauside ajaks ja töö asukohta vahetades alati välja. Oodake, kuni mootorsaag seisma jääb ja lülitage mootor välja.

Ärge kunagi jätke masinat töökohale järelevalveta.

Hoidke masinat tööpauside ajal turvalises kohas.

Masinat kasutavaid töötajaid ei tohi häirida. Nad võivad selle tagajärjel kaotada kontrolli masina üle.

Ärge kunagi kasutage masinat vihmasajus, märgades või niisketes oludes, ning ärge hoidke seda väljas. Kui masin peaks märjaks saama, siis enne kasutamist oodake, kuni see on täiesti kuivaks saanud.

Ärge koormake masinat üle ja ärge kasutage seda töödeks, milleks see pole ette nähtud.

Hoolitsege selle eest, et ventilatsiooniavad oleksid alati mustusevabad.

Hoidke masinat laste käeulatuses väljaspool. Otsige masinalt vigastuste märke, kui see on pörutada või muul moel kannatada saanud. Kasutage vaid tootja poolt soovitatud tarvikuid. Laske masinat remontida vaid väljaõpetatud isikutel ja ainult originaalvaruosi kasutades.

See tagab masina ohutuse säilimise.

Ärge kasutage mootorsaagi kergesti süttivate vedelike või gaaside läheduses ega märjas või niiskes keskkonnas. Selle nõude eiramine toob kaasa tulekahju või plahvatuse ohu.

Ärge kunagi jätke masinat järelevalveta käima.

Töötage vaid piisava valgustusega oludes. Teie vastutate turvalisuse eest oma tööpiirkonnas.

Hoidke tööriistu puhtana ja heas töökorras, nii on nendega kergem ja ohutum töötada.

Kandke sobivat tööriivastust: kindaid, turvakiivrit, kaitseprille või näokatet ja tugevast materjalist tehtud pikki pükse.

Töötamise ajal hoidke masin kehast piisaval kaugusel.

Lülitage masin pauside ajaks ja töö asukohta vahetades alati välja. Oodake, kuni mootorsaag seisma jääb ja lülitage mootor välja.

Ärge kunagi jätke masinat töökohale järelevalveta.

Hoidke masinat tööpauside ajal turvalises kohas.

Lülitage masin töö asukohta vahetades alati välja.

Masinat kasutavaid töötajaid ei tohi häirida. Nad võivad selle tagajärjel kaotada kontrolli masina üle.

Ärge kunagi kasutage masinat vihmasajus, märgades või niisketes oludes, ning ärge hoidke seda väljas.

Kui masin peaks märjaks saama, siis enne

E
E

kasutamist oodake, kuni see on täiesti kuivaks saanud.

Kaitske masinat vihmasaju ja niiskuse eest. Hoidke alati saagi kahe käega, kui mootor töötab. Kasutage sõrga sae löike jaoks asukohale seadmiseks ja alustage iga lõiget liikuva ketiga.

Lõpetage lõige niimoodi, et saag ei jääks puu sisse kinni.

Pöörake pinge all olevatele okstele erilist tähelepanu.

Tõmmake saag puu seest välja vaid liikuva ketiga.

E Ärge kunagi saagige selliselt, et üks käsi on
E õlakõrgusest kõrgemal. Kaldus pinnal saagi kasutades seiske alati kallaku suhtes risti.

Seiske alati langeva puu suhtes külje peal. Jälgige ärasaetud osade kukkumise suunda.

Ärge kunagi alustage lõiget plaadi tipuga ja ärge kunagi saagige tipuga – tagasilöögi oht!

Alati, kui plaadi tipp puudutab puitu või teisi asju, on tagasilöögi oht. See muudab mootorsae kontrollimise võimatuks ja selle tagajärjel võib saag tugeva jõuga kasutaja suunas paiskuda.

Lõigake alati ühe oksa haaval. Pange tähele kõrvalasuvaid oksa, kui oksa puu küljest laasite.

Ärge kunagi kasutage masinat asjade liigutamisel kangina.

Mootorsae transportimisel kasutage alati ketikaitset.

Enne kasutamist

Kontrollige masinat ja selle ketti, veendumaks, et need on täielikult töökorras ja nende kasutamine on ohutu. Kontrollige keti õlitamise süsteemi toimimist ja õlitaset. Kontrollige keti pinget ja ketipiduri toimimist.

Masina osad (B1 – B2)

1. Juhtplaat
2. Saekett
3. Ketikaitse
4. Ketipidur / käe kaitsepiire
5. Sõrgtõkesti
6. Ketiratta kate
7. Juhtplaadi poldid / kruvid
8. Ketil reguleerimise kruvi
9. Esikäepide
10. Tagakäepide
11. Käivitusnõör
12. Õlipaagi kork
13. Kütusepaagi kork
14. Ohutusvabasti
15. Süüteküünla padrunvõti
16. Õhu'ltri kate
17. Õhuklapi hoob
18. Toitelüliti
19. Seguklapi hoob
20. Õliväljutuskanal
21. Kütuse segamise kanister
22. Kruvikeeraja
23. Krunt nuppu

Kokku panemine (B3 – B4)

Saekett ja juhtplaat tarnitakse kokku ühendamata kujul.

Selleks, et vigastusi ära hoida, kandke saeketi peale sobitamise, keti pinguldamise ja järgneva ketipinget kontrollimise ajal kindaid.

Juhtplaadi külge ühendamine

- Esmalt ühendage lahti ketipidur. Selleks suruge käe kaitsepiiret (4) ülemise käepideme suunas.

- Eemaldage ketiratta kate (6), vabastades kaks juhtplaadi kinnituskruvi (7).

- Koguge küünis stop (5) vastavalt pildil abil süüteküünal mutrivõti.(B31)

- Asetage juhtplaat (1) sisselõikepoolse osaga kahe juhtplaadi poldi (7) peale.

Saeketi peale panemine (B5 – B9)

- Laotage kett (2) silmusena laiali. Lõikehambad peavad olema suunatud päripäeva.

- Lükake kett (2) üle haakeseadise mootorsael oleva ketirattani. Keti lülid peavad olema täpselt ketiratta hammaste vahele asetatud.

- Nüüd pange kett (2) plaadi tipu ümber. Keti lülid peavad asuma juhtplaadi soones. Sellel hetkel ripub saekett juhtplaadi alaküljes allapoole.

-Nüüd pange ketiratta kate (6) uuesti peale. Veenduge, et keti reguleerimise otsik juhtplaadil olevas augus töötab. Vaid sel juhul on võimalik ketiratta kate (6) õigesti peale sobitada. Tähtis! Kett ei tohi juhtplaadi (1) pealt maha libiseda. kett lingid tuleb paigutada täpselt vahel hambaid hammasratas ratas. keti reguleerimise Tang Keti ratas tuleb sisestada auk juhtplaadi.

- Nüüd ühendage taas kaks juhtplaadi kruvi (7). Sel sammul pinguldage need vaid käsitsi.

Saeketi pinguldamine (B10 – B11)

Veenduge, et saeketi (2) reguleerimiseks mõeldud juhtplaadi kruvid (7) on vaid käsitsi pinguldatud. Vajadusel lõdvendage neid.

- Saeketi (2) pinge suurendamiseks keerake keti reguleerimise kruvi (8) sobiva kruvikeeraja abil päripäeva.

- Saeketi (2) pinge vähendamiseks keerake keti reguleerimise kruvi (8) sobiva kruvikeeraja abil vastupäeva.

- Saekett (2) on õige pingega, kui seda saab juhtplaadi (1) keskosas maksimaalselt 2-3 mm võrra tõsta.

- Pärast saeketi reguleerimist pinguldage

juhtplaadi kruvid.

Märkused

Laske uuel ketil (2) umbes viie minuti vältel joosta, enne kui sellega midagi päriselt saete. Pärast seda kontrollige uuesti saeketi pinget ja vajaduse korral reguleerige seda.

Laske uuel ketil (2) umbes viie minuti vältel joosta, enne kui sellega midagi päriselt saete. Pärast seda kontrollige uuesti saeketi pinget ja vajaduse korral reguleerige seda.

Sooja mõjul saekett (2) paisub ja võib rippu vajuda. See tekitab saeketi (2) juhtplaadilt maha tulemise ohu. Seetõttu peate peale esimese saagimistöö läbiviimist saeketi (2) pinget reguleerima.

Kuna soojana pinguldatud saekett (2) tõmbub jahtudes kokku ja selle tulemuseks oleks ülemäärane ketipinget, tuleb ketipinget pärast saagimistöö lõpetamist vähendada.

TÄHTIS: tööpäeva jooksul tuleb keti (2) pinget korduvalt kontrollida. Seda tehakse kandke alati kindaid.

Kuna juhtplaadile (1) mõjub tagasipöörde- ja liitekohas eriti suur pinget, siis soovime keti igakordse teritamise järel juhtplaati keerata, et vältida selle kulumist ühel küljel.

Kütus (B12)

Kasutage vaid tavalist pliivaba bensiini ja kahetaktilise mootori õli seguvahekorras 40:1.

Tähtis: ärge kasutage teisi seguvahekordi ega puhast bensiini.

Ärge kasutage kütust, mis on vanem kui 2-3 kuud. Pikemate pauside puhul tühjendage paak ja täitke see enne töö alustamist uuesti. Segage bensiin vahekorras 40:1.

- Lisage kütusepaaki 4 liitrit bensiini 100 ml kahetaktilise mootori õli kohta ning segage osised omavahel masinat tugevalt raputades. Kütusepaagi täitmine

- Keerake kütusepaagi kork (13) aeglaselt lahti, et surve ja bensiiniaurud saaksid ohutult väljuda.
- Täitke kütusepaak lehrtrit kasutades kahetaktilise

mootori seguga vahekorras 40:1 ja keerake kütusepaagi kork (13) tagasi oma kohale.

Keti õlitamine (B13- B15)

Mootorsaag tarnitakse ilma õlita.

E Keerake õlipaagi kork (12) lahti. Täitke õlipaak bioloogiliselt laguneva ketiõliga.

Ärge kunagi kasutage ümber töödeldud või juba kasutusel olnud õli.

Hoolitsege selle eest, et õlipaaki ei satuks mustust. Mootorsaagi ei tohi kunagi ilma õlita kasutada.

Mootorsaagi kasutamisel ilma õlita saab kogu saag väga lühikese ajaga kahjustada.

Enne töö alustamist kontrollige õlitaset ja keti õlitamise süsteemi.

Kontrollige keti automaatõlitust, hoides töötavat saagi plaadi otsaga maha asetatud paberilehe suunas. Säilitage ohutu vahemaa! Kui paberil on kasvav õlijalg, siis töötab automaatõlituse süsteem õigesti.

Hoidke õliväljutuskanal (20) mustusevabana. Vajadusel puhastage seda peenikese esemega (näiteks hamba- või tuletikuga).

Ettevaatust:

Ärge püüdke muuta õlikulu õlipump. Sest see on kohandatud optimaalne positsioon enne, kui see lahkus tehastest.

Mootori-/ketipidur (B16)

Teie turvalisuse huvides on mootorsaag varustatud mootori-/ketipiduriga.

Kui saagimisel toimub tagasilöökk, siis lööb esiosa käe kaitsepiire (4) vastu kätt ja aktiveerib ketipiduri. Sae taaskäivitamiseks tõmmake käe kaitsepiire (4) jõuga esikäepideme suunas tagasi. Kett jääb seisma kõige enam 0,1 sekundiga.

Sooritage aeg-ajalt korrasoleku kontroll.

Selleks lükake käe kaitsepiiret (4) ettepoole ja lülitage saag korras sisse. Kett ei tohi liikuma hakata. Vabastage kaitsepiire. Tõmmake see oma keha poole. Saagi sisse lülitamisel hakkab kett liikuma.

Masina juhtnöörid

Otsige mootorsaelt korrapäraste ajavahemike järel vigastuste märke.

Veenduge, et kõik osad töötavad õigesti ja sobivalt.

Selleks, et masin töötaks nagu vaja, peavad kõik osad olema õigesti kokku pandud.

Laske viga saanud osad koheselt klienditeenindustöökojas parandada.

Mootori külmkäivitus (B17 – B19)

- Asetage mootorsaag kindlalt põrandale.

- Liigutage käepidemel olev toitelüliti (18) ülespoole.

- Vajutage õrnalt krunt nuppu (23) nii kaua, kuni mulle enam ei paista (umbes 5-6 korda).

- Tõmmake õhuklapi hoob (17) täielikult välja.

- Võtke sisse turvaline asend.

- Hoidke mootorsaagi vasaku käega kindlalt vastu maad.

- Asetage parem jalg tagumise käepideme (10) avausse.

- Tõmmake käivitusnööri (11) kolm kuni viis korda nii kaugelt kui võimalik välja.

- Tõmmake käivitusnööri (11) mitu korda kiiresti ja jõuga nööri lõpuni välja, kuni mootori käivitumiseni.

Soojendusmootor 30 sekundit. Pinguta ja vabastage päästik.

Mootori seiskamine (B19)

- Laske mootoril vaibuda tühikäigule, ilma drosselduseta.

- Lükake käepidemel olev toitelüliti (18) allapoole, asendisse "STOP".

Mootori käivitamine, kui see on soe

- Toiming on täpselt samasugune nagu mootori külmkäivituse puhul. Erinevuseks on see, et õhuklapi hoob (17) jääb täielikult sisse lükatuks.

Mootorsaaga töötamine

Kandke kindaid, kõrvakaitsmeid, kaitseriietust ja näokattega kiivrit.

Ärge kunagi saagige õlakõrgusest kõrgemal.

Ärge kunagi saagige ühe käega.

Ärge kunagi saagige redelil või puu otsas olles, või kui te ei seis kindlal jalgealusel.

Enne mootori käivitamist tehke läbi alljärgnev kontroll:

- Kas saeketi pinge on õige?

- Kas õlipaak on täidetud?

- Kas ketipidur on vabastatud?

- Käivitage mootorsaag.

Sae hoidmine (B20)

Hoidke esikäepidet (9) vasema käega ja tagakäepidet (10) parema käega.

Sae välja lülitamine

Vabastage seguklapi hoob (19). Viige toitelüliti (18) asendisse "STOP". Ärge pange mootorsaagi maha enne, kui kett pole seisma jäänud.

Karburaatori häälestamine

Karburaator on tehases häälestatud nii, et oleks tagatud parim võimalik sooritus. Kui on vajalik täpsem häälestus, siis võtke ühendust tunnustatud töökojaga.

Hoiustamine

Puhastage saekett (2) ja juhtplaat (1) pärast igat kasutuskorda.

Kinnitage külge ketikaitse (3).

Tööjuhised (B21 – B27)

Järgige kõiki ohutusnõudeid.

Ärge kunagi saagige lõdva või nüri ketiga.

Tõmmake masin alati puu seest välja vaid liikuva ketiga.

Mahalangenud puid lõigates teadke, et puu tüvi võib olla pinge all.

Puutüve ülaosa on pinge all. Puu võib ülespoole hüpata.

Puutüve alaosa on pinge all. Puu võib allapoole hüpata.

Võimaluse korral kasutage alati pingepiirikut (näiteks saepukki).

Kasutage saagi vaid puidu või puidust esemete lõikamiseks. Olge tähelepanelik võõrkehade, nagu naelad või kivid, suhtes. Liikuva saeketiga

kokku puutudes võivad need välja paiskuda, samuti võivad need saeketti vigastada.

Puud lõigates peab sõrgtõkesti (5) kindlalt vastu puud toetuma ja sae käivitamisel peab see puu sisse liikuma. Hoidke saagi esikäepideme abil ja tõmmake saagi ülespoole tagakäepideme abil. Sõrgtõkestit võib kasutada sellel eesmärgil pöördepunktina.

Sõra asukoha muutmiseks vajutate kergelt esikäepidemele ja tõmmake saagi pisut tahapoole. Seejärel asetage sõrgtõkesti veidi sügavamale ja tõmmake siis uuesti käepidet ülespoole.

E Pikisuunaliste lõigete puhul peab mootorsaag olema võimalikult madala nurga all. Kuna sõrgtõkestit pole sel juhul võimalik kasutada, siis olge nende lõigete puhul väga ettevaatlik. Tagasilöögi oht!

Tagasilöögi oht esineb alati, kui plaadi ots satub kokkupuutesse puuga või teiste asjadega. Selle tagajärjel väljub mootorsaag kontrolli alt ja võib suure hooga kasutaja suunas paiskuda.

Võimaluse korral saagige alati plaadi alumise osaga, sest plaadi ülemise osaga saagimise puhul paiskub mootorsaag kasutaja poole, kui saekett kinni jääb.

Puult oksid eemaldades toetage end võimalusel vastu puutüve.

Puude langetamisel tuleb järgida eriettevaatusabinõusid.

Puude langetamine on äärmiselt ohtlik, selle töö jaoks on vaja väljaõpet. Kui te pole selle tööga tuttav, siis ärge proovige seda teha. Peate kõigepealt väljaõppe saama.

Ärge kunagi püüdke langetada puid, mille läbimõõt on suurem kui juhtplaadi pikkus. Langev puu võib teised puud kaasa tõmmata. Ohupiirkonnana (langemisalana) arvestage alati puu kahekordset pikkust. Hooolitsege selle eest, et

te ei rikuks elektri- ja telefoniliine.

Enne, kui alustate puu langetamist, peate kavandama ja vabaks tegema taganemistee. Taganemistee peab asuma oodatavast langemiskiirkonnast vastupidises suunas.

Langemiskiirkonnas ei tohi olla pealtvaatajaid, loomi ega takistusi.

Kui saag puu sisse kinni kiilub, siis ärge püüdke seda vabastada töötava mootoriga. Kasutage saagi vabastamiseks puidust kiilusid.

Kõigepealt arvutage välja langetamise suund, võttes arvesse puu võra massikeset ja tuule suunda. Mootorsaag peab vahetult enne puuga kokku puutumist käima. Saagige kukkumise suunas puusse sisselõige (A). See sisselõige juhib puud ja määrab suuna, mille poole see langeb. Kontrollige veel kord langetamise suunda. Juhul, kui peate langetamise suunda parandama, siis lõigake sisselõige üle, et pikendada see puu tüve laiuks.

Hüüdke: "Ettevaatust, puu langeb!"

Nüüd saagige sisselõike suhtes vastupidisele puu küljele langetuslõige (B). Alustage langetuslõiget sisselõike põhjast kõrgemal.

Asetage langetuslõikesse viivatamata kiilud. Jätke alles hoidesild (C). See toimib liigendina. Kui peaksite hoidesilla läbi lõikama, siis pole võimalik puu langemist kontrollida.

Ärge kunagi puid läbi saagige, langetage need kiilude abil.

Puu langedes astuge tagasi. Jälgige puuvõra. Oodake, kuni võra lõpetab õõsumise.

Ärge langetage puid, kui te pole enam võimeline langetamisalas üksikasju eristama (vihma, lume, udu või videviku tõttu).

Ärge langetage puid, kui te ei saa tugeva tuule tõttu langetamise suunda juhtida.

Langetage puid vaid juhul, kui teil on täiesti kindel jalgealune. Maas lebavad puud või oksad võivad olla pinge all. Tehke kõigepealt löige, mis pinget leevendab, ning alles seejärel tegelik löige.

Ettevaatust: Pärast tegutsenud mootorsae täiskoormusel pikka aega, tuleb lasta mootoril töötada tühikäigul, samas kuni Jahutusõhku võtab ära suure osa soojusest. Sel moel aitab see vältida palju rohkem soojust koguda ja vältida selle ajami ülekuumenemist. Pärast saagimine töö. Pead lödvestuma saeketti, kui see on pingutatud juures töötemperatuuri. Kuna saeketti kahandatakse jahutuse ajal ja see võib kahjustada väntvõlli ja laager, kui seda ei lödvenenud.

Hooldamine ja puhastamine (B28 – B30)

Saekett

Saeketi ja juhtplaadi hooldamine
Reguleerige aeg-ajalt saeketi (2) pinget kui selleks vajadus on.

Pöörake juhtplaati (1) pärast pikemat kasutusaega ja saeketi (2) vahetamisel. See kompenseerib soone kulumist juhtplaadi saagimispoolisel küljel.

Saeketi teritamine

Saeketti (2) tuleb lasta hooldada väljaõppinud spetsialistil.

Õhufilter

Pärast pikemaajalist kasutamist tuleb õhufilter puhastada. Tolm ja õietolm ummistavad vahtplastist filtri poorid.

- Eemaldage õhufiltri kate (16) ja peske õhufiltri pehme seebiveega. Tähtis: ärge kasutage bensiini või lahustit.

- Enne tagasi panemist kuivatage filter.
Kahjustada saanud õhufilter tuleb koheselt asendada, et mitte mootori eluiga vähendada.

Plastikosade puhastamiseks kasutage niisket

lappi. Ärge kasutage puhastamiseks puhastusaineid, lahusteid või teravaid esemeid.

Eemaldage tolmuladestused ventilatsioonivadest ja liikuvatelt osadelt pehme harjaga korrapäraste ajavahemike järel.

Pärast pikemaajalist kasutamist võtke juhtplaat ja kett lahti ning puhastage neid harjaga.

Süüteküünla reguleerimine

Kontrollige süüteküünla elektrodide vahemaad vähemalt kord aastas või siis, kui mootor käivitub halvasti. Sobiv vahemaa käivitusnäpu ja käivituskontakti vahel on 0,25"/0,63 mm.

- Oodake, kuni mootor on täielikult maha jahtunud.

- Eemaldage õhufiltri kate.

- Eemaldage süüteküünlalt süüteküünla kork ja keerake süüteküünal padrunvõtme abil välja.

- Elektroodi liigse kulumise või katlakiviga kattumise korral tuleb süüteküünal asendada samatüübilise süüteküünlaga. Süüteküünla tugevat katlakiviga kattumist võib põhjustada kütusesegus oleva õli liiga suur osakaal, madalal kvaliteediline õli, vananenud kütusesegu või ummistunud õhufilter.

- Keerake süüteküünal käsitsi lõpuni keermesse (hoiduge keerme suhtes viltu keeramast).

- Nüüd pinguldage süüteküünal padrunvõtme abil.

- Dünamomeetrilise võtme kasutamise korral on pingulduse pöördemoment 12-15 Nm.

- Seejärel kinnitage süüteküünla kork õigesti küünla külge.

Pange õhufiltri kate uuesti peale.

ketiõlitussüsteem

kütus saab kontrollida läbi vaateava on kütusepaak.
Tähelepanu: Palun täitke õlimahuti enne tankimist
kütusepaaki iga kord.

Tehnilised andmed

Õhkhjahutusega kahetaktiline mootor SPS1E43F3	
Silindrimaht:	45,1 cm ³
Max. võimsus:	1,8 kW
Kütusepaagi maht:	500 cm ³
Õlipaagi maht:	240 cm ³
Lõikepikkus:	360 mm
Süüteküüna:	L8RTF(NHSP LD); L8RTC (Torch); L8RTF(BOSCH)
Kaal (ilma juhtplaadi ja ketita, tühja paagiga):	5,6 kg
Müratase:	102,78 dB(A), k=2,5dB(A)
Suurim müratase:	110,07 dB(A), k=2,5 dB(A)
Vibratsioon (ISO 22867):	
Max. esikäepidemel:	5.650 m/s ² , K = 1,5 m/s ²
Max. tagumisest käepidemest:	6.027 m/s ² , K = 1,5 m/s ²
Juhtplaadi suurim pikkus:	16"
Keti samm:	9,525 mm
Keti paksus:	1,27 mm (0,05")
Ketiratas:	7 hammast X 9,525 mm
Tühikäigu kiirus:	2700-3400 min ⁻¹
Suurim kiirus:	11000 min ⁻¹
Saeketi tüüp:	Oregon 91P055X (for 16 ")
Juhtplaadi tüüp:	Oregon 160SDEA095 (for 16 ")

Müratase töötamise ajal võib ületada 113 dB.

Remontimine



Kasutage vaid tootja poolt soovitatud lisa- ja varuosi. Kui seade peaks vaatamata meie kvaliteedikontrollile ja teiepoolsele hooldusele purunema, siis laske see parandada vaid väljaõpetatud elektrikul.

Keskkonnakaitse

Ärge visake seadet, selle lisasid ja pakendit lihtsalt prügikasti, vaid viige need jäätmete kogumispunkti. Teiepoolne väike pingutus võib keskkonnale tublisti head teha.

Jääkohud

Isegi siis, kui õigesti kasutatavahend on alati jääkrisk, mida ei saa välistada. Olemusest ja disaini tööriista järgmiste võimalike ohtude saab tuletada:

- Kokkupuude kaitsmata kett (kärped);
- Ulatuv töötab saeketi (lõigatud kahju)
- Ootamatu, ootamatu liikumise juhtrööpaga (kärped);
- Lükates osadeahela
- Lükates materjali osi lõigata
- Kuulmiskahjustuse, kui ei ole ettenähtud kuulmise kaitseks on kulunud
- Sissehingamine materjali lõigata
- Tagasilöögi oht
- See seade tekitab elektromagnetvälja ajal! See võib häirida aktiivsete või passiivsete meditsiiniliste implantaatide tööd teatud tingimustel!
- Et vähendada tõsiseid või surmavaid vigastusi, soovitame meditsiiniliste implantaatide oma arsti ja tootja implantaadi konsulteeritud enne instrumenti kasutatakse !

Viga	Võimalik põhjus	Lahendus
Mootor sureb välja	Karburaator on valesti reguleeritud	Laske asjatundjal karburaatorit reguleerida.
Mootor käivitub, kuid selle võimsus on väga väike.	Õhuklapp on valesti reguleeritud Õhufilter on määrdunud Karburaator on valesti reguleeritud	Seadke see asendisse ↑ Lükake õhuklapi hoob täielikult sisse. Eemaldage vahtplastist filter, puhastage seda seebiveega, kuivatage ja pange tagasi oma kohale. Laske asjatundjal karburaatorit reguleerida.
Mootor ei käivitu või käivitub, kuid sureb taas välja.	Valesti sooritatud käivitus Valesti reguleeritud karburaator Tahmane süüteküünal	Järgige külmkäivituse juhiseid. Laske asjatundjal karburaatorit reguleerida. Puhastage süüteküünal, korrigeerige elektrodide vahemaad või vahetage süüteküünal välja.
Mootor töötab ebaühtlaselt.	Süüteküünla elektrodide vahemaa pole õige Süüteküünal on läbi põlenud	Puhastage süüteküünal, korrigeerige elektrodide vahemaad (ideaaljuhul 0,25"/0,63 mm) või vahetage süüteküünal välja.
Suitsu liigne teke.	Valesti reguleeritud karburaator Vale küttese	Laske asjatundjal karburaatorit reguleerida. Tühjendage paak ja täitke õige seguga: kahetaktilise mootori segu vahekorras 40:1.

E
E

Saugumo nurodymai ir įspėjimai



Prieš pradėdami naudotis prietaisu, įdėmiai perskaitykite naudojimo instrukciją.



Naudodamiesi prietaisu, išlaikykite bent 15 m atstumą tarp prietaiso ir kitų asmenų.



Dėvėkite aprobuotas ausų apsaugas, galvos apsaugą ir apsauginius akinius.



Avėkite neslystančią, tvirtą avalynę.



Mūvėkite geros kokybės, patvarias pirštines.



Dėvėkite geros kokybės, patvarią darbinę aprangą.



Skleidžiami dūmai yra nuodingi ir gali sukelti dusulį.



SVARBU. Gaisro pavojus. Benzinas ir benzino garai yra ypač degūs.



ĮSPĖJIMAS: Nesinaudokite benziniu pjūkle lyjant ar drėgnomis sąlygomis. Saugokite jį nuo drėgmės.



Saugokitės pjūklo atatrakos. Naudodamiesi pjūkle, tvirtai laikykite jį abiem rankomis.



Dešiniąja ranka laikykite galinę pjūklo rankeną, o kairiąja – priekinę rankeną.



Nelieskite karšto duslintuvo ar cilindro, nes galite nusideginti. Naudojantis pjūkle, šios dalys labai įkaista. Išjungus pjūklą, jos kurį laiką dar būna karštos.



Grandinės stabdys yra ATJUNGTAS (grandinė gali judėti), kai STABDŽIO SVIRTELĖ ATITRAUKTA ATGAL

IR UŽFIKSUOTA.

Grandinės stabdys yra JUNGTRAS (grandinė sustabdyta), kai stabdžio svirtelė yra priekinėje padėtyje. Šiuo atveju grandinė neturi judėti.



Garantuotasis triukšmo galios lygis
L_{WA}: 113 dB(A)



Švelniai paspauskite gruntas mygtuką (23) dažnai pakankamai nepadare daugiau burbuliukų matomi (Apytiksliai. 5-6 kartus).



Šis prietaisas atitinka būtinuosius saugumo reikalavimus benzininiams prietaisams.

Prieš užvesdami prietaisą, įdėmiai perskaitykite jo naudojimo instrukciją.

Netinkamas prietaiso naudojimas gali baigtis kūno sužalojimais ir turto sugadinimu. Šiuo prietaisu draudžiama naudotis asmenims, nesusipažinusiems su jo naudojimo instrukcija. Laikykite naudojimo instrukciją saugioje vietoje.

Vaikams ir jaunuoliams prietaisu naudotis neleidžiama.

Tinkamas prietaiso naudojimas

Šis prietaisas skirtas išskirtinai tik medienai pjauti, pavyzdžiui, medžių kamienams, šakoms, lentoms ir kt. Gamintojas nepriima jokios atsakomybės už tuos atvejus, kai prietaisas naudojamas bet kokiems kitiems tikslams, arba yra modifikuojamas. Be to, būtina laikytis saugumo nurodymų, prietaiso surinkimo ir naudojimo instrukcijų bei bendrųjų nelaimingų atsitikimų prevencijos reikalavimų.

Saugumo nurodymai

Neužveskite ir nenaudokite benzininio pjūklo arti kitų žmonių ar gyvūnų.
Nesinaudokite prietaisu būdami pavargę, išsiblaškę arba kai Jūsų reakcija sulėtėjusi dėl vartoto alkoholio ar vaistų. Neatidumas gali baigtis rimtais kūno sužalojimais. Dėvėkite aprobuotus apsauginius akinius. Dėvėkite aprobuotas ausų apsaugas.
Mūvėkite kokybiškas pirštines.
Avėkite kokybišką neslystančią darbinę avalynę su plieninėmis pirštų apsaugomis. Niekada nesinaudokite prietaisu, avėdami atvirais batais ar basi.
Atlikdami miško valymo darbus, visada mūvėkite aprobuotą apsauginį šalmą.
Nedėvėkite laisvų drabužių ar papuošalų.
Mūvėkite ilgas kelnes, apsaugančias kojas.
Jei Jūsų plaukai ilgi, apdenkite juos galvos apdangalu.
Laisvi drabužiai, papuošalai ir ilgi plaukai gali įstrigti judančiose prietaiso dalyse.
Dėvėkite tinkamą, priglundusią darbinę aprangą.
Laikykite kūno dalis ir drabužius atokiau nuo grandininio pjūklo, užvesdami variklį ir jam dirbant.
Darbo metu visada stovėkite tik ant tvirto, patikimo pagrindo. Nešdami prietaisą, neikite atgal, kad nesukluptumėte. Nestovėkite nenatūraliomis pozomis.
Jei benzininiu pjūklu naudosis ilgą laiką, vibracija gali sukelti kraujo apytakos sutrikimus (pabalusių pirštų ligą).

Neįmanoma pateikti tikslios informacijos apie prietaiso naudojimo trukmę konkrečiais atvejais, nes kiekvienam asmeniui ši trukmė yra individuali. Šiam reiškiniiui įtakos gali turėti tokie veiksniai: kraujo apytakos sutrikimai vartotojo rankose, žema lauko temperatūra ir ilgas naudojimosi prietaisu laikas. Todėl rekomenduojame mūvėti šiltas darbinės pirštines ir reguliariai daryti pertraukas.

Variklio skleidžiami išmetamieji garai yra nuodingi ir gali sukelti dusulį. Neužveskite benzininio pjūklo uždaroje ar prastai vėdinamoje vietoje.

Degalus į benzininį pjūklą pilkite tik lauke arba gerai vėdinamoje vietoje.

Benzinas ir benzino garai yra labai degūs. Saugokite juos nuo degių medžiagų ir degimo šaltinių, pavyzdžiui, viryklių ar orkaitčių.

Nerūkykite, kai pilate degalus ar naudojatės prietaisu.

Nedelsdami išvalykite išsiliejusį benzina.

Užveskite benzininį pjūklą toliau nuo tos vietos, kurioje pylėte degalus.

Visada įsitinkinkite, kad benzino bakelio dangtelis yra sandariai uždarytas. Stebėkite, ar nesimato pratekėjimo. Neatidarykite benzino bakelio ir nepilkite į jį degalų, kai prietaiso variklis yra užvestas arba kol prietaisas yra įkaitęs.

Benzino bakelio dangtelį atidarykite lėtai, kad galėtų išsisklaidyti benzino garai.

Įsitinkinkite, kad pjūklo rankenos yra švarios, sausos ir nesuteptos benzino mišiniu.

Nesinaudokite pjūklu be išmetamojo vamzdžio. Jei ignoruosite šį nurodymą, galite nusideginti.

Naudokite tik tokius degalus, kaip rekomenduojama šioje naudojimo instrukcijoje. Benzina laikykite tik tam skirtuose induose ir tik saugioje vietoje.

Prieš padėdami pjūklą, išjunkite jį. Dirbkite tik dienos šviesoje arba esant geram dirbtiniam apšvietimui. Prieš pradėdami naudotis pjūklu, gerai jį apžiūrėkite.

Patikrinkite, ar visi varžtai ir jungtys yra tvirtai užfiksuoti. Visada tvirtai laikykite pjūklą abiem rankomis.

Kiekvieną kartą prieš naudodamiesi pjūklu, patikrinkite jį ir jo dalis bei apsauginius įtaisus – stebėkite, ar nesimato pažeidimų ir nusidėvėjimo požymių bei nedelsdami atlikite visus reikiamus remonto darbus.

Niekada neatjunkite apsauginių ir saugos įtaisų funkcijų. Pastebėję pažeidimų ar nusidėvėjimo požymius, nesinaudokite pjūklu.

Neperkraukite pjūklo ir nenaudokite jo jokiems kitiems darbams, kuriems jis nėra skirtas.

Įsitinkinkite, kad ventiliacijos angos visada yra švarios. Laikykite pjūklą vaikams nepasiekiamoje vietoje.

Pjūklui atsimušus į kitus paviršius ar patyrus kitokio pobūdžio žalą, apžiūrėkite, ar pjūklas nesugedo.

Naudokite tik tokius pjūklo priedus, kaip rekomenduoja

L
T

gamintojas.

Pjūklo remontą patikėkite tik kvalifikuotiems specialistams, naudojantiems tik originalias atsargines dalis.

Tokiu būdu užtikrinsite, kad pjūklo saugumas nesumažės. Nesinaudokite benzininiu pjūklu arti degių skysčių ar dujų, arba šlapioje ar drėgnoje aplinkoje. Jei ignoruosite šį nurodymą, gali kilti gaisro ar sprogimo pavojus. Niekada nepalikite užvesto pjūklo be priežiūros. Naudokite tik gero apšvietimo sąlygomis. Esate atsakingi už vietos, kurioje dirbate, saugumą. Prižiūrėkite įrankius, kad jie būtų švarūs ir geros darbinės būklės, kad jais dirbti būtų galima lengviau ir saugiau.

Dėvėkite atitinkamą darbinę aprangą, tokią, kaip apsauginės pirštinės, apsauginis šalmas, akiniai ar apsauginis skydelis bei ilgos, tvirtos medžiagos kelnės. Darbo metu visada išlaikykite saugų atstumą tarp pjūklo ir kūno.

Visada išjunkite pjūklą pertraukėlių metu ir pereinami dirbti į kitą vietą. Palaukite, kol pjūklas sustos ir išjunkite variklį.

Niekada nepalikite pjūklo darbo vietoje be priežiūros. Pertraukėlių metu laikykite pjūklą saugioje vietoje.

Pereinami dirbti į kitą vietą, visada išjunkite pjūklą.

Pjūklu besinaudojantys asmenys privalo išlikti atidūs.

Nukreipus jų dėmesį, jie gali nesuvaldyti pjūklo.

Niekada nesinaudokite pjūklu lyjant, šlapioje ar drėgnoje aplinkoje. Nelaikykite pjūklo lauke.

Jei pjūklas sušlapo, palaukite, kol jis visiškai išdžius, tik tada juo vėl naudokitės.

Saugokite pjūklą nuo lietaus ir drėgmės. Užvedę pjūklo variklį, visada laikykite jį abiem rankomis.

Norėdami pridėti pjūklą kiekvienam pjūviui, naudokitės kreiptuvu; visada pradėkite pjauti tik grandinei judant.

Pjūvį baikite taip, kad pjūklas neužstrigtų medienoje.

Atkreipkite ypatingą dėmesį į šakas, patiriančias įtempimą.

Ištraukite pjūklą iš medienos kol grandinė tebejudą.

Niekada nepjaukite, naudodami vieną ranką virš

pečių aukščio. Naudodamiesi pjūklu ant nuožulnios

plokštumos, visada stovėkite statmenai nuolydžiui.

Visada stovėkite į šoną nuo virstančių medžių.

Atkreipkite dėmesį į nupjautų dalių kritimo kryptį.

Niekada nepradėkite pjauti pjūklo juostos galiuku ir

niekada nepjaukite pjūklo juostos galiuku, nes pjūklas

gali atšokti!

Pjūklo galiukui prisilietus prie medienos ar kitų objektų, pjūklas visada gali atšokti. Tokiu atveju pjūklo

nejmanoma suvaldyti, jis gali didele jėga bloktis link

operatoriaus.

Vienu metu visada pjaukite tik po vieną šaką. Genėdami

medžio šakas, atkreipkite dėmesį į kaimynines šakas.

Niekada nesinaudokite pjūklu kaip svirtimi daiktams kelti.

Pjūklu transportuoti visada naudokite grandinės apsaugą.

Prieš naudojantis pjūklu

Patikrinkite pjūklą ir grandinę bei įsitinkite, kad jie yra nepriekaištingos darbinės būklės ir jais saugu naudotis. Patikrinkite, ar nepriekaištingai veikia grandinės tepimo sistema ir patikrinkite alyvos lygį. Patikrinkite grandinės įtempimą ir ar nepriekaištingai veikia grandinės stabdys.

Prietaiso dalys (B1-B2)

1. Kreipiančioji juosta
2. Pjūklo grandinė
3. Grandinės apsauga
4. Grandinės stabdys/rankų apsauga
5. Kreiptuvo stabdys
6. Grandininio krumpliaračio gaubtas
7. Kreipiančiosios juostos varžtai
8. Grandinės reguliavimo varžtas
9. Priekinė rankena
10. Galinė rankena
11. Starterio trosas
12. Alyvos bakelio dangtelis
13. Benzino bakelio dangtelis
14. Apsauginis spragtukas
15. Žvakės raktas
16. Oro filtro dangtelis
17. Droselio svirtelė
18. Valdymo jungiklis
19. Greičio regulatorius
20. Alyvos išleidimo latakas
21. Degalų maišymo kanistras
22. Atsuktuvai
23. Gruntas mygtukas

Surinkimas (B3-B4)

Pjūklo grandinė ir grandinės kreipiančioji juosta pristatomos nesurinktos.

Montuodami pjūklo grandinę, ją įtempdami bei vėliau

tikrindami grandinės įtempimą, visada mūvėkite

apsaugines pirštines, kad nesusižalotumėte.

Sumontuokite kreipiančiąją juostą.

- Pirmiausiai atjunkite grandinės stabdį. Tam paspauskite

rankos apsaugą (4) link viršutinės rankenos.

- Nuimkite grandininio krumpliaračio gaubtą (6), atsukdami du kreipiančiosios juostos varžtus (7).
- Sumontuokite kreiptuvo stabdį, kaip pavaizduota aukščiau pateiktame paveikslėlyje, naudodamiesi žvakės raktu (B31).
- Sumontuokite kreipiančiąją juostą (1) įpjautu galu ant dviejų kreipiančiosios juostos varžtų (7).

Sumontuokite pjūklo grandinę (B5-B9)

- Išskleiskite grandinę (2) kilpa. Įsitinkite, kad pjaunantys danteliai nukreipti laikrodžio rodyklės kryptimi.
- Per movą užmaukite grandinę (2) ant grandininio pjūklo krumpliaračio. Įsitinkite, kad grandinės grandys tiksliai įeina tarp grandininio krumpliaračio dantelių.
- Po to uždėkite grandinę (2) ant juostos galo. Įsitinkite, kad grandinės grandys įeina į kreipiančiosios juostos griovelį.
- Šiame etape pjūklo grandinė apatinėje kreipiančiosios juostos dalyje nukars žemyn.
- VĖL užmontuokite grandininio krumpliaračio gaubtą (6). Įsitinkite, kad grandinės reguliavimo dalis įsistato į kreipiančiosios juostos angą. Tik tokiu atveju galėsite tinkamai uždėti grandininio krumpliaračio gaubtą (6). Svarbu! Grandinė neturi nuslysti nuo kreipiančiosios juostos (1).
- Grandinės grandys turi įeiti tiksliai tarp grandininio krumpliaračio dantelių.
- Grandininio krumpliaračio grandinės reguliavimo dalis turi įsistatyti į angą kreipiančiojoje juostoje.
- Po to vėl įstatykite du kreipiančiosios juostos varžtus (7). Šiame etape užveržkite juos tik ranka.

Pjūklo grandinės įtempimas (B10-B11)

- Įsitinkite, kad kreipiančiosios juostos varžtai (7), skirti pjūklo grandinei (2) reguliuoti, užveržti tik ranka. Jei reikia, atlaisvinkite juos.
- Norėdami padidinti pjūklo grandinės įtempimą (2), pasukite grandinės reguliavimo varžtą (8) pagal laikrodžio rodyklę, naudodami atitinkamą atsuktuvą.
 - Norėdami sumažinti pjūklo grandinės įtempimą (2), pasukite grandinės reguliavimo varžtą (8) prieš laikrodžio rodyklę, naudodami atitinkamą atsuktuvą.
- Pjūklo grandinė (2) įtempta teisingai, jei kreipiančiosios juostos (1) centre ją galima pakelti ne daugiau, nei 2-3

mm.

- Baigę reguliuoti pjūklo grandinės įtempimą, tinkamai suveržkite kreipiančiosios juostos varžtus.

Pastabos

Prieš pradėdami pjauti nauju pjūklų (2), palaikykite jį įjungtą apytiksliai 5 minutes. Po to vėl patikrinkite grandinės įtempimą, ir, jei reikia, pareguliuokite. Įkaitusi pjūklo grandinė (2) išsiplės ir gali nukarti. Tokiu atveju kyla pavojus, kad pjūklo grandinė (2) nušoks nuo kreipiančiosios juostos. Todėl baigę pirmąjį pjovimą, privalote pareguliuoti grandinės (2) įtempimą. Kadangi įkaitusi įtempta pjūklo grandinė (2) atvėsusi susitrauks, dėl to ji bus pernelyg įsitempusi, baigus pjauti įtempimą būtina sumažinti. SVARBU – darbo dienos eigoje grandinės (2) įtempimą reikia patikrinti kelis kartus. Šio darbo metu visada mūvėkite apsaugines pirštines. Kadangi kreipiančioji juosta (1) patiria ypač didelį įtempimą grįžtamajame taške ir sujungimo vietoje, rekomenduojame apsukti kreipiančiąją juostą kaskart galandant grandinę, kad ji nenusidėvėtų iš vienos pusės.

Degalai (B12)

- Naudokite tik įprastinio bešvinio benzino ir specialios dvitakčių variklių alyvos mišinį santykiu 40:1. Svarbu: nenaudokite kitokio maišymo santykio ir nenaudokite gryno benzino. Nenaudokite senesnių, nei 2-3 mėnesių amžiaus degalų. Jei ketinate ilgą laiką nesinaudoti pjūklų, ištuštinkite jo bakelį ir pripildykite tik prieš vėl pradėdami darbus. Maišykite degalus santykiu 40:1.
- Įpilkite 4,0 litrus benzino į 100 ml dvitakčių variklių alyvos degalų bake ir sumaišykite šias dalis, stipriai papurtydami prietaisą.
 - Kaip įpilti degalų į bakelį
 - Lėtai atsukite benzino bakelio dangtelį (13), kad iš bakelio galėtų saugiai išsisklaidyti slėgis ir benzino garai.
 - Įpilkite į bakelį 40:1 santykio dvitakčių variklių alyvos mišinio, naudodamiesi piltuvėliu, po to vėl užsukite benzino bakelio dangtelį (13).

L
T

Grandinės tepimas (B13-B15)

Benzininis pjūklas pristatomas be alyvos. Atsukite alyvos bakelio dangtelį (12). Įpilkite į bakelį biologiškai suiršančios grandinių alyvos. Niekada nenaudokite perdirbtos ar naudotos alyvos. Užtikrinkite, kad į alyvos bakelį nepatektų jokie nešvarumai.

Niekada nenaudokite benzininio pjūklo be alyvos. Jei naudositės pjūklu be alyvos, visas pjūklas suges per labai trumpą laiką.

Alyvos lygį ir grandinės tepimo sistemą tikrinkite kaskart prieš pradėdami darbą.

Patikrinkite automatinę grandinės tepimo sistemos funkciją, laikydami įjungtą pjūklą nukreipę juostos galiuką į popieriaus lapą, padėtą ant žemės. Išlaikykite saugų atstumą! Jei ant popieriaus atsiranda besiplečiantis alyvos dėmė, įjungus pjūklą, automatinė tepimo sistema veikia tinkamai.

Visada įsitinkinkite, kad alyvos išleidimo latakas (20) yra švarus. Jei reikia, išvalykite jį plonu daiktu (pavyzdžiui, dantų krapštuku ar degtuku).

Atsargiai:

Nemėginkite reguliuoti alyvos pompoms srauto. Gamykloje jis buvo nustatytas optimaliai.

Variklio/grandinės stabdys (B16)

Šiame pjūkle vardan Jūsų saugumo įrengtas variklio/grandinės stabdys.

Jei pjūklas atšoks, priekinė rankos apsauga (4) atsimuš Jums į ranką ir aktyvuos grandinės stabdį. Norėdami vėl įjungti pjūklą, stipriai patraukite rankos apsaugą atgal, link priekinės rankenos. Grandinė sustos ne vėliau, nei po 0,1 sekundės.

Laikas nuo laiko patikrinkite šios apsaugos veikimą. Norėdami tai atlikti, pastumkite rankos apsaugą (4) pirmyn ir trumpam įjunkite pjūklą. Grandinė negali pradėti judėti. Atleiskite apsaugą. Patraukite rankos apsaugą link savęs. Įjungus pjūklą, grandinė pradės judėti.

Pjūklo priežiūros instrukcijos

Reguliariai apžiūrėkite pjūklą, ar nesimato pažeidimo požymių.

Įsitinkinkite, kad visos pjūklo dalys veikia tinkamai ir

teisingai.

Prašome atkreipti dėmesį: kad pjūklas veiktų tinkamai, visos jo dalys turi būti teisingai sumontuotos.

Nedelsdami kreipkitės į techninio aptarnavimo centrą dėl sugedusių pjūklo dalių remonto.

Pjūklo užvedimas, kai variklis yra šaltas (B17-B19)

- Saugiai padėkite benzininį pjūklą ant grindų.

- Pakelkite valdymo jungiklį (18) aukštyn.

- Švelniai paspauskite gruntas mygtuką (23) dažnai pakankamai nepadarė daugiau burbuliukų matomi (Apytiksliai. 5-6 kartus).

- Iki pat galo patraukite droselio svirtelę (17).

- Atsistokite saugia poza.

- Kairiąja ranka tvirtai laikykite benzininį pjūklą ant žemės.

- Įstatykite dešiniąją pėdą į galinės rankenos angą (10).

- 3-5 kartus iki pat galo ištraukite starterio trosą (11).

- Kelis kartus staigiai ir stipriai patraukite starterio trosą (11) iki pat trosu galo, kol variklis užsives.

Apšildykite variklį 30 sekundžių. Paspauskite ir atleiskite spragtuką.

Variklio sustabdymas (B19)

- Palaukite, kol variklis sulėtės iki tuščiosios eigos greičio, nespausdami greičio regulatoriaus.

- Perjunkite valdymo jungiklį (18) žemyn iki „STOP“ padėties.

Pjūklo užvedimas, kai variklis yra šiltas

- Pjūklas užvedamas analogiškai, kaip ir šaltu varikliu. Tačiau šiuo atveju droselio svirtelė (17) lieka iki galo įspausta.

Kaip dirbti su benzininiu pjūklu

Mūvėkite pirštines, ausų apsaugas, dėvėkite apsauginę aprangą ir šalną su apsauginiu skydeliu.

Niekada nepjunkite aukščiau pečių lygio.

Niekada nepjunkite viena ranka.

Niekada nepjunkite, stovėdami ant kopėčių, medyje arba jei nestovite ant tvirto pagrindo.

Prieš užvesdami variklį, patikrinkite:

- Ar tinkamas grandinės įtempimas?
- Ar pilnas alyvos bakelis?
- Ar atleistas grandinės stabdys?
- Užveskite benzininį pjūklą.

Kaip laikyti pjūklą (B20)

Laikykite priekinę pjūklo rankeną (9) kairiąja ranka, o galinę rankeną (10) dešiniąja ranka.

Kaip išjungti pjūklą

Atleiskite greičio reguliavimo svirtelę (19). Perjunkite valdymo jungiklį (18) į „STOP“ padėtį. Nepadėkite pjūklo, kol grandinė visiškai sustos.

Karbiuratoriaus reguliavimas

Siekiant užtikrinti efektyvų pjūklo darbą, karbiuratorius nureguliuojamas gamykloje. Jei pageidaujate pakeisti karbiuratoriaus parametrus, kreipkitės į aprobuotą techninio aptarnavimo centrą.

Pjūklo laikymo sąlygos

Valykite pjūklo grandinę (2) ir kreipiančiąją juostą (1) po kiekvieno naudojimo. Uždėkite grandinės apsaugą (3).

Darbo instrukcijos (B21-B27)

Laikykitės visų saugumo reikalavimų.

Niekada nepjaukite pjūklu, kurio grandinė atsilaisvinusi ar atšipusi. Visada ištraukite pjūklą iš medienos, kol grandinė tebejudą.

Pjaudami nuvirtusius medžius, atkreipkite dėmesį, kad medžio kamieną vis dar gali veikti įtempimas.

Jei įtempimas veikia medžio kamieno viršų, medis gali atšokti aukštyn.

Jei įtempimas veikia medžio kamieno apačią, medis gali atšokti žemyn.

Kai įmanoma, naudokite fiksatorių (pavyzdžiui, pjovimo ožį).

Šiuo pjūklu galima pjauti tik medieną ar medinius objektus. Saugokitės pašalinių objektų, tokių, kaip viny ar akmenys. Jiems prisilietus prie judančios pjūklo grandinės, grandinė gali juos išsviesti, arba jie gali sugadinti pjūklą.

Pjaunant medieną, kreiptuvo stabdį (5) reikia tvirtai

pridėti prie medienos; užvedus pjūklą, jis turi būti į medieną. Laikykite pjūklą už priekinės rankenos ir galine rankena patraukite pjūklą aukštyn. Šiuo tikslu kreiptuvo stabdys turi būti naudojamas kaip šarnyrinis taškas. Norėdami atkurti kreiptuvo padėtį, švelniai paspauskite priekinę rankeną ir šiek tiek patraukite pjūklą atgal. Po to įstatykite kreiptuvo stabdį šiek tiek giliau ir vėl patraukite rankeną aukštyn.

Atliekant išilginius pjūvius, pjūklas turi būti laikomas kuo plokštesniu kampu. Kadangi šiuo atveju kreiptuvo stabdžio naudoti negalima, tokio tipo pjūvius atlikite ypač atsargiai. Saugokitės pjūklo atšokimo! Pjūklo galiukui prisilietus prie medienos ar kitų objektų, pjūklas visada gali atšokti. Tokiu atveju pjūklo neįmanoma suvaldyti, jis gali didele jėga blokuotis link operatoriaus.

Kai įmanoma, visada pjaukite apatine pjūklo juostos dalimi, nes jei pjausite pjūklo galiuku, grandinei užstrigus pjūklas blokuosis link operatoriaus.

Kai įmanoma, pjaustydami nuo medžių šakas, prisitvirtinkite prie medžio kamieno.

Ypatingos atsargos priemonės nuleidžiant medžius:

Medžių nuleidimas yra ypač pavojingas, šiam darbui reikalingi specialūs įgūdžiai. Jei Jums šis darbas nežinomas, nemėginkite jo atlikti. Pirmiausiai šio darbo Jus turi apmokyti specialistas.

Niekada nemėginkite nuleisti medžių, kurių skersmuo didesnis už kreipiančiosios pjūklo juostos ilgį.

Krentantis medis gali nuversti ir kitus medžius. Pavojaus zona visada laikykite dvigubai didesnę, nei medžio aukštis, zoną. Be to, būkite atsargūs, nekludykite elektros ir telefono linijų.

Prieš pradėdami medžio nuleidimą, suplanuokite ir išvalykite pasišalinimo maršrutą. Jis turi būti į priešingą pusę nuo planuojamos medžio kritimo krypties.

Medžio nuleidimo zonoje negali būti žiūrovų, gyvūnų ar kliūčių.

Jei pjūklas įstrigo medyje, niekada nemėginkite jo ištraukti su užvestu pjūklo varikliu. Norėdami išlaisvinti pjūklą, naudokite medinius pleištus.

Atsižvelgę į vainiko svorio centrą ir vėjo kryptį, pirmiausiai apskaičiuokite medžio virtimo kryptį.

Įsitinkinkite, kad prieš prisiliesdamas prie medžio, pjūklas yra įjungtas. Įpjaukite medyje įpjovą (A) medžio virtimo pusėje. Ši įpjova nukreips medį ir apibrėš jo kritimo kryptį. Dar kartą patikrinkite medžio kritimo kryptį.

Prireikus ją koreguoti, dar kartą įpjaukite įpjovą per pilną

L
T

kamieno plotį.

Šūktelėkite „Medis“.

Po to perpjaukite medžio kritimo pjūvį (B) iš priešingos, nei įpjova medžio pusės. Pradėkite šį pjūvį virš įpjovos apačios.

Nedelsdami įstatykite pleištus į medžio kritimo įpjovą. Palikite lūžio juostą (C). Ji atliks šarnyro vaidmenį. Jei įpjausite per lūžio juostą, medis virs nekontroliuojamai. Niekada nenuipjaustykite medžių, verskite juos naudodami pleištus.

Medžiu virstant atsitraukite. Patikrinkite vainiko zoną. Palaukite, kol vainikas nustos drebėti.

Neverskite medžių, jei nematote visos pavojaus zonos (dėl lietaus, sniego, rūko ar prieblandos).

Niekada nemėginkite nuleisti medžių, jei negalite kontroliuoti jų kritimo krypties dėl stipraus vėjo.

Šį darbą galima dirbti tik ypač saugiai stovint ant žemės.

Gulintys medžiai ar šakos gali būti veikiami įtempimo. Pirmiausiai atlikite reikiamus pjūvius tokiam įtempimui pašalinti, tik po to pradėkite reikiamus pjovimo darbus. Atsargiai: ilgą laiką naudojant benzininį pjūklą pilnu apkrovimu, būtina kurį laiką leisti jam padirbti be apkrovos, kad aušinimo oras pašalintų didžiąją dalį susikaupusio karščio. Tokiu būdu išvengsite aukštos temperatūros susidarymo ir pavaro mechanizmo perkaitimo.

Baigus darbą, pjūklo grandinę reikia atleisti, jei ji buvo įtemptiama darbinėje temperatūroje. Vėsdama pjūklo grandinė trauksis, ir jos neatleidus, ji sugadins alkūninį veleną bei guolius.

Pjūklo aptarnavimas ir priežiūra (B28-B30)

Pjūklo grandinė

Pjūklo grandinės ir kreipiančiosios juostos priežiūra.

Kai reikia, laikas nuo laiko pareguliuokite pjūklo grandinės (2) įtempimą.

Po ilgo naudojimo ir keisdami pjūklo grandinę (2), apskukite kreipiančiąją juostą (1). Taip kompensuosite juostos pjaunančioje pusėje esančio griovelio dėvėjimąsi.

Pjūklo grandinės galandimas

Pjūklo grandinės (2) priežiūros darbus turėtų atlikti tik patyrę specialistai.

Oro filtras

Po ilgo pjūklo naudojimo būtina išvalyti oro filtrą. Dulkės ir žiedadulkės užkemša oro filtro akutes.

- Nuimkite oro filtro dangtelį (16) ir išplaukite oro filtrą muiliniu vandeniu. Svarbu: nenaudokite benzino ar tirpiklių.

- Išdžiovinkite filtrą, tik po to jį vėl naudokite.

Pažeistą oro filtrą būtina nedelsiant pakeisti, siekiant apsaugoti variklį ir nesutrumpinti jo naudojimo laiko. Plastikines dalis valykite drėgna šluoste. Nenaudokite valymo priemonių, tirpiklių ar aštrių daiktų.

Minkštu šepetėliu reguliariai išvalykite dulkes, susikaupusias ventiliacinėse angose ir judančiose dalyse.

Po ilgo pjūklo naudojimo laiko numontuokite kreipiančiąją juostą ir grandinę bei išvalykite šepetį.

Žvakės reguliavimas

Bent kartą metuose, arba jei variklis lengvai neužsiveda, patikrinkite žvakės elektrodo tarpelį. Tarp kilpos ir kontakto turi būti 0,25"/0,63 mm tarpelis.

- Palaukite, kol variklis visiškai atvės.

- Nuimkite oro filtro dangtelį.

- Nuimkite žvakės gaubtą nuo žvakės ir atsukite žvakę, naudodami žvakės veržliaraktį.

- Jei elektrodas labai nusidėvėjęs ar pasidengęs nešvarumais, žvakę būtina pakeisti nauja analogiška žvake. Gausias sankaupas ant žvakės galėjo sukelti pernelyg didelis alyvos kiekis degalų mišinyje, prasta alyvos kokybė, per senas degalų mišinys ar užsikimšęs oro filtras.

- Pilnai įsukite žvakę į sriegį ranka (neperveržkite sriegio).

- Po to užveržkite žvakę specialiu veržliaraktiu.

- Jei naudojate dinamometrinį raktą, naudokite 12-15 Nm sukimo momentą.

- Po to teisingai pritvirtinkite žvakės gaubtą prie žvakės. Uždėkite oro filtro dangtelį.

Grandinės tepimas

Degalų lygį galima patikrinti pro degalų bakelyje esantį stiklą.

Svarbu: Prašome užpildyti alyvos bakelį kiekvieną kartą prieš pilant degalus į degalų bakelį.

Techninės specifikacijos

Oru aušinamas dvitaktis variklis	
Litražas:	45,1 cm ³
Maksimali variklio galia:	1,8 kW
Degalų bakelio talpa:	500 cm ³
Alyvos bakelio talpa:	240 cm ³
Pjovimo ilgis:	360 mm
Žvakė:	L8RTF(NHSP LD); L8RTC (Torch) ;L8RTF(BOSCH)
Masė (be kreipiančiosios juostos ir grandinės, su tuščiu bakeliu):	5,6 kg
Triukšmo slėgio lygis (L _{PA}):	102,78 dB(A), K=2,5 dB(A)
Garso galios lygis (L _{WA}):	110,07 dB(A), K=2,5 dB(A)
Maksimalus variklio vibracijos lygis:	6.027 m/s ² , k=1,5 m/s ²
Maksimalus juostos ilgis:	16"
Grandinės žingsnis:	9,525 mm
Grandinės narelio storis:	1,27 mm (0,05")
Krumpliaratis:	7 dantelių x 9,525 mm
Variklio tuščiosios eigos greičio intervalas:	2700-3400 min ⁻¹
Maksimalus greitis:	11000 min ⁻¹
Kreipiančiosios juostos tipas:	Oregon 160SDEA095 (for 16 ")
Triukšmo lygis darbo metu gali viršyti 113 dB.	

Pjūklo remontas

Naudokite tik tokias papildomas ir atsargines dalis, kaip rekomenduoja gamintojas. Jei nepaisant mūsų kokybės kontrolės ir Jūsų atliekamos pjūklo priežiūros, jis sugedo, dėl pjūklo remonto kreipkitės tik į kvalifikuotą elektriką.

Aplinkosauga



Neišmeskite prietaiso, jo priedų ir pakuotės į buitinių atliekų konteinerį, pristatykite juos perdirbimui. Truputis Jūsų pastangų padarys didelę naudą mūsų aplinkai.


Liekamoji rizika

Net tinkamai naudojantis prietaisu, visada lieka tam tikra rizika, kurios išvengti neįmanoma. Priklausomai nuo prietaiso pobūdžio ir konstrukcijos, gali kilti tokie pavojai:

- Kontaktas su neuždengta grandine (pjūviai);
- Prisilietimas prie besisukančios pjūklo grandinės (įpjovimai);
- Netikėtas, staigus kreipiančiosios juostos judesys (pjūviai);
- Grandinės dalių atšokimas;
- Pjaunamos medžiagos dalių atšokimas;
- Pablogėjusi klausia, jei nesinaudojama nurodytomis ausų apsaugos priemonėmis;
- Pjaunamos medžiagos įkvėpimas;
- Atatrankos pavojus;
- Darbo metu šis prietaisas skleidžia elektromagnetinį lauką! Tam tikromis sąlygomis jis gali sukelti aktyviųjų ar pasyviųjų medicininių implantų trikdžius! Siekiant sumažinti rimtų ar mirtinų kūno sužalojimų pavojų, rekomenduojame medicininius implantus turintiems asmenims pasikonsultuoti su gydytoju ir medicininio implanto gamintoju, prieš pradėdant naudotis prietaisu!



L
T

Problema	Galima priežastis	Priemonės
Variklis užgesta.	Netinkamai nureguliuotas karbiuratorius.	Karbiuratorių gali pareguliuoti specialistas, arba prašome kreiptis į techninio aptarnavimo centrą.
Variklis užsiveda, tačiau veikia labai maža galia.	Netinkamai nureguliuota droselio svirtelė. Nešvarus oro filtras. Netinkamai nureguliuotas karbiuratorius.	Nustatykite ją į padėtį  . Išimkite oro filtrą, išplaukite muilinu vandeniu, išdžiovinkite ir sumontuokite atgal. Kreipkitės į specialistą dėl karbiuratoriaus reguliavimo.
Variklis neužsiveda arba užsiveda, bet vėl užgesta.	Neteisinga variklio užvedimo procedūra. Netinkamai nureguliuotas karbiuratorius. Suodžiais apsinešusi žvakė.	Laikykitės nurodymų, pateiktų instrukcijos dalyje „Pjūklo užvedimas, kai variklis yra šaltas“. Kreipkitės į specialistą dėl karbiuratoriaus reguliavimo. Išvalykite žvakę, nureguliuokite elektrodo tarpelį arba pakeiskite žvakę.
Variklis dirba netolygiai.	Netinkamas žvakės elektrodo tarpelis. Sudegusi žvakė.	Išvalykite žvakę, nureguliuokite elektrodo tarpelį (idealus tarpelis 0,25"/0,63 mm) arba pakeiskite žvakę.
Prietaisas skleidžia gausius dūmus.	Netinkamai nureguliuotas karbiuratorius. Netinkamas degalų mišinys.	Kreipkitės į specialistą dėl karbiuratoriaus reguliavimo. Ištuštinkite degalų bakelį ir įpilkite į jį tinkamo dvitakčių variklių mišinio santykiu 40:1.



Διαβάστε προσεκτικά τις οδηγίες χρήση πριν την χρήση.



Κρατήστε ελάχιστη απόσταση τουλάχιστον 15 μέτρα από άλλα άτομα όταν λειτουργείτε το μηχάνημα.



Φοράτε γυαλιά, κράνος και γυαλιά.



Φοράτε υποδήματα προστασίας αντιολισθητικά.



Φοράτε γάντια προστασίας για σκληρές εργασίες.



Φοράτε ρούχα προστασίας καλή ποιότητας.



Οι εκπομπές του μηχανήματος είναι τοξικές και μπορεί να προκαλέσουν ασφυξία.



ΣΗΜΑΝΤΙΚΟ! Κίνδυνος φωτιάς. Τα καύσιμα και οι αναθυμιάσεις των καυσίμων είναι πολύ εύφλεκτα.



Προσοχή: Μην χρησιμοποιείτε το μηχάνημα στην βροχή ή σε συνθήκες με υγρασία.



Προστατεύστε τον εαυτό σας από το κλώτσημα. Κρατήστε το πριόνι και με τα δύο χέρια κατά την χρήση.



Κρατήστε το πριόνι με το δεξί χέρι να βρίσκεται στην πίσω λαβή και το αριστερό στην μπροστινή.



Μην ακουμπήσετε την εξάτμιση ή τον κύλινδρο όταν είναι ζεστά. Τα ανταλλακτικά αυτά ζεσταίνονται πολύ κατά την χρήση και παραμένουν ζεστά για αρκετό χρονικό διάστημα αφού σταματήσει το μηχάνημα.



Το φρένο απενεργοποιείται (η αλυσίδα κινείται) όταν τραβάτε την λαβή του φρένου προς τα πίσω και το κλειδώνετε. Το φρένο ενεργοποιείται (η αλυσίδα δεν μπορεί να κινηθεί) όταν σπρώχνετε την λαβή του φρένου προς τα μπροστά. Η αλυσίδα δεν θα πρέπει να κινείται στην περίπτωση αυτή.



Επίπεδο θορύβου L_{WA} : 115 dB(A)



Πιέστε απαλά την κουμπί αστάρι οft αρκετά δεν υπάρχουν περισσότερες φυσαλίδες είναι ορατές (Περ. 5-6 φορές).

G
R



Αυτό το μηχάνημα είναι σύμφωνο με τους κανονισμούς ασφαλείας των βενζινοκινητήρων. Διαβάστε τις οδηγίες χρήσης προσεκτικά πριν να ξεκινήσετε το μηχάνημα.

Η ακατάλληλη χρήση μπορεί να προκαλέσει τραυματισμό και υλικές ζημιές. Άτομα που δεν γνωρίζουν τις οδηγίες χρήσης δεν θα πρέπει να χρησιμοποιήσουν το μηχάνημα. Κρατήστε τις οδηγίες σε ασφαλές μέρος. Παιδιά και ανήλικοι δεν θα πρέπει να χρησιμοποιήσουν το μηχάνημα.

Κατάλληλη χρήση

Αυτό το μηχάνημα είναι σχεδιασμένο αποκλειστικά για την κοπή ξύλων, π.χ. κορμών, κλαδιών κ.α.

Εάν το χρησιμοποιήσετε για διαφορετικό λόγω ή εάν πραγματοποιήσετε ρυθμίσεις ο κατασκευαστής δεν φέρει καμία ευθύνη.

Διαβάστε επίσης τις οδηγίες χρήσης, συναρμολόγησης και λειτουργίας όπως και τους γενικούς κανονισμούς αποφυγής ατυχημάτων.

**G
R**

Οδηγίες ασφαλείας

Μην ξεκινήσετε το πριόνι κοντά σε άλλους ανθρώπους ή ζώα.

Μην χρησιμοποιείτε το μηχάνημα εάν είστε κουρασμένοι ή απορροφημένοι ή εάν οι αντιδράσεις σας είναι επηρεασμένοι από την κατανάλωση αλκοόλ ή φαρμάκων. Η απροσεξία μπορεί να προκαλέσει σοβαρούς τραυματισμούς.

Φοράτε γυαλιά προστασίας.

Φοράτε ωτοασπίδες.

Φοράτε γάντια προστασίας καλή ποιότητας.

Φοράτε υποδήματα προστασίας αντιολισθητικά με μεταλλική μύτη. Μην χρησιμοποιείτε το μηχάνημα φορώντας σανδάλια ή χωρίς υποδήματα.

Φοράτε κράνος προστασίας όταν κόβετε δέντρα.

Μην φοράτε φαρδιά ρούχα ή κοσμήματα.

Φοράτε μακριά παντελόνια για να προστατεύσετε τα

πόδια σας.

Καλύψτε τα μαλλιά σας εάν είναι μακριά.

Τα φαρδιά ρούχα και τα κοσμήματα μπορεί να πιαστούν στα κινούμενα μέρη του μηχανήματος.

Φοράτε κατάλληλα ρούχα εργασίας.

Κρατήστε το σώμα και τα ρούχα σας μακριά από το πριόνι όταν το ξεκινάτε και καθώς λειτουργεί.

Σιγουρευτείτε ότι στέκεστε σε σταθερή επίπεδη επιφάνεια καθώς εργάζεστε. Μην περπατάτε προς τα πίσω όταν κρατάτε το μηχάνημα για να αποφύγετε την πτώση. Μην κρατάτε αφύσικες στάσεις.

Εάν χρησιμοποιείτε το πριόνι για μεγάλα χρονικά διαστήματα μπορεί να υποφέρετε από προβλήματα στην κυκλοφορία του αίματος (νόσος των άσπρων δαχτύλων) εξαιτίας των κραδασμών. Δεν μπορεί να δοθεί ακριβές χρονικό διάστημα διότι διαφέρει από άτομο σε άτομο. Οι παρακάτω παράγοντες συμβάλουν στο φαινόμενο αυτό: Κυκλοφορικά προβλήματα, χαμηλές θερμοκρασίες περιβάλλοντος και μεγάλα διαστήματα χρήσης του μηχανήματος. Για το λόγω αυτό σας προτείνουμε να φοράτε γάντια και να κάνετε συχνά διαλείμματα από την εργασία σας.

Οι εκπομπές του πριονιού είναι τοξικές και μπορεί να προκαλέσουν ασφυξία. Μην ξεκινήσετε το πριόνι σε εσωτερικούς χώρους με ανεπαρκή εξαερισμό.

Γεμίστε το ρεζερβουάρ μόνο σε εξωτερικό χώρο με καλό εξαερισμό.

Οι αναθυμιάσεις των καυσίμων είναι πολύ εύφλεκτες. Κρατήστε το μηχάνημα μακριά από εύφλεκτα υλικά και πηγές ανάφλεξης όπως ζεστά τζάκια και φούρνους.

Μην καπνίζετε καθώς γεμίζετε το ρεζερβουάρ.

Στεγνώστε ότι καύσιμο έχει χυθεί.

Χρησιμοποιείτε το πριόνι μακριά από το σημείο συμπλήρωσης καυσίμου.

Σιγουρευτείτε ότι η τάπα καυσίμου είναι κλεισμένη καλά. Ελέγξτε για πιθανές διαρροές.

Μην ανοίξετε την τάπα καυσίμου ή μην συμπληρώσετε καύσιμα ενώ το μηχάνημα λειτουργεί ή είναι ζεστό.

Ανοίξτε την τάπα καυσίμου αργά έτσι ώστε οι αναθυμιάσεις των καυσίμων να ελευθερωθούν .

Σιγουρευτείτε ότι οι χειρολαβές είναι καθαρές, στεγνές και χωρίς μίξη καυσίμου.

Μην χρησιμοποιείτε το μηχάνημα χωρίς την εξάτμιση. Μπορεί να πάθετε εγκαύματα εάν δεν ακολουθήσετε τις οδηγίες αυτές.

Χρησιμοποιήστε μόνο καύσιμα που προτείνονται στις οδηγίες αυτές. Κρατήστε τα καύσιμα σε ειδικά σχεδιασμένα δοχεία για το σκοπό αυτό και σε ασφαλές μέρος.

Σβήστε το πριόνι πριν το αφήσετε κάτω.

Εργαστείτε μόνο κατά την διάρκεια της ημέρας ή με καλό φωτισμό.

Πραγματοποιήστε ένα οπτικό έλεγχο πριν από κάθε χρήση.

Ελέγξτε ότι όλες οι βίδες και οι συνδέσεις είναι σφιγμένες.

Κρατήστε πάντα το μηχάνημα σταθερά και με τα δυο χέρια.

Ελέγξτε το μηχάνημα, τα μέρη του και τα προστατευτικά του πριν από κάθε χρήση για σημάδια φθοράς και ζημιάς και δώστε το για επισκευή εάν χρειάζεται. Μην χρησιμοποιήσετε μηχάνημα χωρίς τα προστατευτικά του και εάν παρατηρήσετε σημάδια φθοράς ή ζημιάς.

Μην υπερφορτώνετε το μηχάνημα και μην το χρησιμοποιείτε για εργασίες για τις οποίες δεν έχει σχεδιαστεί.

Σιγουρευτείτε ότι οι εγκοπές εξαερισμού είναι ανοιχτοί και καθαροί.

Κρατήστε το μηχάνημα μακριά από παιδιά. Ελέγξτε εάν το μηχάνημα έχει φθορές ή άλλα σημάδια ζημιάς.

Χρησιμοποιήστε μόνο εξαρτήματα που προτείνει ο κατασκευαστής.

Το μηχάνημα θα πρέπει να επισκευάζετε μόνο από εξουσιοδοτημένο σέρβις και μόνο με αυθεντικά ανταλλακτικά.

Έτσι θα εξασφαλίσετε την ασφάλεια του πριονιού. Μην χρησιμοποιείτε το πριόνι κοντά σε εύφλεκτα υλικά ή σε περιβάλλον με πολύ υγρασία. Εάν το αγνοήσετε αυτό υπάρχει κίνδυνος φωτιάς ή έκρηξης.

Μην αφήνετε το μηχάνημα να λειτουργεί χωρίς επίβλεψη.

Εργαστείτε μόνο σε χώρους με καλό φωτισμό.

Είστε υπεύθυνοι για την ασφάλεια στην περιοχή όπου εργάζεστε.

Κρατήστε το πριόνι σε καλή λειτουργική κατάσταση και καθαρό έτσι ώστε να είναι πιο εύκολο και ασφαλές στην χρήση.

Καθώς εργάζεστε κρατήστε πάντα το μηχάνημα σε ικανοποιητική απόσταση από το σώμα σας.

Σβήστε πάντα το μηχάνημα κατά τα διαλείμματα και όταν αλλάζετε τοποθεσία. Περιμένετε μέχρι να σταματήσει το πριόνι και σβήστε το.

Μην αφήνετε το μηχάνημα χωρίς επίβλεψη στο χώρο εργασίας. Αποθηκεύστε το σε ασφαλές σημείο όταν δεν το χρησιμοποιείτε.

Το προσωπικό που χρησιμοποιεί το μηχάνημα δεν θα πρέπει να είναι αφηρημένοι. Μπορεί να τους κάνει να χάσουν τον έλεγχο του μηχανήματος.

Μην χρησιμοποιείτε το μηχάνημα στην βροχή ή σε χώρους με υγρασία και μην το αποθηκεύετε έξω. Εάν βραχεί το μηχάνημά σας περιμένετε μέχρι να στεγνώσει τελείως πριν να το χρησιμοποιήσετε.

Κρατήστε πάντα το πριόνι και με τα δυο χέρια.

Χρησιμοποιείτε την δαγκάνα για να τοποθετήσετε το πριόνι και ξεκινήστε πάντα κάθε κοπή με την αλυσίδα να κινείται.

Ολοκληρώστε την κοπή με τέτοιο τρόπο ώστε να μην κολλήσει το πριόνι στο ξύλο.

Δώστε προσοχή σε κλαδιά που βρίσκονται υπό πίεση. Τραβήξτε το πριόνι από το ξύλο μόνο ενώ γυρίζει ακόμα η αλυσίδα.

Μην κόβετε με το ένα χέρι πάνω από το ύψος του ώμου σας. Πάντα να στέκεστε αντίθετα με την πλαγιά όταν χρησιμοποιείτε το πριόνι σε γωνία.

G
R

Να στέκεστε πάντα μακριά από ένα δέντρο που πέφτει. Να παρατηρείτε την κατεύθυνση που πέφτουν τα κομμένα αντικείμενα. Μην ξεκινήσετε ποτέ μια κοπή χρησιμοποιώντας την μύτη της λάμας. Κίνδυνος ανάκρουσης.

Υπάρχει πάντα κίνδυνος ανάκρουσης εάν η μύτη της λάμας ακουμπάει το ξύλο ή άλλα αντικείμενα. Αυτό κάνει το πριόνι αδύνατον να ελεγχθεί και μπορεί να προκαλέσει τραυματισμό.

Πάντα να κόβετε ένα κλαδί την φορά και να δίνετε προσοχή στα κλαδιά που βρίσκονται γύρω.

Μην χρησιμοποιείτε το μηχάνημα σαν μοχλό για να μετακινήσετε αντικείμενα.

Πάντα να χρησιμοποιείτε την κάλυμμα της λάμας όταν μεταφέρετε το πριόνι

Πριν την χρήση

Ελέγξτε το μηχάνημα και την αλυσίδα για να εξασφαλίσετε ότι είναι σε καλή λειτουργική κατάσταση και ασφαλές για χρήση.

Ελέγξτε την λειτουργία της λίπανσης της αλυσίδας και το επίπεδο λαδιού. Ελέγξτε το τέντωμα της αλυσίδας και την λειτουργία του φρένου.

Περιγραφή μηχανήματος (B1-B2)

1. Λάμα
2. Αλυσίδα
3. Κάλυμμα λάμα
4. Φρένο / Προστατευτικό
5. Δαγκάνα
6. Κάλυμμα αλυσίδας
7. Βίδες λάμας
8. Βίδα ρύθμισης αλυσίδας
9. Μπροστινή λαβή
10. Πίσω λαβή
11. Χειρόμυζα
12. Τάπα λαδιού
13. Τάπα ρεζερβουάρ
14. Διακόπτης ασφαλείας
15. Μπουζόκλειδο
16. Κάλυμμα φίλτρου αέρα
17. Μοχλός τσοκ
18. Διακόπτης
19. Μοχλός γκαζιού

20. Αντλία λαδιού
21. Δοχείο μίξης
22. Κατσαβίδι
23. κουμπί αστάρι

Συναρμολόγηση (B3-B4)

Η αλυσίδα και η λάμα δεν παρέχονται συναρμολογημένα.

Για την αποφυγή τραυματισμών φοράτε γάντια όταν τοποθετείτε την αλυσίδα, όταν την τεντώνετε και όταν ελέγχετε την αλυσίδα.

Τοποθέτηση λάμας

- Πρώτα αποσυνδέστε το φρένο. Πιέστε την λαβή (4) προς πάνω λαβή για τον σκοπό αυτό.
- Αφαιρέστε το κάλυμμα της αλυσίδας (6) ξεβιδώνοντας τις δυο βίδες της λάμας (7).
- Τοποθετήστε την λάμα (1) με την οδοντωτή πλευρά πάνω στις δυο βίδες (7).

Τοποθέτηση αλυσίδας (B5-B9)

- Απλώστε την αλυσίδα (2). Σιγουρευτείτε ότι τα δόντια είναι με την φορά του ρολογιού.
- Τοποθετήστε την αλυσίδα πάνω στο γρανάζι της αλυσίδας του πριονιού. Σιγουρευτείτε ότι έχει τοποθετηθεί σωστά.
- Τοποθετήστε την αλυσίδα πάνω από την λάμα. Σιγουρευτείτε ότι έχει τοποθετηθεί σωστά.
- Η αλυσίδα θα κρέμεται προς τα κάτω από την μια πλευρά της λάμας.
- Τώρα τοποθετήστε το κάλυμμα της αλυσίδας (6) ξανά. Σιγουρευτείτε ότι έχει τοποθετηθεί σωστά η αλυσίδα διαφορετικά το κάλυμμα δεν θα κουμπώσει σωστά. Σημαντικό! Η αλυσίδα δεν θα πρέπει να γλιστράει από την λάμα.
- Τώρα τοποθετήστε τις βίδες της λάμας. Και σφίξτε τις με το χέρι στο σημείο αυτό.

Τέντωμα αλυσίδας (B10-B11)

Σιγουρευτείτε ότι οι βίδες της λάμας για την ρύθμιση της αλυσίδας είναι σφιγμένες μόνο με το χέρι. Χαλαρώστε τις εάν είναι αναγκαίο.

- Για να αυξήσετε το τέντωμα στην αλυσίδα γυρίστε την βίδα ρύθμισης της αλυσίδας με την φορά του ρολογιού χρησιμοποιώντας ένα κατάλληλο κατσαβίδι.

- Για να μειώσετε το τέντωμα της αλυσίδας γυρίστε την βίδα αντίθετα με την φορά του ρολογιού με ένα κατάλληλο κατσαβίδι.

Το τέντωμα της αλυσίδας είναι σωστό εάν μπορείτε να την ανεβάσετε 2-3 χιλιοστά στο κέντρο της λάμας.

- Σφίξτε καλά τις βίδες της λάμας αφού έχετε τεντώσει σωστά την αλυσίδα.

Σημείωση

Αφήστε μια καινούρια αλυσίδα να λειτουργήσει για περίπου 5 λεπτά πριν να κόψετε κάτι. Ελέγξτε το τέντωμα της αλυσίδας ξανά μετά από το χρόνο αυτό και ρυθμίστε την εάν χρειάζεται.

Όταν είναι ζεστή η αλυσίδα μπορεί να μεγαλώσει και μπορεί να σέρνεται. Αυτό μεγαλώνει τον κίνδυνο να βγει η αλυσίδα από την λάμα. Για τον λόγο αυτό θα πρέπει αν ρυθμίσετε την αλυσίδα αφού ολοκληρώσετε την πρώτη σας εργασία.

Αφού η αλυσίδα έχει ρυθμιστεί όταν ήταν ζεστή όταν θα κρυώσει θα συρρικνωθεί και θα υπάρξει πολύ τάση στην αλυσίδα. Η αλυσίδα θα πρέπει να ρυθμιστεί ξανά αφού τελειώσετε την εργασία σας.

Σημαντικό – το τέντωμα της αλυσίδας θα πρέπει να ελέγχεται αρκετές φορές σε όλη την διάρκεια της εργασίας. Φοράτε πάντα γάντια για την εργασία αυτή.

Αφού η λάμα είναι εκτεθειμένη σε πολύ πίεση στο σημείο επιστροφής σας συστήνουμε να γυρνάτε την λάμα κάθε φορά που τροχίζετε την αλυσίδα για να αποφύγετε την φθορά σε μόνο μια πλευρά την λάμας.

Καύσιμα (B12)

Χρησιμοποιήστε μόνο μίξη βενζίνης και ειδικού λαδιού 2χρονου κινητήρα σε αναλογία 40: 1. Σημαντικό: Μην χρησιμοποιήσετε διαφορετική αναλογία και μην χρησιμοποιήσετε σκέτη βενζίνη.

Μην χρησιμοποιείτε καύσιμα τα οποία είναι πιο παλιά από 2-3 μήνες. Εάν δεν σκοπεύετε να χρησιμοποιήσετε το μηχανήμα για μεγάλο χρονικό διάστημα, αδειάστε το ρεζερβουάρ και γεμίστε το ξανά πριν να ξεκινήσετε την εργασία ξανά.

Αναλογία μίξης καυσίμου 40:1.

- Προσθέστε 4 λίτρα βενζίνη και 100 ml λαδιού 2χρονου κινητήρα σε ένα δοχείο και ανακατέψτε και τα δύο κουνώντας το δοχείο δυνατά.

Γεμίστε το ρεζερβουάρ.

- Ξεβιδώστε την τάπα καυσίμου αργά για να απελευθερωθούν οι πιέσεις και οι αναθυμιάσεις με ασφάλεια.

- Γεμίστε το ρεζερβουάρ με την μίξη χρησιμοποιώντας ένα χωνί και τοποθετήστε την τάπα ξανά στην θέση της.

Λίπανση αλυσίδας (B13-B15)

Το πριόνι παραδίδεται χωρίς λάδι.

Ξεβιδώστε την τάπα λαδιού. Γεμίστε το ρεζερβουάρ με λάδι αλυσίδας.

Μην χρησιμοποιείτε παλιό λάδι που έχει ξαναχρησιμοποιηθεί.

Σιγουρευτείτε ότι δεν εισχωρεί χώμα μέσα στο ρεζερβουάρ λαδιού.

Το πριόνι δεν θα πρέπει ποτέ να χρησιμοποιηθεί χωρίς λάδι.

Εάν το λειτουργήσετε χωρίς λάδι το πριόνι να υποστεί ζημιά σε μικρό χρονικό διάστημα.

Ελέγξτε το επίπεδο λαδιού και το σύστημα λίπανσης αλυσίδας πριν να ξεκινήσετε την εργασία.

Ελέγξτε την αυτόματη λειτουργία της λίπανσης της αλυσίδας κρατώντας την μύτη του πριονιού καθώς λειτουργεί κοντά σε ένα κομμάτι χαρτί στο έδαφος.

Κρατήστε απόσταση ασφαλείας. Εάν μπορείτε να παρατηρήσετε μια αυξανόμενη γραμμή λαδιού στο χαρτί το σύστημα λαδιού λειτουργεί σωστά.

Σιγουρευτείτε πάντα ότι η αντλία λαδιού είναι πάντα καθαρή και χωρίς χώματα. Εάν είναι αναγκαίο καθαρίστε την με ένα λεπτό αντικείμενο (όπως οδοντογλυφίδα ή σπύρο).

Προσοχή:

Μην προσπαθήσετε την ρυθμίσετε την αντλία λαδιού. Έχει ρυθμιστεί στην κατάλληλη θέση από το εργοστάσιο.

G
R

Φρένο αλυσίδας / Κινητήρα (B16)

Το πριόνι είναι εξοπλισμένο με ένα φρένο αλυσίδας/κινητήρα για την δική σας ασφάλεια.

Εάν το πριόνι κλωστήσει, το μπροστινό προστατευτικό του χεριού (4) θα χτυπήσει πάνω στο χέρι σας και θα ενεργοποιήσει το φρένο. Για να ξεκινήσετε ξανά το πριόνι, τραβήξτε το προστατευτικό προς τα πίσω με δύναμη. Η αλυσίδα θα σταματήσει μετά από 0,1 δευτερόλεπτο το πολύ.

Δοκιμάστε το φρένο κατά διαστήματα. Για να το κάνετε αυτό πιέστε το προστατευτικό (4) προς τα μπροστά και ξεκινήστε το πριόνι. Η αλυσίδα δεν θα πρέπει να κινείται. Απελευθερώστε το προστατευτικό. Τραβήξτε το προς το σώμα σας. Η αλυσίδα θα περιστρέφεται όταν ξεκινήσετε το πριόνι.

Οδηγίες κινητήρα

Ελέγξτε το πριόνι ανά τακτά χρονικά διαστήματα για σημάδια φθοράς.

Σιγουρευτείτε ότι όλα τα εξαρτήματα λειτουργούν σωστά. Σημειώστε ότι όλα τα εξαρτήματα θα πρέπει να τοποθετηθούν σωστά για να λειτουργήσουν σωστά.

Τα χαλασμένα ανταλλακτικά και εξαρτήματα θα πρέπει να αλλάχουν από εξουσιοδοτημένο σέρβις.

Εκκίνηση με κρύο κινητήρα (B17-B18)

- Τοποθετήστε το πριόνι με ασφάλεια στο έδαφος.
- Τραβήξτε το διακόπτη (18) στην λαβή προς τα πάνω.
- Πιέστε απαλά την κουμπιά αστάρι (23) oft αρκετά δεν υπάρχουν περισσότερες φυσαλίδες είναι ορατές (Περ. 5-6 φορές).
- Τραβήξτε το τσοκ (17) μέχρι έξω.
- Κρατήστε ασφαλή στάση.
- Κρατήστε το πριόνι με ασφάλεια στο έδαφος χρησιμοποιώντας το αριστερό σας χέρι.
- Τοποθετήστε το αριστερό σας πόδι στην πίσω λαβή (10).
- Τραβήξτε την χειρόμυζα (11) μέχρι έξω 3 με 5 φορές.
- Τραβήξτε την χειρόμυζα (11) μερικές φορές γρήγορα και δυνατά μέχρι το τέλος του σχοινιού μέχρι να ξεκινήσει το πριόνι.

Ζεστάνετε τον κινητήρα για 30 δευτερόλεπτα και απελευθερώστε τον μοχλό.

Παύση κινητήρα (B19)

- Επιτρέψτε στο κινητήρα να μειώσει σε ταχύτητα ρελαντί χωρίς καθόλου γκάτσι.
- Τοποθετήστε τον διακόπτη (18) στην λαβή στην θέση «STOP».

Εκκίνηση με ζεστό κινητήρα

- Η διαδικασία είναι η ίδια με την εκκίνηση του κρύου κινητήρα. Στην περίπτωση αυτή όμως ο μοχλός του τσοκ παραμένει πιεσμένος μέσα.

Λειτουργία με το πριόνι

Φοράτε γάντια, ωτοασπίδες, ρούχα προστασίας και κράνος.

Μην κόβετε ποτέ πάνω από το ύψος του ώμου σας.

Μην κόβετε με το ένα χέρι.

Μην κόβετε ενώ στέκεστε πάνω σε μια σκάλα, σε ένα δέντρο ή εάν δεν έχετε σταθερή στάση.

Ελέγξτε τα παρακάτω πριν να ξεκινήσετε το κινητήρα:

- είναι σωστή η τοποθέτηση της αλυσίδας.
- Είναι το ρεζερβουάρ γεμάτο.
- Είναι απελευθερωμένο το φρένο.
- Ξεκινήστε το πριόνι.

Κράτημα πριονιού (B20)

Κρατήστε την μπροστινή λαβή (9) με το αριστερό σας χέρι και την πίσω λαβή (10) με το δεξί σας χέρι.

Παύση πριονιού

Απελευθερώστε το γκάτσι (19).

Τοποθετήστε το διακόπτη (18) στην θέση «STOP».

Μην ακουμπήσετε κάτω το πριόνι μέχρι η αλυσίδα να σταματήσει τελείως.

Ρύθμιση καρμπυρατέρ

Το καρμπυρατέρ έχει ρυθμιστεί από το εργοστάσιο για να σας παρέχει την καλύτερη απόδοση. Εάν επιθυμείτε να βελτιώσετε αυτήν την ρύθμιση θα πρέπει να επικοινωνήσετε με κάποιο εξουσιοδοτημένο σέρβις.

Αποθήκευση

Καθαρίστε την αλυσίδα (2) και την λάμα (1) μετά από κάθε χρήση.

Τοποθετήστε το προστατευτικό της λάμας (3).

Οδηγίες λειτουργίας (B21-B27)

Ακολουθείστε όλες τις οδηγίες ασφαλείας.

Μην αφήνετε το πριόνι με χαλαρή αλυσίδα ή με αλυσίδα

που δεν είναι αιχμηρή. Τραβήξτε το μηχανήμα από το ξύλο ενώ η αλυσίδα κινείται.

Όταν κόβετε δέντρα που έχουν πέσει δώστε προσοχή διότι ο κορμός μπορεί να είναι ακόμα κάτω από πίεση.

Ένας κορμός με πίεση στο πάνω μέρος. Το δέντρο μπορεί να κινηθεί προς τα πάνω.

Ένας κορμός με πίεση στο κάτω μέρος. Το δέντρο μπορεί να κινηθεί προς τα κάτω.

Χρησιμοποιήστε έναν σφιγκτήρα (π.χ. ένα τραπέζι εργασίας) όταν μπορείτε.

Χρησιμοποιήστε το πριόνι μόνο για την κοπή ξύλων ή ξύλινων αντικειμένων. Προσέξτε τα ξένα αντικείμενα όπως πρύκες ή πέτρες. Εάν έρθουν σε επαφή με την κινούμενη αλυσίδα του πριονιού μπορεί να εκτοξευτούν και να προκαλέσουν ζημιά στο πριόνι ή τραυματισμό.

Όταν κόβετε ξύλο, η δαγκάνα (5) πρέπει να είναι τοποθετημένη σταθερά πάνω στο ξύλο και όταν το πριόνι ξεκινήσει θα πρέπει να εισχωρήσει στο ξύλο.

Κρατήστε το πριόνι, χρησιμοποιώντας την μπροστινή λαβή και τραβήξτε το προς τα πάνω χρησιμοποιώντας την πίσω λαβή. Η δαγκάνα μπορεί να χρησιμοποιηθεί σας σημείο περιστροφής για την ανάγκη αυτή. Για να επαναφέρετε το σημείο της δαγκάνας, πιέστε ελαφρά την μπροστινή λαβή και τραβήξτε το πριόνι προς τα πίσω.

Τώρα τοποθετήστε την δαγκάνα λίγο πιο βαθιά και τραβήξτε το πριόνι προς τα πάνω ξανά.

Για κοψίματα μεγάλου μήκους, το πριόνι θα πρέπει να τοποθετηθεί όσο το δυνατόν γίνεται πιο επίπεδα γίνεται.

Επειδή η δαγκάνα δεν μπορεί να χρησιμοποιηθεί σε αυτήν την περίπτωση δώστε μεγάλη προσοχή σε αυτά τα κοψίματα. Υπάρχει κίνδυνος ανάκρουσης.

Υπάρχει πάντα κίνδυνος ανάκρουσης εάν η μύτη από την λάμα ακουμπήσει ξύλο ή άλλα αντικείμενα. Αυτό μπορεί να κάνει το πριόνι αδύνατον να ελεγχθεί και μπορεί να προκαλέσει τραυματισμό.

Όποτε είναι δυνατόν, κόψτε με την κάτω πλευρά της λάμας διότι εάν κόψετε με την πάνω πλευρά το πριόνι θα κινηθεί προς το χρήστη εάν πιαστεί η αλυσίδα.

Στηριχτείτε στον κορμό όποτε μπορείτε όταν κόβετε τα κλαδιά ενός δέντρου.

Ειδικές προφυλάξεις για κόψιμο δέντρων:

Το κόψιμο δέντρων είναι πολύ επικίνδυνο και είναι απαραίτητη η εξάσκηση για την δουλειά αυτή. Εάν δεν γνωρίζετε την εργασία αυτή μην την επιχειρήσετε. Θα πρέπει να εκπαιδευτείτε πρώτα.

Μην προσπαθήσετε να κόψετε δέντρα των οποίων η διάμετρος των κορμών τους είναι μεγαλύτερη από το μήκος της λάμας.

Ένα δέντρο το οποίο πέφτει μπορεί να παρασύρει και άλλα δέντρα. Χρησιμοποιήστε πάντα το διπλό μήκος του δέντρου σαν περιοχή κινδύνου (πτώσης). Προσέξτε μην προκαλέσετε ζημιά σε καλώδια ρεύματος και τηλεφώνου.

Πριν να ξεκινήσετε να κόψετε ένα δέντρο θα πρέπει να σχεδιάσετε και μια διαδρομή δραπέτευσης. Η διαδρομή αυτή θα πρέπει να είναι από την αντίθετη μεριά από αυτή που περιμένετε να πέσει το δέντρο.

Δεν θα πρέπει να υπάρχουν θεατές, ζώα ή άλλα εμπόδια στην περιοχή πτώσης.

Εάν το πριόνι κολλήσει στο δέντρο μην προσπαθήσετε να το βγάλετε ενώ λειτουργεί ακόμα ο κινητήρας.

Χρησιμοποιείτε σφήνες για να ελευθερώσετε το πριόνι.

Λαμβάνοντας υπόψιν το κέντρο βάρους του δέντρου και την κατεύθυνση του αέρα, υπολογίστε την κατεύθυνση πτώση πρώτα. Σιγουρευτείτε ότι το πριόνι λειτουργεί πριν να το φέρετε σε επαφή με το δέντρο. Δημιουργήστε μια εγκοπή στο δέντρο (A) από την μεριά πτώσης.

Η εγκοπή πτώσης θα καθορίσει την κατεύθυνση πτώσης του δέντρου. Ελέγξτε την κατεύθυνση ξανά.

Στην περίπτωση που έχετε υπολογίσει την σωστή κατεύθυνση κόψτε ξανά την εγκοπή μέχρι το τέλος του κορμού.

Φωνάζτε: Πέφτει.

Τώρα κόψτε από την αντίθετη μεριά της εγκοπής (B).

Ξεκινήστε το κόψιμο πάντα από την εγκοπή.

Τοποθετήστε σφήνες στην εγκοπή. Αφήστε μια λωρίδα

G
R

ρήξης (C). Αυτό λειτουργεί σας μεντεσές. Ένα κόμπετε την λωρίδα ρήξης το δέντρο θα πέσει ανεξέλεγκτα.

Μην κόβετε δέντρα χωρίς την χρήση σφήνας.

Προσέξτε όταν πέφτει ένα δέντρο. Ελέγξτε την περιοχή και περιμένετε μέχρι να σταματήσει να τρέμει το ξύλο. Μην κόβετε δέντρα εάν δεν μπορείτε να δείτε όλες τις λεπτομέρειες του χώρου κοπής (λόγω βροχής, χιονιού, ομίχλης ή επειδή έχει βραδιάσει).

Μην κόβετε δέντρα εάν δεν μπορείτε να ελέγξετε την κατεύθυνση πτώσης λόγω των ισχυρών ανέμων.

Κόψτε δέντρα μόνο όταν έχετε σταθερό πάτημα.

Πεσμένα δέντρα ή κλαδιά μπορεί να είναι υπό πίεση.

Πραγματοποιείστε ένα κόψιμο για να μειώσετε την πίεση αυτή και μετά πραγματοποιήστε το πραγματικό κόψιμο.

Σέρβις και φροντίδα (B28-B29)

G
R

Αλυσίδα

Ρυθμίστε το τέντωμα της αλυσίδας ανά τακτά χρονικά διαστήματα όταν χρειάζεται.

Γυρίστε την λάμα μετά από πολύ χρήση και όταν αλλάζετε την αλυσίδα. Αυτό θα ισορροπήσει την φθορά της λάμα από την μεριά κοπής.

Τρόχισμα αλυσίδας

Η αλυσίδα θα πρέπει να επισκευάζετε από εξουσιοδοτημένο σέρβις.

Φίλτρο αέρος

Μετά από μεγάλη περίοδο λειτουργίας θα πρέπει να καθαρίσετε το φίλτρο αέρος. Η σκόνη και η γύρη θα κλείσουν τους πόρους του φίλτρου.

- Αφαιρέστε το καπάκι του φίλτρου (16) και καθαρίστε το φίλτρο μέσα σε σαπουνόνερο. Σημαντικό: Μην χρησιμοποιήσετε βενζίνη ή διαλυτικά.
- Στεγνώστε το φίλτρο πριν αν το χρησιμοποιήσετε ξανά. Ένα φθαρμένο φίλτρο θα πρέπει να αλλάζεται αμέσως για να μην μειώνει το χρόνο ζωής του κινητήρα.

Χρησιμοποιήστε ένα υγρό πανί για να καθαρίσετε τα πλαστικά μέρη του μηχανήματος. Μην χρησιμοποιήσετε καθαριστικά, διαλυτικά ή αιχμηρά αντικείμενα.

Καθαρίστε τις εγκοπές εξαιρισμού και τα κινούμενα μέρη του μηχανήματος ανά τακτά χρονικά διαστήματα

με μια μαλακή βούρτσα.

Μετά από μεγάλη περίοδο χρήσης, αφαιρέστε την λάμα και την αλυσίδα και καθαρίστε τα με μια βούρτσα.

Ρύθμιση μπουζί

Τουλάχιστον μια φορά το χρόνο ή εάν το μηχανήμα δεν ξεκινά εύκολα ελέγξτε το κενό στο μπουζί. Το σωστό κενό είναι 0,25"/0,63mm.

- Περιμένετε μέχρι να κρυώσει τελειώς ο κινητήρας.
- Αφαιρέστε το καπάκι του φίλτρου αέρος.
- Βγάλτε το καλώδιο από το μπουζί και ξεβιδώστε το μπουζί με ένα κλειδί.
- Εάν το ηλεκτρόδιο έχει υποστεί μεγάλη φθορά θα πρέπει να αλλάξετε το μπουζί με ένα καινούριο. Η φθορά στο μπουζί μπορεί να προέλθει από μεγάλη περιεκτικότητα λαδιού στην μίξη καυσίμου, κακή ποιότητα λαδιού, παλαιό μίγμα καυσίμου ή από μπλοκαρισμένο φίλτρο αέρος.
- Βιδώστε ξανά το καινούριο μπουζί.
- Σφίξτε το με ένα κλειδί.
- Η δύναμη θα πρέπει να είναι 12-15 Nm.
- Τοποθετήστε το καλώδιο στο μπουζί.
- Τοποθετήστε ξανά το καπάκι του φίλτρου αέρος.

Λίπανση αλυσίδας

Μπορείτε να ελέγξετε το καύσιμο μέσα από τον δείκτη που βρίσκεται πάνω στο ρεζερβουάρ.

Σημαντικό: Γεμίστε το δοχείο λαδιού πάντα πριν να συμπληρώσετε καύσιμα στο ρεζερβουάρ.

Τεχνικά χαρακτηριστικά

Δίχρονος αερόψυκτος κινητήρας

Κυβισμός:	45,1 cm ³
Ισχύς:	1,8 kW
Χωρητικότητα καυσίμου:	500 cm ³
Χωρητικότητα λαδιού:	240 cm ³
Μήκος κοπής:	360 mm
Μπουζί:	

L8RTF(NHSP LD); L8RTC (Torch); L8RTF(BOSCH)

Βάρος (χωρίς λάμα και αλυσίδα, με άδειο ρεζερβουάρ:

5,6kg

Επίπεδο θορύβου: 102,78 dB(A), K=2,5 dB(A)

Μέγιστο επίπεδο θορύβου: 110,07 dB(A), K=2,5 dB(A)

Κραδασμοί: 16

Μπροσινή λαβή: 5.650 m/s², K=1,5 m/s²

Πίσω λαβή: 6.027 m/s², K=1,5 m/s²

Μέγιστο μήκος λάμας: 16"

Βήμα αλυσίδας:	9,525mm
Πάχος αλυσίδας	1,27 mm (0,05")
Γρανάζι:	7 δόντια X 9,525 mm
Μέγιστες στροφές ρελαντί:	2700-3400 min
Μέγιστες στροφές κατά την κοπή:	11000min
Τύπος αλυσίδας:	Oregon 91P055X (for 16 ")
Τύπος λάμας:	Oregon 160SDEA095 (for 16 ")

Ο θόρυβος εργασίας μπορεί να υπερβεί τα 113 dB

ΕΠΙΣΚΕΥΕΣ



Χρησιμοποιήστε μόνο εξαρτήματα και ανταλλακτικά που προτείνει ο κατασκευαστής. Εάν το μηχάνημα παρουσιάσει κάποιο πρόβλημα δώστε το σε εξουσιοδοτημένο σέρβις για έλεγχο και

επισκευή.

Προστασία περιβάλλοντος

Μην πετάξετε το μηχάνημα, τα εξαρτήματα και την συσκευασία στα σκουπίδια αλλά δώστε τα σε κέντρο ανακύκλωσης. Μια μικρή προσπάθεια από την δική σας πλευρά μπορεί να κάνει πολύ καλό για το περιβάλλον μας.


Επιπλέον κίνδυνοι

Ακόμα και εάν χρησιμοποιείτε το μηχάνημα σωστά υπάρχουν κάποιοι κίνδυνοι που δεν μπορούν να εξαλειφθούν. Από την φύση και τον σχεδιασμό του μηχανήματος οι ακόλουθοι κίνδυνοι μπορεί να προκύψουν:

- Επαφή με την αλυσίδα
- Ξαφνική ή απότομη κίνηση της λάμας
- Εκτόξευση αντικειμένων από την αλυσίδα.
- Εκτόξευση αντικειμένων από το υλικό εργασίας.
- Πρόβλημα στην ακοή, εάν δεν φοράτε ωτοασπίδες.
- Εισπνοή υλικού κοπής.
- Κίνδυνος κλωστήματος.
- Το μηχάνημα παράγει ηλεκτρομαγνητικό πεδίο κατά την λειτουργία. Το πεδίο αυτό μπορεί να επηρεάσει ιατρικά εμφυτεύματα. Για την μείωση κινδύνου τραυματισμού σας συμβουλευτείτε τον γιατρό σας πριν να χρησιμοποιήσετε το μηχάνημα αυτό.

G
R

Προβλήματα

Πρόβλημα	Αιτία	Λύση
Ο κινητήρας κάνει διακοπές	Λάθος ρύθμιση καρμπυρατέρ	Δώστε το σε εξουσιοδοτημένο σέρβις για ρύθμιση
Ο κινητήρας ξεκινά αλλά βγάζει λίγη δύναμη	Λάθος ρύθμιση τσοκ Φίλτρο αέρος βρώμικο Λάθος ρύθμιση καρμπυρατέρ	Τοποθετήστε το στο  Αφαιρέστε το φίλτρο, καθαρίστε το, στεγνώστε το και τοποθετήστε το ξανά. Δώστε το σε εξουσιοδοτημένο σέρβις για ρύθμιση
Ο κινητήρας δεν ξεκινά ή ξεκινά αλλά σταματά πάλι	Λάθος διαδικασία εκκίνησης Λάθος ρύθμιση καρμπυρατέρ Φθαρμένο μπουζί	Ακολουθήστε τις διαδικασίες της κρύας εκκίνησης Δώστε το σε εξουσιοδοτημένο σέρβις για ρύθμιση Καθαρίστε ή αλλάξτε το μπουζί
Ο κινητήρας δεν λειτουργεί ομαλά	Λάθος κενό στο μπουζί Καμένο μπουζί	Καθαρίστε, ρυθμίστε ή αλλάξτε το μπουζί
Υπερβολική εκπομπή καπνού	Λάθος ρύθμιση καρμπυρατέρ Λάθος μίξη καυσίμου	Δώστε το σε εξουσιοδοτημένο σέρβις για ρύθμιση Αδειάστε το ρεζερβουάρ και γεμίστε το ξανά με την σωστή μίξη: αναλογία 40:1

Δήλωση συμμόρφωσης

GR δηλώνει την παρακάτω συμμόρφωση κάτω από την Οδηγία της Ε.Ε. και τα στάνταρ του παρακάτω άρθρου

Инструкции за безопасност и предупреждения



Прочетете внимателно инструкциите преди употреба.



Поддържайте минимално разстояние от 15м. между машината и други лица по време на работа.



Носете специализирани-антисони, каска и очила.



Носете здрави непързалици се обувки.



Носете износоустойчиви и здрави ръкавици.



Носете износоустойчиво и здраво работно облекло.



Изгорелите газове са отровни и могат да предизвикат задушаване.



ВАЖНО! Риск от пожар. Бензина и бензиновите пари са силно запалими.



ВНИМАНИЕ! Не използвайте триона при дъжд или влага. Предпазете го от влага.



Предпазете се от откат на триона. Дръжте здраво триона с две ръце по време на употреба.



Дръжте триона с дясната ръка за задната дръжка, а с лявата ръка на предната дръжка.



Не докосвайте ауспуха или цилиндъра. Можете да се изгорите. Частите се нагряват много по време на работа.

След като изключите триона те могат да останат горещи за кратко време.



Блокажа на веригата е **ИЗКЛЮЧЕН** (веригата може да се движи) когато **ЛОСТА НА БЛОКАЖА**

Е ДРЪПНАТ НАЗАД И ЗАКЛЮЧЕН. Блокажа на веригата е **ВКЛЮЧЕН** (веригата не може да се движи) когато лоста на блокажа е в предна позиция.

Не трябва да можете да движите веригата.



Гарантирано ново на шум L_{WA} : 113 dB(A)



Внимателно натиснете бутона на стартера няколко пъти докато спрете да виждате балончета (около 5-6 пъти).

B
G



Тази машина е в съответствие с правилата за безопасност за бензинови машини.

Прочетете внимателно и подробно ръководството преди да започнете работа с машината.

Неправилно използване може да доведе до наранявания и увреждане на имущество.

Лица, които не са запознати с инструкция за употреба, не трябва да използват машината, Съхранява на инструкцията на безопасно място. Не се разрешава деца и млади хора да използват машината.

Правилно използване

Тази машина е предназначена изключително за рязане дървесина, например дънери, клони, дъски, и т.н. Ако се използва за други цели, или ако са направени модификации по нея, производителят не може да носи отговорност. Също така вижте инструкциите за безопасност, сглобяване и инструкцията за работа, а също и на общите предписания за предотвратяване на злополуки.

**B
G**

Инструкции за безопасност

Не стартирайте или използвайте бензиновият трион близо до други хора или животни. Не използвайте машината, ако сте уморени или разсеяни или вашите реакции са затруднени поради консумацията на алкохол или медикаменти. Невниманието може да доведе до сериозни наранявания.

Носете специализирани защитни очила.

Носете специализирани антифони.

Носете качествени ръкавици.

Носете работни обувки с добро качество с подметки против подхлъзване и със стоманени бомбета. Никога не използвайте машината със сандали или боси.

Носете специализирана предпазна каска при всички случаи на извършване на работа в гора.

Не носете широко облекло или бижута. Носете дълги панталони, за да предпазите краката си. Носете шапка на главата, ако имате дълга коса. Широкото облекло, бижута и дълга коса биха могли да бъдат уловени от движещите се части. Да се носи

подходящо, плътно прилепнало работно облекло. Дръжте тялото си и дрехите далеч от триона при стартиране на двигателя и докато работите. Уверете се, че сте се стоите на равна и сигурна повърхност по време на работа. Не ходете назад докато носите машината, за да избегнете спъване. Не заставайте в неестествени пози. Ако използвате бензиновият трион за продължителни периоди от време, може да се причинят проблеми с циркулацията причинени от вибрациите (бял пръст). Не е възможно да се осигурят точни подробности относно продължителността на употреба във всеки случай, тъй като тя може да се различава от човек на човек. Следните фактори могат да се отразят на това явление: циркулацион-ни проблеми в ръцете на потребителя, ниски външни температури и продължителни периоди на употреба. Ние следователно Ви препоръчваме да се носят топли ръкавици и да правите редовни почивки. Емисиите от двигателя са токсични и могат да причинят задушаване. Не стартирайте бензиновият трион в затворени или лошо вентилирани участъци. Пълнете резервоара за гориво на открито или в достатъчна степен на проветриви места. Бензина и бензиновите изпарения са лесно запалими. Дръжте далеч от запалими материали и източници на запалване, като горещи печки и фурни. Да не се пуши, докато зареждате с гориво или докато работите с машината.

Подсушете разлетят бензин веднага. Стартирайте триона далеч от мястото на презареждане. Уверете се, че капакът на резервоара е винаги добре затворен. Внимавайте за възможни течове. Не отваряйте капака на резервоара или да зареждате с гориво машината докато двигателят работи или когато машината е гореща. Отворете капака на резервоара бавно, така че бензиновите изпарения да излязат. Уверете се, че дръжките са чисти, сухи и без на бензинова смес. Не използвайте машината без ауспуха. Може да се изгорите, ако пренебрегнете това. Използвайте само препоръчания в това ръководство гориво.

Дръжте бензина в съдове, предназначени за тази цел и на сигурно място. Изключете машината преди да я оставите. Работете само на дневна светлина или на добра изкуствена светлина. Направете визуална проверка на машината преди употреба. Уверете се,

че всички винтове и конектори са стегнати. Винаги дръжте машината здраво с двете си ръце. Проверете машината и нейните компоненти и оборудването за безопасност всеки път преди употреба за признаци на повреда и износване и при наличие ремонтирайте незабавно. Никога не оставяйте оборудването за безопасност нефункционално. Не използвайте машината, ако откриете признаци на повреда или износване. Не претоварвайте машината и не я използвайте за работа, за която не е предназначена. Уверете се, че вентилационните отвори са винаги свободни от мръсотия. Съхранявайте машината на място далеч от деца. Проверете машината за повреда след всякакви удари и др.. Използвайте само препоръчаните от производителя аксесоари. Триона да се ремонтира само от обучен персонал и да се използват само оригинални резервни части. Това ще гарантира безопасността на машината. Да не се използва триона до запалими течности или газове или в мокра или влажна среда. Ако пренебрегнете това, съществува риск от пожар или експлозия. Никога не оставяйте машината да работи без надзор. Работете само в подходящи условия на осветление. Вие сте отговорни за безопасността в района, в който Вие работите.

Дръжте инструментите чисти и в добро работно състояние, така че по-лесно и по-безопасно да се работи. Носете подходящо работно облекло като ръкавици, каска, очила или визиори за безопасност и дълги панталони изработени от здрав материал. Докато работи винаги дръжте триона на достатъчно разстояние от тялото Ви. Винаги изключвайте машината по време на почивка и при смяна на мястото. Изчакайте, докато триона спре и изключете двигателя. Никога не оставяйте машината без надзор на работното място. Съхранявайте машината на безопасно място по време на почивките. Винаги изключвайте машината при смяна на местоположението. Персоналът работещ с триона не трябва да бъдат разсейван. Това може да го накара да загуби контрол над машината.

Никога не използвайте машината в дъжд, в мокра или влажна среда и не го съхранявайте на открито. Ако машината се намокри, изчакайте, докато тя

е напълно суха, преди да го използвате отново. Защитете машината от дъжд и влага. Винаги дръжте триона с две ръце, когато работи двигателя. Използвайте зъбеца, за да позиционирате триона за всеки разрез и винаги започвайте всеки разрез с движеща се верига. Завършвате разреза по такъв начин, че трионът да не се затисне в дървото. Обърнете специално внимание на клони, които са под напрежение. Издърпайте триона от дървото, докато веригата все още се движи. Никога не режете с една ръка над височината на раменете. Винаги стоите перпендикулярно на наклона, когато използвате триона под наклон. Винаги стоите на страната на падащите дървета. Никога не стартирайте разрез с върха на дъската и никога не режете с помощта на върха на дъската - опасност от откат! Винаги има риск от откат, ако върхът на дъската докосне дърво или други предмети. Това прави триона невъзможен да се контролира и може да доведе до връщане с голяма сила към оператора. Винаги режете по един клон.

Гледайте съседните клонове, когато подрязвате дърво. Никога не използвайте машината като лост за преместване на обекти. Винаги използвайте предпазителя на веригата за транспортиране на моторния трион.

Преди употреба

Проверете машината и веригата за да сте сигурни, че те са в изправност и безопасни за употреба. Проверете функцията на системата за смазване на веригата и нивото на маслото. Проверете натягането на веригата и функцията на спирачката на веригата.

Компоненти (B1-B2)

1. Дъска/шина
2. Верига
3. Предпазител
4. Спирачка / предпазител на ръцете
5. Опорен зъбец
6. Капак зъбно колело
7. Болтове за шината
8. Болт за настройка на веригата

B
G

9. Предна дръжка
10. Задна дръжка
11. Стартерно въже
12. Капак на масления резервоар
- 13 Капак на горивния резервоар
14. Предпазител
15. Гаечен ключ, ключ за свещите и филтърния капак
16. Капак на възд. филтър
17. Смукач
18. Контролен прекъсвач
19. Лост на газта
20. Канал масло
21. Туба за смесване на гориво
22. Отвертка
23. Бутон стартер

Сглобяване (B3-B4)

Веригата на триона и шината не се доставят готови сглобени. За да избегнете наранявания, носете ръкавици при монтирането на веригата, когато опъвате веригата и по време на проверката на напрежението на верига.

Поставете шината

- Първо изключете верижната спирачка. За тази цел натиснете предпазителя на ръцете (4) към горната дръжка.

- Свалете капака на зъбното колело (6) като отвиете болтовете (7).

- Сложете опорния зъбец (5) в съответствие с фигура (B31) с помощта на ключа за запалителната свещ .

- Сложете шината (1) с назъбения край на двата болта (7).

Поставяне на веригата (B5-B9)

- Поставете веригата (2) в една линия. Уверете се, че режещите точки сочат в посока на часовниковата стрелка.

- Сложете веригата (2) над съединителя към зъбно колело на резачката. Уверете се, че верижни връзки са разположени точно между зъбите на зъбно колело.

- Сега поставете веригата (2) над върха на шината.

Уверете се, че верижните звена са разположени в шината бразда.

Веригата на триона ще провисне надолу.

- Сега сложете капака на зъбно колело (6) отново.

Уверете се, че капака пасва на отвора на шината.

Само тогава ще е възможно да се сложи капака на зъбно колело (6) правилно.

Важно! Веригата не трябва да се изважда от шината (1).

Верижните звена трябва да бъдат разположени точно между зъбите на зъбно колело.

- Сега сложете двата винта (7) отново. Само ги затегнете с ръка на този етап.

Стягане на веригата на триона (B10-B11)

Уверете се, че винтовете (7) за регулиране веригата на триона (2) са стегнати само ръката.

Отвъртете ги ако е необходимо.

- За да стегнете веригата(2), завъртете болта за настройка (8) по посока на часовниковата стрелка с помощта на подходяща отвертка.

- За да отпуснете веригата(2), завъртете болта за настройка (8) обратно на часовниковата стрелка с помощта на подходяща отвертка.

Напрежението на веригата на триона (2) е правилно, ако тя може да бъде повдигнат максимум 2 - 3 mm в центъра на шината (1).

- Затегнете винтовете здраво, след като сте коригирали веригата.

Бележки

Нова верига (2), я оставате да поработи. 5 минути преди да режете с нея . Проверете натягането на веригата отново след този момент и го коригирайте, ако необходимо.

Когато е топла, веригата на триона (2) се разширява и може да изкриви. Това поражда риск веригата (2) да излезе от шината. Следователно вие трябва да регулирате опъването на веригата (2) след сте извършили първото си рязане.

Тъй като веригата (2), която е била опъната когато е топла ще се свие като тя се охлади и това ще доведе до прекомерно напрежение във верига, напрежението трябва да се намали, след като сте приключили с рязането.

ВАЖНО - опъването на веригата (2) трябва да бъде проверено няколко пъти в течение на един работен ден. Винаги носете ръкавици за тази работа.

Тъй като шината (1) е обект на особено високо напрежение в точката на връщане, препоръчваме шината да се обръща всеки път, когато се остри веригата, така че да се избегне износването на едната страна.

Гориво (B12)

Използвайте само смес от безоловен бензин и специално 2-тактово масло в съотношение 40: 1.

Важно: Не използвайте различно съотношение и не използвайте чист бензин.

Да не се използва гориво, ако е по-старо от 2-3 месеца. Ако не възнамерявате да използвате триона за продължителен период от време, изпразнете резервоара и го напълнете преди да започнете работа отново.

Смесете бензин в съотношение 40: 1

- Добавете на 4.0 литра бензин на 100 мл 2-тактово масло в резервоар за гориво и се смесете двата компонента с разклащане.

Напълнете резервоара

- Развийте капака на резервоар (13) бавно, така че парите да излязат безопасно.

- Напълнете резервоара с 40: 1 смес, използвайки фуния и завийте капачката на резервоар (13) обратно на мястото си.

Смазване на веригата (B13-B15)

Верижният трион е доставен без масло.

Развийте капака на масления резервоар (12).

Напълнете резервоара за масло с биологично разградимо масло. Никога не използвайте рециклирано масло или използвано масло.

Уверете се, че не е влязла мръсотия в резервоара за масло. Верижният трион никога не

трябва да се експлоатира без масло. Ако триона се експлоатира без масло, триона ще се повреди в рамките на много кратък период от време.

Проверете нивото на маслото и

системата за смазване на веригата преди всяко започване на работа. Проверете автоматичната функция на смазване на веригата като задържите на върха на шината при работещ трион срещу лист хартия сложен на земята.

Спазвайте безопасна дистанция! Ако видите увеличаващо се маслено петно то автоматичната система за смазване работи правилно, когато трионът работи.

Уверете се, че канала за масло (20) е чист от мръсотия по всяко едно време. Ако е необходимо го почистете с тънък предмет (като клечка за зъби или кибритена клечка).

Внимание:

Не се опитвайте да регулирате циркулацията на масло в маслена помпа. тя е коригирана в оптимална позиция, преди да го напусне фабриката.

Двигател / Верига спирачка (B16)

Този трион е оборудван с двигател / спирачка на веригата за ваша безопасност. Ако трионът даде откат, предпазителя (4) ще се удари в ръката Ви и ще задейства спирачката. За рестартиране на триона, издърпайте предпазителя на ръката назад към предната ръкохватка. Веригата ще спре след максимум 0.1 сек. Правете проверка за функцията от време на време. За да направите това, натиснете предпазителя (4) напред и включете триона за кратко. Веригата не трябва да започне да се движи. Освободете предпазителя.

B
G

Инструкции

Проверявайте триона на редовни интервали за признаци на повреди.

Уверете се, че всички части работят правилно. Моля, имайте предвид, че всички части трябва да бъдат сложени правилно за да функционират правилно.

Поправете веднага повредени части в сервис.

Стартиране, когато двигателят е студен (B17-B19)

- Поставете бензиновия трион безопасно на земята.
- Преместете превключвателя (18) в посока нагоре.
- Внимателно натиснете стартерния бутон (23) достатъчно често, че да не видите повече мехурчета са видими (прибл. 5-6 пъти).

- Дръпнете лоста на смукача (17) навън, доколкото е възможно.
- Застанете в безопасна поза.
- Дръжте бензинов трион здраво на земята с лявата ръка.
- Поставете десния си крак в дупката на задната дръжка (10).
- Дръпнете стартерния кабел (11) доколкото е възможно 3-5 пъти.
- Смукача се връща автоматично при натискане спусъка.
- Дръпнете стартерния кабел (11) няколко пъти бързо до самия край на кабела, докато стартира на двигателя.
- Загрейте двигателя в продължение на 30 секунди.
- Стегнете и отпуснете спусъка.

Спиране на двигателя (B19)

- Оставете двигателя да се забави на празен ход без каквато и да е газ.
- Преместете превключвателя (18) в посока надолу, до "STOP".

**B
G**

Стартиране, когато двигателят е топъл

- Процедурата е идентична за стартиране, когато двигателя е студен. Въпреки това, в този случай смукача (17) остава на вътре.

Работа с триона

- Носете ръкавици, антифони, защитно облекло и каска с визиор.
- Никога не режете по-нагоре от височината на рамото. Никога не режете с една ръка. Никога не режете на стълба, на дърво или ако не сте на твърда основа.
- Проверете следното, преди стартиране на двигателя:
- Правилно ли е напрежението на веригата?
 - Пълнен ли е масления резервоар?
 - Освободена ли е спирачката на веригата?
 - Започнете рязане.

Държане на триона (B20)

Дръжте предната ръкохватка (9) с лявата си ръка и задната ръкохватка (10) с дясната си ръка.

Изключване на триона

Освободете лоста за газта (19). Завъртете контролния ключ (18), на << STOP >>. Не оставяте триона, докато веригата не е напълно спряла.

Регулировка на карбуратора

Карбураторът е фабрично настроен да осигури възможно най-добро представяне. Ако желаете да се подобрят настройките, свържете се с сервиза.

Съхранение

Почистете веригата на триона (2) и шината (1), след всяка употреба. Монтирайте предпазителя на веригата (3).

Инструкции за работа (B21-B27)

Спазвайте всички правила за безопасност. Никога не режете, със свободна или ненаострена верига. Винаги дърпайте машината от дървото, докато веригата все още се движи. При рязане паднали дървета, моля, имайте предвид, че те могат да бъдат под напрежение. Дърво под напрежение на върха. Дървото може да подскочи нагоре. Дърво под напрежение на дъното. Дървото може да подскочи надолу. Използвайте стеги когато възможно. Използвайте триона за дърва или дървени предмети. Гледайте за чужди тела като пирони или камъни. Ако те влязат в контакт с движещата се верига, те могат да се изстрелят и е възможно също да повредят и веригата. При рязане на дърво, опорния зъбец (5) трябва да бъде позициониран здраво срещу дървото и след като триона е стартиран можете да режете. Дръжте триона с помощта на предната ръкохватка и издърпайте триона нагоре с помощта на задната ръкохватка. Опорния зъбец може се използва като опорна точка за тази цел. За да

промените позицията на зъбеца, натиснете леко върху предната ръкохватка и дръпнете триона назад леко.
Сега поставете зъбеца малко по-дълбоко и след това дръпнете дръжката нагоре отново.
За надлъжни срязвания, триона трябва да бъде поставен в ъгъл, колкото е възможно.

Опорния зъбец не може да се използва в този случай, обърнете специално внимание при тези разрези. Опасност от откат!

Винаги има риск от откат, ако върхът на шината докосне дърво или други предмети. Това прави триона невъзможно да се контролира и може да доведе той да се върне с голяма сила към оператора. Когато е възможно, винаги режете с долната част на шината, тъй като, ако режете с горната част на шината, то триона ще се върне към оператора, ако веригата се заклещи.

Специални предпазни мерки за отрязване на дървета:

Отрязването на дървета е изключително опасно и е необходимо обучение за извършване на тази работа. Ако не сте запознати с тази работа, не трябва да го правите. Трябва да първо да се обучите.

Падащото дърво може също да повлече други дървета. Винаги използвайте два пъти дължината на дърво като опасна площ (площ на падане). Погрижете се да не повредите електрически и телефонни кабели.

Преди да започнете да режете едно дърво, трябва да се планира и да се изчисти път за бягство.

Аварийният маршрут трябва да бъде в посока, обратна на очакваната посока на падане.

Не трябва да има зрители, животни или препятствия в областта за сеч.

Ако шината заседне в дървото, никога не се опитвайте да я освободите когато двигателят работи. Използвайте дървени клинове да освободите триона. Като се има предвид центъра на тежестта на короната и посоката на вятъра, изчислете посоката на първо място. Уверете се, че триона е работещ непосредствено преди влизането му в контакт с дървото. Изрежете прорез в дървото (А) в посоката на падане. Този прорез ще води дърво и ще определи посоката, в която попада. Проверете

посоката на падане отново. В случай, че трябва да се коригира посоката на падането, изрежете вдлъбнатината по цялата ширина на ствола.

Извикайте "Внимание Дърво".

Сега изрежете разрез (В) на страната на дървото срещу вдлъбнатината. Започнете това над дъното на вдлъбнатината.

Поставете клинове в разреза внимателно.

Махнете изрязъка (С). Това е от съществено значение. Ако Режете през изрязъка, дървото ще падне извън контрол.

Отдръпнете се, когато дървото пада. Проверете короната. Изчакайте, докато коронката спре да се клати.

Никога режете дървета, ако не можете да виждате всички детайли в областта на отсичане (заради дъжд, сняг, мъгла или здрач).

Никога режете дървета, ако не можете да контролирате Посоката на падане поради силни ветрове.

Режете дървета само ако имате абсолютно безопасна основа на стоење.

Лежащите дървета или клони може да са под напрежение.

Направете разрез за облекчаване на това напрежение на първо място, и тогава срежете.

Внимание: След като работите с триона при пълно натоварване за дълго време, трябва да оставите двигателя да поработи на празен ход докато, докато охлаждащия въздух отнеме голяма част от топлината.

По този начин ще охладите машината и ще предпазите задвижващия механизъм от прегряване. След рязане. Необходимо е да се разхлаби веригата, ако Е опъната на работна температура. Защото верига се свива по време на охлаждане и това ще навреди колянвия вал и лагера, ако не се разхлаби.

Сервизиране и обслужване (B28-B30)

Верига

Обслужване на веригата и шината
Регулирайте опъването на веригата на триона (2) от време на време, когато е необходимо.

Завъртете шината (1) след продължителна употреба или когато сменят веригата (2). Това ще компенсира износването на шината.

B
G

Заостряне на веригата

Веригата на триона (2) следва да се обслужва от обучен специалист.

Въздушен филтър

След дълъг период на употреба, трябва да се почисти въздушния филтър. Прах и стърголни ще блокират порите на въздушния филтър.

- Премахнете капака на въздушния филтър (16) и измийте въздушния филтър с мек сапун.

Важно:

Не използвайте бензин или разтворители.

- Изсушете филтърът преди да го използвате отново. Повреден въздушен филтър трябва да се смени веднага, така че да не се намали срока на експлоатация на двигателя.

Използвайте влажна кърпа за почистване на пластмасовите части. Не използвайте почистващи препарати, разтворители или остри обекти.

Почистете прахови натрупвания от вентилационните отвори и движещи се части на редовни интервали с помощта на мека четка.

След дълъг период на употреба, отстранете шината и веригата и ги почистете с четка.

**B
G**

Настройка на свещта

Най-малко веднъж годишно или ако двигателят не стартира лесно, проверете разстоянието между електродите на запалителната свещ.

Правилното разстояние между конзолата и контакта е 0.25 "/0.63 мм.

- Изчакайте, докато двигателят е напълно студен.

- Махнете на капака на въздушния филтър.

- Махнете капачката на свещта и развийте свещта с помощта на гаечния ключ.

- Ако електрода е прекомерно износен, запалителната свещ трябва да бъде заменена със същата. Отлагания по запалителната свещ може да бъдат причинени от твърде високо съдържание на масло в горивната смес, лошо качество на маслото, бензиновата смес е твърде стара или въздушния филтър е блокиран.

- Завийте свещта на ръка.

- Сега затегнете запалителната свещ с помощта на гаечния ключ.

- Ако използвате динамо метричен ключ, въртящ момент е 12-15 Nm.

- Сега сложете капачката на свещта .

Поставете отново капака на въздушния филтър.

Смазване на веригата

Горивото може да се провери чрез прозорчето на резервоара за гориво.

Важно: Моля, напълнете догоре резервоара масло преди зареждане на резервоара за гориво всеки път.

Технически данни

2-тактов двигател с въздушно охлаждане SPS1E43F3

Обем: 45,1 cm³

Макс. мощност на двигателя: 1,8 kW

Капацитет на резервоара за гориво: 500 cm³

Капацитет на масления резервоар: 240 cm³

Дължина на рязане: 360 mm

Запалителна свещ:

L8RTF(NHSP LD); L8RTC (Torch) ;L8RTF(BOSCH)

Тегло (Без шината и веригата, празен резервоар):

5,6 kg

Ниво на звуково налягане (L_{PA}):

102,78 децибела (A), K = 2,5 db (A)

Свукува мощност (L_{WA}):

110,07 децибела (A), K = 2,5 db (A)

Вибрация:

Макс. предна дръжка: 5.650 m / s², K = 1.5 m / s²

Макс. задна дръжка: 6.027 m / s², K = 1.5 m / s²

Дължина макс: 16 "

Верига стъпка: 9,525 мм

Шаблон верига: 1,27 мм

Зъбно колело: 7 X 9,525 мм

Работа на празен ход на двигателя: 2700-3400 мин⁻¹

Максимална скорост: 11 000 мин⁻¹

Верига Тип: Oregon 91P055X (for 16 ")

Водач тип: Oregon 160SDEA095 (for 16 ")

Нивото на шума може да превишава 113 децибела.

Ремонти

Използвайте само аксесоари и резервни части, препоръчани от производителя. Ако машината се повреди въпреки контролът на качеството Вашите грижи, ремонтните работи да се извършват само от обучен персонал.

Опазване на околната среда



Не изхвърляйте машината или аксесоарите в кофата за боклук, а се подсигурете че тя може ще се рециклира.

Малки усилия от Ваша страна може да направи голяма услуга за нашата околна среда.

Остатъчни рискове

Дори и при правилно използване на инструмента винаги има остатъчен риск, който не може да се изключи. От естеството и дизайн на инструмента, следните потенциални опасности могат да се получат:

- Контакт с незащитена верига (срязване);
- Контакт с движеща се верига (срязване);
- Неочаквано, внезапно движение на шината (срязване);
- Изхвърляне на части на веригата;
- Изхвърляне на части от материала, които се реже;
- Загуба на слуха, ако не се носят предпазни средства;
- Вдишването на материала които се реже;
- Риск от откат;

- Това устройство създава електромагнитно поле по време на работа! Това поле може да навреди на активни или пасивни медицински импланти при определени обстоятелства!

За да се намали риска от сериозно или фатално нараняване, ние препоръчваме лицата с медицински импланти да се консултират с лекар и производителя на медицински имплант преди инструмент да се използва!

Проблем	Възможна причина	Решение
Двигателя спира	Неправилни настройки на карбурато-ра	Карбуратора да се настрои от професионалист или се свържете със сервиза
Двигателя работи но има ниска мощност	Неправилни настройки на смукача Мръсен възд. филтър Неправилни настройки на карбурато- ра	Преместете на ↑ Махнете възд. филтър почистете го и го върнете обратно Карбуратора да се настрои от професионалист или се свържете със сервиза
Двигателя не тръгва или тръгва но веднага спира	Неправилен старт Неправилни настройки на карбурато- ра Замърсена свещ	Следвайте инструкциите „Стартиране на студен двигател“ Карбуратора да се настрои от професионалист Почистете свеща или я заменете
Двигателя работи неравномерно	Неправилно разстояние на електро- дите на свеща Изгоряла свещ	Почистете свеща коригирайте разстоянието (0,25"/0,63мм.) или я заменете
Прекомерно много дим	Неправилни настройки на карбурато- ра Неправилна смес на горивото	Карбуратора да се настрои от професолналист Изпразнете резервоара и го напълнете с правилната смес.

B
G

Biztonsági utasítások és figyelmeztetések



Beüzemeltetés előtt olvassa el a használati útmutatót!



Ügyeljen arra, hogy üzem alatt tartsa be más gép és más személyek között a legalább 15 m-es távolságot!



Használjon engedélyezett zajvédő fültokat, fejtető sisakot és védőszemüveget!



Viseljen csúszásgátló és jó ellenálló képességű védőcipőt!



Viseljen jó minőségű és jó ellenálló képességű védőkesztyűt!



Viseljen jó minőségű és jó ellenálló képességű munkaruházatot!



A keletkező gázok mérgezőek, és fulladást okoznak!



FIGYELEM tűzveszély! A benzin és a benzingőzök könnyen meggyúladnak!



A készüléket ne használja esőben, vagy ne tegye ki az esőre.



Védje magát a láncfűrész visszaütése ellen. Használat közben tartsa mindkét kezével biztosan a láncfűrész.



Fogja meg a láncfűrész a jobb kezével a hátsó fogantyúnál, bal kezével a mellső fogantyúnál.



A forró kipufogó, vagy henger megérintésekor fennáll a súlyos sérülés veszélye, mivel ezek a részek a motor működésekor magas hőmérséklet alatt állnak. A készülék kikapcsolása után is ezek az alkatrészek még egy ideig forróak maradnak.



A láncfék KIOLD (a lánc mozoghat), amikor a FÉKKART HÁTRA HÚZZA ÉS RÖGZÍTI. A láncfék RÖGZÜL (a lánc rögzített), amikor a fékkart előre tolják. Ezután a lánc nem mozoghat.



A hangteljesítmény szintje L_{WA} : 115 dB(A)



Nyomja meg az indítópumpa gombot könnyedén annyiszor, amíg nincs benne több buborék (kb. 5-6 x).

H
U



Ez a készülék megfelel a benzin-eszközökre előírt biztonsági meghatározásoknak.
H Olvassa el figyelmesen a használati útmutatót, mielőtt az eszközt üzembe helyezi.

A szakszerűtlen használat személyi sérüléshez és anyagi károkhoz vezethet. Azok a személyek, akik nem jártasak a használati útmutatóban, nem használhatják az eszközt. Gondosan őrizze meg a használati útmutatót.

Gyermek és fiatalok számára nem megengedett az eszköz használata.

Rendeltetésszerű használat

A fűrész kizárólag csak fa, pl. fatörzs, galyak, deszkák stb. fűrészelésére alkalmas. Nem rendeltetésszerű használatkor, valamint a gépen való változtatásokért a gyártó semmiféle felelősséget nem vállal.

Ügyeljen a biztonsági utasításokra, a szerelési-, és használati útmutatóra, valamint ezen kívül általánosan érvényben lévő balesetmegelőzési előírásokra.

Biztonsági utasítások

H
U

A benzin-eszköz használatát nem szabad személyek, vagy állatok közelében sem beindítani, sem pedig használni.

Ne használja az eszközt, ha fáradt, vagy nem tud koncentrálni, vagy az Ön reakciós képessége az alkohol, vagy gyógyszerek által befolyásolt.

A figyelmetlenség súlyos sérülésekhez vezethet.

Használjon engedélyezett védőszemüveget. Használjon engedélyezett zajvédő fültokot. Használjon jó minőségű védőkesztyűt.

Használjon csúszásgátló védőcipőt biztonsági acél betéttel. A géppel soha ne dolgozzon szandálban, vagy mezítláb.

A fairtási munkáknál feltétlenül használjon védősisakot és esetleg országunként specifikusan előírt védőruházatot.

Ne viseljen bő ruházatot és ékszert. Viseljen hosszú nadrágot a lábai védelme érdekében. Hosszú hajnál használjon fejfedőt.

A mozgó részek megragadhatják a laza ruházatot, az

ékszert és a hosszú haját.

Viseljen megfelelően erős, testhezálló munkaruházatot.

Tartsa távol a láncfűrészről a testrészeit és ruházatát, amikor a motort beindítja, vagy járítja.

Munkavégzéskor ügyeljen arra, hogy stabilan és biztosan álljon. A borulásveszély miatt kerülje el, hogy az eszközzel visszafelé lépjen.

Kerülje a nem normális testtartásokat. A benzin-eszköz használata hosszabb ideig tartó használatkor a rezgéstől függően vérrellátási zavar jöhet létre (fehér ujj betegség). Ebben az esetben adatokat nem tudunk adni a használat időtartamáról, mivel ez személyenként különböző lehet. A következő tényezők befolyásolhatják ezt a jelenséget:

A kezelő kezeinek vérrellátási zavarai, alacsony külső hőmérséklet, hosszú használati időtartam. Ezért ajánlatos védőkesztyű viselése és rendszeres munkaszünetek beiktatása.

A robbanómotor kipufogógáza mérgező és többek között fulladáshoz vezethet. A benzin-eszköz használatát nem szabad zárt, vagy rosszul szellőztethető helyiségben működtetéshez hozni.

Az üzemanyag tankot tölteni csak a szabadban, vagy megfelelően szellőztethető területen szabad.

A benzin és a benzingőzök könnyen lobbanékonyak. Tartsa távol a könnyen gyúlékony anyagoktól és gyújtási forrásoktól pl. tűzhely, vagy sparhelt. Ne dohányozzon mialatt az eszközbe tankol, vagy azt működteti.

Azonnal szárítsa fel a kiöntött benzint. A benzin-eszköz használatát csak a tankolási helytől távoli helyen idítsa el.

Ügyeljen arra, hogy a tanktartály fedője állandóan jól zárva legyen. Ügyeljen az esetleges szivárgási helyekre.

Mialatt jár a motor, vagy a forró gépnél nem szabad a tanksapkazárát kinyitni, vagy üzemanyaggal feltölteni.

Lassan nyissa ki a tanksapkazárát, hogy a benzingőzök

elillanjanak.

Ügyeljen arra, hogy a fogók szárazak, tiszták legyenek, és ne maradjon rajtuk benzinmaradvány.

Kípufogó nélkül soha ne használja az eszközt, és helyesen szerelje fel a kípufogó- védőt.

Ne érintse meg a kípufogót. Égésveszély.

Csak az útmutatóban ajánlott üzemanyagot használjon.

A benzint csak az arra alkalmas tartályban, biztonságos helyen tárolja.

Mindig kapcsolja ki az eszközt, mielőtt azt leteszi.

Csak nappali világosságban, vagy jó mesterséges megvilágításban dolgozzon. Minden használat előtt végezze el az eszköz szemrevételezését.

Ellenőrizze, hogy a csavarok és a rögzítési részek jól meg vannak- e húzva.

Mindig szorosan tartsa a két kezével az eszközt.

Ellenőrizze minden használat előtt az eszközt és alkatrészeit és a védőberendezéseket, hogy nem sérültek-e, és nem kopottak-e, és adott esetben végeztesse el a szükséges javításokat. Soha ne helyezze a védő- és biztonsági berendezéseket működésen kívül. Ne használja a készüléket, amennyiben károsodások, vagy elhasználódási jelenségek jeleznének meg.

Tartsa a szerszámot tisztán és működőképesen, hogy jobban és biztosabban tudjon dolgozni.

Munkavégzéskor tartsa mindig az eszközt a testétől megfelelő távolságra.

A munka megszakításakor, vagy helyváltoztatáskor mindig kapcsolja ki a gépet, várja meg amíg a láncfűrész megáll és állítsa le a motort.

A munkahelyén az eszközt soha ne hagyja felügyelet nélkül. A munka megszakításakor az eszközt biztos helyen tárolja. A géppel tevékenykedő emberek figyelmét nem szabad elvonni. Ezáltal elveszíthetik a gép fölötti ellenőrzést.

Soha ne használja az eszközt esőben, nedves, vagy vizes környezetben és soha ne tárolja a szabadban.

Amennyiben az eszköz nedves lenne, akkor várjon addig amíg az teljesen megszárad, mielőtt azt ismét használja.

Ne terhelje túl a gépet, és ne végezzen olyan munkát, amelyre az nem alkalmas.

Ügyeljen arra, hogy a szellőző nyílások mindig szabadak és szennyeződésmentesek legyenek.

Mindig tárolja úgy az eszközt, hogy azt gyermekek ne érhék el.

Biztos és száraz helyen tárolja az eszközt.

Ütődés, vagy más sérülés után ellenőrizze a gépet, hogy azon vannak-e károsodások. Csak a gyártó által ajánlott tartozékokat használjon.

Csak képzett szakemberrel és eredeti alkatrész felhasználásával javíttassa meg az eszközt. Ezáltal bizonyosan megőrzi eszközének biztonságosságát.

Ne használja a láncfűrész tégelyt éghető folyadékok, vagy gázok közelében, vagy vizes és nedves környezetben.

Ezek be nem tartásakor tüzeszély és robbanásveszély áll fenn.

Ne járassa az eszközt felügyelet nélkül.

A figyelmetlenség súlyos sérülésekhez vezethet.

Kizárólag megfelelő fényviszonyok mellett dolgozzon.

Ön felel a munkaterületén lévő biztonságért.

Tartsa a szerszámot tisztán és működőképesen, hogy jobban és biztosabban tudjon dolgozni.

Kerülje a nem normál testtartásokat.

Munkavégzéskor tartsa mindig az eszközt a testétől megfelelő távolságra.

A munkahelyén az eszközt soha ne hagyja felügyelet nélkül. A munka megszakításakor tárolja az eszközt biztos helyen.

A géppel dolgozó emberek figyelmét nem szabad elterelni.

Ezáltal elveszíthetik a gép fölötti ellenőrzést.

Soha ne használja az eszközt esőben, nedves, vagy vizes környezetben és soha ne tárolja a szabadban.

A karmot használja minden vágásnál kiindulási pontként, mindig járó fűrészlánccal kezdje el a vágást.

Úgy végezze a vágást, hogy a fűrész ne rekedjen meg a fában.

Különösen ügyeljen a feszültség alatt álló ágakra.

Csak járó fűrészlánccal húzhatja ki az eszközt a fából.

Ne fűrészljen vállmagasság fölött és egy kézzel.

Ferde alapzatnál mindig álljon a lejtő aljához.

Eldőlő fánál tartózkodjon attól mindig oldalra.

Mindig ügyeljen a leválasztott részek dőlési irányára.

Soha ne helyezze a síncsúcsot a vágáshoz, és soha ne fűrészljen a síncsúccsal
– Visszacsapódás veszélye!

**H
U**

Visszacsapódás veszélye áll fenn, amikor a síncsúcs fát, vagy más tárgyat érint meg. A láncfűrész ezáltal ellenőrizhetetenné válik és nagy erővel lökődhet a kezelő irányába.

Egyszerre csak egy ágat vágjon le. Hossztoláskor ügyeljen a mellette lévő törzsre.

Az eszközt nem szabad a tárgyak meg- mozgatására használni.

Szállításkor mindig használja a láncvédőt.

Üzembevetél előtt

Ellenőrizze a készülék és a lánc tökéletes működését és üzembiztos állapotát.

Ellenőrizze a lánckenés működését és az olajszintet.

Ellenőrizze a láncfeszességet és a láncfékét.

A készülék alkatrészei (B1-B2)

1. Vezetősín
2. Fűrészlánc
3. Láncvédő
4. Láncfék/kézvédő

5. Ütközőkarom
6. Lánckerék védőburkolata
7. Vezetősín csapszeg-/csavarok
8. Láncbeállító csavar
9. Elülső fogantyú
10. Hátsó fogantyú
11. Indítószín
12. Olajtank fedél
13. Benzintank fedél
14. Biztonsági kioldó
15. Gyertya kulcs
16. Levegőszűrő borítás
17. Szívatókar
18. Üzemkapcsoló
19. Gázkar
20. Olajleengedő csatorna
21. Üzemanyag-keverő kanna
22. Csavarhózó
23. Indítószín gomb

Szerelés (B3-B4)

A fűrészláncot és a lánc-vezetősínt nem szerelt állapotban szállítjuk.

A sérülések elkerülése érdekében használjon kesztyűt a fűrészlánc szerelésekor és a lánc feszítésekor, valamint a lánc feszességének záró ellenőrzésekor.

Vezetősín szerelése

-Először is oldja ki a láncfékét. Ehhez nyomja meg a kézvédőt (4) a felső fogantyú irányába.

- Távolítsa el a lánc védőburkolatát (6) mindkét vezetősín csavarjainak (7) a meglazításával (7).

- Szerelje fel az ütközőkarmot (5) ahogyan a kép ábrázolja (B31). A megállítóköröm a gyújtógyertya kulcs segítségével (15) rögzíthető.

- Helyezze a vezetősínt (1) a rovátkolt végével a két vezetősín csapszegére (7).

Fűrészlánc szerelése (B5-B9)

- Terítse ki a láncot (2). Ügyeljen arra, hogy a vágókarmok az óramutató járásával megegyező irányban legyenek.

- Tolja a láncot (2) a kapcsoló segítségével a motoros fűrész lánckerékére. Ügyeljen arra, hogy a láncszemek pontosan a lánckerék fogai között helyezkedjenek el.

- Helyezze a láncot (2) a síncsúcsra. Ügyeljen arra, hogy a láncszemek (2) a vezetősín hornyában helyezkedjenek el.

A fűrészlánc ekkor a a vezetősín alsó részében lefelé függ.

- Helyezze vissza a láncburkolatot (6). Ügyeljen arra, hogy a láncbeállító a vezetősín furatába érjen (B8). Csak így szerelhető fel rendesen a láncburkolat (6).
Figyelem! A lánc (2) nem csúszhat a vezetősínnél (1).

A láncszemeknek pontosan a lánckerék fogai között kell elhelyezkedniük.

- Helyezze vissza a két vezetősín csavarát (7). Ebben a lépésben ezeket kézzel húzza meg.

Fűrészlánc feszítése (B10-B11)

Ügyeljen arra, hogy a vezetősín csavarjai (7) a fűrészlánc (2) beállításához csak kézzel legyenek meghúzva. Adott esetben lazítsa meg ezeket.

- A fűrészlánc (2) feszítéséhez csavarja el egy megfelelő csavarhúzóval a láncbeállító csavart (8) az óramutató járásával megfelelő irányba.

- A fűrészlánc lazításához (2) csavarja el egy megfelelő csavarhúzóval a láncbeállító csavart (8) az óramutató járásával ellentétes irányba.

A fűrészlánc (2) akkor megfelelően feszes, amikor a vezetősín (1) közepén maximálisan 2-3 mm-re felemelhető.

Húzza meg erősen a fűrészlánc beállítása után a vezetősín csavarjait.

Javaslat

Járassa be az új fűrészláncot (2) az első fűrészelési munka előtt kb. 5 percre. Bejáratás után ismét ellenőrizze a láncfeszességet és adott esetben végezze el az utánállítást.

A fűrészlánc (2) bemelegedett állapotban kitér és lefelé függhet. Ezáltal fennáll a veszélye annak, hogy a fűrészlánc (2) lepattanhat. Ezért az első fűrészelési munka után ismét feszítse meg a láncot (2).

Mivel bemelegedett állapotban a megfeszített fűrészlánc (2) kihűléskor

összehúzódik és magasabb láncfeszességet okozhat, ezért azt a fűrészelési munka befejezése után ismét meg kell lazítani.

FIGYELEM – A lánc feszességét (2) a munkanap folyamán többször kell ellenőrizni. Ennek elvégzésére viseljen mindig védőkesztyűt.

Mivel a vezetősín (1) az átirányítónál és a vágási helyen különösen nagy megterhelésnek van kitéve, ajánlatos az egyoldalú elhasználódás elkerülése érdekében a vezérsíneket minden láncélezéskor megfordítani.

Üzemanyag (B12)

Használja az ólommentes normál, vagy superbenzin és speciális 2 ütemű- motorolaj keverékét 40:1 keverési arányban. A fűrész alkalmas biobenzinhez, vagy alkilat benzinnel (pl. Aspen).

Figyelem: ne használjon más keverési arányt és tisztá benzint. Ne használjon olyan üzemanyagot, mely 2-3 hónapnál régebbi.

Hosszabb munkaszünetek esetén engedje le a tankot és munkakezdés előtt töltsen meg újra. Benzin keverék 40:1 Egy 40:1 keverési arányt úgy ér el, ha 4 liter benzinnel megtöltött benzines tartályba erős keveréssel, vagy rázással 100 ml kétütemű olajat közékever.

Benzin betöltése

Lassan csavarja fel a benzintank fedelét (13), hogy veszélytelenül elillanjon a nyomás és a veszélyes benzingőzök.

Töltsen be tölcseren keresztül a 2-ütemű 40:1 keveréket és erősen csavarozza vissza a benzintank fedelét (13).

Lánc kenése (B13-B15)

A láncfűrész láncolaj nélkül szállítjuk. Csavarozza le az olajtank fedelét (12). Töltsen fel az olajtankot biológiailag lebomló láncolajjal és végezetül csavarozza vissza az olajtank fedelét. Soha ne használjon újrahajtosított olajat, vagy használt olajat. Ügyeljen arra, hogy ne kerüljön szennyeződés az olajtankba.

Amennyiben a láncfűrész olaj nélkül üzemeltetik, akkor a legrövidebb időn belül megkárosodik a teljes fűrészegység.

Ellenőrizze minden munka megkezdése előtt az olajsínt és a lánckenést.

Ellenőrizze a lánckenés automatikus működését, miközben a bekapcsolt fűrész kardjának a csúcsát a talajon lévő papírra tartja. Tartson elegendő távolságot! Amennyiben a papíron nő az olajnyomok mennyisége, az olajautomata akkor működik, ha a lánzfűrész üzemben van.

Ügyeljen mindig arra, hogy az olajleengedő csatorna (20) ne legyen szennyezett. Szükség esetén tisztítsa meg vékony tárggyal (pl. fogpiszkáló, gyufa).

Vigyázat:

Az olajszivattyú olajáramlását a gyárban optimális szállítási mennyiségre állították be. Az olajpumpát nem kell beállítani.

Motor/lánccfék (B16)

Az Ön biztonsága érdekében a lánzfűrész lánccfékkel van felszerelve.

Visszaütő fűrésznél az elülső kézvédő (4) megüti a kezét és a lánccfék leállítását váltja ki. A fűrész ismételt üzemeléshez húzza meg erősen a kézvédőt (4) hátrafelé az elülső kézi fogantyúhoz.

A lánccfék legkésőbb 0,12 másodperc után megáll. Időnként végezzen működési tesztet, ehhez billentse az elülső kézvédőt (4) előre, és kapcsolja be rövid időre a

fűrész. A lánccfék nem indulhat el. Húzza a kézvédőt maga felé. A lánccfék bekapcsoláskor jár.

Eszközutasítások

Rendszeresen ellenőrizze, hogy vannak-e károsodások a lánccfékben.

Ügyeljen minden alkatrész tökéletes és rendeltetészerű működésére. Ügyeljen arra, hogy minden alkatrész rendeltetészerűen fel legyen szerelve, ezzel garantálva a kifogástalan működést.

Haladéktalanul javíttassa meg a károsodott alkatrészeket egy ügyfélszolgálati szervízben.

Indítás hideg motornál (B17-B19)

- Biztosan helyezze le a talajra a benzines lánccfék.

- Tolja a kezelőmarkolatnál lévő üzempcsolót (18) felfelé.

- A indítószivattyú gombot (23) nyomja meg annyiszor, amíg nem látható több buborék (kb. 5-6x).

- Húzza ki teljesen a szivatókart (17).

- Vegyen fel biztos tartást.

- Tartsa a benzines lánccfékcsapot a bal kezével a talajra nyomva.

- Lépjen jobb lábával a hátsó markolat (10) szárába (B18).

- Teljesen húzza ki 3-5x az indítószivattyút (11).

- A szivatókar automatikusan visszamegy, ha megnyomja a kapcsolót.

- Húzza az indítószivattyút (11) többször lendülettel és erősen a zsinór végéig, amíg a motor beindul. A motor elindulása után engedje el az indítószivattyút és a fűrészelési munka előtt járassa be a motort 30 másodpercig.

Motor leállítása (B19)

- Hagyja gáz nélkül a motort üresjáratba visszatérni.

- Mozgassa az irányítókapcsolót (18) felfelé a "STOP"-ra.

Indítás meleg motornál

- Ugyanaz a folyamat, mint a hideg motornál. A szivatókar (17) itt teljesen zárva marad.

Dolgozzon a lánccfékcsappal, viseljen kesztyűt, zsinór védőruhát és sisakot arcvédővel! Soha ne dolgozzon a vállmagassága fölött!
Soha ne fűrészeljen egy kézzel!
Soha ne fűrészeljen egy létrán, a fán, vagy nem biztonságos helyen!
Üzembevetel előtt ellenőrizze:

- A fűrészlánc helyes feszességét.

- Az olajtank feltöltését.

- A láncfék kioldását.
- Láncfűrész indítását.

Fűrész vezetése (B20)

Fogja át bal kezével az elülső fogantyút (9), a jobb kezével a hátsó fogantyút (10). (10).

Fűrész kikapcsolása

Engedje el a gázkart (19). Állítsa az üzemkapcsolót (18) a <<STOP>> -ra. A láncfűrész csak a lánc megállása után szabad letenni.

Porlasztó beállítása

Gyárilag a porlasztót az optimális teljesítményre állították be. Amennyiben precízebb beállításra van szükség, akkor forduljon egy szakszervizhez.

Megőrzés

Takarítsa meg minden munka után a fűrészláncot (2) és a vezetősínt (1). Helyezze fel a láncvédőt (3).

Munkautasítások (B21-B27)

Vegyen figyelembe minden biztonsági utasítást. Soha ne fűrészeljen laza és élettelen láncsal. A láncfűrész mindig járó fűrészláncsal kell a vágásból kihúzni.

Ügyeljen gallyazandó fáknál arra, hogy a törzs mechanikai feszültség alatt állhat.

A fatörzs felső oldala feszültség alatt. A fa felcsapódik.

A fatörzs alsó oldala feszültség alatt. A fa lefelé csapódik.

Használjon amennyiben lehetséges mindig egy feszítőberendezést. (pl. fűrészbak).

Csak fát, vagy faanyagú tárgyakat fűrészeljen. Ügyeljen az idegen testekre, mint szögek, vagy kövek. Ezek a fűrészlappal való érintkezéskor elsodródhatnak, és megkárosíthatják a fűrészláncot.

A fa darabolásakor az ütközőkarmot (5) szorosan a fához kell helyezni.

Járó fűrészszel induljon a fába. Ekkor a fűrészszel vezesse az elülső fogantyúval, és a hátsó fogantyúval húzza a

fűrészszel felfelé. Az ütközőkarom forgáspontként szolgál. Utánhelyezéshez könnyen nyomja meg az elülső fogantyút és valamennyire húzza vissza a fűrészszel. Helyezze a karmos ütközőt mélyebbre és ismét húzza a fogantyút felfelé.

Hosszvágnál a láncfűrészszel lehetőleg kis szögben kell odahelyezni. Mivel itt nem kell a karmos ütközőt használni, ezért különleges figyelemmel kell eljárni. Visszacsapódás veszélye!

Visszacsapódás veszélye áll fenn, amennyiben a sín csúcsa megérinti a fát, vagy más tárgyat. A láncfűrészszel ellenőrizhetetlenné válik és nagy lendülettel eshet a kezelő irányába. Számítsa ki először a korona súlypontja és a szélirány figyelembevételével az esési irányt. Ügyeljen arra, hogy a láncfűrészszel közvetlenül a fa megérintése előtt járnia kell. Fűrészszeljen a dőlési irányban egy bemetszést a fába (A). Ez a hajk jelöli a fa dőlési vezetését és irányát (B24 és B25). Mégegyszer ellenőrizze a dőlési irányt. Abban az esetben, ha az esési irányt korrigálni kell, mindig teljes szélességében kell a hajkot utánvágni.

Fűrészszeljen lehetőleg mindig a sín alsó részével, mivel a sín felső részével való vágásakor, a fűrészszel elakadásakor a, beim Verklemmen der Kiáltson, hogy „Vigyázz, dől a fa!“

Vezesse a hajk szembenlévő oldalára a fűrészszel és a kezelő irányába lökődik. Ágak levágásakor a láncfűrészszel lehetőleg a törzsnél támassza le.

Különleges intézkedések a fák kidöntésekor: döntővágást (B). Ez magasabb lesz, mint a hajkalap.

Időben helyezze az éket a döntővágásba. Hagyjon egy csuklóspántot (C). Ez úgy hat, mint egy zsanér. Amennyiben ezt a csuklóspántot átfűrészelik a fa ellenőrizetlenül dől el.

A fák kidöntése rendkívül veszélyes és azt meg kell tanulni. Amennyiben Ön gyakorlatlan ebben a tevékenységben, akkor dies nicht A fát soha ne vágja ki, hanem ékelje ki.

A fa dölésekor lépjen vissza. Figyelje meg a inkább ne csinálja. Előtte járjon egy tanfolyamra. Soha ne döntsön ki olyan fákat, melyeknek az átmérője nagyobb, mint a vezetősín hosszúsága. Egy kidőlő fa más fákat is magával ragadhat.

Tervezzen mindig dupla fahosszúságot veszélyes

területként (dőlési terület). Ezen kívül ügyeljen az áram- és telefonvezetésekre.

Kivágás előtt tervezze meg a menekülési területet és a szabad területet. A menekülési területnek az elvárt esési iránytól ellentétes irányban kell lenni.

Nem tartózkodhatnak az dőlési területen nézelődők, állatok, vagy nem lehetnek akadályok. A fűrész fában való elakadásakor soha ne próbálja meg a fűrész járó motorral kivenni. Használjon faéket a fűrész visszavételéhez. korona területét. Várja ki a korona kilengését.

Ne döntse ki a fát, amennyiben a dőlési területen lévő részleteket (eső, hó, kőd, vagy szürkület) nem tudja felismerni

Soha ne döntse ki a fát, ha az erős szél miatt a dőlési irányt nem lehet tartani. Akkor döntse ki a fát, ha az állapotok teljesen biztosak.

Fekvő fák és ágak feszültség alatt állhatnak. Végezzen először egy tehermentesítő vágást és végezetül egy hasító fűrészélést (B26).

H
U

Figyelem: a teljes megterhelésű hosszú. H fűrészelési munka után hagyja a motort üresjáratban lehűlni, hogy a fáradthót a motorhűtés el tudja vezetni. Ezáltal elkerülhető a hajtómechanizmus túlforrósodása. Fűrészelés után lazítsa meg a fűrészláncot, hogy a kihűlő és a rövidebbé váló fűrészlánc a forgattyútengelyt és a hajtócsapágyat ne károsítsa meg

Karbantartás és ápolás (B28-B30)

Fűrészlánc

Fűrészlánc és vezetősín karbantartása
A fűrészláncot (2) időnként szükség szerint kell utánhúzni.

A vezetősínt (1) hosszabb használat után és a fűrészlánc (2) cseréjekor át kell fordítani. Ezzel kiegyenlíti a horony elhasználódását a kard vágási oldalán.

Fűrészlánc élezése

A fűrészláncot (2) egy szaküzemben éleztesse.

Levegőszűrő

Hosszabb munkák után tisztítsa meg a levegőszűrőt. A por és pollenek eltömítik a habos műanyagzivacs-szűrő pórusait.

Vegye le a levegőszűrő borítását (16) és mossa ki a levegőszűrőt enyhén szappanos vízzel.

Figyelem: Ne használjon benzint, vagy oldószert.

- Szárítsa meg a szűrőt mielőtt ismét használja.

A motor élettartamának a megőrzéséhez a sérült levegőszűrőt azonnal ki kell cserélni. A műanyagrészek tisztításához használjon nedves kendőt. Ne használjon tisztítószert, oldószert, vagy éles tárgyakat.

Rendszeresen tisztítsa meg a megtapadó portól a szellőzőnyílásokat és a mozgó alkatrészeket egy puha kefével, vagy ecsettel.

Hosszabb munka után szerelje szét a vezetössínt és a láncot, és tisztítsa meg egy kefével, vagy ecsettel.

Gyújtógyertya beállítása

Évente legalább egyszer, vagy rendszeresen rossz indítások esetén ellenőrizze a gyújtógyertya elektródatávolságát. A pontos távolság a közélektroda és a testelektroda között 0,25"/0,63 mm.

- Várjon amíg a motor teljesen kihül.

- Vegye le a levegőszűrő burkolatát.

- Húzza ki a gyújtógyertya sapkát a gyújtógyertyából és fordítsa ki egy kulccsal a gyújtógyertyát

- Az elektróda túlzott kopásakor, vagy erős kérgesedéskor a gyújtógyertyát azzal egyenértékűvel kell kicserélni. A gyújtógyertya erős kérgesedése előfordulhat: a benzinkeverékben lévő túl magas olajrész, rossz olaj minőség, túl régi benzinkeverék, vagy az eltömítődött levegőszűrő miatt

- Kézzel forgassa el a gyújtógyertyát teljesen a menetbe (a ferde állás elkerülése érdekében).

- Húzza meg erősen egy kulccsal a gyújtógyertyát.

- Egy forgatónyomatékkulcs használatakor az indító nyomaték 12-15 Nm.

- Helyezze föl a gyújtógyertya-csatlakozót a gyertyára.

- Helyezze vissza a levegőszűrő burkolatát.

Lánc kenése és üzemanyag

Az üzemanyagtank egy megfigyelő ablakkal van felszerelve, ahol a töltési szintet lehet ellenőrizni.

Fontos: a lánckenés olajtartályát az üzemanyag betöltése előtt kell feltankolni.

Műszaki adatok

Légűtött 2-ütemű motor	SPS1E43F3
Lökettérfogat:	45,1 cm ³
Max. motorteljesítmény:	1,8 kW
Tartálytérfogat:	500 cm ³
Olaj töltési mennyiség:	240 cm ³
Vágáshosszúság:	360 mm
Gyújtógyertya:	
L8RTF(NHSP LD); L8RTC (Torch); L8RTF(BOSCH)	
Tömeg (vezetősín és lánc nélkül, üres tankkal):	5,6 kg
Zajnyomásszint:	102,78 dB(A), k=2,5dB(A)
Zajtjeljesítményszint:	110,07 dB(A), k=2,5 dB(A)
Rezgésszint (Max.) (ISO 22867 szerint):	
Rezgés - kézfogantyú (elől):	5.650 m/s ² , K= 1.5m/s ²
Rezgés – markolat (hátsó):	6.072 m/s ² , K= 1.5m/s ²
Vezetősín maximális hosszúsága:	16"
Láncszemek távolsága:	9,525 mm
Láncszemek erőssége:	1,27 mm (0,05")
Fogaskerék hajtás*osztás:	7fog*9,525 mm
Üresjárat fordulatszám:	2700-3400 f/p
Maximális fordulatszám:	11000 f/p
Fűrész-lánc típusa:	Oregon 91P055X (for 16 ")
Vezetősín típusa:	Oregon 160SDEA095 (for 16 ")
A munka zajszintje túllépheti a 113 dB-t.	

Javítások

Csak a gyártó által ajánlott tartozékokat és alkatrészeket használjon. Amennyiben az eszköze a mi minőségű ellenőrzésünk és az Ön ápolása ellenére meghibásodna, akkor a javításokat egy feljogosított elektromos szakemberrel végeztesse el.

Környezetvédelem



Az eszközt, a tartozékokat és a csomagolást ne a háztartási szemétként dobja ki, hanem szállítsa el egy környezetbarát újrahasznosítóba. Ez a kis ráfordítás jót tesz környezetünknek.

Maradék kockázatok


Az eszköz szakszerű felhasználásakor is marad bizonyos maradék kockázat, amit nem zárhatunk ki. A szerszám fajtájából és tervezéséből a következő lehetséges veszélyeztetéseket háríthatjuk el:

- A védőeszköz nélküli fűrészláncsal való érintkezést (vágási sérülések)
- A járó fűrészláncba való belenyúlást (vágási sérülések)
- A vezetősín előre nem látható, hirtelen mozgását (vágási sérülések)
- (Vágási sérülések)
- A fűrészlánc alkatrészeinek a kivetődését
- A vágandó anyag részeinek elsodródását
- A hallás károsodását, amennyiben nem viselik az előírt hallásvédő eszközt
- A vágandó anyag belélegzését
- A visszaütés veszélyét
- Ez az eszköz üzemeltetés közben elektromágneses mezőt termel! Ez a mező bizonyos körülmények között befolyásolhatja az aktív, vagy passzív orvosi implantátumokat!

A súlyos, vagy halálos sérülések veszélyének a csökkentéséhez ajánlatos az orvosi implantátumról az orvosával és az orvosi implantátum gyártójával konzultálni, mielőtt elkezdi az eszköz használatát!

H
U

problémák

Zavar	Lehetséges ok	Hibaelhárítás
Rossz motorteljesítmény.	Rossz a porlasztó beállítása	A porlasztót szakemberrel állítsa be, vagy vigye egy szervíz központba.
Az eszköz beindul, de a motornak gyenge a teljesítménye.	Szivatókar rosszul van beállítva. Levegőszűrő szennyezett. Rossz a porlasztó beállítása.	Állítsa  -ra. Távolítsa el a műanyagszűrőt, tisztítsa meg szappanos vízzel és szárítsa meg, majd helyezze be. A porlasztót szakemberrel állítsa be.
Az eszköz nem indul be, vagy nem jár.	Rossz indítási eljárás. Hibás a porlasztó beállítása. Kormos a gyújtógyertya.	Kövesse a „Hideg motor indítása” utasításait. A porlasztót szakemberrel állítsa be. Tisztítsa meg a gyújtógyertyát, korrigálja az elektróda távolságot, vagy cserélje ki a gyújtógyertyát.
A motor szabálytalanul jár.	Rossz az elektróda távolság a gyújtógyertyán Leégett a gyújtógyertya	Tisztítsa meg a gyújtógyertyát, korrigálja az elektróda távolságot, ideális 0,25"/0,63mm, vagy cserélje ki a gyújtógyertyát.
Túlzott füstképződés.	Túlzott füstképződés. Rossz a porlasztó beállítása. Rossz az üzemanyag keveréke.	A porlasztót szakemberrel állítsa be. Engedje le a tankot, töltsé be a helyes keveréket: 2-ütemű-keverék 40:1.

Original Konformitätserklärung



Matrix GmbH
Postauer Str. 26
D-84109 Wörth/Isar
Germany
Fax: +49 (0) 8702/45338 98
E-Mail: info@matrix-direct.net

- (GB)** hereby declares the following conformity under the EU Directive and standards for the following article
- (D)** erklärt folgende Konformität gemäss EU-Richtline und Normen für den Artikel
- (F)** déclare la conformité suivante selon la directive UE et les normes pour l'article
- (PL)** deklaruje, że produkt jest zgodny z następującymi dyrektywami UE i normami
- (I)** dichiara la seguente conformità secondo le direttive e le normative UE per l'articolo
- (HR)** ovime izjavljuje da postoji sukladnost prema EU-smjernica i normama za sljedece artikle
- (NL)** verklaart hierbij dat het volgende artikel voldoet aan de daarop betrekking hebbende EG-richtlijnen en normen
- (EE)** deklareerib vastavuse järgnevatele EL direktiividele ja normidele
- (LT)** deklaruoja atitikti pagal ES direktyvas ir normas straipsniui
- (GR)** Δήλωση συμμόρφωσης
GR δηλώνει την παρακάτω συμμόρφωση κάτω από την Οδηγία της Ε.Ε. και τα στάνταρ του παρακάτω άρθρου
- (BG)** декларира следното съответствие съгласно директивите и нормите на ЕС за продукта.
- (HU)** az EU-irányelv és a vonatkozó szabványok szerinti következő megfelelési nyilatkozatot teszi a termékre

Benzin-Kettensäge / SCS-46 JET

- | | | | |
|-------------------------------------|---------------------|-------------------------------------|-----------------------|
| <input checked="" type="checkbox"/> | 2006/42/EC | <input type="checkbox"/> | 2002/96/EC |
| <input checked="" type="checkbox"/> | 97/68/EC_2012/46/EU | <input type="checkbox"/> | R&TTED 1999/5/EC |
| <input type="checkbox"/> | 93/68/EEC | <input checked="" type="checkbox"/> | 2000/14/EC_2005/88/EC |
| <input checked="" type="checkbox"/> | 2014/30/EU | <input type="checkbox"/> | 95/54/EC |
| <input type="checkbox"/> | 2002/95/EC | <input type="checkbox"/> | 73/23/EWG |

EN ISO 11681-1; EN ISO 14982;
Geräuschemission 2000/14/EC, Anhang III & 2005/88/EC,
Konformitätsbewertungsverfahren: 2000/14/EC - Annex V
garantierter Schallleistungspegel: $L_{WA}=113$ dB (A)
gemessener Schallleistungspegel: $L_{WA}=110,07$ dB (A)
EG-Baumusterprüfverfahren gemäß Anhang IX der EG-Richtlinie 2006/42/EG;
Bescheinigung Nr.: BM 50296425
Benannte Stelle: TÜV Rheinland LGA Products GmbH, Tillystraße 2, 90431 Nürnberg (ID Nr. 0197)

Autorisierte Person zur Aufbewahrung der technischen Dokumente:
Matrix GmbH
Postauer Str. 26
D-84109 Wörth/Isar
Germany

Wörth/Isar, den 03.05.2017
Art.-Nr.: 604.100.020


Joachim Lichtl (Geschäftsführer)

GARANTIE

GB Garantie

This appliance is a quality product. It was designed in compliance with current technical standards and made carefully using normal, good quality materials.

The warranty period is 24 months and commences on the date of purchase, which can be verified by the receipt, invoice or delivery note. During this warranty period all functional errors, which, despite the careful treatment described in our operating manual, are verifiably due to material aw's, will be rectified by our after-sales service staff.

The warranty takes the form that defective parts will be repaired or replaced with perfect parts free of charge at our discretion. Replaced parts will become our property. Repair work or the replacement of individual parts will not extend the warranty period nor will it result in a new warranty period being commenced for the appliance. No separate warranty period will commence for spare parts that may be fitted. We cannot offer a warranty for damage and defects on appliances or their parts caused by the use of excessive force, improper treatment and servicing.

This also applies for failures to comply with the operating manual and the installation of spare and accessory parts that are not included in our range of

products. In the event of interference with or modifications to the appliance by unauthorised persons, the warranty will be rendered void.

Damages that are attributable to improper handling, over loading, or natural wear and tear

are excluded from the guarantee.

Damages caused by the manufacturer or by a material defect will be corrected at no charge by repair or by providing spare parts.

The prerequisite is that the equipment is handed over assembled, and complete with the proof of sale and guarantee.

For a guarantee claim, only use the original packaging.

That way, we can guarantee quick and smooth guarantee processing.

Please send us the appliances post-paid or request a Freeway sticker.

Unfortunately we will be unable to accept appliances that are not postpaid.

The warranty does not cover parts that are subject to natural wear and tear.

If you wish to make a warranty claim, report faults or order spare parts or accessories, please contact the after-sales centre below:

Subject to change without prior notice.

210 Bath Road, Slough, Berks SL1 3YD

www.stanleytools.co.uk

Tel: +44 (0)1753 511234

Fax: +44 (0)1753 512365

D GARANTIE

Dieses Gerät ist ein Qualitätserzeugnis. Es wurde unter Beachtung der derzeitigen technischen Erkenntnisse konstruiert und unter Verwendung eines üblichen guten Materials sorgfältig gebaut.

Die Garantiezeit beträgt 24 Monate und beginnt mit dem Zeitpunkt der Übergabe, der durch Kassenbon, Rechnung oder Lieferschein nachzuweisen ist. Innerhalb der Garantiezeit werden alle Funktionsfehler durch unseren Kundendienst beseitigt, die nachweisbar, trotz vorsichtsmäßiger Behandlung entsprechend unserer Bedienungsanleitung auf Materialfehler zurückzuführen sind.

Die Garantie erfolgt in der Weise, dass mangelhafte Teile nach unserer Wahl unentgeltlich instandgesetzt oder durch einwandfreie Teile ersetzt werden. Ersetzte Teile gehen in unser Eigentum über. Durch die Instandsetzung oder Ersatz einzelner Teile wird die Garantiezeit weder verlängert noch wird neue Garantiezeit für das Gerät in Gang gesetzt. Für eingebaute Ersatzteile läuft keine eigene Garantiefrist. Wir übernehmen keine Garantie für Schäden und Mängel an Geräten oder deren Teile, die durch übermäßige Beanspruchung, unsachgemäße Behandlung und Wartung auftreten. Das gilt auch bei Nichtbeachtung der Bedienungsanleitung sowie Einbau von Ersatz- und Zubehörteile, die nicht in unserem Programm aufgeführt sind. Beim Eingreifen oder Veränderungen an dem Gerät durch Personen, die hierzu nicht von uns ermächtigt sind, erlischt der Garantieanspruch.

Schäden, die auf unsachgemäße Handhabung, Überlastung oder auf natürliche Abnutzung zurückzuführen sind, bleiben von der Garantie ausgeschlossen.

Der Hersteller haftet nicht für Folgeschäden. Schäden, die durch

Herstelleroder Materialfehler entstanden sind, werden durch Reparatur- oder Ersatzlieferung unentgeltlich behoben.

Vorraussetzung ist, dass das Gerät zerlegt und vollständig mit Kauf- und Garantienachweis übergeben wird.

Verwenden Sie im Garantiefall ausschließlich die Originalverpackung.

So garantieren wir Ihnen eine reibungslose und schnelle

Garantieabwicklung.

Bitte senden Sie die Geräte "frei Haus" ein oder fordern Sie einen Freeway-

Aufkleber an. Unfreie Einsendungen können wir leider nicht annehmen!

Die Garantie bezieht sich nicht auf die Teile, die durch eine natürliche

Abnutzung verschlissen werden.

Bei Garantieanspruch, Störungen, Ersatzteil- oder Zubehörbedarf wenden

Sie sich bitte an die hier aufgeführte Kundendienstzentrale:

Änderungen vorbehalten.

Postauerstrasse 26

84109 Wörth/Isar

DE

www.matrix-direct.net

service@matrix-direct.net

Tel.: +49(0) 1806/841090

Fax: +49(0) 8702/45338-98

F GARANTIE

Cet appareil est un produit de qualité. Il a été conçu selon les connaissances techniques actuelles et construit soigneusement en utilisant une bonne matière première courante.

La durée de garantie est de 24 mois et commence à courir au moment de la remise qui doit être attestée en présentant le ticket de caisse, la facture ou le bon de livraison. Pendant la période de garantie, toutes les anomalies fonctionnelles sont éliminées par notre service après-vente résultant, malgré une manipulation correcte conformément à notre notice d'utilisation, d'un vice de matériel.

La garantie se déroule de façon à ce que les pièces défectueuses soient réparées gratuitement ou remplacées par des pièces impeccables, selon notre choix. Les pièces remplacées deviennent notre propriété. La réparation ou le remplacement de certaines pièces n'entraîne aucune prolongation de la durée de garantie ni une nouvelle garantie pour l'appareil. Les pièces de rechange montées n'ont pas de durée de garantie propre. Nous n'accordons aucune garantie pour des dommages et défauts sur les appareils ou leurs pièces découlant d'une trop forte sollicitation, d'une manipulation non conforme ou d'un manque d'entretien.

Cela vaut également en cas de non-respect de la notice d'utilisation ainsi que pour le montage de pièces de rechange et d'accessoires qui ne gurent pas dans notre gamme. En cas d'interventions ou de modifications de l'appareil effectuées par des personnes que nous n'avons pas mandatées, le droit à la garantie devient caduc. Les dommages résultant d'une manipulation non conforme, d'une surcharge ou d'une usure normale sont exclus de la garantie.

Il sera remédié sans frais aux dommages dus à un défaut de fabrication ou à un défaut sur le matériel par une réparation ou par le remplacement de l'appareil.

A condition que l'appareil soit rapporté non démonté et complet avec la preuve d'achat et le bon de garantie.

Pour faire fonctionner la garantie, utilisez exclusivement l'emballage original. Nous

vous assurons ainsi un fonctionnement rapide et sans problème de la garantie.

Veillez envoyer les appareils „ franco usine „ ou demandez un autocollant

Freeway. Nous ne pouvons malheureusement pas accepter les expéditions

non aranchées !

La garantie ne s'étend pas au pièces usées en raison d'une usure naturelle.

En cas de demande de garantie, de pannes, de demande de pièces de

rechanges ou d'accessoires, veuillez vous adresser à la centrale du service

après-vente ci-dessous :

Sous réserve de modifications.

5, allée des hêtres

BP 30084, 69579 Limonest Cedex

www.stanleyoutilage.fr

scufr@sbdinc.com

Tel: 04 72 20 39 77

Fax: 04 72 20 39 00

I GARANZIA

Questo apparecchio è un prodotto di qualità, costruito accuratamente secondo lo stato attuale della tecnica e utilizzando un materiale comune di buona qualità.

Il periodo di garanzia è di 24 mesi a decorrere dalla data di consegna, che deve essere certificata con scontrino di cassa, fattura o bolla di consegna. Nel periodo di garanzia il nostro servizio clienti si impegna ad eliminare tutti i difetti di funzionamento, per i quali sia possibile dimostrare l'origine dovuta a difetti del materiale e non a un trattamento non conforme alle nostre istruzioni per l'uso.

La garanzia si espleta a nostra discrezione riparando gratuitamente i pezzi difettosi o sostituendoli con pezzi funzionanti. I pezzi sostituiti tornano di nostra proprietà. La riparazione o sostituzione dei singoli pezzi non implica il prolungamento del periodo di garanzia, così come non riaccende un nuovo periodo di garanzia per l'apparecchio in uso. Non è prevista una scadenza di garanzia propria per i pezzi di ricambio montati. Non rientrano nella garanzia danni e carenze degli apparecchi o di loro parti dovuti a sollecitazione impropria, trattamento e manutenzione irregolare. Lo stesso vale per la mancata osservanza delle istruzioni per l'uso, nonché per l'installazione di pezzi di ricambio e accessori che non rientrano nel nostro assortimento. Interventi o modifiche all'apparecchio apportati da persone che non ne hanno l'autorità, causano l'annullamento della garanzia. La garanzia non copre i danni dovuti ad uso improprio, sovraccarico o usura naturale.

Danni dovuti a difetti di costruzione o dei materiali saranno sanati riparando o sostituendo l'apparecchio senza spese.

Le riparazioni o sostituzioni in garanzia sono possibili, solo se l'apparecchio viene riconsegnato non smontato e completo di scontrino d'acquisto e certificato di garanzia.

In caso di restituzione in garanzia, utilizzare esclusivamente l'imballo originale. In questo modo siamo in grado di garantire un decorso rapido e senza intoppi delle procedure di garanzia.

Inviare gli apparecchi „franco sede” oppure applicandovi un adesivo „Freeway”. Non si accettano spedizioni non arancate.

La garanzia non si applica a pezzi logorati in seguito a naturale usura.

In caso di reclami di garanzia, guasti, necessità di pezzi di ricambi o accessori, rivolgersi alla Centrale Servizio Clienti indicata qui di seguito:

Con riserva di modifiche.

Energypark—Building 03 sud, Via Energy Park 6
20871 Vimercate (MB)
www.stanley.it
Tel. 039-9590-200
Fax 039-9590-313

PL Gwarancja

Urządzenie to jest wyrobem o wysokiej jakości. Zostało ono starannie konstruowane przy uwzględnieniu aktualnej wiedzy technicznej i przy zastosowaniu normalnie używanych materiałów o dobrej jakości.

Termin gwarancji wynosi 24 miesiące i rozpoczyna się z dniem wydania urządzenia, co należy udokumentować paragonem kasowym, rachunkiem albo dowodem dostawy. W ciągu terminu gwarancji wszystkie wady funkcjonalne urządzenia są usuwane przez nasz serwis, jeżeli można wykazać, że są one wynikiem wad materiałowych, pomimo zgodnego z naszą instrukcją obsługi ostrożnego obchodzenia się z urządzeniem.

Realizacja gwarancji następuje w ten sposób, że wadliwe części są, według naszego wyboru nieodpłatnie naprawiane albo wymieniane na części wolne od wad. Wymontowane części stają się naszą własnością. Naprawa albo wymiana poszczególnych części nie powoduje przedłużenia okresu gwarancji, ani też nie rozpoczyna na nowo biegu terminu gwarancji dla urządzenia. Zamontowane części zamienne nie posiadają własnego terminu gwarancji. Nie przyjmujemy żadnej gwarancji za szkody i wady powstałe w urządzeniach albo ich częściach, które wystąpiły wskutek nadmiernego obciążenia, niewłaściwego sposobu obchodzenia się i niewłaściwej konserwacji. Dotyczy to również nieprzestrzegania instrukcji obsługi oraz montażu części zamiennych i elementów wyposażenia, nie występujących w naszym programie produkcyjnym. W przypadku ingerencji albo wprowadzenia zmian w urządzeniu przez osoby, które nie zostały przez nas do tego upoważnione, uprawnienia wynikające z gwarancji wygasają. Z gwarancji wyłączane są szkody spowodowane niewłaściwym sposobem obsługi, przeciążeniem albo naturalnym zużyciem.

Producent nie odpowiada za szkody powstałe w wyniku eksploatacji. Szkody powstałe w wyniku błędów produkcyjnych albo wad materiałowych zostaną nieodpłatnie usunięte poprzez naprawę albo wymianę.

Warunkiem jest przekazanie urządzenia w stanie nie zdemontowanym, kompletnego z dowodem zakupu i dokumentem gwarancyjnym.

W przypadku napraw gwarancyjnych prosimy używać wyłącznie oryginalnego opakowania.

W ten sposób gwarantujemy Państwu sprawne i szybkie załatwienie naprawy gwarancyjnej.

Proszę przelać nam urządzenie franco siedziba odbiorcy albo zażądać naklejkę Freeway. Niestety nie możemy przyjmować przesyłek obciążonych kosztami!

Gwarancja nie obejmuje części ulegających naturalnemu zużyciu eksploatacyjnemu.

W przypadku roszczeń gwarancyjnych, usterek, zapotrzebowania na części zamienne albo na elementy wyposażenia prosimy zwracać się do podanej tutaj centrali serwisu:

Erpatech
ul. Bakaliowa 26
05-080 Mościska
www.stanleyworks.pl
Tel.: +48 22 431 05 00
Fax.: +48 22 468 87 35

HR JAMČEVNI LIST

Uređaj je visoko kvalitetan proizvod. Konstruisan je uz uvažavanje današnjih tehničkih saznanja i brižno izraden upotrebom običnih dobrih materijala.

Jamstveno vrijeme iznosi 12 mjeseci i počne danom prodaje a važi s dokazom o kupovini i jamstvenim listom koji ima pečat, datum prodaje i potpis prodavača. U jamstvenom vremenu ćemo vam u našoj servisnoj službi ukloniti sve greške i nedostatke koji će nastati na proizvodu uz normalnu upotrebu i uzimajući u obzir upute za upotrebu.

Jamstvo važi u slučaju nesavršene izrade, greške u materijalu i radu i u tom slučaju ćemo vam proizvod besplatno popraviti ili zamijeniti. Promijenjeni dijelovi ostaju u našem vlasništvu. Za vrijeme popravke jamstvo se produžava za toliko vremena, koliko se proizvod zadržava u našem servisu. Za promijenjene rezervne dijelove ne važi poseban jamstveni rok. Jamstvo se ne priznaje za oštećenja i kvarove kojima prouzrokuje pretjerano opterećenje, nestručno posezanje i održavanje proizvoda. Jamstvo ne važi i za neuvažavanje uputa za upotrebu i montažu kao i za ugrađivanje rezervnih dijelova i pribora, koji nisu u našem prodajnom programu. Jamstvena prava prestaju ako u proizvod posežaju osobe, koje nemaju ovlaštenje za uklanjanje kvarova i nedostataka sa strane proizvođača.

Iz garancije su isključene štete do kojih dođe zbog nepravilnog rukovanja, preopterećenja ili prirodne istrošenosti.

Štete koje nastanu zbog greške proizvođača ili zbog greške u materijalu uklonit ćemo bez naknade putem popravka ili isporuke zamjenskog uređaja.

Uvjet je to je da se uređaj u nerastavljenom stanju i kompletno, te s dokazom o kupovini i garanciji preda ovlaštenom servisu.

U slučaju korištenja garancije treba koristiti isključivo originalno pakiranje.

U takvom slučaju garantiramo Vam brzo rješavanje garancije bez problema.

Popravak u jamstvenom roku ne važi za prirodno trošenje materijala.

Za jamstvena prava, smetnje, potrebu po rezervnim dijelovima ili opremi obratite se našoj servisnoj službi:

Zadržavamo si pravo na izmjene.

G-M&M d.o.o.
Bvace 11
1290 Grosuplje
Slovenija
www.g-mm.si
gmm@g-mm.si
T: +386 01 78 66 500
F: +386 01 78 63 023

NL GARANTIE

Dit apparaat is een kwaliteitsproduct. Het is ontworpen conform de actuele technische kennis en zorgvuldig vervaardigd uit voor het doel geschikt materiaal.

De garantieperiode bedraagt 24 maanden en gaat in op het moment van de aflevering, die vermeld moet staan op de kassabon, rekening of het afleveringsbewijs.

Binnen de garantieperiode lost de klantenservice alle storingen op die, ondanks behandeling van het apparaat volgens de voorschriften zoals die vermeld staan in de handleiding, worden veroorzaakt door materiaalfouten.

In een dergelijk geval zullen defecte onderdelen kosteloos worden gerepareerd of vervangen door correct functionerende onderdelen, e.e.a. ter beoordeling van ons. Vervangen onderdelen worden ons eigendom. Door reparatie of vervanging van onderdelen wordt de garantieperiode noch verlengd, noch gaat een nieuwe garantieperiode voor het apparaat in. Ingebouwde vervangingsonderdelen zijn niet onderhevig aan een eigen garantietermijn. Wij kunnen geen garantie verstrekken voor schade en gebreken aan apparaten of de onderdelen hiervan, ontstaan ten gevolge van overmatig gebruik, een foutieve behandeling resp. verkeerd onderhoud.

Dit is ook van toepassing wanneer de gebruikshandleiding niet wordt opgevolgd, alsmede wanneer vervangingsonderdelen en accessoires worden aangebracht die niet in ons leveringsprogramma vermeld staan. Bij aanpassingen van of wijzigingen aan het apparaat door personen, die hiertoe niet door ons gemachtigd zijn, vervalt het recht op garantie. Defecten die het gevolg zijn van onoordeelkundig gebruik, overbelasting of normale slijtage, vallen niet onder de garantie.

Defecten die het gevolg zijn van productie- of materiaalfouten, worden kosteloos verholpen; indien vereist ontvangt u een soortgelijk apparaat. Voorwaarde voor garantie is dat het apparaat in niet gedemonteerde toestand en compleet tezamen met aankoopbewijs en de garantiekaart wordt overhandigd.

Gebruik in geval van aanspraak op garantie uitsluitend de originele verpakking. Alleen dan kunnen wij u een probleemloze en snelle garantieafwikkeling garanderen.

Stuur de apparaten franco op of informeer naar een Freeway-sticker. Niet gefrankeerde zendingen kunnen wij helaas niet aannemen! De garantie geldt niet voor onderdelen, die door gebruikelijke slijtage versleten zijn. Neem contact op met de klantenservice wanneer u een beroep doet op garantie, bij storingen, wanneer u vervangingsonderdelen of accessoires nodig heeft:

Stanley Black & Decker Netherlands B.V.
Postbus 83
6120 AD Born
www.stanleyworks.nl
Enduser.NL@SBDinc.com
Tel : +31 164 28 30 63
NL Fax: +31 164 28 32 00

EE GARANTII

Käesolev seade on kvaliteettoode. See on kavandatud kooskõlas kehtivate tehniliste standarditega ja selle valmistamiseks on kasutatud standardiseid kvaliteetseid materjale.

Garantiaeg on 24 kuud ja jõustub alates ostukuupäevast, mida tõendatakse ostukviitungi, arve või üleandmisaktiga. Garantiiperioodi ajal kõrvaldab meie müüjijärgne teenindus seadme mis tahes funktsionaalse rikke, mis on tekkinud materjalivigade tõttu, vaatamata seadme nõuetekohasele käsitlemisele, nagu kirjeldatud meie kasutusjuhendis.

Garantiiraames parandame defektseid osad või asendame need töökorras osadega tasuta oma äranägemise järgi. Väljavahetatud osad jäävad meie omandisse.

Remontitööd või üksikosade vahetamine ei pikenda garantiiperioodi ja selle tulemusena ei anta seadmele uut garantiid. Sisseehitatud varuosadele ei kehti eraldi garantiid. Me ei saa anda garantiid seadmete või osade kahjustustele või defektidele, mis on põhjustatud üleäärase või rakendamise seadme kallal ja seadme ebaõigest kasutamisest või hooldamisest.

See kehtib ka kasutusjuhendi mittejärgimise korral ning varuosade ja lisatarvikute paigaldamisel, mis ei pärine meie tootevalikust. Seadme omavolilise muutmise korral volitamata isikute poolt kaotab garantiid kehtivuse. Garantiid ei kehti kahjustuste korral, mis on tingitud seadme ebaõigest käsitlemisest, ülekoormamisest või loomulikust kulumisest. Tootja põhjustatud või materjalivigadest tingitud kahjustused parandatakse või asendatakse uute varuosadega ilma selle eest tasu nõudmata.

Eelduseks on, et seade antakse üle kokkumonteeritult ja tervikuna ning ostu- ja garantiitõendiga.

Garantiinõude esitamisel kasutage ainult originaalpakendit.

Sellisel juhul saame me tagada kiire ja sujuva garantiimenetluse. Palun saatke meile seade, tasudes ise saatkulud või nõudke Freeway-klееbit.

Kahjuks ei saa me aksepteerida seadmeid, mille saamiseks eest ei ole tasutud.

Garantiid ei laiene osadele, mis on purunenud loomuliku kulumise tõttu.

Kui te soovite esitada garantiinõude, teatada riketest või tellida varuosi või lisatarvikuid, siis palun võtke ühendust alltoodud müüjijärgse teeninduskeskusega:

Käesolevat teavet võidakse muuta ilma ette teatamata.

AS Tallmac
Mustame tee 44,
EE-10621 Tallinn
www.tallmac.ee/est
T: +372 6562999
F: +372 6562955

LT GARANTIJA

Šis prietaisas – kokybiškas gaminyš. Jis buvo konstruotas, paisant šiandienos techniu žinių ir rūpestingai pagamintas, naudojant įprastas geras medžiagas. Garantiija siekia 24 mėnesius ir prasideda nuo gaminio perdavimo klientui momento, kuris yra patvirtinamas kasos čekiu, sąskaita arba važtaraščiu. Garantijos galiojimo laikotarpiu visus prietaiso gedimus pašalina mūsų klientų aptarnavimo skyriaus specialistai, kurie atsižanda nepaisant atsargaus įrankio naudojimo pagal mūsų eksploatacijos instrukciją ir turi būti atitinkamai patvirtinti.

Garantiija atliekama tokiu būdu, kad brokuotos dalys yra nemokamai suremontuojamos arba pakeičiamos naujomis dalimis mūsų pačių nuožū. Atsarginės dalys tada pereina mums. Suremontuojant arba pakeičiant atskiras dalis, garantinis laikotarpis nei prailgėja, nei suteikimas naujas. Sumontuotoms dalims atskiras garantinis laikotarpis nenumatomas ir netaikomas. Mes neatsakome už prietaiso ar jų dalių gedimus ir trūkumus, kurie susidaro dėl per didelės apkrovos, netinkamo naudojimo ir techninio jų aptarnavimo. Tai taip pat galioja, ir nesilaikant eksploatacijos bei atsarginių dalių ir priedų ir reikmenų montavimo instrukcijų nurodymų, kurie nenurodomi mūsų programoje. Remontuojant ar techniškai modifikuojant prietaisą asmenims, kurie mūsų tam nėra įgalioti, garantinių reikalavimų netenkama.

Gedimai ar žala, atsiradę dėl netinkamo naudojimo, perkrovos arba natūralaus nusidėvėjimo, garantiniu būdu netaisomi. Gamintojas neatsako už gedimus dėl to

pasekmių. Gedimai ar žala, kurie susidaro dėl gamintojo klaidos ar medžiagų broko, pašalinami remonto ar pakaitinės atsarginės detalės pristatymo būdu. Sąlyga tam yra ta, kad prietaisas būtų perduodamas neišardytas ir su visais pirkimo bei garantiniiais dokumentais. Garantijos reikalavimo atveju naudokite tik originalią prietaiso pakuotę.

Tokiu būdu mes Jums užtikrinsime greitą ir nepriklaistingą garantiją. Prašau, atsiųskite savo prietaisus mums su pristatymu arba lipduku su apmokėta siunta.

Neapmokėtų siuntinių, deja, priimti negalėsime! Garantiija nėra skirta dalims, kurios sudyla natūralaus nusidėvėjimo būdu.

Garantinių reikalavimų, gedimų atveju, prireikus atsarginių dalių arba priedų ir reikmenų, kreipkitės, prašau, į pagrindinį čia nurodytą klientų aptarnavimo skyrių: Galimi pakaitimai.

UAB ELREMTA OU
Neries kr. 16E
LT - 48402 Kaunas
info@elremta.lt
T: +370-685-29035
F: +370-37-406540

GR Εγγύηση

Αυτό το μηχάνημα είναι ένα προϊόν ποιότητας. Είναι σχεδιασμένο σε συμμόρφωση με τα σύγχρονα τεχνικά πρότυπα και κατασκευασμένο με καλά και ποιοτικά υλικά. Η περίοδος εγγύησης είναι 24 μήνες και ξεκινά από την ημερομηνία αγοράς που επιβεβαιώνεται από την απόδειξη αγοράς. Κατά το χρόνο της εγγύησης όλα τα λειτουργικά προβλήματα παρόμοια με την καλή λειτουργία του μηχανήματος και τα οποία προκύπτουν από ελαττώματα του εργαλείου θα επισκευάζονται από το εξουσιοδοτημένο σέρβις μας. Η εγγύηση καλύπτει την επισκευή και την αλλαγή ελαττωματικών μερών με καινούρια ανταλλακτικά χωρίς χρέωση. Τα παλιά ανταλλακτικά θα ανήκουν σε εμάς. Η αλλαγή ανταλλακτικών ή η επισκευή του μηχανήματος δεν θα παραιτούν το χρόνο εγγύησης ούτε σηματοδοτούν την εκκίνηση καινούριου χρόνου εγγύησης για το μηχάνημα. Δεν θα ξεκινάει καινούριος χρόνος εγγύησης για ανταλλακτικά τα οποία τοποθετούνται. Δεν μπορούμε να δώσουμε εγγύηση για ζημιές και ελαττώματα του μηχανήματος που έχουν προκύψει από υπερφόρτωση, ακατάλληλη χρήση και σέρβις. Αυτό ισχύει και για την μη συμμόρφωση στις οδηγίες χρήσης και της εγκατάστασης ανταλλακτικών και αξεσουάρ που δεν περιλαμβάνονται στην γκάμα των προϊόντων μας.

Σε περίπτωση αλλαγών ή ρυθμίσεων του μηχανήματος από μη εξουσιοδοτημένο προσωπικό η εγγύηση παύει να ισχύει. Παρακαλούμε να μας στείλετε τα μηχανήματά σας έχοντας πληρώσει τα μεταφορικά. Δυστυχώς δεν θα μπορούσαμε να παραλάβουμε μηχανήματα που δεν έχουν πληρωμένα τα μεταφορικά τους. Η εγγύηση δεν καλύπτει τα αναλώσιμα ανταλλακτικά. Εάν θέλετε να παραγγείλετε ανταλλακτικά, να αναφέρετε προβλήματα ή να ζητήσετε την εγγύηση σας παρακαλώ επικοινωνήστε με τον προμηθευτή σας.

Antheon 6, Koropi
19400 Athens
GR
www.nikolaoutools.gr
Tel: 210 9753757
Fax: 0030 210 9737423

BG Гаранция

Тази машина е висококачествено изделие. Тя е конструирана при спазване на съвременните технически познания и за професионално от производство е използван обикновен качествен материал. Гаранционният срок е 24 месеца и започва от момента на предаването, който трябва да се докаже с касов бон, фактура или стокова разлипка. В рамките на гаранционния срок нашият сервиз отстранява всички функционални повреди, които са се появили въпреки внимателното боравене с машината в съответствие с нашата инструкция за експлоатация и за които може да се докаже, че се дължат на дефекти в материала. Гаранционното обслужване се осъществява безплатно по наш избор чрез ремонтване на дефектните детайли или чрез замяна с изправни детайли. Подменените части стават наша собственост. При ремонт или замяна на отделни детайли нито се удължава гаранционният срок, нито се дава нов гаранционен срок за машината. За монтираните резервни части не се дава отделен гаранционен срок. Ние не поемаме гаранция за повреди и дефекти в машините или техните части, които са се появили вследствие на прекомерно натоварване, неправилна работа или поддръжка. Това важи и в случаите на неспазване на инструкцията за експлоатация, както и за резервни части и аксесоари, които не са посочени в нашата програма. При намяса или промени по машината от лица, които не са упълномощени за това от нас, гаранционната претенция отпада. Повреди, които се дължат на неправилно манипулиране, претоварване или на естествено износване, не са включени в гаранцията. Или на естествено износване, не са включени в гаранцията.

Производителят не носи отговорност за последващи повреди. Повреди, които са възникнали вследствие на грешки на производителя или дефектен материал, се отстраняват безплатно чрез ремонт или замяна. Предварително условие за това е машината да бъде върната в неразглобен вид и в пълен комплект, заедно с документ за покупка и гаранция. В гаранционен случай използвайте само оригиналната опаковка. Само така можем да Ви гарантираме безпроблемно и бързо гаранционно обслужване. Изпрашайте машините „франко фирмата“ (с платена доставка до фирмата) или изисквайте лепенка Freeaway. За съжаление не можем да приемем пратки, с неплатена доставка до фирмата! Гаранцията не се отнася за всички части, които се износват по естествен начин. При предявяване на гаранционна претенция, повреди, потребност от резервни части или аксесоари се обръщайте към посочената тук сервизна централа:

Запазено право на изменения.

TASHEV-GALVING LTD
68 KLIMENT OHRIDSKI BLVD.
1756 Sofia, Bulgaria
www.tashev-galving.com
T: +359 2 700 45 45 4
F: +359 (2) 439 21 12

HU SZAVATOSSÁG

Ez a készülék minőségi termék. Szerkesztése a jelenlegi műszaki ismeretek figyelembe vételével történt, és azt a szokásos jó minőségű anyagok felhasználásával, gondos munkával készítettük. A szavatossági időtartam 24 hónap, mely az átadás időpontjában kezdődik, s amit pénztárblokkal, számlával, vagy szállítótévéllel kell igazolni. A szavatossági idő alatt minden olyan működési hibát ügyfélszolgálatunk szüntet meg, mely bizonyíthatóan, a használati utasításnak megfelelő óvatossággal történt használat ellenére anyaghibára vezethető vissza. A szavatosság érvényesítése úgy történik, hogy a hibás alkatrészt saját döntésünk alapján vagy díjmentesen megjavítjuk, vagy pedig kifogástalan alkatrésszel helyettesítjük. A kicserélt alkatrészek a tulajdonunkba kerülnek. Az egyes alkatrészek javítása, vagy cseréje révén a szavatossági idő nem hosszabbodik meg és a készülékre vonatkozóan sem állapítunk meg új szavatossági időt. A beépített alkatrészekre nem vonatkozik saját szavatossági határidő. A készülékek és alkatrészeik olyan hibáért és hiányosságaiért, melyek túlzott igénybevétel, szakszerűtlen használat és karbantartás miatt következnek be, nem vállalunk szavatosságot. Ez érvényes a kezelési utasítás figyelmen kívül hagyására, valamint az olyan alkatrészek és tartozékok beépítésének esetére is, melyek nem szerepelnek programunkban. Ha olyan személyek nyúlnak bele a készülékbe, vagy módosítják azt, akiket erre nem hatalmaztunk fel, a szavatossági igény megszűnik. Az olyan károk esetében, melyek szakszerűtlen használatra, túlterhelésre vagy természetes elhasználódásra vezethetők vissza, a szavatosság nem érvényes.

A gyártási, vagy anyaghibára visszavezethető károkat javítással, vagy cserealkatrészek biztosításával térítésmentesen szüntetjük meg. Ennek az a feltétele, hogy a teljes készüléket szétszedés nélkül a számlával és a szavatossági jeggyel együtt szállítja be. Garanciális esetben kizárólag az eredeti csomagolást használja. A szavatossági eset problémamentes és gyors lebonyolítását így tudjuk garantálni. Kérjük, küldjék be a készüléket „frei Haus“ (bérmentesítve), vagy igényeljenek hozzá egy Freeaway-matricát (előre megfizetett postaköltséggel). A nem bérmentesített küldeményeket sajnos nem tudjuk elfogadni! A szavatosság nem vonatkozik olyan alkatrészekre, melyek a természetes elhasználódás következtében vannak kitéve kopásnak. Szavatossági igény, hibák, valamint alkatrészek és tartozékok iránti igény esetén forduljanak az alább feltüntetett ügyfélszolgálati központhoz.

A választatások jogát fenntartjuk.

Rotel Kft.
1163 Budapest, Thököly út 17.
www.stanleyworks.hu
service@rotelkft.hu
Tel +36 1 404-0014
Fax+36 1 403-2260

Benzin-Kettensäge / SCS-46 JET

GB WARRANTY

Purchased at: _____
in (city, street): _____
Name of customer: _____
Street address: _____
Postal code, city: _____
Telephone: _____
Date, signature: _____
Fault description: _____

D GARANTIE

gekauft bei: _____
in (Ort, Straße): _____
Name d. Käufers: _____
Straße, Haus-Nr.: _____
PLZ, Ort: _____
Telefon: _____
Datum, Unterschrift: _____
Fehlerbeschreibung: _____

F GARANTIE

Acheté chez : _____
à (ville, rue) : _____
Nom de l'acheteur : _____
Rue, N° : _____
CP, ville : _____
Téléphone : _____
Date, signature : _____
Description du défaut : _____

I GARANZIA

acquistato da: _____
in (località, via): _____
Nome dell'acquirente: _____
Via, Nr. civivo: _____
CAP, Località: _____
Telefono: _____
Data, Firma: _____
Descrizione del difetto: _____

LT GARANTIJA

Pirkta (pas): _____
(Vieta, gatvė): _____
Pirkėjo vardas, pavardė: _____
Gatvė, namo Nr.: _____
Pašto indeksas, vieta: _____
Telefonas: _____
Data, parašas: _____
Klaidos ar defekto aprašymas: _____

PL Gwarancja

kupiono u: _____
w (miejscowosc, ulica): _____
nazwisko kupujacego: _____
ulica, nr domu: _____
kod pocztowy, miejscowosc: _____
telefon: _____
data, podpis: _____
opis usterki: _____

HR JAMSTVOE

Kupljeno kod: _____
u (mjesto, ulica): _____
ime kupca: _____
Ulica, kućni broj: _____
Broj pošte, mjesto: _____
Telefon: _____
Datum, potpis: _____
Opis greške: _____

NL GARANTIE

Gekocht bij: _____
In (plaats, straat): _____
Naam v/d koper: _____
Straat, huisnr.: _____
Postcode, plaats: _____
Telefoon: _____
Datum, handtekening: _____
Beschrijving van de fout: _____

EE GARANTII

Õstetud: _____
Linn, tänav: _____
Kliendi nimi: _____
Aadress (tänav): _____
Postiindeks, linn: _____
Telefon: _____
Kuurpäev, allkiri: _____
Rikke kirjeldus: _____

GR Εγγύηση

Αγορασμένο στο: _____
Διεύθυνση (πόλη, οδός): _____
Όνομα πελάτη: _____
Διεύθυνση πελάτη: _____
Ταχυδρομικός κώδικας, πόλη: _____
Τηλέφωνο: _____
Ημερομηνία, υπογραφή: _____
Περιγραφή βλάβης: _____

BG Гаранция

Закупено от: _____
В (нас. място, улица): _____
Име на купувача: _____
Улица, №: _____
Пощенски код, нас. място: _____
Телефон: _____
Дата, подпис: _____
Описание на повредата: _____

HU JÓTÁLLÁS

Vásárlás helye: _____
Cím (település, utca): _____
A vásárló neve: _____
Utca, házszám: _____
IRSZ, település: _____
Telefon: _____
Dátum, aláírás: _____
A hiba leírása: _____