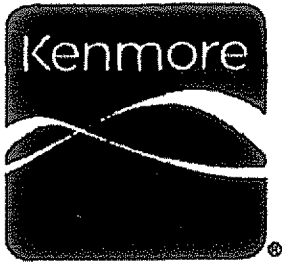
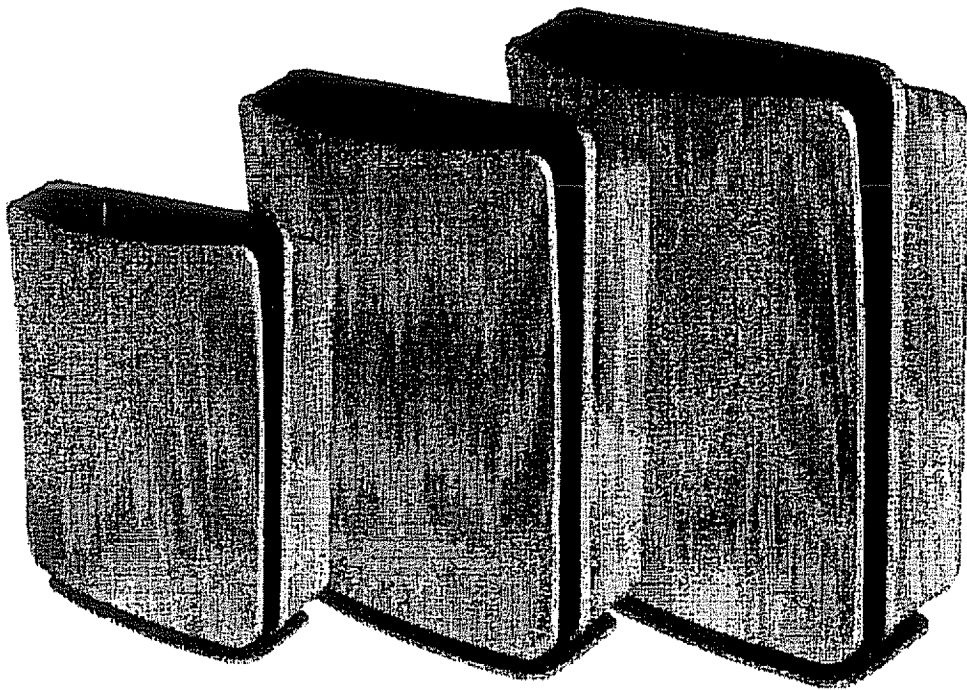


Use & Care Guide



PlasmaWave™ True HEPA Air Cleaner

Models 85150 • 85300 • 85450 ✓



85150

85300

85450

ENGLISH

ESPAÑOL

CAUTION:

Read and follow all safety rules and instructions before operating this equipment.

ADVERTENCIA:

Lea y siga todas las reglas e instrucciones de seguridad antes de operar este equipo.

TABLE OF CONTENTS

In order to be able make the best possible use of your air cleaner, we recommend that you begin by reading through the instructions and that you keep the instruction manual for future reference.

Warranty	3
Package Contents	3
Safety Instructions	4
Air Cleaner Features	5
Product Specifications.....	6
Air Cleaner Set-Up.....	7
Control Panel.....	8
Operation.....	8
Care and Maintenance	9
Filter Replacement	10-11
Remote Control	12
Troubleshooting.....	13
Get it Fixed	14

WARRANTY

ENGLISH

KENMORE FULL WARRANTY

If this Kenmore product fails due to a defect in material or workmanship within one year from the date of purchase, call 1-800-4-MY-HOME(r) to arrange for free repair (or replacement if repair is unavailable or not possible).

This warranty does not cover the air cleaner filters, which are expendable parts.

This warranty applies for only 90 days from the date of purchase if this product is ever used for other than private household purposes.

This warranty applies only while this product is used in the United States.

This warranty gives you specific legal rights, and you may also have other rights which vary from state to state.

Sears, Roebuck and Co., Hoffman Estates, IL 60179

PACKAGE CONTENTS

Models 85300 and 85450

- 1 Air Cleaner with True HEPA Filter
- 2 Carbon Pre-Filters with Sanitized™ in a resealable plastic bag
- 1 3V Lithium Battery (CR2025)
(installed in remote)
- 1 Remote Control
- 1 Wall-Mountable Remote Cradle
- 1 Remote Cradle Screw
- 1 Remote Cradle Adhesive
- 1 Use & Care Guide
- 1 Drywall Anchor for Screw

Models 85150

- 1 Air Cleaner with True HEPA Filter
- 2 Carbon Pre-Filters with Sanitized™ in a resealable plastic bag
- 1 Use & Care Guide



SAFETY INSTRUCTIONS

Thank you for purchasing a Kenmore air cleaner. Please read this manual carefully before using. This product is for household use only.

IMPORTANT CAUTIONS FOR USING YOUR AIR CLEANER


WARNING: Follow the instructions in this manual to reduce the risk of electric shock, short circuit, and/or fire:

- Do not repair or modify the unit unless specifically recommended in this manual. All other repairs should be completed by a qualified technician.
- The plug for this unit is polarized with one blade wider than the other. Do not force the plug into an electrical outlet. Do not alter the plug in any way. If the plug does not fit into the outlet, reverse the plug. If it still does not fit, contact a qualified technician to install a proper outlet.
- Do not use if the power cord or plug is damaged or the connection to the wall outlet is loose.
- Use AC 120V only.
- Do not damage, break, forcefully bend, pull, twist, bundle, coat, pinch, or place heavy objects on the power cord.
- Periodically remove dust from the power plug. This will reduce the risk of shock due to humidity build up.
- If the power plug is damaged, it must be replaced by the manufacturer or a qualified technician.
- Remove the power plug from the outlet before cleaning the unit. When removing the power plug, grasp by holding the plug itself, never hold by the cord.
- Remove the power plug from the outlet when not in use.
- Do not handle the power plug with wet hands.
- Do not operate the unit when using indoor smoke-generating insecticides.
- Do not clean unit with benzene or paint thinner. Do not spray insecticides on the unit.
- Do not use the unit where it is humid or where the unit may become wet, such as in a bathroom.
- Do not insert fingers or foreign objects into the air intake or outlet.
- Do not use the unit near flammable gases. Do not use near cigarettes, incense, or other spark-creating items.
- Unit will not remove carbon monoxide emitted from heating appliances or other sources.

IMPORTANT PRECAUTIONS FOR USING YOUR AIR CLEANER

- Do not block the intake or outlet vents.
- Do not use near hot objects, such as a stove.
- Do not use where the unit may come into contact with steam.
- Do not use the unit on its side.
- Keep away from products that generate oily residue, such as a deep fryer.
- Do not use detergent to clean the unit.
- Do not operate without a filter.
- Do not wash and reuse the True HEPA Filter or the Carbon Pre-Filter.
- Hold the handle on the back of the unit to transport.
- Do not hold by the front panel.

AIR CLEANER FEATURES

 **CAUTION:** Fully assemble air filter before using (See Air Cleaner Set-Up on following page). Note: Features vary according to model.

- **Quiet Operation**

This Kenmore air cleaner has a four-speed fan with quiet operation that is ideal for nighttime.

- **Air Quality Sensor**

This Kenmore air cleaner has an AIR QUALITY sensor that detects the presence of various pollutants in the air. The unit automatically increases fan speed to clean more air volume and remove the impurities quickly.

- **Light Sensor**

The built-in light sensor detects when the room is dark and automatically dims the lights of the control panel and lowers the fan speed for quiet and energy-efficient operation. Once the room is dark, the light sensor will keep the lights dim, and not allow the fan to increase speed despite what the AIR QUALITY sensor detects.

- **Multi-Stage Cleaning**

The air passes through multiple stages of cleaning before returning to the room.

- **PlasmaWave™ Technology**

PlasmaWave™ Technology uses a strong corona discharge to attack pollutants at the molecular level.

- **Sanitized™ Treated Carbon Pre-Filter**

The Carbon Pre-Filter collects large particles, such as dust, pet hair, and lint. It absorbs odor-causing gases, such as those caused by cigarette smoke, organic decay, and cooking, and is treated with Sanitize™ to effectively reduce the development of bacteria and fungi. For best performance, replace every three months.



- **True HEPA Filter**

Captures 99.99% of particles and impurities as small as 0.3 microns, including smoke, dust, pollen, and other allergens. Replace when the CHECK FILTER indicator light turns on.



ENGLISH

Advanced PlasmaWave™ Technology

PlasmaWave™ uses a strong corona discharge to break apart airborne pollutants at the molecular level.

In a fraction of a second, PlasmaWave™ combines with naturally occurring water molecules in the air (H_2O) to create billions of Hydroxyl Radical molecules (OH).

OH is an unstable molecule that seeks equilibrium by stealing hydrogen atoms from adjacent molecules containing hydrogen (the pollutants), thereby reforming them into harmless molecules of water, carbon dioxide, and other acceptable molecules.

The result is a measurable reduction of pollutants after the air passes through the Plasma Generator (PlasmaWave™).

By reforming molecules, PlasmaWave™ technology can reduce odors, as well as VOCs (chemical vapors). It is also effective at reducing airborne microorganisms—bacteria and viruses.

The PlasmaWave™ technology is harmless and the OH molecule only lives for a nanosecond while it reforms surrounding molecules. Most importantly—unlike old style ion technology—PlasmaWave™ does not produce high levels of ozone as a by-product.

When combined with a fan-and-filter air-cleaning system, PlasmaWave™ offers an effective and efficient way of cleaning the air of unwanted pollutants including dust, smoke, and pollen, as well as VOCs, allergens, micro-organisms, and odors.

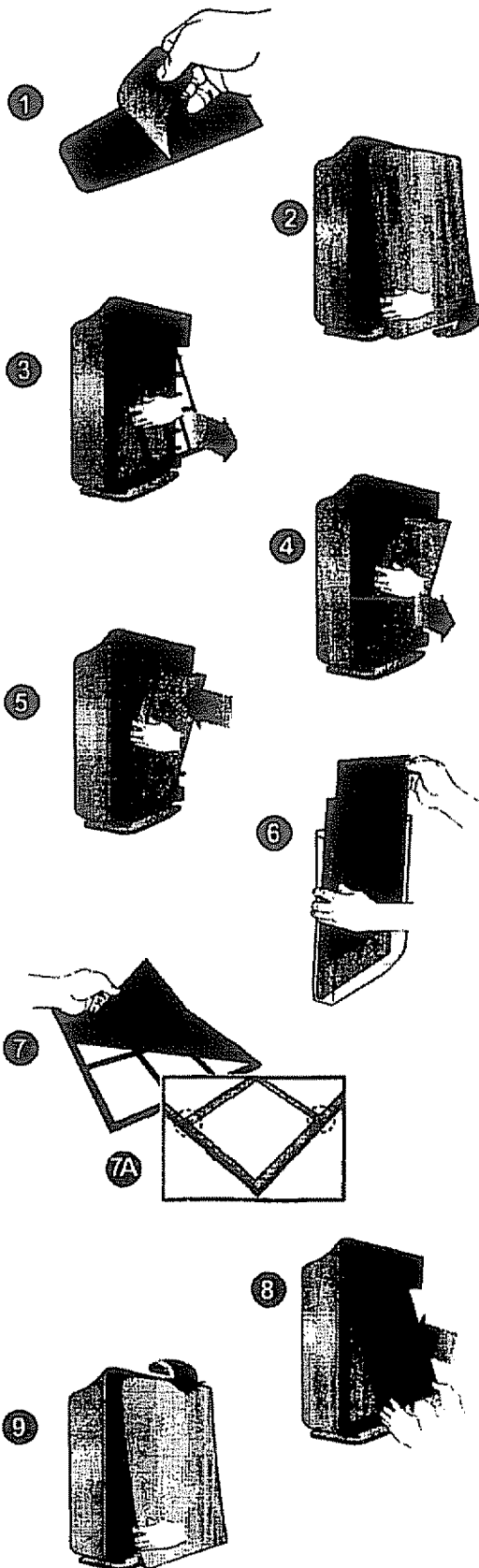
PRODUCT SPECIFICATIONS

Model	85150	85300	85450
Room Size	150 sq. ft.	300 sq. ft.	450 sq. ft.
Power Supply	AC 120V/60(Hz)	AC 120V/60(Hz)	AC 120V/60(Hz)
Power Rate	Low 4W, Turbo 40W	Low 4W, Turbo 60W	Low 11W, Turbo 110W
Fan Speeds	4 Speeds	4 Speeds	4 Speeds
Display	Digital	Digital	Digital
Control Type	Auto/Manual	Auto/Manual	Auto/Manual
Remote Control	No	Yes	Yes
Air Quality Sensor	Yes	Yes	Yes
Light Sensor	Yes	Yes	Yes
AHAM Certified	Yes	Yes	Yes
UL Listed	Yes	Yes	Yes
Sanitized™ Treated Carbon Pre-Filter	Yes	Yes	Yes
Energy Star Qualified	Yes	Yes	Yes
Check Filter Indicator	Yes	Yes	Yes
Cleaning System			
- Carbon Pre-Filter	Yes	Yes	Yes
- True HEPA Filter	Yes	Yes	Yes
- PlasmaWave™	Yes	Yes	Yes
CADR	Smoke/Dust/Pollen	Smoke/Dust/Pollen	Smoke/Dust/Pollen
	98/98/103	197/197/214	291/298/343
Unit Size (inches, LxWxH)	8.27 x 18.50 x 13.78	8.66 x 21.65 x 16.30	10.24 x 25.59 x 17.32
Unit Weight (lbs)	11.15	13.95	19.40

AIR CLEANER SET-UP

Set-Up Procedure

1. Remove protective film from the control panel.
2. Remove the front panel by pulling gently from the lower portion of the panel. Do not force; the panel should remove easily.
3. Remove the plastic frame from the unit.
4. Remove the True HEPA Filter and remove the plastic wrapper from the filter.
5. Install the True HEPA Filter with the arrow showing "air flow" pointing in toward the back of the air cleaner; the white tabs at the top and bottom of the HEPA filter will point out to the front of the unit.
6. Open the resealable plastic bag containing the Carbon Pre-Filters and remove one filter. Reseal the plastic bag to maintain the freshness of the remaining filter.
7. Install the Carbon Pre-Filter onto the plastic frame by pushing against six "hook and loop" squares on the back of the frame. (Diag. 7A)
8. Install the plastic frame by inserting tabs up into the air cleaner and gently pushing in at the bottom tab until the frame fits into place snugly.
9. Replace the front panel by hooking the panel on the top of the unit. Swing the panel in by pushing gently on each side of the unit and then lock it into place.
10. Plug the power cord into a wall outlet.
11. Press and hold the POWER button until a short "beep" sounds.
12. The air cleaner will take 3-4 minutes to calibrate the AIR QUALITY sensor. During this time the sensor lights will flash on and off. Once the sensor has calibrated, the lights will stop flashing and the unit will begin in AUTO mode.
13. Remove tab from remote control (85450/85300 only).

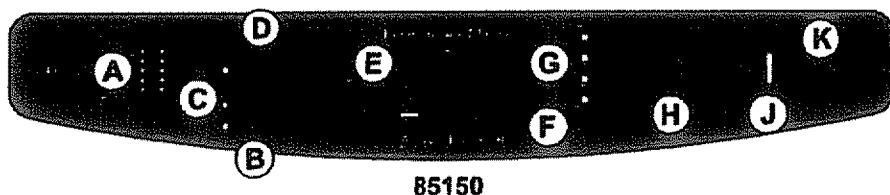


ENGLISH

Note: For best results and to maximize air flow:

- Place unit at least 2 feet away from the wall.
- Place the unit away from drafty areas, as the sensors may not react accurately.
- Do not place near curtains, furniture, or other items that might inhibit air flow.
- Place the unit on a stable surface.

CONTROL PANEL



85150



85300/85450

- A. AIR QUALITY SENSOR:** Automatically monitors the air quality level and adjusts fan speed accordingly.
- B. CHECK FILTER INDICATOR:** The indicator will signal when to replace the True HEPA Filter.
- C. RESET FILTER:** Resets the CHECK FILTER indicator light.
- D. AUTO:** Changes the fan speed to AUTO.
- E. PLASMA INDICATOR:** Displays the PLASMA activity. (See page 2 for PlasmaWave™ Technology)
- F. AIR QUALITY LEVEL INDICATOR:** Displays the current quality of the air.
- G. FAN SPEED INDICATOR:** Displays current fan speed setting.
- H. FAN SPEED:** Once the machine is on and in AUTO mode, switch to manual operation by pressing FAN SPEED button on the unit.
- J. POWER BUTTON:** Turns the unit on and off.
- K. LIGHT SENSOR:** When in AUTO mode, this keeps the control panel lights dim and will not allow the fan to increase above QUIET speed when the room is dark.

OPERATION

AUTOMATIC OPERATION: When in AUTO mode, the air cleaner will automatically sense the amount of impurities in the air and adjust the fan speed accordingly. When the unit is first turned on it will default to AUTO mode.

MANUAL OPERATION (Adjusting the fan speed): Once the unit is on, switch to manual operation by pressing the UP & DOWN arrow buttons on the remote control or the FAN SPEED button. Once in manual operation, the fan speed will not automatically adjust to the air quality or light level.

- **QUIET, MEDIUM, HIGH:** These levels are recommended for standard, daytime use. HIGH will activate automatically when sensors detect high levels of impurities in the air. QUIET, the lowest setting, is the energy saving mode.

- **TURBO:** The TURBO level, the highest fan speed, can be activated manually for maximum air circulation. The TURBO level will not automatically activate.

AIR QUALITY SENSOR: The air quality sensor displays five levels of impurities in the air. If the unit is set to automatic operation, the air quality sensor will adjust fan speeds according to the air quality; fan speed will decrease as air quality improves. The AIR QUALITY sensor responds to cigarette smoke and pet odors, as well as other contaminants, such as insecticides, cosmetics, and alcohol or aerosol sprays. The AIR QUALITY LEVEL indicator shows three colors: blue, orange, and red. The blue light indicates clean air, the orange light indicates unclean air, and the red light indicates very unclean air. If the unit is set to automatic operation, it will change fan speeds to compensate for different levels of air pollution.

Note: This equipment has been tested and found to comply with the limits for a Class B digital device, pursuant to 15 of the FCC rules. These limits are designed to provide reasonable protection against harmful

interference in a residential installation. This equipment generates, uses, and can radiate radio frequency energy and, if not installed and used in accordance with the instructions, may cause harmful interference to radio communications. However, there is no guarantee that interference will not occur in a particular installation. If this equipment does cause harmful interference to radio or television reception, which can be determined by turning the equipment off and on, the user is encouraged to try to correct the interference through one or more of the following:

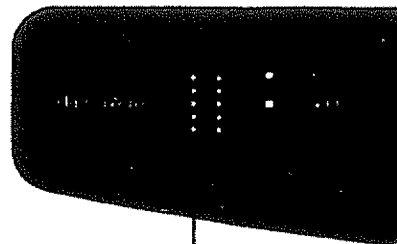
- Reorient or relocate the receiving antenna.
- Increase the distance between the equipment and the air cleaner.
- Connect the air cleaner to an outlet on a circuit different from that to which the equipment is connected.
- Consult an experienced television/radio technician.

CARE AND MAINTENANCE

CAUTION: Turn off the air cleaner and unplug the electrical cord before performing any maintenance.

Cleaning

- Clean unit as necessary by wiping with a dry, soft cloth; for stubborn stains, use a warm, damp cloth.
- Do not use volatile fluids such as benzene, paint thinner, or scouring powder, as they may damage the surface.
- Keep the unit dry.
- Lightly vacuum the AIR QUALITY sensor every three months.



AIR QUALITY SENSOR

FILTER REPLACEMENT

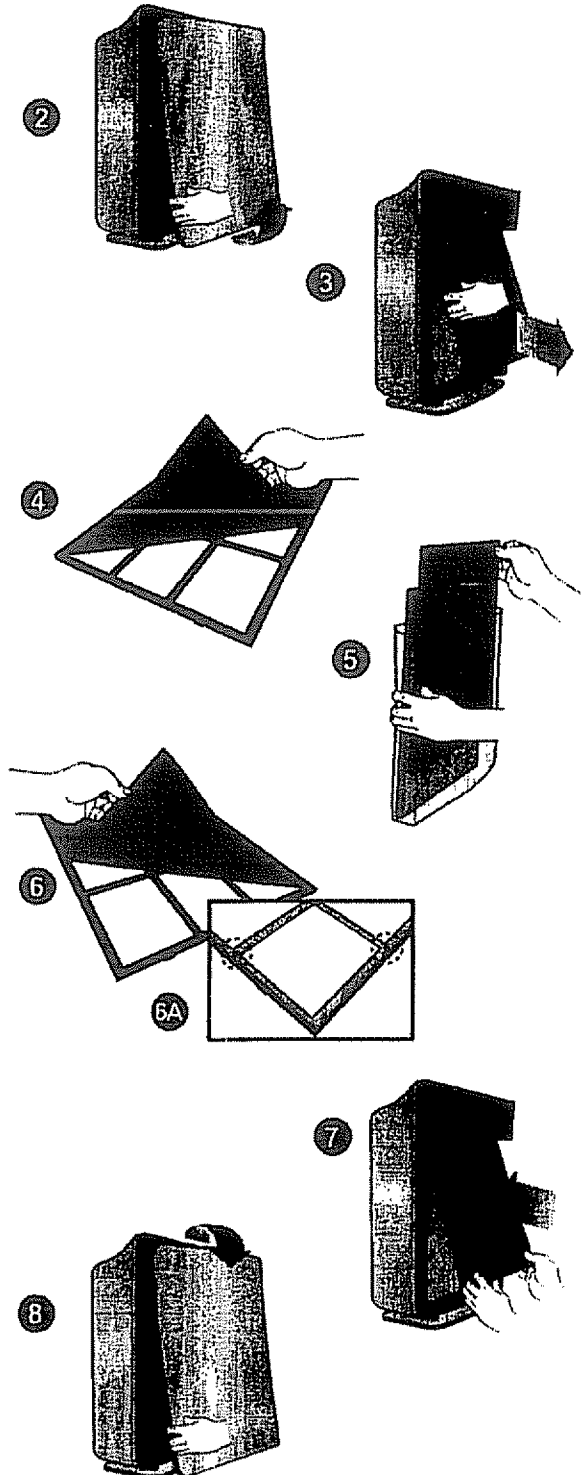
Filter Replacement

- There are two separate filters: True HEPA Filter and Carbon Pre-Filter.
- The CHECK FILTER indicator will signal when to replace the True HEPA Filter. The replacement period will vary depending on the hours of usage, air quality, and location of the unit. However, in most cases of normal use the filter will need to be replaced annually.
- Change the True HEPA Filter when the CHECK FILTER indicator is on.
- For best performance, change the Carbon Pre-Filter every three months. This filter should be disposed of when changed.

Carbon Pre-Filter Replacement

1. Turn off the air cleaner and unplug the electrical cord.
2. Remove the front panel by pulling gently from the lower portion of the panel. Do not force, the panel should remove easily.
3. Remove the Carbon Pre-Filter and plastic frame by gently pulling out from the bottom and down from the top.
4. Remove the Carbon Pre-Filter from the plastic frame and dispose of it.
5. Remove a replacement Carbon Pre-Filter from the resealable plastic bag and reseal to maintain the freshness of the remaining filter.
6. Install the Carbon Pre-Filter onto the plastic frame by pushing against six "hook and loop" squares on the back of the frame. (Diag. 6A)
7. Install the plastic frame by inserting tabs up into the air cleaner and gently pushing in at the bottom tab until the frame fits into place snugly.
8. Replace the front panel by hooking the panel on the top of the unit. Swing the panel in by pushing gently on each side of the unit and then lock it into place.
9. Plug in air cleaner and press POWER button until short "beep" sounds.

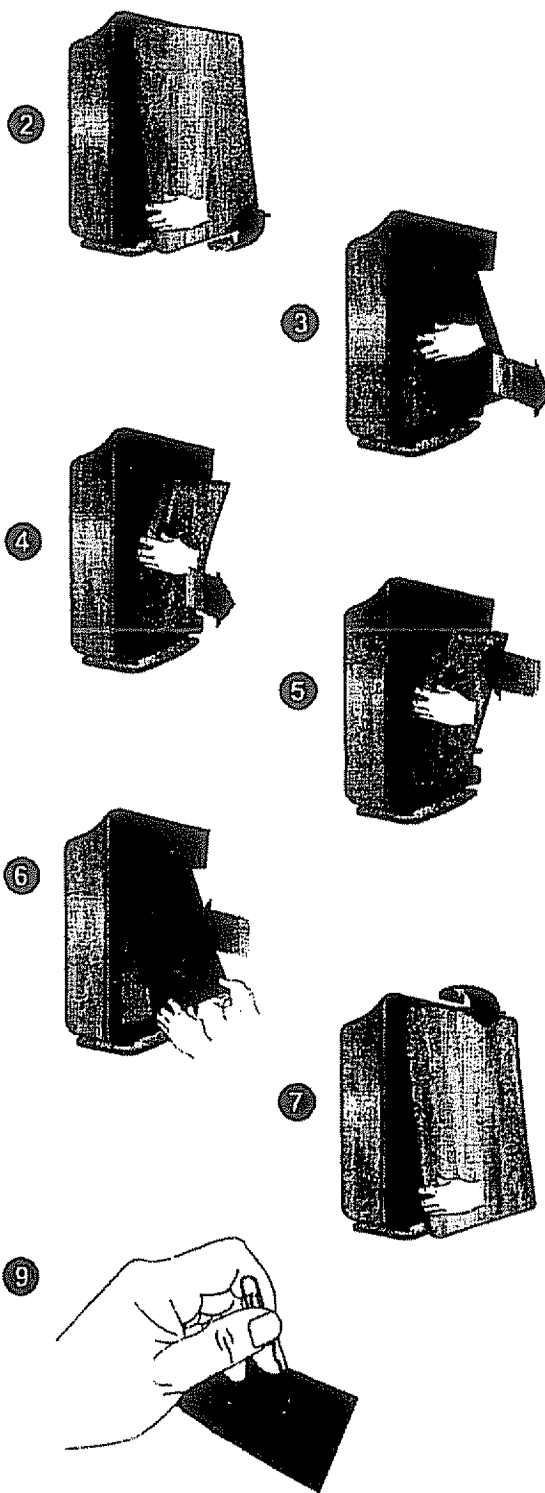
CAUTION: Do not wash and reuse the True HEPA Filter or the Carbon Pre-Filter as they will not work effectively.



True HEPA Filter Replacement

1. Turn off the air cleaner and unplug the electrical cord.
2. Remove the front panel by pulling gently from the lower portion of the panel. Do not force, the panel should remove easily.
3. Remove the Carbon Pre-Filter and plastic frame by gently pulling out from the bottom and down from the top.
4. Remove the True HEPA Filter and dispose of it.
5. Remove the plastic wrap from the new True HEPA Filter and insert it with the arrow showing "air flow" pointing in toward the back of the air cleaner. The white tabs at the top and bottom of the True HEPA Filter will point out to the front of the unit.
6. Reinstall the plastic frame and Carbon Pre-Filter by inserting tabs up into the air cleaner and gently pushing in at the bottom tab until the frame fits into place snugly.
7. Replace the front panel by hooking the panel on the top of the unit. Swing the panel in by pushing gently on each side of the unit and then lock it into place.
8. Plug in air cleaner and press POWER button until short "beep" sounds.
9. Press the RESET FILTER button by gently inserting a paperclip into the RESET FILTER hole on the control panel. The light will flash 5 times before a "beep" sounds to indicate the filter has been reset. See figure C on page 8 or Diag. 9 to the right.

The air cleaner will take 3-4 minutes to calibrate the AIR QUALITY sensor. During this time the sensor lights will flash on and off. Once the sensor has calibrated, the lights will stop flashing and the unit will begin in AUTO mode.

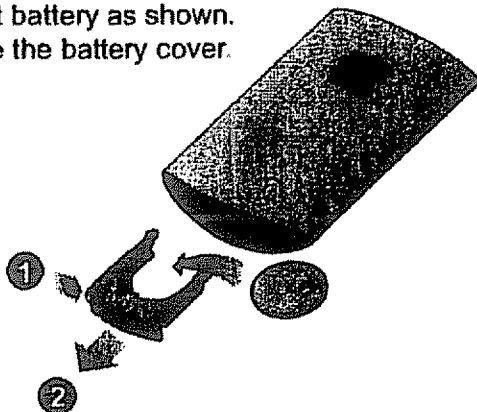


ENGLISH

REMOTE CONTROL (8545D/8530D only)

BATTERY REPLACEMENT

1. Squeeze tab of battery cover.
2. At the same time pull cover out of remote.
3. Insert battery as shown.
4. Close the battery cover.



CRADLE: The remote control has a separate wall-mountable storage cradle that can be conveniently attached to any wall using a screw.



BATTERY USE

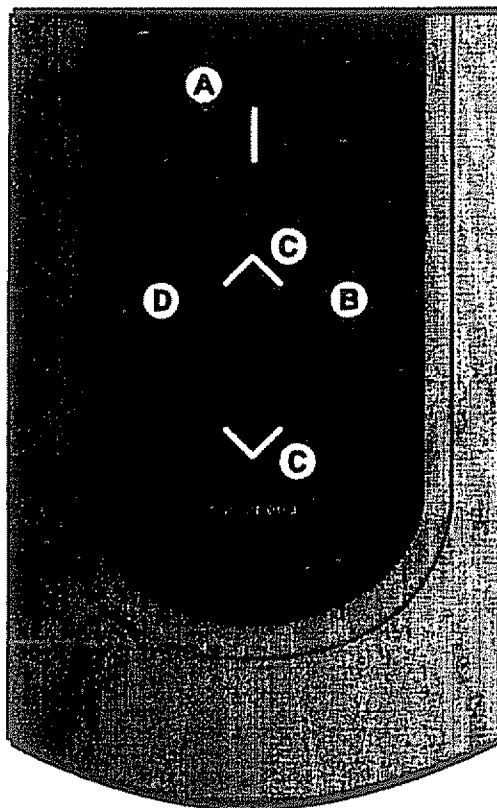
- Insert 3V lithium battery CR2025 into the remote control.
- Incorrect battery usage may cause battery fluid leakage and/or damage.
- When not using remote control for an extended period, remove the battery.
- Avoid dropping or damaging the remote control. Keep remote control away from direct sunlight or heaters.

PROPER OPERATING CONDITIONS

- Operate the remote control facing the air cleaner.
- Operate within 20 feet of the air cleaner.

IMPROPER OPERATING CONDITIONS

- Any location where there is inverter lighting equipment or electronic spontaneous lighting equipment.
- When objects or furniture are located between the remote and the air cleaner.
- When air cleaner unit is located in direct sunlight, as sunlight may interfere with the infrared sensor.
- In areas where fluorescent lighting is flickering due to worn-out bulbs.



- A. POWER:** Use the power button to turn the power on and off. A short "beep" will sound when the unit turns on or off.
- B. AUTO:** When in AUTO mode, the air cleaner will automatically sense the amount of impurities in the air and adjust the fan speed accordingly. When the unit is first turned on it will default to AUTO mode.
- C. FAN SPEED**
- **UP:** Use this button to switch from automatic operation and increase the fan speed.
 - **DOWN:** Use this button to switch from automatic operation and decrease the fan speed.
- D. TURBO:** Use this button to switch from automatic operation and begin the maximum amount of room air cleaning and air movement.

TROUBLESHOOTING

Before You Call

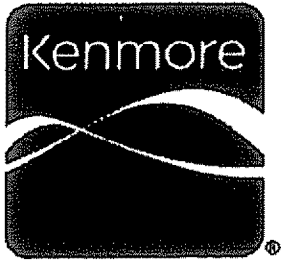
Solutions to Common Problems

Before you call for service, review the list below. This list covers problems that are not the result of defective materials or workmanship.

OCCURRENCE	POSSIBLE CAUSE/SOLUTION
The remote control does not work.	<ul style="list-style-type: none"> • Make sure the remote control battery is inserted correctly. • Replace a worn-out battery. • Make sure that the remote control has a clear line of sight to the air cleaner.
The unit has stopped removing odors effectively, or seems to be emitting an odor.	<ul style="list-style-type: none"> • Make sure the AIR QUALITY sensor is not blocked or clogged. • Move the unit closer to the offending odors. • Replace the filters as they may have reached their capacity to absorb pollutants. You may need to replace filters more frequently.
The AIR QUALITY LEVEL indicator is orange or red, but the air seems clean.	Clear the AIR QUALITY sensor with a vacuum cleaner as it may be blocked or clogged.
Unit interferes with radio or television reception.	<p>Because this unit radiates radio frequency energy, try one or more of the following suggestions:</p> <ul style="list-style-type: none"> • Reorient or relocate the receiving antenna. • Increase the distance between the equipment and the air cleaner. • Connect the air cleaner to an outlet on a circuit different from that to which the equipment is connected. • Consult an experienced television/radio technician.
The CHECK FILTER indicator remains lit after replacing the True HEPA Filter.	Press the RESET FILTER button by gently inserting a paper-clip into the RESET FILTER button hole. Hold for 3-5 seconds until a "beep" sounds to indicate the unit has been reset.

ENGLISH

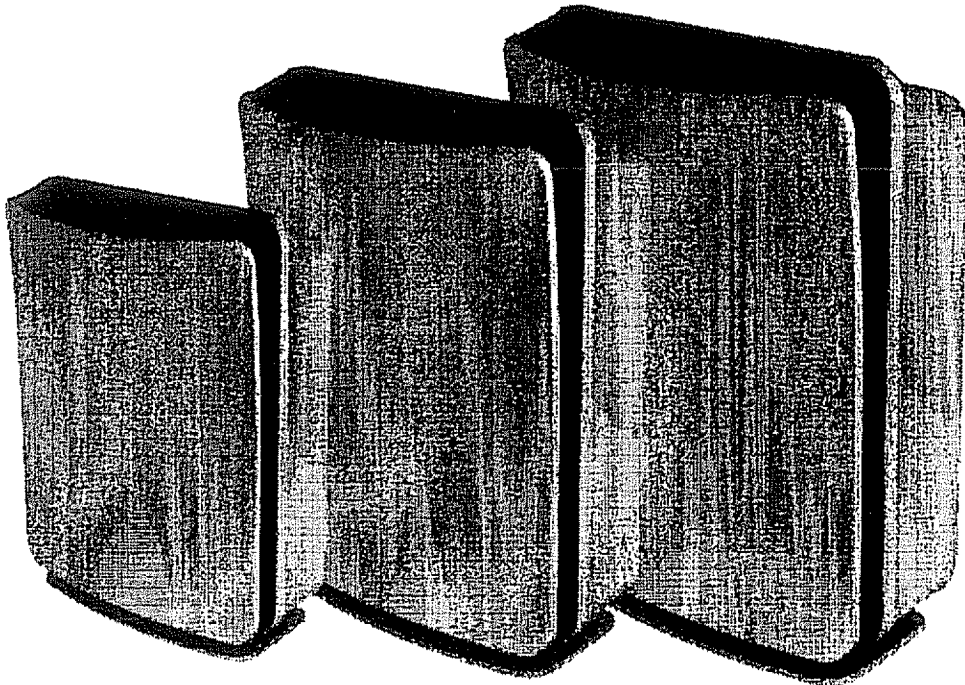
Guía de Uso y Mantenimiento



PlasmaWave™

Limpiador de Aire True HEPA

Modelos 85150 • 85300 • 85450



85150

85300

85450

ESPAÑOL

CAUTION:

Read and follow all safety rules and instructions before operating this equipment.

ADVERTENCIA:

Lea y siga todas las reglas e instrucciones de seguridad antes de operar este equipo.

ÍNDICE DE CONTENIDOS

A fin de ser capaz de hacer el mejor uso posible de su limpiador de aire, recomendamos que usted comience por leer rápidamente las instrucciones y que usted conserve el manual de instrucciones para futura referencia.

Garantía	17
Contenido del paquete	17
Instrucciones de seguridad.....	18
Características del filtro de aire	19
Especificaciones de producto	20
Sistema de filtro de aire	21
Panel de Instrumentos.....	22
Operación	22
Cuidado y mantenimiento.....	23
Reemplazo del filtro	24-25
Mando a distancia	26
Solución de problemas	27
Repárelo	28

GARANTÍA

GARANTÍA COMPLETA DE KENMORE

Si este producto Kenmore fallase debido a un defecto en los materiales o en la mano de obra en el período correspondiente a un año a partir de la fecha de compra, rogamos lo devuelva cualquier tienda de Sears u otra tienda de Kenmore en los Estados Unidos, para su reemplazo gratuito.

Esta garantía no cubre los filtros de los limpiadores de aire, ya que son partes prescindibles. Esta garantía sólo calificará durante 90 días a partir de la fecha de la compra en caso de que este producto sea usado alguna vez para objetivos que no sean otros que el menaje privado del hogar.

Esta garantía califica sólo mientras este producto sea usado en los Estados Unidos. Esta garantía le da derechos legales específicos, y usted también puede calificar para otros derechos que varían de estado a estado.

Sears, Roebuck and Co., Hoffman Estates, IL 60179

ESPAÑOL

CONTENIDO DEL PAQUETE

Modelos 85300 y 85450

- 1 Filtro de Aire con Filtro True HEPA
- 2 Prefiltros de Carbono con Sanitized™ en una bolsa de plástico resellable
- 1 Batería de Litio de 3V (CR2025)
- 1 Mando a Distancia
- 1 Abrazadera Remota de Instalación en Pared
- 1 Tornillo de Abrazadera Remoto
- 1 Adhesivo de Abrazadera Remoto
- 1 Guía de Uso y Mantenimiento

Modelos 85150

- 1 Filtro de Aire con Filtro True HEPA
- 2 Prefiltros de Carbono con Sanitized™ en una bolsa de plástico resellable
- 1 Guía de Uso y Mantenimiento



INSTRUCCIONES DE SEGURIDAD

Gracias por comprar un limpiador de aire Kenmore. Por favor, lea este manual con detenimiento antes de su utilización. Este producto es de uso doméstico únicamente.

PRECAUCIONES IMPORTANTES AL USAR SU FILTRO DE AIRE

ADVERTENCIA: Siga las instrucciones de este manual para reducir el riesgo de descarga eléctrica, cortocircuito, y/o fuego:

- No repare o modifique la unidad a menos que expresamente sea recomendado en este manual. Cualquier otra reparación debe ser completada por personal técnico cualificado.
- La clavija de esta unidad está polarizada mediante una patilla más ancha que la otra. No fuerce la clavija en la toma eléctrica. No modifique la clavija de ningún modo. Si la clavija no cabe en la toma, invierta la clavija. Si aún no cabe, póngase en contacto con personal técnico cualificado para instalar una toma apropiada.
- No usar en caso de que el cable de corriente o la clavija se encontraran dañados o la conexión a la toma de pared fuera débil.
- Uso de corriente alterna de 120V únicamente.
- No dañe, ni quiebre, ni doble energicamente, ni tire, ni enrosque, ni ate un fardo, ni cubra, ni pellizque, ni coloque ningún objeto pesado en el cable de corriente.
- Elimine periódicamente el polvo de la clavija de corriente. Esto reducirá el riesgo de descarga debido a un aumento de humedad.
- Si se daña la clavija de corriente, debe ser sustituida por el fabricante o por personal técnico cualificado.
- Extraiga la clavija de corriente de la toma antes de limpiar la unidad. Al extraer la clavija de corriente, agarre de la misma clavija, y nunca del cable.
- Extraiga la clavija de corriente de la toma cuando no esté en uso.
- No manipule la clavija de corriente con las manos mojadas.
- No haga uso de la unidad mientras use insecticidas de interior que generen humo.
- No limpie la unidad con el benceno ni disolvente para pintura. No rocíe la unidad de insecticida.
- No use la unidad en sitios húmedos, o en sitios en los que la unidad corra el riesgo de, caso de un cuarto de baño.
- No inserte sus dedos u ni objetos extraños en la toma de aire o toma.
- No use la unidad cerca de gases inflamables. No la use cerca de cigarrillos, incienso, u otros artículos que generen chispa.
- La unidad no eliminará el monóxido de carbono emitido por calentadores u otras fuentes.

PRECAUCIONES IMPORTANTES PARA USAR SU FILTRO DE AIRE

- No bloquear las tomas de entrada ni de salida.
- No usar cerca de objetos calientes, como una estufa.
- No usar allá donde la unidad pueda entrar en contacto con el vapor.
- No usar la unidad recostada sobre un lado.
- Mantener la unidad alejada de productos que generen residuos aceitosos, caso de una freidora.
- No usar detergente para limpiar la unidad.
- No usar la unidad sin un filtro.
- No lavar ni reutilizar su Filtro True HEPA ni su Prefiltro de Carbono.
- Agarrar del mango en la parte posterior de la unidad para su transporte.
- No agarrar por el panel delantero.

CARACTERÍSTICAS DEL FILTRO DE AIRE

PRECAUCIÓN: Ensamble totalmente el limpiador de aire antes de usar (Ver el Configuración del Filtro de Aire en la página siguiente). Nota: Las características varían según el modelo.

• Operación Tranquila

Este limpiador de aire Kenmore tiene una hélice de cuatro velocidades con una operación tranquila que es ideal para la noche.

• Sensor de Calidad de Aire

Este limpiador de aire Kenmore tiene un sensor de Calidad de Aire que detecta la presencia de varios agentes contaminantes en el aire. La unidad aumentará automáticamente la velocidad de hélice para limpiar más volumen de aire y quitar las impurezas rápidamente.

• Sensor de Luz

El sensor de luz incorporado detecta el momento en que una sala se encuentre oscura y automáticamente atenúa las luces del panel de instrumentos y baja la velocidad de hélice para una operación tranquila y ahorradora de energía. Una vez que la sala se oscurezca, el sensor de luz mantendrá sus luces débiles, y no permitirá que la hélice aumente de velocidad, independientemente de lo detectado por el sensor de Calidad de Aire.

• Limpieza Gradual

El aire pasa por etapas múltiples de limpieza antes de ser devuelto a la sala.

• Tecnología PlasmaWave™

La Tecnología PlasmaWave™ usa una descarga de corona fuerte para atacar a los agentes contaminantes en el nivel molecular.

• Prefiltro Tratado de Carbono Sanitized™

El Prefiltro de Carbono colecciona partículas grandes como polvo, pelo de mascota, e hilos. También absorbe el olor que causan gases como aquellos causados por el humo de cigarrillos, decaimiento orgánico y producto del cocinado; y el olor es tratado con Sanitized™ para reducir con eficacia el desarrollo de bacterias y hongos. Para un rendimiento eficaz, sustituir cada tres meses.

• Filtro True HEPA

Captura el 99.99 % de partículas e impurezas tan pequeñas como 0.3 micrones, incluso humo, polvo, polen y otros alérgenos. Sustituir cuando el Indicador de luz de CHECK FILTER se active.



Tecnología Avanzada PlasmaWave™

PlasmaWave™ usa una descarga de corona fuerte para destruir agentes contaminantes aerotransportados en el nivel molecular.

En una fracción de un segundo, PlasmaWave™ se combina con moléculas de agua naturales que ocurren en el aire (H_2O) para crear mil millones de moléculas Radicales de Hidróxilo (OH).

OH es una molécula inestable que busca el equilibrio robando átomos de hidrógeno de moléculas adyacentes que contienen el hidrógeno (los agentes contaminantes), convirtiendo a aquellas de esa manera en moléculas inocuas de agua, dióxido de carbono, y otras moléculas aceptables.

El resultado es una reducción mensurable de agentes contaminantes después de que el aire pasa por el Generador Plasma (PlasmaWave™).

Al convertir las moléculas, la tecnología PlasmaWave™ puede reducir olores, así como VOCs (vapores químicos). Es también eficaz en la reducción de bacterias de microorganismos aerotransportados y de virus.

La tecnología PlasmaWave™ es inocua y la molécula OH tan sólo vive un nanosegundo mientras convierte a las moléculas circundantes. Y, lo que es más importante — a diferencia de la obsoleta tecnología ionizante — PlasmaWave™ no produce niveles altos del ozono como un subproducto que es.

Al combinarse con una hélice y un sistema de filtro limpiador de aire, PlasmaWave™ ofrece un modo eficaz y eficiente de limpiar el aire de agentes contaminantes no deseados, como polvo, humo y polen así como VOCs, alérgenos, microorganismos y olores.

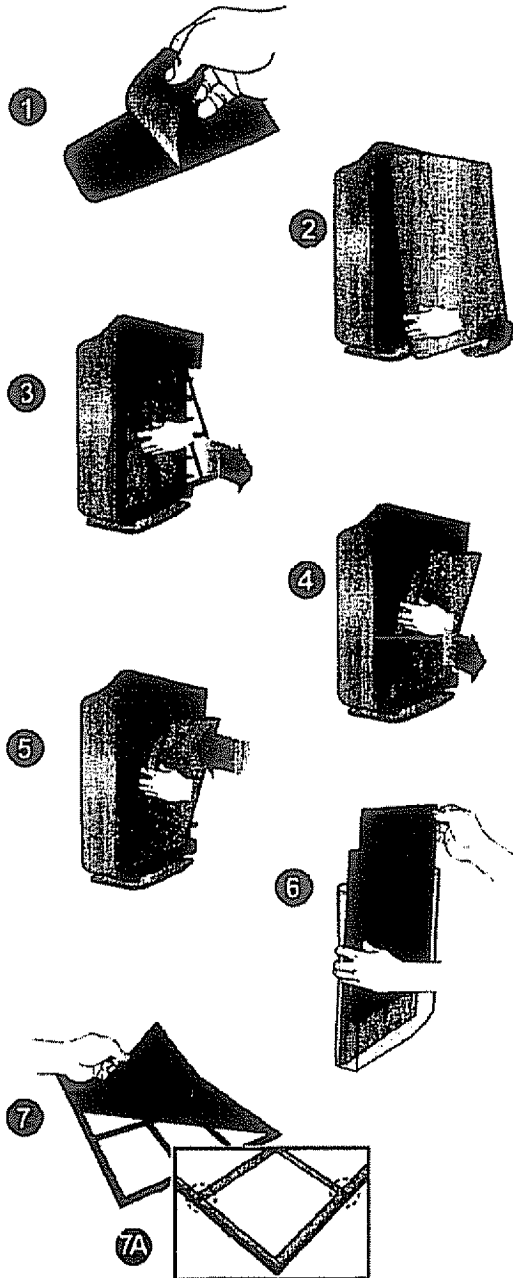
ESPECIFICACIONES DE PRODUCTO

Modelo	85150	85300	85450
Tamaño de la Sala	150 pies cuadrados	300 pies cuadrados	450 pies cuadrados
Alimentación	AC 120V/60(Hz)	AC 120V/60(Hz)	AC 120V/60(Hz)
Tasa de Corriente	Baja 4W, Turbo 40W	Baja 4W, Turbo 60W	Baja 11W, Turbo 110W
Velocidades de la Hélice	4 Velocidades	4 Velocidades	4 Velocidades
Demostración	Digital	Digital	Digital
Tipo de Control	Auto/Manual	Auto/Manual	Auto/Manual
Mando a distancia	No	Sí	Sí
Sensor de Calidad de Aire	Sí	Sí	Sí
Sensor de Luz	Sí	Sí	Sí
Certificado por la AHAM	Sí	Sí	Sí
Publicado en la UL	Sí	Sí	Sí
Prefiltro Tratado de Carbono Sanitized™	Sí	Sí	Sí
Calificado para Energy Star	Sí	Sí	Sí
Comprobar Indicador de Filtro	Sí	Sí	Sí
Configuración Limpiador			
- Prefiltro de Carbono	Sí	Sí	Sí
- Filtro True HEPA	Sí	Sí	Sí
- PlasmaWave™	Sí	Sí	Sí
CADR	Humo/Polvo/Polen	Humo/Polvo/Polen	Humo/Polvo/Polen
	98/98/103	197/197/214	291/298/343
Tamaño de la Unidad (pulgadas, Largo x Ancho x Alto)	8.27 x 18.50 x 13.78	8.66 x 21.65 x 16.30	10.24 x 25.59 x 17.32
Peso de la Unidad (en libras)	11.15	13.95	19.40

SISTEMA DE FILTRO DE AIRE

Procedimiento de Configuración

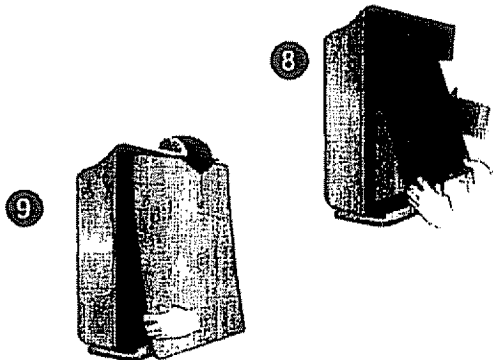
1. Extraiga la película protectora del panel de instrumentos.
2. Extraiga el panel delantero tirando suavemente de la parte inferior del panel. No lo fuerce; el panel debería poder salir fácilmente.
3. Extraiga el marco de plástico de la unidad.
4. Extraiga el Filtro True HEPA y la envoltura de plástico del filtro.
5. Instale el Filtro True HEPA con la flecha que indica el "flujo de aire" apuntando a la parte posterior del limpiador de aire; las pestañas blancas apuntando hacia arriba y el fondo del filtro de HEPA apuntando hacia el frente de la unidad.
6. Abra la bolsa de plástico resellable que contiene los Prefiltros de Carbono y extraiga un filtro. Reselle la bolsa de plástico para mantener la frescura del filtro.
7. Instale el Prefiltro de Carbono en el marco de plástico empujándolo contra seis cuadrados de "gancho y lazo" en el dorso del marco. (Diag. 7A)
8. Instale el marco plástico insertando las pestañas hacia arriba en el limpiador de aire y empuje suavemente en la pestaña de fondo hasta que el marco quepa en el lugar cómodamente.
9. Sustituya el panel delantero enganchando el panel a la parte superior de la unidad. Vuelva a colocar el panel en empujando suavemente a cada lado de la unidad y luego bloquéelo fijamente.
10. Enchufe el cable de corriente a una toma de pared.
11. Presione y mantenga el botón de POWER hasta que suene un "bip" brevemente.
12. El limpiador de aire tardará de 3 a 4 minutos en calibrar el sensor de Air Quality (calidad de aire). Durante este tiempo, las luces de sensor destellarán de forma intermitente. Una vez calibrado el sensor, las luces dejarán de destellar y la unidad se iniciará en modo AUTO.



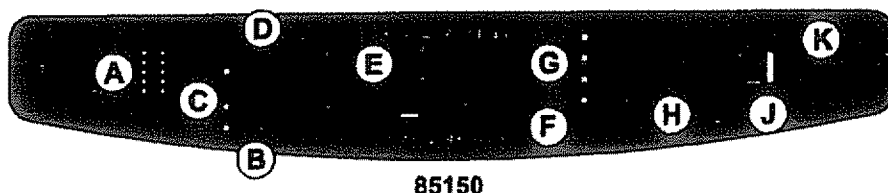
ESPAÑOL

Nota: Para mejores resultados y para maximizar el flujo de aire:

- Coloque la unidad al menos a 2 pies de distancia de la pared.
- Coloque la unidad lejos de áreas llenas de corrientes de aire, ya que los sensores podrían no reaccionar con exactitud.
- No la coloque cerca de cortinas, mobiliario u otros artículos que puedan inhibir el flujo de aire.
- Coloque la unidad sobre una superficie estable.



PANEL DE INSTRUMENTOS



85150



85300/85450

- A. SENSOR DE CALIDAD DE AIRE:** Supervisa de manera automática el nivel de calidad del aire y ajusta la velocidad de hélice en consecuencia.
- B. INDICADOR DE CHECK FILTER (COMPROBAR FILTRO):** El indicador señalará cuándo hay que sustituir el Filtro True HEPA.
- C. RESET FILTER (RESETEO DE FILTRO):** Reinicializa la luz de indicadora de CHECK FILTER.
- D. AUTO:** Cambia la velocidad de hélice a modo AUTO.
- E. INDICADOR DE PLASMA:** Muestra la actividad PLASMA. (Consultar *Página 2 para la tecnología PlasmaWave™*)
- F. INDICADOR DEL NIVEL DE CALIDAD DE AIRE:** Muestra la calidad actual del aire.
- G. INDICADOR DE VELOCIDAD DE HÉLICE:** Muestra el ajuste de velocidad de hélice actual.
- H. VELOCIDAD DE HÉLICE:** Una vez que la máquina esté conectada y en modo AUTO, cambie a operación manual presionando el botón de FAN SPEED (VELOCIDAD DE HÉLICE) de la unidad.
- J. BOTÓN DE POWER:** Enciende y apaga la unidad.
- K. SENSOR DE LUZ:** Estando en modo AUTO, éste mantiene las luces de panel de instrumentos con carácter débil y no permite que la hélice aumente por encima de la velocidad QUIET (TRANQUILA) cuando la sala esté oscura.

OPERACIÓN

OPERACIÓN AUTOMÁTICA: Estando en modo AUTO, el limpiador de aire detectará automáticamente la cantidad de impurezas del aire y ajustará la velocidad de hélice en consecuencia. Cuando la unidad se encienda por vez primera, ésta pasará por defecto al modo AUTO.

OPERACIÓN MANUAL (Ajuste de la velocidad de hélice): Una vez que la unidad esté conectada, cambie a la operación manual apretando los botones de flechas de UP y DOWN en el mando a distancia o el botón de FAN SPEED (VELOCIDAD DE HÉLICE). Una vez en operación manual, la velocidad de hélice no se adaptará automáticamente a la calidad de aire.

• **QUIET (TRANQUILO), MEDIUM (MEDIO), HIGH (ALTO):** Estos niveles son recomendados un uso normal durante el día. HIGH se activará automáticamente cuando los sensores detecten niveles altos de impurezas en el aire. QUIET, el ajuste más bajo, es el modo de ahorro de energía.

• **TURBO:** El nivel de TURBO, la velocidad de hélice más alta, puede ser activado a mano para una máxima circulación de aire. El nivel de TURBO no activará automáticamente.

SENSOR DE CALIDAD DE AIRE: El sensor de calidad de aire muestra cinco niveles de impurezas en el aire. Si la unidad es puesta a la operación automática, el sensor de calidad de aire ajustará las velocidades de hélice según la calidad de aire; la velocidad de hélice se disminuirá cuando la calidad de aire mejore. El sensor de AIR QUALITY (CALIDAD DE AIRE) responde a humo de cigarrillos y olores de mascotas, así como otros contaminantes, como insecticidas, cosméticos, y aerosoles o alcohol. El indicador de AIR QUALITY LEVEL (NIVEL DE CALIDAD DEL AIRE) muestra tres colores: azul, de naranja, y rojo. La luz azul indica aire limpio, la luz de naranja indica aire sucio, y la luz roja indica aire muy sucio. Si la unidad es puesta en operación automática, esto cambiará las velocidades de hélice para compensar los niveles diferentes de contaminación de aire.

Nota: Este equipo ha sido probado y aprobado por cumplir con los límites de un aparato digital de Clase B, de acuerdo a 15 de las reglas de FCC. Estos límites son diseñados para proporcionar una protección razonable contra interferencias dañinas en una instalación residencial. Este equipo genera, usa, y puede

irradiar energía de radiofrecuencia y, si no se instala ni se usa de acuerdo a las instrucciones, puede causar interferencias dañinas a las comunicaciones por radio. Sin embargo, no hay ninguna garantía de que no vayan a ocurrir interferencias en una instalación en particular. Si este equipo causa realmente interferencias dañinas a la emisión de radio o a la recepción de televisión, lo cual puede ser determinado apagando y encendiendo el equipo, el usuario debe tratar de corregir la Interferencia por medio de uno o varios de los siguientes:

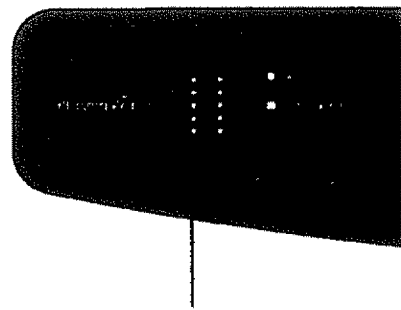
- Reorienta o trasladar la antena de recepción.
- Aumentar la distancia entre el equipo y el limpiador de aire.
- Conectar el limpiador de aire a una toma de un circuito diferente de aquel al cual el equipo esté conectado.
- Consultar con personal cualificado de televisión / de radio.

— CUIDADO Y MANTENIMIENTO —

PRECAUCIÓN: Apague el limpiador de aire y desenchufe el cable eléctrico antes de realizar cualquier mantenimiento.

Limpeza

- Limpie la unidad según sea necesario con un paño de tela seco y suave; para manchas difíciles, use un paño caliente y húmedo.
- No use fluidos volátiles como benceno, disolvente de pintura, o polvo de fregado, ya que podrían dañar la superficie.
- Mantenga la unidad seca.
- Aspire el polvo del sensor de CALIDAD DE AIRE cada tres meses.



SENSOR DE CALIDAD DE AIRE

REEMPLAZO DEL FILTRO

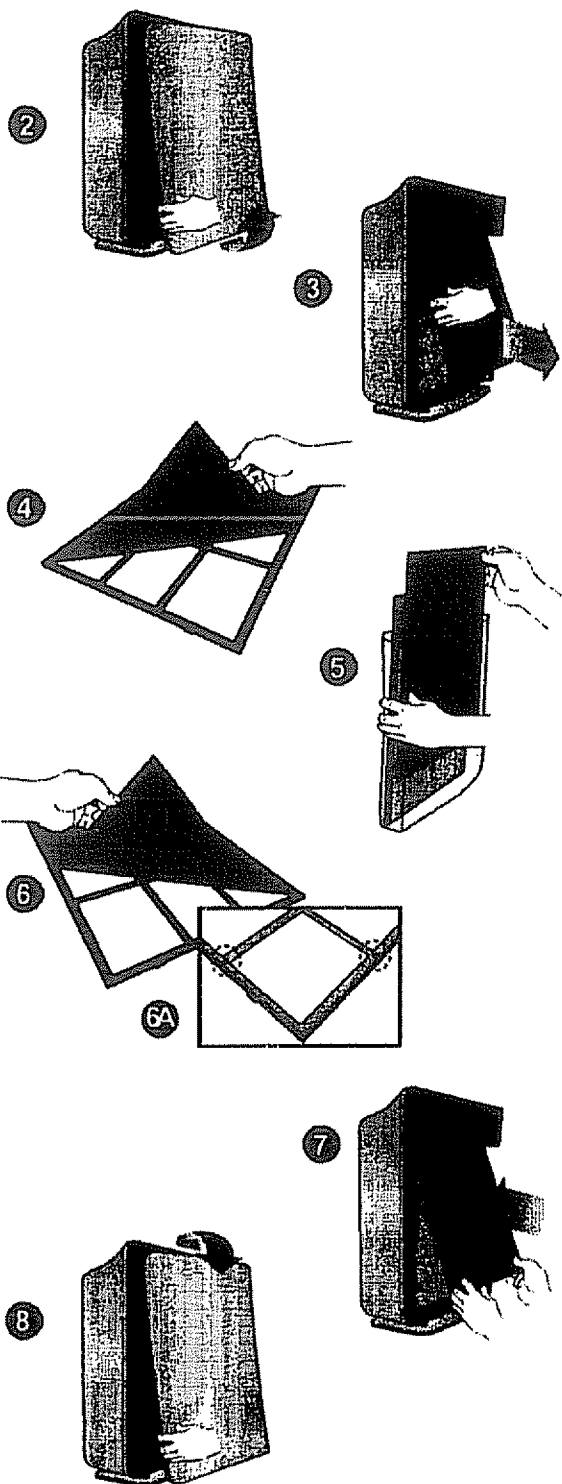
Reemplazo del Filtro

- Hay dos filtros distintos: Filtro True HEPA y Prefiltro de Carbono.
- El indicador de CHECK FILTER señalará cuándo hay que sustituir el Filtro True HEPA. El período de reemplazo variará según las horas de uso, calidad de aire, y posición de la unidad. Sin embargo, en la mayor parte de casos de uso normal, el filtro tendrá que ser sustituido anualmente.
- Cambie el Filtro True HEPA cuando el indicador de CHECK FILTER esté conectado.
- Para un rendimiento eficaz, cambie el Prefiltro de Carbono cada tres meses. Este filtro debe desecharse al ser cambiado.

PRECAUCIÓN: No lavar ni reutilizar su Filtro True HEPA ni su Prefiltro de Carbono, ya que no funcionará de manera eficaz.

Reemplazo de Prefiltro de Carbono

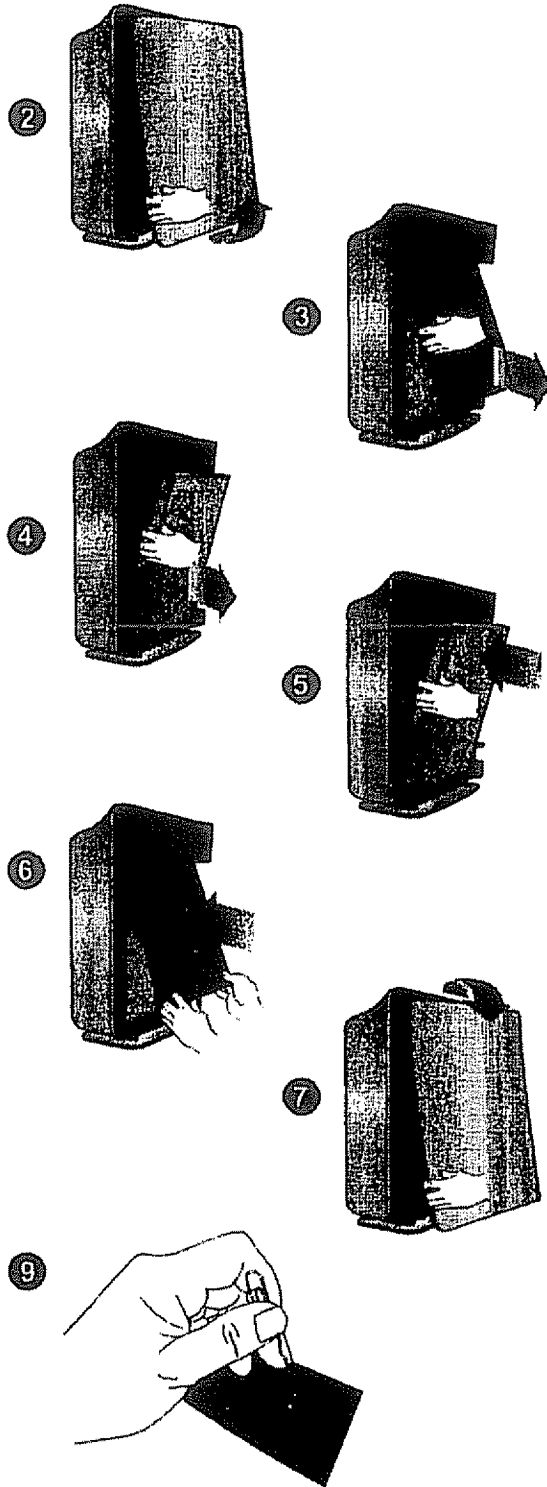
1. Apague el limpiador de aire y desenchufe el cable eléctrico.
2. Extraiga el panel delantero tirando suavemente de la parte inferior del panel. No lo fuerce, el panel debe salir fácilmente.
3. Extraiga el Prefiltro de Carbono y el marco de plástico tirando suavemente del fondo y hacia abajo desde arriba.
4. Extraiga el Prefiltro de Carbono del marco plástico y elimínelo.
5. Saque Prefiltro de Carbono de la bolsa de plástico resellable y resélela para mantener la frescura del filtro restante.
6. Instale el Prefiltro de Carbono en el marco plástico empujando hacia los cuadrados de "gancho y lazo" al dorso del marco. (Diag. 6A)
7. Instale el marco plástico insertando las pestañas hacia arriba en el limpiador de aire y empuje suavemente en la pestaña de fondo hasta que el marco quepa en el lugar como damente.
8. Sustituya el panel delantero enganchando el panel a la parte superior de la unidad. Vuelva a colocar el panel en empujando suavemente a cada lado de la unidad y luego bloquéelo fijamente.
9. Enchufe el limpiador de aire y presione el botón de POWER hasta que se escuche breves sonidos de "bip".



Reemplazo de Filtro True HEPA

1. Apague el limpiador de aire y desenchufe el cable eléctrico.
2. Extraiga el panel delantero tirando suavemente de la parte inferior del panel. No lo fuerce; el panel debe salir fácilmente.
3. Extraiga el Prefiltro de Carbono y el marco de plástico tirando suavemente del fondo y hacia abajo desde arriba.
4. Extraiga el Filtro True HEPA y elimínelo.
5. Extraiga la envoltura de plástico de su nuevo Filtro True HEPA e insértelo con la flecha apuntando hacia "air flow", apuntando hacia la parte posterior del limpiador de aire. Las pestañas blancas por encima y por debajo del Filtro True HEPA apuntarán hacia la parte frontal de la unidad.
6. Instale de nuevo el marco plástico y el Prefiltro de Carbono insertando las pestañas hacia arriba en el limpiador de aire y empujando suavemente hacia adentro en la pestaña de fondo hasta que el marco quepa en el lugar cómodamente.
7. Sustituya el panel delantero enganchando el panel a la parte superior de la unidad. Vuelva a colocar el panel en empujando suavemente a cada lado de la unidad y luego bloquéelo fijamente.
8. Enchufe el limpiador de aire y presione el botón de POWER hasta que se escuche breves sonidos de "bip".
9. Presione el botón de RESET FILTER (RESETEO DE FILTRO) insertando suavemente clip en el agujero de RESET FILTER del panel de instrumentos. La luz parpadeará 5 veces hasta que suene un "bip" que indicará que el filtro habrá sido reseteado. Ver la figura C de la Página 8 ó el Diag. 9 a la derecha.

El limpiador de aire tardará de 3 a 4 minutos en calibrar el sensor de AIR QUALITY (calidad de aire). Durante este tiempo, las luces de sensor destellarán de forma intermitente. Una vez calibrado el sensor, las luces dejarán de destellar y la unidad se iniciará en modo AUTO.

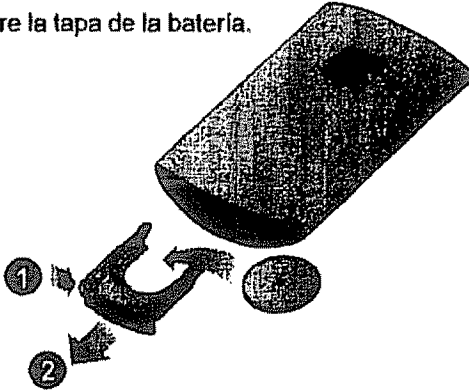


ESPAÑOL

MANDO A DISTANCIA (S5450/85300 sólo)

PREPARACIÓN

1. Apriete la pestaña de la cubierta de la batería.
2. Al mismo tiempo, retire la tapa del remoto.
3. Inserte la batería como se muestra.
4. Cierre la tapa de la batería.



ABRAZADERA: El mando a distancia tiene una abrazadera independiente de almacenaje/instalación que puede instalarse cómodamente en cualquier pared usando un tornillo.



USO DE LA BATERÍA

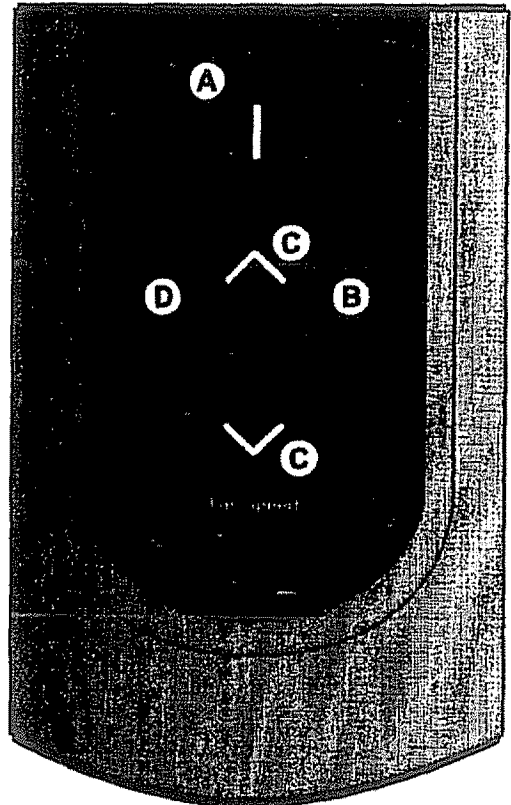
- Inserte una batería de litio de 3V CR2025 en el mando a distancia.
- El uso incorrecto de la batería podría causar un derrame de fluido de batería y/o daño a la misma.
- Cuando no vaya a usar el mando a distancia durante un período amplio de tiempo, extraiga la batería.
- Evite dejar caer o dañar el mando a distancia. Mantenga el mando a distancia lejos de la luz del sol directa o de calentadores.

CONDICIONES DE FUNCIONAMIENTO APROPIADAS

- Use el mando a distancia apuntando hacia el limpiador de aire.
- Usar en un radio de 20 pies alrededor del limpiador de aire.

CONDICIONES DE FUNCIONAMIENTO IMPROPIAS

- Cualquier lugar donde haya un equipo inversor de luz o un equipo de iluminación espontánea electrónica.
- Cuando haya objetos o mobiliario entre el remoto y el limpiador de aire.
- Cuando la unidad de limpiador de aire se encuentre en contacto con la luz del sol directa, ya que la luz del sol podría interferir con el sensor infrarrojo.
- En áreas donde la iluminación de neón parpadea debido a bombillas desgastadas.



- A. POWER:** Use el botón de corriente para encender y apagar la corriente. Un breve "bip" sonará cuando la unidad se encienda o se apague.
- B. AUTO:** Estando en modo AUTO, el limpiador de aire detectará automáticamente la cantidad de impurezas en el aire y ajustará la velocidad de hélice en consecuencia. Cuando la unidad se encienda por vez primera, la unidad pasará por defecto al modo AUTO.
- C. VELOCIDAD DE HÉLICE**
 - **UP (ARRIBA):** Use este botón para cambiar la operación automática y aumentar la velocidad de la hélice.
 - **DOWN (ABAJO):** Use este botón para cambiar la operación automática y disminuir la velocidad de hélice.
- D. TURBO:** Use este botón para cambiar la operación automática y comenzar a abarcar la cantidad máxima de limpieza y movimiento de aire de la sala.

SOLUCIÓN DE PROBLEMAS

Antes de Que Usted Llame

Soluciones para Problemas Comunes

Antes de que usted llame a un servicio de reparación de averías, revíse la lista de abajo. Esta lista cubre problemas que no son resultado de materiales defectuosos ni mano de obra defectuosa.

EVENTO	POSIBLE CAUSA/SOLUCIÓN
El mando a distancia no funciona.	<ul style="list-style-type: none"> • Asegúrese de que la batería del mando a distancia está insertada correctamente. • Sustituya una batería agotada. • Asegúrese de que el mando a distancia tenga una línea clara de visión hacia el limpiador de aire.
La unidad ha parado de quitar olores con eficacia, o parece emitir un olor.	<ul style="list-style-type: none"> • Asegúrese que el sensor de AIR QUALITY no se encuentre bloqueado ni obstruido. • Acerque la unidad a los olores ofensivos. • Sustituya los filtros, ya que puede que hayan alcanzado su capacidad para absorber agentes contaminantes. Puede que usted puede tenga que sustituir sus filtros con más frecuencia.
El indicador de AIR QUALITY LEVEL es naranja o rojo, pero el aire parece limpio.	Despeje el sensor de AIR QUALITY con una aspiradora ya que puede llegar a bloquearse u obstruirse.
La unidad interfiere con la emisión de radio o la recepción de televisión.	<p>Ya que esta unidad irradia energía de radiofrecuencia, pruebe con una o varias de las sugerencias siguientes:</p> <ul style="list-style-type: none"> • Reorienta o traslada la antena de recepción. • Aumentar la distancia entre el equipo y el limpiador de aire. • Conectar el limpiador de aire a una toma de un circuito diferente de aquel al cual el equipo esté conectado. • Consulte a un técnico de televisión/radio cualificado.
El indicador de CHECK FILTER permanece encendido después de sustituir el Filtro True HEPA.	Presione el botón con RESET FILTER insertando suavemente clip de papel en el agujero del botón de RESET FILTER. Manténgalo pulsado de 3 a 5 segundos hasta que suene un "bip" indicador de que la unidad fue reseteada.

ESPAÑOL

¿Necesita ayuda en su casa o en el hogar?

Su casa

Para consejo se solución de expertos y soluciones caseras:

manage my home

www.managemyhome.com

Para la reparación – en su casa – de todo electrodoméstico de las principales marcas, de aparatos de césped y jardinería, o de sistemas de calefacción y de refrigeración, ¡sin importar quién los fabricó, ni quién los vendió!

Para repuestos, accesorios y manuales de uso que usted necesita para arreglar la avería por su cuenta.

Para la instalación profesional por parte de Sears de electrodomésticos de casa y de artículos como abridores de puertas de garaje y calentadores de agua.

1-800-4-MY-HOME^{AE} Llame en cualquier momento, de día o de noche (USA y Canadá)
(1-800-469-4663) www.sears.com www.sears.ca

Nuestra Casa

Para la reparación de artículos portátiles como aspiradoras, equipos de césped, y artículos electrónicos, llame en cualquier momento para saber acerca del sitio más cercano de Sears Parts & Repair Service Center

1-800-488-1222 (U.S.A.) www.sears.com **1-800-469-4663 (Canada)** www.sears.ca

Para comprar un acuerdo de protección para un producto a ser inspeccionado por Sears:

1-800-827-6655 (U.S.A.) **1-800-361-6665 (Canada)**

Para pedir servicio de reparación a domicilio, y para ordenar piezas:

1-888-SU-HOGAR^{AE}
(1-888-784-6427)

Au Canada pour service en français:

1-800-LE-FOYER^{MC}
(1-800-533-6937)
www.sears.ca

Sears

© Sears Brands, LLC

^{AE}Registered Trademark / TM Trademark / SM Service Mark of Sears Brands, LLC

^{AE}Marca Registrada / TM Marca de Fábrica / SM Marca de Servicio de Sears Brands, LLC

^{MC} Marque de commerce / ^{MD} Marque déposée de Sears Brands, LLC