



# BOTTOM MOUNT REFRIGERATOR - FREEZER

## *Models:*

- |           |           |
|-----------|-----------|
| FFBF123B  | FFBF121W  |
| LBF12B    | LBF12W    |
| SBF125B   | SBF125W   |
| FFBF124SS | FFBF122PL |
| LBF12SS   | LBF12PL   |
| SBF125SS  | SBF126PL  |

## *User Manual*

BEFORE USE, PLEASE READ AND FOLLOW ALL SAFETY RULES AND OPERATING INSTRUCTIONS.

Write Model and Serial Numbers here:

Model \_\_\_\_\_

Serial No. \_\_\_\_\_

: Y]l `GrcfW ž-bW  
 5 b'GC' - \$\$%&\$%) 'fY[ jghfYX'Wta dUbm  
 ++\$; Uff]gcb'5 j Y  
 6 fcbl žBYk 'Mcf\_'%\$( +'`  
 k k k 'gi a a ]Hudd'jUbVW'Vta `

## Thank you for choosing this product.

This user manual contains important information on safety and instructions intended to assist you in the operation and maintenance of your appliance.






Please take the time to read this user manual before using your appliance and keep this book for future reference.

**This product uses eco-friendly hydrocarbon refrigerant and fully complies with California CARB regulations.**

However, we are required by California Law to provide the following disclosure statement in every product sold in California.

*"This equipment is prohibited from use in California with any refrigerants on the 'List of Prohibited Substances' for that specific end-use, in accordance with California Code of Regulations, title 17, section 95374. This disclosure statement has been reviewed and approved by Felix Storch, Inc. and Felix Storch, Inc. attests, under penalty of perjury, that these statements are true and accurate."*

This product does **not** use any refrigerants on the 'List of Prohibited Substances'"

Icon	Type	Meaning
	<b>WARNING</b>	Serious injury or death risk
	<b>RISK OF ELECTRIC SHOCK</b>	Dangerous voltage risk
	<b>FIRE</b>	Warning; Risk of fire / flammable materials
	<b>CAUTION</b>	Injury or property damage risk
	<b>IMPORTANT</b>	Operating the system correctly

# CONTENTS

<b>1 SAFETY INSTRUCTIONS</b> .....	<b>1</b>
1.1 General Safety Warnings .....	1
1.2 Installation Warnings .....	6
1.3 During Usage.....	6
<b>2 DESCRIPTION OF THE APPLIANCE</b> .....	<b>7</b>
<b>3 USING THE APPLIANCE</b> .....	<b>8</b>
3.1 Information about New Generation Cooling Technology .....	8
3.2 Display and Control Panel .....	8
3.3 Operating your Fridge Freezer .....	8
3.3.1 Freezer Temperature Settings .....	8
3.3.2 Refrigerator Temperature Settings .....	9
3.3.3 Super Freeze Mode.....	9
3.3.4 Door Open Alarm Function .....	9
3.4 Temperature Settings Warnings .....	10
3.5 Accessories .....	10
3.5.1 Ice Tray (In some models) .....	10
3.5.2 The Freezer Box.....	10
3.5.3 The Chiller Drawer (In some models) .....	11
3.5.4 The Fresh Dial (In some models) .....	11
3.5.5 Adjustable Door Shelf (In some models) .....	12
3.5.6 Adjustable Glass Shelf (In some models).....	12
3.5.7 Natural Ion Tech (In some models).....	12
<b>4 FOOD STORAGE</b> .....	<b>13</b>
4.1 Refrigerator Compartment.....	13
4.2 Freezer Compartment .....	14
<b>5 CLEANING AND MAINTENANCE</b> .....	<b>16</b>
5.1 Defrosting .....	17
<b>6 SHIPMENT AND REPOSITIONING</b> .....	<b>17</b>
6.1 Transportation and Changing Positioning .....	17
6.2 Reversing the Door Swing.....	17
6.3 Instructions for Reversing the Door Swing.....	18
<b>7 TIPS FOR SAVING ENERGY</b> .....	<b>27</b>
<b>8 ERROR CODE</b> .....	<b>28</b>
<b>9 GENERAL TROUBLESHOOTING</b> .....	<b>30</b>
<b>LIMITED WARRANTY</b> .....	<b>31</b>

# 1 SAFETY INSTRUCTIONS

## 1.1 General Safety Warnings

**Read this user manual carefully.**

**⚠ WARNING:** Keep ventilation openings, in the appliance enclosure or in the built-in structure, clear of obstruction.

**⚠ WARNING:** Do not use mechanical devices or other means to accelerate the defrosting process, other than those recommended by the manufacturer.

**⚠ WARNING:** Do not use electrical appliances inside the food storage compartments of the appliance, unless they are of the type recommended by the manufacturer.

**⚠ WARNING:** Do not damage the refrigerant circuit.

**⚠ WARNING:** When positioning the appliance, ensure the supply cord is not trapped or damaged.

**⚠ WARNING:** Do not locate multiple portable socket-outlets or portable power supplies at the rear of the appliance.

**⚠ WARNING:** In order to avoid any hazards resulting from the instability of the appliance, it must be fixed in accordance with the instructions.

**⚠** If your appliance uses R600a as a refrigerant (this information will be provided on the label of the cooler) you should take care during transportation and installation to prevent the cooler elements from being damaged. R600a is an environmentally friendly and

natural gas, but it is explosive. In the event of a leak due to damage of the cooler elements, move your fridge away from open flames or heat sources and ventilate the room where the appliance is located for a few minutes.

- While carrying and positioning the fridge, do not damage the cooler gas circuit.
- Do not store explosive substances such as aerosol cans with a flammable propellant in this appliance.
- This appliance is intended to be used in household and domestic applications such as:
  - staff kitchen areas in shops, offices and other working environments.
  - farm houses and by clients in hotels, motels and other residential type environments.
  - bed and breakfast type environments;
  - catering and similar non-retail applications.
- If the socket does not match the refrigerator plug, it must be replaced by the manufacturer, a service agent or similarly qualified persons in order to avoid a hazard.
- A specially grounded plug has been connected to the power cable of your refrigerator. This plug should be used with a specially grounded socket of 10 amperes. If there is no such socket in your house, please have one installed by an authorised electrician.

- This appliance can be used by children aged from 8 years and above and persons with reduced physical, sensory or mental capabilities or lack of experience and knowledge if they have been given supervision or instruction concerning use of the appliance in a safe way and understand the hazards involved. Children shall not play with the appliance. Cleaning and user maintenance shall not be made by children without supervision.
- Children aged from 3 to 8 years are allowed to load and unload refrigerating appliances. Children are not expected to perform cleaning or user maintenance of the appliance, very young children (0-3 years old) are not expected to use appliances, young children (3-8 years old) are not expected to use appliances safely unless continuous supervision is given, older children (8-14 years old) and vulnerable people can use appliances safely after they have been given appropriate supervision or instruction concerning use of the appliance. Very vulnerable people are not expected to use appliances safely unless continuous supervision is given.
- If the supply cord is damaged, it must be replaced by the manufacturer, an authorised service agent or similar qualified persons, in order to avoid a hazard.
- This appliance is not intended for use at altitudes exceeding 6500 ft.

- **WARNING:** The refrigeration system is under high pressure. Do not tamper with it. Contact qualified service personal before disposal.
- **CAUTION:** To Prevent A Child From Being Entrapped, Keep Out Of Reach Of Children And Not In The Vicinity Of Freezer Or Refrigerator.
- **WARNING:** Risk of child entrapment. Before you throw away your old refrigerator or freezer:
  - \* Take off the doors.
  - \* Leave the shelves in place so that children may not easily climb inside.
- This appliance is not intended for use by persons (including children) with reduced physical, sensory or mental capabilities, or lack of experience and knowledge, unless they have been given supervision or instruction concerning use of the appliance by a person responsible for their safety. Children should be supervised to ensure that they do not play with the appliance.

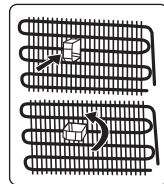
## **To prevent food contamination, please follow these instructions:**

- Keeping the door open for extended periods can significantly raise the temperature inside the appliance.
- Clean regularly surfaces that can come in contact with food and accessible drainage systems.
- Store raw meat and fish in suitable containers in the refrigerator to prevent them from coming into contact with or dripping onto other foods.
- Two-star frozen-food compartments are suitable for storing pre-frozen food, storing or making ice cream and making ice cubes.
- One-, two- and three-star compartments are not suitable for the freezing of fresh food.
- If the refrigerating appliance is left empty for long periods, switch off, defrost, clean, dry, and leave the door open to prevent mold growth.

## 1.2 Installation Warnings

Before using your fridge freezer for the first time, please consider the following points:

- The operating voltage for your fridge freezer is **115-127 V at 60Hz**.
- The plug must be accessible after installation.
- Your fridge freezer may emit an odor when first operated. This is normal, and the odor will fade as it cools.
- Before connecting your fridge freezer, ensure that the information on the data plate (voltage and connected load) matches the mains electricity supply. If in doubt, consult a qualified electrician.
- Insert the plug into a socket with an efficient ground connection. If the socket has no ground contact or the plug does not match, we recommend you consult a qualified electrician for assistance.
- The appliance must be connected with a properly installed fused socket. The power supply (AC) and voltage at the operating point must match with the details on the name plate of the appliance (the name plate is located on the inside left of the appliance).
- We do not accept responsibility for any damages that occur due to ungrounded usage.
- Place your fridge freezer where it will not be exposed to direct sunlight.
- Your fridge freezer must never be used outdoors or exposed to rain.
- Your appliance must be at least **20 inches** away from stoves, gas ovens and heater cores, and at least **2 inches** away from electrical ovens.
- If your fridge freezer is placed next to a deep freezer, there must be at least **1 inch** between them to prevent humidity forming on the outer surface.
- Do not cover the body or top of fridge freezer with lace. This will affect the performance of your fridge freezer.
- Clearance of at least 6 inches is required at the top of your appliance. Do not place anything on top of your appliance.
- Do not place heavy items on the appliance.
- Clean the appliance thoroughly before use (see Cleaning and Maintenance).
- Before using your fridge freezer, wipe all parts with a solution of warm water and a teaspoon of sodium bicarbonate. Then, rinse with clean water and dry. Return all parts to the fridge freezer after cleaning.
- Use the adjustable front legs to make sure your appliance is level and stable. You can adjust the legs by turning them in either direction. This must be done before placing food in the appliance.
- When the product is operating, the side panels may become noticeably warm. This is normal.
- Install the plastic distance guide(s) on the condenser (black vanes at the rear of the appliance) by turning it 90° (as shown in the figure) to prevent the condenser from touching the wall.
- The distance between the appliance and back wall must be a maximum of **3 inches**.



## 1.3 During Usage

- Do not connect your fridge freezer to the mains electricity supply using an extension lead.
- Do not use damaged, torn or old plugs.
- Do not pull, bend or damage the cord.
- Do not use plug adapter.
- This appliance is intended for adult use only. Do not allow children to play with the appliance or hang from the door.
- Never touch the power cord/plug with wet hands. This may cause a short circuit or electric shock.
- Do not place glass bottles or cans in the ice-making compartment, as they may burst when the contents freeze.
- Do not place explosive or flammable material in your fridge. Place drinks with high alcohol content vertically in the fridge compartment and make sure their tops are tightly closed.

• When removing ice from the ice-making compartment, do not touch it, as it may cause frostbite or cuts.

• Do not touch frozen goods with wet hands. Do not eat ice-cream or ice cubes immediately after they are removed from the ice-making compartment.

• Do not re-freeze thawed frozen food. This may cause health issues such as food poisoning.

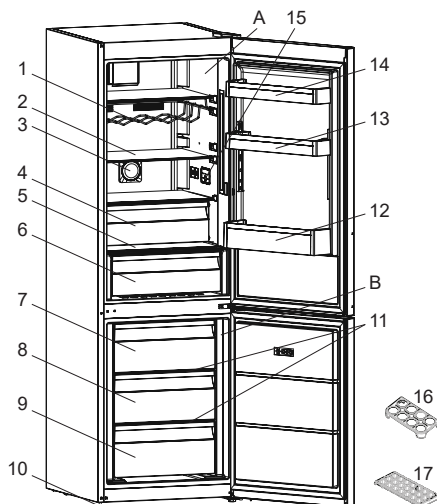
### Old and Out-of-Order Fridges


- If your old fridge or freezer has a lock, break or remove the lock before discarding it, because children may get trapped inside it and may cause an accident.
- Old fridges and freezers contain isolation material and refrigerant with CFC. Therefore, take care not to harm environment when you are discarding your old fridges.

### Notes:

- Please read the instruction manual carefully before installing and using your appliance. We are not responsible for the damage occurred due to misuse.
- Follow all instructions on your appliance and instruction manual, and keep this manual in a safe place to resolve the problems that may occur in the future.
- This appliance is produced to be used in homes and it can only be used in domestic environments and for the specified purposes. It is not suitable for commercial or common use. Such use will cause the guarantee of the appliance to be cancelled and our company will not be responsible for any losses incurred.
- This appliance is produced to be used in houses and it is only suitable for cooling / storing foods. It is not suitable for commercial or common use and/or for storing substances except for food. Our company is not responsible for any losses incurred by inappropriate usage of the appliance.

## 2 DESCRIPTION OF THE APPLIANCE



 This presentation is only for information about the parts of the appliance. Parts may vary according to the appliance model.

- A) Refrigerator compartment
- B) Freezer compartment
- 1) Wine rack \*
- 2) Refrigerator shelves
- 3) Ioniser \*
- 4) Chiller \*
- 5) Crisper cover
- 6) Crisper
- 7) Freezer upper basket
- 8) Freezer middle basket
- 9) Freezer bottom basket
- 10) Leveling feet
- 11) Freezer glass shelves \*
- 12) Bottle shelf
- 13) Adjustable door shelf \* / door shelf
- 14) Door shelf
- 15) Thermostat box / Interior display
- 16) Egg holder
- 17) Ice box tray

\* In some models

## 3 USING THE APPLIANCE

### 3.1 Information about New Generation Cooling Technology

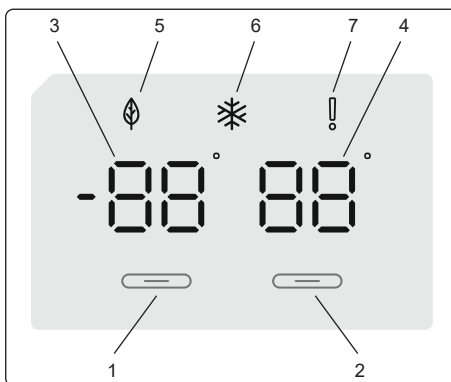
Fridges with new-generation cooling technology have a different operating system to static fridges. Other (static) fridges may experience a build up of ice in the freezer compartment due to door openings and humidity in the food. In such fridges, regular defrosting is required; the fridge must be switched off, the frozen food moved to a suitable container and the ice which has formed in the freezer compartment removed.

In fridges with new-generation cooling technology, a fan blows dry cold air evenly throughout the fridge and freezer compartments. The cold air cools your food evenly and uniformly, preventing humidity and ice build-up.

In the refrigerator compartment, air blown by the fan, located at the top of the refrigerator compartment, is cooled while passing through the gap behind the air duct. At the same time, the air is blown out through the holes in the air duct, evenly spreading cool air throughout the refrigerator compartment.

There is no air passage between the freezer and refrigerator compartments, therefore preventing the mixing of odors. As a result, your fridge, with new-generation cooling technology, provides you with ease of use as well as a huge volume and aesthetic appearance.

### 3.2 Display and Control Panel



#### Using the Control Panel

1. Enables the setting of the freezer.
2. Enables the setting of the refrigerator.
3. Freezer set value screen.
4. Refrigerator set value screen.
5. Economy mode symbol.
6. Super freeze symbol.
7. Alarm symbol.

### 3.3 Operating your Fridge Freezer

#### Lighting (If available)

When the product is plugged in for the first time, the interior lights may turn on 1 minute late due to opening tests.


Once you have plugged in the product, all symbols will be displayed for 2 seconds and the initial values will be shown as 0°F on the freezer adjustment indicator, and 39°F on the fridge adjustment indicator.

#### 3.3.1 Freezer Temperature Settings

- The initial temperature value for the freezer setting indicator is 0°F.
- Press the freezer set button once. When you first press the button, the previous value will blink on the screen.
- Whenever you press the same button, a lower temperature will be set (3°F, 0°F, -4°F, -8°F or -11°F).
- If you continue to press the button, it will restart from 3°F.

**NOTE:** Eco mode gets activated automatically when the temperature of the freezer compartment is set to 0°F.



 Super Freeze Mode will automatically cancel after 24 hours, depending on the environmental temperature or when the freezer sensor reaches a sufficiently low temperature.

### Recommended Settings for the Freezer and Refrigerator Compartment Temperature

Freezer Compartment	Refrigerator Compartment	Remarks
0°F	39°F	For regular use and best performance.
-4°F, -8°F or -11°F	39°F	Recommended when environmental temperature exceeds 86 °F.
Super Freeze mode	39°F	Must be used when you wish to freeze food in a short period of time.
0°F, -4°F, -8°F or -11°F	36°F	These temperature settings must be used when the environmental temperature is high or if you think the refrigerator compartment is not cool enough because the door is being opened frequently.


### 3.3.2 Refrigerator Temperature Settings

- The initial temperature value for the refrigerator setting indicator is 39°F.
- Press the cooler button once.
- Whenever you press the button, a lower temperature will be set (46°F, 43°F, 41°F, 39°F, or 36°F).
- If you continue to press the button, it will restart from 46°F.

### 3.3.3 Super Freeze Mode

- To freeze a large quantity of food that cannot fit on the fast freeze shelf.
- To freeze prepared foods.
- To freeze fresh food quickly to retain freshness.

#### How to Use

To enable the Super Freeze Mode, press and hold the freezer temperature setting button for 3 seconds.  Once the Super Freeze Mode has been set, the Super Freeze symbol on the indicator will be lit and the machine will beep to confirm the mode has been switched on.

#### During Super Freeze Mode:

- The temperature of the refrigerator may be adjusted. In this case, Super Freeze mode will continue.
- Economy mode cannot be selected.
- Super Freeze mode can be cancelled in the same way it is selected.

#### Notes:

- The maximum amount of fresh food (in kilograms) that can be frozen within 24 hours is shown on the appliance label.
- For optimal appliance performance in maximum freezer capacity, activate Super Freeze Mode 3 hours before you put fresh food into the freezer.

### 3.3.4 Door Open Alarm Function

If refrigerator door is opened more than 2 minutes the appliance will start to beep.

#### Changing Temperature Display from Fahrenheit to Celsius

To view temperature settings in Celsius, please follow these instructions:

- Set the refrigerator section temperature to **39°F** and wait for the blinking to stop.
- Press and hold the **Cooler Set** button for 10 seconds. The set values will then display in Celsius.

## Changing Temperature Display from Celsius to Fahrenheit

To view temperature settings in Fahrenheit, please follow these instructions:

- Set the refrigerator section temperature to **4°C** and wait until the blinking stops.
- Press and hold the **Cooler Set** button for 10 seconds. The set values will then display in Fahrenheit.

## 3.4 Temperature Settings Warnings

- Your appliance is designed to operate within the ambient temperature ranges specified by the climate class on the information label. Operating your fridge outside these temperature ranges may reduce cooling efficiency.
- Adjust the temperature based on the frequency of door openings, the amount of food stored inside, and the ambient temperature of the location.
- When the appliance is first turned on, allow it to run for 24 hours to reach the optimal operating temperature. During this period, do not open the door or place a large quantity of food inside.
- A 5-minute delay function is implemented to protect the compressor when connecting or disconnecting from the mains, or during a power interruption. The appliance will resume normal operation after this delay.

## Important Installation Instructions

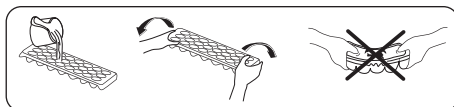
This appliance is designed to work in difficult climate conditions and is powered with 'Freezer Shield' technology which ensures that the frozen food in the freezer will not defrost even if the ambient temperature falls as low as 5°F. So you may then install your appliance in an unheated room without having to worry about frozen food in the freezer being spoil. When the ambient temperature returns to normal, you may continue using the appliance as usual.

## 3.5 Accessories

**Visual and text descriptions in the accessories section may vary according to the model of your appliance.**

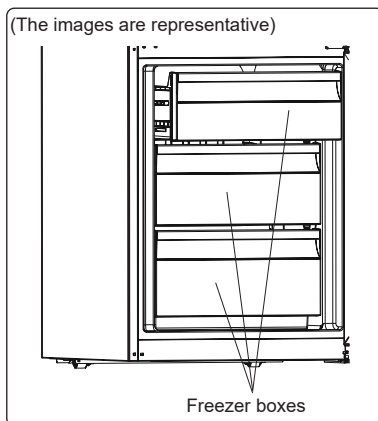
### 3.5.1 Ice Tray (In some models)

- Fill the ice tray with water and place in the freezer compartment.
- After the water has completely frozen, you can twist the tray as shown below to remove the ice cubes.

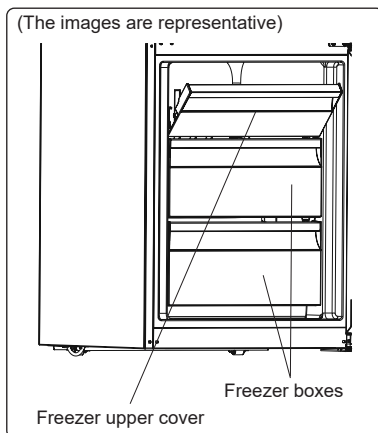


### 3.5.2 The Freezer Box

The freezer box allows food to be accessed more easily.





or



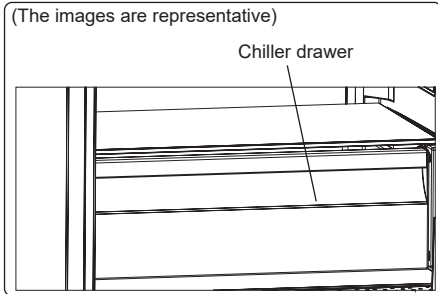
### Removing the Freezer Box:

- Pull the box out as far as possible
- Pull the front of the box up and out

 Carry out the opposite of this operation when refitting the sliding compartment.


 Always keep hold of the handle of the box while removing it.

### 3.5.3 The Chiller Drawer (In some models)

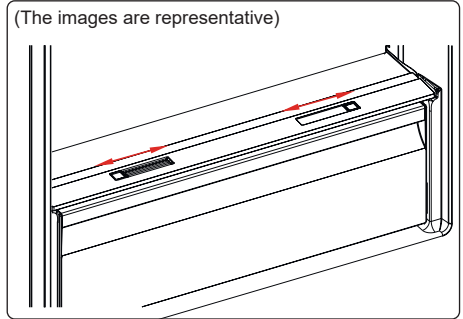


Storing food in the chiller drawer, rather than in the freezer or refrigerator compartments, helps maintain freshness and flavor while preserving its appearance. When the chiller drawer tray becomes dirty, remove it and wash it with water.

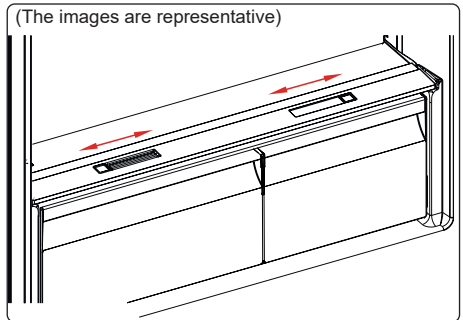
The chiller drawer is typically used for storing items such as raw fish, lightly pickled foods, rice, and similar items.

 **Do not put food you want to freeze or ice trays (to make ice) in the chiller drawer.**

### 3.5.4 The Fresh Dial (In some models)



or



If the crisper is full, open the fresh dial located at the front of the crisper. This allows for better control of air circulation and humidity levels, helping to extend the life of the food inside.

If you notice any condensation on the glass shelf, ensure that the dial located behind the shelf is also opened.

### 3.5.5 Adjustable Door Shelf

(In some models)

The adjustable door shelf offers six different height settings to create the storage areas you need.

To change the position of adjustable door shelf:

Hold the bottom of the shelf and pull the buttons on the side of the door shelf forward.

(Fig.1)

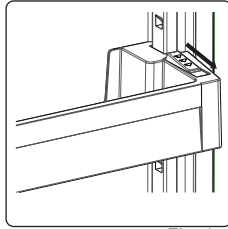


Fig. 1

Position door shelf the height you need by moving up and down. After you get the position that you want the door shelf, release the buttons on the side of the door shelf (Fig.2) Before releasing the door shelf, move up & down and make sure the door shelf is fixed.

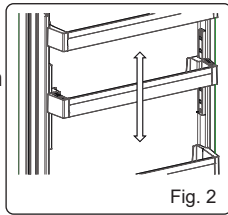


Fig. 2

**Note:** Before moving a loaded door shelf, be sure to support it from the bottom. Otherwise, the shelf could fall off the rails due to its weight, which may cause damage to both the shelf and the rails.

### 3.5.6 Adjustable Glass Shelf

(In some models)

The adjustable glass shelf mechanism allows for easy modification of storage height with a simple movement. To secure the glass shelf, simply push it into place.

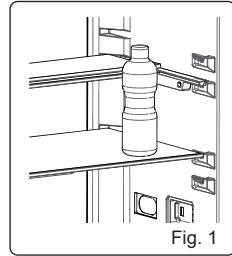


Fig. 1

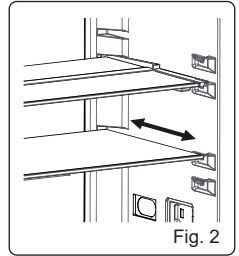


Fig. 2

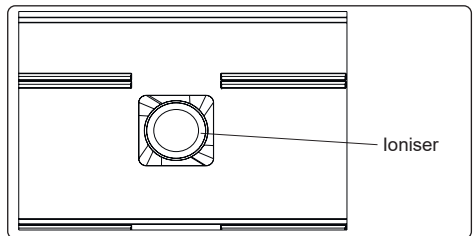
You can load your food as you want in the resulting extra space. To bring the shelf in its original position, pull it toward you.

### 3.5.7 Natural Ion Tech (In some models)

- This feature is optional. It may not exist on your product.
- The location of your ioniser device may vary from product to product.

Natural Ion Tech spreads negative ions which neutralize particles of unpleasant smell and dust in the air.

By removing these particles from the air in the refrigerator, Natural Ion Tech improves air quality and eliminates odors.



## 4 FOOD STORAGE

### 4.1 Refrigerator Compartment

For normal operating conditions, set the temperature of the refrigerator compartment to 39°F to +43°F.

- To reduce humidity and prevent frost formation, always store liquids in sealed containers in the refrigerator. Frost tends to accumulate in the coldest areas of the evaporator, which will require more frequent defrosting over time.
  - Cooked dishes should remain covered while stored in the fridge. Do not place warm foods in the refrigerator; allow them to cool first to avoid increasing the temperature and humidity, which can reduce the fridge's efficiency.
  - Ensure that no items are in direct contact with the rear wall of the appliance, as frost can develop and packaging may stick to it. Minimize frequent openings of the refrigerator door.
  - For optimal storage conditions, we recommend loosely wrapping meat and clean fish and placing them on the glass shelf just above the vegetable bin, where the air is cooler.
  - Store loose fruits and vegetable items in the crisper containers.
  - Keeping fruits and vegetables separate helps prevent ethylene-sensitive vegetables (such as leafy greens, broccoli, and carrots) from being affected by ethylene-releasing fruits (like bananas, peaches, and figs).
  - Do not put wet vegetables into the refrigerator.
  - The storage time for all food products depends on the initial quality of the food and the maintenance of an uninterrupted refrigeration cycle.
  - Water leaking from meat can contaminate other products in the refrigerator. Always package meat products properly and clean any spills on the shelves.
- Do not obstruct the air flow passage by placing food items in front of it.
  - Consume packaged foods before the recommended expiration date.
  - Do not allow food to come into contact with the temperature sensor, which is located in the refrigerator compartment, in order to keep the refrigerator compartment at optimum temperature.
  - For normal working conditions, it will be sufficient to adjust the temperature setting of your refrigerator to 39°F.
  - The ideal temperature for the refrigerator should range from 32°F to 46°F. Fresh foods stored below 32°F might freeze and spoil. When temperatures exceed 46°F, bacterial growth accelerates and will cause food to spoil.
  - Do not put hot food in the refrigerator immediately, wait for the temperature to decrease outside. Hot foods increase the temperature of your refrigerator and may cause food poisoning and unnecessary spoiling of the food.
  - Meat and fish should be stored in the refrigerator compartment, and the vegetables should go in the crisper (if available).
  - To prevent cross contamination, do not store meat products and fruit vegetables together.
  - Foods should be placed in the refrigerator in closed containers or covered to prevent moisture and odors.

The table below is a quick guide to show you the most efficient way to store the major food groups in your refrigerator compartment.

Food	Maximum storage time	How and where to store
<b>Vegetables and fruits</b>	1 week	Vegetable bin
<b>Meat and fish</b>	2 - 3 days	Wrap in plastic foil, bags, or in a meat container and store on the glass shelf
<b>Fresh cheese</b>	3 - 4 days	On the designated door shelf

Food	Maximum storage time	How and where to store
Butter and margarine	1 week	On the designated door shelf
Bottled products e.g. milk and yogurt	Until the expiry date recommended by the producer	On the designated door shelf
Eggs	1 month	On the designated egg shelf
Cooked food	2 days	All shelves

**NOTE:**



Potatoes, onions and garlic should not be stored in the refrigerator.

## 4.2 Freezer Compartment

For normal operating conditions, set the temperature of the freezer compartment to 0° to -4 °F.

- The freezer is used for storing frozen food, freezing fresh food, and making ice cubes.
- Food in liquid form should be frozen in plastic cups and other food should be frozen in plastic folios or bags. For freezing fresh food; wrap and seal fresh food properly, that is the packaging should be air tight and shouldn't leak. Special freezer bags, aluminum foil polythene bags and plastic containers are ideal.
- Do not store fresh food next to frozen food, as this can cause the frozen items to thaw.
- Before freezing fresh food, divide it into portions that can be consumed in one sitting.
- Consume thawed frozen food within a short period of time after defrosting
- Always follow the manufacturer's instructions on food packaging when storing frozen items. If no guidance is provided, do not store food for more than three months from the date of purchase.


- When purchasing frozen food, make sure that it has been stored under appropriate conditions and that the packaging is not damaged.
- Frozen food should be transported in appropriate containers and placed in the freezer as soon as possible.
- Do not purchase frozen food if the packaging shows abnormal swelling, as this may indicate it has been stored at an unsuitable temperature and the contents could be spoiled.
- The storage life of frozen food depends on room temperature, thermostat settings, how often the door is opened, the type of food, and the time taken to transport it from the store to your home. Always follow the instructions on the packaging and do not exceed the maximum storage time indicated.
- If the freezer door has been left open for a long time or not closed properly, frost will form and can prevent efficient air circulation. In this case, unplug the freezer and allow it to defrost completely. Clean the freezer once it has fully defrosted.
- The freezer volume stated on the label is the capacity without baskets, covers, or other accessories.
- Do not refreeze thawed food, as it may pose health risks, such as food poisoning.

**NOTE:** If you attempt to open the freezer door immediately after closing it, you will find that it will not open easily. This is normal. Once equilibrium has been reached, the door will open easily.



The table below is a quick guide to show you the most efficient way to store the major food groups in your freezer compartment.

Meat and fish	Preparation	Maximum storage time (months)
Steak	Wrap in foil	6 - 8
Lamb meat	Wrap in foil	6 - 8
Veal roast	Wrap in foil	6 - 8
Veal cubes	In small pieces	6 - 8
Lamb cubes	In pieces	4 - 8
Minced meat	In packaging without using spices	1 - 3
Giblets (pieces)	In pieces	1 - 3
Bologna sausage/salami	Should be kept packaged even if it has a membrane	1 - 3
Chicken and turkey	Wrap in foil	4 - 6
Goose and duck	Wrap in foil	4 - 6
Deer, rabbit, wild boar	In 5.5 lb portions or as fillets	6 - 8
Freshwater fish (Salmon, Carp, Crane, Catfish)	After cleaning the bowels and scales of the fish, wash and dry it. If necessary, remove the tail and head.	2
Lean fish (Bass, Turbot, Flounder)		4
Fatty fishes (Tuna, Mackerel, Bluefish, Anchovy)		2 - 4
Shellfish	Clean and in a bag	4 - 6
Caviar	In its packaging, or in an aluminium or plastic container	2 - 3
Snails	In salty water, or in an aluminium or plastic container	3

 **NOTE:** Thawed frozen meat should be cooked as fresh meat. If the meat is not cooked after defrosting, it must not be re-frozen.




Vegetables and Fruits	Preparation	Maximum storage time (months)
String beans and beans	Wash, cut into small pieces and boil in water	10 - 13
Beans	Hull, wash and boil in water	12
Cabbage	Clean and boil in water	6 - 8
Carrot	Clean, cut into slices and boil in water	12
Pepper	Cut the stem, cut into two pieces, remove the core and boil in water	8 - 10
Spinach	Wash and boil in water	6 - 9
Cauliflower	Remove the leaves, cut the heart into pieces and leave it in water with a little lemon juice for a while	10 - 12
Eggplant	Cut into pieces of 1 inch after washing	10 - 12
Corn	Clean and pack with its stem or as sweet corn	12
Apple and pear	Peel and slice	8 - 10
Apricot and Peach	Cut into two pieces and remove the stone	4 - 6

Vegetables and Fruits	Preparation	Maximum storage time (months)
Strawberry and Blackberry	Wash and hull	8 - 12
Cooked fruits	Add 10 % of sugar to the container	12
Plum, cherry, sourberry	Wash and hull the stems	8 - 12

	Maximum storage time (months)	Thawing time at room temperature (hours)	Thawing time in oven (minutes)
Bread	4 - 6	2 - 3	4-5 (428-437 °F)
Biscuits	3 - 6	1 - 1.5	5-8 (374-392 °F)
Pastry	1 - 3	2 - 3	5-10 (392-437 °F)
Pie	1 - 1.5	3 - 4	5-8 (374-392 °F)
Phyllo dough	2 - 3	1 - 1.5	5-8 (374-392 °F)
Pizza	2 - 3	2 - 4	15-20 (392 °F)

Dairy products	Preparation	Maximum storage time (months)	Storage conditions
Packet (Homogenized) Milk	In its own packet	2 - 3	Pure Milk – in its own packet
Cheese - excluding white cheese	In slices	6 - 8	Original packaging may be used for short-term storage. Keep wrapped in foil for longer periods.
Butter, margarine	In its packaging	6	-

## 5 CLEANING AND MAINTENANCE

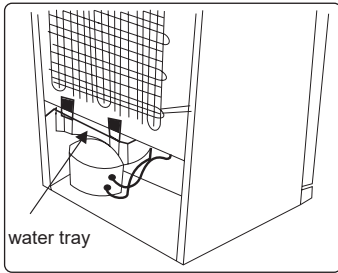
-  Disconnect the unit from the power supply before cleaning.
-  Do not wash your appliance by pouring water on it.
-  Do not use abrasive products, detergents or soaps for cleaning the appliance. After washing, rinse with clean water and dry carefully. When you have finished cleaning, reconnect the plug to the mains supply with dry hands.

- Make sure that no water enters the lamp housing and other electrical components.
- The appliance should be cleaned regularly using a solution of bicarbonate of soda and lukewarm water.
- Clean the accessories separately by hand with soap and water. Do not wash accessories in a dish washer.
- Clean the condenser with a brush at least twice a year. This will help you to save on energy costs and increase productivity.



**The power supply must be disconnected during cleaning.**

## 5.1 Defrosting



- Your appliance performs automatic defrosting. The water formed as a result of defrosting passes through the water collection spout, flows into the water tray behind your appliance and evaporates there.
- Make sure you have disconnected the plug of your appliance before cleaning the water tray.
- Remove the water tray from its position by removing the screws (if it has screws). Clean it with soapy water at specific time intervals. This will prevent odors from forming.

## Replacing LED Lighting

To replace any of the LEDs, please contact the nearest Authorized Service Center.



**Note:** The numbers and location of the LED strips may change according to the model.

## 6 SHIPMENT AND REPOSITIONING

### 6.1 Transportation and Changing Positioning

- The original packaging and foam may be kept for re-transportation (optional).
- Fasten your appliance with thick packaging, bands or strong cords and follow the instructions for transportation on the packaging.
- Remove all movable parts or fix them into the appliance against shocks using bands when re-positioning or transporting.



Always carry your appliance in the upright position.

### 6.2 Reversing the Door Swing

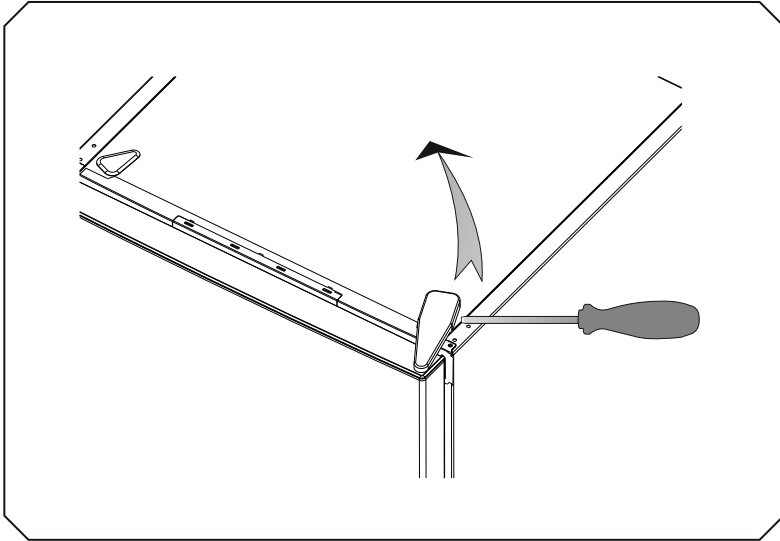
**Front Handles:** You cannot reverse the door if the handles are installed on the front of the appliance.

**Side Handles or No Handles:** You can reverse the door on models that have side handles or no handles at all.

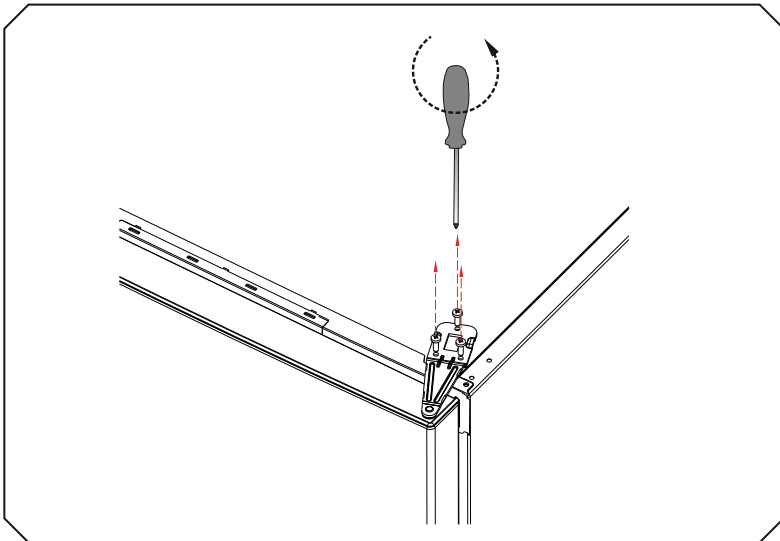
**Non-Reversible Doors:** If your appliance's door is not reversible, please contact the nearest Authorized Service Center for assistance.

## 6.3 Instructions for Reversing the Door Swing

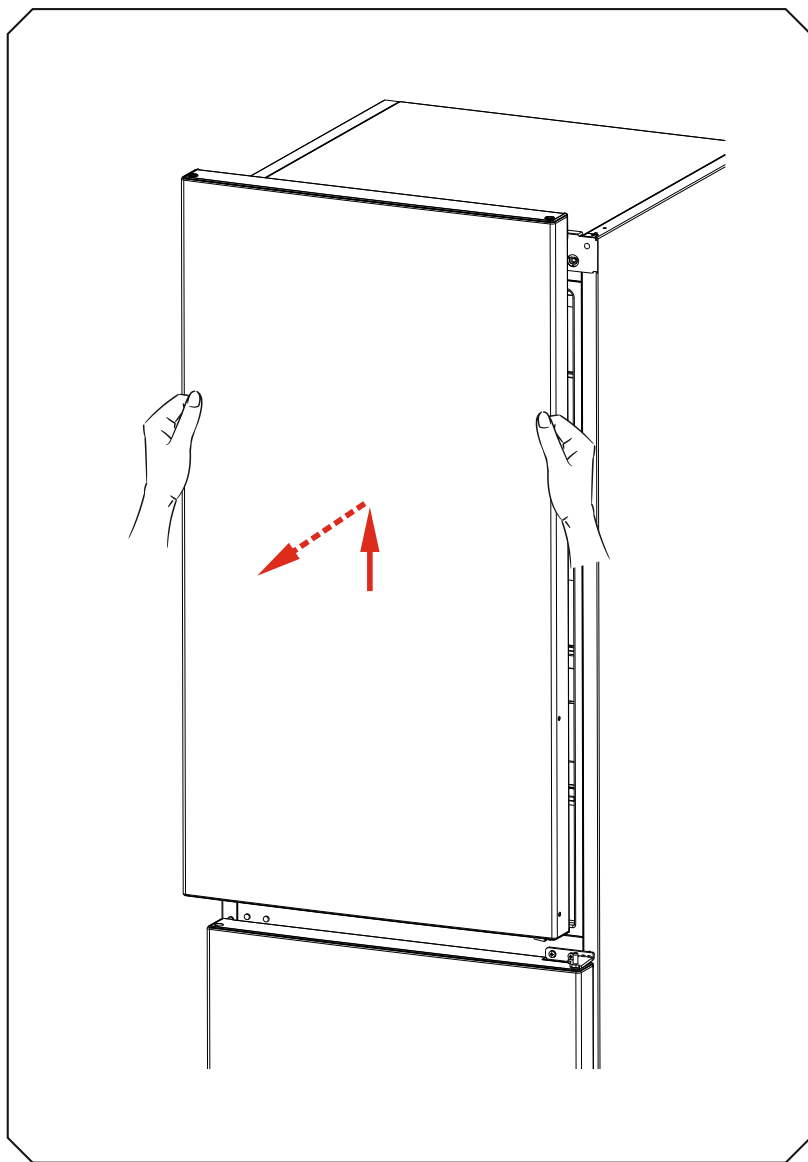
1. Remove the top hinge cover.



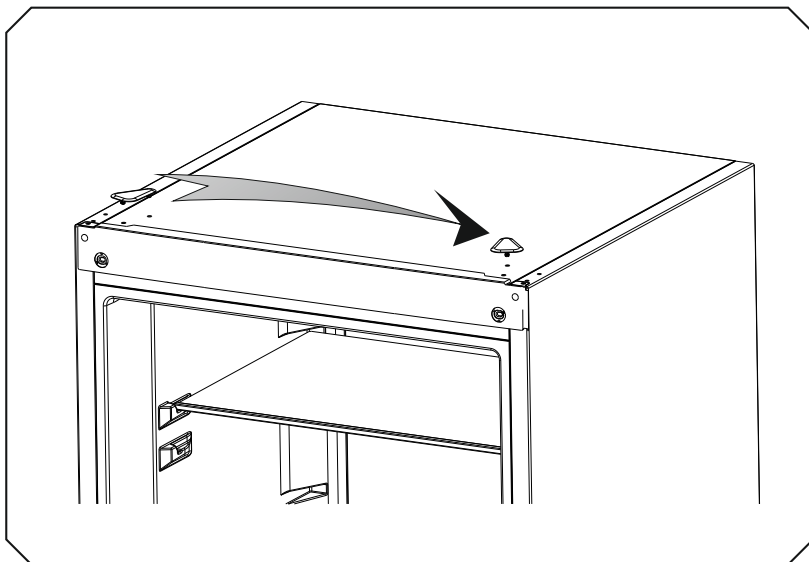
2. Unscrew the top hinge and set it aside.



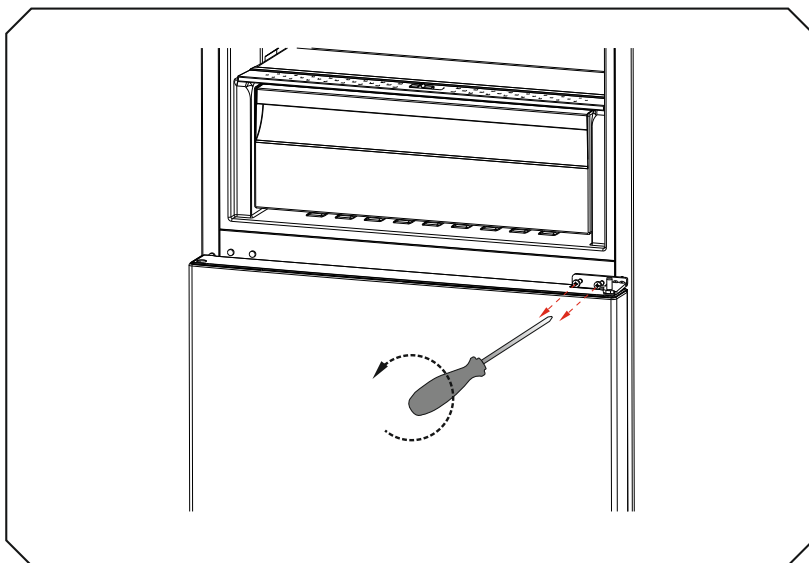
3. Lift the refrigerator door up and forward to detach it from the pin.



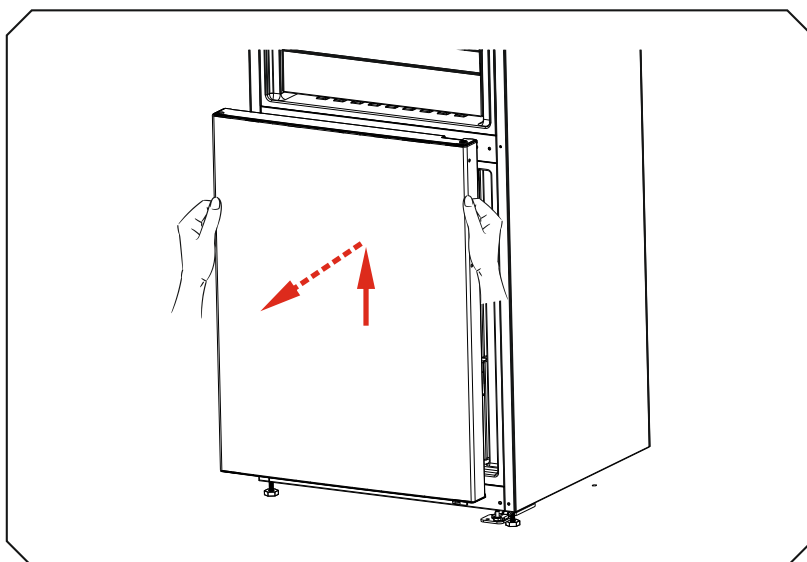
4. Reposition the top hinge cover.



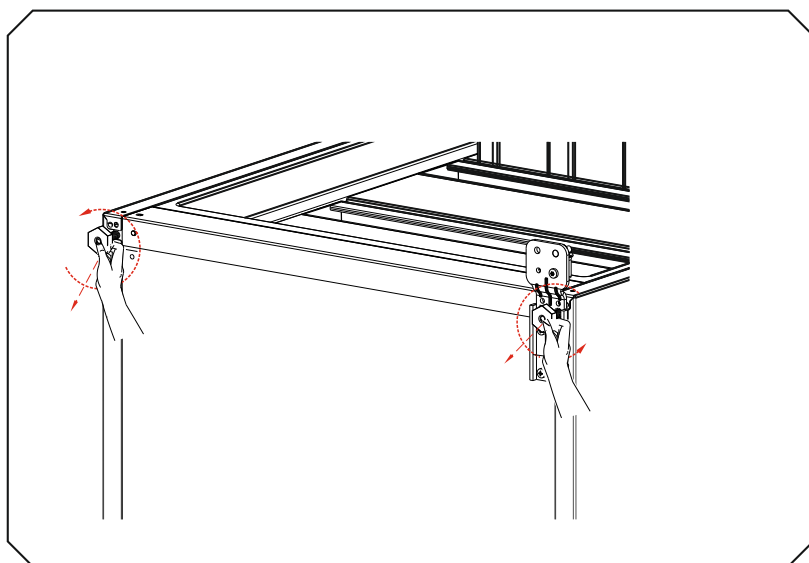
5. Unscrew the middle hinge. Set aside.



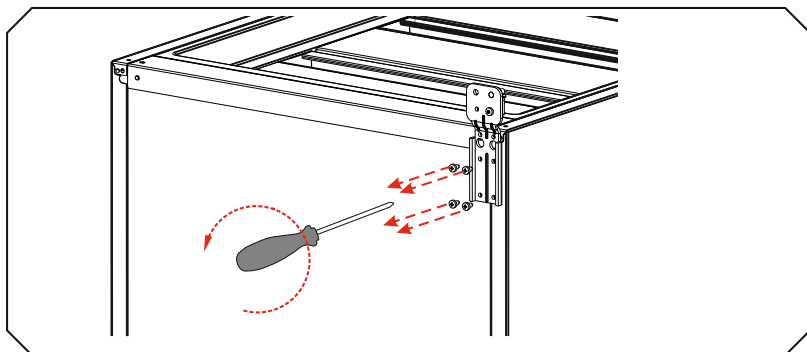
6. Lift the freezer door up and forward to remove it from the pin.



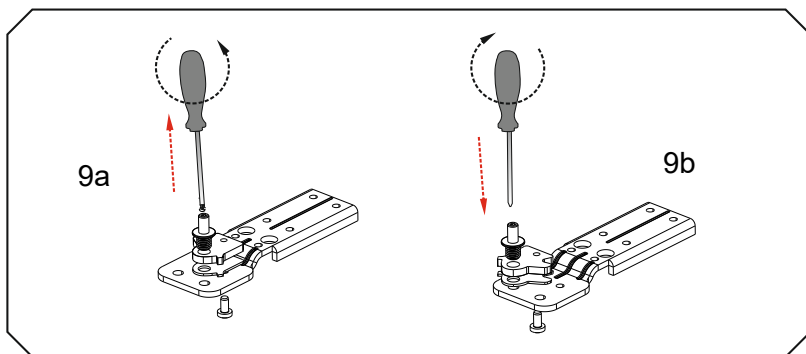
7. Unscrew both feet.



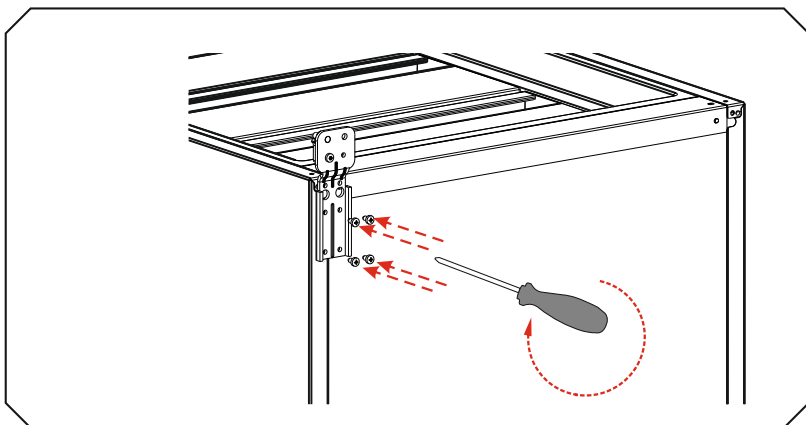
8. Unscrew the bottom hinge.



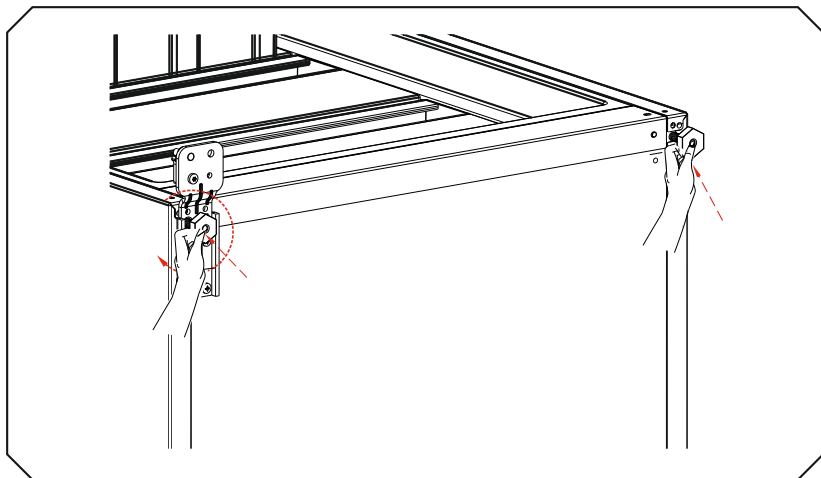
9. Detach the pin from the bottom hinge and move it to the opposite hole.



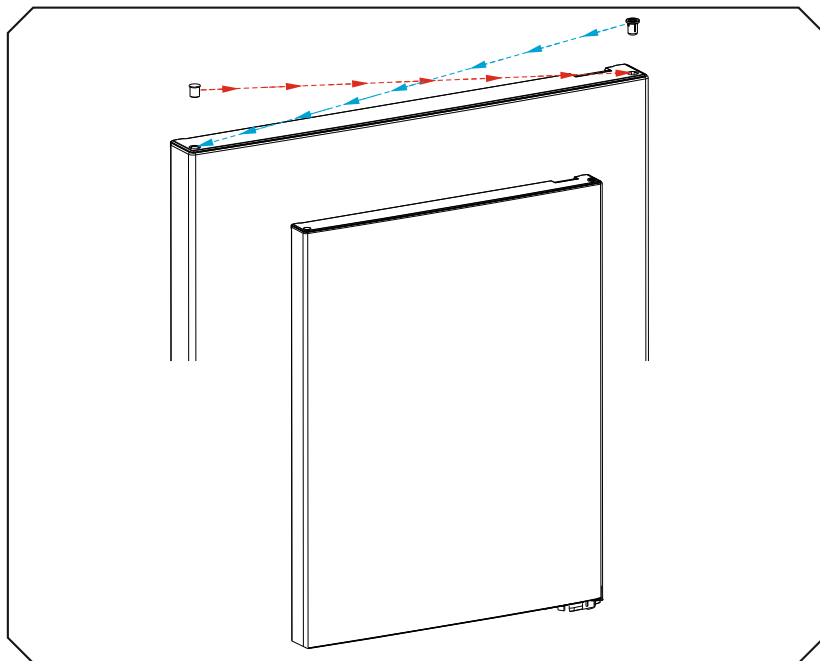
10. Relocate the bottom hinge to the opposite side.



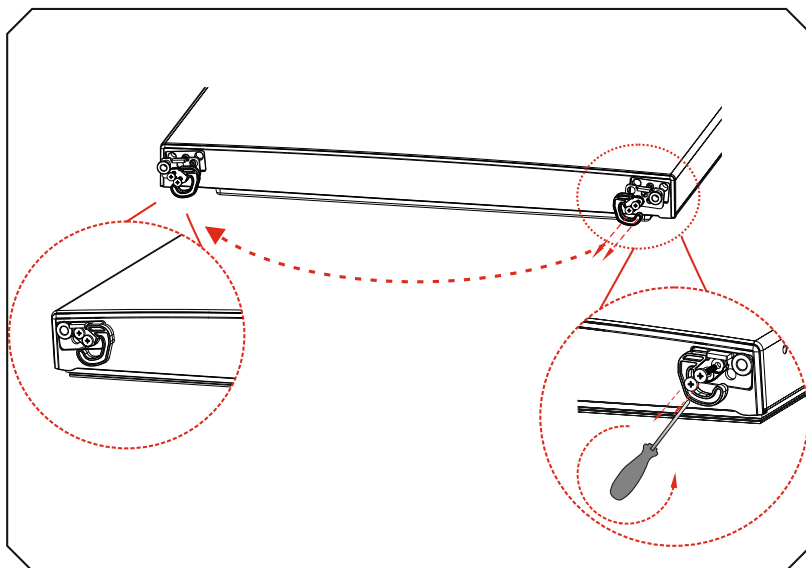
11. Reattach the feet.



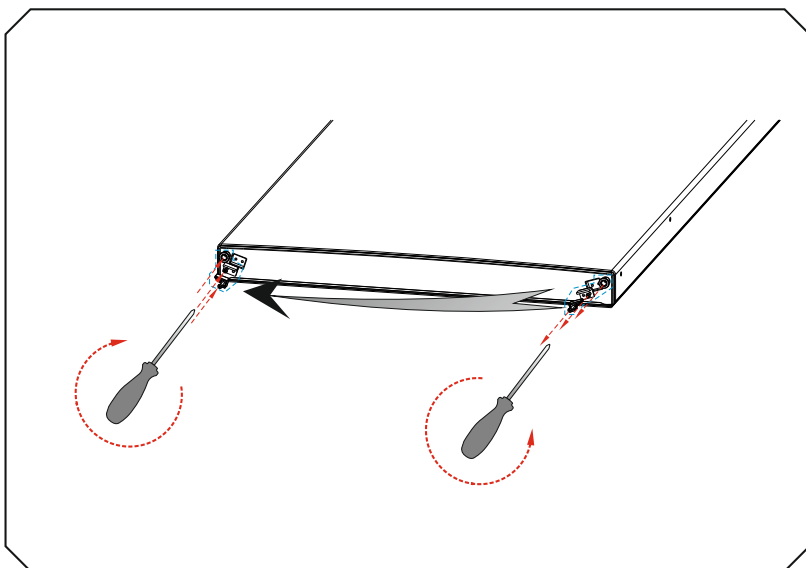
12. Switch the top door cap cover to the opposite side of the door.



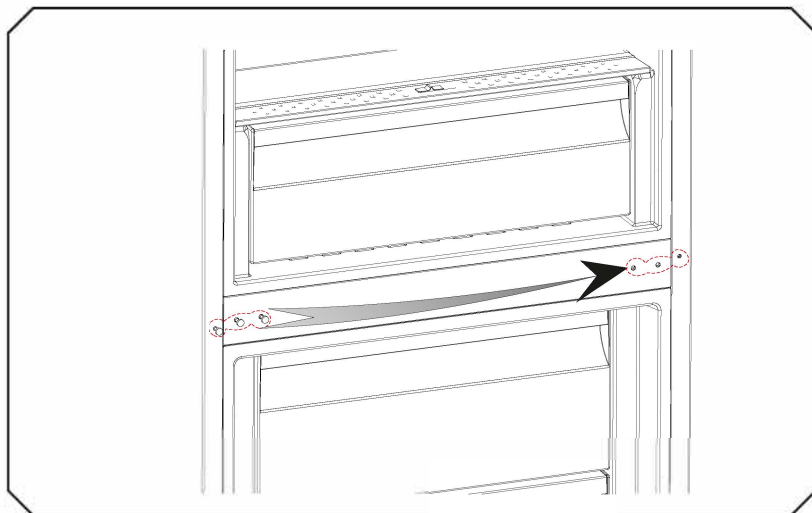
13. Unscrew the bottom refrigerator door hinge to the opposite side. Ensure the hinge is flipped.



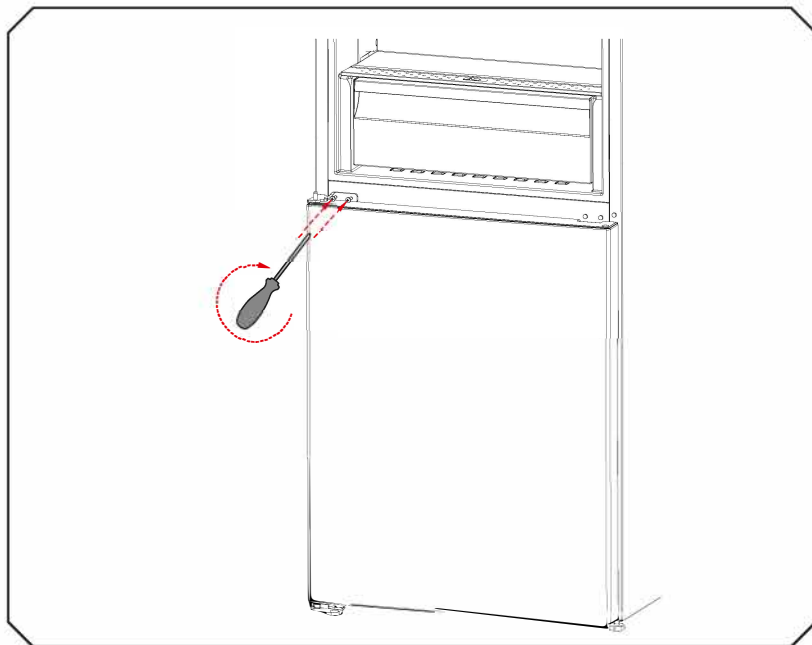
14. Secure the hinge to the opposite side of the door.



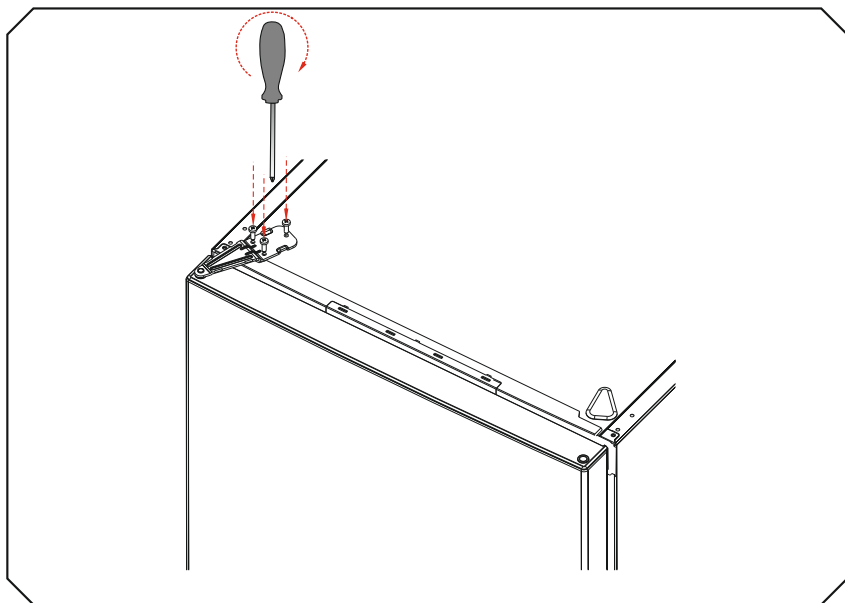
15. Reposition the middle pins to the opposite side.



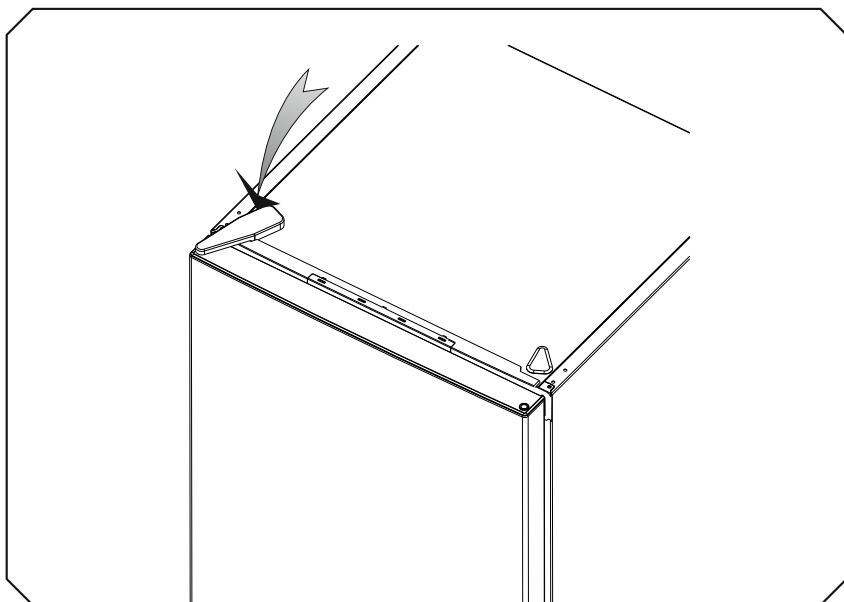
16. Reattach the freezer door and secure the middle hinge to the unit.



17. Secure the top hinge to the top of the unit.



18. Reattach the hinge cover. Ensure it snaps into place.



## 7 TIPS FOR SAVING ENERGY

- Install the appliance in a cool, well-ventilated room, but not in direct sunlight and not near a heat source (such as a radiator or oven) otherwise an insulating plate should be used.
- Allow warm food and drinks to cool down before placing them inside the appliance.
- Thaw frozen food in the refrigerator compartment. The cold from the food will help maintain a cool temperature in the fridge to conserving energy. Thawing outside the appliance can waste energy.
- Drinks or other liquids should be covered when inside the appliance. If left uncovered, the humidity inside the appliance will increase, therefore the appliance uses more energy. Keeping drinks and other liquids covered helps preserve their smell and taste.
- Avoid keeping the doors open for extended periods or opening them too frequently. Doing so allows warm air to enter the appliance, causing the compressor to activate more often than necessary.
- Keep the covers of the different temperature compartments (such as the crisper and chiller if available) closed.
- The door gasket must be clean and pliable. In case of wear, replace the gasket.
- The product can be used without ice maker flap. Energy consumption is declared according to this option.

## Recommendations

- If the appliance is switched off or unplugged, wait at least 5 minutes before plugging the appliance in or restarting it in order to prevent damage to the compressor.
- If you will not use your appliance for a long time (e.g. in summer holidays) unplug it. Clean your appliance according to chapter cleaning and leave the door open to prevent humidity and smell.
- The appliance you have purchased is designed for domestic use only. It is not suitable for commercial or common use. If the consumer uses the appliance in a way that does not comply with this, we emphasize that the manufacturer and the dealer will not be responsible for any repair and failure within the guarantee period.

## 8 ERROR CODE

### Errors

Your fridge will warn you if the temperatures for the refrigerator and freezer are at improper levels or if a problem occurs with the appliance. Warning codes are displayed in the freezer and refrigerator indicators.

ERROR TYPE	MEANING	WHY	WHAT TO DO
E01	Sensor warning		Call Service for assistance as soon as possible.
E02	Sensor warning		Call Service for assistance as soon as possible.
E03	Sensor warning		Call Service for assistance as soon as possible.
E06	Sensor warning		Call Service for assistance as soon as possible.
E07	Sensor warning		Call Service for assistance as soon as possible.
E09	Freezer compartment is not cold enough	Likely to occur after long term power failure.	<ol style="list-style-type: none"> <li>1. Set the freezer temperature to a colder value or set Super Freeze. This should remove the error code once the required temperature has been reached. Keep doors closed to improve time taken to reach the correct temperature.</li> <li>2. Remove any products which have thawed/defrosted during this error. They can be used within a short period of time.</li> <li>3. Do not add any fresh produce to the freezer compartment until the correct temperature has been reached and the error is no longer.</li> </ol> <p>If this warning continues an authorised technician needs to be contacted.</p>
E10	Fridge compartment is not cold enough	<p><b>Likely to occur after:</b></p> <ul style="list-style-type: none"> <li>- Long term power failure.</li> <li>- Hot food has been left in the fridge.</li> </ul>	<ol style="list-style-type: none"> <li>1. Set the fridge temperature to a colder value or set Super Cool. This should remove the error code once the required temperature has been reached. Keep doors closed to improve time taken to reach the correct temperature.</li> <li>2. Please empty the location at the front area of air duct channel holes and avoid putting food close to the sensor.</li> </ol> <p>If this warning continues an authorised technician needs to be contacted.</p>

ERROR TYPE	MEANING	WHY	WHAT TO DO
E11	Fridge compartment is too cold	Various	1. Check is Super Cool mode is activated 2. Reduce the fridge compartment temperature 3. Check to see if vents are clear and not clogged If this warning continues an authorised technician needs to be contacted.

If you have checked the information above and you still need help with your appliance, call our Customer Service facility at **800-932-4267** (Ext. **513**) between 9:00 AM and 5:00 PM ET or visit our website **[summitappliance.com/support](http://summitappliance.com/support)** at any time. We will do our best to answer your questions.

## 9 GENERAL TROUBLESHOOTING

If you are experiencing a problem with your appliance, please check the following before contacting the after-sales service.

PROBLEM	POSSIBLE CAUSES	SOLUTION
Your appliance is not operating	There is no power.	Verify that the power supply to the building is active. Contact your utility provider if there are outages.
	The plug is not correctly placed in the socket.	Carefully unplug the device and then plug it back in, ensuring it's fully seated in the socket.
	The socket is defective.	Try plugging another working appliance into the same socket.
	The plug fuse or the mains fuse has blown.	If issues persist or if you're unsure about any step, contact a qualified electrician for further diagnosis and repair.
The appliance performs poorly	The appliance is overloaded.	Remove items that are not essential. Ensure there's enough space for air to circulate around the food.
	The appliance door is not closed properly.	Make sure there are no food items or containers blocking the door from closing fully.  Examine the rubber gasket around the door for any tears, dirt, or damage. Clean it with warm, soapy water, and ensure its sealing tightly against the fridge.
	There is dust on the condenser.	Use a vacuum with a brush attachment to gently remove dust and debris from the coils. Be careful not to damage the coils. Always unplug the fridge before cleaning the condenser.
	There is not enough space near the rear and side walls.	Refer to your fridge's manual for recommended clearance distances.  Remove any furniture, appliances, or items that may be blocking the fridge's ventilation.
Your appliance is operating noisily. Some common noises include:		It's normal for the appliance to make noise. If the sounds persist or seem abnormal, consider contacting technical support for a thorough inspection.
Cracking noise	During automatic defrosting. Or when the appliance is cooled or warmed (due to expansion of appliance material).	
Short cracking noise	When the thermostat switches the compressor on/off.	
Motor noise	Indicates the compressor is operating normally. The compressor may cause more noise for a short time when it is first activated.	
Bubbling noise and splash occur	Due to the flow of the refrigerant in the tubes of the system.	
Water flowing noise	Due to water flowing to the evaporation container. This noise is normal during defrosting.	
Air blowing noise	In some models during normal operation of the system due to the circulation of air.	
The edges of the appliance in contact with the door joint are warm	Especially during summer (warm seasons), the surfaces in contact with the door joint may become warmer during the operation of the compressor, this is normal.	This is normal. If the issue persists, consider contacting technical support to check for potential insulation issues or other underlying problems.
There is a build-up of humidity inside the appliance	The appliance door is opened frequently. Humidity of the room enters the appliance when the doors are opened. Humidity increases faster when the doors are opened more frequently, especially if the humidity of the room is high.	Limit the number of times the door is opened and ensure it is closed securely each time.  Make sure all food is packed securely, and ensure containers are dry before placing them in the appliance.
The door does not open or close properly	There is food or packaging preventing the door from closing.	Check for any food or packaging blocking the door and rearrange or remove items to ensure it closes securely. Regularly organize the fridge to prevent future obstructions.
	The door joints are broken or torn.	Replace any broken or torn door joints to ensure a proper seal and maintain refrigerator efficiency.
	Your appliance is not on a level surface.	Adjust the appliance's feet to ensure it is on a level surface for optimal performance.

If you have checked the information above and you still need help with your appliance, call our Customer Service facility at **800-932-4267** (Ext. 513) between 9:00 AM and 5:00 PM ET or visit our website [summitappliance.com/support](https://www.summitappliance.com/support) at any time. We will do our best to answer your questions.

# LIMITED WARRANTY

## ONE-YEAR LIMITED WARRANTY

Within the 48 contiguous United States, for one year from the date of purchase, when this appliance is operated and maintained according to instructions attached to or furnished with the product, warrantior will pay for factory-specified parts and repair labor to correct defects in materials or workmanship. Service must be provided by a designated service company. Outside the 48 states, all parts are warranted for one year from manufacturing defects. Plastic parts, shelves and cabinets are warranted to be manufactured to commercially acceptable standards, and are not covered from damage during handling or breakage.

## 5-YEAR COMPRESSOR WARRANTY

1. The compressor is covered for 5 years.
2. Replacement does not include labor.

### ITEMS WARRANTOR WILL NOT PAY FOR:

1. Service calls to correct the installation of your appliance, to instruct you how to use your appliance, to replace or repair fuses or to correct wiring or plumbing.
2. Service calls to repair or replace appliance light bulbs or broken shelves. Consumable parts (such as filters) are excluded from warranty coverage.
3. Damage resulting from accident, alteration, misuse, abuse, fire, flood, acts of God, improper installation, installation not in accordance with electrical or plumbing codes, or use of products not approved by warrantior.
4. Replacement parts or repair labor costs for units operated outside the United States.
5. Repairs to parts or systems resulting from unauthorized modifications made to the appliance.
6. The removal and re installation of your appliance if it is installed in an inaccessible location or is not installed in accordance with published installation instructions.

## DISCLAIMER OF IMPLIED WARRANTIES; LIMITATION OF REMEDIES

CUSTOMER'S SOLE AND EXCLUSIVE REMEDY UNDER THIS LIMITED WARRANTY SHALL BE PRODUCT REPAIR AS PROVIDED HEREIN. IMPLIED WARRANTIES, INCLUDING WARRANTIES OF MERCHANTABILITY OR FITNESS FOR A PARTICULAR PURPOSE, ARE LIMITED TO ONE YEAR. WARRANTOR SHALL NOT BE LIABLE FOR INCIDENTAL OR CONSEQUENTIAL DAMAGES. SOME STATES DO NOT ALLOW THE EXCLUSION OR LIMITATION OF INCIDENTAL OR CONSEQUENTIAL DAMAGES, OR LIMITATIONS ON THE DURATION OF IMPLIED WARRANTIES OF MERCHANTABILITY OR FITNESS, SO THESE EXCLUSIONS OR LIMITATIONS MAY NOT APPLY TO YOU. THIS WARRANTY GIVES YOU SPECIFIC LEGAL RIGHTS AND YOU MAY ALSO HAVE OTHER RIGHTS, WHICH VARY FROM STATE TO STATE.



**WARNING:** This product can expose you to chemicals including Diisononyl phthalate (DINP) which is known to the State of California to cause cancer. For more information go to [www.P65Warnings.ca.gov](http://www.P65Warnings.ca.gov)



**AVERTISSEMENT:** Ce produit peut contenir des produits chimiques, notamment du poison mortel (DINP), reconnu par l'État de Californie comme pouvant provoquer le cancer. Pour plus d'informations, visitez [www.P65Warnings.ca.gov](http://www.P65Warnings.ca.gov)

Felix Storch, Inc.  
An ISO 9001:2015 registered company  
770 Garrison Ave  
Bronx, New York 10474  
[www.summitappliance.com](http://www.summitappliance.com)

# SUMMIT®

For parts and accessory ordering,  
troubleshooting and helpful hints, visit:  
[www.summitappliance.com/support](http://www.summitappliance.com/support)



## **MONTAGE INFÉRIEUR RÉFRIGÉRATEUR - CONGÉLATEUR**

### *Modèles:*

FFBF123B

LBF12B

SBF125B

FFBF124SS

LBF12SS

SBF125SS

FFBF121W

LBF12W

SBF125W

FFBF122PL

LBF12PL

SBF126PL

### ***Manuel d'utilisation***

**AVANT UTILISATION, VEUILLEZ LIRE ET SUIVRE TOUTES LES RÈGLES DE SÉCURITÉ ET LES INSTRUCTIONS D'UTILISATION.**

Écrivez les numéros de modèle et de série ici :

Modèle \_\_\_\_\_

Numéro de série \_\_\_\_\_

## Merci d'avoir choisi ce produit.

Ce manuel d'utilisation contient des informations importantes sur la sécurité et des instructions destinées à vous aider dans l'utilisation et l'entretien de votre appareil.






Veillez prendre le temps de lire ce manuel d'utilisation avant d'utiliser votre appareil et conservez ce livre pour référence ultérieure.

**Ce produit utilise un réfrigérant hydrocarboné respectueux de l'environnement et est entièrement conforme à la réglementation California CARB.**

Cependant, la loi californienne nous oblige à fournir la déclaration de divulgation suivante dans chaque produit vendu en Californie.

*"Il est interdit d'utiliser cet équipement en Californie avec des réfrigérants figurant sur la 'Liste des substances interdites' pour cette utilisation finale spécifique, conformément au California Code of Regulations, titre 17, section 95374. Cette déclaration de divulgation a été examinée et approuvée par Felix Storch, Inc. et Felix Storch, Inc. atteste, sous peine de parjure, que ces déclarations sont vraies et exactes."*

Ce produit n'utilise aucun réfrigérant figurant sur la "Liste des substances interdites"

icône	Taper	Signification
	<b>AVERTISSEMENT</b>	Risque de blessure grave ou de décès
	<b>RISQUE DE CHOC ÉLECTRIQUE</b>	Risque de tension dangereuse
	<b>FEU</b>	Attention ; risque d'incendie / matières inflammables
	<b>PRUDENCE</b>	Risque de blessure ou de dommages matériels
	<b>IMPORTANT</b>	Faire fonctionner correctement le système


# CONTENU


<b>1 CONSIGNES DE SÉCURITÉ</b> .....	1
1.1 Avertissements généraux de sécurité.....	1
1.2 Avertissements d'installation.....	6
1.3 Pendant l'utilisation.....	6
<b>2 DESCRIPTION DE L'APPAREIL</b> .....	7
<b>3 UTILISATION DE L'APPAREIL</b> .....	8
3.1 Informations sur la technologie de réfrigération de nouvelle génération.....	8
3.2 Affichage et panneau de commande.....	8
3.3 Fonctionnement de votre réfrigérateur-congélateur!.....	8
3.3.1 Réglages de température du congélateur.....	8
3.3.2 Réglages de température du réfrigérateur.....	9
3.3.3 Mode Super Freeze.....	9
3.3.4 Fonction d'alarme de porte ouverte.....	9
3.4 Avertissements de réglage de la température.....	10
3.5 Accessoires!.....	10
3.5.1 Bac à glaçons (sur certains modèles).....	10
3.5.2 Le compartiment congélateur.....	10
3.5.3 Le tiroir réfrigéré (dans certains modèles).....	11
3.5.4 Le cadran Fresh (dans certains modèles)!.....	11
3.5.5 Balconnet de porte réglable (dans certains modèles).....	12
3.5.6 Clayette en verre réglable (dans certains modèles).....	12
3.5.7 Technologie Natural Ion (dans certains modèles).....	12
<b>4 STOCKAGE DES ALIMENTS</b> .....	13
4.1 Compartiment réfrigérateur.....	13
4.2 Compartiment congélateur.....	14
<b>5 NETTOYAGE ET ENTRETIEN</b> .....	16
5.1 Décongélation.....	17
<b>6 EXPÉDITION ET REPOSITIONNEMENT</b> .....	17
6.1 Transport et changement de positionnement.....	17
6.2 Inversion du sens d'ouverture de la porte.....	17
6.3 Instructions pour l'inversion du sens d'ouverture de la porte.....	18
<b>7 CONSEILS POUR ÉCONOMISER DE L'ÉNERGIE</b> .....	27
<b>8 CODE D'ERREUR</b> .....	28
<b>9 DÉPANNAGE GÉNÉRAL</b> .....	30
<b>GARANTIE LIMITÉE</b> .....	32


# 1 CONSIGNES DE SÉCURITÉ


## 1.1 Avertissements généraux de sécurité


Lisez attentivement ce manuel d'utilisation.


 **AVERTISSEMENT** : Gardez les ouvertures de ventilation, dans le boîtier de l'appareil ou dans la structure intégrée, exemptes de toute obstruction.


 **AVERTISSEMENT** : N'utilisez pas de dispositifs mécaniques ou d'autres moyens pour accélérer le processus de dégivrage, autres que ceux recommandés par le fabricant.


 **AVERTISSEMENT** : N'utilisez pas d'appareils électriques à l'intérieur les compartiments de stockage des aliments de l'appareil, sauf s'ils sont du type recommandé par le fabricant.

 **ATTENTION** : Ne pas endommager le circuit réfrigérant.

 **AVERTISSEMENT** : Lors du positionnement de l'appareil, assurez-vous que le cordon d'alimentation n'est pas coincé ou endommagé.

 **AVERTISSEMENT** : Ne placez pas plusieurs prises portables, prises de courant ou blocs d'alimentation portables à l'arrière de l'appareil.

 **AVERTISSEMENT** : Afin d'éviter tout danger résultant de l'instabilité de l'appareil, celui-ci doit être fixé conformément aux instructions.

 Si votre appareil utilise le R600a comme réfrigérant (cette information sera indiquée sur l'étiquette du refroidisseur), vous devez prendre des précautions lors du transport et de l'installation pour éviter d'endommager les éléments du refroidisseur. Le R600a est un réfrigérant respectueux de l'environnement et

gaz naturel, mais il est explosif. En cas de fuite due à la détérioration des éléments réfrigérants, éloignez votre réfrigérateur des flammes nues ou des sources de chaleur et aérez la pièce où se trouve l'appareil pendant quelques minutes.

- Lors du transport et du positionnement

du réfrigérateur, veillez à ne pas endommager le circuit de gaz réfrigérant.

- Ne stockez pas de substances explosives telles que des bombes aérosols contenant un propulseur inflammable dans cet appareil.

\*Cet appareil est destiné à être utilisé dans un environnement domestique.

et les applications domestiques telles que :

- les cuisines du personnel dans les magasins, bureaux et autres environnements de travail.

- les fermes et par les clients dans les hôtels, motels et autres environnements de type résidentiel.

- les environnements de type chambres d'hôtes ;

- la restauration et les applications similaires non commerciales.

- Si la prise ne correspond pas à la fiche du réfrigérateur, elle doit être remplacée par le fabricant, un agent de service ou des personnes de qualification similaire afin d'éviter tout danger.

- Une prise de courant avec mise à la terre est raccordée au câble d'alimentation de votre réfrigérateur. Cette prise doit être utilisée avec une prise de courant de 10 ampères avec mise à la terre. Si votre maison ne dispose pas d'une telle prise, veuillez en faire installer une par un électricien agréé.

- Cet appareil peut être utilisé par des enfants âgés de 8 ans et plus et par des personnes ayant des capacités physiques, sensorielles ou mentales réduites ou manquant d'expérience et de connaissances s'ils ont reçu une surveillance ou des instructions concernant l'utilisation de l'appareil de manière sûre et comprennent les dangers encourus.  
Les enfants ne doivent pas jouer avec l'appareil. Le nettoyage et l'entretien de l'appareil ne doivent pas être effectués par des enfants sans surveillance.
- Les enfants âgés de 3 à 8 ans sont autorisés à charger et décharger les appareils de réfrigération. Les enfants ne sont pas censés effectuer le nettoyage ou l'entretien de l'appareil. Les très jeunes enfants (0 à 3 ans) ne sont pas censés utiliser les appareils. Les jeunes enfants (3 à 8 ans) ne sont pas censés utiliser les appareils en toute sécurité sans surveillance continue. Les enfants plus âgés (8 à 14 ans) et les personnes vulnérables peuvent utiliser les appareils en toute sécurité après avoir reçu une surveillance ou des instructions appropriées concernant l'utilisation de l'appareil. Les personnes très vulnérables ne sont pas censées utiliser les appareils en toute sécurité sans surveillance continue.
- Si le cordon d'alimentation est endommagé, il doit être remplacé par le fabricant, un agent de service agréé ou des personnes de qualification similaire, afin d'éviter tout danger.
- Cet appareil n'est pas destiné à être utilisé à des altitudes dépassant 6 500 pi.

- **AVERTISSEMENT** : Le système de réfrigération est sous haute pression. Ne pas le modifier. Contacter un technicien qualifié avant de procéder à la mise au rebut.
  
- **ATTENTION** : Pour éviter qu'un enfant ne soit Piégé, tenir hors de portée des enfants et loin du congélateur ou du réfrigérateur.
  
- **AVERTISSEMENT** : risque de piégeage des enfants.  
Avant de jeter votre ancien réfrigérateur ou congélateur :
  - \* Enlevez les portes.
  - \* Laissez les étagères en place afin que les enfants ne puissent pas grimper facilement à l'intérieur.
  
- Cet appareil n'est pas destiné à être utilisé par des personnes (y compris les enfants) ayant des capacités physiques, sensorielles ou mentales réduites, ou manquant d'expérience et de connaissances, à moins qu'ils ne bénéficient d'une surveillance ou d'instructions concernant l'utilisation de l'appareil par une personne responsable de leur sécurité. Les enfants doivent être surveillés pour s'assurer qu'ils ne jouent pas avec l'appareil.

## **Pour éviter la contamination des aliments, veuillez suivre ces instructions :**

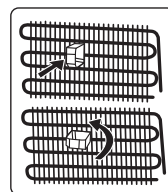
- Garder la porte ouverte pendant des périodes prolongées peut augmenter considérablement la température à l'intérieur de l'appareil.
- Nettoyez régulièrement les surfaces pouvant entrer en contact avec les aliments et les systèmes de drainage accessibles.
- Conservez la viande et le poisson crus dans des récipients appropriés réfrigérateur pour éviter qu'ils n'entrent en contact ou ne coulent sur d'autres aliments.
- Les compartiments pour aliments surgelés deux étoiles conviennent au stockage d'aliments pré-congelés, au stockage ou à la fabrication de glaces et à la fabrication de glaçons.
- Les compartiments à une, deux et trois étoiles ne conviennent pas à la congélation d'aliments frais.
- Si l'appareil de réfrigération est laissé vide pendant une longue période périodes, éteindre, décongeler, nettoyer, sécher et laisser la porte ouverte pour éviter la formation de moisissures.

## 1.2 Avertissements d'installation

Avant d'utiliser votre réfrigérateur-congélateur pour la première fois, veuillez tenir compte des points suivants :

- La tension de fonctionnement de votre réfrigérateur-congélateur est de **115-127 V à 60 Hz**.
  - La prise doit être accessible après l'installation.
  - Votre réfrigérateur-congélateur peut dégager une odeur lors de la première utilisation. C'est normal et l'odeur disparaîtra à mesure qu'il refroidira.
  - Avant de brancher votre réfrigérateur-congélateur, assurez-vous que les informations figurant sur la plaque signalétique (tension et charge connectée) correspondent à l'alimentation électrique du secteur. En cas de doute, consultez un électricien qualifié.
  - Insérez la fiche dans une prise avec une connexion à la terre efficace. Si la prise n'a pas de contact avec la terre ou si la fiche ne correspond pas, nous vous recommandons de consulter un électricien qualifié pour obtenir de l'aide.
- L'appareil doit être branché sur une prise correctement installée et protégée par un fusible. L'alimentation électrique (CA) et la tension au point de fonctionnement doivent correspondre aux informations figurant sur la plaque signalétique de l'appareil (la plaque signalétique est située à l'intérieur, à gauche de l'appareil).
- Nous déclinons toute responsabilité en cas de dommages résultant d'une utilisation non mise à la terre.
- Placez votre réfrigérateur-congélateur à un endroit où il ne sera pas exposé à la lumière directe du soleil.
- Votre réfrigérateur-congélateur ne doit jamais être utilisé à l'extérieur ou exposé à la pluie.
- Votre appareil doit être à au moins **20 pouces** des cuisinières, des fours à gaz et des radiateurs de chauffage, et à au moins **2 pouces** des fours électriques.
- Si votre réfrigérateur-congélateur est placé à côté d'un congélateur profond, il doit y avoir au moins **1 pouce** entre eux pour éviter la formation d'humidité sur la surface extérieure.
- Ne couvrez pas le corps ou le dessus du réfrigérateur-congélateur avec de la dentelle. Cela affectera les performances de votre réfrigérateur-congélateur.
- Un espace libre d'au moins **6 pouces** est requis au sommet de votre appareil. Ne placez rien sur votre appareil.

- Ne placez pas d'objets lourds sur l'appareil.
- Nettoyez soigneusement l'appareil avant de l'utiliser (voir Nettoyage et entretien).
- Avant d'utiliser votre réfrigérateur-congélateur, essuyez toutes les pièces avec une solution d'eau tiède et d'une cuillère à café de bicarbonate de soude. Rincez ensuite à l'eau claire et séchez. Remettez toutes les pièces dans le réfrigérateur-congélateur après le nettoyage.
- Utilisez les pieds avant réglables pour vous assurer que votre appareil est de niveau et stable. Vous pouvez régler les pieds en les tournant dans un sens ou dans l'autre. Cette opération doit être effectuée avant de placer des aliments dans l'appareil.
- Lorsque le produit fonctionne, les panneaux latéraux peuvent devenir sensiblement chauds. Cela est normal.
- Installez le(s) guide(s) de distance en plastique sur le condenseur (ailettes noires à l'arrière de l'appareil) en le tournant à 90° (comme indiqué sur la figure) pour éviter que le condenseur ne touche le mur.
  - La distance entre l'appareil et le mur arrière doit être d'un maximum de **3 pouces**.



## 1.3 Pendant l'utilisation

- Ne branchez pas votre réfrigérateur-congélateur sur le secteur à l'aide d'une rallonge.
- N'utilisez pas de fiches endommagées, déchirées ou anciennes.
- Ne tirez pas, ne pliez pas et n'endommagez pas le cordon.
- N'utilisez pas d'adaptateur de prise.
- Cet appareil est destiné à un usage adulte uniquement. Ne laissez pas les enfants jouer avec l'appareil ou se suspendre à la porte.
- Ne touchez jamais le cordon d'alimentation/la prise avec les mains mouillées. Cela pourrait provoquer un court-circuit ou une décharge électrique.
- Ne placez pas de bouteilles ou de canettes en verre dans le compartiment à glaçons, car elles pourraient éclater lorsque leur contenu gèle.
- Ne placez pas de matières explosives ou inflammables dans votre réfrigérateur. Placez les boissons à forte teneur en alcool verticalement dans le compartiment réfrigérateur et assurez-vous que leurs couvercles sont bien fermés.

- Lorsque vous retirez la glace du compartiment à glaçons, ne la touchez pas, car cela pourrait provoquer des engelures ou des coupures.

- Ne touchez pas les aliments congelés avec les mains mouillées. Ne mangez pas de glace ou de glaçons immédiatement après les avoir retirés du compartiment à glaçons.

- Ne recongelez pas des aliments surgelés décongelés. Cela peut entraîner des problèmes de santé tels qu'une intoxication alimentaire.

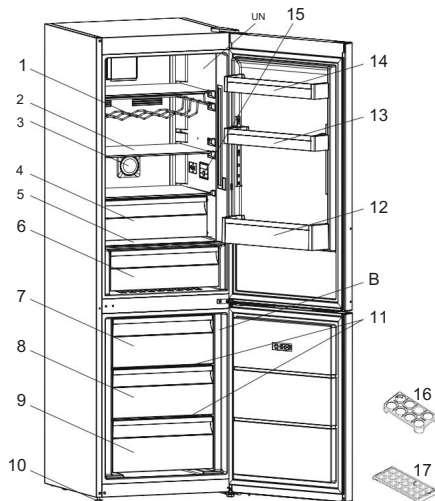
## Réfrigérateurs anciens et hors service


- Si votre ancien réfrigérateur ou congélateur est équipé d'un verrou, cassez-le ou retirez-le avant de le jeter, car les enfants risquent de rester coincés à l'intérieur et de provoquer un accident.
- Les anciens réfrigérateurs et congélateurs contiennent des matériaux isolants et du réfrigérant contenant des CFC. Par conséquent, veillez à ne pas nuire à l'environnement lorsque vous jetez vos anciens réfrigérateurs.

## Remarques:

- Veuillez lire attentivement le manuel d'instructions avant d'installer et d'utiliser votre appareil. Nous ne sommes pas responsables des dommages survenus suite à une mauvaise utilisation.
- Suivez toutes les instructions de votre appareil et du manuel d'instructions, et conservez ce manuel dans un endroit sûr pour résoudre les problèmes qui pourraient survenir à l'avenir.
- Cet appareil est conçu pour être utilisé dans les maisons et ne peut être utilisé que dans des environnements domestiques et aux fins spécifiées. Il n'est pas adapté à un usage commercial ou commun. Une telle utilisation entraînerait l'annulation de la garantie de l'appareil et notre société ne sera pas responsable des pertes encourues.
- Cet appareil est conçu pour être utilisé dans les maisons et ne convient que pour refroidir/conservé des aliments. Il n'est pas adapté à un usage commercial ou commun et/ou pour stocker des substances autres que des aliments. Notre société n'est pas responsable des pertes encourues par une utilisation inappropriée de l'appareil.

## 2 DESCRIPTION DU APPAREIL



 Cette présentation est uniquement à titre informatif concernant les pièces de l'appareil. Les pièces peuvent varier selon le modèle d'appareil.

- A) Compartiment réfrigérateur
- B) Compartiment congélateur
- 1) Casier à vin
- 2) Étagère du réfrigérateur
- 3) Ioniseur
- 4) Refroidisseur \*
- 5) Couvercle du bac à légumes
- 6) Plus croustillant
- 7) Panier supérieur du congélateur
- 8) Panier central du congélateur
- 9) Panier inférieur du congélateur
- 10) Pieds de mise à niveau
- 11) Clayettes en verre du congélateur
- 12) Étagère à bouteilles
- 13) Étagère de porte réglable \* / étagère de porte
- 14) Étagère de porte
- 15) Boîtier thermostatique / Affichage intérieur
- 16) Porte-oeufs
- 17) Bac à glaçons

\* Dans certains modèles

## 3 UTILISATION DE L'APPAREIL

### 3.1 Informations sur la technologie de refroidissement de nouvelle génération

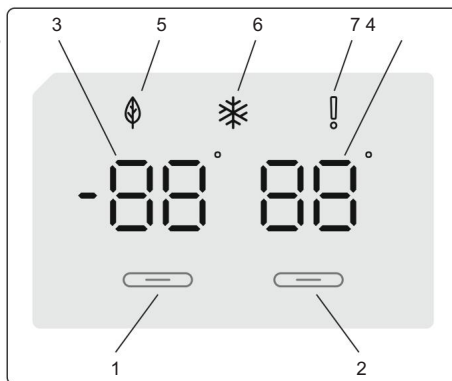
Les réfrigérateurs dotés d'une technologie de réfrigération de nouvelle génération fonctionnent différemment des réfrigérateurs statiques. Certains réfrigérateurs (statiques) peuvent être sujets à une accumulation de glace dans le compartiment congélateur en raison de l'ouverture des portes et de l'humidité des aliments. Dans ces réfrigérateurs, un dégivrage régulier est nécessaire : le réfrigérateur doit être éteint, les aliments congelés déplacés dans un récipient approprié et la glace qui s'est formée dans le compartiment congélateur doit être retirée.

Dans les réfrigérateurs dotés d'une technologie de refroidissement de nouvelle génération, un ventilateur souffle de l'air froid et sec de manière uniforme dans les compartiments réfrigérateur et congélateur. L'air froid refroidit vos aliments de manière uniforme et régulière, empêchant ainsi l'accumulation d'humidité et de glace.

Dans le compartiment réfrigérateur, l'air soufflé par le ventilateur, situé en haut du compartiment réfrigérateur, est refroidi en passant par l'espace derrière le conduit d'air. En même temps, l'air est soufflé par les trous du conduit d'air, répartissant uniformément l'air frais dans tout le compartiment réfrigérateur.

Il n'y a aucun passage d'air entre les compartiments congélateur et réfrigérateur, évitant ainsi le mélange des odeurs. De ce fait, votre réfrigérateur, doté d'une technologie de refroidissement de nouvelle génération, vous offre une facilité d'utilisation ainsi qu'un volume important et une apparence esthétique.

### 3.2 Affichage et panneau de contrôle



#### Utilisation du panneau de configuration

1. Permet le réglage du congélateur.
2. Permet le réglage du réfrigérateur.
3. Écran de valeur de consigne du congélateur.
4. Écran de valeur de consigne du réfrigérateur.
5. Symbole du mode économique.
6. Symbole de super congélation.
7. Symbole d'alarme.

### 3.3 Utilisation de votre réfrigérateur-congélateur

#### Éclairage (si disponible)

Lorsque le produit est branché pour la première fois, les lumières intérieures peuvent s'allumer avec 1 minute de retard en raison des tests d'ouverture.

Une fois le produit branché, tous les symboles s'afficheront pendant 2 secondes et les valeurs initiales seront indiquées comme 0°F


sur l'indicateur de réglage du congélateur et 39°F sur l'indicateur de réglage du réfrigérateur.

#### 3.3.1 Réglages de température du congélateur

- La valeur de température initiale pour le l'indicateur de réglage du congélateur est à 0°F.
- Appuyez une fois sur le bouton de réglage du congélateur. Lorsque vous appuyez d'abord sur le bouton, le précédent la valeur clignotera sur l'écran.
- Chaque fois que vous appuyez sur le même bouton, une température plus basse sera réglée (3°F, 0°F, -4°F, -8°F ou -11°F).
- Si vous continuez à appuyer sur le bouton, il redémarrera à partir de 3°F.

**REMARQUE** : le mode Eco s'active automatiquement lorsque la température du compartiment congélateur est réglée sur 0 °F.



 Le mode Super Freeze sera automatiquement annulé après 24 heures, en fonction de la température ambiante ou lorsque le capteur du congélateur atteint une température suffisamment basse.

### 3.3.2 Réglages de température du réfrigérateur

- La valeur de température initiale pour le L'indicateur de réglage du réfrigérateur est à 39°F.
- Appuyez une fois sur le bouton du refroidisseur.
- Chaque fois que vous appuyez sur le bouton, un une température plus basse sera réglée (46°F, 43°F, 41°F, 39°F ou 36°F).
- Si vous continuez à appuyer sur le bouton, il redémarrera à partir de 46°F.

#### 3.3.3 Mode Super Freeze

- Pour congeler une grande quantité de nourriture qui ne peut pas tenir sur l'étagère de congélation rapide.
- Pour congeler des aliments préparés.
- Pour congeler rapidement des aliments frais afin de les conserver fraîcheur.

#### Comment Utiliser

Pour activer le mode Super Freeze, maintenez enfoncé le bouton de réglage de la température du congélateur pendant 3 secondes! Une fois le mode Super Freeze réglé, le symbole Super Freeze sur l'indicateur s'allume et la machine



bip pour confirmer que le mode a été activé.

#### Pendant le Mode Super Freeze :

- La température du réfrigérateur peut être ajusté. Dans ce cas, Super Freeze le mode continuera.
- Le mode économie ne peut pas être sélectionné.
- Le mode Super Freeze peut être annulé dans de la même manière qu'il est sélectionné.

#### Remarques :

- La quantité maximale d'aliments frais (en! kilogrammes) qui peuvent être congelés dans les 24!Les heures sont indiquées sur l'étiquette de l'appareil.
- Pour une performance optimale de l'appareil capacité maximale du congélateur, activer Super!Mode Congélation 3 heures avant de mettre du frais!nourriture dans le congélateur.

Réglages recommandés pour le compartiment congélateur et réfrigérateur

#### Température

Congélateur Compartiment	Réfrigérateur Compartiment	Remarques
0 de	39°F	Pour une utilisation régulière et des performances optimales.
-4 °F, -8 °F ou -11 °F	39°F	Recommandé lorsque la température ambiante dépasse 86 °F.
Mode Super Freeze	39°F	Doit être utilisé lorsque vous souhaitez congeler des aliments dans un court laps de temps.
0 °F, -4 °F, -8 °F ou -11 °F	36°F	Ces réglages de température doivent être utilisés lorsque la température ambiante est élevée ou si vous pensez que le compartiment réfrigérateur n'est pas suffisamment froid parce que la porte est ouverte fréquemment.

### 3.3.4 Fonction d'alarme de porte ouverte

Si la porte du réfrigérateur est ouverte plus de 2 minutes, l'appareil commence à émettre un bip.

#### Modification de l'Affichage de la Température à Partir de De Fahrenheit à Celsius

Pour afficher les paramètres de température en Celsius, veuillez suivre ces instructions :

- Réglez la température de la section réfrigérateur sur **39°F** et attendez que le clignotement cesse.
- Appuyez sur le bouton **Cooler Set** et maintenez-le enfoncé pendant 10 secondes. Les valeurs définies s'afficheront alors en degrés Celsius.

## Modification de l’Affichage de la Température à Partir de De Celsius à Fahrenheit

Pour afficher les paramètres de température en degrés Fahrenheit, veuillez suivre ces instructions :

- Réglez la température de la section réfrigérateur sur **4°C** et attendez que le clignotement cesse.
- Appuyez sur le bouton Cooler Set et maintenez-le enfoncé pendant 10 secondes. Les valeurs définies seront alors affichées en degrés Fahrenheit.

## 3.4 Avertissements Concernant les Réglages de Température

- Votre appareil est conçu pour fonctionner dans les plages de température ambiante spécifié par la classe climatique sur le étiquette d’information. Utilisation de votre réfrigérateur en dehors de ces plages de température, il se peut réduire l’efficacité du refroidissement.
- Réglez la température en fonction de la fréquence des ouvertures de portes, la quantité des aliments stockés à l’intérieur et de la température ambiante température du lieu.
- Lorsque l’appareil est mis en marche pour la première fois, laissez-le fonctionner pendant 24 heures pour atteindre le température de fonctionnement optimale. Pendant pendant cette période, n’ouvrez pas la porte ou ne placez pas une grande quantité de nourriture à l’intérieur.
- Une fonction de retard de 5 minutes est mis en œuvre pour protéger le compresseur lors de la connexion ou de la déconnexion de le secteur, ou lors d’une coupure de courant. L’appareil reprendra son fonctionnement normal opération après ce délai.

### Instructions d’installation importantes

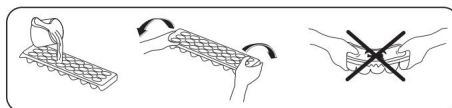
Cet appareil est conçu pour fonctionner dans des conditions climatiques difficiles et est équipé de la technologie « Freezer Shield » qui garantit que les aliments congelés dans le congélateur ne décongèleront pas même si la température ambiante descend jusqu’à -15°C. Vous pouvez donc installer votre appareil dans une pièce non chauffée sans avoir à vous soucier de la détérioration des aliments congelés dans le congélateur. Lorsque la température ambiante revient à la normale, vous pouvez continuer à utiliser l’appareil comme d’habitude.

## 3.5 Accessoires

Les descriptions visuelles et textuelles dans la section accessoires peuvent varier selon le modèle de votre appareil.

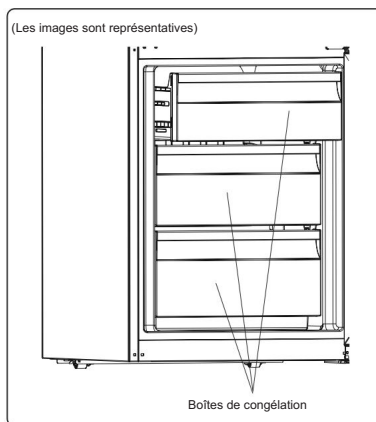
### 3.5.1 Bac à Glaçons (dans certains modèles)

- Remplissez le bac à glaçons avec de l’eau et placez-le dans le compartiment congélateur.
- Une fois l’eau complètement gelée, vous peut faire tourner le plateau comme indiqué ci-dessous pour retirer les glaçons.

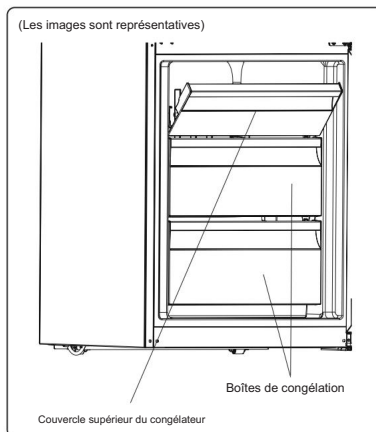


### 3.5.2 La Boîte de Congélation

Le congélateur permet d’accéder plus facilement aux aliments.



ou



### Retrait du Congélateur :

- Tirez la boîte aussi loin que possible
- Tirez l'avant de la boîte vers le haut et vers l'extérieur



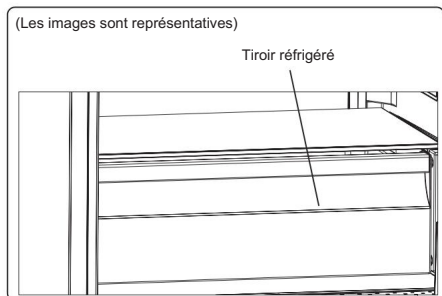
Effectuez l'opération inverse lors du remontage du compartiment coulissant.



Maintenez toujours la poignée de la boîte lorsque vous la retirez.

### 3.5.3 Le Tiroir Réfrigéré (dans certains modèles)

(Les images sont représentatives)



Conserver les aliments dans le tiroir réfrigéré plutôt que dans les compartiments congélateur ou réfrigérateur permet de conserver leur fraîcheur et leur saveur tout en préservant leur apparence.

Lorsque le tiroir réfrigéré est sale, retirez-le et lavez-le à l'eau.

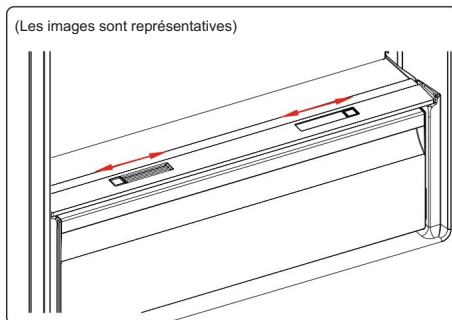
Le tiroir réfrigéré est généralement utilisé pour stocker des articles tels que du poisson cru, légèrement! aliments marinés, riz et produits similaires.



**Ne placez pas d'aliments que vous souhaitez congeler ni de bacs à glaçons (pour faire de la glace) dans le tiroir réfrigéré.**

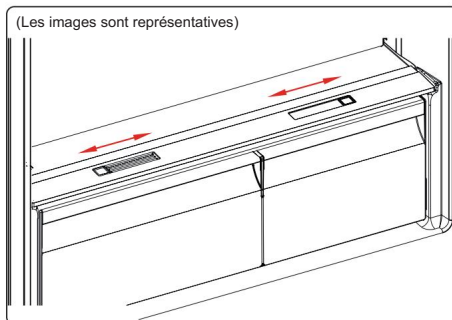
### 3.5.4 Le Cadran Frais (dans certains modèles)

(Les images sont représentatives)



OU

(Les images sont représentatives)



Si le bac à légumes est plein, ouvrez le cadran fraîcheur situé à l'avant du bac. Cela permet de mieux contrôler la circulation de l'air.

et les niveaux d'humidité, contribuant ainsi à prolonger la durée de vie des aliments à l'intérieur.

Si vous constatez de la condensation sur la tablette en verre, assurez-vous que le cadran situé derrière la tablette est également ouvert.

### 3.5.5 Étagère de Porte Réglable

(Dans certains modèles)

La tablette de porte réglable offre six réglages de hauteur différents pour créer les zones de rangement dont vous avez besoin.

Pour modifier la position de la tablette de porte réglable :

Tenez le bas de l'étagère et tirez les boutons sur le côté de la tablette de porte vers l'avant.

(Fig.1)

Positionnez la tablette de porte à la hauteur souhaitée en la déplaçant de haut en bas. Une fois que vous avez obtenu la position souhaitée pour la tablette de porte, relâchez les boutons situés sur le côté de la tablette de porte (Fig. 2). Avant de relâcher la tablette de porte, déplacez-vous de haut en bas et assurez-vous que la tablette de porte est fixée.

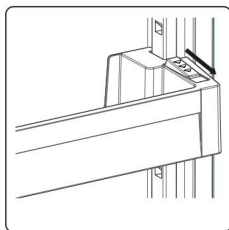


Fig. 1

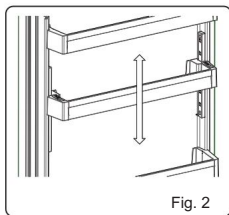


Fig. 2



**Remarque :** Avant de déplacer une étagère de porte chargée, veillez à la soutenir par le bas.

Dans le cas contraire, l'étagère pourrait tomber des rails en raison de son poids, ce qui pourrait endommager l'étagère et les rails.

### 3.5.6 Étagère en Verre Réglable

(Dans certains modèles)

Le mécanisme de réglage de la tablette en verre permet de modifier facilement la hauteur de rangement d'un simple mouvement. Pour fixer la tablette en verre, il suffit de la pousser en place.

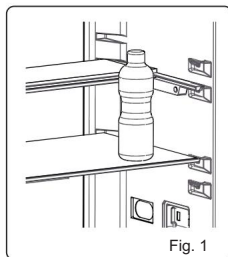


Fig. 1

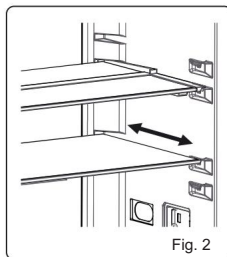


Fig. 2

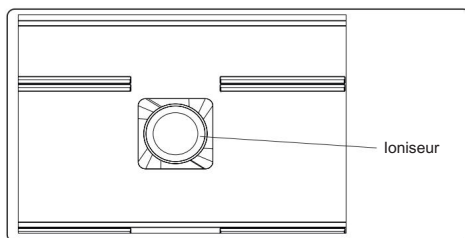
Vous pouvez placer vos aliments comme vous le souhaitez dans l'espace supplémentaire ainsi créé. Pour ramener la clayette à sa position initiale, tirez-la vers vous.

### 3.5.7 Natural Ion Tech (dans certains modèles)

- Cette fonctionnalité est facultative. Elle peut ne pas exister sur votre produit.
- L'emplacement de votre appareil ioniseur peut varier d'un produit à l'autre.

Natural Ion Tech diffuse des ions négatifs qui neutralisent les particules d'odeurs désagréables et de poussière dans l'air.

En éliminant ces particules de l'air du réfrigérateur, Natural Ion Tech améliore la qualité de l'air et élimine les odeurs.



Ioniseur

## 4 STOCKAGE DES ALIMENTS

### 4.1 Compartiment réfrigérateur

Pour des conditions de fonctionnement normales, réglez la température du compartiment réfrigérateur entre 39 °F et +43 °F.

- Pour réduire l'humidité et éviter la formation de givre, conservez toujours les liquides dans des récipients hermétiques au réfrigérateur. Le givre a tendance à s'accumuler dans les zones les plus froides de l'évaporateur, ce qui nécessitera un dégivrage plus fréquent au fil du temps.

- Les plats cuisinés doivent rester couverts pendant leur conservation au réfrigérateur. Ne placez pas d'aliments chauds au réfrigérateur ; laissez-les d'abord refroidir pour éviter d'augmenter la température et l'humidité, ce qui peut réduire l'efficacité du réfrigérateur.

- Assurez-vous qu'aucun article n'est en contact direct avec la paroi arrière de l'appareil, car du givre peut se former et l'emballage peut y adhérer. Réduisez au minimum les ouvertures fréquentes de la porte du réfrigérateur.

- Pour des conditions de conservation optimales, nous recommandons d'emballer la viande et le poisson propres sans les serrer et de les placer sur la clayette en verre juste au-dessus du bac à légumes, où l'air est plus frais.

- Conservez les fruits et légumes en vrac dans les bacs à légumes.

- Séparer les fruits et légumes permet d'éviter que les légumes sensibles à l'éthylène (tels que les légumes verts à feuilles, le brocoli et les carottes) ne soient affectés par les fruits libérant de l'éthylène (comme les bananes, les pêches et les figues).

- Ne placez pas de légumes humides au réfrigérateur.

- La durée de conservation de tous les produits alimentaires dépend de la qualité initiale des aliments et du maintien d'un cycle de réfrigération ininterrompu.

- L'eau qui s'écoule de la viande peut contaminer d'autres produits dans le réfrigérateur. Emballez toujours correctement les produits carnés et nettoyez les déversements sur les étagères.

- Ne pas obstruer le passage de l'air en plaçant des aliments devant.

- Consommez les aliments emballés avant la date d'expiration recommandée.

- Ne laissez pas les aliments entrer en contact avec le capteur de température, qui est situé dans le compartiment réfrigérateur, afin de maintenir le compartiment réfrigérateur à une température optimale.

- Pour des conditions de fonctionnement normales, il suffira de régler le réglage de température de votre réfrigérateur à 39°F.

- La température idéale du réfrigérateur doit être comprise entre 32°F et 46°F. Les aliments frais stockés à moins de 32°F peuvent geler et se gâter. Lorsque les températures dépassent 46°F, la croissance bactérienne s'accélère et entraîne la détérioration des aliments.

- Ne mettez pas immédiatement des aliments chauds dans le réfrigérateur, attendez que la température extérieure baisse. Les aliments chauds augmentent la température de votre réfrigérateur et peuvent provoquer une intoxication alimentaire et une détérioration inutile des aliments.

- La viande et le poisson doivent être stockés dans le compartiment réfrigérateur et les légumes doivent être placés dans le bac à légumes (si disponible).
- Pour éviter toute contamination croisée, ne stockez pas de produits à base de viande et de fruits et légumes ensemble.

- Les aliments doivent être placés au réfrigérateur dans des récipients fermés ou couverts pour éviter l'humidité et les odeurs.

Le tableau ci-dessous est un guide rapide pour vous montrer la manière la plus efficace de stocker les principaux groupes d'aliments dans votre compartiment réfrigérateur.

Nourriture	Durée de stockage maximale	Comment et où stocker
Légumes et fruits	1 semaine	Bac à légumes
Viande et poisson	2 - 3 jours	Envelopper dans du papier aluminium, des sacs ou dans un récipient à viande et conserver sur l'étagère en verre.
Fromage frais	3 - 4 jours	Sur l'étagère de porte désignée

Nourriture	Durée de stockage maximale	Comment et où stocker
<b>Beurre et margarine</b>	1 semaine	Sur l'étagère de porte désignée
<b>Produits en bouteille, par exemple lait et yaourt</b>	Jusqu'à la date de péremption recommandée par le producteur	Sur l'étagère de porte désignée
<b>Œufs</b>	1 mois	Sur l'étagère à œufs désignée
<b>Plats cuisinés</b>	2 jours	Toutes les étagères

**REMARQUE:**



Les pommes de terre, les oignons et l'ail ne doivent pas être conservés au réfrigérateur.

## 4.2 Compartiment congélateur

Pour des conditions de fonctionnement normales, réglez la température du compartiment congélateur entre 0° et -4 oF.

- Le congélateur est utilisé pour stocker des produits congelés aliments, congeler des aliments frais et préparer glaçons.
  - Les aliments sous forme liquide doivent être congelés dans les gobelets en plastique et autres aliments doivent être congelés dans des feuilles ou des sacs en plastique. Pour congeler des aliments frais ; emballer et sceller les aliments frais la nourriture correctement, c'est l'emballage doit être hermétique et ne pas fuir.  
Sacs de congélation spéciaux, papier aluminium sacs en polyéthylène et conteneurs en plastique sont idéales.
  - Ne stockez pas d'aliments frais à côté d'aliments surgelés. aliments, car cela peut provoquer des aliments congelés décongeler.
  - Avant de congeler des aliments frais, divisez-les en portions qui peuvent être consommées en une seule fois séance.
  - Consommez les aliments surgelés décongelés dans un délai courte période de temps après la décongélation
  - Suivez toujours les instructions du fabricant instructions sur l'emballage des aliments lorsque stocker des aliments congelés. Si aucune instruction n'est à condition de ne pas conserver les aliments plus longtemps plus de trois mois à compter de la date de achat.
- Lorsque vous achetez des aliments surgelés, assurez-vous qu'il a été stocké dans des conditions appropriées conditions et que l'emballage n'est pas endommagé.
  - Les aliments congelés doivent être transportés dans des conteneurs appropriés et placés dans le congélateur dès que possible.
  - N'achetez pas d'aliments surgelés si le l'emballage présente un gonflement anormal, comme cela peut indiquer qu'il a été stocké dans un température et contenu inadapts pourrait être gâché.
  - La durée de conservation des aliments surgelés dépend sur la température ambiante, les réglages du thermostat, la fréquence à laquelle la porte est ouverte, le type de la nourriture et le temps nécessaire pour la transporter du magasin à votre domicile. Toujours suivez les instructions sur l'emballage et ne dépassez pas la capacité de stockage maximale heure indiquée.
  - Si la porte du congélateur a été laissée ouverte pendant longtemps ou mal fermé, gel se formera et peut empêcher l'air efficace circulation. Dans ce cas, débranchez le congélateur et laissez-le décongeler complètement. Nettoyez le congélateur une fois qu'il est complètement décongelé.
  - Le volume du congélateur indiqué sur l'étiquette est la capacité sans paniers, couvercles ou autres accessoires.
  - Ne recongelez pas les aliments décongelés, car ils peuvent présenter des risques pour la santé, comme une intoxication alimentaire.

**REMARQUE :** Si vous essayez d'ouvrir la porte du congélateur immédiatement après l'avoir fermée, vous constaterez qu'elle ne s'ouvre pas facilement. C'est normal. Une fois l'équilibre atteint, la porte s'ouvre facilement.



Le tableau ci-dessous est un guide rapide pour vous montrer la manière la plus efficace de stocker les principaux groupes d'aliments dans votre compartiment congélateur.

Viande et poisson	Préparation	Durée de stockage maximale (mois)
Steak	Envelopper dans du papier aluminium	6 - 8
Viande d'agneau	Envelopper dans du papier aluminium	6 - 8
Rôti de veau	Envelopper dans du papier aluminium	6 - 8
Cubes de veau	En petits morceaux	6 - 8
Cubes d'agneau	En morceaux	4 - 8
Viande hachée	Dans un emballage sans utiliser d'épices	1 - 3
Abats (morceaux)	En morceaux	1 - 3
Saucisse de Bologne/salami	Doit être conservé emballé même s'il est doté d'une membrane	1 - 3
Poulet et dinde	Envelopper dans du papier aluminium	4 - 6
Oie et canard	Envelopper dans du papier aluminium	4 - 6
Cerf, lapin, sanglier	En portions de 5,5 lb ou en filets	6 - 8
Poissons d'eau douce (Saumon, Carpe, Grue, Poisson-chat)	Après avoir nettoyé les entrailles et les écailles du poisson, lavez-le et séchez-le. Si nécessaire, retirez la queue et la tête.	2
Poisson maigre (bar, turbot, Patauger)		4
Poissons gras (thon, Maquereau, tassergal, Anchois)		2 - 4
Fruits de mer	Propre et dans un sac	4 - 6
Caviar	Dans son emballage, ou dans un récipient en aluminium ou en plastique	2 - 3
Escargots	Dans de l'eau salée ou dans un récipient en aluminium ou en plastique	3



**REMARQUE :** La viande congelée décongelée doit être cuite comme de la viande fraîche. Si la viande n'est pas cuite après décongélation, elle ne doit pas être recongelée.




Légumes et fruits	Préparation	Durée de stockage maximale (mois)
Haricots verts et haricots	Laver, couper en petits morceaux et faire bouillir dans l'eau	10 - 13
Haricots	Décortiquer, laver et faire bouillir dans l'eau	12
Chou	Nettoyer et faire bouillir dans l'eau	6 - 8
Carotte	Nettoyer, couper en tranches et faire bouillir dans l'eau	12
Poivre	Coupez la tige, coupez-la en deux morceaux, retirez le noyau et faites-la bouillir dans de l'eau	8 - 10
Épinard	Laver et faire bouillir dans l'eau	6 - 9
Chou-fleur	Retirez les feuilles, coupez le cœur en morceaux et laissez-le dans de l'eau avec un peu de jus de citron pendant un moment	10 - 12
Aubergine	Couper en morceaux de 1 pouce après le lavage	10 - 12
Maïs	Nettoyer et emballer avec sa tige ou comme du maïs doux	12
Pomme et poire	Peler et trancher	8 - 10
Abricot et pêche	Couper en deux morceaux et retirer le noyau	4 - 6

Légumes et fruits	Préparation	Durée de stockage maximale (mois)
Fraise et Mûre	Laver et décortiquer	8 - 12
Fruits cuits	Ajoutez 10 % de sucre dans le récipient	12
Prune, cerise, myrtille Lavez et équeutez les tiges		8 - 12

	Durée maximale de stockage (mois)	Temps de décongélation à température ambiante (heures)	Temps de décongélation au four (minutes)
Pain	4 - 6	2 - 3	4-5 (428-437 °F)
Biscuits	3 - 6	1 - 1,5	5-8 (374-392 °F)
Pâtisserie	1 - 3	2 - 3	5-10 (392-437 °F)
Tarte	1 - 1,5	3 - 4	5-8 (374-392 °F)
Pâte phyllo	2 - 3	1 - 1,5	5-8 (374-392 °F)
Pizza	2 - 3	2 - 4	15-20 (392 °F)

Produits laitiers	Préparation	Durée maximale de stockage (mois)	Conditions de stockage
Paquet (homogénéisé) Lait	Dans son propre paquet	2 - 3	Lait pur – dans son propre emballage
Fromage - hors fromage blanc	En tranches	6 - 8	L'emballage d'origine peut être utilisé pour un stockage à court terme. <small>Conserver enveloppé dans du papier aluminium pendant une période plus longue.</small>
Beurre, margarine	Dans son emballage	6	-

## 5 NETTOYAGE ET ENTRETIEN

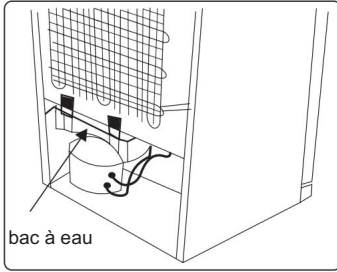
-  Débranchez l'appareil de l'alimentation électrique avant de le nettoyer.
-  Ne lavez pas votre appareil en versant de l'eau dessus.
-  N'utilisez pas de produits abrasifs, de détergents ou de savons pour nettoyer l'appareil. Après le lavage, rincez-le à l'eau claire et séchez-le soigneusement. Une fois le nettoyage terminé, rebranchez la fiche sur le secteur avec les mains sèches.

- Assurez-vous qu'aucune eau ne pénètre dans la lampe boîtier et autres composants électriques.
- L'appareil doit être nettoyé en utilisant régulièrement une solution de bicarbonate de soda et d'eau tiède.
- Nettoyez les accessoires séparément en mains avec de l'eau et du savon. Ne pas laver accessoires dans un lave-vaisselle.
- Nettoyez le condenseur avec une brosse à au moins deux fois par an. Cela vous aidera à économiser sur les coûts énergétiques et augmenter productivité.



**L'alimentation électrique doit être débranchée pendant le nettoyage.**

## 5.1 Décongélation



- Votre appareil effectue un réglage automatique dégivrage. L'eau formée à la suite du dégivrage passe par le bec de récupération d'eau, s'écoule dans le bac à eau situé derrière votre appareil et s'y évapore.
- Assurez-vous d'avoir déconnecté le Débranchez la prise de votre appareil avant de nettoyer le bac à eau.
- Retirez le bac à eau de son emplacement en retirant les vis (s'il est doté de vis). Nettoyez-le à l'eau savonneuse à intervalles réguliers. Cela évitera la formation d'odeurs.

### Remplacement de l'éclairage LED

Pour remplacer l'une des LED, veuillez contacter le centre de service agréé le plus proche.



Remarque : le nombre et l'emplacement des bandes LED peuvent changer selon le modèle.

## 6 EXPÉDITION ET REPOSITIONNEMENT

### 6.1 Transport et Changement de Positionnement

- L'emballage d'origine et la mousse peuvent être conservés pour le réacheminement (facultatif).
- Fixez votre appareil avec des vis épaisses
  - Enlevez toutes les pièces mobiles ou fixez-les contre les chocs à l'aide de sangles lors du repositionnement ou du transport.



Transportez toujours votre appareil en position verticale.

### 6.2 Inversion du sens d'ouverture de la porte

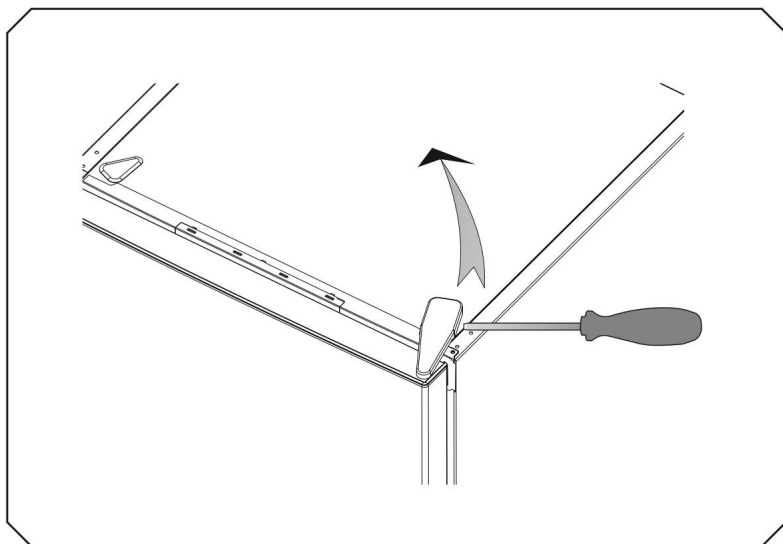
**Poignées avant** : Vous ne pouvez pas inverser la porte si les poignées sont installées à l'avant de l'appareil.

**Poignées latérales ou pas de poignées** : vous pouvez inverser la porte sur les modèles dotés de poignées latérales ou pas de poignées du tout.

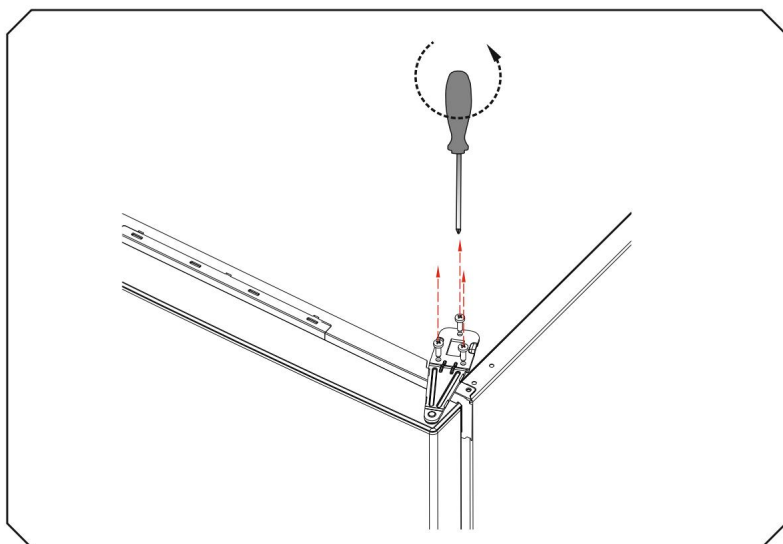
**Portes non réversibles** : Si la porte de votre appareil n'est pas réversible, veuillez contacter le centre de service agréé le plus proche pour obtenir de l'aide.

### 6.3 Instructions pour Inverser le Sens d'Ouverture de la Porte

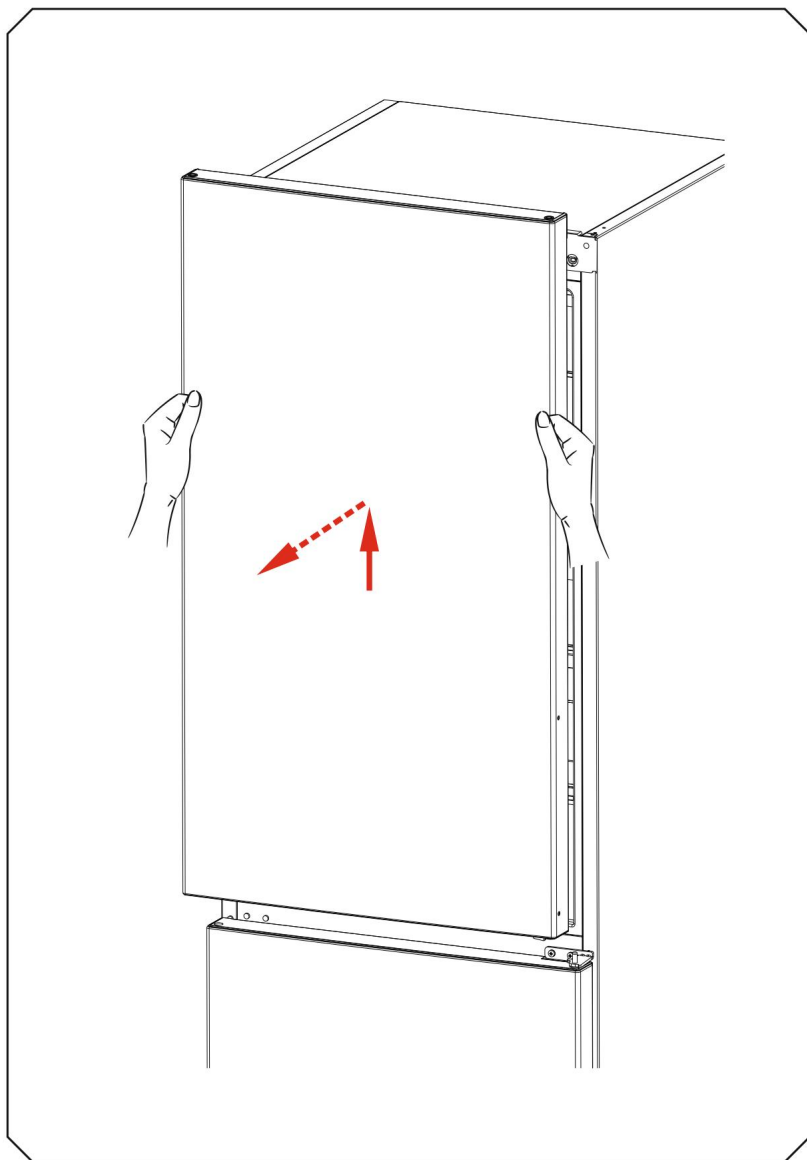
1. Retirez le couvercle de la charnière supérieure.



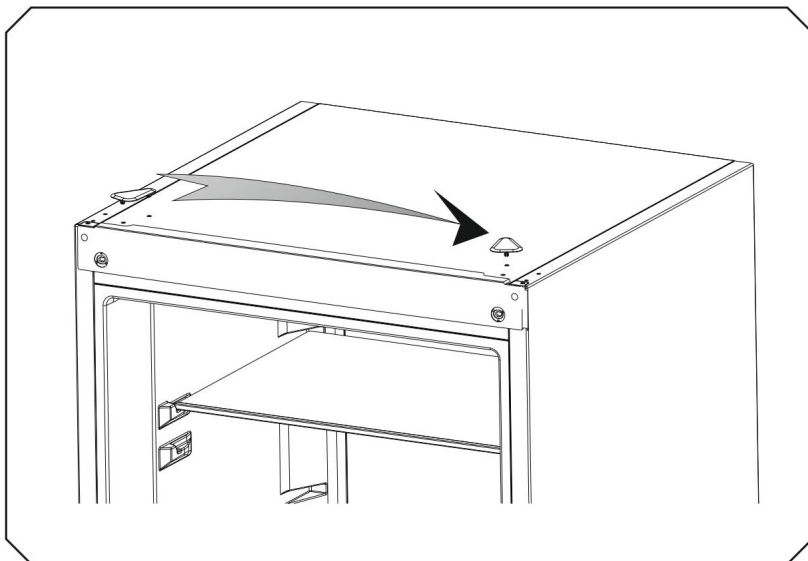
2. Dévissez la charnière supérieure et mettez-la de côté.



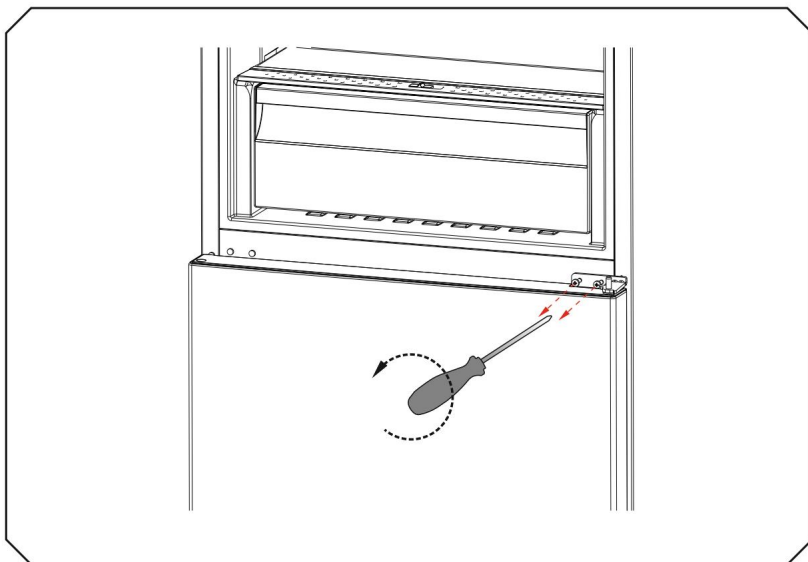
3. Soulevez la porte du réfrigérateur vers le haut et vers l'avant pour la détacher de la goupille.



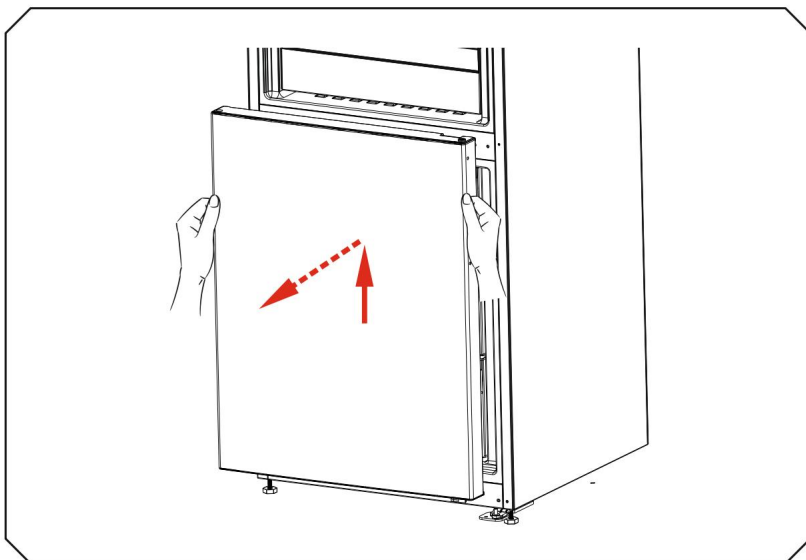
4. Repositionnez le couvercle de la charnière supérieure.



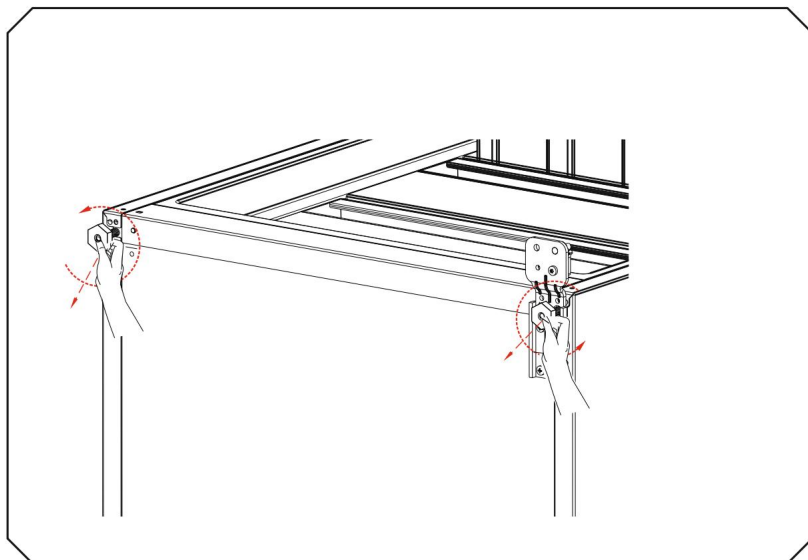
5. Dévissez la charnière centrale. Mettez-la de côté.



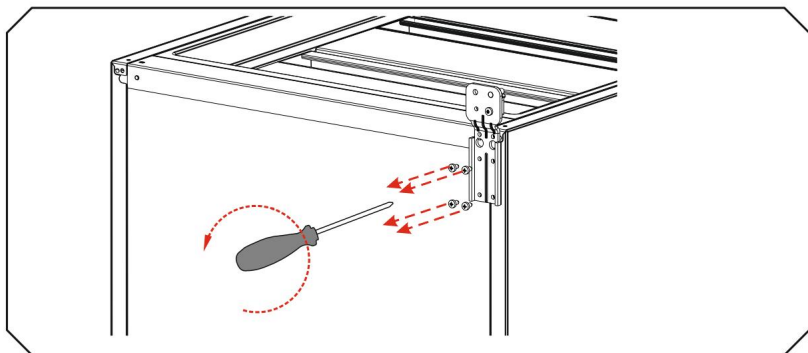
6. Soulevez la porte du congélateur vers le haut et vers l'avant pour la retirer de la goupille.



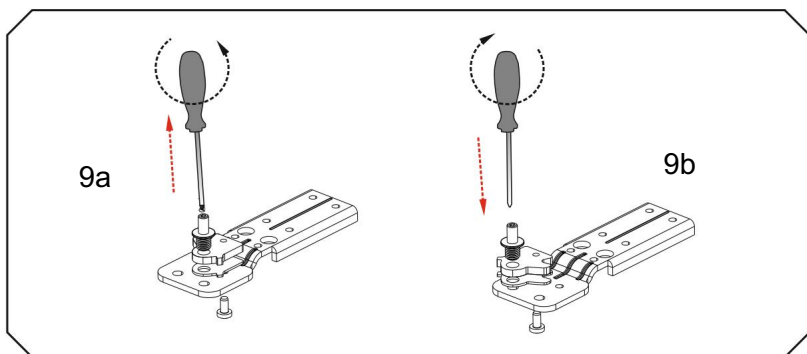
7. Dévissez les deux pieds.



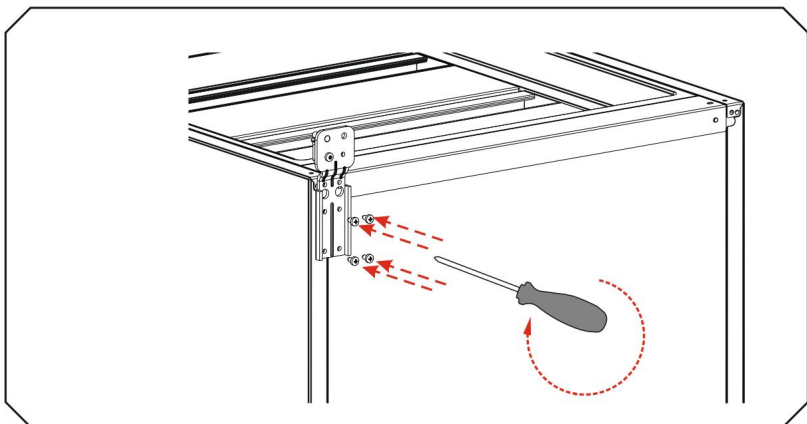
8. Dévissez la charnière inférieure.



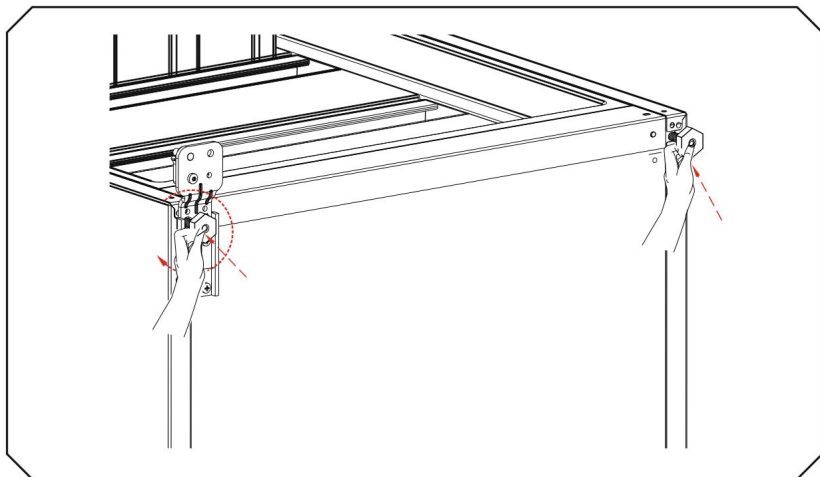
9. Détachez la goupille de la charnière inférieure et déplacez-la vers le trou opposé.



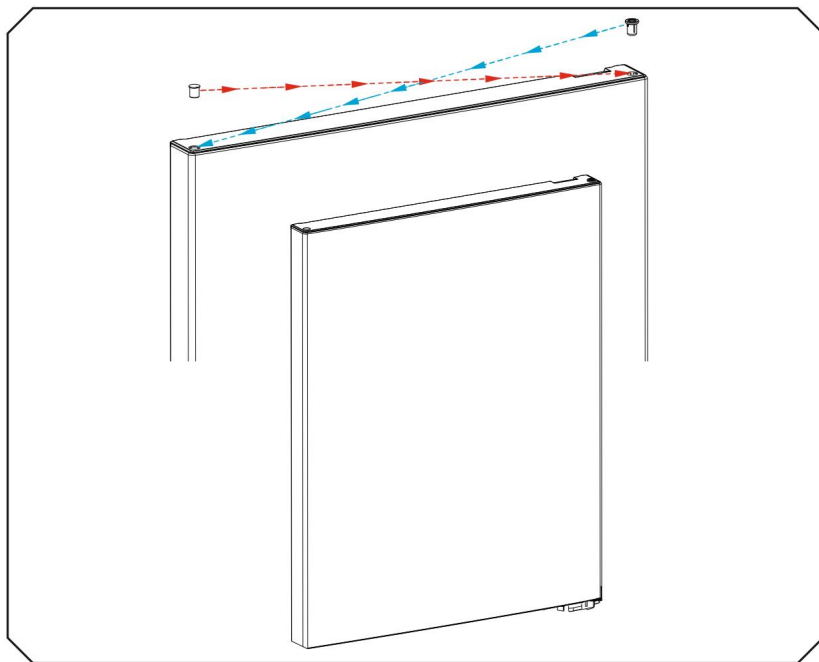
10. Déplacez la charnière inférieure sur le côté opposé.



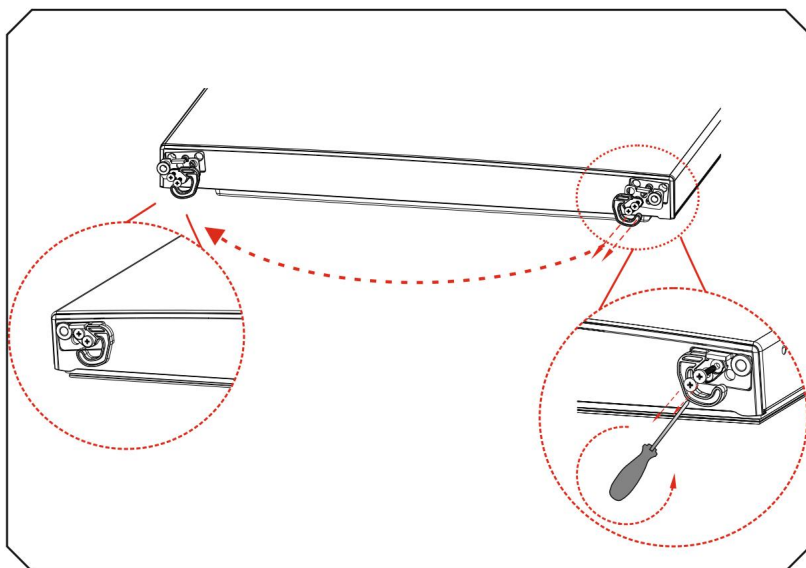
11. Remettez les pieds en place.



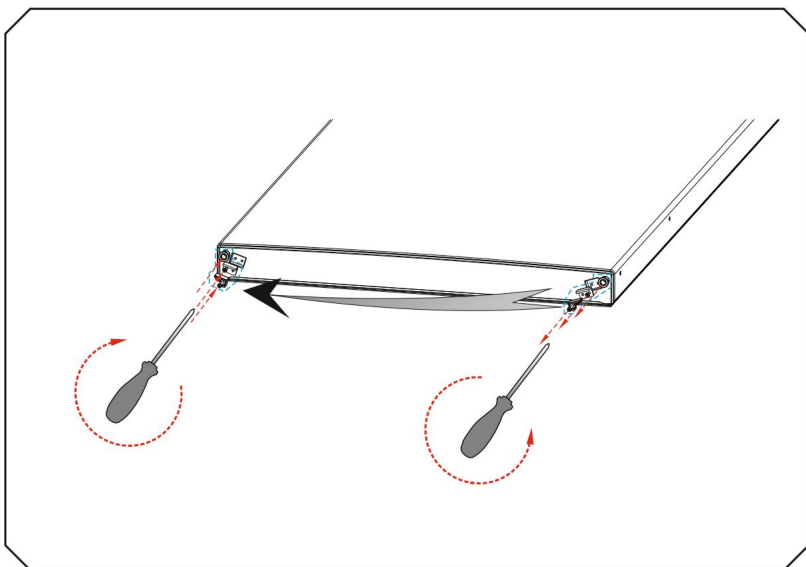
12. Basculez le couvercle du capuchon de porte supérieur sur le côté opposé de la porte.



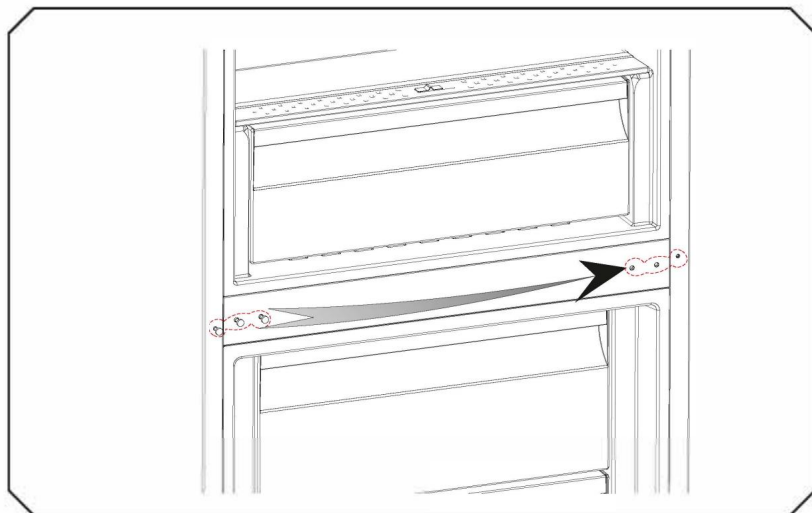
13. Dévissez la charnière inférieure de la porte du réfrigérateur vers le côté opposé. Assurez-vous que la charnière est inversée.



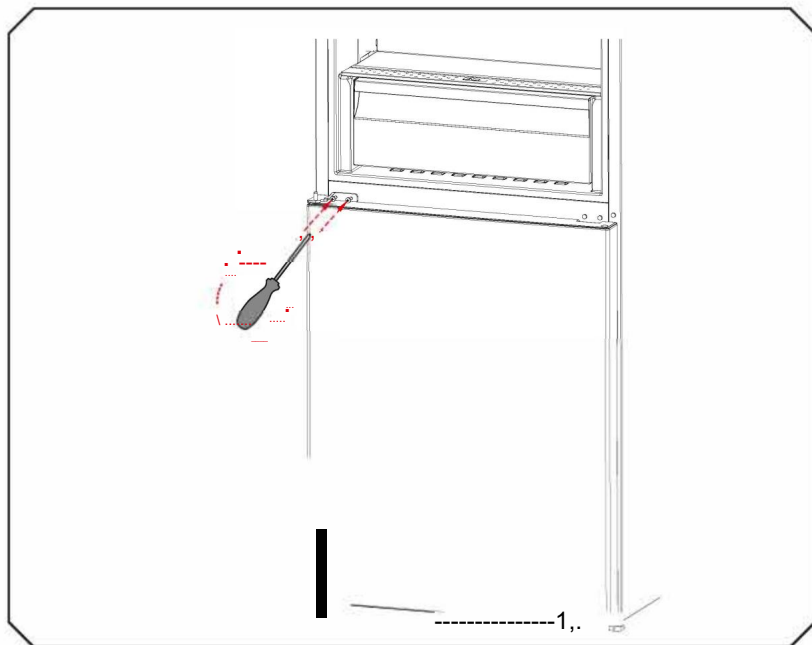
14. Fixez la charnière sur le côté opposé de la porte.



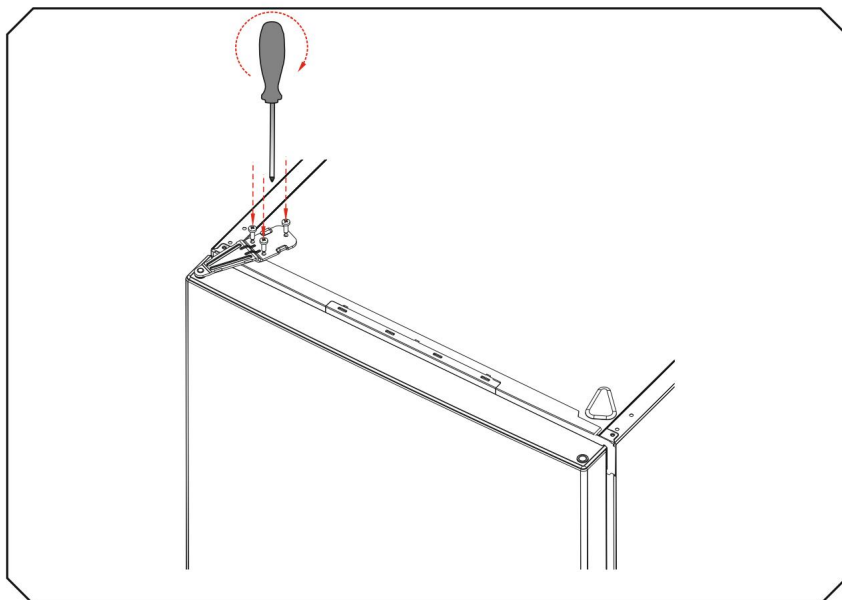
15. Repositionnez les broches du milieu sur le côté opposé.



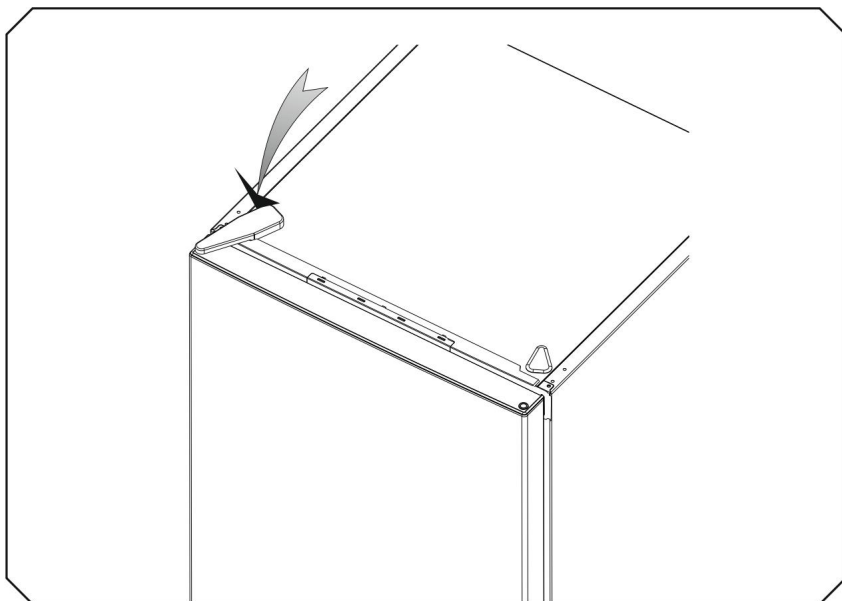
16. Remettez la porte du congélateur en place et fixez la charnière centrale à l'appareil.



17. Fixez la charnière supérieure sur le dessus de l'unité.



18. Remettez le cache de la charnière en place. Assurez-vous qu'il s'enclenche.



## 7 CONSEILS POUR ÉCONOMISER DE L'ÉNERGIE

- Installez l'appareil dans une pièce fraîche et bien aérée, mais pas en plein soleil et pas à proximité d'une source de chaleur (comme un radiateur ou un four), sinon une plaque isolante doit être utilisée.
- Laissez refroidir les aliments et boissons chauds avant de les placer à l'intérieur de l'appareil.
- Décongelez les aliments surgelés dans le compartiment réfrigérateur. Le froid des aliments aidera à maintenir une température fraîche dans le réfrigérateur afin d'économiser de l'énergie. La décongélation à l'extérieur de l'appareil peut gaspiller de l'énergie.
- Les boissons ou autres liquides doivent être couverts à l'intérieur de l'appareil. S'il est laissé découvert, l'humidité à l'intérieur de l'appareil augmentera et l'appareil consommera donc plus d'énergie. Garder les boissons et autres liquides couverts permet de préserver leur odeur et leur goût.
- Évitez de laisser les portes ouvertes pendant de longues périodes ou de les ouvrir trop fréquemment. Cela permet à l'air chaud de pénétrer dans l'appareil, provoquant l'activation du compresseur plus souvent que nécessaire.
- Gardez les couvercles des différents compartiments de température (tels que le bac à légumes et le refroidisseur si disponibles) fermés.
- Le joint de porte doit être propre et souple. En cas d'usure, remplacer le joint.
- Le produit peut être utilisé sans clapet de machine à glaçons. La consommation d'énergie est déclarée selon cette option.

## Recommandations

- Si l'appareil est éteint ou débranché, attendez au moins 5 minutes avant de brancher l'appareil ou de le redémarrer afin d'éviter d'endommager le compresseur.
- Si vous n'utilisez pas votre appareil pendant une longue période (par exemple pendant les vacances d'été), débranchez-le. Nettoyez votre appareil conformément au chapitre nettoyage et laissez la porte ouverte pour éviter l'humidité et les odeurs.
- L'appareil que vous avez acheté est conçu pour un usage domestique uniquement. Il ne convient pas à un usage commercial ou courant. Si le consommateur utilise l'appareil d'une manière non conforme, nous soulignons que le fabricant et le revendeur ne seront pas responsables des réparations et des pannes pendant la période de garantie period.

## 8 CODES D'ERREUR

### Erreurs

Votre réfrigérateur vous avertit si les températures du réfrigérateur et du congélateur sont à des niveaux inappropriés ou si un problème survient avec l'appareil. Des codes d'avertissement s'affichent sur les indicateurs du congélateur et du réfrigérateur.

TYPE D'ERREUR	SIGNIFICATION	POURQUOI	CE QU'IL FAUT FAIRE
<b>E01</b>	Avertissement du capteur		Appelez le service d'assistance dès que possible.
<b>E02</b>	Avertissement du capteur		Appelez le service d'assistance dès que possible.
<b>E03</b>	Avertissement du capteur		Appelez le service d'assistance dès que possible.
<b>E06</b>	Avertissement du capteur		Appelez le service d'assistance dès que possible.
<b>E07</b>	Avertissement du capteur		Appelez le service d'assistance dès que possible.
<b>E09</b>	Le compartiment congélateur n'est pas assez froid	Susceptible de se produire après une panne de courant prolongée.	<ol style="list-style-type: none"> <li>Réglez la température du congélateur sur une valeur plus froide ou sur Super Freeze. Cela devrait supprimer le code d'erreur une fois la température requise atteinte. Gardez les portes fermées pour améliorer le temps nécessaire pour atteindre la température correcte.</li> <li>Retirez tous les produits qui ont décongelé/décongelé pendant cette erreur. Ils doivent être utilisés dans un court laps de temps.</li> <li>N'ajoutez aucun produit frais dans le compartiment congélateur tant que la température correcte n'a pas été atteinte et que l'erreur n'est plus présente.</li> </ol> <p>Si cet avertissement persiste, un technicien agréé doit être contacté.</p>
<b>E10</b>	Le compartiment réfrigérateur n'est pas assez froid	<p>Susceptible de se produire après :</p> <ul style="list-style-type: none"> <li>- Panne de courant de longue durée.</li> <li>- Des aliments chauds ont été laissés dans le réfrigérateur.</li> </ul>	<ol style="list-style-type: none"> <li>Réglez la température du réfrigérateur sur une valeur plus froide ou réglez le mode Super Cool. Cela devrait supprimer le code d'erreur une fois la température requise atteinte. Gardez les portes fermées pour améliorer le temps nécessaire pour atteindre la bonne température.</li> <li>Veillez vider l'emplacement situé à l'avant des trous du conduit d'air et évitez de placer des aliments à proximité du capteur.</li> </ol> <p>Si cet avertissement persiste, un technicien agréé doit être contacté.</p>

TYPE D'ERREUR	SIGNIFICATION	POURQUOI	CE QU'IL FAUT FAIRE
<b>E11</b>	Le compartiment réfrigérateur est trop froid	Divers	<ol style="list-style-type: none"> <li>1. Vérifiez que le mode Super Cool est activé</li> <li>2. Réduisez la température du compartiment réfrigérateur</li> <li>3. Vérifiez si les événements sont dégagés et non obstrués</li> </ol> <p>Si cet avertissement persiste, un technicien agréé doit être contacté.</p>

Si vous avez vérifié les informations ci-dessus et que vous avez toujours besoin d'aide avec votre appareil, appelez notre! Appelez le service clientèle au **800-932-4267** (poste **513**) entre 9 h et 17 h HE ou visitez notre site Web **[summitappliance.com/support](http://summitappliance.com/support)** à tout moment. Nous ferons de notre mieux pour répondre à vos questions.

## 8 DÉPANNAGE

Si vous rencontrez un problème avec votre appareil, veuillez vérifier les points suivants avant de contacter le service après-vente.

PROBLÈME	CAUSES POSSIBLES	SOLUTION
Votre appareil ne fonctionne pas	Il n'y a pas d'électricité.	Vérifiez que l'alimentation électrique du bâtiment est active. Contactez votre fournisseur d'électricité en cas de panne.
	La fiche n'est pas correctement placée dans la prise.	Débranchez soigneusement l'appareil, puis rebranchez-le en vous assurant qu'il est bien inséré dans la prise.
	La prise est défectueuse.	Essayez de brancher un autre appareil fonctionnel sur la même prise.
	Le fusible de la prise ou le fusible secteur a sauté.	Si les problèmes persistent ou si vous n'êtes pas sûr d'une étape, contactez un électricien qualifié pour un diagnostic et une réparation plus approfondis.
L'appareil fonctionne mal	L'appareil est surchargé.	Retirez les aliments qui ne sont pas indispensables. Assurez-vous qu'il y a suffisamment d'espace pour que l'air puisse circuler autour des aliments.
	La porte de l'appareil n'est pas correctement fermée.	Assurez-vous qu'aucun aliment ou récipient n'empêche la porte de se fermer complètement.  Inspectez le joint en caoutchouc autour de la porte pour déceler toute déchirure, saleté ou dommage. Nettoyez-le avec de l'eau chaude savonneuse et assurez-vous qu'il est bien étanche contre le réfrigérateur.
	Il y a de la poussière sur le condenseur.	Utilisez un aspirateur muni d'une brosse pour retirer délicatement la poussière et les débris des serpentins. Veillez à ne pas endommager les serpentins. Débranchez toujours le réfrigérateur avant de nettoyer le condenseur.
	Il n'y a pas assez d'espace près des parois arrière et latérales.	Consultez le manuel de votre réfrigérateur pour connaître les distances de dégagement recommandées.  Retirez tous les meubles, appareils ou objets susceptibles de bloquer la ventilation du réfrigérateur.
Votre appareil fonctionne de manière bruyante. Voici quelques bruits courants :		Il est normal que l'appareil fasse du bruit. Si les bruits persistent ou semblent anormaux, pensez à contacter le support technique pour une inspection approfondie.
Bruit de craquement	Lors du dégivrage automatique. Ou lorsque l'appareil est refroidi ou réchauffé (en raison de la dilatation du matériau de l'appareil).	
Bruit de craquement bref	Lorsque le thermostat allume/éteint le compresseur.	
Bruit moteur	Indique que le compresseur fonctionne normalement. Le compresseur peut être plus bruyant pendant une courte période lorsqu'il est activé pour la première fois.	
Des bruits de bouillonnement et des éclaboussures se produisent	En raison du flux du réfrigérant dans les tubes du système.	
Bruit d'eau qui coule	En raison de l'écoulement d'eau vers le récipient d'évaporation. Ce bruit est normal pendant le dégivrage.	
Bruit de soufflage d'air	Dans certains modèles, lors du fonctionnement normal du système, cela est dû à la circulation de l'air.	
Les bords de l'appareil en contact avec le joint de la porte sont chauds	Surtout pendant l'été (saisons chaudes), les surfaces en contact avec le joint de porte peuvent devenir plus chaudes pendant le fonctionnement du compresseur, c'est normal.	Ceci est normal. Si le problème persiste, pensez à contacter le support technique pour vérifier d'éventuels problèmes d'isolation ou d'autres problèmes sous-jacents.

Il y a une accumulation d'humidité à l'intérieur de l'appareil	La porte de l'appareil est ouverte fréquemment. L'humidité de la pièce pénètre dans l'appareil lorsque les portes sont ouvertes. L'humidité augmente plus rapidement lorsque les portes sont ouvertes plus fréquemment, en particulier si l'humidité de la pièce est élevée.	Limitez le nombre de fois où la porte est ouverte et assurez-vous qu'elle est bien fermée à chaque fois.  Assurez-vous que tous les aliments sont bien emballés et que les récipients sont secs avant de les placer dans l'appareil.
La porte ne s'ouvre pas ou ne se ferme pas correctement	Il y a de la nourriture ou un emballage qui empêche la porte de se fermer.	Vérifiez qu'aucun aliment ou emballage ne bloque la porte et réorganisez ou retirez les éléments pour vous assurer qu'elle se ferme correctement. Rangez régulièrement le réfrigérateur pour éviter toute obstruction future.
	Les joints de porte sont cassés ou déchirés.	Remplacez tous les joints de porte cassés ou déchirés pour assurer une bonne étanchéité et maintenir l'efficacité du réfrigérateur.
	Votre appareil n'est pas posé sur une surface plane.	Réglez les pieds de l'appareil pour vous assurer qu'il est sur une surface plane pour des performances optimales.

Si vous avez vérifié les informations ci-dessus et que vous avez toujours besoin d'aide avec votre appareil, appelez notre service clientèle au **800-932-4267** (poste **513**) entre 9 h et 17 h HE ou visitez notre site Web **summitappliance.com/support** à tout moment. Nous ferons de notre mieux pour répondre à vos questions.

# GARANTIE LIMITÉE

## GARANTIE LIMITÉE D'UN AN

Dans les 48 États contigus des États-Unis, pendant un an à compter de la date d'achat, lorsque cet appareil est utilisé et entretenu conformément aux instructions jointes ou fournies avec le produit, le garant paiera les pièces spécifiées par l'usine et la main-d'œuvre pour corriger les défauts de matériaux, ou de fabrication. Le service doit être fourni par une société de services désignée. En dehors des 48 États, toutes les pièces sont garanties un an contre les défauts de fabrication. Les pièces, étagères et armoires en plastique sont garanties comme étant fabriquées selon des normes commercialement acceptables et ne sont pas couvertes contre les dommages lors de la manipulation ou la casse.

## GARANTIE DE 5 ANS SUR LE COMPRESSEUR

1. Le compresseur est couvert pendant 5 ans.
2. Le remplacement n'inclut pas la main d'œuvre.

### LE GARANT DES ARTICLES NE PAIERA PAS :

1. Appels de service pour corriger l'installation de votre appareil, pour vous expliquer comment utiliser votre appareil, pour remplacer ou réparer des fusibles ou pour corriger le câblage ou la plomberie.
2. Appels de service pour réparer ou remplacer les ampoules des appareils électroménagers ou les étagères cassées. Les pièces consommables (telles que les filtres) sont exclues de la couverture de garantie.
3. Dommages résultant d'un accident, d'une modification, d'une mauvaise utilisation, d'un abus, d'un incendie, d'une inondation, d'une catastrophe naturelle, d'une mauvaise installation, d'une installation non conforme aux codes d'électricité ou de plomberie ou de l'utilisation de produits non approuvés par le garant.
4. Coûts des pièces de rechange ou de la main-d'œuvre de réparation pour les unités exploitées en dehors des États-Unis.
5. Réparations de pièces ou de systèmes résultant de modifications non autorisées apportées à l'appareil.
6. Le retrait et la réinstallation de votre appareil s'il est installé dans un endroit inaccessible ou s'il n'est pas installé conformément aux instructions d'installation publiées.

### EXCLUSION DE GARANTIES IMPLICITES ; LIMITATION DES RECOURS

LE SEUL ET UNIQUE RECOURS DU CLIENT EN VERTU DE CETTE GARANTIE LIMITÉE EST LA RÉPARATION DU PRODUIT COMME PRÉVU DANS LES PRÉSENTES. LES GARANTIES IMPLICITES, Y COMPRIS LES GARANTIES DE QUALITÉ MARCHANDE OU D'ADAPTATION À UN USAGE PARTICULIER, SONT LIMITÉES À UN AN. LE GARANT NE SERA PAS RESPONSABLE DES DOMMAGES ACCESSOIRES OU CONSÉCUTIFS. CERTAINS ÉTATS N'AUTORISENT PAS L'EXCLUSION OU LA LIMITATION DES DOMMAGES ACCESSOIRES OU CONSÉCUTIFS, OU LES LIMITATIONS SUR LA DURÉE DES GARANTIES IMPLICITES DE QUALITÉ MARCHANDE OU D'ADAPTATION, CES EXCLUSIONS OU LIMITATIONS PEUVENT DONC NE PAS S'APPLIQUER À VOUS. CETTE GARANTIE VOUS DONNE DES DROITS LÉGAUX SPÉCIFIQUES ET VOUS POUVEZ ÉGALEMENT AVOIR D'AUTRES DROITS, QUI VARIENT D'UN ÉTAT À L'AUTRE.



**AVERTISSEMENT** : ce produit peut vous exposer à des produits chimiques, notamment le phtalate de diisononyle (DINP), reconnu par l'État de Californie comme étant cancérigène. Pour plus d'informations, rendez-vous sur [www.P65Warnings.ca.gov](http://www.P65Warnings.ca.gov)



**AVERTISSEMENT** : Ce produit peut contenir des produits chimiques, notamment du poison mortel (DINP), reconnus par l'État de Californie comme pouvant provoquer le cancer. Pour plus d'informations, visitez [www.P65Warnings.ca.gov](http://www.P65Warnings.ca.gov)

Félix Storch, Inc.  
Une société enregistrée ISO 9001:2015  
770 Garrison Ave  
Bronx, New York 10474  
[www.summitappliance.com](http://www.summitappliance.com)

# SUMMIT®

Pour la commande de pièces et d'accessoires, le dépannage et des conseils utiles, visitez :  
[www.summitappliance.com/support](http://www.summitappliance.com/support)



52525485

