

SENCOR®



SFP 2608

User's manual

MP3 PLAYER

EN

Before operating this unit, please read all instructions.

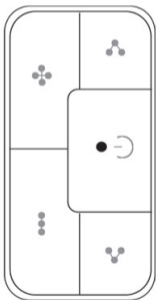
DECLARATION

First of all, thank you for using our MP3 digital player.

Before using please read this manual instruction carefully to operate unit properly. There may be alteration in the content of this manual. There will be no separate notice in the case of any changes in the performance and functions of this product.

If some sets and procedure are not identical, please take the real unit as standard.

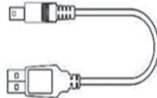
Packages Material



Mp3



Earphone



USB

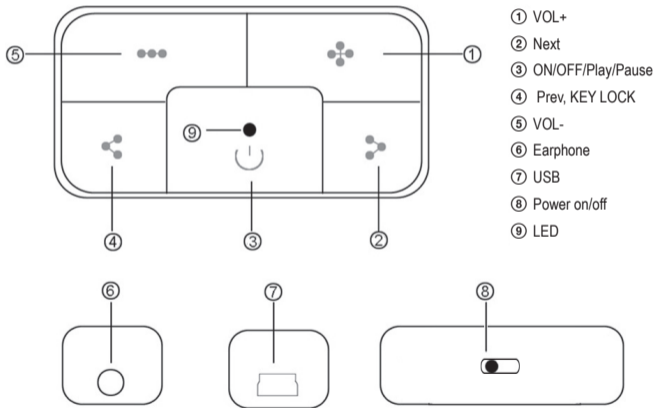


Manual

Major Function

- It supports the music format of MP3/WMA
- Built-in rechargeable battery

BUTTONS



KEYS OPERATION:

No.	Key	Key Function
①	VOL+	Volume up
②	NEXT	Next item
③	OFF/ON	Short press: Play/Pause music ; Long press: Power on/off
④	PREV, KEY LOCK	Last item
⑤	VOL-	Volume down
⑧	Power on/off	Connect or disconnect the power supply
⑨	LED	The LED light

AUDIO PLAY

1. Put the earphone into the earphone slot.
2. Open the power supply.
3. Play/Pause music:
Short press "PLAY/PAUSE" key to play/ pause music
4. Select music:
PRE: Short press PREV key to select previous track
NEXT: Short press NEXT key to select next track
5. Control volume:
Short press VOL- to turn down the volume.
Short press VOL+ to turn up the volume.
6. For KEY LOCK press PREV and hold for two seconds.
7. When you turn off the player while listening to music.
If you want to continue with listening from the same point, you must turn the player off and on using the ON/OFF No. 3 button.

SPECIFICATIONS

Product Specification		
Item		Specification
Music	Format	MP3/WMA
	Bit rate	8~320kbps
Volume		50×22×12mm
Weight		10g
Battery	Power	Renewable lithium battery

RECYCLING



This symbol indicates that the relevant electrical product or battery should not be disposed of as general household waste in Europe. To ensure the correct waste treatment of the product and battery, please dispose them in accordance to any applicable local laws of requirement for disposal of electrical equipment or batteries.

In so doing, you will help to conserve natural resources and improve standards of environmental protection in treatment and disposal of electrical waste (Waste Electrical and Electronic Equipment Directive).

CE MARKING

This product complies with EU requirements.



Changes in the text, design and technical specifications may be made without prior notice and we reserve the right to make such changes.

The original version is in Czech.

Address of the manufacturer: FAST ČR, a.s., Černokostelecká 1621, Říčany CZ-251 01

SENCOR®

EN Warranty conditions

Warranty card is not a part of the device packaging.

This product is warranted for the period of 24 months from the date of purchase to the end-user. Warranty is limited to the following conditions. Warranty is referred only to the customer goods using for common domestic use. The claim for service can be applied either at dealer's shop where the product was bought, or at below mentioned authorized service shops. The end-user is obligated to set up a claim immediately when the defects appeared but only till the end of warranty period. The end user is obligated to cooperate to certify the claiming defects. Only completed and clean (according to hygienic standards) product will be accepted. In case of eligible warranty claim the warranty period will be prolonged by the period from the date of claim application till the date of taking over the product by end-user, or the date the end-user is obligated to take it over. To obtain the service under this warranty, end-user is obligated to certify his claim with duly completed following documents: receipt, certificate of warranty, certificate of installation.

This warranty is void especially if apply as follows:

- Defects which were put on sale.
- Wear-out or damage caused by common use.
- The product was damaged by unprofessional or wrong installation, used in contrary to the applicable instruction manual, used in contrary to legal enactment and common process of use or used for another purpose which has been designed for.
- The product was damaged by uncared-for or insufficient maintenance.

- The product was damaged by dirt, accident of force majeure (natural disaster, fire, and flood).
- Defects on functionality caused by low duality of signal, electromagnetic field interference etc.
- The product was mechanically damaged (e.g. broken button, fall).
- Damage caused by use of unsuitable media, fillings, expendable supplies (batteries) or by unsuitable working conditions (e.g. high temperatures, high humidity, quakes).
- Repair, modification or other failure action to the product by unauthorized person.
- End-user did not prove enough his right to claim (time and place of purchase).
- Data on presented documents differs from data on products.
- Cases when the claiming product cannot be indentified according to the presented documents (e.g. the serial number or the warranty seal has been damaged).

Authorized service centers

Visit www.sencor.com for detailed information about authorized service centers.