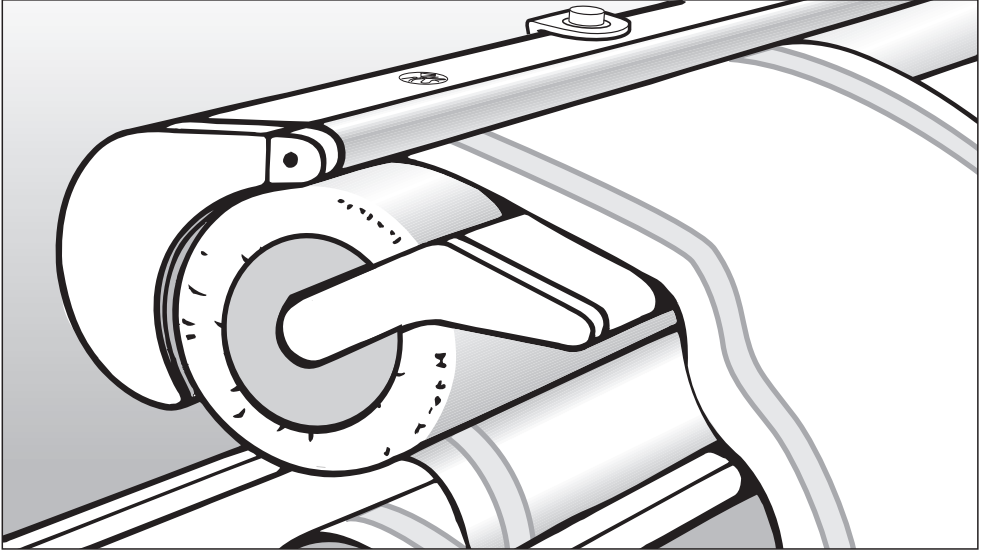


**Miele**



# Operating Instructions

## Rotary Iron

### HM 16-80

---

To prevent accidents  
and machine damage  
read these instructions  
**before**  
installation or use.

en - US

M.-Nr. 10 232 672

# Contents

---

<b>IMPORTANT SAFETY INSTRUCTIONS</b> . . . . .	4
<b>Guide to the Rotary Iron</b> . . . . .	7
<b>Moving and folding the appliance</b> . . . . .	9
Transport strut . . . . .	9
<b>Before using for the first time</b> . . . . .	11
Preparing the work area . . . . .	13
Preparing the laundry . . . . .	13
Testing the finger guard . . . . .	14
<b>Steam setting</b> . . . . .	15
Filling the water reservoir . . . . .	15
Emptying the water reservoir . . . . .	16
<b>Ironing</b> . . . . .	17
Turning on and off . . . . .	17
Selecting the ironing temperature (operation without steam) . . . . .	17
Selecting the ironing temperature (operation with steam) . . . . .	18
Turning the steam setting ON and OFF . . . . .	18
Selecting the roller speed . . . . .	19
Ironing . . . . .	19
Positioning the laundry . . . . .	20
Removing the feed board . . . . .	20
After ironing . . . . .	21
Power failure . . . . .	22
<b>Ironing Tips</b> . . . . .	23
Towels, dishcloths, handkerchiefs, napkins, etc. . . . .	23
Tablecloths . . . . .	23
Sheets and bedspreads . . . . .	23
Duvet covers . . . . .	24
Pillowcases . . . . .	24
Shirts . . . . .	25
Smock-type aprons . . . . .	27
Aprons with ties . . . . .	27
Steam-pressing pants . . . . .	27
Steam-pressing skirts . . . . .	27

<b>Cleaning and care</b> .....	28
Cleaning the water reservoir .....	28
Ironing cover .....	29
<b>Frequently asked questions</b> .....	32
<b>After sales service</b> .....	34
<b>Electrical connection</b> .....	35
<b>Technical data</b> .....	36
<b>Help protect our environment.</b> .....	37

# IMPORTANT SAFETY INSTRUCTIONS

Read the operating instructions carefully before using this appliance for the first time. They contain important information about the safe operation and care of your appliance. To prevent personal injury or damage to the rotary iron, it is important that you read this booklet carefully.

Keep the instructions in a safe place for reference, and pass them on to any future user.

## Proper use

- ▶ Use appliance only for its intended use.
- ▶ Use only as described in this Operating manual.
- ▶ This rotary iron is only intended for ironing fabrics washed in water. Check the fabric care labels to be sure the materials can be ironed.
- ▶ Persons who lack physical, sensory or mental abilities or experience with the appliance should not use it without supervision or instruction by a responsible person.
- ▶ The appliance is not to be used by persons (including children) with reduced physical, sensory or mental capabilities, or lack of experience and knowledge, unless they have been given supervision or instruction.

## Technical and electrical safety

- ▶ Installation, repair and maintenance work should be performed by a Miele authorized service technician in accordance with national and local safety regulations and the provided installation instructions. Contact Miele's Technical Service Department for examination, repair or adjustment. Repairs and other work by unauthorized persons could be dangerous and may void the warranty.
- ▶ Repairs should only be performed by a Miele authorized technician. Faulty components should be replaced using Miele original parts only. Only original replacement parts guarantee the safety of the appliance.
- ▶ Incorrect reassembly or repair could cause a risk of fire, electric shock, or injury to persons when the appliance is used.
- ▶ Before setting up the rotary iron, check for any visible damage. Do not install or use a damaged appliance.
- ▶ Do not operate appliance with a damaged cord, or if the appliance has been dropped or damaged.
- ▶ A damaged appliance is dangerous. Turn off the rotary iron, unplug from the wall outlet and call Technical Service.
- ▶ If the power cord is damaged it must be replaced by a Miele authorized service technician.

# IMPORTANT SAFETY INSTRUCTIONS

- ▶ Before connecting the appliance, ensure that the connection data on the data plate (fusing, voltage and frequency) match the household electrical supply. If in doubt, consult an electrician.
- ▶ To reduce the likelihood of circuit overload, do not operate another high wattage appliance on the same circuit.
- ▶ Do not modify the machine power cord or plug.
- ▶ To reduce the risk of electric shock, do not immerse the appliance in water or other liquids.
- ▶ All electrical work should be carried out by a qualified electrician in accordance with local and national safety regulations.
- ▶ To reduce the risk of electric shock, do not disassemble or attempt to repair the appliance, take it to a qualified service person for examination and repair.
- ▶ To guarantee the electrical safety of this appliance, continuity must exist between the appliance and an effective grounding system. It is imperative that this basic safety requirement be met. If there is any doubt, have the electrical system of the house checked by a qualified electrician. The manufacturer cannot be held responsible for damages caused by the lack, or inadequacy, of an effective grounding system.
- ▶ Do not use an extension cord to connect this appliance to electricity. Extension cords do not guarantee the required safety of the appliance (e.g. danger of overheating).
- ▶ The appliance is completely isolated from the electricity supply when:
  - it is turned off at the wall switch and unplugged, or
  - the circuit breaker has been "tripped".
- ▶ Do not damage, remove, or bypass the safety components or control elements in the iron.
- ▶ Only operate the rotary iron when all removable outer casings are fitted so that it is impossible to touch an electrical component or moving part.
- ▶ This equipment has not been designed for maritime use or for use in mobile installations such as aircraft or recreational vehicles. However, under certain circumstances it may be possible for an installation in these applications. Please contact the nearest Miele Dealer or Miele Technical Service with specific requirements.

# IMPORTANT SAFETY INSTRUCTIONS

## Use

- ▶ Be aware of loose fitting or hanging clothing when using the rotary iron. Items such as wide sleeves or apron strings could be wound in the roller.
- ▶ Remove all jewellery and tie back long hair before ironing.
- ▶ Do not allow children to play on or near the rotary iron, or to operate it themselves.
- ▶ Close supervision is necessary for any appliance being used by or near children. Do not leave appliance unattended while connected.
- ▶ When the rotary iron is heated there is a danger of burns:
  - if the heater plate is touched.
  - if the foot pedal is pressed down while fingers or hands are positioned between the raised heater plate and the roller to smooth an item.
- ▶ When the steam setting is on, **do not** unscrew the cap to the water reservoir. Danger of burns!
- ▶ Always disconnect appliance from electrical outlet when filling with water or emptying, and when not in use.
- ▶ Do not use distilled water. It will cause pitting corrosion of the water reservoir.
- ▶ Never drape items over the heater plate when it is heated. This is a fire hazard. Hang laundry on the laundry bar.

- ▶ Hang laundry on the laundry swing out bar. The swing out bar is only to be used to hang laundry. Swing it back immediately after use. Take care not to press down on the rod when it is swung out, as this could cause the iron to tip over.
- ▶ Turn the appliance off before removing the plug from the electrical outlet.
- ▶ Pull only on the plug and not on the power cord.
- ▶ Do not lay the power cord over the heater plate when it is heated. This could damage the cord - danger of electric shock. Use the cable holders attached to the appliance to secure the cord.
- ▶ Do not allow cord to touch hot surfaces. Let appliance cool completely before putting away. Loop cord loosely around appliance when storing.
- ▶ Do not store the iron in a room where there is a risk of frost occurring. Frozen water in the reservoir and steam line can damage the appliance.

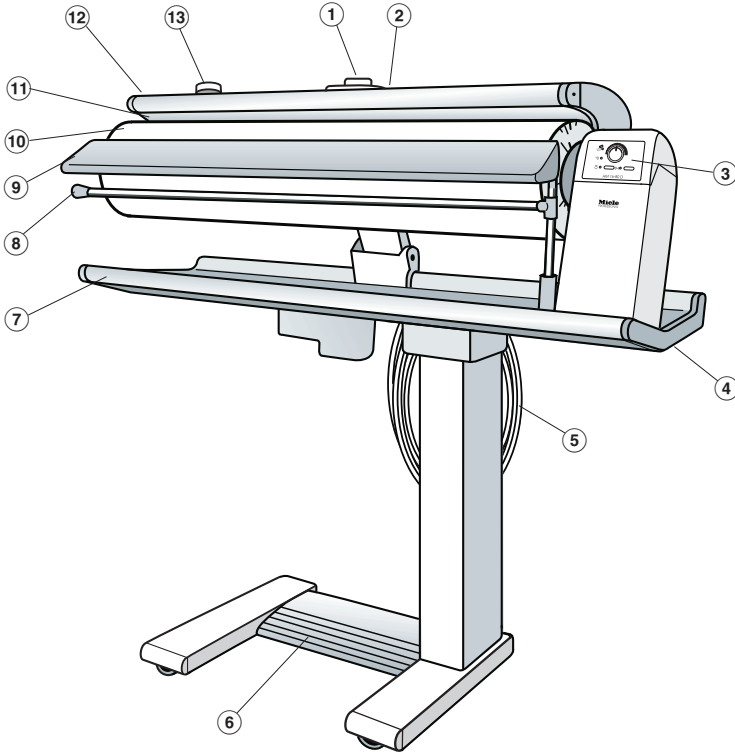
## Accessories

- ▶ Accessories should only be used if approved by Miele. If other parts are used, warranty, performance and product liability claims may be void.

Regard the national and local codes and standards.

**SAVE THESE INSTRUCTIONS  
AND REVIEW THEM  
PERIODICALLY**

# Guide to the Rotary Iron

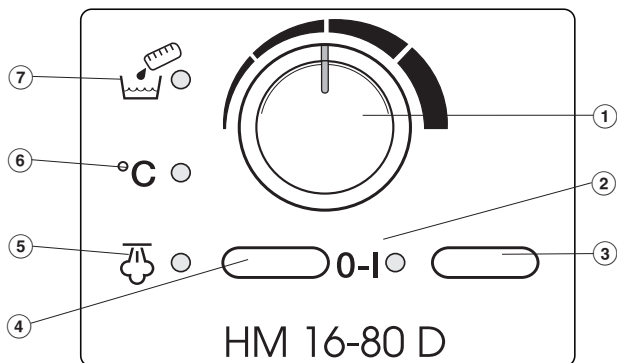


- |                        |                            |
|------------------------|----------------------------|
| ① Temperature selector | ⑧ Laundry rod              |
| ② Emergency release    | ⑨ Feed board               |
| ③ Control panel        | ⑩ Roller                   |
| ④ Release catch        | ⑪ Heater plate             |
| ⑤ Power cord           | ⑫ Finger guard             |
| ⑥ Foot pedal switch    | ⑬ Water reservoir with cap |
| ⑦ Ironing table        |                            |

# Guide to the Rotary Iron

---


## Control panel



① Roller speed selector

② On/Off indicator **I-O**

③ On/Off button **I-O**

④ Steam switch 

⑤ Steam indicator 

⑥ Temperature indicator **°C**

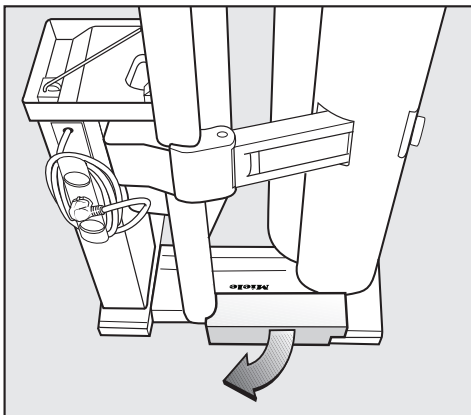
⑦ Water empty indicator 

# Moving and folding the appliance

## Transport strut

Do not remove the transport strut until the rotary iron has been placed onto the four rollers.

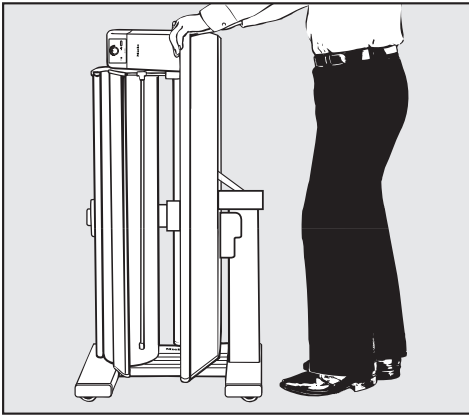
- Pull out the transport strut.



Keep the strut in a safe place. It will need to be attached each time you transport the appliance.

## Moving and folding the appliance

The rotary iron sits on 4 rollers.

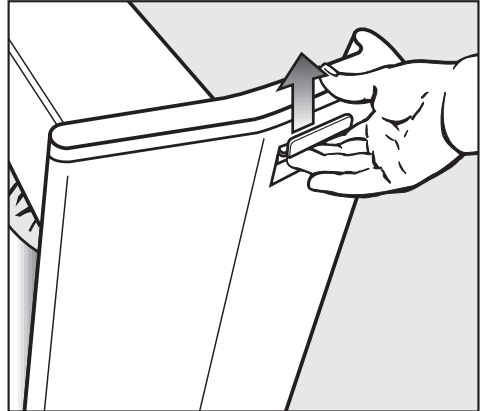


- Hold the iron by the ironing table and push or pull to move it.

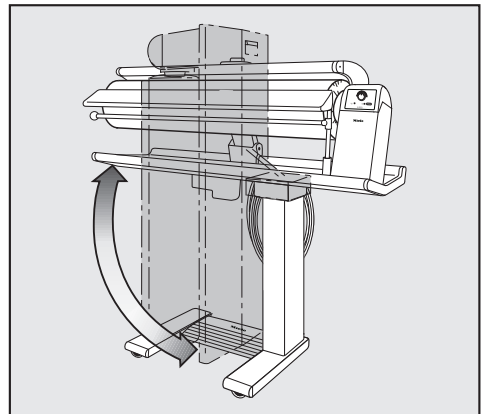
To steer the iron and to handle obstacles such as carpet edges and doorways:

- Tip the iron slightly.

The iron can be moved either when folded or unfolded.



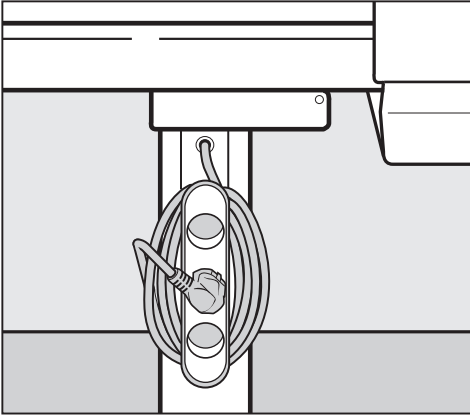
- Hold the ironing table and release the catch, located on the right-hand side at the back, underneath the ironing table.




- Swing the top section of the rotary iron to the side until it clicks horizontally into position. Do not let go of the catch until you have finished swinging the top.
- To prevent water from spilling over when you fold or move the iron, the cap on the water reservoir must be firmly tightened down.

## Power cord

The power cord is wound behind the ironing table.

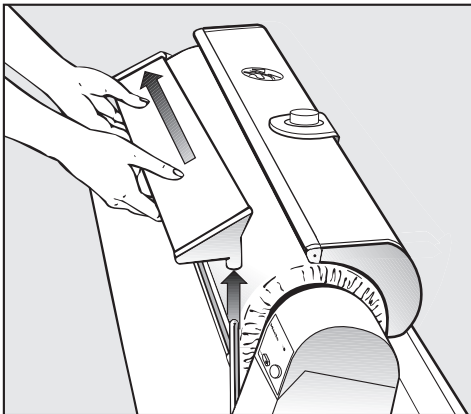


- Unwind the cord.

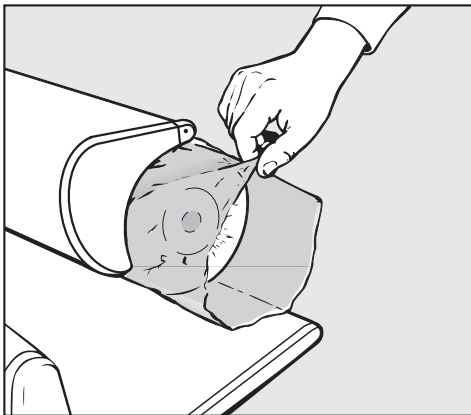
 Do not insert the plug into the electrical socket yet.

## Before using for the first time

A dust cover is placed on the roller for protection during shipping.

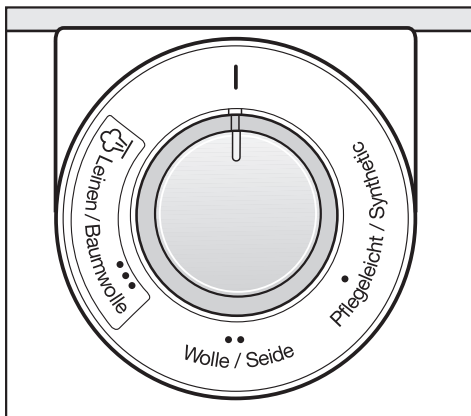


- First remove the feed board by lifting it out of the right hand holder, then pull it out to the left of the roller.
- Plug the appliance in and turn it on. The heater plate will rise automatically.



- The protective dust cover can now be pulled off.

- The adhesive film supplied with iron can now be placed around the temperature selector.



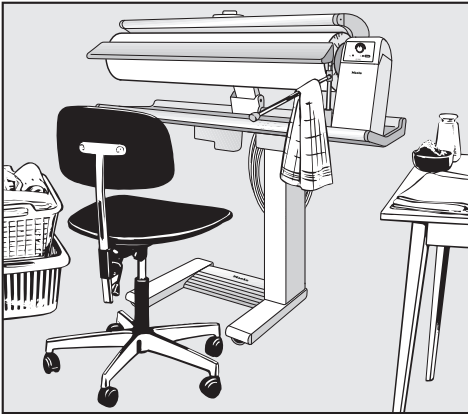
- Adhere the sticker (included) to the temperature control as shown above.

# Before using for the first time

## Preparing the work area

When positioning the rotary iron, make sure it is level. This will ensure even steam production and keep the appliance from rolling sideways.

A height-adjustable chair and a flat surface for stacking completed items will be useful.



Have the following close by:

- to the left of the iron, place a basket with laundry ready for ironing,
- to the right of the iron, have a surface for stacking the ironed articles.

Shirts, smocks, blouses, etc., should be hung on hangers immediately after ironing.

Small items can be hung over the swing-out rod.

Have some water handy to re-dampen the laundry as needed.

## Preparing the laundry

Proper preparation of the laundry is essential for good results.

Before ironing, laundry should be:

- dampened (for operation without steam)
- pulled into shape and smoothed out
- sorted

### Proper dampness (for operation without steam)

The laundry needs to be sufficiently damp so that on the first pass through the rotary iron at the correct temperature it will come out smooth and dry. Dampen the laundry as you would for hand ironing; preferably several hours beforehand so that the articles achieve a uniform degree of dampness throughout.

If a tumble dryer is being used, select a "Machine iron" program.

- If preparation time is short, use warm water to re-dampen.

Material	Dampness for ironing
Silk	wrap in a damp cloth to avoid water marks
Synthetics e.g. Nylon, polyester, etc.	slightly damp to dry
Wool (e.g., pants)	press under a damp cloth
Cotton	slightly damp
Linen	quite damp

## Before using for the first time

### Pulling into shape and smoothing out

- Pull the dampened laundry into shape as usual.
- Smooth out any ribbons, straps, seams, and hems.
- Large items such as table cloths, bed linens, etc., should be folded lengthways into a number of pleats so that they can be ironed as easily as possible.

### Sorting

Sort the laundry according to how much heat is required, and then according to flat and shaped pieces.

Start ironing at a lower temperature and gradually increase the temperature according to the fabric being ironed.

Minimum Iron  
(Perlon, Nylon, etc.) ●

Woolens, Silk ●●

Cottons, Linen ●●●

- Iron starched items last to avoid starch deposits on other items.

### Using the iron for the first time:

You may notice some unevenness on the roller. This is normal, and will smooth itself out after approx. 3 hours of use.

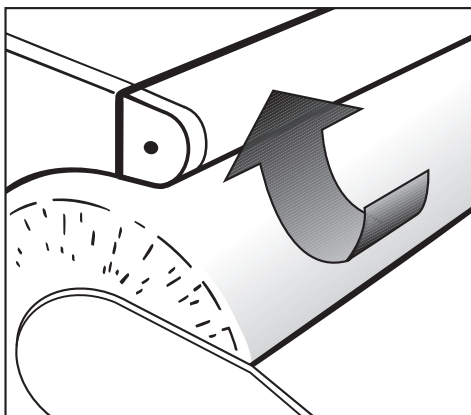
This will keep the under padding mostly free of creases.

### Testing the finger guard

The finger guard is a safety feature, and should be checked every time the rotary iron is used.

- With the iron turned on, press the foot pedal all the way down.

The heater plate comes down onto the rotating roller.



- If you lift the finger guard now, the roller stops rotating and the heater plate rises.
- Let go of the finger guard and remove your foot from the foot pedal.
- Now press the foot pedal down again.

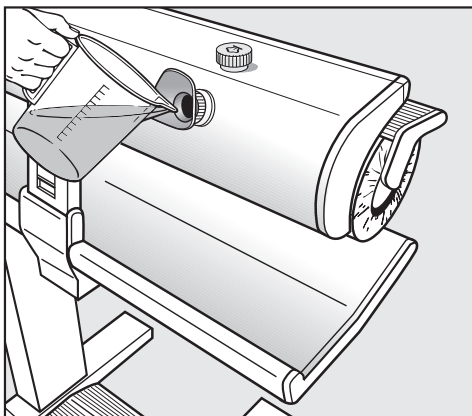
The heater plate lowers and the roller rotates.

For ironing dry or nearly dry laundry items, the steam setting can be used.

### Ironing with and without steam


If the laundry items are already damp, use the iron without steam. The steam setting is intended for pressing dry or nearly-dry laundry.

### Filling the water reservoir



- Before turning on the iron, and with the roller in the up position, fill the water reservoir to the lower edge of the spout with **tap water** approx. 1 ½ pints (0.8 l). Do NOT use "ironing water" available in stores.



The funnel can be screwed into place for easier filling.

 Do not use distilled water. It will cause pitting corrosion of the water reservoir.

Only ever fill the water reservoir to the lower edge of the spout.

- To prevent water from spilling over when you close the roller down, be sure the cap is secure.

If the indicator light  "Water empty" is red, it is time to re-fill the reservoir.

If the steam setting is on but the water reservoir is empty, the display lights  "Steam" and  "Water" will flash alternately in intervals of a few minutes.

Caution - hot steam!  
Slowly loosen the cap.

- Allow the steam from the water reservoir to dissipate before opening the cap entirely, then add water as needed.


Typically you will find some water left in the reservoir. The amount depends on the water hardness and how much lime is deposited.

A full water reservoir will provide approximately 40 minutes of steam ironing time. It takes approx. 4 minutes for the iron to begin producing steam. As lime deposits form in the tank, the heating time may increase.

- Whenever you stop ironing, turn off the steam switch.

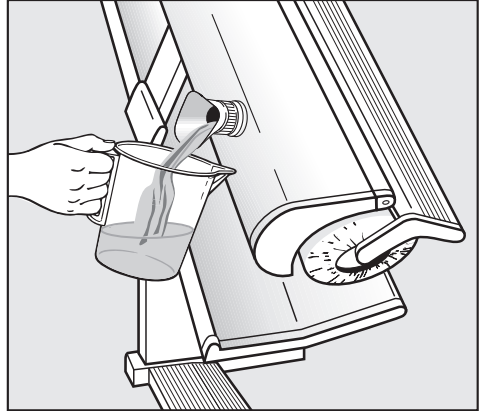
# Steam setting

## Emptying the water reservoir

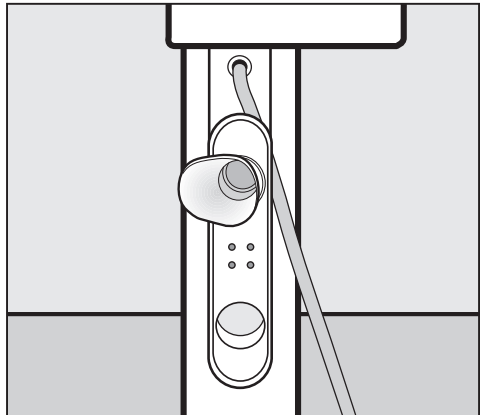
 Do not attempt to empty the water reservoir unless the roller and water are both cool.

Always empty the reservoir once you have finished ironing. This will help prevent damage to the reservoir from damage caused by standing exposure to such elements in the water as chlorine, calcium, and copper.

- Unscrew the cap.
- The funnel can be screwed into place for easier emptying.

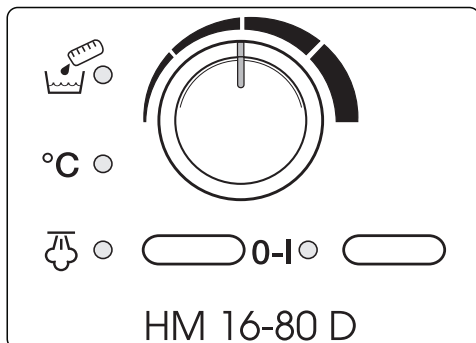


- Slowly flip open the roller while simultaneously holding a suitable receptacle (e.g., a measuring cup) under the spout. Let the water drain out.
- Screw the cap back onto the spout.



- After use, return the funnel to its place in the cord receptacle.

## Turning on and off



Use the **I-O** button to turn the rotary iron on and off.

### To turn on

- Press the button in.

The indicator light comes on.

### To turn off

- Press and release the button.

The indicator light goes out.

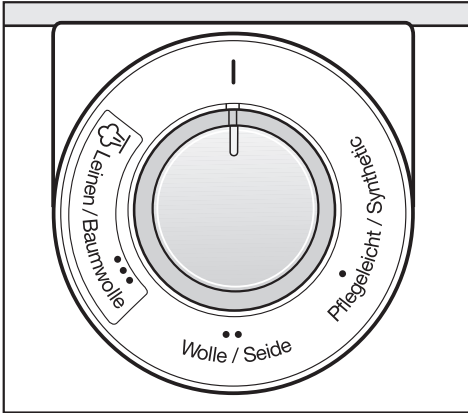
## Selecting the ironing temperature (operation without steam)

The temperature selector is used to set the ironing temperature.

The temperature range is marked by dots on the ring around the temperature selector. These correspond with the international fabric care symbols for ironing.

Material	Dot symbol	Temperature range
Minimum Iron	●	cool iron
Woolens	●●	medium hot iron
Cotton	●●●	hot iron
	I	40 - 60°C

# Ironing



- Turn the temperature selector to the desired temperature.

The "Temperature" indicator °C will light up while the roller is heating up. The light will go out when the desired temperature is reached.

When ironing a fabric blend (such as poly-cottons), the more delicate fiber determines the ironing temperature. For example, items made of poly-cotton blends should be ironed at the ●● setting for Woolens, rather than using the cotton setting.


## Selecting the ironing temperature (operation with steam)

- Turn the temperature selector to the ●●● setting for Cottons (hot iron).

If the temperature selector is set to ● or ●●, no steam will be available.

## Turning the steam setting ON and OFF



Before turning on the steam setting, you will need to turn the temperature selector to the ●●● setting.



- Use the  button for "Steam" to turn this setting on and off.

### Turning on

- Press the  button.

Once the desired roller temperature is reached, the indicator light next to the button will come on.

If the water reservoir runs out while the iron is in operation, the indicator light  for "Steam" will go out and the light  "Water empty" will turn red.

If the steam setting is on and you do not re-fill the water reservoir, the indicator lights  "Steam" and  "Water reservoir" will flash alternately at intervals of several minutes.

### Turning off

- Press and release the  button.

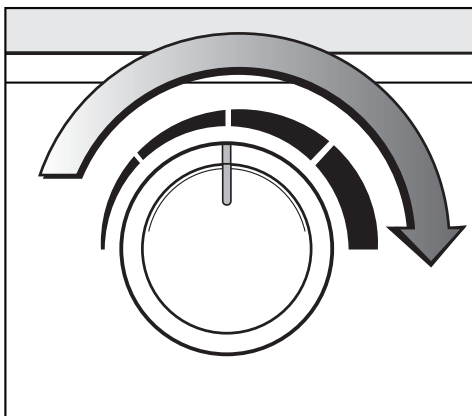
The indicator light next to the button goes out.

## Selecting the roller speed

There are 5 roller speed settings, from low (approximately 6.5 ft/min. [2 m/min]) to high 15 ft/min. [4.5 m/min]).

A lower roller speed makes it easier to iron complicated articles, such as shirts and blouses. It is also best to select a low roller speed when ironing layered or folded items, which may require more than one pass through the rotary iron to get them smooth and dry.

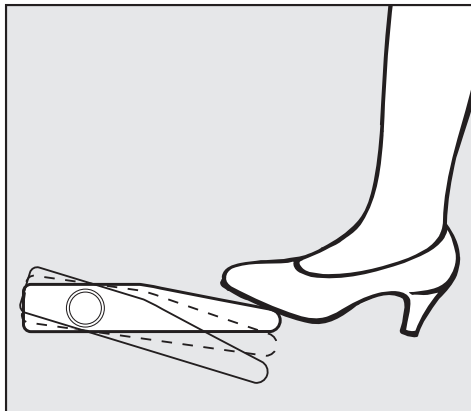
Thinner, single-thickness articles, such as handkerchiefs or dishcloths, can be ironed at a higher roller speed.



- Set the roller speed selector to the desired speed.

## Ironing


The ironing process is controlled by the foot pedal, which has three operating positions:



- rest (heater plate is raised)
- press
- iron

### To iron:

- Press the foot pedal all the way down to the floor.

 Do not put fingers between the heater plate and the roller.  
Danger of crushing and burns!

### To press:

- First press the foot pedal down to the floor, then lift your foot up a little, so that the heater plate remains in position but the roller does not rotate.

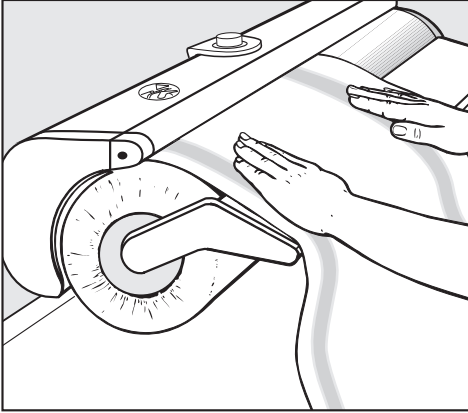
### To raise the heater plate:

- Take your foot off the pedal.

# Ironing

## Positioning the laundry

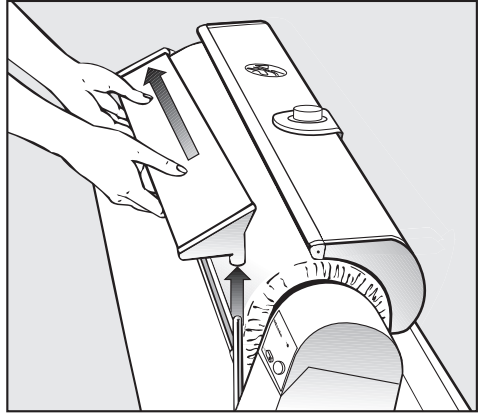
- Arrange the laundry items on the feed board so that they are straight, and smooth them out by hand.



- Then turn the roller by hand until the edge of the article to be ironed can be held by the heater plate.
- Press down the foot pedal.

## Removing the feed board


The feed board can be removed when shaped garments are being ironed, e.g. skirts (round).



- Lift the feed board out of the right-hand holder, then pull it outward toward the left of the roller.

## Laundry bar


Ironed laundry can be hung over the swing out bar to avoid creasing.

 Take care not to press down on the bar when it is swung out, this could cause the rotary iron to tip over.

## Tips

- To avoid creasing:  
Stop the roller, pull the item back towards you slightly, and smooth it out by hand. If needed, dampen again with a wet cloth or spray bottle.
- If possible, always use the whole width of the roller, to maintain the smooth, elastic surface of the roller.
- For small items, such as handkerchiefs, alternate between the right and left-hand sides of the roller.
- Articles with raised parts, such as buttons, should be ironed face down onto the roller, so that they are pressed into the cushioned surface.
- Cover zippers, metal buttons and metal hooks with a cloth, to protect the heater plate.
- Buttons that are very large or not heat-resistant should not be ironed, as they can damage the heater plate.
- When you have nearly finished ironing, you can set the temperature selector to **I** and continue ironing small items at a low temperature.

## After ironing

- Turn the appliance off.
- Turn off the  switch for "Steam".
- Turn the temperature selector to **I**.
- Unplug from the outlet.

## To store the rotary iron:

- Allow the heater plate to cool.
- Empty the water reservoir.
- Fold the iron.
- Wind up the power cord.
- Put the cover on.

Do not store the iron in a room where there is a risk of frost occurring. Frozen water in the reservoir and steam line can damage the appliance.

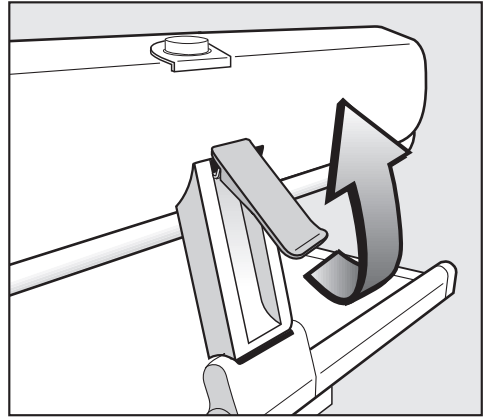
# Ironing

## Power failure

In the event of a power failure, pull the emergency release lever up.

If there is a power failure while the iron is in use, the heater play will stay pressed onto the roller. The item being ironed will be held there, and can become scorched.

## To free a trapped item:



- Pull the emergency release lever up.

The pressure is reduced, and the item can be removed.

When the power is restored (the On/Off indicator comes on), push the emergency release lever back down. Continue ironing as usual.

## Towels, dishcloths, handkerchiefs, napkins, etc.

- Lay the item with the straight grain of the fabric to the feed board.

This will prevent it from losing its shape and will be easier to fold.

Pass handkerchiefs diagonally through the rotary iron and, if necessary, fold them and then iron again.

- Please use the whole length of the roller.

## Tablecloths

- Avoid creases by ironing the middle first.



- Lay the tablecloth crossways, so that the ends hang over to the left and right.
- Iron the middle section first.
- Fold in half lengthwise.



- Fold in half with unironed edges together and place over the left end of the roller with the ironed middle section hanging over the edge to prevent creasing. Then pass both sides of the non ironed sections through the rotary iron.
- If needed, make one more pass once the tablecloth is folded.

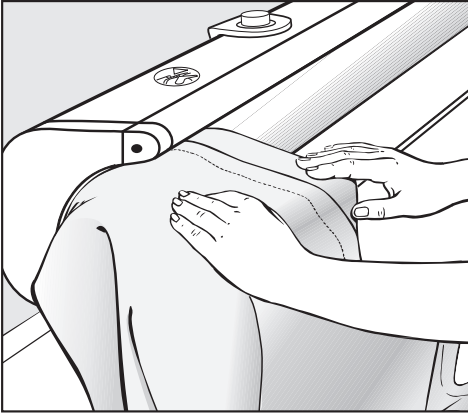
## Sheets and bedspreads

Sheets may be ironed like tablecloths, or if a lengthwise fold is acceptable, fold the sheet together lengthwise and iron it on both sides.

To accentuate embroidery and raised patterns on bedspreads, iron first in one direction and then in the other.

# Ironing Tips

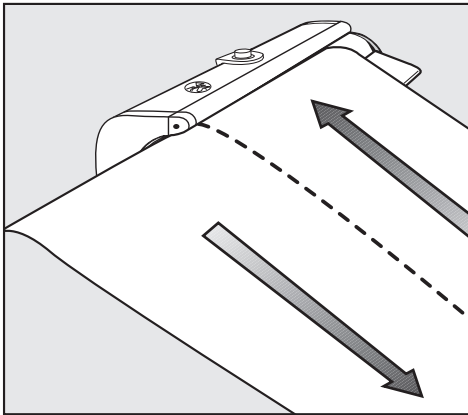
## Duvet covers



If the duvet cover has buttons at the open end, iron the buttons first.

Note: Only pass this end through the rotary iron if the buttons are heat-resistant.

- Start the first run by carefully feeding this end in first on the left side of the roller, taking care not to damage any buttons.



- It is best to iron the cover in two runs lengthwise.

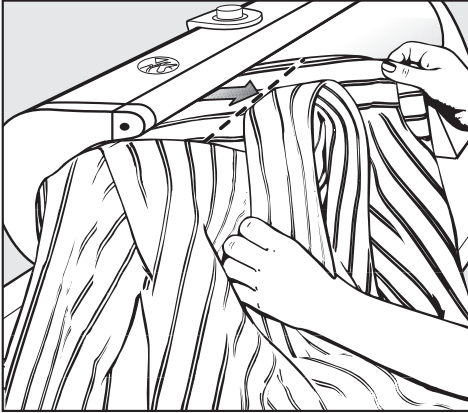
## Pillowcases

- Lay the pillowcase on the feeder plate, position under the heater plate and iron in one step.
- If the open end has buttons, only pass it through the rotary iron if the buttons are heat resistant.

## Shirts

- Remove the feed board to iron shirts.

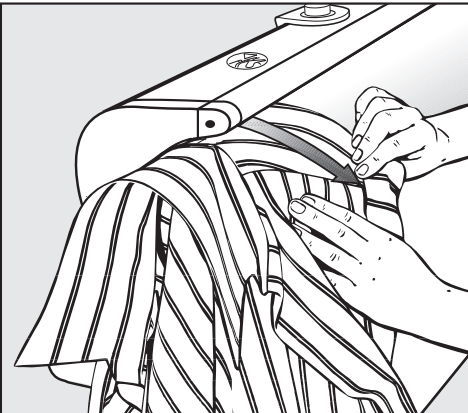
### 1. Shoulder yoke



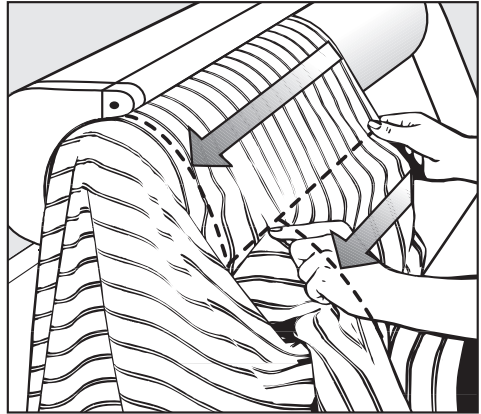
- Arrange the yoke, collar first, on the roller and smooth out.
- Hot press the yoke.

### 2. Collar

The collar is ironed on both sides using the left hand end of the roller. Stop ironing when the button comes to the heater plate.



- Then turn down the collar and press lightly, holding taut.

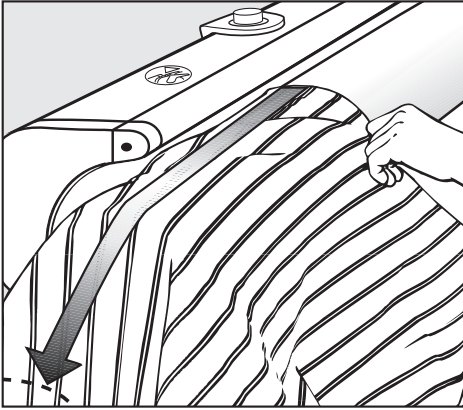


### 3. Front sides

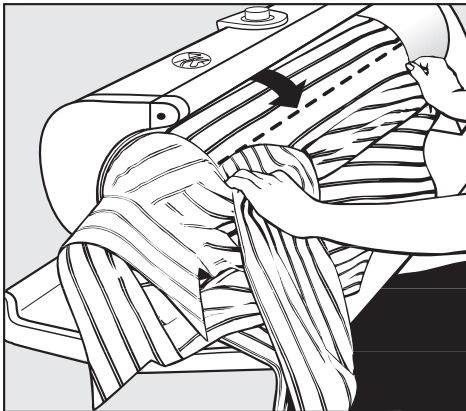
- Lay the button hole front on the left hand end of the roller with the side seam along the edge of the roller.
- Iron from the button hem up to the armhole.
- Now move the shirt out and iron past the armhole to the side seam.
- Iron the button side inside out so the buttons are pressed into the cushioned surface of the roller.

# Ironing Tips

## 4. Back

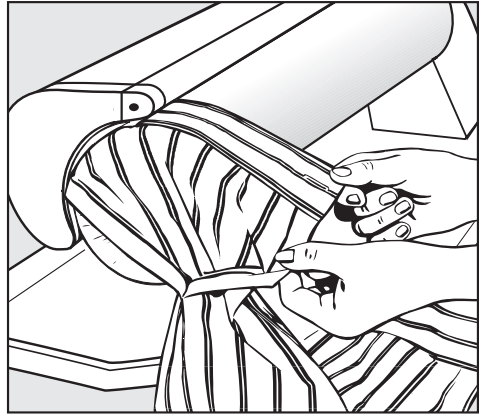


- Start at the side seam. Pull the shirt over the roller as far as the arm hole. Smooth it out.
- Starting from the side seam iron past the armhole, then pull the shirt further onto the roller and iron the full back length to the second arm hole.

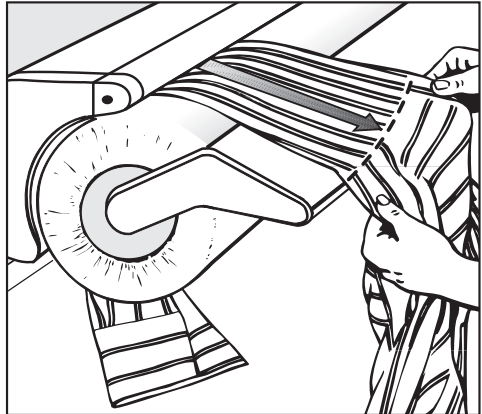


- Pull the shirt further down the roller and iron past the arm hole.

## 5. Cuffs and sleeves



- First iron both sides of the cuff on the left edge of the roller. Fold double-cuffs with one button hole placed over the other one and press lightly.
- Smooth out the sleeve and place it on the edge of the roller.



- Iron the arm from the edge of the cuff to the underarm. Shift diagonally to iron the full width of the arm hole.

## Smock-type aprons

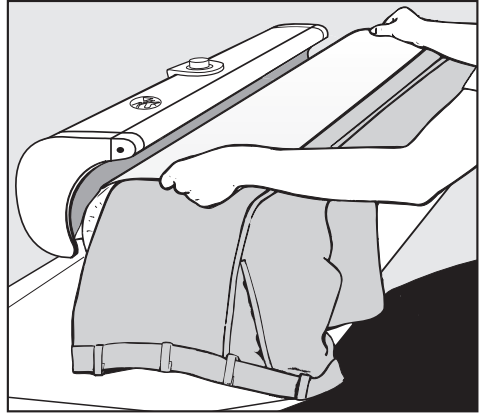
- Iron smocks as you would a shirt.

## Aprons with ties

- Iron the ties one by one up to the bib, then over the bib and up to the waistband.
- Then iron, in passes, up to the waistband, or iron crosswise. Let the bib hang over the left edge of the roller.

## Steam-pressing pants

- Lay each pant leg separately on the roller. Let the upper part hang down over the left edge of the roller.




- Cover with a damp cloth, then turn the roller by hand until the part of the pants to be pressed is covered by the heater plate.
- Press each leg from both sides starting from the crease.
- Iron the upper part from waistband to inseam of pants and jeans in sections. Set on a slow speed

## Steam-pressing skirts

Skirts are best ironed without the feed board, using the roller fully.

- Pull the skirt over the roller from the hem to the waistband.
- Lay a damp cloth over it.
- Iron each section of the skirt until completed.

## Cleaning and care

 Turn the iron off and unplug it from the outlet before performing any maintenance work.

### Cleaning the heater plate

- Check that the temperature selector is set "I".
- Allow the heater plate to cool before cleaning.
- Pull the emergency release lever up to make sure easier cleaning.
- Clean lime or starch deposits from the heater plate using a non abrasive household cleaner. Avoid spraying the heater plate.

Do not use abrasive cleaners.

### Cleaning the casing


- Depending on soiling, the casing can be wiped down with a dry or damp cloth.

Do not use abrasive cleaners.

### Cleaning the water reservoir

If the steam nozzles seem to be producing less steam, this may mean there are lime deposits in the water reservoir, caused by hard water. To remove these lime deposits, rinse the reservoir under tap water.

- Unplug from the socket.

 Wait until the iron is cold before you attempt to rinse out the water reservoir.

Depending on the hardness of the tap water used, the water reservoir will need to be rinsed out after 3 to 10 tankfuls.

Stubborn deposits can be removed with a lime remover.

Always follow the manufacturer's instructions for use of such products (dose, time, etc.).

- Fill the water reservoir halfway 3/4 pint (400 ml) and **close the cap**.
- Roll the heater plate backwards and forwards several times.
- Rinse twice thoroughly with tap water to help prevent damage to laundry items.

See the section on "Steam" for instructions on filling and emptying the water reservoir.

## Ironing cover


It is normal for the ironing cover on the roller to become slightly brown with use.

Wash the cover with a hot temperature program (140°F [60°C]).

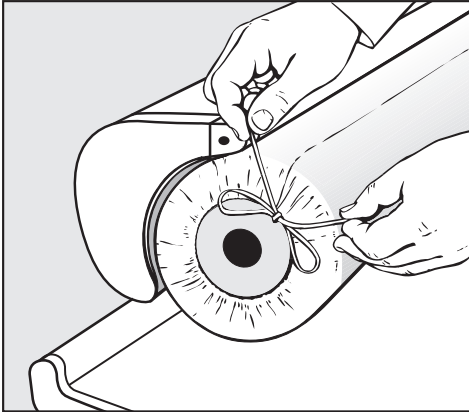
If the cover looks worn and used, it can be easily replaced.

Ironing covers are available at your Miele dealer or Miele.

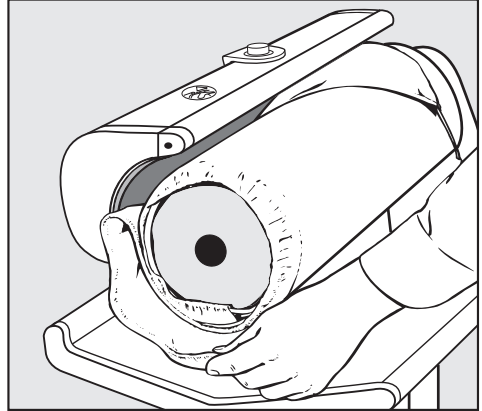
## Replacing the ironing cover

 The ironing cover should only be changed when the appliance is cold.

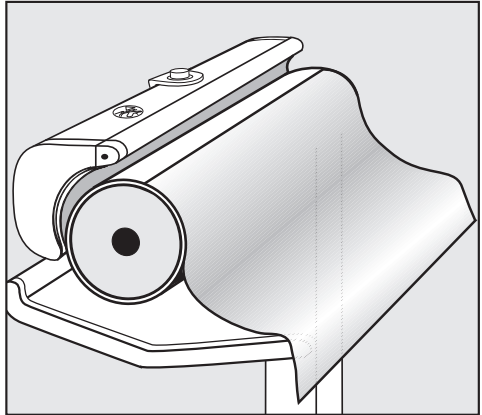
- Remove the feed board.



- Untie the old ironing cover cords at each end of the roller.

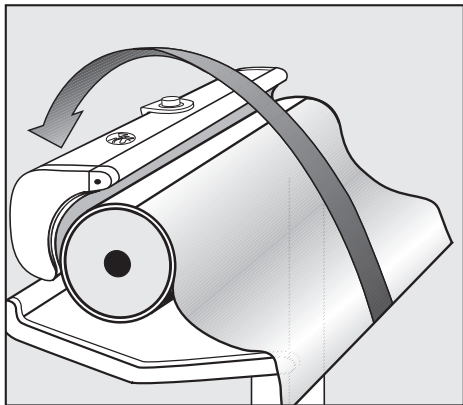


- Unwind the old ironing cover.



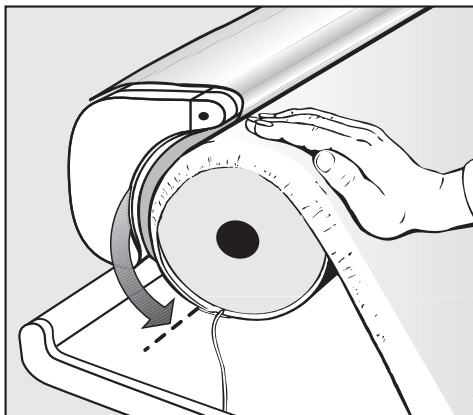
- Completely unwind the cotton padding attached to the roller and let it hang down smoothly.

## Cleaning and care



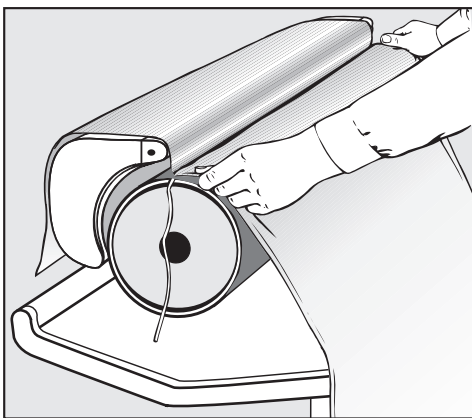
- Hold the corners of the cotton padding, pull taut, and lay it taut over the heater plate.

Note : the slot for the cotton padding is now at the top.

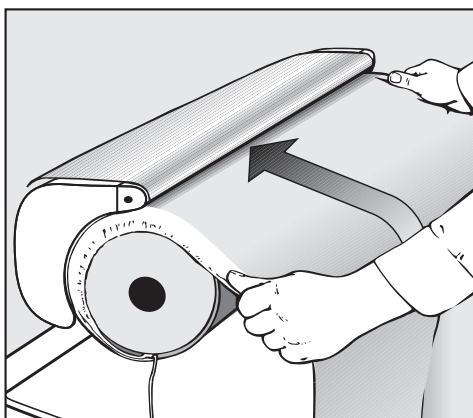


- Turn the roller by hand in the direction you iron (see arrow) until the retaining slot is at the bottom.
- Turn the rotary iron on.

When the ironer is switched on, the heater plate heats up immediately. The temperature selector must be turned to the I setting.



- Insert the long edge of the new ironing cover into the retaining slot with the side seams inside (upside down). Keep side ties hanging free and smooth out.



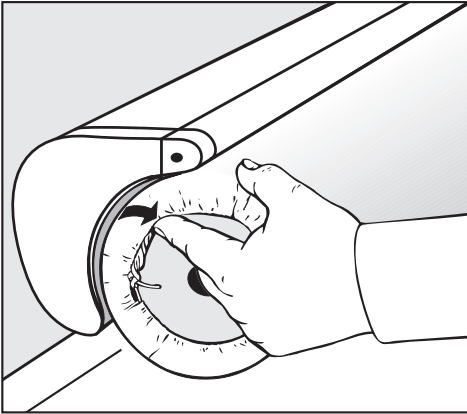
- Press the foot pedal and "iron" the new cloth all the way around.

Do not let the cords get under the cloth as it turns.

Once the roller has completed 3 or 4 revolutions and the end of the ironing cover is under the heater plate:

- Turn the rotary iron off while keeping the foot pedal pressed down.


The ironing cover is held firmly in place with the heater plate which is still lowered.



- Tighten the cords at the left and right-hand sides of the roller, tie together and tuck under the cover.
- Put the feed board back into place.
- Turn the rotary iron on.

The heater plate will rise.

## Frequently asked questions

 Repairs should only be carried out by an authorized technician in accordance with local and national safety regulations. Unauthorized repairs could cause injury or appliance damage. The manufacturer cannot be held responsible for unauthorized work.

### The rotary iron does not turn on.

Possible fault	Solution
The rotary iron has no power.	Plug the machine in and check if the circuit breaker has tripped.

### The laundry is not properly or poorly pulled in.

Possible fault	Solution
This tends to happen when ironing delicate items with a new machine.	Continue ironing, the issue is usually resolved after 5-10 minutes of ironing.
New iron cover	A new rotary iron cover should be washed at 140°F (60°C) for the laundry to be ideally pulled in.
Lime or starch deposits on the heater plate.	Clean with household cleaners or dishwasher detergent.

### Creases/Folds occur

Possible fault	Solution
The heater plate is soiled (lime deposits).	Clean the heater plate with household cleaners or dishwasher detergent.




### The rotary iron cover is heavily soiled.

Possible fault	Solution
Deposits	Wash the iron cover with household detergent at 140°F (60°C) or replace with a new one.

### The heater plate does not press on the roller.

Possible fault	Solution
The emergency release was activated.	Press the emergency release down (see "Power failure").

## Frequently asked questions





<b>No steam is being produced.</b> <b>The indicator light  for "Steam" goes out while ironing.</b>	
<b>Possible fault</b>	<b>Solution</b>
The iron temperature is too low for steam production.	Set the temperature selector to ●●● and wait until the display light comes on.
<b>No steam is being produced.</b> <b>The indicator light  for "Steam" goes out while ironing, and the indicator  for "Water empty" is red.</b>	
<b>Possible fault</b>	<b>Solution</b>
The water reservoir is empty.	Fill the water reservoir.
<b>The steam nozzles are sputtering.</b>	
<b>Possible fault</b>	<b>Solution</b>
Clean tap water was not used.	Empty the steam reservoir, rinse it out, then fill with tap water (see "Cleaning and Care").
<b>The steam nozzles are not releasing enough water.</b>	
<b>Solution</b>	<b>Solution</b>
There are lime deposits in the water reservoir, from hard water.	To remove these lime deposits, rinse the reservoir under tap water (see "Cleaning and Care").

## After sales service

---

In the event of a fault which you cannot easily fix yourself, please contact the Miele Technical Service Department at the address on the back of this booklet.

When contacting the Technical Service Department, please quote the model and serial number of your appliance given on the data plate under the front side of the appliance.

IBN	Typ	①
	Fabr.Nr.	②
	Art.Nr.	
	M.-Nr.	
		③
		
		④
	Total	⑤
		
		


- ① Model
- ② Serial number
- ③ Voltage/Frequency
- ④ Minimum fuse rating (house wiring)
- ⑤ Power consumption (wattage)

The wiring diagram is located under the right side of the ironing table.

## Electrical connection

---

The appliance is supplied with a power cord and NEMA 6-20 P plug ready for connection to a 2AC 208-240V 60 Hz power supply (see data plate). The fuse rating is 2x20 amps.

 Do not modify the machine power cord or plug, the machine is approved for US and CDN.

All electrical work should be carried out by a qualified electrician in accordance with local and national safety regulations.

Do not connect the rotary iron to an extension cord. Extension cords do not guarantee the required safety of the appliance (e.g. danger of overheating).

**WARNING**  
**THIS APPLIANCE MUST BE**  
**GROUNDED**

# Technical data

---

Height	37 <sup>3</sup> / <sub>4</sub> " (folded 41 <sup>3</sup> / <sub>8</sub> ") [95.9 (folded 105.2) cm]
Width	38 <sup>3</sup> / <sub>4</sub> " (folded 19 <sup>5</sup> / <sub>8</sub> ") [98.5 (folded 50) cm]
Depth	15" [38 cm]
Weight	86 lbs (39 kg)
Water reservoir capacity	1 <sup>1</sup> / <sub>2</sub> pints (800 ml)
Voltage	see data plate
Rated load	see data plate
Minimum fuse rating	see data plate

## **Disposal of packing materials**

The cardboard box and packing materials are biodegradable and recyclable. Please recycle.

Ensure that any plastic wrapping, bags, etc. are disposed of safely and kept out of the reach of children.

Danger of suffocation!

## **Disposal of an old appliance**

Old appliances contain materials that can be recycled. Please contact your local recycling authority about the possibility of recycling these materials.

Before discarding an old appliance, disconnect it from the electrical supply and cut off the power cord directly behind the appliance, to prevent misuse.





# Miele

**Please have the model and serial number  
of your appliance available when  
contacting Customer Service.**

---

## **U.S.A.**

**Miele, Inc.**

### **National Headquarters**

9 Independence Way  
Princeton, NJ 08540  
[www.mieleusa.com](http://www.mieleusa.com)

### **Customer Support**

Phone: 888-99-MIELE (64353)  
[info@mieleusa.com](mailto:info@mieleusa.com)

### **International Headquarters**

Miele & Cie. KG  
Carl-Miele-Straße 29  
33332 Gütersloh  
Germany

