



GO PARTY
BLUETOOTH
SPEAKER

We love that you are rocking JLab!
We take pride in our products and fully stand behind them.



YOUR WARRANTY

All warranty claims are subject to JLab authorization and at our sole discretion. Retain your proof of purchase to ensure warranty coverage.



CONTACT US

Reach out to us at support@jlab.com or visit jlab.com/contact

REGISTER TODAY

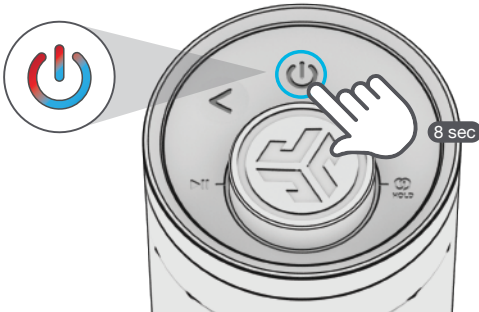
jlab.com/register

Product updates | How-to tips
FAQs & more

PAIR UP

1

Press and hold button. Lights will flash blue/red to indicate pairing mode.

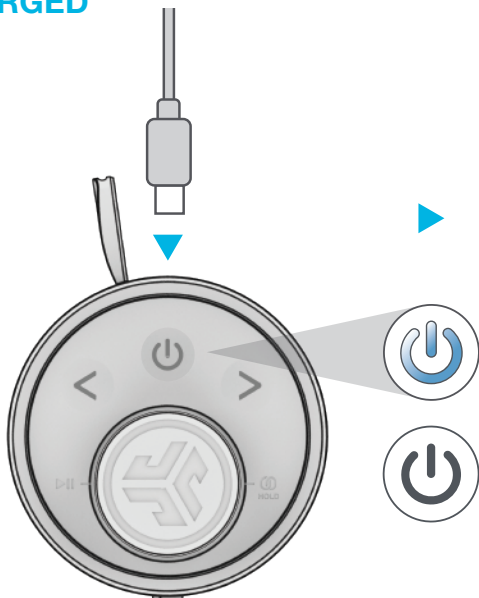


2

Select JLab GO Party in your device settings to connect.



GET CHARGED



PULSES:
CHARGING

LIGHTS OFF:
CHARGED



Connect to computer or USB charger.



GO AHEAD, PRESS THE BUTTON

POWER ON: PRESS HOLD 2s

POWER OFF: PRESS HOLD 3s

LED CHANGE: 1x (cycles 6 LED Animations)

PAIR NEW DEVICE: When powered off **PRESS HOLD 8s**

TRACK FORWARD: 1x

TRACK BACK: 1x

EQ CHANGE:
SIMULTANEOUS
PRESS HOLD

VOLUME: ROTATE

PLAY/PAUSE: 1x

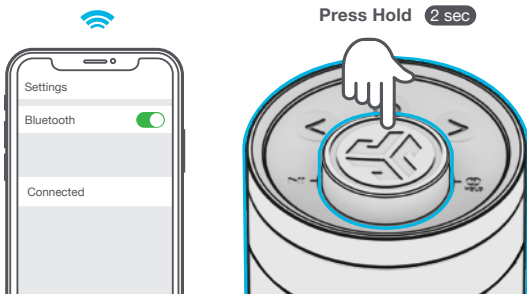
LabSync: PRESS HOLD (see LabSync page to connect JLab Party Speakers)

QUICK TIPS:

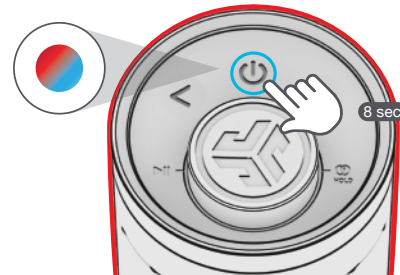
- GO Party is set to Eco-Mode by default. Lights will turn off when battery is less than 25% to conserve power.
- Turning off the lights will significantly improve playtime.
- GO Party will auto power off if no media is playing for 30 minutes.
- Download the JLab App to adjust the default settings.
- LabSync works with all JLab Pop Party, GO Party, JBuds Party, and Epic Party speakers.

LabSync (CAST TO OTHER JLAB PARTY SPEAKERS)

- 1** Connect **GO Party** to your device.
Press Hold to enter LabSync.
GO Party will say "LabSync"



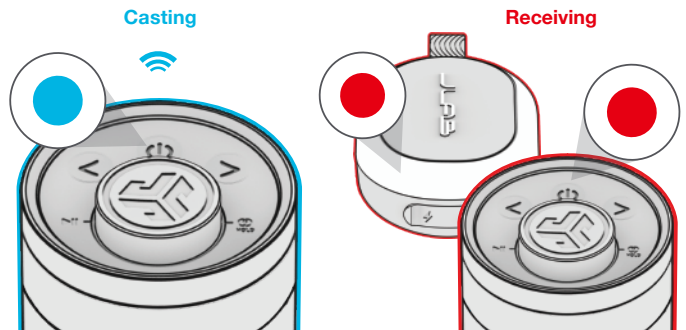
- 2** With your other **JLab Party Speaker(s)** turned off, **Press hold** power button until LEDs flash blue/red.



- 3** Followed by entering LabSync on your other speaker(s).

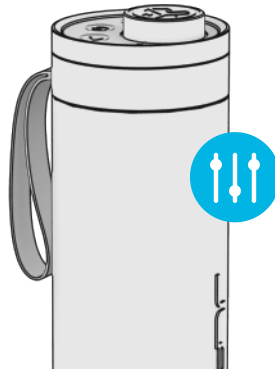


4



DOWNLOAD THE APP

Customize the Sound, Lights, and Features.



[Shop products](#) | [Product alerts](#) | [Burn-in your headphones](#)

JLab Store + Burn-in Tool

