

Honeywell

EN Dehumidifier
User Manual

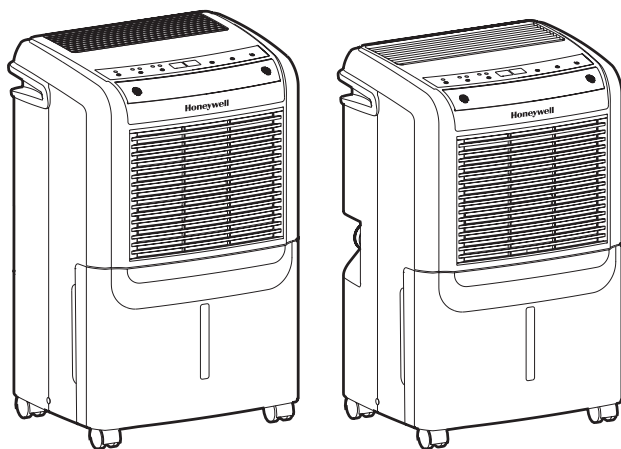
Read and save these instructions before use

FR Déshumidificateur
Mode d'emploi

Lire ces consignes avant l'utilisation de l'appareil et les conserver

ES Deshumidificador
Manual del Propietario

Lea y guarde estas instrucciones antes de usar la unidad



Model / Modèle / Modelo:
DH45W/ DH45WGN/
DH45WKN/ DH45PWKN /
DH45PWGN/DH50W/
DH50PW / DH70W /
DH70PW/ DH70WKN/
DH70WGN/DH70PWKN/
DH70PWGN/

www.jmatek.com
Email: usinfo@jmatek.com

Thank you for purchasing a Honeywell Dehumidifier. This User Manual is intended to provide you with important information needed to set up, operate, maintain and troubleshoot this product.

SAFETY RULES

WARNING -- READ AND SAVE THESE INSTRUCTIONS BEFORE USING THIS PRODUCT.

The user of electrical products may create hazards that include, but are not limited to injury, fire, electrical shock. Failure to follow these instructions may damage and/ or impair its operation and void the warranty. In case there is any inconsistency or conflict between the English version and any other language version of the content of this material, the English version shall prevail.

When using electrical appliances, basic safety precautions should always be followed:

- DO NOT touch the dehumidifier or the electrical plug with wet hands.
- Check the household voltage to ensure it matches the appliance's specification.
- Before operating, remove all packaging material and check for any damage that may have occurred during shipping.
- DO NOT operate any product with a damaged cord or plug.
- DO NOT use an extension cord with this appliance.
- DO NOT run power cord under carpeting, or cover it with rugs or runners. Keep the cord away from areas where it may be tripped over.
- Always unplug the dehumidifier before emptying the water tank.
- The water collected in the tank must be discarded. The water should never be used for drinking.
- Always unplug the dehumidifier and remove the water from the water tank before cleaning, servicing or relocating the unit.
- Remove the power cord from the electrical receptacle by grasping and pulling on the power cord plug-end only, never pull the cord.
- This appliance has been manufactured for use in domestic environments and must not be used for other purposes.
- DO NOT use the product in areas where gasoline, paint or other flammable goods and objects are used or stored.
- This dehumidifier is designed for indoor residential applications only. It should not be used for commercial or industrial applications.
- DO NOT attempt to repair or adjust any electrical or mechanical functions of the dehumidifier, as this may cause danger and void the warranty.
- DO NOT cover the air inlet or outlet on the appliance as this may cause the unit to fail.
- DO NOT insert or allow objects to enter any ventilation or exhaust opening as this may damage the product and could cause electrical shock or fire.

SAFETY RULES (CONTINUED)

- DO NOT let children play with this appliance, packaging or included plastic bag.
- If the unit is damaged or it malfunctions, do not continue to operate it. Unplug the product from the electrical outlet. Refer to the troubleshooting section and contact the customer support center.
- Always place the dehumidifier on a leveled floor.
- Never install the product near a bathtub or any water container.
- Store in a dry area, away from direct sunlight, when not in use.
- This appliance and its packaging materials are not intended for use by persons (including children or elderly) with reduced physical, sensory or mental capabilities, or lack of experience and knowledge, unless they have been given supervision or instructions concerning the use of the appliance by a person responsible for their safety.
- Always grip the side handles and keep the unit upright when transporting from room to room – DO NOT tilt the product on its side or upside-down.
- If the dehumidifier was transported tilted on its side, you must position it upright again and wait at least 4 hours before using it.
- **WARNING:** To reduce the risk of fire or electric shock, do not use this appliance with any solid state speed control device.

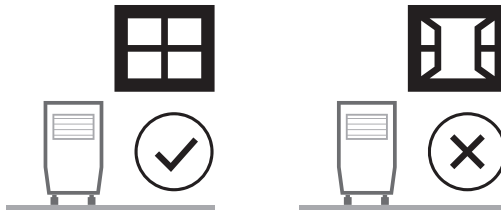
HOW A DEHUMIDIFIER WORKS

When the dehumidifier is switched ON, a fan pulls moisture-laden air into the dehumidifier where it passes through dehumidifying coils inside the unit. These coils condense moisture from the air and collect it in the water tank. The dry air is then exhausted from the dehumidifier. The air flows through the air vents of the dehumidifier into the room as dry, warm air.

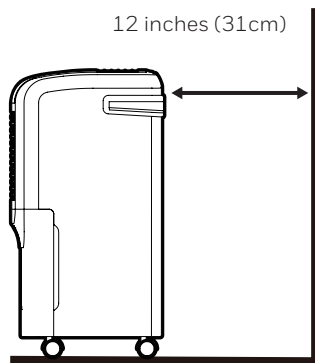
IMPORTANT: The dehumidifier is designed to operate between 41°F (5°C) and 89°F (32°C). The dehumidifier's performance may be greatly reduced if room temperatures exceed this temperature range.

SELECTING A LOCATION - IMPORTANT

- Before using the dehumidifier, place the unit UPRIGHT for at least 1 hour before use to allow the refrigerant to stabilize. If the unit was tilted on its side or upside-down during transportation, set the unit upright for 4 hours before use.
- For optimal efficiency, the dehumidifier must be operated in an enclosed area. Keep all doors, windows and other outside entrances to the room closed.



- Place the dehumidifier at least 12 inches (31cm) away from other objects (e.g. curtains or furniture) that may restrict airflow from the front or through the air vents of the unit.
- The dehumidifier must be positioned on a level floor.



SELECTING A LOCATION - IMPORTANT (CONTINUED)

IMPORTANT: The effectiveness of the dehumidifier can be influenced by different factors. One factor is the rate at which new, moisture-laden air enters the room and the amount of air circulating in and out of the area to be dehumidified. For example, if a door to a basement is constantly opened, letting new, moisture-laden air into the room, dehumidification will take longer than if the door was kept closed. If the dehumidifier is in a room with a storage closet or cabinets, it will have little or no effect in drying the inside of the storage closet or cabinets unless there is adequate circulation of air in and out of these spaces. To dehumidify these spaces, open the storage door or cabinet doors to allow air circulation. You may find that installing a second dehumidifier may be required for larger enclosed areas.

UNPACKAGING THE DEHUMIDIFIER

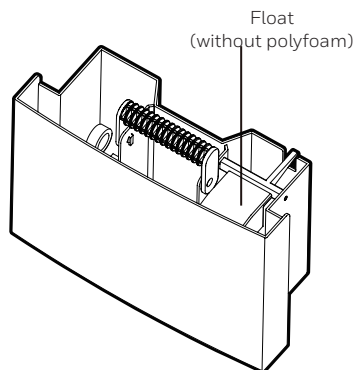
This Dehumidifier is packaged with a colored or transparent tape to secure some parts during transportation.

Remove all the colored or transparent packaging tape from the unit.

Remove this packaging tape before use. If you do not remove it, the Dehumidifier will not switch ON and a blinking red light will appear.

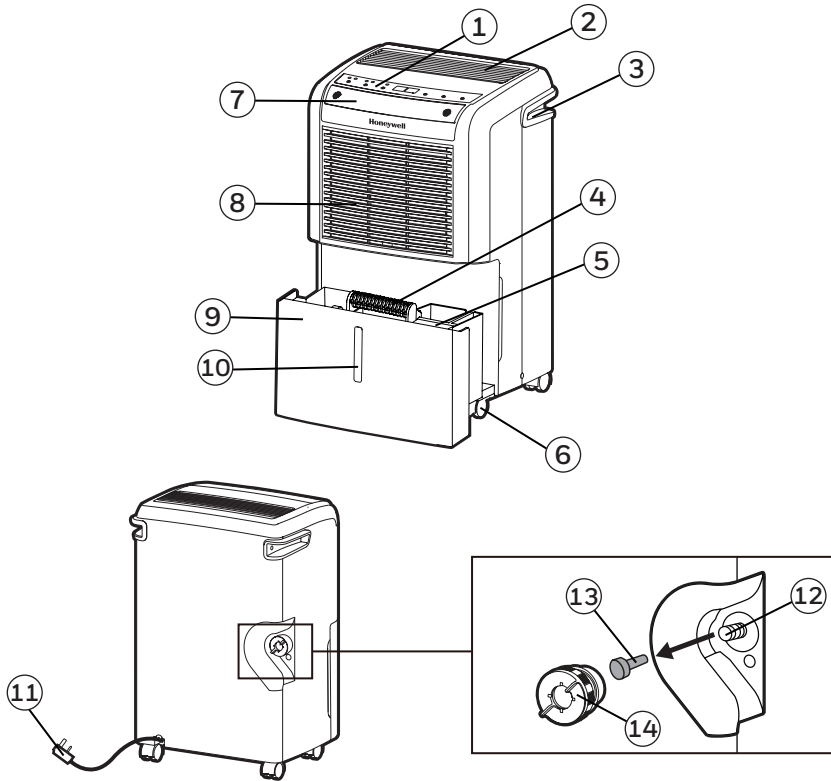
There is a Float (without polyfoam) located inside the water tank. This works to sense the level of the water inside the tank.

DO NOT REMOVE THIS FLOAT.



PARTS DESCRIPTION

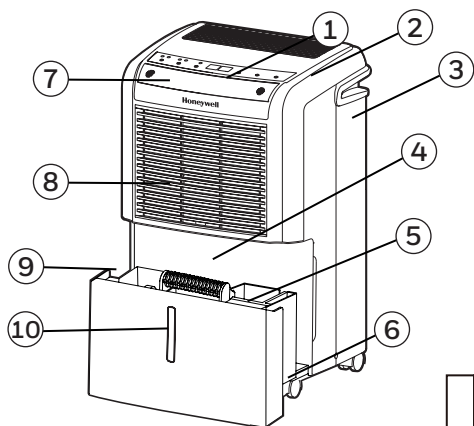
Model: DH45W



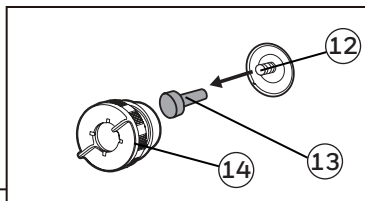
- | | |
|----------------------------------|---------------------------|
| 1) Control Panel | 8) Louvers |
| 2) Dehumidified Air Exhaust Vent | 9) Water Tank |
| 3) Handle | 10) Water Level Indicator |
| 4) Water Tank Handle | 11) Power Cord & Plug |
| 5) Float (without polyfoam) | 12) Direct Drain Outlet |
| 6) Casters | 13) Rubber Stopper |
| 7) Washable Dust Filter | 14) Drain Cap |

PARTS DESCRIPTION (CONTINUED)

Model: DH45WGN / DH45WKN / DH45PWKN / DH45PWGN / DH50W / DH50PW / DH70W / DH70PW / DH70WKN / DH70WGN / DH70PWKN / DH70PWGN

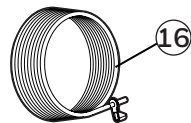
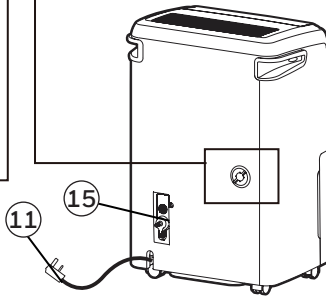
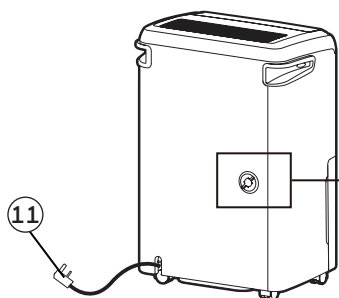


DH45WGN / DH45WKN / DH50W / DH70W / DH70WKN / DH70WGN



MODELS WITH BUILT-IN DRAIN PUMP:

DH45PWKN / DH45PWGN / DH50PW / DH70PW / DH70PWKN / DH70PWGN

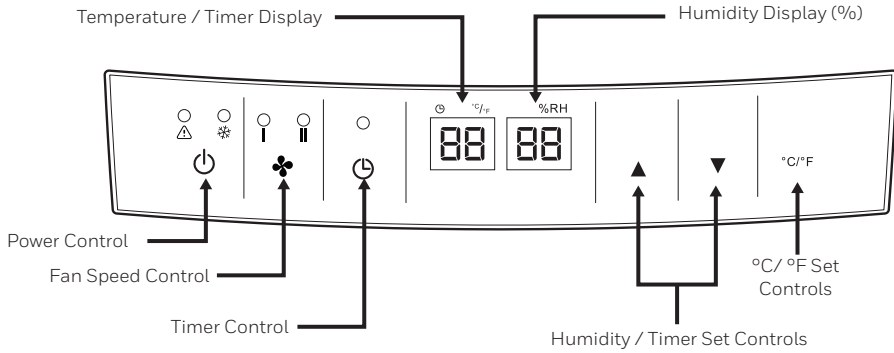


- | | |
|----------------------------------|---------------------------|
| 1) Control Panel | 8) Louvers |
| 2) Dehumidified Air Exhaust Vent | 9) Water Tank |
| 3) Handle | 10) Water Level Indicator |
| 4) Water Tank Handle | 11) Power Cord & Plug |
| 5) Float (without polyfoam) | 12) Direct Drain Outlet |
| 6) Casters | 13) Rubber Stopper |
| 7) Washable Dust Filter | 14) Drain Cap |

THIS IS ONLY FOR MODELS WITH BUILT-IN DRAIN PUMP

- | | |
|---------------------------|----------------|
| 15) Continuous Drain Pump | 16) Drain Tube |
|---------------------------|----------------|


CONTROL PANEL




Power Control

Press  to switch the dehumidifier ON or OFF.

Water Tank Full Indicator Light

This illuminates when the Water Tank is full of water or if the Water Tank is not positioned properly on the unit. To switch off , empty the Water Tank and check that the tank is secured properly into place.

Defrost Light

This indicates that the room temperature is too low. Increase the room temperature or wait until the temperature increases to switch off  and to turn the dehumidifier on again.

Fan Speed Control

Press to set the desired fan speed.

There are 2 fan speeds to select from: **High II / Low I**

A higher fan speed results in faster moisture removal.


CONTROL PANEL (CONTINUED)

Timer Control


The dehumidifier can be set to automatically switch ON or OFF after a selected period of time (between 1-24 hour intervals). The Timer hours selection is displayed on the Timer/Temperature Display Screen.

NOTE: Before setting the Timer control, make sure there is power to the unit.

Auto-Off Timer:

While the unit is running, first press  and then tap or hold the ▲ or ▼ to select the number of hours you want the unit to run before it switches off. The unit automatically switches off after the set time period has elapsed. You must repeat the Timer set up procedures to reset the Timer for next use, if needed.

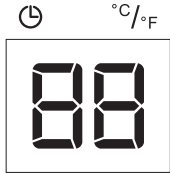
Auto-On Timer:

When unit is in standby mode,  press and ▲ or ▼ to select the number of hours until you want the unit to automatically start running. The previous fan speed and humidity setting will be maintained. The unit will continue running until the water tank is full (unless the unit is set up for continuous draining) or until you switch it off manually.

NOTE: To cancel any Timer settings, simply press  and then tap or hold the ▲ or ▼ until the Timer display shows '0'.

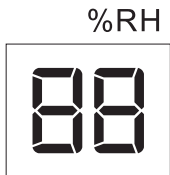
CONTROL PANEL (CONTINUED)

Temperature / Timer Display



When the unit is switched ON, the Temperature / Timer Display shows the current room temperature. Pressing the Timer ⌚ temporarily switches the display to show the Timer setting (in hours) for 10 seconds, before reverting back to the temperature display.

Humidity Control Setting



When the unit is switched ON, the Humidity Display shows the current humidity percentage. Press ▲ or ▼ to select your preferred humidity level. The humidity is adjusted in increments of 5% by pressing ▲ or ▼. The adjustable Relative Humidity (RH) range is between 30% RH to 90% RH. Ten seconds after setting the preferred humidity setting, the display will revert back to displaying the current humidity.

Recommended Settings: It is recommended to leave the unit running at 30% humidity at High Fan Speed during the first 2 to 3 days until damp odors are removed. After a few days when the Relative Humidity has been reduced to a more comfortable level, press ▲ or ▼ to choose a higher RH% that maintains a comfortable humidity level thereafter. A recommended healthy humidity level is between 40% and 50%.

NOTE: The humidity sensor senses current humidity in the surrounding area. It is normal for a 5°F to 9°F (3°C to 5°C) variance in the humidity sensitivity from the sensor.

°C/ °F Display Options


Press °C/ °F to change the Temperature Display from degrees Celcius °C to degrees Fahrenheit °F.

DRAINING THE WATER



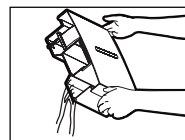
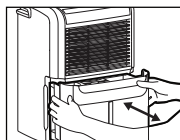
WARNING: Always drain and discard water collected from dehumidification. The water is not clean and cannot be used for drinking.

1. Draining water collected in the Water Tank

The condensed water can be collected directly into the water tank. When the water tank is full, the dehumidifier will automatically shut OFF and  will illuminate on the control panel followed by a beeping sound.

IMPORTANT: Do not move the dehumidifier when the water tank is full as it will be heavy and can cause water spillage.

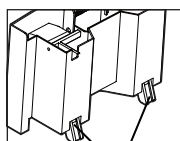
1.1 Locate the water tank at the front of the dehumidifier. Gently pull the water tank out and place it on the floor. Two stands located at the bottom of the water tank will automatically extend to help balance the tank on the floor.



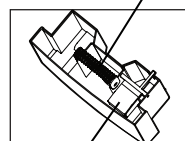
Water Tank Handle

1.2 Grip the handle inside the water tank and carry the water tank to a sink to empty.

1.3 Replace the empty water tank back into the front of the dehumidifier. Please make sure that the tank is properly positioned. The safety feature ensures that any misalignment of the tank and the unit will prevent the unit from turning back on.



Stands*



Float
(without polyfoam)

IMPORTANT: Improper alignment or positioning of the water tank will cause the unit to pause operation, the warning light on top of the dehumidifier will illuminate followed by a beeping sound, until the water tank is fitted properly.

NOTE: There is a Float (without polyfoam) inside the water tank that senses the water level to automatically stop dehumidification when the water tank is full. Make sure the Float is positioned correctly inside the water tank by ensuring it lies level with the top edge of the water tank.

*Applicable for models DH45WGN / DH45WKN / DH45PWKN / DH45PWGN / DH50W / DH50PW / DH70W / DH70PW / DH70WKN / DH70WGN / DH70PWKN / DH70PWGN

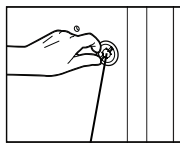
DRAINING THE WATER (CONTINUED)

2. Continuous Water Drainage – Using a Standard Garden Hose (Garden Hose not included)

For continuous water drainage with a standard garden hose, you will need a garden hose and a suitable water drain (e.g. a sink or drain hole at floor level) near the dehumidifier.

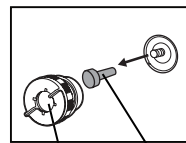
- 2.1 Locate the drain outlet on the back of the unit.
- 2.2 Unscrew and remove both drain cap and rubber stopper.
- 2.3 Locate the female connector at one end of the garden hose. Insert the garden hose onto the drain outlet of the dehumidifier. Screw and tighten the garden hose connector onto the threaded part of the drain outlet, making sure the hose connector is secured to ensure there will be no leaks. If there are leaks, the hose and the drain outlet may not be connected properly. Disconnect, replace and tighten the garden hose connector again.
- 2.4 Position the other end of the garden hose in the sink or drain. Make sure the hose is not bent or kinked which might stop the water flow. Make sure the hose is secured over the drain and will not fall out of place causing unwanted water spillage.

2.1



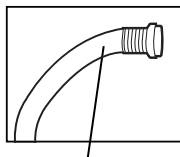
Drain Outlet

2.2



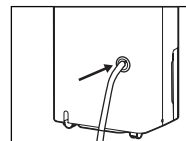
Drain Cap Rubber Stopper

2.3



Garden Hose

2.4



IMPORTANT: Make sure water can flow down the garden hose by keeping the hose angled down and free of bends or kinks.

IMPORTANT: If you stop using the continuous drain function, the drain cap and rubber stopper must be replaced before use to prevent leakage.

DRAINING THE WATER (CONTINUED)

THIS IS ONLY FOR MODELS WITH BUILT-IN DRAIN PUMP

DH45PWKN / DH45PWGN / DH50PW / DH70PW / DH70PWKN / DH70PWGN

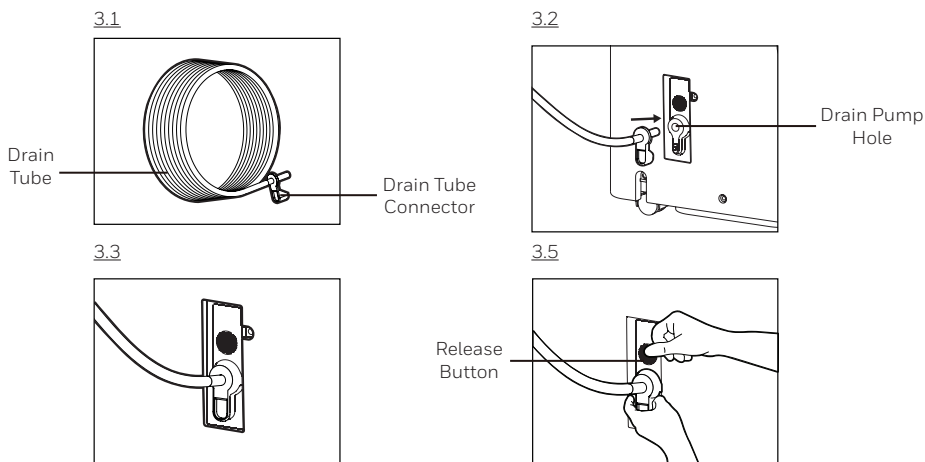
3. Continuous Water Drainage – Using the Drain Pump Option (Drain Tube included)

The Continuous Drain Pump is available if you want to use the continuous drain function, but the drain is further away, or located above the dehumidifier. A 16.4ft (5m) long drain tube* can be attached to the continuous drain pump located on the back side of the dehumidifier. When the water level in the water tank reaches a certain level, the drain pump will automatically pump the water out of the tank to the drain. This allows you to drain water condensation vertically or horizontally, even if the drain is located above the dehumidifier.

- 3.1 Unwrap the drain tube from the dehumidifier and locate the drain tube connector on one end of the drain tube.
- 3.2 Insert the drain tube connector into the drain pump hole located on the rear side of the dehumidifier.
- 3.3 Push the drain tube connector into the drain pump hole until you hear a “click” sound.
- 3.4 Place the other end of the drain tube into the sink or drain. The water can be pumped up to 16.4ft (5m) vertically or horizontally.

NOTE: DO NOT use an alternative drain tube that is longer than the one provided with the unit.

- 3.5 To disconnect the drain tube, press the release button above the drain pump hole while pulling the drain tube connector away from the drain pump hole.



*Continuous Drain Tube is included in Dehumidifier models with Continuous Drain Pump feature only.

CLEANING & MAINTENANCE

WARNING: Always switch OFF the dehumidifier and unplug it from the electrical outlet before attempting any cleaning or maintenance of this product.

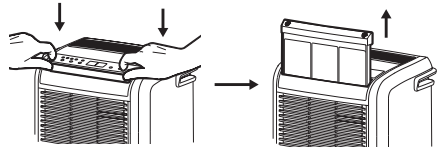
Appliance Maintenance:

- Switch OFF the appliance before disconnecting the power supply.
- Only use a soft cloth to clean the appliance.

Dust Filter Maintenance:

The Dust Filter located at the top of the unit helps to remove dust particles from the air. A dirty filter locked by dust particles can reduce the efficiency of the dehumidifier. For optimum dehumidification, it is recommended to clean the dust filter every 2 weeks:

1. Switch OFF the dehumidifier. Press down on the dust filter with 2 hands to release the dust filter from the top of the unit.
2. Rinse the dust filter under running water, or vacuum away the dust with a vacuum cleaner.
3. After cleaning the dust filter, dry in a cool, shaded place, then carefully reinstall into the unit.



End of Season Storage & Maintenance:

If the appliance will not be used for an extended period of time:

- Switch OFF the unit and unplug from the electrical power outlet.
- Empty the water tank and let it dry. If your dehumidifier is connected to the continuous drain hose, you must disconnect the hose, dry and then replace the drain cap and rubber stopper back into the drain outlet.
- Remove the air filter and clean with water. Let the air filter dry and reinstall back into the unit.
- Make sure all parts of the dehumidifier and accessories are dry before storage.
- Cover the dehumidifier with a cloth/ plastic bag before storage, to protect the surface from dust and scratches.
- It is recommended to coil the power cord and store it off the floor to ensure it is protected from bends and kinks.
- Store the unit upright in a dry location, away from direct sunlight.

AUTO RESTART FUNCTION



This unit is equipped with an Auto Restart feature. When there is a power outage, the dehumidifier will automatically resume its previous settings upon regaining power.

TROUBLESHOOTING GUIDE

The following troubleshooting guide addresses the most common problems. If problems persist, call customer service.

PROBLEM	POSSIBLE CAUSE	SOLUTION
Dehumidifier does not start	No electricity.	Check for power.
	The power cord is not properly plugged in.	Remove and reconnect the power cord.
	The safety switch activated on the electrical plug.	Reset the safety switch and wait for 3 minutes to pass. Contact customer service if problem persists.
Unit runs but the humidity level does not decrease	The humidity level setting is too high.	Decrease the humidity level setting.
	A door or window is open, letting in new moisture.	Make sure all windows or doors to the outside are closed and tightly sealed.
	There are other sources of humidity in the room (e.g. boiling water in pot).	Switch on the dehumidifier when these sources are not present.
	The temperature in the room is too low.	The dehumidifier is designed to operate between 41°F (5°C) and 89°F (32°C). Moisture removal is greatly reduced if room temperatures exceed this temperature range.
	The dust filter is dirty/ blocked.	Clean the dust filter.
	Air outlet or intake is blocked.	Remove blockage.

TROUBLESHOOTING GUIDE (CONTINUED)

PROBLEM	POSSIBLE CAUSE	SOLUTION
Dehumidifier runs constantly/ does not stop	Area to be dehumidified is too large.	The capacity of your dehumidifier may not be adequate for the room it is used in. It is recommended to add an extra dehumidifier for large areas.
	A door or window is open, letting in new moisture.	Make sure all windows or doors to the outside are closed and tightly sealed.
Water Tank Full  is illuminated and the unit is beeping	The water tank is full.	Empty the water tank.
	The water tank is not in the correct position.	Position the water tank correctly into the unit. Unit will not operate until the water tank is secure in place.
The unit is blowing cold air out of the top vent	The purpose of the top air vent is to distribute air into the room.	The temperature of the air from the vent depends on the room environment and other factors. It can fluctuate and this is normal. No action required.
Defrost  is illuminated	The temperature of the room is too low.	The dehumidifier may not work effectively in low temperature environments. Increase the temperature of the room or wait until the temperature increases to use the dehumidifier.
Frost appears on the coils	Dehumidifier has been recently turned on in low room temperatures (usually below 41°F (5°C)).	This is normal. Frost will disappear in an hour or so after the dehumidifier is switched OFF.
Connected the continuous drain but the water condensation is not draining out the tube	Some floors may have an uneven surface which may affect the continuous drainage function	Raise the front of the Dehumidifier ½ to 1 inch (1.27 cm to 2.54 cm) from the floor. The water condensation will drain out the back hose and not into the bucket.

TROUBLESHOOTING GUIDE (CONTINUED)

PROBLEM	POSSIBLE CAUSE	SOLUTION
Water on the floor	The garden hose/ drain hose may be loose.	Check the connections between the hose and the drain outlet on the unit. See Continuous Water Drainage section.
	You intended to use the water tank to collect water but the continuous drain hose is still connected.	Disconnect the hose and replace the rubber stopper and drain cap if using the water tank to collect water. See Continuous Water Drainage section.
Noise	Fan is working.	Wind from the fan can create sounds during operation. This is a normal sound.

ERROR CODE GUIDE

ERROR CODE	POSSIBLE CAUSE	DESCRIPTION
"30"	Humidity Sensor Failure (Below 30%RH)	<p>If "30" appears, it means the room's relative humidity exceeds the lowest 30%RH level and the unit will pause operation. You can switch the unit ON again when the relative humidity reaches a level above 30% for 2 hours or more.</p> <p>If the "30" appears again, please contact the Customer Service Center.</p>
"90"	Humidity Sensor Failure (over 90%RH)	<p>If "90" appears, it means the room's relative humidity exceeds the highest 90%RH level and the unit will pause operation. You can switch the unit ON again when the relative humidity reaches a level below 90% for 2 hours or more.</p> <p>If the "90" appears again, please contact the Customer Service Center.</p>
"Lo"	Temperature Sensor Failure (below 32°F / 0°C)	<p>If "Lo" appears, it means the ambient room temperature is too cold, below 32°F (0°C) and so operation will be paused. You can switch ON the unit again when the ambient temperature warms up to 41°F (5°C) or higher for 2 hours or more.</p> <p>If "Lo" appears again, please contact the Customer Service Center.</p>
"Hi"	Temperature Sensor Failure (over 122°F / 50°C)	<p>If "Hi" appears, it means the ambient room temperature is too hot, or above 122°F (50°C) and so operation will be paused. Move the unit away from any heat source that may be causing this hot temperature. You can switch ON the unit again when the ambient temperature cools down to 89°F (32°C) or lower for 2 hours or more.</p> <p>If "Hi" appears again, please contact the Customer Service Center.</p>



Electrical products should be properly disposed of.
Please recycle where facilities exist.
Check with your local authority or retailer for recycling.

Merci d'avoir acheté un déshumidificateur Honeywell. Ce manuel d'utilisation est destiné à vous fournir des informations importantes nécessaires pour mettre en place, exploiter, entretenir et dépanner ce produit.

RÈGLES DE SÉCURITÉ

ATTENTION -- LIRE ET CONSERVER CES INSTRUCTIONS AVANT D'UTILISER CE PRODUIT.

L'utilisateur de produits électriques peuvent créer des risques qui incluent, mais ne sont pas limités à des blessures, un incendie, choc électrique. Le non-respect de ces instructions peut endommager et / ou entraver son fonctionnement et annulera la garantie. En cas d'incohérence ou de conflit entre la version anglaise et tout autre version linguistique du contenu de ce matériel, la version anglaise prévaudra.

Lorsque vous utilisez des appareils électriques, des précautions de sécurité de base doivent toujours être suivies:

- NE PAS toucher le déshumidificateur ou la fiche électrique avec les mains mouillées.
- Vérifier la tension des ménages pour assurer qu'il correspond aux caractéristiques de l'appareil.
- Avant d'utiliser, enlever tous les matériaux d'emballage et vérifier pour les dommages qui auraient pu survenir pendant le transport.
- NE PAS utiliser un produit avec un cordon ou fiche endommagé.
- NE PAS utiliser un câble de rallonge avec cet appareil.
- NE PAS faire fonctionner le cordon d'alimentation sous un tapis, ou le couvrir avec des tapis ou des couvreurs. Gardez le cordon loin des endroits où il peut trébucher dessus.
- Toujours débrancher le déshumidificateur avant de vider le réservoir d'eau.
- L'eau recueillie dans le réservoir doit être jeté. L'eau ne doit jamais être utilisée pour la boisson.
- Toujours débrancher le déshumidificateur et retirez l'eau du réservoir d'eau avant de le nettoyer, ou le déplacement de l'unité.
- Retirez le cordon d'alimentation de la prise électrique en saisissant et en tirant sur le cordon d'alimentation branchez-end seulement, ne tirez jamais sur le cordon.
- Cet appareil a été fabriqué pour être utilisé dans des environnements domestiques et ne doit pas être utilisé à d'autres fins.
- NE PAS utiliser le produit dans des zones où l'essence, de la peinture ou d'autres biens et objets inflammables utilisées ou stockées.
- Ce déshumidificateur est conçu pour les applications résidentielles intérieures seulement. Il ne doit pas être utilisé pour applications commerciales ou industrielles.
- NE PAS tenter de réparer ou ajuster les fonctions électriques ou mécaniques de la déshumidificateur, comme ce peuvent représenter un danger et annulera la garantie.
- NE PAS couvrir l'entrée d'air ou la sortie de l'appareil, car cela pourrait causer panne de l'appareil.
- NE PAS insérer ou laisser des objets pénètrent toute ouverture de ventilation ou d'évacuation car cela pourrait endommager le produit et pourrait provoquer un choc électrique ou un incendie.

- NE PAS les enfants jouer avec cet appareil, l'emballage ou sac en plastique inclus.
- Si l'appareil est endommagé ou fonctionne mal, ne pas continuer à fonctionner. Débranchez l'appareil de la prise électrique. Reportez-vous à la section de dépannage et contacter le centre de support client.
- Toujours placer le déshumidificateur sur un sol de niveau.
- Ne jamais installer le produit près d'une baignoire ou un réservoir d'eau.
- Conserver dans un endroit sec, à l'abri des rayons du soleil, lorsqu'il n'est pas en utilisation.
- Cet appareil et ses matériaux d'emballage ne sont pas destinés à être utilisés par des personnes (y compris les enfants ou capacités âgées) avec physique réduite, sensorielles ou mentales, ou le manque d'expérience et de connaissances, à moins qu'ils ont eu des supervisions ou instructions concernant l'utilisation de l'appareil par une personne responsable de leur sécurité.
- Toujours saisir les poignées latérales et garder l'unité en position verticale lors du transport d'une pièce à un autre. NE PAS incliner le produit sur le côté ou à l'envers.
- Si le déshumidificateur a été transporté ou incliné sur le côté, vous devez positionner à la verticale et attendez au moins 4 heures avant de l'utiliser.
- **AVERTISSEMENT:** Pour réduire le risque d'incendie ou de choc électrique, ne pas utiliser cet appareil avec un dispositif de contrôle de vitesse à l'état solide.

COMMENT UN DÉSHUMIDIFICATEUR FONCTIONNE

Lorsque le déshumidificateur est en marche, un ventilateur aspire l'air chargé d'humidité dans le déshumidificateur où il passe à travers les bobines de déshumidification à l'intérieur de l'appareil. Ces bobines se condensent l'humidité de l'air et de collecter dans le réservoir d'eau. L'air sec est ensuite évacué par le déshumidificateur. L'air circule par les bouches d'air du déshumidificateur dans la pièce comme air chaud et sec.

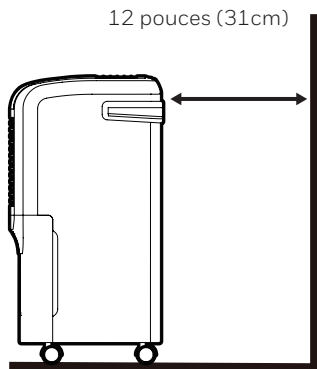
IMPORTANT: Le déshumidificateur est conçu pour fonctionner entre 41 ° F (5°C) et 89 ° F (32°C). La performance de déshumidificateur peut être considérablement réduite si la température ambiante dépasse ce champ de température.

CHOIX DE L'EMPLACEMENT - IMPORTANT

- Avant d'utiliser le déshumidificateur, placez l'appareil en position verticale pendant au moins 1 heure avant de l'utiliser pour permettre au réfrigérant de se stabiliser. Si l'appareil était incliné sur le côté ou à l'envers pendant le transport, régler l'appareil en position verticale pendant 4 heures avant de l'utiliser.
- Pour une efficacité optimale, le déshumidificateur doit être utilisé dans un endroit clos. Gardez toutes les portes, fenêtres et autres entrées extérieures à la pièce fermées.



- Placez le déshumidificateur au moins 12 pouces (31cm) de distance d'autres objets (par exemple des rideaux ou des meubles) qui peuvent restreindre le flux d'air à l'avant ou à travers les bouches d'aération de l'unité.
- Le déshumidificateur doit être placé sur un sol de niveau.



IMPORTANT: L'efficacité du déshumidificateur peut être influencé par différents facteurs. L'un des facteurs est la vitesse à laquelle l'air neuf, chargé d'humidité pénètre dans la chambre et la quantité d'air circulant dans et hors de la zone à déshumidifier. Par exemple, si une porte à un sous-sol est constamment ouverte, laissant l'air neuf, chargé d'humidité dans la pièce, la déshumidification sera plus longue que si la porte a été maintenu fermé. Si le déshumidificateur est dans une chambre avec placard de rangement ou armoires, il aura peu ou pas d'effet dans séchage à l'intérieur de l'armoire de stockage ou armoires moins qu'il y ait une bonne circulation de l'air dans et en dehors de ces endroits. Pour déshumidifier ces lieux, ouvrir la porte de stockage ou de portes d'armoires pour permettre la circulation de l'air. Vous pouvez constater que l'installation d'un deuxième déshumidificateur peut être nécessaire pour des espaces clos plus grands.

DÉBALLAGE DU DÉSHUMIDIFICATEUR

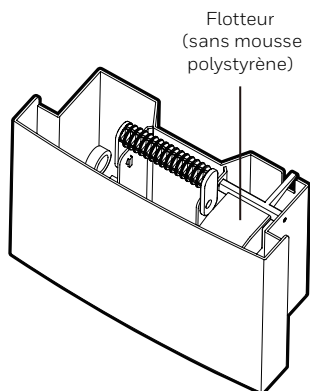
Le déshumidificateur est emballé à l'aide d'un ruban adhésif coloré ou transparent pour sécuriser certaines pièces pendant le transport.

Retirez le ruban adhésif coloré ou transparent de l'appareil.

Retirez ce ruban adhésif d'emballage avant toute utilisation. Si vous le laissez en place, le déshumidificateur ne pourra pas se mettre en route et un voyant rouge clignotant se déclenchera.

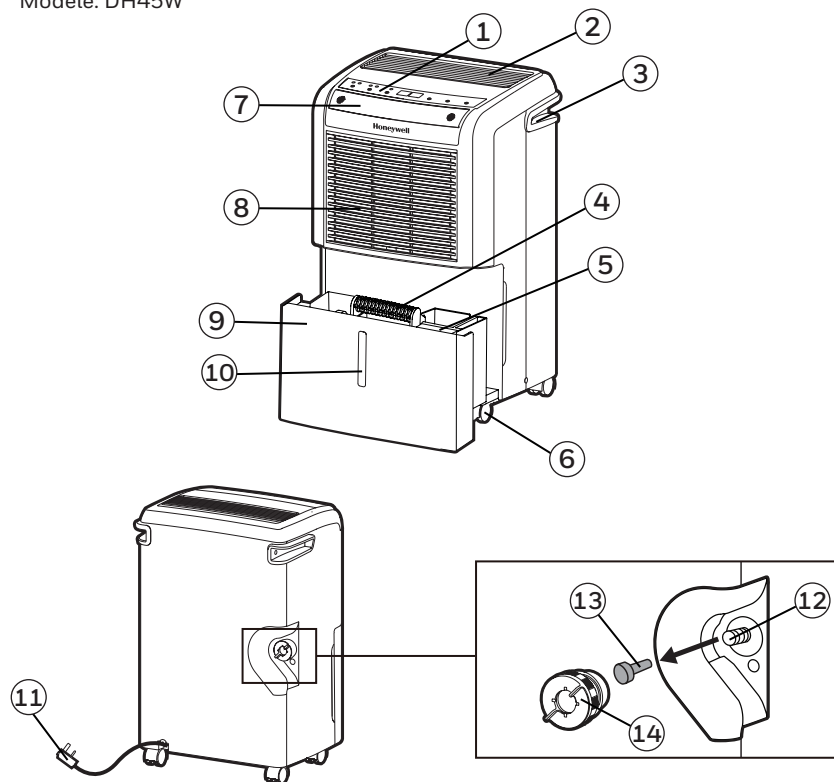
Un flotteur (sans mousse polystyrène) en mousse est logé à l'intérieur du réservoir d'eau. Ce flotteur a été conçu pour détecter le niveau de l'eau à l'intérieur du réservoir.

NE RETIREZ PAS LE FLOTTEUR.



DESCRIPTION DES PIÈCES

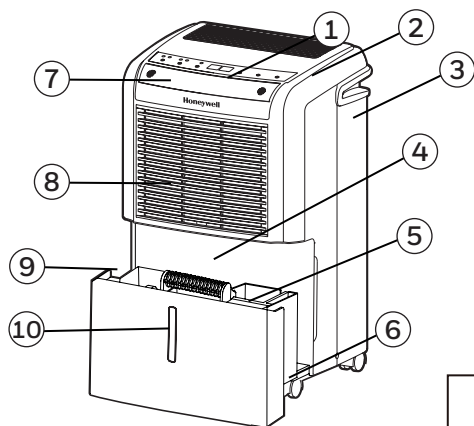
Modèle: DH45W



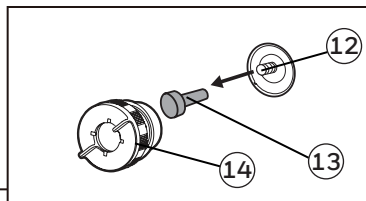
- | | |
|---------------------------------------|--------------------------------|
| 1) Panneau de configuration | 8) Grilles d'aération |
| 2) Échappement déshumidifié vent | 9) Réservoir d'eau |
| 3) Poignée | 10) Indicateur de niveau d'eau |
| 4) Poignée du réservoir d'eau | 11) Cordon électrique & prise |
| 5) Flotteur (sans mousse polystyrène) | 12) Sortie de vidange directe |
| 6) Roulettes | 13) Bouchon en caoutchouc |
| 7) Filtre à poussière lavable | 14) Bouchon de vidange |

DESCRIPTION DES PIÈCES (SUITE)

Modèle: DH45WGN / DH45WKN / DH45PWKN / DH45PWGN / DH50W /
DH50PW / DH70W / DH70PW / DH70WKN / DH70WGN / DH70PWKN / DH70PWGN

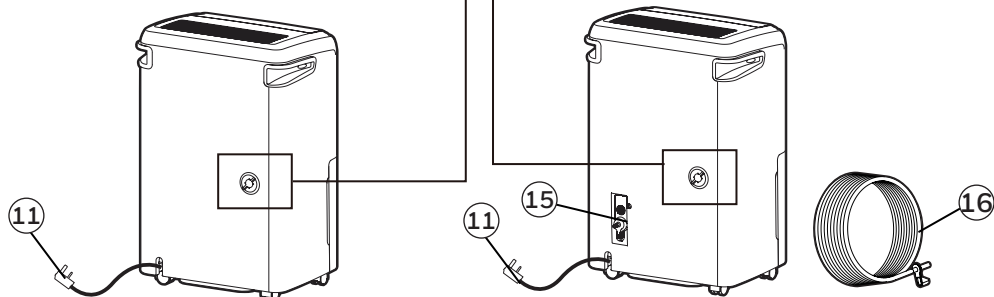


DH45WGN / DH45WKN / DH50W /
DH70W / DH70WKN / DH70WGN



MODÈLES AVEC POMPE DE VIDANGE INTÉGRÉE:

DH45PWKN / DH45PWGN / DH50PW /
DH70PW / DH70PWKN / DH70PWGN

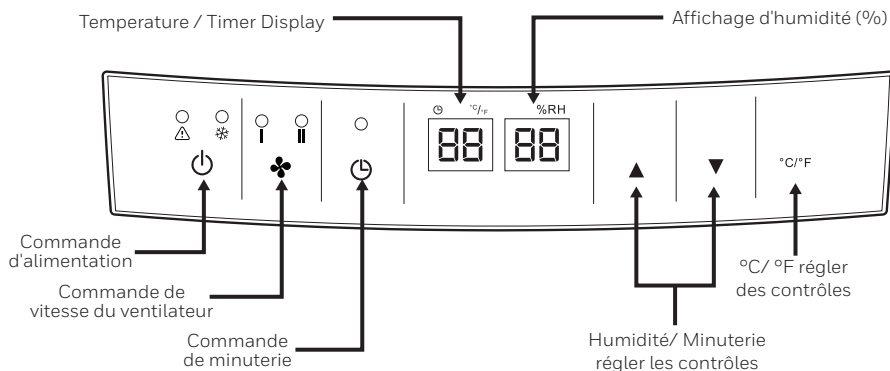


- | | |
|---------------------------------------|--------------------------------|
| 1) Panneau de configuration | 8) Grilles d'aération |
| 2) Échappement déshumidifié vent | 9) Réservoir d'eau |
| 3) Poignée | 10) Indicateur de niveau d'eau |
| 4) Poignée du réservoir d'eau | 11) Cordon électrique & prise |
| 5) Flotteur (sans mousse polystyrène) | 12) Sortie de vidange directe |
| 6) Roulettes | 13) Bouchon en caoutchouc |
| 7) Filtre à poussière lavable | 14) Bouchon de vidange |

UNIQUEMENT POUR LES MODÈLES AVEC POMPE DE VIDANGE INTÉGRÉE

- | | |
|----------------------------------|----------------------|
| 15) Pompe de drainage en continu | 16) Tube de drainage |
|----------------------------------|----------------------|


PANNEAU DE CONFIGURATION



Contrôle de l'alimentation

Appuyez sur  pour mettre le déshumidificateur ON ou OFF.

Indicateur lumineux de réservoir d'eau plein

Cet indicateur lumineux lorsque le réservoir d'eau est plein d'eau ou si le réservoir d'eau est mal positionné sur l'unité. Pour éteindre , vider le réservoir d'eau et assurez-vous que le réservoir est bien fixé en place. Retirer de l'appareil.

Dégivrage lumière

Cette indiquent que la température ambiante est trop basse. Augmenter la température ambiante ou attendre jusqu'à ce que la température augmente pour éteindre  et de tourner le déshumidificateur en marche à nouveau.

Contrôle de la vitesse du ventilateur

Appuyez sur pour régler la vitesse du ventilateur.

Il ya 2 vitesses à sélectionner: **Haute** || / **Bas** |

Il en résulte une hausse de la vitesse du ventilateur en retrait rapide de l'humidité.


PANNEAU DE CONFIGURATION (SUITE)

Minuterie de contrôle


Le déshumidificateur peut être réglé pour commuter automatiquement sur ON ou OFF après une période de temps choisie (entre 1-24 des intervalles d'une heure). La sélection des heures minuterie est affichée sur l'écran d'affichage Timer/ Température.

REMARQUE: Avant de régler la minuterie de contrôle, assurez-vous qu'il est le pouvoir de l'unité.

Arrêt automatique:

Lorsque l'appareil est en marche, appuyez sur  puis appuyez sur ou détiennent le ▲ ou ▼ pour sélectionner le nombre d'heures que vous souhaitez que l'appareil de fonctionner avant qu'il arrête. L'appareil passe automatiquement au bout de la période de temps de jeu est écoulé. Vous devez répéter la minuterie a mis en place des procédures pour réinitialiser la minuterie pour la prochaine utilisation, si nécessaire.

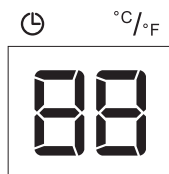
Mise en marche automatique:


Lorsque l'appareil est en mode veille, appuyez sur  et ▲ ou ▼ pour sélectionner le nombre d'heures jusqu'à ce que vous souhaitez que l'appareil se déclenche automatiquement. La vitesse du ventilateur précédente et réglage de l'humidité seront maintenus. L'appareil continue de fonctionner jusqu'à ce que le réservoir d'eau est plein (sauf si l'appareil est mis en place pour un drainage continu) ou jusqu'à ce que vous l'éteignez manuellement.

REMARQUE: Pour annuler les réglages de minuterie, appuyez simplement sur , puis appuyez sur ou maintenez le ▲ ou ▼ jusqu'à ce que l'affichage horloge indique '0'.

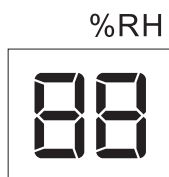
PANNEAU DE CONFIGURATION (SUITE)

Température/ Minuterie affichage



Lorsque l'appareil est en marche, l'affichage de température / chronomètre indique la température actuelle de la pièce. En appuyant sur la minuterie  se met temporairement l'écran pour afficher le réglage de la minuterie (en heures) pendant 10 secondes, avant de revenir à l'affichage de la température.

Réglage contrôle de l'humidité



Lorsque l'appareil est en marche, l'humidité affichage indique le pourcentage d'humidité actuel. Appuyez sur ▲ ou ▼ pour sélectionner votre niveau d'humidité préféré. L'humidité est réglée par incréments de 5% en appuyant sur ▲ ou ▼. La gamme réglable humidité relative (HR) est compris entre 30% HR à 90% HR. Dix secondes après avoir réglé le réglage de l'humidité préféré, l'affichage revient à l'affichage de l'humidité actuelle.

Réglages recommandés: Il est recommandé de laisser la machine en marche à 30% d'humidité à haute vitesse du ventilateur pendant les 2 à 3 premiers jours jusqu'à ce que les odeurs humides sont supprimés. Après quelques jours lorsque l'humidité relative a été réduite à un niveau plus confortable, appuyez sur ▲ ou ▼ de choisir une meilleure RH% qui maintient un niveau d'humidité confortable par la suite. Un taux d'humidité sain recommandée est comprise entre 40% et 50%.

REMARQUE: Le capteur d'humidité détecte l'humidité actuelle dans le périmètre avoisinant. Il est normal d'observer une variance de 3-5 °C (5-9 °F) dans la sensibilité d'humidité du capteur.

°C/ °F Options d'affichage

Appuyez sur °C/ °F pour modifier l'affichage de la température en degrés Celsius °C en degrés Fahrenheit °F.

VIDANGE DE L'EAU



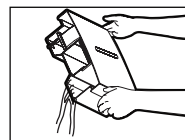
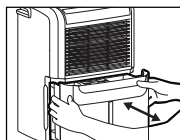
AVERTISSEMENT: Toujours égoutter et disposer eau recueillie à partir de déshumidification. L'eau est propre et ne peut pas être utilisée pour la boisson.

1. Vidange de l'eau recueillie dans le réservoir d'eau

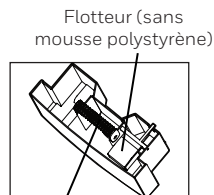
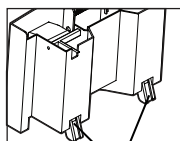
L'eau condensée peut être recueillie directement dans le réservoir d'eau. Lorsque le réservoir d'eau est plein, le déshumidificateur coupe automatiquement et  éclairera sur le panneau de contrôle suivi d'un bip sonore.

IMPORTANT: Ne pas déplacer le déshumidificateur lorsque le réservoir d'eau est plein comme il sera lourde et peut provoquer un écoulement d'eau.

1.1 Placer le réservoir d'eau à l'avant du déshumidificateur. Tirez doucement sur le réservoir d'eau et placez-le sur le sol. Deux stands situés au fond de la cuve d'eau seront automatiquement étendus pour aider à équilibrer le réservoir sur le sol.



1.2 Saisir la poignée à l'intérieur du réservoir d'eau et porter le réservoir d'eau à un puits à vider.



1.3 Remplacez le réservoir d'eau vide à l'avant du déshumidificateur. Assurez-vous que le réservoir est correctement positionné. La fonction de sécurité a été conçue pour vérifier tout alignement inapproprié du réservoir et pour bloquer la mise en route de l'appareil.

Stands*

Poignée du réservoir d'eau

IMPORTANT: Un mauvais alignement ou positionnement du réservoir d'eau peut entraîner des pauses d'opération, le témoin au-dessus du déshumidificateur s'illuminera suivie par un signal sonore, jusqu'à ce que le réservoir d'eau est monté correctement.

REMARQUE: Il y a un flotteur (sans mousse polystyrène) à l'intérieur du réservoir d'eau qui détecte le niveau d'eau pour arrêter automatiquement la déshumidification lorsque le réservoir d'eau est plein. Assurez-vous que le flotteur est positionné correctement à l'intérieur du réservoir d'eau en faisant en sorte qu'il se trouve de niveau avec le bord supérieur du réservoir d'eau.

*Ne s'applique qu'aux modèles DH45WGN / DH45WKN / DH45PWKN / DH45PWGN / DH50W / DH50PW / DH70W / DH70PW / DH70WKN / DH70WGN / DH70PWKN / DH70PWGN.

VIDANGE DE L'EAU (SUITE)

2. Drainage de l'eau continue – Utilisez un tuyau d'arrosage (tuyau non inclus)

Pour une vidange d'eau continue avec un tuyau d'arrosage, vous aurez besoin d'un tuyau d'arrosage* et une évacuation d'eau approprié (par exemple un trou de vidange évier au niveau du sol) près du déshumidificateur.

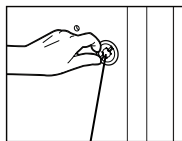
2.1 Localiser l'orifice d'évacuation situé à l'arrière de l'appareil.

2.2 Dévissez et retirez les deux bouchon de vidange et le bouchon de caoutchouc.

2.3 Localisez le connecteur femelle à une extrémité du tuyau d'arrosage. Insérez le tuyau d'arrosage sur la sortie de vidange du déshumidificateur. Visser et serrer le raccord de tuyau de jardin sur la partie fileté de l'orifice d'évacuation, assurant que le raccord de tuyau est fixé à assurer qu'il n'y aura pas de fuites. En cas de fuites, le tuyau et l'orifice d'évacuation ne peuvent pas être connectés correctement. Débranchez, remplacez et serrez de nouveau le raccord de tuyau de jardin.

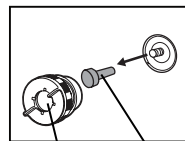
2.4 Placez l'autre extrémité du tuyau d'arrosage dans l'évier ou un drain. Assurez-vous que le tuyau ne soit pas plié ou tordu qui pourrait arrêter l'écoulement de l'eau. Assurez-vous que le tuyau est fixé sur le drain et ne tombe pas de lieu provoquant le déversement de l'eau indésirable.

2.1



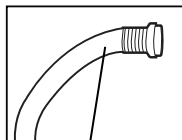
Sortie de vidange directe

2.2



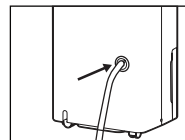
Bouchon de vidange Bouchon en caoutchouc

2.3



Tuyau d'arrosage

2.4



IMPORTANT: Assurez-vous que l'eau peut couler le tuyau d'arrosage en gardant le tuyau orienté vers le bas et sans pliure ou étranglement.

IMPORTANT: Si vous arrêtez d'utiliser la fonction continue de vidange, le bouchon de vidange et le bouchon de caoutchouc doivent être replacés avant utilisation pour éviter les fuites.

VIDANGE DE L'EAU (SUITE)

UNIQUEMENT POUR LES MODÈLES AVEC POMPE DE VIDANGE INTÉGRÉE

DH45PWKN / DH45PWGN / DH50PW / DH70PW / DH70PWKN / DH70PWGN

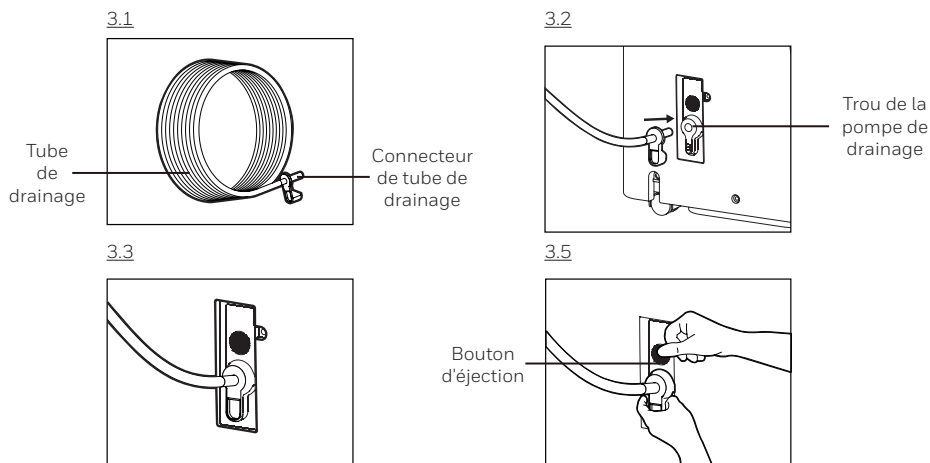
3. Drainage de l'eau en continu – Utilisez un tuyau d'arrosage (tuyau non inclus).

La pompe de drainage en continu est disponible pour les cas où vous avez besoin d'un drainage ininterrompu, mais que le point de drainage se trouve trop éloigné, ou situé au-dessus de l'humidificateur. Un tube de drainage* de 5 mètres (16,4 pieds) peut être fixé à la pompe de drainage en continu présente sur l'arrière du déshumidificateur. Lorsque le niveau de l'eau du réservoir d'eau monte à un certain niveau, la pompe de drainage s'active automatiquement pour retirer l'eau du réservoir. Cela permet de drainer la condensation d'eau verticalement ou horizontalement, même si le point de drainage est situé au-dessus du déshumidificateur.

- 3.1 Déroulez le tube de drainage hors du déshumidificateur et localisez le point de connexion du tube de drainage présent à une extrémité du tube.
- 3.2 Insérez le connecteur du tube de drainage dans le trou de la pompe de drainage présent sur l'arrière du déshumidificateur.
- 3.3 Poussez le connecteur dans le trou de la pompe de drainage jusqu'à ce que vous entendiez un "clic".
- 3.4 Positionnez l'autre extrémité du tube de drainage dans l'évier ou dans un point de drainage. L'eau peut être pompée sur 5 mètres (16,4 pieds) verticalement ou horizontalement, selon la situation.

REMARQUE: NE PAS utiliser un tube de drainage alternatif qui est plus long que celui inclus avec l'unité.

- 3.5 Pour débrancher le tube de drainage, appuyez sur le bouton d'éjection sur le dessus du trou de la pompe de drainage et tirez sur le connecteur du tube pour le retirer du trou.



*Le tube de drainage en continu est inclus avec les modèles de déshumidificateurs équipés d'une pompe de drainage en continu seulement.

NETTOYAGE ET ENTRETIEN

AVERTISSEMENT: Eteignez toujours le déshumidificateur et le débrancher de la prise électrique avant de le nettoyer ou d'entretien de ce produit.

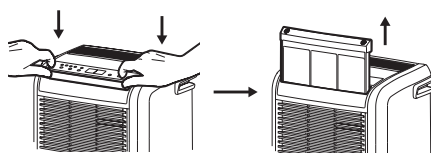
Entretien d'appareils:

- Eteignez l'appareil avant de débrancher l'alimentation.
- Utilisez uniquement un chiffon doux pour nettoyer l'appareil.

Entretien de filtre à poussière:

Le filtre à poussière situé au dessus de l'appareil permet d'éliminer les particules de poussière de l'air. Un filtre sale bloqué par des particules de poussière peut réduire l'efficacité du déshumidificateur. Pour déshumidification optimale, il est recommandé de nettoyer le filtre à poussière toutes les 2 semaines:

1. Switch OFF the dehumidifier. Press down on the dust filter with 2 hands to release the dust filter from the top of the unit.
2. Rinse the dust filter under running water, or vacuum away the dust with a vacuum cleaner.
3. After cleaning the dust filter, dry in a cool, shaded place, then carefully reinstall into the unit.



Fin de la saison de stockage et de maintenance:

Si l'appareil ne sera pas utilisé pendant une longue période de temps:



- Eteignez l'appareil et débranchez la prise de courant électrique.
- Videz le réservoir d'eau et laissez sécher. Si votre déshumidificateur est relié au tuyau d'évacuation en continu, vous devez débrancher le tuyau, sec et ensuite replacer le bouchon de vidange et le bouchon en caoutchouc dans la prise de vidange.
- Retirer le filtre à poussière et le nettoyer avec de l'eau. Laissez filtrer l'air sec et réinstaller dans l'unité.
- Assurez-vous que toutes les parties du déshumidificateur et accessoires sont secs avant le stockage.
- Couvrir le déshumidificateur avec un sac en tissu / plastique avant de le ranger, pour protéger la surface de la poussière et des rayures
- Il est recommandé d'enrouler le cordon d'alimentation et le stocker sur le sol pour vérifier qu'il est protégé contre les courbes et les plis.
- Rangez l'appareil en position verticale dans un endroit sec, à l'abri du soleil direct.

FONCTION DE REDÉMARRAGE AUTOMATIQUE

Cet appareil est doté d'une fonction de redémarrage automatique. Dès que le courant sera rétabli après une panne d'électricité, le déshumidificateur se remettra automatiquement en route, paramétré aux réglages précédents.

Le guide de dépannage suivant aborde les problèmes les plus courants. Si le problème persiste, appelez le service à la clientèle.

PROBLÈME	CAUSE POSSIBLE	SOLUTION
Déshumidificateur ne démarre pas	Pas d'électricité.	Vérifiez le courant.
	Le cordon d'alimentation est mal branché.	Débranchez puis rebranchez le cordon d'alimentation.
	L'interrupteur de sécurité activé sur la prise électrique.	Réinitialiser l'interrupteur de sécurité et attendre 3 minutes pour passer. Contactez le service clientèle si le problème persiste.
Appareil fonctionne mais le niveau d'humidité ne diminue pas	Le réglage du niveau d'humidité est trop élevé.	Diminuer le réglage du niveau d'humidité.
	Une porte ou une fenêtre est ouverte, laissant à nouveau l'humidité.	Assurez-vous que toutes les fenêtres ou portes vers l'extérieur sont fermées et bien fermés.
	Il existe d'autres sources d'humidité dans la chambre (par exemple l'eau ouillante en pot).	Allumez le déshumidificateur lorsque ces sources ne sont pas présents.
	La température dans la chambre est trop faible.	Le déshumidificateur est conçu pour fonctionner entre 41 ° F (5 ° C) et 89 ° F (32 ° C). Élimination de l'humidité est considérablement réduit si la température ambiante dépasse ce champ de température.
	Le filtre à poussière est sale/ bloqué.	Nettoyez le filtre à poussière.
	Sortie d'air ou la absorption est bloquée.	Retirer le blocage.

PROBLÈME	CAUSE POSSIBLE	SOLUTION
Déshumidificateur fonctionne en permanence / ne s'arrête pas	L'espace à déshumidifier est trop grand.	La capacité de votre déshumidificateur peut ne pas être suffisante pour la chambre il est utilisé. Il est recommandé d'ajouter un déshumidificateur supplémentaire pour les grandes surfaces.
	Une porte ou une fenêtre est ouverte, laissant à nouveau l'humidité.	Assurez-vous que toutes les fenêtres ou portes vers l'extérieur sont fermées et strictement fermés.
Réservoir d'eau plein  est allumé et l'appareil émet un signal sonore	Le réservoir d'eau est plein.	Videz le réservoir d'eau.
	Le réservoir d'eau se trouve pas dans la position correcte.	Placez le réservoir d'eau correctement dans l'appareil. l'appareil ne fonctionnera pas jusqu'à ce que le réservoir d'eau est fixée en place.
L'appareil souffle l'air froid par le système d'aération supérieur.	Le système d'aération supérieur est conçu pour distribuer l'air dans toute la pièce.	La température de l'air provenant de l'aération dépend de l'environnement de la pièce et d'autres facteurs. Des fluctuations existent et il est normal d'observer ces fluctuations. Aucune action n'est requise.
Le dégivrage  est allumée	La température de la pièce est trop faible.	Le déshumidificateur ne peut pas fonctionner efficacement dans un environnement à basse température. Augmenter la température de la pièce ou attendre jusqu'à ce que la température augmente pour utiliser le déshumidificateur.
Gel apparaît sur les bobines	Le déshumidificateur a été récemment tourné dans des températures ambiantes basses (généralement au-dessous de 41 ° F (5 ° C)).	Ceci est normal. Gel disparaîtra dans une heure ou deux après le déshumidificateur est arrêté.
Le dispositif d'évacuation continue est raccordé, mais la condensation d'eau ne s'évacue pas du conduit.	Certains planchers comportent une surface irrégulière et altèrent la fonction d'évacuation continue.	Surélevez le déshumidificateur de 1,27 cm à 2,54 cm (1/2 à 1 po) du sol. La condensation d'eau s'évacuera par le tuyau arrière, et non par le bac de récupération d'eau.

PROBLÈME	CAUSE POSSIBLE	SOLUTION
L'eau sur le sol	Le tuyau de vidange / d'arrosage peut être relâché.	Vérifiez les connexions entre le tuyau et l'orifice d'évacuation de l'appareil. Voir la section d'écoulement d'eau continu.
	Vous aviez l'intention d'utiliser le réservoir d'eau pour recueillir l'eau mais le tuyau de vidange continue est toujours connecté.	Débrancher le tuyau et replacer le bouchon de caoutchouc et le bouchon de vidange si vous utilisez le réservoir d'eau pour recueillir l'eau. Voir la section d'écoulement d'eau continu.
Bruit	Ventilateur fonctionne.	Vent du ventilateur peut créer des sons en cours de fonctionnement. Ceci est un son normal.

CODE D'ERREUR	CAUSE POSSIBLE	DESCRIPTION
"30"	Défaillance du capteur d'humidité (Inférieur à 30%RH)	<p>Si le code « 30 » apparaît, cela signifie que l'humidité relative de la pièce se situe sous le taux d'humidité relative le plus bas – soit 30 % – et dans ce cas, l'appareil interrompra le fonctionnement. Vous pouvez rallumer l'appareil lorsque l'humidité relative atteint un taux supérieur à 30 % pendant 2 heures ou plus.</p> <p>Si le code «30» réapparaît, veuillez contacter le centre de service à la clientèle.</p>
"90"	Défaillance du capteur d'humidité (Supérieur à 90%RH)	<p>Si le code « 90 » apparaît, cela signifie que l'humidité relative de la pièce dépasse le taux d'humidité relative le plus élevé – soit 90 % – et dans ce cas, l'appareil interrompra le fonctionnement. Vous pouvez rallumer l'appareil lorsque l'humidité relative atteint un taux inférieur à 90 % pendant 2 heures ou plus.</p> <p>Si le code «90» réapparaît, veuillez contacter le centre de service à la clientèle.</p>
"Lo"	Défaillance du capteur de température (Inférieur à 32°F / 0°C)	<p>Si le code « Lo » apparaît, cela signifie que la température ambiante de la pièce est trop froide, soit inférieure à 0 °C (32 °F); et dans ce cas, le fonctionnement sera interrompu. Vous pouvez rallumer l'appareil lorsque la température ambiante atteint au moins 5 °C (41 °F) pendant 2 heures ou plus.</p> <p>Si le code «Lo» réapparaît, veuillez contacter le centre de service à la clientèle.</p>
"Hi"	Défaillance du capteur de température (Supérieur à 122°F / 50°C)	<p>Si le code « Hi » apparaît, cela signifie que la température ambiante de la pièce est trop chaude, soit supérieure à 50°C (122°F); et dans ce cas, le fonctionnement sera interrompu. Éloignez l'appareil de toute source de chaleur susceptible de provoquer de telles températures importantes. Vous pouvez rallumer l'appareil lorsque la température ambiante descend à au moins 32 °C (89 °F) pendant 2 heures ou plus.</p> <p>Si le code «Hi» réapparaît, veuillez contacter le centre de service à la clientèle.</p>



Produits électriques doivent être bien disposés.
 Se il vous plaît recycler où les équipements existent.
 Vérifiez auprès de votre municipalité ou le détaillant pour le recyclage.

Gracias por comprar un Deshumidificador Honeywell. Este manual de usuario está diseñado para proveer información necesaria para instalar, operar, mantener y solucionar problemas de este producto.

REGLAS DE SEGURIDAD

PRECAUCIÓN -- LEA Y GUARDE ESTAS INSTRUCCIONES ANTES DE USAR ESTE PRODUCTO.

El uso de productos eléctricos puede provocar peligros que incluyen pero no se limitan a lesiones, incendios y descargas eléctricas. La omisión en el seguimiento de estas instrucciones puede dañar y/o perjudicar su operación y anular la garantía. En caso de existir alguna discrepancia o conflicto, en el contenido de este material, entre la versión en Inglés y la versión en cualquier otro idioma prevalecerá la versión en Inglés.

Quando se usen productos eléctricos, deben seguirse medidas básicas de precaución:

- NO toque el deshumidificador o el contacto eléctrico con las manos mojadas.
- Revise el voltaje doméstico para asegurarse que coincida con las especificaciones del producto.
- Antes de operar el producto, remueva todo el material de empaque y revise que no haya daño alguno derivado del transporte de la unidad.
- NO opere ningún producto con un cable o enchufe dañado.
- NO use una extensión eléctrica con este producto.
- NO coloque el cable del producto bajo alfombrados, ni lo cubra con alfombras o canaletas. Mantenga el cable lejos de áreas donde pueda provocar tropiezos.
- Siempre desconecte el deshumidificador antes de vaciar el depósito de agua.
- El agua recolectada en el depósito de agua debe ser desechada. El agua nunca deberá ser usada para beberse.
- Siempre desconecte el deshumidificador y retire el depósito de agua antes de limpiar, dar servicio o reubicar la unidad.
- Retire el cable del producto del suministro eléctrico sujetando y jalando el enchufe únicamente, nunca tire del cable.
- Este producto ha sido fabricado para uso habitacional y no debe ser utilizado para otros propósitos.
- NO use el producto en áreas donde se almacenen o usen productos como gasolina, pintura u otros productos inflamables.
- Este deshumidificador está diseñado para uso en interiores residenciales. No debería ser utilizado con uso comercial o industrial.
- NO trate de reparar o ajustar cualquier función mecánica o eléctrica del deshumidificador, dado que esto puede ser peligroso y anula la garantía.
- NO cubra la toma de aire ni la salida del producto porque esto podría provocar la falla de la unidad.
- NO inserte ni permita que se introduzcan objetos en la toma de aire o salida de aire porque esto podría dañar el producto y podría causar una descarga eléctrica o incendio.

REGLAS DE SEGURIDAD (CONTINUACIÓN)

- NO permita que los niños jueguen con la unidad, el empaque o la bolsa de plástico incluida.
- Si la unidad está dañada o tiene un mal funcionamiento, no continúe utilizándola. Desconecte el producto del suministro eléctrico. Refiérase a la sección de solución de problemas y contacte al servicio de atención a clientes.
- Siempre coloque el deshumidificador en un piso nivelado.
- Nunca instale el producto cerca de alguna bañera o contenedor de agua.
- Guarde la unidad en un lugar seco, lejos de la luz directa del sol, cuando no esté en uso.
- Este producto y todos sus materiales de empaque no están diseñados para ser usados por personas (incluidos niños y adultos mayores) con alguna discapacidad física, sensorial o mental, o con falta de conocimiento y experiencia, a menos de que tengan la supervisión o instrucción al respecto del uso del producto por una persona responsable de su seguridad.
- Siempre sujete las manijas laterales y mantenga la unidad vertical cuando se transporte de una habitación a otra. NO incline el producto a uno de sus costados o al revés.
- Si el deshumidificador fuera transportado o inclinado de lado, debe colocarse en posición vertical de nuevo y esperar al menos 4 horas antes de usarlo.
- **PRECAUCIÓN:** Para reducir el riesgo de incendio o descarga eléctrica, no utilice este producto con algún dispositivo de control de velocidad de estado sólido.

CÓMO TRABAJA UN DESHUMIDIFICADOR

Cuando el deshumidificador es ENCENDIDO (ON), un ventilador ingresa aire que contiene humedad al deshumidificador, donde pasa a través de unas bobinas de deshumidificación. Este proceso condensa la humedad del aire y la concentra en un depósito de agua. El aire seco es entonces expulsado del deshumidificador. El aire fluye a través de las ventilas de aire del deshumidificador como aire cálido y seco.

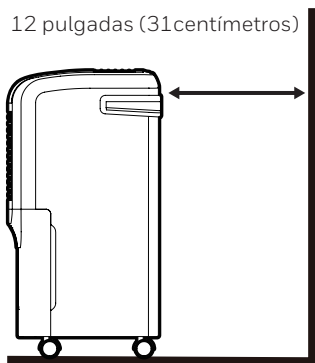
IMPORTANTE: El deshumidificador está diseñado para trabajar con temperaturas entre 41°F (5°C) y 89°F (32°C). El desempeño del deshumidificador puede verse reducido considerablemente si la temperatura de la habitación excede este rango de temperatura.range.

SELECCIONANDO UNA UBICACIÓN - IMPORTANTE

- Antes de utilizar el deshumidificador, coloque la unidad VERTICAL por al gas menos una hora antes de usarlo para permitir al refrigerante estabilizarse. Si la unidad fue colocada en uno de sus costados o se colocó al revés durante su transporte, coloque la unidad de forma vertical por al menos 4 horas antes de usarlo.
- Para una eficiencia óptima, el deshumidificador debe ser operado en un área cerrada. Mantenga todas las puertas, ventanas y otras entradas a la habitación cerradas.



- Coloque el deshumidificador alejado al menos 12 pulgadas (31 centímetros) de cualquier otro objeto (cortinas o muebles, por ejemplo) que puedan obstruir el flujo de aire del frente o por las ventilas de aire de la unidad.
- El deshumidificador debe ser colocado a nivel del suelo.



IMPORTANTE: La eficiencia del deshumidificador puede ser influenciada por diversos factores. Un factor es el tiempo que tarde en entrar aire nuevo, lleno de humedad, a la habitación y la cantidad de aire circulando dentro y fuera del área a ser deshumidificada. Por ejemplo, si una puerta en un sótano es constantemente abierta, permitiendo que aire nuevo y cargado de humedad entre a la habitación, la deshumidificación tomará más tiempo que si la puerta se mantuviera cerrada. Si el deshumidificador está en una habitación con un closet de almacenaje o gabinetes, tendrá un efecto mínimo o nulo en secar el interior del closet o los gabinetes a menos que haya la circulación adecuada dentro y fuera de estos sitios. Para deshumidificar estos lugares, abra las puertas de almacenaje o gabinetes para permitir la circulación. Es posible que la instalación de un segundo deshumidificador sea necesaria para áreas cerradas más grandes.

DESEMPACANDO EL DESHUMIDIFICADOR

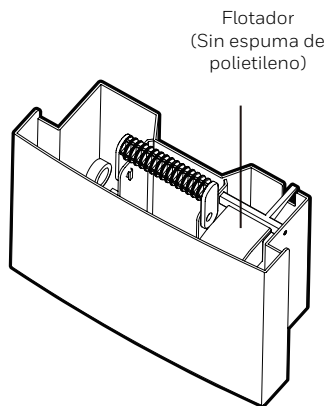
Este Deshumidificador está empacado con una cinta transparente o de color para asegurar algunas partes durante el transporte.

Remover la cinta de empaque transparente o de color de la unidad.

Quite esta cinta de empaque antes de usarlo. Si usted no la quita, el Deshumidificador no se encenderá y aparecerá una luz roja tinterante.

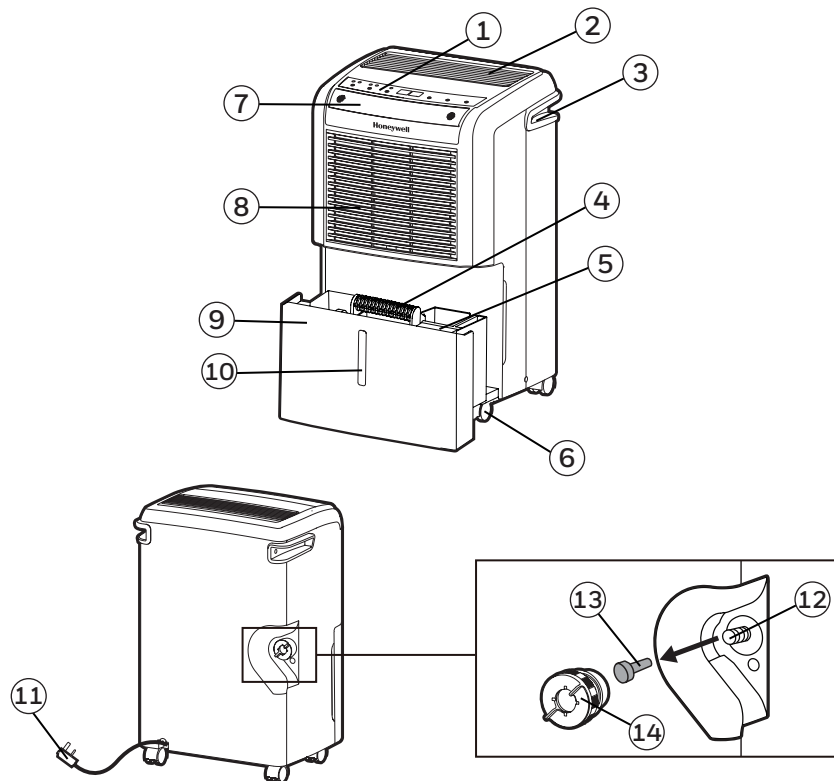
Hay un flotador (Sin espuma de polietileno) de poliuretano dentro del tanque de agua. La función de éste es sentir el nivel del agua dentro del tanque.

NO quite este flotador.



DESCRIPCIÓN DE PARTES

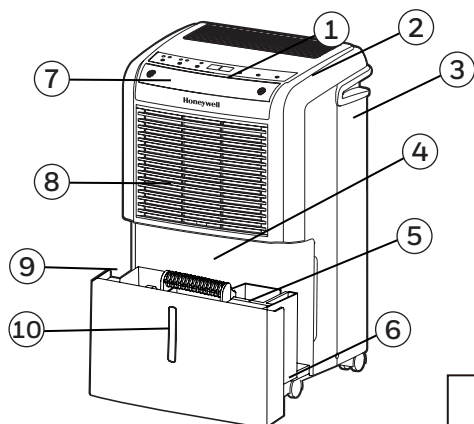
Modelo: DH45W



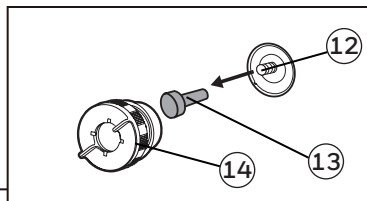
- | | |
|--|-------------------------------------|
| 1) Panel de Control | 8) Deflectores |
| 2) Ventila de Aire | 9) Depósito de Agua |
| 3) Manija | 10) Indicador de Nivel de Agua |
| 4) Manija del Tanque de Agua | 11) Cable de Alimentación y Enchufe |
| 5) Flotador
(Sin espuma de polietileno) | 12) Salida de Drenado Directo |
| 6) Llantas | 13) Tapón de Drenado de Hule |
| 7) Filtro de Polvo Lavable | 14) Tapa de Drenado |

DESCRIPCIÓN DE PARTES (CONTINUACIÓN)

Modelo: DH45WGN / DH45WKN / DH45PWKN / DH45PWGN / DH50W / DH50PW / DH70W / DH70PW / DH70WKN / DH70WGN / DH70PWKN / DH70PWGN

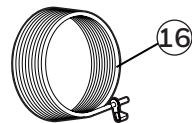
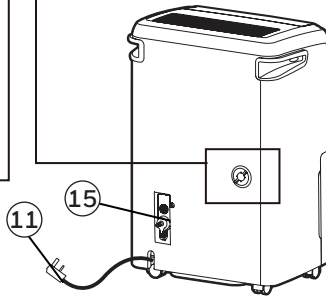
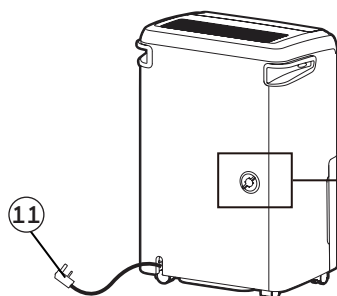


DH45WGN / DH45WKN / DH50W / DH70W / DH70WKN / DH70WGN



MODELOS CON BOMBA DE DRENADO INTERCONSTRUIDA:

DH45PWKN / DH45PWGN / DH50PW / DH70PW / DH70PWKN / DH70PWGN

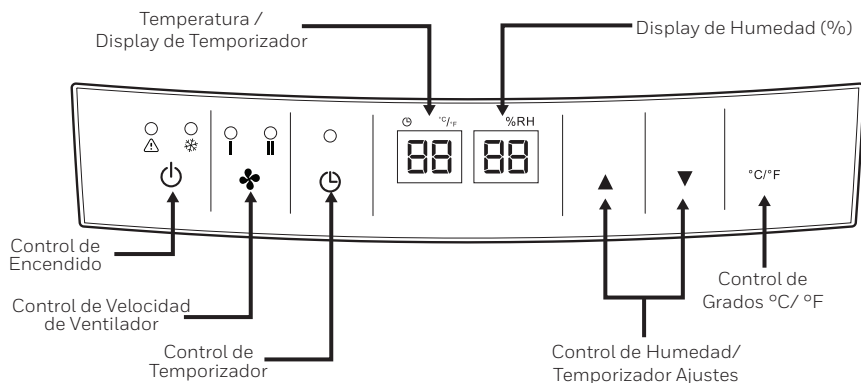


- | | |
|--|-------------------------------------|
| 1) Panel de Control | 8) Deflectores |
| 2) Ventilador de Aire | 9) Depósito de Agua |
| 3) Manija | 10) Indicador de Nivel de Agua |
| 4) Manija del Tanque de Agua | 11) Cable de Alimentación y Enchufe |
| 5) Flotador
(Sin espuma de polietileno) | 12) Salida de Drenado Directo |
| 6) Llantas | 13) Tapón de Drenado de Hule |
| 7) Filtro de Polvo Lavable | 14) Tapa de Drenado |

ESTO ES SOLO PARA LOS MODELOS CON BOMBA DE DRENADO INTERCONSTRUIDA

- | | |
|-------------------------------|---------------------|
| 15) Bomba de Drenaje Continua | 16) Tubo de Drenaje |
|-------------------------------|---------------------|


PANEL DE CONTROL



Control de Encendido

Presiona  para encender o apagar el deshumidificador.

Luz Indicadora de Depósito Lleno

Esta luz se ilumina cuando el depósito de agua está lleno de agua o no se encuentra colocado apropiadamente en la unidad. Para apagar esta luz , vacíe el depósito de agua y revise que el depósito esté colocado en posición adecuadamente.

Luz de Descongelamiento

Esta luz indica que la temperatura en la habitación es muy baja. Incremente la temperatura de la habitación o espere a que la temperatura aumente para que se apague la luz  y encienda el deshumidificador de nuevo.

Control de Velocidad de Ventilador

Presione para seleccionar la velocidad deseada del ventilador.

Hay dos velocidades para seleccionar: **Alto II/ Bajo I**

Una velocidad mayor en el ventilador elimina más rápido la humedad.


PANEL DE CONTROL (CONTINUACIÓN)

Control de Temporizador


El deshumidificador puede ser programado para que se ENCIENDA o APAGUE después de un periodo de tiempo (entre 1 y 24 horas). La selección de horas del temporizador es mostrada en la pantalla de Temporizador/Temperatura.


NOTA: Antes de programar el temporizador, asegúrese que la unidad está conectada al suministro eléctrico.

Temporizador para Apagado Automático:

Mientras la unidad esté funcionando, primero presione  y entonces presione repetidamente o mantenga presionado el botón ▲ ó ▼ para seleccionar el número de horas que desee que la unidad funcione antes de apagarse. La unidad se apagará automáticamente después de que el periodo de tiempo seleccionado haya transcurrido. Debe repetir el proceso de programación del temporizador en caso para usarlo nuevamente, en caso de ser necesario.

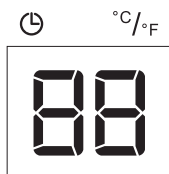
Temporizador para Encendido Automático:


Cuando la unidad esté en modo stand by, presione  y ▲ ó ▼ para seleccionar el número de horas que desee que transcurran antes que la unidad empiece a funcionar automáticamente. La última configuración de velocidad del ventilador y nivel de humedad seleccionados en la unidad se mantendrán. La unidad trabajará de forma continua hasta que el depósito de agua esté lleno (a menos que la unidad esté configurada para drenado continuo) o hasta que se apague manualmente.

NOTA: Para cancelar cualquier programación del temporizador, simplemente presione  y entonces presione repetidamente o mantenga presionado ▲ ó ▼ hasta que la pantalla del temporizador muestre '0'.

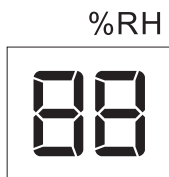
PANEL DE CONTROL (CONTINUACIÓN)

Display de Temperatura / Temporizador



Cuando la unidad es ENCENDIDA, el display de Temperatura /Temporizador muestra la temperatura actual de la habitación. Presionando el botón de Temporizador , el display cambia temporalmente para mostrar la programación del temporizador (en horas) por 10 segundos, antes de volver a mostrar la temperatura.

Control de Programación de Humedad



Cuando la unidad es ENCENDIDA, el Display De Humedad muestra el porcentaje de humedad actual. Presione ▲ ó ▼ para seleccionar su nivel preferido de humedad. La humedad es ajustable en incrementos de 5% presionando ▲ ó ▼ . El rango de humedad ajustable (RH) es entre el 30% RH y el 90%. Diez segundos después de que se seleccione la configuración de humedad preferida, el display volverá a mostrar la humedad actual.

Configuración Recomendada: Es recomendable dejar la unidad corriendo al 30% de humedad con una velocidad alta en el ventilador durante los primeros 2 o 3 días hasta que los olores a humedad se hayan eliminado. Después de algunos días cuando la humedad relativa se haya reducido a un nivel más confortable, presione ▲ ó ▼ para seleccionar un porcentaje de RH más alto que mantenga un nivel cómodo de humedad en lo posterior. Un nivel saludable de humedad recomendado está entre el 40% y el 50%.

NOTA: El sensor de humedad registra la humedad actual en el área circundante. Es normal una variación de 5°F a 9°F (3°C a 5°) en el registro de humedad del sensor.

Opciones de Display de °C/ °F


Presione °C/ °F para cambiar la forma en que se muestra la temperatura, de grados Celsius °C a grados Fahrenheit °F.

DRENADO DEL AGUA



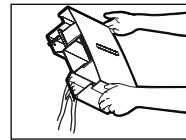
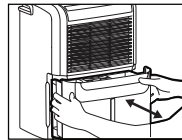
ADVERTENCIA: Siempre drene y deseche el agua recolectada por la deshumidificación. El agua no está limpia y no puede ser utilizada para beberse.

1. Drenado del Agua Recolectada en el Depósito

El agua condensada puede ser recolectada directamente en el depósito de agua. Cuando el depósito está lleno, el deshumidificador se apagará automáticamente y la luz  se iluminará en el panel de control seguida de un sonido de beep.

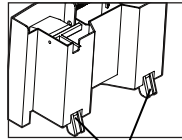
IMPORTANTE: No mueva el deshumidificador cuando el depósito de agua esté lleno ya que estará pesado y podría provocar un derrame de agua.

1.1 Localice el depósito de agua en la parte frontal del deshumidificador. Suavemente tire del depósito para retirarlo y colóquelo en el suelo. Dos soportes localizados en la parte inferior del depósito se extenderán de forma automática para ayudar a balancear el depósito en el suelo.

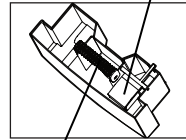


Flotador
(Sin espuma de polietileno)

1.2 Tome la manija dentro del depósito, levántelo y llévelo hasta un lavamanos para vaciarlo.



Soportes*



Manija del Tanque de Agua

1.3 Vuelva a colocar el tanque de agua vacío al frente del deshumidificador. Por favor asegúrese de que el tanque está colocado correctamente. La función de seguridad hace imposible que la unidad vuelva a encenderse si existe cualquier mala alineación del tanque y la unidad.

IMPORTANTE: El posicionamiento o alineación inadecuada del depósito de agua provocará que la unidad interrumpa su operación, la luz de advertencia en el panel de control se iluminará seguida de un sonido beep, hasta que el depósito de agua sea colocado adecuadamente.

NOTA: Hay un flotador (sin espuma de polietileno) dentro del depósito de agua, que detecta el nivel del agua para automáticamente detener la deshumidificación cuando el depósito de agua esté lleno. Cerciérese que el flotador esté colocado correctamente dentro del depósito de agua asegurándose de que esté alineado al nivel de la parte superior del depósito de agua.

*Aplica solo para modelos seleccionados DH45WGN / DH45WKN / DH45PWKN / DH45PWGN / DH50W / DH50PW / DH70W / DH70PW / DH70WKN / DH70WGN / DH70PWKN / DH70PWGN

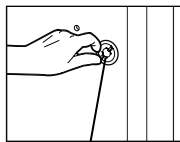
DRENADO DEL AGUA (CONTINUACIÓN)

2. Drenado de Agua Continuo – Usando una Manguera de Jardín Extándar (la Manguera de Jardín no está Incluida)

Para un continuo desagüe con una manguera de jardín estándar, usted necesitará una manguera* y un punto de drenado adecuado (Por ejemplo, un lavamanos o drenaje a nivel del suelo) cerca del deshumidificador.

2.1 Locate the drain outlet on the back of the unit.

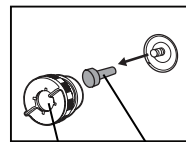
2.1



Salida de Drenado Directo

2.2 Unscrew and remove both drain cap and rubber stopper.

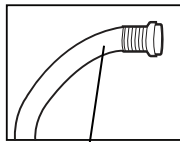
2.2



Tapa de Drenado Tapón de Drenado de Hule

2.3 Locate the female connector at one end of the garden hose. Insert the garden hose onto the drain outlet of the dehumidifier. Screw and tighten the garden hose connector onto the threaded part of the drain outlet, making sure the hose connector is secured to ensure there will be no leaks. If there are leaks, the hose and the drain outlet may not be connected properly. Disconnect, replace and tighten the garden hose connector again.

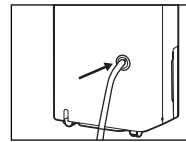
2.3



Manguera

2.4 Position the other end of the garden hose in the sink or drain. Make sure the hose is not bent or kinked which might stop the water flow. Make sure the hose is secured over the drain and will not fall out of place causing unwanted water spillage.

2.4



IMPORTANTE: Asegúrese de que el agua puede fluir por la manguera manteniéndola angulada hacia abajo y evitando torceduras o dobleces en la misma.

IMPORTANTE: Si deja de utilizar la función de drenado continuo, la tapa de drenado y el tapón de hule deben ser colocados nuevamente antes de usar la unidad, para evitar derrames.

DRENADO DEL AGUA (CONTINUACIÓN)

ESTO ES SOLO PARA LOS MODELOS CON BOMBA DE DRENADO INTERCONSTRUIDA

DH45PWKN / DH45PWGN / DH50PW / DH70PW / DH70PWKN / DH70PWGN

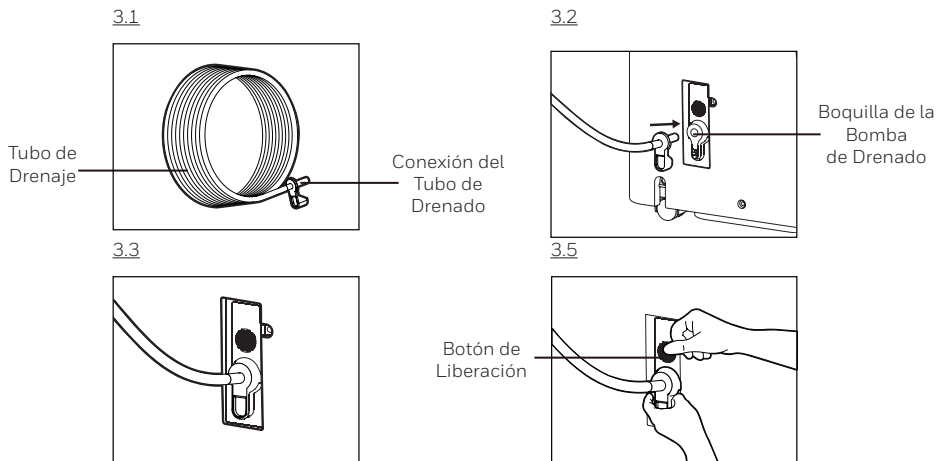
3. Drenaje de Agua Continuo – Usando la Opción de la Bomba de Desagüe (Tubo de Desagüe incluido)

Si usted quiere usar la función de drenaje continuo, pero el drenaje está lejos, o ubicado sobre el deshumidificador, la Bomba de Drenado Continuo está a su disposición. Un tubo de drenaje largo de 5 metros (16,4 ft) puede conectarse a la bomba de drenado continuo, localizada en la parte trasera del deshumidificador. Cuando el nivel del tanque de agua alcance cierto nivel, la bomba de drenado bombeará automáticamente el agua fuera del tanque al drenaje. Esto le permite drenar el agua condensada de forma vertical u horizontal, aun cuando el drenaje esté ubicado sobre el deshumidificador.

- 3.1 Desenvuelva el tubo de drenaje del deshumidificador y coloque la conexión del tubo de drenado en un extremo del tubo de drenado.
- 3.2 Inserte la conexión del tubo de drenado dentro de la boquilla de la bomba de drenado ubicada en la parte trasera del deshumidificador.
- 3.3 Empuje la conexión del tubo de drenado dentro de la boquilla de la bomba de drenado hasta que escuche un "click".
- 3.4 Coloque el otro extremo del tubo de drenado dentro del lavamanos o coladera. El agua puede bombearse hasta por 5 metros (16,4 ft) vertical u horizontalmente.

NOTA: NO USE un tubo de drenado diferente del que está incluido en la unidad.

- 3.5 Para desconectar el tubo de drenado presione el botón de liberación sobre la boquilla de la bomba de drenado al mismo tiempo que saca la conexión del tubo de drenado de la boquilla de la bomba de drenado.



*El Tubo de Drenado Continuo está incluido solamente en los modelos de Deshumidificador con la función de Bomba de Drenado Continuo.

LIMPIEZA Y MANTENIMIENTO

ADVERTENCIA: Siempre apague el deshumidificador y desconéctelo del suministro eléctrico antes de intentar limpiar o dar mantenimiento a este producto.

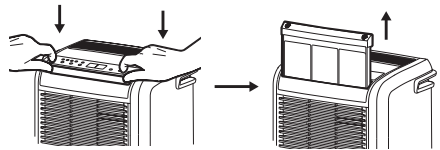
Mantenimiento del Producto:

- Apague el producto antes de desconectarlo del suministro eléctrico.
- Use solo un paño suave para limpiar el producto.

Mantenimiento del Filtro de Polvo:

El filtro de polvo colocado en la parte superior de la unidad ayuda a remover partículas de polvo del aire. Un filtro sucio lleno de partículas de polvo puede reducir la eficiencia del deshumidificador. Para una deshumidificación óptima, es recomendable limpiar el filtro cada dos semanas:

1. Apague el deshumidificador. Presione con ambas manos el filtro para liberar el filtro de la parte superior de la unidad.
2. Limpie el filtro colocándolo bajo un chorro de agua, o aspire el polvo del mismo con una aspiradora.
3. Después de limpiar el filtro de polvo, séquelo en un lugar fresco y a la sombra, después reinstálelo cuidadosamente en la unidad.



Mantenimiento y Almacenamiento por Fin de Temporada:

Si el Producto no Será Usado por un Periodo Largo de Tiempo:

- Apague la unidad y desconéctela del suministro eléctrico.
- Vacíe el depósito de agua y déjelo secar. Si su deshumidificador está conectado al drenado continuo con una manguera, debe desconectar la manguera, secarlo y colocar la tapa de drenado y el tapón de hule en la salida de drenado.
- Retire el filtro de aire y límpielo con agua. Deje que el filtro de aire se seque y reinstálelo en la unidad.
- Asegúrese que todos los elementos del deshumidificador y sus accesorios estén secos antes de almacenarlo.
- Cubra el deshumidificador con un paño/ bolsa de plástico antes de almacenarlo, para proteger la superficie de polvo y rayones.
- Es recomendable enrollar el cable de alimentación y colocarlo por encima del nivel del suelo para asegurarse que esté protegido contra dobleces o pliegues.
- Guarde la unidad en posición horizontal, en un lugar seco y alejado de la luz directa del sol.

FUNCIÓN DE AUTO REINICIO



Esta unidad está equipada con una función de Auto Reinicio. Cuando hay un apagón, el deshumidificador reanudará automáticamente sus ajustes previos, en cuanto regrese la energía.

GUÍA DE SOLUCIÓN DE PROBLEMAS

La siguiente guía de solución de problemas comprende los problemas más comunes. Si los problemas persisten, llame al servicio de atención a clientes.

PROBLEMA	POSIBLE CAUSA	SOLUCIÓN
El deshumidificador no enciende	No hay electricidad.	Revise que haya energía eléctrica.
	El cable de alimentación no está conectado correctamente.	Retire y conecte nuevamente el cable de alimentación.
	El interruptor de seguridad del enchufe se ha activado.	Reinicie el interruptor de seguridad y espere 3 minutos para conectarlo. Si el problema persiste, contacte al servicio de atención a clientes.
La unidad está trabajando pero el nivel de humedad no disminuye	El parámetro de humedad seleccionado es muy alto.	Disminuya el parámetro de humedad.
	Una puerta o ventana está abierta, permitiendo que entre humedad nueva.	Asegúrese que todas las puertas y ventanas hacia el exterior estén debidamente cerradas.
	Hay otras fuentes de humedad en la habitación (por ejemplo, agua hirviendo en una estufa).	Encienda el deshumidificador cuando estas fuentes de humedad no estén presentes.
	La temperatura en la habitación es muy baja.	El deshumidificador está diseñado para trabajar con temperaturas entre 41°F (5°C) y 89°F (32°C). La eliminación de humedad se ve ampliamente afectada si la temperatura de la habitación excede este rango de temperaturas.
	El filtro de polvo está sucio u obstruido.	Lave el filtro de polvo.
	La toma o ventila de aire está bloqueada.	Retire cualquier tipo de bloqueo.

GUÍA DE SOLUCIÓN DE PROBLEMAS (CONTINUACIÓN)

PROBLEMA	POSIBLE CAUSA	SOLUCIÓN
El deshumidificador trabaja constantemente/ no deja de trabajar	El área a deshumidificar es demasiado grande.	La capacidad de su deshumidificador podría no ser adecuada para el tamaño de la habitación en el que se está usando. Es recomendable añadir un deshumidificador adicional para áreas más grandes.
	Una puerta o ventana está abierta, permitiendo que entre humedad nueva.	Asegúrese que todas las puertas y ventanas hacia el exterior estén debidamente cerradas.
La luz de Depósito de Agua Lleno  está encendida y la unidad emite un beep	El depósito de agua está lleno.	Vacíe el depósito de agua.
	El depósito de agua no está colocado adecuadamente.	Coloque el depósito de agua correctamente. La unidad no funcionará hasta que el depósito de agua esté colocado de forma correcta.
La unidad está soplando aire frío desde la parte alta de la ventila.	EL propósito de la ventila superior de aire es distribuir el aire en la habitación	La temperatura del aire de la ventila depende del ambiente de la habitación y otros factores. Puede fluctuar y esto es normal No se requiere acción alguna.
La luz de Descongelamiento  está encendida	La temperatura de la habitación es muy baja.	El deshumidificador podría no funcionar efectivamente en ambientes de temperaturas bajas. Incremente la temperatura de la habitación o espere a que la temperatura aumente para usar el deshumidificador.
Hay escarcha en las bobinas del deshumidificador.	El deshumidificador ha sido encendido recientemente en una habitación con la temperatura baja (usualmente debajo de 41°F (5°C)).	Esto es normal. La escarcha desaparecerá en aproximadamente una hora después de que se apague el deshumidificador.
Conectó el desagüe continuo pero la condensación de agua no esté drenando por el tubo	Algunos pisos pueden tener superficies desiguales, lo que puede afectar la función de desagüe continuo.	Eleve el frente del Deshumidificador de 1/2 a 1 pulgada (1,27 a 2,54 cm) del piso. La condensación del agua se drenará por la manguera posterior y no dentro de la cubeta.

PROBLEM	POSSIBLE CAUSE	SOLUTION
Hay agua en el suelo	La manguera de desagüe podría estar floja.	Revise las conexiones entre la manguera y la salida de drenado de la unidad. Consulte la sección de Drenado De Agua Continuo.
	Usted tenía la intención de usar el depósito para recolectar el agua pero la manguera para drenado continuo sigue conectada.	Desconecte la manguera y coloque el tapón de hule y la tapa del drenado si usará el depósito de agua para recolectar el agua. Consulte la sección de Drenado De Agua Continuo.
Hay Ruido	El ventilador está trabajando.	El viento causado por el ventilador puede crear sonidos durante la operación. Estos sonidos son normales.

CÓDIGO DE ERROR	CAUSA POSIBLE	DESCRIPCIÓN
"30"	Falla en el sensor de humedad (Debajo de 30%RH)	Si "30" aparece, significa que la humedad relativa de la habitación es menor al nivel mínimo 30%RH y que la unidad pausará su funcionamiento. Puede volver a ENCENDER (ON) la unidad cuando la humedad relativa alcance esté arriba del 30% durante 2 horas o más. Si "30" aparece otra vez, contacte al Centro de Servicio.
"90"	Falla en el sensor de humedad (Arriba de 90%RH)	Si "90" aparece, significa que la humedad relativa de la habitación excede al nivel máximo 90%RH y que la unidad pausará su funcionamiento. Puede volver a ENCENDER (ON) la unidad cuando la humedad relativa alcance esté por debajo del 90% durante 2 horas o más. Si "90" aparece otra vez, contacte al Centro de Servicio.
"Lo"	Falla en el sensor de temperatura (Debajo de 32°F / 0°C)	Si "Lo" aparece, significa que la temperatura de la habitación es demasiado fría, por debajo de los 32°F (0°C) y que la unidad pausará su funcionamiento. Puede volver a ENCENDER (ON) la unidad cuando la temperatura alcance los 41°F (5°C) o mayor durante 2 horas o más. Si "Lo" aparece otra vez, contacte al Centro de Servicio.
"Hi"	Falla en el sensor de temperatura (Arriba de 122°F / 50°C)	Si "Hi" aparece, significa que la temperatura de la habitación es demasiado alta, por arriba de los 122°F (50°C) y que la unidad pausará su funcionamiento. Puede volver a ENCENDER (ON) la unidad cuando la temperatura disminuya a 89°F (32°C) o menor durante 2 horas o más. Si "Hi" aparece otra vez, contacte al Centro de Servicio.



Los productos eléctricos deben ser desechados adecuadamente.

Por favor reciclar en donde existan instalaciones para hacerlo.

Consulte con sus autoridades locales o proveedor para mayor información sobre el reciclaje.

Customer Support:
Assistance Au Client:
Servicio de atención a clientes:
USA/ EE.UU: 1-800-474-2147
CANADA/ CANADÁ^ : canadainfo@jmatek.com

^ Canada Customer Support service available for models sold in Canada only.

^ Le Service Client Canadien est disponible uniquement pour les modèles vendus sur le territoire Canadien.

^ Servicio de Atención A Clientes en Canadá disponible solo para modelos vendidos en Canadá.

ES

Hecho en China
© 2021 JMATEK Limited. Todos los derechos reservados.
La marca Honeywell es usada bajo licencia de Honeywell International Inc. Honeywell International Inc. no representa ni garantiza este producto.
Este producto es fabricado por Airtek Int'l Corp. Ltd. (subsidiaria de JMATEK Limited).

FR

Fabriqué en Chine
© 2021 JMATEK Limited. Tous droits réservés.
La marque déposée Honeywell est utilisée en vertu d'une licence de Honeywell International inc.
Honeywell International inc. ne fait aucune déclaration et ne donne aucune garantie à l'égard de ce produit.
Ce produit est fabriqué par Airtek Int'l Corp. Itée (une filiale de JMATEK Limited).

EN

Made in China
© 2021 JMATEK Limited. All rights reserved.
The Honeywell Trademark is used under license from Honeywell International Inc.
Honeywell International Inc. makes no representations or warranties with respect to this product.
This product is manufactured by Airtek Int'l Corp. Ltd. (subsidiary of JMATEK Ltd.).

JMATEK North America LLC
Mahwah, New Jersey 07495 USA
Email: usinfo@jmatek.com
Web: www.jmatek.com

Honeywell