

# DEEBOT™ R98

EN

Instruction Manual

FR-CA

Mode d'emploi

ES-LATAM

Manual de Instrucciones



<b>EN</b>	Instruction Manual.....	2
<b>FR-CA</b>	Mode d'emploi.....	34
<b>ES-LATAM</b>	Manual de Instrucciones .....	69

-----

Live Smart. Enjoy Life.

Congratulations on the purchase of your ECOVACS ROBOTICS DEEBOT! We hope it brings you many years of satisfaction. We trust the purchase of your new robot will help keep your home clean and provide you with more quality time to do other things.

Before you go any further, please register your product on the ECOVACS ROBOTICS website at [www.ecovacsrobotics.com/registration/](http://www.ecovacsrobotics.com/registration/). We also suggest you record your model number, serial number, date of purchase and attach your receipt to this page for safekeeping.

MODEL # \_\_\_\_\_

SERIAL # \_\_\_\_\_

DATE OF PURCHASE \_\_\_\_/\_\_\_\_/\_\_\_\_

Should you have any problems programming the robot or getting your robot to function properly, please call us before contacting or returning it to the place of purchase. Call toll free number 1-844-ECOVACS (1-844-326-8227) or 1-330-994-1760 from outside the United States of America and Canada for assistance.

***Thank you for choosing DEEBOT!***

# Contents

---

<b>1. Important Safety Instructions</b> .....	2
<b>2. Package Contents and Technical Specifications</b> .....	6
2.1 Package Contents.....	6
2.2 Specifications.....	7
2.3 Product Diagram.....	7
<b>3. Operating and Programming</b> .....	10
3.1 Notes Before Cleaning.....	10
3.2 Quick Start.....	12
3.3 Cleaning Mode Selection.....	16
3.4 Programming the Robot.....	18
3.5 Additional Settings.....	19
3.6 Optional Advanced Wet/Dry Mopping System.....	20
3.7 Detachable, Handheld Vacuum Cleaner.....	22
3.8 Voice Reporting.....	24
<b>4. Maintenance</b> .....	25
4.1 Dust Bin and Filters.....	25
4.2 Advanced Wet/Dry Cleaning Cloth and Advanced Wet/Dry Reservoir....	26
4.3 Main Brush and Side Brushes.....	27
4.4 Handheld Vacuum Cleaner.....	28
4.5 Other Components.....	30
4.6 Regular Maintenance.....	31
<b>5. Troubleshooting</b> .....	32

## 1. Important Safety Instructions

---

# IMPORTANT SAFETY INSTRUCTIONS

**WARNING:** Read all safety warnings and instructions. Failure to follow the warnings and instructions may result in electric shock, fire or serious injury.

When using an electrical appliance, basic precautions should always be followed, including the following:

**READ ALL INSTRUCTIONS BEFORE USING THIS APPLIANCE.**

**WARNING** – To reduce the risk of fire, electric shock, or injury:

1. Do not allow to be used as a toy. Close attention is necessary when used by or near children.
2. Clear the area to be cleaned. Remove power cords and small objects from the floor that could entangle the Appliance. Tuck rug fringe under the rug base, and lift items such as curtains and tablecloths off the floor.
3. If there is a drop off in the cleaning area due to a step or stairs, you should operate the Appliance to ensure that it can detect the step without falling over the edge. It may become necessary to place a physical barrier at the edge to keep the unit from falling. Make sure the physical barrier is not a trip hazard.
4. Only use as described in this manual. Only use attachments recommended or sold by the manufacturer.
5. Please make sure your power supply voltage matches the power voltage marked on the Charging Dock and AC Adapter.
6. Do not handle plug or appliance with wet hands.
7. Use only the original rechargeable battery and Charging Dock and AC Adapter provided with the Appliance from the manufacturer. Non-rechargeable batteries are prohibited. For battery information, please refer to Specifications section.
8. Do not use without dust bin and/or filters in place.
9. Do not operate the vacuum in an area where there are lit candles or fragile objects on the floor to be cleaned.
10. Do not use and store in extremely hot or cold environments (below  $-5^{\circ}\text{C}$  /  $23^{\circ}\text{F}$  or above  $40^{\circ}\text{C}$  /  $104^{\circ}\text{F}$ ). Please charge the robot in temperature above  $0^{\circ}\text{C}$  /  $32^{\circ}\text{F}$  and below  $40^{\circ}\text{C}$  /  $104^{\circ}\text{F}$ .
11. Keep hair, loose clothing, fingers, and all parts of body away from any openings and moving parts.
12. Do not operate the Appliance in a room where an infant or child is sleeping.

# 1. Important Safety Instructions

---

13. Do not use Appliance on wet surfaces or surfaces with standing water. Do not use outdoors. For INDOOR use ONLY.
14. Do not allow the Appliance to pick up large objects like stones, large pieces of paper or any item that may clog the Appliance.
15. Do not use Appliance to pick up flammable or combustible materials such as gasoline, printer or copier toner, or use in areas where they may be present.
16. Do not use Appliance to pick up anything that is burning or smoking, such as cigarettes, matches, hot ashes, or anything that could cause a fire.
17. Do not put objects into the suction intake. Do not use if the suction intake is blocked. Keep the intake clear of dust, lint, hair, or anything that may reduce air flow.
18. Take care not to damage the power cord. Do not pull on or carry the Appliance or Charging Dock or AC Adapter by the power cord, use the power cord as a handle, close a door on the power cord, or pull power cord around sharp edges or corners. Do not run Appliance over the power cord. Keep power cord away from hot surfaces. Do not unplug by pulling on cord. To unplug, grasp the plug, not the cord.
19. If the power cord is damaged, it must be replaced by the manufacturer or its service agent in order to avoid a hazard.
20. Do not use the Charging Dock or AC Adapter if it is damaged.
21. Do not use with a damaged power cord or plug. Do not use the Appliance or Charging Dock or AC Adapter if it is not working properly, has been dropped, damaged, left outdoors, or come in contact with water. It must be repaired by the manufacturer or its service agent in order to avoid a hazard.
22. Turn OFF the power switch before cleaning or maintaining the Appliance. Turn off all controls before unplugging.
23. The plug must be removed from the receptacle before cleaning or maintaining the Charging Dock or AC Adapter.
24. Remove the Appliance from the Charging Dock or AC Adapter, and turn OFF the power switch to the Appliance before removing the battery for disposal of the Appliance.
25. The battery must be removed and discarded according to local laws and regulations before disposal of the Appliance.
26. Please dispose of used batteries according to local laws and regulations.
27. Do not incinerate the Appliance even if it is severely damaged. The batteries can explode in a fire.
28. When not using the Charging Dock or AC Adapter for a long period of time, please unplug it.

# 1. Important Safety Instructions

---

29. The Appliance must be used in accordance with the directions in this Instruction Manual. ECOVACS ROBOTICS cannot be held liable or responsible for any damages or injuries caused by improper use.
- 30. WARNING:** For the purposes of recharging the battery, only use the detachable supply unit CH1459C and EA10952E provided with this Appliance.
31. Prevent unintentional starting. Ensure the switch is in the off position before connecting to battery pack, picking up or carrying the appliance. Carrying the appliance with your finger on the switch or energizing appliance that have the switch on invites accidents.
32. When battery pack is not in use, keep it away from other metal objects, like paper clips, coins, keys, nails, screws or other small metal objects, that can make a connection from one terminal to another. Shorting the battery terminals together may cause burns or a fire.
33. Under abusive conditions, liquid may be ejected from the battery; avoid contact. If contact accidentally occurs, flush with water. If liquid contacts eyes, additionally seek medical help. Liquid ejected from the battery may cause irritation or burns.
34. Do not use a battery pack or appliance that is damaged or modified. Damaged or modified batteries may exhibit unpredictable behavior resulting in fire, explosion or risk of injury.
35. Do not expose a battery pack or appliance to fire or excessive temperature. Exposure to fire or temperature above 130°C may cause explosion. The temperature of 130°C can be replaced by the temperature of 265°F.
36. Follow all charging instructions and do not charge the battery pack or appliance outside of the temperature range specified in the instructions. Charging improperly or at temperatures outside of the specified range may damage the battery and increase the risk of fire.
37. Have servicing performed by a qualified repair person using only identical replacement parts. This will ensure that the safety of the product is maintained.
38. Do not modify or attempt to repair the appliance or the battery pack (as applicable) except as indicated in the instructions for use and care.
39. Disconnect the battery pack from the appliance before making any adjustments. Such preventive safety measures reduce the risk of starting the appliance accidentally.
40. Place the cords from other appliances out of the area to be cleaned.

# 1. Important Safety Instructions

---

41. Do not operate the vacuum in a room that has lit candles on furniture that the vacuum may accidentally hit or bump into.
42. Do not allow children to sit on the vacuum.
43. Use extra care when cleaning on stairs for handheld vacuum cleaner.
44. The robot contains batteries that are only replaceable by skilled persons. To replace the robot's battery, please contact Customer Service.
45. If the robot will not be used for a long time, fully charge the robot and power OFF for storage, and unplug the Charging Dock.

## SAVE THESE INSTRUCTIONS For Household Use Only.

### **This Device Complies with DHHS Radiation Rules, 21CFR Chapter 1, Subchapter J.**

This device complies with Part 15 of the FCC Rules / Industry Canada licence-exempt RSS standard(s). Operation is subject to the following two conditions: (1) this device may not cause harmful interference, and (2) this device must accept any interference received, including interference that may cause undesired operation.

Changes or modifications not expressly approved by the party responsible for compliance could void the user's authority to operate the equipment.

This equipment has been tested and found to comply with the limits for a Class B digital device, pursuant to part 15 of the FCC Rules. These limits are designed to provide reasonable protection against harmful interference in a residential installation. This equipment generates uses and can radiate radio frequency energy and, if not installed and used in accordance with the instructions, may cause harmful interference to radio communications. However, there is no guarantee that interference will not occur in a particular installation. If this equipment does cause harmful interference to radio or television reception, which can be determined by turning the equipment off and on, the user is encouraged to try to correct the interference by one or more of the following measures:

- Reorient or relocate the receiving antenna.
- Increase the separation between the equipment and receiver.
- Connect the equipment into an outlet on a circuit different from that to which the receiver is connected.
- Consult the dealer or an experienced radio/TV technician for help.

To satisfy FCC / IC RF exposure requirements, a separation distance of 20 cm or more should be maintained between the antenna of this device and persons during device operation.

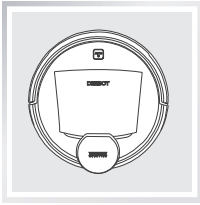
To ensure compliance, operations at closer than this distance is not recommended.

To disable Wi-Fi module on DEEBOT, power the robot ON. Place the robot on the Charging Dock making sure the Charging Contacts on DEEBOT and the Charging Dock Pins make a connection. Press and hold the AUTO Mode Button on the robot for 20 seconds until DEEBOT emits 3 beeps.

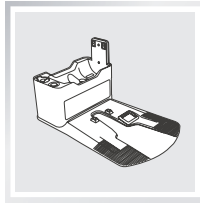
To enable Wi-Fi module on DEEBOT, power the robot OFF and then power ON. The Wi-Fi module is turned on when DEEBOT is restarted.

## 2. Package Contents and Technical Specifications

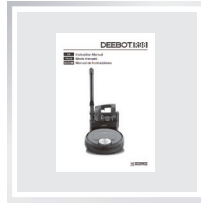
### 2.1 Package Contents



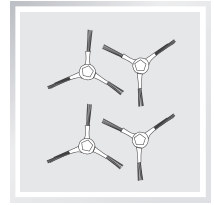
Robot



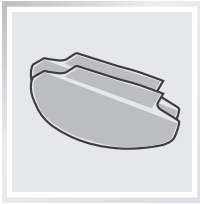
Charging Dock (Use with Power Adapter)



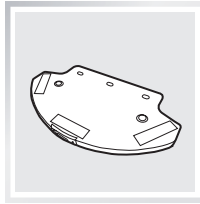
Instruction Manual



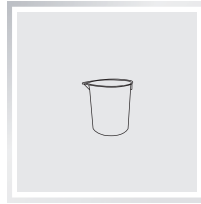
(4) Side Brushes



(2) Advanced Wet/Dry Cleaning Cloths



Advanced Wet/Dry Reservoir



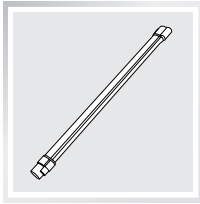
Measuring Cup



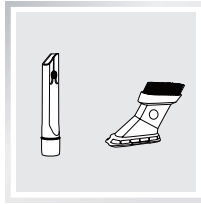
QSG



Handheld Vacuum Cleaner



Extension Wand



Crevice Tool+Fabric Brush

## 2. Package Contents and Technical Specifications

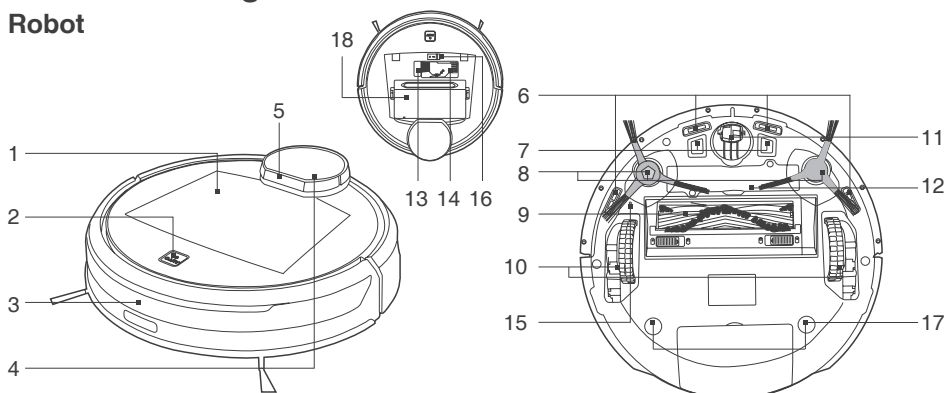
### 2.2 Specifications

<b>Model</b>	<b>DR98</b>		
Working Voltage	14.8V DC	Rated Power	50W
Battery Model	1355-10056-000-00-H001	Battery Specification	Lithium 14.48V DC, 2850mAh
<b>Charging Dock Model</b>	<b>CH1459C</b>		
Rated Input Voltage	24V DC	Rated Output Voltage	24V DC
Rated Output Current	3.5A	Rated Power	90W
<b>Handheld Vacuum Cleaner</b>	<b>ZJ1458</b>		
Rated Input Voltage	18.5V DC	Rated Power	130W
<b>Handheld Vacuum Cleaner Battery Model</b>	5ISR18650-2000	Handheld Vacuum Cleaner Battery Specification	Lithium, 18.5V, 2000mAh
<b>Laser</b>	<b>max. power: 2.5mW</b> <b>Frequency: 1.8KHz</b> <b>Rotate Speed: 300±5 circle/min</b>		
<b>Power Adapter: EA10952E</b>			
Input: 100-240V AC 50-60Hz 2.5A	Output: 24V DC 3.75A		

\* Technical and design specifications may be changed in the course of continuous product improvement.

### 2.3 Product Diagram

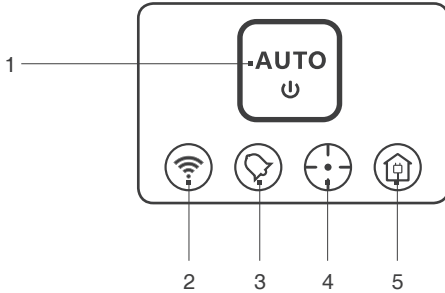
#### Robot



- |                                      |                      |                                      |
|--------------------------------------|----------------------|--------------------------------------|
| 1. Top Cover                         | 7. Charging Contacts | 14. Multi-Function Cleaning Tool     |
| 2. AUTO Mode Button                  | 8. Side Brushes      | 15. RESET Button                     |
| 3. Anti-Collision Sensors and Bumper | 9. Main Brush        | 16. Power Switch                     |
| 4. LDS (Laser Distance Sensor)       | 10. Driving Wheels   | 17. Advanced Wet/Dry Reservoir Slots |
| 5. LDS Bumper                        | 11. Universal Wheel  | 18. Dust Bin                         |
| 6. Anti-Drop Sensors                 | 13. Upgrade Port     |                                      |

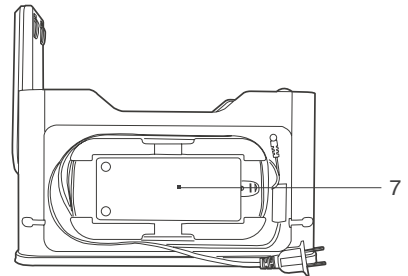
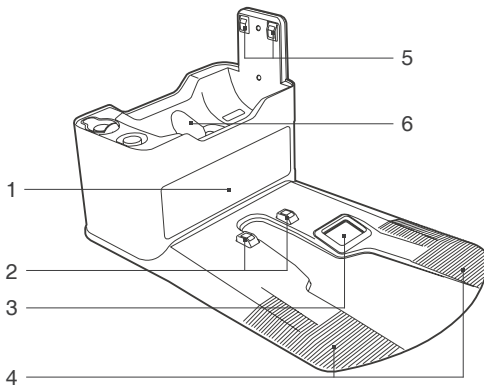
## 2. Package Contents and Technical Specifications

### Control Panel



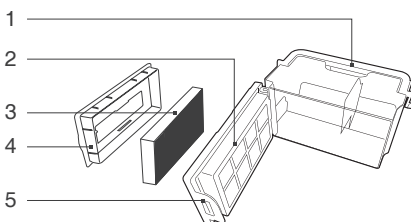
1. AUTO Mode Button
2. Wi-Fi Indicator
3. Scheduled Cleaning Indicator
4. Spot Mode Indicator
5. Return to Charger Mode Indicator

### Charging Dock



- |                                   |                           |                       |
|-----------------------------------|---------------------------|-----------------------|
| 1. Infrared Signal Generators     | 4. Anti-Slip Strips       | 6. Automatic Emptying |
| 2. Charging Dock Pins for Robot   | 5. Charging Dock Pins for | Dust Transfer Channel |
| 3. Automatic Emptying Dust Intake | Handheld Vacuum Cleaner   | 7. Power Adapter      |

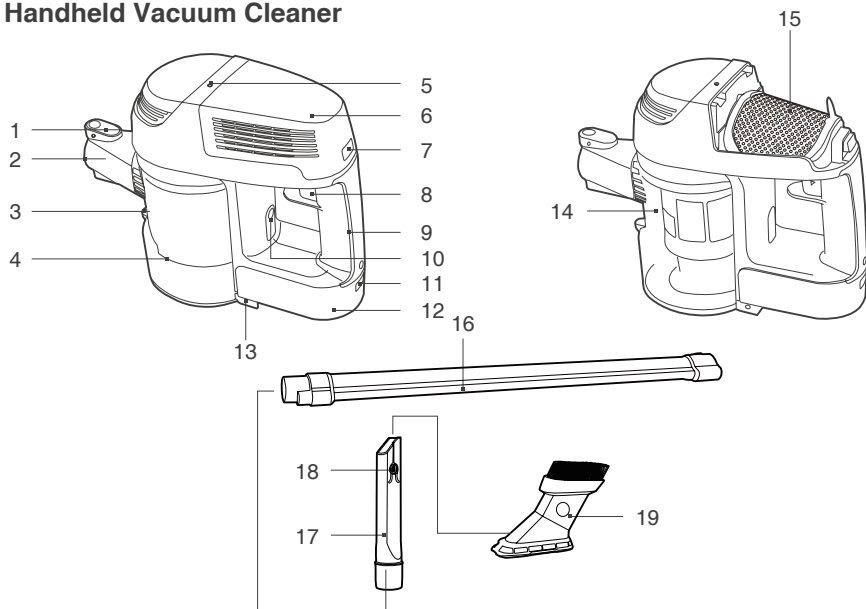
### Dust Bin



1. Dust Bin Handle
2. Filter Net
3. High Efficiency Filter
4. Dust Bin Cover
5. Dust Bin Lock

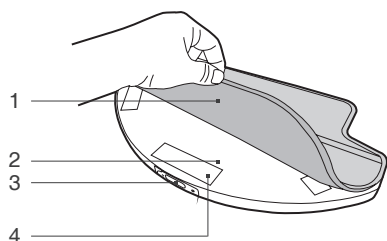
## 2. Package Contents and Technical Specifications

### Handheld Vacuum Cleaner



- |   |  |
|---|--|
| 1. Extension Wand/Crevise Tool Release Button | 11. Handheld Vacuum Cleaner Battery Release Button |
| 2. Automatic Emptying Dust Intake             | 12. Handheld Vacuum Cleaner Battery                |
| 3. Dust Container Cover Release Button        | 13. Handheld Vacuum Cleaner Charging Contacts      |
| 4. Clear Dust Container                       | 14. Dust Container Filter Net                      |
| 5. Power Indicator                            | 15. Air Outlet Filter                              |
| 6. Air Outlet Cover                           | 16. Extension Wand                                 |
| 7. Air Outlet Cover Release Button            | 17. Crevice Tool                                   |
| 8. Handheld Vacuum Cleaner Power Button       | 18. Fabric Brush Release Button                    |
| 9. Handle                                     | 19. Fabric Brush                                   |
| 10. Dust Container Release Button             |  |

### Advanced Wet/Dry Cleaning Cloth and Advanced Wet/Dry Reservoir

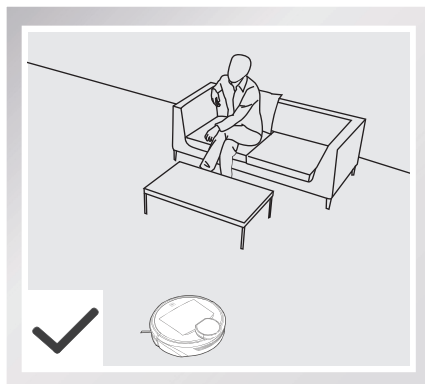


- |                                    |
|------------------------------------|
| 1. Advanced Wet/Dry Cleaning Cloth |
| 2. Advanced Wet/Dry Reservoir      |
| 3. Water Inlet                     |
| 4. Velcro                          |

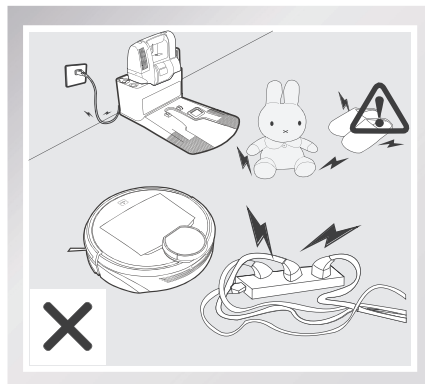
## 3. Operating and Programming

### 3.1 Notes Before Cleaning

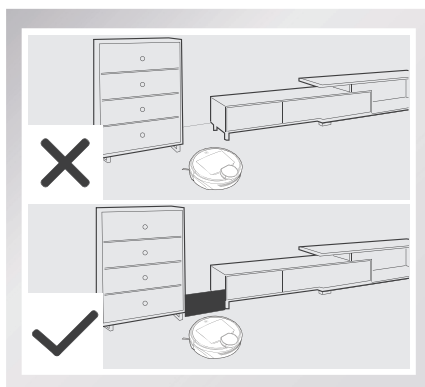
DEEBOT uses SMART NAVI technology (a proprietary laser scanning and mapping system) to scan and generate a map of the home environment. Before operating DEEBOT, take a few moments to survey the area to be cleaned and remove any obstacles.



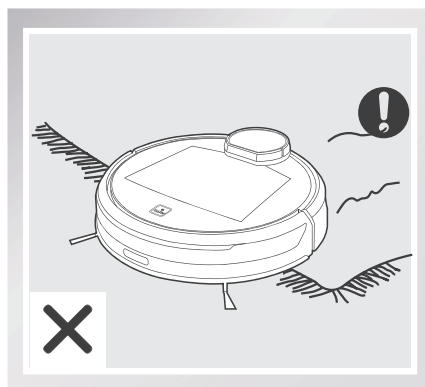
Please supervise DEEBOT during its first cleaning and assist should there be a problem.



Remove power cords and small objects from the floor that could entangle the product.

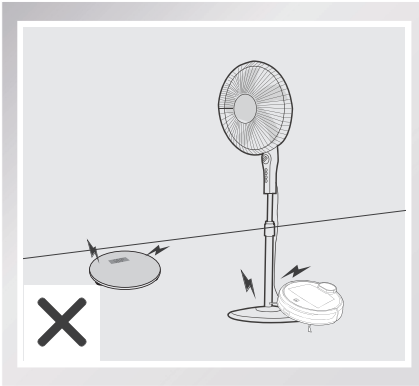


If there is a narrow entrance to a space between furniture, please place a physical barrier to stop the unit from entering that area.

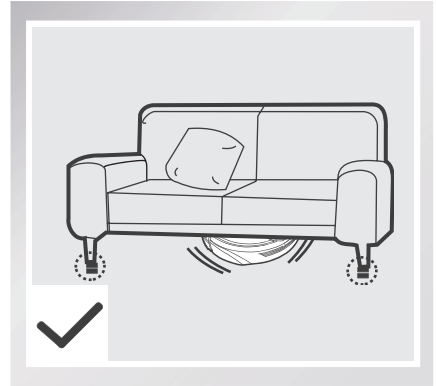


The product is not suitable for use on long pile carpet. Before using the product near an area rug with tasseled edges, please fold area rug edges under themselves.

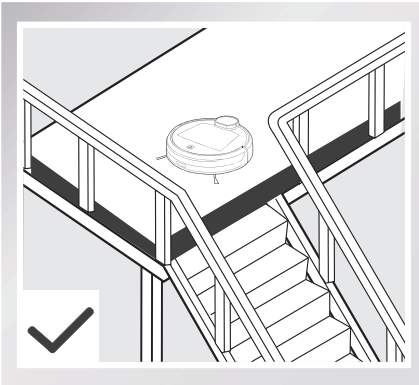
### 3. Operating and Programming



Please be aware that DEEBOT may climb on objects of less than 1.8cm (0.7") height. Please remove these objects if possible.

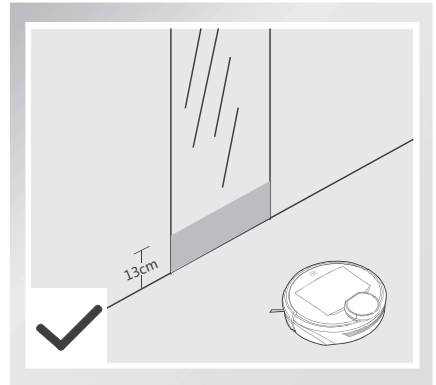


Please be aware that DEEBOT needs at least an 11cm (4.3") clearance to clean under furniture without complications.

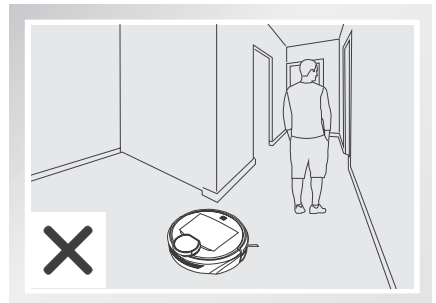


If there is a step or stairs in the cleaning area, please operate DEEBOT to ensure its Anti-Drop Sensors can detect the drop off. It may be necessary to place a physical barrier at the edge of the drop off to keep the unit from falling over the edge.

When DEEBOT is cleaning, please do not stand in narrow spaces, such as hallways, or DEEBOT may fail to identify the area to be cleaned.



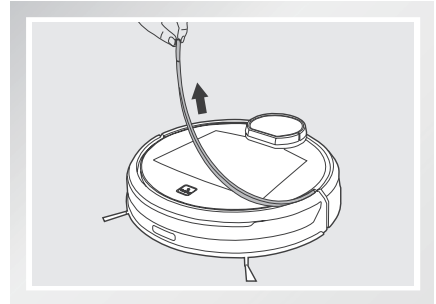
Please cover reflective surfaces 13cm (5.1") from the ground.



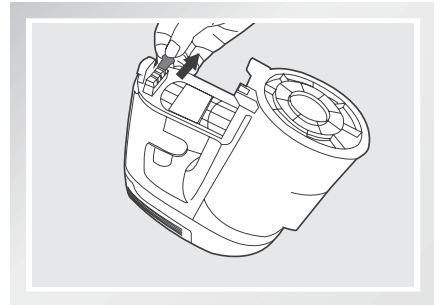
## 3. Operating and Programming

### 3.2 Quick Start

- Remove the protection strip from the robot's Bumper before use.

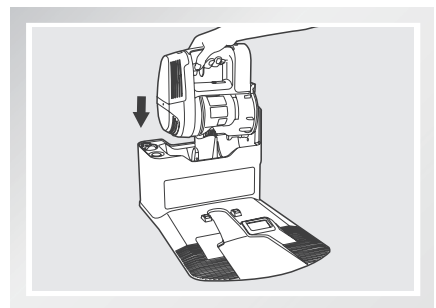


- Before first use, please remove the insulator placed on the Handheld Vacuum Cleaner Battery.



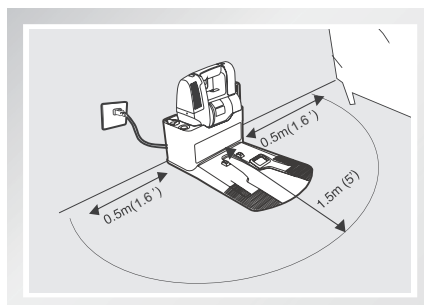
### 1 Charging Dock Placement

- Insert Handheld Vacuum Cleaner into the Charging Dock and ensure it is securely locked in place.



## 3. Operating and Programming

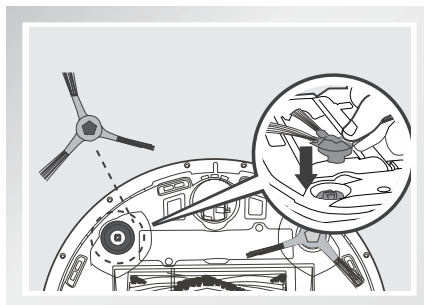
- Place the Charging Dock on a level floor surface against the wall with the base perpendicular to the ground. Keep the immediate area 1.5m (5') in front of the charger and 0.5m (1.6') on both sides of the charger clear of objects and reflective surfaces.
- Plug the Charging Dock in.



- \* The Handheld Vacuum Cleaner immediately starts to charge when the Charging Dock is plugged in.
- \* Do not change the location of the Charging Dock once DEEBOT has scanned the environment. If it is necessary to relocate Charging Dock, power OFF DEEBOT and then power back ON so DEEBOT can re-scan the environment.

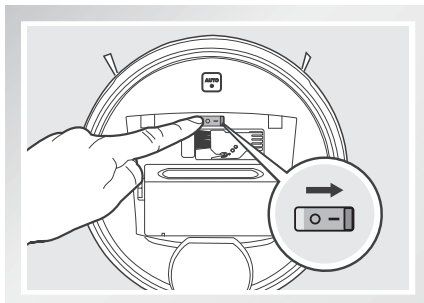
### 2 Install Side Brushes

- Attach Side Brushes to the bottom of DEEBOT by pressing a brush into each slot with the matching color until it clicks.



### 3 Power ON

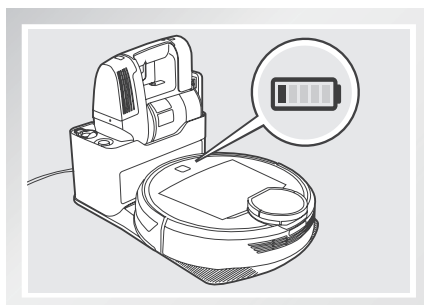
- Open the Top Cover. Move the Power Switch to the "I" position. The Control Panel illuminates, DEEBOT plays a musical tune and the AUTO Mode Button flashes. DEEBOT is powered ON when the AUTO Mode Button stays illuminated.



## 3. Operating and Programming

### 4 Charge DEEBOT

- Place DEEBOT on the Charging Dock making sure the Charging Contacts on DEEBOT and the Charging Dock Pins make a connection.

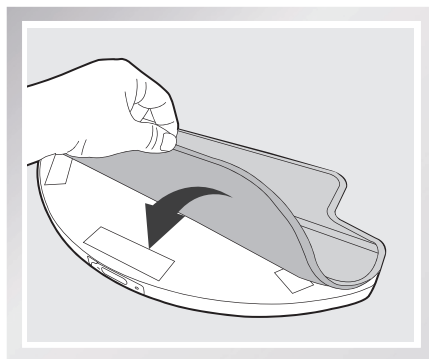


- \* Please make sure the Power Switch is turned ON before charging. (“O” indicates OFF and “I” indicates ON).
- \* Charge DEEBOT for at least 4 hours before the first use. The AUTO Mode Button flashes when charging, and goes out when DEEBOT is fully charged. Press the AUTO Mode Button on the robot or press any button on the App screen to wake up the robot.
- \* Remove the Advanced Wet/Dry Reservoir before charging DEEBOT.

### 5 Attach a Cleaning Cloth, if Desired

- To use the robot’s optional Advanced Wet/Dry Mopping System, attach the Advanced Wet/Dry Reservoir and an Advanced Wet/Dry Cleaning Cloth before use.

- \* When using the mopping feature, fold area rug edges under themselves so DEEBOT avoids the rug.
- \* Please see section 3.6 Optional Advanced Wet/Dry Mopping System for complete instructions.

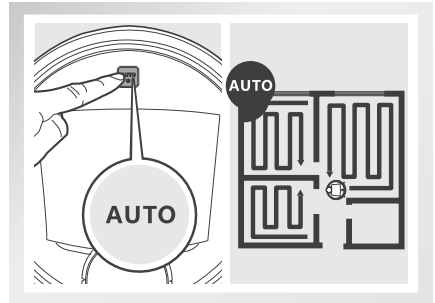


## 3. Operating and Programming

### 6 Start

- Press the AUTO Mode Button on DEEBOT. DEEBOT moves around to scan the environment and build the map, and starts to work in AUTO Cleaning Mode at the same time.

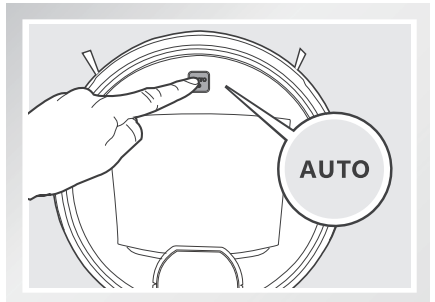
- \* DEEBOT must be powered ON to clean.
- \* To choose another Cleaning Mode, please refer to section 3.3 Cleaning Mode Selection for details.
- \* Do not manually move the robot when it is cleaning or charging.



### 7 Pause

- Pause DEEBOT by pressing the AUTO Mode Button on the robot.

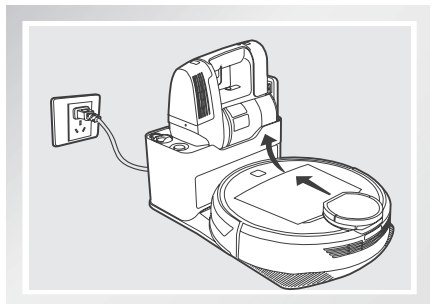
- \* The AUTO Mode Button on the robot's Control Panel stops glowing if the robot pauses for more than 10 minutes. Press the AUTO Mode Button on the robot or press any button on the App screen to wake up the robot.



### 8 Automatic Emptying

- When DEEBOT finishes cleaning, or its battery gets low, it returns to the Charging Dock to recharge itself. Once DEEBOT docks successfully, it automatically empties its own Dust Bin into the Handheld Vacuum Cleaner.

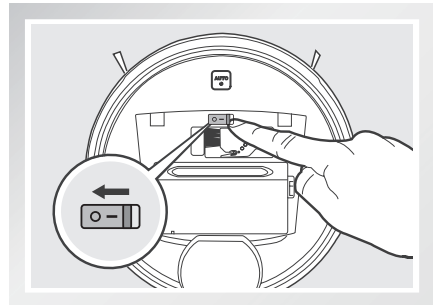
- \* Automatic Emptying will last about 20 seconds. Do not remove the Handheld Vacuum Cleaner from the Charging Dock during this process to avoid dust leakage or damage.



## 3. Operating and Programming

### 9 Power OFF

- Open the robot's Top Cover. Move the Power Switch to the "O" position to power OFF.




- \* When DEEBOT is not working, it is suggested to keep it powered ON and charging.
- \* DEEBOT loses its map once it is powered OFF. It is suggested to keep DEEBOT powered ON if it remains in the same home environment.
- \* In case DEEBOT is powered OFF, to restore the map in the same home environment, power ON DEEBOT and follow the instructions on ECOVACS App.

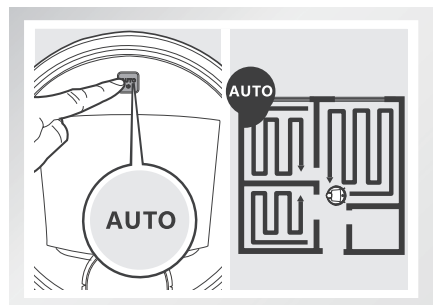
### 3.3 Cleaning Mode Selection

DEEBOT has several Cleaning Modes to choose from to effectively clean different floors. Cleaning Modes are selected using the ECOVACS App or using the AUTO Mode Button on the robot's Control Panel.

#### 1 AUTO Cleaning Mode

This is the most commonly used mode. In AUTO Cleaning Mode, DEEBOT cleans in a back and forth straight-line pattern.


- To start AUTO Cleaning Mode, press the AUTO Mode Button on the robot or  on the App.



## 3. Operating and Programming

### 2 Spot Cleaning Mode

This mode is applicable for an area of highly concentrated dirt or dust. In Spot Cleaning Mode, DEEBOT focuses on a specific area to clean and returns to the Charging Dock once the Spot Cleaning is completed.

- To start Spot Mode Cleaning, press  on the App's map screen. DEEBOT cleans the selected spot and a 1m/3.2' area around the spot.

### 3 Area Cleaning Mode

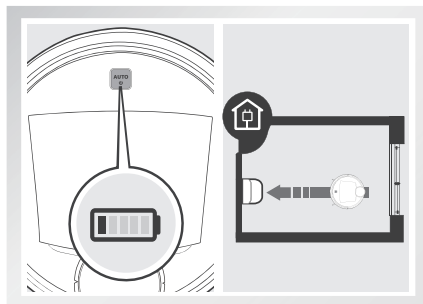
After DEEBOT has scanned and mapped the environment, specific areas on the map can be selected to be cleaned using Area Cleaning Mode. Area Cleaning Mode can only be selected using the App.

- To set or discard cleaning areas, press  on the App's map screen.

\* DEEBOT can only recognize a room with doorway ranging from 40cm (1.3') to 160cm (5.2') and perimeter larger than 8m (26.2').

### 4 Return to Charger Mode

- When battery power gets low or when DEEBOT completes cleaning, DEEBOT automatically switches to Return to Charger Mode and returns to the Charging Dock to recharge itself.
- DEEBOT can be also be sent back to the Charging Dock at any time by selecting Return to Charger Mode on the App screen.



\* After pressing the Return to Charger Mode Button on the App's main screen, DEEBOT will continue cleaning until it gets close to the Charging Dock. Once it is near the Charging Dock, DEEBOT reduces power and gently docks itself to recharge.

## 3. Operating and Programming

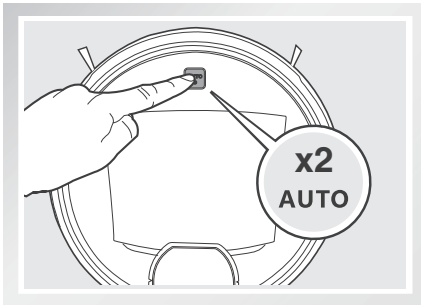
### 3.4 Programming the Robot

DEEBOT has an Intelligent Scheduling function and a Time Scheduling function to schedule cleaning times. DEEBOT can be programmed to automatically clean once per day at the same time with Intelligent Scheduling using the robot's Control Panel. DEEBOT can also be programmed weekly to clean once per day at specific times with Time Scheduling using the App. All scheduled cleanings are performed in AUTO Cleaning Mode or Area Cleaning Mode whichever is selected when scheduling the cleanings.

#### Schedule the Cleaning Time

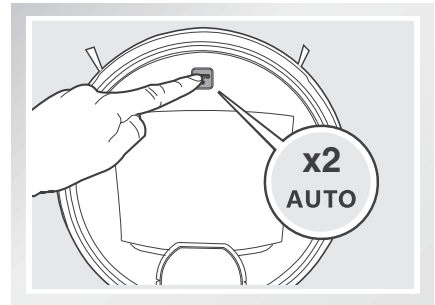
##### 1 Schedule the Cleaning Time Using Intelligent Scheduling

- DEEBOT can be scheduled to clean once per day at the same time, even if nobody is at home. Double click the AUTO Mode Button on the robot to set the current time as the scheduled cleaning time. Intelligent Scheduling is set successfully when the robot generates a voice report. DEEBOT automatically cleans at the scheduled cleaning time every day.



##### 2 Cancel the Cleaning Time Using Intelligent Scheduling

- Press the AUTO Mode Button on the robot twice. Intelligent Scheduling is cancelled when the robot generates a voice report.



##### 3 Schedule the Cleaning Time Using Time Scheduling

DEEBOT can be programmed weekly to clean once per day at specific times using the ECOVACS App.

Open the ECOVACS App. Press “...” in top right corner on the App's main screen. Set new scheduled cleanings and cancel existing scheduled cleanings in “Time Scheduling.”


## 3. Operating and Programming

### 3.5 Additional Settings

#### Virtual Boundary

**A Virtual Boundary blocks DEEBOT from cleaning a specified area.**

To set a Virtual Boundary, press  on the App's map screen.

- \* DEEBOT can be manually directed to blocked areas using  in the App.
- \* DEEBOT still returns to the Charging Dock if it is placed in the blocked area.

#### Continued Cleaning Function with Do Not Disturb Option

When Continued Cleaning function is turned on, once DEEBOT is fully recharged, it automatically returns to and continues to clean the uncleaned area not completed during the last cleaning task. User can set a Do Not Disturb time to forbid DEEBOT from coming out to continue cleaning during the set time.

For more settings, press “...” in top right corner on the App's main screen. Check cleaning record, set Continued Cleaning function, schedule cleaning time, reset the map, set voice reporting language and update firmware are located in this area.

## 3. Operating and Programming

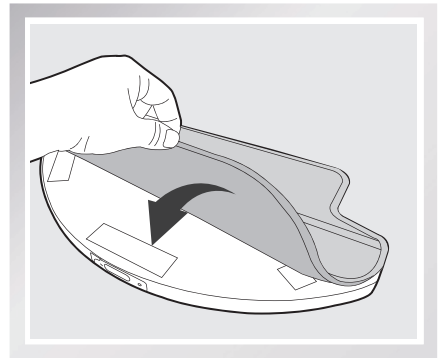
### 3.6 Optional Advanced Wet/Dry Mopping System

DEEBOT has an optional mopping system that uses an **Advanced Wet/Dry Cleaning Cloth** attached to the **Advanced Wet/Dry Reservoir**. The **Advanced Wet/Dry Cleaning Cloth** automatically damp mops and then dries the floor to a spotless clean.

- \* Do not use the mopping system on carpet.
- \* When using the mopping system, fold area rug edges under themselves so DEEBOT will avoid the rug.
- \* When using the mopping system, do not stop the robot and allow it to stand still. This prevents the Advanced Wet/Dry Reservoir from leaving water on the floor.
- \* Remove the Advanced Wet/Dry Reservoir before charging DEEBOT.

#### 1 Attach Advanced Wet/Dry Cleaning Cloth

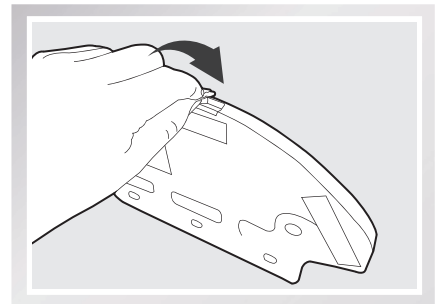
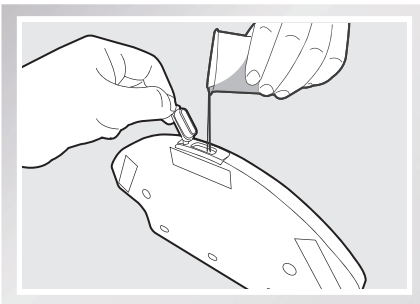
- Attach an Advanced Wet/Dry Cleaning Cloth to the Advanced Wet/Dry Reservoir.



#### 2 Add Water to the Advanced Wet/Dry Reservoir

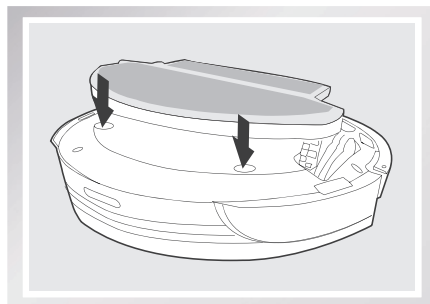
- \* Before adding water to the Advanced Wet/Dry Reservoir, remove the Advanced Wet/Dry Reservoir from the bottom of the robot.

Fill the provided Measuring Cup with water. Open the lid of the Water Inlet on the Advanced Wet/Dry Reservoir and slowly pour water from the Measuring Cup into the Reservoir. Close the Water Inlet lid.



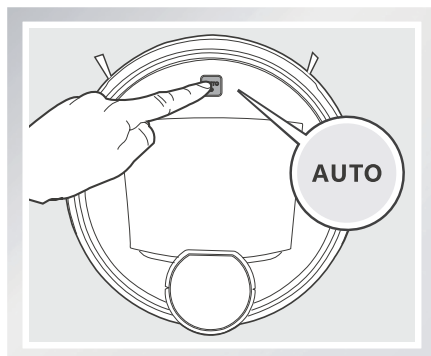
### 3. Operating and Programming

Attach the Advanced Wet/Dry Reservoir to the bottom of the robot. Insert the tabs on the Advanced Wet/Dry Reservoir into the Advanced Wet/Dry Reservoir Slots on the bottom of the robot until you hear a click.



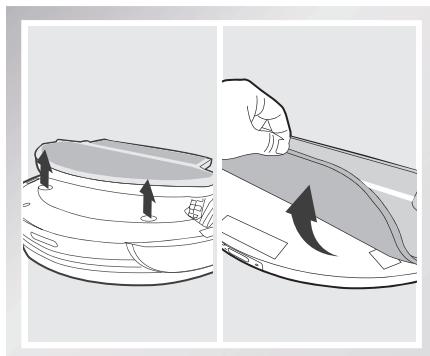
#### Start

Select the desired Cleaning Mode. DEEBOT sweeps, lifts, vacuums, mops and dries in the selected mode.



#### Remove

After DEEBOT finishes cleaning, remove the Advanced Wet/Dry Reservoir from DEEBOT, empty any remaining water, and remove the Advanced Wet/Dry Cleaning Cloth.



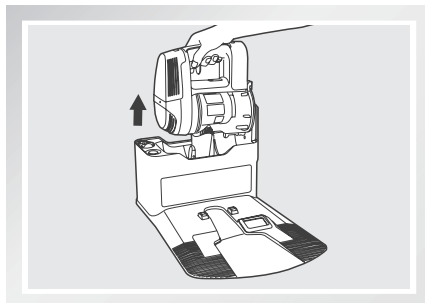
## 3. Operating and Programming

### 3.7 Detachable, Handheld Vacuum Cleaner

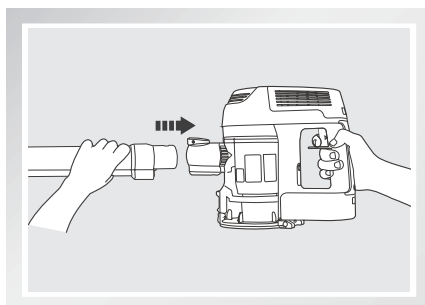
DEEBOT has a detachable Handheld Vacuum Cleaner with attachments to clean more than just the floor.

#### 1 Assemble the Handheld Vacuum Cleaner

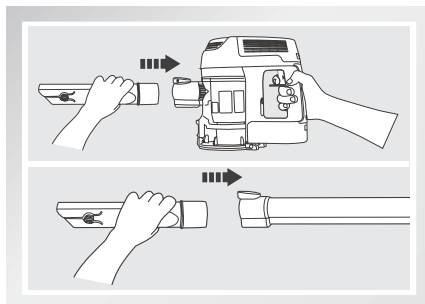
- Remove the Handheld Vacuum Cleaner from the Charging Dock by pulling straight up.



- The Extension Wand can be attached to add variable length.

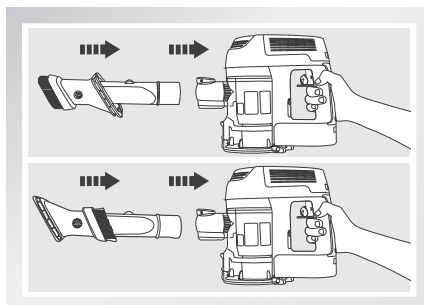


- To use the Crevice Tool, attach it to the Handheld Vacuum Cleaner or to the Extension Wand.
- To remove the Extension Wand or the Crevice Tool from the Handheld Vacuum Cleaner, push the Extension Wand/Crevice Tool Release Button on the Handheld Vacuum Cleaner and pull out the accessory.



### 3. Operating and Programming

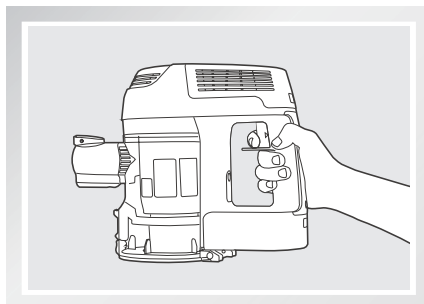
- To use the Fabric Brush, attach either end to the Crevice Tool first.
- To remove the Fabric Brush, push the Fabric Brush Release Button and pull out the accessory.



Accessory	Usage
Crevice Tool	Cleans small crevices, corners, baseboards etc.
Fabric Brush	Cleans soft surfaces such as sofas, cushions, curtains etc.

#### 2 Turn ON and Turn OFF

- Press and hold on the Handheld Vacuum Cleaner Power Button to start or release the Power Button to stop the Handheld Vacuum Cleaner.



## 3. Operating and Programming

### 3.8 Voice Reporting

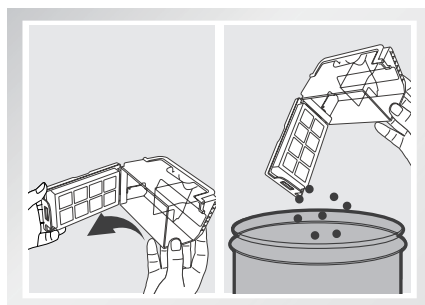
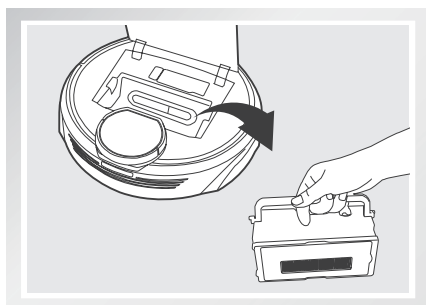
No.	Voice Report	Situation or Solution
1	My Cleaning time is scheduled.	Scheduled cleaning time is set.
2	My Cleaning time is cancelled.	Scheduled cleaning time is cancelled.
3	My Driving Wheel is suspended.	Place the robot on an even surface so it can regain traction.
4	My Driving Wheel is blocked.	Driving Wheel is blocked by an incline or doorsill. Move the robot by hand.
5	I am stuck.	DEEBOT is trapped by obstacles on the floor. Move the robot by hand and/or remove the obstacles.
6	My dust bin is missing.	The Dust Bin is missing or is not installed properly. Install or reinstall the Dust Bin and ensure it is properly seated.
7	My Brush is tangled.	Check the Main Brush and/or Side Brushes for debris or tangled hair and clean as described in section 4.
8	My Battery is low.	DEEBOT cannot find the Charging Dock. Place DEEBOT on the Charging Dock by hand.
9	My navigation system failed.	LDS has a problem. Please contact Customer Service.
10	I am connected to the Wi-Fi network.	DEEBOT is connected to the Wi-Fi network.
11	Time is synchronized.	DEEBOT time is successfully synchronized with the time on your smartphone.
12	Wi-Fi connection failed.	DEEBOT failed to connect to the Wi-Fi network.
13	Cleaning is complete.	DEEBOT has completed the cleaning cycle.
14	I am scanning. Please Wait.	DEEBOT is scanning the environment. Please wait.
15	My Map is Loading. Please Wait.	DEEBOT is analyzing and generating the map. Please wait.
16	Mapping is complete.	DEEBOT has generated the map.

## 4. Maintenance

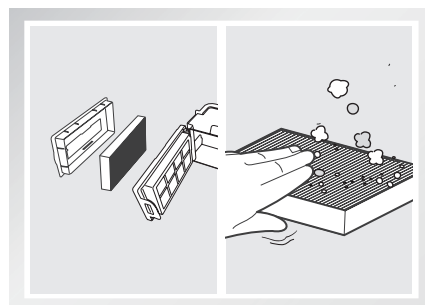
\* Before performing cleaning and maintenance on DEEBOT, power OFF the robot and unplug the Charging Dock.

### 4.1 Dust Bin and Filters

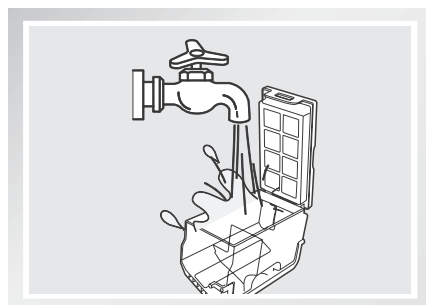
Open the robot's Top Cover and remove the Dust Bin. Open the Dust Bin Lock and empty the Dust Bin.



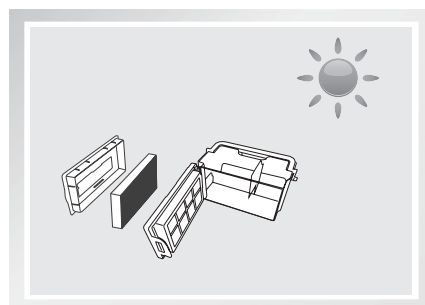
Remove the filters. Pat the High Efficiency Filter clean. Do not rinse the High Efficiency Filter under water.



Rinse the Dust Bin and Filter Net under running water.



Dry the Dust Bin and Filter Net completely before reinstalling.



## 4. Maintenance

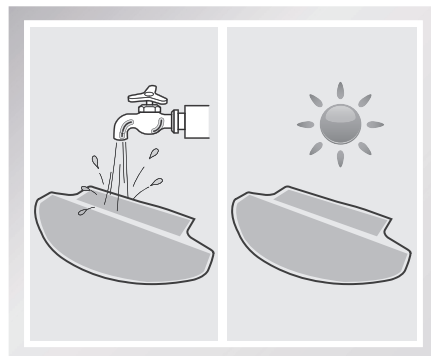
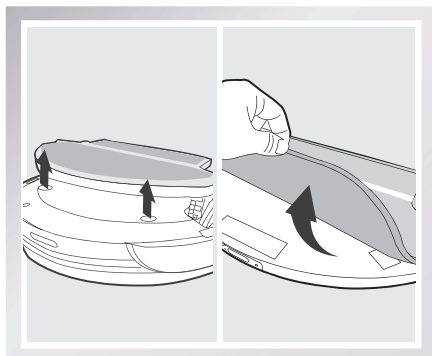
### 4.2 Advanced Wet/Dry Cleaning Cloth and Advanced Wet/Dry Reservoir

#### Advanced Wet/Dry Cleaning Cloth

If the mopping system was used, remove the Advanced Wet/Dry Reservoir from the bottom of DEEBOT and remove the Advanced Wet/Dry Cleaning Cloth.

Empty any remaining water from the Advanced Wet/Dry Reservoir.

Wash the Advanced Wet/Dry Cleaning Cloth by hand or in the washing machine, and lay flat to dry.

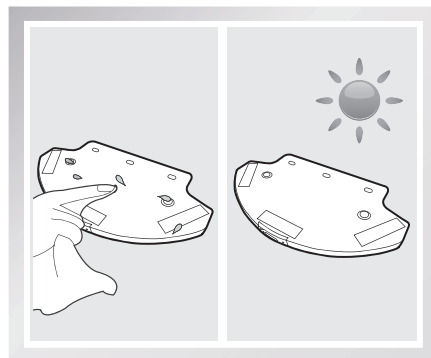
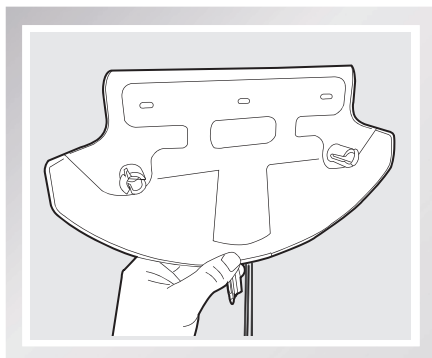


#### Advanced Wet/Dry Reservoir

If the mopping system was used, remove the Advanced Wet/Dry Reservoir from the bottom of DEEBOT.

Empty any remaining water from the Advanced Wet/Dry Reservoir and set out to dry.

Wipe the outside of the Advanced Wet/Dry Reservoir with a dry cloth.



## 4. Maintenance

### 4.3 Main Brush and Side Brushes

\* A Multi-Function Cleaning Tool is provided for easy maintenance. Handle with care, this cleaning tool has sharp edges.

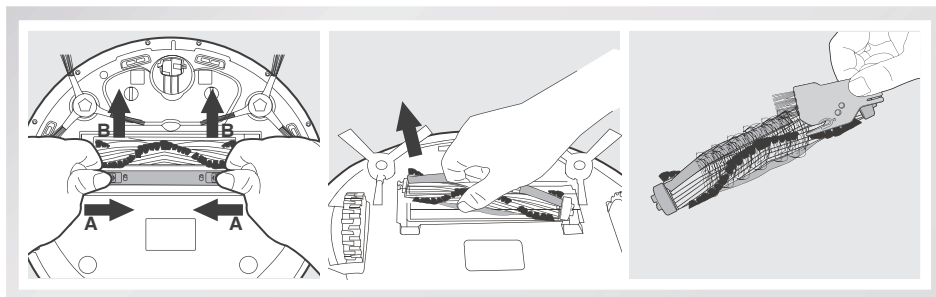
#### Main Brush

Turn the robot over. Push both buttons under the Main Brush towards the center of the robot.

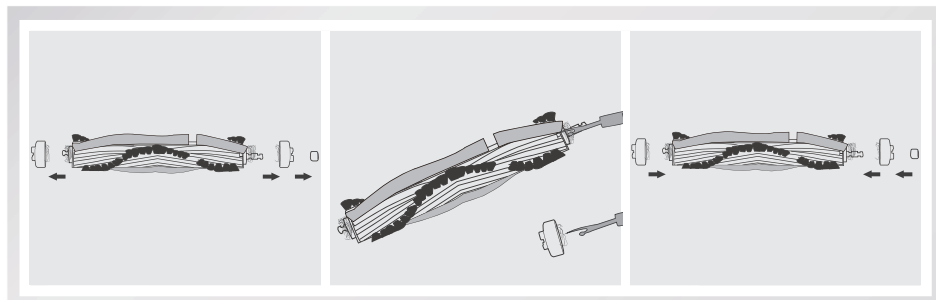
Remove the main brush cover.

Remove the Main Brush.

Use the Multi-Function Cleaning Tool to cut off and remove any hair tangled around the Main Brush.

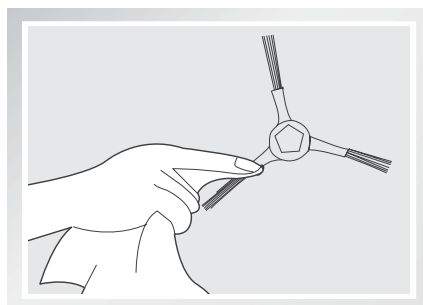


Pull out the plastic nut on the end of the Main Brush. Remove the plastic caps on both ends. Clean any tangled hair or debris from both ends of the Main Brush and inside the plastic caps.



#### Side Brushes

Remove the Side Brushes. Wipe the Side Brushes and their slots with a dry cloth.



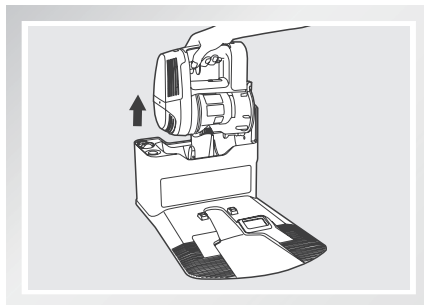
## 4. Maintenance

### 4.4 Handheld Vacuum Cleaner

\* Please empty the Handheld Vacuum Cleaner regularly and always before the dust reaches the MAX line for optimal vacuum performance.

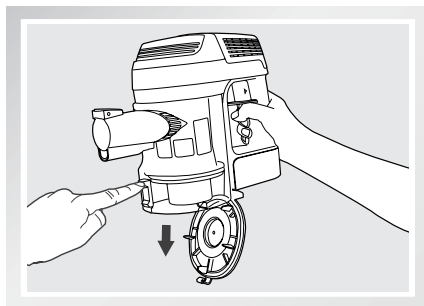
#### 1 Remove the Handheld Vacuum Cleaner

- Remove the Handheld Vacuum Cleaner from the Charging Dock by pulling straight up.



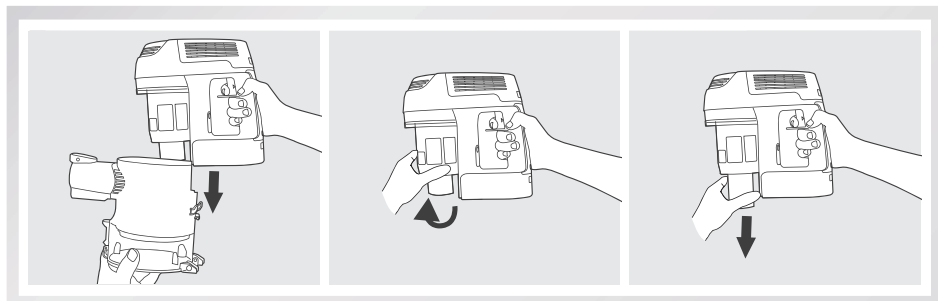
#### 2 Empty dust

- Push the Dust Container Cover Release Button to release the Dust Container Cover. Empty the dust in the container.



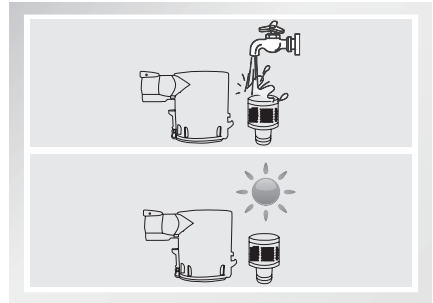
#### 3 Cleaning the Clear Dust Container and Filter

- Close the Dust Container Cover. Press the Dust Container Release Button to remove the Clear Dust Container. Twist the Dust Container Filter Net and pull it off the Handheld Vacuum Cleaner.



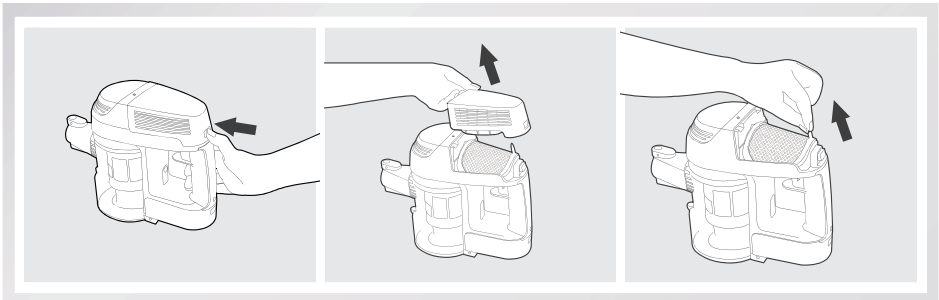
## 4. Maintenance

- Rinse the Clear Dust Container and Dust Container Filter Net under running water.
- Dry the Clear Dust Container and Dust Container Filter Net completely before reinstalling.

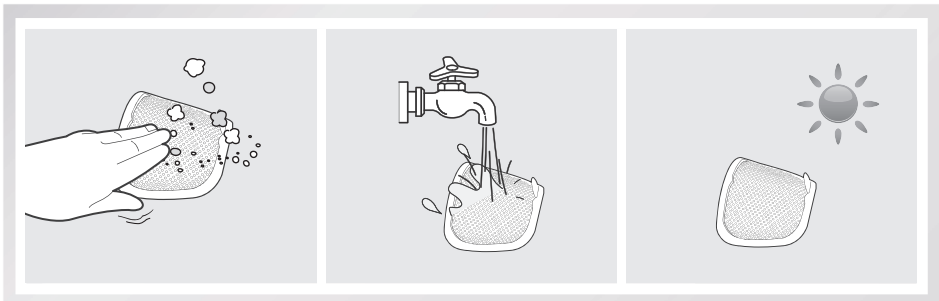


### 4 Cleaning the Air Outlet Filter

- Press the Air Outlet Cover Release Button to remove the Air Outlet Cover. Remove the Air Outlet Filter.



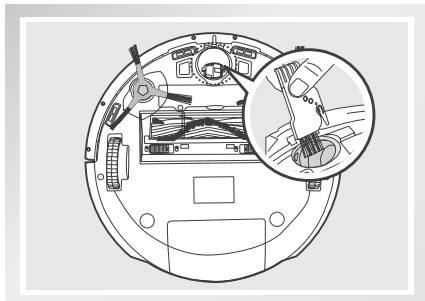
- Pat the Filter clean. If necessary, rinse the Filter under running water and dry completely before reinstalling.



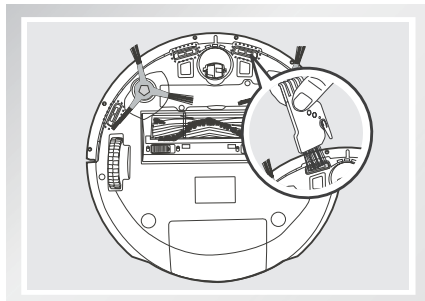
## 4. Maintenance

### 4.5 Other Components

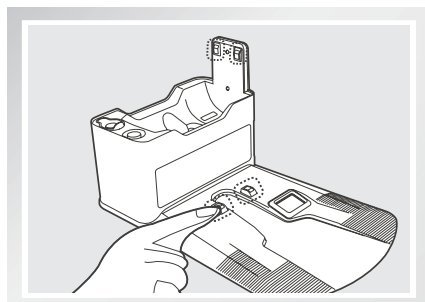
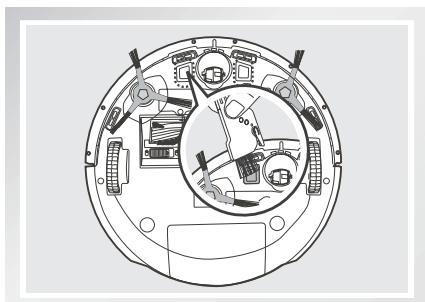
Use the Multi-Function Cleaning Tool to cut off and remove any hair tangled around the Universal Wheel.



Wipe the Anti-Drop Sensors with the brush or the felt side of the Multi-Function Cleaning Tool to maintain their effectiveness.

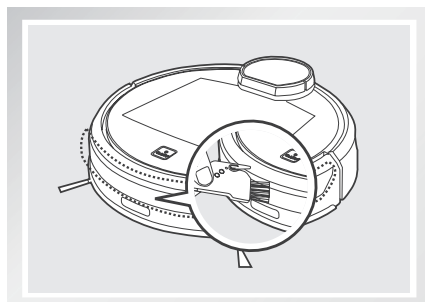


Wipe the Charging Contacts and Charging Dock Pins clean with the brush or the felt side of the Multi-Function Cleaning Tool to maintain their effectiveness.



\* Avoid touching the Charging Contacts and Charging Dock Pins with wet hands or wet cloth.

Wipe the Bumper clean with the brush of the Multi-Function Cleaning Tool to maintain the effectiveness of the Anti-Collision Sensors.



## 4. Maintenance

### 4.6 Regular Maintenance

To keep DEEBOT running at peak performance, perform the maintenance and replacement according to the following frequency. A multi-Function Cleaning Tool is provided for easy maintenance. Handle with care, this cleaning tool has sharp edges.

Robot Part	Maintenance Frequency	Replacement Frequency
Cleaning Cloth	After each use	Every 50 washings
Advanced Wet/Dry Reservoir Clear Dust Container	After each use	/
Sponge Filter/ High Efficiency Filter	Once per week (twice per week with pets in home)	Every 4-6 months
Side brush	Once every 2 weeks	Every 3-6 months
Main Brush	Once per week	Every 6-12 months
Dust Bin Universal Wheel Anti-Drop Sensors Charging Contacts Charging Dock Pins	Once per week	/

Note: ECOVACS manufactures various replacement parts and assemblies. Please contact Customer Service for more information on replacement parts.

## 5. Troubleshooting

Please use this chart to troubleshoot common problems using DEEBOT.

No.	Malfunction	Possible Causes	Solutions
1	DEEBOT will not charge.	DEEBOT is not powered ON.	Power ON DEEBOT.
		DEEBOT has not made a connection with the Charging Dock.	Be sure that the robot's Charging Contacts have made a connection with the Charging Dock Pins. You may move the robot manually to make the connection if necessary.
		Charging Dock is unplugged while DEEBOT is powered ON, which causes battery consumption.	Plug in the Charging Dock and ensure DEEBOT is powered ON. Keep DEEBOT on the Charging Dock to make sure it has a full battery to work at any time.
		The battery is completely discharged.	Re-activate the battery. Power ON. Place DEEBOT on the Charging Dock by hand, remove after charging for 3 minutes, repeat 3 times; then charge normally.
2	DEEBOT gets into trouble while working and stops.	DEEBOT is tangled with something on the floor (electrical cords, drooping curtains, carpet fringe etc.).	DEEBOT will try various ways to get itself out of trouble. If it is unsuccessful, manually remove the obstacles, place DEEBOT to the original place and restart.
3	DEEBOT returns to the Charging Dock before it finishes cleaning.	When battery power gets low, DEEBOT automatically switches to Return to Charger Mode and returns to the Charging Dock to recharge itself.	This is normal. No solution necessary.
		Working time varies according to floor surface, room complexity and the selected Cleaning Mode.	This is normal. No solution necessary.

## 5. Troubleshooting

No.	Malfunction	Possible Causes	Solutions
4	DEEBOT will not clean automatically at scheduled time.	The scheduled cleaning time is cancelled.	Schedule a cleaning time as described in section 3.4.
		Continued Cleaning function is turned ON. DEEBOT has just finished cleaning the scheduled cleaning area.	This is normal. No solution necessary.
		DEEBOT is powered OFF.	Power ON DEEBOT.
		The robot's battery is low or is not on the Charging Dock.	Keep DEEBOT powered ON and on the Charging Dock to make sure it has a full battery to work at any time.
		DEEBOT's components are tangled with debris.	Power OFF DEEBOT, clean the Dust Bin, and invert the robot. Clean Side Brushes and the Main Brush as described in section 4.
5	DEEBOT is not able to connect to home Wi-Fi network.	Incorrect home Wi-Fi username or password entered.	Enter the correct home Wi-Fi username and password.
		DEEBOT is not within range of your home Wi-Fi signal.	Make sure DEEBOT is within range of your home Wi-Fi signal.
		Network setup started before DEEBOT was ready.	Turn ON Power Switch. Press the RESET Button using a needle. DEEBOT is ready for network setup when DEEBOT plays a musical tune and its Wi-Fi Indicator light flashes slowly.
		Your smartphone's operating system needs to be updated.	Update your smartphone's operating system. The ECOVACS App runs on iOS 9.0 and above, Android 4.0 and above.

Live Smart. Enjoy Life.

Félicitation, vous avez acheté un ECOVACS ROBOTICS DEEBOT! Nous espérons qu'il vous apportera plusieurs années de satisfaction. Nous sommes certains que votre nouveau robot vous aidera à garder votre maison propre et vous offrir plus de temps pour vivre de façon intelligente et profiter de la vie.

Avant de continuer, veuillez enregistrer votre produit sur le site web de ECOVACS ROBOTICS [www.ecovacsrobotics.com/registration/](http://www.ecovacsrobotics.com/registration/). Nous vous suggérons aussi de conserver avec soin le numéro du modèle, le numéro de série, la date d'achat et d'attacher votre reçu avec cette page.

N° MODÈLE \_\_\_\_\_

N° DE SÉRIE \_\_\_\_\_

DATE D'ACHAT \_\_\_\_ / \_\_\_\_ / \_\_\_\_

Dans le cas où vous auriez des problèmes avec la programmation ou le fonctionnement du robot, veuillez nous appeler avant de rejoindre le marchand ou de lui envoyer le produit. Pour obtenir de l'assistance, appelez au numéro sans frais 1 844 ECOVACS (1 844 326-8227) ou au 1 330 994-1760 si vous appelez de l'extérieur des États-Unis et du Canada.

***Merci d'avoir choisi DEEBOT!***

# Contenu

---

<b>1. Instructions importantes de sécurité</b>	36
<b>2. Contenu de l'emballage et spécifications techniques</b>	41
2.1 Contenu de l'emballage	41
2.2 Spécifications	42
2.3 Diagramme schématique du produit	42
<b>3. Fonctionnement et programmation</b>	45
3.1 Remarques précédant le nettoyage	45
3.2 Guide de démarrage rapide	47
3.3 Sélection du mode de nettoyage	51
3.4 Programmation du robot	53
3.5 Réglages supplémentaires	54
3.6 Système avancé de lavage à eau/à sec optionnel	55
3.7 Aspirateur portatif détachable	57
3.8 Rapport vocal	59
<b>4. Entretien</b>	60
4.1 Récipient à poussière et filtres	60
4.2 Chiffon de nettoyage avancé à eau / à sec, réservoir de nettoyage avancé à eau / à sec	61
4.3 Brosse principale et brosses latérales	62
4.4 Aspirateur portatif	63
4.5 Autres composants	65
4.6 Entretien régulier	66
<b>5. Dépannage</b>	67

## 1. Instructions importantes de sécurité

# AVERTISSEMENT IMPORTANT POUR INSTRUCTIONS DE SÉCURITÉ :

**Lire tous les avertissements et instructions de sécurité. Ne pas suivre les avertissements et les instructions peut entraîner une décharge électrique, un incendie ou des blessures graves.**

Lors de l'utilisation d'un appareil électrique, les précautions de base suivantes doivent être suivies :

**LIRE TOUTES LES INSTRUCTIONS AVANT L'UTILISATION DE L'APPAREIL.**

**AVERTISSEMENT :** Pour réduire le risque d'incendie, de décharges électriques ou de blessures :

1. L'appareil ne doit pas être utilisé comme un jouet. Une attention particulière est nécessaire lorsqu'il est utilisé par des enfants ou près d'eux.
2. Ranger la région à nettoyer. Retirer le câble d'alimentation et les petits objets situés sur le plancher pour éviter l'accrochage avec l'appareil. Glisser les franges sous le tapis, dégager le plancher et relever les bouts des rideaux et nappes.
3. Lors de l'opération de l'appareil dans une région avec une marche, assurez-vous que l'appareil détecte la région pour éviter la chute. Il se peut qu'il soit nécessaire de placer une barrière physique pour empêcher la chute. Assurez-vous que la barrière n'est pas un danger de chute.
4. Utiliser l'appareil seulement de la manière décrite dans ce manuel. Utiliser seulement les accessoires recommandés ou vendus par le fabricant.
5. Veuillez vous assurer que le voltage de la prise est le même que celui inscrit sur la station de charge et l'adaptateur d'alimentation c.a.
6. Ne pas manipuler la fiche électrique ou l'appareil avec des mains humides.
7. Utiliser uniquement la batterie rechargeable d'origine ainsi que la station de charge et l'adaptateur d'alimentation c.a. vendus par le fabricant et fournis avec l'appareil. Les batteries non rechargeables sont interdites. Pour obtenir plus de renseignements sur la batterie, veuillez consulter la section Spécifications.

## 1. Instructions importantes de sécurité

8. Ne pas utiliser si le récipient à poussière ou les filtres ne sont pas en place.
9. Ne pas utiliser l'aspirateur dans une pièce avec des chandelles ou des objets fragiles sur le plancher à nettoyer.
10. Ne pas utiliser et entreposer dans un environnement à température extrêmement chaude ou froide (inférieure à -5 °C/23 °F ou supérieure à 40 °C/104 °F). Veuillez charger le robot à une température supérieure à 0° C/32 °F et en dessous de 40° C/104 °F.
11. Les cheveux, les vêtements amples, les doigts et toutes les parties du corps doivent être tenus à l'écart de toutes ouvertures et pièces mobiles.
12. Ne pas utiliser l'appareil dans une pièce où les enfants ou nouveau-nés dorment.
13. Ne pas utiliser l'appareil sur une surface humide ou mouillée. Ne pas utiliser à l'extérieur. Pour utilisation INTÉRIEURE SEULEMENT.
14. Éviter le contact de l'appareil avec de gros objets, comme les pierres, les gros morceaux de papier ou tout autre objet pouvant bloquer l'appareil.
15. Ne pas utiliser l'appareil pour ramasser les produits inflammables ou combustibles, comme la gasoline, l'encre d'imprimante ou de copieur, ou utiliser dans un endroit où ces produits peuvent être présents.
16. Ne pas utiliser l'appareil pour ramasser les objets qui brûlent ou sont enflammés, comme les cigarettes, les allumettes, les cendres chaudes ou tout autre objet pouvant s'enflammer.
17. Ne pas placer d'objet dans l'entrée de poussière. Ne pas utiliser si l'entrée de poussière est bloquée. L'entrée de poussière doit être dégagée, sans poussière, peluche, cheveux ou tout autre objet pouvant réduire la circulation d'air.
18. Soyez vigilant avec le câble d'alimentation et évitez tout dommage. Ne pas tirer ou transporter l'appareil, la station de charge ou l'adaptateur c.a. par l'entremise du câble d'alimentation, utiliser le câble d'alimentation en poignée, fermer une porte sur le câble d'alimentation ou tirer le câble sur une surface coupante. L'appareil ne doit pas passer sur le câble d'alimentation. Garder éloigné le câble d'alimentation de toutes les surfaces chaudes. Ne pas tirer sur le cordon pour débrancher l'appareil; tirer plutôt sur la fiche.

## 1. Instructions importantes de sécurité

---

19. Si le câble d'alimentation est endommagé, il doit être remplacé par le fabricant ou un agent de service à la clientèle pour éviter tout danger.
20. Ne pas utiliser la station de charge ou l'adaptateur d'alimentation c. a. s'ils sont endommagés.
21. Ne pas utiliser avec une fiche ou un câble d'alimentation endommagé. Ne pas utiliser l'appareil, la station de charge ou l'adaptateur d'alimentation c. a. s'ils ne fonctionnent pas normalement, s'ils ont été échappés, endommagés, laissés à l'extérieur ou s'ils entrent en contact avec de l'eau. Il doit être réparé par le fabricant ou un agent de service à la clientèle pour éviter tout danger.
22. Éteindre à l'aide du bouton d'alimentation avant de nettoyer ou de faire l'entretien de l'appareil. Fermer tous les contrôles avant de débrancher.
23. La fiche du réceptacle doit être retirée avant d'effectuer le nettoyage ou l'entretien de la station de charge ou de l'adaptateur d'alimentation c. a.
24. Retirer l'appareil de la station de charge ou de l'adaptateur d'alimentation c. a. et éteindre avec l'interrupteur situé sur l'appareil avant de retirer la batterie pour la mise au rebut de l'appareil.
25. La batterie doit être retirée et mise au rebut de façon appropriée et en accord avec les lois et réglementations régionales avant la mise au rebut de l'appareil.
26. Veuillez mettre au rebut les batteries selon les lois et réglementations locales.
27. Ne pas incinérer l'appareil même s'il est sévèrement endommagé. Les batteries en feu peuvent exploser.
28. Débrancher la station de charge ou l'adaptateur d'alimentation c. a. s'ils ne sont pas utilisés pour une longue période de temps.
29. L'appareil doit être utilisé comme l'indiquent les instructions dans le manuel de l'utilisateur. ECOVACS ROBOTICS n'est pas responsable des blessures ou des dommages causés par une utilisation inappropriée.

**30. AVERTISSEMENT** : Afin de recharger la batterie, n'utiliser que les blocs d'alimentation CH1459C et EA10952E fournis avec cet appareil.

# 1. Instructions importantes de sécurité

---

31. Prévenir le démarrage accidentel. S'assurer que l'interrupteur est en position arrêt avant de connecter au bloc-piles, de ramasser ou de transporter l'appareil. Transporter l'appareil avec votre doigt sur l'interrupteur ou avec l'appareil alimenté avec l'interrupteur en position de marche peut favoriser les accidents.
32. Lorsque le bloc-piles n'est pas en fonction, le tenir à l'écart d'autres objets métalliques, comme les trombones, les pièces de monnaie, les clés, les vis, les clous ou d'autres petits objets métalliques qui peuvent établir une connexion d'un terminal à un autre. Un court-circuit des bornes de la batterie peut causer des brûlures ou un incendie.
33. Dans des conditions abusives, du liquide peut être éjecté de la batterie; éviter le contact. En cas de contact accidentel, rincer immédiatement les parties atteintes avec de l'eau. Si du liquide entre en contact avec les yeux, solliciter également de l'aide médicale. Le liquide s'échappant de la batterie peut causer des irritations ou des brûlures.
34. Ne pas utiliser un bloc-piles ou un appareil qui est endommagé ou modifié. Les piles endommagées ou modifiées peuvent avoir un comportement imprévisible pouvant causer un incendie, une explosion ou des blessures.
35. Ne pas exposer un bloc-piles ou un appareil au feu ou à une température élevée. Une exposition au feu ou à une température au-dessus de 130 °C peut causer une explosion. La température de 130 °C est équivalente à 265 °F.
36. Suivre toutes les instructions de chargement et ne pas charger le bloc-piles si la température n'est pas dans la plage spécifiée dans les instructions. Un chargement incorrect ou à une température en dehors de la plage spécifiée peut endommager la batterie et augmenter le risque d'incendie.
37. L'entretien doit être fait par un technicien qualifié seulement avec des pièces de remplacement identiques. Cela assurera le maintien de la sécurité du produit.
38. Ne pas modifier l'appareil ou le bloc-piles (le cas échéant), sauf comme indiqué dans les instructions d'utilisation et d'entretien.
39. Déconnecter le bloc-piles de l'appareil avant de faire tout ajustement. Ces mesures de précaution réduisent le risque de démarrage accidentel de l'appareil.
40. Mettre de côté les cordons d'autres appareils pour être nettoyés.

# 1. Instructions importantes de sécurité

---

41. Ne pas faire fonctionner l'aspirateur dans une pièce qui contient des chandelles sur des meubles que l'aspirateur pourrait accidentellement frapper ou percuter.
42. Ne pas laisser les enfants s'asseoir sur l'aspirateur.
43. Faire preuve de vigilance en nettoyant sur des escaliers avec l'aspirateur portatif.
44. Le robot contient des batteries qui ne sont remplaçables que par des personnes qualifiées. Pour remplacer la batterie du robot, communiquer avec le service à la clientèle.
45. Si le robot n'est pas utilisé pour une période prolongée, charger complètement le robot et éteindre pour l'entreposer et débrancher la station de recharge.

## CONSERVER CES INSTRUCTIONS Pour une utilisation domestique seulement.

### **Cet appareil est conforme aux règles de radiation du DHHS, 21 CFR chapitre 1, sous-chapitre J.**

Pour désactiver le module Wi-Fi du DEEBOT, allumez DEEBOT. Placez le robot sur la station de charge en vous assurant que les points de contact de la charge du DEEBOT et les broches de la station de charge se touchent. Maintenez enfoncé le bouton du mode AUTO se trouvant sur le robot pendant 20 secondes, jusqu'à ce que le DEEBOT émette 3 bips.

Pour activer le module Wi-Fi du DEEBOT, éteignez-le et allumez DEEBOT. Le module Wi-Fi est activé lorsque le DEEBOT est redémarré.

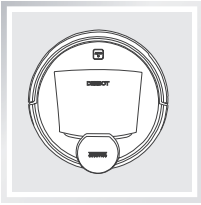
Le présent appareil est conforme aux CNR d'Industrie Canada applicables aux appareils radio exempts de licence. L'exploitation est autorisée aux deux conditions suivantes : (1) l'appareil ne doit pas produire de brouillage, et (2) l'utilisateur de l'appareil doit accepter tout brouillage radioélectrique subi, même si le brouillage est susceptible d'en compromettre le fonctionnement.

Les antennes installées doivent être situées de façon à ce que la population ne puisse y être exposée à une distance de moins de 20 cm. Installer les antennes de façon à ce que le personnel ne puisse approcher à 20 cm ou moins de la position centrale de l'antenne.

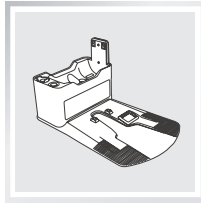
La FCC des États-Unis stipule que cet appareil doit être en tout temps éloigné d'au moins 20 cm des personnes pendant son fonctionnement.

## 2. Contenu de l'emballage et spécifications techniques

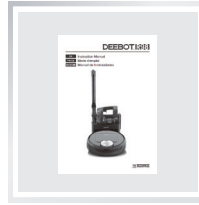
### 2.1 Contenu de l'emballage



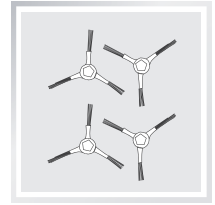
Robot



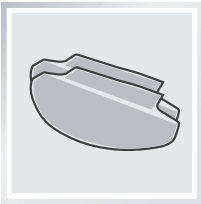
Station de recharge  
(utilisée avec l'adaptateur  
d'alimentation)



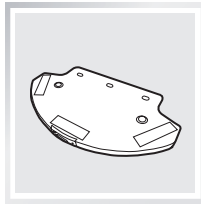
Mode d'emploi



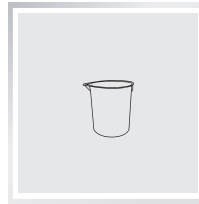
(4) Brosses



(2) Chiffons de  
nettoyage avancé à  
eau/à sec



Réservoir de  
nettoyage avancé à  
eau/à sec



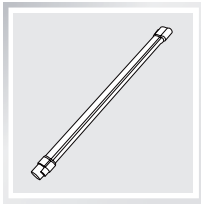
Tasse à mesurer



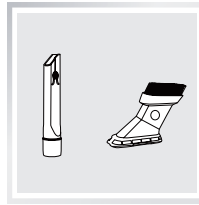
Guide de démarrage  
rapide



Aspirateur portatif



Tube de rallonge



Suceur plat et brosse  
à tissu

## 2. Contenu de l'emballage et spécifications techniques

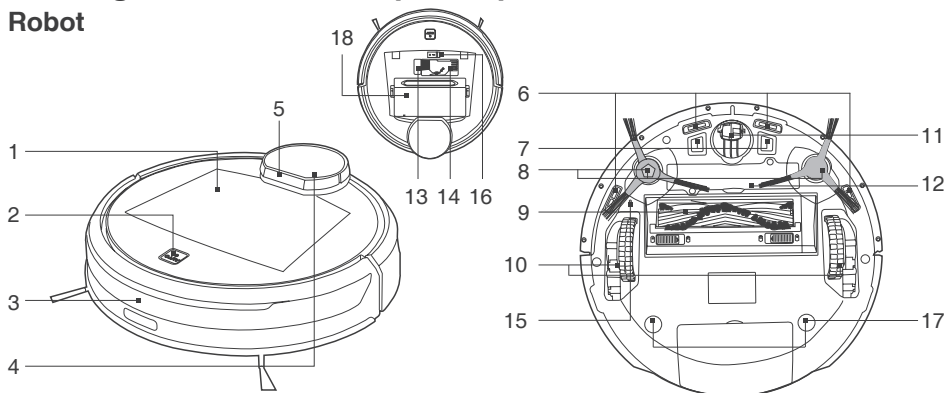
### 2.2 Spécifications

<b>Modèle</b>	<b>DR98</b>		
Tension fonctionnelle	14.8V DC	Puissance nominale	50W
Modèle de bloc-piles	1355-10056-000-00-H001	Modèle de bloc-piles	Lithium 14.48V DC, 2850mAh
<b>Modèle de bloc-piles</b>	<b>CH1459C</b>		
Tension d'entrée nominale	24V DC	Tension de sortie	24V DC
Courant de sortie nominal	3.5A	Puissance nominale	90W
<b>Aspirateur portatif</b>	<b>ZJ1458</b>		
Tension d'entrée nominale	18.5V DC	Puissance nominale	130W
<b>Modèle de bloc-piles Aspirateur portatif</b>	5ISR18650-2000	Spécifications du bloc-piles Aspirateur portatif	Lithium, 18.5V, 2000mAh
<b>Laser</b>	<b>Puissance maximale : 2,5 mW</b> <b>Fréquence : 1,8 kHz</b> <b>Vitesse de rotation : 300 ±5 cercles/minute</b>		
<b>Adaptateur d'alimentation : EA10952E</b>			
Entrée : 100 à 240 V AC 50-60Hz 2,5 A		Sortie : 24 V DC 3,75 A	

\* Les spécifications techniques et de conception peuvent être modifiées au cours de l'amélioration continue du produit.

### 2.3 Diagramme schématique du produit

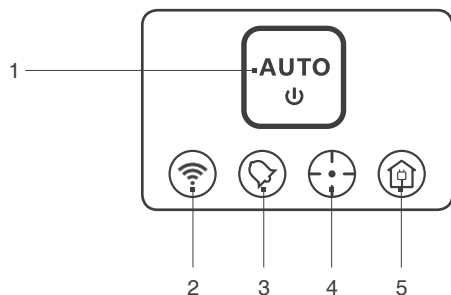
#### Robot



- |   |                                   |   |
|---|-----------------------------------|---|
| 1. Couvercle supérieur                          | 7. Points de contact de la charge | 14. Outil de nettoyage multifonction                    |
| 2. Bouton de mode AUTO                          | 8. Brosses latérales              | 15. Touche de réinitialisation « RESET »                |
| 3. Capteur anticollision et barre-tampon        | 9. Brosse principale              | 16. Interrupteur d'alimentation                         |
| 4. Capteur de distance au laser (LDS)           | 10. Roues motrices                | 17. Fentes du réservoir de nettoyage avancé à eau/à sec |
| 5. Barre-tampon du capteur de distance au laser | 11. Roue universelle              | 18. Récipient à poussière                               |
| 6. Capteurs anti-chute                          | 12. Bloc-pile et vis              |   |
|   | 13. Port de mise à niveau         |   |

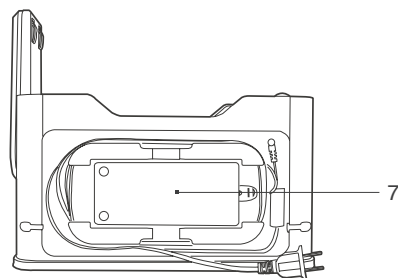
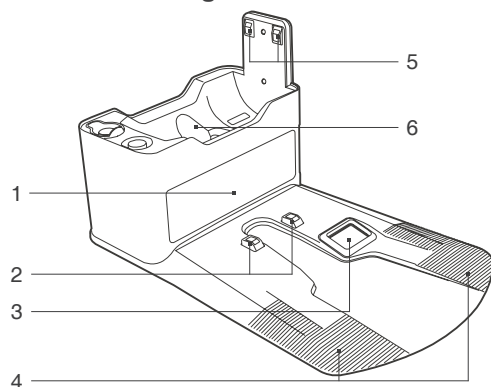
## 2. Contenu de l'emballage et spécifications techniques

### Panneau de contrôle



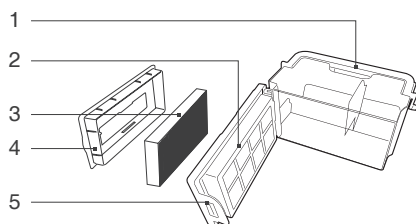
1. Bouton de mode AUTO
2. Indicateur Wi-Fi
3. Indicateur de nettoyage programmé
4. Témoin Mode ponctuel
5. Indicateur de mode de retour au chargeur

### Station de charge



- |  |   |   |
|--|---|---|
| 1. Générateurs de signaux infrarouges            | 3. Entrée de vidange automatique de poussière                 | 6. Mode de transfert Vidange de poussière automatique |
| 2. Broches de la station de charge pour le robot | 4. Bandes antidérapantes                                      | 7. Adaptateur d'alimentation                          |
| 3. Entrée de vidange automatique de poussière    | 5. Broches de la station de charge pour l'aspirateur portatif |   |

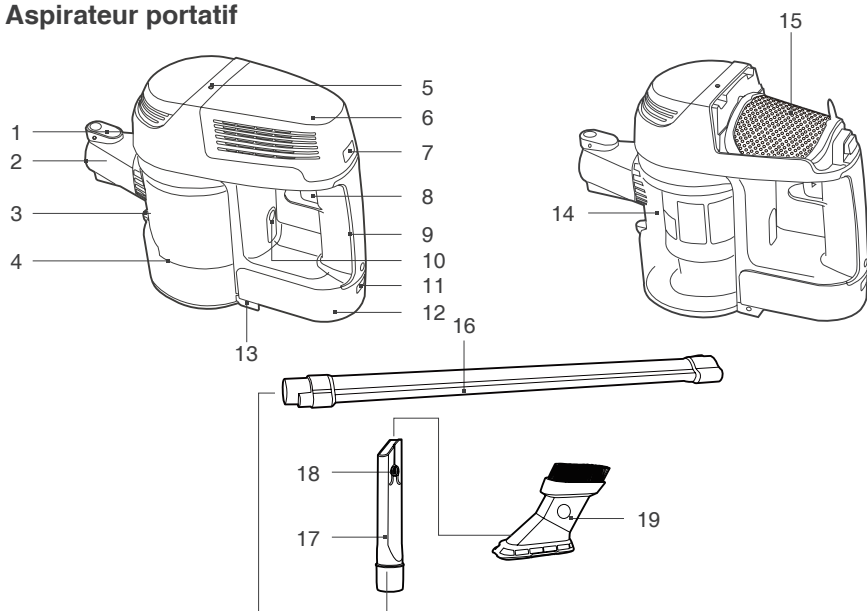
### Récipient à poussière



1. Poignée du récipient à poussière
2. Filet de filtre
3. Filtre à haute efficacité
4. Couverture du récipient à poussière
5. Verrou du récipient à poussière

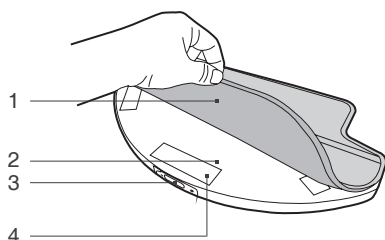
## 2. Contenu de l'emballage et spécifications techniques

### Aspirateur portatif



- |  |   |
|--|---|
| 1. Bouton de déverrouillage du tube de rallonge/ suceur plat       | 10. Bouton de déverrouillage du contenant de poussière              |
| 2. Entrée de vidange automatique de poussière                      | 11. Bouton de déverrouillage du bloc-piles de l'aspirateur portatif |
| 3. Bouton de déverrouillage du couvercle du contenant de poussière | 12. Bloc-piles de l'aspirateur portatif                             |
| 4. Contenant de poussière transparent                              | 13. Contacts de charge de l'aspirateur portatif                     |
| 5. Témoin d'alimentation   | 14. Filet de filtre du contenant de poussière                       |
| 6. Couvercle de la sortie d'air                                    | 15. Filtre de la sortie d'air                                       |
| 7. Bouton de déverrouillage du couvercle de la sortie d'air        | 16. Tube de rallonge  |
| 8. Bouton d'alimentation de l'aspirateur portatif                  | 17. Suceur plat   |
| 9. Manche  | 18. Bouton de déverrouillage de la brosse à tissus                  |
|  | 19. Brosse à tissus   |

### Chiffon de nettoyage avancé à eau/à sec, réservoir de nettoyage avancé à eau/à sec

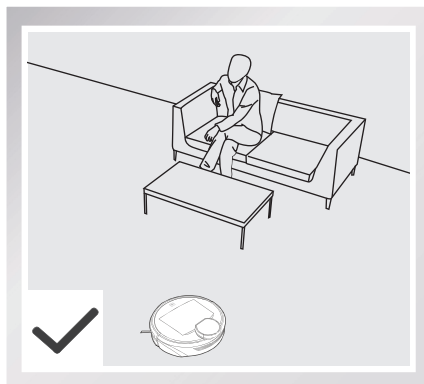


- |  |
|--|
| 1. Chiffon de nettoyage avancé à eau/à sec   |
| 2. Réservoir de nettoyage avancé à eau/à sec |
| 3. Arrivée d'eau                             |
| 4. Velcro                                    |

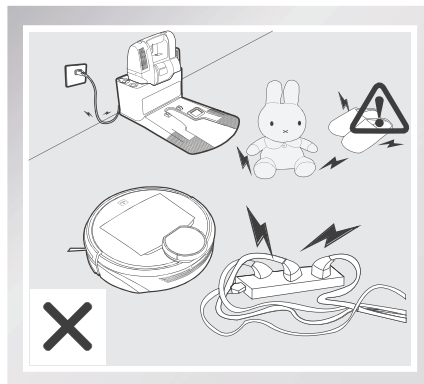
## 3. Fonctionnement et programmation

### 3.1 Remarques précédant le nettoyage

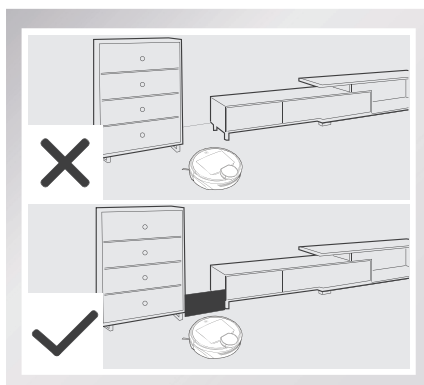
Le DEEBOT utilise la technologie propriétaire d'analyse par laser SMART NAVI pour cartographier l'environnement de la demeure. Avant d'utiliser DEEBOT, prenez un moment pour évaluer la zone à nettoyer et retirer tout obstacle.



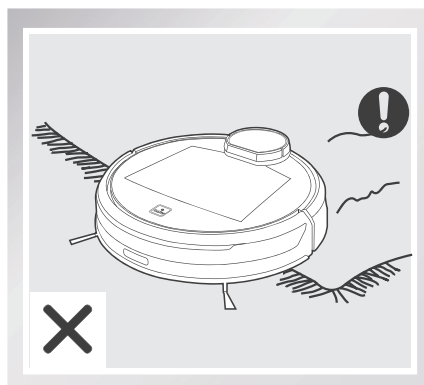
Veillez superviser le DEEBOT lors du premier nettoyage et fournir votre aide en cas de problème.



Retirez les cordons d'alimentation et petits objets du sol où le produit pourrait s'emmêler.

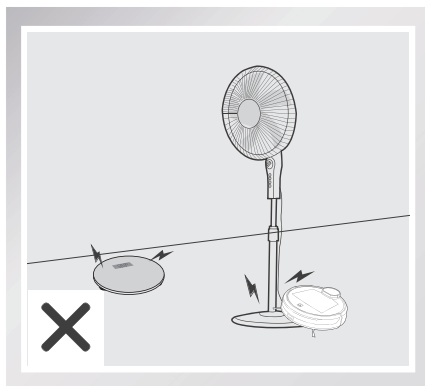


S'il y a une entrée étroite entre des meubles, positionnez une barrière physique afin d'empêcher le robot de franchir cette région.

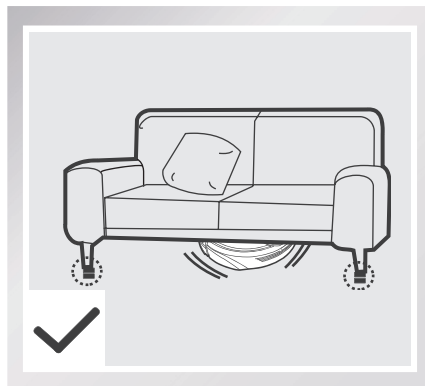


Le produit ne convient pas aux tapis à poil long. Avant d'utiliser le produit près d'une carpepe, veuillez plier les franges sous le tapis.

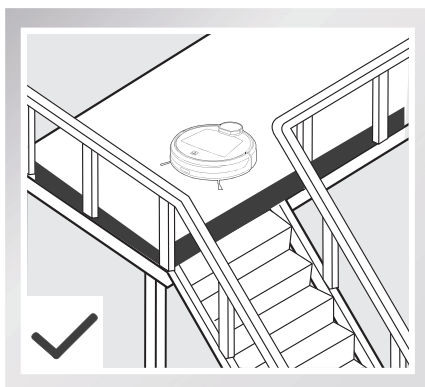
### 3. Fonctionnement et programmation



Veillez noter que le DEEBOT peut franchir des objets d'une hauteur de moins de 1,8 cm (0,7 po). Retirez ces objets si possible.

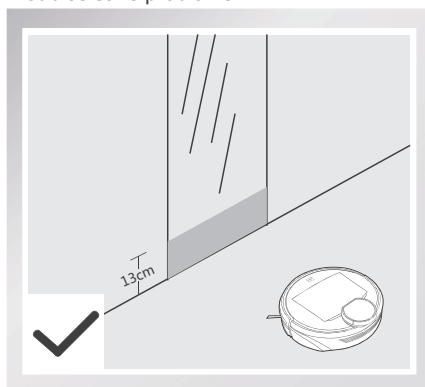


Veillez également noter que le DEEBOT nécessite au moins 11 cm (4,3 po) de dégagement afin de nettoyer sous les meubles sans problème.

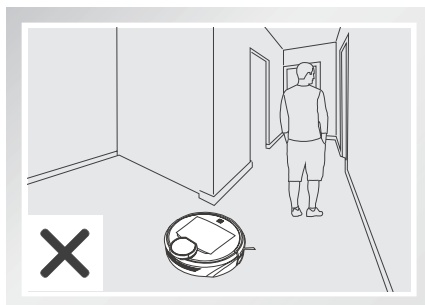


S'il y a une marche ou des escaliers dans la zone à nettoyer, veuillez faire fonctionner DEEBOT en vous assurant que ses capteurs anti-chute peuvent détecter la chute. Il pourrait être nécessaire de placer une barrière physique au bord de la descente pour éviter que l'unité ne tombe.

Lorsque le DEEBOT procède au nettoyage, évitez de vous trouver dans les espaces étroits, comme les passages, car l'appareil pourrait avoir du mal à déterminer les régions à nettoyer.



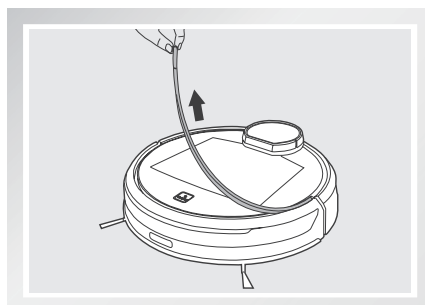
Recouvrez les surfaces réfléchissantes à moins de 13 cm (5,1 po) du sol.



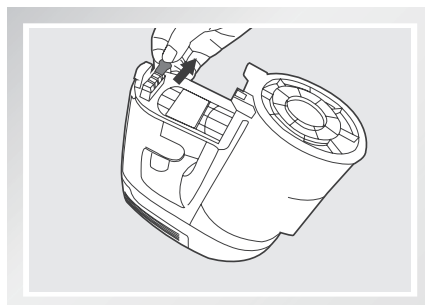
## 3. Fonctionnement et programmation

### 3.2 Guide de démarrage rapide

- Retirez la bande de protection de la barre-tampon avant d'utiliser le robot.

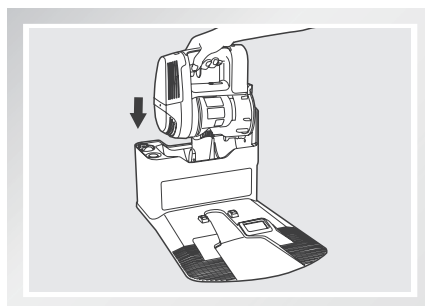


- Avant la première utilisation, veuillez retirer l'isolant placé sur le bloc-piles de l'aspirateur portatif.



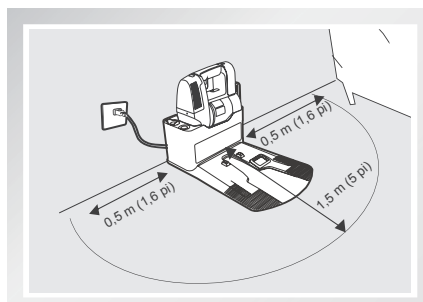
### 1 Disposition de la station de charge

- Insérez l'aspirateur portatif dans la station de recharge et assurez-vous qu'il est solidement fixé.



## 3. Fonctionnement et programmation

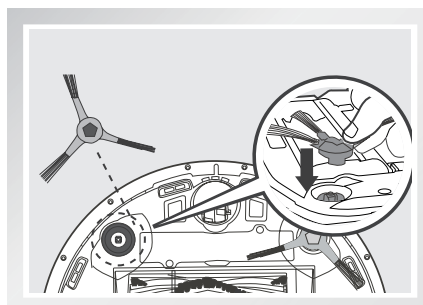
- Placez la station de charge sur un sol à niveau, contre le mur, et de manière à ce qu'elle soit perpendiculaire au sol. Conservez un espace libre de 1,5 m (5 pi) devant le chargeur et 0,5 m (1,6 pi) de chaque côté du chargeur libre d'objets et de surfaces réfléchissantes.
- Branchez la station de charge.



- \* L'aspirateur portatif commence immédiatement à se recharger lorsque la station de recharge est branchée.
- \* Ne déplacez pas la station de charge une fois que le DEEBOT a analysé l'environnement. S'il est nécessaire de déplacer la station de charge, coupez l'alimentation du DEEBOT et réalimentez-le. Ainsi, le DEEBOT réanalysera l'environnement.

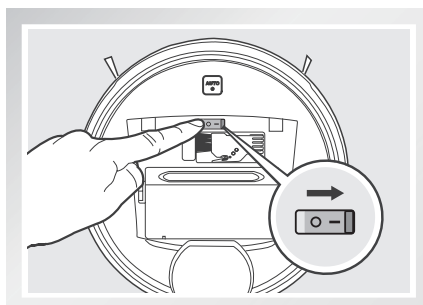
### 2 Installation des brosses latérales

- Fixez les brosses latérales au bas de DEEBOT en appuyant sur chaque brosse jusqu'à ce qu'elle clique dans la fente correspondant à sa couleur.



### 3 Mise sous tension

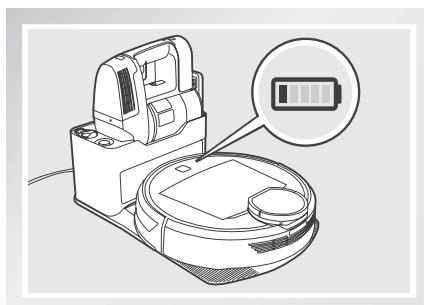
- Ouvrez le couvercle supérieur. Déplacez l'interrupteur vers la position « I ». Le panneau de commande s'illumine, le DEEBOT émet de la musique et le bouton du mode AUTO s'allume. Le DEEBOT est alimenté lorsque le bouton du mode AUTO reste allumé.



### 3. Fonctionnement et programmation

#### 4 Chargement de DEEBOT

- Placez le DEEBOT sur la station de charge en vous assurant que les points de contact de la charge du DEEBOT et les broches de la station de charge se touchent.

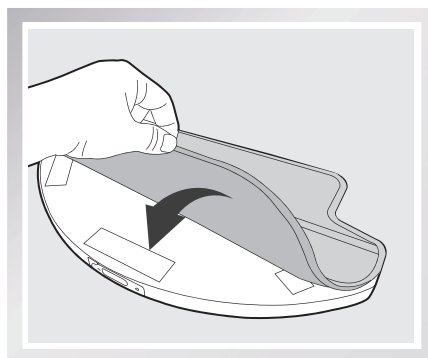


- \* Assurez-vous que l'interrupteur d'alimentation est activé avant le chargement. (Symbole « O » pour la désactivation et symbole « I » pour l'activation.)
- \* Chargez le DEEBOT pendant au moins 4 heures avant la première utilisation. Le bouton de mode AUTO clignote lors du chargement et s'éteint lorsque le DEEBOT est entièrement chargé. Appuyez sur le bouton de mode AUTO du robot ou sur n'importe quel bouton sur l'écran de l'application pour éveiller le robot.
- \* Retirez le réservoir de nettoyage avancé à eau/à sec avant de charger le DEEBOT.

#### 5 Fixez un chiffon de nettoyage, si désiré

- Pour utiliser le système de nettoyage avancé à eau/à sec, fixez le réservoir à eau/à sec et le chiffon de nettoyage lavable avant de procéder.

- \* Pendant l'utilisation de la fonctionnalité de nettoyage, pliez les bords de la carquette sous le tapis pour que le DEEBOT l'évite.
- \* Veuillez consulter la section 3.6 Système avancé de lavage à eau/à sec optionnel pour des instructions complètes.

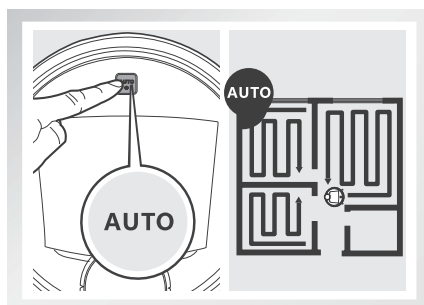


## 3. Fonctionnement et programmation

### 6 Mise en marche

- Appuyez sur le bouton du mode AUTO se trouvant sur le robot. Le DEEBOT se déplace pour analyser l'environnement et générer une cartographie. Il se met ensuite au travail en mode de nettoyage automatique au même moment.

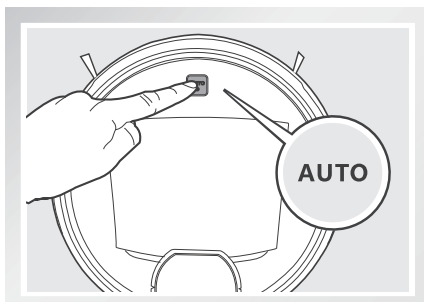
- \* Le DEEBOT doit être activé pour procéder au nettoyage.
- \* Pour choisir un autre mode de nettoyage, veuillez consulter la section 3.3 Sélection du mode de nettoyage, pour plus de détails.
- \* Ne déplacez pas manuellement le robot lors du nettoyage ou de la charge.



### 7 Mise en pause

- Mettez le DEEBOT en pause en appuyant sur le bouton de mode AUTO du robot.

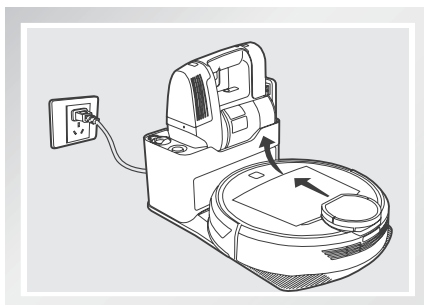
- \* Le bouton de mode AUTO du panneau de contrôle du robot cesse de briller si le robot est mis en pause pendant plus de 10 minutes. Appuyez sur le bouton de mode AUTO du robot ou sur n'importe quel bouton sur l'écran de l'application pour éveiller le robot.



### 8 Vidange automatique

- Lorsque le DEEBOT a terminé le nettoyage ou que la charge de la batterie est faible, il retourne automatiquement à sa station de charge pour se recharger. Une fois que le DEEBOT s'attache avec succès, il vide automatiquement son contenant à poussière dans l'aspirateur portatif.

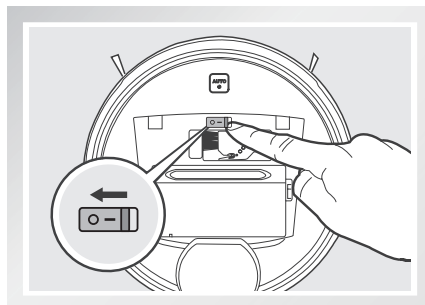
- \* La vidange automatique durera environ 20 secondes. Ne retirez pas l'aspirateur portatif de la station de recharge au cours du chargement pour éviter les fuites de poussière ou les dommages.



## 3. Fonctionnement et programmation

### 9 Mise hors tension

- Ouvrez le couvercle supérieur du robot. Positionnez l'interrupteur à la position « O » pour l'éteindre.




- \* Lorsque DEEBOT n'est pas en fonction, il est suggéré de le laisser allumé dans la station de charge.
- \* Le DEEBOT efface sa cartographie lorsqu'il est éteint. Nous vous suggérons de garder le DEEBOT allumé s'il ne change pas d'environnement.
- \* Si le DEEBOT est éteint, pour rétablir la cartographie dans le même environnement, rallumez le DEEBOT et suivez les instructions sur l'application ECOVACS.

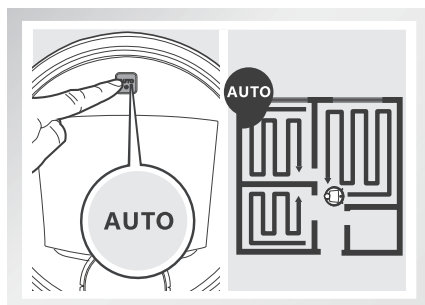
### 3.3 Sélection du mode de nettoyage

DEEBOT offre plusieurs modes de nettoyage que vous pourrez choisir pour nettoyer efficacement les différents planchers. Les modes de nettoyage sont sélectionnés au moyen de l'application ECOVACS ou du bouton du mode AUTO situé sur le panneau de commande du robot.

#### 1 Mode de nettoyage AUTO

Il s'agit du mode le plus communément utilisé. En mode de nettoyage automatique, le DEEBOT effectue un nettoyage en va-et-vient et en lignes droites.


- Pour entrer en mode de nettoyage automatique, appuyez sur le bouton de mode AUTO du robot ou encore appuyez sur le bouton  de l'application.



## 3. Fonctionnement et programmation


### 2 Mode de nettoyage ponctuel

Ce mode s'applique à une zone de saleté ou poussière concentrée. En mode de nettoyage ponctuel, le DEEBOT se concentre sur une région particulière et retourne à la station de charge lorsque le nettoyage est terminé.

- Pour entrer en mode de nettoyage ponctuel, appuyez sur  à l'écran principal de l'application. Le DEEBOT nettoie la région sélectionnée et lui ajoute un pourtour de 1 m (3,2 pi).

### 3 Mode de nettoyage de région

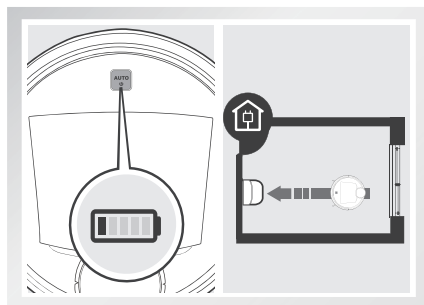
Après que le DEEBOT a analysé et cartographié l'environnement, il est possible de sélectionner des régions particulières sur la carte au moyen du mode de nettoyage de région. \* Il est également possible de régler le mode de nettoyage de région à l'aide de l'application.

- Pour sélectionner ou désélectionner une région, appuyez sur  à l'écran principal de l'application.

\* Le DEEBOT peut seulement reconnaître une ouverture de porte entre 40 et 160 cm (entre 1,3 et 5,2 pi) et un périmètre supérieur à 8 m (26,2 pi).

### 4 Mode de retour au chargeur

- Lorsque la batterie s'affaiblit ou que le DEEBOT a terminé son nettoyage, il se place automatiquement en mode de retour au chargeur et retourne lui-même à la station de charge.
- Le DEEBOT peut également être retourné à la station de charge à tout moment en sélectionnant le mode Retour au chargeur sur l'écran de l'application.



\* Après avoir appuyé sur le bouton du mode de retour à la station de charge de l'écran principal de l'application, le DEEBOT continuera le nettoyage jusqu'à ce qu'il se trouve à proximité de la station de charge. Lorsqu'il sera à proximité de la station de charge, le DEEBOT réduira sa vitesse et se connectera doucement à la station.

## 3. Fonctionnement et programmation

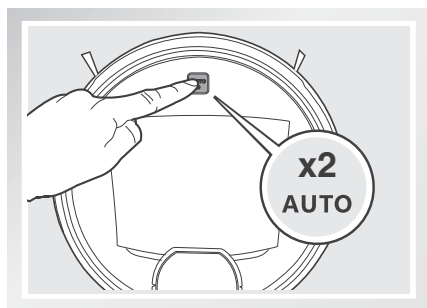
### 3.4 Programmation du robot

Le DEEBOT dispose d'une fonction de programmation intelligente et de programmation horaire afin de définir les moments de nettoyage. Le DEEBOT peut être programmé pour un nettoyage automatique une fois par jour à la même heure au moyen d'une programmation intelligente effectuée à partir du panneau de commande du robot. Le DEEBOT peut également être programmé pour un nettoyage hebdomadaire une fois par jour à des moments choisis au moyen de l'application. Tous les nettoyages programmés sont effectués en mode de nettoyage automatique ou de région, selon ce qui est sélectionné au moment du nettoyage.

#### Programmation de l'heure de nettoyage

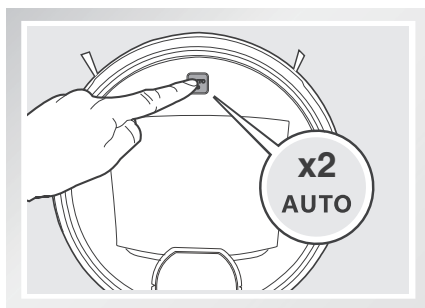
##### 1 Programmation de l'heure de nettoyage au moyen d'une programmation intelligente

- DEEBOT can be scheduled to clean once per day at the same time, even if nobody is at home. Double click the AUTO Mode Button on the robot to set the current time as the scheduled cleaning time. Intelligent Scheduling is set successfully when the robot generates a voice report. DEEBOT automatically cleans at the scheduled cleaning time every day.



##### 2 Programmation de l'heure de nettoyage au moyen d'une programmation intelligente

- Press the AUTO Mode Button on the robot twice. Intelligent Scheduling is cancelled when the robot generates a voice report.



##### 3 Programmation de l'heure de nettoyage

Le DEEBOT peut être programmé de manière hebdomadaire pour un nettoyage quotidien à des moments particuliers au moyen de l'application ECOVACS.

Ouvrez l'application ECOVACS. Appuyez sur « ... » dans le coin supérieur droit de l'écran principal de l'application. Définissez la nouvelle programmation de nettoyage et annulez les nettoyages programmés existants dans « Programmation horaire ».


## 3. Fonctionnement et programmation


---

### 3.5 Réglages supplémentaires

#### Délimitation virtuelle

**Une délimitation virtuelle empêche le nettoyage d'une région particulière.**

Pour définir une délimitation virtuelle, appuyez sur  dans l'écran de cartographie de l'application.

- \* Il est possible de signaler de manière manuelle au DEEBOT les régions bloquées au moyen du bouton  dans l'application.
- \* Le DEEBOT retournera tout de même à la station de charge s'il se trouve dans une région bloquée.

#### Fonction de nettoyage continu avec l'option Ne pas déranger

Si la fonction de nettoyage continu est activée, lorsque le DEEBOT est entièrement chargé, il retournera au nettoyage des régions à nettoyer de la dernière tâche. L'utilisateur peut définir des plages horaires avec le statut Ne pas déranger afin d'empêcher le DEEBOT de procéder au nettoyage continu pendant ces périodes.

Pour d'autres réglages, appuyez sur « ... » dans le coin supérieur droit de l'écran principal de l'application. Vous y trouverez les fonctions pour vérifier l'enregistrement de nettoyage, définir la fonction de nettoyage, programmer une heure de nettoyage, réinitialiser la cartographie, définir la langue des rapports vocaux et mettre à jour le micrologiciel.

## 3. Fonctionnement et programmation

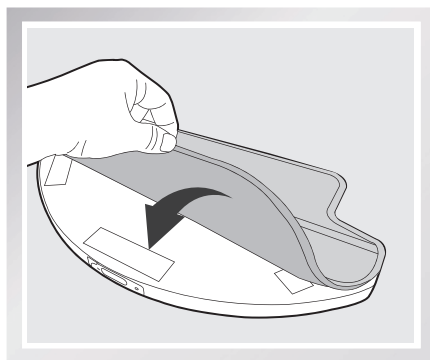
### 3.6 Système avancé de lavage à eau/à sec optionnel

Le DEEBOT possède un système de nettoyage optionnel au moyen d'un chiffon de nettoyage à eau/à sec fixé à un réservoir de nettoyage à eau/à sec. Le chiffon de nettoyage lavable et réutilisable à eau/à sec lave automatiquement le plancher puis le sèche pour un nettoyage impeccable.

- \* N'utilisez pas le système de nettoyage sur les tapis.
- \* Pendant l'utilisation du système de nettoyage, pliez les bords de la carquette sous le tapis pour que le DEEBOT l'évite.
- \* Pendant que le robot est en train de nettoyer, assurez-vous qu'il est en mouvement. Cela permet d'éviter que le réservoir de nettoyage à eau/à sec laisse de l'eau sur le plancher.
- \* Retirez le réservoir de nettoyage avancé à eau/à sec avant de charger le DEEBOT.

#### 1 Fixation du chiffon de nettoyage avancé à eau/à sec

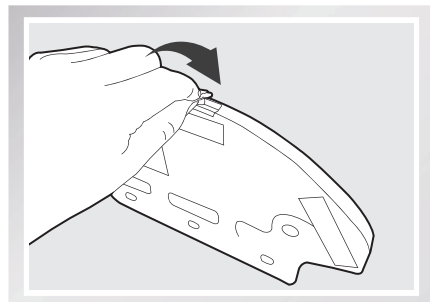
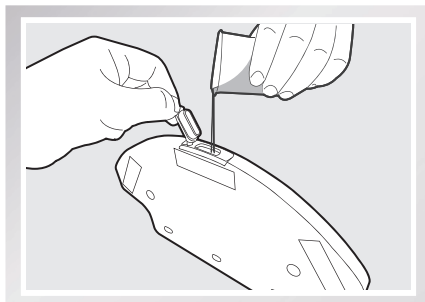
- Fixez un chiffon de nettoyage avancé à eau/à sec au réservoir de nettoyage.



#### 2 Ajout d'eau dans le réservoir avancé de nettoyage à eau/à sec

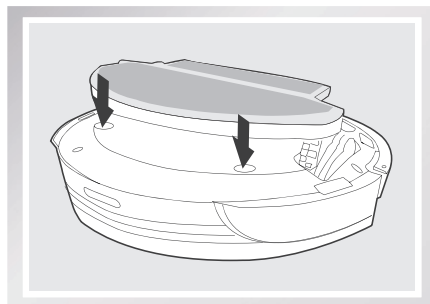
- \* Avant d'ajouter de l'eau au réservoir avancé de nettoyage à eau/à sec, retirez-le de la base du robot.

Remplissez la tasse à mesurer avec de l'eau. Ouvrez le couvercle de l'arrivée d'eau sur le réservoir de nettoyage avancé à eau/à sec et versez lentement l'eau mesurée dans le réservoir. Fermez le couvercle de l'arrivée d'eau.



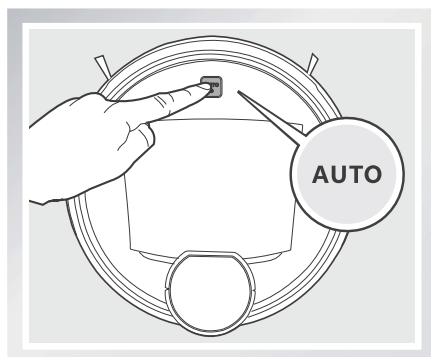
### 3. Fonctionnement et programmation

Fixez le réservoir de nettoyage avancé à eau/à sec au bas du robot. Insérez les languettes du réservoir dans les fentes du réservoir de nettoyage avancé à eau/à sec au bas du robot, jusqu'à ce que vous entendiez un clic.



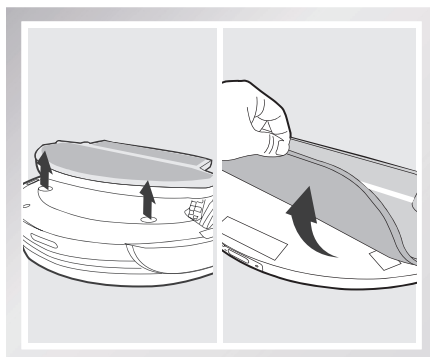
#### Mise en marche

Sélectionnez le mode de nettoyage désiré. DEEBOT balaye, soulève, aspire et nettoie la saleté et sèche la surface nettoyée dans le mode choisi.



#### Retrait

Après que le DEEBOT a terminé le nettoyage, retirez le réservoir de nettoyage avancé à eau/à sec du DEEBOT, videz l'eau résiduelle et retirez le chiffon de nettoyage à eau/à sec.



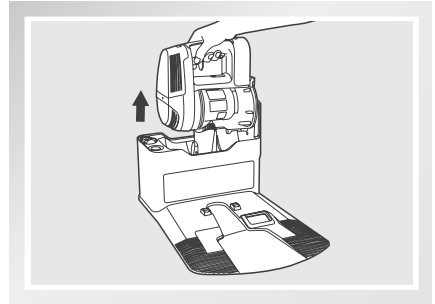
## 3. Fonctionnement et programmation

### 3.7 Aspirateur portatif détachable

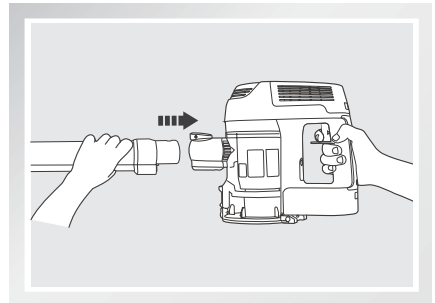
Le DEEBOT a un aspirateur portatif détachable avec des accessoires pour nettoyer bien plus que le plancher.

#### 1 Assembler l'aspirateur portatif

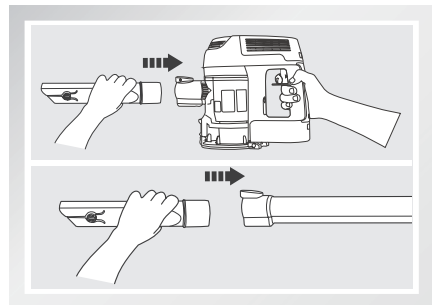
- Retirez l'aspirateur portatif de la station de recharge en tirant tout droit vers le haut.



- Le tube de rallonge peut être attaché pour ajouter une longueur variable.

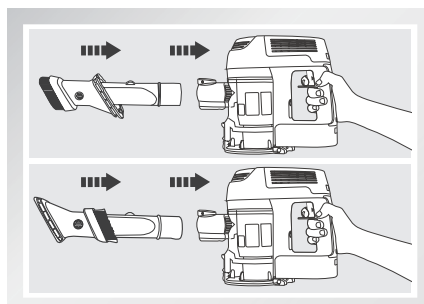


- Pour utiliser le suceur plat, attachez-le à l'aspirateur portatif ou au tube de rallonge.
- Pour retirer le tube de rallonge ou le suceur plat de l'aspirateur portatif, appuyez sur le bouton de déverrouillage du tube de rallonge/suceur plat sur l'aspirateur portatif et tirez sur l'accessoire.



### 3. Fonctionnement et programmation

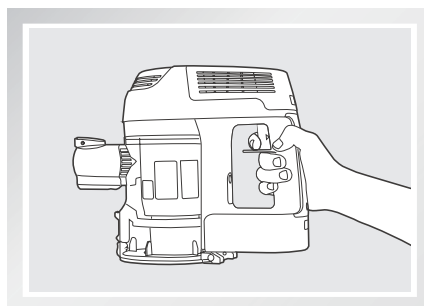
- Pour utiliser la brosse à tissus, attachez d'abord une des deux extrémités au suceur plat.
- Pour retirer la brosse à tissus, appuyez sur le bouton de déverrouillage de la brosse à tissus et retirez l'accessoire.



Accessoire	Utilisation
Suceur plat	Nettoie les petites fissures, les coins, les plinthes, etc.
Brosse à tissus	Nettoie les surfaces souples, comme les sofas, les coussins, les rideaux, etc.

#### 2 Mise en marche et mise à l'arrêt

- Appuyez et maintenez le bouton d'alimentation de l'aspirateur portatif pour démarrer, ou relâchez le bouton d'alimentation pour arrêter l'aspirateur portatif.



## 3. Fonctionnement et programmation

### 3.8 Rapport vocal

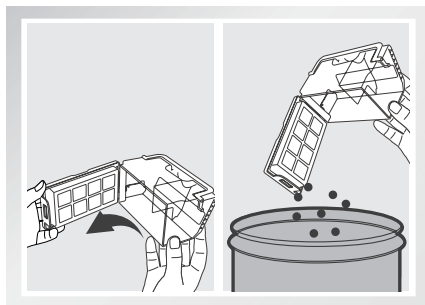
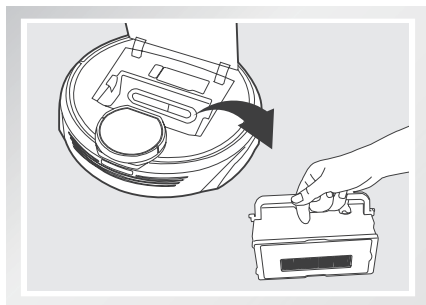
No	Rapport vocal	Situation ou solution
1	Mon heure de nettoyage est programmée.	L'heure du nettoyage est programmée.
2	Mon heure de nettoyage est annulée.	L'heure du nettoyage est annulée.
3	Ma roue motrice est suspendue.	Placez le robot sur une surface plane afin que la roue motrice puisse avoir de la traction.
4	Ma roue motrice est coincée.	La roue motrice du robot est bloquée par un plan incliné ou un seuil de porte. Déplacez manuellement le robot.
5	Je suis bloqué.	Le DEEBOT est bloqué par un obstacle au sol. Déplacez le robot manuellement ou retirez l'obstacle.
6	Mon récipient à poussière est plein.	Le récipient à poussière est plein, absent ou n'est pas installé correctement. Installez ou réinstallez le récipient à poussière et assurez-vous qu'il est bien en place.
7	Ma brosse est obstruée.	Vérifiez si des cheveux ou des débris sont emmêlés dans les brosses latérales ou dans la brosse principale, nettoyez-les de la manière décrite dans la section 4.
8	Ma batterie est faible.	Le DEEBOT n'a pas repéré la station de charge. Placez le DEEBOT sur la station de charge manuellement.
9	Mon système de navigation a mené à une erreur.	Il y a un problème avec le capteur de distance au laser. Communiquer avec le service à la clientèle.
10	Je suis connecté au réseau Wi-Fi.	Le DEEBOT est connecté au réseau Wi-Fi à domicile.
11	L'heure est synchronisée.	L'heure du DEEBOT a été synchronisée avec succès avec celle de votre téléphone intelligent.
12	Échec de la connexion Wi-Fi.	Le DEEBOT n'a pas été en mesure de se connecter au réseau Wi-Fi.
13	Le nettoyage est terminé.	Le DEEBOT a terminé son cycle de nettoyage.
14	Je procède à l'analyse. Veuillez patienter.	Le DEEBOT analyse l'environnement. Veuillez patienter.
15	La cartographie est en cours de chargement. Veuillez patienter.	Le DEEBOT est en cours d'analyse et est en train de générer la cartographie. Veuillez patienter.
16	La cartographie est terminée.	Le DEEBOT a généré la cartographie.

## 4. Entretien

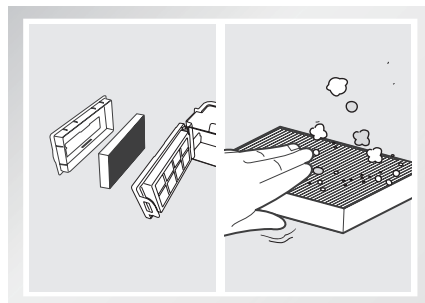
\* Avant d'effectuer un nettoyage et un entretien sur le DEEBOT, éteignez-le et débranchez la station de charge.

### 4.1 Récipient à poussière et filtres

Ouvrez le couvercle supérieur du robot et retirez le récipient à poussière. Déverrouillez le couvercle du récipient à poussière et videz-le.

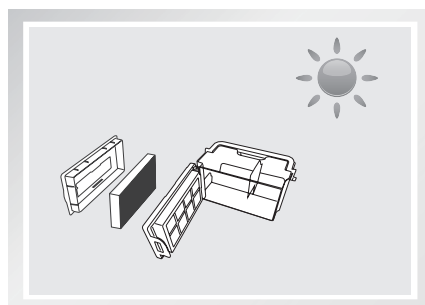
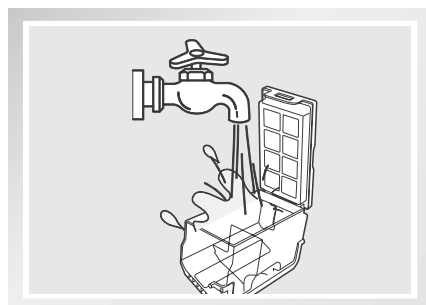


Retirez les filtres. Tapotez le filtre à haute efficacité jusqu'à ce qu'il soit propre. Ne rincez pas le filtre à haute efficacité sous l'eau.



Rincez le récipient à poussière et le filet de filtre sous l'eau, jusqu'à ce qu'ils soient propres.

Asséchez complètement le récipient à poussière et le filet de filtre avant de les réinstaller.



## 4. Entretien

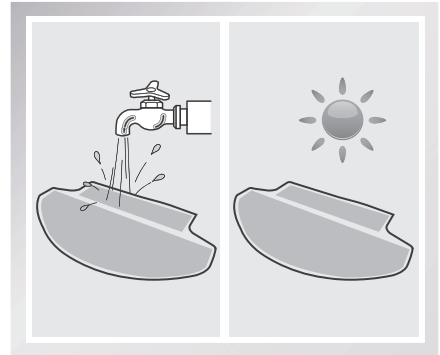
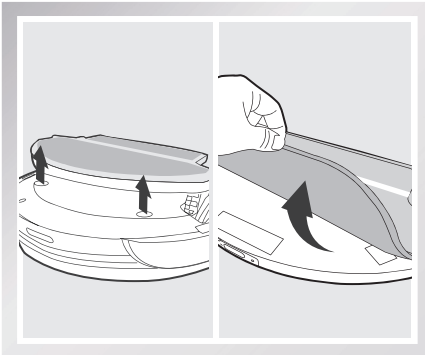
### 4.2 Chiffon de nettoyage avancé à eau/à sec, réservoir de nettoyage avancé à eau/à sec

#### Chiffon de nettoyage avancé à eau/à sec

Si le système de nettoyage a été utilisé, retirez le réservoir de nettoyage avancé à eau/à sec au bas du DEEBOT et retirez le chiffon de nettoyage du réservoir avancé de nettoyage à eau/à sec.

Videz toute l'eau résiduelle du réservoir de nettoyage avancé à eau/à sec.

Lavez le chiffon de nettoyage à eau/à sec à la main ou à la machine et faites-le sécher à plat.

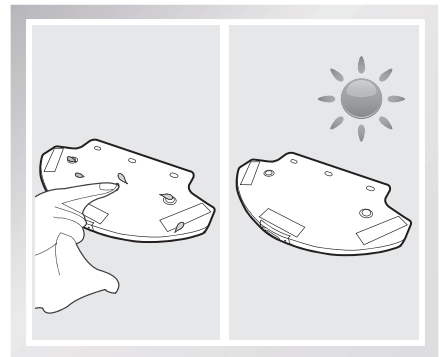
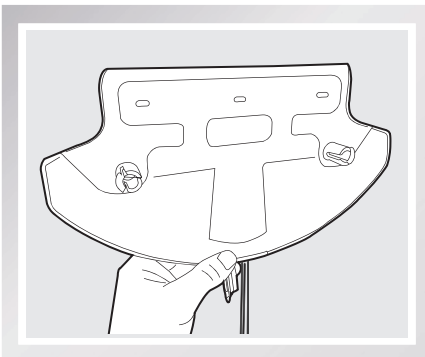


#### Réservoir de nettoyage avancé à eau/à sec

Si le système de nettoyage a été utilisé, retirez le réservoir de nettoyage à eau/à sec au bas du DEEBOT.

Videz toute l'eau résiduelle du réservoir de nettoyage avancé à eau/à sec et laissez-le sécher.

Essuyez l'extérieur du réservoir de nettoyage avancé à eau/à sec avec un chiffon sec.



## 4. Entretien

### 4.3 Brosse principale et brosses latérales

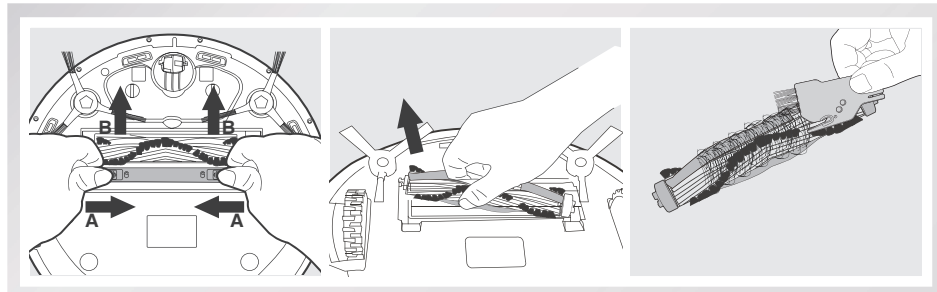
\* Un outil de nettoyage multifonction est fourni pour faciliter l'entretien. Manipulez avec soin, car cet outil de nettoyage a des bords coupants.

#### Brosse principale

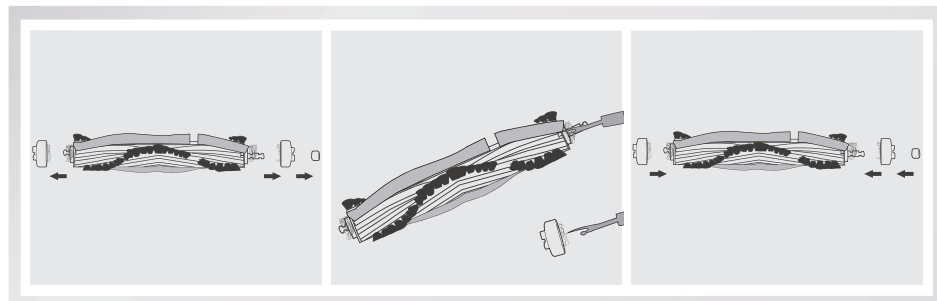
Retournez le robot. Appuyez sur les deux boutons sous la brosse principale, vers le centre du robot. Retirez le couvercle de la brosse principale.

Retirez la brosse principale.

Utilisez l'outil de nettoyage multifonction pour couper et retirer les cheveux emmêlés autour de la brosse principale.

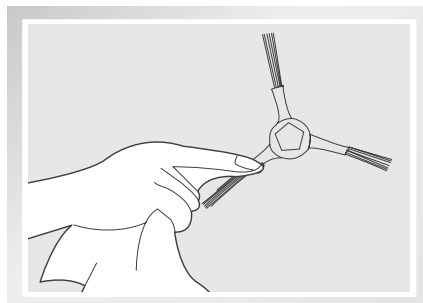


Tirez sur l'écrou de serrage en plastique à l'extrémité de la brosse principale. Retirez les bouchons en plastique à chaque extrémité. Retirez tous les cheveux et les débris aux deux extrémités de la brosse principale ainsi qu'à l'intérieur des bouchons en plastique.



#### Brosses latérales

Retirez les brosses latérales. Essuyez les brosses latérales et leurs fentes avec un chiffon sec.

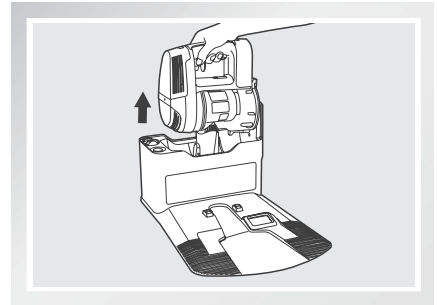


### 4.4 Aspirateur portatif

\* Pour un fonctionnement optimal d'aspiration, veuillez vider l'aspirateur portatif régulièrement et toujours avant que le niveau de poussière n'atteigne la ligne MAX.

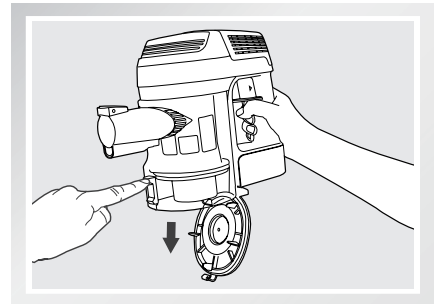
#### 1 Retirer l'aspirateur portatif

- Retirez l'aspirateur portatif de la station de recharge en tirant tout droit vers le haut.



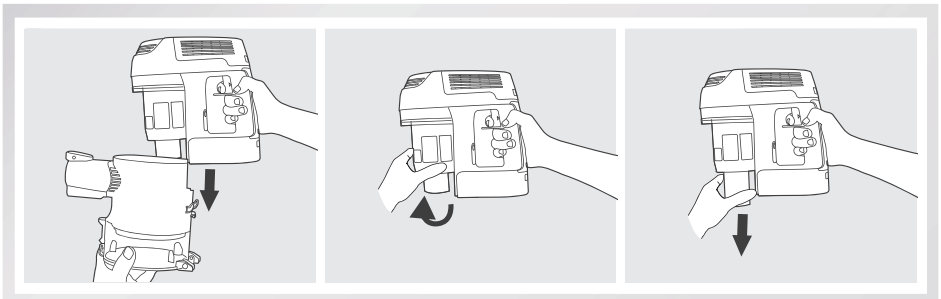
#### 2 Vider la poussière

- Appuyez sur le bouton de déverrouillage du couvercle du contenant de poussière pour relâcher le couvercle du contenant de poussière. Videz la poussière dans le contenant.



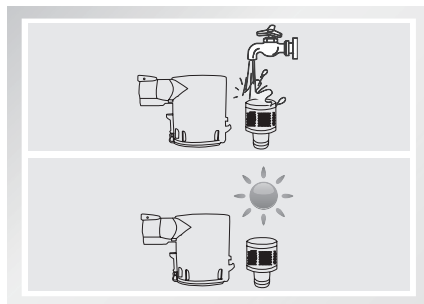
#### 3 Nettoyer le contenant de poussière transparent et le filtre

- Fermez le couvercle du contenant de poussière. Appuyez sur le bouton de déverrouillage du contenant de poussière pour retirer le contenant de poussière transparent. Tournez le filet du filtre du contenant de poussière et retirez-le de l'aspirateur portatif.



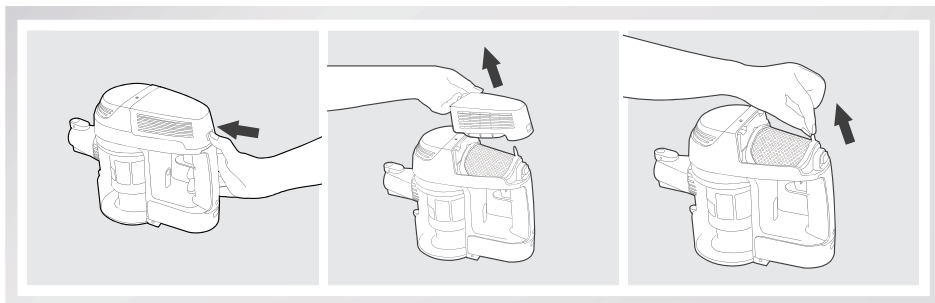
## 4. Entretien

- Rincez le contenant à poussière transparent et le filet du filtre sous l'eau.
- Faites sécher le contenant à poussière transparent et le filet du filtre complètement avant de les réinstaller.

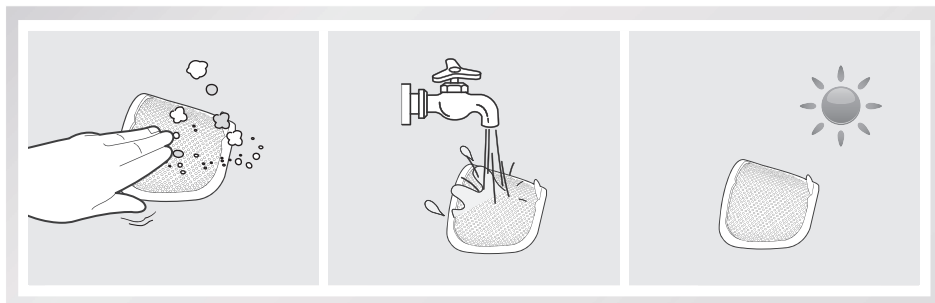


### 4 Nettoyer le filtre de la sortie d'air

- Appuyez sur le bouton de déverrouillage du couvercle de la sortie d'air pour retirer le couvercle de la sortie d'air. Retirez le filtre de la sortie d'air.



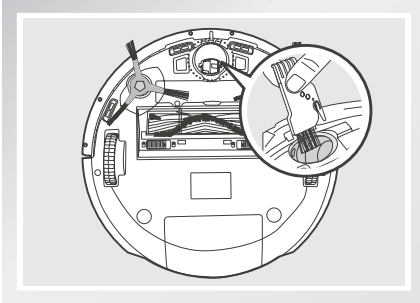
- Tapotez le filtre jusqu'à ce qu'il soit propre. Si nécessaire, rincez le filtre sous l'eau et faites-le sécher complètement avant de le réinstaller.



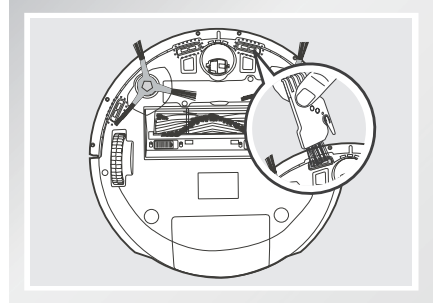
## 4. Entretien

### 4.5 Autres composants

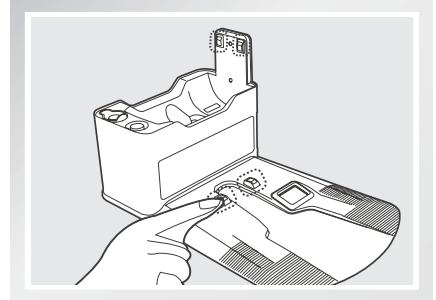
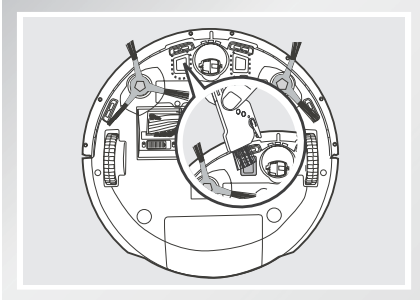
Utilisez l'outil de nettoyage multifonction pour couper et retirer les cheveux emmêlés autour de la roue universelle.



Essuyez les capteurs anti-chute avec la brosse ou le côté feutré de l'outil de nettoyage multifonction afin qu'ils conservent leur efficacité.

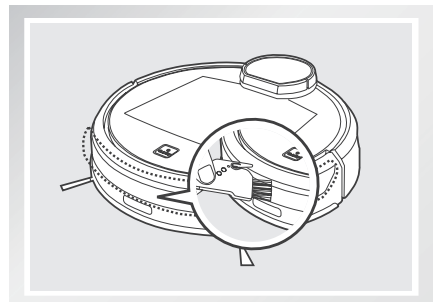


Essuyez les contacts et les broches de la station de charge avec la brosse ou le côté feutré de l'outil de nettoyage multifonction afin qu'ils conservent leur efficacité.



\* Évitez de toucher les contacts et les broches de la station de charge avec les mains mouillées ou un linge humide.

Essuyez la barre-tampon avec la brosse de l'outil de nettoyage multifonction afin que les capteurs anticollision conservent leur efficacité.



## 4. Entretien

### 4.6 Entretien régulier

Pour que le DEEBOT conserve des performances optimales, effectuez l'entretien et le remplacement en respectant les fréquences suivantes. Un outil de nettoyage multifonction est fourni pour faciliter l'entretien. Manipulez avec soin, car cet outil de nettoyage a des bords coupants.

Pièce du robot	Fréquence d'entretien	Fréquence de remplacement
Chiffon de nettoyage	Après chaque utilisation	Tous les 50 nettoyages
Réservoir de nettoyage avancé à eau/à sec Contenant de poussière transparent	Après chaque utilisation	/
Filtre à éponge et filtre à haute efficacité	Une fois par semaine (deux fois par semaine avec des animaux dans la maison)	Tous les 4 à 6 mois
Brosse latérale	Une fois toutes les 2 semaines	Tous les 3 à 6 mois
Brosse principale	Une fois par semaine	Tous les 6 à 12 mois
Récipient à poussière Roue universelle Capteurs anti-chute Points de contact de la charge Broches de la station de charge	Une fois par semaine	/

Remarque : ECOVACS fabrique différentes pièces et assemblages de remplacement. Communiquer avec le service à la clientèle pour davantage d'informations sur les pièces de remplacement.

## 5. Dépannage

Veillez utiliser ce tableau pour résoudre les problèmes les plus courants en utilisant DEEBOT.

No	Mauvais fonctionnement	Causes possibles	Solutions
1	DEEBOT ne charge pas.	DEEBOT n'est pas allumé.	Allumez DEEBOT.
		DEEBOT n'a pas pu se connecter à la station de charge.	Assurez-vous que les points de contact du robot sont connectés aux broches de la station de charge. Vous pouvez déplacer manuellement le robot, si nécessaire, pour que la connexion se fasse.
		La station de charge est débranchée alors que DEEBOT est allumé, causant ainsi une surconsommation de la batterie.	Branchez la station de charge et assurez-vous que DEEBOT est allumé. Laissez le DEEBOT sur la station de charge pour vous assurer que la batterie est pleine en tout temps, prête au travail.
		La batterie est entièrement déchargée.	Réactivez la batterie. Mettez SOUS TENSION (ON). Placez manuellement DEEBOT sur la station de charge, retirez-le après 3 minutes de charge; répétez 3 fois, puis faites charger normalement.
2	DEEBOT est en difficulté pendant le travail et s'arrête.	DEEBOT est bloqué par quelque chose sur le plancher (cordon électrique, bas de rideau, franges de carpepe, etc.).	DEEBOT tentera par divers moyens de se sortir du problème. S'il n'y arrive pas, retirez manuellement l'obstacle, placez le DEEBOT à l'endroit d'origine et redémarrez-le.
3	DEEBOT retourne à la station de charge avant la fin du nettoyage.	Lorsque la batterie s'affaiblit, DEEBOT se place automatiquement en mode de retour au chargeur, et retourne lui-même à la station de charge.	C'est normal. Aucune solution n'est nécessaire.
		Le temps de travail varie selon la surface du plancher, la complexité de la pièce et le mode de nettoyage sélectionné.	C'est normal. Aucune solution n'est nécessaire.

## 5. Dépannage

No	Mauvais fonctionnement	Causes possibles	Solutions
4	Le DEEBOT ne procède pas automatiquement au nettoyage au moment programmé.	L'heure de nettoyage programmée est annulée.	Programmez un temps de nettoyage, comme décrit à la section 3.4.
		La fonction de nettoyage continu est activée. Le DEEBOT vient de terminer le nettoyage de la région de nettoyage programmée.	C'est normal. Aucune solution n'est nécessaire.
		DEEBOT est éteint.	Allumez DEEBOT.
		La batterie du robot est faible ou le robot ne se trouve pas dans la station de charge.	Laissez DEEBOT sous tension et sur la station de charge pour vous assurer que la batterie est pleine en tout temps, prête au travail.
		Les composants du DEEBOT sont bloqués par des débris.	Éteignez DEEBOT, nettoyez le récipient à poussière et retournez le robot. Nettoyez les brosses latérales et la brosse principale comme il est décrit à la section 4.
5	Le DEEBOT n'est pas en mesure de se connecter au réseau Wi-Fi à domicile.	Le nom d'utilisateur ou le mot de passe du réseau Wi-Fi est erroné.	Entrez le bon nom d'utilisateur et le bon mot de passe.
		Le DEEBOT ne se trouve pas dans la portée de votre réseau Wi-Fi résidentiel.	Assurez-vous que le DEEBOT se trouve dans la portée de votre réseau Wi-Fi résidentiel.
		La configuration réseau a été lancée avant que le DEEBOT soit prêt.	Activez l'alimentation. Appuyez sur le bouton de réinitialisation au moyen d'une aiguille. Le DEEBOT est prêt pour la configuration réseau lorsqu'il émet de la musique et l'indicateur de réseau Wi-Fi clignote en continu.
		Le système d'exploitation de votre téléphone intelligent doit être mis à jour.	Mettez à jour le système d'exploitation de votre téléphone intelligent. L'application ECOVACS est compatible avec iOS 9.0 et les versions plus récentes et avec Android 4.0 et les versions plus récentes.

Live Smart. Enjoy Life.

¡Lo felicitamos por haber comprado el ECOVACS ROBOTICS DEEBOT! Esperamos que le brinde un servicio satisfactorio por muchos años. Confiamos en que la compra de su nuevo robot le ayudará a mantener su casa limpia y le dejará más tiempo libre de calidad para vivir con inteligencia y disfrutar la vida.

Antes de continuar, sugerimos que registre su producto nuevo en el sitio web de ECOVACS ROBOTICS en [www.ecovacsrobotics.com/registration/](http://www.ecovacsrobotics.com/registration/). También le sugerimos que anote su número de modelo, el número de serie, la fecha de la compra y que adjunte la boleta de compra a esta página, para conservarla.

# MODELO \_\_\_\_\_

# SERIE \_\_\_\_\_

FECHA DE COMPRA \_\_\_\_ / \_\_\_\_ / \_\_\_\_

En caso de que tenga algún problema para programar el robot o lograr que funcione correctamente, por favor llámenos antes de comunicarse o devolver el producto al lugar donde lo compró. Para obtener asistencia, llame al número gratuito 1-844-ECOVACS (1-844-326-8227) o al 1-330-994-1760 desde fuera de los Estados Unidos y Canadá.

***¡Gracias por elegir DEEBOT!***

# Contenidos

---

<b>1. Instrucciones importantes de seguridad</b> .....	71
<b>2. Contenidos del paquete y especificaciones técnicas</b> .....	76
2.1 Contenidos del paquete.....	76
2.2 Especificaciones.....	77
2.3 Diagrama del producto.....	77
<b>3. Funcionamiento y programación</b> .....	80
3.1 Sugerencias antes de limpiar .....	80
3.2 Inicio rápido .....	82
3.3 Selección del Modo de limpieza .....	86
3.4 Programación del robot.....	88
3.5 Configuraciones adicionales.....	89
3.6 Sistema de trapeado húmedo/seco avanzado opcional.....	90
3.7 Aspiradora portátil desmontable.....	92
3.8 Informe de voz .....	94
<b>4. Mantenimiento</b> .....	95
4.1 Depósito de polvo y filtros.....	95
4.2 Paño de limpieza húmedo/seco avanzado y depósito húmedo/seco avanzado.....	96
4.3 Cepillo principal y cepillos laterales.....	97
4.4 Aspiradora portátil.....	98
4.5 Otros componentes.....	100
4.6 Mantenimiento regular.....	101
<b>5. Solución de problemas</b> .....	102

## 1. Instrucciones importantes de seguridad

# INSTRUCCIONES IMPORTANTES DE SEGURIDAD:

**ADVERTENCIA** Lea todas las instrucciones y advertencias de seguridad. En caso de no seguir las advertencias e instrucciones pueden producirse descargas eléctricas, incendios o lesiones graves.

Al utilizar un aparato eléctrico, las precauciones básicas siempre deben ser seguidas, incluido lo siguiente:

**LEA TODAS LAS INSTRUCCIONES ANTES DE USAR ESTE APARATO.**

**ADVERTENCIA:** para reducir el riesgo de incendio, descarga eléctrica o lesiones:

- 1.No permita que se utilice como juguete. En caso de que el un niño manipule el aparato o de que este funcione cerca de un niño, se debe prestar especial atención.
- 2.Despeje el área a limpiar. Retire del piso los cables de corriente y objetos pequeños que pueden enredar el aparato. Coloque los flecos de la alfombra debajo de la base de la misma y levante del piso objetos como cortinas y manteles.
- 3.Si hay un desnivel en el área de limpieza debido a un escalón o escalera, debe utilizar el aparato de manera tal que el mismo pueda detectar el escalón sin caer al vacío. Puede ser necesario colocar una barrera física en el borde para evitar que la unidad se caiga. Asegúrese de que la barrera física no representa un peligro de tropiezo.
- 4.Utilice el aparato solamente tal y como se describe en este manual. Utilice solamente los accesorios recomendados o vendidos por el fabricante.
- 5.Asegúrese de que el voltaje de alimentación de energía coincide con el voltaje de energía marcado en el puerto de carga y el adaptador de CA.
- 6.No toque el enchufe de alimentación ni el aparato con las manos mojadas.

# 1. Instrucciones importantes de seguridad

---

7. Utilice solo la batería recargable, la base de carga y el adaptador de CA originales proporcionados con el aparato por el fabricante. Está prohibido el uso de baterías desechables. Para obtener información acerca de la batería, consulte la sección Especificaciones.
8. No utilice el aparato sin el depósito de polvo o los filtros instalados.
9. No utilice la aspiradora en un área con velas encendidas u objetos frágiles dispuestos en el piso que va a limpiar.
10. No utilice ni guarde el aparato en ambientes extremadamente calientes o fríos (debajo de  $-5\text{ }^{\circ}\text{C}/23\text{ }^{\circ}\text{F}$  o por encima de  $40\text{ }^{\circ}\text{C}/104\text{ }^{\circ}\text{F}$ ). Cargue el robot a una temperatura por encima de  $0\text{ }^{\circ}\text{C}/32\text{ }^{\circ}\text{F}$  y  $40\text{ }^{\circ}\text{C}/104\text{ }^{\circ}\text{F}$ .
11. Mantenga el cabello, la ropa suelta, las manos y todas las partes del cuerpo alejadas de las aperturas y de las partes móviles.
12. No utilice el aparato en una habitación donde duerme un bebé o un niño.
13. No utilice el aparato en superficies mojadas o en superficies con agua estancada. No utilice el aparato al aire libre. ÚNICAMENTE para uso en INTERIORES.
14. No permita que el aparato recoja objetos de gran tamaño como piedras, trozos grandes de papel u otros objetos que puedan obstruir el aparato.
15. No utilice el aparato para recoger materiales inflamables o combustibles como gasolina, tóner de impresoras o copiadoras ni en áreas donde puedan estar presentes estos elementos.
16. No utilice el aparato para recoger objetos que se estén quemando o soltando humo, tales como cigarrillos, cerillas, cenizas calientes ni nada que pueda provocar un incendio.
17. No coloque objetos en el orificio de admisión de polvo. No utilice el aparato si el orificio de admisión de polvo está bloqueado. Mantenga el orificio de admisión de polvo libre de polvo, pelusas, cabellos y cualquier cosa que pueda reducir el flujo de aire.
18. Tenga cuidado de no dañar el cable de alimentación. No utilice el cable de corriente para tirar o desplazar el aparato, la base de carga o el adaptador de CA, no utilice el cable como asa, no cierre una puerta con el cable en ella, no tire del cable por bordes o esquinas afilados. No pase el aparato en marcha por encima del cable. Mantenga el cable alejado de superficies calientes.

## 1. Instrucciones importantes de seguridad

---

19. Si el cable de corriente está dañado, deberá ser reemplazado por el fabricante o por su agente de servicio para evitar un riesgo.
20. No utilice el puerto de carga ni el adaptador de CA si están dañados.
21. No utilice con un cable de alimentación o enchufe dañado. No utilice el aparato, la base de carga o el adaptador de CA si no funcionan correctamente, se han caído, dañado o han entrado en contacto con agua. El cable debe ser reparado por el fabricante o su agente de servicio con el fin de evitar situaciones de peligro.
22. **DESCONECTE** el interruptor de energía antes de efectuar operaciones de limpieza y mantenimiento del aparato. Desactive todos los controles antes de desenchufar el aparato.
23. Se debe retirar el enchufe del receptáculo antes de efectuar operaciones de limpieza o mantenimiento en la base de carga o el adaptador de CA.
24. Retire el aparato de la base de carga o del adaptador de CA y **DESCONECTE** el interruptor de energía hacia el aparato antes de quitar la batería para desecharlo.
25. Antes de desechar el aparato, debe quitar y desechar la batería de acuerdo con las leyes y disposiciones locales.
26. Deseche las baterías usadas de acuerdo con las leyes y reglamentos locales.
27. No incinere el aparato incluso si presenta un daño grave. Las baterías pueden explotar y provocar un incendio.
28. Cuando no utilice la base de carga o el adaptador de CA durante un período de tiempo prolongado, desenchúfelos.
29. El aparato debe ser utilizado de acuerdo con las instrucciones de este Manual de instrucciones. ECOVACS ROBOTICS no se hace responsable los daños o lesiones causados por el uso indebido del aparato.

**30. ADVERTENCIA:** Para efectos de carga de la batería, utilice solamente las unidades de alimentación portátiles CH1459C y EA10952E proporcionadas con este aparato.

31. Evite un arranque accidental. Asegúrese de que el interruptor está en la posición de apagado antes de conectar a la batería, recoger o transportar el aparato. Transportar el aparato con el dedo en el interruptor o sobre el aparato energizante con el interruptor puede conducir a accidentes.

# 1. Instrucciones importantes de seguridad

---

32. Cuando no esté utilizando la batería, manténgala alejada de los objetos metálicos, como sujetapapeles, monedas, llaves, clavos, tornillos u otros objetos pequeños de metal, que puedan hacer una conexión entre un terminal y otro. Producir cortocircuitos en los terminales de la batería puede causar quemaduras o incendios.
33. Bajo condiciones indebidas, la batería puede expulsar líquido; evite el contacto con este. En caso de que se produzca contacto accidental, enjuague con agua. Adicionalmente, si el líquido entra en contacto con los ojos, busque atención médica. El líquido expulsado por la batería puede causar irritación en la piel o quemaduras.
34. No utilice una batería o un aparato que esté dañado ni utilice una batería o un aparato que esté dañado o cuyo comportamiento implique un riesgo de incendio, explosión o lesiones.
35. No exponga la batería o el aparato al fuego o a temperaturas excesivas. La exposición al fuego o a temperaturas superiores a 130 °C puede causar una explosión. La temperatura de 130 °C es equivalente a la temperatura de 265 °F.
36. Siga todas las instrucciones de carga y no cargue la batería si la temperatura excede del rango de temperatura especificada en las instrucciones. Cargar el aparato de manera incorrecta o a temperaturas que estén fuera del rango especificado puede dañar la batería y aumentar el riesgo de incendio.
37. Haga que la mantención la realice una persona calificada para realizar reparaciones y que utilice solamente piezas de reemplazo idénticas a las originales. Esto asegurará la mantención de la seguridad del producto.
38. No modifique ni intente reparar el aparato o la batería (según corresponda) excepto lo indicado en las instrucciones de uso y cuidado.
39. Desconecte la batería del aparato antes de hacer cualquier ajuste. Estas medidas de seguridad preventivas reducen el riesgo de arrancar el aparato accidentalmente.
40. Coloque los cables de otros dispositivos fuera de la zona que se va a limpiar.
41. No utilice la aspiradora en una habitación donde hayan velas encendidas sobre muebles que le aspiradora pueda golpear o chocar accidentalmente.
42. No permita que los niños se sienten en el aparato.

## 1. Instrucciones importantes de seguridad

---

43. Tenga especial cuidado cuando limpie las escaleras con la aspiradora portátil.
44. El robot contiene baterías que solo pueden ser reemplazadas por personas calificadas. Para sustituir la batería, comuníquese con Servicio al cliente.
45. Si el robot estará en desuso por un período de tiempo prolongado, cargue la batería del robot por completo y APAGUE el robot para almacenarlo y desconecte el puerto de carga.

## GUARDE ESTAS INSTRUCCIONES

### Solamente para uso doméstico.

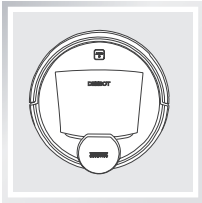
**Este dispositivo cumple con las normas de radiación del DHHS, título 21 del CFR, capítulo 1, subcapítulo J.**

Para desactivar el módulo Wi-Fi en el robot DEEBOT, Encienda el DEEBOT. Ponga el robot en el puerto de carga y asegúrese de que los contactos de carga de DEEBOT y los electrodos del puerto de carga se conecten. Mantenga presionado el botón de modo AUTO en el robot durante 20 segundos hasta que DEEBOT emita 3 pitidos.

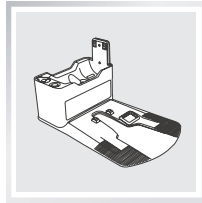
Para activar el módulo Wi-Fi en el robot DEEBOT, apague el DEEBOT y encienda el robot. El módulo Wi-Fi se activa cuando el DEEBOT se reinicia.

## 2. Contenidos del paquete y especificaciones técnicas

### 2.1 Contenidos del paquete



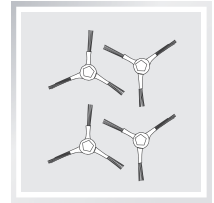
Robot



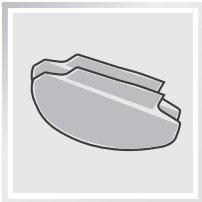
Puerto de carga (usar con adaptador de corriente)



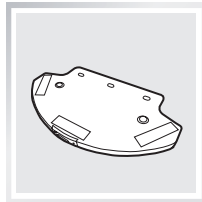
Manual de instrucciones



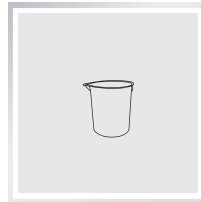
(4) Cepillos laterales



(2) Paños de limpieza húmedos/secos avanzados



Depósito húmedo/ seco avanzado



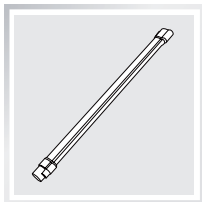
Taza medidora



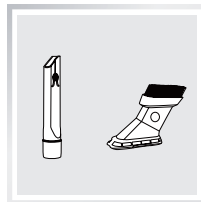
Guía de inicio rápido



Aspiradora portátil



Vara de extensión



Boquilla para rincones+cepillo de tela

## 2. Contenidos del paquete y especificaciones técnicas

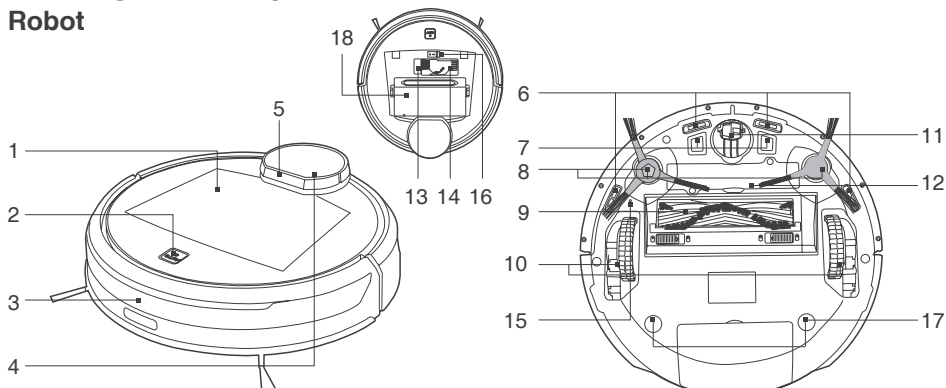
### 2.2 Especificaciones

<b>Modelo</b>	<b>DR98</b>		
Voltaje de funcionamiento	14.8V DC	Potencia nominal	50W
Modelo de batería	1355-10056-000-00-H001	Especificaciones de la batería	Litio 14.48V DC, 2850mAh
<b>Modelo del puerto de carga</b>	<b>CH1459C</b>		
Voltaje nominal de entrada	24V DC	Voltaje nominal de entrada	24V DC
Corriente nominal de salida	3.5A	Potencia nominal	90W
<b>Aspiradora portátil</b>	<b>ZJ1458</b>		
Voltaje nominal de entrada	18.5V DC	Potencia nominal	130W
<b>Modelo de la batería de la aspiradora portátil</b>	5ISR18650-2000	Especificaciones de la batería de la aspiradora portátil	Litio, 18,5 V, 2000 mAh
<b>Láser</b>	<b>Potencia máxima: 2,5 mW</b> <b>Frecuencia: 1,8 KHz</b> <b>Velocidad de rotación: 300±5 círculos/min.</b>		
<b>Adaptador de corriente: EA10952E</b>			
Entrada: 100-240V CA 50-60 Hz 2,5 A	Salida: 24 V CC 3,75 A		

\* Las especificaciones técnicas y de diseño pueden cambiar en el curso de la constante mejora del producto.

### 2.3 Diagrama del producto

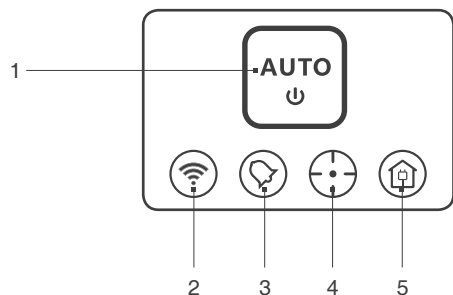
#### Robot



- |  |                             |   |
|--|-----------------------------|---|
| 1. Cubierta superior                       | 7. Contactos de carga       | 14. Herramienta de limpieza multifuncional    |
| 2. Botón de modalidad automática           | 8. Cepillos laterales       | 15. Botón RESETEAR                            |
| 3. Sensores anticollisión y carril de tope | 9. Cepillo principal        | 16. Interruptor de encendido                  |
| 4. LDS (sensor de distancia láser)         | 10. Ruedas motrices         | 17. Ranuras del depósito húmedo/seco avanzado |
| 5. Carril de tope con LDS                  | 11. Rueda universal         | 18. Depósito de polvo                         |
| 6. Sensores anticaída                      | 12. Batería con tornillos   |   |
|  | 13. Puerto de actualización |   |

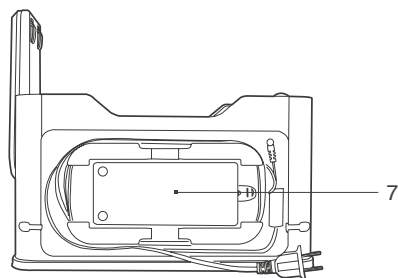
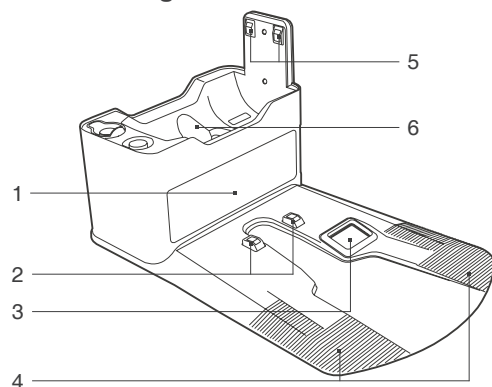
## 2. Contenidos del paquete y especificaciones técnicas

### Panel de control



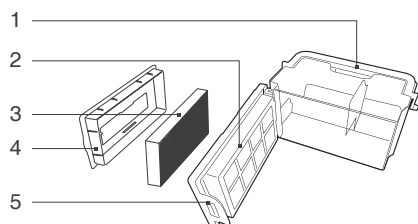
1. Botón de modalidad automática
2. Indicador de Wi-Fi
3. Indicador de limpieza programada
4. Indicador de Modo spot
5. Indicador del Modo retorno al cargador

### Base de carga



1. Generadores de señal infrarroja
2. Electrodo del puerto de carga para el robot
3. Orificio de aspiración con vaciado automático
4. Bandas antideslizantes
5. Electrodo del puerto de carga para la aspiradora portátil
6. Canal de transferencia de polvo de vaciado automático
7. Adaptador de corriente portátil

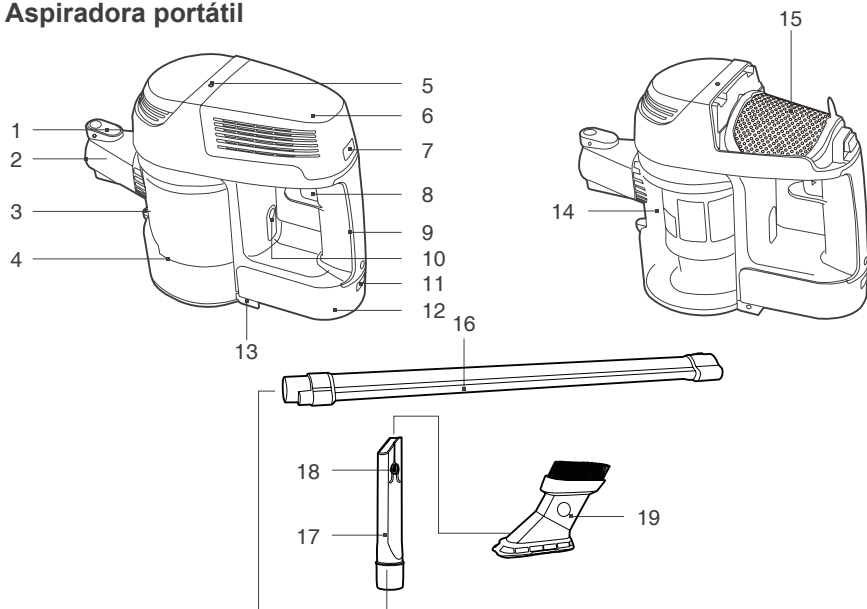
### Depósito de polvo



1. Mango del depósito de polvo
2. Filtro de red
3. Filtro de alta eficiencia
4. Tapa del depósito de polvo
5. Cierre del depósito de polvo

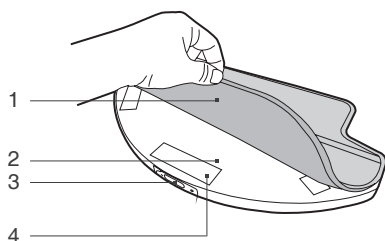
## 2. Contenidos del paquete y especificaciones técnicas

### Aspiradora portátil



- |  |   |
|--|---|
| 1. Barra de extensión/botón de liberación de la boquilla para rincones | 10. Botón de liberación del contenedor de polvo                 |
| 2. Orificio de aspiración con vaciado automático                       | 11. Botón de liberación de la batería de la aspiradora portátil |
| 3. Botón de liberación de la cubierta del contenedor de polvo          | 12. Batería de la aspiradora portátil                           |
| 4. Contenedor transparente de polvo                                    | 13. Contactos de carga de la aspiradora portátil                |
| 5. Indicador de alimentación   | 14. Red del filtro del contenedor de polvo                      |
| 6. Cubierta de la salida de aire                                       | 15. Filtro de la salida de aire                                 |
| 7. Botón de liberación de la cubierta de la salida de aire             | 16. Vara de extensión   |
| 8. Botón de encendido de la aspiradora portátil                        | 17. Boquilla para rincones                                      |
| 9. Mango   | 18. Botón de liberación del cepillo de tela                     |
|  | 19. Cepillo de tela   |

### Paño de limpieza húmedo/seco avanzado y depósito húmedo/seco avanzado

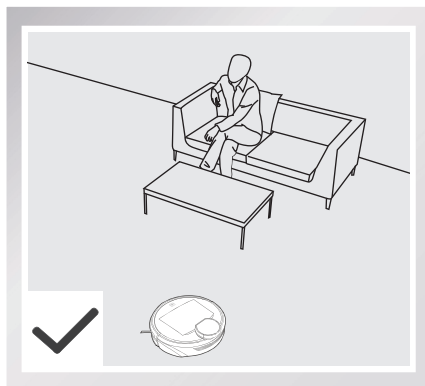


- |  |
|--|
| 1. Paño de limpieza húmedo/seco avanzado |
| 2. Depósito húmedo/seco avanzado         |
| 3. Entrada de agua                       |
| 4. Velcro                                |

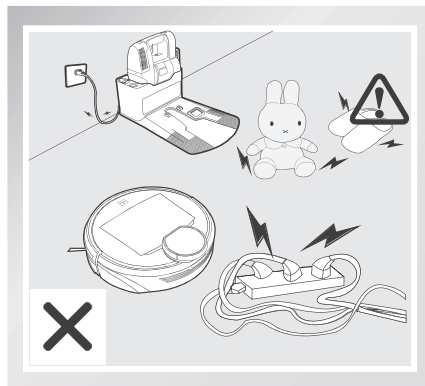
## 3. Funcionamiento y programación

### 3.1 Sugerencias antes de limpiar

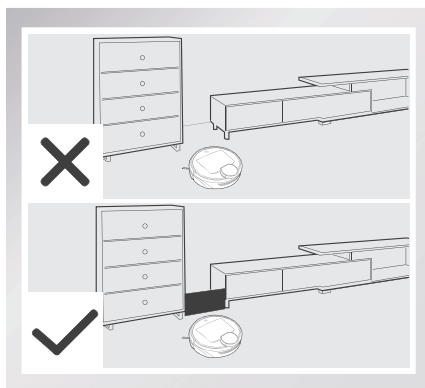
El DEEBOT utiliza la tecnología SMART NAVI (sistema exclusivo de mapeo y exploración láser) para explorar y generar un mapa del entorno del hogar. Antes de hacer funcionar el DEEBOT, tómese unos minutos para revisar el área a limpiar y retire cualquier obstáculo que pueda interferir con la limpieza.



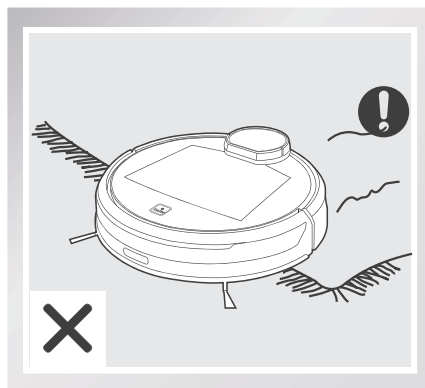
Supervise al DEEBOT durante su primera limpieza y ayude en caso de que haya un problema.



Quite del suelo los cables de corriente y objetos pequeños que podrían enredar al producto.

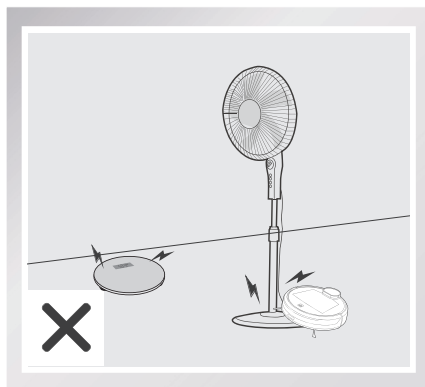


Si hay una entrada estrecha a un espacio entre los muebles, coloque una barrera física para que la unidad se detenga y no entre en esa área.

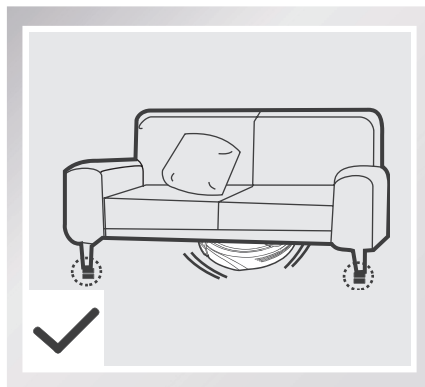


Este producto no está diseñado para utilizarlo en alfombras de pelo largo. Antes de utilizar el producto cerca de una alfombra con bordes de flecos, doble los bordes de la alfombra bajo sí misma.

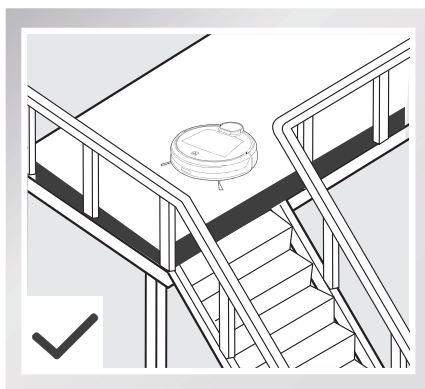
### 3. Funcionamiento y programación



Tenga presente que el DEEBOT se puede subir sobre objetos de menos de 1,8 cm (0,7") de altura. Si es posible, quite estos objetos.

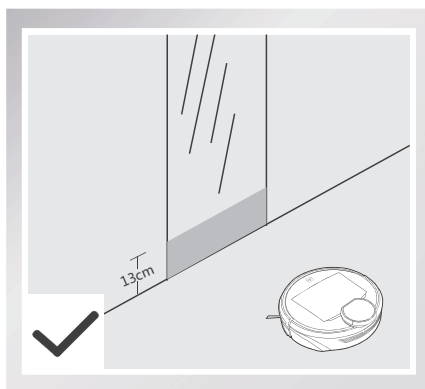


Tenga presente que el DEEBOT necesita un espacio mínimo de 11 cm (4,3") para limpiar debajo de muebles sin complicaciones.

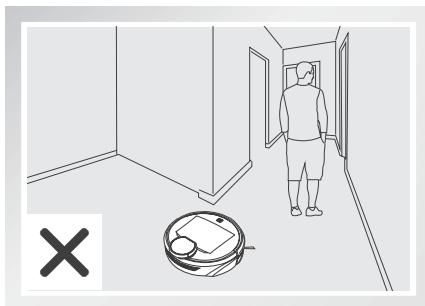


Si hay un escalón o una escalera en el área a limpiar, asegúrese de operar el DEEBOT para que sus sensores anticaída puedan detectar el desnivel. Puede ser necesario interponer una barrera física en la orilla del desnivel para impedir que la unidad caiga.

Cuando el DEEBOT esté limpiando, no permanezca en espacios estrechos, tales como pasillos, ya que es posible que el DEEBOT no logre identificar el área que debe limpiar.



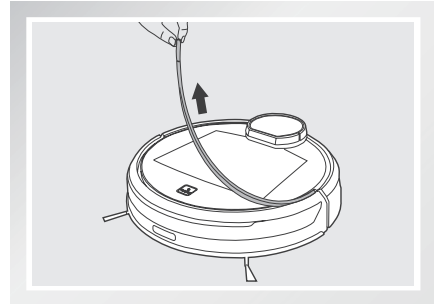
Cubra las superficies reflectantes de 13 cm (5,1") del piso.



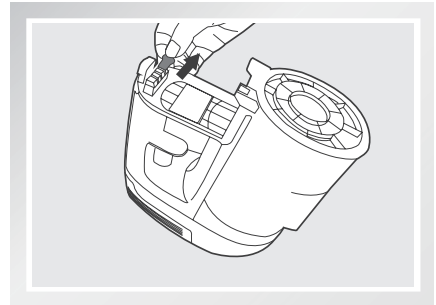
## 3. Funcionamiento y programación

### 3.2 Inicio rápido

- Quite la banda de protección del carril de tope del robot antes de utilizarlo.

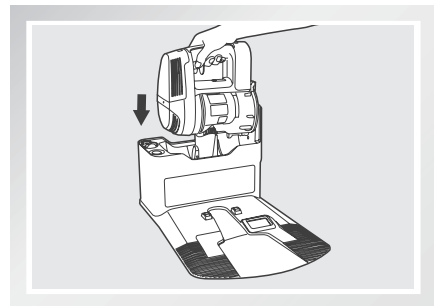


- Antes de utilizarlo por primera vez, quite el aislante colocado en la batería de la aspiradora portátil.



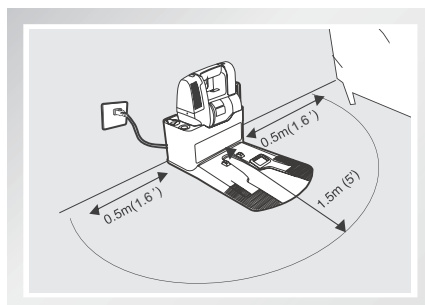
### 1 Ubicación del puerto de carga

- Inserte la aspiradora portátil en el puerto de carga y asegúrese de que esté firmemente asegurada en su lugar.



## 3. Funcionamiento y programación

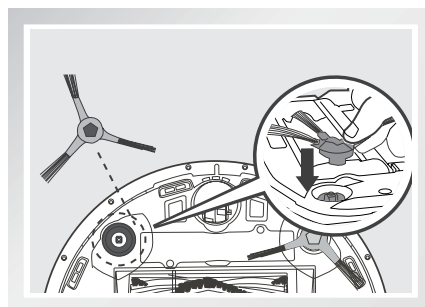
- Ponga el puerto de carga sobre una superficie a nivel de suelo, apoyado contra la pared, con la base perpendicular al piso. Mantenga un área inmediata de 1,5 m (5') frente al cargador y 0,5 m (1,6') a ambos costados libre de objetos y superficies reflectantes.
- Conecte el puerto de carga a la toma de corriente.



- \* La aspiradora portátil comienza a cargarse inmediatamente cuando se conecta el puerto de carga.
- \* No cambie la ubicación del puerto de carga después de que el DEEBOT explore el entorno. Si es necesario reubicar el puerto de carga, apague y encienda el DEEBOT para que vuelva a explorar el entorno.

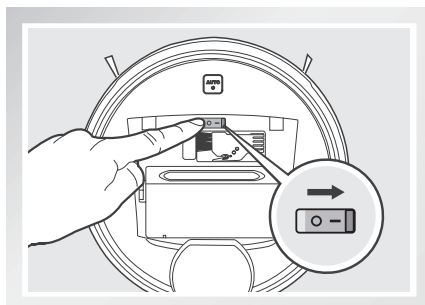
### 2 Instalación de los cepillos laterales

- Conecte los cepillos laterales a la parte inferior del DEEBOT. Para hacerlo, presione cada cepillo contra la ranura correspondiente según los colores hasta oír un clic.



### 3 Encendido

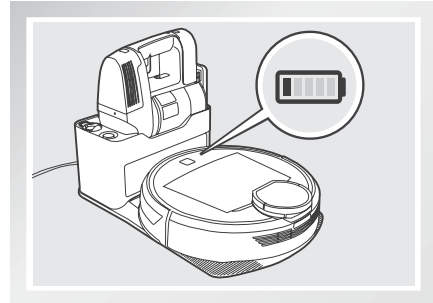
- Abra la cubierta superior. Mueva el interruptor de encendido a la posición " | ". El panel de control se ilumina, el DEEBOT toca una melodía y el botón Modo AUTO parpadea. El DEEBOT está encendido cuando el botón Modo AUTO permanece iluminado.



### 3. Funcionamiento y programación

#### 4 Carga del DEEBOT

- Ponga el DEEBOT en el puerto de carga, asegurándose de que los contactos de carga del DEEBOT y los electrodos del puerto de carga se conecten.

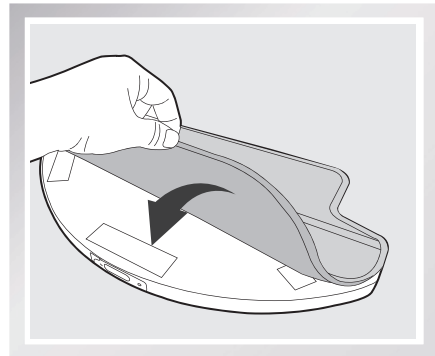


- \* Asegúrese de que el interruptor está encendido antes de realizar la carga. (La "O" indica que está APAGADO y la "I" indica que está ENCENDIDO).
- \* Cargue el DEEBOT por un mínimo de 4 horas antes del primer uso. El botón Modo AUTO parpadea durante la carga y se apaga cuando el DEEBOT está completamente cargado. Presione el botón de modo AUTO en el robot o cualquier botón en la pantalla de la aplicación para activar el robot.
- \* Retire el depósito húmedo/seco avanzado antes de cargar el DEEBOT.

#### 5 Conexión de un paño de limpieza, si se desea

- Para utilizar el sistema de trapeado húmedo/seco avanzado opcional, conecte el depósito húmedo/seco avanzado y un paño de limpieza húmedo/seco avanzado antes de su uso.

- \* Cuando utilice la función de trapeado, doble los bordes de las alfombras bajo sí mismas para que el DEEBOT las evite.
- \* Para obtener instrucciones completas, consulte la sección 3.6: Sistema avanzado opcional de trapeado húmedo/seco.

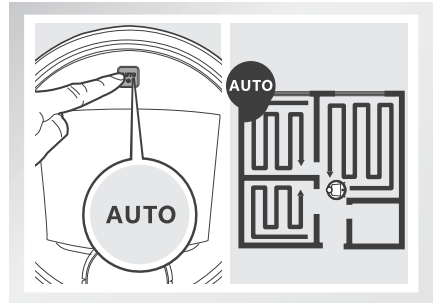


### 3. Funcionamiento y programación

#### 6 Inicio

- Presione el botón Modo AUTO en el DEEBOT. El DEEBOT se mueve por los alrededores para explorar el entorno y crear el mapa, luego comienza a trabajar en Modo de limpieza AUTO al mismo tiempo.

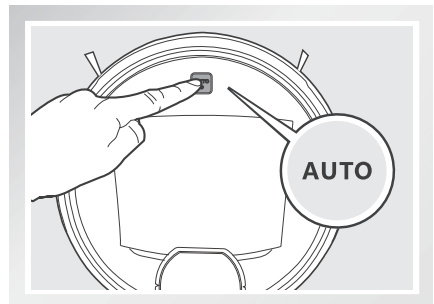
- \* El DEEBOT debe estar encendido para que realice la limpieza.
- \* Para seleccionar otro modo de limpieza, consulte la sección 3.3: Selección del modo de limpieza, para obtener más detalles.
- \* No mueva manualmente el robot cuando esté limpiando o cargándose.



#### 7 Pausa

- Pause el DEEBOT presionando el botón Modo AUTO en el robot.

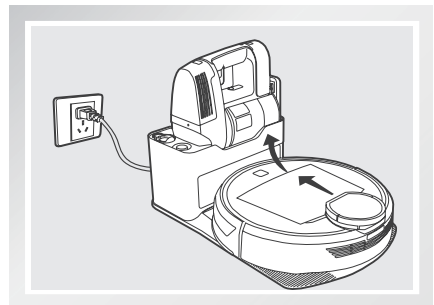
- \* El botón de modo AUTO en el panel de control del robot se apaga si el robot está en pausa durante más de 10 minutos. Presione el botón de modo AUTO en el robot o cualquier botón en la pantalla de la aplicación para activar el robot.



#### 8 Vaciado automático

- Cuando el DEEBOT termina de limpiar o cuando el nivel de carga de la batería está bajo, regresa al puerto de carga para cargarse. Una vez que el DEEBOT se posiciona con éxito sobre el puerto de carga, vacía automáticamente su propio depósito de polvo en la aspiradora portátil.

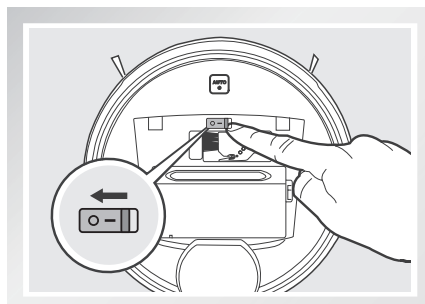
- \* El vaciado automático dura aproximadamente 20 segundos. No retire la aspiradora portátil de la base de carga durante este proceso para evitar fugas de polvo o daños.



## 3. Funcionamiento y programación

### 9 APAGADO

- Abra la cubierta superior del robot. Mueva el interruptor de encendido a la posición "O" para apagar el robot.




- \* Cuando el DEEBOT no se encuentre limpiando, se sugiere mantenerlo encendido y cargando.
- \* El DEEBOT elimina el mapa una vez que se apaga. Se sugiere mantener al DEEBOT encendido si este permanece en el mismo entorno doméstico.
- \* En caso de apagar el DEEBOT, para restaurar el mapa en el mismo hogar, enciéndalo y siga las instrucciones de la aplicación de ECOVACS.

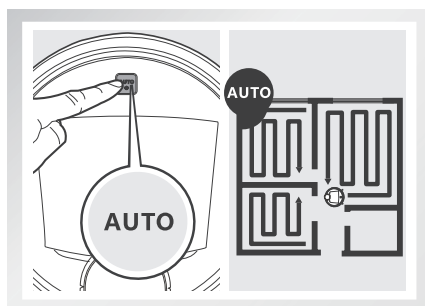
### 3.3 Selección del Modo de limpieza

El DEEBOT tiene diversos Modos de limpieza para elegir y limpiar de manera efectiva distintos tipos de pisos. Los modos de limpieza se seleccionan con la aplicación de ECOVACS o con el botón Modo AUTO en el panel de control del robot.

#### 1 Modo de limpieza AUTO

Este es el modo de uso más habitual. En el Modo de limpieza AUTO, el DEEBOT limpia en un patrón en línea recta hacia delante y hacia atrás.


- Para iniciar el Modo de limpieza AUTO, presione el botón Modo AUTO en el robot o  en la aplicación.



## 3. Funcionamiento y programación

### 2 Modo de limpieza Spot

Este modo se aplica para un área con alta concentración de polvo o suciedad. En el Modo de limpieza Spot, el DEEBOT se concentra en limpiar un área específica y se devuelve al puerto de carga una vez que completa la limpieza Spot.

- Para iniciar el Modo de limpieza Spot, presione  en la pantalla del mapa de la aplicación. El DEEBOT limpia el lugar seleccionado y un área de 1 m/3,2' alrededor del lugar.

### 3 Modo de limpieza de área

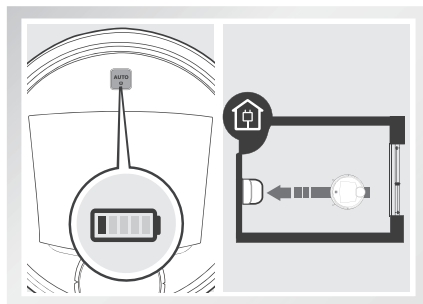
Después de que el DEEBOT explore y mapee el entorno, se pueden seleccionar las áreas específicas en el mapa para que se realice la limpieza con el Modo de limpieza de área. El Modo de limpieza de área solamente se puede seleccionar con la aplicación.

- Para establecer o descartar las áreas de limpieza, presione  en la pantalla del mapa de la aplicación.

\* El DEEBOT solo puede reconocer una habitación con puerta de 40 cm (1,3') a 160 cm (5,2') y con un perímetro de más de 8 m (26,2').

### 4 Modo retorno al cargador

- Cuando baja el nivel de carga de la batería o cuando el DEEBOT termina de limpiar, conmuta automáticamente al Modo retorno al cargador y vuelve al puerto de carga para cargarse.
- El DEEBOT también se puede enviar de regreso a la base de carga en cualquier momento mediante el botón Retorno al cargador en la pantalla de la aplicación.



\* Después de presionar el botón Modo de retorno al cargador en la pantalla principal de la aplicación, el DEEBOT continúa con la limpieza hasta que se aproxime al puerto de carga. Una vez que está cerca del puerto de carga, el DEEBOT reduce la potencia y suavemente se acopla para recargarse.

## 3. Funcionamiento y programación

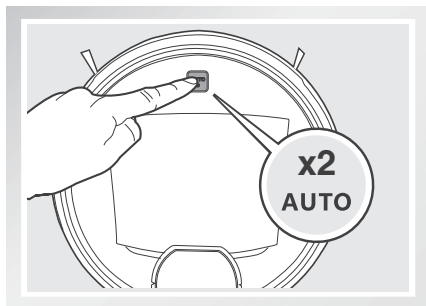
### 3.4 Programación del robot

El DEEBOT tiene una función de programación inteligente y de programación de horarios para programar las horas de limpieza. El DEEBOT se puede programar para limpiar automáticamente una vez por día a la misma hora con la función de programación inteligente a través del panel de control del robot. El DEEBOT también se puede programar semanalmente para limpiar una vez al día en momentos específicos con la función de programación de horarios a través de la aplicación. Todas las limpiezas programadas se realizan en Modo de limpieza AUTO o Modo de limpieza de área, cualquiera se puede activar en el momento de programar las limpiezas.

#### Programación de la hora de limpieza

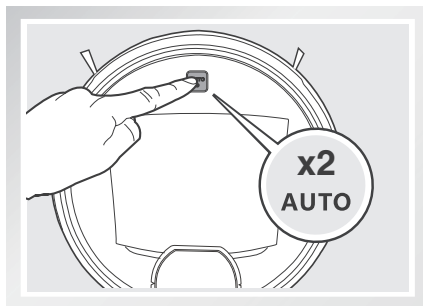
##### 1 Programación de la hora de limpieza con la función de programación inteligente

- El DEEBOT se puede programar para limpiar automáticamente una vez al día, en un momento determinado, incluso si no hay nadie en casa. Presione dos veces el botón Modo AUTO en el robot para establecer la hora actual como la hora de limpieza programada. La programación inteligente se establece correctamente cuando el robot genera un informe de voz. El DEEBOT limpia automáticamente todos los días a la hora de limpieza programada.



##### 2 Cancelación de la hora de limpieza con la función de programación inteligente

- Presione dos veces el botón Modo AUTO en el robot. La programación inteligente se cancela cuando el robot genera un informe de voz.



##### 3 Programación de la hora de limpieza con la función de programación de horarios

El DEEBOT se puede programar semanalmente para limpiar una vez al día en momentos específicos mediante la aplicación de ECOVACS.


Abra la aplicación de ECOVACS. Presione "..." en la esquina superior derecha de la pantalla principal de la aplicación. Establezca las nuevas limpiezas programadas y cancele las limpiezas programadas existentes en "Programación de horarios".


## 3. Funcionamiento y programación

### 3.5 Configuraciones adicionales

#### Barrera virtual

**Una barrera virtual impide que el DEEBOT realice la limpieza de un área específica.**

Para establecer una barrera virtual, presione  en la pantalla del mapa de la aplicación.

- \* El DEEBOT se puede dirigir manualmente hacia las áreas bloqueadas con  en la aplicación.
- \* Aunque el DEEBOT se coloque en el área bloqueada, este se devuelve al puerto de carga.

#### Función de limpieza continua con la opción no molestar

Cuando se activa la función de limpieza continua, una vez que el DEEBOT se carga completamente, este automáticamente se devuelve y continúa con la limpieza de las áreas que quedaron sin limpiar durante la última tarea de limpieza. El usuario puede establecer el Modo no molestar para impedir que el DEEBOT salga y así pueda continuar con la limpieza durante la hora establecida.

Para ver más opciones de ajustes, presione "..." en la esquina superior derecha de la pantalla principal de la aplicación. La revisión del registro de limpieza, el establecimiento de la función de limpieza continua, la programación de la hora de limpieza, el restablecimiento del mapa, el establecimiento del idioma del informe de voz y la actualización de firmware se encuentran en esta área.

## 3. Funcionamiento y programación

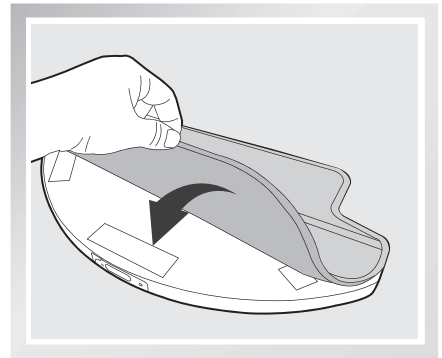
### 3.6 Sistema de trapeado húmedo/seco avanzado opcional

El DEEBOT cuenta con un sistema de trapeado opcional que utiliza un paño de limpieza húmedo/seco avanzado que se conecta a un depósito húmedo/seco avanzado. El paño de limpieza húmedo/seco avanzado automáticamente humedece la mopa y luego seca el piso para dejarlo impecable.

- \* No utilice el sistema de trapeado sobre alfombras.
- \* Cuando utilice al sistema de trapeado, doble los bordes de las alfombras bajo sí mismas para que el DEEBOT las evite.
- \* Cuando utilice el sistema de trapeado, no detenga al robot y permita que permanezca inmóvil. Esto evita que el depósito húmedo/seco avanzado deje agua en el piso.
- \* Retire el depósito húmedo/seco avanzado antes de cargar el DEEBOT.

#### 1 Conexión del paño de limpieza húmedo/seco avanzado

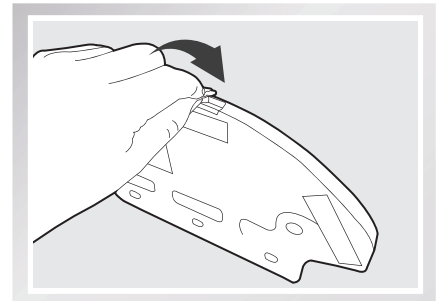
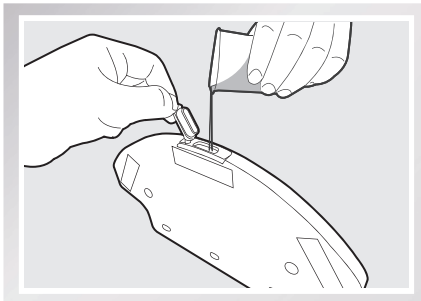
- Conecte un paño de limpieza húmedo/seco avanzado al depósito húmedo/seco avanzado.



#### 2 Agregue agua al depósito húmedo/seco avanzado

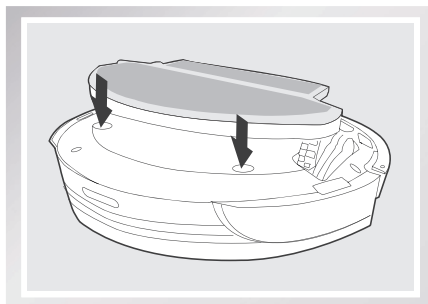
- \* Antes de agregar agua al depósito húmedo/seco avanzado, retírelo de la parte inferior del robot.

Llene de agua la taza para medir provista. Abra la pestaña de la entrada de agua en el depósito húmedo/seco avanzado y vierta lentamente el agua de la taza para medir. Cierre la pestaña de la entrada de agua.



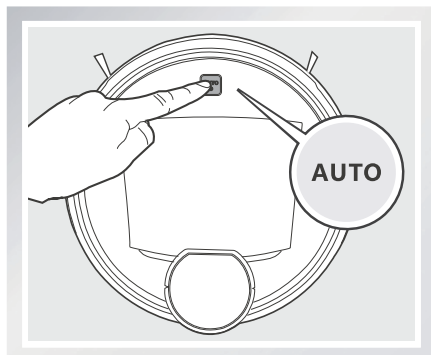
### 3. Funcionamiento y programación

Fije el depósito húmedo/seco avanzado en la parte inferior del robot. Inserte las pestañas del depósito húmedo/seco avanzado en las ranuras del depósito ubicado en la parte inferior del robot hasta que escuche un clic.



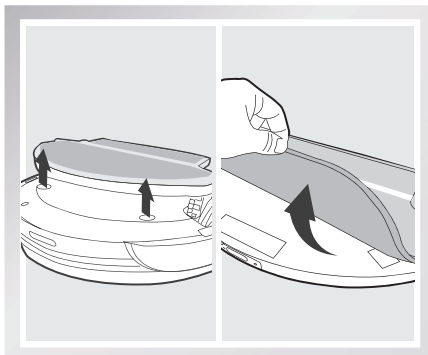
#### Inicio

Seleccione el Modo de limpieza deseado. El DEEBOT barre, levanta, aspira, pasa la mopa y seca en el modo seleccionado.



#### Extracción

Después de que el DEEBOT termine de limpiar, quite el depósito húmedo/seco avanzado del DEEBOT, saque cualquier resto de agua del depósito y quite el paño de limpieza húmedo/seco avanzado.



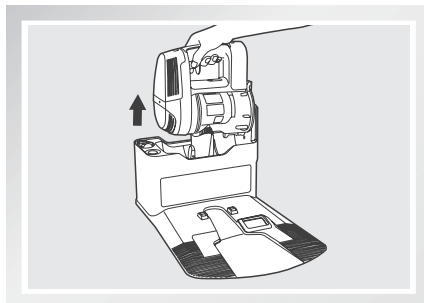
## 3. Funcionamiento y programación

### 3.7 Aspiradora portátil desmontable

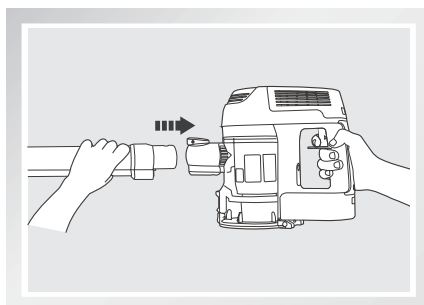
El DEEBOT tiene una aspiradora portátil desmontable con accesorios para limpiar otras superficies además del piso.

#### 1 Ensamblaje de la aspiradora portátil

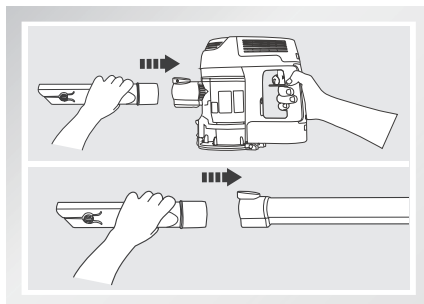
- Retire la aspiradora portátil del puerto de carga moviéndola hacia arriba.



- La vara de extensión se puede ajustar para agregar una longitud variable.

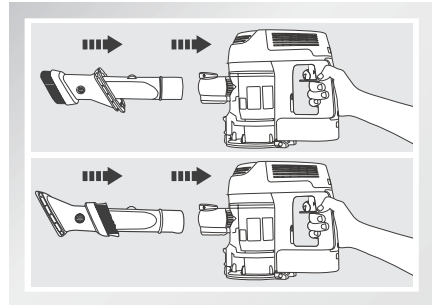


- Para utilizar la boquilla para rincones, ajústela a la aspiradora portátil o a la vara de extensión.
- Para extraer la vara de extensión o la boquilla para rincones de la aspiradora portátil, presione el botón de liberación de la vara de extensión/boquilla para rincones en la aspiradora portátil y tire del accesorio.



### 3. Funcionamiento y programación

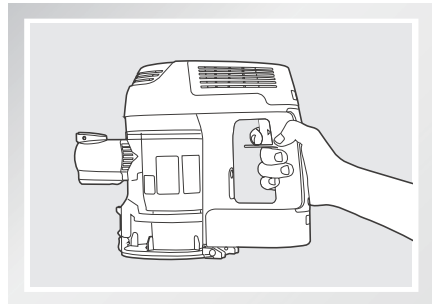
- Para usar el cepillo de tela, conecte uno de los extremos de la boquilla para rincones en primer lugar.
- Para extraer el cepillo de tela, presione el botón de liberación del cepillo de tela y tire del accesorio.



Accesorio	Uso
Boquilla para rincones	Limpia pequeñas grietas, esquinas, zócalos, etc.
Cepillo de tela	Limpia superficies blandas como sofás, cojines, cortinas, etc.

## 2 Activar y desactivar

- Mantenga presionado el botón de encendido de la aspiradora portátil para comenzar o suelte el botón de encendido para detener la aspiradora portátil.



## 3. Funcionamiento y programación

### 3.8 Informe de voz

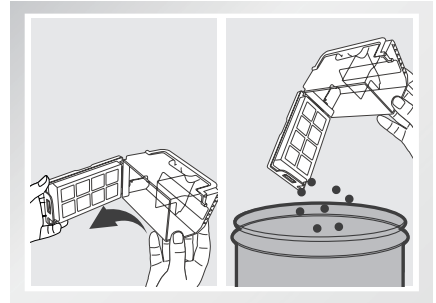
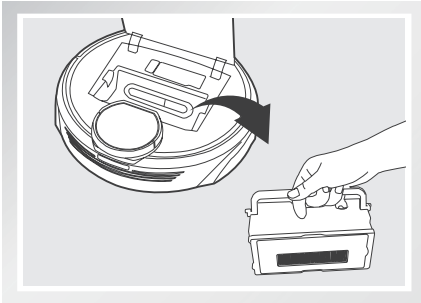
N.º	Informe de voz	Situación o solución
1	Mi hora de limpieza se programó.	Se estableció la hora de la limpieza programada.
2	Mi hora de limpieza se canceló.	Se canceló la hora de limpieza programada.
3	Mi rueda motriz está suspendida.	Coloque el robot en una superficie lisa para que pueda recuperar la tracción.
4	Mi rueda motriz se bloqueó.	La rueda motriz se bloqueó debido a una inclinación o por el umbral de la puerta. Mueva el robot manualmente.
5	Estoy atascado.	El DEEBOT quedó atrapado debido a unos obstáculos en el piso. Mueva el robot manualmente y retire los obstáculos.
6	No se encuentra mi depósito de polvo.	El depósito de polvo no se encuentra o no se instaló correctamente. Instale o vuelva a instalar el depósito de polvo y asegúrese de que se colocó correctamente.
7	Mi cepillo lateral se enredó.	Compruebe que no haya suciedad o cabellos enredados en el cepillo principal o en los cepillos laterales y límpielos como se describe en la sección 4.
8	Mi batería está baja.	El DEEBOT no pudo encontrar el puerto de carga. Coloque el DEEBOT sobre la base de carga manualmente.
9	Hay un error en mi sistema de navegación.	El LDS tiene un problema. Póngase en contacto con el Centro de atención al cliente.
10	Estoy conectado a la red Wi-Fi.	El DEEBOT está conectado a la red Wi-Fi.
11	La hora se sincronizó.	La hora del DEEBOT se sincronizó correctamente con la hora de su smartphone.
12	Error de conexión Wi-Fi.	El DEEBOT no puedo conectarse a la red Wi-Fi.
13	Se completó la limpieza.	El DEEBOT completó el ciclo de limpieza.
14	Estoy explorando. Espere.	El DEEBOT está explorando el entorno. Espere.
15	Mi mapa se está cargando. Espere.	El DEEBOT está explorando y generando el mapa. Espere.
16	Se completó el mapeo.	El DEEBOT generó el mapa.

## 4. Mantenimiento

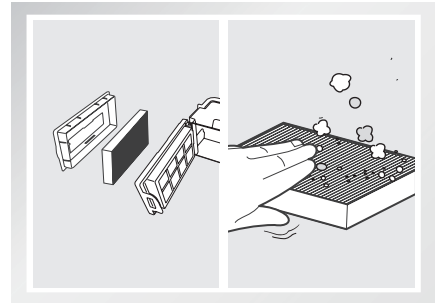
\* Antes de realizar la limpieza y el mantenimiento del DEEBOT, apague el robot y desconecte el puerto de carga.

### 4.1 Depósito de polvo y filtros

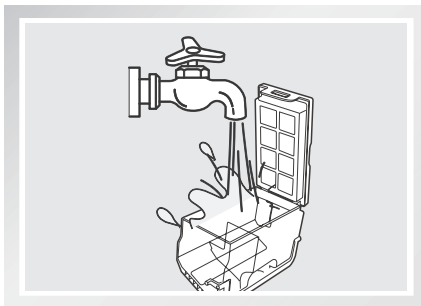
Abra la cubierta superior del DEEBOT y quite el depósito de polvo. Abra el cierre del depósito de polvo y vacíelo.



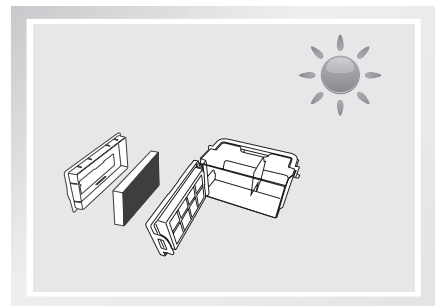
Retire los filtros. Sacuda los filtros de alta eficiencia para limpiarlos. No lave en agua el filtro de alta eficiencia.



Enjuague el depósito de polvo y el filtro de red con agua de la llave.



Seque el depósito de polvo y los filtros de red por completo antes de reinstalarlos.



## 4. Mantenimiento

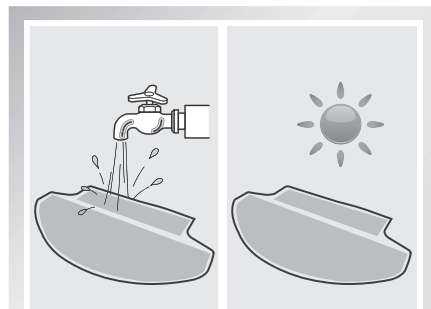
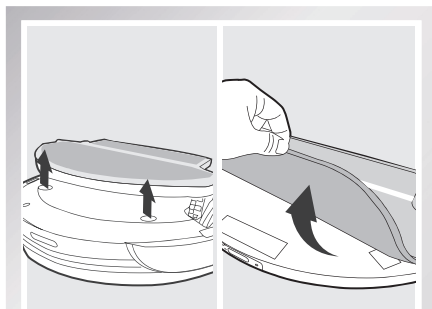
### 4.2 Paño de limpieza húmedo/seco avanzado y depósito húmedo/seco avanzado

#### Paño de limpieza húmedo/seco avanzado

Si se usó el sistema de trapeado, retire el depósito húmedo/seco avanzado de la parte inferior del DEEBOT y quite el paño de limpieza húmedo/seco avanzado.

Quite cualquier resto de agua del depósito húmedo/seco avanzado.

Lave el paño de limpieza húmedo/seco avanzado manualmente o en la lavadora, y deje que se seque en una superficie plana.

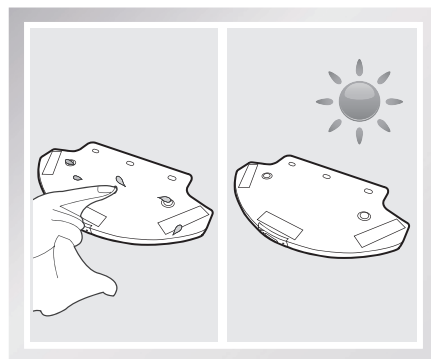
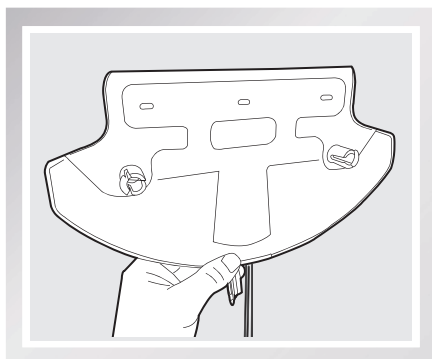


#### Depósito húmedo/seco avanzado

Si se utilizó el sistema de trapeado, quite el depósito húmedo/seco avanzado de la parte inferior del DEEBOT.

Quite cualquier resto de agua del depósito húmedo/seco avanzado y déjelo secar.

Frote el exterior del depósito húmedo/seco avanzado con un paño seco.



## 4. Mantenimiento

### 4.3 Cepillo principal y cepillos laterales

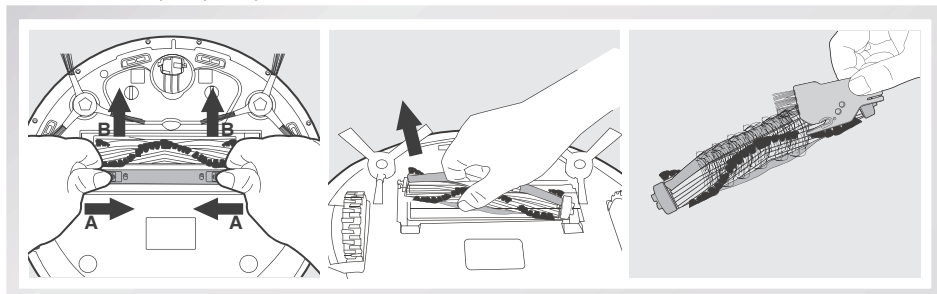
- \* Para facilitar el mantenimiento se proporciona una herramienta de limpieza multifuncional. Manéjela con cuidado; esta herramienta de limpieza tiene bordes afilados.

#### Cepillo principal

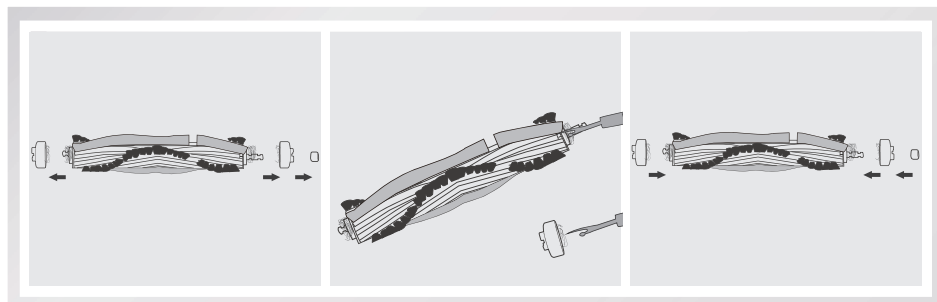
Ponga el robot al revés. Presione ambos botones del cepillo principal hacia el centro del robot. Retire la cubierta del cepillo principal.

Retire el cepillo principal.

Utilice la herramienta de limpieza multifuncional para cortar y quitar cualquier cabello enredado alrededor del cepillo principal.

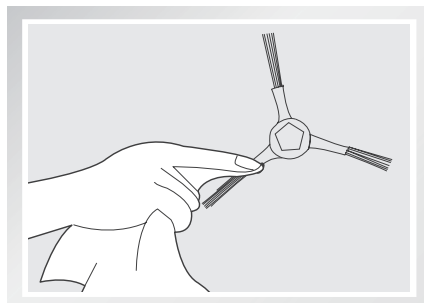


Extraiga la tuerca de plástico en el extremo del cepillo principal. Retire los tapones de plástico en ambos extremos. Limpie cualquier suciedad o cabello enredado desde ambos extremos del cepillo principal y del interior de los tapones de plástico.



#### Cepillos laterales

Quite los cepillos laterales. Limpie los cepillos laterales y sus ranuras con un paño seco.



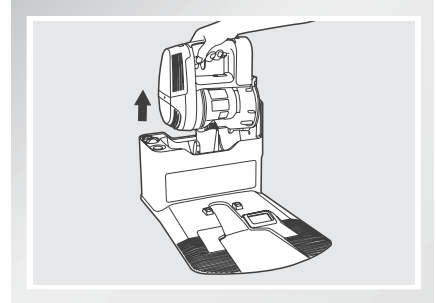
## 4. Mantenimiento

### 4.4 Aspiradora portátil

\* Vacíe la aspiradora portátil con regularidad y siempre antes de que el polvo llegue a la línea MAX para un óptimo rendimiento de la aspiradora.

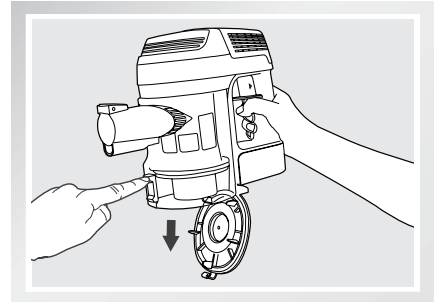
#### 1 Retiro de la aspiradora portátil

- Retire la aspiradora portátil del puerto de carga, moviéndola hacia arriba.



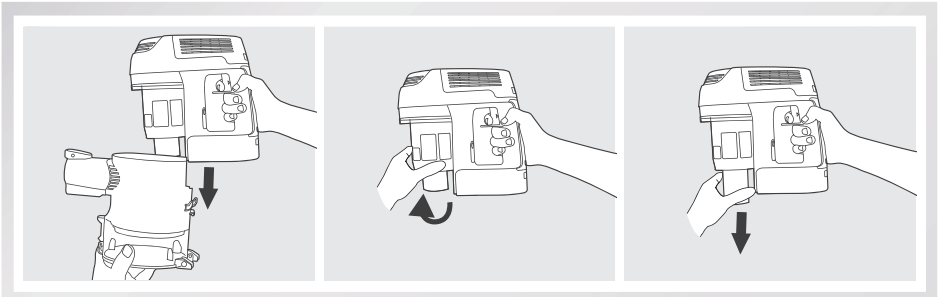
#### 2 Vacíe el polvo

- Presione el botón de liberación de la cubierta del contenedor de polvo. Vacíe el polvo en el contenedor.



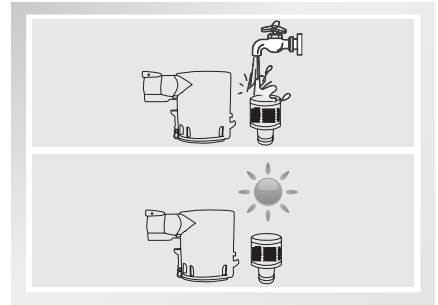
#### 3 Limpieza del filtro y contenedor transparente de polvo

- Cierre la tapa del contenedor de polvo. Presione el botón de liberación del contenedor de polvo para retirar el contenedor transparente de polvo. Gire la red del filtro del contenedor de polvo y retírelo de la aspiradora portátil.



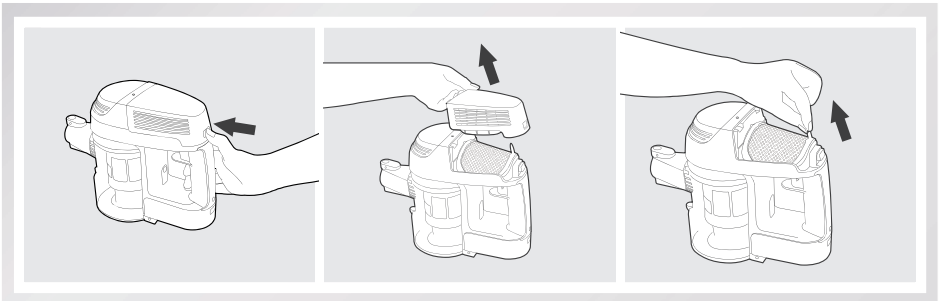
## 4. Mantenimiento

- Enjuague el contenedor transparente de polvo y la red del filtro del contenedor de polvo con agua de la llave.
- Seque completamente el contenedor transparente de polvo y la red del filtro del contenedor de polvo antes de volver a instalarlos.

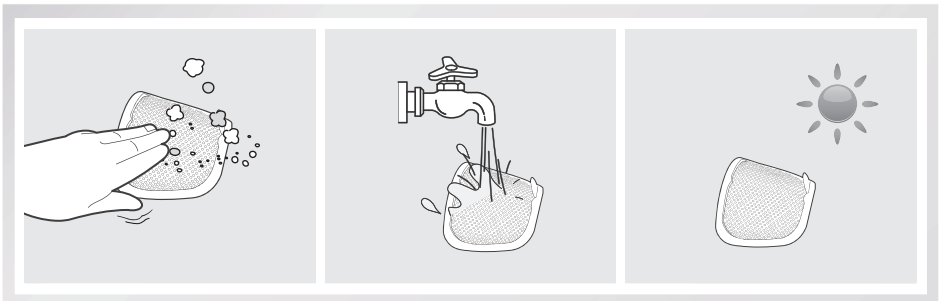


### 4 Limpieza del filtro de salida de aire

- Presione el botón de liberación de la cubierta de salida de aire para quitar la cubierta de salida de aire. Retire el filtro de salida de aire.



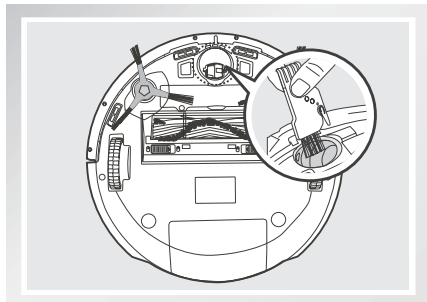
- Sacuda el filtro para limpiarlo. Si es necesario, enjuague el filtro con agua de la llave y séquelo por completo antes de volver a instalarlo.



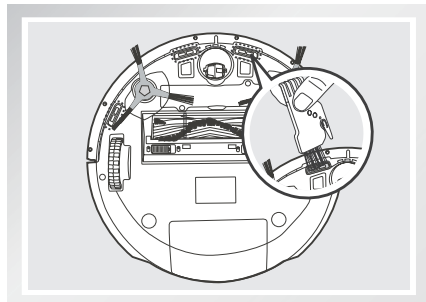
## 4. Mantenimiento

### 4.5 Otros componentes

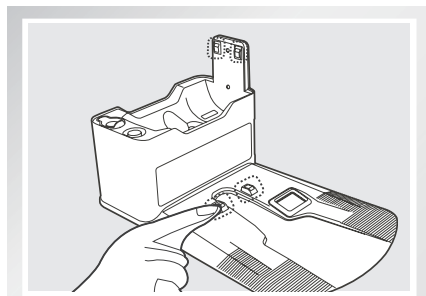
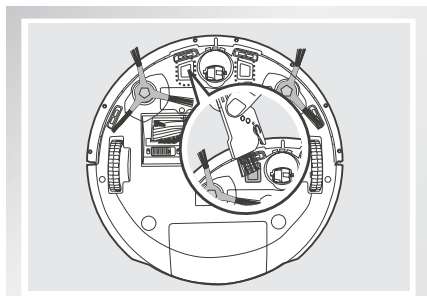
Utilice la herramienta de limpieza multifuncional para cortar y quitar cualquier cabello enredado alrededor de la rueda universal.



Limpie los sensores anticaída con el cepillo o con el lado de fieltro de la herramienta de limpieza multifuncional para mantener su eficacia.

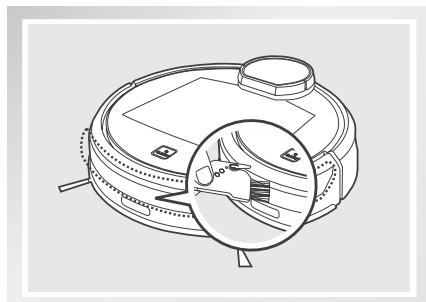


Limpie los contactos de carga y los electrodos del puerto de carga con el cepillo o con el lado de fieltro de la herramienta de limpieza multifuncional para mantener su eficacia.



\* Evite tocar los contactos de carga y los electrodos del puerto de carga con las manos húmedas o un paño húmedo.

Limpie el carril de tope con el cepillo de la herramienta de limpieza multifuncional para mantener la eficacia de los sensores anticollision.



## 4. Mantenimiento

### 4.6 Mantenimiento regular

Para mantener el rendimiento del DEEBOT al máximo, realice el mantenimiento y los reemplazos según la frecuencia que se indica a continuación. Para facilitar el mantenimiento se proporciona una herramienta de limpieza multifuncional. Manéjela con cuidado; esta herramienta de limpieza tiene bordes afilados.

Pieza del robot	Frecuencia de mantenimiento	Frecuencia de reemplazo
Paño de limpieza	Después de cada uso	Cada 50 lavados
Contenedor transparente de polvo del depósito húmedo/seco	Después de cada uso	/
Filtro de esponja/filtro de alta eficiencia	Una vez por semana (dos veces por semana si hay mascotas en la casa)	Cada 4-6 meses
Cepillos laterales	Una vez cada 2 semanas	Cada 3-6 meses
Cepillo principal	Una vez por semana	Cada 6-12 meses
Depósito de polvo Rueda universal Sensores anticaída Contactos de carga Clavijas del puerto de carga	Una vez por semana	/

Nota: ECOVACS fabrica diversos conjuntos y piezas de reemplazo. Comuníquese con Servicio al cliente para obtener más información sobre las piezas de reemplazo.

## 5. Solución de problemas

Consulte esta tabla para solucionar problemas comunes al usar el DEEBOT.

N.º	Malfuncionamiento	Posibles causas	Soluciones
1	El DEEBOT no carga.	El DEEBOT no enciende.	Encienda el DEEBOT.
		El DEEBOT no se ha conectado con el puerto de carga.	Asegúrese de que los contactos de carga del robot estén conectados con los electrodos del puerto de carga. Puede mover manualmente el robot para hacer la conexión si es necesario.
		El puerto de carga está desconectado mientras el DEEBOT está encendido, lo que consume batería.	Enchufe el puerto de carga y asegúrese de que el DEEBOT está encendido. Mantenga el DEEBOT en el puerto de carga para asegurarse de que la carga de la batería está completa y puede trabajar en cualquier momento.
		La batería está completamente descargada.	Reactive la batería. Enciéndalo. Coloque el DEEBOT en el puerto de carga manualmente; sáquelo después de cargar durante 3 minutos; repita el proceso 3 veces; luego, cárguelo normalmente.
2	El DEEBOT se traba mientras limpia y luego se detiene.	El DEEBOT se enredó con algo en el piso (cables eléctricos, cortinas largas, borde de alfombra, etc.).	El DEEBOT intentará destrabarse de distintas maneras. Si no tiene éxito, retire manualmente los obstáculos, ponga el DEEBOT en su lugar original y reinicielo.
3	El DEEBOT regresa al puerto de carga antes de terminar la limpieza.	Cuando baja la carga de la batería, el DEEBOT conmuta automáticamente para regresar al Modo Retorno al Cargador y vuelve al puerto de carga para cargarse.	Esto es normal. No requiere solución.
		El tiempo de funcionamiento varía según la superficie del suelo, la complejidad de la habitación y el Modo de limpieza seleccionado.	Esto es normal. No requiere solución.

## 5. Solución de problemas

N.º	Malfuncionamiento	Posibles causas	Soluciones
4	El DEEBOT no limpia automáticamente a la hora programada.	Se canceló la hora de limpieza programada.	Programa una hora de limpieza como se describe en la sección 3.4.
		La función de limpieza continua está activada. El DEEBOT acaba de terminar la limpieza del área de limpieza programada.	Esto es normal. No requiere solución.
		El DEEBOT está apagado.	Encienda el DEEBOT.
		El robot tiene la batería baja o no se encuentra en el puerto de carga.	Mantenga el DEEBOT encendido y en el puerto de carga para asegurarse de que la carga de la batería esté completa y pueda trabajar en cualquier momento.
		Los componentes del DEEBOT se enredaron con desechos.	Apague el DEEBOT, limpie el depósito de polvo e invierta el robot. Limpie los cepillos laterales y el cepillo principal como se describe en la sección 4.
5	El DEEBOT no puede conectarse a la red Wi-Fi doméstica.	El nombre de usuario o la contraseña de la red Wi-Fi doméstica ingresada es incorrecta.	Ingrese el nombre de usuario y la contraseña de la red Wi-Fi doméstica correctamente.
		El DEEBOT no se encuentra dentro del rango de la señal de Wi-Fi doméstica.	Asegúrese de que el DEEBOT se encuentra dentro del rango de la señal de Wi-Fi doméstica.
		Se inició la configuración de red antes de que el DEEBOT estuviera listo.	Encienda el interruptor de encendido. Presione el botón de restablecimiento con una aguja. El DEEBOT está listo para la configuración de red cuando el DEEBOT toca una melodía y la luz indicadora de Wi-Fi comienza a parpadear lentamente.
		Es necesario que actualice el sistema operativo de su smartphone.	Actualice el sistema operativo de su smartphone. La aplicación de ECOVACS es compatible con iOS 9.0 y superior, Android 4.0 y superior.





**Model/Modèle/Modelo: DR88**  
**Vacuum Cleaner/Aspirateur/Aspiradora**  
**The Floor Cleaning Robot/Le robot nettoyeur de plancher/**

**El robot para limpieza de pisos**

Rated Voltage/Tension nominale/Tensión nominal: 14.8V DC

For use only with Ecovacs Robotics Co., Ltd. CH1459C charger.

Utiliser seulement avec Ecovacs Robotics Co., Ltd. chargeur CH1459C.

Solo para uso con el cargador CH1459C de Ecovacs Robotics Co., Ltd.

S/N:

This Device Complies with DHHS Radiation Rules, 21CFR Chapter 1,  
Subchapter J./Cet appareil est conforme aux règles de radiation du  
DHS, 21 CFR chapitre 1, sous-chapitre J./ Este dispositivo cumple con  
las normas de radiación del DHS, título 21 del CFR, capítulo 1, subcapítulo J.

**CLASS I LASER PRODUCT**

Contains FCC ID: 2AC72-ES/PWROOM2.

Contiene IC:21098-ESPWROOM2



**MADE IN CHINA/FAIT EN CHINE/HECHO EN CHINA**

**Intertek**  
5003840 (CERTIFIED BY IEC)  
CERTIFIED IN USA BY ETL, IEC, PSE, CCC



Ecovacs Robotics Co., Ltd.  
No. 18 You Xiang Road, Wuzhong District,  
Suzhou City, Jiangsu  
Province, P.R.China

DR98-AM01-IM2016R01