



MINI WAFFLE MAKER

Instruction Manual and Recipe Guide

MINIWAFLERA

Manual de instrucciones y guía de recetas

WWW.BELLAHOUSEWARES.COM

Register your product and get support • Registrar y obtener asistencia de su producto



THANK YOU

for your purchase

**REGISTER
AND SIGN UP**



for special announcements and trendy recipes!

**TELL US WHAT
YOU THINK!**



Rate, review or ask us a question.

GO TO: bellahousewares.com

#myBELLAlife



BellaLifestyle



BellaLife

Table Of Contents

Important Safeguards.....	2
Additional Important Safeguards.....	3
Notes On The Plug.....	3
Notes On The Cord.....	3
Plasticizer Warning.....	3
Electric Power.....	3
Getting To Know Your Waffle Maker	4
Before Using For The First Time	4
Using Your Waffle Maker	4
Tips For Perfectly Baked Waffles	5
Cleaning And Maintenance	5
Recipes.....	6
Warranty	9

Índice

Medidas de seguridad importantes	10
Otras medidas de seguridad importantes	12
Notas sobre el enchufe.....	12
Notas sobre el cable.....	12
Advertencia sobre el plastificante	12
Energía eléctrica	12
Conozca su waflera	13
Antes del primer uso.....	13
Para usar la waflera.....	13
Consejos para obtener waffles perfectamente cocidos.....	14
Limpieza y mantenimiento.....	15
Recetas.....	16
Garantía.....	19

IMPORTANT SAFEGUARDS

WARNING: When using electrical appliances, basic safety precautions should always be followed, including the following:

1. **READ ALL INSTRUCTIONS BEFORE USING APPLIANCE.**
2. Do not touch hot surfaces. Use handles or knobs.
3. To protect against risk of electric shock, do not immerse or partially immerse the cord, plugs, or the entire unit in water or any other liquid.
4. This appliance is not intended for use by persons (including children) with reduced physical, sensory or mental capabilities, or lack of experience and knowledge, unless they have been given supervision or instruction concerning use of the appliance by a person responsible for their safety.
5. Close supervision is necessary when any appliance is used by or near children.
6. Unplug from wall outlet when not in use and before cleaning. Allow to cool before cleaning or storing this appliance.
7. Never yank the cord to disconnect the appliance from the outlet. Instead, grasp the plug and pull to disconnect.
8. Do not operate any appliance with a damaged cord or plug or after the appliance malfunctions or is dropped or damaged in any manner. Bring the appliance to a qualified service agent for examination, repair or electrical/mechanical adjustment to avoid hazard.
9. The use of accessories attachments not recommended by the appliance manufacturer may cause fire, electrical shock or injuries.
10. Do not use outdoors. This is for household only.
11. Do not use for commercial purposes.
12. Do not let the electrical cord hang over the edge of the table or counter, or touch hot surfaces.
13. Do not allow appliance to come into contact with any materials that are flammable such as draperies, walls, etc.
14. Do not place on or near a hot gas or electric burner or in a heated oven.
15. Use on a heat-resistant, flat level surface only.
16. Extreme caution must be used when moving an appliance containing hot food, hot water, hot oil or other hot liquids.
17. The cord to this appliance should be plugged into a 120V AC electrical outlet only.
18. A short power-supply cord is to be provided to reduce the risk resulting from becoming entangled in or tripping over a longer cord.
19. To disconnect, remove plug from outlet.
20. Always unplug after use. The appliance will remain ON unless unplugged. **CAUTION HOT SURFACES:** This appliance generates heat during use. Proper precautions must be taken to prevent the risk of burns, fire or other damage to persons or property.
21. When using this appliance, provide adequate ventilation above and on all sides for air circulation. Do not allow this appliance to touch curtains, wall coverings, clothing, dish towels or other flammable materials during use.
22. Do not use appliance for other than intended use.

FOR HOUSEHOLD USE ONLY SAVE THESE INSTRUCTIONS

ADDITIONAL IMPORTANT SAFEGUARDS

CAUTION: This appliance is hot during operation and retains heat for some time after plugging OUT. Always use oven mitts when handling hot materials and allow metal parts to cool before cleaning. Do not place anything on top of the appliance while it is operating or while it is hot.

1. All users of this appliance must read and understand this Instruction Manual before operating or cleaning this appliance.
2. Do not leave this appliance unattended during use.

NOTES ON THE PLUG

This appliance has a polarized plug (one blade is wider than the other). To reduce the risk of electric shock, this plug will fit in a polarized outlet only one way. If the plug does not fit fully into the outlet, reverse the plug. If it still does not fit, contact a qualified electrician. Do not modify the plug in any way.

NOTES ON THE CORD

- A. A short power-supply cord (or detachable power-supply cord) is to be provided to reduce the risk resulting from becoming entangled in or tripping over a longer cord.
- B. Longer detachable power-supply cords or extension cords are available and may be used if care is exercised in their use.
- C. If a long detachable power-supply cord or extension cord is used:
 1. The marked electrical rating of the cord or extension cord should be at least as great as the electrical rating of the appliance;
 2. If the appliance is of the grounded type, the extension cord should be a grounding-type 3-wire cord; and
 3. The longer cord should be arranged so that it does not drape over the countertop or table top where it can be pulled on by children or tripped over unintentionally.

PLASTICIZER WARNING

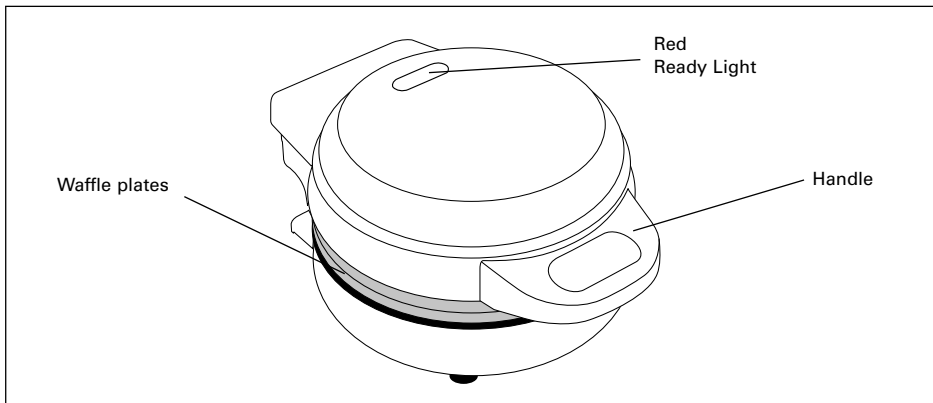
CAUTION: To prevent Plasticizers from migrating to the finish of the counter top or table top or other furniture, place NON-PLASTIC coasters or place mats between the appliance and the finish of the counter top or table top. Failure to do so may cause the finish to darken; permanent blemishes may occur or stains can appear.

ELECTRIC POWER

If the electrical circuit is overloaded with other appliances, your appliance may not operate properly. It should be operated on a separate electrical circuit from other appliances.

Getting to know your waffle maker

Product may vary slightly from illustration



Before Using For The First Time

- Remove all parts included in the box.
- Wash all the parts thoroughly (refer to Cleaning and Maintenance section for more information).

NOTE: Your Waffle Maker may emit a small amount of smoke and/or odor when you use it for the first time. This is normal and harmless, however we recommend that you do not eat the first waffle you make with the Waffle Maker.

Using Your Waffle Maker

1. Plug the cord into your 120 V AC wall outlet.
2. The Red Ready Light will turn off when the appliance reaches proper cooking temperature. Once heated, ready times will be faster.
3. When the Red Ready Light turns off, using the handle, lift the top lid to the open position and apply a light layer of vegetable oil, olive oil or canola oil to the cooking plates. Pour and spread the waffle batter evenly onto the lower plate so that the batter fills the lower plate and the peak areas of the plate are covered.
CAUTION: DO NOT USE COOKING SPRAYS. THEY CAN CAUSE A BUILD-UP ON THE COOKING PLATES AND MAY AFFECT THE NON-STICK PERFORMANCE OF THE PRODUCT.
4. Using the handle, lower the top lid.
5. Allow the Waffle Maker to cook for 2 - 3 minutes, according to recipe directions. The Red READY light will cycle on and off as the unit maintains baking temperature.
6. When the Red ready light turns OFF, using oven mitts gently open the lid by lifting the lid handle; if it pulls, continue baking for 30 seconds and test again. If the waffles need to bake to a darker finish, close the lid and continue cooking at 20 second intervals until the desired color is achieved.
7. Wearing oven mitts, remove waffles from the cooking plates using a non-metallic utensil. A wooden or heat-proof plastic spatula can be used to remove the waffles.
CAUTION: To avoid damage to the non-stick surface, never use any sharp, pointed or metal objects.
WARNING: Cooking surfaces are hot, do not touch; use caution until cooking plates are cool.
8. To make more waffles, close the Waffle Maker until the Red Ready Light appears off, then repeat from step 4.
9. When finished baking waffles, remove plug from wall outlet.
10. After it has sufficiently cooled, the heating plates may be wiped clean.

Tips For Perfectly Baked Waffles

1. Stir your waffle batter only until large chunks of dry ingredients are dissolved. Over mixing the waffle batter can cause the waffles to be hard.
2. The exact amount of batter needed to make perfect full-sized waffles depends on the type and consistency of the batter. Use the same ladle or measuring cup each time to determine how much batter you need to fill the lower plate fully so as to cover the peaks in the plate.
3. When making softer variety of waffles, once they are baked, make sure to cut the waffles into halves or in 4 quarters and support them with a spatula at the bottom so it is easier to take them out from the plates, since softer waffles can break easily.
4. When making large batches to serve at once, you can keep the waffles fresh & crisp by placing them in a preheated oven at 200°F. Take them out using oven mitts when you are ready to serve.
5. To avoid waffles with a moist base, kept the waffles on a wire cooling rack. This will retain the crispness of the waffles.
6. You can reheat your waffles in the waffle maker. Pre-heat the waffle maker. Once preheated, place the waffles on the lower plate so they fit the grooves correctly, then close the waffle maker and heat for 1 minute, checking every 30 seconds to avoid burning.
7. You can also freeze your waffles to eat later. After the freshly baked waffles have cooled completely, pack them in a covered container or plastic freezer bag. Make sure to separate the waffles with a sheet of wax paper between each waffle. To reheat the frozen waffles, place in a pre-heated oven, toaster oven or toaster until they are hot.

For lower sugar waffles and/or toppings:

- Use sugar substitutes.
- Use organic agave nectar.
- Use low-sugar preserves, marmalades or jellies.
- Use macerated dried fruits such as figs, dates, prunes.
- Use apple or mango sauce.
- Use sugar-free maple syrup.

For lower fat, lower cholesterol waffles:

- Use skim milk, almond milk, coconut milk, soy milk, etc.
- Adapt recipes by eliminating egg yolks.
- Always use liquid vegetable oils such as canola, corn or sunflower, instead of butter.

For higher fiber waffles:

- Substitute half of the recipe white flour with whole-wheat flour.
- Substitute one-quarter of the recipe white flour with wheat or oat bran.
- Use macerated high-fiber dried fruits such as figs, dates, baby prunes.

User Maintenance Instructions

This appliance requires little maintenance. It contains no user serviceable parts. Do not try to repair it yourself. Contact a qualified appliance repair technician if the product requires servicing.

Cleaning and Maintenance

1. Unplug the waffle maker, and allow it to cool down before cleaning.
2. You can easily remove any excess oils or crumbs without disassembling the appliance.
3. Never submerge the appliance in water or place it in the dishwasher.
4. Use only plastic or wooden utensils on the heating plates. Metal may damage the plates.
5. Use a soft cloth on the heating plates and occasionally a metal polish intended for stainless steel on the outer housing. Never use abrasive scouring pads or steel wool.
6. If there is hardened batter on the plates, pour a little oil and let it sit for about 5-7 minutes. You can then wipe clean with a paper towel.
7. Do not use the Waffle Maker for anything other than making waffles.

Recipes

IMPORTANT: At the end of cooking time, open waffle maker by gently lifting the upper lid. In case of resistance, continue to cook for 30 seconds.

NOTE: If the dough is thick, use a spatula to extend onto the sides.

WARNING: DO NOT OVERFILL; the dough increases in volume during baking.

NOTE: Recipes can be divided into two or doubled.

NOTE: The waffles can be frozen in resealable plastic bags for a maximum of one month. Reheat in toaster oven or oven to 300°F (149°C) up they are hot and crispy.

Waffle Base Mix

This easy to make waffle mix can be made in so many ways with only a few ingredients from your pantry. Try both savory and sweet recipes for a unique way to serve this classic breakfast favorite at anytime of the day!

- 3 cups all-purpose flour
- 2 tbsp. baking powder
- 1 tsp. salt
- 1/2 cup sugar

Mix all ingredients together and store in an airtight container until ready to use.

Classic Buttermilk Waffles

- 1 1/2 cups Mix Waffle Base
- 2 eggs
- 4 tbsp. melted butter
- 1/2 cup buttermilk

1. **In a mixing bowl, combine all ingredients and whisk until mixture is smooth and contains no lumps.**
2. **In preheated waffle iron, add in about 2 tablespoons for each waffle and cook until waffles are golden brown (about 2-3 minutes).**

TIPS:

1. **Add 1/4 cup of your favorite jam flavor to batter before cooking.**
2. **Layer waffles with fresh fruit, toasted nuts, honey, flavored syrups or yogurt for a delicious breakfast or treat.**

Chocolate Chip Waffles

- 1 1/2 cups Mix Waffle Base
- 4 tbsp. melted butter
- 2 eggs
- 1/2 cup buttermilk
- 1/4 cup chocolate chips

1. **In a mixing bowl, combine all ingredients and whisk until mixture is smooth and contains no lumps.**
2. **In preheated waffle iron, add in about 2 tablespoons for each waffle and cook until waffles are golden brown (about 2-4 minutes).**

Recipes

Blueberry Waffles

- 1 1/2 cups Mix Waffle Base
 - 4 tbsp. melted butter
 - 2 eggs
 - 1/2 cup buttermilk
 - 1/4 cup blueberries
1. **In a mixing bowl, combine all ingredients and whisk until mixture is smooth and contains no lumps.**
 2. **In preheated waffle iron, add in about 2 tablespoons for each waffle and cook until waffles are golden brown (about 3-4 minutes).**

TIP: Top with sliced strawberries for a berry-delicious breakfast!

Light & Crispy Gluten-Free Waffles

- 1/2 cup certified gluten-free brown rice flour
 - 1/4 cup certified gluten-free chickpea flour
 - 1/4 cup certified gluten-free tapioca flour
 - 3/4 teaspoons baking powder
 - 1 teaspoon pure vanilla extract
 - 1/4 teaspoon fine salt
 - 1/2 cup milk
 - 1/4 cup vegetable oil
 - 1 large egg, separated
 - 2 tablespoons organic agave nectar
 - Soft unsalted butter and syrup, w for topping
1. **In a large bowl, whisk rice, chickpea and tapioca flours together. Add baking powder, vanilla and salt in a large bowl.**
 2. **In another bowl, whisk milk, oil and egg yolks.**
 3. **Use a 3rd bowl to beat egg whites and sugar until soft peaks form.**
 4. **Pour the wet ingredients into the dry, gently stirring until just incorporated. Do not overmix, some lumps are ok.**
 5. **Fold in the beaten egg whites.**
 6. **Lightly brush the top and bottom waffle plates with oil.**
 7. **Spoon 2 tablespoons waffle batter into the center of the waffle plate; use a spatula to spread batter to edges and close and lock lid.**
 8. **Bake 3 to 4 minutes or until the waffles are golden brown.**
 9. **Serve with butter and your favorite syrup.**

Whole-Grain Apple Waffles

- 1/4 cup cornmeal
 - 1/4 cup buckwheat flour
 - 1/2 cup brown rice flour
 - 1/2 teaspoon baking powder
 - 1/2 teaspoon baking soda
 - 1/4 teaspoon salt
 - 1/2 cup nonfat plain yogurt
 - 2 eggs
 - 2 tablespoons water
 - 1 tablespoon canola oil
 - 1 teaspoon vanilla extract
 - 1 cup diced red apple
1. **In a large bowl, combine cornmeal, buckwheat and brown rice flours, baking powder, baking soda and salt.**
 2. **In a separate bowl, whisk together yogurt, eggs, water, oil and vanilla. Add to dry ingredients. Stir in apples.**
 3. **Lightly brush the top and bottom waffle plates with oil.**
 4. **Spoon 2 tablespoons waffle batter into the center of the waffle plate; use a spatula to spread batter to edges and close and lock lid.**
 5. **Bake 3 to 4 minutes or until the waffles are golden brown.**

Recipes

Date Nut Waffles

- 1 cup all-purpose flour
- 1 teaspoon baking powder
- 1/4 teaspoon salt
- 2 teaspoons ground cinnamon
- 2 eggs, separated
- 1 tablespoon sugar
- 1 teaspoons vanilla extract
- 3/4 cup milk
- 1/4 cup melted butter
- 1/4 cup pitted dates, chopped
- 1/4 cup chopped pecans

1. **Condition and preheat Waffle Maker.**
2. **Sift flour, baking powder, salt and cinnamon together in a bowl.**
3. **Use an electric mixer to beat the whites until soft peaks form. Sprinkle in the sugar and continue to beat until stiff. Blend in vanilla.**
4. **Use the Mixer to blend egg yolks, milk and vegetable oil together.**
5. **Pour the milk mixture into the dry ingredients and whisk together until just mixed.**
6. **Gently fold egg white mixture, dates and pecans into the batter.**
7. **Lightly brush the top and bottom waffle plates with oil.**
8. **Spoon 2 tablespoons of waffle batter into the center of each of the waffle plate; use a spatula to spread batter to edges and close and lock lid.**
9. **Bake 3 to 4 minutes or until the waffles are golden brown.**

Lemon Blueberry Waffles

- 3/4 cup bleached all-purpose flour
- 1/4 cup cornstarch
- 1/2 teaspoon salt
- 1/2 teaspoon baking powder
- 1/4 teaspoon baking soda
- 2 teaspoons finely grated lemon zest
- 1/2 cup chopped dried blueberries
- 1 tablespoon fresh lemon juice
- 3/8 cup buttermilk
- 3/8 cup milk
- 3 tablespoons vegetable oil or melted butter
- 1 teaspoon vanilla extract
- 1 teaspoon lemon extract
- 2 large eggs, separated
- 1 tablespoon sugar

1. **In a medium bowl mix the flour, cornstarch, salt, baking powder, baking soda, lemon zest and chopped dried blueberries.**
2. **Add the lemon juice, buttermilk, milk, oil, vanilla and lemon extract to a large spouted container or measuring cup; mix in the egg yolks and set aside.**
3. **In another bowl, beat the egg whites almost to soft peaks. Sprinkle in the sugar and continue to beat until peaks are firm and glossy.**
4. **Pour the buttermilk mixture into the dry ingredients and whisk until just mixed.**
5. **Use a spatula to fold in dollops of whipped egg white into the batter until just incorporated.**
6. **Lightly brush the top and bottom waffle plates with oil.**
7. **Spoon 2 tablespoons waffle batter into the center of each of the waffle plate; use a spatula to spread batter to edges and close and lock lid.**
8. **Bake 3 to 4 minutes or until the waffles are golden brown.**



Limited TWO-YEAR Warranty

SENSIO Inc. hereby warrants that for a period of **TWO YEARS** from the date of purchase, this product will be free from mechanical defects in material and workmanship, and for 90 days in respect to non-mechanical parts. At its sole discretion, SENSIO Inc. will either repair or replace the product found to be defective, or issue a refund on the product during the warranty period.

The warranty is only valid for the original retail purchaser from the date of initial retail purchase and is not transferable. Keep the original sales receipt, as proof of purchase is required to obtain warranty validation. Retail stores selling this product do not have the right to alter, modify, or in any way revise the terms and conditions of the warranty.

EXCLUSIONS:

The warranty does not cover normal wear of parts or damage resulting from any of the following: negligent use of the product, use of improper voltage or current, improper routine maintenance, use contrary to the operating instructions, disassembly, repair, or alteration by anyone other than qualified SENSIO Inc. personnel. Also, the warranty does not cover Acts of God such as fire, floods, hurricanes, or tornadoes.

SENSIO Inc. shall not be liable for any incidental or consequential damages caused by the breach of any express or implied warranty. Apart from the extent prohibited by applicable law, any implied warranty of merchantability or fitness for a particular purpose is limited in time to the duration of the warranty. Some states, provinces or jurisdictions do not allow the exclusion or limitation of incidental or consequential damages, or limitations on how long an implied warranty lasts, and therefore, the above exclusions or limitations may not apply to you. The warranty covers specific legal rights which may vary by state, province and/or jurisdiction.

HOW TO OBTAIN WARRANTY SERVICE:

You must contact Customer Service at our toll-free number: 1-866-832-4843. A Customer Service Representative will attempt to resolve warranty issues over the phone. If the Customer Service Representative is unable to resolve the problem, you will be provided with a case number and asked to return the product to SENSIO Inc. Attach a tag to the product that includes: your name, address, daytime contact telephone number, case number, and description of the problem. Also, include a copy of the original sales receipt. Carefully package the tagged product with the sales receipt, and send it (with shipping and insurance prepaid) to SENSIO Inc.'s address. SENSIO Inc. shall bear no responsibility or liability for the returned product while in transit to SENSIO Inc.'s Customer Service Center.

MEDIDAS DE SEGURIDAD IMPORTANTES

ADVERTENCIA: Cuando se utilizan aparatos eléctricos, se deben seguir precauciones de seguridad básicas, entre ellas:

- 1. LEA TODAS LAS INSTRUCCIONES ANTES DE UTILIZAR EL APARATO.**
2. No toque las superficies calientes. Use las manijas o perillas.
3. Para protegerse contra riesgos de descarga eléctrica, no sumerja, ni total ni parcialmente, el cable, el enchufe ni la unidad completa en agua u otros líquidos.
4. Este dispositivo no está diseñado para ser utilizado por personas (incluidos niños) con capacidades físicas, sensoriales o mentales reducidas, o falta de experiencia y conocimiento, a menos que una persona responsable de su seguridad los supervise o instruya en el uso del aparato.
5. Es necesario supervisar atentamente a los niños si usan aparatos o están cerca de ellos.
6. Desenchufe el aparato del tomacorriente de la pared cuando no lo utilice o antes de limpiarlo. Deje que se enfríe el aparato antes de limpiarlo o guardarlo.
7. Nunca tire del cable para desconectar el aparato del tomacorriente. En cambio, tome el enchufe y tire de él para desconectarlo.
8. No utilice ningún electrodoméstico que tenga un cable o enchufe dañado, que muestre un funcionamiento defectuoso o que se haya dañado de cualquier manera. Lleve el electrodoméstico a un agente de servicio técnico calificado para que lo examine, lo repare o le haga ajustes eléctricos o mecánicos a fin de evitar accidentes.
9. El uso de accesorios no recomendados por el fabricante del artefacto puede ocasionar incendios, descargas eléctricas o lesiones.
10. No lo utilice en el exterior. Este aparato es para uso doméstico únicamente.
11. No lo utilice para fines comerciales.
12. No permita que el cable eléctrico cuelgue del borde de la mesa o mesada ni que toque superficies calientes.
13. No deje que el aparato entre en contacto con ningún material que sea inflamable como colgaduras, paredes, etc.
14. No lo coloque encima ni cerca de un quemador eléctrico o de gas calientes, ni de un horno caliente.
15. Solo utilice el aparato sobre una superficie plana y resistente al calor.
16. Se debe tener sumo cuidado cuando se traslada un aparato con alimento caliente, o agua, aceite u otros líquidos calientes.
17. El cable del aparato se debe enchufar únicamente a un tomacorriente eléctrico de 120 V de CA.
18. Se suministrará un cable de alimentación corto para reducir el riesgo de enredarse o tropezarse con un cable más largo.
19. Para desconectar la unidad, desenchúfela del tomacorriente.

20. Siempre desenchufe el aparato después de usarlo. El aparato permanecerá encendido a menos que se desenchufe.
PRECAUCIÓN CON LAS SUPERFICIES CALIENTES: Este aparato genera calor durante el uso. Se deben tomar las medidas necesarias para evitar riesgos de quemaduras, incendios u otros daños a personas o a la propiedad.
21. Cuando utilice este aparato, deje suficiente ventilación por encima y alrededor de él para la circulación del aire. No permita que este aparato esté en contacto con cortinas, revestimientos de paredes, ropas, repasadores u otros materiales inflamables durante su uso.
22. No le dé al aparato otro uso que no sea el indicado. Utilizar con enchufe de pared única.

GUARDE ESTAS INSTRUCCIONES PARA USO DOMÉSTICO ÚNICAMENTE

OTRAS MEDIDAS DE SEGURIDAD IMPORTANTES

PRECAUCIÓN: Este electrodoméstico se calienta durante el funcionamiento y mantiene el calor un tiempo después de desconectarlo. Siempre use manoplas al manipular materiales calientes y deje que las piezas metálicas se enfrien antes de limpiarlas. No coloque nada sobre el electrodoméstico mientras esté en funcionamiento o mientras esté caliente.

1. Todos los usuarios de este electrodoméstico deben leer y comprender este manual de instrucciones antes de ponerlo en funcionamiento o limpiarlo.
2. No descuide el electrodoméstico mientras esté en funcionamiento.

NOTAS SOBRE EL ENCHUFE

El producto tiene un enchufe polarizado (una pata es más ancha que la otra). Para reducir el riesgo de electrocución, este enchufe viene para entrar en tomas de corriente polarizadas de una sola forma. Si el enchufe no entra completamente en la toma, invierta la posición del enchufe. Si sigue sin entrar, contacte un electricista calificado. No intente modificar el enchufe de ninguna manera.

NOTAS SOBRE EL CABLE

- A. El aparato cuenta con un cable de alimentación corto para evitar que se enrede o que sea un obstáculo.
- B. Es posible utilizar una extensión eléctrica con vigilancia.
- C. Si utiliza una extensión:
 1. Asegúrese de que el calibre indicado en el cordón sea como mínimo tan alto como las características eléctricas indicadas en el aparato;
 2. La extensión debe contar con un cordón de 3 conductores con puesta a tierra, si el aparato contara con el conductor de puesta a tierra.
 3. El cordón y la extensión se deben colocar de modo que no cuelguen de una superficie plana o una mesa para evitar que estén al alcance de los niños o que representen un obstáculo para ellos.

ADVERTENCIA SOBRE EL PLASTIFICANTE

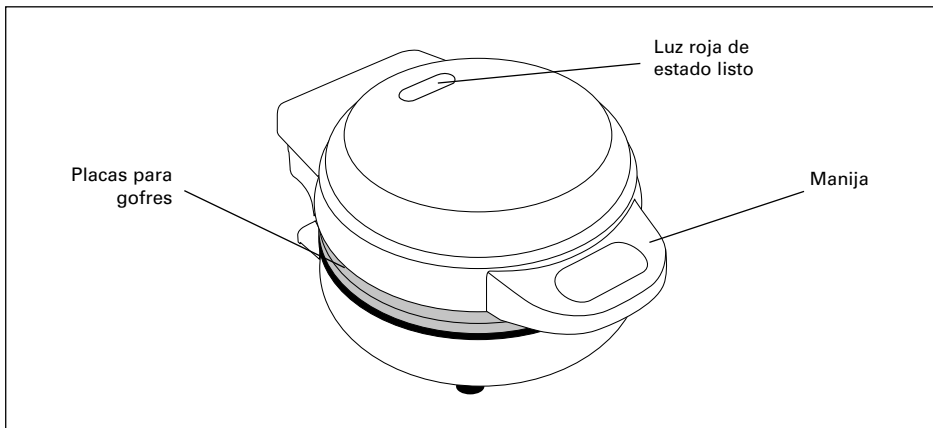
PRECAUCIÓN: Para evitar que el plastificante se transfiera sobre el acabado de la encimera, la superficie de trabajo u otro mueble, coloque posavasos o manteles individuales NO PLÁSTICOS entre el electrodoméstico y el acabado de la encimera o la superficie. De lo contrario, el acabado puede oscurecerse o pueden aparecer manchas o marcas permanentes.

ENERGÍA ELÉCTRICA

Si el circuito eléctrico está sobrecargado con otros artefactos, su electrodoméstico puede dejar de funcionar correctamente. El electrodoméstico debe funcionar en un circuito eléctrico separado de otros artefactos.

Conozca su waflera

El producto puede diferir levemente de la ilustración



Antes del primer uso

- Saque todas las piezas incluidas en la caja.
- Lave bien todas las piezas (Consulte la sección Limpieza y mantenimiento para más información).

NOTA: La waflera puede emitir una pequeña cantidad de humo y/u olor al usarla por primera vez. Esto es normal e inofensivo, sin embargo, recomendamos que no coma el primer waffle que haga con la waflera.

Para usar la Waflera

1. Enchufe el cordón en una toma de corriente de pared de 120 V de CA.
2. Aplique una delgada capa de aceite vegetal o mantequilla derretida a las placas calefactoras (las mantequillas rociadas son ideales), y luego gire la perilla de control a los ajustes deseados. La luz Roja de estado encendida se apagará y la waflera empezará a precalentar. La luz Roja de estado encendida se prenderá cuando el aparato alcance la temperatura adecuada de cocción. Esto tomará aproximadamente de 3 a 5 minutos. Una vez caliente, los tiempos de estado listo se alcanzarán más rápidamente.
3. Cuando la luz Roja de estado encendida se prende, con mango de la waflera, levante la tapa a la posición abierta, aplique una delgada capa de aceite vegetal, aceite de oliva o aceite de canola en las placas de cocción. Vierta y esparce de manera uniforme el batido para waffles sobre la placa inferior de modo que esta se llene con el batido y se cubran las áreas en pico de la placa.
PRECAUCIÓN: NO UTILICE AEROSOL DE COCINA. PUEDEN CAUSAR UNA ACUMULACIÓN EN LAS PLACAS DE COCCIÓN Y PUEDE AFECTAR EL RENDIMIENTO ANTIADHERENTE DEL PRODUCTO.
4. Usando el pestillo del mango, baje la tapa superior.
5. Deje que la waflera cocine de 4 a 5 minutos, según las instrucciones de la receta. La luz Roja de estado ENCENDIDA se enciende y apaga a medida que la waflera mantenga la temperatura de hornear.
6. Con guantes para horno, con el mango de la waflera, levante la tapa a la posición abierta abra el pestillo y levante suavemente la tapa; Si tira, siga horneando durante 30 segundos y vuelve a probar. Si los waffles necesitan hornearse para un acabado más oscuro, cierre la tapa y siga cocinando en intervalos de 20 segundos hasta lograr el color deseado.
7. Con guantes para horno, quite los waffles de las placas de cocina con un utensilio no metálico. Se puede usar una espátula de madera o de plástico resistente al calor para quitar los waffles.
PRECAUCIÓN: para evitar dañar la superficie antiadherente, nunca utilice objetos afilados, puntiagudos o metálicos.

ADVERTENCIA: Las superficies de cocción están calientes, no las toque; tenga cuidado hasta que las placas de cocción estén frías.

8. Para hacer más waffles, cierre la waflera hasta que se prenda la luz Roja de estado encendida y repita desde el paso 4.
9. Cuando termine de cocinar los waffles, desenchufe la unidad del tomacorriente de pared.
10. Después de se haya enfriado lo suficientemente, se puede limpiar

Consejos para obtener waffles perfectamente cocidos

1. Mezcle el batido para waffles hasta disolver los pedazos grandes de ingredientes secos. Si mezcla demasiado el batido para waffles, serán demasiado duros.
2. Coloque la perilla de control en el ajuste deseado. Cuanto mayor sea el ajuste, más oscuros serán los waffles. El color y la textura crujiente de los waffles también dependen del batido que utilice. Pruebe con el ajuste y diferentes batidos para waffles a fin de determinar el ajuste ideal de la waflera.
3. La cantidad exacta de batido necesario para hacer los waffles perfectos de tamaño normal depende del tipo y consistencia del batido. Utilice el mismo cucharón o taza medidora cada vez para determinar la cantidad de batido necesario para llenar la placa inferior por completo y cubrir los picos de la placa.
4. Si desea realizar una variedad más blanda de waffles, cuando estén cocidos, asegúrese de cortarlos en mitades o en 4 cuartos y tomarlos con una espátula por la base para retirarlos de las placas con mayor facilidad, ya que los waffles más blandos se pueden romper fácilmente.
5. Cuando realice grandes cantidades de waffles al mismo tiempo y desea guardarlos frescos y crocantes, colóquelos en un horno precalentado a 200 °F (90 °C). Retírelos con guantes para horno cuando esté listo para servir.
6. Para evitar que los waffles tengan la base húmeda, colóquelos sobre una rejilla de alambre para enfriar. De esta manera, mantendrá la textura crujiente de los waffles.
7. Puede calentar los waffles en la waflera. Precaliente la waflera en un ajuste de temperatura baja. Cuando esté precalentada, coloque los waffles sobre la placa inferior de manera que encajen correctamente en las ranuras; luego, cierre la waflera y caliente de 1 a 2 minutos, controlando cada 30 segundos para evitar que se quemen.
8. También los puede congelar para consumirlos más adelante. Después de enfriar por completo los waffles recién cocidos, colóquelos en un recipiente con tapa o bolsa plástica para congelador. Asegúrese de separar los waffles con una hoja de papel encerado entre cada uno. Para recalentar los waffles congelados, colóquelos en el horno precalentado, horno tostador o tostadora hasta que estén calientes.

Para preparar waffles bajos en azúcar y/o cobertura:

- Utilice miel de agave orgánica.
- Utilice conservas, mermeladas o jaleas con bajo contenido de azúcar.
- Utilice frutas secas maceradas tales como higos, dátiles, ciruelas pasas.
- Utilice salsa de manzana o mango.
- Utilice jarabe de arce sin azúcar.

Para preparar waffles bajos en grasa y colesterol:

- Utilice leche descremada, leche de almendras, leche de soja, etc.
- Para adaptar recetas, elimine la yema de huevo. Utilice siempre aceites vegetales líquidos como el de canola, maíz o girasol, en lugar de mantequilla.

Para waffles con elevado contenido de fibra:

- Reemplace la mitad de la harina blanca de la receta por harina de trigo integral.
- Reemplace un cuarto de la harina blanca de la receta por salvado de avena o trigo.
- Utilice frutas secas maceradas ricas en fibra tales como higos, dátiles, ciruelas pasas.

Instrucciones de mantenimiento para el usuario

Este electrodoméstico requiere poco mantenimiento. No contiene piezas que puedan ser reparadas por el usuario. No trate de repararlo usted mismo. Si el producto requiere mantenimiento, consulte a un técnico autorizado para reparar electrodomésticos.

Limpieza y mantenimiento

1. Apague siempre el electrodoméstico, desenchúfelo y déjelo enfriar antes de limpiar.
2. Usted puede quitar fácilmente cualquier exceso de aceite o de migas sin desensamblar el aparato.
3. Nunca sumerja el aparato en agua ni lo coloque en el lavaplatos automático.
4. Use únicamente utensilios de plástico o de madera sobre las placas calefactoras. Los metales pueden dañar las placas.
5. Use un paño suave sobre las placas calefactoras y a veces un brillo para meta destinado a ser usado con acero inoxidable en la parte externa de la cubierta protectora. Nunca use esponjillas abrasivas o de acero.
6. Si hubiera batido endurecido sobre las placas, vierta un poco de aceite y déjelo reposar durante aproximadamente 5 a 7 minutos. Luego lo puede limpiar con una toalla de papel.
7. No use la waflera para fines distintos a hacer waffles.

Recetas

IMPORTANTE: Al final del tiempo de cocción, abra el pestillo y levante la tapa con cuidado; si el batido está pegado, continúe horneando durante 30 segundos.

NOTA: Si el batido es espeso, utilice una espátula para esparcir el batido hacia los bordes.

PRECAUCIÓN: NO LA LLENE EN EXCESO; el batido incrementa su volumen al cocinarse.

NOTA: Las recetas se pueden duplicar o reducir a la mitad.

NOTA: Los waffles se pueden congelar en bolsas plásticas con cierre hermético durante 1 mes como máximo. Recaliente en el horno tostador o en horno a 300 °F (149 °C) hasta que estén calientes y crocantes.

Mezcla básica para waffle

Esta mezcla para waffle fácil de hacer se puede preparar de tantas maneras con apenas unos cuantos ingredientes de su despensa. ¡Pruebe recetas sabrosas y dulces en una forma excepcional de servir este desayuno clásico favorito a cualquier día!

- 3 tazas de harina todo uso
- 1 cucharadita de sal
- 2 Cucharadas de polvo de hornear
- 1/2 taza de azúcar

Mezcle todos los ingredientes juntos y guárdelos en un recipiente estanco hasta que esté listo para usarlos.

Waffles con suero de leche

- 1 1/2 tazas de base para waffle
- 2 huevos
- 4 Cucharadas de mantequilla derretida
- 1/2 taza de suero de leche

1. **En una taza de mezclar, combine todos los ingredientes y bata hasta que la mezcla quede lisa y quede sin grumos.**
2. **En una waflera precalentada, vierta aproximadamente 2 Cucharadas para cada waffle y cueza hasta que los waffles queden dorados (cerca de 2-4 minutos).**

Consejos:

1. **Agregue 1/4 taza de su sabor favorito de mermelada a la masa antes de cocer.**
2. **Coloque sobre los waffles capas de frutas frescas, nueces tostadas, miel, Imibares con sabores o yogurt para un delicioso desayuno o un bocado.**

Waffles con chips de chocolate

- 1 1/2 tazas de Base para waffle
- 1/2 taza de suero de leche
- 4 Cucharadas de mantequilla derretida
- 1/4 taza de chips de chocolate
- 2 huevos

1. **En una taza de mezclar, combine todos los ingredientes y bata hasta que la mezcla quede lisa y quede sin grumos.**
2. **En una waflera precalentada, vierta aproximadamente 2 Cucharadas para cada waffle y cueza hasta que los waffles queden dorados (cerca de 2-4 minutos).**

Recetas

Wafles con arándano

- 1 1/2 tazas de Base para waffle
- 4 Cucharadas de mantequilla derretida
- 2 huevos
- 1/2 taza de suero de leche
- 1/4 de taza de arándano

1. **En una taza de mezclar, combine todos los ingredientes y bata hasta que la mezcla quede lisa y quede sin grumos.**
2. **En una waflera precalentada, vierta aproximadamente 2 Cucharadas para cada waffle y cueza hasta que los waffles queden dorados (cerca de 3-4 minutos).**

Consejos: ¡Cubra con fresas en rebanadas para un delicioso desayuno con bayas!

Wafles livianos y crocantes sin gluten

- 1 taza de harina de arroz integral sin gluten certificada
- 1/2 taza de harina de garbanzos sin gluten certificada
- 1/2 taza de harina de tapioca sin gluten certificada
- 1 cucharadita y media de polvo para hornear
- 1 cucharadita de extracto puro de vainilla
- 1/2 cucharadita de sal fina
- 1 taza de leche
- 1/2 taza de aceite vegetal
- 2 huevos grandes, yemas y claras separadas
- 3 cucharadas de azúcar
- Mantequilla suave sin sal y jarabe, para cubrir

1. **En un tazón grande, mezcle las harinas de arroz, garbanzos y tapioca. Coloque el polvo para hornear, la vainilla y la sal en un tazón grande.**
2. **En otro tazón, bata la leche, el aceite y las yemas de huevo.**
3. **Utilice un tercer tazón para batir las claras de huevo y el azúcar hasta que se formen picos suaves.**
4. **Vierta los ingredientes húmedos en los secos, revolviendo lentamente hasta incorporar la preparación. No mezcle demasiado, es normal que haya algunos grumos.**
5. **Incorpore las claras de huevo batidas.**
6. **Pincele ligeramente con aceite las placas superior e inferior para waffles.**
7. **Vierta 2 cucharadita de batido para waffles en el centro.**
8. **Hornee durante 3 a 4 minutos hasta que los waffles estén dorados.**
9. **Sirva con mantequilla y su jarabe favorito.**

Wafles integrales de manzana

- 1/4 de taza de harina de maíz
- 1/4 de taza de harina de trigo sarraceno
- 1/2 taza de harina de arroz integral
- 1/2 cucharadita de polvo para hornear
- 1/2 de cucharadita de bicarbonato de sodio
- 1/4 de cucharadita de sal
- 1/2 taza de yogur natural sin grasa
- 2 huevos
- 1 cucharada de aceite de canola
- 1 cucharadita de extracto de vainilla
- 1 taza de manzana roja cortada en cubos

1. **En un tazón grande, mezcle las harinas de maíz, de trigo sarraceno y de arroz integral, el polvo para hornear, el bicarbonato de sodio y la sal.**
2. **En un tazón separado, mezcle el yogur, los huevos, las 2 cucharadas de agua, el aceite y la vainilla. Agregue a los ingredientes secos. Incorpore las manzanas.**
3. **Aplicar una cucharadita de aceite en las placas.**
4. **Vierta 2 cucharadita de batido para waffles en el centro de cada uno de los 4 moldes de waffles y cierre la tapa con cuidado.**
5. **Hornee durante 3 a 4 minutos hasta que los waffles estén dorados.**

Recetas

Wafles de nueces y dátiles

- 1 taza de harina común
 - 1 cucharadita de polvo para hornear
 - 1/4 de cucharadita de sal
 - 2 huevos, yemas y claras separadas
 - 1 cucharada de azúcar
 - 1 cucharadita de extracto de vainilla
 - 3/4 de taza de leche
 - 1/4 de taza de mantequilla derretida
 - 1/4 de taza de dátiles sin semilla, picados
 - 1/4 de taza de nueces pecán picadas
1. **Acondicione y precaliente la gofrera.**
 2. **Mezcle la harina, el polvo para hornear y la sal en un tazón.**
 3. **Utilice una batidora eléctrica para batir las claras de huevo hasta que se formen picos suaves. Espolvoree el azúcar y continúe batiendo hasta que esté firme. Incorpore la vainilla.**
 4. **Utilice la batidora para mezclar las yemas de huevo, la leche y el aceite vegetal.**
 5. **Vierta la mezcla con la leche en los ingredientes secos y bata hasta que todo esté ligeramente mezclado.**
 6. **Incorpore cuidadosamente la mezcla de clara de huevo, dátiles y nueces pecán al batido.**
 7. **Aplicar una cucharadita de aceite en las placas.**
 8. **Vierta 1/2 taza de batido para wafles en el centro de cada uno de los 4 moldes de wafles y cierre la tapa con cuidado.**
 9. **Hornee durante 4 a 5 minutos hasta que los wafles estén dorados.**

Wafles con limón y arándanos

- 3/4 de taza de harina común blanqueada
 - 1/4 de taza de fécula de maíz
 - 1/2 cucharadita de sal
 - 1/2 cucharadita de polvo para hornear
 - 1/4 de cucharadita de bicarbonato de sodio
 - 2 cucharaditas de cáscara de limón rayada fina
 - 1 cucharada de jugo de limón fresco
 - 3/8 de taza de suero de leche
 - 3/8 de taza de leche
 - 3 cucharadas de aceite vegetal o mantequilla derretida
 - 2 huevos grandes, yemas y claras separadas
 - 1 cucharada de azúcar
 - 1 cucharadita de extracto de vainilla
 - 1 cucharadita de extracto de limón
 - 1/2 taza de arándanos frescos o congelados
1. **En un tazón mediano, mezcle la harina, la fécula de maíz, la sal, el polvo para hornear, el bicarbonato de sodio, la cáscara de limón y los arándanos secos picados.**
 2. **Mida el suero de leche, la leche, la vainilla y el aceite vegetal en una taza medidora Pyrex; incorpore la yema de huevo y reserve.**
 3. **En otro tazón, bata la clara de huevo casi hasta obtener picos suaves. Espolvoree el azúcar y continúe batiendo hasta que los picos estén firmes y brillantes.**
 4. **Vierta la mezcla del suero de leche en los ingredientes secos y bata hasta que todo esté ligeramente mezclado.**
 5. **Utilice una espátula para agregar la clara batida de a partes a la preparación hasta apenas incorporarla.**
 6. **Aplicar una cucharadita de aceite en las placas.**
 7. **Vierta 2 Cucharadas de batido para wafles en el centro de cada uno de los 4 moldes de wafles y cierre la tapa con cuidado.**
 8. **Hornee durante 3 a 4 minutos hasta que los wafles estén dorados.**



Garantía limitada de DOS AÑOS

Mediante la presente, SENSIO Inc. garantiza que, durante el plazo de **DOS AÑOS** a partir de la fecha de compra, este producto no presentará defectos mecánicos en el material ni en la mano de obra, y durante 90 días, no los presentará en las piezas no mecánicas. A su entera discreción, SENSIO Inc. reparará o reemplazará el producto que resulte defectuoso, o emitirá un reembolso por el producto durante el plazo de garantía.

Esta garantía es válida únicamente para el comprador minorista original a partir de la fecha de compra minorista inicial y no es transferible. Conserve el recibo de compra original, ya que se exige una prueba de compra para obtener la validación de la garantía. Las tiendas minoristas no tienen derecho a alterar, modificar ni corregir de ninguna manera los términos y condiciones de la garantía.

EXCLUSIONES:

La garantía no cubre el desgaste normal de las piezas ni el daño ocasionado por cualquiera de las siguientes causas: uso negligente del producto, uso de un voltaje o corriente incorrectos, mantenimiento de rutina inadecuado, uso contrario al de las instrucciones de funcionamiento, desarmado, reparación o alteración a cargo de personas que no sean miembros del personal calificado de SENSIO Inc. Asimismo, la garantía no cubre actos de la naturaleza, como incendios, inundaciones, huracanes o tornados.

SENSIO Inc. no asumirá responsabilidad por daños incidentales o resultantes ocasionados por la violación de cualquier garantía expresa o implícita. Salvo en la medida en que lo prohíban las leyes aplicables, cualquier garantía implícita de comerciabilidad o aptitud para un propósito particular se limita temporalmente a la duración de la garantía. Algunos estados, provincias o jurisdicciones no permiten la exclusión ni la limitación de daños incidentales o resultantes, o limitaciones sobre la duración de una garantía implícita y, por lo tanto, es posible que las exclusiones o limitaciones mencionadas no le correspondan. La garantía cubre derechos legales específicos que pueden variar de un estado, una provincia o una jurisdicción a otros.

CÓMO OBTENER EL SERVICIO DE GARANTÍA:

Debe comunicarse con el Servicio de atención al cliente a nuestro número telefónico gratuito: 1-866-832-4843. Un representante del Servicio de atención al cliente intentará resolver los problemas referidos a la garantía por teléfono. Si este no puede resolver el problema, le proporcionarán un número de caso y le solicitarán que devuelva el producto a SENSIO Inc. Adhiera una etiqueta al producto que incluya: su nombre, dirección, número telefónico de contacto durante el día, número de caso y descripción del problema. Además, incluya una copia del recibo de compra original. Envuelva cuidadosamente el producto etiquetado con el recibo de compra, y envíelo (con el envío y el seguro prepagados) a la dirección de SENSIO Inc. SENSIO Inc. no asumirá obligación ni responsabilidad alguna por el producto devuelto que esté en el trayecto hacia el Centro de servicio al cliente de SENSIO Inc.

BELLA



GRACIAS

por su compra

REGISTRARSE



para recibir anuncios especiales y recetas de moda!

¡CUÉNTENOS LO QUE PIENSA!



Reseñas, comentarios o hacernos alguna pregunta

VISITE: bellahousewares.com

#myBELLAlife



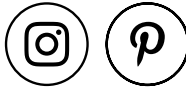
BellaLifestyle



BellaLife



BellaLife



BellaLifestyle



bellahousewares.com

For customer service questions or comments

Dudas o comentarios contactar el departamento de servicio al cliente

1-866-832-4843 / help@bellahousewares.com