

**PLEASE READ AND SAVE
ALL INSTRUCTIONS!**

**LISEZ ET CONSERVEZ
TOUTES LES INSTRUCTIONS!**

**¡POR FAVOR LEA Y
GUARDE TODAS
LAS INSTRUCCIONES!**

AIR-O-SWISS 
ADVANCED AIR TREATMENT SYSTEMS



AOS S450

To Buy: Contact Sylvane at 800-934-9194 or visit www.sylvane.com
For Product Support: Contact Air-O-Swiss at 800-336-0326

Instructions for use (7 – 16)

en

Instructions d'utilisation (17 – 26)

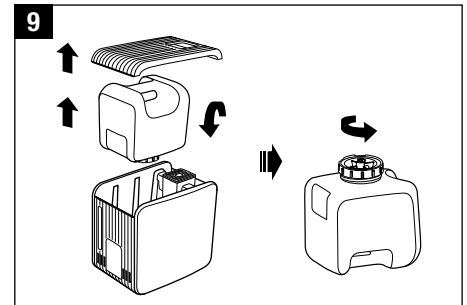
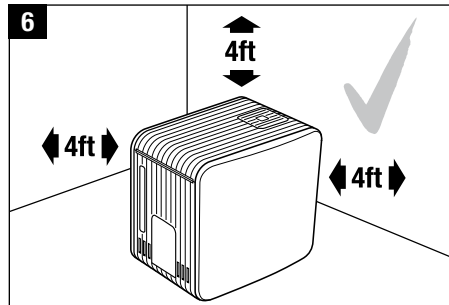
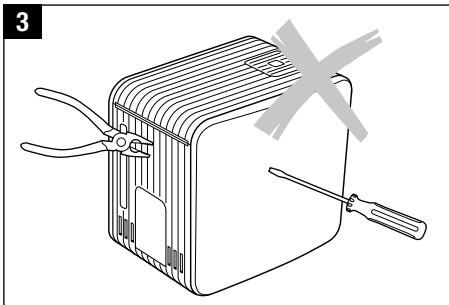
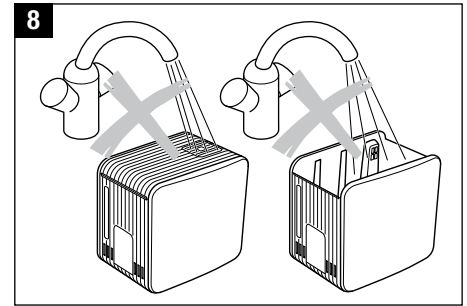
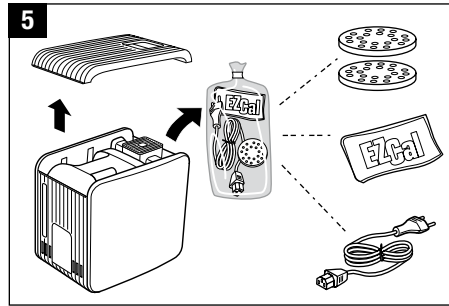
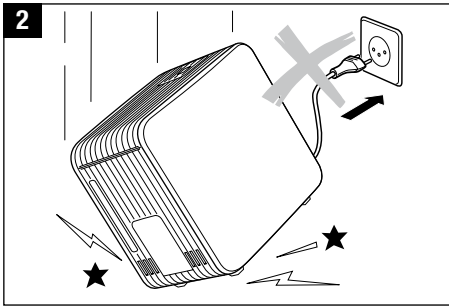
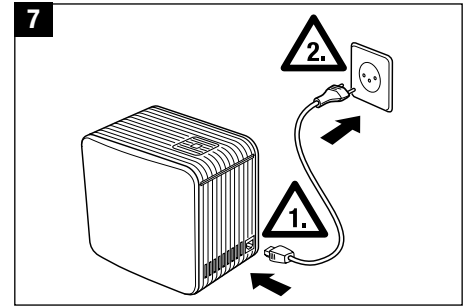
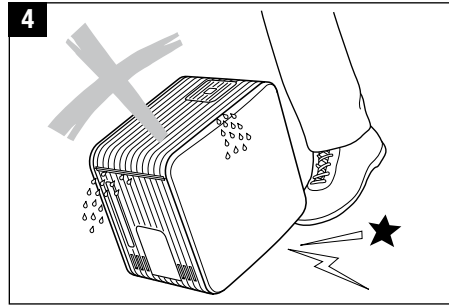
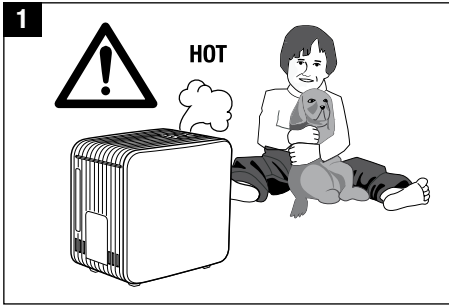
fr

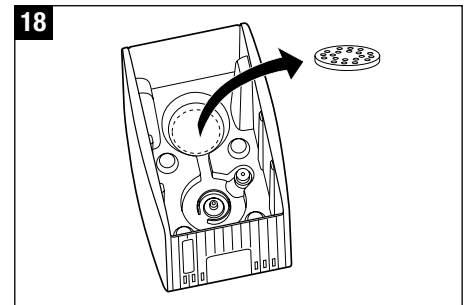
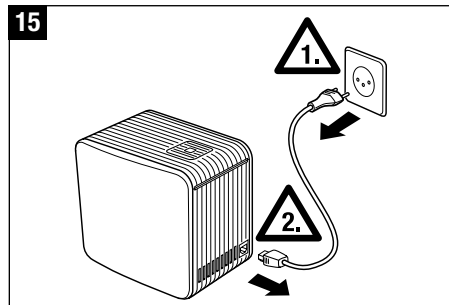
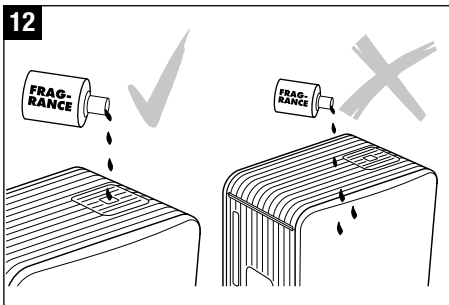
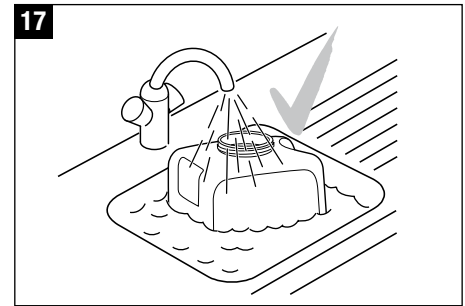
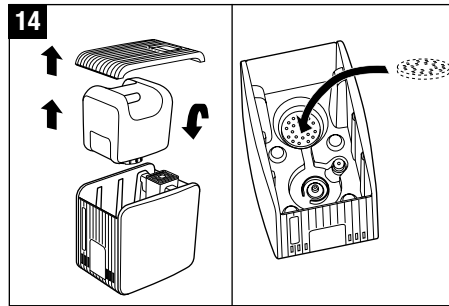
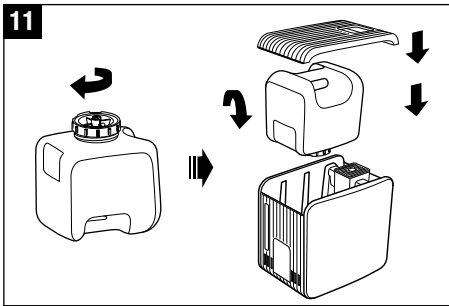
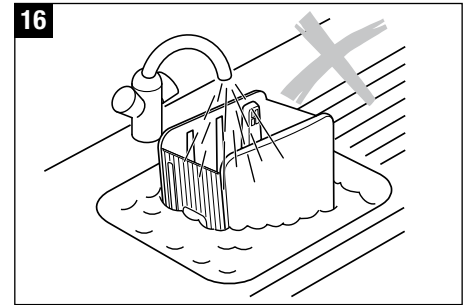
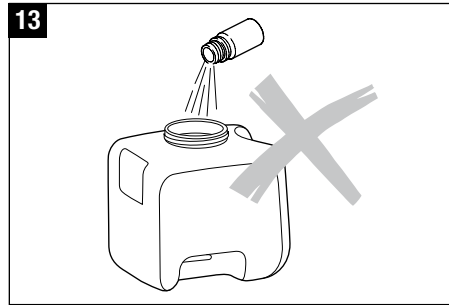
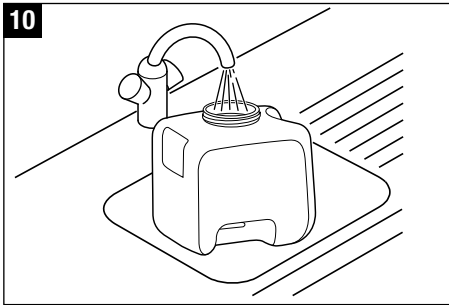
Instrucciones para el uso (27 – 36)

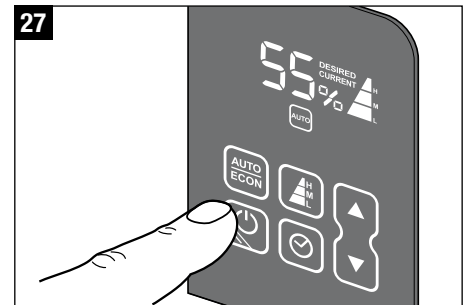
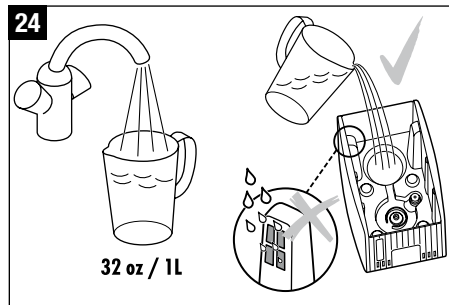
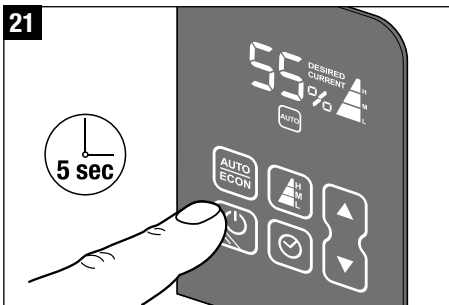
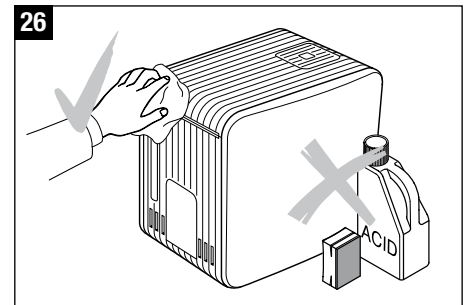
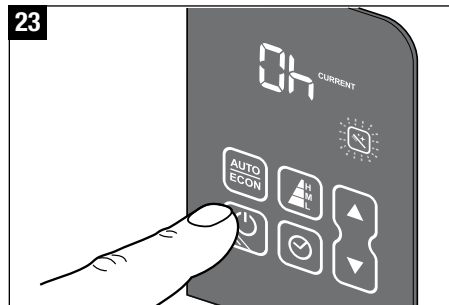
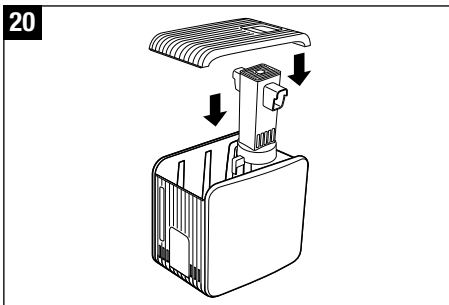
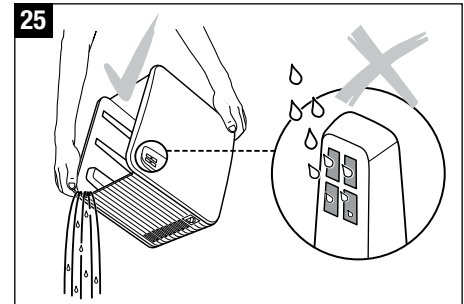
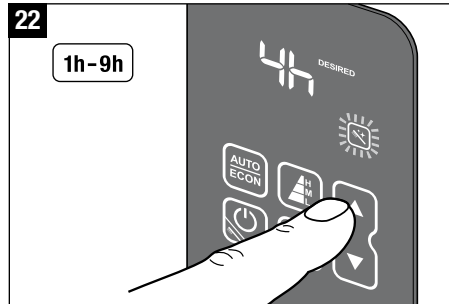
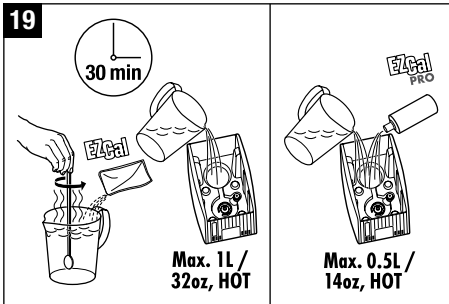
es

Illustrations (1 – 27)









PLEASE READ AND SAVE ALL THESE INSTRUCTIONS!

Important safety instructions

- Read the operating instructions carefully before using the appliance and keep them in a safe place for later reference.
- Connect the appliance only to AC – with voltage indicated on the rating label.
- Always plug the power cord into the appliance first before connecting it to the electrical outlet. **CAUTION:** A sound from the unit indicates that the appliance is supplied with power.
- Only use the appliance indoors and within the parameters stated in the technical specifications. Using the appliance for a purpose for which it is not intended could pose a serious hazard to health and life.
- This appliance is not to be used by persons (including children) with impaired physical, sensory or mental capacities or insufficient experience and knowledge. Children should be supervised to ensure that they do not play with the appliance (fig. 1).
- Never use the appliance if there is any damage to the appliance or cable, after malfunction has occurred, after the appliance has been dropped (2) or damaged in any other way.
- Only use the original power cord.
- This appliance has a polarized plug (one blade is wider than the other). To reduce risk of shock, this plug is intended to fit in a polarized outlet only one way. If the plug does not fit fully in the outlet, reverse the plug. If it still does not fit, contact a qualified electrician. **DO NOT** attempt to defeat this safety feature.
- A loose fit between the plug (receptacle) and the AC outlet may cause overheating and a distortion of the plug. Contact a qualified electrician to replace loose or worn receptacles.
- ALWAYS unplug before removing/filling/emptying the water tank, before cleaning/maintaining, assembling/

dismantling of individual parts and before moving the appliance.

- In case the power cord is damaged, it must be replaced by the manufacturer, an authorized service dealer or a similarly qualified person, in order to avoid a hazard.
- Only operate the appliance when it is completely assembled.
- Repairs to electrical appliances may only be carried out by qualified service engineers (3). Improper repair work can pose a considerable hazard to the user.
- Never pull the plug from the electrical socket by the cable or with wet hands.
- Do not operate the appliance with wet hands.
- Always place the appliance on a dry, level surface.
- Do not immerse the main body in water or other liquids (16).
- Position the appliance where it cannot be easily knocked over (4).
- Do not run the power cord under a carpet or other objects. Position the appliance so that you will not trip over the cord.
- Do not use the appliance in areas where combustible materials, gases or vapours are present.
- Do not sit, stand or place any heavy objects on the appliance (keep the steam outlet clear).
- Caution: The surfaces of the unit are hot during operation.
- During operation, do not put the power cable on top of the appliance because of a danger of fire and short circuit.
- Do not use an extension cord.
- Do not place the unit on hot surfaces or near open flames. Keep a minimum distance of 4ft.
- Never immerse the appliance or cable into water or any other liquids because of danger of injury, fire or electric shock.

- Only use original spare parts.
- Before cleaning, unplug the power cord and let the unit cool completely off.
- Do not move the appliance during operation.
- The manufacturer rejects all liability for damage caused by nonobservance of these instructions for use.

Foreword

Congratulations on choosing the S450 appliance. In doing so, you have taken an important step towards healthy indoor air and more wellbeing.

Proper use:

The appliance must only be used for the humidification of the air indoors.



Caution: Hot steam and boiling water!

Do not allow the appliance to be used by children. Steam and boiling water can lead to burns.

Unpacking

- Carefully remove the unit from its box.
- Remove the unit from the plastic wrapping. Note: the top cover of the unit is removable.
- Remove the accessories from inside the unit (5).
- Remove all packaging materials.

Description of the appliance/ Scope of delivery



Only operate the appliance when it is completely assembled.

Steam pipe cover with fragrance container

Steam outlet

Top cover

Water tank

Water tank cap

Steam pipe

Anti-Mineral-Pad

Ventilation opening

Water level indicator

Control Panel

Ventilation openings

EzCal

EzCal
PRO

Optional

Optional

Water base

Steam tray

Anti-Mineral-Pad

Water level sensor

Power cord

Putting into operation



Please make sure to observe all safety instructions!



Use the appliance only on a flat and stable surface that is water and heat resistant. Keep a minimum distance of 4ft from walls, furniture, and curtains (risk of moisture damage) (6). Caution: Knocking the unit over can cause scalding due to hot water.



Always plug the power cord into the appliance first, before connecting it to the electrical outlet (7). Caution: Insert the plug fully into the unit! A sound from the unit indicates that the appliance is supplied with power.



Please note that the appliance will produce louder operating noises for the first few minutes during commissioning.

Filling and refilling the tank with water



Caution: Only fill the water tank with fresh, cold tap water. Do not use carbonated mineral water or any other liquids.



Caution: Hot after usage!

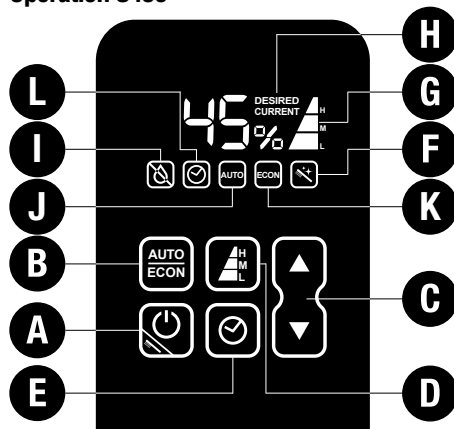


Caution: Never pour any water into the ventilation openings since this can damage the appliance.

Always fill water right into the tank. Never pour water directly into the unit or into the steam pipe (8).

- Make sure that the unit is turned off.
- Remove the top cover of the unit (Note: formation of condensation may occur after use on the inside of the cover) and take the water tank from the unit by using the tank handle (9).
- Turn the water tank upside down, unscrew the cap and fill with water (9 – 10).
- Close the tank cap securely, place the tank into the unit and put the cover back on (11).

Operation S450



A) Switch on/off

Pressing button A switches the appliance either on or off. Button A is also used to start the decalcification mode. See the section about «Decalcification Mode» (18 – 25). After the unit is switched on, it is in AUTO-Mode (symbol J).

B) AUTO- / ECON-Mode

AUTO-Mode:

After the unit is switched on, it is in AUTO-Mode (symbol J). The desired relative humidity (rH) is preset to 50%. The unit chooses the appropriate output level Low «L» / Medium «M» / High «H» (symbol G), in order to attain the value of 50% rH as quickly as possible.

In AUTO-Mode, the rH can be changed at any time by using button C; see C) Setting humidity level. If the output level is changed by using button D, the AUTO-Mode turns off and the unit is operated manually; see D) Manual operation. By pressing button B, the AUTO-Mode can be reactivated.

ECON-Mode

By pressing button B, the AUTO-Mode can be changed to ECON-Mode (symbol K) and vice versa. In the ECON-Mode, the desired relative humidity (rH) is preset to 45%. The unit chooses the appropriate output level Low «L» / Medium «M» (symbol G), in order to attain the value of 45% rH as energy-efficiently as possible.

In ECON-Mode, the rH can be changed at any time by using button C; see C) Setting humidity level. If the output level is changed by using button D, the ECON-Mode turns off and the unit is operated manually; see D) Manual operation. By pressing button B two times, the ECON-Mode can be reactivated.

C) Setting humidity level

The appliance is equipped with a hygrostat. This measures the relative humidity and switches the appliance off automatically when the desired value is reached. The internal ventilation remains turned on, to ensure an accurate reading of the relative humidity. If the relative humidity falls below the desired value, humidification resumes automatically. The desired relative humidity can be adjusted in steps of 5% by pressing button B. While selecting the desired humidity output, the value display is blinking. The word DESIRED appears on the display (symbol H). After a few seconds, the display automatically changes to show the current value (symbol H). Upon reaching the desired relative humidity, the display shows DESIRED and CURRENT.

A relative humidity of between 40 and 60% is recommended. The setting for the relative humidity ranges from a minimum of 30% to a maximum of 70% relative humidity or «CO» continuous mode.

Symbol E2

When the display shows «E2», the current relative humidity has reached 90%. For safety reasons, the appliance switches off automatically. The appliance switches back on, when the relative humidity falls below 85%.

Quick display of the current relative humidity

When the unit is switched off (power cable is connected), the current relative humidity can be shown on the display by briefly pressing one of the C buttons. This display goes out automatically after a few seconds.

D) Manual operation

The appliance can be operated on 3 levels. The output levels Low «L» (night operation), Medium «M» (normal operation), and High «H» (power operation) can be selected by pressing button D (AUTO- and ECON-Mode are deactivated). The desired output level is shown on the display via symbol G.

E) Timer

The appliance has an OFF- and an ON-Timer.

OFF-Timer:

The OFF-Timer is set by pressing button E on the switched-on appliance. The blinking display shows the hours until the unit will be switched off: 0h. By pressing button C, the switch-off time can be selected from between 0h -9h. Without any input, the set value is enabled after 3 seconds and symbol L indicates that the timer is turned on. The display once again shows the current relative humidity. By pressing button E, the remaining time until switch-off is displayed and can also be adjusted.

ON-Timer

By pressing button E on the turned-off appliance, the ON-timer is set. The blinking display now shows the hours until the unit will be switched on: 0h. By pressing button C, the switch-on time can be selected from between 0h-9h. Without any input, the set value is enabled after 3 seconds. The display shows the set switch-on time and the symbol L is blinking. After the unit is switched on, the unit is in AUTO-Mode (symbol J).

F) Cleaning symbol (see also section about Decalcification-Mode)

The letter F in the display indicates that the appliance must be cleaned. The symbol appears until the Decalcification-Mode is completed. By pressing both C buttons simultaneously and holding them down for approx. 5 seconds, the cleaning symbol can be manually reset.

G) Output level symbol

H) Current and desired relative humidity symbol

I) Automatic shut-off «Water Tank empty»

If the water level falls below minimum level, the humidification switches off automatically. The red blinking symbol I appears on the display. If water is not added within 5 minutes, the display turns off, except for the symbol I. If water is added, symbol I turns off and the appliance continues operating.

J) AUTO-Mode symbol

K) ECON-Mode symbol

L) Timer symbol

Fragrance container

- The steam pipe cover contains an integrated fragrance container.
- Fill only a small amount of fragrance into the fragrance container and do not overfill (12).
- Caution! Do not put any fragrance directly into the water tank, water base or steam tray, as this can damage the material and consequently the appliance (13).

Anti-Mineral-Pad



CAUTION: The steam tray contains boiling water! Remove the Anti-Mineral-Pad only when the water in the steam tray has cooled off. Place only one Anti-Mineral-Pad into the steam tray.

The Anti-Mineral-Pad absorbs a large part of the resulting lime scale while in operation. The Anti-Mineral-Pad reduces excessive calcification of the steam tray as well as the frequency of necessary decalcification. In order to insert the Anti-Mineral-Pad, remove the top cover as well as the water tank and the steam pipe from the unit (14). Now insert the supplied Anti-Mineral-Pad directly into the steam tray and reassemble the appliance in the reversed order (14). The Anti-Mineral-Pad needs to be replaced as soon as it is completely full of lime (Anti-Mineral-Pad hardens). Depending on the hardness of the water, this needs to be done every 2 to 4 weeks. The Anti-Mineral Pad can be disposed with the Household waste.

Cleaning



Always disconnect the power plug of the appliance, before cleaning or rinsing (15).



The unit has to be completely emptied and cooled off. Caution: Danger of burning!



Caution: Never pour any water into the ventilation openings since this can damage the appliance (24 – 25).



Important: Do not use any abrasive objects (knives etc.) or sponges to clean the steam tray.



Never immerse the appliance in water or any other liquids (16).

- Regular cleaning is essential for hygienic, problem-free operation.
- Depending on water quality, regular decalcification of the appliance is recommended (see Decalcification-Mode).

Cleaning of water tank and covers – weekly (15 – 25)



Clean the water tank, top cover, fragrance container and steam pipe with a soft plastic brush and dish detergent and rinse well (17).

Decalcification-Mode

Only use EZCal and EZCal Pro for decalcification. Damage that is caused by the use of other cleaning agents is not covered by the warranty.

The **Decalcification-Mode** enables simple cleaning and decalcification of the steam tray, water base, and steam pipe.

The Anti-Mineral-Pad needs to be removed, before starting the Decalcification-Mode (18) (see section about Anti-Mineral-Pad). Dissolve the EZCal or EZCal Pro decalcification agents in 32 oz / 1 L of warm water and pour into the water base (19). Then reinsert the steam pipe and top cover (20). Pressing and holding button A for 5 seconds switches the appliance to Decalcification-Mode (21). Decalcification-Mode is shown on the display by the flashing symbol E (22). The value «4h» is shown flashing on the display. Button C can be used to change the decalcification period from 1h to 9h, depending on the level of soiling (22). After 3 seconds without further input, the set value is taken as «desired value» and the flashing display changes back to «CURRENT». The unit heats up the EZCal and EZCal Pro-water solution during Decalcification-Mode and shuts off after it is finished. The heating of the water takes place every 30 minutes while the Decalcification-Mode is active. The cleaning period is now permanently displayed and switches to minutes when the time falls below the 1 hour mark. The cleaning period can be changed at any time by pressing button C. At the end of the cleaning period, a short double signal is sounded, the display shows the value «0h» and the cleaning symbol E will rapidly flash (23). Press-

ing button A ends the Decalcification-Mode and switches off the appliance (23).

CAUTION: The water base must now be emptied of the EZCal and EZCal Pro and rinsed (24 – 25). Make sure no water enters through the ventilation opening (25). Tip: In case of excessive lime scale, decalcify overnight (12 to 15 hours).

Cleaning the housing – once or twice annually (26).

Clean the housing with a damp rag and wipe it dry; use a cleaning agent suitable for plastic if needed.

After usage

- Switch the appliance off by pressing button A (27).
- Disconnect power plug (15).
- Wait until the appliance has completely cooled off.
- Empty any remaining water and clean the water tank and the water base. Decalcify if necessary.
- Let the appliance dry.

Storing the appliance for extended periods

Clean the appliance as described earlier and allow to dry thoroughly. Preferably store the appliance in its original box, in a dry place away from high temperatures.

Accessories

Contact your local retailer or check our website www.airoswiss.net for reorder information.

Legal notice

The appliance is cETL-listed.

Subject to technical change. The instructions for use are protected by copyright © PLASTON AG.

Serial number

The serial number is placed on the bottom of the appliance.

Customer Service

Customer Service (USA) 1-800-336-0326

www.airoswiss.net

Technical data

Electrical voltage	120 V / 60 Hz
Power consumption up to	160 – 480 W
Humidity output up to	3.5 gallons / 24h (13.2 L / 24 h)
Suitable for rooms up to	860 sq ft (80 m ²)
Dimensions (LxWxH)	14 x 9.5 x 13.2 inches (35.5 x 24 x 33.4 cm)
Weight (empty)	10 lbs (4.5 kg)
Operating noise level	< 35 dB(A)
Accessories	Anti-Mineral-Pad A451 EZCal A7417 EZCal Pro A100

General Humidifier Questions

Q. Why isn't there enough moisture in my room?

A. How often do you run the unit? If the unit is only run at night, then during the day the moisture level will drop if moisture is not constantly added to the air.

Q. Do you leave your door open or closed when the unit is running?

- A. a) By leaving the door open, this allows moisture to leave the room and go into other areas of the house. If you would like the moisture to stay within one specific room you should consider closing the door while the unit is running.
- A. b) Wood, leather, carpet, curtains, and other types of fabric soak up a lot of moisture, thus not leaving enough moisture for the air. If the window is left open, then this allows moisture to escape the room. Another factor is a lot of times the unit is placed next to a heating device. The idea is that the air blowing into the room will quickly place moisture around the room. Unfortunately, this concept does not work because the hot air coming out of a vent will soak up most of the moisture, and none of the air within the room will receive any.

Q. How much moisture do I need in my room?

A. Suggested humidity levels are between 40 – 60%.

Q. What are the effects of too little or too much humidity?

A. Dry air can cause dry skin, static electricity, out of tune musical instruments, increased levels of dust (dry air causes dust to rise), damage to wooden objects (dry out and eventually cracks appear), discomfort, sickness, and dries out nasal membranes. Over-humidifying the air can cause mold and wallpaper to peel.

Q. Why do I need a humidifier when I can just open my window?

A. The moisture level within the outside air is not high enough to humidify a room. The colder the air the less moisture it is capable to hold, and the more the air is heated up the percentage of relative humidity is lower. Relative humidity means the amount of water vapor in the air, compared to the amount the air could hold if it was totally saturated. The difference is higher between outside and inside temperatures; more humidification is needed because of the dry air in the room.

Q. Where should I place my humidifier?

A. The unit should be free-standing and not close to a wall, window, door, or thermal bridge so that air may circulate around the unit.

Steam Humidifier Questions

Q. There is no fill-line on the water tank, how far may I fill it up?

A. There is no fill line on the water tank, and it may be filled all the way to the top.

Q. Humidity level is not changing or does not reach the desired humidity level.

A. If the water tank needs refilling more than once per day, the unit is working properly and the climatic condition in the room has an influence on the humidity.

Reasons for low humidity level:

- air circulation is very high (air is fully exchanged several times per day – the humidifier needs to start its work from scratch)
- insulation of home (see air circulation)
- open space with high ceilings (not only the footage of the room counts but also the height) – high-rise buildings require more humidification.
- open windows – works similar to air circulation (if it is very cold outside don't open the window more than 2 times per day for 3 minutes)

- big difference between outside temperature and inside temperature – the colder the air the less moisture it is capable to hold and the more the air is heated up the lower is the percentage of relative humidity (=the amount of water vapor in the air, compared to the amount the air could hold if it was totally saturated)
- position of the unit - if it is placed close to a door, window or air vent. This increases the air circulation.

Q. No mist / unit is not working

- If the unit is not working and the empty light is not flashing you might have set the desired humidity too low and the current humidity level in the room is higher. That is why the unit switches off automatically.

Q. Water tank cap is too tight to unscrew

A. This could be a cause of the air pressure within the water tank. Press the spring on the bottom of the water tank cap to release air from the water tank. Continue to do this until you are able to unscrew the water tank cap.

Accessories

Q. What is EZCal and EZCal Pro?

A. There is a sample packet of EZCal included in the packaging of your humidifier. EZCal and EZCal Pro are used for cleaning and descaling any of the humidifiers and cleans mineral build-up. EZCal and EZCal Pro are the only recommended cleaning and descaling solutions. Do NOT use any other cleaning solution since it can damage the product. Any use of cleaning solutions apart from EZCal and EZCal Pro will void the warranty. Instructions for using are on the packet. Only use 1 packet for 32oz of water. Do not change the ratio. It can also be used for other humidifier brands. Thoroughly rinse the base with tap water and make sure no EZCal and EZCal Pro residues remains in the base! EZCal and EZCal Pro are available at selected retail stores and online www.airowiss.net.

LISEZ ET CONSERVEZ TOUTES LES INSTRUCTIONS!

fr

Consignes de sécurité importantes

- Lisez attentivement le mode d'emploi complet avant la mise en service, et conservez-le bien pour pouvoir le consulter ultérieurement.
- Ne branchez l'appareil qu'au courant alternatif – la tension doit correspondre à celle indiquée sur la plaquesignalétique de l'appareil.
- Branchez toujours d'abord le cordon d'alimentation à l'appareil avant de le brancher dans la prise de courant. MISE EN GARDE : L'appareil émet un son qui indique qu'il est maintenant sous tension.
- N'utilisez l'appareil que dans des locaux d'habitation et dans les conditions précisées dans les spécifications techniques. Une utilisation non conforme aux spécifications peut mettre en danger la santé et la vie.
- Cet appareil n'est pas conçu pour des personnes (y compris des enfants) ayant des facultés corporelles, sensorielles ou mentales diminuées ou une expérience et des connaissances insuffisantes, sauf si une personne responsable de leur sécurité les surveille ou les assiste pendant l'utilisation de cet appareil. Les enfants doivent être surveillés pour s'assurer qu'ils ne jouent pas avec cet appareil (figure 1).
- Ne mettez jamais l'appareil en service lorsqu'un câble ou l'appareil est détérioré, ni après des dysfonctionnements ou lorsque l'appareil a été échappé (2) ou autre dommage quelconque de l'appareil.
- N'utilisez que le cordon d'alimentation d'origine.
- La fiche de cet appareil est polarisée (une lame est plus large que l'autre). Afin de réduire les risques de chocs électriques, cette fiche est conçue de façon à ne pouvoir être introduite dans une prise que d'une seule manière. Si la fiche ne s'insère pas totalement dans la prise, retournez-la. Si elle ne s'insère toujours pas dans la prise, contactez un électricien qualifié. N'essayez PAS de contourner ce dispositif de sécurité.
- Une mauvaise adaptation entre la fiche et la prise

- CA peut entraîner une surchauffe et une déformation de la fiche. Contactez un électricien qualifié pour le remplacement de toute prise lâche ou trop usée.
- Si le cordon d'alimentation est endommagé, il doit être remplacé par le fabricant, un distributeur de service autorisé ou par une personne qualifiée de façon similaire afin d'éviter les risques de danger.
- L'appareil doit être mis en service uniquement lorsqu'il est entièrement assemblé.
- Débranchez TOUJOURS la prise avant d'enlever, de remplir et de vider le réservoir d'eau; avant de nettoyer, d'effectuer la maintenance, l'assemblage, le désassemblage des pièces et avant de déplacer l'appareil.
- Les réparations d'appareils électriques ne doivent être exécutées que par des experts autorisés (3). Des réparations non professionnelles peuvent causer des dangers considérables pour l'utilisateur.
- Ne débranchez jamais la prise au secteur en tirant sur le câble ou lorsque vos mains sont mouillées.
- Ne faites pas fonctionner l'appareil avec les mains mouillées.
- Ne posez l'appareil que sur une surface sèche et plane.
- Ne plongez jamais le boîtier principal dans de l'eau ou d'autres liquides (16).
- Placez l'appareil à un endroit tel que personne ne puisse le heurter (4).
- Ne mettez pas le cordon d'alimentation sous un tapis ou tout autre objet. Placez le cordon de sorte que personne ne puisse trébucher.
- N'utilisez pas l'appareil dans des pièces renfermant des produits, gaz ou vapeurs inflammables.
- Ne montez pas, ne vous assoyez pas et ne posez pas d'objets lourds sur l'appareil (gardez la sortie de vapeur libre).
- Mise en garde : Pendant son fonctionnement, les surfaces de l'appareil sont chaudes.
- Pendant son fonctionnement, ne placez pas le cordon

- d'alimentation sur le dessus de l'appareil, car ceci pourrait occasionner un danger d'incendie et de court-circuit.
- N'utilisez pas de rallonges électriques.
- Ne placez pas l'appareil sur des surfaces chaudes ou à proximité de flammes nues. Respectez une distance minimale de 4 ft.
- N'immergez jamais l'appareil ou le cordon d'alimentation dans de l'eau ou dans tout autre liquide, car ceci pourrait occasionner un danger de blessure, d'incendie ou de chocs électriques.
- Seules les pièces de rechange d'origine du fabricant peuvent être utilisées.
- Avant le nettoyage, débranchez le cordon d'alimentation et permettez à l'appareil de se refroidir complètement.
- Ne déplacez pas l'appareil pendant qu'il est en marche.
- Le fabricant décline toute responsabilité pour les dommages découlant du non-respect de ce mode d'emploi.

Avant-propos

Nous vous félicitons d'avoir choisi l'appareil S450. Vous avez ainsi fait un pas important vers un air intérieur sain et plus de bien-être.

Utilisation conforme :

L'appareil sert exclusivement à l'humidification de l'air ambiant dans des espaces intérieurs.



Mise en garde : Vapeur chaude et eau bouillante!

Ne permettez pas aux enfants d'utiliser cet appareil. De la vapeur et de l'eau bouillante peuvent occasionner des brûlures.

Désemballage

- Retirez l'appareil de la boîte avec soin.
- Retirez l'appareil de l'emballage en plastique. Remarque : Le couvercle supérieur de l'appareil est amovible.
- Retirez les accessoires de l'intérieur de l'appareil (5).
- Retirez tous les matériaux d'emballage.

Description de l'appareil/Volume de la livraison



L'appareil doit être mis en service uniquement lorsqu'il est entièrement assemblé.

Le couvercle du tuyau de conduite de vapeur pourvu d'un réservoir de parfum

Sortie de vapeur

Couvercle du dessus

Réservoir d'eau

Bouchon du réservoir d'eau

Tuyau de conduite de vapeur

Coussinet Anti-Minéral

Ouverture de ventilation

Indicateur du niveau d'eau

Panneau de commande

Ouvertures de ventilation



En option



En option

Base d'eau

Plateau de vapeur

Coussinet Anti-Minéral

Capteur du niveau d'eau

Cordon d'alimentation

Mise en service



Veillez vous assurer d'observer toutes les consignes de sécurité!



Utilisez l'appareil seulement sur des surfaces planes, stables, résistantes à l'eau et à la chaleur. Respectez une distance minimale de 4 ft des murs, des meubles et des rideaux (risques de dommages d'humidification) (6).
Mise en garde : Renverser l'appareil peut causer un ébullition entrainé par l'eau chaude.



Branchez toujours d'abord le cordon d'alimentation à l'appareil avant de le brancher dans la prise de courant (7). Mise en garde : Insérez la fiche complètement dans l'appareil! L'appareil émet un son qui indique qu'il est maintenant sous tension.



Veillez noter que lors de la mise en service, l'appareil fait un peu plus de bruit pendant les premières minutes.

Remplissage et remplissage à nouveau du réservoir d'eau



Mise en garde : Pour remplir le réservoir, n'utilisez que de l'eau fraîche froide et potable du robinet. N'utilisez pas d'eau minérale pétillante ni aucun autre liquide.



Mise en garde : Chaud après usage!

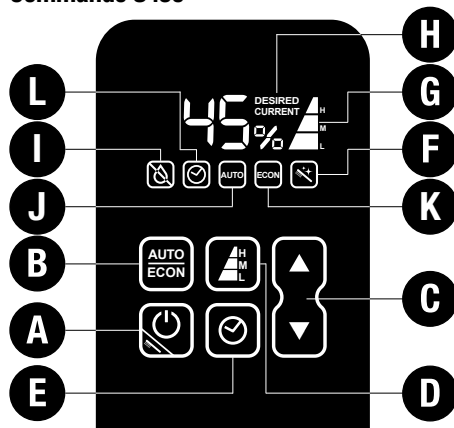


Mise en garde : Ne versez jamais d'eau dans les ouvertures de ventilation, car ceci pourrait endommager l'appareil.

Remplissez toujours le réservoir d'eau directement. Ne versez jamais d'eau directement dans l'appareil ou dans un tuyau de conduite de vapeur (8).

- Assurez-vous que l'appareil est éteint.
- Enlevez le couvercle du dessus de l'appareil (remarque : après usage, une formation de condensation pourrait avoir lieu sur l'intérieur du couvercle) et veuillez prendre le réservoir d'eau de l'appareil en utilisant la poignée du réservoir (9).
- Renversez le réservoir d'eau, dévissez le bouchon et remplissez-le d'eau (9 – 10).
- Fermez solidement le bouchon du réservoir; placez le réservoir à l'intérieur de l'appareil et remettez le couvercle (11).

Commande S450



A) Interrupteur marche/arrêt

Appuyez sur la touche A pour activer l'appareil sur marche ou arrêt. La touche A sert aussi à commencer le mode de décalcification. Voir le chapitre « Mode de décalcification » (18 – 25). Lorsque l'appareil est activé, il est en mode AUTO (symbole J).

B) Mode AUTO / ECON

Mode AUTO :

Lorsque l'appareil est activé, il est en mode AUTO (symbole J). L'humidité relative souhaitée (HR) est pré-réglée à 50 %. L'appareil sélectionne le niveau approprié de débit : Low « L » / Medium « M » / High « H » (symbole G), afin d'atteindre la valeur de 50 % HR le plus rapidement possible. Dans le mode AUTO, HR peut être modifiée en tout temps en utilisant la touche C; voir C) Réglage du niveau d'humidité. Si le niveau de débit est modifié par l'usage de la touche D, le mode AUTO s'éteint et l'appareil s'opère manuellement; voir D) Opération manuelle. En appuyant sur la touche B, le mode AUTO peut être réactivé.

Mode Econ

En appuyant sur la touche B, le mode AUTO peut être changé au mode ECON (symbole K) et vice versa. Dans le mode ECON, l'humidité relative souhaitée (HR) est pré-réglée à 45 %. L'appareil sélectionne le niveau approprié de débit : Low « L » / Medium « M » (symbole G), afin d'atteindre la valeur de 45 % HR en utilisation rationnelle de l'énergie possible.

Dans le mode ECON, HR peut être modifiée en tout temps en utilisant la touche C; voir C) Réglage du niveau d'humidité. Si le niveau de débit est modifié par l'usage de la touche D, le mode ECON s'éteint et l'appareil s'opère manuellement; voir D) Opération manuelle.

En appuyant deux fois sur la touche B, le mode ECON peut être réactivé.

C) Réglage du niveau d'humidité

L'appareil est muni d'un hygrostat. Ceci mesure l'humidité relative et éteint l'appareil automatiquement lorsque la valeur souhaitée est atteinte. La ventilation interne reste allumée pour assurer une lecture précise de l'humidité relative. Dans le cas où l'humidité relative est inférieure à la valeur souhaitée, l'humidification recommence automatiquement. L'humidité relative souhaitée peut être réglée en étapes de 5 % en appuyant sur la touche B. Pendant la sélection du débit de l'humidité souhaité, la valeur sur l'écran clignote. Le mot DESIRED apparaît sur l'écran (symbole H). Après quelques secondes, l'écran change automatiquement et affiche la valeur actuelle (symbole H). Lorsque l'humidité relative souhaitée est atteinte, l'écran affiche DESIRED et CURRENT.

Une humidité relative entre 40 % et 60 % est recommandée. La plage de réglage de l'humidité relative est d'un minimum de 30 % à un maximum de 70 % d'humidité relative ou fonctionnement continu « CO ».

Symbole E2

Lorsque l'écran affiche « E2 », l'humidité relative actuelle a atteint 90 %. Pour des raisons de sécurité, l'appareil se désactive.

automatiquement. L'appareil se rallume, lorsque l'humidité relative est inférieure à 85 %.

Affichage rapide de l'humidité relative actuelle

Lorsque l'appareil est désactivé (le cordon d'alimentation est branché), il est possible d'afficher l'humidité relative actuelle à l'écran par une brève pression d'une des touches C. Cet affichage s'éteint automatiquement après quelques secondes.

D) Opération manuelle

Cet appareil peut fonctionner sur 3 niveaux. Les niveaux de débit Low « L » (fonctionnement de nuit), Medium « M » (fonctionnement normal), et High « H » (fonctionnement à pleine puissance) peuvent être sélectionnés en appuyant sur la touche D (modes AUTO et ECON sont désactivés). Le niveau de débit souhaité est affiché sur l'écran par le symbole G.

E) Minuterie

L'appareil est pourvu d'une minuterie MARCHE et ARRÊT

Minuterie – ARRÊT :

La minuterie ARRÊT se règle en appuyant sur la touche E sur l'interrupteur marche de l'appareil. L'écran clignotant affiche les heures jusqu'au moment où l'appareil sera désactivé : 0h. En appuyant sur la touche C, l'heure de désactivation peut être sélectionnée à partir de 0h à 9h. Sans entrées de données, la valeur établie est validée après 3 secondes et le symbole L indique que la minuterie est activée. L'écran affiche encore une fois l'humidité relative actuelle. En appuyant sur la touche E, le reste du temps, jusqu'au moment de la désactivation, est affiché et peut aussi être ajusté.

Minuterie MARCHE

En appuyant sur la touche E sur l'appareil désactivé, la minuterie MARCHE est réglée. L'écran clignotant affiche les heures jusqu'à ce que l'appareil soit activé : 0h. En appuyant sur la touche C, l'heure d'activation peut être

sélectionnée à partir de 0h - 9h. Sans entrées de données, la valeur établie est validée après 3 secondes. L'écran affiche le temps d'activation réglé et le symbole L clignote. Lorsque que l'appareil est activé, il se trouve dans le mode AUTO (symbole J).

F) Symbole de nettoyage (voir également la section Mode de décalcification)

L'affichage du mode de nettoyage se fait sur l'écran par le symbole F. Le symbole s'affiche jusqu'à ce que le mode de décalcification soit terminé. En appuyant simultanément sur les deux touches C pendant une durée d'environ 5 secondes, le symbole de nettoyage peut être réactivé manuellement.

G) Symbole du niveau de débit

H) Symbole d'humidité relative actuelle et souhaitée

I) Désactivation automatique « Réservoir d'eau vide »

Si le niveau d'eau est inférieur au niveau minimal d'eau, l'humidification se désactive automatiquement. Le symbole clignotant rouge I apparaît à l'écran. Si l'eau n'est pas ajoutée dans un délai de 5 minutes, l'écran s'éteint, sauf pour le symbole I. Une fois l'eau ajoutée, le symbole I s'éteint et l'appareil poursuit son fonctionnement.

J) Symbole mode AUTO

K) Symbole mode ECON

L) Symbole de la minuterie

Réservoir de parfum

- Le couvercle du tuyau de conduite de vapeur est pourvu d'un réservoir de parfum.
- Ne versez qu'un petit montant de parfum dans le réservoir de parfum et ne le remplissez pas trop (12).
- Mise en garde! N'ajoutez pas de parfum directement dans l'eau du réservoir, dans la base d'eau ou dans le plateau de vapeur, car ceci peut endommager le matériel et en conséquence l'appareil (13).

Coussinet-Anti-Minéral



MISE EN GARDE : Le plateau de vapeur contient de l'eau bouillante!

Retirez le Coussinet-Anti-Minéral seulement lorsque l'eau dans le plateau de vapeur s'est refroidie. Ne placez qu'un Coussinet Anti-Minéral dans le plateau de vapeur.

Le Anti-Minéral absorbe une grande partie du dépôt de calcaire qui s'accumule pendant le fonctionnement. Le Coussinet-Anti-Minéral réduit l'excès de calcification dans le plateau de vapeur ainsi que la fréquence de décalcification nécessaire. Afin d'insérer le Coussinet-Anti-Minéral, veuillez enlever le couvercle supérieur, le réservoir d'eau et le tuyau de conduite de vapeur de l'appareil (14). Insérez maintenant le Coussinet-Anti-Minéral fourni dans le plateau de vapeur, et réassemblez l'appareil dans l'ordre inverse (14). Il est nécessaire de remplacer le Coussinet-Anti-Minéral aussitôt qu'il est complètement rempli d'un dépôt de calcaire (le Coussinet-Anti-Minéral durcit). Selon la dureté de l'eau, il est nécessaire de le changer toutes les 2 et 4 semaines. Le Coussinet-Anti-Minéral se jette avec les déchets ménagers.

Nettoyage



Débranchez toujours la fiche électrique de l'appareil, avant le nettoyage ou le rinçage (15).



L'appareil doit être vidé et refroidi complètement. Mise en garde : Danger de brûlure!



Mise en garde : Ne versez jamais d'eau dans les ouvertures de ventilation, car ceci pourrait endommager l'appareil.



Important : Lors du nettoyage du plateau de vapeur, n'utilisez aucun objet abrasif (couteaux, etc.) ou d'éponges.



Ne jamais immerger l'appareil dans de l'eau ou dans tout autre liquide (16).

- Un nettoyage régulier est essentiel pour un rendement hygiénique et sans problèmes.
- Selon la qualité de l'eau, une décalcification effectuée à intervalle régulier de l'appareil est recommandée (voir Mode de décalcification).

Nettoyage du réservoir d'eau et des couvercles — chaque semaine (15 – 25)



Nettoyez le réservoir d'eau, le couvercle du dessus, le réservoir de parfum et le tuyau de conduite de vapeur avec une brosse douce en matière plastique et du détergent à vaisselle et rincez à fond (17).

Mode de décalcification

Pour la décalcification, utilisez exclusivement EZCal et EZCal Pro. Les dommages causés par l'usage d'autres produits de nettoyage ne sont pas couverts par la garantie.

Le **mode de décalcification** permet un nettoyage simple et la décalcification du plateau de vapeur, la base d'eau et le tuyau de conduite de vapeur.

Le Coussinet-Anti-Minéral doit être retiré avant l'activation du mode de décalcification (18) (voir la section Coussinet-Anti-Minéral). Faites dissoudre l'agent de décalcification EZCal ou EZCal Pro dans 1 L (32 oz) d'eau chaude et versez-le tout dans la base d'eau (19). Ensuite, réinsérez le tuyau de conduite de vapeur et le couvercle du dessus (20). Appuyez et maintenez la touche A pendant 5 secondes pour changer l'appareil au Mode de décalcification (21). Le mode de décalcification s'affiche à l'écran et le symbole E (22) clignote. La valeur « 4h » s'affiche et clignote à l'écran. La touche C peut être utilisée pour changer la période de décalcification de 1 h à 9 h; ceci selon le degré d'encrassement (22). Après une période de 3 secondes sans entrées de données, la valeur établie est considérée comme « valeur souhaitée » et l'affichage clignotant retourne à l'affichage « CURRENT ». L'appareil réchauffe la solution d'eau EZCal et EZCal Pro pendant le mode de décalcification et il s'éteint lorsque ce mode se termine. Le réchauffement de l'eau s'effectue toutes les 30 minutes pendant le fonctionnement du mode de décalcification. La période de nettoyage est affichée en permanence et se change en minutes lorsque le temps atteint le niveau inférieur du délai d'une heure. La période de nettoyage peut être changée en tout temps en appuyant

sur la touche C. À la fin de cette période de nettoyage, un signal court double se fera entendre; l'écran affichera la valeur « Oh » et le symbole E clignotera rapidement (23). Appuyer sur la touche A désactive le mode de décalcification et éteint l'appareil (23).

MISE EN GARDE : La base d'eau doit maintenant être vidée et rincée du EZCal et EZCal Pro (24 – 25). Assurez-vous de ne pas laisser d'eau pénétrer dans l'ouverture de ventilation (25). Conseil : Dans un cas important d'un dépôt de calcaire tenace, faites décalcifier pendant la nuit (12 à 15 heures).

Nettoyage du boîtier – une à deux fois par an (26).

Nettoyez le boîtier avec un chiffon humide et essuyez-le; au besoin, utilisez un produit de nettoyage adéquate pour le plastique.

Après usage

- Éteignez l'appareil en appuyant sur la touche A (27).
- Débranchez la fiche électrique (15).
- Attendez que l'appareil soit complètement refroidi.
- Videz toute eau restante et nettoyez le réservoir d'eau et la base d'eau. Au besoin, le décalcifier.
- Permettez à l'appareil de sécher.

Entreposage de l'appareil pour une période de temps prolongée

Nettoyez l'appareil comme indiqué plus haut, séchez-le entièrement et entreposez-le, de préférence, dans son emballage d'origine, dans un endroit sec et frais.

Accessoires

Pour toute information de commande ultérieure, prenez contact avec votre détaillant ou visitez notre site www.airoswiss.net.

Mentions légales

L'appareil est homologué comme cETL.

Le fabricant se réserve le droit d'apporter des modifications d'ordre technique. Les instructions sont couvertes par les lois relatives aux droits d'auteur © PLASTON AG.

Le numéro de série

Le numéro de série est placé sous l'appareil.

Service après-vente

www.airoswiss.net

Spécifications techniques

Alimentation	120 V / 60 Hz
Consommation d'énergie jusqu'à	160 – 480 W
Production d'humidité jusqu'à	3,5 gallons / 24h (13,2 L / 24 h)
Convient aux pièces jusqu'à	860 sq ft (80 m ²)
Dimensions (LxPxH)	14 x 9,5 x 13,2 inches (35,5 x 24 x 33,4 cm)
Poids (à vide)	10 lb (4.5 kg)
Niveau de bruit	< 35 dB(A)
Accessoires	Coussinet-Anti-Minéral A451 EZCal A7417 EZCal Pro A100

fr

Questions générales sur l'humidificateur

Q. Pourquoi n'y a-t-il pas assez d'humidité dans ma pièce?

R. Combien de fois faites-vous fonctionner l'appareil? Si l'appareil fonctionne uniquement pendant la nuit, alors le niveau d'humidité tombera pendant la journée si de l'humidité n'est pas constamment ajoutée à l'air.

Q. Fermez-vous ou laissez-vous votre porte ouverte lorsque l'appareil fonctionne?

A. a) En laissant la porte ouverte, l'humidité quitte la pièce et se répand dans d'autres endroits de la maison. Si vous souhaitez que l'humidité reste dans une pièce spécifique, vous devriez envisager de fermer la porte lorsque l'appareil fonctionne.

A. b) Le bois, le cuir, les tapis, les rideaux et autres types de tissu absorbent une certaine quantité d'humidité, ne laissant ainsi pas assez d'humidité pour l'air. Si la fenêtre est ouverte, l'humidité s'échappera alors de la pièce. Un autre facteur est souvent le positionnement de l'appareil à proximité d'un appareil chauffant. L'idée repose sur le fait que l'air soufflant dans la pièce répartira rapidement l'humidité dans toute la pièce. Malheureusement, ce concept ne fonctionne pas puisque l'air chaud sortant d'une bouche d'aération absorbera presque toute l'humidité. L'air contenu dans la pièce ne recevra ainsi aucune humidité.

Q. Quelle quantité d'humidité ai-je besoin dans ma pièce?

R. Les niveaux d'humidité suggérés sont compris entre 40 % et 60 %.

Q. Quels sont les effets d'un surplus ou d'un manque d'humidité?

R. Un air sec peut entraîner l'assèchement de la peau, de l'électricité statique, des instruments désaccordés, augmenter le niveau de poussière (un air sec engendre

une accumulation de la poussière), une dégradation des objets en bois (assèchement et apparition éventuelle de fissures), l'inconfort, des nausées, et un assèchement des membranes nasales.

Un surplus d'humidité de l'air peut entraîner l'apparition de moisissures et le décollage du papier peint.

Q. Pourquoi ai-je besoin d'un humidificateur alors que je peux simplement ouvrir la fenêtre?

R. Le niveau d'humidité de l'air extérieur ne suffit pas à humidifier une pièce. Plus l'air est froid, moins il retient l'humidité. Plus l'air est chaud, plus le niveau d'humidité relative est faible. On entend par humidité relative la quantité de vapeur d'eau dans l'air, comparativement à la quantité pouvant être retenue par un air totalement saturé. La différence est plus élevée entre les températures extérieure et intérieure. L'air sec de la pièce exige une plus grande humidification.

Q. Où dois-je installer mon humidificateur?

R. L'appareil doit être mobile et ne pas être installé à proximité d'un mur, d'une fenêtre, d'une porte ou d'un pont thermique afin que l'air puisse circuler autour de l'appareil.

Foire aux questions : Humidificateur à vapeur

Q. Le réservoir d'eau n'a pas de démarcation, jusqu'où dois-je le remplir d'eau?

R. Le réservoir n'a pas de démarcation. On peut le remplir d'eau jusqu'en haut.

Q. Le niveau d'humidité ne change pas ou n'atteint pas le niveau d'humidité souhaitée.

R. Si le réservoir d'eau doit être rempli plus d'une fois par jour, cela signifie que l'appareil fonctionne bien et que ce sont les conditions climatiques de la pièce qui ont une incidence sur l'humidité.

Raisons d'un niveau d'humidité bas :

- La circulation d'air est très élevée (l'air est entièrement renouvelé plusieurs fois par jour – l'humidificateur doit recommencer son travail depuis le début)
- Isolation de la maison (voir circulation d'air)
- Espace ouvert avec hauts plafonds (non seulement la superficie de la pièce compte, mais aussi sa hauteur) – des bâtiments élevés nécessitent plus d'humidification
- Fenêtres ouvertes – effet similaire à la circulation d'air (s'il fait très froid dehors, n'ouvrez pas la fenêtre plus de 2 fois par jour pendant 3 minutes)
- Grande différence entre la température extérieure et la température intérieure – plus l'air est froid, moins il est capable de retenir l'humidité et plus l'air est chaud, plus le pourcentage d'humidité relative est moindre (= quantité de vapeur d'eau dans l'air par rapport à la quantité que l'air peut absorber s'il est totalement saturé)
- Position de l'appareil – s'il est placé près d'une porte, fenêtre ou bouche d'aération. Cela augmente la circulation d'air

Q. Pas de brume / l'appareil ne fonctionne pas

- Si l'appareil ne fonctionne pas et que le témoin vide ne clignote pas, il se peut que vous ayez réglé l'humidité souhaitée trop basse et que le niveau d'humidité actuel de la pièce soit plus élevé. C'est pourquoi l'appareil s'éteint automatiquement.

Q. Le bouchon du réservoir d'eau est trop difficile à desserrer

R. Cela peut être dû à la pression d'air dans le réservoir d'eau. Desserrez le ressort en bas du bouchon du réservoir d'eau pour libérer l'air du réservoir d'eau. Continuez jusqu'à ce que vous soyez capable de desserrer le bouchon du réservoir d'eau.

Accessoires

Q. Qu'est-ce que EZCal et EZCal Pro?

R. Un échantillon d'EZCal est inclus avec votre humidificateur. EZCal et EZCal Pro sont utilisés pour le nettoyage et le détartrage de tous les humidificateurs et éliminent les dépôts de minéraux. EZCal et EZCal Pro sont les seuls nettoyeurs et détartrants recommandés. N'UTILISEZ AUCUNE autre solution nettoyante : vous risqueriez d'endommager l'appareil. L'utilisation de toute autre solution autre qu'EZCal et EZCal Pro annule la garantie. Les instructions d'utilisation sont sur le paquet. Utilisez 1 seul paquet pour 1 l (32 oz) d'eau. Ne changez pas les proportions. Il peut également être utilisé pour d'autres marques d'humidificateur. Rincez complètement la base à l'eau potable après avoir utilisé EZCal et EZCal Pro et vérifiez qu'aucun résidu d'EZCal et EZCal Pro n'y demeure. EZCal et EZCal Pro sont offerts par certains détaillants choisis et en ligne sur www.airoswiss.net.

Instrucciones para el uso

es

¡POR FAVOR LEA Y GUARDE TODAS ESTAS INSTRUCCIONES!

Instrucciones importantes de seguridad

- Antes de poner en funcionamiento el aparato lea atentamente las instrucciones; guárdelas bien para posteriores consultas.
- Conecte el artefacto únicamente a CA con el voltaje indicado en la etiqueta de especificaciones.
- Siempre conecte el cable de alimentación al artefacto antes de conectarlo al tomacorriente. CUIDADO: Un sonido desde la unidad indica que está conectada a la alimentación.
- El humidificador debe ser utilizado exclusivamente para interiores según las especificaciones técnicas. Una utilización o aplicación distinta puede causar serios peligros para su salud y para su entorno.
- Este aparato no debe ser utilizado por personas (incluyendo niños) con capacidades corporales, sensoriales o mentales disminuidas o sin conocimientos o experiencia suficientes. Hay que controlar que los niños no jueguen con el aparato (figura 1).
- Nunca use el aparato si el enchufe o cable estuviera dañado ni tras sufrir daños, si el equipo se ha caído (2) o si hubiera sufrido cualquier otro daño.
- Use únicamente el cable de alimentación original.
- Este aparato tiene un enchufe polarizado (una de las patas es más ancha que la otra). Para reducir el riesgo de una descarga eléctrica, el enchufe entra en un tomacorriente polarizado de una sola forma. Si el enchufe no se adapta perfectamente al tomacorriente, dé vuelta el enchufe. Si ésto no basta, consulte con un electricista calificado. NO trate de modificar esta medida de seguridad.
- Si el enchufe y el tomacorriente no están perfectamente adaptados uno al otro, el enchufe puede calentarse en exceso y deformarse. Llame a un electricista para cambiar los tomacorrientes flojos o gastados.
- SIEMPRE desenchufe la unidad antes de quitar/llenar/vaciar el tanque de agua, antes de limpiarlo, antes de

montar o desmontar alguna de sus partes, cuando lo mueva o traslade de lugar.

- Si el cable eléctrico se daña, debe ser reemplazado por el fabricante, un agente técnico autorizado o una persona calificada para evitar riesgos.
- Nunca ponga en funcionamiento el aparato si no está completamente armado.
- Los aparatos eléctricos sólo deben ser reparados por personal calificado (3); una reparación inapropiada puede resultar peligrosa para el usuario.
- Nunca desconecte el equipo del tomacorriente tirando del cable o con las manos húmedas.
- No toque el artefacto con las manos mojadas.
- Coloque el humidificador sobre una superficie seca y plana.
- No sumerja nunca el cuerpo del aparato en agua u otro líquido (16).
- Coloque el aparato en un lugar en el cual no pueda ser volcado fácilmente (4).
- No coloque el cable eléctrico debajo de alfombras u otros objetos. Coloque el cable de tal forma que no pueda tropezar con él.
- No use el aparato en habitaciones donde haya sustancias, gases o vapores combustibles.
- No se siente, no se pare ni coloque encima del aparato ningún objeto pesado (mantenga la salida de vapor sin obstrucciones).
- Atención: Las superficies de la unidad se calientan cuando está funcionando.
- Mientras esté funcionando, no coloque el cable de alimentación sobre el artefacto ya que podría causar un incendio o un cortocircuito.
- No utilice un cable de extensión.
- No coloque la unidad sobre superficies calientes o cerca del fuego. Mantenga una separación mínima de 4ft.

- Nunca sumerja el artefacto o el cable en agua ni cualquier otro líquido ya que podría causar heridas, incendios o descargas eléctricas.
- Use únicamente partes de repuesto originales.
- Antes de limpiarla, desenchufe el cable de alimentación y deje que la unidad se enfríe por completo.
- No mueva la unidad mientras esté funcionando.
- El fabricante declina cualquier tipo de responsabilidad por los daños producidos por no respetar estas instrucciones de uso.

Prólogo

Felicitaciones por elegir el aparato S450. Con ello ha contribuido significativamente a un mayor bienestar y a crear un aire ambiental más saludable.

Uso adecuado:

El dispositivo sólo debe utilizarse para la humidificación del aire en interiores.



Atención: ¡Vapor caliente y agua hirviendo!

No permita que los niños usen el artefacto. El vapor y el agua hirviendo pueden causar quemaduras.

Desembalaje

- Extraiga con cuidado la unidad de la caja.
- Saque la unidad del envoltorio plástico. Nota: la cubierta superior de la unidad es removible.
- Saque los accesorios de adentro de la unidad (5).
- Remueva todos los materiales de empaque.

Descripción de la unidad/Contenido



Nunca ponga en funcionamiento el aparato si no está completamente armado.

Cubierta de la salida de vapor con recipiente para fragancia

Salida de vapor

Tapa superior

Tanque para el agua

Tapa del tanque de agua

Caño del vapor

Almohadilla anti-minerales

Abertura de ventilación

Indicador de nivel de agua

Panel de control

Aberturas de ventilación

EZGal

EZGal PRO

Opcional

Opcional

Base

Bandeja de vapor

Almohadilla anti-minerales

Detector de nivel de agua

Cable de alimentación

Puesta en marcha



¡Asegúrese de respetar todas las instrucciones de seguridad!



Use el artefacto únicamente sobre una superficie plana, estable y resistente al agua y al calor. Mantenga una separación mínima de 4ft de las paredes, muebles y cortinas (riesgo de daños por humedad) (6). Atención: El voltear la unidad puede causar quemaduras por agua caliente.



Siempre conecte el cable de alimentación al artefacto antes de conectarlo al tomacorriente (7). Atención: ¡inserte completamente el cable en la unidad! Un sonido desde la unidad indica que está conectada a la alimentación.



Por favor, tenga en cuenta que el dispositivo emitirá ruidos de funcionamiento más altos durante los primeros minutos de la puesta en marcha.

Llenado y rellenado del tanque de agua



Atención: Llene el tanque de agua únicamente con agua fresca y fría del grifo. No use agua mineral con gas ni ningún otro líquido.



Atención: ¡Se calienta cuando funciona!



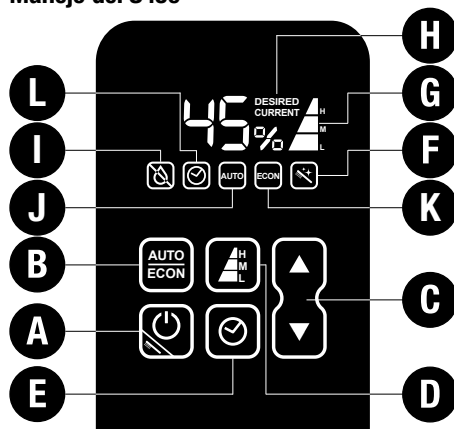
Atención: Nunca vierta agua en las ranuras de ventilación ya que podría dañar el artefacto.

Siempre agregue agua directamente dentro del tanque. Nunca vierta agua directamente dentro de la unidad o dentro del caño del vapor (8).

ES

- Verifique que la unidad esté apagada.
- Saque la tapa superior de la unidad (Nota: se puede formar condensación en el interior de la tapa luego de usarla) y saque el tanque de agua de la unidad usando la manija del tanque (9).
- Dé vuelta el tanque de agua, desenrosque la tapa y llénelo con agua (9 – 10).
- Cierre bien la tapa del tanque, coloque el tanque dentro de la unidad y vuelva a colocar la tapa (11).

Manejo del S450



A) Encendido/apagado

Presionando el botón A se prende y apaga el artefacto. El botón A también se usa para iniciar el modo de descalcificación. Ver la sección acerca de «Modo de descalcificación» (18-25). Luego de encender la unidad, estará en el modo AUTO (símbolo J).

B) Modo AUTO / ECON

Modo AUTO:

Luego de encender la unidad, estará en el modo AUTO (símbolo J).

La humedad relativa deseada (rH) está pre-ajustada a 50%. La unidad escoge el nivel de salida apropiado Bajo «L» / Medio «M» / Alto «H» (símbolo G), para alcanzar el valor de 50% rH lo más rápido posible.

En modo AUTO, se puede cambiar la rH en cualquier momento usando el botón C; ver C) Ajuste del nivel de humedad. Si se cambia el nivel de humedad con el botón D, se apaga el modo AUTO y la unidad comienza a funcionar en modo manual, ver D) Operación manual.

Presionando el botón B, se puede reactivar el modo AUTO.

Modo ECON

Presionando el botón B, se puede cambiar del modo AUTO al modo ECON (símbolo K) y viceversa. En modo ECON, la humedad relativa deseada (rH) está pre-ajustada a 45%. La unidad escoge el nivel de salida apropiado Bajo «L» / Medio «M» (símbolo G), para alcanzar el valor de 45% rH ahorrando la mayor cantidad posible de energía.

En modo ECON, se puede cambiar la rH en cualquier momento usando el botón C; ver C) Ajuste del nivel de humedad. Si se cambia el nivel de humedad con el botón D, se apaga el modo ECON y la unidad comienza a funcionar en modo manual, ver D) Operación manual.

Presionando el botón B dos veces, se puede reactivar el modo ECON.

C) Ajuste del nivel de humedad

El artefacto viene equipado con un medidor de humedad. Mide la humedad relativa y apaga automáticamente el artefacto cuando alcanza el valor deseado. La ventilación interna permanece encendida para asegurar una medición precisa de la humedad relativa. Si la humedad relativa cae por debajo del valor deseado, la humidificación continúa automáticamente. La humedad relativa deseada se puede ajustar en pasos de 5% presionando el botón B. El valor de la pantalla parpadea mientras se selecciona la salida deseada de humedad. La palabra DESIRED (deseado) aparece en la pantalla (símbolo H). Luego de unos segundos, la pantalla cambia automáticamente para mostrar el valor actual (símbolo H). Luego de alcanzar la humedad relativa deseada, la pantalla muestra DESIRED (deseado) y CURRENT (actual). Le recomendamos una humedad relativa entre 40 y 60%. La humedad relativa se puede ajustar desde un mínimo de 30% hasta un máximo de 70% o «CO» (modo continuo).

Símbolo E2

Cuando la pantalla muestra «E2», la humedad relativa actual ha llegado al 90%. El artefacto se apagará automáticamente como medida de seguridad. El artefacto se

enciende nuevamente cuando la humedad relativa desciende por debajo del 85%.

Indicación rápida de la humedad relativa actual

Cuando la unidad está apagada (pero con el cable enchufado), se puede ver la humedad relativa actual en la pantalla presionando levemente uno de los botones C. Esta indicación desaparece automáticamente luego de unos segundos.

D) Operación manual

El artefacto se puede usar en 3 niveles. Los niveles de salida Bajo «L» (modo nocturno), Medio «M» (operación normal), y Alto «H» (modo de potencia) se pueden seleccionar presionando el botón D (se desactivan los modos AUTO y ECON). El nivel deseado de salida se muestra en la pantalla mediante el símbolo G.

E) Temporizador

El artefacto cuenta con un temporizador de apagado y de encendido.

Temporizador de apagado:

El temporizador de apagado se activa presionando el botón E con el artefacto encendido. La pantalla parpadeante muestra las horas hasta que la unidad se apague automáticamente: 0h. Presionando el botón C, se puede ajustar el temporizador de apagado entre 0h y 9h. Si no se presiona ningún botón, el valor en pantalla queda activado luego de 3 segundos y el símbolo L indica que el temporizador está activado. La pantalla mostrará nuevamente el nivel de humedad del ambiente. Presionando el botón E, se muestra el tiempo que falta para que la unidad se apague y también se lo puede cambiar.

Temporizador de encendido

El temporizador de encendido se activa presionando el botón E con la unidad apagada. La pantalla parpadeante ahora muestra las horas hasta que la unidad se encienda automáticamente: 0h. Presionando el botón C, se puede

ajustar el temporizador de encendido entre 0h y 9h. Si no se presiona ningún botón, el valor en pantalla queda activado luego de 3 segundos. La pantalla mostrará el tiempo del temporizador de encendido y el símbolo L parpadeando. Cuando la unidad se encienda, estará en el modo AUTO (símbolo J).

F) Símbolo de limpieza (ver también la sección acerca del Modo de descalcificación)

La letra F en la pantalla indica que hay que limpiar el artefacto. El símbolo permanece en la pantalla hasta completar el modo de descalcificación. Manteniendo presionados ambos botones C simultáneamente por unos 5 segundos se puede apagar manualmente el símbolo de limpieza.

G) Símbolo de nivel de salida

H) Símbolo de humedad relativa actual y deseada

I) Apagado automático «Tanque de agua vacío»

Si el nivel de agua desciende por debajo del nivel mínimo, la humidificación se apaga automáticamente. Aparece el símbolo rojo I parpadeando en la pantalla. Si no se agrega agua dentro de los próximos 5 minutos, la pantalla se apaga, excepto por el símbolo I. Si se agrega agua, el símbolo I se apaga y el artefacto continúa funcionando.

J) Símbolo de modo AUTO

K) Símbolo de modo ECONO

L) Símbolo de temporizador

Recipiente para fragancia

- La tapa del caño del vapor tiene un recipiente para fragancias incorporado.
- Coloque solamente una pequeña cantidad de fragancia en el recipiente para fragancias y no lo llene de más (12).
- Atención: No ponga ninguna fragancia directamente dentro del tanque de agua, la base o bandeja de vapor ya que podría dañar los materiales y consiguientemente, el artefacto (13).

Almohadilla anti-minerales



CUIDADO: ¡La bandeja de vapor contiene agua hirviendo! Remueva la almohadilla anti-minerales únicamente cuando el agua de la bandeja de vapor se haya enfriado. Coloque solamente una almohadilla anti-minerales dentro de la bandeja de vapor.

La almohadilla anti-minerales absorbe gran parte de los sedimentos que se producen durante el funcionamiento. La almohadilla anti-minerales reduce el exceso de calcificación de la bandeja de vapor y la frecuencia necesaria de la descalcificación. Para insertar la almohadilla anti-minerales, saque la tapa superior, el tanque de agua y el caño del vapor de la unidad (14).

Luego inserte la almohadilla anti-minerales suministrada directamente dentro de la bandeja de vapor y vuelva a armar el artefacto siguiendo los pasos inversos (14). Hay que reemplazar la almohadilla anti-minerales ni bien esté completamente llena de sedimentos (la almohadilla anti-minerales se endurece). Dependiendo de la dureza del agua, hay que hacer esto cada 2 - 4 semanas. La almohadilla anti-minerales se puede arrojar a la basura.

Limpieza



Siempre desconecte el cable de alimentación del artefacto antes de limpiarlo o enjuagarlo (15).



Hay que vaciar completamente la unidad y esperar a que se enfríe. Atención: ¡Peligro de quemaduras!



Atención: Nunca vierta agua en las ranuras de ventilación ya que podría dañar el artefacto (24 – 25).



Importante: No use ningún objeto abrasivo (cuchillos, etc.) o esponjas para limpiar la bandeja de vapor.



Nunca sumerja la unidad en agua o ningún otro líquido (16).

- La limpieza regular es esencial para un funcionamiento higiénico y sin fallas.
- Dependiendo de la calidad del agua, se recomienda la descalcificación regular del artefacto (ver Modo de descalcificación).

Limpieza del tanque de agua y las cubiertas: semanalmente (15 – 25).



Limpie el tanque de agua, la tapa superior, el recipiente para fragancias y el caño del vapor con un cepillo blando de plástico y detergente para vajilla y enjuáguelos bien (17).

Modo de descalcificación

Use únicamente EZCal y EZCal Pro para la descalcificación. Los daños causados por el uso de otros limpiadores no están cubiertos por la garantía.

El **modo de descalcificación** permite limpiar y descalcificar fácilmente la bandeja de vapor, la base de agua y el caño del vapor.

Hay que sacar la almohadilla anti-minerales antes de comenzar con la descalcificación (18) (ver sección acerca de la almohadilla anti-minerales). Disuelva el agente descalcificador EZCal o EZCal Pro en 1 litro de agua caliente y viértalo en la base (19). Luego vuelva a colocar el caño del vapor y la tapa superior (20). Manteniendo presionado el botón A durante 5 segundos se coloca el artefacto en el modo de descalcificación (21). La pantalla indica el modo de descalcificación con el símbolo E parpadeando (22). Aparece el valor «4h» parpadeando en la pantalla. Se puede usar el botón C para cambiar el tiempo de descalcificación entre 1 hora y 9 horas, dependiendo de la cantidad de sedimento (22). Luego de 3 segundos de inactividad, se almacena el valor ingresado como «valor deseado» y la pantalla parpadeante vuelve a «CURRENT». La unidad calienta la solución de agua y EZCal y EZCal Pro durante la descalcificación y apaga la unidad al terminar. El agua se calienta cada 30 minutos mientras esté activo el modo de descalcificación. La pantalla muestra permanentemente el tiempo de limpieza restante y cambia a minutos cuando el tiempo sea menor a 1 hora. Se puede cambiar el tiempo de descalcificación en cualquier momento presionando el botón C. Al final del tiempo de limpieza sonará una doble señal corta, la pantalla mostrará el valor «0h» y el símbolo de limpieza E

parpadeará rápidamente (23). Presionando el botón A se detiene el modo de descalcificación y apaga el artefacto (23).

CUIDADO: Ahora hay que vaciar el EZCal y EZCal Pro de la base enjuagarla (24-25). Asegúrese de que entre agua por las ranuras de ventilación (25). Consejo: En caso de tener mucho sedimento, haga la descalcificación toda la noche (de 12 a 15 horas).

Limpieza del gabinete: una o dos veces por año (26)

Limpie el gabinete con un trapo húmedo y séquelo; use un limpiador apto para plástico si es necesario.

Luego de usarlo

- Apague el artefacto presionando el botón A (27).
- Desconecte el cable de alimentación (15).
- Espere hasta que el artefacto se haya enfriado por completo.
- Saque todo el agua que haya quedado y limpie el tanque de agua y la base. Descalcifíquelo si es necesario.
- Deje que se seque el artefacto.

Almacenamiento durante períodos prolongados

Limpie el aparato como se ha descrito anteriormente y deje que se seque totalmente. Guarde preferentemente el humidificador dentro del embalaje original en un lugar seco y alejado de focos de calor.

Accesorios

Llame a su agente de ventas local o consulte nuestra página web www.airoswiss.net para comprar accesorios.

Referencias legales

El aparato está certificado por cETL.

Reservado el derecho de efectuar modificaciones técnicas.

Las instrucciones para el uso están protegidas por las leyes de copyright © PLASTON AG.

Número de serie

El número de serie se encuentra en la parte de abajo del artefacto.

Servicio de atención al cliente

www.airoswiss.net

Datos técnicos

Tensión de la red	120 V / 60 Hz
Consumo de energía	160 – 480 W
Capacidad de humidificación de hasta	3.5 gallons / 24h (13.2 L / 24 h)
Adecuado para habitaciones de hasta	860 sq ft (80 m ²)
Dimensiones (LxPxA)	14 x 9.5 x 13.2 inches (35.5 x 24 x 33.4 cm)
Peso (vacío)	10 lbs (4.5 kg)
Ruido de funcionamiento	< 35 dB(A)
Accesorios	Almohadilla anti-minerales A451 EZCal A7417 EZCal Pro A100

ES

Preguntas generales acerca del humidificador

P. ¿Por qué no hay suficiente humedad en la habitación?

R. ¿Con qué frecuencia pone en funcionamiento la unidad? Si la unidad solo funciona por la noche, el nivel de humedad durante el día descenderá si no se le añade más humedad constantemente al aire.

R. ¿Dejo la puerta abierta o cerrada cuando la unidad está funcionando?

A. Si deja la puerta abierta, la humedad saldrá de la habitación y pasará a otras zonas de la casa. Si quiere que la humedad se mantenga en una habitación específica deberá tener en cuenta que debe cerrar la puerta mientras la unidad está funcionando.

B. La lana, piel, alfombras, cortinas y otros tipos de tejidos absorben mucha humedad, no dejando así suficiente humedad en el aire. Si ha dejado la ventana abierta, la humedad se escapará de la habitación. Otro factor muy frecuente es que la unidad se coloque cerca de un dispositivo que genere calor. La idea es que el aire que calienta la habitación distribuirá humedad rápidamente por todo el espacio de ésta. Lamentablemente, este concepto no funciona debido a que el aire caliente procedente de un calefactor absorberá la mayor parte de la humedad y el aire de la habitación no recibirá nada.

P. ¿Cuánta humedad se necesita en la habitación?

R. Los niveles de humedad recomendados son entre el 40 y el 60 por ciento.

P. ¿Cuáles son los efectos de tener muy poca o demasiada humedad?

R. Un aire seco reseca la piel, crea electricidad estática, desafina los instrumentos musicales, aumenta los niveles de polvo (el aire seco hace que se levante polvo), daña los objetos de madera (los reseca y a veces los

agrieta), produce una sensación incómoda, enfermedades y seca las membranas nasales.

Un exceso de humidificación del aire puede producir moho y que se levante el papel de las paredes.

P. ¿Por qué se necesita un humidificador cuando sencillamente se puede abrir la ventana?

R. El nivel de humedad del aire exterior no es lo suficientemente elevado para humidificar las habitaciones.

P. ¿Dónde se debe colocar el humidificador?

R. La unidad debe estar apartada y no demasiado cerca de paredes, ventanas, puertas o puentes térmicos para que el aire pueda circular alrededor de la unidad.

Preguntas acerca de los humidificadores a vapor

P. No hay una línea de llenado en el depósito de agua, ¿cuánto se debe llenar?

R. No hay, efectivamente, línea de nivel de llenado en el depósito de agua y puede llenarlo completamente hasta arriba.

P. El nivel de humedad no varía, o no se alcanza el nivel de humedad deseado.

R. Si el depósito de agua debe ser rellenado más de una vez al día, la unidad funciona correctamente y las condiciones climáticas de la habitación tienen influencia sobre el nivel de humedad.

Posibles motivos de un nivel de humedad bajo:

- Exceso de ventilación (el aire de la habitación se renueva por completo varias veces al día, por lo que el humidificador debe empezar su trabajo desde cero).
- Aislamiento del hogar (ver circulación del aire).
- Espacio abierto con techos altos (además de los metros cuadrados de la casa, hay que tener en cuenta la altura del techo) – los edificios con techos altos requieren mayor humidificación.

- Ventanas abiertas – sucede lo mismo que cuando hay exceso de ventilación (si en el exterior hace mucho frío, no abra la ventana más de 2 veces al día, durante un intervalo de 3 minutos).

- Mucha diferencia entre la temperatura exterior e interior – cuanto más frío sea el aire, más bajo será el nivel de humedad; y cuanto más caliente sea el aire, menor será el porcentaje de humedad relativa (=cantidad de vapor de agua presente en el aire, comparado con la cantidad máxima que podría admitir el aire si estuviera completamente saturado).

- Posición de la unidad. Si está situada cerca de una puerta, ventana o rejilla de ventilación, aumentará la circulación del aire.

P. No sale vapor / El aparato no funciona

- Si la unidad no funciona y el indicador de 'depósito vacío' no parpadea, podría ser que usted haya puesto el nivel de humedad deseado demasiado bajo y que el nivel de humedad actual en la casa sea mayor. Es por eso que la unidad se apaga automáticamente.

P. La tapa del tanque de agua no se puede desenroscar.

R. Esto podría ser debido a la presión del aire dentro del tanque de agua. Para sacar aire del tanque, presione el resorte en la base de la tapa del tanque de agua. Repita este proceso hasta que pueda desenroscar la tapa del tanque de agua.

Accesorios

P. ¿Qué es EZCal y EZCal Pro?

R. La caja de su humidificador viene con una muestra de EZCal incluida. EZCal sirve para limpiar y descalcificar cualquier humidificador. También elimina restos minerales. EZCal y EZCal Pro es la única solución de limpieza y descalcificación recomendada. No use ningún otro producto limpiador ya que podría dañar la unidad. El uso de cualquier solución de limpieza que no sea EZCal y EZCal Pro anulará la garantía. Las instrucciones de uso están en la caja. Utilice sólo un envase por cada 32 onzas de agua. No modifique la proporción. EZCal y EZCal Pro también se puede utilizar con humidificadores de otras marcas. Enjuague completamente la base con agua potable después de usar EZCal y EZCal Pro y asegúrese de que no quede nada de EZCal y EZCal Pro en la base. EZCal y EZCal Pro está disponible en algunas tiendas y en línea en www.airoswiss.net.

Please check our website www.airoswiss.net
for further information.