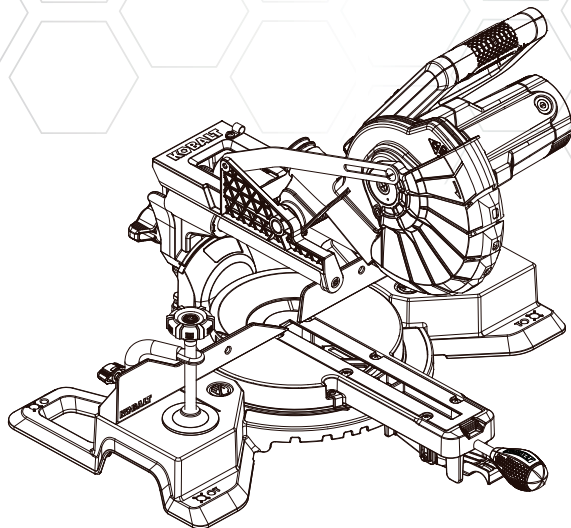


# KOBALT™



ITEM #5265149

## 7-1/4 IN COMPACT SLIDING SINGLE-BEVEL MITER SAW

MODEL #SM1817LW

Español p. 41

KOBALT and logo design are trademarks or registered trademarks of LF, LLC. All Rights Reserved.

**ATTACH YOUR RECEIPT HERE**

Serial Number \_\_\_\_\_ MFG Date \_\_\_\_\_ Purchase Date \_\_\_\_\_



**Questions, problems, missing parts?** Before returning to your retailer, call our customer service department at 888-3KOBALT (888-356-2258), 8 a.m. - 8 p.m., EST, Monday - Sunday. You could also contact us at [partsplus@lowes.com](mailto:partsplus@lowes.com).

SC22230

## TABLE OF CONTENTS

|   |    |
|---|----|
| Product Specifications.....             | 2  |
| Package Contents.....                   | 3  |
| General Power Tool Safety Warnings..... | 6  |
| Electrical Safety Information.....      | 11 |
| Preparation.....                        | 13 |
| Assembly Instructions.....              | 14 |
| Adjustment Instructions.....            | 16 |
| Operating Instructions.....             | 24 |
| Crown Molding Chart.....                | 35 |
| Care and Maintenance.....               | 36 |
| Troubleshooting.....                    | 38 |
| Replacement Parts List.....             | 39 |
| Warranty.....                           | 40 |

## PRODUCT SPECIFICATIONS

| <b>MOTOR</b>     |                       | <b>CUTTING CAPACITY</b>                 |   |
|------------------|-----------------------|---|---|
| Power Source     | 10A, 120V a.c., 60 Hz | Crosscut                                | 2 in. x 8-7/16 in.                        |
| Arbor Shaft Size | 5/8 in.               | Miter 45° Right & Left                  | 2 in. x 6 in.                             |
| Speed (No load)  | 5,000 RPM             | Bevel 45° Left                          | 1-1/2 in. x 8 in.                         |
| Electric Brake   | Yes                   | 45° Miter & 45° Bevel                   | 1-1/2 in. x 6 in.                         |
| Double Insulated | Yes                   | Crown Molding Nested                    | 3-3/8 in.                                 |
| <b>BLADE</b>     |                       | Base Molding Against Fence              | 2-3/8 in.                                 |
| Diameter         | 7-1/4 in.             | <b>MITER/BEVEL POSITIVE STOP ANGLES</b> |   |
| Arbor            | 5/8 in.               | Miter Range                             | 0° ~ 50° right and left                   |
| Tooth thickness  | 0.087 in.             | Miter Detent Stops                      | 0°, 15°, 22.5°, 31.6°, 45° right and left |
|                  |                       | Bevel Range                             | 0° ~ 47° left                             |
|                  |                       | Bevel Positive Stops                    | 0°, 45° left                              |

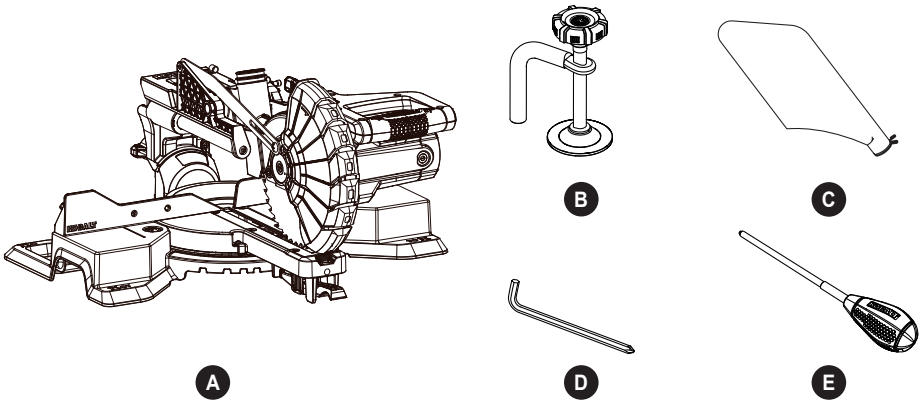
## PACKAGE CONTENTS

### UNPACKING YOUR MITER SAW

**⚠ WARNING:** To avoid injury from unexpected starting or electrical shock, do not plug the power cord into a source of power during unpacking and assembly. The cord must remain unplugged whenever you are adjusting/assembling the saw.

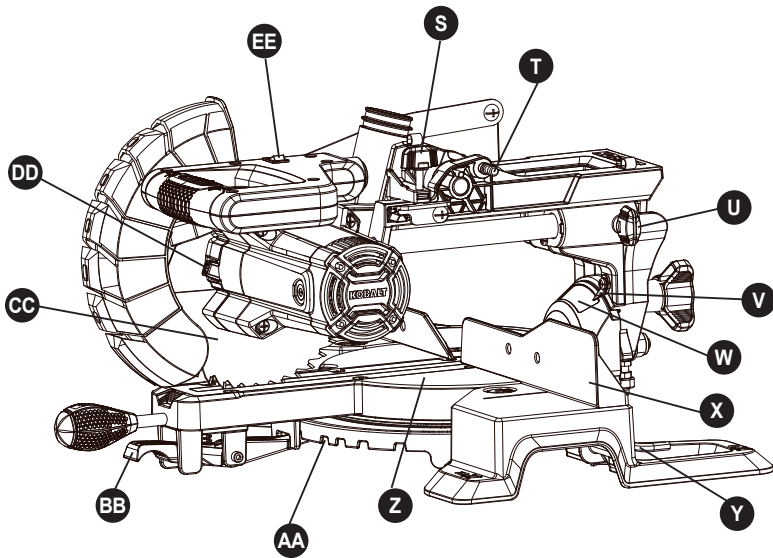
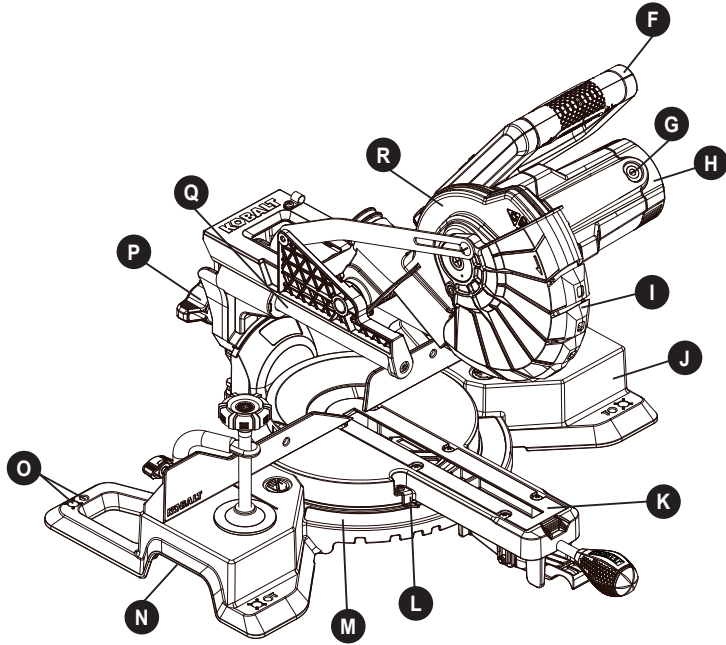
1. Remove the miter saw from the carton.  
**IMPORTANT:** Do not lift miter saw by the trigger switch handle. It may cause misalignment. Lift the saw by the hand holds for transportation.
2. Place the saw on a secure, stationary work surface.
3. Separate all parts from the packing material. Check each one with the illustration below to make certain all items are accounted for before discarding any packing material.

**⚠ WARNING:** If any part is missing or damaged, do not attempt to assemble the miter saw or plug in the power cord until the missing or damaged part is correctly replaced. To avoid electric shock, use only identical replacement parts when servicing double-insulated tools.



| PART | DESCRIPTION     | QUANTITY |
|------|-----------------|----------|
| A    | Miter saw       | 1        |
| B    | Hold-down clamp | 1        |
| C    | Dust bag        | 1        |
| D    | Blade wrench    | 1        |
| E    | Miter handle    | 1        |

# KNOW YOUR MITER SAW



| PART | DESCRIPTION                  | QUANTITY |
|------|------------------------------|----------|
| F    | Switch handle                | 1        |
| G    | Carbon brush                 | 2        |
| H    | Motor                        | 1        |
| I    | Lower blade guard            | 1        |
| J    | Base                         | 1        |
| K    | Table insert                 | 1        |
| L    | Miter angle pointer          | 1        |
| M    | Miter scale                  | 1        |
| N    | Hand hold for transportation | 2        |
| O    | Mounting holes               | 8        |
| P    | Bevel lock handle            | 1        |
| Q    | Slide carriage               | 2        |
| R    | Upper blade guard            | 1        |
| S    | Cutting depth stop knob      | 1        |
| T    | Hold-down latch              | 1        |
| U    | Sliding carriage lock knob   | 1        |
| V    | Bevel angle pointer          | 1        |
| W    | Bevel scale                  | 1        |
| X    | Fence                        | 1        |
| Y    | Blade wrench storage         | 1        |
| Z    | Miter table                  | 1        |
| AA   | Positive miter stop          | 9        |
| BB   | Positive stop locking lever  | 1        |
| CC   | Blade                        | 1        |
| DD   | Arbor lock button            | 1        |
| EE   | LED ON/OFF switch            | 1        |

## GENERAL POWER TOOL SAFETY WARNINGS

---

**⚠ WARNING:** Read all safety warnings, instructions, illustrations and specifications provided with this power tool. Failure to follow all instructions listed below may result in electric shock, fire and/or serious injury.

**Save all warnings and instructions for future reference.**

The term "power tool" in the warnings refers to your mains-operated (corded) power tool or battery-operated (cordless) power tool.

### Work area safety

- **Keep work area clean and well lit.** Cluttered or dark areas invite accidents.
- **Do not operate power tools in explosive atmospheres, such as in the presence of flammable liquids, gases or dust.** Power tools create sparks which may ignite the dust or fumes.
- **Keep children and bystanders away while operating a power tool.** Distractions can cause you to lose control.

### Electrical safety

- **Power tool plugs must match the outlet. Never modify the plug in any way. Do not use any adapter plugs with earthed (grounded) power tools.** Unmodified plugs and matching outlets will reduce risk of electric shock.
- **Avoid body contact with earthed or grounded surfaces, such as pipes, radiators, ranges and refrigerators.** There is an increased risk of electric shock if your body is earthed or grounded.
- **Do not expose power tools to rain or wet conditions.** Water entering a power tool will increase the risk of electric shock.
- **Do not abuse the cord. Never use the cord for carrying, pulling or unplugging the power tool. Keep cord away from heat, oil, sharp edges or moving parts.** Damaged or entangled cords increase the risk of electric shock.
- **When operating a power tool outdoors, use an extension cord suitable for outdoor use.** Use of a cord suitable for outdoor use reduces the risk of electric shock.
- **If operating a power tool in a damp location is unavoidable, use a residual current device (RCD) protected supply.** Use of an RCD reduces the risk of electric shock.

### Personal safety

- **Stay alert, watch what you are doing and use common sense when operating a power tool. Do not use a power tool while you are tired or under the influence of drugs, alcohol or medication.** A moment of inattention while operating power tools may result in serious personal injury.

- **Use personal protective equipment. Always wear eye protection.** Protective equipment such as dust mask, non-skid safety shoes, hard hat, or hearing protection used for appropriate conditions will reduce personal injuries.
- **Prevent unintentional starting. Ensure the switch is in the off-position before connecting to power source and/or battery pack, picking up or carrying the tool.** Carrying power tools with your finger on the switch or energizing power tools that have the switch on invites accidents.
- **Remove any adjusting key or wrench before turning the power tool on.** A wrench or a key left attached to a rotating part of the power tool may result in personal injury.
- **Do not overreach. Keep proper footing and balance at all times.** This enables better control of the power tool in unexpected situations.
- **Dress properly. Do not wear loose clothing or jewelry. Keep your hair, clothing and gloves away from moving parts.** Loose clothes, jewelry or long hair can be caught in moving parts.
- **If devices are provided for the connection of dust extraction and collection facilities, ensure these are connected and properly used.** Use of dust collection can reduce dust-related hazards.
- **Do not let familiarity gained from frequent use of tools allow you to become complacent and ignore tool safety principles.** A careless action can cause severe injury within a fraction of a second.

#### Power tool use and care

- **Do not force the power tool. Use the correct power tool for your application.** The correct power tool will do the job better and safer at the rate for which it was designed.
- **Do not use the power tool if the switch does not turn it on and off.** Any power tool that cannot be controlled with the switch is dangerous and must be repaired.
- **Disconnect the plug from the power source and/or remove the battery pack, if detachable, from the power tool before making any adjustments, changing accessories, or storing power tools.** Such preventive safety measures reduce the risk of starting the power tool accidentally.
- **Store idle power tools out of the reach of children and do not allow persons unfamiliar with the power tool or these instructions to operate the power tool.** Power tools are dangerous in the hands of untrained users.
- **Maintain power tools and accessories. Check for misalignment or binding of moving parts, breakage of parts and any other condition that may affect the power tool's operation. If damaged, have the power tool repaired before use.** Many accidents are caused by poorly maintained power tools.
- **Keep cutting tools sharp and clean.** Properly maintained cutting tools with sharp cutting edges are less likely to bind and are easier to control.

- **Use the power tool, accessories and tool bits etc. in accordance with these instructions, taking into account the working conditions and the work to be performed.** Use of the power tool for operations different from those intended could result in a hazardous situation.
- **Keep handles and grasping surfaces dry, clean and free from oil and grease.** Slippery handles and grasping surfaces do not allow for safe handling and control of the tool in unexpected situations.

### Service

- **Have your power tool serviced by a qualified repair person using only identical replacement parts.** This will ensure that the safety of the power tool is maintained.


### SAFETY INSTRUCTIONS FOR MITER SAWS

- **Miter saws are intended to cut wood or wood-like products, they cannot be used with abrasive cut-off wheels for cutting ferrous material such as bars, rods, studs, etc.** Abrasive dust causes moving parts such as the lower guard to jam. Sparks from abrasive cutting will burn the lower guard, the kerf insert and other plastic parts.
- **Use clamps to support the workpiece whenever possible. If supporting the workpiece by hand, you must always keep your hand at least 100 mm from either side of the saw blade. Do not use this saw to cut pieces that are too small to be securely clamped or held by hand.** If your hand is placed too close to the saw blade, there is an increased risk of injury from blade contact.
- **The workpiece must be stationary and clamped or held against both the fence and the table. Do not feed the workpiece into the blade or cut "freehand" in any way.** Unrestrained or moving workpieces could be thrown at high speeds, causing injury.
- **Push the saw through the workpiece. Do not pull the saw through the workpiece. To make a cut, raise the saw head and pull it out over the workpiece without cutting, start the motor, press the saw head down and push the saw through the workpiece.** Cutting on the pull stroke is likely to cause the saw blade to climb on top of the workpiece and violently throw the blade assembly towards the operator.
- **Never cross your hand over the intended line of cutting either in front or behind the saw blade.** Supporting the workpiece "cross handed" i.e. holding the workpiece to the right of the saw blade with your left hand or vice versa is very dangerous.
- **Do not reach behind the fence with either hand closer than 100 mm from either side of the saw blade, to remove wood scraps, or for any other reason while the blade is spinning.** The proximity of the spinning saw blade to your hand may not be obvious and you may be seriously injured.
- **Inspect your workpiece before cutting. If the workpiece is bowed or warped, clamp it with the outside bowed face toward the fence. Always make certain that there is no gap between the workpiece, fence and table along the line of the cut.** Bent or warped workpieces can twist or shift and may cause binding on the spinning saw blade while cutting. There should be no nails or foreign objects in the workpiece.

- **Do not use the saw until the table is clear of all tools, wood scraps, etc., except for the workpiece.** Small debris or loose pieces of wood or other objects that contact the revolving blade can be thrown with high speed.
- **Cut only one workpiece at a time.** Stacked multiple workpieces cannot be adequately clamped or braced and may bind on the blade or shift during cutting.
- **Ensure the miter saw is mounted or placed on a level, firm work surface before use.** A level and firm work surface reduces the risk of the miter saw becoming unstable.
- **Plan your work. Every time you change the bevel or miter angle setting, make sure the adjustable fence is set correctly to support the workpiece and will not interfere with the blade or the guarding system.** Without turning the tool "ON" and with no workpiece on the table, move the saw blade through a complete simulated cut to assure there will be no interference or danger of cutting the fence.
- **Provide adequate support such as table extensions, sawhorses, etc. for a workpiece that is wider or longer than the table-top.** Workpieces longer or wider than the miter saw table can tip if not securely supported. If the cut-off piece or workpiece tips, it can lift the lower guard or be thrown by the spinning blade.
- **Do not use another person as a substitute for a table extension or as additional support.** Unstable support for the workpiece can cause the blade to bind or the workpiece to shift during the cutting operation pulling you and the helper into the spinning blade.
- **The cut-off piece must not be jammed or pressed by any means against the spinning saw blade.** If confined, i.e. using length stops, the cut-off piece could get wedged against the blade and thrown violently.
- **Always use a clamp or a fixture designed to properly support round material such as rods or tubing.** Rods have a tendency to roll while being cut, causing the blade to "bite" and pull the work with your hand into the blade.
- **Let the blade reach full speed before contacting the workpiece.** This will reduce the risk of the workpiece being thrown.
- **If the workpiece or blade becomes jammed, turn the miter saw off. Wait for all moving parts to stop and disconnect the plug from the power source and/or remove the battery pack. Then work to free the jammed material.** Continued sawing with a jammed workpiece could cause loss of control or damage to the miter saw.
- **After finishing the cut, release the switch, hold the saw head down and wait for the blade to stop before removing the cut-off piece.** Reaching with your hand near the coasting blade is dangerous.
- **Hold the handle firmly when making an incomplete cut or when releasing the switch before the saw head is completely in the down position.** The braking action of the saw may cause the saw head to be suddenly pulled downward, causing a risk of injury.
- **Do not use** this saw to cut tree limbs or logs.
- **Never** use blades recommended for operation at less than 5000 RPM.
- **Do not use this saw to cut fiber cement board.** This saw is not intended to cut fiber cement boards.

**⚠ WARNING: Additional warnings are listed throughout this manual. Please review all before operating this power tool.**

## **PROPOSITION 65 WARNING**

 **WARNING:** Drilling, sawing, sanding or machining wood products can expose you to wood dust, a substance known to the State of California to cause cancer. Avoid inhaling wood dust or use a dust mask or other safeguards for personal protection. For more information go to: [www.P65Warnings.ca.gov/wood](http://www.P65Warnings.ca.gov/wood)

Some examples of these chemicals are:

- Lead from lead-based paints,
- Crystalline silica from bricks and cement and other masonry products, and
- Arsenic and chromium from chemically treated lumber.

Your risk from these exposures varies depending on how often you do this type of work. To reduce your exposure to these chemicals: work in a well-ventilated area and work with approved safety equipment, such as those dust masks that are specially designed to filter out microscopic particles.

Handling the power cord on this product may expose you to chemicals known to the state of California to cause cancer and birth defects or other reproductive harm. Wash hands after handling.

**For more information go to: [www.P65Warnings.ca.gov](http://www.P65Warnings.ca.gov)**



**READ INSTRUCTION MANUAL:** To reduce the risk of injury, user and all bystanders must read instruction manual before using this product.

## **⚠ ELECTRICAL SAFETY INFORMATION**

### **ELECTRICAL SPECIFICATIONS AND SAFETY**

#### **⚠ CAUTION: POWER SUPPLY AND MOTOR**

The A/C motor used in this saw is a universal, nonreversible type. See “MOTOR” in the “PRODUCT SPECIFICATIONS” section on page 2.

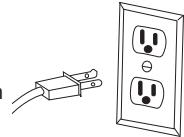
**To avoid electrical hazards, fire hazards or damage to the tool, use proper circuit protection. Your saw is wired at the factory for 120V operation. Connect to a 120V, 10A circuit and use a 15A time-delay fuse or circuit breaker. If power cord is worn or cut or damaged in any way, have it replaced immediately to avoid shock or fire.**

#### **DOUBLE INSULATED (Symbol: )**

This power tool is double insulated to provide a double thickness of insulation between you and the tool's electrical system. All exposed metal parts are isolated from the internal metal motor components with protective insulation.

**REPLACEMENT PARTS** – When servicing, use only identical replacement parts. Refer to the Replacement Parts List on the page 39.

**POLARIZED PLUGS** – To reduce the risk of electrical shock, this saw has a polarized plug (one blade is wider than the other). This plug (illustrated at right) will fit in a polarized outlet only one way. If the plug does not fit fully in the outlet, reverse the plug. If it still does not fit, contact a qualified electrician to install the proper outlet. Do not change the plug in any way.



**⚠ CAUTION: Double insulation does not take the place of normal safety precautions when operating this tool. To avoid electrocution:**

- Use only identical replacement parts when servicing a tool with double insulation. Servicing should be performed by a qualified technician.
- Do not use power tools in wet or damp locations or expose them to rain or snow.

### **MOTOR SAFETY PROTECTION**

**⚠ CAUTION:** To avoid motor damage, the motor should be blown out or vacuumed frequently to keep sawdust from interfering with motor ventilation.

- **CONNECT** this saw to a 120V circuit. This circuit must not be less than a #16 wire with a 15A time lag fuse.  
**NOTE:** When using an extension cord on a circuit with a #16 wire, the extension cord must not exceed 25 feet in length.
- If the motor will not start, release the trigger switch immediately. **UNPLUG THE SAW.** Check the saw blade to make sure it turns freely. If the blade is free, try to start the saw again. If the motor still does not start, refer to **TROUBLESHOOTING**.
- If the tool suddenly stalls while cutting wood, release the trigger switch, unplug the tool and free the blade from the wood. The saw may now be started and the cut finished.

- **FUSES** may “blow” or circuit breakers may trip frequently if:
  - **MOTOR** is overloaded – overloading can occur if you feed too rapidly or make too many starts/stops in a short time.
  - **LINE VOLTAGE** is more than 10% above or below the nameplate voltage rating. For heavy loads, the voltage at motor terminals must equal the voltage specified on the nameplate.
  - **IMPROPER** or dull saw blades are used.

### GUIDELINES FOR EXTENSION CORDS

When using an extension cord, be sure to use one heavy enough to carry the current your product will draw. An undersized cord will cause a drop in line voltage, resulting in loss of power and overheating. The table below shows the correct size to use depending on cord length and nameplate ampere rating. If in doubt, use the next heavier gauge. The smaller the gauge number, the heavier the cord.

| MINIMUM GAUGE FOR EXTENSION CORDS (AWG) |               |                      |        |                 |         |
|---|---------------|----------------------|--------|-----------------|---------|
| (When using 120 volts only)             |               |                      |        |                 |         |
| Ampere Rating                           |               | Total length of Cord |        |                 |         |
| More Than                               | Not More Than | 25 ft.               | 50 ft. | 100 ft.         | 150 ft. |
| 0                                       | 6             | 18                   | 16     | 16              | 14      |
| 6                                       | 10            | 18                   | 16     | 14              | 12      |
| 10                                      | 12            | 16                   | 16     | 14              | 12      |
| 12                                      | 16            | 14                   | 12     | Not Recommended |         |

**Be sure your extension cord is properly wired** and in good condition. Always replace a damaged extension cord or have it repaired by a qualified person before using it. Protect your extension cords from sharp objects, excessive heat and damp or wet areas.

**Use a separate electrical circuit for your tools.** This circuit must not be less than #12 wire and should be protected with a 15A time-delay fuse or circuit breaker. Before connecting the tool to the extension cord, make sure the saw switch is in the OFF position. The electric circuit should be rated at the same voltage as is stamped on the motor nameplate. Running at a lower voltage will damage the motor.

**⚠ CAUTION:** In all cases make certain the receptacle in question is properly grounded. If you are not sure, have a certified electrician check the receptacle.

## **PREPARATION**

---

Before beginning assembly or operation of the product, make sure all parts are present. Compare parts with package contents list and diagram on page 3. If any part is missing or damaged, do not attempt to assemble, install or operate the product.

**Estimated Assembly Time: 10 minutes.**

Tools needed to remove or install blade (included): Blade Wrench.

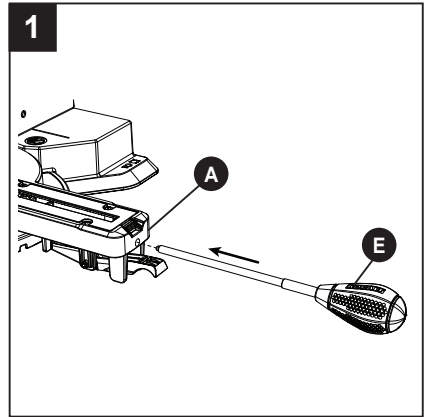
Tools Required for Adjustment (not included): Adjustable Wrench, 6 mm Hex Wrench, 10 mm Wrench, Combination Square, Phillips Screwdriver, Flathead Screwdriver.

## ASSEMBLY INSTRUCTIONS

**⚠ WARNING:** To avoid injury, do not connect this miter saw to a power source until it is completely assembled and adjusted and you have read and understood the operator's manual.

### INSTALLING THE MITER HANDLE (FIG. 1)

- Thread the miter handle (E) into the hole located at the front of the miter saw (A).



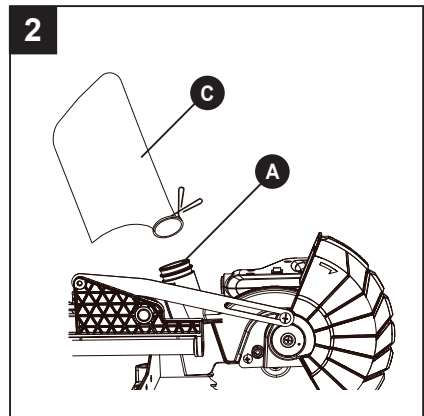
### INSTALLING THE DUST BAG (FIG. 2)

- Squeeze the metal collar wings on the dust bag (C).
- Place the dust bag neck opening around the exhaust port on the miter saw (A) and release the metal collar wings.

**NOTE:** To empty the dust bag, squeeze the metal collar wings and remove from exhaust port. Open zipper on underside of bag and empty into waste container.

**IMPORTANT:** Check frequently and empty bag before it gets full.

**⚠ WARNING:** Do not use this saw to cut and/or sand metals. The hot chips or sparks may ignite sawdust from the bag material.

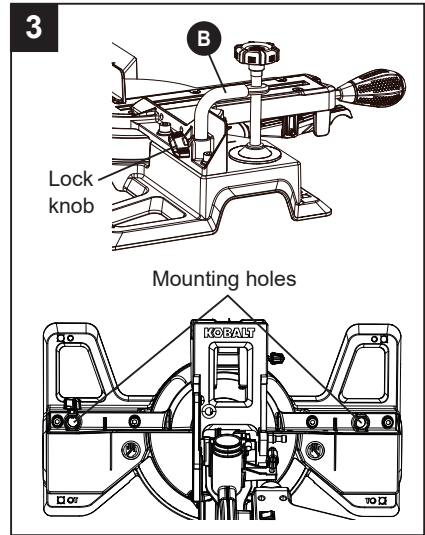


### INSTALLING THE HOLD-DOWN CLAMP (FIG. 3)

**NOTE:** There are two mounting holes for the hold-down clamp. These are located just behind the fence on the left and right side of the base.

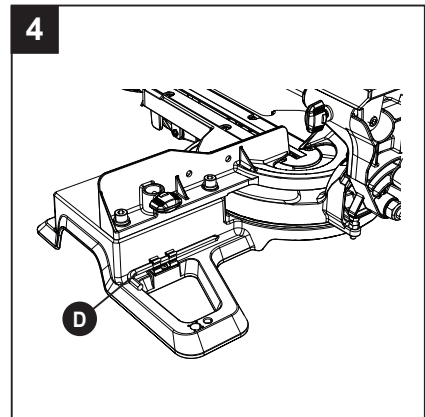
- Loosen the lock knob behind the fence.
- Place the hold-down clamp (B) in the desired mounting hole.
- Tighten the lock knob to hold the hold-down clamp.

**NOTE:** Place the clamp on the opposite side of the base when beveling. ALWAYS MAKE DRY RUNS (UNPOWERED) BEFORE FINISH CUTS TO CHECK THE PATH OF THE BLADE. ENSURE THE CLAMP DOES NOT INTERFERE WITH THE ACTION OF THE SAW OR GUARDS.



### BLADE WRENCH (FIG. 4)

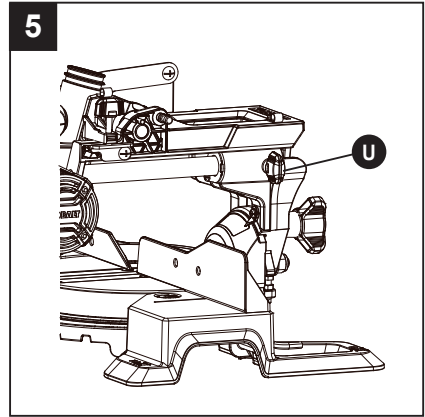
For convenient storage and prevention of loss, there is a holder in the rear of the right side fence for storing the blade wrench (D) when not in use. Place the provided wrench in this location.



## ADJUSTMENT INSTRUCTIONS

### UNLOCKING THE SLIDE CARRIAGE (FIG. 5)

- After removing the saw from the carton, loosen the sliding carriage lock knob (U). When transporting or storing the miter saw, the slide carriage should always be locked in position. The sliding carriage lock knob (U) is located on the right side of the slide carriage.



### UNLOCKING AND LOCKING THE CUTTING HEAD (FIG. 6)

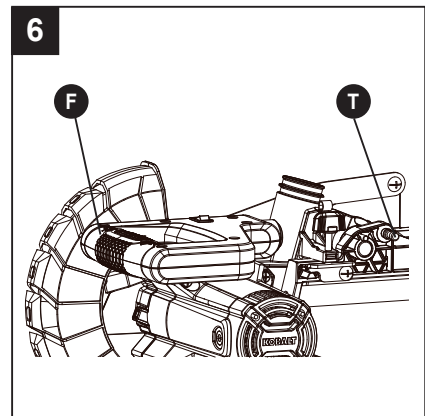
#### Unlocking the cutting head:

- To raise the cutting head from its storage/transport position: push down slightly on the switch handle (F).
- Pull out the hold-down latch (T).
- Allow the cutting head to rise to the up position.

#### Locking the cutting head:

When transporting or storing the miter saw, the cutting head should always be locked in the down position.

- Push the cutting head down to its lowest position.
- Push the hold-down latch (T) into the locking hole.



**⚠ CAUTION:** To avoid injury and damage to the saw, transport and store the miter saw with the cutting head locked in the down position. Never use the hold-down latch to hold the cutting head in a down position for cutting operations.

**IMPORTANT:** To avoid damage, never carry the miter saw by the switch handle, the cutting arm or the miter table handle. ALWAYS use the hand holds for transportation.

## REMOVING AND INSTALLING THE TABLE INSERT (FIG. 7)

**NOTE:** The miter saw comes with the table insert already installed. These instructions are for replacing or adjusting the insert.

### **⚠ WARNING**

To avoid injury:

- Always unplug the saw to avoid accidental starting. Remove all small pieces of material from the table cavity before performing any cuts. The table insert may be removed for this purpose, but always reattach the table insert prior to performing a cutting operation.
- Do not start the sliding compound miter saw without checking for interference between the blade and table insert. Damage could result to the blade, table insert or turntable if blade strike occurs during the cutting operation.
- To remove, loosen and remove the six screws (1) on the table insert (K) with the cross end of the provided blade wrench and remove the insert.
- To install, reposition the table insert, install the six screws and tighten.
- Check for blade clearance by moving the slide carriage through the full motion of the blade in the table slot.

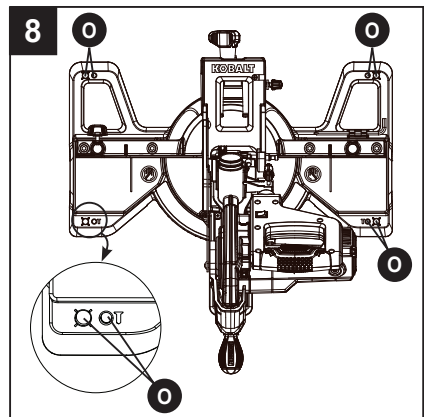
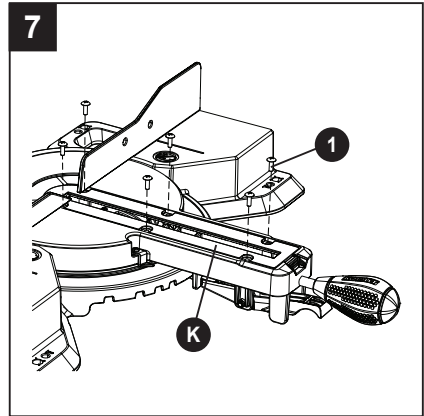
**⚠ WARNING:** NEVER USE THE SAW WITHOUT THE TABLE INSERT IN PLACE.

## MOUNTING THE MITER SAW (FIG. 8, 9, 10)

### **⚠ WARNING**

To avoid injury from unexpected saw movement:

- Disconnect the power cord from the outlet and lock the cutting head in the lower position using the hold-down latch.
- Lock the slide carriage in place by tightening the slide carriage lock knob.
- To avoid back injury, lift the saw by using the hand holds for transportation. Bend with your knees, not your back.
- Never carry the miter saw by the power cord or by the switch handle. Carrying the tool by the power cord could cause damage to the insulation or the wire connections resulting in electric shock or fire.
- To avoid injury from flying debris, do not allow visitors to stand near the saw during any cutting operations.



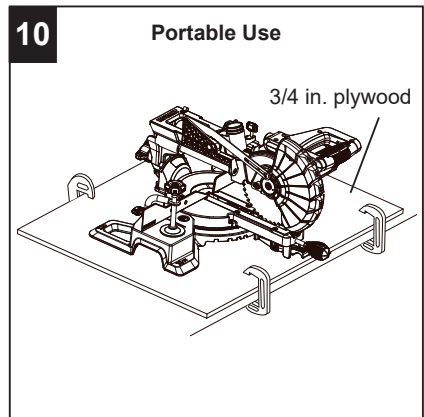
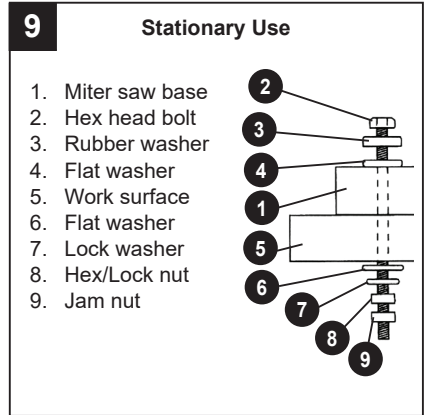
### Mounting instructions:

- **For stationary use**, place the saw in the desired location, directly on a workbench where there is room for handling and proper support of the workpiece. The base of the saw has eight mounting holes (O - Fig. 8), four 9/32 in. holes for mounting the saw to the work surface. Bolt the base of the miter saw (1) to the work surface (5), using the recommended fastening method as shown in Fig. 9.

**NOTE:** Mounting hardware is not included with this tool. Bolts, nuts, washers and screws must be purchased separately.

- **For portable use**, place the saw on a 3/4 in. thick piece of plywood. Bolt the base of the miter saw securely to the plywood using the 9/32 in. mounting holes (O - Fig. 8) on the base. Use C-clamps to clamp this mounting board to a stable work surface at the worksite. (Fig. 10)

**NOTE:** If a miter saw stand is used, please follow all instructions shown in that product's instructions for proper mounting.



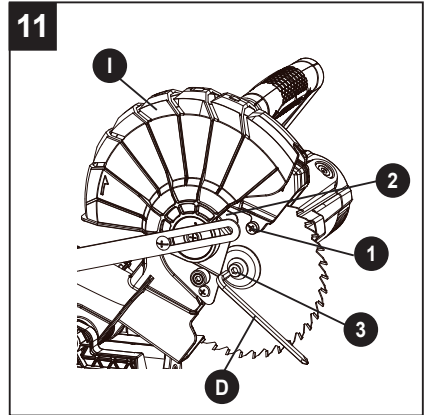
## REMOVING AND INSTALLING THE BLADE

### **⚠ WARNING**

- Use only a saw blade diameter in accordance with the markings on the saw.
- Only use 7-1/4 in. diameter crosscut blades on this saw. Do not use blades with deep gullets. These can deflect and contact the guard, and can cause damage to the machine and/or serious injury. To avoid injury from an accidental start, make sure the switch is in the OFF position and the plug is not connected to the power source outlet.

**NOTE:** The miter saw comes with the saw blade already installed.

- Make sure the blade is installed correctly and is tight before operating.



### REMOVING THE BLADE (FIG. 11, 12, 13)

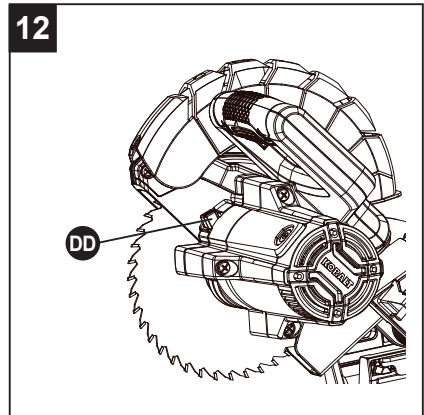
- Unplug the saw from the outlet.
- Allow the miter saw cutting head to rise to the upright position. Raise the lower blade guard (I) to the up position. (Fig. 11)
- Loosen the cover plate screw (1) with the cross end of the provided blade wrench (D).

**NOTE:** Do not remove this screw.

- Rotate the cover plate (2) upward to expose the arbor bolt (3).
- Place the hex end of the blade wrench (D) over the arbor bolt.
- Locate the arbor lock button (DD) below the miter saw switch handle. (Fig. 12)
- Press the arbor lock button, holding it in firmly and turning the blade by hand clockwise until the arbor lock engages. Continue to hold the arbor lock button to keep it engaged, while turning the wrench clockwise to loosen the arbor bolt (3).
- Remove the arbor bolt (3), the outer blade collar (4) and the blade (CC). (Fig. 13)

**⚠ WARNING:** Do not remove the inner blade collar (5). (Fig. 13)

**NOTE:** Pay attention to the pieces removed, noting their position and direction they face. Wipe the blade collar clean of any sawdust before installing a new blade.



## INSTALLING THE BLADE (FIG. 11, 12, 13)

Unplug the miter saw before changing/installing the blade.

- Install a 7-1/4 in. blade with a 5/8 in. arbor hole, making sure the rotation arrow on the blade matches the clockwise rotation arrow on the upper guard and the blade teeth are pointing downward at the front of the saw.
- Place the blade (CC) onto the arbor (6) and against the inner blade collar (5). Then, place the outer blade collar (4) and thread the arbor bolt (3) counterclockwise onto the arbor. (Fig. 13)

**IMPORTANT:** The flat side of the blade collars must be placed against the blade. Do not install the collars with the curved side against the blade.

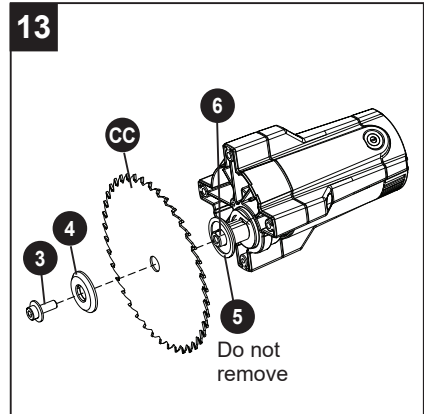
- Place the blade wrench on the arbor bolt.
- Press the arbor lock button (DD), holding it in firmly while turning the blade counterclockwise. When arbor lock engages, continue to press it in while tightening the arbor bolt securely. (Fig. 12)
- Rotate the cover plate (2) back to its original position until the slot in the cover plate engages with the cover plate screw (1). While holding the lower blade guard, tighten the screw with the cross end of the provided blade wrench. (Fig. 11)

**NOTE:** The lower blade guard must be raised to the upright position to access the cover plate screw.

- Lower the blade guard (I) and verify that the operation of the guard does not bind or stick. (Fig. 11)
- Be sure the arbor lock is released so the blade turns freely before operating the saw.

### **⚠ WARNING**

- To avoid injury, never use the saw without the cover plate securely in place. It keeps the arbor bolt from falling out if it accidentally loosens and helps prevent the spinning blade from coming off the saw.
- Make sure the collars are clean and properly arranged. Lower the blade into the lower table and check for any contact with the metal base or the miter table.
- To avoid injury from an accidental start, make sure the switch is in the OFF position and the plug is not connected to the power source outlet.
- Never cut metals or masonry products with this tool. This miter saw is designed for use on wood and wood-like products only.
- ALWAYS MAKE DRY RUNS (UNPOWERED) BEFORE FINISH CUTS TO CHECK THE PATH OF THE BLADE AND THE OPERATION OF THE GUARDS.

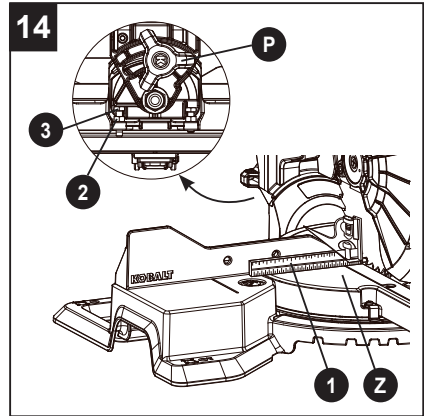


## BEVEL STOP ADJUSTMENT (FIG. 14, 15, 16)

**⚠ WARNING:** To avoid injury from an accidental start, make sure the switch is in the OFF position and the plug is not connected to the power source outlet.

### 90° (0°) Bevel Adjustment (Fig. 14):

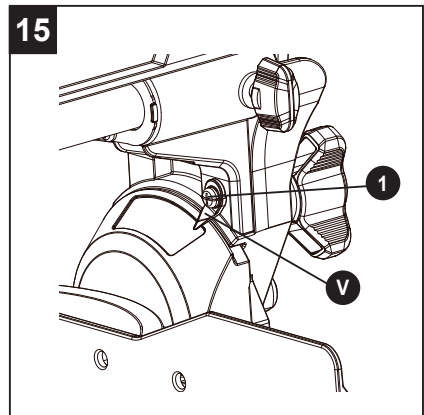
- Loosen bevel lock handle (P) and tilt the cutting arm completely to the right. Tighten the bevel lock handle.
- Place a combination square (1) on the miter table (Z) with the ruler against the table and the heel of the square against the saw blade.
- If the blade is not 90° square with the miter table (Z), loosen the bevel lock handle (P), tilt the cutting head to the left, loosen the locknut (2) and turn the bevel angle adjustment bolt (3) in or out with a 10 mm wrench until the blade is square with the table.
- Tilt the cutting arm back to the right at 90° (0°) bevel and recheck for alignment.
- Repeat steps 1 through 4 if further adjustment is needed.
- Tighten bevel lock handle and locknut (2) when alignment is achieved.



### 90° Bevel Indicator Adjustment (Fig. 15):

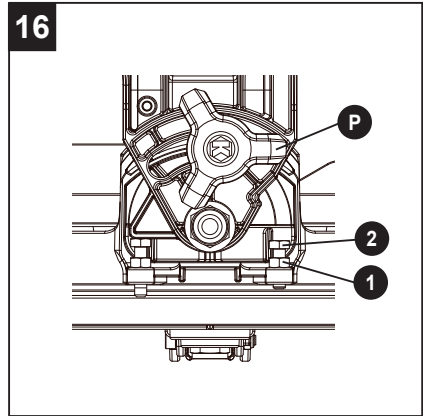
- When the blade is exactly 90° to the table, loosen the bevel pointer screw (1) using a Phillips screwdriver.
- Adjust bevel angle pointer (V) to the "0" mark on the bevel scale and retighten the screw.

**⚠ WARNING:** To avoid injury from an accidental start, make sure the switch is in the OFF position and the plug is not connected to the power source outlet.



### 45° Bevel Adjustment (Fig. 16):

- Loosen the bevel lock handle (P) and tilt the cutting head completely to the left.
- Using a combination square, check to see if the blade angle is 45° to the table.
- If the blade is not at 45° to the miter table, tilt the cutting arm to the right, loosen the locknut (1) on the bevel angle adjustment bolt (2) and use a 10 mm wrench to adjust the adjustment bolt (2) depth in or out to increase or decrease the bevel angle.
- Tilt the cutting arm to the left to 45° bevel and recheck for alignment.
- Repeat steps 1 through 4 until the blade is at 45° to the miter table.
- Tighten bevel lock handle (P) and locknut (1) when alignment is achieved.

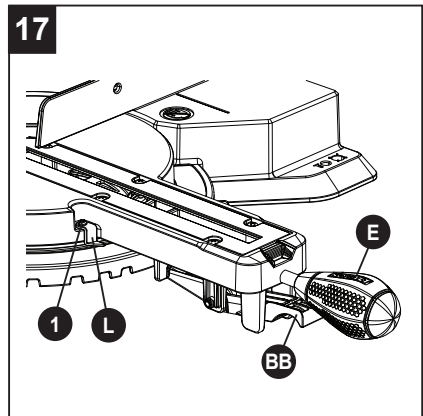


### MITER SCALE (FIG. 17)

The sliding compound miter saw scale can be easily read, showing miter angles from 0° to 50° to the left, and 0° to 50° to the right. The miter saw table has nine of the most common angle settings with positive stops at 0°, 15°, 22.5°, 31.6°, and 45°. These positive stops position the blade at the desired angle quickly and accurately. Follow the instructions below for quickest and most accurate adjustments.

#### To Adjust Miter Angles:

- Unlock the miter table by turning the miter handle (E) counterclockwise.
- Move the turntable while lifting up on the positive stop locking lever (BB) to align the pointer (L) to the desired degree measurement.
- If the desired angle is one of the nine positive stops, release the positive stop locking lever, making sure the lever snaps into position, and then secure by tightening the miter handle.
- If the miter angle desired is not one of the nine positive stops, simply lock the miter table into desired angle position by turning the miter handle in the clockwise direction.



#### Miter Angle Pointer Adjustment (Fig. 17)

- Move the table to the 0° positive stop.
- Loosen the screw (1) that holds the pointer with a Phillips screwdriver.
- Adjust the pointer (L) to the 0° mark and retighten the screw.

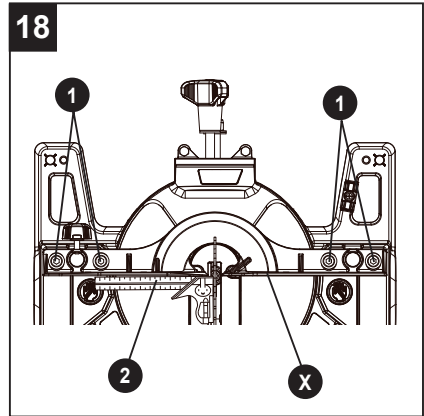
### ADJUSTING FENCE SQUARENESS (FIG. 18)

- Lower the cutting arm and lock in position.
- Loosen the four fence locking bolts (1) with a 6 mm hex wrench.
- Using a square (2), lay the heel of the square against the blade and the ruler against the fence (X) as shown.
- Adjust the fence 90° to the blade and tighten the four fence locking bolts.

**NOTE:** If the saw has not been used recently, recheck blade squareness to the fence and readjust if needed.

- After fence has been aligned, make a cut at 90° using a scrap piece of wood and check squareness on the piece. Readjust if necessary.

**⚠ WARNING:** ALWAYS MAKE DRY RUNS (UNPOWERED) BEFORE FINISH CUTS TO CHECK THE PATH OF THE BLADE AND THE OPERATION OF THE GUARDS. ENSURE THE FENCE DOES NOT INTERFERE WITH THE ACTION OF THE SAW OR GUARDS.

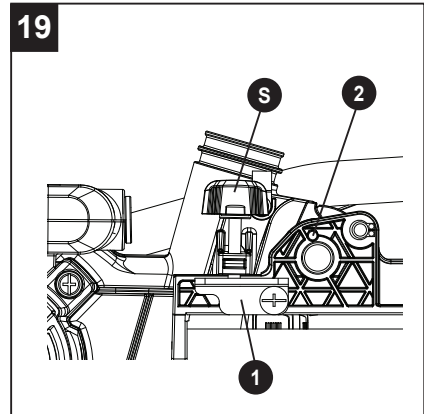


### SETTING CUTTING DEPTH (FIG. 19)

The depth of cut can be preset for even and repetitive shallow cuts.

- Adjust the cutting head down until the teeth of the blade are at the desired depth.
- While holding the upper arm in that position, turn the cutting depth stop knob (S) until it touches the stop plate (1).
- Recheck the blade depth by moving the cutting head front to back through the full motion of a typical cut along the control arm.

**NOTE:** Use a wooden spacer between the fence and the workpiece for a consistent depth through the cut. Use the hold-down clamp to secure the wooden spacer and workpiece firmly before making the cut.



### MAXIMUM CUTTING DEPTH (FIG. 19)

The maximum depth travel of the cutting head was set at the factory.

- Rotate the stop plate (1) clockwise to touch the stop rod (2).
- Recheck the blade depth by moving the cutting head front to back through the full motion of a typical cut along the control arm.

## OPERATING INSTRUCTIONS

---

### BEFORE USING THE MITER SAW

**⚠ WARNING:** To avoid mistakes that could cause serious, permanent injury, do not plug the tool in until the following steps are completed:

- Completely assemble and adjust the saw, following the instructions (SEE ASSEMBLY AND ADJUSTMENTS SECTIONS).
- Learn the use and function of the ON/OFF switch, upper and lower blade guards, hold-down latch, bevel lock handle and cover plate screws.
- Review and understand all safety instructions and operating procedures in this Operator's Manual (SEE SAFETY & OPERATIONS SECTIONS).
- Review the MAINTENANCE and TROUBLESHOOTING for your miter saw.
- To avoid injury or possible death from electrical shock, make sure your fingers do not touch the plug's metal prongs when plugging or unplugging your miter saw (SEE ELECTRICAL REQUIREMENTS AND SAFETY SECTIONS).

### BEFORE EACH USE

Inspect your saw.


- Disconnect the miter saw. To avoid injury from accidental starting, unplug the saw before making any adjustments, including setup and blade changes.
- Compare the direction of rotation arrow on the guard to the direction arrow on the blade. The blade teeth should always point downward at the front of the saw.
- Tighten the arbor bolt.
- Tighten the cover plate screw.
- Check for damaged parts, including:
  - Alignment of moving parts
  - Damaged blade teeth
  - Damaged electric cords
  - Binding of moving parts
  - Broken/cracked castings: base, table, motor, upper arm
- Function of arm return spring and lower guard: Push the cutting arm all the way down and then let it rise until it stops. The lower guard should close fully. Follow the instructions in the Troubleshooting for adjustment, if necessary.
- Keep all guards in place, in working order and properly adjusted. If any part of this miter saw is missing, damaged or broken, or any electrical parts do not work, turn off the saw and unplug it. Replace damaged, missing or defective parts before using the saw again.
- Maintain tools with care. Keep the miter saw clean for best and safest performance. Follow instructions for lubricating. Do not apply lubricants to the blade while it is spinning.
- Remove all adjusting wrenches from the tool before turning it on.

### USE ONLY THE RECOMMENDED ACCESSORIES

- Follow the instructions that come with the accessory. The use of improper accessories may cause risk of injury to persons.
- Choose the correct 7-1/4 in. blade for the material and the type of cutting you plan to do.
- Make sure the blade is sharp, undamaged and properly aligned. With the saw unplugged, push the cutting arm all the way down. Manually spin the blade and check for clearance. Tilt the miter head to a 45° bevel and repeat the test.
- Make sure the blade and arbor collars are clean.
- Make sure all clamps and locks are tight and there is no excessive play in any parts.

## KEEP YOUR WORK AREA CLEAN

Cluttered areas and benches invite accidents.

 **WARNING:** To avoid burns or other fire damage, never use the miter saw near flammable liquids, vapors or gases.

- Plan ahead to protect your eyes, hands, face and ears.
- Read and understand the operator's manual and labels affixed to the tool. Learn its application and limitations as well as the potential hazards specific to this tool. To avoid injury from accidental contact with moving parts, do not layout, assemble or set up work on the miter saw.
- Avoid accidental starting. Make sure the switch is in the OFF position before plugging the miter saw into a power outlet.

## PLAN YOUR WORK

Use the right tool. Do not force a tool or attachment to do a job it was not designed to do. Use a different tool for any workpiece that cannot be held in a solidly braced, fixed position.

 **WARNING**

This machine is NOT designed for cutting masonry, masonry products or ferrous metals (steel, iron and iron-based metals). Use this miter saw to cut only wood and wood by-products. Other materials may shatter, bind the blade or create other dangers. Remove all nails that may be in the workpiece to prevent sparking that could cause a fire.

## DRESS FOR SAFETY

Any power tool can throw foreign objects into the eyes. This can result in permanent eye damage. Everyday eyeglasses have only impact resistant lenses and are not safety glasses. Glasses or goggles not in compliance with ANSI Z87.1 could seriously injure you if they break.

- Do not wear loose clothing, gloves, neckties or jewelry (rings, watches). They can get caught and draw you into moving parts.
- Wear non-slip footwear.
- Tie back long hair.
- Roll long sleeves above the elbow.
- Noise levels vary widely. To avoid possible hearing damage, wear earplugs when using any miter saw.
- For dusty operations, wear a dust mask along with safety goggles.

## INSPECT YOUR WORKPIECE

- Make sure there are no nails or foreign objects in the part of the workpiece being cut.
- Plan your work to avoid small pieces that may bind or are too small to clamp and hold securely.
- Plan the way you will grasp the workpiece from start to finish. Avoid awkward operations and hand positions. A sudden slip could cause your fingers or hand to move into the blade.

## DO NOT OVERREACH

Keep good footing and balance. Keep your face and body to one side, out of the line of a possible kickback. NEVER stand in the line of the blade.

**Never cut freehand:**

- Brace your workpiece firmly against the fence and table stop so it will not rock or twist during the cut.
- Make sure there is no debris between the workpiece and the table or fence. Make sure there are no gaps between the workpiece, fence and table that will let the workpiece shift after it is cut.
- Keep the cut piece free to move sideways after it is cut off. Otherwise, it could get wedged against the blade and thrown violently.
- Only the workpiece should be on the saw table.
- Secure work. Use clamps or a vise to help hold the work when it is practical.

**USE EXTRA CAUTION WITH LARGE OR ODD SHAPED WORKPIECES**

- Use extra supports (tables, sawhorses, blocks, etc.) for workpieces large enough to tip.
- Never use another person as a substitute for a table extension or as an additional support for a workpiece that is longer or wider than the basic miter saw table, or to help feed, support or pull the workpiece.
- Do not use this saw to cut small pieces. If the workpiece being cut would cause your hand or fingers to be within 6-11/16 in. of the saw blade, the workpiece is too small. Keep hands and fingers out of the “no-hands zone” area marked on the saw table.
- When cutting odd shaped workpieces, plan your work so it will not bind in the blade and cause possible injury. Molding, for example, must lie flat or be held by a fixture or jig that will not let it move when cut.
- Properly support round material such as dowel rods or tubing, which have a tendency to roll when cut, causing the blade to “bite.”

**WHEN SAW IS RUNNING**** WARNING**

Do not allow familiarity from frequent use of your miter saw to result in a careless mistake. A careless fraction of a second is enough to cause severe injury.

Before cutting, if the saw makes an unfamiliar noise or vibrates, stop immediately. Turn the saw OFF. Unplug the saw. Do not restart until you find and correct the problem.

** WARNING**

To ensure the blade path is clear of obstructions, always make a dry run of the cut without power before making any cuts on the workpiece.

## BODY AND HAND POSITION (FIG. 20)

### **⚠ WARNING**

Never place hands near the cutting area. Proper positioning of your body and hands when operating the miter saw will make cutting easier and safer. Keep children away. Keep all visitors at a safe distance from the miter saw. Make sure bystanders are clear of the saw and workpiece. Do not force the saw. It will do the job better and safer at its designed rate.

### **⚠ WARNING**

Operator and all by-standers must wear proper safety goggles that comply with OSHA/ANSI requirements Z87.1.

### **Starting a cut:**

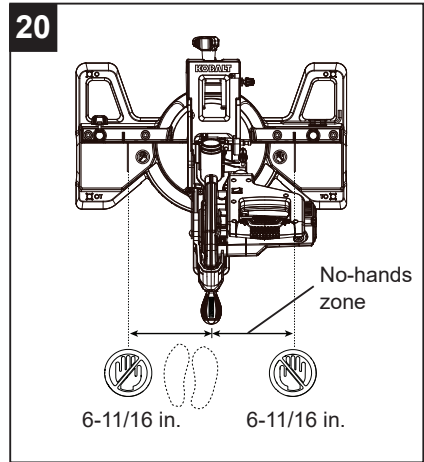
- Place hands at least 6-11/16 in. away from the path of the blade – out of the “no-hands zone.”
- Hold workpiece firmly against the fence to prevent movement toward the blade.
- Turn the LED switch on for pre-alignment of your cut.
- With the power switch OFF, bring the saw blade down to the workpiece to see the cutting path of the blade. Raise the saw blade back up before turning the saw on.
- Squeeze trigger switch to start saw.
- Lower blade into workpiece with a firm downward motion.
- On wider boards, slide the cutting arm back toward fence to make the cut.

### **Finishing a cut:**

- Hold the cutting arm in the down position.
- Release trigger switch and wait for all moving parts to stop before moving your hands and raising the cutting arm.
- If the blade doesn't stop within 10 seconds, unplug the saw and follow the instructions in TROUBLESHOOTING.

### **Before freeing jammed material:**

- Release trigger switch.
- Wait for all moving parts to stop.
- Unplug the miter saw.



## BASIC SAW OPERATIONS

### TURNING THE LED LIGHT ON (FIG. 21)

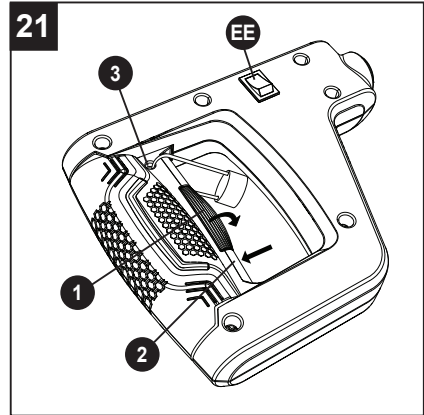
Press the LED ON/OFF switch (EE) to "ON" position to turn the light on.

#### **⚠ WARNING**

Do not stare into the light beam (not even from a distance). Staring into the light beam may result in serious injury or vision loss.

The LED casts a shadow of the blade teeth onto the workpiece for making precision cuts and predicts blade kerf for blade cut line.

To use this feature, turn the LED ON/OFF switch (EE) on. Bring the cutting head down, and the shadow of the blade will be projected onto the workpiece, indicating where the blade teeth will make contact as the cut is made.



### TURNING THE SAW ON (FIG. 21)

This miter saw is equipped with a two step ON/OFF trigger switch. Press down on the yellow safety lock switch (1) and squeeze the trigger switch (2) to turn the miter saw ON.

**NOTE:** Make the ON/OFF switch childproof. Insert a padlock (not included) through the hole (3) in the trigger switch, locking the tool's switch and preventing children and other unauthorized users from turning the machine on.

When the trigger switch is released, the blade will be stopped within 10 seconds.

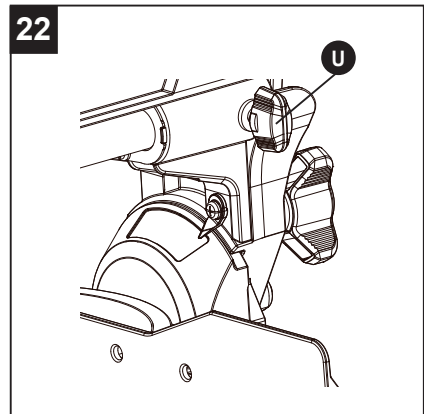
#### **⚠ WARNING**

- To avoid injury, after completing a cut and releasing the trigger switch, wait and confirm the blade has stopped before raising the cutting head.
- To avoid injury, check and tighten the arbor bolt periodically.

### SLIDING CARRIAGE SYSTEM (FIG. 22)

**⚠ CAUTION:** To reduce the risk of injury, return carriage to the full rear position after each crosscut operation.

- For chop cutting operations on small workpieces, slide the cutting head assembly completely toward the rear of the unit and tighten the sliding carriage lock knob (U).
- To cut wide boards up to 8 in., the sliding carriage lock knob (U) must be loosened to allow the cutting head to slide freely.



## BEFORE LEAVING THE SAW

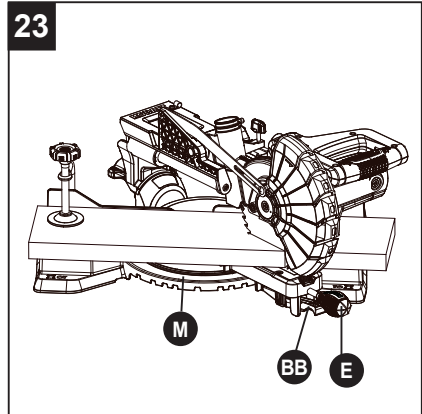
- Never leave tool running unattended. Turn power OFF. Wait for all moving parts to stop.
- Make workshop childproof. Lock the shop. Disconnect master switches. Store tool away from children and other unqualified users.

**⚠ WARNING:** To avoid injury from materials being thrown, always unplug the saw to avoid accidental starting and remove small pieces of material from the table cavity.

## MITER CUT (FIG. 23)

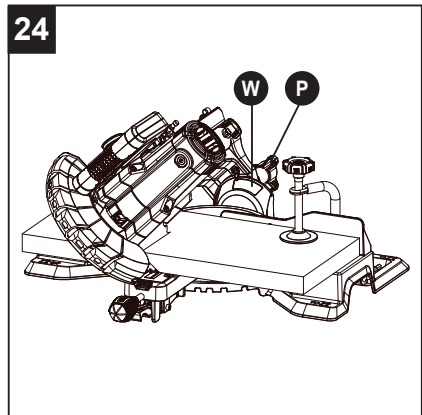
- When a miter cut is required, unlock the miter table by turning the miter handle (E) counterclockwise.
- While holding the miter handle, lift up on the positive stop locking lever (BB).
- Rotate the miter table to the right or left with the miter handle.
- When the table is in the desired position, as shown on the miter scale (M), release the positive stop locking lever and tighten the miter handle. The table is now locked at the desired angle. Positive stops are provided at 0°, 15°, 22.5°, 31.6°, 45° right and left.
- Turn the LED switch on and position the workpiece on the table for pre-alignment of your cut.

**IMPORTANT:** Always tighten the miter table lock handle before performing every cutting operation.



## BEVEL CUT (FIG. 24)

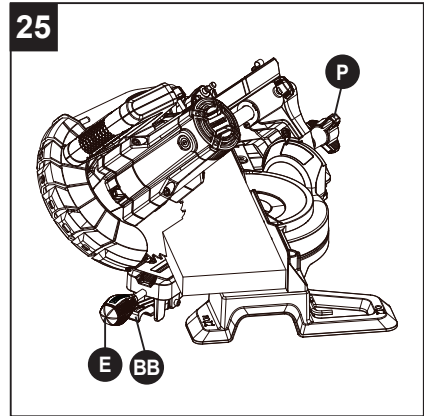
- When a bevel cut is required, loosen the bevel lock handle (P) by turning it clockwise.
- Tilt the cutting head to the desired angle, as shown on the bevel scale (W).
- The blade can be positioned at any angle, from a 90° straight cut (0° on the scale) to a 45° left bevel. Tighten the bevel lock handle (P) to lock the cutting head in position. Positive stops are provided at 0° and 45°.
- Turn the LED switch on and position the workpiece on the table for pre-alignment of your cut.



### COMPOUND CUT (FIG. 25)

A compound cut is the combination of a miter and a bevel cut simultaneously.

- Loosen the miter handle (E). Lift up the positive stop locking lever (BB) and position the table at the desired angle. Release the positive stop locking lever (BB) and lock the miter handle (E).
- Loosen the bevel lock handle (P) and position the cutting head at the desired bevel position. Lock the bevel lock handle (P).
- Turn the LED switch on and position the workpiece on the table for pre-alignment of your cut.

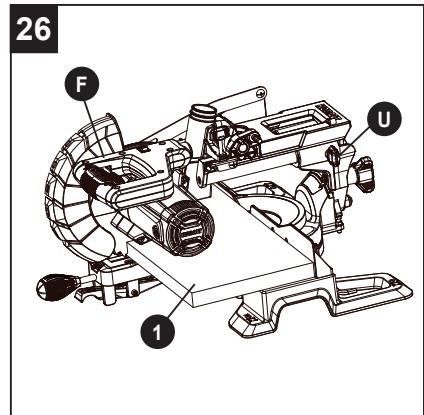


### SLIDE CUTTING WIDE BOARDS (FIG. 26)

**CAUTION:** Always use a work clamp to maintain control and reduce the risk of workpiece damage and personal injury.

#### To avoid injury:

- Let the blade reach full speed before cutting. This will help reduce the risk of a thrown workpiece.
- Do not make crosscuts by lowering the blade and pulling the saw head through the wood toward you. The blade may try to climb up on top of the workpiece, causing the cutting assembly and spinning blade to kick back forcefully.

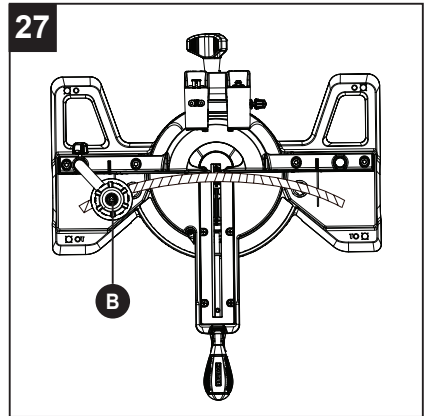


#### To slide cut wide boards (Fig. 26)

- Unlock the sliding carriage lock knob (U) and allow the cutting head assembly to move freely.
- Set both the desired bevel angle and/or the miter angle and lock into position.
- Use a hold-down clamp to secure the workpiece (1).  
**NOTE:** The hold-down clamp **SHOULD** be placed on the left side for use.
- Grasp and pull the switch handle (F) forward until the center of the saw blade is over the front of the workpiece (1).
- Engage the trigger to turn the saw on.
- When the saw reaches full speed, slowly push the switch handle down, cutting through the leading edge of the workpiece.
- Slowly move the switch handle toward the fence, completing the cut.
- Release the trigger and allow the blade to stop spinning before raising the cutting head and removing the workpiece.

### CUTTING BOWED MATERIAL (FIG. 27)

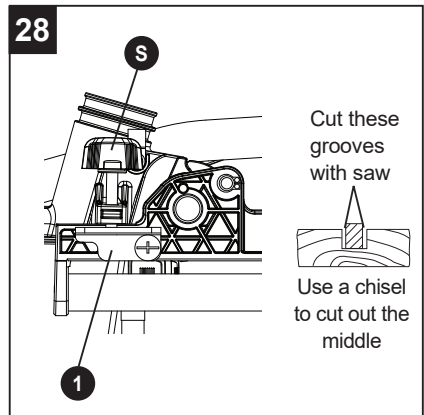
A bowed workpiece must be positioned against the fence and secured with a clamp (B) before cutting as shown. Do not position workpiece incorrectly or try to cut the workpiece without the support of the fence. This will cause the blade to bind and could result in personal injury.



### CUTTING GROOVES (FIG. 28)

**⚠ WARNING: DO NOT USE A DADO BLADE, use only the standard saw blade for this operation.**

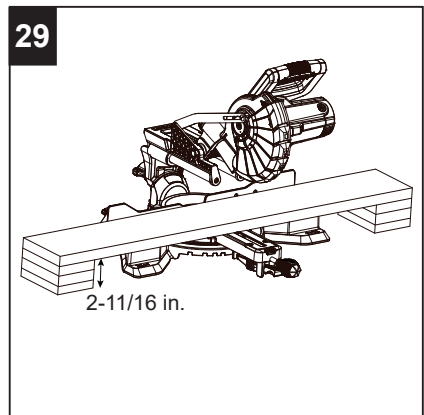
- Mark lines to identify the width and depth of the desired cut on the workpiece and put the workpiece on the table and aim the inside tip of the blade at the line. Use a clamp to secure the workpiece on the table.
- Lower the cutting head so the tip of the blade touches the top surface of the workpiece at the marked line.
- While holding the upper arm in position, turn the cutting depth stop knob (S) until it touches the stop plate (1). (SEE "SETTING CUTTING DEPTH" on page 23).
- Cut two parallel grooves as shown.



### WORKPIECE SUPPORT (FIG. 29)

Long pieces need extra support. The support should be placed under the workpiece. Keep your hand holding the workpiece positioned 6-11/16 in. or more away from the blade. The support must let the workpiece lay flat on the worktable during the cutting operation.

**NOTE:** When mounted on a flat surface, the saw table is 2-11/16 in. high.



### AUXILIARY WOOD FENCE (FIG. 30)

When making multiple or repetitive cuts that result in cut-off pieces of one inch or less, it is possible for the saw blade to catch the cut-off piece and throw it out of the saw or into the blade guard and housing, possibly causing damage or injury. To minimize this, an auxiliary wood fence can be mounted to your saw. Holes are provided in the saw fence to attach an auxiliary wood fence (this provides additional depth of cut). This fence should be constructed of straight auxiliary wood approximately 3/4 in. thick by 1-1/2 in. high by 16 in. long. Attach the wood fence securely and make a full depth cut to make a blade slot. Check for interference between the wood fence and the lower blade guard. Adjust if necessary.

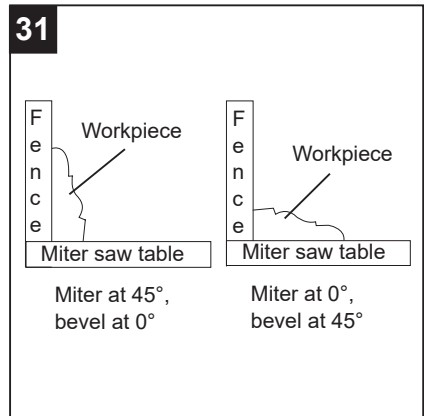
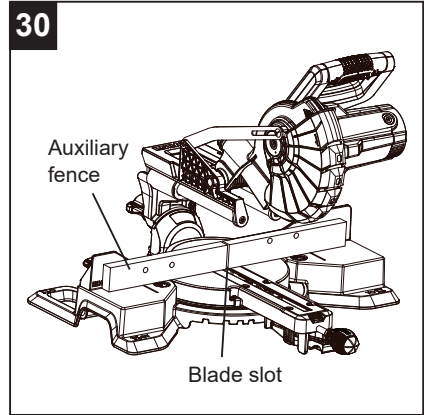
**NOTE:** This auxiliary fence is used only with the saw blade in the 0° bevel position (90° to the table). The auxiliary wood fence must be removed when bevel cutting.

### CUTTING BASE MOLDING (FIG. 31)

Base moldings and many other moldings can be cut on a compound miter saw. The setup of the saw depends on molding characteristics and applications, as shown. Perform practice cuts on scrap material to achieve best results:

- Always make sure moldings rest firmly against the fence and table. Use hold-down or C-clamps, whenever possible, and place tape on the area being clamped to avoid marks.
- Reduce splintering by taping the cut area prior to making cut. Mark cut line directly on the tape.
- Splintering typically happens due to wrong blade application and thinness of the material.

**NOTE:** Always perform a dry run cut so you can determine if the operation being attempted is possible before power is applied to the saw.



### CUTTING CROWN MOLDING (FIG. 32, 33)

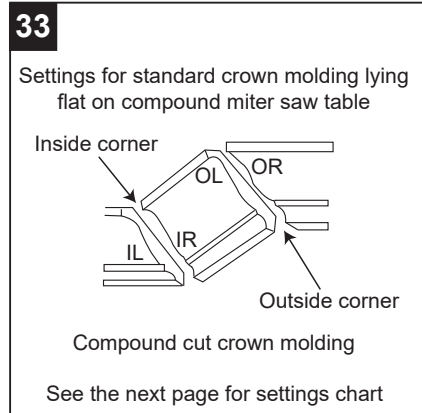
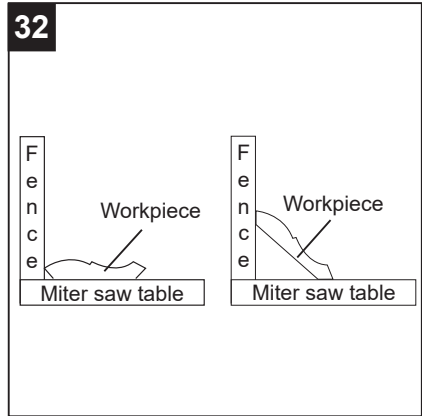
Your compound miter saw is suited for the difficult task of cutting crown molding. To fit properly, crown molding must be compound-mitered with extreme accuracy. The two surfaces on a piece of crown molding that fit flat against the ceiling and wall are at angles that, **when added together, equal exactly 90°.**

Most crown molding has a top rear angle (the section that fits flat against the ceiling) of 52° and a bottom rear angle (the section that fits flat against the wall) of 38°.

In order to accurately cut crown molding for a **90° inside or outside corner**, lay the molding with its broad back surface flat on the saw table.

When setting the bevel and miter angles for compound miters, remember the settings are interdependent; changing one changes the other, as well.

**NOTE: The chart on the next page references a compound cut for crown molding ONLY WHEN THE ANGLE BETWEEN THE WALLS EQUALS 90°.**



**Bevel/Miter Settings**

**NOTE: The chart below references a compound cut for crown molding ONLY WHEN THE ANGLE BETWEEN THE WALLS EQUALS EXACTLY 90°.**

| KEY                         | BEVEL ANGLE SETTING | MITER ANGLE SETTING | TYPE OF CUT  |
|-----------------------------|---------------------|---------------------|--|
| Inside Corner - Left Side   |                     |                     |  |
| IL                          | 33.9°               | 31.6° Right         | 1. Position top of molding against fence.<br>2. LEFT side is finished piece.     |
| Inside Corner - Right Side  |                     |                     |  |
| IR                          | 33.9°               | 31.6° Left          | 1. Position bottom of molding against fence.<br>2. LEFT side is finished piece.  |
| Outside Corner-Left Side    |                     |                     |  |
| OL                          | 33.9°               | 31.6° Left          | 1. Position bottom of molding against fence.<br>2. RIGHT side is finished piece. |
| Outside Corner - Right Side |                     |                     |  |
| OR                          | 33.9°               | 31.6° Right         | 1. Position top of molding against fence.<br>2. RIGHT side is finished piece.    |

## CROWN MOLDING CHART

### Compound Miter Saw

### Miter and Bevel Angle Settings

### Wall to Crown Molding Angle

| Angle Between Walls | 52/38° Crown Molding |               | 45/45° Crown Molding |               |
|---------------------|----------------------|---------------|----------------------|---------------|
|                     | Miter Setting        | Bevel Setting | Miter Setting        | Bevel Setting |
| 67                  | 42.93                | 41.08         | 46.89                | 36.13         |
| 68                  | 42.39                | 40.79         | 46.35                | 35.89         |
| 69                  | 41.85                | 40.50         | 45.81                | 35.64         |
| 70                  | 41.32                | 40.20         | 45.28                | 35.40         |
| 71                  | 40.79                | 39.90         | 44.75                | 35.15         |
| 72                  | 40.28                | 39.61         | 44.22                | 34.89         |
| 73                  | 39.76                | 39.30         | 43.70                | 34.64         |
| 74                  | 39.25                | 39.00         | 43.18                | 35.38         |
| 75                  | 38.74                | 38.69         | 42.66                | 34.12         |
| 76                  | 38.24                | 38.39         | 42.15                | 33.86         |
| 77                  | 37.74                | 38.08         | 41.64                | 33.60         |
| 78                  | 37.24                | 37.76         | 41.13                | 33.33         |
| 79                  | 36.75                | 37.45         | 40.62                | 33.07         |
| 80                  | 36.27                | 37.13         | 40.12                | 32.80         |
| 81                  | 35.79                | 36.81         | 39.62                | 32.53         |
| 82                  | 35.31                | 36.49         | 39.13                | 32.25         |
| 83                  | 34.83                | 36.17         | 38.63                | 31.98         |
| 84                  | 34.36                | 35.85         | 38.14                | 31.70         |
| 85                  | 33.90                | 35.52         | 37.66                | 31.42         |
| 86                  | 33.43                | 35.19         | 37.17                | 31.14         |
| 87                  | 32.97                | 34.86         | 36.69                | 30.86         |
| 88                  | 32.52                | 34.53         | 36.21                | 30.57         |
| 89                  | 32.07                | 34.20         | 35.74                | 30.29         |
| 90                  | 31.62                | 33.86         | 35.26                | 30.00         |
| 91                  | 31.17                | 33.53         | 34.79                | 29.71         |
| 92                  | 30.73                | 33.19         | 34.33                | 29.42         |
| 93                  | 30.30                | 32.86         | 33.86                | 29.13         |
| 94                  | 29.86                | 32.51         | 33.40                | 28.83         |
| 95                  | 29.43                | 32.17         | 32.94                | 28.54         |
| 96                  | 29.00                | 31.82         | 32.48                | 28.24         |
| 97                  | 28.58                | 31.48         | 32.02                | 27.94         |
| 98                  | 28.16                | 31.13         | 31.58                | 27.64         |
| 99                  | 27.74                | 30.78         | 31.13                | 27.34         |
| 100                 | 27.32                | 30.43         | 30.68                | 27.03         |
| 101                 | 26.91                | 30.08         | 30.24                | 26.73         |
| 102                 | 26.50                | 29.73         | 29.80                | 26.42         |
| 103                 | 26.09                | 29.38         | 29.36                | 26.12         |
| 104                 | 25.69                | 29.02         | 28.92                | 25.81         |
| 105                 | 25.29                | 28.67         | 28.48                | 25.50         |
| 106                 | 24.89                | 28.31         | 28.05                | 25.19         |
| 107                 | 24.49                | 27.96         | 27.62                | 24.87         |
| 108                 | 24.10                | 27.59         | 27.19                | 24.56         |
| 109                 | 23.71                | 27.23         | 26.77                | 24.24         |
| 110                 | 23.32                | 26.87         | 26.34                | 23.93         |
| 111                 | 22.93                | 26.51         | 25.92                | 23.61         |
| 112                 | 22.55                | 26.15         | 25.50                | 23.29         |
| 113                 | 22.17                | 25.78         | 25.08                | 22.97         |
| 114                 | 21.79                | 25.42         | 24.66                | 22.66         |
| 115                 | 21.42                | 25.05         | 24.25                | 22.33         |
| 116                 | 21.04                | 24.68         | 23.84                | 22.01         |
| 117                 | 20.67                | 24.31         | 23.43                | 21.68         |
| 118                 | 20.30                | 23.94         | 23.02                | 21.36         |
| 119                 | 19.93                | 23.57         | 22.61                | 21.03         |
| 120                 | 19.57                | 23.20         | 22.21                | 20.70         |
| 121                 | 19.20                | 22.83         | 21.80                | 20.38         |
| 122                 | 18.84                | 22.46         | 21.40                | 20.05         |

| Angle Between Walls | 52/38° Crown Molding |               | 45/45° Crown Molding |               |
|---------------------|----------------------|---------------|----------------------|---------------|
|                     | Miter Setting        | Bevel Setting | Miter Setting        | Bevel Setting |
| 123                 | 18.48                | 22.09         | 21.00                | 19.72         |
| 124                 | 18.13                | 21.71         | 20.61                | 19.39         |
| 125                 | 17.77                | 21.34         | 20.21                | 19.06         |
| 126                 | 17.42                | 20.96         | 19.81                | 18.72         |
| 127                 | 17.06                | 20.59         | 19.42                | 18.39         |
| 128                 | 16.71                | 20.21         | 19.03                | 18.06         |
| 129                 | 16.37                | 19.83         | 18.64                | 17.72         |
| 130                 | 16.02                | 19.45         | 18.25                | 17.39         |
| 131                 | 15.67                | 19.07         | 17.86                | 17.05         |
| 132                 | 15.33                | 18.69         | 17.48                | 16.71         |
| 133                 | 14.99                | 18.31         | 17.09                | 16.38         |
| 134                 | 14.66                | 17.93         | 16.71                | 16.04         |
| 135                 | 14.30                | 17.55         | 16.32                | 15.70         |
| 136                 | 13.97                | 17.17         | 15.94                | 15.36         |
| 137                 | 13.63                | 16.79         | 15.56                | 15.02         |
| 138                 | 13.30                | 16.40         | 15.19                | 14.62         |
| 139                 | 12.96                | 16.02         | 14.81                | 14.34         |
| 140                 | 12.63                | 15.64         | 14.43                | 14.00         |
| 141                 | 12.30                | 15.25         | 14.06                | 13.65         |
| 142                 | 11.97                | 14.87         | 13.68                | 13.31         |
| 143                 | 11.64                | 14.48         | 13.31                | 12.97         |
| 144                 | 11.31                | 14.09         | 12.94                | 12.62         |
| 145                 | 10.99                | 13.71         | 12.57                | 12.29         |
| 146                 | 10.66                | 13.32         | 12.20                | 11.93         |
| 147                 | 10.34                | 12.93         | 11.83                | 11.59         |
| 148                 | 10.01                | 12.54         | 11.46                | 11.24         |
| 149                 | 9.69                 | 12.16         | 11.09                | 10.89         |
| 150                 | 9.37                 | 11.77         | 10.73                | 10.55         |
| 151                 | 9.05                 | 11.38         | 10.36                | 10.20         |
| 152                 | 8.73                 | 10.99         | 10.00                | 9.85          |
| 153                 | 8.41                 | 10.60         | 9.63                 | 9.50          |
| 154                 | 8.09                 | 10.21         | 9.27                 | 9.15          |
| 155                 | 7.77                 | 9.82          | 8.91                 | 8.80          |
| 156                 | 7.46                 | 9.43          | 8.55                 | 8.45          |
| 157                 | 7.14                 | 9.04          | 8.19                 | 8.10          |
| 158                 | 6.82                 | 8.65          | 7.83                 | 7.75          |
| 159                 | 6.51                 | 8.26          | 7.47                 | 7.40          |
| 160                 | 6.20                 | 7.86          | 7.11                 | 7.05          |
| 161                 | 5.88                 | 7.47          | 6.75                 | 6.70          |
| 162                 | 5.57                 | 7.08          | 6.39                 | 6.35          |
| 163                 | 5.26                 | 6.69          | 6.03                 | 6.00          |
| 164                 | 4.95                 | 6.30          | 5.68                 | 5.65          |
| 165                 | 4.63                 | 5.90          | 5.32                 | 5.30          |
| 166                 | 4.32                 | 5.51          | 4.96                 | 4.94          |
| 167                 | 4.01                 | 5.12          | 4.61                 | 4.59          |
| 168                 | 3.70                 | 4.72          | 4.25                 | 4.24          |
| 169                 | 3.39                 | 4.33          | 3.90                 | 3.89          |
| 170                 | 3.08                 | 3.94          | 3.54                 | 3.53          |
| 171                 | 2.77                 | 3.54          | 3.19                 | 3.10          |
| 172                 | 2.47                 | 3.15          | 2.83                 | 2.83          |
| 173                 | 2.15                 | 2.75          | 2.48                 | 2.47          |
| 174                 | 1.85                 | 2.36          | 2.12                 | 2.12          |
| 175                 | 1.54                 | 1.97          | 1.77                 | 1.77          |
| 176                 | 1.23                 | 1.58          | 1.41                 | 1.41          |
| 177                 | 0.92                 | 1.18          | 1.06                 | 1.06          |
| 178                 | 0.62                 | 0.79          | 0.71                 | 0.71          |
| 179                 | 0.31                 | 0.39          | 0.35                 | 0.35          |

## CARE AND MAINTENANCE

### **⚠ WARNING**

- To avoid fire or toxic reaction, never use gasoline, naphtha, acetone, lacquer thinner or similar highly volatile solvents to clean the miter saw.
- To avoid injury from unexpected starting or electrical shock, unplug the power cord before working on the saw.
- For your safety, this saw is double insulated. To avoid electrical shock, fire or injury, use only parts identical to those identified in the parts list. Reassemble exactly to avoid electrical shock.

### **REPLACING CARBON BRUSHES (FIG. 34)**

Replace both carbon brushes (G) when either has less than 1/4 in. length of carbon remaining, or if the spring or wire is damaged or burned. To inspect or replace brushes, first unplug the saw. Remove the black plastic cap (1) on the side of the motor (H). Use caution when removing the cap because it is spring-loaded. Pull out the brush and replace. Repeat for the other side. To reassemble, reverse the procedure. Press the metal part of the carbon brush in the hole where the carbon part fits. Tighten the cap snugly but do not overtighten.

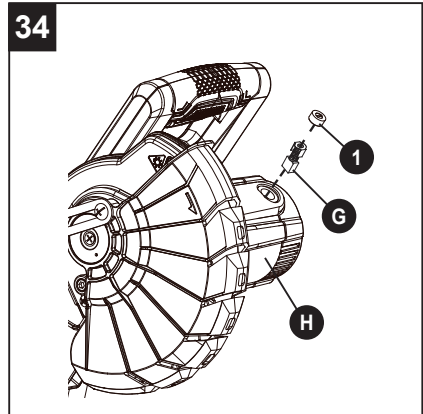
**NOTE:** To reinstall the same brushes, first make sure the brushes go back in the way they came out. This will avoid a break-in period that reduces motor performance and increases wear.

### **LOWER BLADE GUARD**

Do not use the saw without the lower blade guard. The lower blade guard is attached to the saw for your protection. Should the lower guard become damaged, do not use the saw until the damaged guard has been replaced. Check regularly to make sure the lower guard is working properly. Clean the lower guard of any dust or buildup with a damp cloth.

### **⚠ CAUTION**

- Do not use solvents on the guard. They could make the plastic cloudy and brittle.
- When cleaning the lower guard, unplug the saw to avoid unexpected start-up.



## SAWDUST

Periodically, sawdust will accumulate under the worktable and base. This could cause difficulty in the movement of the worktable when setting up a miter cut. Frequently blow out or vacuum up the sawdust.

## CAUTION

If blowing sawdust, wear proper eye protection to keep debris from blowing into eyes.

## FREE WARNING LABEL REPLACEMENT:

If your warning labels become illegible or are missing, call 888-356-2258 for a free replacement.

## WARNING

**DO NOT replace the power cord.** If you have any problem or questions concerning the power cord, call the Customer Service Department at 888-356-2258.

### 7-1/4-IN COMPACT SLIDING SINGLE-BEVEL MITER SAW #5265149 SIERRA INGLETADORA DESLIZABLE DE BISEL SIMPLE DE 18,41 CM

#### BLADE/HOJA

10A, 5,000min<sup>-1</sup> (RPM) [NO LOAD] 120V a.c. 60Hz  
10 AMPERIOS, 5000 RPM (SIN CARGA) 120 V AC.- 60 HZ



DOUBLE INSULATED- WHEN SERVICING,  
USE ONLY IDENTICAL REPLACEMENT PARTS  
AISLAMIENTO DOBLE: AL REPARAR, UTILICE  
SOLO PIEZAS DE REPUESTO IDENTICAS

SERIAL NO.:  
SERIE NO.:

MFG. DATE:  
FECHA DE FABRICACIÓN:



LISTED  
3712  
E82443

888-356-2258 (888-3KOBALT)  
DISTRIBUTED BY/DISTRIBUIDO POR:  
LOWE'S HOME CENTERS LLC  
1000 LOWE'S BLVD.  
MOORESVILLE, NC 28117

REXON INDUSTRIAL CORP., LTD.  
261, JEN HWA ROAD, TALI, TAICHUNG, TAIWAN  
RTX

MADE IN CHINA/HECHO EN CHINA

## WARNING

TO REDUCE THE RISK OF INJURY, USER MUST READ INSTRUCTION MANUAL

1. Wear eye protection.
2. Keep hands and body out of the path of the saw blade. Contact with blade will result in serious injury.
3. Check guarding system to make sure it is functioning correctly.
4. Do not perform any operation freehand.
5. Never reach around saw blade.
6. Turn off tool and wait for saw blade to stop before moving workpiece or changing settings.
7. Wear respiratory and hearing protection.
8. Disconnect power before changing blade or servicing.
9. Use only blades that are 7-1/4 in. diameter and have a maximum RPM speed greater than 5,000min<sup>-1</sup> (RPM) (no load on this saw is 5,000min<sup>-1</sup> (RPM)).
10. Do not expose to rain or use in damp locations.
11. Tighten arbor screw and clamps before sawing.
12. Secure tool properly to prevent unexpected movement.
13. Failure to comply with these warnings may result in serious personal injury.

## ADVERTENCIA

PARA REDUCIR EL RIESGO DE LESIONES, EL USUARIO DEBE LEER EL MANUAL DE INSTRUCCIONES

1. Utilice protección para los ojos. 2. Mantenga las manos y el cuerpo alejados del camino que recorre la hoja de la sierra. El contacto con la hoja podría provocar lesiones graves. 3. Verifique el sistema de protección para asegurarse de que funciona correctamente. 4. No realice ninguna operación sin utilizar las manos. 5. Nunca intente tocar el área alrededor de la hoja de la sierra. 6. Apague la herramienta y espere que la hoja de la sierra se detenga antes de mover las piezas de trabajo o de cambiar la configuración. 7. Utilice protección para los oídos y las vías respiratorias. 8. Desconecte la fuente de alimentación antes de la limpieza o el mantenimiento. 9. Utilice hojas de sólo de 18,41 cm de diámetro y que tengan una velocidad máxima mayor a 5000 RPM (ninguna carga en esta sierra es de 5000 RPM). 10. No exponga esta herramienta a la lluvia ni la utilice en áreas húmedas. 11. Apriete el tornillo del husillo y las abrazaderas antes de usar la sierra. 12. Asegure la herramienta adecuadamente para evitar un movimiento inesperado. 13. El no cumplir con estas advertencias podría ocasionar lesiones personales graves.

## TROUBLESHOOTING

### WARNING

To avoid injury from accidental starting, always ensure switch is in the OFF position and unplug the tool before moving, replacing the blade or making adjustments.

### TROUBLESHOOTING – MOTOR

| PROBLEM  | POSSIBLE CAUSE   | CORRECTIVE ACTION   |
|--|--|---|
| Blade does not stop within 10 seconds.             | <ol style="list-style-type: none"> <li>1. Motor brushes not sealed or lightly sticking.</li> <li>2. Arbor bolt loosened.</li> <li>3. Other.</li> </ol> | <ol style="list-style-type: none"> <li>1. Inspect, clean and/or replace brushes. See CARE AND MAINTENANCE section.</li> <li>2. Retighten the arbor bolt.</li> <li>3. Contact customer service.</li> </ol> |
| Motor does not start.                              | <ol style="list-style-type: none"> <li>1. Blown fuse.</li> <li>2. Worn brush.</li> <li>3. Other.</li> </ol>  | <ol style="list-style-type: none"> <li>1. Use and check the 15A time-delay fuse or the circuit breaker.</li> <li>2. See CARE AND MAINTENANCE section.</li> <li>3. Contact customer service.</li> </ol>    |
| Excessive brush spark when the switch is released. | <ol style="list-style-type: none"> <li>1. Brush worn.</li> </ol>   | <ol style="list-style-type: none"> <li>1. Replace brushes.</li> </ol>   |

### TROUBLESHOOTING – SAW OPERATION

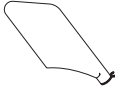
| PROBLEM   | POSSIBLE CAUSE  | CORRECTIVE ACTION  |
|---|---|--|
| Blade hits table.   | <ol style="list-style-type: none"> <li>1. Misalignment.</li> </ol>  | <ol style="list-style-type: none"> <li>1. See ADJUSTMENT section.</li> </ol>   |
| Angle of cut not accurate. Cannot adjust miter.                       | <ol style="list-style-type: none"> <li>1. Miter table locked.</li> <li>2. Sawdust under table.</li> </ol>   | <ol style="list-style-type: none"> <li>1. Push positive stop locking lever down and rotate table. See OPERATING INSTRUCTIONS section.</li> <li>2. Vacuum or blow out dust. WEAR EYE PROTECTION.</li> </ol> |
| Cutting arm wobbles.  | <ol style="list-style-type: none"> <li>1. Loose pivot points.</li> </ol>  | <ol style="list-style-type: none"> <li>1. See ADJUSTMENT INSTRUCTIONS section.</li> </ol>  |
| Cutting arm will not fully raise or blade guard will not fully close. | <ol style="list-style-type: none"> <li>1. Part failure.</li> <li>2. Pivot spring not replaced properly after service.</li> <li>3. Sawdust build-up.</li> </ol>      | <ol style="list-style-type: none"> <li>1. Contact customer service.</li> <li>2. Contact customer service.</li> <li>3. See CARE AND MAINTENANCE section.</li> </ol>   |
| Blade binds, jams, burns wood.  | <ol style="list-style-type: none"> <li>1. Improper operation.</li> <li>2. Dull blade.</li> <li>3. Improper blade size.</li> <li>4. Warped blade.</li> </ol>         | <ol style="list-style-type: none"> <li>1. See BASIC SAW OPERATIONS section.</li> <li>2. Replace or sharpen blade.</li> <li>3. Replace with 7-1/4 in. diameter blade.</li> <li>4. Replace blade.</li> </ol> |
| Saw vibrates or shakes.   | <ol style="list-style-type: none"> <li>1. Saw blade not round.</li> <li>2. Saw blade damaged.</li> <li>3. Saw blade loose.</li> <li>4. Saw blade warped.</li> </ol> | <ol style="list-style-type: none"> <li>1. Replace blade.</li> <li>2. Replace blade.</li> <li>3. Tighten arbor bolt.</li> <li>4. Replace blade.</li> </ol>  |

## REPLACEMENT PARTS LIST

For replacement parts, call our customer service department at 888-3KOBALT (888-356-2258), 8 a.m. - 8 p.m., EST, Monday - Sunday. You could also contact us at [partsplus@lowes.com](mailto:partsplus@lowes.com).



**B**



**C**



**D**



**E**



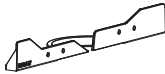
**G**



**K**



**P**



**X**



**BB**



**FF**



**GG**

| PART | DESCRIPTION                 | PART # |
|------|-----------------------------|--------|
| B    | Hold-down clamp             | 3V94   |
| C    | Dust bag                    | 3YS8   |
| D    | Blade wrench                | 3VJN   |
| E    | Miter handle                | 3YUE   |
| G    | Carbon brushes (set of 2)   | 0QBG   |
| K    | Table insert                | 3PMK   |
| P    | Bevel lock handle           | 4742   |
| X    | Fence                       | 3TBC   |
| BB   | Positive stop locking lever | 3TBQ   |
| FF   | Manual                      | 5088   |
| GG   | Blade guard assembly        | 47N7   |

DISTRIBUTED BY:  
**Lowe's Home Centers LLC**  
 1000 Lowe's Blvd., Mooresville, NC 28117

## **WARRANTY**

---

The manufacturer will offer replacement parts for this product which under normal usage have proven to be defective in their manufacture or workmanship for a period of THREE (3) years from the date of initial retail purchase. This warranty is valid only to the original purchaser. This warranty is not transferable and does not cover any parts that have been subjected to misuse, abuse, alteration, overload, accident or normal wear of moving parts. Tools that have been sold "as is," sold reconditioned or used as rental equipment are not covered.

Warranty replacement parts can be obtained by contacting the manufacturer at 888-3KOBALT. Only the manufacturer is authorized to perform warranty service on this product. This warranty does not apply to accessories or damage caused where repairs have been made or attempted by others.

The manufacturer is not responsible for direct, indirect, incidental or consequential damages. Some states do not allow limitations on how long an implied warranty lasts and/or do not allow the exclusion or limitation of incidental damages, so the above limitations may not apply to you. This warranty gives you specific legal rights, and you may also have other rights, which vary from state to state.

The manufacturer makes no warranties, representations or promises as to the quality of its power tools other than those specially stated in this warranty.

### **WARRANTY VOID IF PRODUCT USED FOR COMMERCIAL PURPOSES.**

For replacement parts, call our customer service department at 888-3KOBALT (888-356-2258).

**Manufacturer**  
**REXON INDUSTRIAL CORP., LTD.**  
261, Jen Hwa Road, Tali,  
Taichung, Taiwan  
Printed in China