

SAVE THIS MANUAL FOR
FUTURE REFERENCE

SEARS

**owner's
manual**

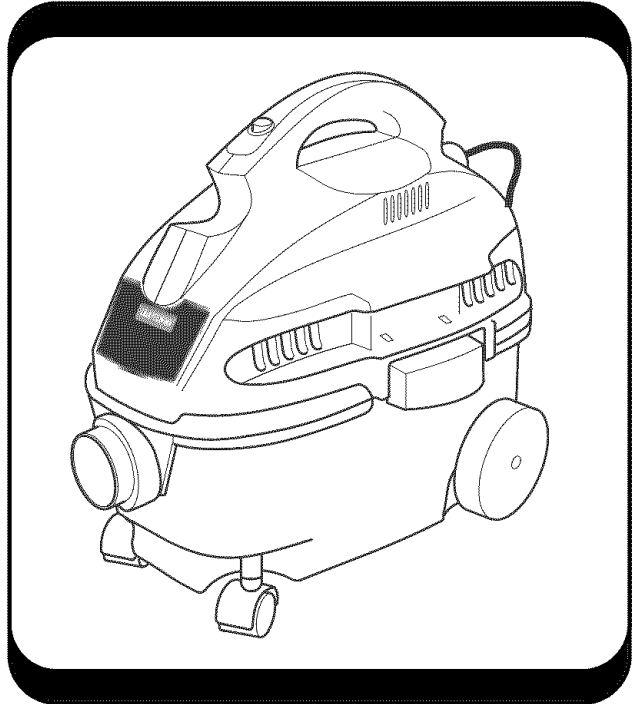
MODEL NO.
113.177765

Serial
Number _____

Model and serial
numbers may be
found on the handle.
You should record
both model and serial
numbers in a safe
place for future use.

**FOR YOUR
SAFETY**

**READ ALL
INSTRUCTIONS
CAREFULLY**



CRAFTSMAN®

**4 GALLON
PORTABLE
WET/DRY VAC**

- assembly
- operating
- repair parts

Sears, Roebuck and Co., Hoffman Estates, IL 60179 U.S.A.

Part No. SP6574

Printed in China

FULL ONE YEAR WARRANTY ON CRAFTSMAN WET/DRY VACS

If this Craftsman Wet/Dry Vac fails due to a defect in material or workmanship within one year from the date of purchase, return it to your nearest Sears Store, and it will be replaced or repaired, at Sears option, free of charge.

If this Craftsman Wet/Dry Vac is used for commercial or rental purposes, this warranty coverage applies for only 90 days from date of purchase.

Warranty Service Is Available By Simply Contacting The Nearest Sears Service Center/Department Throughout The United States.

This warranty applies only while this product is used in the United States.

This warranty gives you specific legal rights, and you may also have other rights which vary from state to state.

Sears, Roebuck and Co., D817 WA, Hoffman Estates, IL. 60179

IMPORTANT SAFETY INSTRUCTIONS

Safety is a combination of common sense, staying alert and knowing how your vac works. Read this manual to understand the vac.

Safety Signal Words

DANGER: means if the safety information is not followed someone **will** be seriously injured or killed.

WARNING: means if the safety information is not followed someone **could** be seriously injured or killed.

CAUTION: means if the safety information is not followed someone **might** be injured.

When using your Portable Wet/Dry Vac, follow basic safety precautions including the following.

WARNING - To reduce the risk of fire, electric shock, or injury:

Read and understand this owner's manual and all labels on the Wet/Dry Vac before operating. Use only as described in this manual. To reduce the risk of personal injury or damage to Wet/Dry Vac, use only Sears Craftsman recommended accessories.

Sparks inside the motor can ignite flammable vapors or dust. To reduce the risk of fire or explosion:

- Do not vacuum, or use this Wet/Dry Vac, near flammable or combustible liquids, gases, or explosive dusts, such as gasoline or other fuels, lighter fluid,

cleaners, oil-based paints, natural gas, hydrogen, coal dust, magnesium dust, grain dust, or gun powder.

- Do not vacuum anything that is burning or smoking, such as cigarettes, matches, or hot ashes.
- Do not vacuum fireplace soot or ash. This is a very fine dust which will not be captured by the filter and may cause damage.
- To reduce the risk of health hazards from vapors or dusts, do not vacuum toxic materials.
- Do not use or store near hazardous materials.
- To reduce the risk of electric shock, do not expose to rain. Store indoors.
- Do not allow Wet/Dry Vac to be used as a toy. Close attention is necessary when used by or near children.
- Do not use this Wet/Dry Vac with a torn filter or without the filter installed except when vacuuming liquids as described in the operation section of this manual.
- Do not leave Wet/Dry Vac when plugged in. Unplug from outlet when not in use and before servicing. Turn off Wet/Dry Vac before unplugging.
- Do not run Wet/Dry Vac unattended.
- To reduce the risk of injury from accidental starting, unplug power cord before changing or cleaning filter.

- Do not unplug by pulling on cord. To unplug, grasp the plug, not the cord.
- Do not use with damaged cord, plug or other parts. If your Wet/Dry Vac is not working as it should, has missing parts, has been dropped, damaged, left outdoors, or dropped into water, return it to a Sears Service Center.
- Do not pull or carry by cord, use cord as handle, close a door on cord, or pull cord around sharp edges or corners. Do not run Wet/Dry Vac over cord. Keep cord away from heated surfaces.
- Do not handle plug or the Wet/Dry Vac with wet hands.
- Do not put any object into ventilation openings. Do not vacuum with any ventilation openings blocked; keep free of dust, lint, hair or anything that may reduce air flow.
- Keep hair, loose clothing, fingers, and all parts of body away from openings and moving parts.
- To reduce the risk of falls, use extra care when cleaning on stairs.

Use this Wet/Dry Vac as described in this manual.

Observe the following warnings that appear on the motor housing of your Wet/ Dry Vac.

WARNING: To reduce the risk of electric shock - do not expose to rain - store indoors.

WARNING: For your own safety, read and understand owner's manual. Do not run unattended. Do not pick up hot ashes, coals, toxic, flammable or other hazardous materials. Do not use around explosive liquids or vapors.

CAUTION:

- Do not vacuum drywall dust or cold fireplace soot or ash with standard wet/dry filter. This is a very fine dust which will not be captured by the filter and may cause damage. Refer to Operation Section for proper filter selection.

SAVE THESE INSTRUCTIONS

The operation of any utility vac or blower can result in foreign objects being blown into the eyes, which can result in severe eye damage. Always wear safety goggles complying with ANSI Z87.1 (or in Canada CSA Z94.3) before commencing operation. Everyday eyeglasses have only impact resistant lenses. They are not safety glasses. Safety Goggles are available at Sears retail stores. Glasses or goggles not in compliance with ANSI or CSA could seriously hurt you when they break.

To reduce the risk of hearing damage, wear ear protectors when using the vac for extended hours or when using it in a noisy area.

For dusty operations, wear dust mask.

Use only extension cords that are rated for outdoor use. Extension cords in poor condition or that are too small in wire size can pose fire and shock hazards. When using an extension cord, be sure it is in good condition. Using any extension cord will cause some loss of power. To keep the loss to a minimum, use the following table to choose the minimum wire size extension cord.



Extension Cord Length	Gauge A.W.G.
0-50 Ft.	14
50-100 Ft.	12

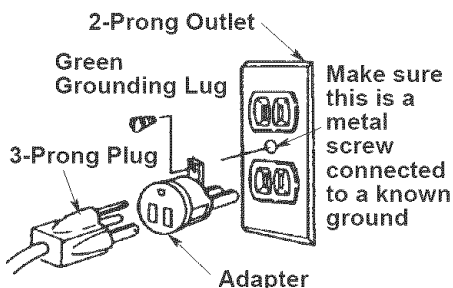
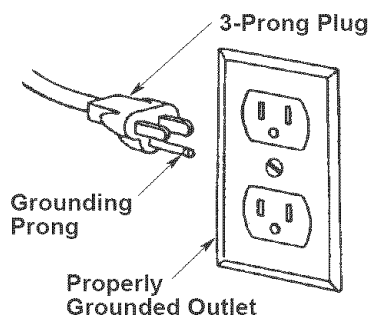
Grounding Instructions

This appliance must be grounded. If it should malfunction or breakdown, grounding provides a path of least resistance for electric current to reduce the risk of electric shock. This appliance is equipped with a cord having an equipment-grounding conductor and grounding plug. The plug must be inserted into an appropriate outlet that is properly installed and grounded in accordance with all local codes and ordinances.

WARNING: Improper connection of the equipment grounding conductor can result in a risk of electric shock. Check with a qualified electrician or service person if you are in doubt as to whether the outlet is properly grounded. Do not modify the plug provided with the appliance - if it will not fit the outlet, have a proper outlet installed by a qualified electrician.

This appliance is for use on a nominal 120 volt circuit, and has a grounded plug that looks like the plug shown. A temporary adaptor that looks like the adaptor shown may be used to connect this plug to a 2-pole receptacle, as shown. If a properly grounded outlet is not available, the temporary adaptor should be used only until a properly grounded outlet can be installed by a qualified electrician. The green colored rigid ear, lug or the like extending from the adaptor must be connected to a permanent ground such as a properly grounded outlet box cover. Whenever the adaptor is used, it must be held in place by a metal screw.

NOTE: In Canada, the use of a temporary adaptor is not permitted by the Canadian Electrical Code.



Introduction

This vac is intended for household use only. It may be used for light vacuuming of wet or dry media. The light weight design allows usage for most small household vacuuming chores. Familiarize yourself with the following product features and read the entire owner's manual for specific usage of your new wet/dry vac.

IMPORTANT NOTE Please Read Carefully

Static Shocks Are Common - In dry areas or when the relative humidity of the air is low. To reduce the frequency of static shocks in your home, the best remedy is to add moisture to the air with a console humidifier.

Unpacking and Checking Carton Contents

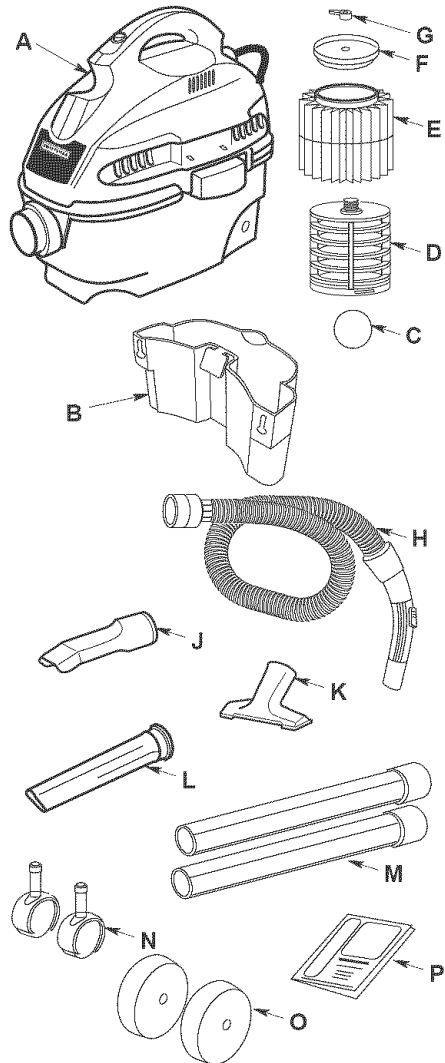
Remove entire contents of carton. Check each item against the Carton Contents List. Notify your Sears Store immediately if any parts are damaged or missing.

Carton Contents Lists

Key	Description	Qty.
A	Wet/Dry Vac	1
B	Accessory Tote	1
C*	Float	1
D*	Filter Cage	1
E*	Filter (Purple Stripe)	1
F*	Filter Plate	1
G*	Filter Nut	1
H	Hose	1
J	Car Nozzle	1
K	Utility Nozzle	1
L	Clevice Tool	1
M	Extension Wands	2
N*	Casters	2
O*	Wheels	2
P	Owners Manual	1

*Parts may already be assembled.

Sears retail replacement filters are sold by stock no. 9-16949.



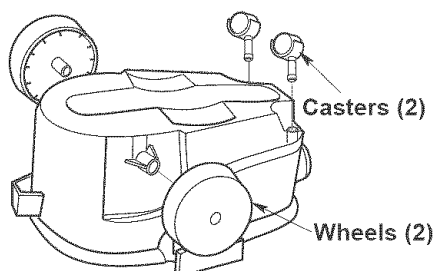
Wheel/Caster Assembly

WARNING: For your own safety, never connect plug to power source outlet until all assembly steps are complete and you have read and understood the safety and operation instructions. Do not operate vac with any parts damaged or missing.

Locate the two large wheels and the two dual wheel casters in the carton. The casters are designed to fit in the front of your 4-gallon drum and the larger wheels fit the rear of the drum.

1. Place the drum upside down on a flat surface as illustrated.
2. Insert the dual wheel casters into the bottom of the drum as shown (two places).

3. Push the caster until the flange on the caster stem is inserted all the way into the socket. You will be able to hear the flange snap into the socket. The caster will swivel easily when positioning is correct.
4. Position the dove tail portion of one of the large wheels into the drum as illustrated. Tap the wheel support into the drum with a soft mallet. Repeat for the second large wheel.



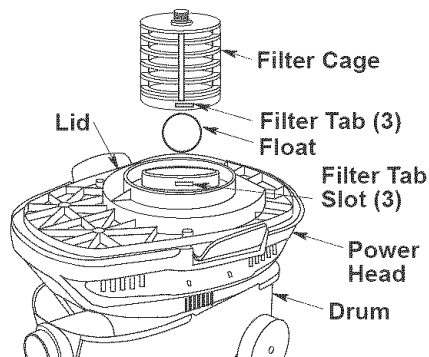
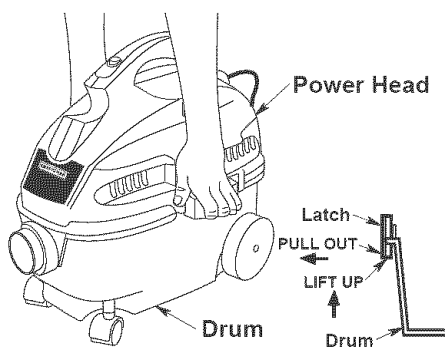
Float/Cage Assembly

NOTE: If filter cage needs to be removed, use a flat blade screwdriver and insert the blade near one of the tabs between the filter cage and the center ring of the lid. Pry the tab out of the slot. Tilt the cage and lift away from the lid. To replace, follow the assembly instructions below:

1. Grasp latches on both the right and left side of the power head. Slowly pull latches away from drum and lift the power head off the drum. Flip the power head and place it in the drum.
2. Locate the float. Place the float over the opening in the center of the lid.

WARNING: To avoid personal injury or damage to vac be sure to keep hands, fingers, or any other foreign objects out of the center opening when assembling the float .

3. Line up filter cage tabs with the slots in the center ring of the lid.
4. Push on the filter cage until the tabs snap into the slots for a secure fit. (One tab at a time).



Filter Assembly

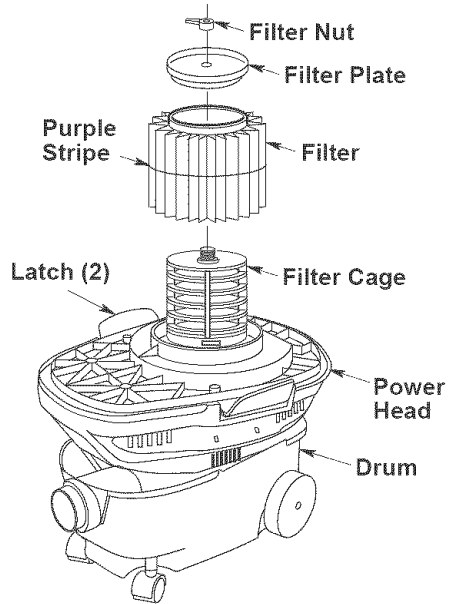
1. Carefully slide the filter over the filter cage, sliding it over the center ring covering the 3 slots until the filter stops against the lid.
2. Place the hole in the filter plate over the threaded screw of the filter cage.
3. Gently push on the filter plate to seat the rubber ring of the filter inside the circular channel of the filter plate.
4. Place the filter nut onto the threaded screw and tighten it down. Finger tighten only.

NOTE: Lever of filter nut should be away from plate as shown.

IMPORTANT: Do not over tighten as this may deform or crack the filter cage or filter plate.

5. To assemble the power head to the drum, position power head over drum, with latches lined up with recess in drum. (The power head will only fit on the drum one way).
6. Rotate both latches down and press until you hear them snap over the flanges on the drum.
7. Your Portable Wet/Dry Vac is now ready to use. Read the instructions on the following pages to operate your Portable Vac safely.

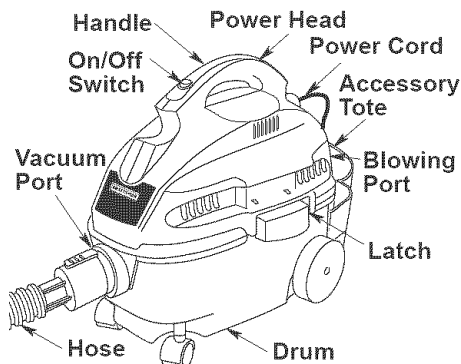
NOTE: Your filter has a purple stripe that matches an in-store displayer. When you visit your local Sears store, just remember the color of your stripe for the correct size filter.



Getting to Know Your Portable Wet/Dry Vac

Familiarize yourself with the controls and features of your Portable Wet/Dry Vac before operating.

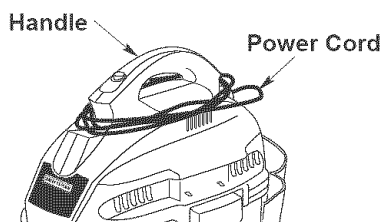
- Flip switch to the rear to turn "ON".
- Flip switch forward to turn "OFF".



Cord Storage

1. Your Portable Wet/Dry Vac has a convenient area to store your power cord while not in use.
2. Coil the power cord around handle of the Portable Wet/Dry Vac.

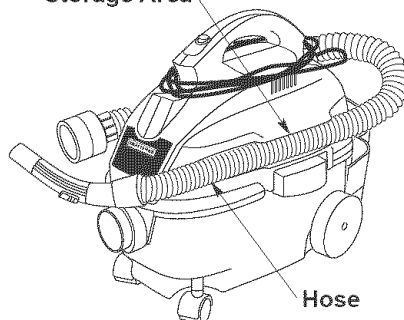
CAUTION: A partially unwrapped cord may fall in coils near your feet. To avoid this tripping hazard, always fully unwrap the cord before plugging it in.



Hose Storage

A convenient location for the hose storage is to snap the hose into the side recessed hose storage areas.

Recessed Hose Storage Area

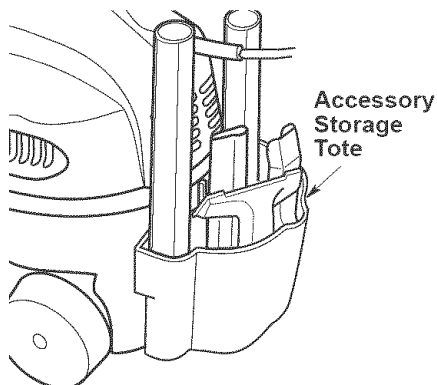


Accessory Storage

Your Portable Wet/Dry Vac accessories can be stored in the accessory tote. The accessory tote can be stored on the back of the vac drum or temporary on the wall.

To store the accessory tote on the wall, use two (2) number #10 x 1-1/2" wood screws (not supplied). Make sure the screws are spaced 16" apart to correspond with the standard wall stud spacing.

When mounting the accessory tote make sure to leave 26" inches of clearance above screws so that the extension wands can also be stored.



Operation

WARNING

To reduce the risk of fire or explosion, do not operate this vac in areas with flammable gases, vapors or explosive dust in the air. Flammable gases or vapors include but are not limited to: lighter fluid, solvent type cleaners, oil-base paints, gasoline, alcohol or aerosol sprays. Explosive dusts include but are not limited to: coal, magnesium, grain or gun powder. Do not vacuum explosive dust, flammable or combustible liquids or hot ashes. Do not use this vac as a sprayer for any flammable or combustible liquid. To reduce the risk of health hazards from vapors or dusts, do not vacuum toxic materials.

CAUTION: To reduce the risk of hearing damage, wear ear protectors when using the vac for extended hours or when using it in a noisy area.

The operation of any utility vac can result in foreign objects being blown into the eyes, which can result in severe eye damage. Always wear safety goggles complying with ANSI Z87.1 (or in Canada CSA Z94.3) before commencing operation. Safety goggles are available at Sears retail stores.

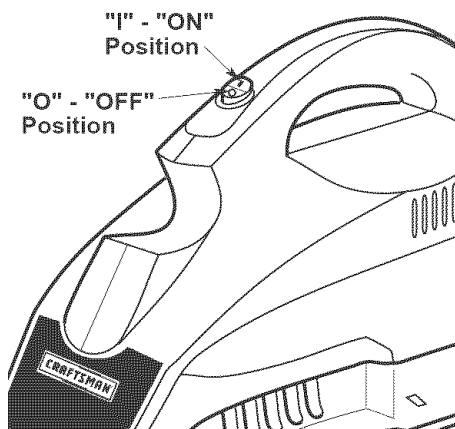
Your Craftsman four-gallon Portable Wet/Dry Vac is assembled at the factory and ready for use when you remove it from the carton. The unit is ready for dry vacuuming or blowing. After you plug the power cord into the wall receptacle, turn the unit "ON" by pushing the switch from position "O" to position "I". The symbols used on the switch are international symbols. The "O" is the "OFF" position and the "I" is the "ON" position.

○ = OFF | = ON

Vacuumping Dry Materials

1. The filter must always be in correct position to reduce the risk of leaks and possible damage to vac. It is **very important to assemble the filter to the cage without allowing any possible leaks or tears. Any leaks will allow the picked up media to be blown out of the blower port and back into the surrounding environment.**
2. When using your vac to pick up very fine dust, it will be necessary for you to empty the dust drum and clean or replace the filter at more frequent intervals to maintain peak vac performance.

NOTE: A dry filter is necessary to pick up dry material. If you use your vac to pick up dust when the filter is wet, the filter will clog quickly and be very difficult to clean. In case the filter gets wet, replace it before continuing to do dry pickups.



Operation (continued)

Vacuuming Liquids

1. Removal of the filter is highly recommended for wet pickups.
2. Misting may appear from the blowing port, this is normal.
3. This wet/dry vac is equipped with a float mechanism which will rise automatically to cut off the airflow when the liquid in the drum reaches a predetermined level. When this happens, turn off vac, unplug the power cord, and empty the dust drum. You will know that the float has shut the airflow off because the suction ceases and the motor noise becomes higher in pitch, due to increased motor speed. The liquid capacity may vary with the rate of pickup.

IMPORTANT: To reduce the risk of damage to the vac, do not run motor with float in raised position.

4. After using the vac to pick up liquids, the filter must be dried to avoid possible mildew and damage to the filter.

Emptying the Drum

WARNING: To reduce the risk of injury from accidental starting, unplug power cord before emptying the drum.

1. Remove the power head assembly of the Portable Wet/Dry Vac by pulling outward on the latches located on each side of the vac. Lift off the power head assembly.
2. Dump the drum contents into the proper waste disposal container.

Moving the Vac

Should it become necessary to pick up the vac, the handle on the lid should be used. If the drum has debris or liquid in it, you should also keep one hand under the drum. This unit is also equipped with 4 wheels and can be rolled by maneuvering the handle or lid.

Maintenance

Filter

WARNING: To reduce the risk of injury from accidental starting, unplug power cord before changing or cleaning filter.

WARNING: Do not remove the filter cage. It is there to help prevent your fingers from getting into the blower wheel.

Your filter should be cleaned often to maintain peak vac performance.

Be sure to dry the filter before storing or picking up dry debris.

NOTE: This filter is made of high quality paper designed to stop very small particles of dust. The filter can be used for wet or dry pick up. Handle the filter

carefully when removing to clean or installing it. Creases in the filter pleats may occur from installation but creases will not affect the performance of the filter.

Removal

To remove the filter for cleaning or replacement, remove filter nut from the screw on the filter cage, remove filter plate and lift off filter.

IMPORTANT: To avoid damage to the blower wheel and motor, always reinstall the filter before using the vac for dry material pick-up.

IMPORTANT: After cleaning, check the filter for tears or small holes. Do not use a filter with holes or tears in it. Even a small hole can cause a lot of dust to come out of your vac. Replace it immediately.

Maintenance (cont.)

Cleaning a Dry Filter

NOTE: For best results of cleaning due to accumulated dust, clean the filter in an open area. Cleaning **SHOULD** be done outdoors and not in the living quarters.

1. Some removal of dry debris can be accomplished without removing the filter from the vac by slapping your hand on top of the lid while the vac is turned off.
2. After filter removal from vac, remove the dry debris by gently tapping the filter against the inside wall of your dust drum and the debris will loosen and fall.
3. For thorough cleaning of dry filter with fine dust (no debris) you may run water through the filter as described under "Cleaning a Wet Filter".

Cleaning a Wet Filter

After filter is removed, a wet filter should be cleaned by running water through it from a hose or spigot. Take care that water pressure from the hose is not strong enough to damage filter.

Installation

To ensure a proper seal, clean the lid area where the filter will seat. Slide the new filter over the filter cage. Refer to page 6 for proper "Filter Assembly".

To keep your Portable Wet/Dry Vac looking its best, clean the outside with a cloth dampened with warm water and mild soap.

Portable Wet/Dry Vac Maintenance

To keep your Portable Wet/Dry Vac looking its best, clean the outside with a cloth dampened with warm water and mild soap. To clean the drum:

1. Dump debris out.
2. Wash drum thoroughly with warm water and mild soap.
3. Wipe out with dry cloth.

<p>WARNING: To assure product SAFETY and RELIABILITY, repairs and adjustment should be performed by Sears Service Centers, always using Sears replacement parts.</p>

NOTE: If your casters are noisy, you may put a drop of oil on the roller shaft to make them quieter.

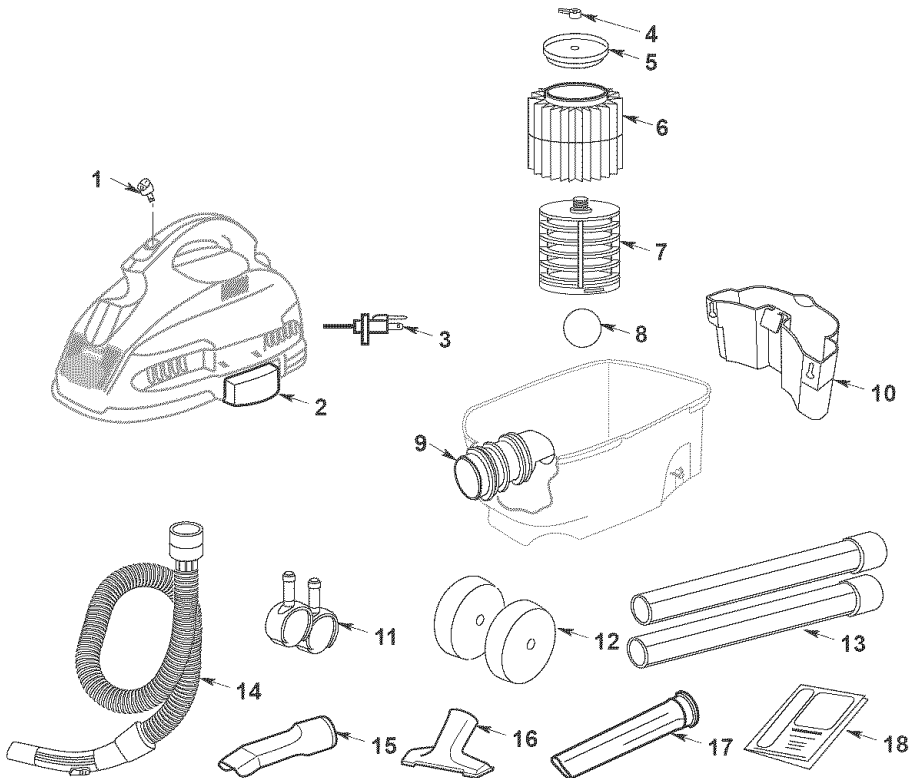
Repair Parts (cont.)

4 Gallon Portable Wet/Dry Vac Model Number 113.177765

Always order by Part Number - Not by Key Number

Key No.	Part No.	Description
1	830996	Actuator, Switch
2	831009	Latch (2)
3	830997	Cord w/Terminals
4	9-16938	Filter Nut
5	831010	Filter Plate
6	9-17810	Filter (Purple Stripe)
7	831007	Filter Cage
8	817254	Float
9	831001	Inlet Tube/Deflector

Key No.	Part No.	Description
10	830998	Accessory Storage Tote
11	831000	Casters (2)
12	830999	Wheels (2)
13	9-17861	Extension Wands
14	830995	Hose
15	9-16921	Utility Nozzle
16	9-17868	Car Nozzle
17	9-17863	Crevice Tool
18	SP6574	Owner's Manual



For in-home major brand repair service:

Call 24 hours a day, 7 days a week

1-800-4-MY-HOME (1-800-469-4663)

Para pedir servicio de reparación a domicilio - 1-800-676-5811

For the repair or replacement parts you need:

Call 6 am – 11 pm CST, 7 days a week

Parts Direct

1-800-366-PART (1-800-366-7278)

Para ordenar piezas con entrega a domicilio - 1-800-659-7084

For the location of a Sears Parts and Repair Center

in your area:

Call 24 hours a day, 7 days a week

1-800-488-1222

For information on purchasing a Sears Maintenance Agreement

or to inquire about an existing Agreement:

Call 9 am – 5 pm, Monday - Saturday

1-800-827-6655



The model and serial numbers will be found on the handle.

When requesting service or ordering parts, always provide the following information:

- **Product Type**
- **Model Number**
- **Part Number**
- **Part Description**

© 2004 Emerson

Sears, Roebuck and Co., Chicago, IL 60179 U.S.A.

Part No. SP6574

Form No. SP6574

Printed in China 07/04

GUARDE ESTE MANUAL
PARA REFERENCIA FUTURA

SEARS

**manual del
usuario**

NO. DE MODELO
113.177765

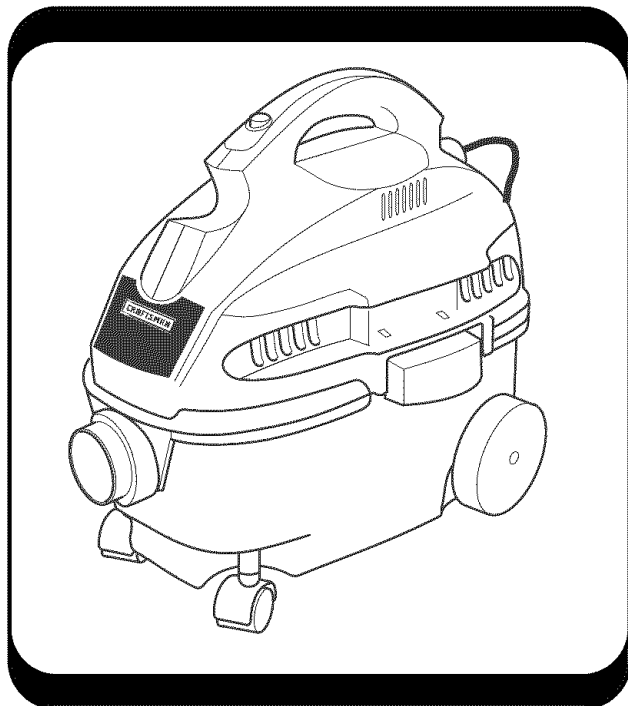
Número
de serie _____

Los números de modelo
y de serie se pueden
encontrar en el asa.

Usted debe anotar los
números tanto de modelo
como de serie en un lugar
seguro para uso futuro.

**PARA SU
SEGURIDAD**

**LEA DETENIDAMENTE
TODAS LAS
INSTRUCCIONES**



CRAFTSMAN®

ASPIRADORA PORTÁTIL PARA MOJADO/SECO DE 4 GALONES

- ensamblaje
- funcionamiento
- piezas de repuesto

Sears, Roebuck and Co., Hoffman Estates, IL 60179 U.S.A.

No. de pieza SP6574

Impreso en China

GARANTÍA COMPLETA DE UN AÑO PARA ASPIRADORAS PARA MOJADO/SECO CRAFTSMAN

Si esta aspiradora para mojado/seco Craftsman falla debido a un defecto de material o de fabricación dentro del plazo de un año a partir de la fecha de compra, devuélvala a la tienda Sears más cercana y será reemplazada o reparada, a opción de Sears, sin ningún cargo.

Si esta aspiradora para mojado/seco Craftsman se utiliza para fines comerciales o de alquiler, la cobertura de esta garantía se aplica durante solamente 90 días a partir de la fecha de compra.

El servicio de garantía está disponible simplemente poniéndose en contacto con el Centro o Departamento de Servicio Sears más cercano en los Estados Unidos.

Esta garantía se aplica solamente mientras este producto se use en los Estados Unidos.

Esta garantía le confiere a usted derechos legales específicos y es posible que usted tenga también otros derechos que varían de un estado a otro.

Sears, Roebuck and Co., D817 WA, Hoffman Estates, IL. 60179

INSTRUCCIONES DE SEGURIDAD IMPORTANTES

La seguridad es una combinación de sentido común, permanecer alerta y saber cómo funciona la aspiradora. Lea este manual para entender la aspiradora.

Palabras de señal de seguridad

PELIGRO: significa que si no se sigue la información de seguridad, alguien **resultará** herido gravemente o morirá.

ADVERTENCIA: significa que si no se sigue la información de seguridad, alguien **podría** resultar herido gravemente o morir.

PRECAUCIÓN: significa que si no se sigue la información de seguridad, alguien **podría** resultar herido.

Cuando utilice la aspiradora portátil para mojado/seco, siga las precauciones básicas de seguridad, incluyendo las siguientes.

ADVERTENCIA – Para reducir el riesgo de incendio, sacudidas eléctricas o lesiones:

Lea y entienda este manual del usuario y todas las etiquetas que están colocadas en la aspiradora para mojado/seco antes de utilizarla. Utilice la aspiradora únicamente de la manera que se describe en este manual. Para reducir el riesgo de lesiones personales o daños a la aspiradora para mojado/seco, utilice únicamente accesorios recomendados Sears Craftsman.

La chispas que se producen en el interior del motor pueden incendiar los vapores inflamables o el polvo. Para reducir el riesgo de incendios o explosión:

- No recoja con la aspiradora de mojado/seco líquidos inflamables o combustibles, gases o polvos explosivos como gasolina u otros

combustibles, líquido encendedor, disolventes para limpiar, pinturas a base de aceite, gas natural, hidrógeno, polvo de carbón, polvo de magnesio, polvo de granos o pólvora, ni use la aspiradora cerca de estos materiales.

- No recoja con la aspiradora nada que esté ardiendo o humeando, como cigarrillos, fósforos o cenizas calientes.
- No recoja con la aspiradora hollín ni cenizas de chimenea, ya que se trata de un polvo muy fino que no es capturado por el filtro y puede causar daños.
- Para reducir el riesgo de que se produzcan peligros para la salud causados por vapores o polvos, no recoja con la aspiradora materiales tóxicos.
- No use ni almacene la aspiradora cerca de materiales peligrosos.
- Para reducir el riesgo de sacudidas eléctricas, no exponga la aspiradora a la lluvia. Almacénela en interiores.
- No permita que la aspiradora se utilice como juguete. Se necesita prestar máxima atención cuando sea utilizada por niños o cerca de éstos.
- No use esta aspiradora para mojado/seco con un filtro desgarrado o si no tiene el filtro instalado, excepto cuando recoja líquidos de la manera que se describe en la sección de funcionamiento de este manual.
- No abandone la aspiradora cuando esté enchufada. Desenchúfela del tomacorriente cuando no la esté utilizando y antes de realizar servicio de ajustes y reparaciones. Apague la aspiradora antes de desenchufarla.
- No tenga en marcha la aspiradora para mojado/seco desatendida.

- Para reducir el riesgo de lesiones debidas a un arranque accidental, desenchufe el cordón de energía antes de cambiar o limpiar el filtro.
- No desenchufe la aspiradora tirando del cordón. Para desenchufarla, agarre el enchufe y no el cordón.
- No use la aspiradora con el cordón dañado, el enchufe dañado u otras piezas dañadas. Si la aspiradora para mojado/seco no funciona como debe, le faltan piezas, se ha caído, ha sido dañada, se ha dejado a la intemperie o se ha caído al agua, devuélvala a un Centro de Servicio Sears.
- No tire de la aspiradora usando el cordón ni la lleve por el cordón, ni use el cordón como asa, ni cierre una puerta sobre el cordón, ni tire del cordón alrededor de bordes o esquinas afilados. No pase la aspiradora para mojado/seco en marcha sobre el cordón. Mantenga el cordón alejado de las superficies calientes.
- No maneje el enchufe o la aspiradora con las manos mojadas.
- No ponga ningún objeto en las aberturas de ventilación. No recoja nada con la aspiradora cuando cualquiera de las aberturas de ventilación esté bloqueada; manténgalas libres de polvo, pelusa, pelo o cualquier cosa que pueda reducir el flujo de aire.
- Mantenga el pelo, la ropa holgada, los dedos y todas las partes del cuerpo alejados de las aberturas y de las piezas móviles.

- Para reducir el riesgo de caídas, tenga cuidado adicional al limpiar en escaleras. Use esta aspiradora para mojado/seco de la manera que se describe en este manual. Siga las siguientes advertencias que aparecen en la caja del motor de la aspiradora.

ADVERTENCIA: Para reducir el riesgo de sacudidas eléctricas, no exponga la aspiradora a la lluvia. Almacénela en interiores.

ADVERTENCIA: Para su propia seguridad, lea y entienda el manual del usuario. No tenga en marcha la aspiradora desatendida. No recoja cenizas calientes, brasas, materiales tóxicos, materiales inflamables ni otros materiales peligrosos. No use la aspiradora alrededor de líquidos ni vapores explosivos.

PRECAUCIÓN:

- No recoja con la aspiradora polvo de pared de tipo seco ni hollín frío o ceniza fría de chimenea con un filtro para mojado/seco estándar. Este tipo de polvo es un polvo muy fino que no será capturado por el filtro y podría causar daños. Consulte la sección Funcionamiento para informarse sobre la selección del filtro apropiado.

GUARDE ESTAS INSTRUCCIONES

La utilización de cualquier aspiradora utilitaria o soplador utilitario puede hacer que se soplen objetos extraños hacia los ojos, lo cual puede causar daños graves en los ojos. Use siempre anteojos de seguridad que cumplan con la norma ANSI Z87.1 (o en Canadá, con la norma CSA Z94.3) antes de comenzar la operación. Las gafas corrientes sólo tienen lentes resistentes a los golpes. No son gafas de seguridad. Se pueden conseguir anteojos de seguridad en todas las tiendas minoristas Sears. Las gafas o los anteojos que no cumplan con la norma ANSI o CSA podrían causarles lesiones graves al romperse.



Para reducir el riesgo de daños a la audición, use protectores de oídos cuando utilice la aspiradora durante muchas horas seguidas o cuando la emplee en un área ruidosa.

Para operaciones que generan polvo, use una máscara antipolvo.

Utilice únicamente cordones de extensión que tengan capacidad nominal para uso a la intemperie. Los cordones de extensión que estén en malas condiciones o cuyo tamaño de alambre sea demasiado pequeño pueden conllevar peligros de incendio y sacudidas eléctricas. Cuando utilice un cordón de extensión, asegúrese de que esté en buenas condiciones. La utilización de cualquier cordón de extensión causará algo de pérdida de potencia. Para mantener la pérdida al mínimo, utilice la tabla que aparece a continuación para seleccionar el cordón de extensión con el tamaño de cable mínimo.

Longitud del cordón de extensión	Calibre del cable A.W.G.
0-50 pies	14
50-100 pies	12

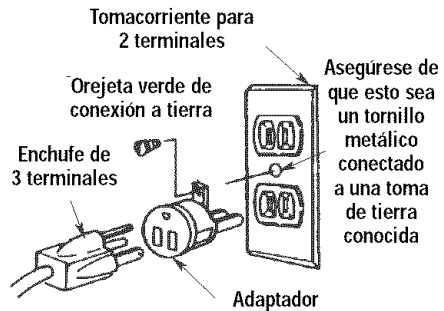
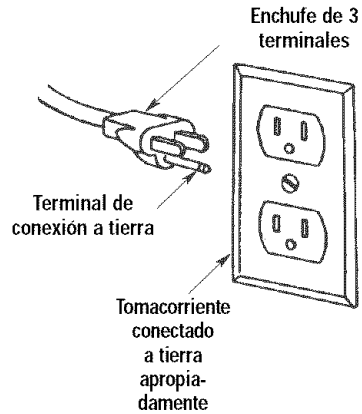
Instrucciones de conexión a tierra

Este electrodoméstico se debe conectar a tierra. En caso de mal funcionamiento o avería, la conexión a tierra proporciona una ruta de resistencia mínima para la corriente eléctrica con el fin de reducir el riesgo de sacudidas eléctricas. Este electrodoméstico está equipado con un cordón que tiene un conductor de conexión a tierra del equipo y un enchufe de conexión a tierra. El enchufe debe introducirse en un tomacorriente apropiado que esté instalado correctamente y conectado a tierra adecuadamente, de acuerdo con todos los códigos y ordenanzas locales.

ADVERTENCIA: La conexión incorrecta del conductor de conexión a tierra del equipo puede causar un riesgo de sacudidas eléctricas. Consulte a un electricista calificado o a una persona de servicio competente si tiene dudas sobre si el tomacorriente está conectado a tierra apropiadamente. No modifique el enchufe suministrado con el electrodoméstico. Si el enchufe no cabe en el tomacorriente, haga que un electricista calificado instale un tomacorriente apropiado.

Este electrodoméstico está diseñado para utilizarse en un circuito de 120 V nominales y tiene un enchufe conectado a tierra que tiene un aspecto como el del enchufe que se muestra en la ilustración. Se puede utilizar un adaptador temporal, que tenga un aspecto como el del adaptador que se muestra en la ilustración, para conectar este enchufe a un receptáculo de dos polos, de la manera que se muestra en la ilustración, si no se dispone de un tomacorriente conectado a tierra apropiadamente. El adaptador temporal debe utilizarse únicamente hasta que un electricista calificado pueda instalar un tomacorriente conectado a tierra apropiadamente. La orejeta, lengüeta o pieza similar rígida de color verde que sobresale del adaptador se debe conectar a una toma de tierra permanente, como por ejemplo una tapa de caja tomacorriente conectada a tierra apropiadamente. Siempre que se utilice el adaptador, se debe sujetar en la posición correcta con un tornillo metálico.

NOTA: En Canadá, el uso de un adaptador temporal no está permitido por el Código Eléctrico Canadiense.



Introducción

Esta aspiradora está diseñada para uso doméstico solamente. Se puede utilizar para la recogida ligera de medios mojados o secos. El diseño liviano permite la utilización para realizar la mayoría de las tareas domésticas de aspiración pequeñas. Familiarícese con las siguientes características del producto y lea todo el manual del usuario para obtener instrucciones sobre la utilización específica de su nueva aspiradora para mojado/seco.

NOTA IMPORTANTE Por favor, léala cuidadosamente

Las sacudidas de electricidad estática son comunes en áreas secas o cuando la humedad relativa del aire es baja. Para reducir la frecuencia con que se producen sacudidas de electricidad estática en su hogar, el mejor remedio es añadir humedad al aire con un humidificador de consola.

Desempaquetado y comprobación del contenido de la caja de cartón

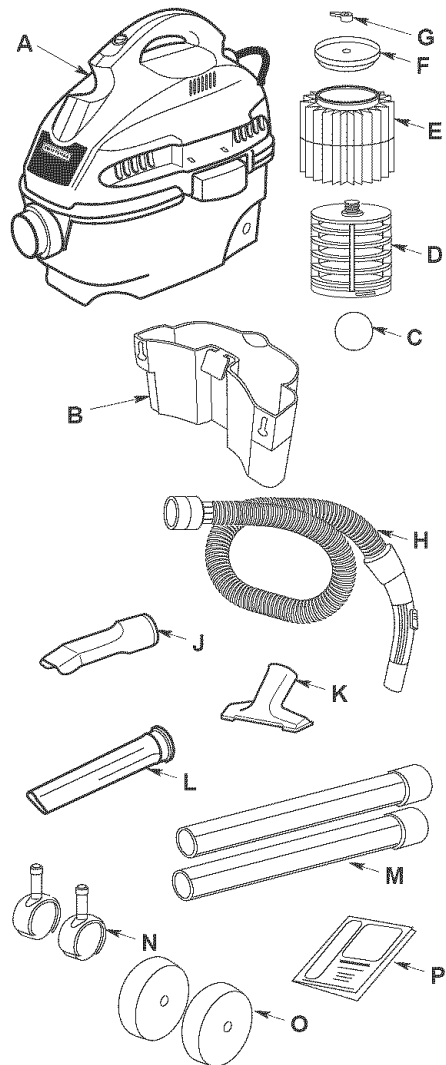
Saque todo el contenido de la caja de cartón. Asegúrese de que no falte ningún artículo utilizando la lista del contenido de la caja. Notifique inmediatamente a la tienda Sears más cercana si alguna pieza está dañada o falta.

Lista del contenido de la caja de cartón

Clave	Descripción	Cant.
A	Aspiradora para mojado/seco	1
B	Recipiente portaaccesorios	1
C*	Flotador	1
D*	Jaula del filtro.	1
E*	Filtro (raya púrpura)	1
F*	Placa del filtro	1
G*	Tuerca del filtro.	1
H	Manguera.	1
J	Boquilla para auto.	1
K	Boquilla utilitaria.	1
L	Boquilla rinconera.	1
M	Tubos extensores	2
N*	Ruedecillas.	2
O*	Ruedas.	2
P	Manual del usuario	1

*Puede que las piezas ya estén ensambladas.

Los filtros de repuesto de venta minorista de Sears se venden con el No. de existencias 9-16949.



Ensamblaje de las ruedas y las ruedecillas

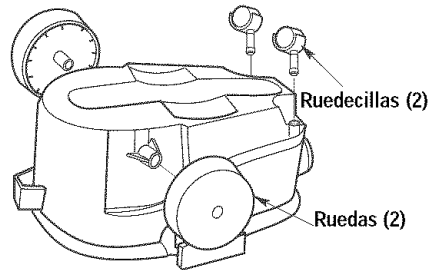
ADVERTENCIA: Para su propia seguridad, no conecte nunca el enchufe a un tomacorriente de la fuente de energía hasta que se hayan completado todos los pasos de ensamble y usted haya leído y entendido las instrucciones de seguridad y funcionamiento. No utilice la aspiradora si alguna pieza está dañada o falta.

Localice las dos ruedas grandes y las dos ruedecillas de ruedas gemelas, ubicadas dentro de la caja de cartón. Las ruedecillas están diseñadas para acoplarse en la parte delantera del tambor de 4 galones y las ruedas más grandes se acoplan en la parte trasera del tambor.

1. Coloque el tambor en posición invertida sobre una superficie plana, de la manera que se muestra en la ilustración.
2. Introduzca las ruedecillas de ruedas gemelas en la parte inferior del tambor, de la manera que se muestra en la ilustración (dos lugares).
3. Empuje la ruedecilla hasta que la pestaña ubicada en el vástago de la ruedecilla esté introducida

completamente en el receptáculo. Usted podrá oír que la pestaña se acopla a presión en el receptáculo. La ruedecilla girará fácilmente cuando el posicionamiento sea correcto.

4. Posicione la porción de cola de milano de una de las ruedas grandes en el interior del tambor, de la manera que se muestra en la ilustración. Golpee el soporte de la rueda hacia el interior del tambor utilizando un mazo blando. Repita el procedimiento para la segunda rueda grande.



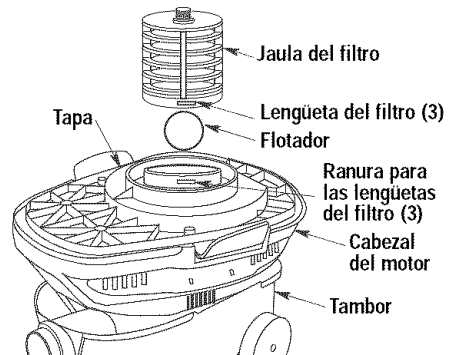
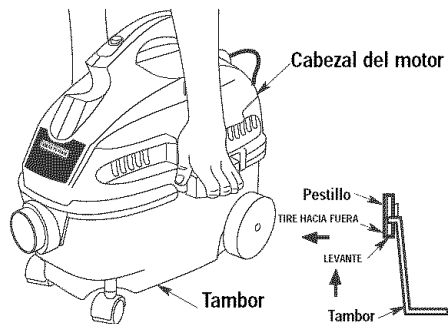
Ensamblaje del flotador y la jaula

NOTA: Si es necesario quitar la jaula del filtro, utilice un destornillador de hoja plana e introduzca la hoja cerca a una de las lengüetas entre la jaula del filtro y el anillo central de la tapa. Haga palanca en la lengüeta para sacarla de la ranura. Incline la jaula y levántela hasta separarla de la tapa. Para colocar de nuevo la jaula del filtro, siga las instrucciones de ensamblaje que aparecen a continuación:

1. Agarre los pestillos ubicados tanto en el lado derecho como en el lado izquierdo del cabezal del motor. Tire lentamente de los pestillos alejándolos del tambor y levante el cabezal del motor hasta separarlo del tambor. Invierta el cabezal del motor y póngalo en el interior del tambor.
2. Localice el flotador. Coloque el flotador sobre la abertura ubicada en el centro de la tapa.

ADVERTENCIA: Para evitar lesiones personales o daños a la aspiradora, asegúrese de mantener las manos, los dedos o cualquier otro objeto extraño fuera de la abertura central cuando ensamble el flotador.

3. Alinee las lengüetas de la jaula del filtro con las ranuras ubicadas en el anillo central de la tapa.
4. Empuje sobre la jaula del filtro hasta que las lengüetas se acoplen a presión en las ranuras para lograr un ajuste seguro (una lengüeta a la vez).



Ensamblaje del filtro

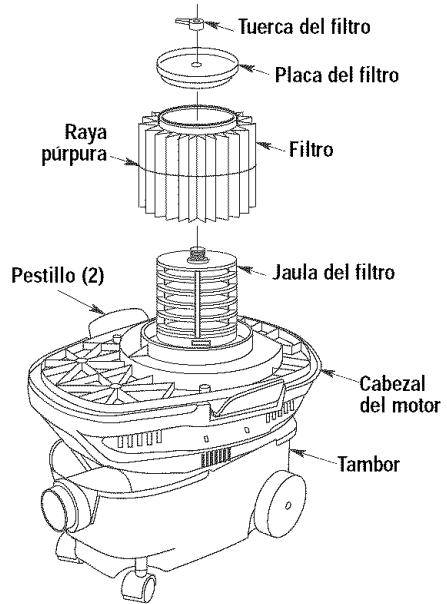
1. Deslice cuidadosamente el filtro sobre la jaula del filtro, deslizándolo sobre el anillo central que cubre las 3 ranuras hasta que el filtro se detenga contra la tapa.
2. Coloque el agujero ubicado en la placa del filtro sobre el tornillo roscado de la jaula del filtro.
3. Empuje suavemente sobre la placa del filtro para asentar el anillo de goma del filtro dentro del canal circular de la placa del filtro.
4. Coloque la tuerca del filtro en el tornillo roscado y apriétela hacia abajo. Apriétela solamente con los dedos.

NOTA: La palanca de la tuerca del filtro debe estar siempre alejada de la placa, de la manera que se muestra en la ilustración.

IMPORTANTE: No apriete excesivamente la tuerca, ya que esto podría deformar o agrietar la jaula del filtro o la placa del filtro.

5. Para ensamblar el cabezal del motor en el tambor, posicione el cabezal del motor sobre el tambor, con los pestillos alineados con el entrante ubicado en el tambor (el cabezal del motor cabrá solamente de una manera en el tambor).
6. Gire ambos pestillos hacia abajo y presiónelos hasta que oiga que se acoplan a presión sobre las pestañas del tambor.
7. Una vez hecho esto, la aspiradora portátil para mojado/seco estará lista para utilizarse. Lea las instrucciones que aparecen en las próximas páginas para utilizar de modo seguro la aspiradora para mojado/seco.

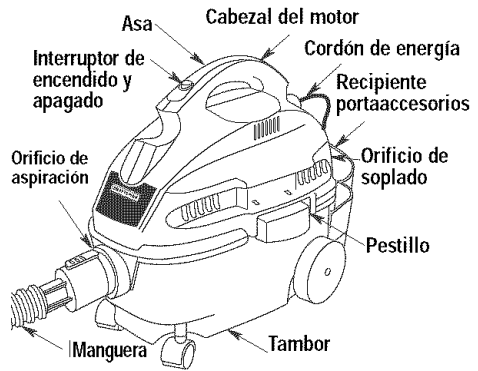
NOTA: El filtro tiene una raya púrpura que coincide con un exhibidor ubicado en el punto de venta de la tienda. Cuando visite una tienda local de Sears, simplemente recuerde el color de la raya de su filtro para obtener el filtro de tamaño correcto.



Familiarización con la aspiradora para mojado/seco —

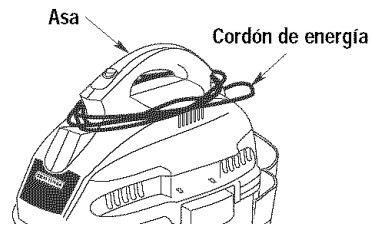
Familiarícese con los controles y las características de la aspiradora portátil para mojado/seco antes de utilizarla.

- Bascule el interruptor hacia la parte de atrás para encender la aspiradora.
- Bascule el interruptor hacia delante para apagar la aspiradora.



Almacenamiento del cordón

1. La aspiradora portátil para mojado/seco tiene una práctica área para almacenar el cordón de energía mientras no se esté usando.
2. Enrolle el cordón de energía alrededor del asa de la aspiradora portátil para mojado/seco.

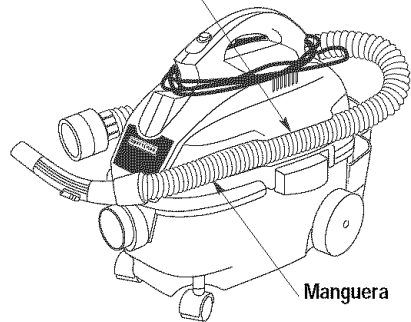


PRECAUCIÓN: Un cordón parcialmente desenrollado podría caer en forma de rollos cerca de los pies. Para evitar este peligro de tropezar, desenrolle siempre completamente el cordón antes de enchufar la aspiradora.

Almacenamiento de la manguera

La manguera se almacena en una ubicación conveniente acoplándola a presión en las áreas entrantes de la manguera ubicadas en los lados.

Área entrante para almacenar la manguera

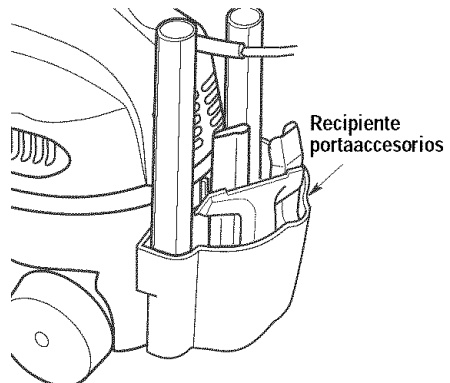


Almacenamiento de accesorios

Los accesorios de la aspiradora portátil para mojado/seco se pueden almacenar en el recipiente portaaccesorios. El recipiente portaaccesorios se puede almacenar en la parte trasera del tambor de la aspiradora o temporalmente en la pared.

Para almacenar el recipiente portaaccesorios en la pared, utilice dos (2) tornillos para madera No. 10 x 1-1/2 pulgadas (no suministrados). Asegúrese de que los tornillos estén separados 16 pulgadas para que se correspondan con la separación estándar de los postes de pared.

Cuando monte el recipiente portaaccesorios, asegúrese de dejar 26 pulgadas de holgura por encima de los tornillos para que también se puedan almacenar los tubos extensores.



Funcionamiento

ADVERTENCIA

Para reducir el riesgo de incendios o explosión, no haga funcionar esta aspiradora en áreas en las que haya gases inflamables, o vapores inflamables o polvo explosivo en el aire. Entre los gases y vapores inflamables se incluye, pero sin limitarse a ellos, líquidos de encendedor, limpiadores a base de disolventes, pinturas a base de aceite, gasolina, alcohol o rociadores aerosoles. Entre los polvos explosivos se incluye, pero sin limitarse a ellos, el carbón, magnesio, polvo de granos o pólvora. No recoja con la aspiradora polvo explosivo, líquidos inflamables o combustibles, ni cenizas calientes. No use esta aspiradora como rociadora para cualquier líquido inflamable o combustible. A fin de reducir los peligros para la salud debidos a vapores o polvos, no recoja con la aspiradora materiales tóxicos.

PRECAUCIÓN: Para reducir el riesgo de daños a la audición, use protectores de oídos al utilizar la aspiradora durante muchas horas seguidas o al emplearla en un área ruidosa.

La utilización de cualquier aspiradora utilitaria puede hacer que se soplen objetos extraños hacia los ojos, lo cual puede causar daños graves en los ojos. Use siempre anteojos de seguridad que cumplan con la norma ANSI Z87.1 (o en Canadá, con la norma CSA Z94.3) antes de comenzar la operación. Se pueden conseguir anteojos de seguridad en todas las tiendas minoristas Sears.

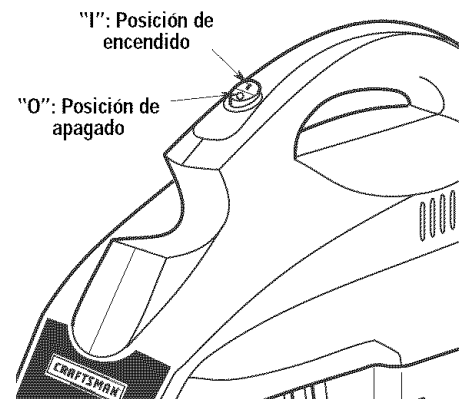
Su aspiradora Craftsman portátil para mojado/seco de cuatro galones se ensambla en la fábrica y está lista para utilizarse cuando se saca de la caja de cartón. La unidad está lista para aspirar o soplar materiales secos. Después de enchufar el cordón de energía en el receptáculo de la pared, encienda la unidad empujando el interruptor de la posición "0" a la posición "I". Los símbolos utilizados en el interruptor son símbolos internacionales. El símbolo "0" es la posición de APAGADO y el símbolo "I" es la posición de ENCENDIDO.

○ = APAGADO | = ENCENDIDO

Recogida de materiales secos con la aspiradora

1. El filtro debe estar siempre en la posición correcta para reducir el riesgo de fugas y posibles daños a la aspiradora. **Es muy importante ensamblar el filtro en la jaula sin permitir ninguna fuga o desgarradura posible. Cualquier fuga permitirá que el medio recogido se expulse por el orificio del soplador y vuelva al entorno circundante.**
2. Cuando utilice la aspiradora para recoger polvo muy fino, será necesario que vacíe el tambor para polvo y que limpie o reemplace el filtro a intervalos más frecuentes para mantener el máximo rendimiento de la aspiradora.

NOTA: Se necesita un filtro para medios secos para recoger material seco. Si utiliza la aspiradora para recoger polvo cuando el filtro esté mojado, éste se taponará rápidamente y será muy difícil limpiarlo. Si el filtro se moja, reemplácelo antes de continuar recogiendo materiales secos con la aspiradora.



Funcionamiento (continuación)

Recogida de líquidos con la aspiradora

1. Para recoger materiales mojados, se recomienda quitar el filtro.
2. Es posible que aparezca neblina procedente del orificio de soplado. Esto es normal.
3. Esta aspiradora para mojado/seco está equipada con un mecanismo de flotador que subirá automáticamente para cortar la circulación de aire cuando el líquido contenido en el tambor alcance un nivel predeterminado. Cuando esto ocurra, apague la aspiradora, desenchufe el cordón de energía y vacíe el tambor. Sabrá que el flotador ha cortado la circulación de aire porque la succión cesará y el ruido del motor alcanzará una frecuencia más alta debido al aumento de la velocidad del motor. La capacidad de líquido puede variar con la velocidad de recogida.

IMPORTANTE: Para reducir el riesgo de daños a la aspiradora, no haga funcionar el motor con el flotador en la posición subida.

4. Después de utilizar la aspiradora para recoger líquidos, se debe secar el filtro para evitar una posible formación de moho y posibles daños al filtro.

Vaciado del tambor

ADVERTENCIA: Para reducir el riesgo de lesiones debidas a un arranque accidental, desenchufe el cordón de energía antes de vaciar el tambor.

1. Quite el ensamblaje del cabezal del motor de la aspiradora portátil para mojado/seco tirando hacia afuera de los pestillos ubicados a cada lado de la aspiradora. Levante el ensamblaje del cabezal del motor.
2. Tire el contenido del tambor en el recipiente de eliminación de residuos apropiado.

Transporte de la aspiradora

En caso de que sea necesario levantar la aspiradora, se debe usar el asa ubicada en la tapa. Si el tambor tiene residuos o líquido en su interior, se debe mantener también una mano debajo del tambor. Esta unidad también está equipada con 4 ruedas y se puede hacer rodar maniobrando el asa o la tapa.

Mantenimiento

Filtro

ADVERTENCIA: Para reducir el riesgo de lesiones por causa de un arranque accidental, desenchufe el cordón de energía antes de cambiar o limpiar el filtro.

ADVERTENCIA: No quite la jaula del filtro. Está ahí para ayudar a evitar que los dedos del operador entren en la rueda del soplador.

Se debe limpiar a menudo el filtro para mantener el rendimiento máximo de la aspiradora.

Asegúrese de secar el filtro antes de almacenar la aspiradora o recoger residuos secos.

NOTA: Este filtro está hecho de papel de alta calidad diseñado para detener partículas de polvo muy pequeñas. El filtro se puede utilizar para recoger material mojado o seco. Maneje el filtro cuidadosamente cuando lo quite para limpiarlo o cuando lo

instale. Es posible que se formen arrugas en los pliegues del filtro como resultado de la instalación, pero las arrugas no afectarán el rendimiento del filtro.

Remoción

Para quitar el filtro con el fin de limpiarlo o reemplazarlo, quite la tuerca del filtro del tornillo ubicado en la jaula del filtro, quite la placa del filtro y levante el filtro.

IMPORTANTE: Para evitar dañar la rueda del soplador y el motor, reinstale siempre el filtro antes de utilizar la aspiradora para recoger material seco.

IMPORTANTE: Después de limpiar el filtro, compruebe si éste tiene desgarraduras o agujeros pequeños. No utilice un filtro que tenga agujeros o desgarraduras. Incluso un agujero pequeño puede hacer que salga mucho polvo de la aspiradora. Reemplace el filtro inmediatamente.

Mantenimiento (continuación)

Limpeza de un filtro seco

NOTA: Para obtener los mejores resultados de limpieza cuando se haya acumulado polvo en el filtro, limpie el filtro en un área abierta. La limpieza DEBE realizarse en el exterior y no en áreas de vivienda.

1. Se puede lograr un poco de remoción de residuos secos sin quitar el filtro de la aspiradora, dando una palmada con la mano en la parte superior de la tapa mientras la aspiradora está apagada.
2. Después de quitar el filtro de la aspiradora, quite los residuos secos golpeando suavemente el filtro contra la pared interior del tambor para polvo y los residuos se soltarán y caerán.
3. Para realizar una limpieza a fondo del filtro seco con polvo fino (sin residuos), se puede pasar agua a través del filtro de la manera que se describe en "Limpeza de un filtro mojado".

Limpeza de un filtro mojado

Después de quitar el filtro, si éste está mojado, se debe limpiar pasando agua a través de él usando una manguera o una espita. Tenga cuidado de que la presión del agua de la manguera no sea lo bastante fuerte como para dañar el filtro.

Instalación

Para asegurarse de lograr un sello apropiado, limpie el área de la tapa donde el filtro se asentará. Deslice el filtro nuevo sobre la jaula del filtro. Consulte la página 18 para informarse sobre el "Ensamblaje del filtro" apropiado.

Para mantener el mejor aspecto posible de la aspiradora portátil para mojado/seco, limpie el exterior con un paño humedecido con agua templada y un jabón suave.

Mantenimiento de la aspiradora portátil para mojado/seco

Para mantener el mejor aspecto posible de la aspiradora portátil para mojado/seco, limpie el exterior con un paño humedecido con agua templada y un jabón suave. Para limpiar el tambor:

1. Vierta los residuos del tambor para vaciarlo.
2. Lave a fondo el tambor con agua templada y un jabón suave.
3. Limpie el tambor con un paño seco.

ADVERTENCIA: Para garantizar la **SEGURIDAD** y **CONFIABILIDAD** del producto, las reparaciones y el ajuste deben ser realizados por Centros de Servicio Sears, utilizando siempre piezas de repuesto Sears.

NOTA: Si las ruedecillas hacen ruido, se puede poner una gota de aceite en el vástago del rodillo para hacer que sean más silenciosas.

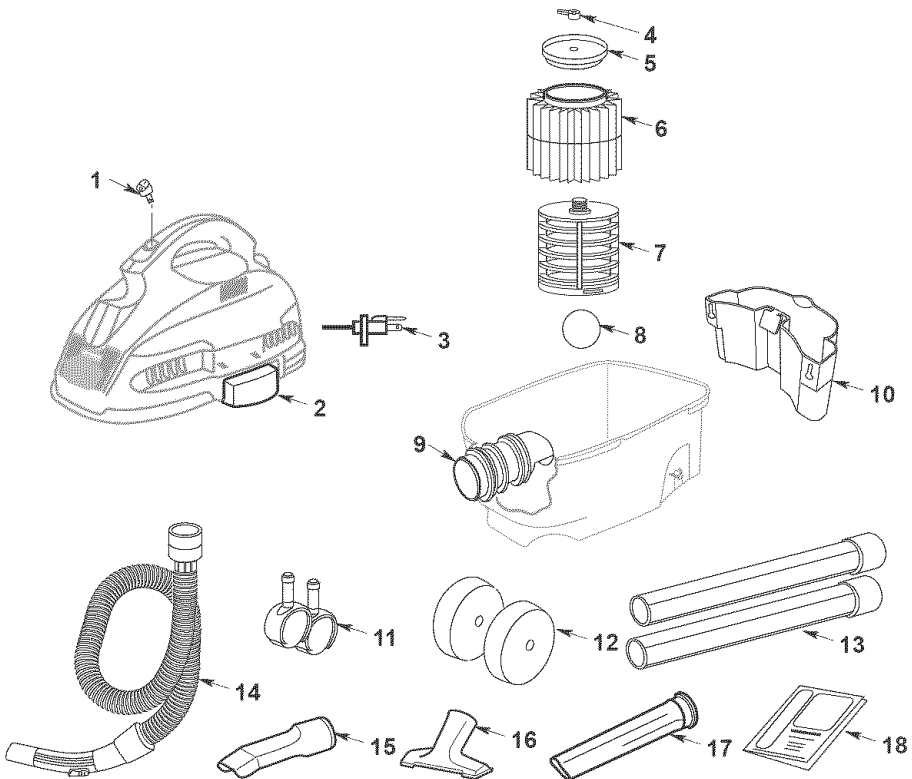
Piezas de repuesto

Aspiradora portátil para mojado/seco de 4 galones Número de modelo 113.17765

Pida siempre por el número de pieza, no por el número de clave

No. de clave	No. de pieza	Descripción
1	830996	Accionador del interruptor
2	831009	Pestillo (2)
3	830997	Cordón con terminales
4	9-16938	Tuerca del filtro
5	831010	Placa del filtro
6	9-17810	Filtro (raya púrpura)
7	831007	Jaula del filtro
8	817254	Flotador
9	831001	Tubo de entrada/deflector

No. de clave	No. de pieza	Descripción
10	830998	Recipiente portaaccesorios
11	831000	Ruedecillas (2)
12	830999	Ruedas (2)
13	9-17861	Tubos extensores
14	830995	Manguera
15	9-16921	Boquilla utilitaria
16	9-17868	Boquilla para auto
17	9-17863	Boquilla rinconera
18	SP6574	Manual del usuario



Para pedir servicio de reparación a domicilio de marcas principales:

Llame 24 al día, 7 días a la semana, al

1-800-4-MY-HOME (1-800-469-4663)

Para pedir servicio de reparación a domicilio: **1-800-676-5811**

Para obtener las piezas de reparación o de repuesto que necesita:
Llame de 6:00 a 23:00 hrs. CST (Hora Oficial Central), 7 días a la semana, a

Parts Direct (Piezas Directas)

1-800-366-PART (1-800-366-7278)

Para pedir piezas con entrega a domicilio: **1-800-659-7084**

Para obtener la ubicación de un Centro de Piezas y Reparación de Sears
en su área:

Llame 24 horas al día, 7 días a la semana, al

1-800-488-1222

Para obtener información sobre la compra de un Contrato de Mantenimiento
de Sears o para obtener información sobre un Contrato existente:

Llame de 9:00 a 15:00 hrs., de lunes a sábado, al

1-800-827-6655

WARNING: The power cord on this product contains lead, a chemical known in the State of California to cause birth defects or other reproductive harm. *Wash hands after handling.*



Los números de modelo y de serie se encontrarán en el asa.

Cuando solicite servicio o pida piezas, dé siempre la información siguiente:

- Tipo de producto
- Número de modelo
- Número de pieza
- Descripción de la pieza

© 2004 Emerson

Sears, Roebuck and Co., Chicago, IL 60179 U.S.A.

No. de pieza. SP6574

No. de formulario SP6574

Impreso en China 07/04