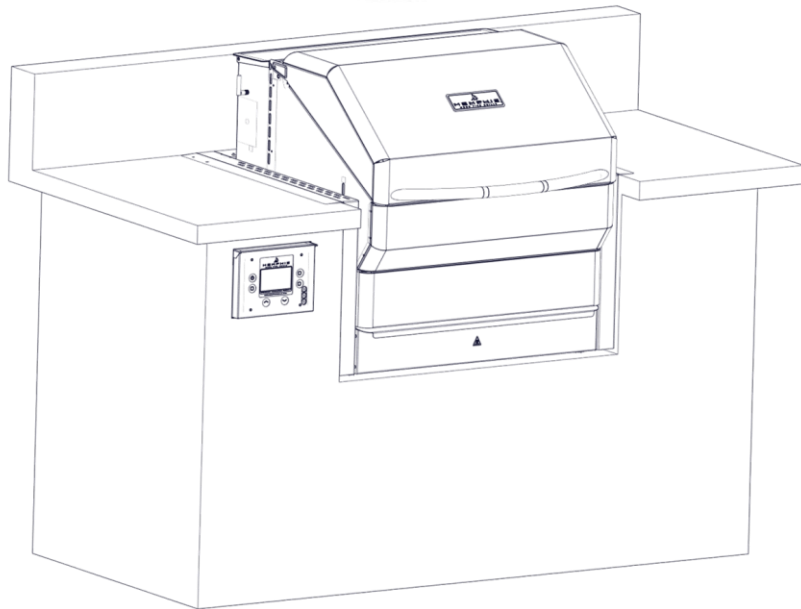




MEMPHIS

WOOD FIRE GRILLS



Memphis Pro Built-In

Model Number VGB0001S

Appendix and Model-Specific Information

<u>Contents</u>	
Grill Clearance to Combustible Materials	2
Grill Island Dimensions	3
Hardware Kit	4
Installation Step 1-6	5-10
WiFi Setup	11
Wiring Diagram	12-13

**READ ALL INSTRUCTIONS BEFORE INSTALLING AND USING THIS APPLIANCE
SAVE THESE INSTRUCTIONS FOR FUTURE REFERENCE**



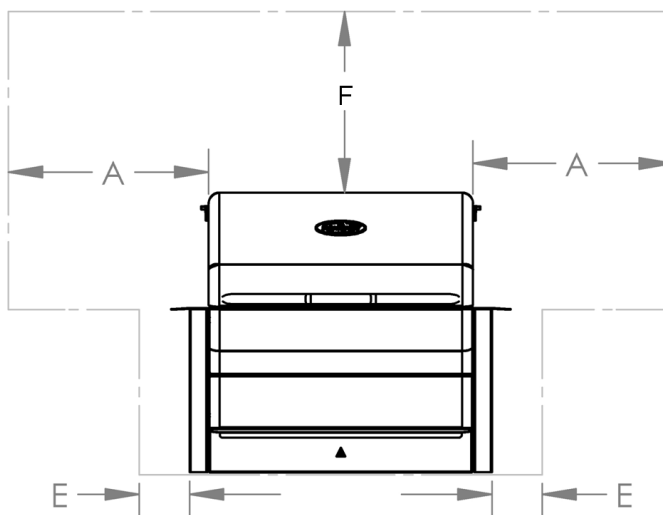
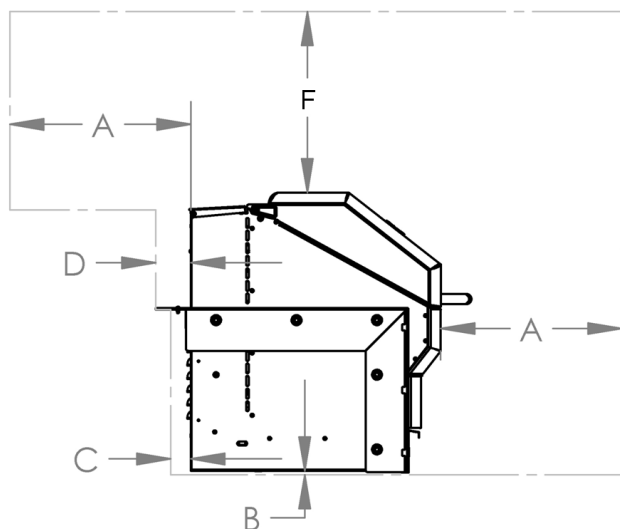


Clearance To Combustible Materials

WARNING: The structure and surrounding objects MUST maintain the specified minimum clearance to combustible materials.

Built-in structures constructed of wood or other combustible materials may require the use of the OPTIONAL Built- In Heat Shield Kit to maintain the required clearance to combustible materials. The grill may be supported by either the three support brackets, or the four leveling feet. Please note that there must be at least 3/8" (1.0cm) clearance between the bottom of the grill and the structure.

Maintain the clearance to combustible materials as specified below.



	DIMENSION (US)	UNIT WITH OPTIONAL HEAT SHIELD KIT (VGBHSK)
A	18"	18"
B	3/8"	3/8"
C	2"	2"
D	3.5"	3.5"
E	18"	1/8"
F	30"	30"

	DIMENSION METRIC	UNIT WITH OPTIONAL HEAT SHIELD KIT (VGBHSK)
A	45.8 cm	45.8 cm
B	1.0 cm	1.0 cm
C	5.1 cm	5.1 cm
D	8.9 cm	8.9 cm
E	45.8 cm	0.5 cm
F	76.2 cm	76.2 cm

A MAJOR CAUSE OF FIRES IS FAILURE TO MAINTAIN REQUIRED CLEARANCES (AIR SPACES) TO COMBUSTIBLE MATERIALS. IT IS OF UTMOST IMPORTANCE THAT THIS PRODUCT BE INSTALLED ONLY IN ACCORDANCE WITH THESE INSTRUCTIONS



Built-In Grill Island Dimensions

WARNING: See clearance to combustible materials, when designing and constructing a built-in island. Built-In islands must be built to the specifications listed below.

The owner and/or builder are responsible for consulting local, county and state building codes for securing any necessary building permits before construction. NOTE: Construction codes vary from locality to locality.

VGB0001 PRO BUILT-IN		
DIMENSION		TOLERANCE
A	30 ¼"	± 1/8"
B	16 ¾"	± 1/8"
C	24 ½"	± 1/8"
D	8 ½"	+ 1/8" -0"
E	6 ½"	+ 1/8" -0"
F	3" to 9'	
G	3 ½" MIN	
H	12" MIN	
J	22"	±1"
K	Standard Cabinet Height	

VGB0001 PRO BUILT-IN		
DIMENSION		TOLERANCE
A	76.9 cm	± .30cm
B	42.6 cm	± .30cm
C	62.9 cm	± .30cm
D	21.6 cm	+ .30cm -0cm
E	16.5 cm	+ .30 cm -0cm
F	7.7 cm to 2.74 m	
G	8.9 cm	
H	30.5 cm	
J	55.9 cm	±2.54cm
K	Standard Cabinet Height	

NOTE: Dimensions are to the finished surfaces. Grill cavity surfaces are to be plumb and level to ensure a proper fit.

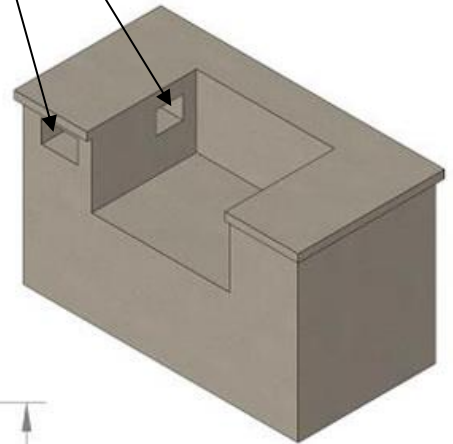
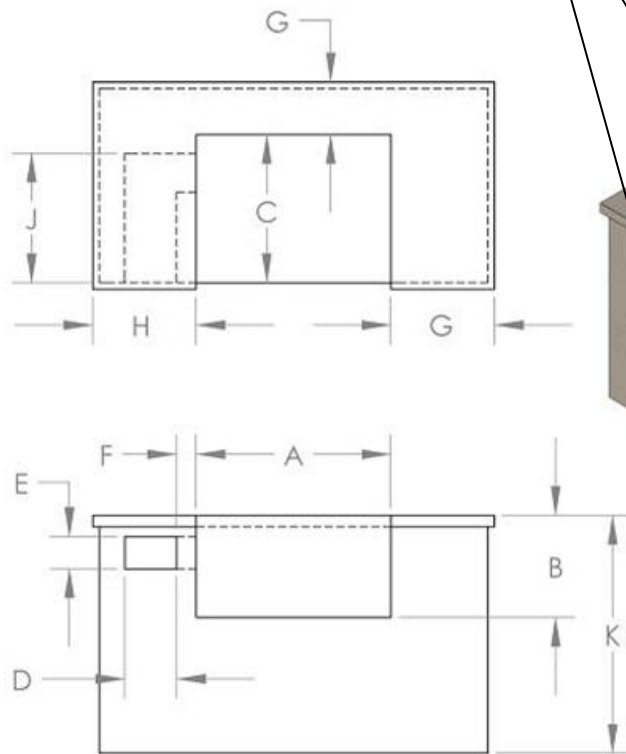
ITC Control Location

110/120v* AC supply required within 10 ft. of the ITC.

NOTE: The location of the ITC is for illustration purposes only. The grill is equipped with 10 feet of cable, allowing it to be mounted in a variety of locations.

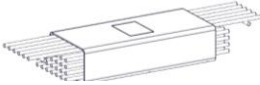
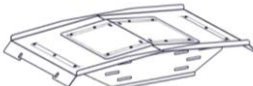


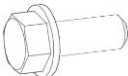
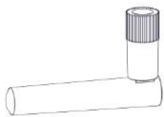
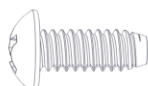

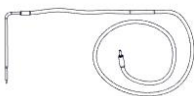
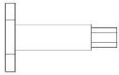


*European 230V

Controller cable way is to maintain dimensions D and E throughout its entire path. The controller cable way may be located either through the back of the island's cavity, or in either side of the cavity as depicted below.

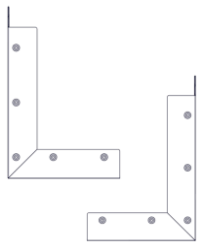

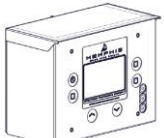
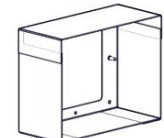







HARDWARE COMPONENTS

DESCRIPTION/PART NO.	QTY:	PICTURE
1) Grate Kit VG4409	1	
2) Flavorizer VG4403	1	
3) Direct Flame Insert VG4407	1	
4) Genie Tool VG1594	1	
5) Bracket Bolt DS2311	10	
6) Antenna VG9025	9	
7) #10 Screw (SS) DS2186	2	
8) Power Cord VG0911	1	
9) Meat Probe VG0956	1	
10) Leveling Feet DS4668	4	
11) Concrete Anchor DS2349	2	
12) #10 SS PH SCREW DS2350	2	

HARDWARE COMPONENTS CONT.

DESCRIPTION/PART NO.	QTY:	PICTURE
13) Left Mounting Bracket VG0803	1	
14) Right Mounting Bracket VG0802	1	
15) Rear Mounting Bracket VG0801	1	
16) Prewired Controller Box VG1165	1	
17) Controller Box Bracket VG1065	1	
OPTIONAL		
18) HEAT SHIELD VGBHSK	2	
19) #10 Screw (BLK) DS2185	4	

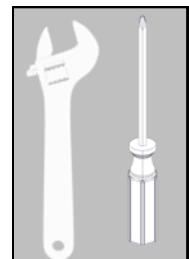
TIME REQUIRED

1.5 Hours



TOOLS REQUIRED

- 3/8" Open End Wrench, Socket or Adjustable Wrench
- Phillips Screw Driver or Drill
- Snips or Heavy Duty Scissors
- Cut Resistant Gloves



INSTALLATION STEP 1: UNPACKING

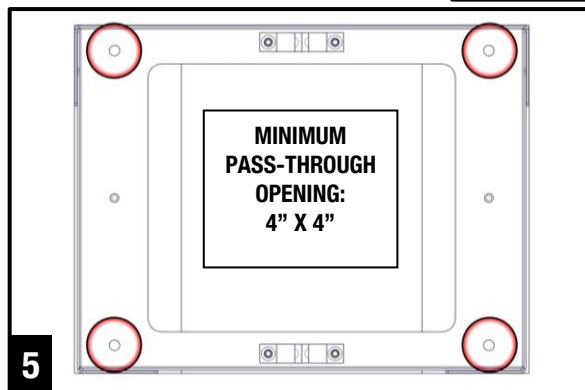
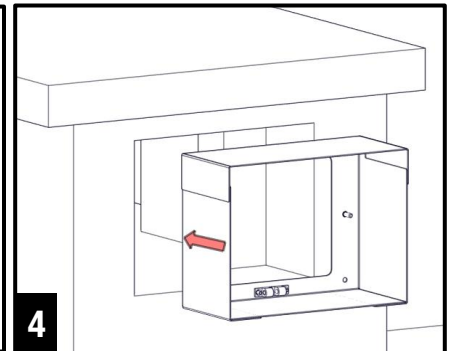
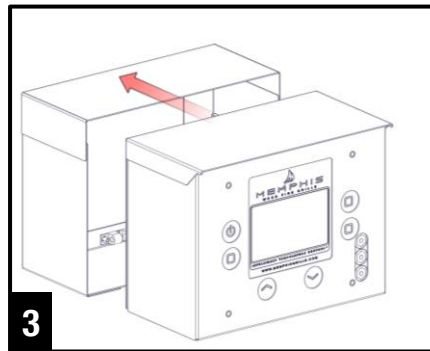
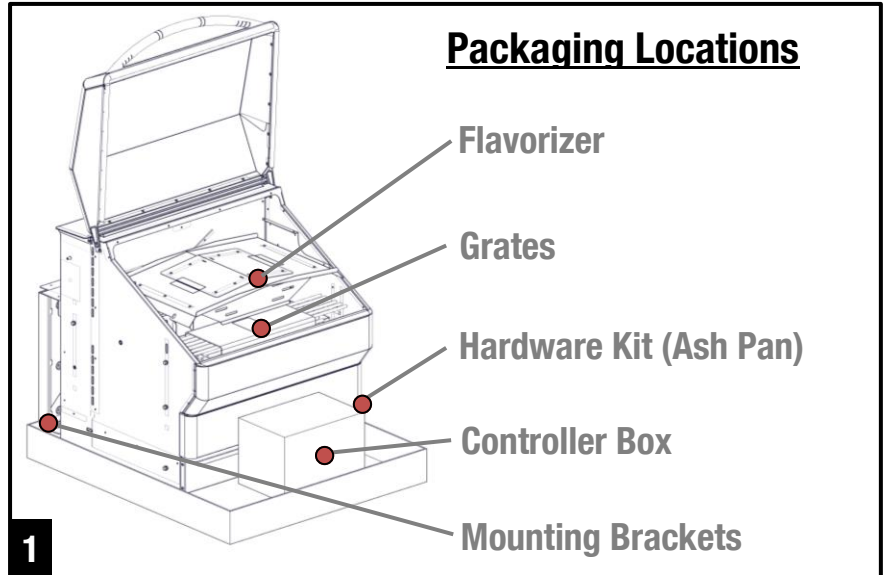


Grill requires (2) two people for safe assembly

Please note that during shipping some movement may have taken place, so a complete visual inspection is required. Be sure to inspect entire grill after removing the protective shipping carton. Report any damage to your local dealer immediately. Shipping damage is not covered under warranty.

Some surfaces may be sharp so wear gloves when assembling. **Do not plug in the grill until it's fully assembled, the plastic protective film is removed from all stainless steel surfaces, and you're ready to cook. See: "startup procedure" for more details.**

- 1) Unpack the controller box (16) and bracket (17) from inside of the grill hood. Also remove the Flavorizer (2) and included grates (1) from inside the grill hood. To remove the Flavorizer, cut the 4 zip ties holding it in place. Set aside grates and Flavorizer until needed.
- 2) Peel all plastic protective film from the grill. Be diligent about inspection as the protective film will be hard to remove once a grill is installed and first burned.
- 3) Detach the controller bracket (17) from the controller box (16) by pulling directly backward on the bracket. This is the same way the box will detach once installed.
- 4) Install the bracket into your structure as shown. **The bracket will require a minimum cavity opening of 8 1/2" Width, 6 1/2" Tall, and 3 3/4" Deep.**
- 5) Fasten the bracket using the 4 mounting holes which accept hardware up to 3/16" wide (not included). Choose a fastener appropriate to your island material type.

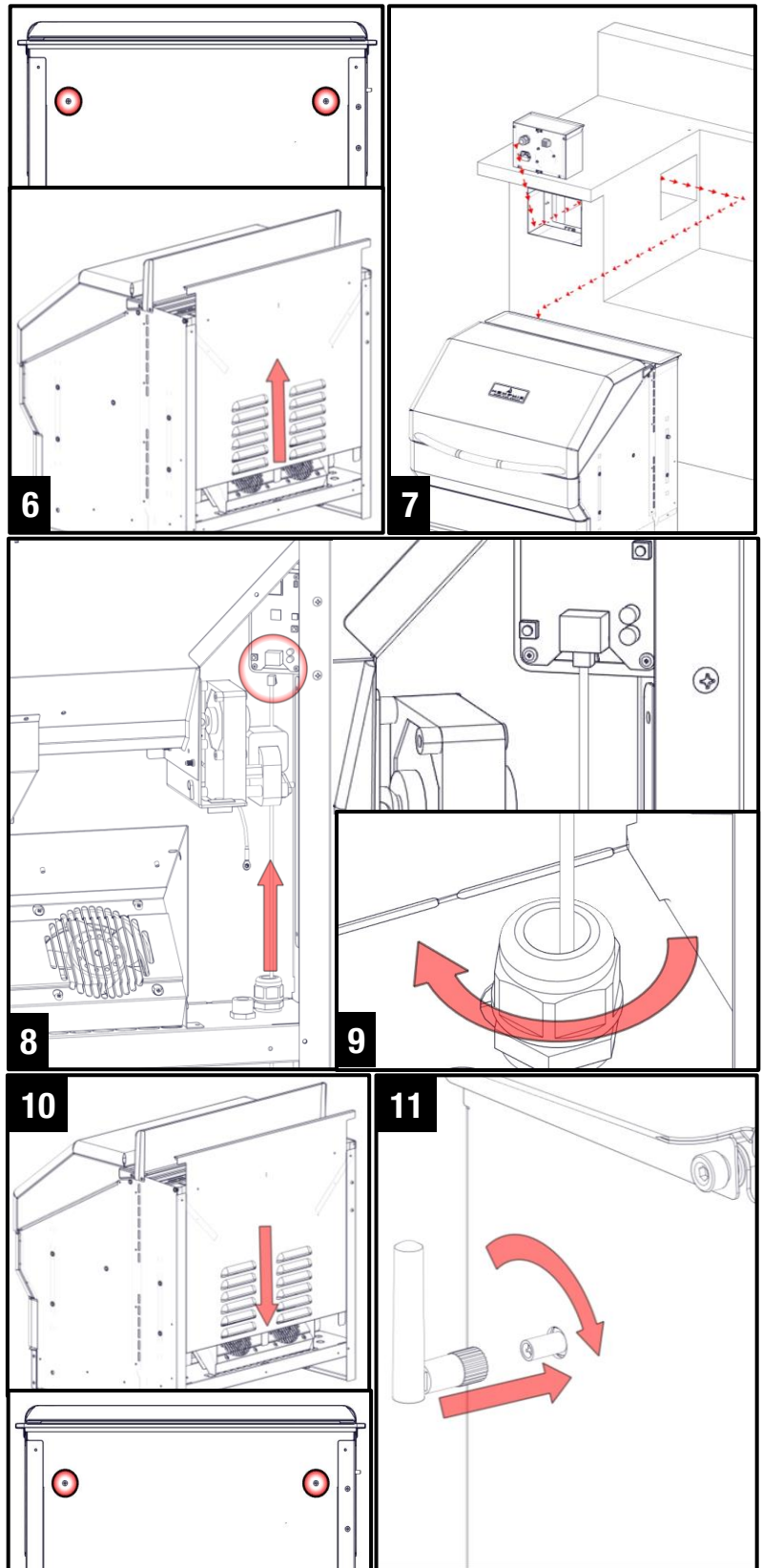




INSTALLATION STEP 2: WIRING

Follow the assembly steps listed below, prior to installation of the unit.

- 6) Remove the back panel of the grill by removing the two screws as shown and then lifting the panel up.
- 7) The prewired controller box has an Ethernet cord which must be routed through the controller cableway and into the back of the grill body before the support brackets are installed. To do this, pass the cord through the strain relief which is located on the back left side of the grill. (Looking at the grill from the front) This strain relief is located next to the strain relief used for the component wiring harness.
- 8) Once the Ethernet cord is passed into the back of the grill, connect it into the bottom of the WiFi card as shown. The tab on the Ethernet cord goes towards the front of the grill.
- 9) Tighten the strain relief onto the Ethernet cord as shown.
- 10) Replace the back panel by locating its three bottom tabs into their slots provided. Replace the two screws which secure the back panel in place.
- 11) Install the included antenna into its bulk head. The bulk head is located on the left panel of the grill (Looking at the grill from the front).





INSTALLATION STEP 3: BRACKETS

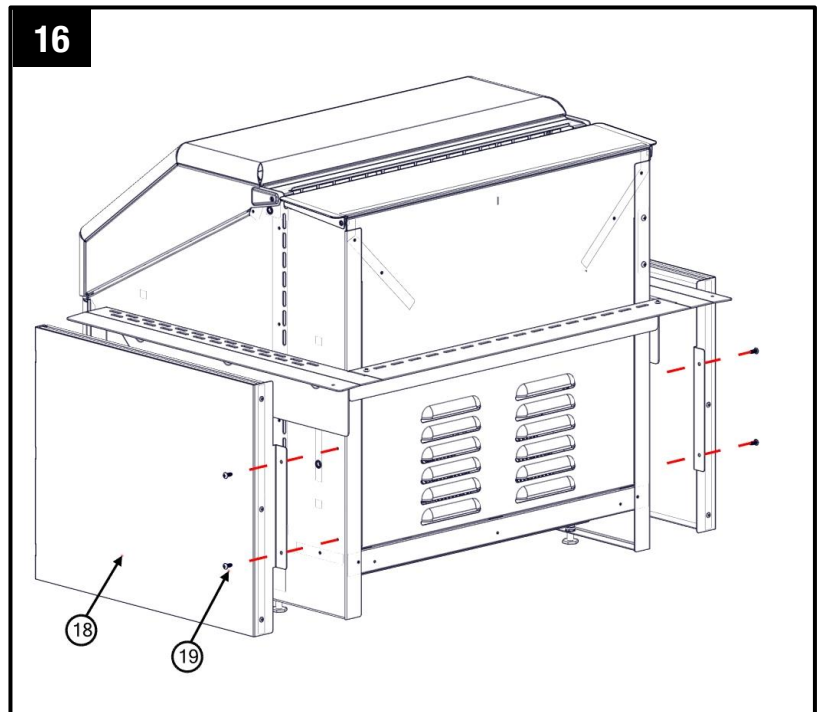
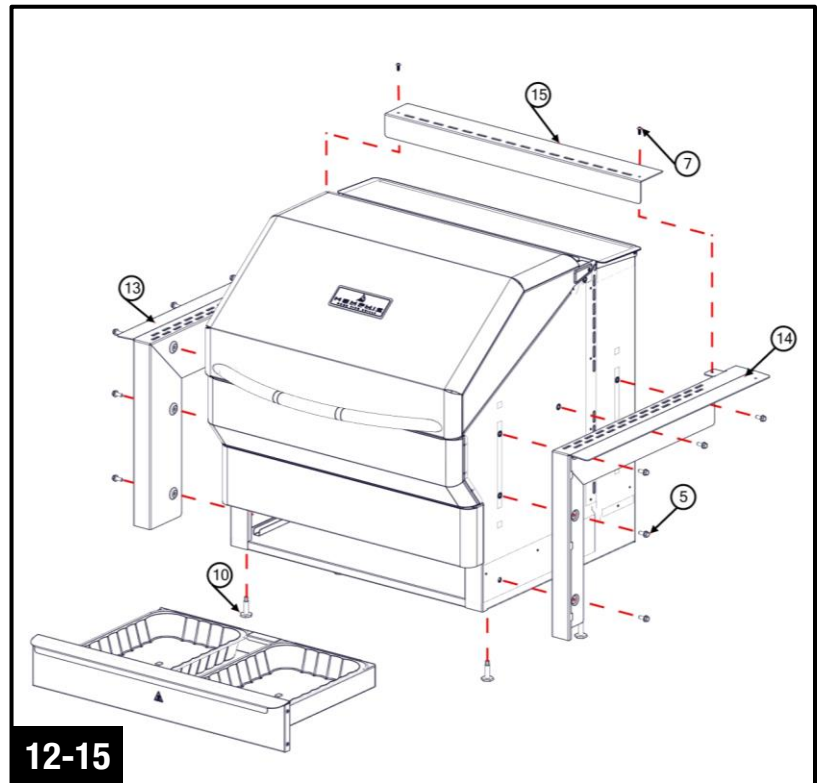
Follow the assembly steps listed below, prior to installation of the unit. The unit can be supported by either the support brackets (items 13, 14 & 15) or by the four leveling feet (item 10). Refer to page 4 for item part numbers, descriptions and quantities.

Note that the support brackets must be installed with either support method.

- 12) Remove the ash/grease drawers from the unit.
- 13) Fasten the left and right support brackets (items 13 and 14) to the unit using the ten 1/4"-20 stainless steel hex bolts (item 5).
- 14) Fasten the rear support bracket (item 15) to the left and right support brackets (items 13 and 14) with two 10-24 x 1/2" long stainless steel screws (item 7).
- 15) This step is only to be done if the grill is going to be supported by the four leveling feet (item 10) and not the support brackets. Thread the four leveling feet (item 10) into the bottom of the unit.

Optional:

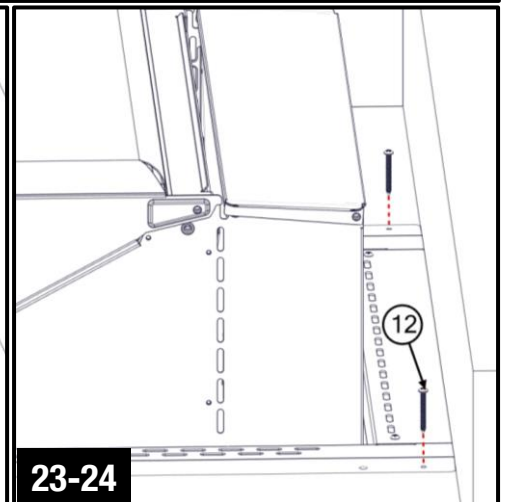
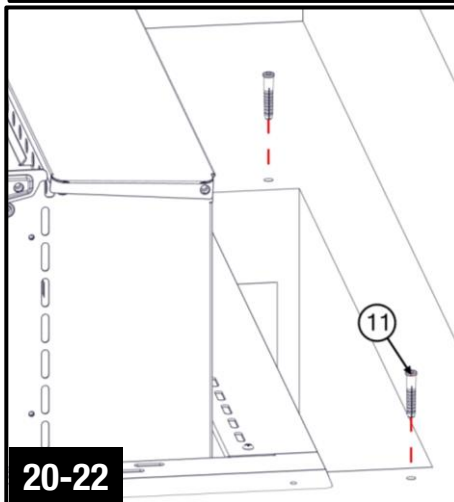
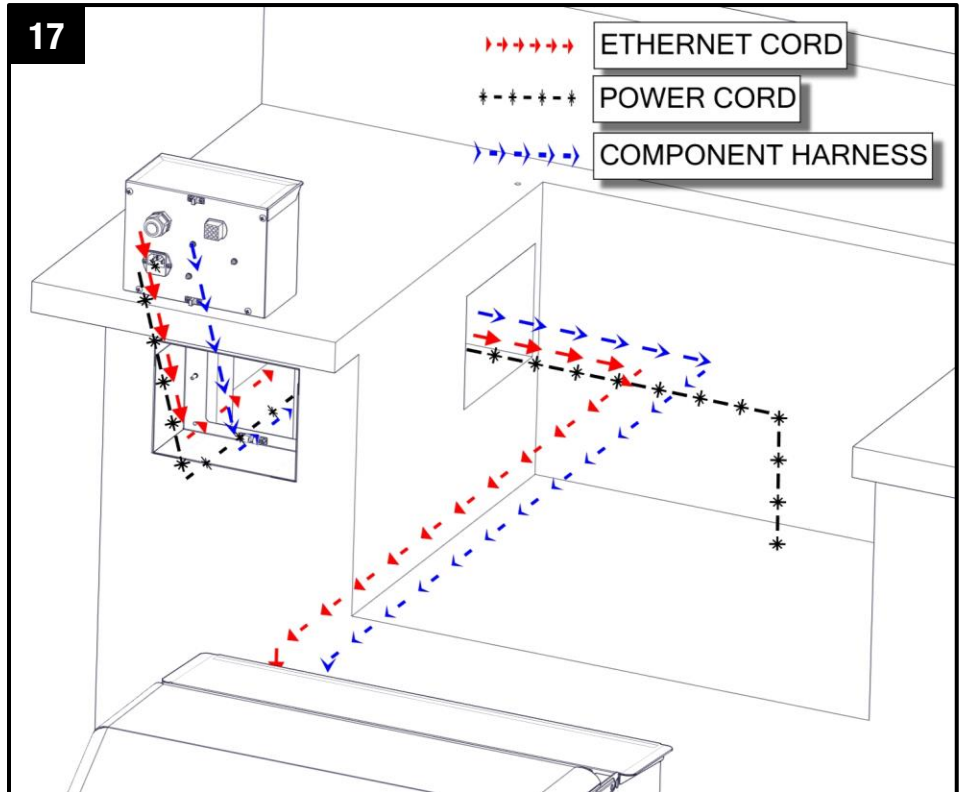
- 16) To reduce the clearance to combustible materials, the optional heat shield kit should be used. Refer to page one to determine if the heat shield kit is required for your installation. Follow the assembly instructions provided with the heat shield kit to properly fasten the kit to the unit.





INSTALLATION STEP 4: GRILL MOUNTING

- 17) Route the component harness and power cord alongside of the Ethernet cable previously routed in the controller cableway. Connect the ends to the controller box as shown.
- 18) Place the unit into the island, and position it to the desired depth. Ensure that the vent holes in the support brackets are unobstructed.
- 19) Locate the two mounting holes found in the back of the left and right support brackets (items 13 & 14), and mark the hole locations onto the island's countertop.
- 20) Carefully slide the unit out of the island, exposing the marked holes on the countertop.
- 21) Drill two 5/16" holes into the countertop using a drill bit appropriate for the material of the countertop.
- 22) Insert two concrete anchors (item 11), into the two 5/16" holes.
- 23) Slide the unit back into position, lining up the mounting holes in the left and right support brackets with the concrete anchors.
- 24) Fasten the unit into place using the two 1 3/4" long stainless steel screws (item 12). Do not over-tighten.





INSTALLATION STEP 5: CONTROLLER BOX INSTALL

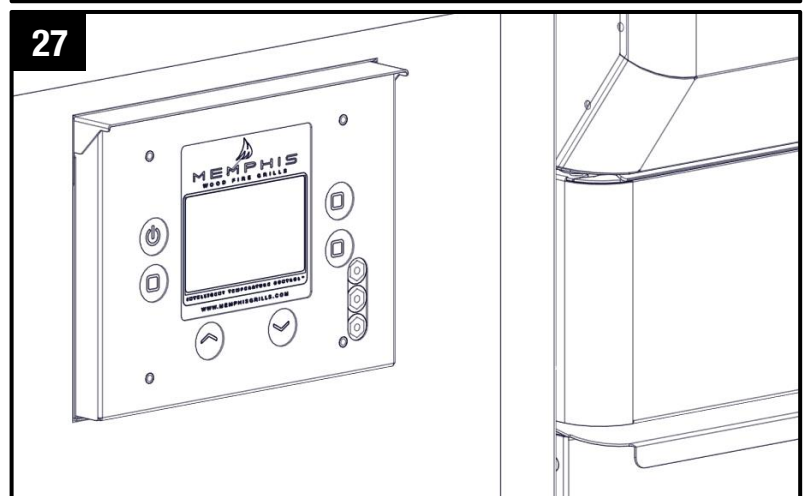
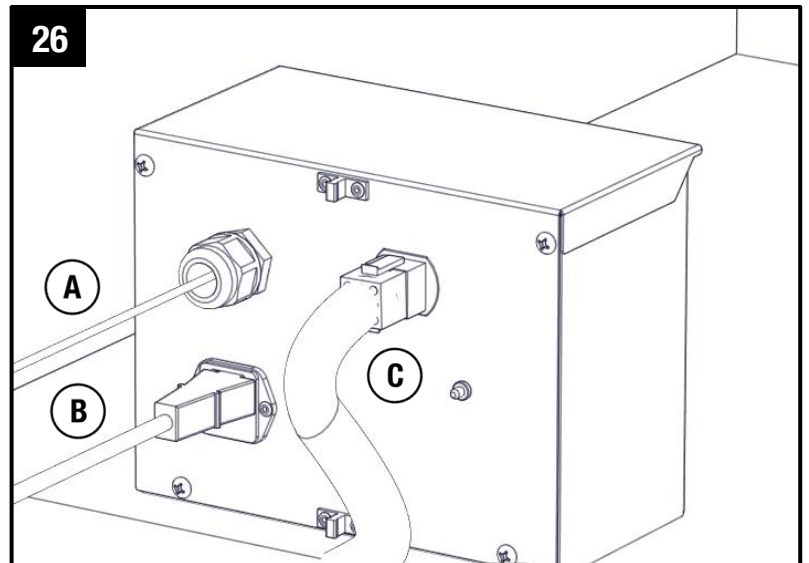
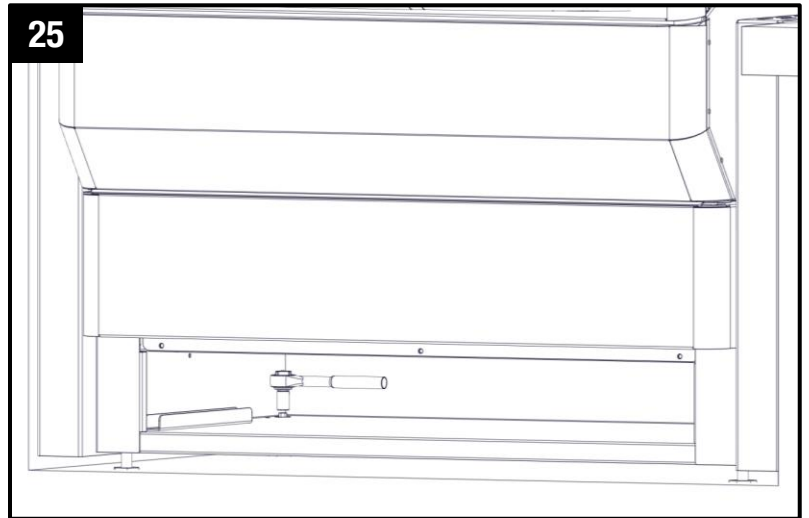
Refer to page 5 for item part numbers, descriptions and quantities

25) Skip this step if grill will be supported by the support brackets. Adjust the four leveling feet from the inside of the ash/grease drawer cavity with a 1/4" socket ensuring that the unit is level, and that the support brackets (items 13,14 & 15) come in contact with the island's countertop.

26) Ensure that the controller box has the following connections into the back of it.

- The prewired Ethernet cable. This cable is pre routed into the back of the controller box prior to shipment.
- The component harness. This harness carries electricity to the grills component such as auger, fans, and igniter.
- Power cord. Ensure that the IEC on the back of the controller box has the included power cord attached to it as shown.

27) After checking for the connections as described above, push the controller box into the pre-installed bracket. The box will lock into place. To remove this box for maintenance or software updates in the future, simply pull on the controller box and the ball detents will release.





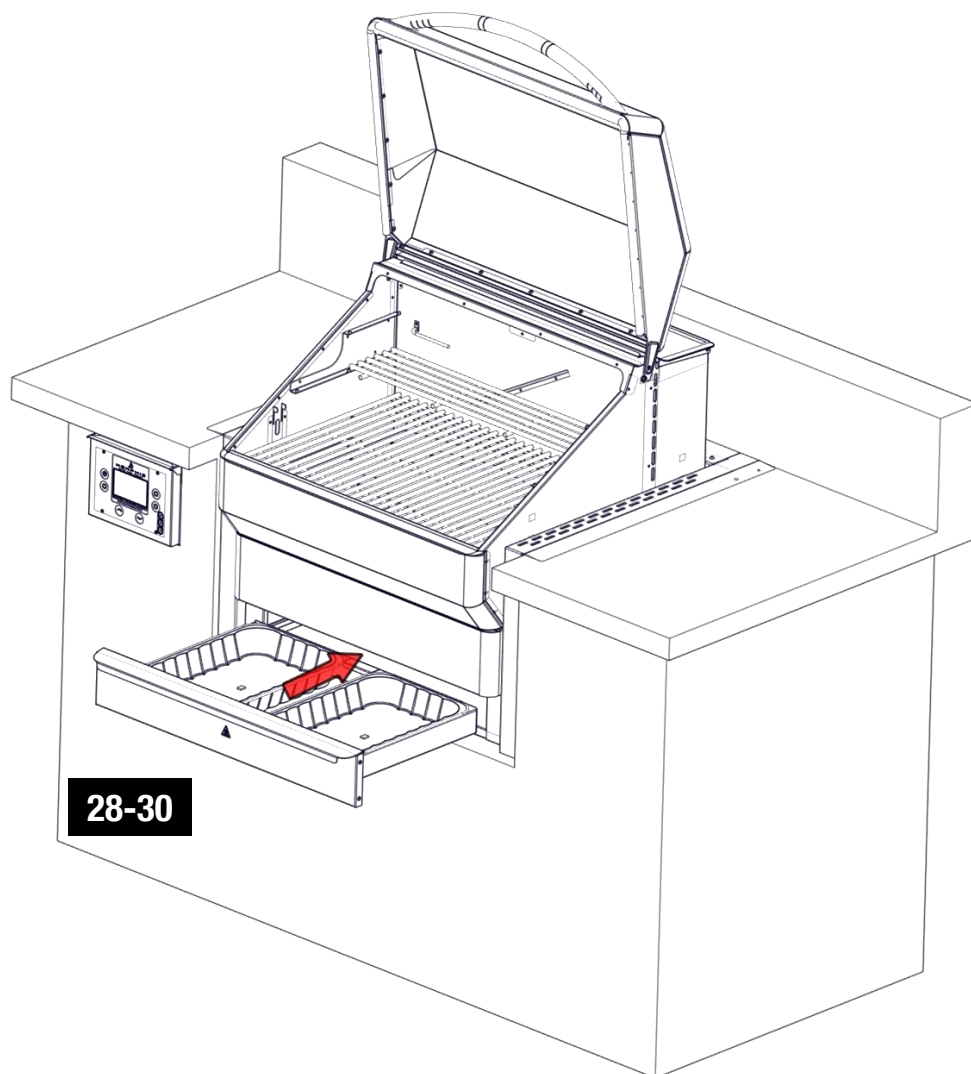
INSTALLATION STEP 6: FINAL ASSEMBLY

Refer to page 5 for item part numbers, descriptions and quantities

- 28) Insert the three ash/grease drawers back into the unit.**
- 29) Place Flavorizer (item 2) onto the left and right lower brackets found inside the unit.**
- 30) Place the four lower cook grates (item 1) onto the front and rear supports. Place the long cook grate (item 1) onto the left and right upper brackets found inside the unit.**

Vent holes on the mounting brackets must remain unobstructed.

Refer to the manual for first time use instructions.

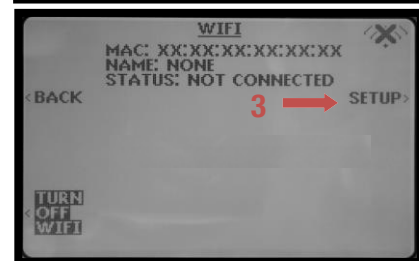
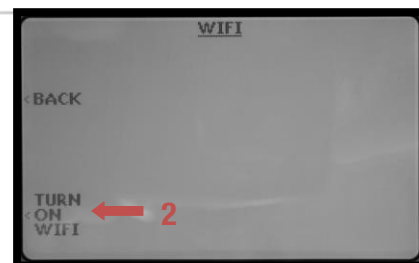


MEMPHIS



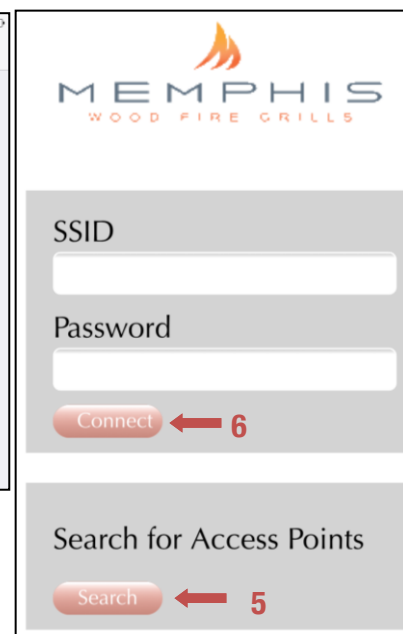
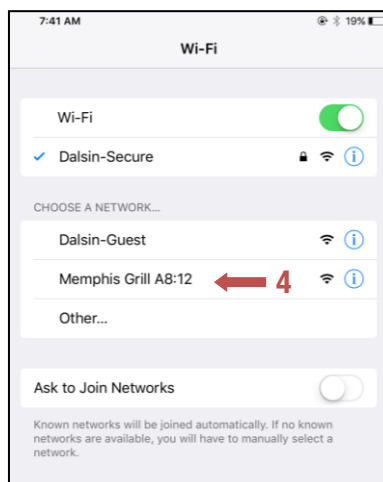
ON YOUR GRILL CONTROLLER:

- 1) A Wi-Fi connection can be set up in minutes on your Memphis Wood Fire Grill. First power the grill on pressing the top left button on the controller, and from the home screen press the “MENU” button, then the “DOWN ARROW”, then the “WIFI” button.
- 2) The “WIFI” screen on your grill contains everything needed to connect your grill to a Wi-Fi network. First, you will notice that Wi-Fi is off, this is enabled by default for users not wishing to use Wi-Fi. To turn Wi-Fi on, simply press the button “TURN ON WIFI”.
- 3) Next, press and hold “SETUP” and the grill will start searching for all nearby Wi-Fi networks. Once the status field displays “CONNECTING” the grill is ready to be connected to your network via any Wi-Fi compatible device.



ON YOUR PHONE OR TABLET: (UNDER WIFI SETTINGS)

- 4) Simply go to available Wi-Fi networks on your phone or tablet and select the network “Memphis Grill xx:xx” **NOTE: The xx:xx characters will be your own unique combination of letters and numbers, and will match the last 4 digits shown on the grill controller next to MAC.**
- 5) Once selected, the network will automatically bring you to a page where all Wi-Fi networks that the grill can connect to can be displayed. Find all connectable networks by hitting search, then once displayed you can click on the network desired and it will auto populate the “SSID” with your selection. If the network does not require a password, leave the password field blank.
- 6) Click “CONNECT” and the page will automatically close.
- 7) The Wi-Fi setup is now complete. The status on the controller should now read “WIFI CONNECTED”. The time period from hitting “CONNECT” to “WIFI CONNECTED” can take up to 3 minutes based on connection strength.

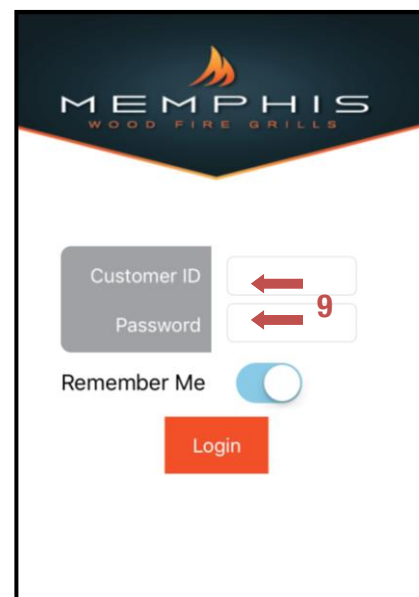
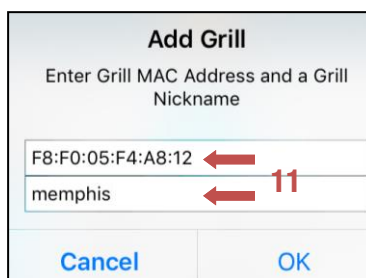


ON YOUR PHONE OR TABLET: (IN THE MEMPHIS GRILLS APP)

- 8) Download our app MEMPHIS GRILLS from the IOS App Store. (Search iPhone only)
- 9) Enter a valid email into the “CUSTOMER ID” field, and create a password that you will use to login to the app. After logging in, you will receive an email requiring you to confirm your email address before continuing.
- 10) Once the confirmation link is followed from your email, return to the app.

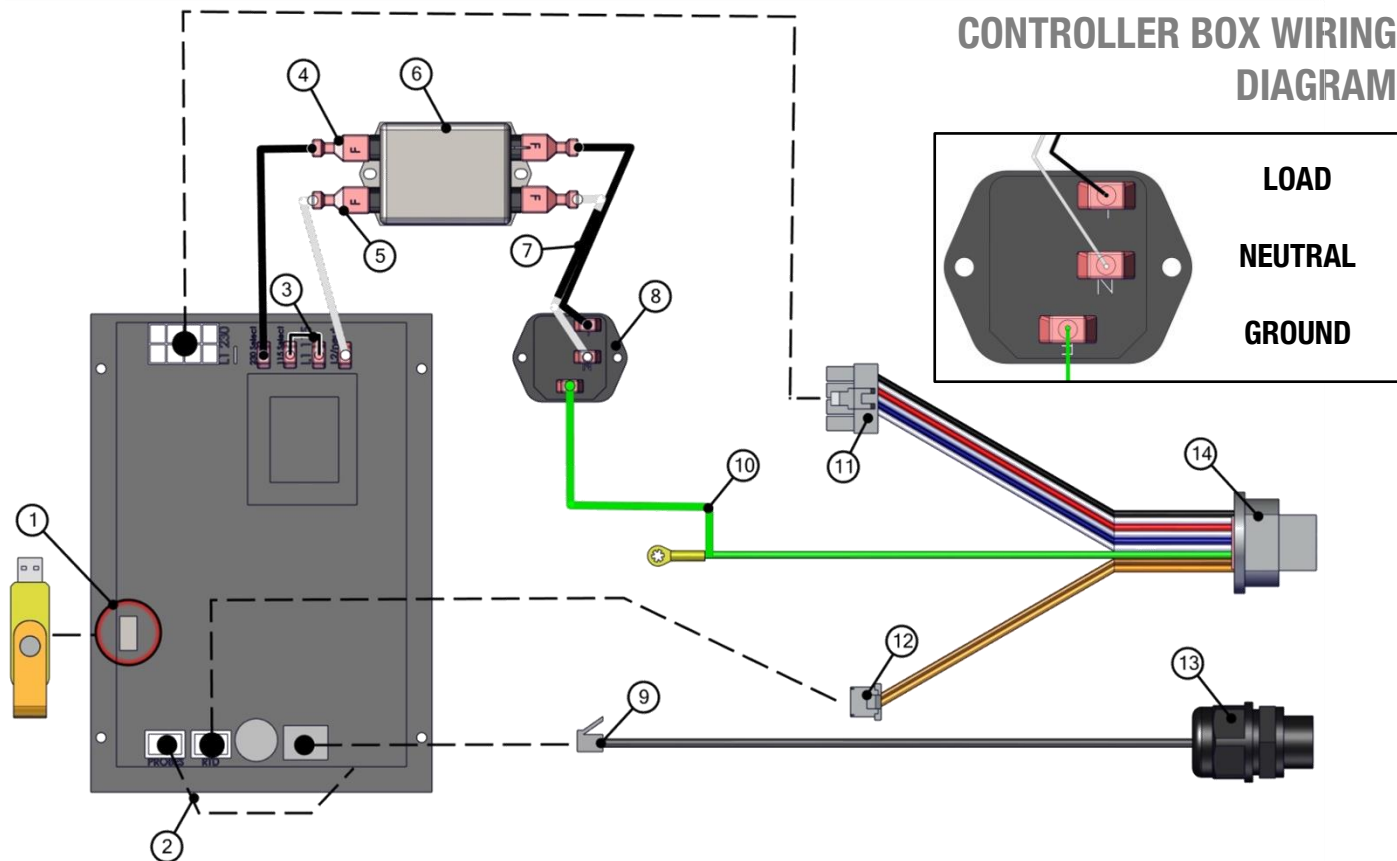
- 11) Once confirmed, you will be able to add your grill. Enter the exact MAC Address and Name shown on the grill controller.

Example: MAC: **F8:F0:05:F4:A8:12** NAME: **MEMPHIS**
 NOTE: THERE ARE ONLY NUMERICAL 0'S IN THE MAC ADDRESS, NO ALPHABETICAL 0'S. NICKNAME IS NOT CASE SENSITIVE. INCLUDE COLONS IN THE MAC ADDRESS AS SHOWN.





MEMPHIS PRO BUILT-IN CONTROLLER BOX WIRING DIAGRAM

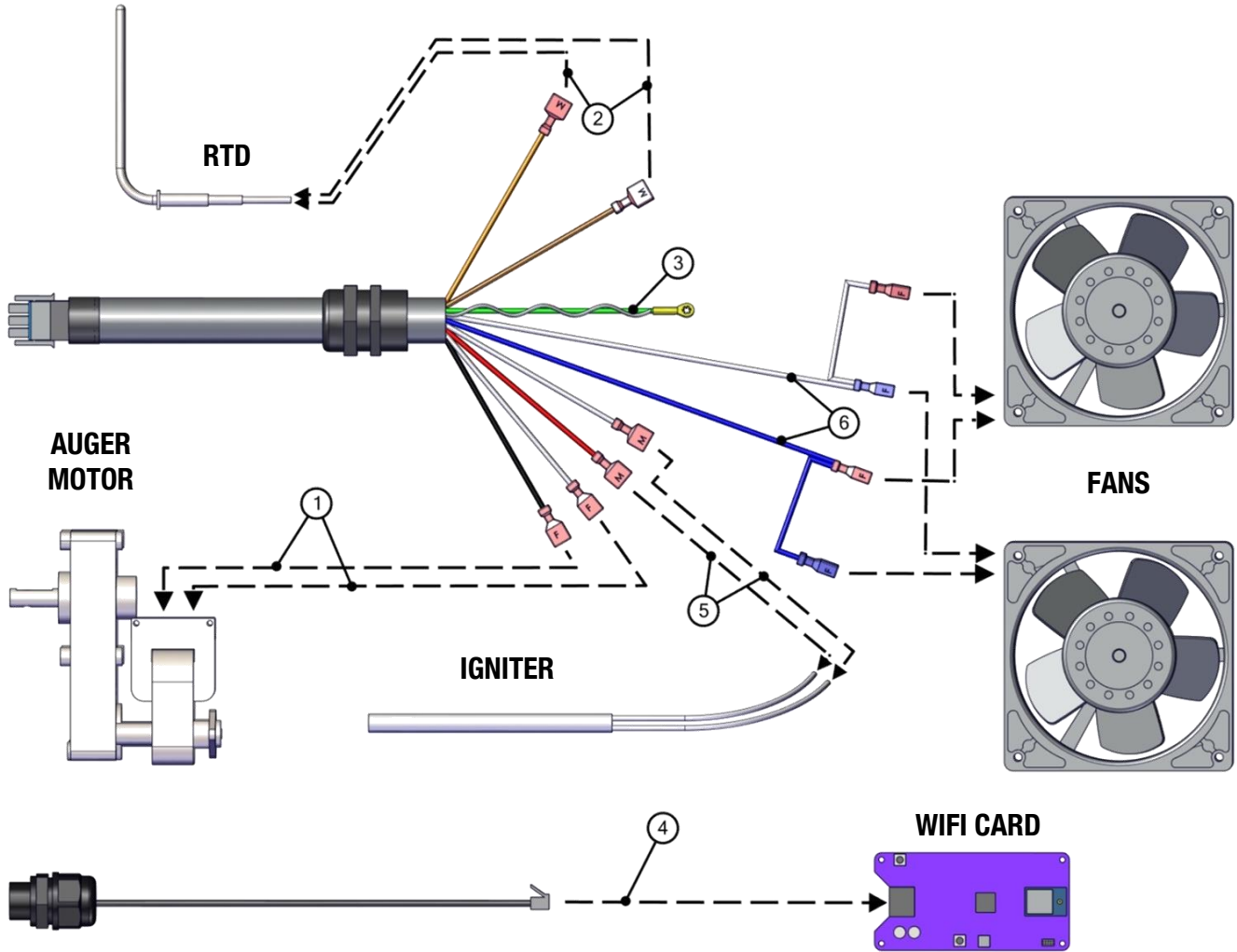


Item #	NAME	DESCRIPTION
1	USB Port	Used to update your grill, see the “Updating Controller Software” section of the main manual for information.
2	Meat Probe Wiring	This terminal is used to connect the meat probes to the controller.
3	120/240 Select Jumper	Used when changing the input voltage to the controller, see “120v to 240v Conversion” section of the main manual for information.
4	AC Load Wire from Filter to Controller	Carries AC voltage from the filter to the control board, load wire.
5	AC Neutral Wire from Filter to Controller	Carries AC voltage from the filter to the control board, neutral wire.
6	Filter	Reduces electrical feedback. Line = Outlet Side, Load = Grill Side. L1 = Load L2= Neutral
7	AC Neutral and Load from IEC to Filter	A two wire component which has a ferrite choke to eliminate input electrical disturbances from the grid. Load and Neutral wires.
8	IEC Plug	The same plug terminal used to attach your power cord to your grill. Top down view.
9	Ethernet Cable	Used to connect your grill controller to the Wi-Fi card in the back of the grill.
10	Grounding Wire	In the event your grill experiences a short, the grounding wire will send the voltage to the 3 rd prong of a standard AC outlet.
11	AC Component Wiring	This large plastic connector carries all voltage used for AC components in the grill. See “Component Wiring Diagram” for a description of all wires in this connector.
12	RTD Wiring (DC)	This small plastic connector carries DC voltage to the RTD.
13	Controller Box Ethernet Cable Gland	This gland is a weather tight pass-through for the Ethernet cable into the back of the controller box.
14	Controller Box Plug	This plug is a weather tight quick disconnect for the main wiring harness which carries all AC,DC, and Ground wires to the grill’s components.



NOTE: ALL TWO WIRE PAIRS FOR A SPECIFIC COMPONENT ARE REVERSABLE
Example: The auger motor wiring can have the either spade connector from its two wire pair attached to either terminal and the motor will function normally.

MEMPHIS PRO BUILT-IN COMPONENT WIRING DIAGRAM



Item #	NAME	Wire Identification	DESCRIPTION / INSTRUCTION
1	Auger Motor Wiring	1x Black Wire, 1x White Wire	Attach both spade connectors to their respective terminals on the top of the auger motor as indicated by the arrows shown above.
2	RTD Wiring	1x Orange Wire, 1x Brown Wire	Attach both spade connectors to the leads extending from the RTD as shown above.
3	Grounding Wire	Green Wire	The connection point for the ground is located directly below the auger motor on the vertical panel behind the auger motor.
4	Ethernet Cable	Black Cable with Ethernet End	Attach the Ethernet cable to the terminal on the Wi-Fi card as shown. Ensure that the wiring does not interfere with the auger motor's moving components.
5	Igniter Wiring	1x Red Wire, 1x White Wire	Attach both spade connectors to the leads extending from the igniter. These leads will extend from the airbox and can be located in between the two fans.
6	Fan Wiring	1x Blue Wire w/ 2 spade ends, 1x White Wire w/ 2 spade ends	Attach BOTH blue spade connectors to 1 fan and then attach the red spade connectors to the other fan.