

Dreame L40s Ultra

Robot Vacuum and Mop with
Auto-Empty and Mop Self-Cleaning
User Manual

DREAME

The illustrations in this manual are for reference only. Please refer to the actual product.

Contents

EN	User Manual	01
TR	Kullanıcı Kılavuzu	33
VI	Hướng Dẫn Sử Dụng	65
TH	คู่มือการใช้งาน	97
ID	Panduan Pengguna	129

Safety Information

To avoid electric shock, fire or injury caused by improper use of the appliance, please read the user manual carefully before using the appliance and keep it for future reference.

Usage Restrictions

- This product should not be used by children younger than 8 years old nor persons with physical, sensory, intellectual deficiencies, or limited experience or knowledge without the supervision of a parent or guardian to ensure safe operation and to avoid any risks. Cleaning and maintenance shall not be performed by children without supervision.
- The appliance is only to be used with the power supply unit provided with the appliance.
- This appliance contains batteries that are only replaceable by skilled persons.
- Clear the area to be cleaned. Children shall not play with the appliance. Ensure children and pets are kept at a safe distance from the robot while it is operating.
- Do not install, charge or use the appliance in the bathrooms or around the pools.
- This product is for floor cleaning in a home environment only. Do not use it outdoors, on non-floor surfaces, or in a commercial or industrial setting.
- Ensure that the appliance operates correctly in a proper environment. Otherwise, do not use the appliance.
- If the power cord is damaged, it must be replaced by a special cord or assembly available from the manufacturer or its service agent.
- Do not use the robot in an area suspended above ground level without a protective barrier.

Safety Information

Usage Restrictions

- Do not place the robot upside down. Do not use the LDS cover, robot cover, or bumper as a handle for the robot.
- Use the robot in environments with an ambient temperature above 0°C and below 40°C. Make sure there is no liquid or sticky substance on the floor.
- To prevent damage or harm from dragging, clear any loose objects from the floor, and remove cables or power cords on the cleaning path before operating the appliance.
- Remove fragile or small items from the floor to prevent the robot from bumping into and damaging them.
- Keep hair, fingers, and other body parts away from the suction opening of the robot.
- Keep the cleaning tool out of reach of children.
- Do not operate the appliance in a room where an infant or child is sleeping.
- Do not place children, pets, or any item on top of the robot regardless of whether it is stationary or moving.
- Only clean water and the officially-approved cleaning solution can be added to the clean water tank. Do not add any other liquid such as alcohol or disinfectant. The ratio of the cleaning solution to clean water can be checked on the cleaning solution bottle. Keep the cleaning solution out of reach of children.
- Do not use the robot to clean any burning objects. Do not use the robot to pick up flammable or combustible liquids, corrosive gases, or undiluted acids or solvents.

Safety Information

Usage Restrictions

- Do not vacuum hard or sharp objects. Do not use the appliance to pick up objects such as stones, large pieces of paper or any item that may clog the appliance.
- Plug must be removed from the socket-outlet before cleaning or maintaining the appliance.
- Do not wipe the robot or the base station with a wet cloth or rinse them with any liquid. After cleaning washable parts, fully dry the parts before reinstalling and using them.
- Please use this product in accordance with the instructions in the User Manual. Users are responsible for any loss or damage that arise from improper use of this product.

Batteries and Charging

- Do not use any third-party battery or base station. The robot can only be used with the model RCLE0305 base station.
- Do not attempt to disassemble, repair, or modify the battery or the base station on your own.
- Do not place the base station near a heat source.
- Do not use a wet cloth or wet hands to wipe or clean the base station's charging contacts.
- Do not improperly dispose of old batteries. Unneeded batteries should be discarded at an appropriate recycling facility.
- If the power cord becomes damaged or broken, stop using it immediately and contact after-sales service.

Safety Information

Batteries and Charging

- Make sure the robot is turned off when being transported and kept in its original packaging if possible.
- If the robot will not be used for an extended period of time, fully charge it, then turn it off and store it in a cool, dry place. Recharge the robot at least once every 3 months to avoid over-discharging the battery.

Laser Safety Information

- The laser sensor in this product meets the IEC 60825-1:2014/EN 60825-1:2014/A11:2021 Standard for Class 1 laser products. Please avoid direct eye contact with it during use.

CLASS 1 LASER PRODUCT

CONSUMER LASER PRODUCT

EN 50689:2021



For indoor use only

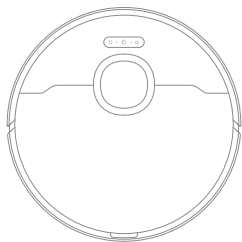


Read operator's manual

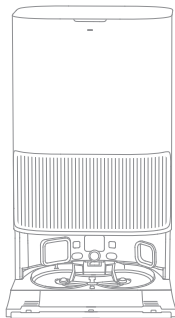
Hereby, Dreame Trading (Tianjin) Co., Ltd. declares that the radio equipment type RLL22SE is in compliance with Directive 2014/53/EU. The full text of the EU declaration of conformity is available at the following internet address: <https://global.dreametech.com>
For detailed e-manual, please go to <https://global.dreametech.com/pages/user-manuals-and-faqs>

Product Overview

Package Contents

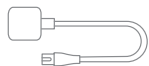


Robot



Base Station

Other Accessories



Power Cord



Base Station Ramp
Extension Plate



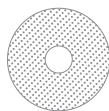
User Manual



Auto-Detergent
Compartment
(pre-installed)



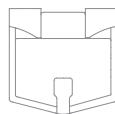
Dust Bag × 2
(1 pre-installed)



Mop Pad × 2
(pre-installed)



Mop Pad
Holder × 2



Washboard Filter
(pre-installed)



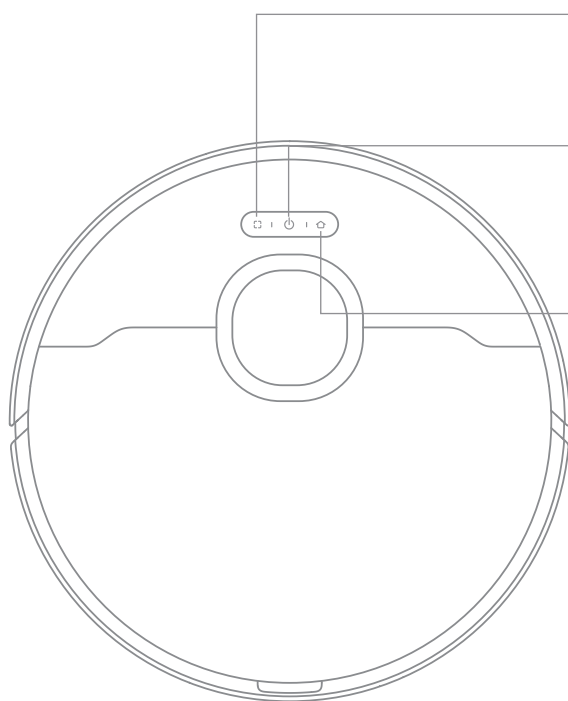
Cleaning Solution



Cleaning Tool

Product Overview

Robot



Spot Cleaning Button

- Press to start spot cleaning

Power / Clean Button

- Press and hold for 3 seconds to turn on or off
- Press to start cleaning after the robot is turned on

Dock Button

- Press to send the robot back to the base station
- Press and hold for 3 seconds to disable Child Lock

Status Indicator

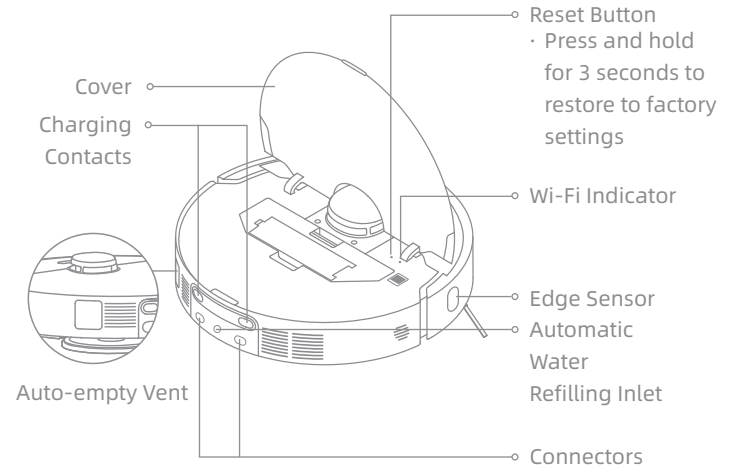
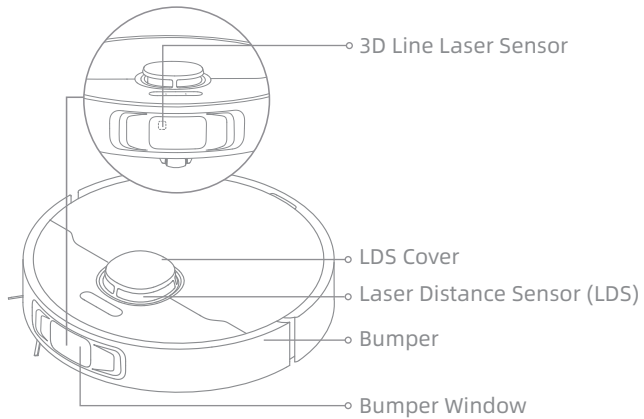
- Solid White: Cleaning or cleanup completed
- Breathing White: Charging (not low battery)
- Solid Orange: Awaiting at low battery or paused at low battery
- Breathing Orange: Charging (low battery)
- Blinking Orange: Error

Note:

- Press any button on the robot to pause while the robot is cleaning or returning to charge.
- Child Lock can be enabled/disabled through the Dreamehome App.

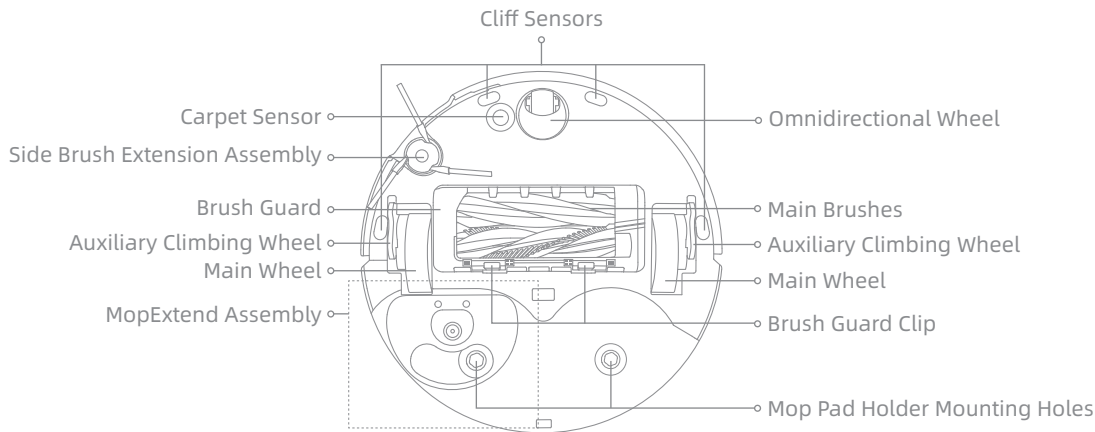
Product Overview

Robot and Sensors

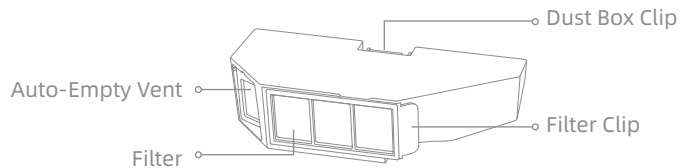


Product Overview

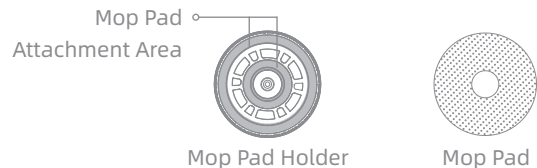
Robot and Sensors



Dust Box

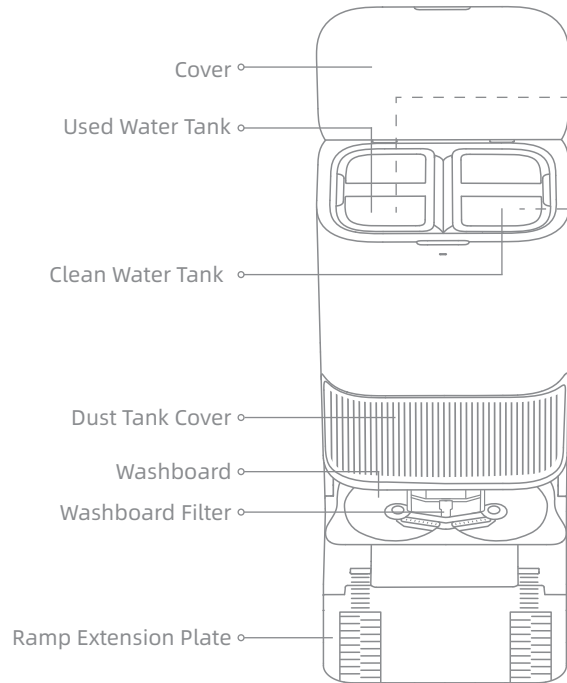


Mop Assembly

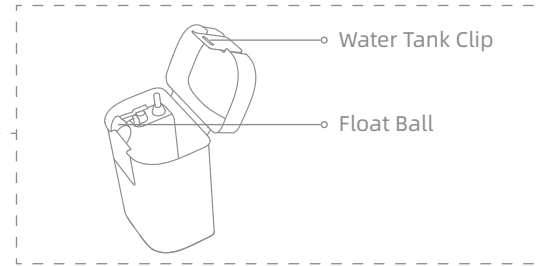


Product Overview

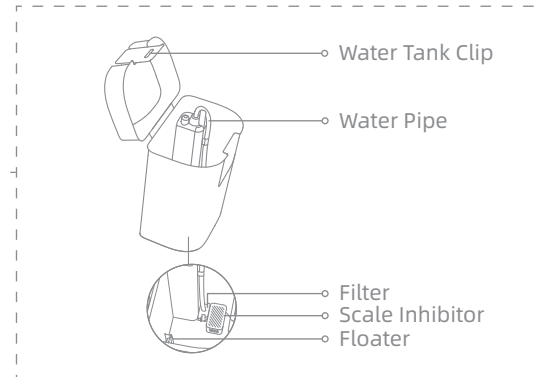
Base Station



Used Water Tank

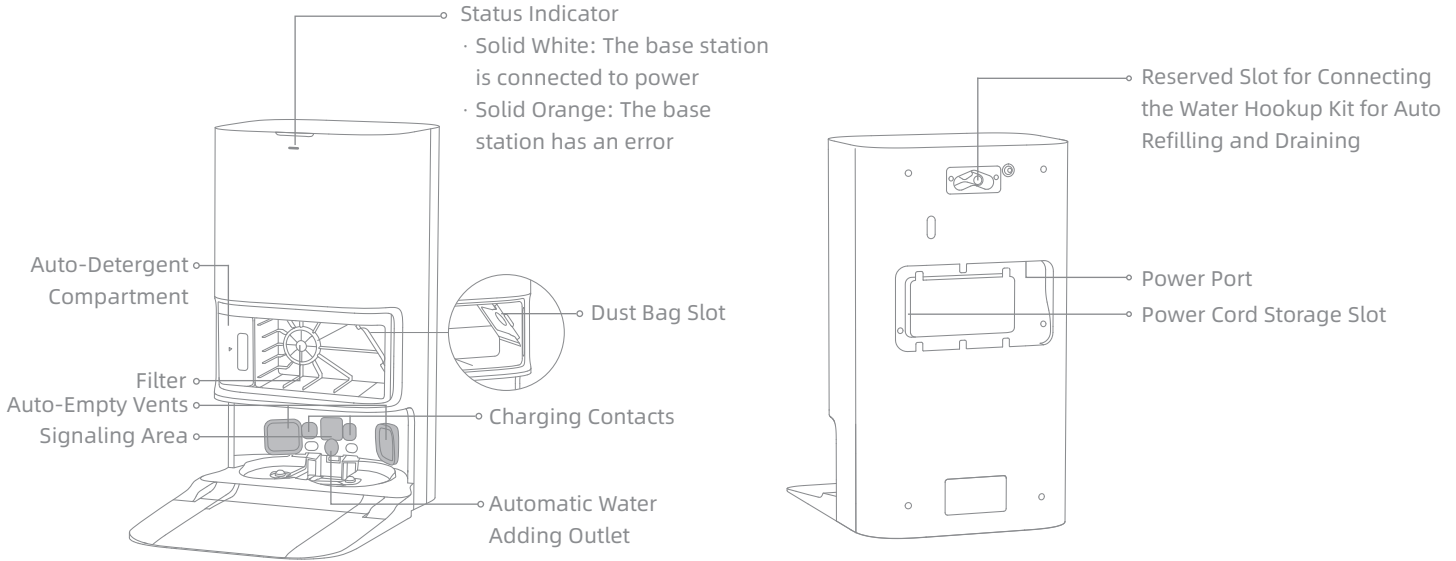


Clean Water Tank



Product Overview

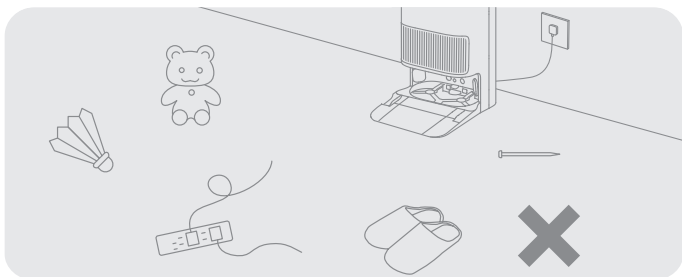
Base Station



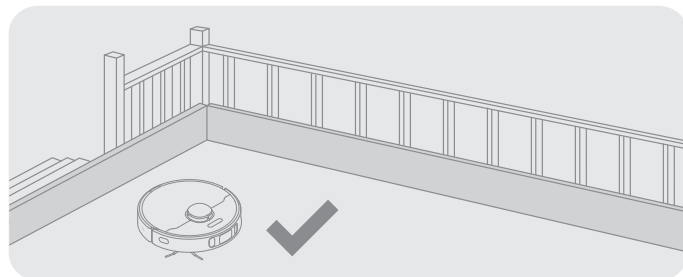
Note: The water hookup kit for auto refilling and draining needs to be purchased separately. (Only available in specific regions)



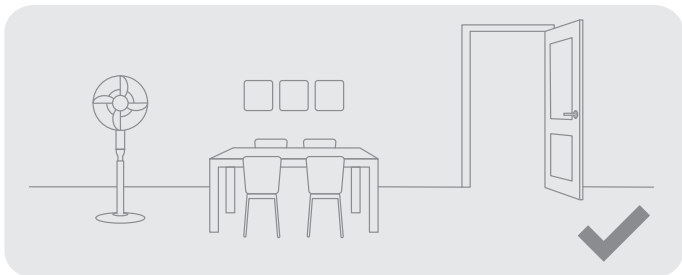
Preparing Your Home



Before cleaning, please move away unstable, fragile, valuable or dangerous items, and clean up cables, cloths, toys, hard objects and sharp objects on the ground to avoid being entangled, scratched or knocked over by the robot and causing losses.



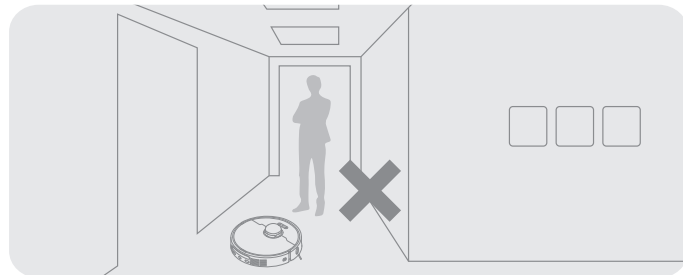
Before cleaning, place a physical barrier at the edge of the stairs to ensure the secure and smooth operations of the robot.



Open the door of the room to be cleaned, and put the furniture in its proper place to leave more space.

Note:

- When operating the robot for the first time, follow it around while cleaning to remove any potential obstacles in time.
- Do not vacuum hard objects like stones, steel balls and toy parts, or sharp objects like construction waste, broken glass and nails, otherwise the ground may be scratched.

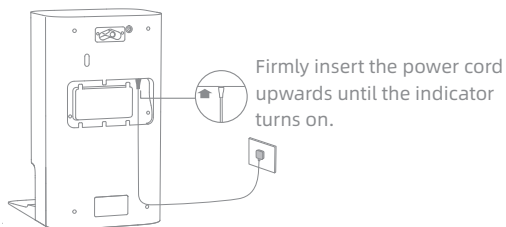
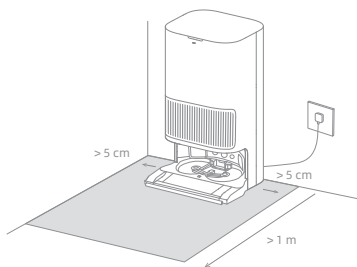


To prevent the robot from missing areas that need to be cleaned, do not stand in front of the robot, threshold, hallway, or narrow places.

Before Use

1. Place the Base Station and Connect to an Electrical Outlet

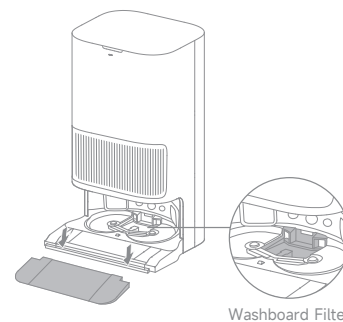
Place the base station in a location that is as open as possible with a good Wi-Fi signal. Leave enough space as shown in the figure and remove any objects in the shaded area. Insert the power cord into the base station and plug it into the socket.



Note:

- Make sure that no objects might block the signaling area.
- To prevent water stains from wetting wood floors or carpets, placing the base station on tile floors or marble floors is recommended.

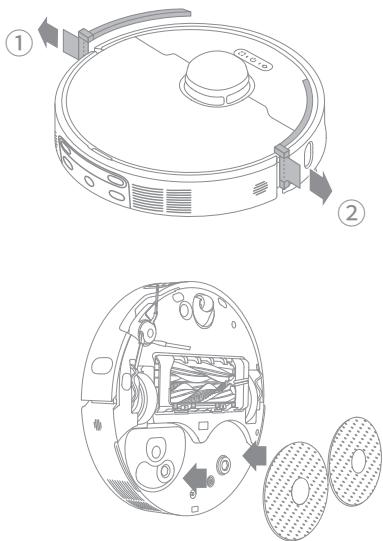
2. Install the Ramp Extension Plate



Note: Ensure the washboard filter is installed into place.

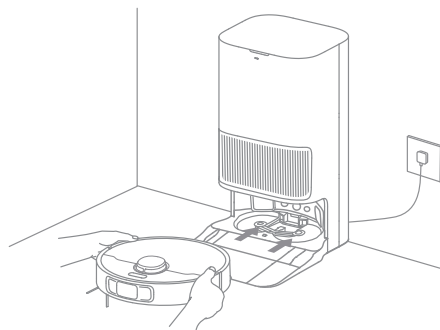
Before Use

3. Remove Robot Protections and Install the Mop Assembly



4. Connect the Robot to the Base Station

Press and hold the power button on the robot for 3 seconds to turn it on. Place the robot onto the base station with the mop assembly facing toward the washboard. Then you will hear a voice notification when the robot successfully connects to the base station. After the robot is fully charged, the status indicators on the robot and the base station will remain lit for 10 minutes and then dim.



Note: It is recommended to fully charge the robot before its first use. When the robot cannot be turned on after the battery is depleted, manually connect the robot with the station to charge it.

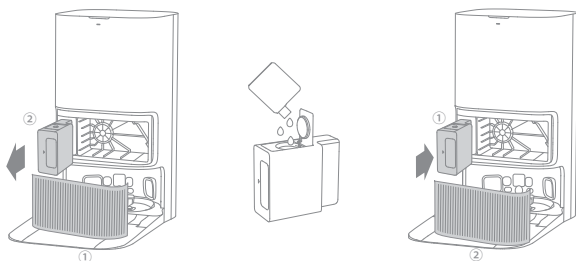
Before Use

5. Add the Cleaning Solution

(1) Remove the dust tank cover and pull out the auto-detergent compartment.

(2) Open the upper lid of the compartment and add the cleaning solution.

(3) Close the lid of the compartment, put it back into the base station, and then reinstall the dust tank cover. The cleaning solution will be added automatically while working.

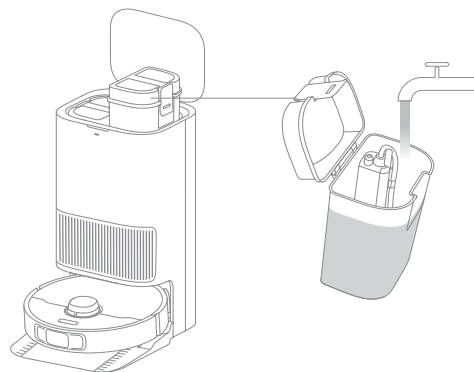


Note:

- The auto-detergent compartment can be filled up with cleaning solution for use. Do not add any liquid other than the officially-approved cleaning solution to help prevent malfunction.
- Install the auto-detergent compartment until it clicks into place.

6. Add Water to the Clean Water Tank

Take out the clean water tank from the base station and fill up the tank with clean water. Then install it back into the base station.

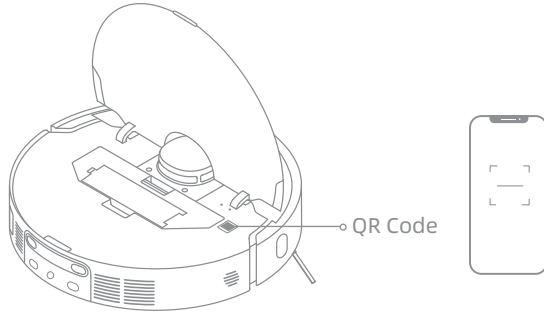


Note: Do not add hot water into the water tank, as this may cause the tank to become deformed.

EN Connecting with the Dreamehome App

1. Download the Dreamehome App

Scan the QR code on the robot, or search "Dreamehome" in the app store to download and install the app.

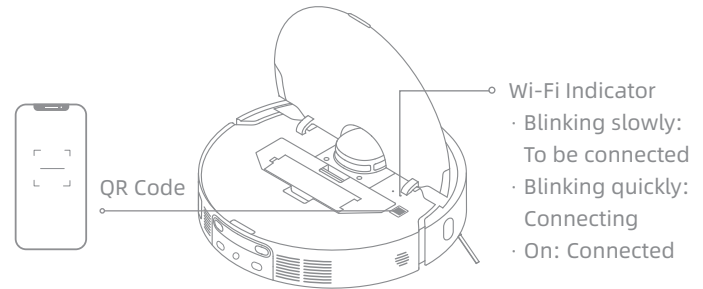


Note:

- Only 2.4 GHz Wi-Fi is supported.
- Due to upgrades in the app software, the actual operations may differ from the directions in this manual. Please follow the instructions based on the current app version.

2. Add Device

Open the Dreamehome app, tap "Scan QR code to connect", and scan the same QR code on the robot again to add the device. Please follow the prompts to finish the Wi-Fi connection.



Note:

- To reset Wi-Fi, repeat step 2 and then follow the prompts to finish the Wi-Fi connection.
- To disconnect the device from Wi-Fi network, press and hold the Reset button on the robot for 3 seconds.

How to Use

Turn On/Off

Press and hold the power button for 3 seconds to turn on the robot. The power indicator will remain lit. Or, place the robot onto the base station by aligning the charging contacts of the robot with those of the base station, and then the robot will turn on automatically and begin charging. To turn off the robot, move the robot away from the base station and press and hold the power button for 3 seconds.

Fast Mapping

After configuring the network for the first time, follow the instructions in the app to quickly create a map. The robot will start mapping without cleaning. When the robot returns to the base station, the mapping process has been completed and the map will be saved automatically.

Pause/Sleep

When the robot is running, press any button to pause it.

If the robot is paused for more than 10 minutes, it automatically enters sleep mode. All indicators on the robot will turn off. Press any button on the robot, or use the app to wake up the robot.

Note: If the robot is paused and placed onto the base station, the current cleaning process will end.

Auto Resume Cleaning

If the battery is too low, the robot will automatically return to the base station to charge. After charging to the appropriate battery level, it will resume unfinished cleaning tasks.

Note:To use this function, please enable it in the app.


Do Not Disturb (DND) Mode

When the robot is set to the Do Not Disturb (DND) mode, the robot will be prevented from resuming cleaning. The DND mode is disabled by default at the factory. You can use the app to enable the DND mode or modify the DND period. The DND period is 22:00-8:00 by default.

Note:

- The scheduled cleaning tasks will be performed as usual during the DND period.
- The robot will resume cleanup where it left off after the DND period expires.

Spot Cleaning

When the robot is awaiting, press briefly the button  to enable the spot cleaning mode. In this mode, the robot cleans a square-shaped area of 1.5 x 1.5 meters around it and returns to its starting point once the spot cleaning is completed.

Robot Restarting

If the robot stops responding or cannot be turned off, press and hold the power button for 10 seconds to forcefully turn it off. Then, press and hold the power button for 3 seconds to turn the robot on.

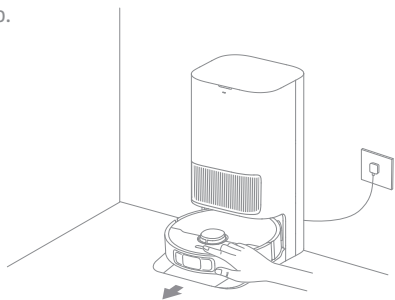
How to Use

Vacuum and Mop

Note: When using the mop assembly for the first time, the robot performs the "Vacuum and Mop" task by default.

1. Start cleaning

Press the power button on the robot, or use the app to make the robot start from the base station. Then the robot will plan the optimal cleaning route and perform the cleaning task based on the created map.

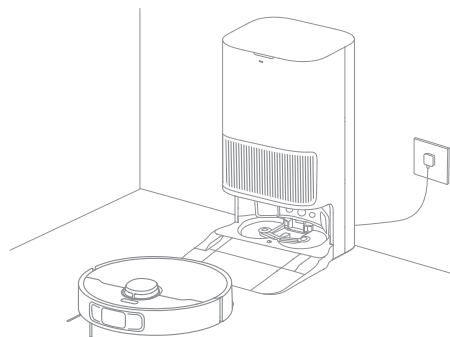


Note:

- To ensure the robot easily returns to the base station after cleaning, it is recommended to make the robot start from the base station.
- The mop pads will be cleaned before the robot starts mopping, please wait patiently.
- Do not move the base station, the clean water tank, the used water tank, or the washboard filter during operation.
- Hot water cleaning can be enabled in the app for mop pad cleaning, which applies to all modes. **To prevent scalding, do not touch the water outlet when the function is on.**

2. Auto mop washing

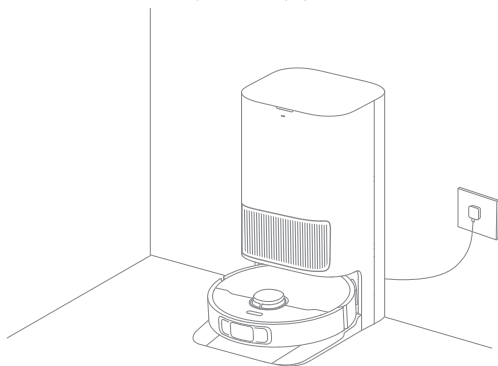
When cleaning, the robot will automatically return to the base station to wash mop pads based on the mop pad cleaning frequency specified in the app. The base station will automatically refill the robot's water tank and the robot will resume cleanup.



How to Use

3. Automatically empty the dust box and wash and dry the mop pads

After the robot finishes a cleaning task and returns to the base station to charge, the base station will automatically empty the dust box and then wash and dry the mop pads.



Note:

- If the auto-empty function is turned off in the app, the base station will not automatically empty the dust box.
- The base station will empty the dust box according to the setting in the app.

4. Clean the used water tank

After the robot has completed its task, please clean the used water tank to prevent any odor.

Mop after Vacuuming

Enable the mopping after vacuuming function in the app, and the robot will automatically remove the mop assembly on the base station to vacuum the floor. After vacuuming is completed, the robot will return to the base station to install the mop assembly and the base station will automatically empty the dust box. And then, the robot will start mopping after the side brush is raised.

Vacuum Only

Enable the vacuuming function in the app, and the robot will automatically remove the mop assembly on the base station and start vacuuming.

Mop Only

Enable the mopping function in the app, and the robot will automatically check if the mop assembly is installed on the base station. If not, the robot will install the mop assembly and start mopping after the side brush is raised.

Routine Maintenance

Parts

To keep the robot in good condition, it is recommended to refer to the accessory usage in the app or the following table for routine maintenance.

Part	Maintenance Frequency	Replacement Period	
Used water tank	After each use	/	
Clean water tank	Once every 2 weeks		
Main brushes			Every 6 to 12 months
Dust box's filter			Every 3 to 6 months
Side brush			/
Mop pad holders			
Washboard filter		Once every 1 to 2 months	/
Base station's signaling area	Once every month		
Charging contacts			
Auto-empty vents			
Omnidirectional wheel			
Edge sensor			
Laser Distance Sensor (LDS)			
3D Line Laser Sensor			
Carpet sensor			
Cliff sensors			

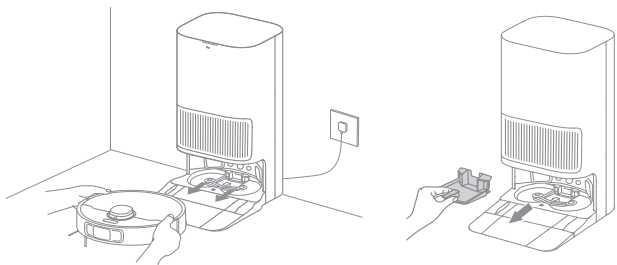
Part	Maintenance Frequency	Replacement Period
Bumper window	Once every month	/
Bumper		
Robot's automatic water refilling inlet		
Bottom of the robot		
Dust box		
Main wheels		
Auxiliary climbing wheels		
Dust bag	/	Every 2 to 4 months
Mop pads		Every 1 to 3 months
Scale inhibitor		Every 18 to 36 months

Note: The frequency of maintenance and replacement depends on actual usage. If an exception occurs due to special circumstances, prompt maintenance or replacement is recommended.

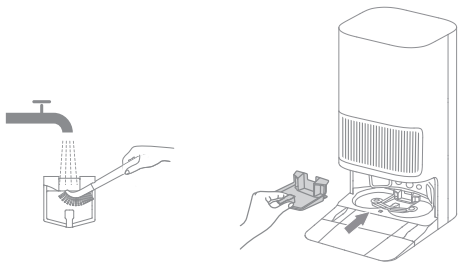
Routine Maintenance

Washboard Filter

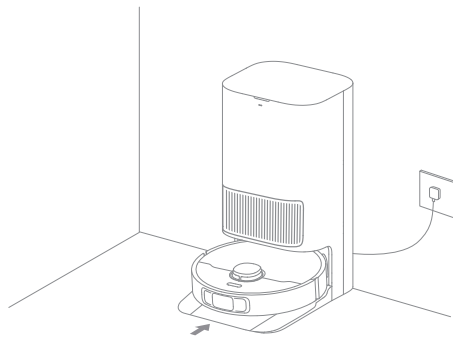
1. Take out the robot and remove the washboard filter after the mop pad cleaning is complete.



2. Rinse the washboard filter with clean water, wipe it clean, and then reinstall it in the washboard.



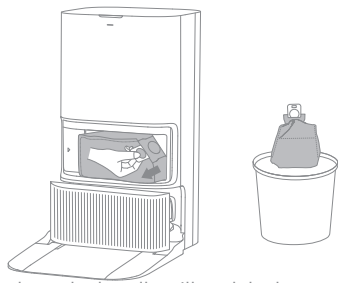
3. Use the app or press the button  to return the robot to the base station, or manually put the robot back.



Routine Maintenance

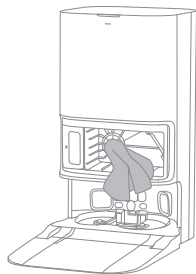
Dust Bag

1. Remove the dust tank cover and discard the dust bag.

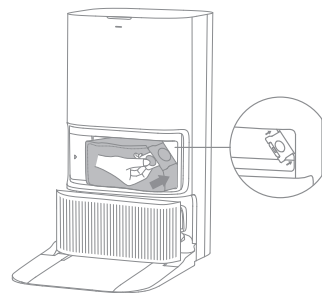


Note: Pulling upwards on the handle will seal the bag to prevent the dust and debris from accidentally falling out.

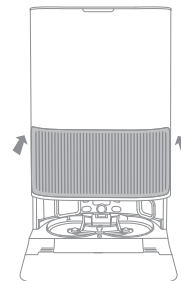
2. Remove the dust and debris from the filter with a dry cloth.



3. Install a new dust bag.



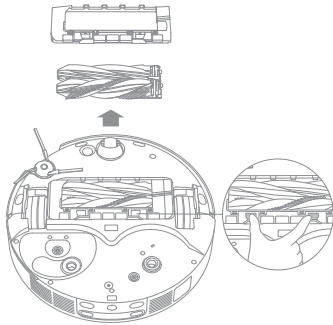
4. Reinstall the dust tank cover.



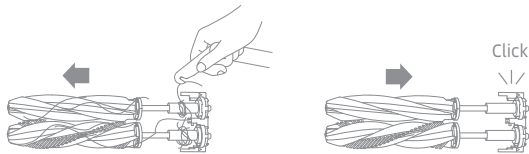
Routine Maintenance

Main Brushes

1. Press the brush guard clips inwards to remove the brush guard, and then lift the brushes out of the robot.

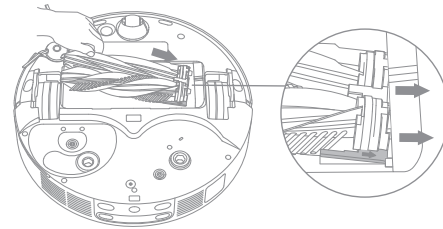


2. Pull out the brushes as shown in the figure. Use the provided cleaning tool to remove any hair tangled in the brushes. After cleaning, push the brushes firmly into the main brush holder until they click into place.

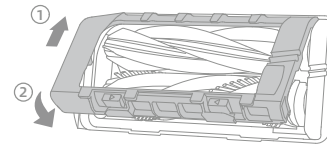


Note: Be careful while pulling out the main brushes to prevent injury.

3. With the screen-printed arrows facing upwards, insert the main brush holder into the slots downwards in an inclined way.



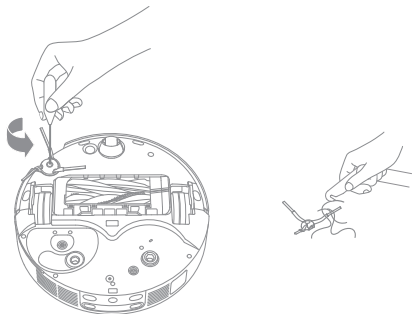
4. Align the front end of the brush guard with the slot, insert it downwards in an inclined way, and then press it into place.



Routine Maintenance

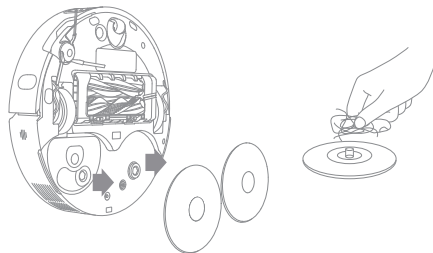
Side Brush

Unscrew the side brush with a screwdriver, clean the hair from the brush, and then screw it back on.

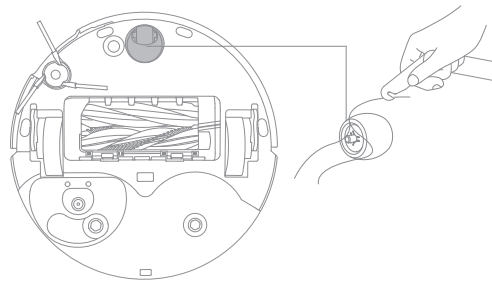


Mop Pad Holders

Remove and clean the mop pad holders.



Omnidirectional Wheel



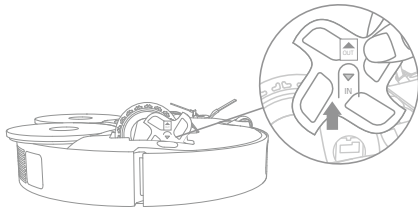
Note:

- Use a tool such as a small screwdriver to separate the axle and tire of the omnidirectional wheel. Do not use excessive force.
- Rinse the omnidirectional wheel under the running water and put it back after drying it completely.

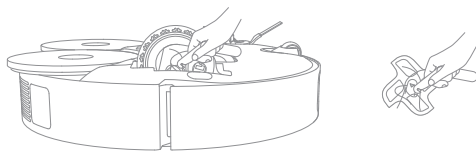
Routine Maintenance

Auxiliary Climbing Wheels and Main Wheels

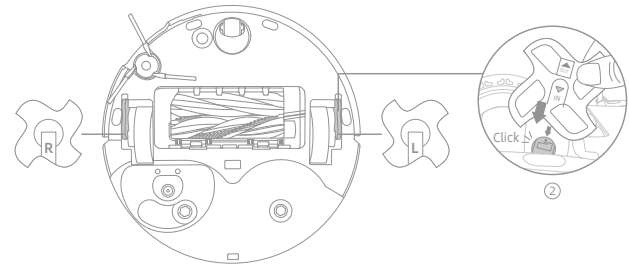
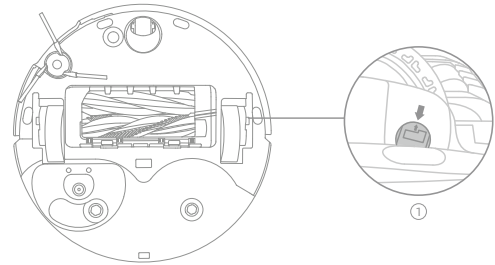
1. Rotate the auxiliary climbing wheel until the "OUT" arrow is facing upward, and then pull out the wheel.



2. Use a proper tool to clean the hair tangled in the main wheel and auxiliary climbing wheel.



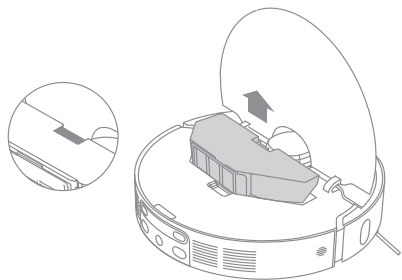
3. After cleaning, rotate the main wheel to align the two arrows (see Figure ①). Then, with the "IN" arrow facing downward, insert the left and right auxiliary climbing wheels accordingly until they click into place. (see Figure ②).



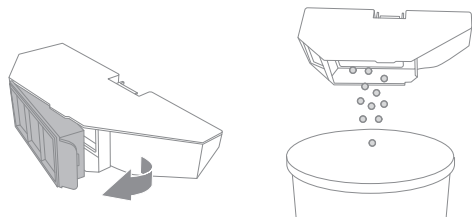
Routine Maintenance

Dust Box and Filter

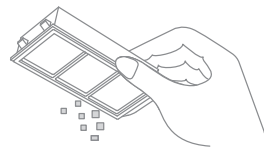
1. Open the robot cover and press the dust box clip to remove the dust box.



2. Remove the dust box filter, and then empty the dust box.

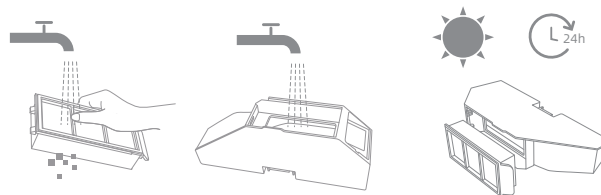


3. Gently tap the basket of the filter to remove the dirt.



Note: Do not attempt to clean the filter with a brush, a finger or sharp objects to prevent damage.

4. Rinse the dust box and filter with water and dry them completely before reinstalling.



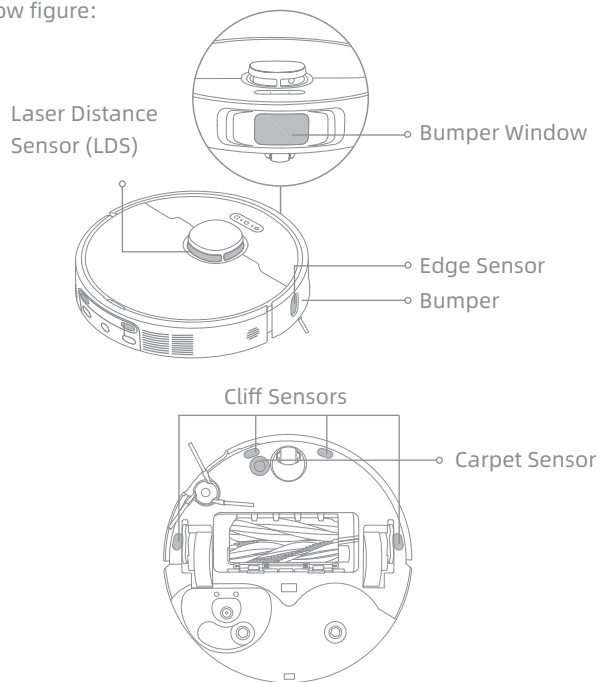
Note:

- Rinse the dust box and filter with clean water only. Do not use any detergent.
- Use the dust box and filter only when they are completely dry.

Routine Maintenance

Robot Sensors

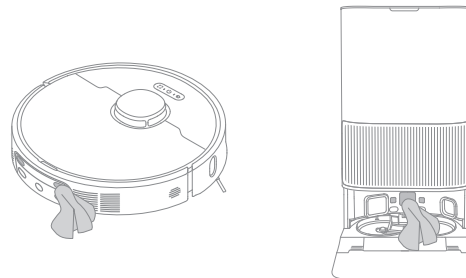
Wipe the robot sensors by using a soft and dry cloth, as shown in the below figure:



Note: A wet cloth can damage sensitive elements within the robot and the base station. Please use a dry cloth for cleaning.

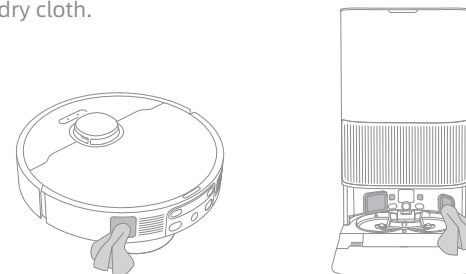
Charging Contacts and Signaling Area

Clean the charging contacts and the signaling area with a soft and dry cloth.



Auto-Empty Vents

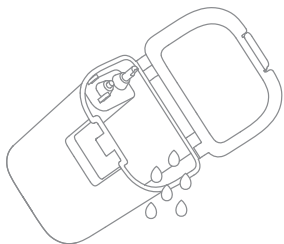
Clean the auto-empty vents of the robot and the base station with a soft and dry cloth.



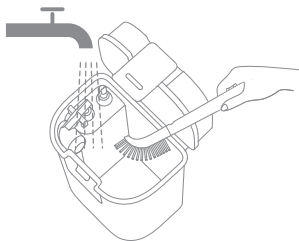
Routine Maintenance

Used Water Tank

1. Remove the used water tank, open its cover and pour out the used water.



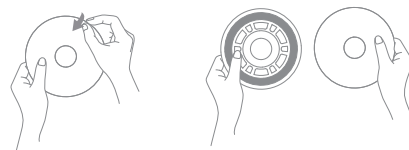
2. Rinse the used water tank with clean water, and use the provided cleaning tool to clean the inner wall of the used water tank.



Note: The float ball in the used water tank is a movable part. Do not apply too much force when cleaning it to avoid damaging it.

Mop Pads

Remove the mop pads from the mop pad holders to replace them.



Battery

The robot contains a high-performance lithium-ion battery pack. Make sure that the battery remains well-charged for daily use to maintain optimal battery performance. If the robot is not used for an extended period of time, turn it off and put it away. To prevent damage from over-discharging, charge the robot at least once every three months.

Troubleshooting


Problem	Solution
The robot will not turn on.	The battery is low. Recharge the robot on the base and try again. The temperature of the battery is too low or too high. It is recommended to operate the appliance at a temperature between 0°C (32°F) and 40°C (104°F).
The robot will not charge.	The base station is not connected to power, please make sure both ends of its power cord are correctly plugged in. The contact between the charging contacts on the base station and the robot is poor, please clean the charging contacts. Check whether there is any foreign object at the connectors of the robot and remove the foreign object if any.
The robot fails to connect to Wi-Fi.	The Wi-Fi network password is incorrect. Make sure the password used to connect to your Wi-Fi network is correct. The robot does not support a 5 GHz Wi-Fi connection. Make sure the robot is connected to a 2.4 GHz Wi-Fi connection. The Wi-Fi signal is weak. Make sure the robot is in an area with good Wi-Fi coverage. The robot may not be ready to be configured. Please exit and re-enter the app, and then try again as instructed.
The robot cannot find and return to the base station.	The base station is disconnected from power or moved when the robot is not on it. Please connect the base station to the power supply or place the robot onto the base station to charge. There are too many obstructions around the base station. Place the base station in a more open area. Moving the robot may cause it to re-position itself, and it will recreate a map if re-positioning fails. If the robot is too far from the base station, it might not be able to automatically return on its own, in which case you will need to manually place the robot onto the base station. Wipe the signaling area on the base station to remove dust or debris.



Troubleshooting

Problem	Solution
The robot gets stuck in front of the base station and cannot return to it.	<p>Check whether there is enough space on both sides or in front of the base station to prevent the robot from being blocked.</p> <p>The route for returning to charge is blocked, e.g. the door is closed.</p> <p>The robot may slip if the floor in front of the base station is overly wet. If so, clean the excess water before trying again.</p> <p>It is recommended to move the base station to a different place and try again.</p> <p>Make sure the ramp extension plate is installed properly.</p>
The robot will not turn off.	<p>The robot cannot be turned off when it is charging. It is recommended to move the robot from the base station, and then press and hold the power button for 3 seconds to turn it off.</p> <p>If the robot cannot be turned off by performing step 1, press and hold the power button for 10 seconds to forcibly turn off the robot. If the problem persists, please contact after-sales service.</p>
The charging speed is slow.	<p>It takes about 3.5 hours to fully charge the robot when its battery is low.</p> <p>If you operate the robot at temperatures outside of the specified range, the charging speed will automatically slow down to extend the battery life.</p> <p>The charging contacts on both the robot and the base station may be dirty, please wipe them with a dry cloth.</p>
The noise increases while the robot is operating.	<p>Check whether the dust box filter is clogged. If so, clean it or replace it.</p> <p>A hard object may be caught in the main brushes or the dust box. Check and remove any hard object.</p> <p>The main brushes or the side brush may become tangled. Check and remove any foreign objects.</p> <p>Switch the suction mode to Standard or Quiet.</p>
The robot moves without following the set route.	<p>Objects such as power cords and slippers should be organized before using the robot.</p> <p>Working on wet slippery surfaces causes the main wheel to slip. It is recommended to dry the wet places before using the robot.</p> <p>Wipe the bumper window on the robot with a clean, soft cloth to keep them clean and unobstructed.</p>

Troubleshooting

Problem	Solution
The robot misses the rooms to be cleaned.	Make sure that the doors of the rooms to be cleaned are open. The place in front of the room to be cleaned may be wet and slippery, causing the robot to slip and work abnormally. Please try drying the floor before using the robot.
The robot will not resume cleaning after charging.	Make sure that the robot is not set to the Do Not Disturb (DND) mode, which will prevent it from resuming cleaning. The robot will not resume cleaning after you manually place the robot on the base station or send the robot to charge via the app or the button  .
The station cannot automatically empty the dust box.	Check whether the dust bag in the dust tank is full. If the dust bag is not full, check whether there is any obstruction at the auto-empty vents of the robot, the base station, or the dust box. If any, clean the blocked part in time.
The water level in the washboard is abnormal.	Check whether the seal on the used water tank is loose or not correctly installed, and manually reset it if so. If the problem persists, please contact the after-sales service team. Gently press down on the used water tank to make sure it is installed correctly. Remove the washboard filter and check whether the sewage drain outlet is blocked and clean it. Check the cleaning solution. Do not add any liquid other than the officially-approved cleaning solution.
The mop pad holder is raised abnormally.	Please remove the mop pad holder to check if there is any foreign object stuck in it, and try to restart the robot. If the problem persists, please contact the after-sales service team.
There is water under the clean water tank or around the seal.	When taking out the clean water tank, some water in the pipe may be left under the tank or around the seal. This is normal. Please wipe with a dry cloth.

For more support, contact us via <https://global.dreametech.com>

Specifications

Robot

Model	RLL22SE
Charging Time	Approx. 3.5 hours
Rated Voltage	14.4 V $\overline{=}$
Rated Power	75 W
Operation Frequency	2400-2483.5 MHz
Maximum Output Power	< 20 dBm

Under normal use of condition, this equipment should be kept a separation distance of at least 20 cm between the antenna and the body of the user.

Base Station/Charging Dock

Power consumption in standby mode: $\leq 0.5W$ (within 15 minutes after the robot leaves the base station/charging dock)

Robot&Base Station/Charging Dock

The equipment does not have a standby mode or other equivalent states in terms of standby requirements, power management function, or the ability to deactivate wireless network connections due to battery maintenance needs. The power consumption of the equipment is likely to be higher than other equipment models meeting these functional requirements.

Base Station

Model	RCLE0305
Rated Input	220-240 V ~ 50-60 Hz
Rated Output	20 V $\overline{=}$ 2 A
Rated Power (during dust emptying)	700 W
Rated Power (during hot water cleaning)	1160 W
Rated Power (during charging and drying)	87 W

Note:

- Rated Power (during hot water cleaning) is determined by the power value during the representative period (water temperature 25°C).
- Rated Power (during charging and drying) is determined by the power value during full load period.

Rechargeable Lithium-ion Battery Pack

Model	R2412-4S2P-MMBK/R2412-4S2P-KLYEV
Nominal Voltage	14.4 V $\overline{=}$
Rated Capacity	4.8Ah
Typical Capacity	5.2Ah 74.88Wh

Battery Disposal and Removal

The built-in lithium-ion battery contains substances that are hazardous to the environment. Before disposing of the battery, make sure the battery is removed by qualified technicians and discarded at an appropriate recycling facility.

- the battery must be removed from the appliance before it is scrapped;
- the appliance must be disconnected from the supply mains when removing the battery;
- the battery is to be disposed of safely.

CAUTION:

Before removing the battery, disconnect the power and run out the battery as much as possible.

Unneeded batteries should be discarded at an appropriate recycling facility.

Do not expose to high temperature environment to avoid risks of explosion.

Under abusive conditions, liquid may be ejected from the battery. If contact occurs, flush with water and seek medical help.

Removal Guide:

1. Turn over the robot, use a proper tool to remove the screws on the back of the robot, and then remove the cover.
2. Unplug the terminals between the battery and PCB board to remove the battery.

WEEE Information



All products bearing this symbol are waste electrical and electronic equipment (WEEE as in directive 2012/19/EU) which should not be mixed with unsorted household waste. Instead, you should protect human health and the environment by handing over your waste equipment to a designated collection point for the recycling of waste electrical and electronic equipment, appointed by the government or local authorities. Correct disposal and recycling will help prevent potential negative consequences to the environment and human health. Please contact the installer or local authorities for more information about the location as well as terms and conditions of such collection points.

Güvenlik Bilgisi

Cihazın uygunsuz kullanımının yol açtığı elektrik çarpması, yangın veya yaralanmadan kaçınmak için cihazı kullanmadan önce kullanım kılavuzunu dikkatlice okuyun ve ileride başvurmak üzere saklayın.

Kullanım Sınırlamaları

- Bu ürün, güvenli kullanımı sağlamak ve risklerden kaçınmak üzere, 8 yaşından küçük çocuklar ve fiziksel, duyuşsal, zihinsel engelli kişiler veya sınırlı deneyime veya bilgiye sahip kişiler tarafından bir ebeveyn veya vasiinin gözetimi olmadan kullanılmamalıdır. Temizlik ve bakım, gözetim olmaksızın çocuklar tarafından yapılmamalıdır.
- Cihaz, yalnızca cihazla birlikte verilen güç kaynağı ünitesi ile kullanılmalıdır.
- Bu cihaz, yalnızca yetkin kişiler tarafından değiştirilebilecek piller içerir.
- Temizlenecek alanı toplayın. Çocuklar cihazla oynamamalıdır. Robot çalışırken çocukların ve evcil hayvanların robotla aralarında güvenli bir mesafe bulunduğundan emin olun.
- Cihazı banyoya veya havuz etrafına kurmayın, buralarda şarj etmeyin veya kullanmayın.
- Bu ürün yalnızca ev ortamındaki zemin temizliği içindir. Dış mekânlarda, zemin harici yüzeylerde veya ticari ya da endüstriyel ortamlarda kullanmayın.
- Cihazın düzgün bir ortamda doğru bir şekilde çalıştığından emin olun. Aksi halde, cihazı kullanmayın.
- Güç kablosu hasar gördüğü takdirde, üreticiden veya yetkili servisten temin edilebilecek özel bir kablo veya teçhizatla değiştirilmelidir.
- Robotu, koruyucu bariyeri olmayan zemin üzeri asma alanlarda kullanmayın.

Güvenlik Bilgisi

Kullanım Sınırlamaları

- Robotu baş aşağı çevirip koymayın. LMS kapağını, robot kapağını veya tamponu robot tutup taşımak için kullanmayın.
- Robotu, ortam sıcaklığının 0°C'nin üzerinde ve 40°C'nin altında olduğu ortamlarda kullanın. Zeminde sıvı veya yapışkan madde olmadığından emin olun.
- Bir nesneye takılıp sürüklenmenin verebileceği zarardan kaçınmak için cihazı çalıştırmadan önce bir yere sabit olmayan nesnelere yerden kaldırmak ve temizlik güzergahı üzerindeki kabloları veya elektrik kablolarını toplayın.
- Robotun çarparak zarar vermesini önlemek için kırılabilir ve küçük nesnelere yerden kaldırın.
- Saç, parmak ve diğer vücut bölgelerini robotun emici ağzından uzak tutun.
- Temizlik gerecini çocukların erişemeyeceği bir yerde saklayın.
- Cihazı bir bebeğin ya da çocuğun uyuduğu bir ortamda çalıştırmayın.
- Gerek durduğu, gerek hareket ettiği sırada çocukları, evcil hayvanları ve diğer nesnelere robotun üzerine bindirmeyin/koymayın.
- Temiz su haznesine yalnızca su ve resmi olarak onaylanmış temizlik solüsyonu eklenebilir. Alkol veya dezenfektan gibi başka sıvılar eklemeyin. Temizlik solüsyonu ile temiz su oranına temizlik solüsyonu şişesi üzerinden bakılabilir. Temizlik solüsyonunu çocukların erişemeyeceği bir yerde saklayın.
- Robotu yanan nesnelere temizlemek için kullanmayın. Robotu yanıcı veya kolay tutuşabilen sıvıları, aşındırıcı gazları veya seyreltilmemiş asit ya da çözücü maddeleri toplamak için kullanmayın.

Güvenlik Bilgisi

Kullanım Sınırlamaları

- Sert veya keskin nesnelere süpürmeyin. Cihazı taş, büyük kâğıt parçaları veya cihazı tıkayabilecek diğer malzemeler gibi nesnelere toplamak için kullanmayın.
- Temizlik veya bakım işlemi yapılmadan önce cihazın fişi prizden çıkarılmalıdır.
- Robotu veya ana istasyonu ıslak bir bezle silmeyin veya herhangi bir sıvı ile durulamayın. Yıkabilir parçaları temizledikten sonra, yerlerine takmadan ve kullanmadan önce iyice kurutun.
- Lütfen bu ürünü Kullanıcı Kılavuzundaki talimatlara uygun bir şekilde kullanın. Bu ürünün uygunsuz kullanımından kaynaklanan kayıp veya zararlardan kullanıcılar sorumludur.

Piller ve Şarj

- Üçüncü taraflara ait herhangi bir pil veya ana istasyon kullanmayın. Robot sadece RCLE0305 model ana istasyon ile kullanılabilir.
- Pili veya ana istasyonu kendi başınıza sökmeye, onarmaya veya bunlar üzerinde değişiklik yapmaya çalışmayın.
- Ana istasyonu bir ısı kaynağının yakınına koymayın.
- Ana istasyonun şarj kontaklarını silmek veya temizlemek için ıslak bez veya ıslak ellerinizi kullanmayın.
- Kullanılmış pilleri uygun olmayan bir şekilde imha etmeyin. İhtiyaç fazlası piller uygun bir geri dönüşüm tesisinde imha edilmelidir.
- Güç kablosu zarar görür veya koparsa kabloyu kullanmayı derhal bırakın ve satış sonrası servisle iletişime geçin.

Güvenlik Bilgisi

Piller ve Şarj

- Robot nakledilirken kapalı olduğundan ve mümkünse orijinal paketinde tutulduğundan emin olun.
- Robot uzun süre kullanılmayacaksa tamamen şarj edin, ardından kapatın ve serin, kuru bir yerde saklayın. Pilin aşırı derecede boşalmasını önlemek için robotu en az her 3 ayda bir tekrar şarj edin.

Lazer Güvenlik Bilgileri

- Bu üründeki lazer sensörü, Sınıf 1 lazer ürünleri için IEC 60825-1:2014/EN 60825-1:2014/A11:2021 Standardına uyar. Kullanım sırasında lütfen doğrudan gözle temasından kaçınınız.

SINIF 1 LAZER ÜRÜNÜ
TÜKETİCİ LAZER ÜRÜNÜ
EN 50689:2021



Yalnızca iç mekânlarda kullanım içindir

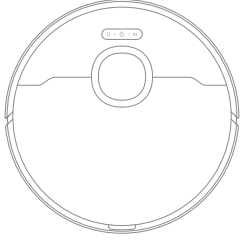


Kullanıcı kılavuzunu okuyun

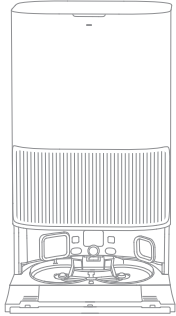
Bu belgeyle, Dreame Trading (Tianjin) Co., Ltd. RLL22SE telsiz ekipman türünün 2014/53/EU sayılı Direktif ile uyumlu olduğunu beyan eder. AB uygunluk beyanının tam metnini şu internet adresinde bulabilirsiniz: <https://global.dreametech.com>
Ayrıntılı e-kılavuz için lütfen tıklayınız: <https://global.dreametech.com/pages/user-manuals-and-faq>

Ürün Genel Bilgileri

Paket İçerikleri

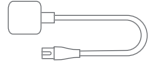


Robot



Ana İstasyon

Diğer Aksesuarlar



Güç Kablosu



Ana İstasyon Rampa
Uzatma Plakası



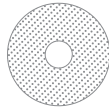
Kullanıcı
Kılavuzu



Otomatik Deterjan
Bölmesi
(Yerleşik)



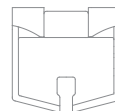
2 adet Toz
Torbası
(1 adet Yerleşik)



2 adet Paspas
Pedi
(Yerleşik)



Paspas Pedi
Tutucusu, 2
adet



Su Siperi Filtresi
(Yerleşik)



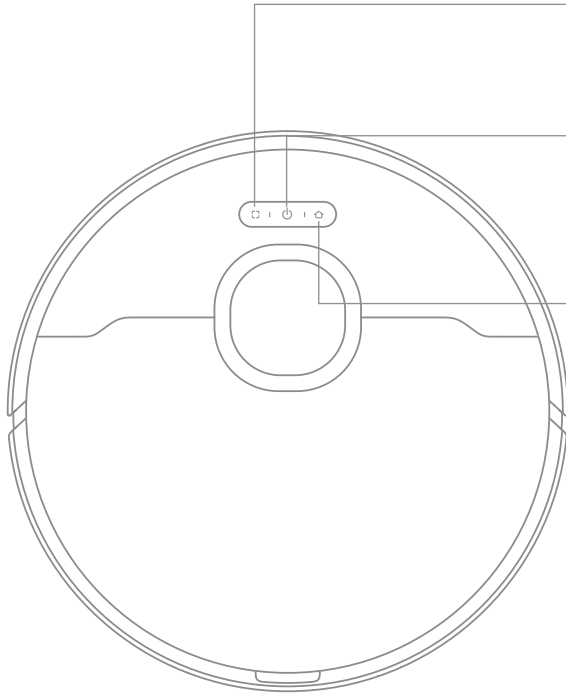
Temizlik Solüsyonu



Temizlik Aracı

Ürün Genel Bilgileri

Robot



☐ Nokta Temizliği Düğmesi

- Nokta temizliği başlatmak için basın

● Güç/Temizleme Düğmesi

- Açmak veya kapatmak için düğmesini 3 saniye basılı tutun
- Robot açıldıktan sonra temizliğe başlamak için basın

🏠 Yanaşma Düğmesi

- Robotu ana istasyona geri göndermek için basın
- Çocuk Kilidini devre dışı bırakmak için düğmesini 3 saniye basılı tutun

Durum Göstergesi

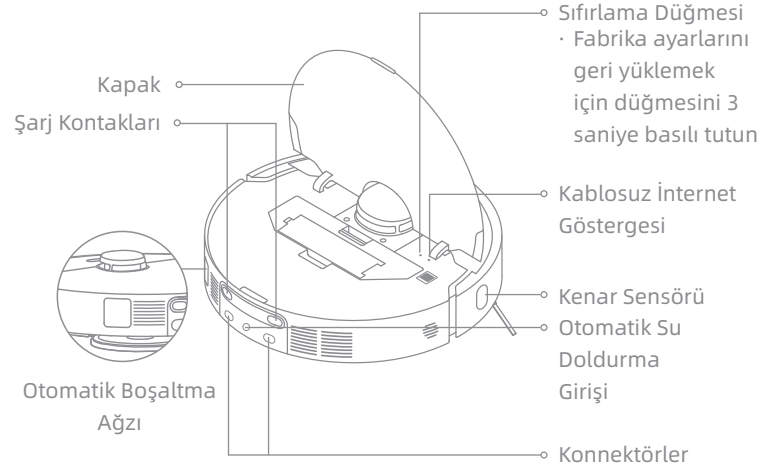
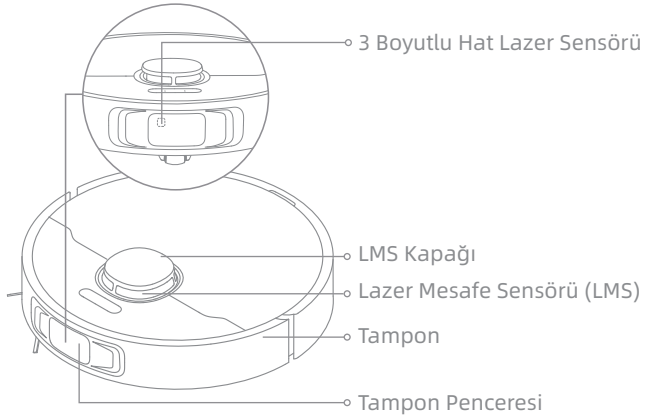
- Sürekli Yanan Beyaz: Temizlik tamamlandı
- Yavaş Yanıp Sönen Beyaz: Şarj oluyor (düşük pil değil)
- Sabit Turuncu: Düşük pil seviyesinde bekleme veya düşük pil seviyesinde duraklama
- Yavaş Yanıp Sönen Turuncu: Şarj oluyor (düşük pil)
- Yanıp Sönen Turuncu: Hata

Not:

- Robot temizlik yaparken veya şarj olmak üzere geri dönerken, üzerindeki herhangi bir düğmeye basarak robotu duraklatabilirsiniz.
- Çocuk Kilidi Dreamehome Uygulaması aracılığıyla etkinleştirilebilir/devre dışı bırakılabilir.

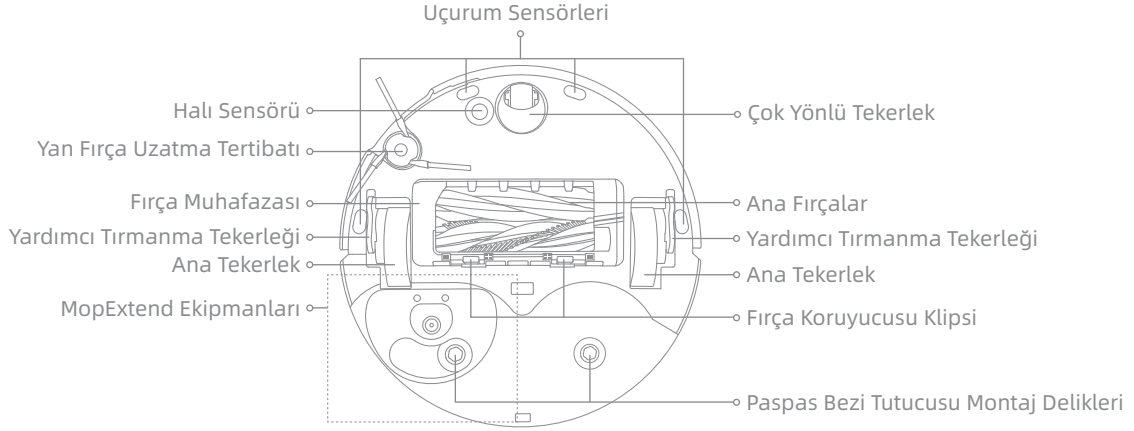
Ürün Genel Bilgileri

Robot ve Sensörler

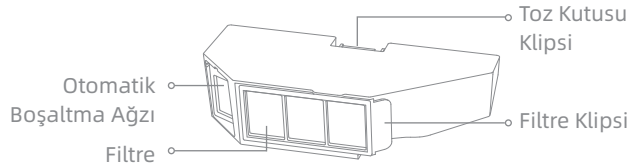


Ürün Genel Bilgileri

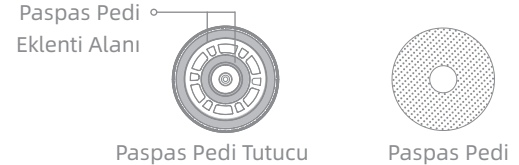
Robot ve Sensörler



Toz Kutusu

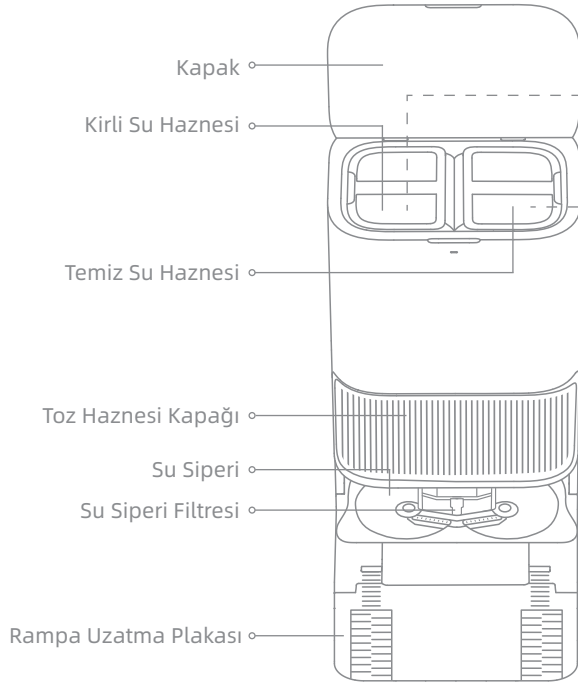


Paspas Tertibatı

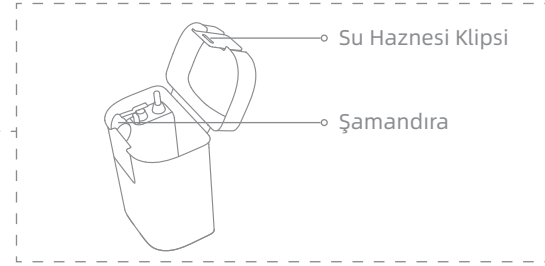


Ürün Genel Bilgileri

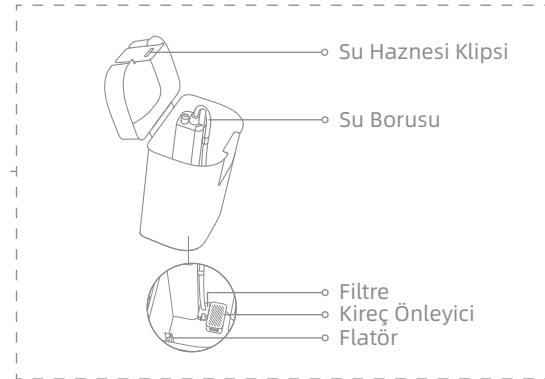
Ana İstasyon



Kirli Su Haznesi

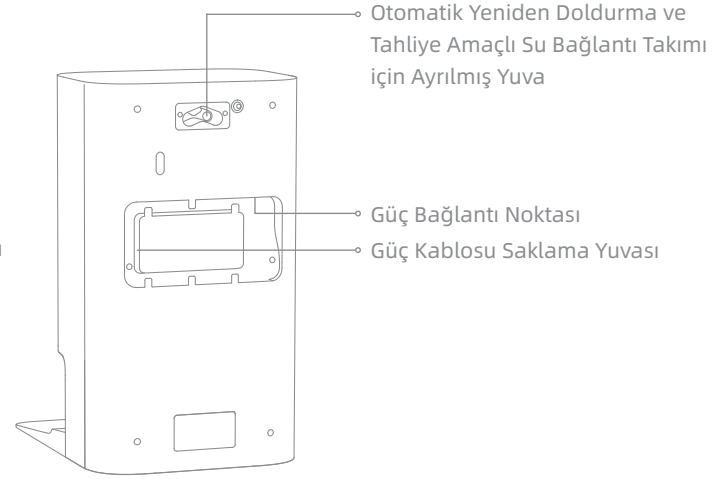
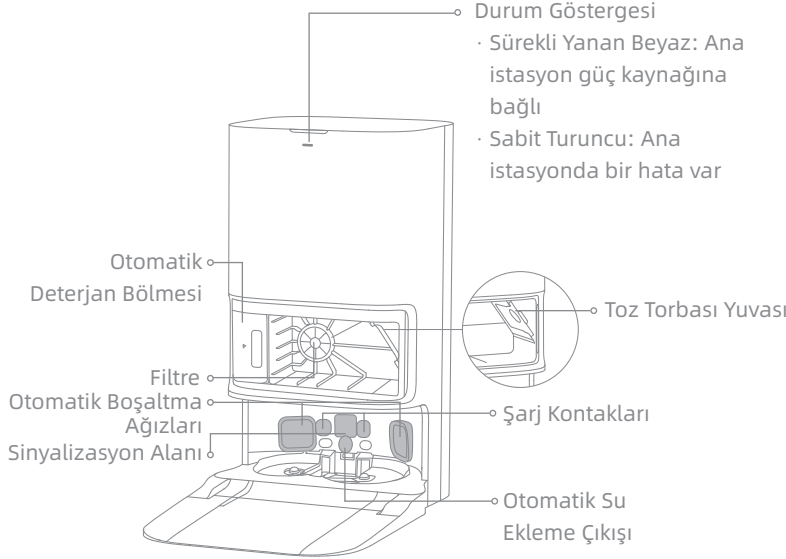


Temiz Su Haznesi



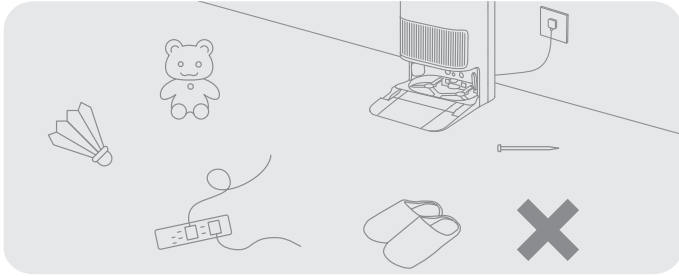
Ürün Genel Bilgileri

Ana İstasyon

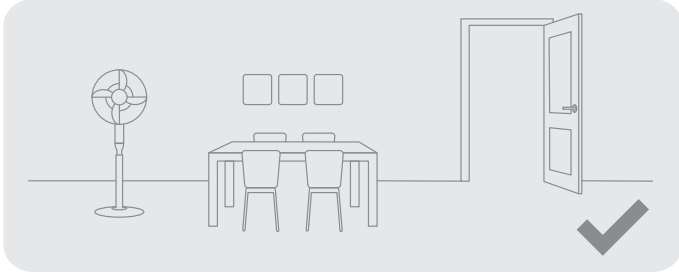


Not: Otomatik yeniden doldurma ve tahliye amaçlı su bağlantı takımı ayrıca satın alınmalıdır. (Yalnızca belirli bölgelerde mevcuttur)

Evinizin Hazırlanması



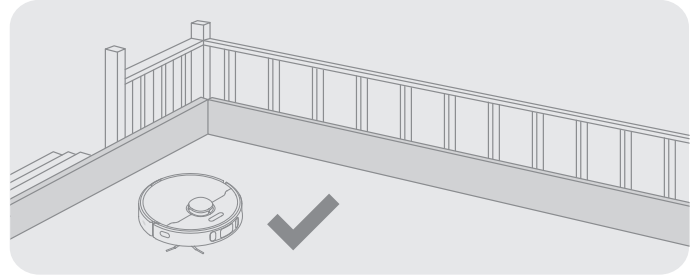
Temizliğe başlamadan önce lütfen sabit durmayan, kırılabilir, değerli veya tehlikeli eşyaları ortadan kaldırın, robotun takılarak, çizerek veya vurarak hasar vermemesi için yerdeki kabloları, giysileri, oyuncakları, sert nesnelere veya keskin nesnelere kaldırın/düzenleyin.



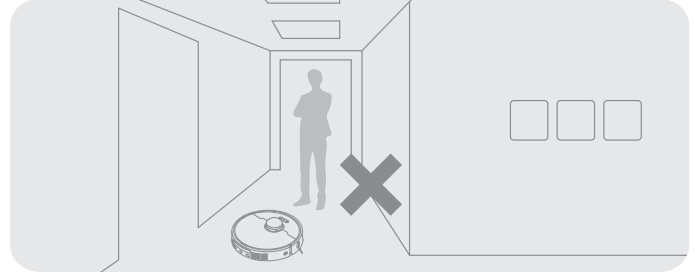
Temizlenecek odanın kapısını açın ve mobilyaları kendi yerlerine koyarak daha fazla alan açın.

Not:

- Robotu ilk kez çalıştırdığınızda engel çıkarabilecek şeyleri zamanında kaldırmak için temizlik yaparken robotu takip edin.
- Taş, çelik bilye ve oyuncak parçaları gibi sert nesnelere veya inşaat atığı, cam kırığı veya çivi gibi keskin nesnelere süpürmeyin, aksi takdirde zemin çizilebilir.



Temizliğe başlamadan önce, robotun güvenli ve sorunsuz bir şekilde çalışması için merdivenlerin kenarlarına fiziksel bir engel koyun.

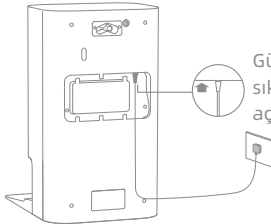
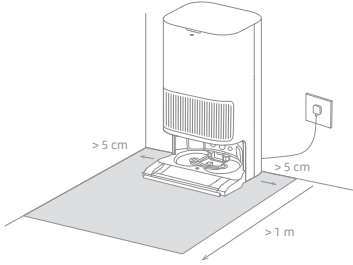


Robotun temizlenmesi gereken alanları kaçırmamasının önüne geçmek için robotun önünde, bir eşikte, koridorda veya dar yerlerde durmayın.

Kullanmadan Önce

1. Ana İstasyonu Yerleştirin ve bir Elektrik Prizine Bağlayın

Ana istasyonu etrafı mümkün olduğunca açık ve Kablosuz İnternet sinyalini iyi çeken bir yere yerleştirin. Şekilde gösterildiği gibi yeterli alan bırakın ve taralı alandaki nesnelere kaldırın. Güç kablosunu ana istasyona bağlayıp prize takın.

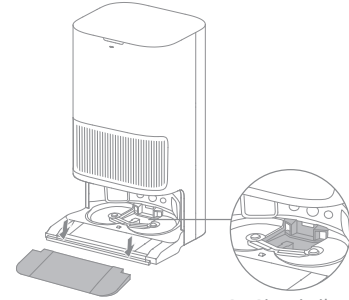


Güç kablosunu yukarı yönde sıkıca takarak göstergenin açıldığını kontrol edin.

Not:

- Sinyal alanını engelleyebilecek bir nesne bulunmadığından emin olun.
- Su lekelerinin ahşap zeminleri veya halıları ıslatmasını engellemek için ana istasyonun seramik veya mermer zeminlere yerleştirilmesi önerilir.

2. Rampa Uzatma Plakasını Takın

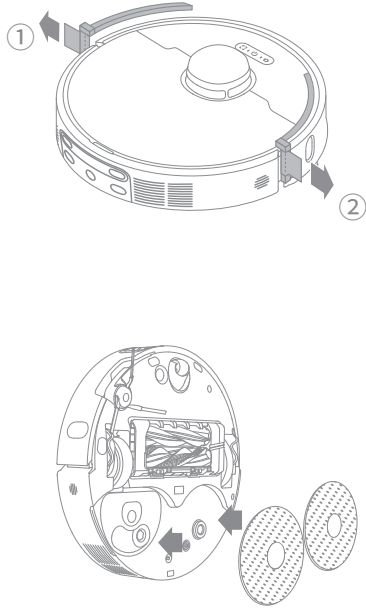


Su Siperi Filtresi

Not: Su siperi filtresinin yerine takılı olduğundan emin olun.

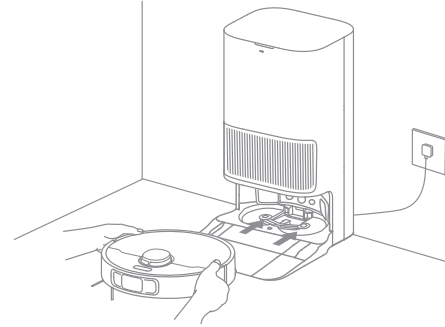
Kullanmadan Önce

3. Robot Korumalarını Çıkarın ve Paspas Tertibatını Takın



4. Robotu Ana İstasyona Bağlayın

Robotu açmak için robot üzerindeki güç düğmesini 3 saniye süreyle basılı tutun. Robotu, paspas tertibatı su siperine doğru bakacak şekilde ana istasyona yerleştirin. Ardından, robot ana istasyona başarılı bir şekilde bağlandığında sesli bir bildirim duyacaksınız. Robot tamamen şarj olduktan sonra, robot ve ana istasyon üzerindeki durum göstergeleri 10 saniye süreyle yanar ve ardından söner.

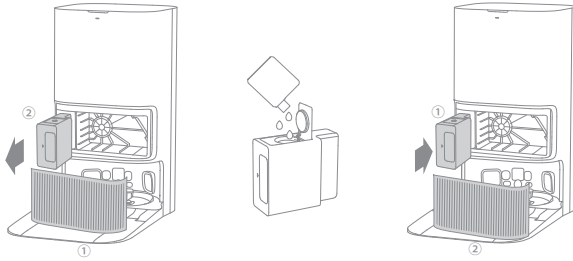


Not: Robotu ilk kez kullanmadan önce tamamen şarj etmeniz önerilir. Pil tükendiği için robot açılmadığı takdirde robotu şarj etmek üzere istasyona kendiniz bağlayın.

Kullanmadan Önce

5. Temizlik Solüsyonunu Ekleyin

- (1) Toz haznesi kapağını çıkarın ve otomatik deterjan bölmesini dışa doğru çekin.
- (2) Bölmenin üst kapağını açın ve temizlik solüsyonunu ekleyin.
- (3) Bölmenin kapağını kapatın, ana istasyona geri yerleştirin ve ardından toz haznesi kapağını yerine takın. Temizlik solüsyonu, çalışma sırasında otomatik olarak eklenecektir.

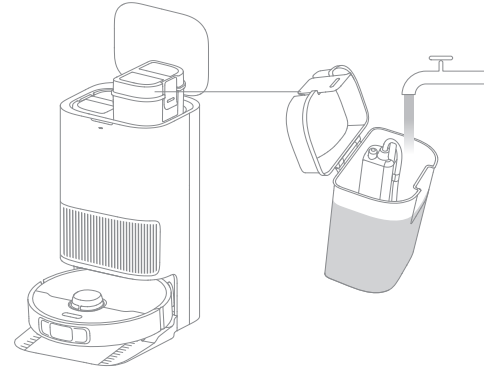


Not:

- Otomatik deterjan bölmesi, kullanılacak temizlik solüsyonu ile doldurulabilir. Arızaları önlemeye yardımcı olmak için resmi olarak onaylı temizlik solüsyonundan başka bir sıvı kullanmayın.
- Otomatik deterjan bölmesini klik sesini duyacak şekilde yerine oturtun.

6. Temiz Su Haznesine Su Ekleyin

Temiz su haznesini ana istasyondan çıkarın ve hazneyi temiz suyla doldurun. Ardından ana istasyona geri takın.

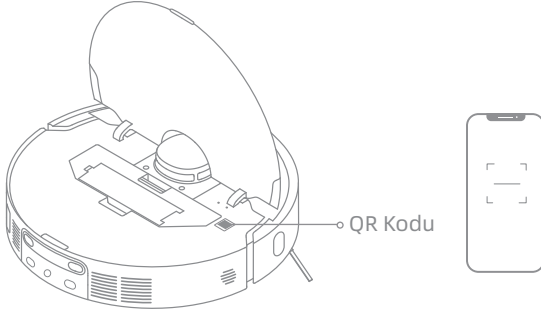


Not: Haznenin deforme olmasına neden olabileceğinden su haznesine sıcak su koymayın.

TR Dreamehome Uygulaması ile Bağlantı

1. Dreamehome Uygulamasını İndirin

Uygulamayı indirmek ve yüklemek için robot üzerindeki QR kodunu taratın veya uygulama mağazasında "Dreamehome" u arayın.

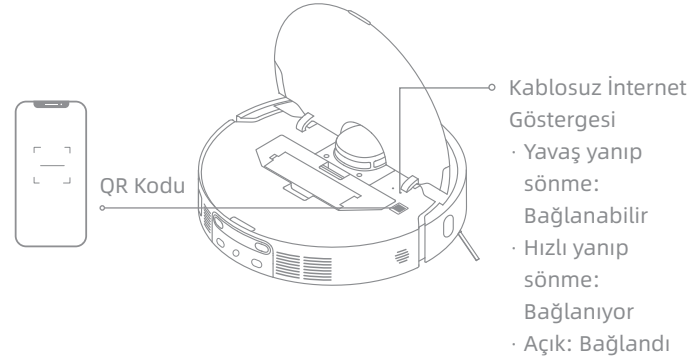


Not:

- Yalnızca 2.4 GHz kablosuz internet desteklenir.
- Uygulama yazılımındaki güncellemeler nedeniyle, gerçek işlemler kılavuzdaki yönergelerden farklı olabilir. Lütfen güncel uygulama sürümüne dayalı olarak talimatları izleyin.

2. Cihazı ekleyin

Dreamehome uygulamasını açın, "Bağlanmak için QR kodunu tara" ya dokununuz ve cihazı eklemek için aynı QR kodunu robotta tekrar tarayın. Kablosuz internet bağlantısını tamamlamak için lütfen talimatları izleyin.



Not:

- Kablosuz interneti sıfırlamak için 2. adımı tekrarlayın ve ardından kablosuz internet bağlantısını tamamlamak için ekrandaki talimatları izleyin.
- Cihazı kablosuz internet ağından ayırmak için robot süpürgenin üzerindeki Sıfırlama Düğmesini 3 saniye basılı tutun.

Kullanım

Aç / Kapat

Robotu açmak için güç düğmesini 3 saniye süreyle basılı tutun. Güç göstergesi yanar durumda kalır. Robotun şarj kontaklarını ana istasyonunkilerle hizalayarak robotu ana istasyona da yerleştirebilirsiniz; robot otomatik olarak açılır ve şarj olma başlar. Robotu kapatmak için robotu ana istasyondan uzaklaştırın ve güç düğmesini 3 saniye süreyle basılı tutun.

Hızlı Harita Çıkarma

Ağı ilk kez yapılandırdıktan sonra, hızlı bir şekilde bir harita oluşturmak için uygulamadaki talimatları izleyin. Robot, temizliğe başlamadan harita çıkarmaya başlayacaktır. Robot ana istasyona döndüğünde, haritalandırma işlemi tamamlanmış olup harita otomatik olarak kaydedilir.

Duraklatma/Uyku

Robot çalışırken herhangi bir düğmeye basarak robotu duraklatabilirsiniz.

Robotun duraklama süresi 10 dakikayı aştığı takdirde otomatik olarak uyku moduna geçer. Robot üzerindeki tüm göstergeler kapanır. Robot üzerindeki herhangi bir düğmeye basarak ya da uygulamayı kullanarak robotu uyandırabilirsiniz.

Not: Robot duraklatılıp ana istasyona yerleştirildiği takdirde geçerli temizlik işlemi sona erer.

Temizliğe Otomatik Olarak Devam Etme

Pil çok azaldığı takdirde robot şarj olmak için otomatik olarak ana istasyona döner. Uygun pil seviyesine kadar şarj olduktan sonra, henüz tamamlanmamış olan temizlik görevlerine kaldığı yerden devam eder.

Not:Bu işlevi kullanmak için lütfen uygulama içinde etkinleştirin.

Rahatsız Etmeyin (DND) Modu

Robot Rahatsız Etmeyin (DND) moduna ayarlandığında robotun temizliğe kaldığı yerden devam etmesi engellenir. DND modu, fabrika ayarlarında varsayılan olarak devre dışıdır. Uygulama üzerinden DND modunu etkinleştirebilir veya DND süresini değiştirebilirsiniz. DND süresi, varsayılan olarak 22:00-8:00 olarak ayarlanmıştır.

Not:

- Programlanmış temizlik görevleri DND süresi boyunca normal bir şekilde yerine getirilir.
- DND süresi sona erdikten sonra robot temizliğe kaldığı yerden devam eder.

Nokta Temizliği

Robot bekleme durumundayken [] düğmesine kısa süre basarak nokta temizliği modunu etkinleştirebilirsiniz. Bu modda, robot etrafındaki 1,5 x 1,5 metre karelik alanı temizler ve nokta temizliği tamamlandığında başlangıç noktasına geri döner.

Robotu Tekrar Başlatmak

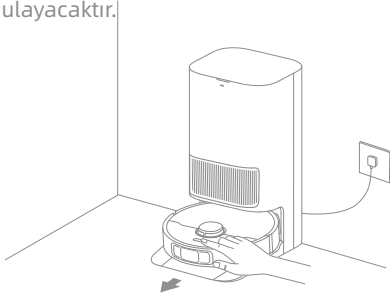
Robot yanıt vermeyi durdurursa veya kapatılamazsa cihazı zorla kapatmak için güç düğmesini 10 saniye basılı tutun. Ardından robotu açmak için güç düğmesini 3 saniye basılı tutun.

Süpürme ve Paspaslama

Not: Paspas tertibatını ilk kez kullanıyorsanız, robot varsayılan olarak "Süpürme ve Paspaslama" görevini yerine getirir.

1. Temizliğe başlama

Robot üzerindeki güç düğmesine basarak veya uygulamayı kullanarak robotu ana istasyondan başlatın. Robot en uygun temizlik rotasını planlayacak ve oluşturulan haritaya göre temizlik görevini uygulayacaktır.

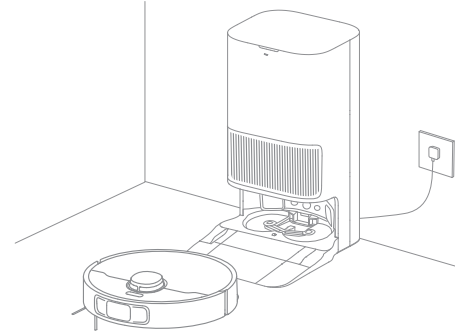


Not:

- Robotun temizlikten sonra ana istasyona kolayca dönebilmesi için robotun ana istasyondan başlatılması önerilir.
- Robot paspaslamaya başlamadan önce paspas pedleri temizlenecektir, lütfen biraz bekleyin.
- Çalışma sürdüğü sırada ana istasyonu, temiz su haznesini, kirlı su haznesini veya su şıperi filtresini yerinden oynatmayın.
- Paspas pedi temizleme için sıcak suyla temizlik uygulama üzerinden etkinleştirilebilir ve tüm modlarda geçerlidir. Yanmamak için fonksiyon açıkken su çıkışına dokunmayın.

2. Otomatik paspas yıkama

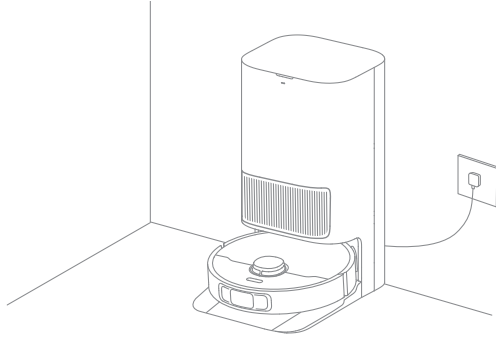
Temizlik sırasında, robot uygulamada belirlenen paspas pedi temizleme sıklığına göre paspas pedlerini yıkamak için otomatik olarak ana istasyona döner. Ana istasyon robotun su haznesini otomatik olarak yeniden doldurur ve robot temizliğe kaldığı yerden devam eder.



Kullanım

3. Toz kutusunun otomatik olarak boşaltılması ve paspas pedlerinin yıkanıp kurutulması

Robot bir temizlik görevini tamamladıktan ve şarj olmak için ana istasyona döndükten sonra, ana istasyon otomatik olarak toz kutusunu boşaltır. Ardından paspas pedlerini yıkayıp kurutur.



Not:

- Otomatik boşaltma işlevi uygulamada kapalı olduğu takdirde ana istasyon toz kutusunu otomatik olarak boşaltmaz.
- Ana istasyon, toz kutusunu uygulamadaki ayara göre boşaltır.

4. Kirli su haznesini temizleme

Robot görevini tamamladıktan sonra, herhangi bir koku oluşmasını önlemek için lütfen kirli su haznesini temizleyin.

Süpürdükten sonra Paspasla

Uygulamada süpürdükten sonra paspaslama fonksiyonunu etkinleştirin. Robot, yerleri süpürmek için paspas tertibatını otomatik olarak ana istasyonda çıkarır. Süpürme işlemi tamamlandıktan sonra, robot ana istasyona dönerek paspas tertibatını takar ve ana istasyon da otomatik olarak toz kutusunu boşaltır. Ardından yan fırça kalktıktan sonra robot paspaslama işlemine başlar.

Yalnızca Süpür

Uygulamada süpürme fonksiyonunu etkinleştirin. Robot, ana istasyondaki paspas tertibatını otomatik olarak çıkarır ve süpürme işlemine başlar.

Yalnızca Paspasla

Uygulamada paspaslama fonksiyonunu etkinleştirin. Robot paspas tertibatının ana istasyonda takılı olup olmadığını otomatik olarak kontrol eder. Takılı değilse robot paspas tertibatını takar ve yan fırça kalktıktan sonra paspaslamaya başlar.

Rutin Bakım

Parçalar

Robotun düzgün çalışmaya devam etmesi amacıyla rutin bakım için uygulamadaki aksesuar kullanımı bölümüne veya aşağıdaki tabloya bakılması önerilir.

Parça	Bakım Sıklığı	Değiştirme Süresi
Kirli su haznesi	Her kullanımdan sonra	/
Temiz su haznesi	2 haftada bir	/
Ana fırçalar		Her 6-12 ayda bir
Toz kutusu filtresi		Her 3-6 ayda bir
Yan fırça		/
Paspas pedi tutucuları		/
Su siperi filtresi	Her 1 ila 2 ayda bir	/
Ana istasyon sinyal alanı	Ayda bir kez	
Şarj kontakları		
Otomatik Boşaltma Ağızları		
Çok yönlü tekerlek		
Kenar sensörü		
Lazer Mesafe Sensörü (LMS)		
3 Boyutlu Hat Lazer Sensörü		
Halı sensörü		
Uçurum sensörleri		

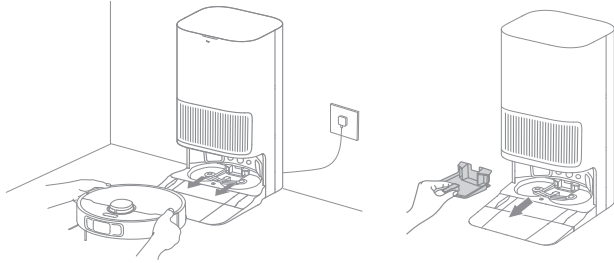
Parça	Bakım Sıklığı	Değiştirme Süresi
Tampon Penceresi	Ayda bir kez	/
Tampon		
Robot otomatik su doldurma girişi		
Robotun alt kısmı		
Toz kutusu	Gereken sıklıkta temizleyin	/
Ana tekerlekler		
Yardımcı tırmanma tekerlekleri		
Toz torbası	/	Her 2-4 ayda bir
Paspas pedleri		Her 1-3 ayda bir
Kireç önleyici		Her 18-36 ayda bir

Not: Bakım ve değiştirme sıklığı gerçek kullanıma bağlıdır. Özel koşullar nedeniyle istisnai bir durum meydana geldiği takdirde derhal bakım veya değiştirme önerilir.

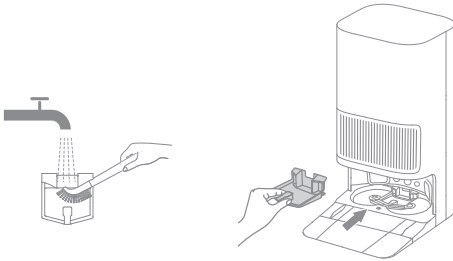
Rutin Bakım


Su Siperi Filtresi

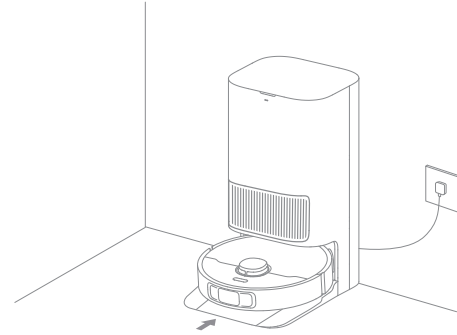
1. Paspas pedi temizleme işlemi tamamlandığında robotu alın ve su siperi filtresini çıkarın.



2. Su siperi filtresini temiz suyla yıkayın, silip temizleyin ve su siperine geri takın.



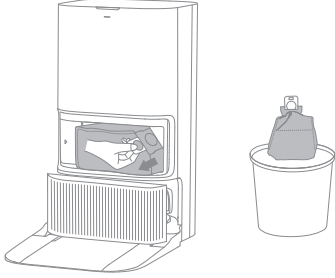
3. Robotu ana istasyona döndürmek için uygulamayı kullanın veya  düğmesine basın ya da robotu manuel olarak ana istasyona yerleştirin.



Rutin Bakım

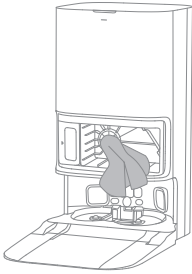
Toz Torbası

1. Toz haznesi kapağını çıkarın ve toz torbasını çıkarıp atın.

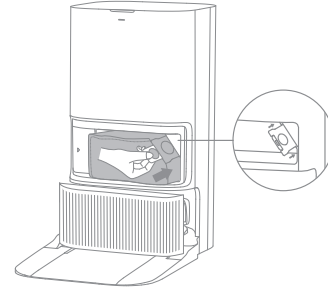


Not: Tutma Yeri yukarı doğru çektiğinizde torba kapanarak toz ve artıkların kazara dökülmesini önler.

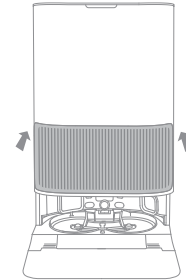
2. Filtredeki toz ve kalıntıları kuru bir bezle temizleyin.



3. Yeni bir toz torbası takın.



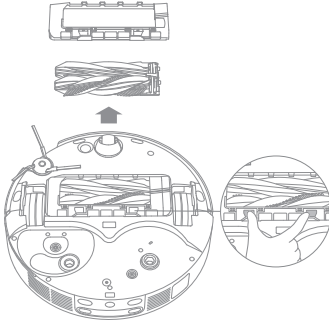
4. Toz haznesi kapağını yerine takın.



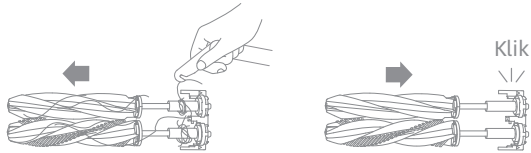
Rutin Bakım

Ana Fırçalar

1. Fırça muhafazası klipslerini içe doğru bastırarak fırça muhafazasını çıkarın ve fırçaları kaldırarak robottan çıkarın.

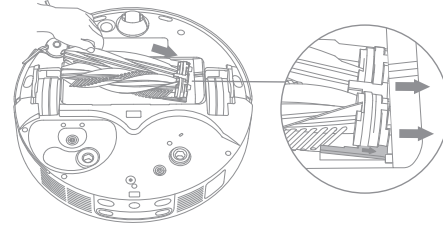


2. Fırçaları şekilde gösterildiği çekip çıkarın. Fırçalara dolaşmış saçları çıkarmak için verilen temizlik aracını kullanın. Fırçaları temizledikten sonra sağlam bir şekilde ana fırça tutucusuna takın ve yerlerine oturtun.

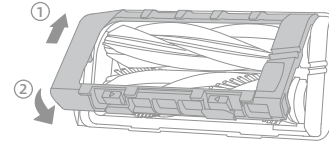


Not: Yaralanmayı önlemek için ana fırçaları çekip çıkarırken dikkatli olun.

3. Gösterilen oklar yukarı bakacak şekilde, ana fırça tutucusunu aşağıya doğru eğik bir şekilde yuvalara yerleştirin.



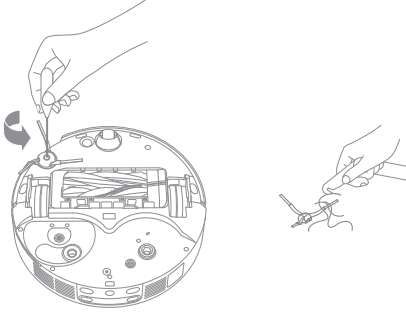
4. Fırça muhafazasının ön ucunu yuva ile hizalayın, aşağıya doğru eğik bir şekilde yerleştirin ve ardından bastırın yerine oturtun.



Rutin Bakım

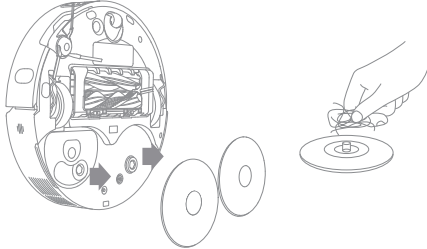
Yan Fırça

Yan fırçanın vidalarını bir tornavidayla söküp, fırçadaki saçları temizleyin ve fırçayı geri takın.

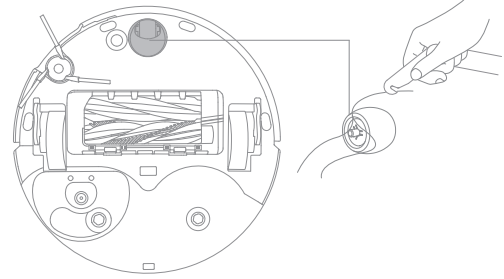


Paspas pedi tutucuları

Paspas pedi tutucuları çıkarın ve temizleyin.



Çok Yönlü Tekerlek



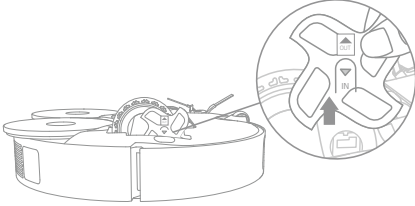
Not:

- Ufak tornavida gibi bir aletle çok yönlü tekerleğin aksını ve lastiğini ayırın. Aşırı güç kullanmayın.
- Çok yönlü tekerleği akan suyun altında yıkayıp tamamen kurduktan sonra geri takın.

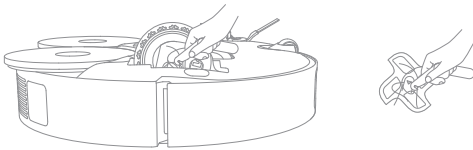
Rutin Bakım

Yardımcı Tırmanma Tekerlekleri ve Ana Tekerlekler

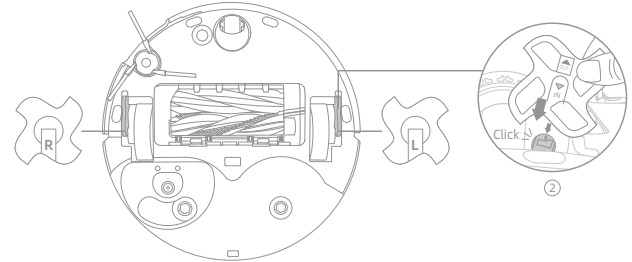
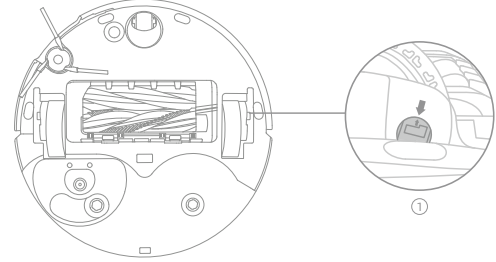
1. Yardımcı tırmanma tekerleğini "OUT" oku yukarıya bakar konuma gelinceye kadar döndürün ve tekerleği çekip çıkarın.



2. Ana tekerleğe ve yardımcı tırmanma tekerleğine dolaşmış olan saçları/tüyleri uygun bir temizlik aracıyla temizleyin.



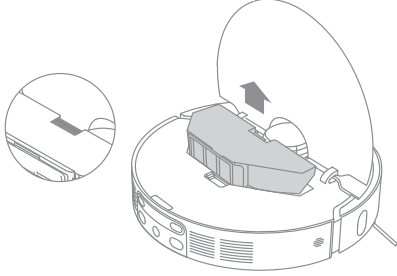
3. Temizledikten sonra, ana tekerleği döndürerek iki oku hizalayın (bkz. Şekil ①). Ardından, "IN" oku aşağıya bakar şekilde, sol ve sağ yardımcı tırmanma tekerleklerini takip yerlerine oturtun. (bkz. Şekil ②).



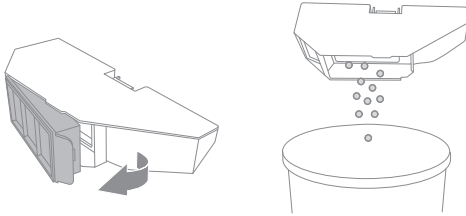
Rutin Bakım

Toz Kutusu ve Filtre

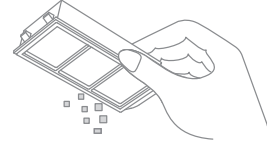
1. Robot kapağını açın ve toz kutusu klipsine basarak toz kutusunu çıkarın.



2. Toz kutusu filtresini çıkarın ve toz kutusunu boşaltın.

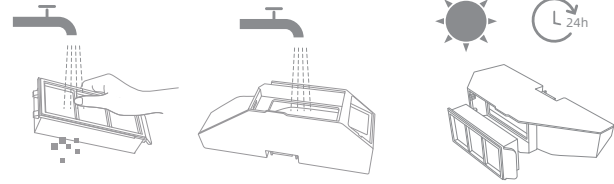


3. Kirleri çıkarmak için filtrenin sepetine hafifçe vurun.



Not: Hasar görmemesi için, filtreyi bir fırçayla, parmakla veya keskin nesnelere temizlemeye çalışmayın.

4. Toz kutusunu ve filtreyi yerlerine takmadan önce suyla yıkayın ve tamamen kurutun.



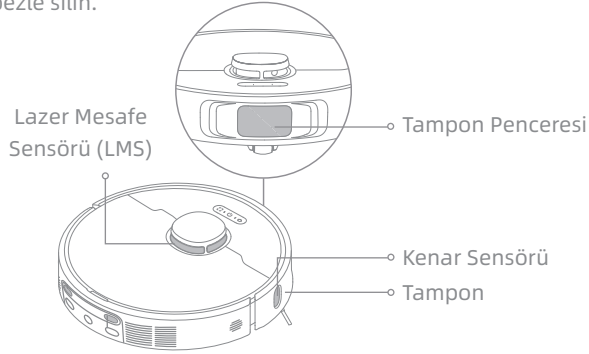
Not:

- Toz kutusunu ve filtreyi yalnızca temiz suyla yıkayın. Deterjan kullanmayın.
- Toz kutusunu ve filtreyi tamamen kuruduktan sonra kullanın.

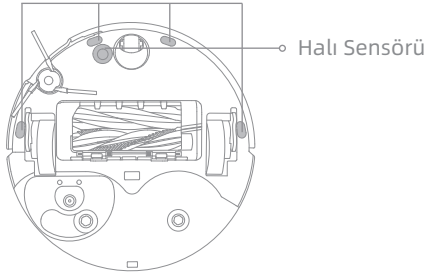
Rutin Bakım

Robot Sensörleri

Robot sensörlerini, aşağıdaki şekilde gösterildiği gibi yumuşak ve kuru bir bezle silin.



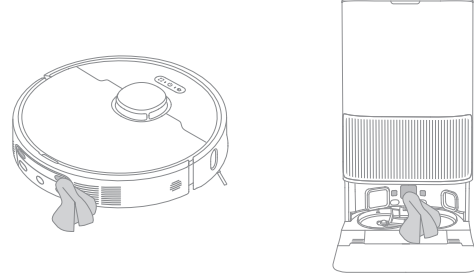
Uçurum Sensörleri



Not: Nemli bez, robot içindeki ve ana istasyondaki hassas parçalara zarar verebilir. Temizlik sırasında lütfen kuru bir bez kullanın.

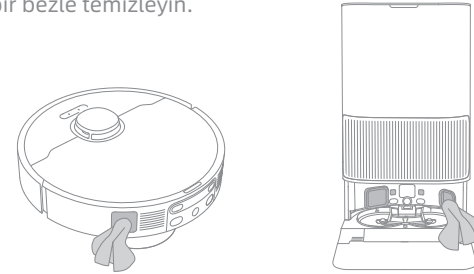
Şarj Kontakları ve Sinyal Alanı

Şarj kontaklarını ve sinyal alanını yumuşak ve kuru bir bezle temizleyin.



Otomatik Boşaltma Ağızları

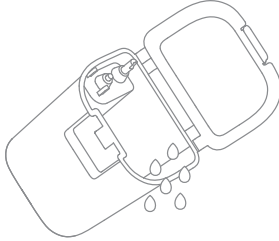
Robotun ve ana istasyonun otomatik boşaltma ağızlarını yumuşak ve kuru bir bezle temizleyin.



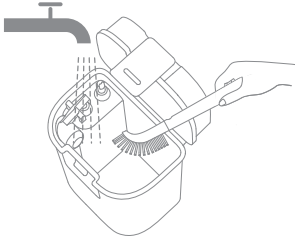
Rutin Bakım

Kirli Su Haznesi

1. Kirli su haznesini çıkarın, kapağını açın ve kirli suyu dökün.



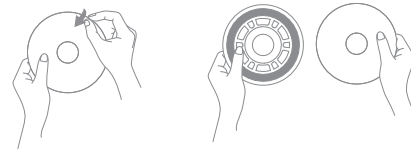
2. Kirli su haznesini temiz suyla durulayın ve ürünle birlikte verilen temizlik aracını kullanarak kirli su haznesini iç duvarını temizleyin.



Not: Kirli su haznesindeki küresel şamandıra hareketli bir parçadır. Zarar vermemek için temizlerken çok fazla kuvvet kullanmayın.

Paspas Pedleri

Paspas pedlerini değiştirmek için paspas pedi tutuculardan çıkarın.



Pil

Robot, yüksek performanslı lityum iyon pil takımı içerir. En uygun pil performansını muhafaza etmek üzere lütfen günlük kullanım için şarjın yeterli olduğundan emin olun. Robot uzun süre kullanılmıyacaksa kapatın ve kaldırın. Şarjın aşırı boşalmasından kaynaklanacak zararı önlemek için robotu en az her üç ayda bir yeniden şarj edin.


Sorun giderme

Sorun	Çözüm
Robot açılmıyor.	Pil azalmış. Robotu istasyonda yeniden şarj edip tekrar deneyin. Pilin sıcaklığı çok düşük veya çok yüksek. Cihazın 0°C (32 °F) ile 40°C (104 °F) arasındaki bir sıcaklıkta çalıştırılması tavsiye edilir.
Robot şarj olmuyor.	Ana istasyon güce bağlı olmayabilir, lütfen güç kablosunun her iki ucunun da doğru şekilde takılı olduğundan emin olun. Ana istasyon üzerindeki şarj kontakları ve robot arasındaki temas zayıf olabilir, lütfen şarj kontaklarını temizleyin. Robotun konnektörlerinde yabancı cisim olup olmadığını kontrol edin ve varsa yabancı cismi çıkarın.
Robot kablosuz internete bağlanamıyor.	Kablosuz internet ağ şifresi yanlış olabilir. Kablosuz internet ağınıza bağlanmak için kullanılan şifrenin doğru olduğunu kontrol edin. Robot 5 GHz Kablosuz İnternet bağlantısını desteklemiyor. Robotun 2.4 GHz Kablosuz İnternet bağlantısına bağlı olduğundan emin olun. Kablosuz internet sinyali zayıf. Robotun, kablosuz internet kapsamı iyi olan bir alanda olduğundan emin olun. Robot yapılandırılmaya hazır olmayabilir. Lütfen uygulamadan çıkıp yeniden giriş yapın ve talimatları takip ederek tekrar deneyin.
Robot ana istasyonu bulamıyor ve geri dönemiyor.	Ana istasyonun güç bağlantısı kesilmiş veya istasyon robot orada değilken yerinden oynatılmış olabilir. Lütfen ana istasyonu güç kaynağına bağlayın veya robotu şarj olması için ana istasyonunun üzerine yerleştirin. Ana istasyonun etrafında çok sayıda engel var. Ana istasyonu daha açık bir alana yerleştirin. Robotu yerinden oynatmak kendini yeniden konumlandırmasına neden olabilir, yeniden konumlandırma başarısız olursa tekrar bir harita oluşturacaktır. Robot ana istasyondan çok uzaktaysa kendi başına otomatik olarak geri dönemeyebilir, bu durumda robotu ana istasyona manuel olarak yerleştirmeniz gerekmektedir. Ana istasyonun sinyal alanını silerek toz veya kalıntıları giderin.

Sorun giderme

Sorun	Çözüm
Robot ana istasyonun önünde takılı kalıyor ve istasyona geri dönemiyor.	Robotun takılmasını önlemek için ana istasyonun her iki tarafında veya önünde yeterli alan olup olmadığını kontrol edin. Şarj olmak için döndüğü yolda engel olabilir, örneğin kapı kapalı olabilir. Ana istasyonun önündeki zemin aşırı ıslak ise robot kayabilir. Aşırı ıslaksa tekrar denemeden önce fazla suyu temizleyin. Ana istasyonun farklı bir yere taşınması ve tekrar denenmesi önerilir. Rampa uzatma plakasının doğru takıldığından emin olun.
Robot kapanmıyor.	Robot şarj olurken kapatılamaz. Robotu ana istasyondan uzaklaştırmanız ve ardından kapatmak için güç düğmesini 3 saniye basılı tutmanız önerilir. Robot 1. adım uygulanarak kapatılamadığı takdirde robotu zorla kapatmak için güç düğmesini 10 saniye basılı tutun. Sorun devam ederse lütfen satış sonrası servis ile iletişime geçin.
Şarj hızı düşük.	Pil azaldığında robotun tamamen şarj olması yaklaşık 3,5 saat sürer. Robotu belirtilen aralığın dışındaki sıcaklıklarda çalıştırırsanız şarj hızı otomatik olarak yavaşlayarak pil ömrünü uzatır. Hem robotun hem de istasyonun şarj kontakları kirli olabilir, lütfen kuru bir bezle silin.
Robot çalışırken gürültü artıyor.	Toz kutusu filtresinin tıkalı olup olmadığını kontrol edin. Tıkalıysa temizleyin veya değiştirin. Ana fırçalara veya toz kutusuna sert bir nesne sıkışmış olabilir. Sert nesne olup olmadığını kontrol edin ve varsa çıkarın. Ana fırçalar veya yan fırça birbirine dolanabilir. Yabancı nesne olup olmadığını kontrol edin ve varsa çıkarın. Emme modunu Standart veya Sessiz'e getirin.
Robot, belirlenen rotayı takip etmeden hareket ediyor.	Robot kullanılmadan önce güç kabloları ve terlikler gibi nesnelere düzenlenmelidir. Islak kaygan yüzeylerde çalışma ana tekerleğin kaymasına yol açar. Robotu kullanmadan önce ıslak yerlerin kurutulması önerilir. Robot üzerindeki tampon penceresini temiz ve görüş alanlarını açık tutmak için temiz, yumuşak bir bezle silin.

Sorun giderme

Sorun	Çözüm
Robot, temizlenmesi gereken odaları atlıyor.	Temizlenecek odaların kapılarının açık olduğunu kontrol edin. Temizlenecek odanın önündeki alan ıslak veya kaygan olup robotun kaymasına ve anormal çalışmasına neden olabilir. Lütfen robotu kullanmadan önce yeri kurutmaya çalışın.
Robot şarj olduktan sonra temizliğe kaldığı yerden devam etmiyor.	Robotun Rahatsız Etmeyin (DND) moduna ayarlanmadığından emin olun, bu, temizliğin kaldığı yerden başlatılmasını engeller. Siz robotu manuel olarak ana istasyona yerleştirdikten veya uygulama ya da  düğmesi üzerinden robotu şarj olmaya gönderdikten sonra robot temizliğe kaldığı yerden devam etmez.
İstasyon toz kutusunu otomatik olarak boşaltmıyor.	Toz haznesindeki toz torbasının dolu olup olmadığını kontrol edin. Toz torbası dolu değilse robotun, ana istasyonun veya toz kutusunun otomatik boşaltma ağızlarında herhangi bir tıkanıklık olup olmadığını kontrol edin. Tıkanıklık varsa gecikmeden temizleyin.
Su siperindeki su anormal seviyede.	Kirli su haznesi üzerindeki contanın gevşek veya yanlış takılmış olup olmadığını kontrol edin ve yanlışlık varsa kendiniz düzeltin. Sorun devam ederse lütfen satış sonrası servis ekibiyle iletişime geçin. Kirli su haznesine nazikçe bastırarak doğru takılı olduğundan emin olun. Su siperi filtresini çıkarıp atık su drenajı çıkışının tıkanmış olup olmadığını kontrol edin ve tıkanmışsa temizleyin. Temizlik solüsyonunu kontrol edin. Resmi olarak onaylı temizlik solüsyonundan başka bir sıvı kullanmayın.
Paspas pedi tutucusu anormal bir şekilde kalkmış.	Lütfen paspas pedi tutucusunu çıkarıp içine herhangi bir yabancı nesnenin takılı olup olmadığını kontrol edin ve robotu yeniden başlatmayı deneyin. Sorun devam ederse lütfen satış sonrası servis ekibiyle iletişime geçin.
Temiz su tankının altında veya sızdırmazlık elemanının etrafında su var.	Temiz su haznesini çıkarırken tankın altındaki veya sızdırmazlık elemanının etrafındaki boruda bir miktar su kalmış olabilir. Bu normaldir. Lütfen kuru bir bezle silin.

Daha fazla destek için bizimle <https://global.dreametech.com> üzerinden iletişime geçebilirsiniz

Teknik özellikler

Robot

Model	RLL22SE
Şarj Süresi	Yaklaşık 3,5 saat
Nominal Voltaj	14,4 V \equiv
Nominal Güç	75 W
Çalışma Frekansı	2400-2483,5 MHz
Maksimum Çıkış Gücü	< 20 dBm

Bu ekipmanda, normal kullanım koşulları altında anten ile kullanıcının vücudu arasında en az 20 cm'lik mesafe olmalıdır.

Ana İstasyon/Şarj Yanaşma Noktası

Bekleme modunda güç tüketimi: $\leq 0,5$ W (robot süpürge ana istasyondan/şarj yanaşma noktasından ayrıldıktan sonra 15 dakika içinde)

Robot Süpürge ve Ana İstasyon/Şarj Yanaşma Noktası

Ekipmanın, bekleme gereksinimleri, güç yönetimi işlevi veya pil bakım ihtiyaçları nedeniyle kablosuz ağ bağlantılarını devre dışı bırakma özelliği açısından bir bekleme modu veya diğer eşdeğer bir durumu yoktur. Ekipmanın güç tüketiminin, bu işlevsel gereksinimleri karşılayan diğer ekipman modellerinden daha yüksek olması muhtemeldir.

Ana İstasyon

Model	RCLE0305
Nominal Giriş	220-240 V \sim 50-60 Hz
Nominal Çıkış	20 V \equiv 2 A
Nominal Güç (toz boşaltma sırasında)	700 W
Nominal Güç (sıcak suyla temizlik sırasında)	1160 W
Nominal Güç (şarj etme ve kurutma sırasında)	87 W

Not:

- Nominal Güç (sıcak suyla temizleme sırasında), temsili süre (su sıcaklığı 25 °C) sırasındaki güç değeriyle belirlenir.
- Nominal Güç (şarj etme ve kurutma sırasında), tam yük süresindeki güç değerine göre belirlenir.

Şarj Edilebilir Lityum İyon Pil Takımı

Model	R2412-4S2P-MMBK/R2412-4S2P-KLYEV
Nominal Gerilim	14,4 V \equiv
Märkkapicitet	4,8Ah
Standart Kapasite	5,2Ah 74,88Wh

Pillerin Çıkarılması ve İmhası

Üründeki lityum-iyon pil, çevreye zararlı maddeler içerir. Pili atmadan önce, yetkin teknisyenler tarafından çıkarılmasını sağlayın ve uygun bir geri dönüşüm tesisinde imha edileceğinden emin olun.

- cihaz ıskartaya çıkarılmadan önce pilleri çıkarılmalıdır;
- piller çıkarılırken cihaz şebeke elektriğinden ayrılmış olmalıdır;
- pil, güvenli bir şekilde imha edilmelidir.

DİKKAT:

Pili çıkarmadan önce, güç kablosunu ayırın ve pili olabildiğince fazla tüketin.

İhtiyaç fazlası piller uygun bir geri dönüşüm tesisinde imha edilmelidir.

Patlama risklerinin önüne geçmek için yüksek sıcaklıklı ortamlara maruz bırakmayın.

Kötü koşullar altında, pilden sıvı sızabilir. Temas meydana gelirse ilgili bölgeyi suyla yıkayın ve tıbbi yardım alın.

Çıkarma Kılavuzu:

1. Robotu ters çevirin, uygun bir aletle robotun arkasındaki vidaları sökün ve ardından kapağı çıkarın.
2. Pili çıkarmak için pil ile PCB kartı arasındaki bağlantı uçlarını çıkarın.

WEEE Bilgileri



Bu sembolü taşıyan tüm ürünler elektrikli ve elektronik cihaz atığı (2012/19/AB sayılı direktifteki anlamıyla WEEE) kapsamında olup sınıflandırılmamış ev atıklarıyla karıştırılmamalıdır. Bunun yerine, atık cihazınızı, atık elektrikli ve elektronik cihazların geri dönüştürülmesi için hükümet veya yerel yetkililer tarafından belirlenmiş olan toplama noktasına teslim ederek insan sağlığını ve çevreyi korumalısınız. Doğru imha ve geri dönüşüm, çevre ve insan sağlığı üzerindeki olası olumsuz sonuçların engellenmesine yardımcı olacaktır. Bu tür toplama noktalarının konumu, şartları ve koşulları hakkında daha fazla bilgi almak için lütfen montaj yetkilisiyle veya yerel yetkililerle iletişime geçin.

Thông tin an toàn

Để tránh bị điện giật, hỏa hoạn hoặc thương tích do sử dụng thiết bị sai quy cách, vui lòng đọc kỹ hướng dẫn sử dụng trước khi sử dụng thiết bị và giữ lại để tham khảo sau này.

Hạn Chế Sử Dụng

- Không để trẻ em dưới 8 tuổi cũng như những người có khiếm khuyết về thể chất, giác quan, trí tuệ hoặc hạn chế về kinh nghiệm hoặc kiến thức sử dụng sản phẩm này mà không có sự giám sát của cha mẹ hoặc người giám hộ để đảm bảo vận hành an toàn và tránh mọi rủi ro. Không để trẻ em thực hiện công việc vệ sinh và bảo trì mà không có sự giám sát.
- Chỉ sử dụng thiết bị với bộ nguồn đi kèm với thiết bị.
- Chỉ người có chuyên môn mới được thay thế pin trong thiết bị này.
- Dọn dẹp khu vực cần làm sạch. Không để trẻ em nghịch thiết bị. Giữ khoảng cách an toàn giữa trẻ em và vật nuôi với rô-bốt trong quá trình rô-bốt hoạt động.
- Không lắp đặt, sạc hoặc sử dụng thiết bị trong phòng tắm hoặc xung quanh hồ bơi.
- Sản phẩm này chỉ dùng để lau sàn trong môi trường gia đình. Không sử dụng sản phẩm này ngoài trời, trên các bề mặt không phải sàn hoặc trong môi trường thương mại hoặc công nghiệp.
- Đảm bảo thiết bị hoạt động bình thường trong môi trường thích hợp. Nếu không, không được sử dụng thiết bị.
- Nếu dây nguồn bị hỏng thì phải thay thế bằng dây hoặc bộ phận lắp ráp đặc biệt do nhà sản xuất hoặc đại lý dịch vụ của nhà sản xuất cung cấp.
- Không sử dụng rô-bốt ở khu vực cao hơn mặt đất mà không có hàng rào bảo vệ.
- Không đặt rô-bốt ở tư thế lộn ngược. Không sử dụng vỏ bọc LDS, vỏ bọc rô-bốt hoặc bộ giảm chấn làm tay cầm cho rô-bốt.

Thông tin an toàn

Hạn Chế Sử Dụng

- Sử dụng rô-bốt trong môi trường có nhiệt độ xung quanh từ trên 0°C đến dưới 40°C. Đảm bảo không có chất lỏng hoặc chất dính trên sàn.
- Để tránh bị kéo lê làm hư hỏng hoặc tổn hại, hãy dọn sạch mọi vật không cố định khỏi sàn và tháo dây cáp hoặc dây nguồn nằm trong lộ trình lau dọn trước khi vận hành thiết bị.
- Loại bỏ các vật dụng nhỏ hoặc dễ vỡ khỏi sàn nhà để rô-bốt không va vào và làm hỏng các vật dụng đó.
- Không để tóc, ngón tay và các bộ phận cơ thể gần lỗ hút của rô-bốt.
- Để dụng cụ vệ sinh ngoài tầm với của trẻ em.
- Không vận hành thiết bị trong phòng có trẻ sơ sinh hoặc trẻ em đang ngủ.
- Không đặt trẻ em, vật nuôi hoặc bất kỳ vật dụng nào lên trên rô-bốt bất kể rô-bốt đang đứng yên hay di chuyển.
- Chỉ được đổ nước sạch và dung dịch vệ sinh được phê duyệt chính thức vào ngăn chứa nước sạch. Không thêm bất kỳ dung dịch nào như cồn hoặc chất khử trùng. Có thể kiểm tra tỉ lệ nước lau sàn và nước sạch trên vỏ chai nước lau sàn. Để nước lau sàn cách xa tầm tay trẻ em.
- Không sử dụng rô-bốt để vệ sinh bất kỳ đồ vật đang cháy nào. Không sử dụng rô-bốt để hút chất lỏng dễ cháy hoặc dễ bắt lửa, khí ăn mòn hoặc axit hoặc dung môi chưa pha loãng.
- Không sử dụng thiết bị để hút các vật cứng hoặc sắc nhọn. Không sử dụng thiết bị để hút các vật như đá, mảnh giấy lớn hoặc bất kỳ vật dụng nào có thể làm tắc máy.
- Phải rút phích cắm ra khỏi ổ điện trước khi vệ sinh hoặc bảo trì thiết bị.

Thông tin an toàn

Hạn Chế Sử Dụng

- Không lau rô-bốt hoặc trạm sạc đa chức năng bằng khăn ướt hoặc rửa bằng bất kỳ dung dịch gì. Sau khi vệ sinh các bộ phận có thể rửa được, hãy làm khô hoàn toàn trước khi lắp lại và sử dụng.
- Vui lòng sử dụng sản phẩm này theo hướng dẫn trong Hướng dẫn sử dụng. Người dùng tự chịu trách nhiệm nếu có bất kỳ tổn thất hoặc hư hỏng nào phát sinh do sử dụng sản phẩm sai cách.

Pin và Sạc

- Không sử dụng bất kỳ trạm sạc đa chức năng hoặc pin nào của bên thứ ba. Rô-bốt chỉ có thể sử dụng với trạm sạc đa chức năng mô hình RCLE0305.
- Không tự ý tháo rời, sửa chữa hoặc thay đổi pin hoặc trạm sạc đa chức năng.
- Không đặt trạm sạc đa chức năng gần nguồn nhiệt.
- Không sử dụng khăn ướt hoặc tay ướt để lau hoặc vệ sinh các điểm tiếp xúc sạc của trạm sạc đa chức năng.
- Không thải bỏ pin cũ sai cách. Pin không dùng phải được loại bỏ tại một cơ sở tái chế thích hợp.
- Nếu dây nguồn bị hỏng hoặc đứt, hãy ngừng sử dụng ngay lập tức và liên hệ với bộ phận dịch vụ hậu mãi.
- Đảm bảo tắt rô-bốt khi vận chuyển và để trong bao bì đóng gói ban đầu nếu còn.
- Nếu không sử dụng rô-bốt trong một thời gian dài, hãy sạc đầy pin, sau đó tắt và cất ở nơi khô ráo, thoáng mát. Sạc lại rô-bốt ít nhất một lần mỗi 3 tháng để tránh việc xả pin quá mức.

Thông tin an toàn

Thông tin an toàn laser

· Cảm biến laser trong sản phẩm này đáp ứng Tiêu chuẩn IEC 60825-1:2014/EN 60825-1:2014/A11:2021 dành cho sản phẩm laser Loại 1. Vui lòng tránh tiếp xúc trực tiếp bằng mắt với cảm biến trong quá trình sử dụng.

SẢN PHẨM LASER LOẠI 1

SẢN PHẨM LASER DÀNH CHO NGƯỜI TIÊU DÙNG

Tiêu chuẩn EN 50689:2021



Chỉ sử dụng trong nhà



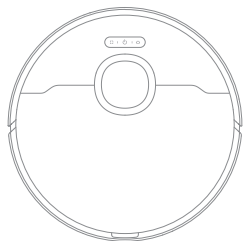
Đọc hướng dẫn sử dụng

Bằng văn bản này, Dreame Trading (Tianjin) Co., Ltd. tuyên bố loại thiết bị vô tuyến RLL22SE tuân thủ Chỉ thị 2014/53/EU. Xem toàn văn tuyên bố tuân thủ EU theo địa chỉ: <https://global.dreameotech.com>

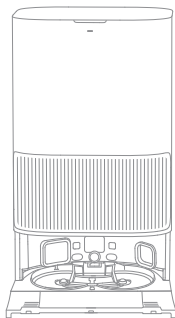
Để biết hướng dẫn sử dụng điện tử chi tiết, vui lòng truy cập <https://global.dreameotech.com/pages/user-manuals-and-faqs>

VI Tổng Quan Về Sản Phẩm

Thành phần trong bao bì

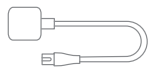


Rô-bốt



Trạm sạc đa chức năng

Các phụ kiện khác



Dây Nguồn



Tấm tạo dốc cho trạm sạc đa chức năng



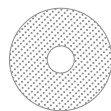
Hướng dẫn sử dụng



Ngăn chứa chất tẩy rửa tự động (được lắp sẵn)



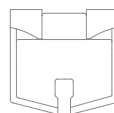
Túi đựng bụi × 2 (1 được lắp sẵn)



Giẻ lau × 2 (được lắp sẵn)



Giá đỡ giẻ lau sàn × 2



Bộ lọc khay giặt (được lắp sẵn)



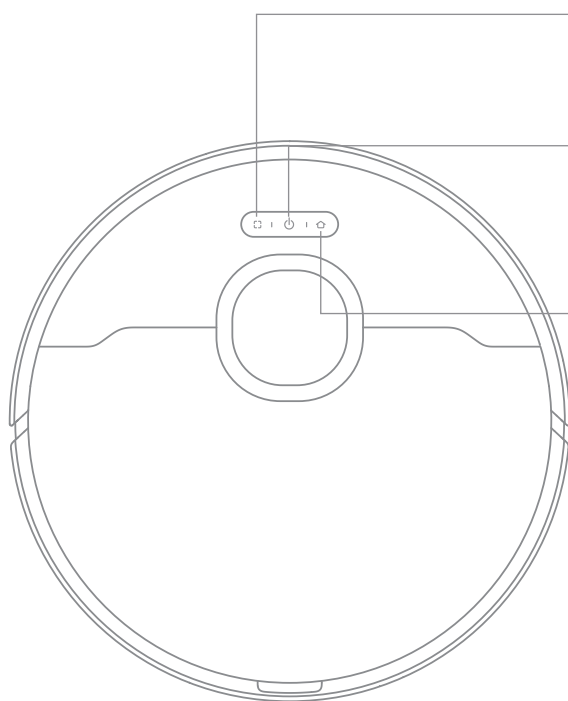
Nước lau sàn



Dụng cụ vệ sinh

Tổng Quan Về Sản Phẩm

Rô-bốt



□ Nút lau dọn tập trung

- Nhấn để bắt đầu lau dọn theo điểm

○ Nút Nguồn / Lau dọn

- Nhấn giữ trong 3 giây để bật hoặc tắt
- Nhấn để bắt đầu lau dọn sau khi bật rô-bốt

⌂ Nút Trạm sạc

- Nhấn để gửi rô-bốt trở lại trạm sạc
- Nhấn giữ trong 3 giây để tắt Khóa trẻ em

Đèn báo trạng thái

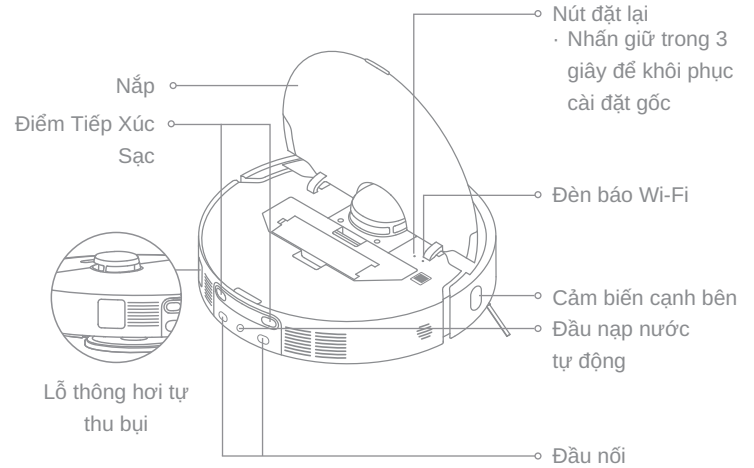
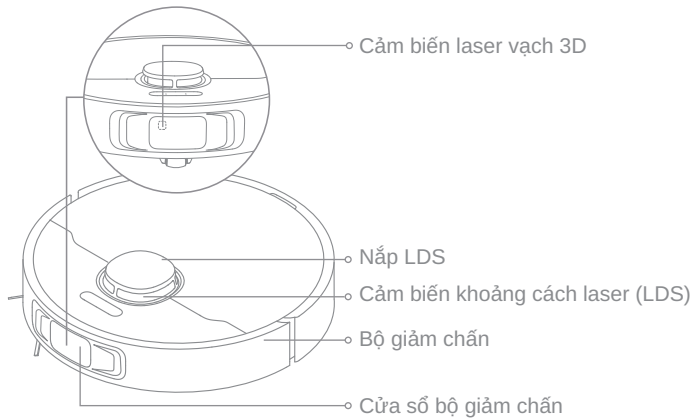
- Màu trắng: Đã vệ sinh hoặc dọn dẹp xong
- Màu trắng nháy chậm: Đang sạc (không phải pin yếu)
- Màu cam sáng đều: Trạng thái đợi khi pin yếu hoặc tạm dừng khi pin yếu
- Màu cam nháy chậm: Đang sạc (pin yếu)
- Màu cam nhấp nháy: Lỗi

Lưu ý:

- Nhấn bất kỳ nút nào trên rô-bốt để tạm dừng khi rô-bốt đang lau dọn hoặc quay lại để sạc.
- Có thể bật/tắt Khóa trẻ em trên Ứng dụng Dreamehome.

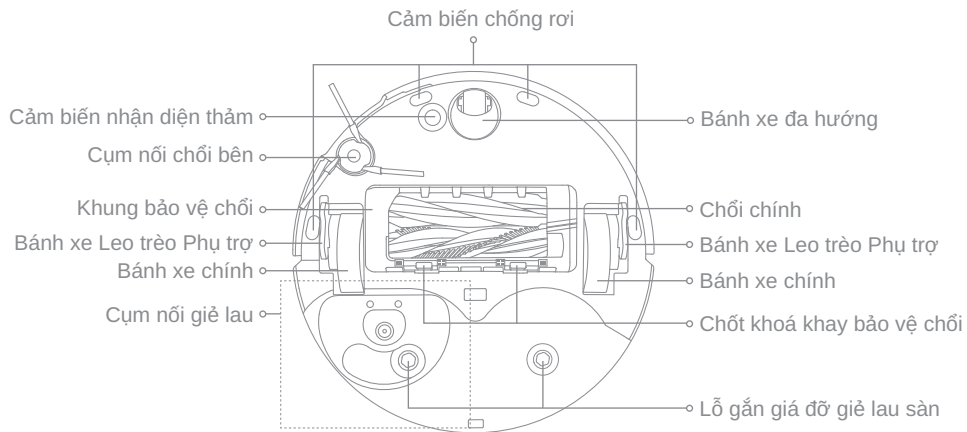
VI Tổng Quan Về Sản Phẩm

Rô-bốt và Cảm biến

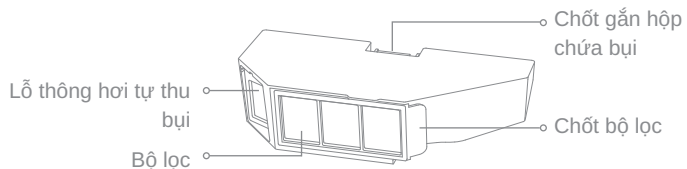


Tổng Quan Về Sản Phẩm

Rô-bốt và Cảm biến



Hộp chứa bụi

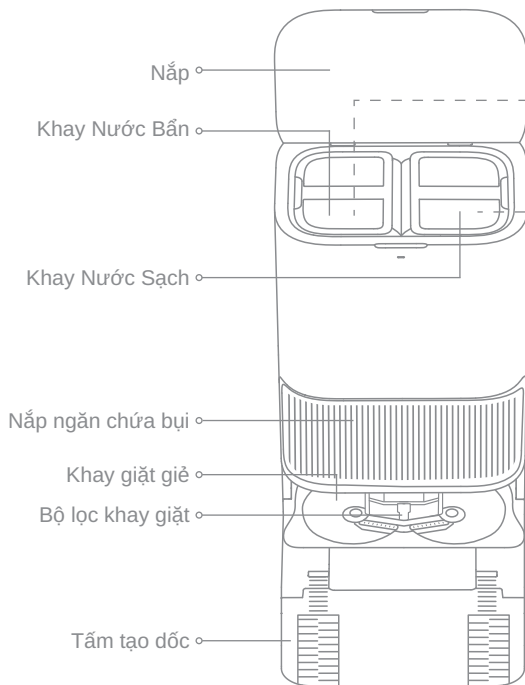


Cụm lau nhà

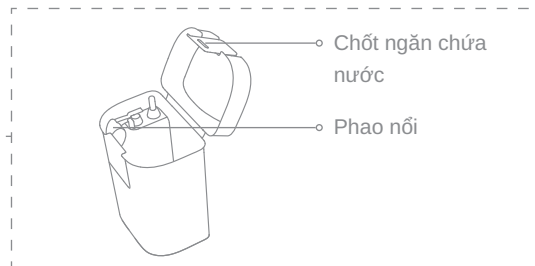


VI Tổng Quan Về Sản Phẩm

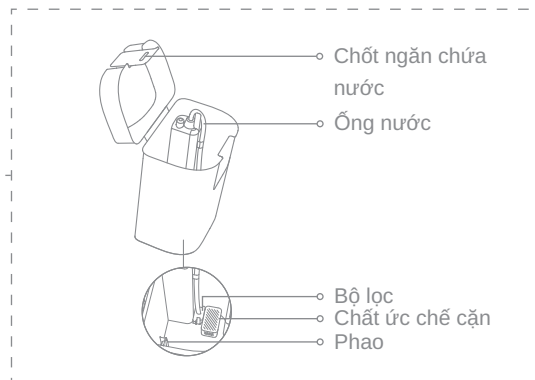
Trạm sạc đa chức năng



Khay Nước Bẩn

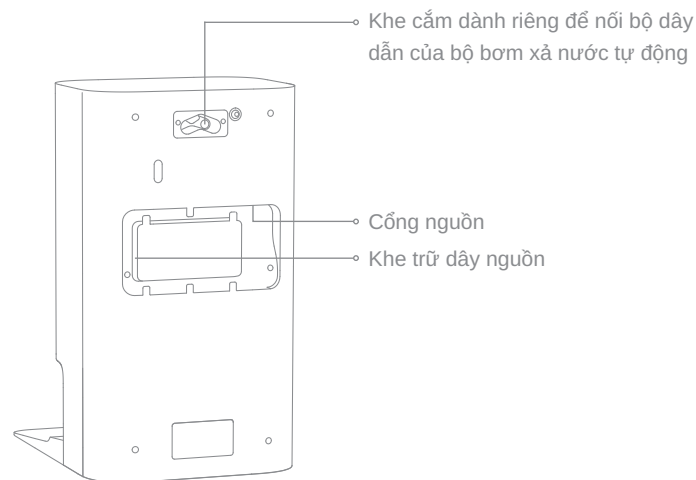
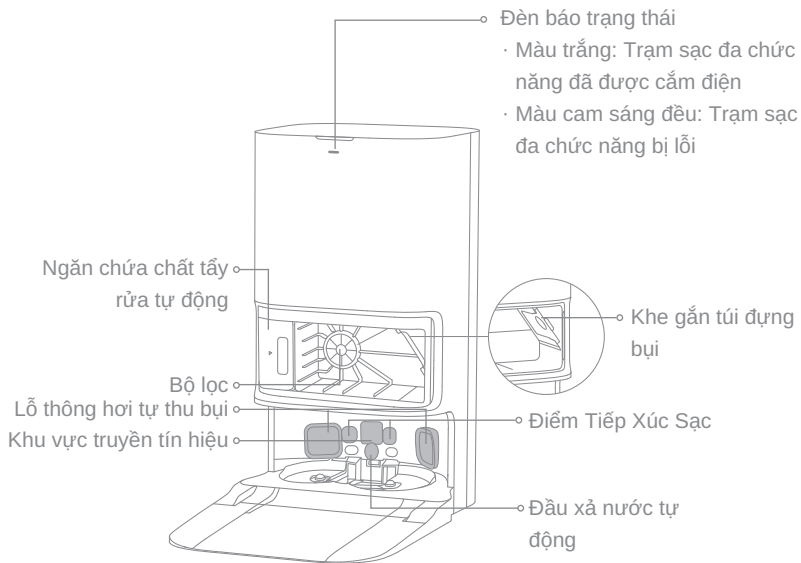


Khay Nước Sạch



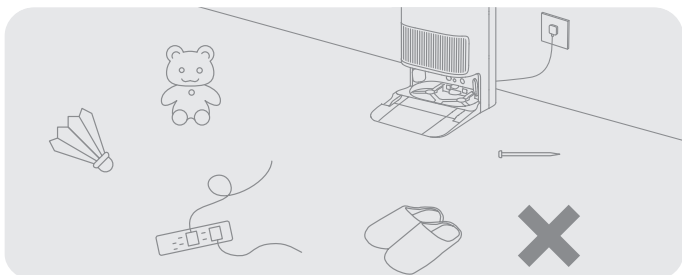
Tổng Quan Về Sản Phẩm

Trạm sạc đa chức năng

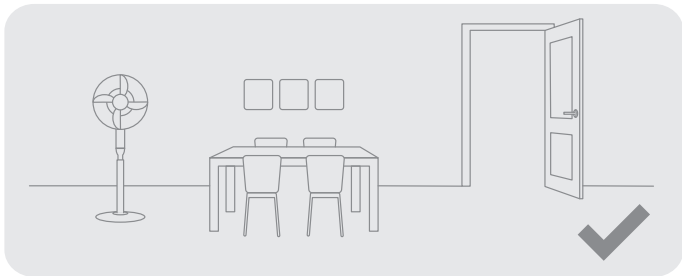


Lưu ý: Cần mua riêng bộ dây dẫn nước để tự động nạp và xả nước. (Chỉ cung cấp sẵn ở một số khu vực cụ thể)

Thu dọn nhà cửa



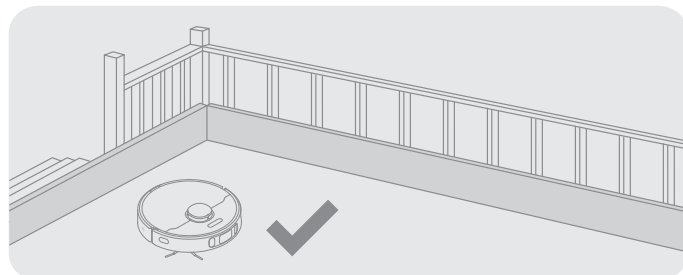
Trước khi lau sàn, vui lòng cất những món đồ rải rác trên sàn, hàng dễ vỡ, đồ vật giá trị hoặc có khả năng gây nguy hiểm. Đồng thời thu dọn dây cáp, đồ chơi, vật cứng và các vật sắc nhọn ra khỏi mặt đất để tránh làm vướng rô-bốt hoặc bị va chạm gây trầy xước, va đập, hư hỏng sản phẩm.



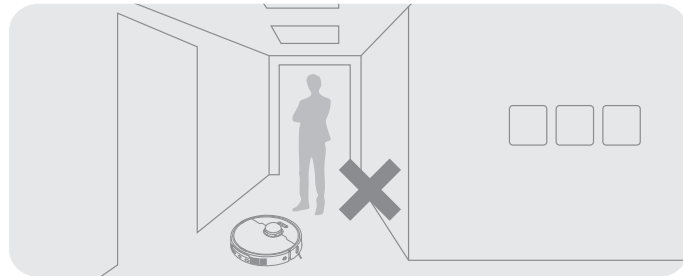
Mở cửa phòng cần lau dọn và xếp đồ đạc vào đúng chỗ để có nhiều không gian hơn.

Lưu ý:

- Khi vận hành rô-bốt lần đầu tiên, hãy đi theo khi rô-bốt làm sạch để kịp thời loại bỏ mọi chướng ngại vật.
- Không để rô-bốt hút các vật cứng như đá, bi thép, các mảnh đồ chơi hoặc các vật sắc nhọn như phế thải xây dựng, mảnh kính vỡ và đinh, nếu không có thể làm trầy xước sàn nhà.



Trước khi lau dọn, hãy đặt rào chắn vật lý ở mép cầu thang để đảm bảo rô-bốt vận hành an toàn và trơn tru.

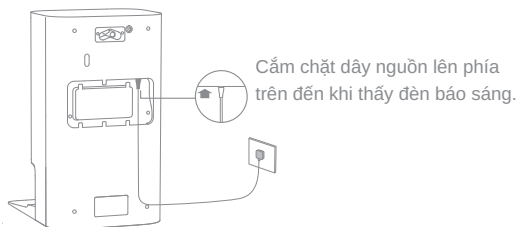
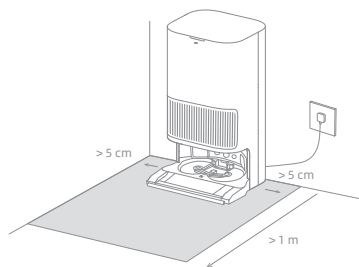


Không đứng phía trước rô-bốt, bậc cửa, hành lang hoặc những nơi chật hẹp để tránh việc rô-bốt không nhận diện được khu vực cần lau dọn.

Trước khi sử dụng

1. Đặt trạm sạc đa chức năng và Kết nối với ổ cắm điện

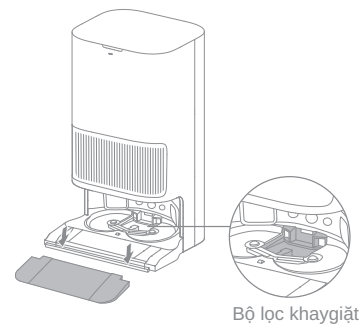
Đặt trạm sạc đa chức năng ở vị trí thoáng nhất và có tín hiệu Wi-Fi tốt. Chừa đủ khoảng trống như trong hình và loại bỏ mọi vật dụng trong vùng tô bóng. Cắm dây nguồn vào trạm sạc đa chức năng và cắm vào ổ điện.



Lưu ý:

- Đảm bảo không để vật cản ở khu vực truyền tín hiệu.
- Đặt trạm sạc đa chức năng trên sàn gạch hoặc sàn đá cẩm thạch để tránh vết nước làm ướt sàn gỗ hoặc thảm.

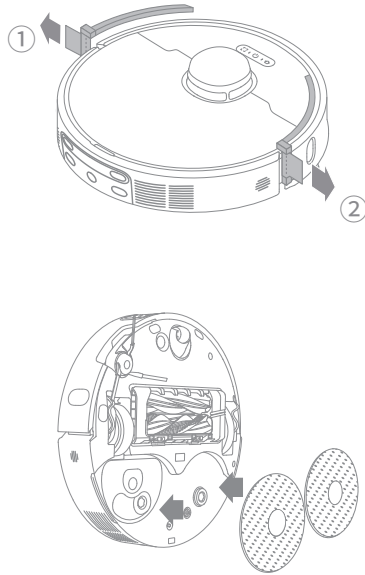
2. Lắp Tấm tạo dốc



Lưu ý: Đảm bảo bộ lọc khay giặt đã được lắp đúng vị trí.

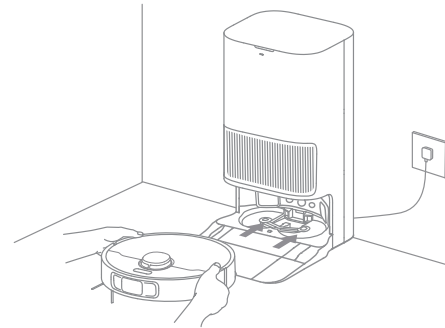
Trước khi sử dụng

3. Tháo vỏ bọc rô-bốt và lắp Cùm lau nhà



4. Kết nối rô-bốt với trạm sạc đa chức năng

Nhấn và giữ nút nguồn trên rô-bốt trong 3 giây để bật máy. Đặt rô-bốt lên trạm sạc đa chức năng sao cho cùm lau nhà hướng về phía khay giặt. Sau đó, bạn sẽ nghe thấy thông báo bằng giọng nói khi rô-bốt kết nối thành công với trạm sạc. Sau khi rô-bốt đã sạc đầy pin, đèn báo trạng thái trên rô-bốt và trạm sạc sẽ sáng trong 10 phút rồi mờ dần.

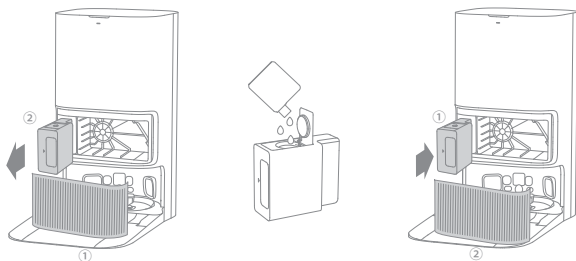


Lưu ý: Bạn nên sạc đầy rô-bốt ở lần đầu sử dụng. Khi không thể bật rô-bốt sau khi hết pin, hãy tự kết nối rô-bốt với trạm sạc.

Trước khi sử dụng

5. Thêm Nước lau sàn

- (1) Tháo nắp ngăn chứa bụi và kéo ngăn chứa chất tẩy rửa tự động ra.
- (2) Mở nắp trên của ngăn chứa và thêm dung dịch vệ sinh.
- (3) Đóng nắp ngăn lại, đặt lại vào trạm sạc đa chức năng, sau đó lắp lại nắp ngăn chứa bụi. nước lau sàn sẽ được tự động thêm khi máy hoạt động.

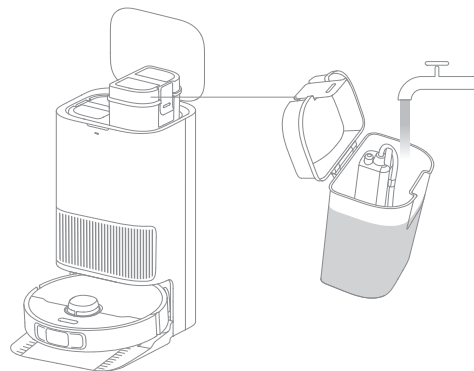


Lưu ý:

- Ngăn chứa chất tẩy rửa tự động có thể được đổ đầy nước lau sàn để sử dụng. Không đổ bất kỳ chất lỏng nào khác ngoài nước lau sàn đã được phê duyệt chính thức để ngăn ngừa sự cố.
- Lắp ngăn chứa chất tẩy rửa tự động vào vị trí cho đến khi nghe thấy tiếng "tách".

6. Thêm nước vào Ngăn chứa nước sạch

Lấy ngăn chứa nước sạch ra khỏi trạm sạc đa chức năng và đổ đầy bằng nước sạch. Sau đó lắp lại vào trạm sạc đa chức năng.

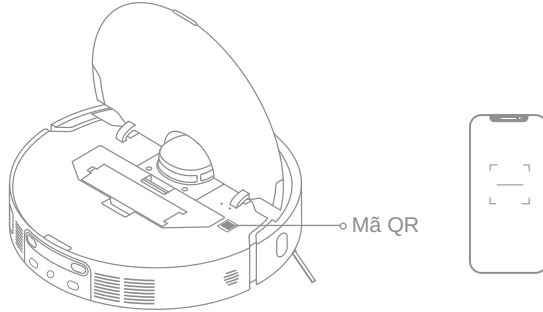


Lưu ý: Không thêm nước nóng vào ngăn chứa nước vì có thể làm ngăn chứa nước bị biến dạng.

Kết nối với ứng dụng Dreamehome

1. Tải ứng dụng Dreamehome

Quét mã QR trên rô-bốt hoặc tìm kiếm "Dreamehome" trong cửa hàng ứng dụng để tải và cài đặt ứng dụng.

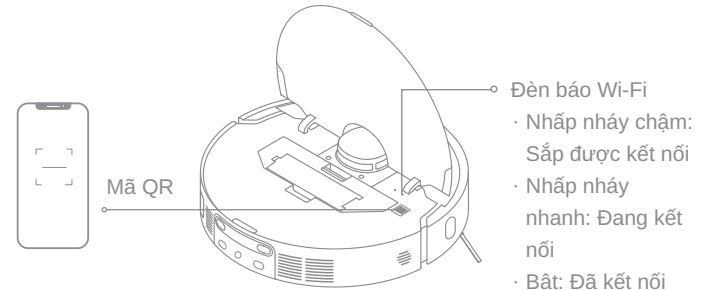


Lưu ý:

- Chỉ hỗ trợ Wi-Fi 2,4 GHz.
- Do phần mềm ứng dụng có các bản nâng cấp nên hoạt động thực tế có thể khác với hướng dẫn trong hướng dẫn sử dụng này. Vui lòng làm theo hướng dẫn theo phiên bản ứng dụng hiện tại.

2. Thêm thiết bị

Mở ứng dụng Dreamehome, chọn "Quét mã QR để kết nối" và quét lại mã QR đó trên rô-bốt để thêm thiết bị. Vui lòng làm theo lời nhắc để hoàn tất kết nối Wi-Fi.



Lưu ý:

- Để đặt lại Wi-Fi, hãy lặp lại bước 2 rồi làm theo lời nhắc để hoàn tất kết nối Wi-Fi.
- Để ngắt kết nối thiết bị khỏi mạng Wi-Fi, nhấn và giữ nút Reset trên rô-bốt trong 3 giây.

Cách Sử Dụng

Bật/Tắt

Nhấn và giữ nút nguồn trong 3 giây để bật rô-bốt. Đèn báo nguồn vẫn sẽ sáng. Hoặc đặt rô-bốt lên trạm nguồn bằng cách căn chỉnh điểm tiếp xúc sạc của rô-bốt phù hợp với điểm tiếp xúc sạc của trạm sạc, sau đó rô-bốt sẽ tự động bật và bắt đầu sạc. Để tắt rô-bốt, hãy đưa rô-bốt ra khỏi trạm sạc đa chức năng rồi nhấn và giữ nút nguồn trong 3 giây.

Lập bản đồ nhanh

Sau khi định cấu hình mạng lần đầu tiên, hãy làm theo hướng dẫn trên ứng dụng để nhanh chóng thiết lập bản đồ. Rô-bốt sẽ bắt đầu lập bản đồ mà không lau dọn. Khi rô-bốt quay trở lại trạm sạc đa chức năng, quá trình lập bản đồ đã hoàn tất và bản đồ sẽ được lưu tự động.

Tạm dừng/Ngủ

Khi rô-bốt đang chạy, nhấn nút bất kỳ để tạm dừng.

Nếu rô-bốt bị tạm dừng hơn 10 phút sẽ tự động chuyển sang chế độ ngủ. Tất cả đèn báo trên rô-bốt sẽ tắt. Nhấn nút bất kỳ trên rô-bốt hoặc sử dụng ứng dụng để đánh thức rô-bốt.

Lưu ý: Nếu rô-bốt đang tạm dừng, khi đưa về trạm sạc đa chức năng, thì tiến trình lau dọn gần nhất sẽ kết thúc.

Tự động tiếp tục lau dọn

Nếu pin quá yếu, rô-bốt sẽ tự động quay trở lại trạm sạc đa chức năng để sạc. Sau khi sạc đến mức pin thích hợp, rô-bốt sẽ tiếp tục các công việc lau dọn đang dở.

Lưu ý: Để sử dụng chức năng này, vui lòng cho phép trong ứng dụng.


Chế độ Không làm phiền (DND)

Khi rô-bốt vào chế độ Không làm phiền (DND), rô-bốt sẽ ngừng quá trình tiếp tục dọn dẹp. Chế độ DND bị tắt theo mặc định. Bạn có thể sử dụng ứng dụng để bật chế độ DND hoặc chỉnh sửa khung giờ DND. Khung giờ DND mặc định từ 22:00 giờ đêm-8:00 giờ sáng.

Lưu ý:

- Các nhiệm vụ dọn dẹp đã lên lịch vẫn sẽ được thực hiện như thường trong khung giờ bật chế độ DND.
- Rô-bốt sẽ tiếp tục lau dọn từ vị trí đã dừng lại sau khi kết thúc chế độ DND.

Lau dọn theo điểm

Khi rô-bốt đang ở trạng thái đợi, hãy nhấn nhanh nút  để kích hoạt chế độ làm sạch theo điểm. Ở chế độ này, rô-bốt làm sạch khu vực hình vuông xung quanh có diện tích 1,5 x 1,5 mét và quay trở lại điểm xuất phát sau khi hoàn tất tiến trình làm sạch theo điểm.

Khởi động lại Rô-bốt

Nếu rô-bốt ngừng phản hồi hoặc không thể tắt, nhấn và giữ nút nguồn trong 10 giây để buộc rô-bốt phải tắt. Sau đó, nhấn và giữ nút nguồn trong 3 giây để bật rô-bốt.

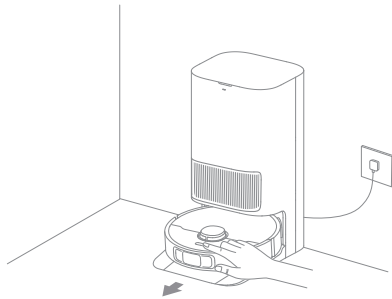
Cách Sử Dụng

Hút bụi và Lau sàn

Lưu ý: Khi lần đầu tiên sử dụng cụm lau nhà, rô-bốt sẽ thực hiện nhiệm vụ “Quét và Lau nhà” theo mặc định.

1. Bắt Đầu Làm Sạch

Nhấn nút nguồn trên rô-bốt hoặc sử dụng ứng dụng để rô-bốt khởi động từ trạm sạc đa chức năng. Sau đó, rô-bốt sẽ lập lộ trình lau dọn tối ưu và thực hiện nhiệm vụ vệ sinh theo bản đồ đã tạo.

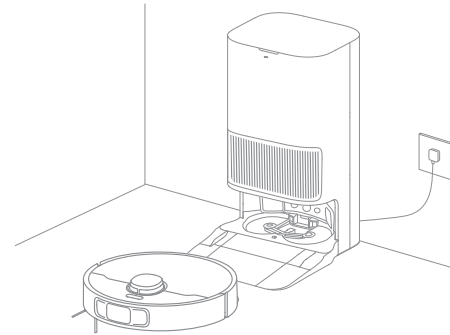


Lưu ý:

- Để đảm bảo rô-bốt dễ dàng quay trở lại trạm sạc đa chức năng sau khi lau dọn, bạn nên để rô-bốt khởi động từ trạm sạc đa chức năng.
- Các giẻ lau sẽ được vệ sinh trước khi rô-bốt bắt đầu lau, vui lòng kiên nhẫn chờ đợi.
- Không di chuyển trạm sạc, khay nước sạch, khay nước bẩn hoặc bộ lọc khay giặt khi rô-bốt đang hoạt động.
- Có thể bật tính năng làm sạch bằng nước nóng trong ứng dụng đối với các tác vụ giặt giẻ lau, áp dụng cho tất cả các chế độ. Để tránh bị bỏng, không chạm vào lỗ thoát nước khi đang bật chức năng này.

2. Tự động giặt giẻ lau

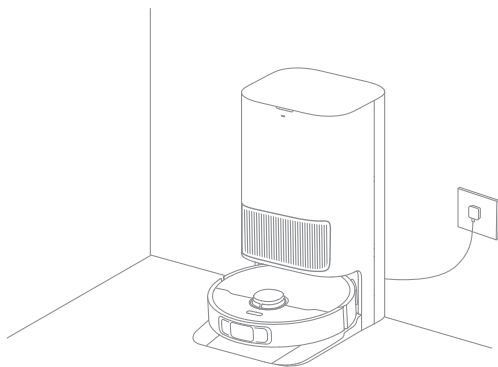
Khi lau dọn, rô-bốt sẽ tự động quay trở lại trạm sạc đa chức năng để giặt giẻ lau theo tần suất làm sạch được cài đặt trên ứng dụng. Trạm sạc đa chức năng sẽ tự động đổ đầy ngăn chứa nước và tiếp tục lau dọn.



Cách Sử Dụng

3. Tự động đổ hộp chứa bụi, sau đó giặt và sấy khô giẻ lau nhà

Sau khi rô-bốt hoàn thành nhiệm vụ lau dọn và quay trở lại trạm để sạc, trạm sạc sẽ bắt tự động làm sạch hộp chứa bụi, sau đó giặt và sấy khô giẻ lau nhà.



Lưu ý:

- Nếu tắt chức năng tự động đổ bụi trong ứng dụng, trạm sạc đa chức năng sẽ không tự động đổ bụi trong hộp chứa bụi.
- Trạm sạc đa chức năng sẽ đổ bụi trong hộp chứa bụi theo cài đặt trong ứng dụng.

4. Vệ sinh ngăn chứa nước bẩn

Sau khi rô-bốt hoàn thành nhiệm vụ, vui lòng vệ sinh ngăn chứa nước bẩn để tránh gây mùi hôi.

Lau sàn sau khi Hút bụi

Bật chức năng "Lau sau khi hút bụi" trong ứng dụng và rô-bốt sẽ tự động tháo cụm lau nhà trên trạm sạc đa chức năng để hút bụi sàn. Sau khi hút bụi xong, rô-bốt sẽ quay trở lại trạm sạc để lắp giẻ lau nhà và trạm sạc sẽ tự động đổ bụi trong hộp chứa bụi. Sau đó, rô-bốt sẽ bắt đầu lau sau khi nâng chổi bên lên.

Chỉ hút bụi

Bật chức năng "Hút bụi" trong ứng dụng và rô-bốt sẽ tự động tháo cụm lau nhà để lại trạm sạc đa chức năng và bắt đầu hút bụi.

Chỉ lau nhà

Bật chức năng "Lau nhà" trong ứng dụng và rô-bốt sẽ tự động kiểm tra xem cụm lau nhà đã được lắp trên trạm sạc đa chức năng chưa. Nếu chưa lắp, rô-bốt sẽ lắp cụm lau nhà và bắt đầu lau sau khi nâng chổi bên lên.

Bảo dưỡng định kỳ

Các bộ phận

Để đảm bảo rô-bốt luôn ở tình trạng tốt, bạn nên tham khảo cách sử dụng phụ kiện trong ứng dụng hoặc bảng sau để bảo dưỡng định kỳ.

Bộ phận	Tần suất bảo trì	Thời gian thay thế
Khay nước bẩn	Sau mỗi lần sử dụng	/
Khay nước sạch	2 tuần một lần	
Chối chính		6 đến 12 tháng một lần
Bộ lọc hộp chứa bụi		3 đến 6 tháng một lần
Chối bên		/
Giá đỡ giẻ lau sàn		
Bộ lọc khay giặt		
Khu vực truyền tín hiệu trên trạm sạc đa chức năng	Mỗi tháng một lần	/
Điểm tiếp xúc sạc		
Lỗ thông hơi tự thu bụi		
Bánh xe đa hướng		
Cảm biến cạnh bên		
Cảm biến khoảng cách laser (LDS)		
Cảm biến laser vạch 3D		
Cảm biến nhận diện thảm		
Cảm biến chống rơi		

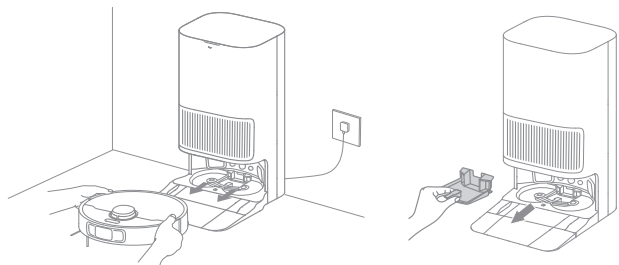
Bộ phận	Tần suất bảo trì	Thời gian thay thế
Cửa sổ bộ giảm chấn	Mỗi tháng một lần	/
Bộ giảm chấn		
Đầu nạp nước tự động của rô-bốt		
Mặt bên dưới của rô-bốt		
Hộp chứa bụi	Vệ sinh khi cần thiết	
Bánh xe chính		
Bánh xe leo trèo phụ trợ		
Túi đựng bụi	/	2 đến 4 tháng một lần
Giẻ lau sàn		1 đến 3 tháng một lần
Chất ức chế cặn		18 đến 36 tháng một lần

Lưu ý: Tần suất bảo trì và thay thế sẽ phụ thuộc vào mức độ sử dụng thực tế. Nếu xảy ra trường hợp ngoại lệ do hoàn cảnh đặc biệt thì bạn nên thay thế các bộ phận.

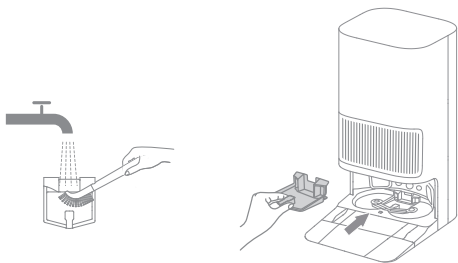
Bảo dưỡng định kỳ


Bộ lọc khay giặt

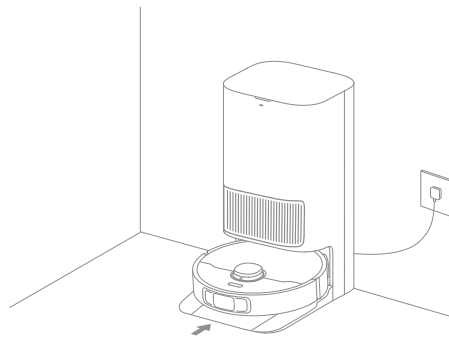
1. Lấy rô-bốt ra ngoài và tháo bộ lọc khay giặt sau khi hoàn tất vệ sinh giẻ lau nhà.



2. Rửa bộ lọc khay giặt với nước sạch, lau sạch rồi lắp lại vào khay giặt.



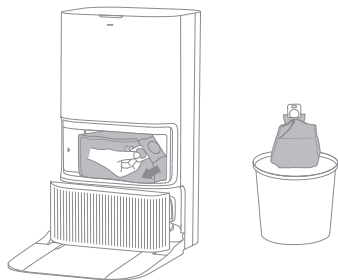
3. Sử dụng ứng dụng hoặc nhấn nút  để đưa rô-bốt trở lại trạm sạc đa chức năng hoặc tự tay đưa rô-bốt trở lại.



Bảo dưỡng định kỳ

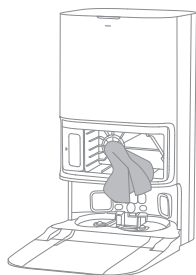
Túi đựng bụi

1. Tháo nắp ngăn chứa bụi và loại bỏ túi đựng bụi.

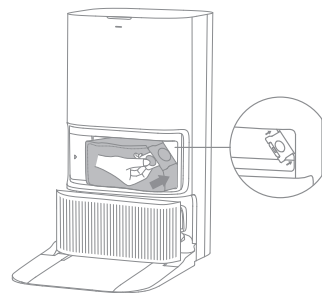


Lưu ý: Kéo tay cầm lên trên để buộc kín túi nhằm ngăn bụi và mảnh vụn vô tình rơi ra ngoài.

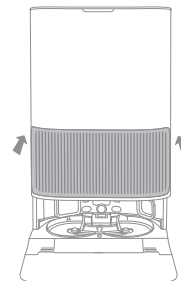
2. Loại bỏ bụi và mảnh vụn ra khỏi bộ lọc bằng vải khô.



3. Lắp túi đựng bụi mới.



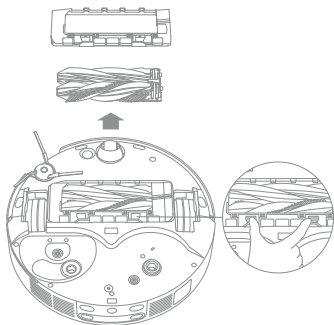
4. Lắp lại nắp ngăn chứa bụi.



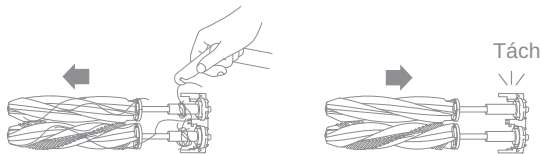
Bảo dưỡng định kỳ

Chổi chính

1. Nhấn chốt khoá khay bảo vệ chổi vào trong để tháo khay bảo vệ chổi rồi nhắc chổi ra khỏi rô-bốt.

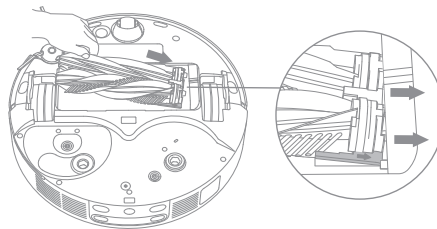


2. Lấy các chổi ra như trong hình. Sử dụng dụng cụ vệ sinh đi kèm để gỡ tất cả tóc rối dính vào chổi. Sau khi làm sạch, nhấn các chổi chắc chắn vào giá đỡ chổi chính tới khi chúng vào đúng vị trí.

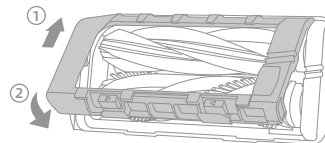


Lưu ý: Cẩn thận khi lấy các chổi chính ra để tránh bị thương.

3. Theo các mũi tên in hướng lên trên, lắp giá đỡ chổi chính vào các khe theo hướng nghiêng xuống dưới.



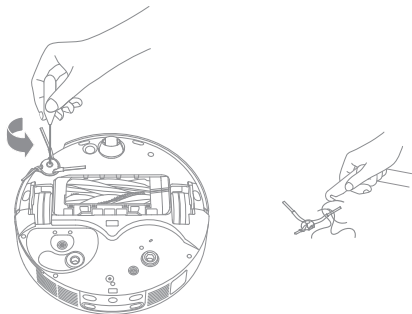
4. Căn chỉnh phía trước của khung bảo vệ chổi phù hợp với khay, lắp theo hướng nghiêng xuống dưới rồi nhấn khung vào đúng vị trí.



Bảo dưỡng định kỳ

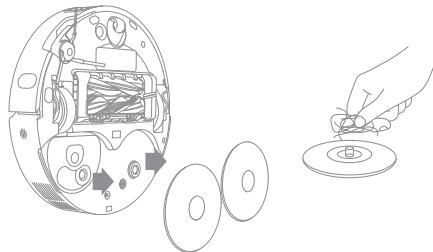
Chổi bên

Tháo chổi bên bằng tuốc nơ vít, dọn sạch tóc khỏi chổi rồi vận lại.

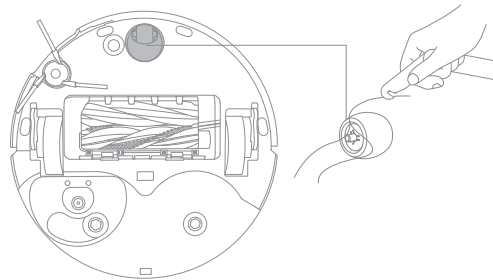


Giá đỡ giẻ lau sàn

Tháo và vệ sinh Giá đỡ giẻ lau sàn.



Bánh xe đa hướng



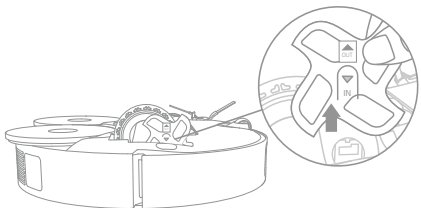
Lưu ý:

- Dùng dụng cụ như tuốc nơ vít nhỏ để tách trục và lớp của bánh xe đa hướng.
- Không dùng lực quá mạnh.
- Vệ sinh bánh xe đa hướng dưới vòi nước chảy và lắp lại sau khi khô hoàn toàn.

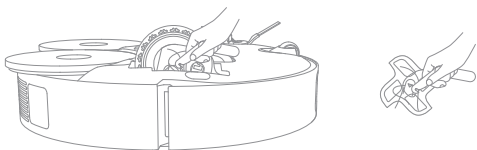
Bảo dưỡng định kỳ

Bánh xe Leo trèo Phụ trợ và Bánh xe chính

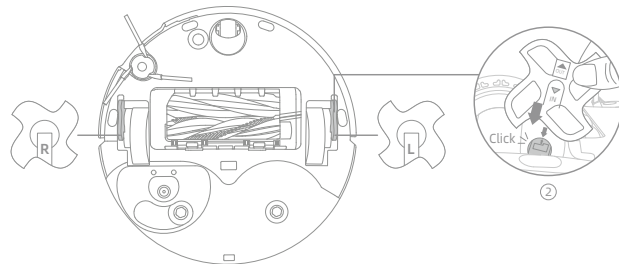
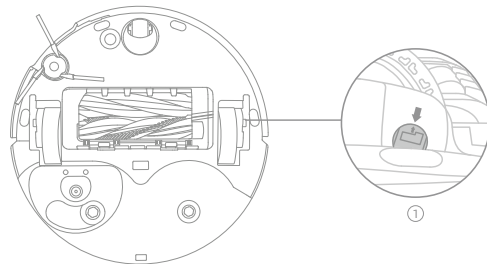
1. Xoay bánh xe leo phụ cho đến khi mũi tên "OUT" hướng lên trên, sau đó kéo bánh xe ra.



2. Sử dụng một công cụ thích hợp để làm sạch tóc rối trong bánh xe chính và bánh xe leo trèo phụ trợ.



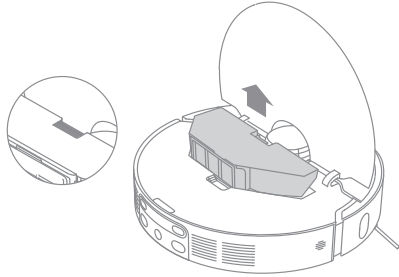
3. Sau khi làm sạch, xoay bánh xe chính để căn chỉnh hai mũi tên (xem Hình ①). Sau đó, với mũi tên "IN" hướng xuống dưới, lắp bánh xe leo phụ bên trái và bên phải cho đến khi chúng khớp vào đúng vị trí. (xem Hình ②).



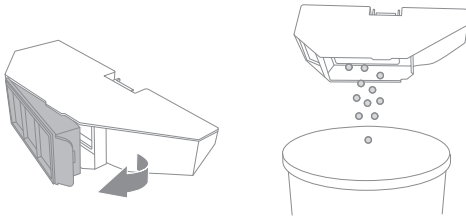
Bảo dưỡng định kỳ

Hộp chứa bụi và bộ lọc

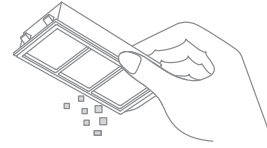
1. Mở nắp rô-bốt và nhấn chốt để tháo hộp chứa bụi.



2. Tháo bộ lọc hộp chứa bụi rồi đổ bụi trong hộp chứa bụi.

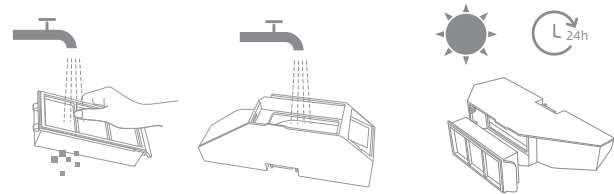


3. Gỡ nhẹ vào phần hộp chứa bụi của bộ lọc để loại bỏ bụi bẩn.



Lưu ý: Không cố làm sạch bộ lọc bằng bàn chải, ngón tay hoặc vật sắc nhọn để tránh hư hỏng.

4. Rửa hộp chứa bụi và bộ lọc bằng nước rồi để khô hoàn toàn trước khi lắp lại.



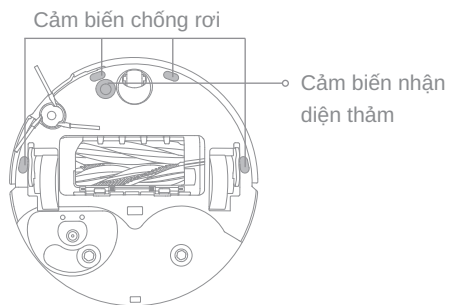
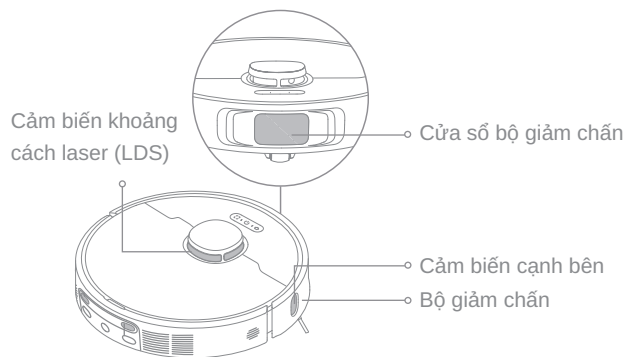
Lưu ý:

- Chỉ rửa hộp chứa bụi và bộ lọc bằng nước sạch. Không sử dụng bất kỳ chất tẩy rửa gì.
- Chỉ sử dụng hộp chứa bụi và bộ lọc khi đã khô hoàn toàn.

Bảo dưỡng định kỳ

Cảm biến của rô-bốt

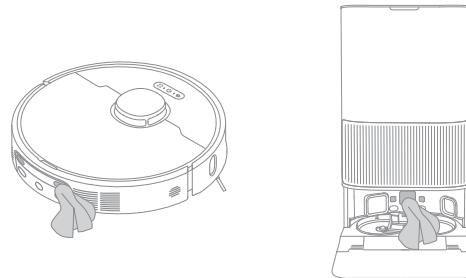
Lau cảm biến của rô-bốt bằng vải mềm và khô như trong hình dưới đây:



Lưu ý: Vải ướt có thể làm hỏng các bộ phận nhạy cảm bên trong rô-bốt và trạm sạc đa chức năng. Vui lòng sử dụng vải khô để vệ sinh.

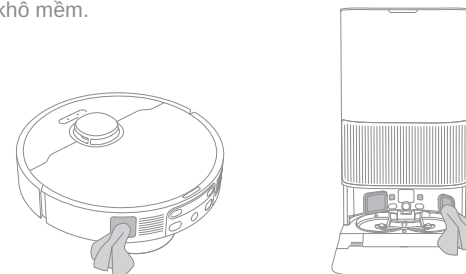
Điểm tiếp xúc sạc và Khu vực truyền tín hiệu

Làm sạch các điểm tiếp xúc sạc và khu vực truyền tín hiệu bằng vải khô mềm.



Lỗ thông hơi tự thu bụi

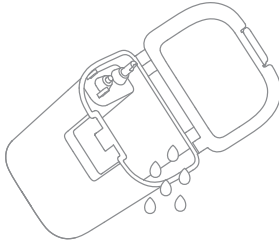
Làm sạch lỗ thông hơi tự thu bụi của rô-bốt và trạm sạc đa chức năng bằng vải khô mềm.



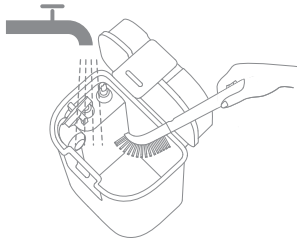
Bảo dưỡng định kỳ

Khay Nước Bắn

1. Tháo ngăn chứa nước bắn, mồi nắp và đổ nước bắn ra ngoài.



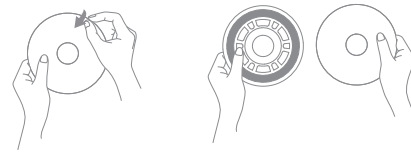
2. Rửa ngăn chứa nước bắn bằng nước sạch và dùng dụng cụ vệ sinh đi kèm để vệ sinh thành trong của ngăn chứa nước bắn.



Lưu ý: Phao nổi trong ngăn chứa nước bắn là bộ phận có thể tháo rời được. Không dùng lực quá mạnh khi vệ sinh máy để tránh hư hỏng.

Giẻ lau sàn

Tháo giẻ lau ra khỏi khay giữ để thay mới.



Pin

Rô-bốt sử dụng bộ pin lithium-ion hiệu suất cao. Đảm bảo sạc đầy pin để sử dụng hàng ngày nhằm duy trì hiệu suất tối ưu của pin. Nếu không sử dụng trong thời gian dài, hãy tắt nguồn và cất rô-bốt ở nơi thoáng mát. Để tránh gây hư hỏng do hết pin quá lâu, hãy sạc rô-bốt ít nhất ba tháng một lần.

Xử Lý Sự Cố

Vấn đề	Biện Pháp Xử Lý
Không bật được rô-bốt.	Pin yếu. Sạc pin cho rô-bốt trên đế và thử lại. Nhiệt độ pin quá thấp hoặc quá cao. Khuyến nghị vận hành thiết bị ở nhiệt độ từ 0°C (32°F) đến 40°C (104°F).
Sạc rô-bốt không vào.	Trạm sạc đa chức năng chưa được cắm điện, vui lòng đảm bảo cắm cả hai đầu dây nguồn của trạm sạc đa chức năng đúng cách. Nếu tiếp xúc giữa các điểm tiếp xúc sạc trên trạm sạc đa chức năng và rô-bốt kém, vui lòng vệ sinh các điểm tiếp xúc sạc. Kiểm tra dị vật trên đầu nối rô-bốt và loại bỏ nếu có.
Rô-bốt không kết nối được với Wi-Fi.	Mật khẩu mạng Wi-Fi không chính xác. Đảm bảo nhập đúng mật khẩu sử dụng để kết nối với mạng Wi-Fi. Rô-bốt không hỗ trợ kết nối Wi-Fi 5 GHz. Đảm bảo đã kết nối rô-bốt với mạng Wi-Fi 2,4 GHz. Tín hiệu Wi-Fi yếu. Đảm bảo rô-bốt đang ở trong khu vực có vùng phủ sóng Wi-Fi tốt. Rô-bốt có thể chưa sẵn sàng để thiết lập cấu hình. Vui lòng thoát ra và vào lại ứng dụng, sau đó thử lại theo hướng dẫn.
Rô-bốt không xác định được vị trí và quay lại trạm sạc đa chức năng.	Trạm sạc đa chức năng bị ngắt điện hoặc bị di chuyển khi rô-bốt không có ở đó. Vui lòng kết nối trạm sạc đa chức năng với nguồn điện hoặc đặt rô-bốt lên trạm sạc đa chức năng để sạc. Có quá nhiều chướng ngại vật xung quanh trạm sạc đa chức năng. Đặt trạm sạc đa chức năng ở khu vực thoáng hơn. Di chuyển rô-bốt có thể khiến rô-bốt phải tự định vị lại và tạo lại bản đồ nếu định vị không thành công. Rô-bốt có thể không tự động quay lại nếu ở quá xa trạm sạc đa chức năng, trong trường hợp đó, bạn sẽ cần tự đặt rô-bốt trở lại. Lau khu vực truyền tín hiệu trên trạm sạc đa chức năng để loại bỏ bụi hoặc mảnh vụn.
Rô-bốt bị kẹt trước trạm sạc đa chức năng và không quay lại được trạm sạc đa chức năng.	Kiểm tra xem có đủ không gian ở hai bên và đằng trước trạm sạc không để tránh rô-bốt bị chặn. Lối đi quay lại để sạc bị chặn, ví dụ: cửa đóng. Rô-bốt có thể bị trượt nếu khu vực sàn phía trước trạm sạc đa chức năng quá ẩm ướt. Nếu vậy, hãy làm sạch nước thừa trước khi thử lại. Bạn nên di chuyển trạm sạc đa chức năng đến một nơi khác và thử lại. Đảm bảo tấm tạo dốc được lắp đặt đúng cách.

Xử Lý Sự Cố

Vấn đề	Biện Pháp Xử Lý
Không tắt được rô-bốt.	Không thể tắt rô-bốt khi đang sạc. Bạn nên di chuyển rô-bốt ra khỏi trạm sạc đa chức năng, sau đó nhấn và giữ nút nguồn trong 3 giây để tắt rô-bốt. Nếu không thể tắt rô-bốt bằng cách thực hiện bước 1, nhấn và giữ nút nguồn trong 10 giây để buộc rô-bốt phải tắt. Nếu vẫn không tắt được, vui lòng liên hệ với dịch vụ hỗ trợ sau bán hàng.
Tốc độ sạc chậm.	Mất khoảng 3,5 giờ để sạc đầy rô-bốt khi pin yếu. Nếu vận hành rô-bốt ở khoảng nhiệt độ ngoài mức quy định, tốc độ sạc sẽ tự động chậm lại để kéo dài tuổi thọ của pin. Các điểm tiếp xúc sạc trên cả rô-bốt và đế trạm gốc có thể bị bẩn, vui lòng lau bằng vải khô.
Rô-bốt ngày một ồn khi đang hoạt động.	Kiểm tra xem bộ lọc hộp chứa bụi có bị tắc không. Nếu có, hãy vệ sinh hoặc thay bộ lọc. Vật cứng có thể mắc vào chổi chính hoặc hộp chứa bụi. Kiểm tra và loại bỏ mọi vật cứng. Chổi chính hoặc chổi bên có thể bị rời. Kiểm tra và loại bỏ mọi vật lạ. Chuyển chế độ hút sang Tiêu chuẩn hoặc Yên tĩnh.
Rô-bốt di chuyển không theo lộ trình đã định.	Nên thu dọn các đồ vật như dây nguồn và dép đi trong nhà trước khi sử dụng rô-bốt. Bề mặt trơn ướt khiến bánh xe chính bị trơn trượt. Nên làm khô những nơi ẩm ướt trước khi sử dụng rô-bốt. Lau cửa sổ bộ giảm chấn trên rô-bốt bằng vải mềm sạch và khô để chúng luôn sạch sẽ và không bị cản trở.
Rô-bốt bỏ qua các phòng cần lau dọn.	Hãy đảm bảo mở cửa các phòng cần lau dọn. Vị trí trước cửa phòng cần vệ sinh có thể ẩm ướt, trơn trượt khiến rô-bốt trượt bánh và hoạt động không bình thường. Vui lòng làm khô sàn nhà trước khi sử dụng rô-bốt.
Rô-bốt không tiếp tục dọn dẹp sau khi sạc.	Đảm bảo không đặt rô-bốt ở chế độ Không làm phiền (DND) để tránh rô-bốt không thể tiếp tục lau dọn. Rô-bốt sẽ không tiếp tục lau dọn sau khi bạn đặt rô-bốt lên trạm sạc đa chức năng hoặc sạc qua ứng dụng hoặc nút bấm  .

Vấn đề	Biện Pháp Xử Lý
Trạm không tự động làm sạch hộp chứa bụi.	Kiểm tra xem túi đựng bụi trong ngăn chứa bụi đã đầy chưa. Nếu túi đựng bụi chưa đầy, hãy kiểm tra xem có vật cản nào trên lỗ thông hơi tự động đổ bụi của rô-bốt, trạm sạc đa chức năng hoặc hộp chứa bụi hay không. Nếu có, nhanh chóng vệ sinh phần bị kẹt.
Mức nước trong khay giặt giẻ không bình thường.	Kiểm tra xem nắp bịt trên ngăn chứa nước bẩn có bị lỏng hoặc bị lắp sai hay không và lắp lại cho đúng. Nếu vẫn bị lỗi, vui lòng liên hệ với đội ngũ hỗ trợ sau bán hàng. Ấn nhẹ ngăn chứa nước bẩn xuống để đảm bảo lắp đúng vị trí. Tháo bộ lọc khay giặt và kiểm tra xem lỗ thoát nước thải có bị tắc hay không và vệ sinh. Kiểm tra nước lau sàn. Không thêm bất kỳ dung dịch nào khác ngoài nước lau sàn được nhà sản xuất cho phép.
Lỗ gắn Giá đỡ giẻ lau sàn bị nhô lên một cách không bình thường.	Vui lòng tháo lỗ gắn Giá đỡ giẻ lau sàn để kiểm tra xem liệu có bất kỳ vật thể bên ngoài bị kẹt trong đó hay không, và thử khởi động lại rô-bốt. Nếu vẫn bị lỗi, vui lòng liên hệ với đội ngũ hỗ trợ sau bán hàng.
Có nước bên dưới ngăn chứa nước sạch hoặc xung quanh phần nắp.	Khi lấy ngăn chứa nước sạch, có thể sẽ còn một ít nước trong phần ống còn đọng lại dưới ngăn chứa hoặc quanh phần nắp. Đây là điều bình thường. Vui lòng lau bằng vải khô.

Để được hỗ trợ thêm, hãy liên hệ với chúng tôi qua <https://global.dreametech.com>

Thông Số Kỹ Thuật

Rô-bốt

Kiểu máy	RLL22SE
Thời Gian Sạc	Xấp xỉ 3,5 giờ đồng hồ
Điện Áp Định Mức	14,4 V
Công Suất Định Mức	75 W $\overline{\text{---}}$
Tần suất hoạt động	2400–2483,5 MHz
Công suất đầu ra tối đa	< 20 dBm

Trong điều kiện sử dụng bình thường, cần để thiết bị này cách ăng-ten và cơ thể người dùng ít nhất 20 cm.

Trạm sạc đa chức năng/để sạc

Tiêu thụ điện năng ở chế độ chờ: $\leq 0,5$ W (trong vòng 15 phút sau khi rô-bốt rời trạm sạc đa chức năng/để sạc)

Rô-bốt và trạm sạc đa chức năng/để sạc

Do nhu cầu bảo trì pin, thiết bị không có chế độ chờ hoặc trạng thái tương đương khác từ góc độ các yêu cầu chờ, chức năng quản lý điện năng hoặc khả năng hủy kích hoạt chế độ kết nối mạng không dây. Mức tiêu thụ điện năng của thiết bị có thể cao hơn các mẫu thiết bị khác đáp ứng các yêu cầu chức năng này.

Trạm sạc đa chức năng

Kiểu máy	RCLE0305
Đầu Vào Định Mức	220-240 V ~ 50-60 Hz
Công suất đầu ra định mức	20 V $\overline{\text{---}}$ 2 A
Công suất định mức (trong quá trình hút bụi)	700 W
Công suất định mức (trong quá trình làm sạch bằng nước nóng)	1160 W
Công suất định mức (trong quá trình sạc và sấy khô)	87 W

Lưu ý:

- Công suất định mức (trong quá trình lau dọn bằng nước nóng) được xác định theo giá trị công suất trong khoảng thời gian đại diện (nhiệt độ nước 25°C).
- Công suất định mức (trong quá trình sạc và sấy) được xác định bởi giá trị công suất trong quá trình hoạt động tối đa.

Bộ pin lithium-ion có thể sạc lại

Kiểu máy	R2412-4S2P-MMBK/R2412-4S2P-KLYEV
Điện áp danh định	14,4 V $\overline{\text{---}}$
Dung lượng định mức	4,8Ah
Công suất điển hình	5,2Ah 74,88Wh

Tháo Bỏ và Xử Lý Pin

Pin lithium-ion tích hợp có chứa các chất nguy hiểm cho môi trường. Trước khi thải bỏ pin, hãy đảm bảo việc tháo pin do các kỹ thuật viên có trình độ thực hiện và thải bỏ tại một cơ sở tái chế thích hợp.

- Bạn cần tháo pin ra khỏi thiết bị trước khi vứt bỏ;
- Thiết bị phải được ngắt khỏi nguồn điện chính khi tháo pin;
- Pin phải được xử lý an toàn.

THẬN TRỌNG:

Trước khi tháo pin, hãy ngắt nguồn điện và sử dụng càng nhiều pin càng tốt.

Pin không dùng phải được loại bỏ tại một cơ sở tái chế thích hợp.

Không để pin tiếp xúc với môi trường nhiệt độ cao để tránh nguy cơ cháy nổ.

Nếu quá lạm dụng, chất lỏng có thể bị rò ra khỏi pin. Nếu không may tiếp xúc, xả dưới nước và điều trị y tế.

Hướng dẫn tháo:

1. Lật ngược rô-bốt, dùng dụng cụ thích hợp để tháo các vít ở mặt sau của rô-bốt rồi tháo nắp.
2. Rút phích cắm các cực giữa pin và bo mạch PCB để tháo pin.

Thông Tin Rác Thải Thiết Bị Điện Và Điện Tử (WEEE)



Tất cả các sản phẩm mang biểu tượng này đều là chất thải thiết bị điện và điện tử (WEEE theo chỉ thị 2012/19/EU) không nên trộn lẫn với rác thải sinh hoạt chưa được phân loại. Thay vào đó, bạn nên bảo vệ sức khỏe con người và môi trường bằng cách giao thiết bị thải bỏ của mình cho điểm thu gom được chỉ định để tái chế chất thải thiết bị điện và điện tử, được chỉ định bởi chính phủ hoặc chính quyền địa phương. Việc thải bỏ và tái chế đúng cách sẽ giúp ngăn ngừa các hậu quả tiêu cực tiềm ẩn đối với môi trường và sức khỏe con người. Vui lòng liên hệ với đơn vị lắp đặt hoặc chính quyền địa phương để biết thêm thông tin về địa điểm cũng như các điều khoản và điều kiện của các điểm thu gom này.

ข้อมูลด้านความปลอดภัย

เพื่อหลีกเลี่ยงการเกิดไฟฟ้าช็อต ไฟไหม้ หรือการบาดเจ็บที่เกิดจากการใช้เครื่องอย่างไม่เหมาะสม โปรดอ่านคู่มือการใช้งานอย่างละเอียดก่อนใช้เครื่อง และเก็บไว้เพื่อใช้ดูในอนาคต

ข้อจำกัดในการใช้งาน

- เด็กอายุต่ำกว่า 8 ปี หรือบุคคลที่มีความบกพร่องทางร่างกาย ประสาทสัมผัส สติปัญญา หรือประสิทธิภาพหรือความรู้จำกัดไม่ควรใช้ผลิตภัณฑ์นี้ โดยไม่ได้รับการดูแลจากพ่อแม่หรือผู้ปกครองเพื่อให้แน่ใจว่าการทำงานปลอดภัยและเพื่อหลีกเลี่ยงความเสี่ยงใด ๆ ที่อาจเกิดขึ้น ห้ามเด็กทำความสะอาดและบำรุงรักษาโดยไม่มีผู้ดูแล
- เครื่องนี้ใช้กับเครื่องจ่ายไฟที่ให้มาพร้อมกับเครื่องเท่านั้น
- หุ่นยนต์นี้มีแบตเตอรี่ที่ต้องเปลี่ยนโดยผู้ที่มีความชำนาญเท่านั้น
- เคลียร์พื้นที่ที่จะทำความสะอาด ห้ามเด็กเล่นกับผลิตภัณฑ์นี้ ตรวจสอบให้แน่ใจว่าเด็กและสัตว์เลี้ยงอยู่ห่างจากหุ่นยนต์ในระยะที่ปลอดภัยในขณะที่หุ่นยนต์กำลังทำงาน
- ห้ามติดตั้ง ชาร์จ หรือใช้เครื่องในห้องน้ำหรือรอบ ๆ สระว่ายน้ำ
- ผลิตภัณฑ์นี้ใช้สำหรับการทำความสะอาดพื้นในบ้านเท่านั้น ห้ามใช้งานกลางแจ้ง บนพื้นผิวที่ไม่ใช่พื้น หรือในเชิงพาณิชย์หรืออุตสาหกรรม
- ตรวจสอบให้แน่ใจว่าหุ่นยนต์ทำงานได้อย่างถูกต้องในสภาพแวดล้อมที่เหมาะสม มิฉะนั้น จะไม่สามารถใช้งานหุ่นยนต์นี้ได้
- หากสายไฟเสียหาย ต้องเปลี่ยนด้วยสายไฟพิเศษหรือชุดประกอบที่มีจำหน่ายจากผู้ผลิตหรือตัวแทนบริการ
- ห้ามใช้หุ่นยนต์ในบริเวณที่อยู่เหนือระดับพื้นดินโดยไม่มีสิ่งกีดขวางป้องกันเอาไว้

ข้อมูลด้านความปลอดภัย

ข้อจำกัดในการใช้งาน

- ห้ามวางหุ่นยนต์กลับด้าน ห้ามใช้ฝาครอบ LDS ฝาปิดหุ่นยนต์ หรือกันชนเป็นที่จับสำหรับหุ่นยนต์
- ใช้หุ่นยนต์ในสภาพแวดล้อมที่มีอุณหภูมิแวดล้อมสูงกว่า 0°C และต่ำกว่า 40°C ตรวจสอบให้แน่ใจว่าไม่มีของเหลวหรือสารเหนียวบนพื้น
- เพื่อป้องกันความเสียหายหรืออันตรายจากการลาก ให้นำสิ่งกีดขวางออกจากพื้น และถอดสายเคเบิลหรือสายไฟบนพื้นที่ทำความสะอาดก่อนเปิดใช้งาน
- นำสิ่งของที่เปราะบางหรือมีขนาดเล็กออกจากพื้นเพื่อป้องกันไม่ให้หุ่นยนต์ชนและสร้างความเสียหาย
- เก็บเส้นผม นิ้วมือ และส่วนอื่น ๆ ของร่างกายให้ห่างจากช่องดูดของหุ่นยนต์
- เก็บแปรงปัดฝุ่นให้พ้นมือเด็ก
- ห้ามใช้งานหุ่นยนต์ในห้องที่มีทารกหรือเด็กนอนหลับอยู่
- ห้ามวางเด็ก สัตว์เลี้ยง หรือสิ่งของใด ๆ ไว้บนหุ่นยนต์ ไม่ว่าหุ่นยนต์จะอยู่นิ่งหรือเคลื่อนที่ก็ตาม
- สามารถเติมได้เฉพาะน้ำสะอาดและน้ำยาทำความสะอาดที่ได้รับการรับรองอย่างเป็นทางการลงในถังเก็บน้ำสะอาดเท่านั้น ห้ามเติมของเหลวอื่นใด เช่น แอลกอฮอล์หรือน้ำยาฆ่าเชื้อ สามารถตรวจสอบอัตราส่วนของน้ำยาทำความสะอาดต่อน้ำสะอาดได้จากขวดน้ำยาทำความสะอาด เก็บน้ำยาทำความสะอาดให้พ้นมือเด็ก
- ห้ามใช้หุ่นยนต์ทำความสะอาดวัตถุที่กำลังไหม้ ห้ามใช้หุ่นยนต์หยิบของเหลวที่ไวไฟหรือวัตถุที่ติดไฟได้ ก๊าซที่มีฤทธิ์กัดกร่อน หรือกรดหรือตัวทำละลายที่ไม่มีสารเจือปน
- ห้ามดูวัตถุแข็งหรือมีคม ห้ามใช้อุปกรณ์ในการเก็บวัตถุ เช่น ก้อนหิน กระจาดขนาดใหญ่ หรือสิ่งของใด ๆ ที่อาจทำให้อุปกรณ์อุดตัน
- ต้องถอดปลั๊กออกจากเต้ารับก่อนทำความสะอาดหรือบำรุงรักษาเครื่อง

ข้อมูลด้านความปลอดภัย

ข้อจำกัดในการใช้งาน

- อย่าเช็ดหุ่นยนต์หรือแท่นด้วยผ้าเปียกหรือล้างด้วยของเหลวใดก็ตาม หลังจากหลังจากล้างทำความสะอาดชิ้นส่วนแล้ว ให้เช็ดชิ้นส่วนให้แห้งก่อนติดตั้งใหม่และใช้งาน
- โปรดใช้ผลิตภัณฑ์นี้ตามคำแนะนำในคู่มือการใช้งาน ผู้ใช้ต้องรับผิดชอบต่อความสูญเสียหรือความเสียหายใด ๆ ที่เกิดขึ้นจากการใช้ผลิตภัณฑ์นี้อย่างไม่เหมาะสม

แบตเตอรี่และการชาร์จ

- ห้ามใช้แบตเตอรี่หรือแท่นของบริษัทอื่น หุ่นยนต์สามารถใช้ได้กับแท่นรุ่น RCLE0305 เท่านั้น
- ห้ามแยกชิ้นส่วน ซ่อมแซม หรือดัดแปลงแบตเตอรี่หรือแท่นด้วยตัวคุณเอง
- ห้ามวางแท่นใกล้กับแหล่งความร้อน
- ห้ามใช้ผ้าเปียกหรือมือเปียกเช็ดหรือทำความสะอาดหน้าสัมผัสการชาร์จของแท่น
- ห้ามทิ้งแบตเตอรี่เก่าอย่างไม่เหมาะสม ควรทิ้งแบตเตอรี่ที่ไม่ต้องการที่โรงงานรีไซเคิลที่เหมาะสม
- หากสายไฟเสียหายหรือขาดให้หยุดใช้งานทันทีและติดต่อฝ่ายบริการหลังการขาย
- ตรวจสอบให้แน่ใจว่าหุ่นยนต์ปิดอยู่ในขณะที่ทำการขนส่งและหากเป็นไปได้เก็บไว้ในบรรจุภัณฑ์เดิม
- หากไม่ได้ใช้งานหุ่นยนต์เป็นระยะเวลาานาน ให้ชาร์จแบตเตอรี่ให้เต็มจากนั้นปิดเครื่องและเก็บในที่แห้งและเย็น ชาร์จหุ่นยนต์อย่างน้อยทุก ๆ 3 เดือนเพื่อหลีกเลี่ยงการคายประจุแบตเตอรี่มากเกินไป

ข้อมูลด้านความปลอดภัย

ข้อมูลความปลอดภัย ของเลเซอร์

- เซ็นเซอร์เลเซอร์ในผลิตภัณฑ์นี้ตรงตามมาตรฐาน IEC 60825-1:2014/EN 60825-1:2014/A11:2021 สำหรับผลิตภัณฑ์เลเซอร์คลาส 1 โปรดหลีกเลี่ยงการสัมผัสกับดวงตาโดยตรงระหว่างการใช้งาน ผลิตภัณฑ์เลเซอร์คลาส 1 ผลิตภัณฑ์เลเซอร์สำหรับผู้บริโภค EN 50689:2021



สำหรับใช้ในที่รุ่มเท่านั้น

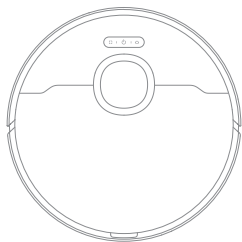


อ่านคู่มือการใช้งาน

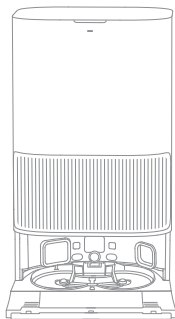
ด้วยเหตุนี้ Dreame Trading (Tianjin) Co., Ltd. ขอประกาศว่าอุปกรณ์วิทยุประเภท RLL22SE เป็นไปตามข้อบังคับที่ 2014/53/EU ข้อความฉบับสมบูรณ์ของประกาศความสอดคล้องของสหภาพยุโรปมีอยู่ตามที่อยู่อินเทอร์เน็ตต่อไปนี้: <https://global.dreameotech.com> สำหรับรายละเอียดเพิ่มเติมของผู้ถือสิทธิทราดแมค โปรดไปที่ <https://global.dreameotech.com/pages/user-manuals-and-faqs>

ภาพรวมผลิตภัณฑ์

สิ่งที่บรรจุอยู่ในแพ็คเกจ

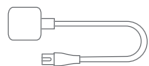


หุ่นยนต์



แท่น

อุปกรณ์เสริมอื่น ๆ



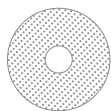
สายไฟ



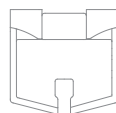
แผ่นทางลาดของแท่น



คู่มือการใช้งาน

ช่องเติมน้ำยาทำความสะอาดอัตโนมัติ
(ติดตั้งไว้ล่วงหน้า)ถุงเก็บฝุ่น × 2
(ติดตั้งไว้ล่วงหน้า 1 ชิ้น)ผ้าถูพื้น × 2
(ติดตั้งไว้ล่วงหน้า)

ที่ยึดผ้าถูพื้น × 2 ชิ้น

ตัวกรองกระดานล่าง
(ติดตั้งไว้ล่วงหน้า)

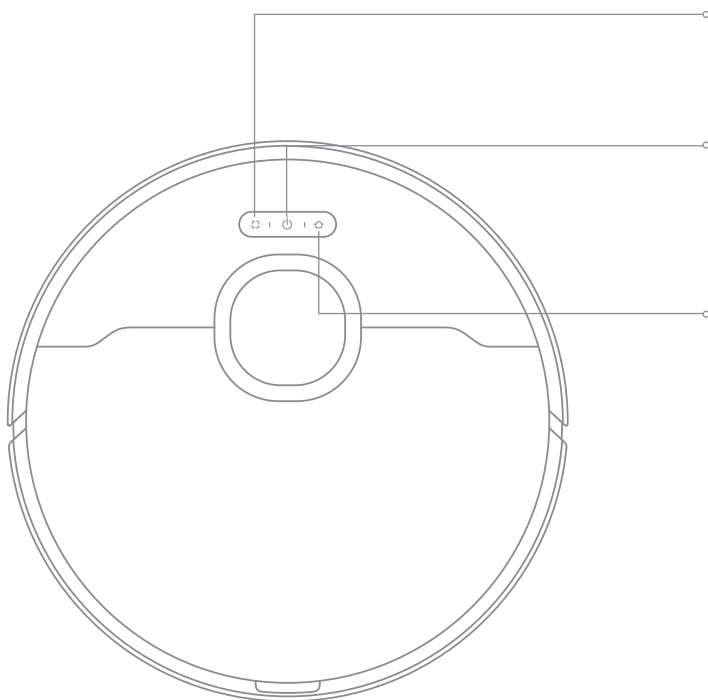
น้ำยาทำความสะอาด



แปรงปิดฝุ่น

ภาพรวมผลิตภัณฑ์

หุ่นยนต์



□ ปุ่มทำความสะอาดเฉพาะจุด

- กดเพื่อเริ่มการทำความสะอาดเฉพาะจุด

🏠 ปุ่มเปิด/ปิด / ทำความสะอาด

- กดค้างไว้ 3 วินาทีเพื่อเปิดหรือปิด
- กดเพื่อเริ่มทำความสะอาดหลังจากเปิดหุ่นยนต์

🏠 ปุ่มกลับไปแท่น

- กดเพื่อส่งหุ่นยนต์กลับไปยังแท่น
- กดค้างไว้ 3 วินาทีเพื่อปิดฟังก์ชันล็อกป้องกันเด็ก

ไฟแสดงสถานะ

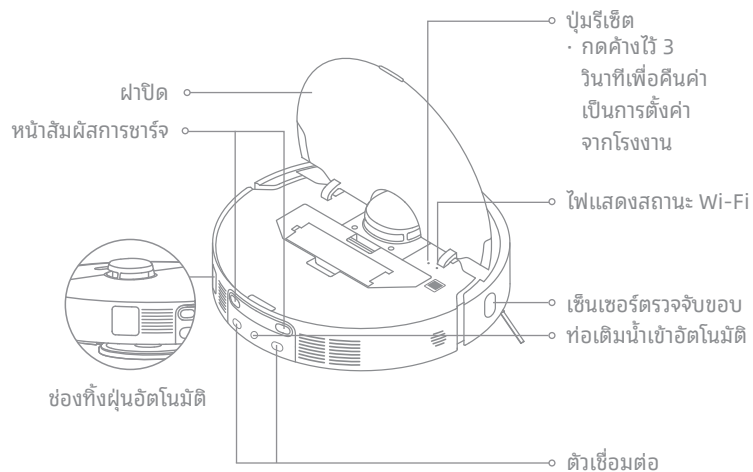
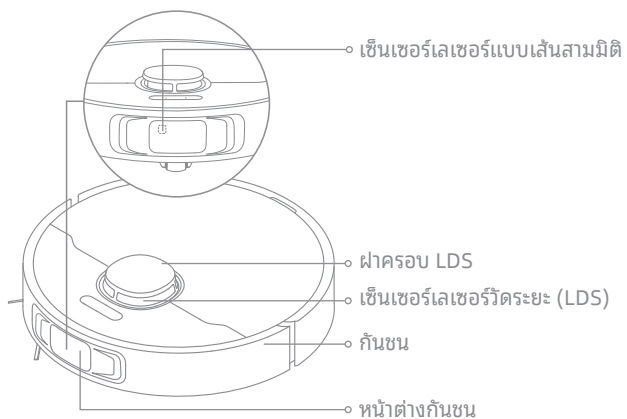
- สีขาวสว่างค้าง: การทำความสะอาดหรือการทำงานเสร็จสิ้นแล้ว
- สีขาวกะพริบเป็นจังหวะ: สถานะชาร์จแบตเตอรี่ (ไม่มีแบตเตอรี่ต่ำ)
- สีส้มสว่างค้าง: กำลังรอก
- เมื่อแบตเตอรี่เหลือน้อยหรือหยุดชั่วคราวเมื่อแบตเตอรี่เหลือน้อย
- สีส้มกะพริบเป็นจังหวะ: สถานะชาร์จแบตเตอรี่ (แบตเตอรี่ต่ำ)
- สีส้มกะพริบ: เกิดข้อผิดพลาด

หมายเหตุ:

- กดปุ่มใดก็ได้บนหุ่นยนต์เพื่อหยุดชั่วคราวในขณะที่หุ่นยนต์กำลังทำความสะอาดหรือกลับไปชาร์จ
- ระบบล็อกป้องกันเด็กสามารถเปิดและปิดผ่านทางแอป Dreamehome ได้

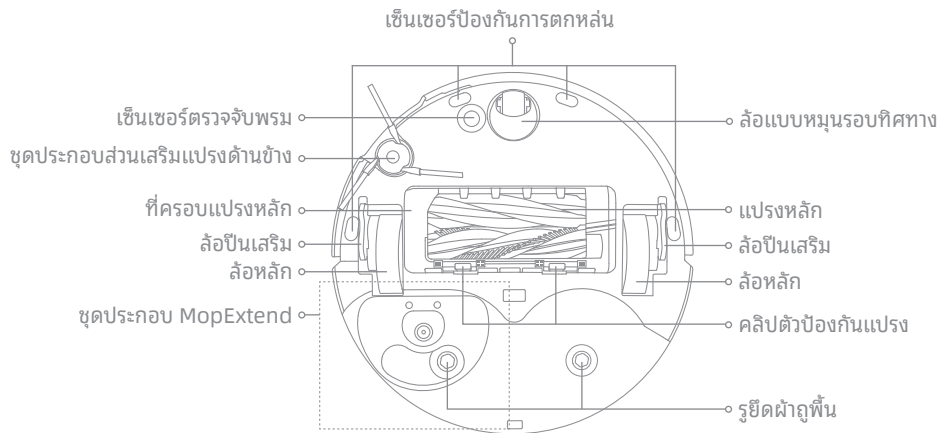
ภาพรวมผลิตภัณฑ์

หุ่นยนต์และเซ็นเซอร์

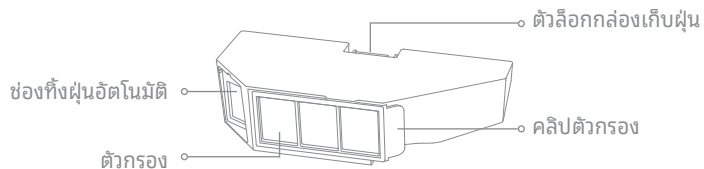


ภาพรวมผลิตภัณฑ์

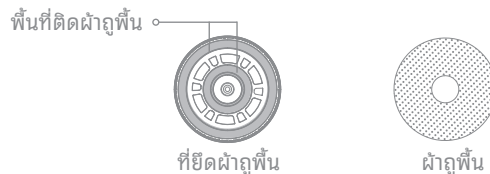
หุ่นยนต์และเซ็นเซอร์



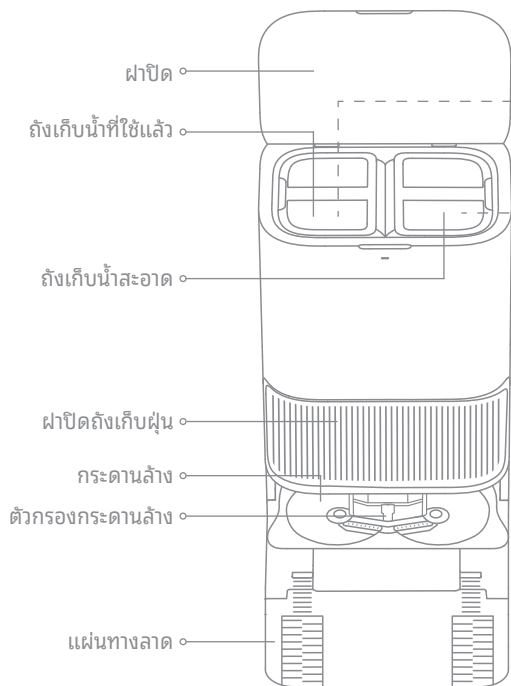
กล่องเก็บฝุ่น



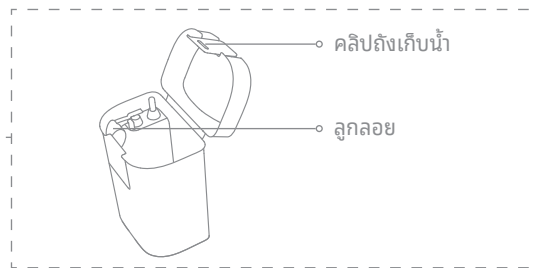
ชุดถูพื้น



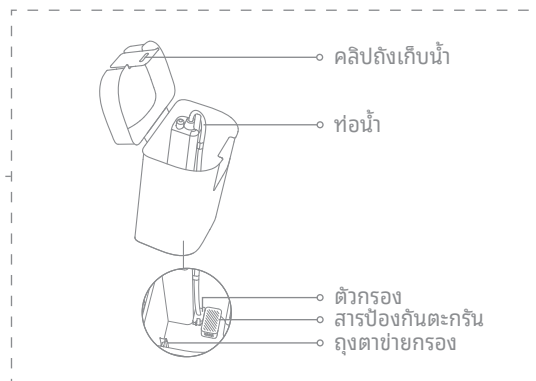
แท่น



ถังเก็บน้ำที่ใช้แล้ว

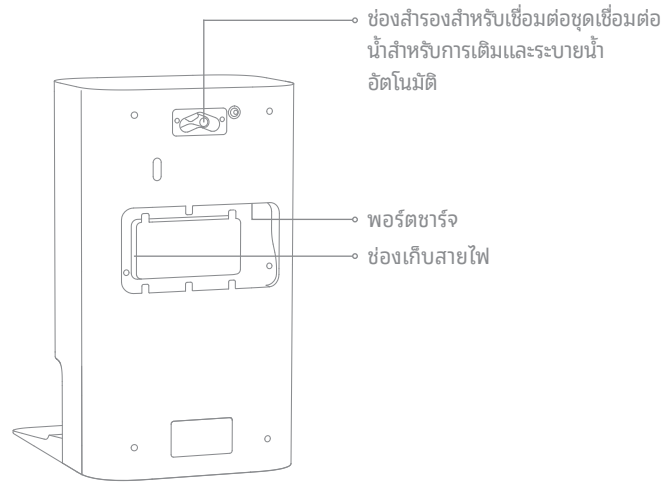
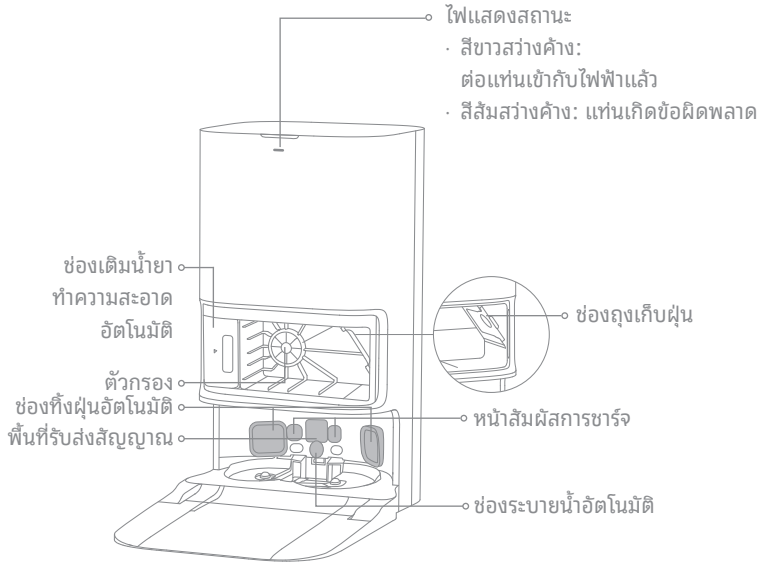


ถังเก็บน้ำสะอาด



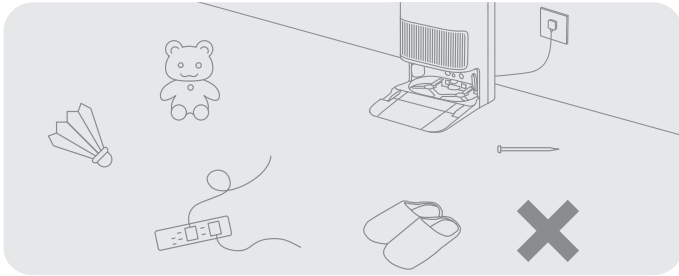
ภาพรวมผลิตภัณฑ์

แท่น

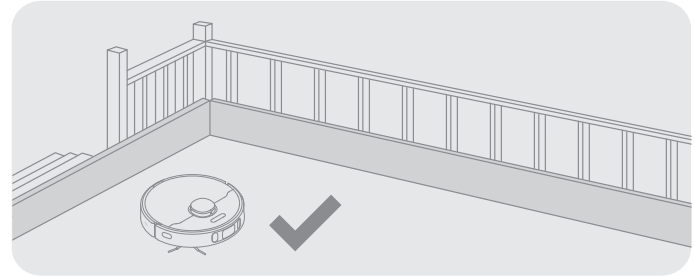


หมายเหตุ:
ต้องเชื่อมต่อต่อแยกต่างหากสำหรับชุดเชื่อมต่อน้ำสำหรับการเติมและระบายน้ำอัตโนมัติ
(มีเฉพาะในบางภูมิภาค)

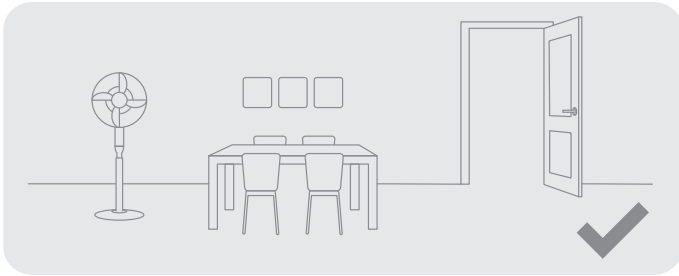
การจัดเตรียมบ้านของคุณ



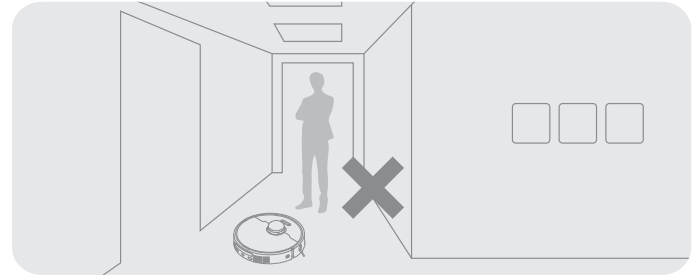
ก่อนทำความสะอาด โปรดย้ายสิ่งของที่ไม่น่าคง เปรียบาง มีมูลค่า หรือเป็นอันตรายออก และทำความสะอาดสายเคเบิล ผ้า ของเส้น วัตถุของแข็ง และของมีคมบนพื้นเพื่อหลีกเลี่ยงการพันกัน ขีดข่วน หรือกระแทกโดยหุ่นยนต์และทำให้เกิดการสูญเสีย



ก่อนการทำความสะอาด ให้วางแผงกันที่ขอบบันไดเพื่อให้หุ่นยนต์ทำงานได้อย่างปลอดภัยและราบรื่น



เปิดประตูห้องที่จะทำความสะอาดและวางเฟอร์นิเจอร์ให้เข้าที่เพื่อให้มีพื้นที่ว่างมากขึ้น



เพื่อป้องกันไม่ให้นักเรียนลื่นล้มบนพื้นที่ที่ต้องทำความสะอาด อย่ายืนขวางหน้าหุ่นยนต์ ธรณีประตู โถงทางเดิน หรือที่แคบ ๆ

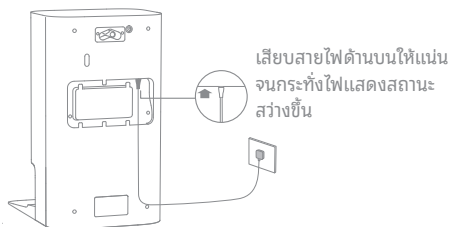
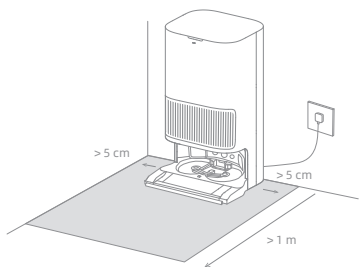
หมายเหตุ:

- เมื่อใช้งานหุ่นยนต์เป็นครั้งแรก ให้เดินตามหุ่นยนต์ไปรอบ ๆ ขณะทำความสะอาดเพื่อให้สามารถเก็บสิ่งกีดขวางที่อาจเกิดขึ้นได้ทันเวลา
- ห้ามอุดวัตถุที่เป็นของแข็ง เช่น ก้อนหิน ลูกเหล็ก และชิ้นส่วนของเส้น หรือของมีคม เช่น ขยะก่อสร้าง เศษแก้ว และตะปู มิฉะนั้น อาจทำให้พื้นเป็นรอยได้

ก่อนใช้งาน

1. วางตำแหน่งและเชื่อมต่อกับเต้ารับไฟฟ้า

วางตำแหน่งในตำแหน่งที่เปิดกว้างที่สุดเท่าที่จะเป็นไปได้ซึ่งมีสัญญาณ Wi-Fi ที่ดี เว้นพื้นที่ว่างไว้เพียงพอตามที่แสดงในภาพ และนำวัตถุใด ๆ ออกจากบริเวณที่แรเงา เสียบสายไฟเข้ากับแท่นแล้วเสียบเข้ากับเต้ารับ

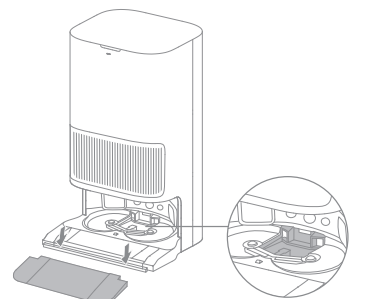


เสียบสายไฟด้านบนให้แน่น
จนกระทั่งไฟแสดงสถานะ
สว่างขึ้น

หมายเหตุ:

- ตรวจสอบให้แน่ใจว่าไม่มีวัตถุใดขวางกั้นพื้นที่รับส่งสัญญาณ
- เพื่อป้องกันไม่ให้เกิดคราบน้ำบนพื้นไม้หรือไม้ให้พรมเปียก แนะนำให้วางแท่นบนพื้น กระเบื้องหรือพื้นหินอ่อน

2. ติดตั้งแผ่นทางลาด

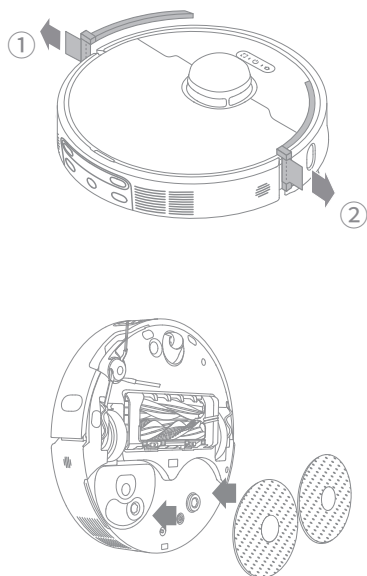


ตัวกรองกระดาษล้าง

หมายเหตุ: ตรวจสอบให้แน่ใจว่าได้ติดตั้งตัวกรองกระดาษล้างเข้าที่แล้ว

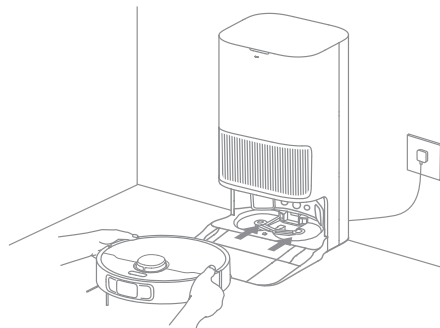
ก่อนใช้งาน

3. ถอดแผ่นป้องกันหุ่นยนต์และติดตั้งชุดถูพื้น



4. เชื่อมต่อหุ่นยนต์เข้ากับแท่น

กดปุ่มเปิด/ปิดบนหุ่นยนต์ค้างไว้ 3 วินาทีเพื่อเปิดหุ่นยนต์ วางหุ่นยนต์ลงบนแท่นโดยให้ชุดถูพื้นหันไปทางกระดานล่าง จากนั้น คุณจะได้ยินเสียงการแจ้งเตือนเมื่อหุ่นยนต์เชื่อมต่อกับแท่นได้สำเร็จ หลังจากชาร์จหุ่นยนต์เต็มแล้ว ไฟแสดงสถานะบนหุ่นยนต์และแท่นจะติดสว่างเป็นเวลา 10 นาที จากนั้นจะหรี่ลง

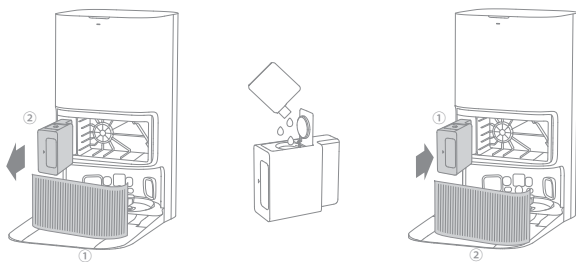


หมายเหตุ: ขอแนะนำให้ชาร์จหุ่นยนต์ให้เต็มก่อนที่จะเริ่มใช้งานเป็นครั้งแรก เมื่อแบตเตอรี่หมดและไม่สามารถใช้งานหุ่นยนต์ได้ โปรดเชื่อมต่อหุ่นยนต์กับแท่นด้วยตนเองเพื่อชาร์จแบตเตอรี่

ก่อนใช้งาน

5. เติมน้ำยาทำความสะอาด

- (1) ถอดฝาปิดถังเก็บฝุ่นออก และดึงช่องเติมน้ำยาทำความสะอาดอัตโนมัติออก
- (2) เปิดฝาด้านบนของช่องแล้วเติมน้ำยาทำความสะอาด
- (3) ปิดฝาช่อง ใส่กลับเข้าไปในแท่น จากนั้น ติดตั้งฝาปิดถังเก็บฝุ่นกลับเข้าไปใหม่ น้ำยาทำความสะอาดจะถูกเติมโดยอัตโนมัติในขณะที่ทำงาน

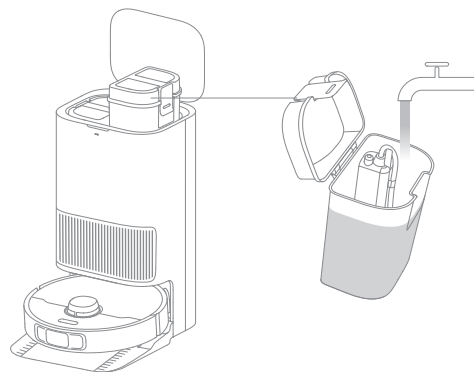


หมายเหตุ:

- ช่องเติมน้ำยาทำความสะอาดอัตโนมัติ สามารถเติมน้ำยาทำความสะอาดเพื่อใช้งานได้ อย่างไรก็ตามของเหลวอื่นใดนอกเหนือจากน้ำยาทำความสะอาดที่ได้รับการรับรองอย่างเป็นทางการ เพื่อช่วยป้องกันไม่ให้งานผิดพลาด
- ติดตั้งช่องเติมน้ำยาทำความสะอาดอัตโนมัติจนกระทั่งคลิกเข้าที่

6. เติมน้ำลงในถังเก็บน้ำสะอาด

นำถังเก็บน้ำสะอาดออกจากแท่น และเติมน้ำสะอาดลงในถัง จากนั้น ติดตั้งกลับเข้าไปในแท่น

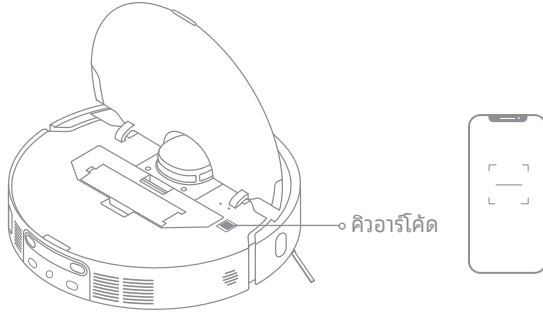


หมายเหตุ: ห้ามเติมน้ำร้อนลงในถังเก็บน้ำ เพราะอาจทำให้ถังเก็บน้ำเสียรูปทรงได้

การเชื่อมต่อกับแอป Dreamehome

1. ดาวน์โหลดแอป Dreamehome

สแกนคิวอาร์โค้ดบนหุ่นยนต์ หรือค้นหา "Dreamehome" ใน App Store เพื่อดาวน์โหลดและติดตั้งแอป

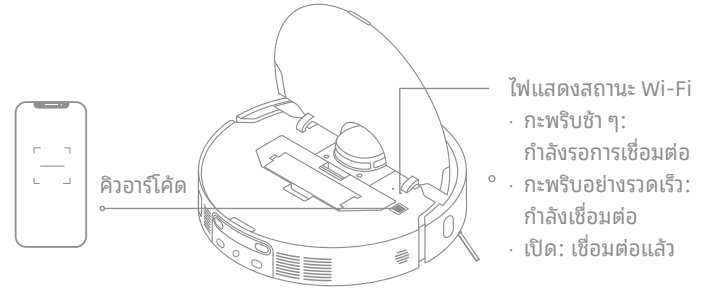


หมายเหตุ:

- รองรับ Wi-Fi 2.4 GHz เท่านั้น
- เนื่องจากการอัปเดตในซอฟต์แวร์แอป การดำเนินการจริงอาจแตกต่างจากคำแนะนำในคู่มือนี้ โปรดทำตามคำแนะนำของแอปเวอร์ชันปัจจุบัน

2. เพิ่มอุปกรณ์

เปิดแอป Dreamehome และ "สแกนคิวอาร์โค้ดเพื่อเชื่อมต่อ" และสแกนคิวอาร์โค้ดเดียวกันบนหุ่นยนต์อีกครั้งเพื่อเพิ่มอุปกรณ์ โปรดปฏิบัติตามคำแนะนำเพื่อสิ้นสุดการเชื่อมต่อ Wi-Fi



หมายเหตุ:

- หากต้องการรีเซ็ต Wi-Fi ให้ทำซ้ำขั้นตอนที่ 2 จากนั้น ทำตามคำแนะนำเพื่อสิ้นสุดการเชื่อมต่อ Wi-Fi
- หากต้องการตัดการเชื่อมต่ออุปกรณ์จากเครือข่าย Wi-Fi ให้กดปุ่มรีเซ็ตบนหุ่นยนต์ค้างไว้ 3 วินาที

วิธีการใช้งาน

เปิด/ปิด

กดปุ่มเปิด/ปิดค้างไว้ 3 วินาทีเพื่อเปิดหุ่นยนต์ ไฟแสดงสถานะพลังงานจะยังคงสว่างอยู่ หรือวางหุ่นยนต์บนแท่นโดยวางหน้าสัมผัสการชาร์จของหุ่นยนต์ให้ตรงกับแท่น จากนั้นหุ่นยนต์จะเปิดโดยอัตโนมัติและเริ่มการชาร์จ หากต้องการปิดหุ่นยนต์ ให้นำหุ่นยนต์ออกจากสถานีแท่น แล้วกดปุ่มเปิด/ปิดค้างไว้ 3 วินาที

การสร้างแผนที่แบบรวดเร็ว

หลังจากกำหนดค่าเครือข่ายในครั้งแรก ให้ทำตามคำแนะนำในแอปเพื่อสร้างแผนที่อย่างรวดเร็ว หุ่นยนต์จะเริ่มทำแผนที่โดยไม่ทำความสะอาด เมื่อหุ่นยนต์กลับไปแท่น กระบวนการสร้างแผนที่จะเสร็จสมบูรณ์และแผนที่จะถูกบันทึกโดยอัตโนมัติ

หยุดชั่วคราว/พักเครื่อง

เมื่อหุ่นยนต์กำลังทำงาน ให้กดปุ่มใดก็ได้เพื่อหยุดชั่วคราว หากหุ่นยนต์หยุดชั่วคราวนานกว่า 10 นาที หุ่นยนต์จะเข้าสู่โหมดพักเครื่องโดยอัตโนมัติ ไฟแสดงสถานะทั้งหมดบนหุ่นยนต์จะปิดลง กดปุ่มใดก็ได้บนหุ่นยนต์หรือใช้แอปเพื่อเปิดใช้งานหุ่นยนต์

หมายเหตุ: หากหุ่นยนต์หยุดทำงานชั่วคราวและวางลงบนแท่นกระบวนการทำความสะอาดในปัจจุบันจะสิ้นสุดลง

ทำความสะอาดต่ออัตโนมัติ

หากแบตเตอรี่เหลือน้อยเกินไป หุ่นยนต์จะกลับไปแท่นโดยอัตโนมัติเพื่อทำการชาร์จ หลังจากการชาร์จถึงระดับแบตเตอรี่ที่เหมาะสมแล้ว หุ่นยนต์จะกลับมาทำความสะอาดต่อ

หมายเหตุ: หากต้องการใช้ฟังก์ชันนี้ โปรดเปิดในแอป


โหมดห้ามรบกวน (Do Not Disturb : DND)

เมื่อหุ่นยนต์ถูกตั้งค่าเป็นโหมดห้ามรบกวน (Do Not Disturb : DND) หุ่นยนต์จะถูกป้องกันไม่ให้กลับมาทำความสะอาดต่อ โหมด DND จะถูกปิดใช้งานตามค่าเริ่มต้นจากโรงงาน คุณสามารถใช้แอปเพื่อเปิดใช้งานโหมด DND หรือแก้ไขช่วงเวลาของโหมด DND ได้ ตามค่าเริ่มต้นช่วงเวลา DND คือ 22:00 - 8:00 น.

หมายเหตุ:

- แผนที่ทำความสะอาดตามกำหนดเวลาจะดำเนินไปตามปกติในช่วงระยะเวลา DND
- หุ่นยนต์จะดำเนินการทำความสะอาดต่อจากที่ค้างไว้หลังจากช่วงเวลา DND สิ้นสุดลง

การทำความสะอาดเฉพาะจุด

เมื่อหุ่นยนต์กำลังรอ ให้กดปุ่ม  สั้นๆ เพื่อเปิดใช้งานโหมดทำความสะอาดเฉพาะจุด ในโหมดนี้ หุ่นยนต์จะทำความสะอาดพื้นที่รูปทรงสี่เหลี่ยมจัตุรัสขนาด 1.5 x 1.5 เมตร บริเวณโดยรอบของหุ่นยนต์และกลับสู่จุดเริ่มต้นเมื่อการทำความสะอาดเฉพาะจุดเสร็จสิ้นแล้ว

การรีสตาร์ทหุ่นยนต์

หากหุ่นยนต์หยุดตอบสนองหรือไม่สามารถปิดได้ ให้กดปุ่มเปิด/ปิดค้างไว้ 10 วินาทีเพื่อบังคับให้หุ่นยนต์ปิดการทำงาน จากนั้น กดปุ่มเปิด/ปิดค้างไว้ 3 วินาทีเพื่อเปิดหุ่นยนต์

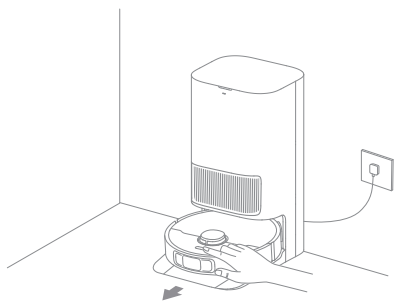
วิธีการใช้งาน

ดูดฝุ่นและถูพื้น

หมายเหตุ: เมื่อใช้ชุดถูพื้นเป็นครั้งแรก หุ่นยนต์จะทำงาน "ดูดฝุ่นและถูพื้น" ตามค่าเริ่มต้น

1. เริ่มต้นการทำความสะอาด

กดปุ่มเปิด/ปิดบนหุ่นยนต์ หรือใช้แอปเพื่อให้หุ่นยนต์เริ่มทำงานตั้งแต่สถานีแท่น จากนั้น หุ่นยนต์จะวางแผนเส้นทางการทำความสะอาดที่เหมาะสมที่สุดและดำเนินการทำความสะอาดตามแผนที่ที่สร้างขึ้น

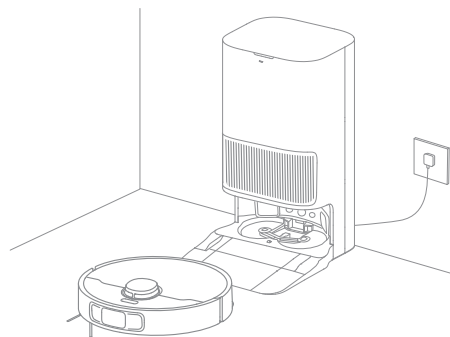


หมายเหตุ:

- เพื่อให้แน่ใจว่าหุ่นยนต์สามารถกลับไปยังแท่นได้อย่างง่ายดายหลังจากทำความสะอาด ขอแนะนำให้เริ่มต้นหุ่นยนต์จากแท่น
- ผ้าถูพื้นจะถูกทำความสะอาดก่อนที่หุ่นยนต์จะเริ่มถู โปรดรอสักครู่
- ห้ามเคลื่อนย้ายแท่น ถังเก็บน้ำสะอาด ถังเก็บน้ำทิ้ง หรือตัวกรองกระดาษล้างในระหว่างการทำงาน
- งานทำความสะอาดผ้าถูพื้นสามารถเปิดใช้งานการทำความสะอาดด้วยน้ำร้อนจากในแอปได้ ซึ่งใช้ได้กับทุกโหมด เพื่อป้องกันน้ำร้อนลวก ห้ามสัมผัสช่องระบายน้ำเมื่อเปิดฟังก์ชันนี้

2. ล้างผ้าถูพื้นอัตโนมัติ

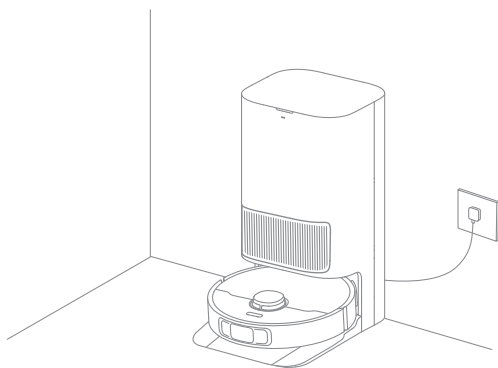
เมื่อทำความสะอาด หุ่นยนต์จะกลับไปแท่นโดยอัตโนมัติเพื่อล้างผ้าถูพื้นตามความถี่ในการทำความสะอาดผ้าถูพื้นที่ระบุไว้ในแอป แท่นจะเติมถังน้ำของหุ่นยนต์โดยอัตโนมัติ และหุ่นยนต์จะดำเนินการทำความสะอาดต่อ



วิธีการใช้งาน

3. ล้างกล่องเก็บฝุ่นโดยอัตโนมัติ และล้างผ้าถูพื้นให้แห้ง

หลังจากหุ่นยนต์ทำความสะอาดเสร็จและกลับไปที่แท่นเพื่อชาร์จ แท่นจะทิ้งฝุ่นจากกล่องเก็บฝุ่นโดยอัตโนมัติ จากนั้นจึงซักและทำให้ผ้าถูพื้นแห้ง



หมายเหตุ:

- หากปิดฟังก์ชันทำความสะอาดอัตโนมัติในแอป แท่นจะไม่ล้างกล่องเก็บฝุ่นโดยอัตโนมัติ
- แท่นจะล้างกล่องเก็บฝุ่นตามการตั้งค่าที่กำหนดไว้ในแอป

4. การทำความสะอาดถังเก็บน้ำทิ้ง

หลังจากหุ่นยนต์ทำงานเสร็จแล้ว โปรดทำความสะอาดถังเก็บน้ำทิ้งเพื่อป้องกันกลิ่นไม่พึงประสงค์

ถูพื้นหลังจากดูดฝุ่น

เปิดใช้งานฟังก์ชันถูพื้นหลังจากดูดฝุ่นในแอป และหุ่นยนต์จะถอดชุดถูพื้นออกจากแท่นโดยอัตโนมัติเพื่อดูดฝุ่นบนพื้น หลังจากการดูดฝุ่นเสร็จสิ้น หุ่นยนต์จะกลับไปแท่นเพื่อติดตั้งชุดถูพื้น และแท่นจะเทกล่องเก็บฝุ่นโดยอัตโนมัติ จากนั้นหุ่นยนต์จะเริ่มถูพื้นหลังจากยกแปรงด้านข้างขึ้น

ดูดฝุ่นเท่านั้น

เปิดใช้งานฟังก์ชันดูดฝุ่นเท่านั้นในแอป และหุ่นยนต์จะถอดชุดถูพื้นบนแท่นโดยอัตโนมัติและเริ่มดูดฝุ่น

ถูพื้นเท่านั้น

เปิดใช้งานฟังก์ชันถูพื้นในแอป แล้วหุ่นยนต์จะตรวจสอบโดยอัตโนมัติว่ามีการติดตั้งชุดถูพื้นบนแท่นหรือไม่ หากไม่ หุ่นยนต์จะติดตั้งชุดถูพื้นและเริ่มถูพื้นหลังจากยกแปรงหลักและแปรงด้านข้างขึ้น หากไม่ หุ่นยนต์จะติดตั้งชุดถูพื้นและเริ่มถูพื้นหลังจากยกแปรงด้านข้างขึ้น

ชิ้นส่วน

เพื่อให้หุ่นยนต์อยู่ในสภาพดี ขอแนะนำให้อ้างอิงถึงการใช้อุปกรณ์เสริมในแอปหรือตารางต่อไปนี้สำหรับการบำรุงรักษาตามปกติ

ชิ้นส่วน	ความถี่ในการบำรุงรักษา	ระยะเวลาการเปลี่ยน
ถังเก็บน้ำทิ้ง	หลังการใช้งานแต่ละครั้ง	/
ถังเก็บน้ำสะอาด	ทุก 2 สัปดาห์	ทุก 6 ถึง 12 เดือน
แปรงหลัก		
ตัวกรองของกสองเก็บฝุ่น		ทุก 3 ถึง 6 เดือน
แปรงด้านข้าง		
ที่ยึดผ้าถูพื้น		/
ตัวกรองกระดานล่าง	ทุก 1 ถึง 2 เดือน	/
พื้นที่รับส่งสัญญาณของแท่น	เดือนละครั้ง	
หน้าสัมผัสการชาร์จ		
ช่องทิ้งฝุ่นอัตโนมัติ		
ล้อแบบหมุนรอบทิศทาง		
เซ็นเซอร์ตรวจจับขอบ		
เซ็นเซอร์เลเซอร์วัดระยะ (LDS)		
เซ็นเซอร์เลเซอร์แบบเส้นสามมิติ		
เซ็นเซอร์ตรวจจับพรม		
เซ็นเซอร์ป้องกันการตกหล่น		

ชิ้นส่วน	ความถี่ในการบำรุงรักษา	ระยะเวลาการเปลี่ยน
หน้าต่างกันชน	เดือนละครั้ง	/
กันชน		
ท่อเติมน้ำเข้าอัตโนมัติของหุ่นยนต์		
ด้านล่างของหุ่นยนต์		
กสองเก็บฝุ่น	ทำความสะอาดเท่าที่จำเป็น	/
ล้อหลัก		
ล้อปีนเสริม		
ถุงเก็บฝุ่น	/	ทุก 2 ถึง 4 เดือน
ผ้าถูพื้น		ทุก 1 ถึง 3 เดือน
สารป้องกันตะกรัน		ทุก 18 ถึง 36 เดือน

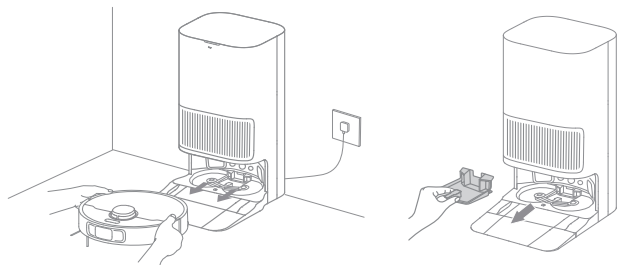
หมายเหตุ: ความถี่ของการบำรุงรักษาและเปลี่ยนใหม่ขึ้นอยู่กับการใช้งานจริง หากมีข้อยกเว้นเกิดขึ้นเนื่องจากสถานการณ์พิเศษ ขอแนะนำให้บำรุงรักษาหรือเปลี่ยนใหม่ทันที



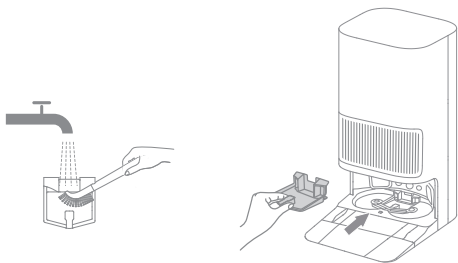
การบำรุงรักษาตามรอบปกติ

ตัวกรองกระดาษล้าง

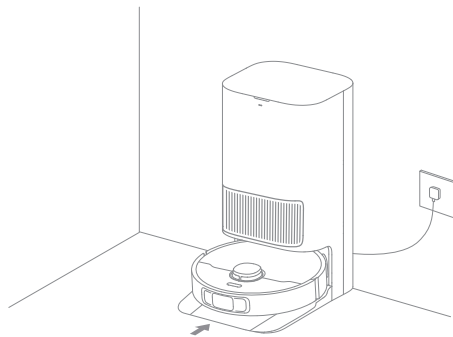
1. นำหุ่นยนต์ออกและถอดตัวกรองกระดาษล้างออกหลังจากการทำมา
สะอาดผ้าถูพื้นเสร็จสิ้น



2. ล้างตัวกรองกระดาษล้างด้วยน้ำสะอาด เช็ดให้สะอาด แล้วจึงติดตั้งกลับ
เข้าไปในกระดาษล้าง



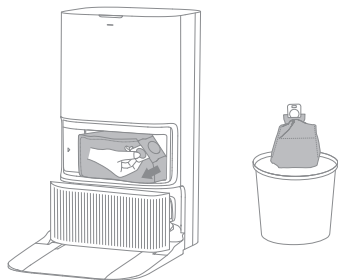
3. ใช้แอปหรือกดปุ่ม  เพื่อส่งหุ่นยนต์กลับไปที่แท่นหรือวางหุ่นยนต์กลับเข้า
ที่ด้วยตนเอง



การบำรุงรักษาตามรอบปกติ

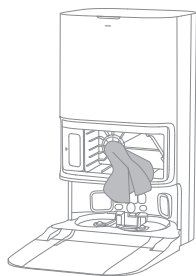
ถุงเก็บฝุ่น

1. ถอดฝาปิดถังเก็บฝุ่นออกและทิ้งถุงเก็บฝุ่น

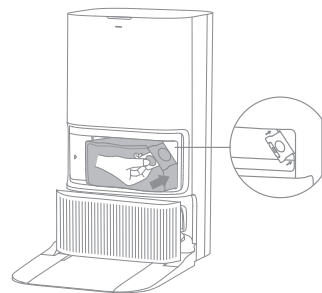


หมายเหตุ: การดึงตามจับขึ้นด้านบนจะเป็นการปิดปากถุงเพื่อป้องกันไม่ให้ฝุ่นและเศษขยะหลุดออกมาโดยไม่ตั้งใจ

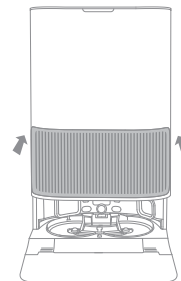
2. นำฝุ่นและเศษผงออกจากตัวกรองด้วยผ้าขนหนูแห้ง



3. ติดตั้งถุงเก็บฝุ่นอันใหม่



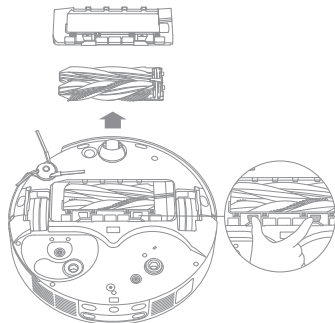
4. ติดตั้งฝาปิดถังเก็บฝุ่นกลับเข้าที่



การบำรุงรักษาตามรอบปกติ

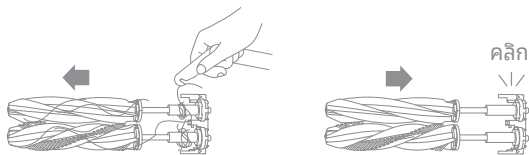
แปรงหลัก

1. กดคลิปตัวป้องกันแปรงเข้าด้านในเพื่อถอดที่ครอบแปรงหลักออกและจากนั้นยกแปรงออกจากหุ่นยนต์



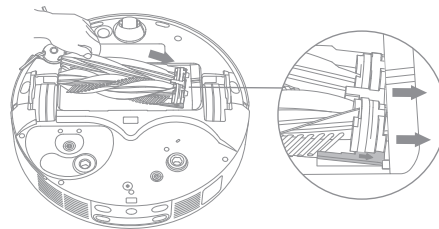
2. ดึงแปรงออกตามที่แสดงในรูป

ใช้ แปรงปิดฝุ่นที่หิวมาเพื่อกำจัดขนที่พันกันในแปรง หลังจากทำความสะอาดแล้วให้ดันแปรงเข้าไปในช่องใส่แปรงหลักให้แน่นจนกระทั่งเข้าที่

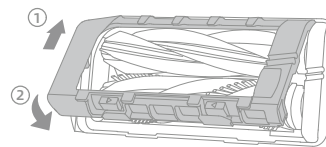


หมายเหตุ: ควรระมัดระวังในการดึงแปรงหลักออกเพื่อป้องกันการบาดเจ็บ

3. เสียบที่ใส่แปรงหลักเข้าไปในช่องโดยให้เอียงลง โดยให้ลูกศรหันขึ้นด้านบนบน



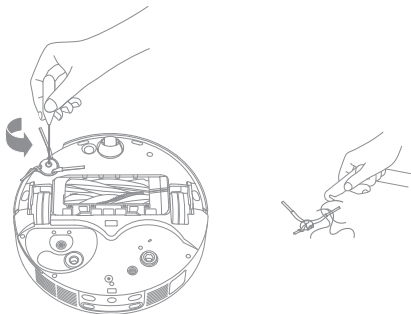
4. จัดตำแหน่งปลายด้านหน้าของที่ครอบแปรงหลักให้ตรงกับช่อง จากนั้นใส่ลงในลักษณะเอียง แล้วกดให้เข้าที่



การบำรุงรักษาตามรอบปกติ

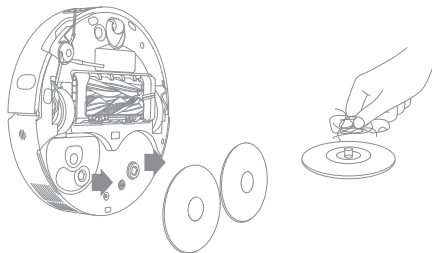
แปรงด้านข้าง

ถอดแปรงด้านข้างออกด้วยไขควง ทำความสะอาดเส้นผมที่อยู่บนแปรง จากนั้น
ขันสกรูกลับเข้าไป

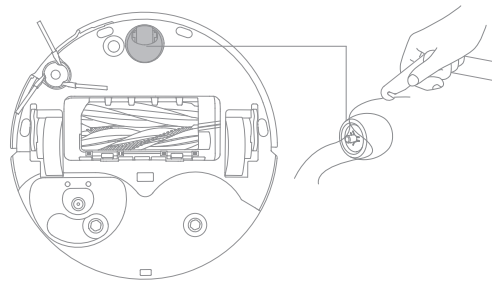


ที่ยึดผ้าถูพื้น

ถอดและทำความสะอาดที่ยึดผ้าถูพื้น



ล้อแบบหมุนรอบทิศทาง



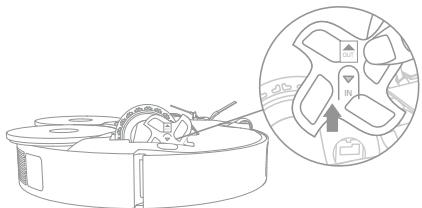
หมายเหตุ:

- ใช้เครื่องมือ เช่น ไขควงขนาดเล็ก เพื่อแยกเฟลาและยางของล้อแบบหมุนรอบทิศทาง
โปรดระมัดระวังอย่าออกแรงมากเกินไป
- ล้างล้อแบบหมุนรอบทิศทางด้วยน้ำสะอาด แล้วใส่กลับเข้าไปใหม่หลังจากทำให้แห้งสนิทแล้ว

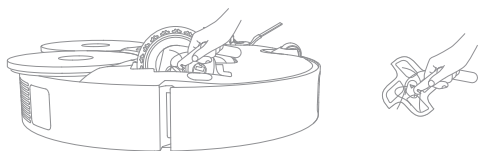
การบำรุงรักษาตามรอบปกติ

ล้อยื่นเสริมและล้อหลัก

1. หมุนล้อป็นเสริมจนกว่าลูกศร "OUT" จะหันขึ้นด้านบน จากนั้นดึงล้อออก

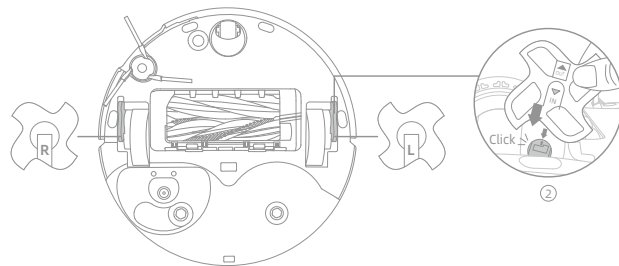
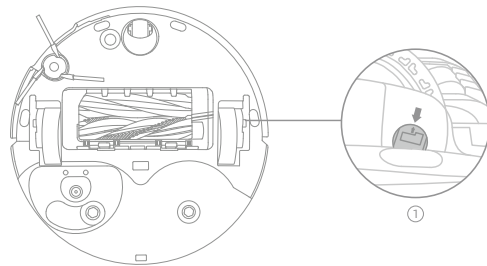


2. ใช้เครื่องมือที่เหมาะสมในการทำความสะอาดเส้นผมที่พันกันในล้อหลักและล้อป็นเสริม



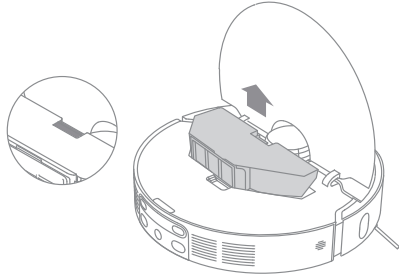
3. หลังจากทำความสะอาดแล้ว

ให้หมุนล้อหลักเพื่อจัดตำแหน่งลูกศรทั้งสอง (ดูรูปที่ ①) จากนั้น โดยให้ลูกศร "IN" หันลง ให้ใส่ล้อป็นเสริมด้านซ้ายและขวาตามลำดับจนกระทั่งเข้าที่ (ดูรูปที่ ②)

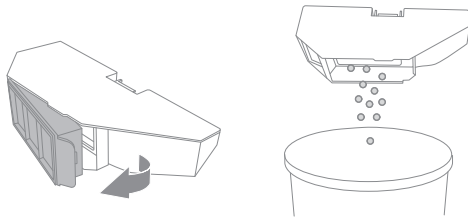


ตัวกรองและกล่องเก็บฝุ่น

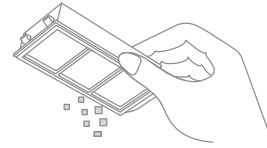
1. เปิดฝาปิดหุ่นยนต์ และกดคลิกปลงกล่องเก็บฝุ่นเพื่อถอดกล่องเก็บฝุ่นออกมา



2. ถอดตัวกรองกล่องเก็บฝุ่นออก แล้วจึงเทฝุ่นออกจากกล่องเก็บฝุ่น

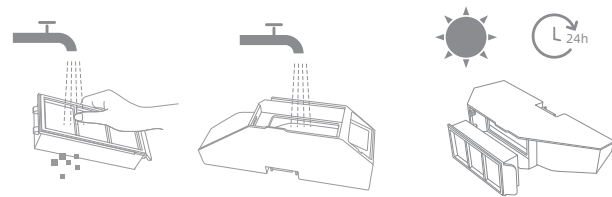


3. ค่อย ๆ เขย่าตัวกรองเพื่อขจัดสิ่งสกปรก



หมายเหตุ: อย่าพยายามทำความสะอาดตัวกรองด้วยแปรง นีวมือ หรือของมีคม เพื่อป้องกันการเกิดความเสียหาย

4. ล้างกล่องเก็บฝุ่นและตัวกรองด้วยน้ำสะอาดแล้วเช็ดให้แห้งก่อนติดตั้งใหม่

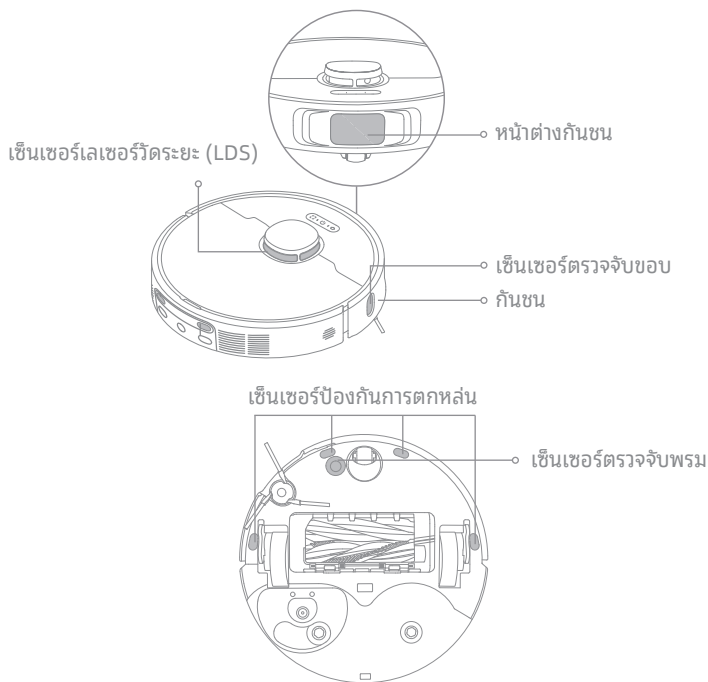


หมายเหตุ:
- ล้างกล่องเก็บฝุ่นและตัวกรองด้วยน้ำสะอาดเท่านั้น ห้ามใช้ผงซักฟอกทุกประเภท
- ใช้กล่องเก็บฝุ่นและตัวกรองก็ต่อเมื่ออุปกรณ์เหล่านี้แห้งสนิทแล้วเท่านั้น

การบำรุงรักษาตามรอบปกติ

เซ็นเซอร์หุ่นยนต์

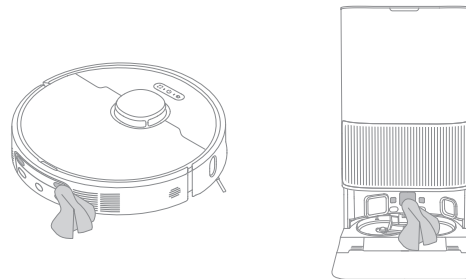
เช็ดเซ็นเซอร์ของหุ่นยนต์โดยใช้ผ้าขนหนูแห้ง ดังภาพตัวอย่าง:



หมายเหตุ: ผ้าเปียกสามารถสร้างความเสียหายให้แก่ส่วนประกอบที่ละเอียดอ่อนภายในหุ่นยนต์และแท่นได้ โปรดใช้ผ้าขนหนูแห้งในการทำความสะอาด

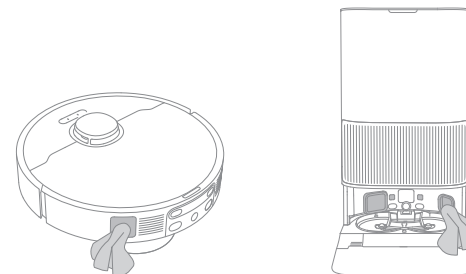
หน้าสัมผัสการชาร์จและพื้นที่รับส่งสัญญาณ

ทำความสะอาดหน้าสัมผัสการชาร์จและพื้นที่รับส่งสัญญาณด้วยผ้าขนหนูแห้ง



ช่องทิ้งฝุ่นอัตโนมัติ

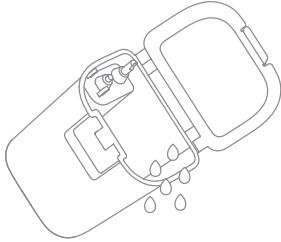
ทำความสะอาดช่องเทฝุ่นอัตโนมัติของหุ่นยนต์และแท่นด้วยผ้าขนหนูแห้ง



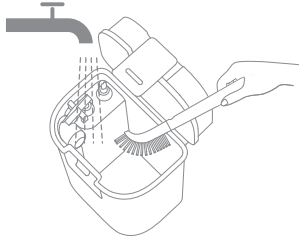
TH การบำรุงรักษาตามรอบปกติ

ล้างเก็บน้ำที่ใช้แล้ว

1. ถอดถังเก็บน้ำทิ้ง เปิดฝาปิดแล้วเทน้ำทิ้งออก



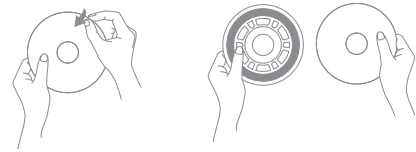
2. ล้างถังเก็บน้ำทิ้งด้วยน้ำสะอาด และใช้แปรงขัดฝุ่นที่ให้มาทำความสะอาด สะอาดผนังด้านในของถังเก็บน้ำทิ้ง



หมายเหตุ: ลูกลอยในถังเก็บน้ำทิ้งเป็นส่วนที่สามารถถอดออกได้ อย่าใช้แรงมากเกินไปเมื่อทำความสะอาดเพื่อหลีกเลี่ยงการเกิดความเสียหาย

ผ้าถูพื้น

ถอดผ้าถูพื้นออกจากที่ยึดผ้าถูพื้นเพื่อเปลี่ยนใหม่



แบตเตอรี่

หุ่นยนต์มีชุดแบตเตอรี่ลิเทียมไอออนประสิทธิภาพสูงบรรจุอยู่ใน ตรวจสอบให้แน่ใจว่าแบตเตอรี่ยังคงชาร์จไว้อย่างดีสำหรับการใช้งานทุกวันเพื่อรักษาประสิทธิภาพแบตเตอรี่ที่ดีที่สุด หากไม่ได้ใช้งานหุ่นยนต์เป็นเวลานาน ให้ปิดและนำไปเก็บ เพื่อป้องกันความเสียหายจากการคายประจุมากเกินไป โปรดชาร์จหุ่นยนต์อย่างน้อยทุก ๆ สามเดือน


การแก้ไขปัญหา

ปัญหา	วิธีการแก้ไข
ไม่สามารถเปิดใช้งาน หุ่นยนต์ได้	แบตเตอรี่ต่ำ ชาร์จหุ่นยนต์บนแท่น จากนั้น ลองอีกครั้ง อุณหภูมิของแบตเตอรี่ต่ำหรือสูงเกินไป ขอแนะนำให้ใช้งานหุ่นยนต์ที่อุณหภูมิระหว่าง 0°C (32 °F) ถึง 40°C (104 °F)
ไม่สามารถชาร์จหุ่นยนต์ได้	แท่นไม่ได้เชื่อมต่อกับแหล่งจ่ายไฟ โปรดตรวจสอบให้แน่ใจว่าได้เสียบปลั๊กสายไฟทั้งสองด้านอย่างถูกต้องแล้ว จุดเชื่อมต่อระหว่างจุดเชื่อมต่อการชาร์จบนแท่นและหุ่นยนต์ไม่ดี โปรดทำความสะอาดหน้าจุดเชื่อมต่อการชาร์จ ตรวจสอบว่ามีสิ่งแปลกปลอมอยู่ที่ขั้วต่อของหุ่นยนต์หรือไม่ และนำวัตถุแปลกปลอมออกถ้ามี
หุ่นยนต์เชื่อมต่อกับ Wi-Fi ล้มเหลว	รหัสผ่านเครือข่าย Wi-Fi ไม่ถูกต้อง ตรวจสอบให้แน่ใจว่ารหัสผ่านที่ใช้เชื่อมต่อกับเครือข่าย Wi-Fi ของคุณถูกต้อง หุ่นยนต์ไม่รองรับการเชื่อมต่อ Wi-Fi 5 GHz ตรวจสอบให้แน่ใจว่าหุ่นยนต์เชื่อมต่อกับการเชื่อมต่อ Wi-Fi 2.4 GHz สัญญาณ Wi-Fi ไม่เสถียร ตรวจสอบให้แน่ใจว่าหุ่นยนต์อยู่ในพื้นที่ที่มีสัญญาณ Wi-Fi เสถียรและราบรื่น หุ่นยนต์อาจไม่พร้อมสำหรับการติดตั้งค่า โปรดออกและเข้าแอปใหม่ จากนั้น ลองอีกครั้งตามคำแนะนำ
หุ่นยนต์ไม่สามารถค้นหาและ กลับไปแท่นได้	แท่นถูกตัดการเชื่อมต่อจากไฟฟ้าหรือถูกเคลื่อนย้ายเมื่อหุ่นยนต์ไม่ได้อยู่บนแท่นแล้ว โปรดเชื่อมต่อแท่นกับแหล่งจ่ายไฟหรือวาง หุ่นยนต์บนแท่นเพื่อทำการชาร์จ มีสิ่งกีดขวางรอบ ๆ แท่นมากเกินไป โปรดวางแท่นในพื้นที่โล่ง การเคลื่อนย้ายหุ่นยนต์อาจทำให้หุ่นยนต์เปลี่ยนตำแหน่งตัวเอง และจะสร้างแผนที่ใหม่หากการวางตำแหน่งใหม่ล้มเหลว หากหุ่นยนต์อยู่ห่างจากแท่นมากเกินไป หุ่นยนต์อาจไม่สามารถกลับมาได้เองโดยอัตโนมัติ ซึ่งในกรณีนี้ คุณต้องวางหุ่นยนต์ลงบนแท่นด้วยตนเอง ขีดพื้นที่รับส่งสัญญาณบนแท่นเพื่อขจัดฝุ่นหรือสิ่งสกปรก

การแก้ไขปัญหา

ปัญหา	วิธีการแก้ไข
หุ่นยนต์ติดอยู่หน้าแท่นและไม่สามารถกลับเข้าแท่นได้	ตรวจสอบว่ามีพื้นที่เพียงพอทั้งด้านข้างและด้านหน้าของแท่นเพื่อป้องกันไม่ให้หุ่นยนต์ถูกขวางเส้นทางสำหรับการกลับสู่การชาร์จถูกปิดกั้น เช่น ประตูถูกปิดอยู่ หุ่นยนต์อาจสั่นไถลได้หากพื้นด้านหน้าแท่นเปียกมากเกินไป หากเป็นเช่นนั้น ให้เช็ดคราบน้ำออกก่อนแล้วลองอีกครั้ง ขอแนะนำให้ย้ายแท่นไปที่อื่นแล้วลองอีกครั้ง ตรวจสอบให้แน่ใจว่าแผ่นทางลาดได้รับการติดตั้งอย่างถูกต้อง
หุ่นยนต์ไม่ยอมปิดเครื่อง	ไม่สามารถปิดหุ่นยนต์ในขณะที่กำลังชาร์จ ขอแนะนำให้ย้ายหุ่นยนต์ออกจากสถานีแท่น จากนั้น กดปุ่มเปิด/ปิดค้างไว้เป็นเวลา 3 วินาทีเพื่อปิดหุ่นยนต์ หากไม่สามารถปิดหุ่นยนต์ตามขั้นตอนที่ 1 ได้ ให้กด ปุ่มเปิด/ปิดค้างไว้ 10 วินาทีเพื่อบังคับปิดหุ่นยนต์ หากยังคงพบปัญหา โปรดติดต่อฝ่ายบริการหลังการขาย
ชาร์จช้า	เมื่อแบตเตอรี่เหลือน้อยจะใช้เวลาประมาณ 3.5 ชั่วโมงในการชาร์จหุ่นยนต์จนเต็ม หากคุณใช้งานหุ่นยนต์ที่อุณหภูมิเหนือจากช่วงที่กำหนด ความเร็วในการชาร์จจะช้าลงโดยอัตโนมัติเพื่อยืดอายุการใช้งานแบตเตอรี่ หน้าสัมผัสการชาร์จของทั้งหุ่นยนต์และแท่นอาจสกปรก โปรดเช็ดด้วยผ้าแห้ง
เกิดเสียงดังในขณะที่หุ่นยนต์กำลังทำงาน	ตรวจสอบว่าตัวกรองกล่องเก็บฝุ่นอุดตันหรือไม่ หากใช่ โปรดทำความสะอาดหรือเปลี่ยนใหม่ วัตถุที่เป็นของแข็งอาจติดอยู่ในแปรงหลักหรือกล่องเก็บฝุ่น ตรวจสอบและนำวัตถุแข็งออก แปรงหลักหรือแปรงด้านข้างอาจพันกันได้ ตรวจสอบและนำวัตถุแปลกปลอมออก เปลี่ยนโหมดการดูดเป็นมาตรฐานหรือเงียบ
หุ่นยนต์ไม่เคลื่อนที่ตามเส้นทางที่กำหนดไว้	ควรเก็บวัตถุต่าง ๆ เช่น สายไฟและรองเท้าแตะก่อนใช้งานหุ่นยนต์ การทำงานบนพื้นผิวที่เปียกชื้นอาจทำให้ล้อหลักสั่นไถลได้ ขอแนะนำให้เช็ดบริเวณที่เปียกชื้นให้แห้งก่อนใช้งานหุ่นยนต์ เช็ดหน้าต่างกันชนบนหุ่นยนต์ด้วยผ้าขนหนูเพื่อรักษาความสะอาดและป้องกันการอุดตัน

การแก้ไขปัญหา

ปัญหา	วิธีการแก้ไข
หุ่นยนต์ไม่ทำความสะอาดห้องที่กำหนดไว้	ตรวจสอบให้แน่ใจว่าประตูห้องที่จะทำความสะอาดเปิดอยู่ บริเวณหน้าห้องที่จะทำความสะอาดอาจเปียกและลื่น ทำให้หุ่นยนต์สั่นไถลและทำงานผิดปกติได้ โปรดเช็ดพื้นให้แห้งก่อนใช้งานหุ่นยนต์
หุ่นยนต์ไม่ทำความสะอาดต่อหลังชาร์จแบตเตอรี่	ตรวจสอบให้แน่ใจว่าไม่ได้ตั้งค่าหุ่นยนต์เป็นโหมดห้ามรบกวน (Do Not Disturb : DND) ซึ่งจะทำให้ไม่สามารถทำความสะอาดต่อได้ หุ่นยนต์จะไม่กลับมาทำความสะอาดหลังจากที่คุณวางหุ่นยนต์ด้วยตนเองบนแท่นหรือส่งหุ่นยนต์ไปชาร์จผ่านแอปหรือปุ่ม 
แท่นไม่สามารถล้างกล่องเก็บฝุ่นได้โดยอัตโนมัติ	ตรวจสอบว่าถุงเก็บฝุ่นในถังเก็บฝุ่นเต็มหรือไม่ หากถุงเก็บฝุ่นไม่เต็ม ให้ตรวจสอบว่ามีสิ่งกีดขวางที่ช่องเทฝุ่นอัตโนมัติของหุ่นยนต์ แท่น หรือกล่องเก็บฝุ่นหรือไม่ หากมีให้เก็บสิ่งกีดขวางออก
ระดับน้ำในกระดานล้างผิดปกติ	ตรวจสอบว่าซิลบ่นถังเก็บน้ำทิ้งหลวมหรือติดตั้งไม่ถูกต้องหรือไม่ หากเป็นเช่นนั้นให้รีเซ็ตด้วยตนเอง หากยังคงพบปัญหา โปรดติดต่อทีมบริการหลังการขาย กดถังเก็บน้ำทิ้งเบา ๆ เพื่อให้แน่ใจว่าติดตั้งถูกต้อง นำตัวกรองกระดานล้างออกและตรวจสอบว่าท่อระบายน้ำเสียดตันหรือไม่และทำความสะอาด ตรวจสอบน้ำยาทำความสะอาด ห้ามเติมของเหลวอื่นใดนอกเหนือจากน้ำยาทำความสะอาดที่ได้รับการรับรองอย่างเป็นทางการ
ที่ยึดผ้าถูพื้นยกขึ้นอย่างผิดปกติ	โปรดถอดที่ยึดผ้าถูพื้นออกเพื่อตรวจสอบว่ามีสิ่งแปลกปลอมติดอยู่หรือไม่ และลองรีเซ็ตารหุ่นยนต์ หากยังคงพบปัญหา โปรดติดต่อทีมบริการหลังการขาย
มีน้ำอยู่ใต้ถังเก็บน้ำสะอาดหรือบริเวณซิล	เมื่อนำถังเก็บน้ำสะอาดออกมาแล้ว อาจมีน้ำในท่อบางส่วนเหลืออยู่ใต้ถังหรือรอบ ๆ ซิล นี่เป็นเรื่องปกติ โปรดใช้ผ้าแห้งเช็ด

สำหรับการสนับสนุนเพิ่มเติม โปรดติดต่อเราทาง <https://global.dreametech.com>

ข้อมูลจำเพาะ

หุ่นยนต์

รุ่น	RLL22SE
เวลาในการชาร์จ	ประมาณ 3.5 ชั่วโมง
แรงดันไฟฟ้า	14.4 V \equiv
กำลังไฟ	75 W
ความถี่ในการทำงาน	2400-2483.5 MHz
กำลังเอาต์พุตสูงสุด	< 20 dBm

ภายใต้สภาพการใช้งานปกติ อุปกรณ์นี้ควรอยู่ห่างจากเสาอากาศและร่างกายของผู้ใช้งานอย่างน้อย 20 ซม.

แท่น/แท่นชาร์จไฟ

การใช้พลังงานในโหมดสแตนด์บาย: ≤ 0.5 W (ภายใน 15 นาทีหลังจากที่หุ่นยนต์ออกจากสถานีแท่น/แท่นชาร์จไฟ)

หุ่นยนต์และแท่น/แท่นชาร์จไฟ

อุปกรณ์ไม่มีโหมดสแตนด์บายหรือสถานะอื่นๆ ที่เทียบเท่าในแง่ของข้อกำหนดการสแตนด์บาย ฟังก์ชันการจัดการพลังงาน หรือความสามารถในการปิดการใช้งานการเชื่อมต่อเครือข่ายไร้สายเนื่องจากความต้องการการบำรุงรักษาแบตเตอรี่ การใช้พลังงานของอุปกรณ์มีแนวโน้มว่าจะสูงกว่าอุปกรณ์รุ่นอื่นๆ ที่ตอบสนองความต้องการของฟังก์ชันเหล่านี้

แท่น

รุ่น	RCLE0305
อัตราอินพุต	220-240 V ~ 50-60 Hz
อัตราเอาต์พุต	20 V \equiv 2 A
อัตรากำลังไฟ (ระหว่างการเทฝุ่น)	700 W
กำลังไฟ (ระหว่างการทำความสะอาด สะอาดด้วยน้ำร้อน)	1160 W
อัตรากำลังไฟ (ระหว่างการชาร์จและอบแห้ง)	87 W

หมายเหตุ:

- กำลังไฟ (ระหว่างการทำความสะอาดสะอาดด้วยน้ำร้อน) ถูกกำหนดโดยค่าพลังงานในช่วงดำเนินการ (อุณหภูมิของน้ำ 25°C)
- อัตรากำลังไฟ (ระหว่างการชาร์จและอบแห้ง) ถูกกำหนดโดยค่ากำลังไฟฟ้าในช่วงที่โหลดเต็ม

ชุดแบตเตอรี่ลิเทียมไอออนแบบชาร์จไฟได้

รุ่น	R2412-4S2P-MMBK/R2412-4S2P-KLYEV
แรงดันไฟฟ้าที่กำหนด	14.4 V \equiv
อัตราความจุ	4.8Ah
ความจุโดยทั่วไป	5.2Ah 74.88Wh

การทิ้งและการถอดแบตเตอรี่

ภายในแบตเตอรี่ลิเทียมไอออนมีสารที่เป็นอันตรายต่อสิ่งแวดล้อม ก่อนทิ้งแบตเตอรี่ ตรวจสอบให้แน่ใจว่าช่างผู้ชำนาญการได้ถอดแบตเตอรี่ออกแล้วนำไปทิ้งที่โรงงานรีไซเคิลที่เหมาะสม

- ต้องถอดแบตเตอรี่ออกจากเครื่องก่อนที่จะทิ้ง
- ต้องถอดอุปกรณ์ออกจากแหล่งจ่ายไฟหลักเมื่อถอดแบตเตอรี่ออก
- ควรทิ้งแบตเตอรี่อย่างปลอดภัย

ข้อควรระวัง:

ก่อนถอดแบตเตอรี่ ให้ถอดสายไฟออกและปล่อยให้แบตเตอรี่หมดให้มากที่สุด

ควรทิ้งแบตเตอรี่ที่ไม่ต้องการที่โรงงานรีไซเคิลที่เหมาะสม

อย่าให้อยู่ในสภาพแวดล้อมที่มีอุณหภูมิสูงเพื่อหลีกเลี่ยงความเสี่ยงจากการระเบิด

ภายใต้สภาวะที่ไม่เหมาะสม ของเหลวอาจรั่วไหลออกมาจากแบตเตอรี่ หากมีการสัมผัสเกิดขึ้น ให้ล้างออกด้วยน้ำสะอาดและขอความช่วยเหลือจากแพทย์

คู่มือการถอด:

1. พลิกหุ่นยนต์ ใช้เครื่องมือที่เหมาะสมเพื่อถอดสกรูที่ด้านหลังของหุ่นยนต์ จากนั้น ถอดฝาปิดออก
2. ถอดขั้วระหว่างแบตเตอรี่และบอร์ด PCB เพื่อถอดแบตเตอรี่ออก

ข้อมูล WEEE



ผลิตภัณฑ์ทั้งหมดที่มีสัญลักษณ์นี้เป็นขยะอิเล็กทรอนิกส์ (WEEE ตามข้อบังคับที่ 2012/19/EU) ซึ่งไม่ควรปะปนกับขยะในครัวเรือนที่ไม่ได้แยกประเภท คุณควรปกป้องสุขภาพของมนุษย์และสิ่งแวดล้อมด้วยการนำอุปกรณ์ของคุณไปยังจุดรวบรวมขยะอิเล็กทรอนิกส์ที่กำหนด ซึ่งตั้งโดยรัฐบาลหรือหน่วยงานท้องถิ่น การกำจัดและการรีไซเคิลที่ถูกต้องจะช่วยป้องกันผลเสียที่อาจเกิดขึ้นกับสิ่งแวดล้อมและสุขภาพของมนุษย์ โปรดติดต่อผู้ติดตั้งหรือเจ้าหน้าที่ท้องถิ่นเพื่อขอข้อมูลเพิ่มเติมเกี่ยวกับสถานที่ ตลอดจนข้อกำหนดและเงื่อนไขของจุดรวบรวมดังกล่าว

Informasi Keamanan

Untuk menghindari sengatan listrik, kebakaran, atau cedera yang disebabkan oleh penggunaan alat yang tidak sesuai, baca panduan pengguna dengan cermat sebelum menggunakan alat dan gunakan sebagai referensi untuk masa mendatang.

Batasan Penggunaan

- Sebaiknya produk ini tidak digunakan oleh anak-anak di bawah umur 8 tahun atau orang yang mengidap kelainan fisik, indra, intelektual, atau kurangnya pengalaman atau pengetahuan tanpa pengawasan dari orang tua atau wali untuk memastikan pengoperasian yang aman dan menghindari risiko apa pun. Pembersihan atau perawatan sebaiknya tidak dilakukan oleh anak-anak tanpa pengawasan.
- Hanya gunakan alat dengan unit catu daya yang tersedia dengan alat.
- Alat ini berisi baterai yang hanya dapat diganti oleh orang yang ahli.
- Pastikan area yang ingin dibersihkan aman. Anak-anak tidak boleh bermain dengan alat ini. Pastikan anak-anak dan hewan peliharaan berada dalam jarak yang aman saat robot beroperasi.
- Jangan memasang, mengisi daya, atau menggunakan alat di kamar mandi atau di sekitar kolam.
- Produk ini digunakan khusus untuk membersihkan lantai di lingkungan rumah. Jangan digunakan di luar ruangan, atau di permukaan yang bukan lantai, atau di lingkungan industri atau komersial.
- Pastikan alat beroperasi dengan benar di lingkungan yang tepat. Jika tidak, jangan gunakan alat ini.
- Kabel daya yang rusak harus diganti dengan kabel atau rakitan khusus yang tersedia dari produsen atau agen layanan.
- Jangan gunakan robot di area yang digantung di atas permukaan tanah tanpa penghalang sebagai pengaman.

Informasi Keamanan

Batasan Penggunaan

- Jangan letakkan robot secara terbalik. Jangan gunakan penutup LDS, penutup robot, atau bumper sebagai pegangan robot.
- Gunakan robot di lingkungan dengan suhu sekitar di atas 0 °C dan di bawah 40 °C. Pastikan tidak ada benda lengket atau cair di lantai.
- Untuk mencegah kerusakan atau bahaya yang disebabkan dari alat yang menyeret, bersihkan benda yang kendur dari lantai, dan lepaskan kabel atau kabel daya di jalur pembersihan sebelum mengoperasikan alat.
- Pindahkan barang yang mudah pecah dan barang kecil dari lantai agar robot tidak menabraknya dan mengakibatkan kerusakan.
- Jauhkan rambut, jari, dan bagian tubuh lainnya dari lubang penyedot pada robot.
- Jauhkan alat pembersih dari jangkauan anak-anak.
- Jangan operasikan alat di ruangan tempat bayi atau anak-anak tidur.
- Jangan letakkan anak-anak, hewan peliharaan, atau barang apa pun di atas robot, baik saat robot sedang diam maupun bergerak.
- Hanya air bersih dan larutan pembersih yang disetujui secara resmi yang boleh dimasukkan ke dalam tangki air bersih. Jangan tambahkan cairan lain apa pun seperti alkohol atau disinfektan. Rasio larutan pembersih dengan air bersih dapat dilihat di botol larutan pembersih. Jauhkan larutan pembersih dari jangkauan anak-anak.
- Jangan gunakan robot untuk membersihkan benda yang terbakar. Jangan gunakan robot untuk mengambil cairan yang mudah terbakar, gas korosif, atau asam pelarut murni.

Informasi Keamanan

Batasan Penggunaan

- Jangan menyedot objek yang keras atau tajam. Jangan menggunakan alat untuk mengambil objek seperti batu, lembaran kertas yang besar, atau barang apa pun yang dapat menyumbat alat.
- Steker harus dilepas dari stopkontak sebelum membersihkan atau melakukan perawatan pada alat.
- Jangan seka robot atau dok pengisian daya dengan kain basah atau membilas dengan cairan apa pun. Setelah membersihkan bagian yang dapat dicuci, keringkan sepenuhnya sebelum memasang kembali dan menggunakannya.
- Gunakan produk ini sesuai dengan petunjuk di Panduan Pengguna. Pengguna bertanggung jawab atas kerusakan atau kerugian yang timbul dari penggunaan produk ini yang tidak sesuai.

Baterai dan Pengisian Daya

- Jangan gunakan baterai atau dok pengisian daya pihak ketiga. Robot hanya dapat digunakan dengan dok pengisian daya model RCLE0305.
- Jangan mencoba membongkar, memperbaiki, atau mengubah baterai atau dok pengisian daya dengan tangan Anda sendiri.
- Jangan letakkan dok pengisian daya di dekat sumber panas.
- Jangan gunakan kain basah atau tangan basah untuk menyeka atau membersihkan kontak dok pengisian daya.
- Jangan buang baterai lama dengan cara yang tidak sesuai aturan. Baterai yang tidak diperlukan harus dibuang di fasilitas daur ulang yang sesuai.
- Jika kabel daya rusak, segera hentikan penggunaan dan hubungi layanan purnajual.

Informasi Keamanan

Baterai dan Pengisian Daya

- Pastikan robot dimatikan saat diangkut dan dimasukkan di kemasan aslinya jika memungkinkan.
- Jika robot tidak akan digunakan dalam waktu lama, isi dayanya hingga penuh, lalu nonaktifkan dan simpan di tempat yang sejuk serta kering. Isi ulang daya robot setidaknya sekali setiap 3 bulan untuk menghindari pelepasan daya baterai yang berlebihan.

Informasi Keamanan Laser

- Sensor laser dalam produk ini memenuhi Standar IEC 60825-1:2014/EN 60825-1:2014/A11:2021 untuk produk laser Kelas 1. Hindari kontak mata langsung dengan laser ini selama penggunaan.

PRODUK LASER KELAS 1

PRODUK LASER KONSUMEN

EN 50689:2021



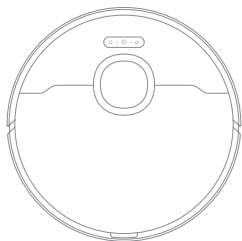
Hanya untuk penggunaan dalam ruangan



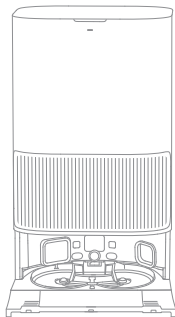
Baca panduan operator

Dengan ini, Dreame Trading (Tianjin) Co., Ltd. menyatakan bahwa perlengkapan radio jenis RLL22SE memenuhi Pedoman 2014/53/EU. Teks lengkap deklarasi kesesuaian Uni Eropa tersedia di alamat internet berikut: <https://global.dreametech.com>
Untuk perincian panduan elektroniknya, buka <https://global.dreametech.com/pages/user-manuals-and-faqs>

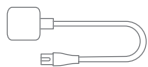
Isi Paket



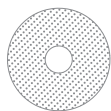
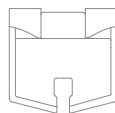
Robot

Dok Pengisian
Daya

Aksesori Lainnya



Kabel Daya

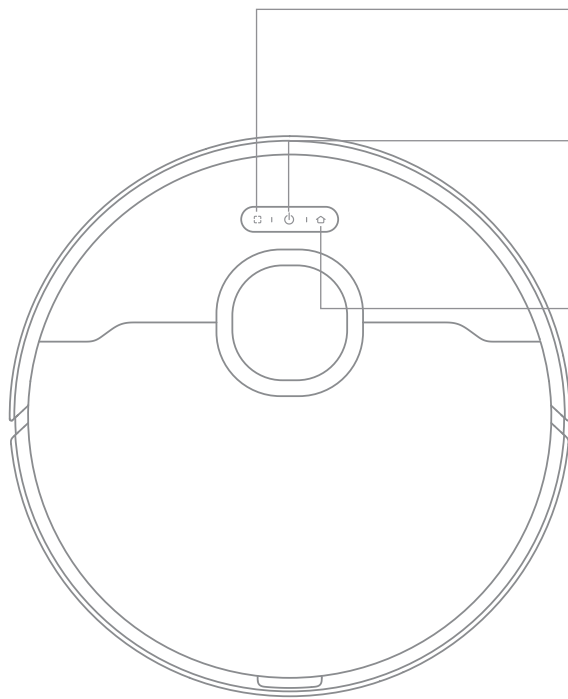
Pelat Ekstensi
Undakan Dok
Pengisian DayaPanduan
PenggunaKompartemen
Detergen Otomatis
(sudah terpasang)Kantong Debu × 2
(1 sudah
terpasang)Kain Pel × 2
(sudah
terpasang)Penjepit Kain
Pel × 2Filter Papan
Pencucian
(sudah terpasang)

Larutan Pembersih

Alat
Pembersih

Ikhtisar Produk

Robot



Tombol Pembersihan Spot

- Tekan untuk memulai pembersihan spot

Tombol Daya/Bersihkan

- Tekan dan tahan selama 3 detik untuk menyalakan atau mematikan
- Tekan untuk memulai pembersihan setelah robot dinyalakan

Tombol Dok

- Tekan untuk mengirim robot kembali ke dok pengisian daya
- Tekan dan tahan selama 3 detik untuk menonaktifkan Kunci Anak

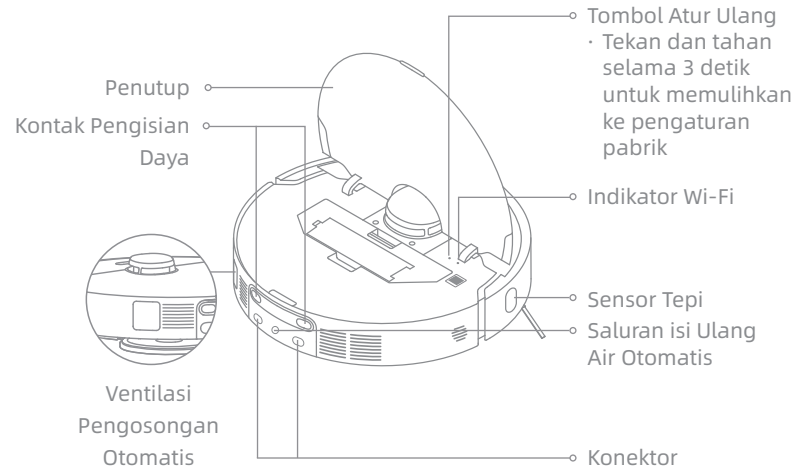
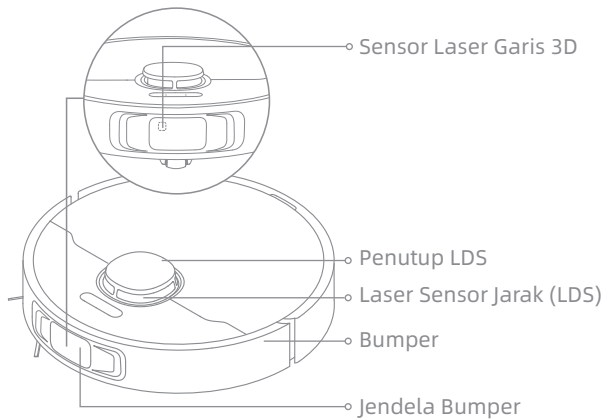
Indikator Status

- Putih Menyala: Pembersihan selesai
- Putih Bernapas: Mengisi daya (baterai belum lemah)
- Oranye Menyala: Robot sedang dalam mode menunggu atau terjeda saat baterai lemah
- Oranye Bernapas: Mengisi daya (baterai lemah)
- Oranye Berkedip: Kesalahan

Catatan:

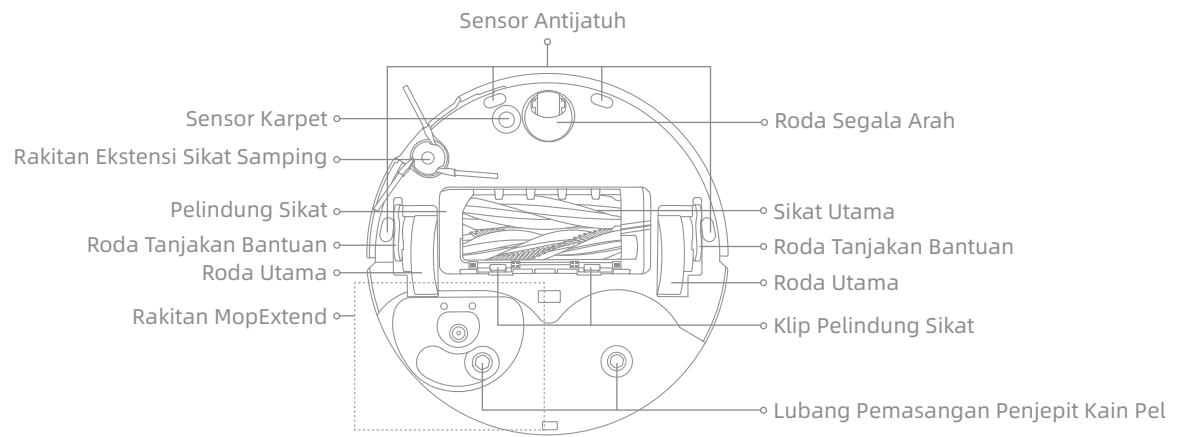
- Tekan tombol mana saja pada robot untuk menjeda saat robot sedang melakukan pembersihan atau mengembalikan ke pengisian daya.
- Kunci Anak dapat diaktifkan/dinonaktifkan melalui Aplikasi Dreamehome.

Robot dan Sensor

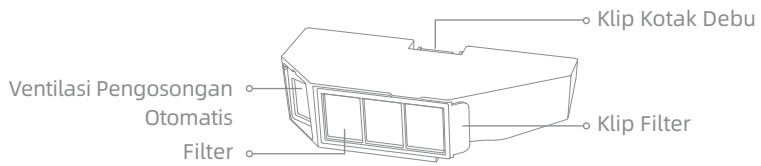


Ikhtisar Produk

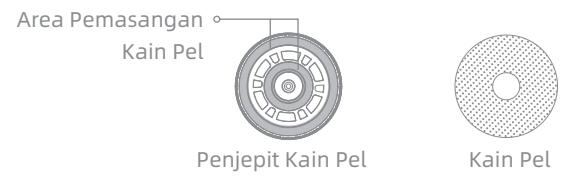
Robot dan Sensor



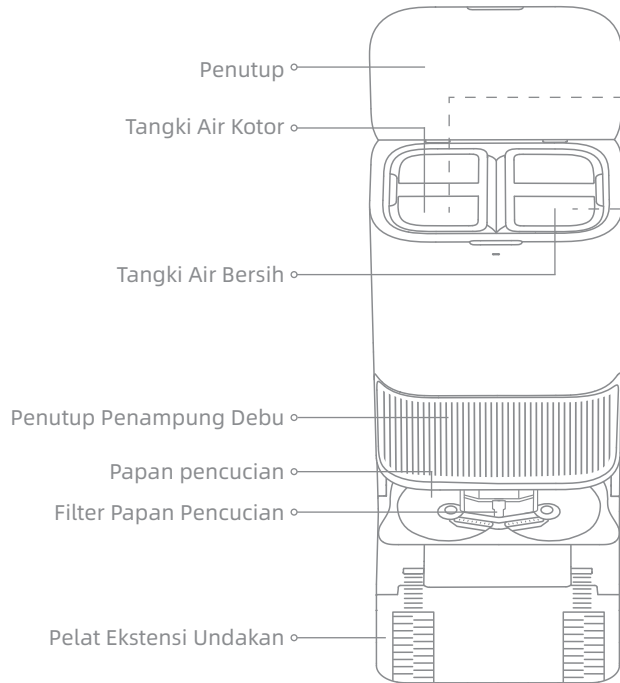
Kotak Debu



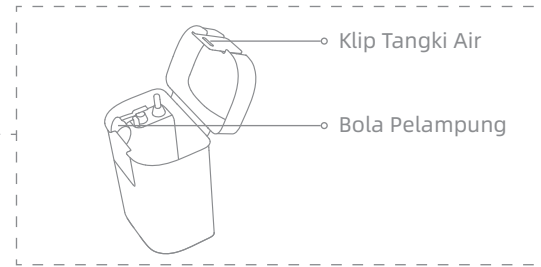
Rakitan Pel



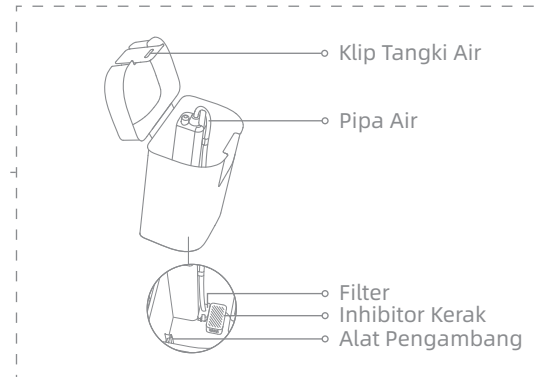
Dok Pengisian Daya



Tangki Air Kotor

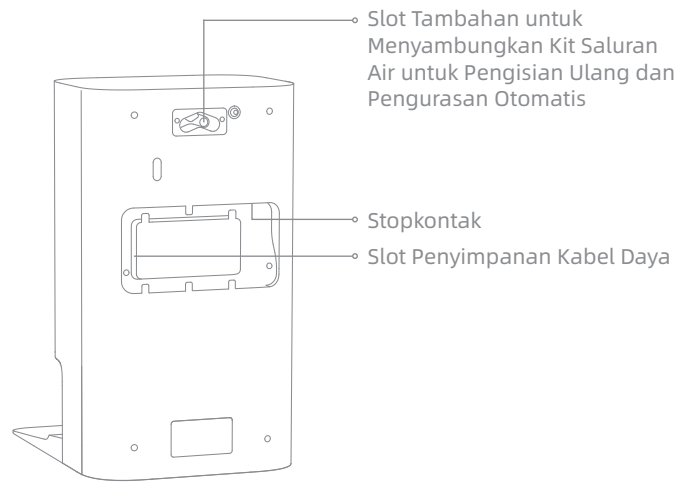
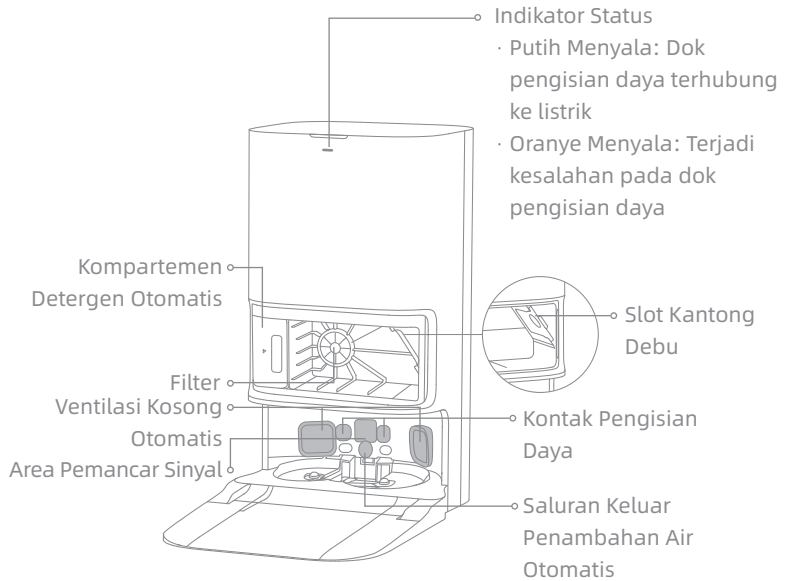


Tangki Air Bersih



Ikhtisar Produk

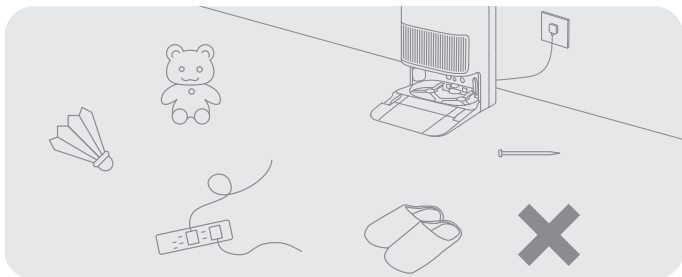
Dok Pengisian Daya



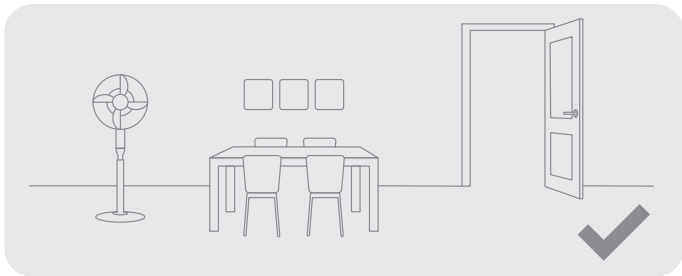
Catatan: Kit penyaluran air untuk pengisian ulang dan pengurasan otomatis dijual terpisah. (Hanya tersedia di wilayah tertentu)



ID Menyiapkan Rumah Anda



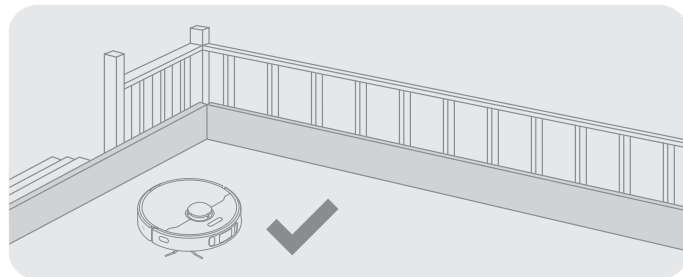
Sebelum pembersihan, singkirkan barang yang mudah jatuh, rapuh, berharga, atau berbahaya, dan rapikan kabel, pakaian, mainan, benda keras, dan benda tajam di permukaan lantai agar tidak tersangkut, tergores, atau terjatuh karena robot sehingga menyebabkan kerugian.



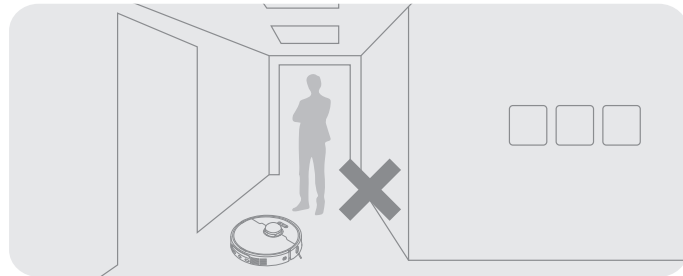
Buka pintu ruangan yang akan dibersihkan, dan letakkan perabot sesuai tempatnya untuk memberikan ruang yang lebih luas.

Catatan:

- Saat mengoperasikan robot untuk pertama kali, ikuti robot saat membersihkan untuk menyingkirkan rintangan tepat waktu.
- Jangan menyedot benda yang keras seperti batu, bola baja, dan komponen mainan, ataupun benda tajam seperti sampah konstruksi, pecahan kaca, dan kuku karena dapat menyebabkan permukaan lantai tergores.



Sebelum membersihkan, letakkan penghalang fisik di sudut tangga untuk memastikan robot beroperasi dengan lancar dan aman.

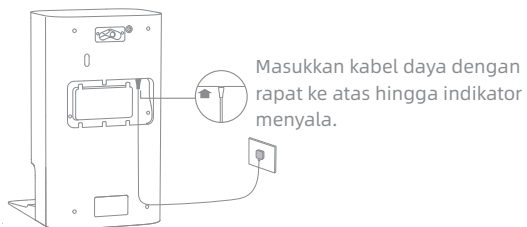
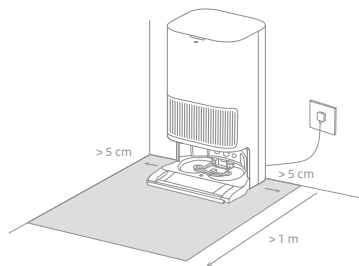


Agar robot tidak melewatkan area yang perlu dibersihkan, jangan berdiri di depan robot, depan pintu, lorong, atau ruangan sempit.

Sebelum Digunakan

1. Letakkan Dok Pengisian Daya dan Sambungkan ke Stopkontak

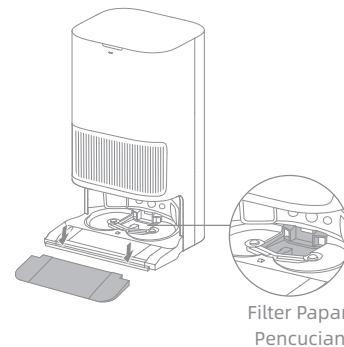
Letakkan dok pengisian daya di lokasi terbuka dengan sinyal Wi-Fi yang bagus. Sisakan ruang yang cukup seperti yang ditunjukkan pada gambar dan singkirkan objek apa pun di area yang diarsir. Masukkan kabel daya ke dok pengisian daya dan tancapkan ke stopkontak.



Catatan:

- Pastikan tidak ada objek yang mungkin menghalangi area pemancar sinyal.
- Untuk mencegah noda air mengotori lantai kayu atau karpet, disarankan untuk meletakkan dok pengisian daya di lantai keramik atau marmer.

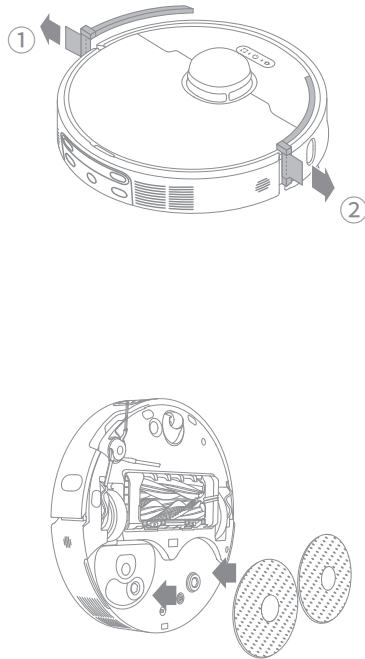
2. Pasang Pelat Ekstensi Undakan



Catatan: Pastikan filter papan pencucian dipasang pada tempatnya.

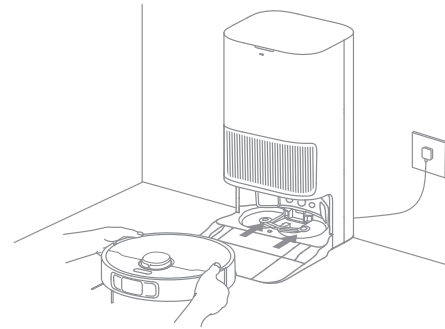
Sebelum Digunakan

3. Lepas Pelindung Robot dan Pasang Rakitan Pel



4. Sambungkan Robot ke Dok Pengisian Daya

Tekan dan tahan tombol daya pada robot selama 3 detik untuk menyalakannya. Letakkan robot pada dok pengisian daya dengan posisi rakitan pel mengarah ke papan pencucian. Kemudian, Anda akan mendengar notifikasi suara saat robot berhasil terhubung ke dok pengisian daya. Setelah daya robot terisi penuh, indikator status pada robot dan dok pengisian daya akan tetap menyala selama 10 menit, lalu meredup.

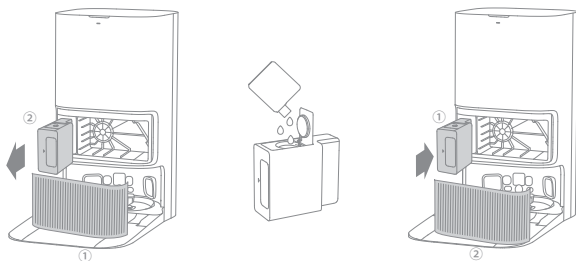


Catatan: Sebaiknya isi penuh daya robot sebelum digunakan untuk pertama kali. Saat robot tidak dapat dinyalakan setelah baterai habis, sambungkan robot ke dok pengisian daya secara manual untuk mengisi daya.

Sebelum Digunakan

5. Tambahkan Larutan Pembersih

- (1) Lepas penutup penampung debu dan tarik kompartemen detergen otomatis.
- (2) Buka tutup atas kompartemen dan tambahkan larutan pembersih.
- (3) Tutup penutup kompartemen, kembalikan ke dok pengisian daya, lalu pasang kembali penutup penampung debu. Larutan pembersih akan ditambahkan secara otomatis selagi berfungsi.

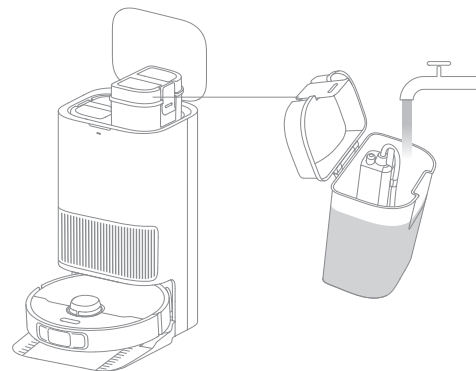


Catatan:

- Kompartemen detergen otomatis dapat diisi dengan larutan pembersih untuk digunakan. Jangan menambahkan larutan apa pun kecuali larutan pembersih yang sudah disetujui secara resmi agar tidak terjadi malafungsi.
- Pasang kompartemen detergen otomatis pada tempatnya sampai terdengar bunyi klik.

6. Masukkan Air ke Tangki Air Bersih

Keluarkan tangki air bersih dari dok pengisian daya dan isi tangki dengan air bersih. Kemudian, pasang kembali pada dok pengisian daya.

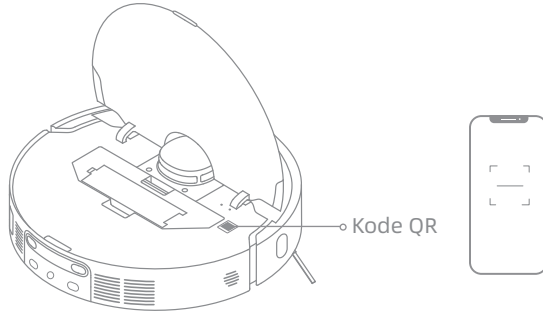


Catatan: Jangan masukkan air panas ke dalam tangki air karena dapat menyebabkan tangki air berubah bentuk.

Menghubungkan dengan Aplikasi Dreamehome

1. Unduh Aplikasi Dreamehome

Pindai kode QR pada robot, atau telusuri "Dreamehome" di toko aplikasi untuk mengunduh dan menginstal aplikasi.

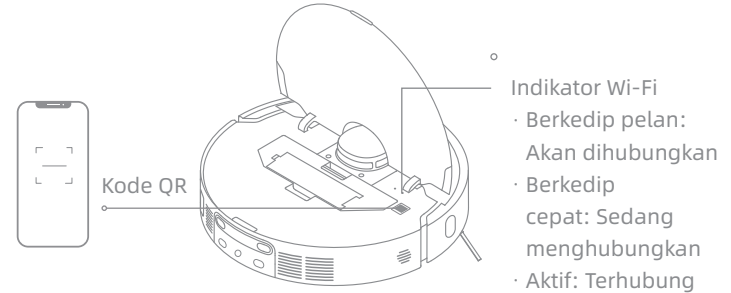


Catatan:

- Hanya mendukung Wi-Fi 2,4 GHz.
- Adanya peningkatan pada perangkat lunak aplikasi, pengoperasian sebenarnya mungkin berbeda dengan arahan dalam manual ini. Harap ikuti petunjuk berdasarkan versi aplikasi saat ini.

2. Tambahkan Perangkat

Buka aplikasi Dreamehome, ketuk "Pindai kode QR untuk menghubungkan", dan pindai lagi kode QR yang sama pada robot untuk menambahkan perangkat. Harap ikuti arahan untuk menyelesaikan penyambungan Wi-Fi.



Catatan:

- Untuk mengatur ulang Wi-Fi, ulangi langkah 2, kemudian ikuti arahan untuk menyelesaikan penyambungan Wi-Fi.
- Untuk memutuskan sambungan perangkat dari jaringan Wi-Fi, tekan dan tahan tombol Atur Ulang pada robot selama 3 detik.

Cara Menggunakan

Menyalakan/Mematikan

Tekan dan tahan tombol daya selama 3 detik untuk menyalakan robot. Indikator daya akan tetap menyala. Atau, letakkan robot pada dok pengisian daya dengan menyelaraskan kontak pengisian daya robot dengan yang ada di dok pengisian daya, lalu robot akan otomatis menyala dan mulai mengisi daya. Untuk mematikan robot, jauhkan robot dari dok pengisian daya, lalu tekan dan tahan tombol daya selama 3 detik.

Pemetaan Cepat

Setelah mengonfigurasi jaringan untuk pertama kali, ikuti instruksi di aplikasi untuk membuat peta dengan cepat. Robot akan mulai memetakan tanpa membersihkan. Saat robot kembali ke dok pengisian daya, proses pemetaan telah selesai dan peta akan disimpan secara otomatis.

Jeda/Tidur

Saat robot bekerja, tekan tombol apa pun untuk menjeda. Jika robot dijeda selama lebih dari 10 menit, robot akan otomatis memasuki mode tidur. Semua indikator pada robot akan mati. Tekan tombol apa pun pada robot, atau gunakan aplikasi untuk membangunkan robot.

Catatan: Jika robot dijeda dan diletakkan pada dok pengisian daya, proses pembersihan saat ini akan berakhir.

Melanjutkan Pembersihan Otomatis

Jika baterai terlalu rendah, robot akan secara otomatis kembali ke dok pengisian daya untuk mengisi daya. Pembersihan yang belum selesai akan dilanjutkan setelah mengisi daya hingga level baterai yang sesuai.

Catatan: Untuk menggunakan fungsi ini, harap aktifkan di aplikasi.


Mode Jangan Ganggu (DND)

Saat robot diatur ke mode Jangan Ganggu (DND), robot tidak akan melanjutkan pembersihan. Mode DND dinonaktifkan secara default pada pengaturan pabrik. Anda dapat menggunakan aplikasi untuk mengaktifkan mode DND atau mengubah periode DND. Periode DND adalah pukul 22:00-8:00 secara default.

Catatan:

- Pembersihan terjadwal akan dijalankan seperti biasa selama periode DND.
- Robot akan melanjutkan pembersihan yang belum selesai setelah periode DND berakhir.

Pembersihan Spot

Saat robot sedang dalam mode menunggu, tekan sebentar tombol  untuk mengaktifkan mode pembersihan spot. Dalam mode ini, robot membersihkan area berbentuk persegi seluas 1,5 x 1,5 meter di sekitarnya, lalu kembali ke titik awal setelah pembersihan spot selesai.

Memulai Ulang Robot

Jika robot berhenti merespons atau tidak dapat dimatikan, tekan dan tahan tombol daya selama 10 detik untuk memmatikannya secara paksa. Setelah itu, tekan dan tahan tombol daya selama 3 detik untuk menyalakan robot.

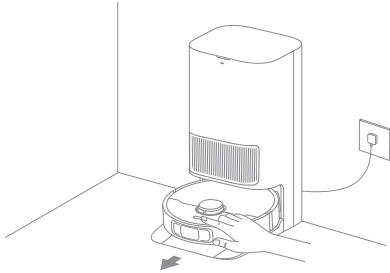
Cara Menggunakan

Penyedotan Debu dan Pengepelan

Catatan: Saat pertama kali menggunakan rakitan pel, robot akan menjalankan tugas "Penyedot Debu dan Pel" secara default.

1. Memulai pembersihan

Tekan tombol daya di robot, atau gunakan aplikasi untuk mulai menjalankan robot dari dok pengisian daya. Setelah itu, robot akan membuat rute pembersihan optimal dan menjalankan tugas pembersihan sesuai peta yang telah dibuat.

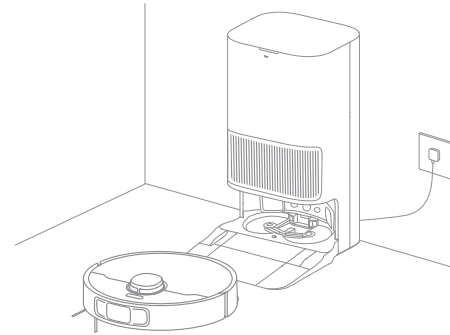


Catatan:

- Untuk memastikan robot kembali ke dok pengisian daya dengan mudah setelah melakukan pembersihan, sebaiknya mulai jalankan robot dari dok pengisian daya.
- Kain pel akan dibersihkan sebelum robot mulai mengepel, harap tunggu dengan sabar.
- Jangan pindahkan dok pengisian daya, tangki air bersih, tangki air kotor, atau filter papan pencucian selama mesin berjalan.
- Pembersihan air panas dapat diaktifkan di aplikasi untuk pembersihan kain pel, dan ini berlaku untuk semua mode. Untuk mencegah luka bakar, jangan sentuh saluran keluar air saat sedang digunakan.

2. Cuci pel secara otomatis

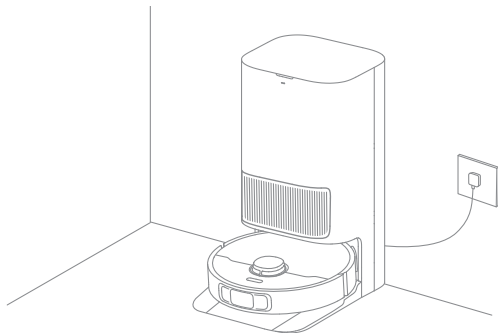
Saat membersihkan, robot akan otomatis kembali ke dok pengisian daya untuk mencuci kain pel sesuai dengan frekuensi pembersihan kain pel yang telah ditentukan dalam aplikasi. Dok pengisian daya akan otomatis mengisi ulang tangki air robot, lalu robot akan melanjutkan pembersihan.



Cara Menggunakan

3. Kosongkan kotak debu secara otomatis serta cuci dan keringkan kain pel

Setelah robot selesai menjalankan tugas pembersihan dan kembali ke dok pengisian daya untuk mengisi daya, dok pengisian daya akan otomatis mengosongkan kotak debu, lalu membersihkan dan mengeringkan kain pel.



Catatan:

- Jika fungsi kosong otomatis dimatikan di aplikasi, dok pengisian daya tidak akan otomatis mengosongkan kotak debu.
- Dok pengisian daya akan mengosongkan kotak debu sesuai pengaturan dalam aplikasi.

4. Bersihkan tangki air kotor

Setelah robot selesai membersihkan, harap bersihkan tangki air kotor untuk mencegah bau apa pun.

Mengepel Setelah Menyedot Debu

Setelah mengaktifkan fungsi mengepel setelah menyedot debu di aplikasi, robot akan otomatis melepas rakitan pel di dok pengisian daya untuk menyedot debu di lantai. Jika proses menyedot debu selesai, robot akan kembali ke dok pengisian daya untuk memasang rakitan pel dan dok pengisian daya akan otomatis mengosongkan kotak debu. Kemudian, robot akan mulai mengepel setelah sikat samping diangkat.

Hanya Menyedot Debu

Setelah mengaktifkan fungsi menyedot debu di aplikasi, robot akan otomatis melepas rakitan pel di dok pengisian daya dan mulai menyedot debu.

Hanya Mengepel

Setelah mengaktifkan fungsi mengepel di aplikasi, robot akan otomatis mengecek apakah rakitan pel sudah terpasang saat tiba di dok pengisian daya. Jika belum terpasang, robot akan memasang rakitan pel dan mulai mengepel setelah sikat sampingnya diangkat.

Perawatan Rutin

Bagian-Bagian

Agar robot tetap dalam kondisi baik, sebaiknya lihat panduan penggunaan aksesoris di aplikasi atau tabel berikut untuk perawatan rutin.

Bagian	Frekuensi Perawatan	Periode Penggantian
Tangki air kotor	Setelah setiap kali penggunaan	/
Tangki air bersih	Setiap 2 minggu sekali	Setiap 6 sampai 12 bulan
Sikat utama		
Filter kotak debu		Setiap 3 sampai 6 bulan
Sikat samping		/
Penjepit kain pel		/
Filter papan pencucian	Setiap 1 sampai 2 bulan	/
Area pemancar sinyal dok pengisian daya	Sekali setiap bulan	
Kontak pengisian daya		
Ventilasi Kosong Otomatis		
Roda segala arah		
Sensor tepi		
Laser Sensor Jarak (LDS)		
Sensor Laser Garis 3D		
Sensor karpet		
Sensor antijatuhan		

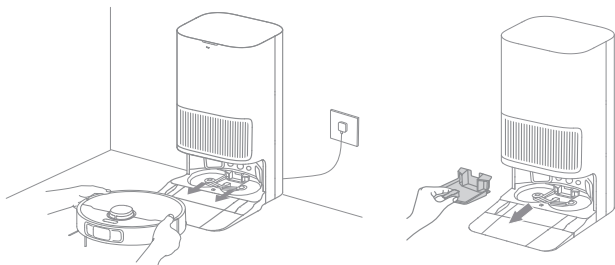
Bagian	Frekuensi Perawatan	Periode Penggantian
Jendela bumper	Sekali setiap bulan	/
Bumper		
Saluran isi ulang air otomatis robot		
Bagian bawah robot		
Kotak debu		
Kotak debu	Bersihkan sesuai kebutuhan	/
Roda utama		
Roda tanjakan bantuan		
Kantong debu	/	Setiap 2 sampai 4 bulan
Kain pel		Setiap 1 sampai 3 bulan
Inhibitor kerak		Setiap 18 sampai 36 bulan

Catatan: Frekuensi pemeliharaan dan penggantian tergantung penggunaan sebenarnya. Jika kerusakan terjadi karena keadaan tertentu, sebaiknya segera lakukan pemeliharaan atau penggantian.

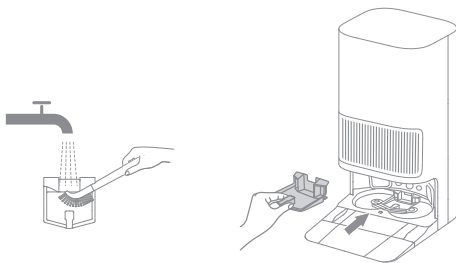
Perawatan Rutin


Filter Papan Pencucian

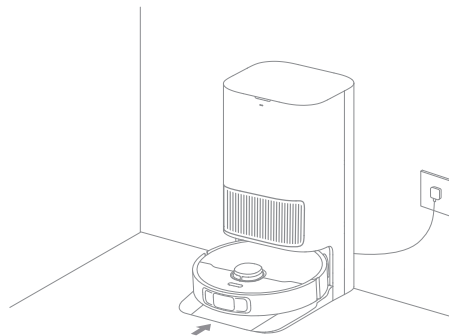
1. Keluarkan robot dan lepaskan filter papan pencucian setelah pembersihan kain pel selesai.



2. Bilas filter papan pencucian dengan air bersih, seka hingga bersih, lalu pasang kembali ke dalam papan pencucian.



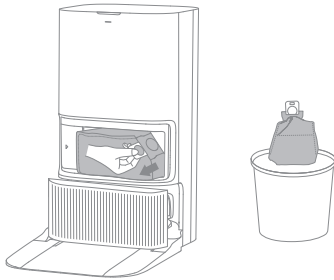
3. Gunakan aplikasi atau tekan tombol  untuk mengembalikan robot ke dok pengisian daya, atau taruh robot kembali secara manual.



Perawatan Rutin

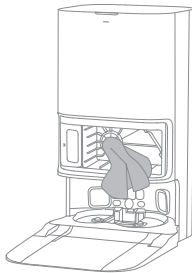
Kantong Debu

1. Lepas penutup penampung debu, lalu buang kantong debu.

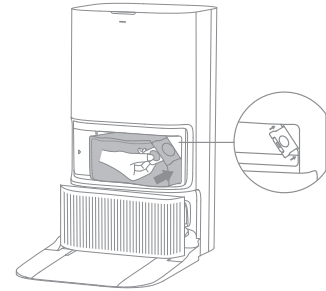


Catatan: Menarik pegangan ke atas akan menyegel kantong untuk mencegah debu dan kotoran jatuh secara tidak sengaja.

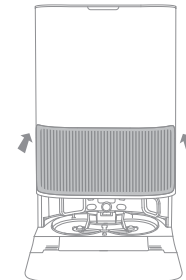
2. Bersihkan debu dan kotoran dalam filter menggunakan kain kering.



3. Pasang kantong debu baru.



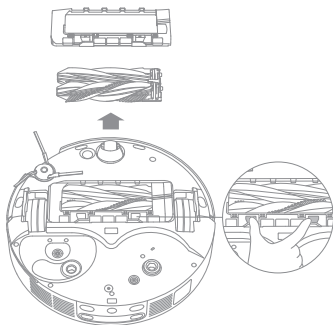
4. Pasang ulang penutup penampung debu.



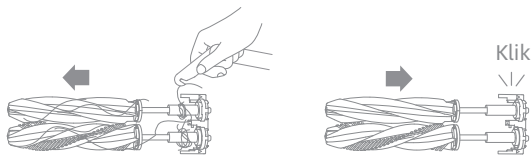
Perawatan Rutin

Sikat Utama

1. Tekan klip pelindung sikat ke dalam untuk melepas pelindung sikat, lalu keluarkan sikat dari robot.

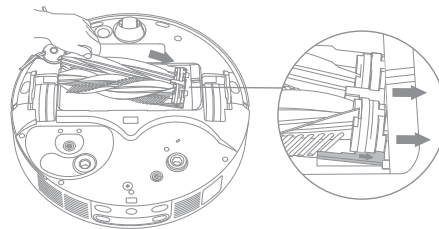


2. Tarik sikat seperti yang ditunjukkan pada gambar. Gunakan alat pembersih yang disediakan untuk membuang rambut yang tersangkut di sikat. Setelah membersihkan, tekan sikat dengan keras ke penjepit sikat utama sampai terdengar bunyi "klik".

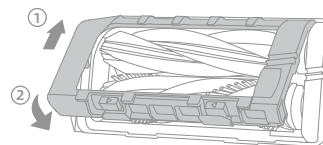


Catatan: Berhati-hatilah saat menarik sikat utama untuk mencegah cedera.

3. Dengan panah tercetak menghadap ke atas, masukkan penjepit sikat utama pada slot menghadap bawah secara miring.



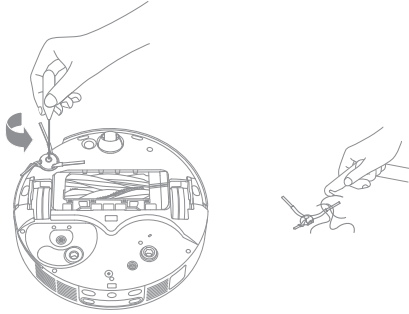
4. Selaraskan ujung depan pelindung sikat dengan slot, masukkan menghadap bawah secara miring, lalu tekan pada tempatnya.



Perawatan Rutin

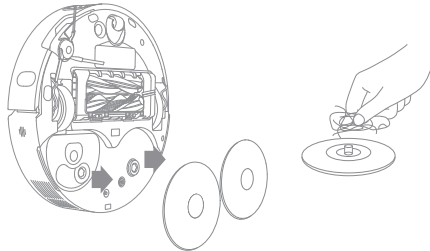
Sikat Samping

Lepas sekrup sikat samping dengan obeng, buang rambut yang tersangkut di sikat, lalu pasang kembali sekrupnya.

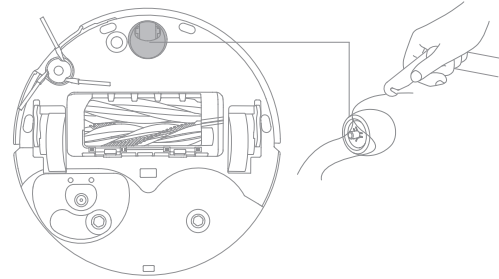


Penjepit Kain Pel

Lepaskan dan bersihkan penjepit kain pel.



Roda Segala Arah



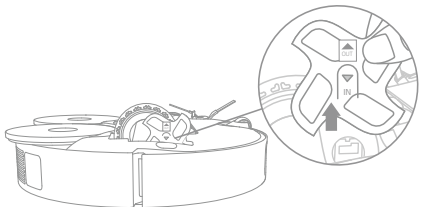
Catatan:

- Gunakan alat semacam obeng kecil untuk melepaskan poros dan roda segala arah. Jangan terlalu keras saat melepaskannya.
- Bilas roda segala arah dengan air mengalir dan pasang kembali setelah benar-benar kering.

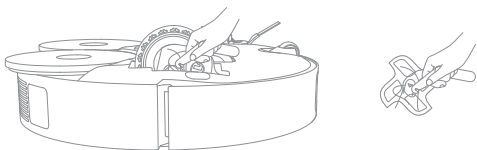
Perawatan Rutin

Roda Tanjakan Bantuan dan Roda Utama

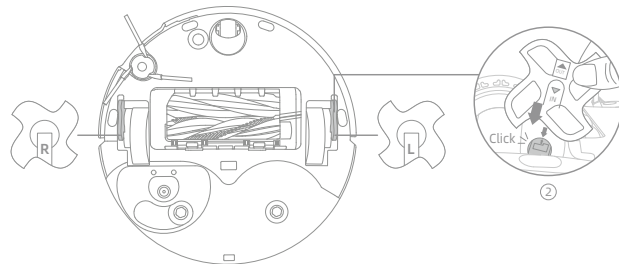
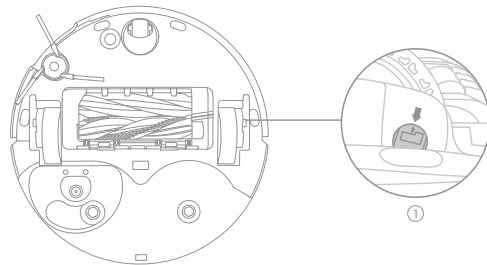
1. Putar roda tanjakan bantuan sampai panah "OUT" menghadap ke atas, lalu tarik keluar rodanya.



2. Gunakan alat yang tepat untuk membersihkan rambut yang membelit di roda utama dan roda tanjakan bantuan.



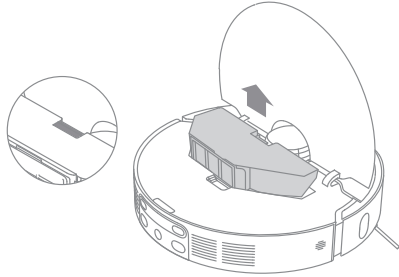
3. Setelah membersihkan, putar roda utama untuk menyelaraskan dua panah (lihat Gambar ①). Setelah itu, dengan panah "IN" menghadap ke bawah, masukkan roda tanjakan bantuan kiri dan kanan dengan sesuai sampai terdengar bunyi klik pada tempatnya. (lihat Gambar ②).



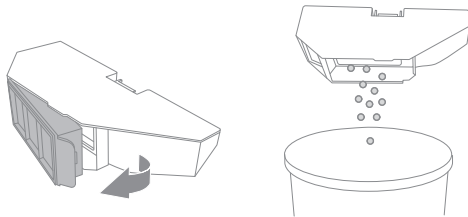
Perawatan Rutin

Kotak Debu dan Filter

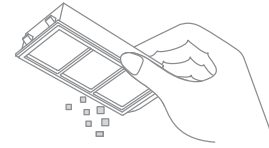
1. Buka penutup robot dan tekan klip kotak debu untuk mencopot kotak debu.



2. Lepas filter kotak debu, lalu kosongkan kotak debu.

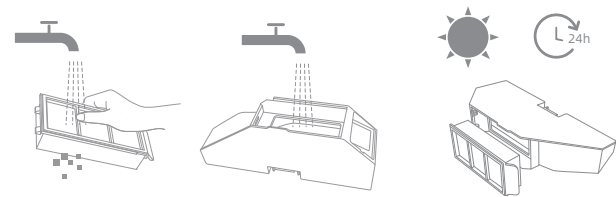


3. Ketuk pelan wadah filter untuk menghilangkan kotoran.



Catatan: Jangan bersihkan filter dengan sikat, jari, atau benda tajam untuk mencegah kerusakan.

4. Bilas kotak debu dan filter dengan air, lalu keringkan keduanya sampai benar-benar kering sebelum dipasang kembali.



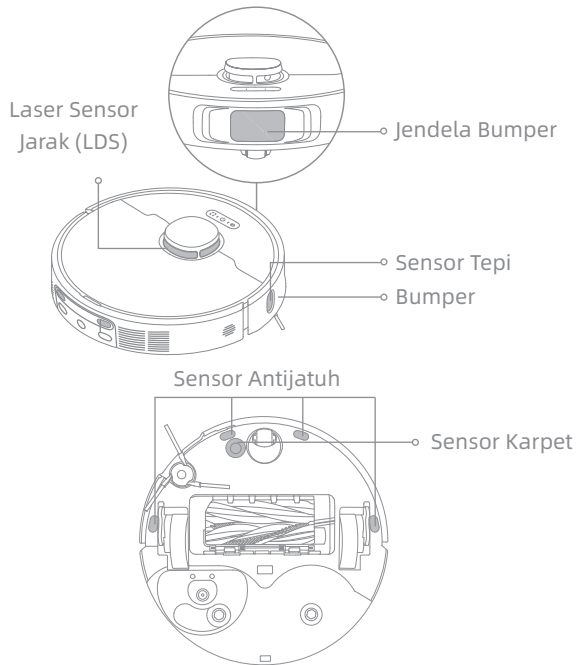
Catatan:

- Bilas kotak debu dan filter menggunakan air bersih saja. Jangan gunakan deterjen apa pun.
- Gunakan kotak debu dan filter saat keduanya benar-benar kering.

Perawatan Rutin

Sensor Robot

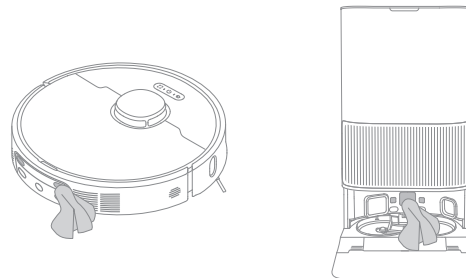
Usap sensor robot menggunakan kain lembut dan kering, seperti yang ditunjukkan pada gambar di bawah ini:



Catatan: Kain yang basah dapat merusak elemen sensitif yang ada di dalam robot dan dok pengisian daya. Bersihkan menggunakan kain kering.

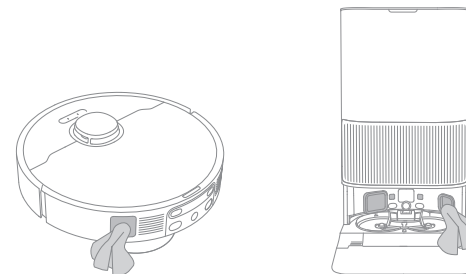
Kontak Pengisian Daya dan Area Pemancar Sinyal

Bersihkan kontak pengisian daya dan area pemancar sinyal menggunakan kain yang lembut dan kering.



Ventilasi Kosong Otomatis

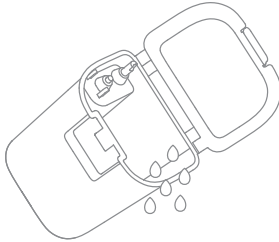
Bersihkan ventilasi pengosongan otomatis robot dan dok pengisian daya menggunakan kain yang lembut dan kering.



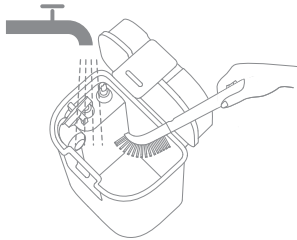
Perawatan Rutin

Tangki Air Kotor

1. Lepas tangki air kotor, buka penutupnya, dan buang air kotor.



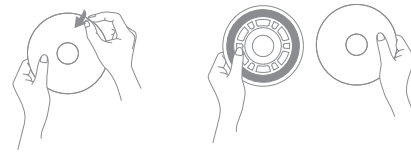
2. Bilas tangki air kotor dengan air bersih, dan gunakan alat pembersih yang disediakan untuk membersihkan sisi bagian dalam tangki air kotor.



Catatan: Bola pelampung dalam tangki air kotor adalah bagian yang dapat digerakkan. Jangan terlalu keras saat membersihkannya agar bola pelampung tidak rusak.

Kain Pel

Lepaskan kain pel dari penjepit kain pel untuk menggantinya.



Baterai

Robot menggunakan paket baterai litium-ion berkinerja tinggi. Pastikan baterai terisi daya dengan cukup untuk penggunaan sehari-hari agar kinerja baterai tetap optimal. Jika robot tidak akan digunakan dalam waktu lama, matikan dan simpan. Untuk mencegah kerusakan akibat pelepasan daya berlebih, isi daya robot setidaknya tiga bulan sekali.


Penyelesaian Masalah

Masalah	Solusi
Robot tidak menyala.	Baterai lemah. Isi daya robot di dok pengisian daya dan coba sekali lagi. Suhu baterai terlalu rendah atau tinggi. Sebaiknya, gunakan alat ini pada suhu antara 0 °C (32 °F) dan 40 °C (104 °F).
Robot tidak mengisi daya.	Dok pengisian daya tidak terhubung ke sumber listrik, pastikan kedua ujung kabel daya menancap dengan benar. Kontak antara kontak pengisian daya pada dok pengisian daya dan robot kotor, bersihkan kontak pengisian daya. Periksa apakah ada benda asing di konektor robot dan bersihkan jika ada.
Robot gagal terhubung ke Wi-Fi.	Kata sandi jaringan Wi-Fi salah. Pastikan kata sandi yang digunakan untuk terhubung ke jaringan Wi-Fi Anda benar. Robot tidak mendukung koneksi Wi-Fi 5 GHz. Pastikan robot terhubung ke koneksi Wi-Fi 2,4 GHz. Sinyal Wi-Fi lemah. Pastikan robot berada di area dengan cakupan Wi-Fi yang baik. Robot mungkin belum siap untuk dikonfigurasi. Keluar dan masuk kembali ke aplikasi, lalu coba kembali sesuai instruksi.
Robot tidak dapat menemukan dan kembali ke dok pengisian daya.	Dok pengisian daya terputus dari sumber listrik atau dipindahkan saat robot tidak ada di dalamnya. Sambungkan dok pengisian daya ke catu daya atau letakkan robot ke dalam dok pengisian daya untuk mengisi daya. Ada terlalu banyak halangan di sekitar dok pengisian daya. Letakkan dok pengisian daya di tempat yang lebih terbuka. Memindahkan robot akan membuat robot memosisikan ulang dirinya sendiri dan akan membuat kembali peta jika proses tersebut gagal. Jika robot berada terlalu jauh dari dok pengisian daya, robot tidak akan bisa kembali ke dalam dok secara otomatis, dalam hal ini Anda harus mengembalikan robot ke dok pengisian daya secara manual. Sekecil area pemancar sinyal pada dok pengisian daya untuk menghilangkan debu atau serpihan.

Masalah	Solusi
<p>Robot macet di depan dok pengisian daya dan tidak dapat kembali.</p>	<p>Periksa apakah ada cukup ruang di kedua sisi atau depan dok pengisian daya agar robot tidak terhalang. Rute kembali untuk mengisi daya terhalang, misalnya pintu tertutup. Robot mungkin selip jika lantai di depan dok pengisian daya terlalu basah. Jika demikian, keringkan lantai sebelum mencoba kembali. Sebaiknya, pindahkan dok pengisian daya ke tempat lain dan coba kembali. Pastikan pelat ekstensi undakan dipasang dengan benar.</p>
<p>Robot tetap menyala.</p>	<p>Robot tidak bisa dimatikan saat sedang mengisi daya. Sebaiknya keluarkan robot dari dok pengisian daya, lalu tekan dan tahan tombol daya selama 3 detik untuk mematikannya. Jika langkah 1 tidak berhasil, tekan dan tahan tombol daya selama 10 detik untuk mematikan robot secara paksa. Jika masih belum berhasil, hubungi layanan purnajual.</p>
<p>Laju pengisian daya lambat.</p>	<p>Saat baterai lemah, pengisian daya robot membutuhkan waktu sekitar 3,5 jam hingga penuh. Jika menggunakan robot pada suhu di luar rentang yang ditentukan, laju pengisian daya akan otomatis melambat guna memperpanjang masa pakai baterai. Kontak pengisian daya baik pada robot dan dok pengisian daya mungkin kotor, bersihkan dengan kain kering.</p>
<p>Suara yang dihasilkan robot saat beroperasi makin bising.</p>	<p>Periksa apakah filter kotak debu tersumbat. Jika tersumbat, bersihkan atau ganti dengan yang baru. Benda tajam mungkin tersangkut di sikat utama atau kotak debu. Periksa dan singkirkan benda tajam yang ada. Sikat utama atau sikat samping mungkin kusut. Periksa dan singkirkan benda asing yang ada. Alihkan mode isap ke Standar atau Senyap.</p>
<p>Robot bergerak tanpa mengikuti rute yang telah ditentukan.</p>	<p>Benda seperti kabel daya dan sandal harus dirapikan sebelum menggunakan robot. Pengoperasian di permukaan yang basah dan licin menyebabkan selip pada roda utama. Sebaiknya, keringkan tempat yang basah sebelum menggunakan robot. Seka jendela bumper pada robot dengan kain bersih, lembut, dan kering agar tetap bersih dan tidak terhalang.</p>



Penyelesaian Masalah

Masalah	Solusi
Robot melewati ruangan yang seharusnya dibersihkan.	Pastikan pintu ruangan yang akan dibersihkan terbuka. Area di depan ruangan yang akan dibersihkan mungkin basah dan licin, sehingga robot selip dan bekerja tidak normal. Coba keringkan lantai sebelum menggunakan robot.
Robot tidak melanjutkan pembersihan setelah mengisi daya.	Pastikan robot tidak sedang dalam mode Jangan Ganggu (DND), yang mana akan mencegah robot melanjutkan pembersihan. Robot tidak akan melanjutkan pembersihan setelah Anda meletakkan robot secara manual ke dok pengisian daya atau mengirim robot untuk mengisi daya melalui aplikasi atau tombol  .
Dok pengisian daya tidak dapat membersihkan kotak debu secara otomatis.	Periksa apakah kantong debu di dalam penampung debu penuh. Jika kantong debu belum penuh, periksa apakah ada penghalang di ventilasi pengosongan otomatis pada robot, dok pengisian daya, atau kotak debu. Jika ada yang menghalangi, bersihkan segera.
Level air di papan pencucian tidak normal.	Periksa apakah segel pada tangki air kotor kendur atau tidak terpasang dengan benar dan atur ulang secara manual jika demikian. Jika masalah berlanjut, hubungi tim layanan purnajual. Tekan perlahan tangki air kotor untuk memastikan tangki terpasang dengan benar. Lepaskan filter papan pencucian dan periksa apakah saluran pembuangan limbah tersumbat, lalu bersihkan. Periksa larutan pembersih. Jangan menambahkan larutan apa pun kecuali larutan pembersih yang resmi disetujui.
Penjepit kain pel terangkat secara tidak normal.	Copot penjepit kain pel untuk memeriksa apakah ada objek asing tersangkut di dalam, lalu coba memulai ulang robot. Jika masalah berlanjut, hubungi tim layanan purnajual.
Ada air di bawah tangki air bersih atau sekitar segel.	Saat mengeluarkan tangki air bersih, air di pipa mungkin masih ada di bawah tangki atau sekitar segel. Ini wajar. Tolong seka dengan kain kering.

Untuk dukungan lebih lanjut, hubungi kami melalui <https://global.dreametech.com>

Spesifikasi

Robot

Model	RLL22SE
Waktu Pengisian Daya	Sekitar 3,5 jam
Tegangan Terukur	14,4 V \equiv
Daya Terukur	75 W
Frekuensi Pengoperasian	2.400-2.483,5 MHz
Daya Output Maksimum	< 20 dBm

Dalam kondisi penggunaan normal, alat ini harus berada dalam jarak minimal 20 cm antara antena dan badan pengguna.

Dok Pengisian Daya

Konsumsi daya dalam mode siaga: $\leq 0,5$ W (dalam waktu 15 menit setelah robot meninggalkan dok pengisian daya)

Robot & Dok Pengisian Daya

Peralatan ini tidak memiliki mode siaga atau status lainnya yang setara dalam segi persyaratan siaga, fungsi manajemen daya, atau kemampuan untuk menonaktifkan koneksi jaringan nirkabel karena kebutuhan pemeliharaan baterai. Konsumsi daya pada peralatan ini mungkin akan lebih tinggi dibandingkan model peralatan lain yang memenuhi persyaratan fungsional ini.

Dok Pengisian Daya

Model	RCLE0305
Input Terukur	220-240 V \sim 50-60 Hz
Output Terukur	20 V \equiv 2 A
Daya Terukur (selama pengosongan debu)	700 W
Daya Terukur (selama pembersihan air panas)	1.160 W
Daya Terukur (selama pengisian daya dan pengeringan)	87 W

Catatan:

- Daya Terukur (saat pembersihan air panas) ditentukan oleh nilai daya selama periode representatif (suhu air 25 °C).
- Daya Terukur (saat pengisian daya dan pengeringan) ditentukan oleh nilai daya selama periode muatan penuh.

Unit Baterai Litium-ion yang Dapat Diisi Daya

Model	R2412-4S2P-MMBK/R2412-4S2P-KLYEV
Tegangan Nominal	14,4 V \equiv
Kapasitas Terukur	4,8Ah
Kapasitas Tipikal	5,2Ah 74,88Wh

Pembuangan dan Pelepasan Baterai

Baterai litium-ion bawaan mengandung unsur yang membahayakan lingkungan. Sebelum membuang baterai, pastikan baterai dilepas oleh teknisi yang memenuhi syarat dan dibuang di fasilitas daur ulang yang sesuai.

- baterai harus dilepaskan dari alat sebelum dibuang;
- alat harus terputus dari sumber listrik saat melepas baterai;
- baterai harus dibuang dengan aman.

PERHATIAN:

Sebelum melepaskan baterai, putus sambungan listrik dan kosongkan baterai hingga sehabis mungkin.

Baterai yang tidak diperlukan harus dibuang di fasilitas daur ulang yang sesuai.

Jangan buang baterai di tempat bersuhu tinggi untuk mencegah terjadinya ledakan.

Dalam kondisi buruk, baterai dapat mengeluarkan cairan. Jika terjadi kontak, siram dengan air dan dapatkan bantuan medis.

Panduan Pelepasan:

1. Balik robot, gunakan obeng untuk melepas baut yang ada di belakang robot, lalu buka penutupnya.
2. Cabut terminal antara baterai dengan papan PCB untuk melepas baterai.

Informasi WEEE



Semua produk dengan simbol ini adalah limbah peralatan listrik dan elektronik (WEEE sesuai pedoman 2012/19/EU) yang mana tidak boleh dicampur dengan sampah rumah tangga yang tidak tersortir. Anda harus melindungi kesehatan manusia dan lingkungan dengan cara menyerahkan limbah peralatan ke titik pengumpulan yang ditugaskan untuk mendaur ulang limbah peralatan listrik dan elektronik, yang ditunjuk oleh pemerintah atau otoritas setempat. Pembuangan dan daur ulang yang tepat akan membantu mencegah potensi konsekuensi negatif terhadap lingkungan dan kesehatan manusia. Hubungi otoritas setempat untuk informasi lebih lanjut tentang lokasi serta syarat dan ketentuan tempat pengumpulan tersebut.

EN Warranty

1. Dreame is liable to the consumer for any lack of conformity in material or workmanship not detectable at the time of the purchase.
2. Warranty period: please refer to the customer service office for more information. If the territory where the consumer is located has different regulations, local regulations prevail.
3. The warranty will not be applicable in the following cases:
 - a) Issues due to carelessness, use, or installation that does not comply with the instructions provided by Dreame.
 - b) Tampering and/or modifications of the product by entities or individuals not expressly authorized by Dreame.
 - c) Damage due to accidental causes and/or negligence on the part of the consumer, with particular reference to external parts.
 - d) Parts subject to wear that do not have manufacturing defects.
 - e) No valid purchasing document (receipt, invoice, or other) is provided to certify the date the product was purchased.
 - f) The model and/or numbers of the product on the purchase certificate is not consistent with the model and/or numbers shown on the product.
4. Please scan the QR code to get after-sales contact information.
5. The after-sales service (including quality warranty) in diverse regions is solely applicable to the local version of Dreame products. Please contact the after-sales service in the region where your product version originates for support.

TR Garanti

1. Dreame, satın alım sırasında tespit edilemeyen malzeme ve işçilik kusurlarından tüketiciye karşı sorumludur.
2. Garanti süresi: daha fazla bilgi için lütfen müşteri hizmetleri ile iletişime geçin. Tüketicinin bulunduğu bölgede farklı düzenlemeler olduğu takdirde yerel düzenlemeler geçerlidir.
3. Aşağıdaki durumlarda garanti geçerli değildir:
 - a) Dreame tarafından sağlanan talimatlara uygun olmayan kullanım, kurulum veya dikkatsizlik nedeniyle ortaya çıkan sorunlar.
 - b) Dreame tarafından açıkça yetki verilmemiş kuruluşlar veya kişiler tarafından ürün üzerinde onaysız değişiklikler yapılması ve/veya ürünün modifiye edilmesi.
 - c) Belirli harici parçalar önde olmak üzere, kaza nedenlerinden ve/veya tüketici ihmalkarlığından doğan hasarlar gerçekleştiğinde.
 - d) İmalat kusurlarına sahip olmayıp yıpranmaya tabi olan parçalar.
 - e) Ürünün satın alındığı tarihi belgelemek için hiçbir geçerli satın alma belgesinin (makbuz, fatura ve diğer) sağlanmaması.
 - f) Satın alma belgesi üzerindeki ürün modeli ve/veya numaralarının ürün üzerinde gösterilen model ve/veya numaralarla tutarlı olmaması.
4. Satış sonrası hizmet iletişimi ulaşmak için lütfen QR kodunu taratın.
5. Farklı bölgelerdeki satış sonrası hizmetler (kalite garantisi dâhil) yalnızca Dreame ürünlerinin yerel sürümü için geçerlidir. Destek için lütfen ürün sürümünüzün ilk satın alındığı bölgedeki satış sonrası hizmetler ile iletişime geçin.

VI Bảo hành

1. Dreame tuyên bố chịu trách nhiệm với khách hàng về vật liệu chưa đạt tiêu chuẩn hoặc lỗi lắp ráp mà không thể phát hiện tại thời điểm mua hàng.
2. Thời hạn bảo hành: vui lòng tham khảo phòng dịch vụ khách hàng để biết thêm chi tiết. Nếu tại quốc gia người tiêu dùng sinh sống có quy định khác, vui lòng ưu tiên áp dụng quy định của quốc gia đó.
3. Không áp dụng bảo hành trong các trường hợp sau:
 - a) Các sự cố do bất cẩn, sử dụng hoặc cài đặt không đúng theo hướng dẫn do Dreame cung cấp.
 - b) Giã mọ và/hoặc sửa đổi sản phẩm bởi các tổ chức hoặc cá nhân không được Dreame ủy quyền rõ ràng.
 - c) Hư hỏng do nguyên nhân ngẫu nhiên và/hoặc sự suất của người tiêu dùng, đặc biệt liên quan đến các bộ phận bên ngoài.
 - d) Những bộ phận bị mài mòn không do lỗi sản xuất.
 - e) Không cung cấp được chứng từ mua hàng hợp lệ (biên nhận, hóa đơn hoặc chứng từ khác) để xác nhận ngày sản phẩm được mua.
 - f) Mã và/hoặc mã số của sản phẩm trên giấy chứng nhận mua hàng không khớp với mã và/hoặc mã số được thể hiện trên sản phẩm.
4. Vui lòng quét mã QR để biết thông tin liên hệ sau bán hàng.
5. Dịch vụ sau bán hàng (bao gồm bảo hành chất lượng) ở các khu vực khác nhau chỉ áp dụng cho phiên bản sản phẩm Dreame tại địa phương. Vui lòng liên hệ với dịch vụ sau bán hàng tại khu vực có phiên bản sản phẩm của bạn để được hỗ trợ.

TH การรับประกัน

1. Dreame รับผิดชอบต่อผู้บริโภคในกรณีที่วัสดุหรือการผลิตไม่เป็นไปตามมาตรฐานที่ไม่สามารถตรวจพบได้ในขณะซื้อ
2. ระยะเวลาการรับประกัน: โปรดดูข้อมูลเพิ่มเติมที่สำนักงานบริการลูกค้า หากเขตแดนที่ผู้บริโภคตั้งอยู่มีข้อบังคับที่ต่างกัน ให้ถือตามข้อบังคับท้องถิ่น
3. ไม่สามารถใช้การรับประกันได้ในกรณีต่อไปนี้:
 - a) ปัญหาที่เกิดจากความประมาท การใช้งาน หรือการติดตั้งที่ไม่เป็นไปตามคำแนะนำของ Dreame
 - b) การดัดแปลงและ/หรือการแก้ไขผลิตภัณฑ์โดยหน่วยงานหรือบุคคลที่ไม่ได้รับอนุญาตอย่างชัดเจนจาก Dreame
 - c) ความเสียหายอันเกิดจากอุบัติเหตุและ/หรือความประมาทเลินเล่อของผู้บริโภค โดยเฉพาะอย่างยิ่งกับชิ้นส่วนภายนอก
 - d) ชิ้นส่วนที่เกิดการสึกหรอซึ่งไม่ได้บ่งพร่องจากการผลิต
 - e) ไม่มีเอกสารการจัดซื้อที่ถูกต้อง (ใบเสร็จรับเงิน ใบแจ้งหนี้ หรืออื่น ๆ) เพื่อยืนยันวันที่ซื้อผลิตภัณฑ์
 - f) รุ่นและ/หรือหมายเลขของผลิตภัณฑ์ในใบสั่งซื้อไม่ตรงกับรุ่นและ/หรือหมายเลขที่แสดงบนผลิตภัณฑ์
4. โปรดสแกนคิวอาร์โค้ดเพื่อรับข้อมูลติดต่อหลังการขาย
5. บริการหลังการขาย (รวมถึงการรับประกันคุณภาพ) ในภูมิภาคต่างๆ ใช้ได้เฉพาะกับผลิตภัณฑ์ Dreame เวอร์ชันท้องถิ่นเท่านั้น โปรดติดต่อฝ่ายบริการหลังการขายในภูมิภาคที่คุณซื้อผลิตภัณฑ์รุ่นของคุณเพื่อรับการสนับสนุน

ID Garansi

1. Dreame bertanggung jawab kepada konsumen atas setiap kurangnya kesesuaian pada bahan atau pengerjaan yang tidak terdeteksi pada waktu pembelian.
2. Masa garansi: harap kunjungi kantor layanan pelanggan untuk mendapatkan informasi selengkapnya. Jika di wilayah tempat konsumen tinggal memiliki regulasi yang berbeda, regulasi setempatlah yang berlaku.
3. Garansi tidak akan berlaku pada kasus berikut:
 - a) Bermasalah karena kecerobohan, penggunaan, atau pemasangan yang tidak mematuhi petunjuk yang diberikan oleh Dreame.
 - b) Mengubah dan/atau modifikasi produk oleh entitas atau individu yang secara tidak jelas diizinkan oleh Dreame.
 - c) Kerusakan karena penyebab yang tidak disengaja dan/atau kelalaian yang sebagian disebabkan oleh pelanggan, khususnya pada komponen eksternal.
 - d) Komponen yang dapat aus yang tidak memiliki catatan produksi.
 - e) Tidak memiliki dokumen pembelian yang valid (tanda terima, faktur, atau lainnya) untuk mengonfirmasi tanggal pembelian produk.
 - f) Model dan/atau nomor produk pada sertifikat pembelian tidak sama dengan model dan/atau nomor yang tertera di produk.
4. Pindai kode QR untuk memperoleh informasi kontak purnajual.
5. Layanan purnajual (termasuk garansi kualitas) di berbagai wilayah hanya berlaku ke produk Dreame versi lokal. Harap menghubungi layanan purnajual di wilayah tempat versi produk berasal untuk mendapatkan bantuan.

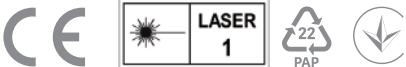
Contact us



 **Website:**

<https://global.dreametech.com>

The word "dreame" is the abbreviation of Dreame Technology Co., Ltd. and its subsidiaries in China. It is the transliteration of the company's Chinese name "追觅", which means striving for excellence in every endeavor and reflects the company's vision of continuous pursuit, exploration and search in technology.



For more support, contact us via <https://global.dreametech.com>
Manufactured by: Dreame Trading (Tianjin) Co., Ltd.
Made in China



EU-A01

