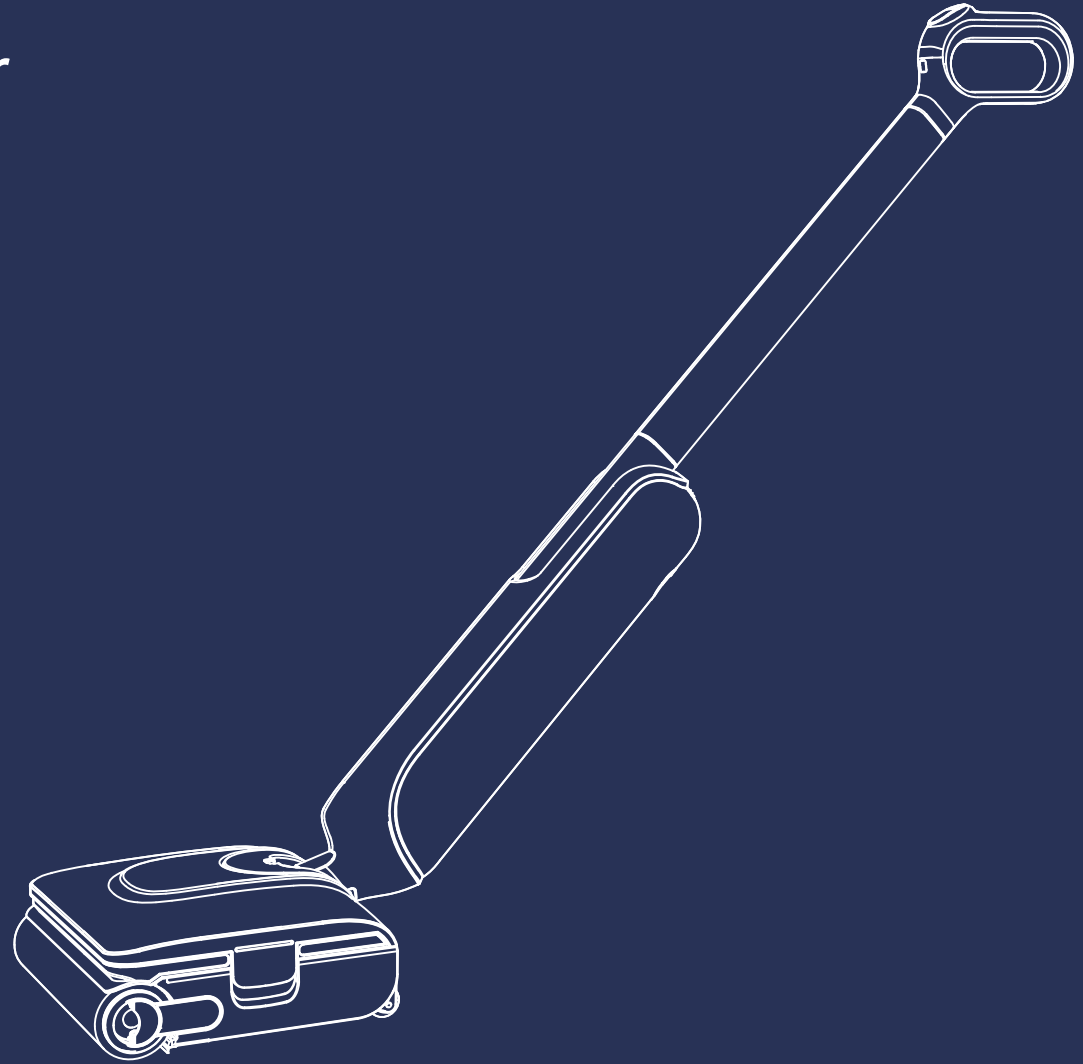


# JONR H2

## Wet and Dry Vacuum Cleaner User Manual



Please read this manual carefully before use and keep it properly stored

# Table of Contents

English	1
Español	12
Français	23
Deutsch	34
Italiano	45
Nederlands	56
Polski	67
Русский	78

# Quick Start Guide

- A. Place the charging dock on a hard floor surface.
- B. Before first use, place the machine on the charging dock, connect to power, and wait until fully charged before starting operation.
- C. This product is suitable only for hard floors. Please fill the clean water tank with water before use.
- D. Empty the dirty water tank promptly after self-cleaning to prevent odor buildup.
- E. Clean the roller brush and suction inlet regularly, and replace the foam filter as needed to avoid machine blockage and reduced suction power.
- F. Use only JONR officially designated cleaning agents. Do not use cleaning agents that produce foam, soapy water, perfume, or corrosive liquids.
- G. If you encounter situations that cannot be handled, such as fault indicators showing machine malfunction, inability to charge, or the machine stopping work, please contact JONR after-sales service promptly: [service@jonrtech.com](mailto:service@jonrtech.com)

## Safety Information

### Usage Restrictions

1. Children under 8 years of age or individuals with physical, sensory, intellectual impairments, or limited experience or knowledge should use this vacuum cleaner under the supervision of a parent or guardian to ensure safe operation and avoid any risks. Cleaning and maintenance tasks should not be performed by children without supervision.
2. This vacuum cleaner is not suitable for use by individuals with reduced physical, sensory, or mental capabilities, or lack of experience and knowledge (including children), unless they have been given supervision or instruction concerning the use of the vacuum cleaner by a person responsible for their safety.

3. Plastic films used for product packaging can be hazardous and must be kept away from children to avoid the risk of suffocation.
4. For indoor use only; do not use on carpets. Suitable for hard flooring such as vinyl floors, tiles, and sealed wood. Avoid running over loose items or the edges of floor mats.
5. Do not touch sockets, power adapters, or the display screen with wet hands to avoid the risk of electric shock.
6. Do not use this product with flammable or highly volatile liquids and other hazardous chemical liquids (such as gasoline, kerosene, paint, and perfume), or in areas where flammable or combustible liquids may be present. Otherwise, short circuits or explosions may occur.
7. Do not use this product to clean toxic or hazardous substances (chlorine bleach, ammonia, drain cleaners); or to sweep up hard or sharp objects (such as glass, nails, screws, and coins); or to remove unextinguished heat sources, such as cigarette butts and matches, to avoid fire.
8. Before use, ensure that anyone's hair, loose clothing, fingers, and body parts are kept away from the openings and moving parts of this product and its accessories.
9. Do not block the air inlet and outlet to avoid overheating. Do not place any objects in the product's suction port. Please promptly remove dust, lint, hair, or other items, as they may reduce airflow. Keep the ambient temperature within the range of 0–40°C during charging, storage, and operation of this product.
10. Exercise extra caution when cleaning on stairs to prevent falls.
11. Do not immerse the floor brush in water to avoid damaging the product. Do not shake or strike the machine violently to prevent wastewater from entering the motor. Keep the product upright when handling it to avoid wastewater entering the motor.
12. Do not expose the vacuum cleaner to fire or excessive temperatures. Exposure to fire or excessive temperatures may cause an explosion.
13. Do not use this vacuum cleaner without the filter cotton.

## Battery Charging

### ⚠ Warning

1. This product should only be used with the included charging dock and power adapter.
2. Please follow all charging instructions and do not charge outside the specified temperature range, as doing so increases the risk of fire.
3. Do not pull or lift the cable of the charging dock, and do not use the cable as a handle. Avoid closing doors on the cable or pulling it over sharp edges or corners.
4. Do not charge or place the dock near heat sources or in humid areas (such as radiators or bathrooms).
5. Do not use any non-rechargeable battery packs. Failure to comply may cause lithium-ion battery fires. The battery included in this vacuum cleaner can only be replaced by qualified technicians or after-sales service.
6. Do not use any third-party batteries, power adapters, or docking stations. Do not disassemble, repair, or modify the battery, power adapter, or dock.
7. The lithium-ion battery pack contains substances harmful to the environment. Before discarding the vacuum cleaner, remove the battery pack and dispose of or recycle it according to local laws and regulations in your country or region.
8. Due to excessive exposure, the battery may release liquid. If accidental contact occurs, rinse with water. If liquid enters the eyes, seek medical attention immediately, as the liquid released from the battery may cause irritation or burns.
9. Before removing the battery, the vacuum cleaner must be disconnected from the power source and discharged as much as possible. Keep the battery out of reach of children. Do not expose the battery to high temperatures to prevent explosions. Never put the battery in your mouth. If swallowed, contact your doctor or local poison control center.

10. If the product will not be used for an extended period, turn off the power and unplug the charging dock. Ensure it is charged every three months to avoid excessive battery discharge.

## WEEE Information

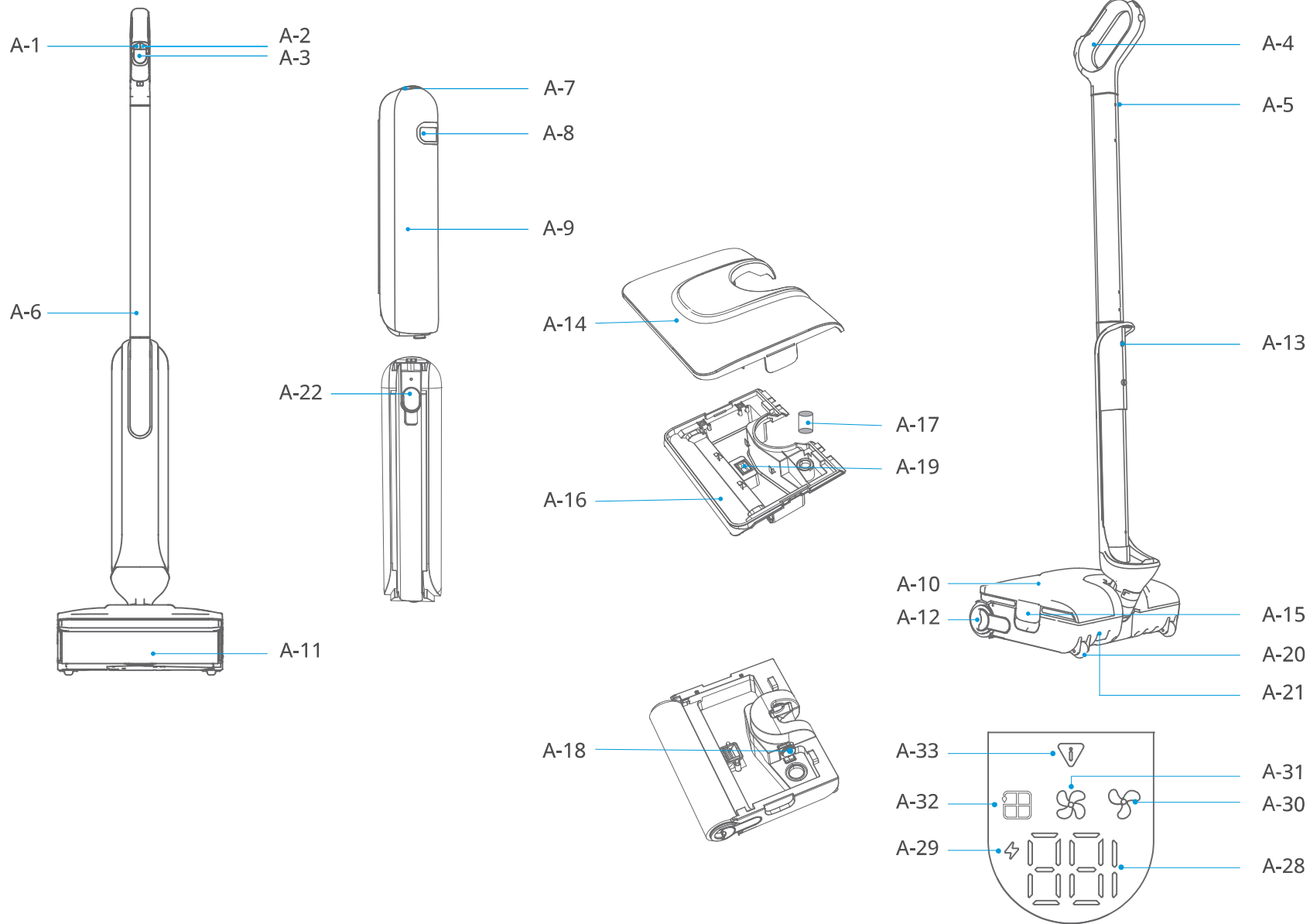
### Properly handle this product

This marking indicates that this product should not be disposed of with other household waste throughout the European Union. To prevent potential harm to the environment or human health from uncontrolled waste disposal, please recycle it responsibly to promote the sustainable reuse of material resources. To return your old vacuum cleaner, use the return and recycling system or contact the retailer where you purchased the product. They can recycle this product in an environmentally safe manner.



# Product Introduction

A



A-23



A-24



A-25



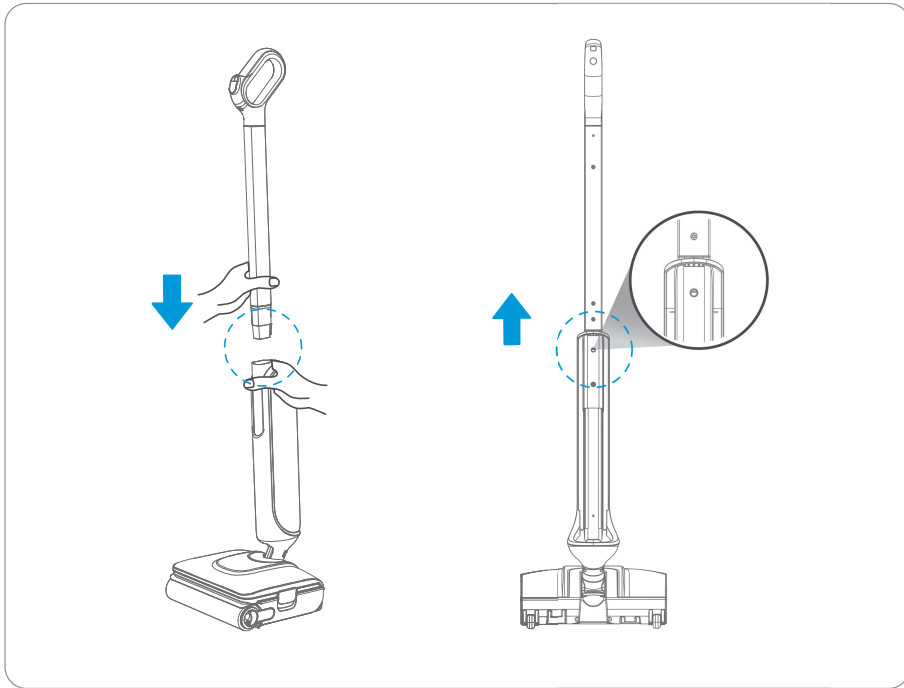
A-26



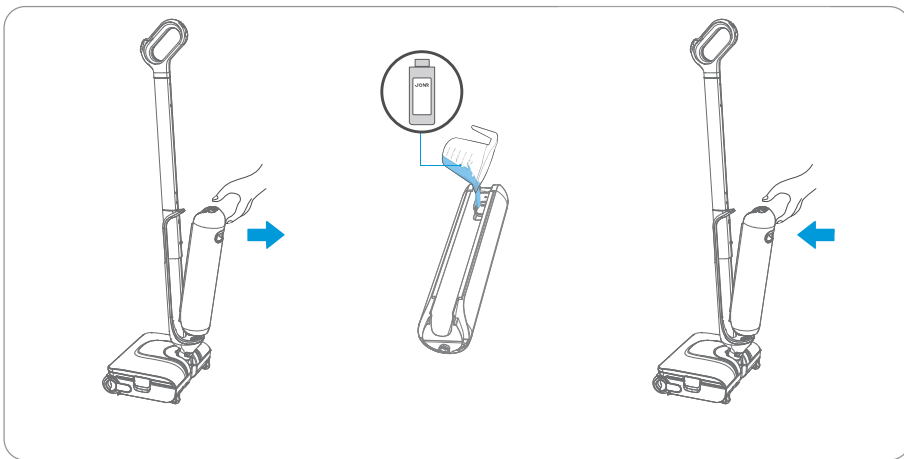
A-27

# Installation Instructions

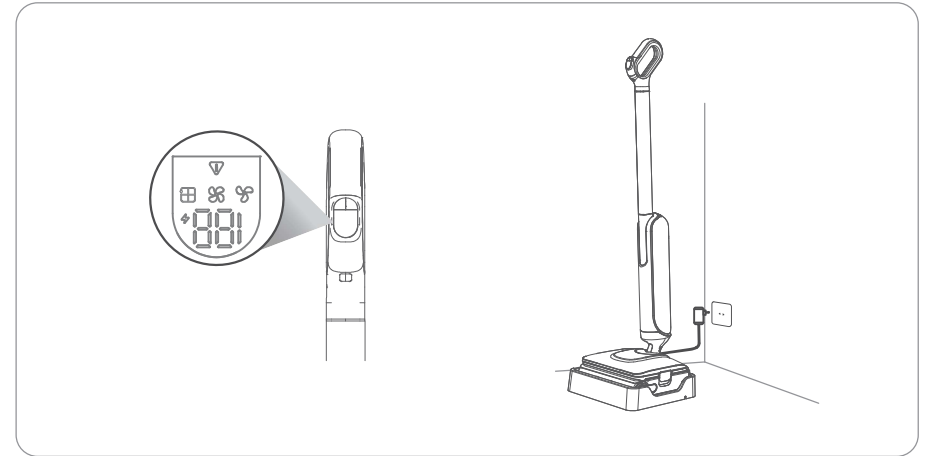
**B**



B1



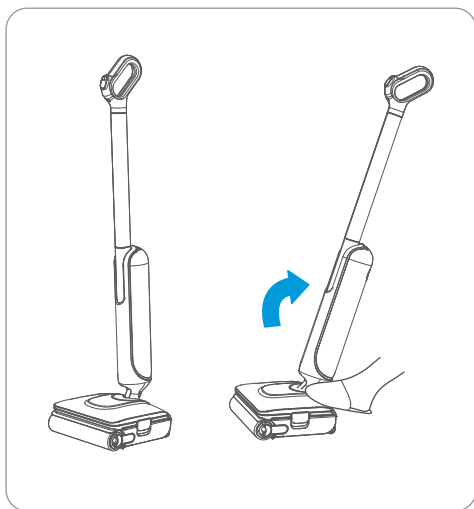
B2



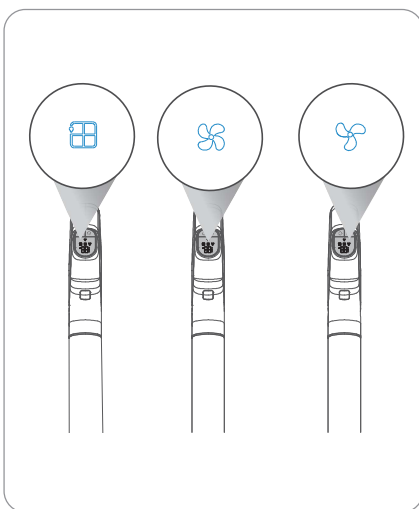
B3

# How to Use

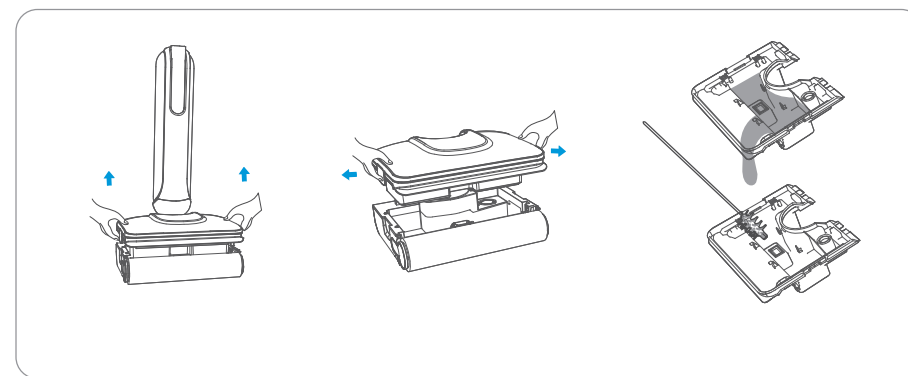
C



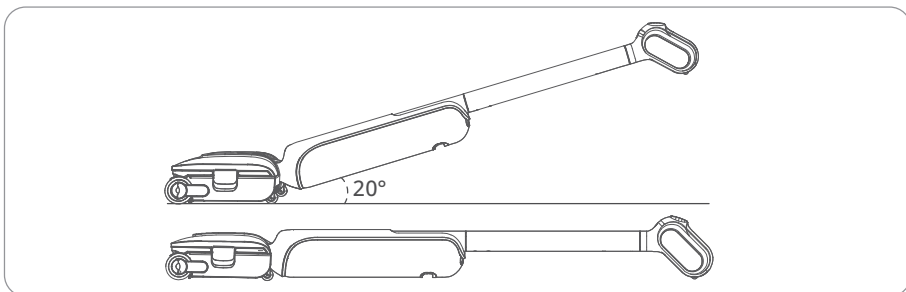
C1



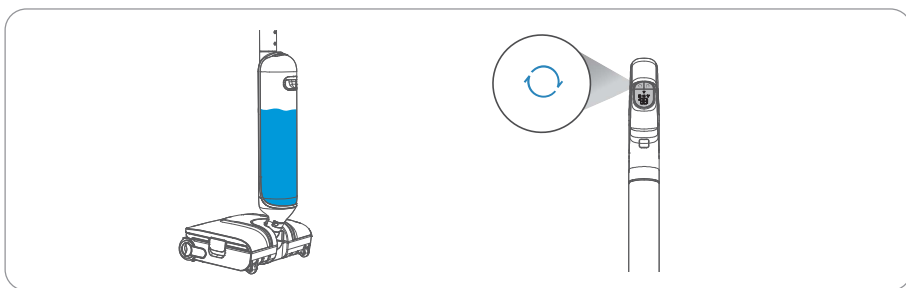
C2



C5



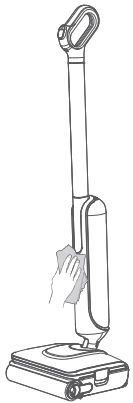
C-3



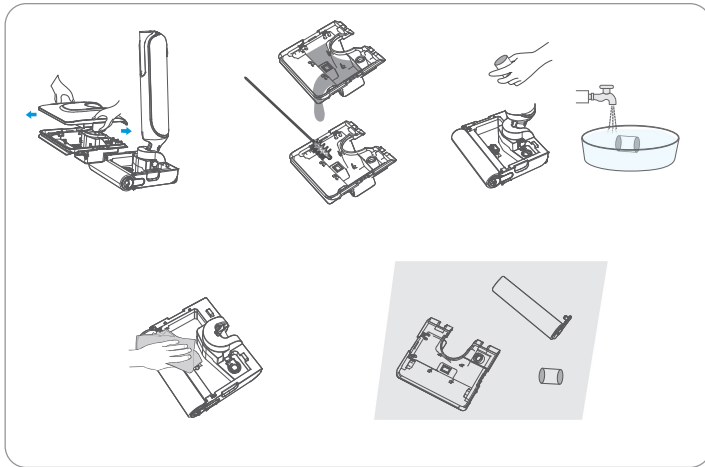
C4

# Maintenance

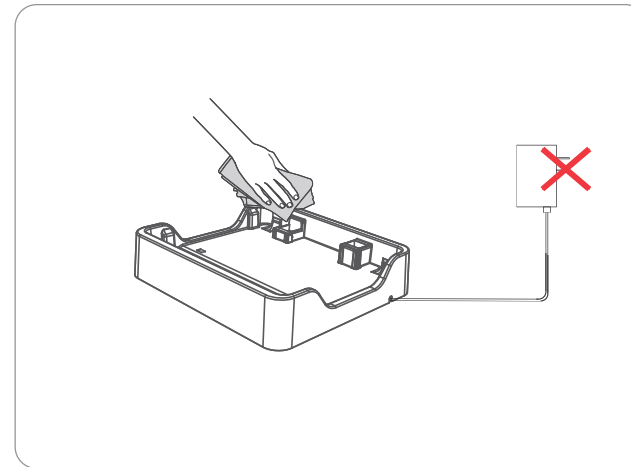
D



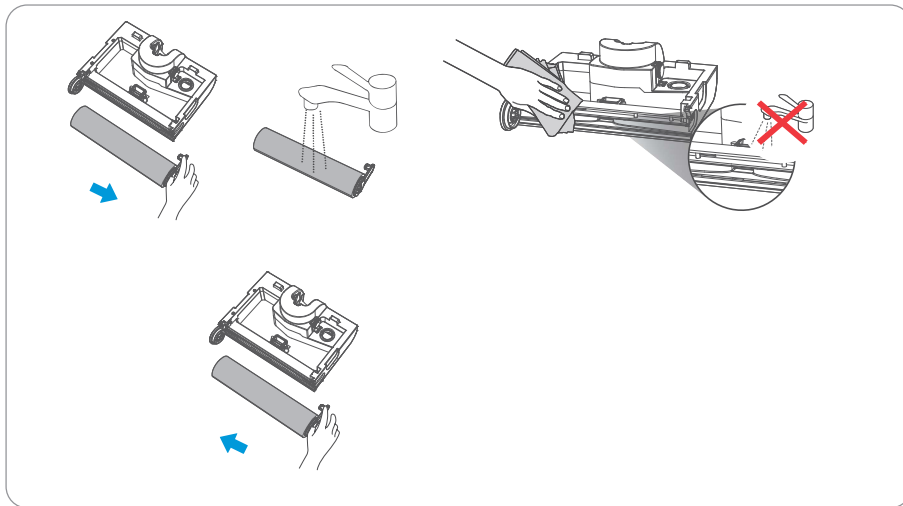
D1



D2



D4



D3

# Product Introduction

## Vacuum Cleaner

- “○” - Mode Button (A1)
- “⏻” - Power Button (A2)
- Screen (A3)
- Handle (A4)
- Handle Release Hole(A5)
- Aluminum tube (A6)
- Clean water tank release button (A7)
- Clean water tank handle (A8)
- Clean water tank (A9)
- Dirty water tank (A10)
- Roller brush (A11)
- Roller brush handle (A12)
- Aluminum tube release hole (A13)
- Dirty water tank cover (A14)
- Dirty water tank handle (A15)
- Dirty Water Tank Lower Cover (A16)
- Filter cotton (A17)
- Fan Air Intake Cover (A18)
- Dirt Inlet Port (A19)
- Roller Wheel (A20)
- Charging Port (A21)
- Clean water tank seal cover (A22)

## Packaging List:

- Charging base (A23)
- Cleaning solution (varies by sales market) (A24)
- Maintenance brush (A25)
- User Manual (A26)
- Adapter (A27)

## Display Screen:

- Power and fault code indicator light (A28)
- Charging indicator light (A29)
- Auto mode (A30)
- Max mode (A31)
- Bathroom cleaning mode (A32)
- Machine operation fault indicator light (A33)

# Installation Instructions

## Installing and Removing the Handle (B1)

1. Installation: Insert the end of the handle vertically into the aluminum tube, then insert the aluminum tube vertically into the main unit until a "click" is heard, indicating successful installation.
2. Removal: Use a long, thin, rigid object to poke into the small hole on the back of the unit (the aluminum tube release hole), then firmly grip the unit and pull the handle upward.

## Setting the Language for Voice Reminders (B2)

When the device is powered on for the first time, the voice function is enabled by default. When the main unit is not charging, press and hold the mode button for 5 seconds to turn the voice off/on. When the main unit is charging, press and hold the mode button for 5 seconds to switch the voice language. The setting is automatically saved after switching.

## Preparing the Clean Water Tank (B3)

1. Press the latch on the clean water tank while pulling the tank handle backward to remove the tank;
2. Open the seal cap of the clean water tank, add clean water, and optionally add an appropriate amount of JONR official cleaning solution;
3. Install the clean water tank back in place; when you hear a "click" sound, it indicates successful installation.

## Charging (B4)

Once the main unit is correctly placed into the base and the power is plugged in, you will hear a voice prompt saying "Charging started." It is recommended to fully charge the device before its first use. Charging from 0% to 100% typically takes approximately 2.5 hours.

\* Note: Illustrations of the product and accessories in the manual are for reference only. Due to product updates and upgrades, the actual product may differ slightly from the illustrations. Please refer to the physical product.

# How to Use

## Power On/Off (C1)

Gently step on the brush cover and tilt the vacuum cleaner backward. Press the power button to turn it on, and press again to turn it off. The machine features an upright pause function: while the machine is running, step on the floor brush and stand the handle upright, and after 5 seconds, the machine will enter standby mode.

## Change Cleaning Mode (C2)

The default mode on startup is automatic mode. When the floor washer is working on the ground, you can short press the mode button to switch between automatic mode, intensive mode, and bathroom cleaning mode according to your needs.

## Lay-Flat Mode (C3)

The device can operate in a 180° flat position. When the device is tilted to approximately 20° from the ground, it will automatically enter lay-flat mode, allowing for cleaning in low-lying areas.

## Self-cleaning (C4)

1. After cleaning is complete, place the vacuum cleaner back on the dock and ensure there is sufficient water in the clean water tank for self-cleaning.
2. Press the mode button once briefly to start or pause the self-cleaning.

## Cleaning the Dirty Water Tank (C5)

1. Grasp the handles of the dirty water tank with both hands and lift it upward to remove it from the base.
2. Pull outward to open the handles on both sides of the dirty water tank, then remove the tank lid.

3. Pour out the dirty water and use a cleaning brush to thoroughly clean the dirty water tank.
4. Reassemble the dirty water tank and place it back onto the floor brush base.

\* Note: Ensure the floor brush base is dry before reinstalling the dirty water tank.

# Maintenance

## Cleaning the Main Body (D1)

Use a soft, dry cloth to wipe down and clean the vacuum cleaner. Before cleaning, remove the vacuum cleaner from the charging dock and ensure it is turned off.

## Cleaning the dirty water tank, filter cotton, and roller brush assembly (D2)

1. Remove the wastewater tank from the main unit and open the lid of the wastewater tank.
2. Pour out the wastewater and clean the wastewater tank thoroughly with a cleaning brush.
3. Remove the filter cotton, clear away any debris from it, and rinse it with water.
4. Cover the blower air inlet with the blower air inlet cover plate, and wipe the waste inlet with a damp cloth.
5. Allow the floor brush section, wastewater tank, and sponge filter to dry completely before reinstalling them in place.

## Clean Roller Brush Assembly (D3)

1. Press the roller brush cover release button, remove the roller brush, and clear any remaining hair and debris from the roller brush. Cut off hair tangled around the roller brush. If heavy or stubborn stains remain on the roller brush after self-cleaning, it can be rinsed again with water.
2. Clean the waste suction port: If any residual stains remain on the waste suction port (the opening exposed after removing the roller brush), wipe it with a damp cloth. Do not rinse with water.
3. Reinstall all components once they are completely dry.

## Cleaning the charging base (D4)

Unplug the charging base, and use a soft, dry cloth to wipe the surface and charging contacts.

\* Note: Do not directly rinse the charging base with water.

The roller brush can only be removed after the dirty water tank has been taken off.

When cleaning the floor brush section, cover the blower port lid to prevent water from entering and damaging the blower. Open the blower port lid after cleaning is completed.

## Specification

Product Model	H2
Charging Rated Input	100-240V~ 50-60Hz
Charging Output	27V==0.85A
Charging Time: Approx	2.5h
Power	100W
Voltage	21.6V
Product Dimensions	280x230x1110mm
Clean Water Tank Capacity	1500ml
Dirty Water Tank Capacity	600ml

# FAQ

Issue	Cause and Solution
Unpleasant odor during use	<ul style="list-style-type: none"> <li>- Clean the dirty water tank, filter cotton, and roller brush</li> </ul>
Roller brush not rotating	<ul style="list-style-type: none"> <li>- Tangled by hair or other foreign objects, please clean</li> <li>- Dirty water tank is full, please empty the dirty water tank</li> <li>- Low battery, please charge</li> <li>- Debris clogging the inlet, please clean</li> </ul>
Excessive foam produced during cleaning	<ul style="list-style-type: none"> <li>- Do not add cleaning fluids not recommended by JONR into the clean water tank</li> <li>- If foam fills the dirty water tank and causes the machine to stop working, remove the roller brush and dirty water tank to clean out the foam liquid. This product only supports the use of JONR dedicated cleaning agents.</li> </ul>
Unable to charge when placed on the charging dock	<ul style="list-style-type: none"> <li>- Clean the charging terminals on the charging base and the charging connection on the machine body.</li> <li>- Ensure that the power is properly connected and the machine body is correctly positioned.</li> </ul>
The vacuum cleaner is not working.	<ul style="list-style-type: none"> <li>- The device is not charged or has low battery; fully charge the vacuum cleaner before cleaning.</li> <li>- Overheat protection is triggered due to clogging with foreign objects; remove the foreign objects and place the machine at room temperature.</li> <li>- The dirty water tank is full; please empty the dirty water tank.</li> <li>- Accessories are not properly installed; ensure all accessories are correctly installed.</li> </ul>
The vacuum cleaner charges slowly.	<ul style="list-style-type: none"> <li>- The battery temperature is too high or too low; let it rest until it reaches room temperature.</li> </ul>
The vacuum cleaner's suction is weak	<ul style="list-style-type: none"> <li>- The roller brush is tangled with hair or foreign objects, please clean the roller brush.</li> <li>- If the filter cotton is clogged, please clean the filter cotton.</li> <li>- The suction hose or suction port is blocked, please clean it.</li> <li>- The roller brush or dirty water tank is not properly installed. Please reinstall it</li> </ul>
The motor is making unusual noises	<ul style="list-style-type: none"> <li>- The dirty water tank is full, please empty it.</li> <li>- The suction port is blocked, please clean it.</li> <li>- The clean water tank is empty or not installed correctly, please fill it with water and reinstall it.</li> </ul>
The vacuum cleaner is not dispensing water	<ul style="list-style-type: none"> <li>- The clean water tank is not properly positioned, please install it correctly before starting cleaning.</li> </ul>

# FAQ

Issue	Cause and Solution
Self-cleaning function failure	<ul style="list-style-type: none"><li>- The roller brush is blocked by a large foreign object. Please check and clear it.</li><li>- Low battery or not charging. Ensure the machine is charging on the docking station before activating the self-cleaning function.</li><li>- The dirty water tank is not properly installed or is full. Empty the dirty water tank or install it correctly.</li><li>- The clean water tank is not properly installed or has insufficient water. Reinstall the clean water tank or fill it with an adequate amount of clean water.</li></ul>

\* \* If you encounter a fault code indicator showing a machine malfunction, or experience issues such as inability to charge or the machine stopping work that you cannot resolve, please contact JONR customer service promptly: [service@jonrtech.com](mailto:service@jonrtech.com)



# Guía Rápida

- A. Coloque la base de carga sobre una superficie de piso dura.
- B. Antes del primer uso, coloque la máquina en la base de carga, conéctela a la fuente de alimentación y espere a que se cargue completamente antes de comenzar a usarla.
- C. Este producto solo es adecuado para suelos duros. Rellene el depósito de agua limpia y comience a usarlo.
- D. Después del proceso de autolimpieza, vacíe el depósito de agua sucia a tiempo para evitar malos olores.
- E. Limpie periódicamente el cepillo rodante y la boca de succión, y reemplace el filtro de esponja para evitar obstrucciones y la pérdida de potencia de succión de la máquina.
- F. Por favor, utilice el limpiador oficial designado por JONR. Está estrictamente prohibido usar limpiadores que generen espuma, agua con jabón, perfumes o líquidos corrosivos.
- G. Si encuentra indicadores de falla que muestren un mal funcionamiento de la máquina, o problemas como incapacidad para cargar, o que la máquina deje de funcionar, y no puede resolver la situación, contacte oportunamente al servicio postventa de JONR: [service@jonrtech.com](mailto:service@jonrtech.com)

## Información de seguridad

### Restricciones de uso

1. Los niños menores de 8 años o personas con discapacidades físicas, sensoriales, intelectuales, o con experiencia o conocimientos limitados, deben usar esta aspiradora bajo la supervisión de un padre o tutor para garantizar un funcionamiento seguro y evitar cualquier riesgo. La limpieza y el mantenimiento no deben ser realizados por niños sin supervisión.
2. Esta aspiradora no es adecuada para su uso por personas con capacidades físicas, sensoriales o mentales disminuidas, o que carezcan de experiencia y conocimientos (incluidos los niños), a menos que hayan recibido supervisión o instrucciones sobre el uso de la aspiradora por parte de una persona responsable de su seguridad.

3. La película plástica utilizada en el embalaje del producto puede ser peligrosa y debe mantenerse alejada de los niños para evitar el riesgo de asfixia.
4. Solo para uso en interiores; no usar sobre alfombras. Es adecuado para pisos duros como vinilo, baldosas y madera sellada. Tenga cuidado de no pasar sobre objetos sueltos o los bordes de tapetes.
5. No toque el enchufe, el adaptador de corriente o la pantalla con las manos mojadas para evitar el riesgo de descarga eléctrica.
6. No utilice este producto con líquidos inflamables o altamente volátiles y otros líquidos químicamente peligrosos (como gasolina, queroseno, pintura y perfume), ni lo utilice en áreas donde puedan estar presentes líquidos inflamables o combustibles. De lo contrario, podría ocurrir un cortocircuito o una explosión.
7. No utilice este producto para aspirar sustancias tóxicas o dañinas (lejía de cloro, amoníaco, limpiadores de desagües); ni para recoger objetos duros o afilados (como vidrio, clavos, tornillos y monedas); ni para aspirar fuentes de calor no extinguidas, como colillas de cigarro y cerillas, para evitar incendios.
8. Antes de usar, asegúrese de que el cabello, la ropa suelta, los dedos y cualquier parte del cuerpo de cualquier persona se mantengan alejados de las aberturas y las partes móviles de este producto y sus accesorios.
9. No obstruya las aberturas de entrada y salida de aire para evitar el sobrecalentamiento. No coloque ningún objeto en la entrada de succión del producto. Retire oportunamente el polvo, la pelusa, el cabello u otros artículos, ya que pueden reducir el flujo de aire. Al cargar, almacenar y operar este producto, mantenga la temperatura ambiente en un rango de 0-40°C.
10. Tenga mucho cuidado al limpiar en escaleras para prevenir caídas.
11. No sumerja el cepillo de piso en agua para evitar dañar el producto. No sacuda o golpee la máquina bruscamente para evitar que el agua residual ingrese al motor. Al manipular el producto, manténgalo en posición vertical para evitar que el agua residual entre en el motor.
12. No exponga la aspiradora a fuentes de calor o temperaturas excesivamente altas. La exposición a fuentes de calor o temperaturas excesivamente altas podría causar una explosión.
13. No utilice esta aspiradora sin el filtro de algodón.

## Carga de la batería

### ⚠ Advertencia

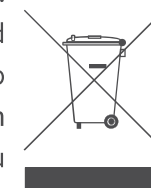
1. Este producto solo debe usarse con la base de carga y el adaptador de corriente incluidos.
2. Siga todas las instrucciones de carga y no cargue fuera del rango de temperatura especificado, de lo contrario aumentará el riesgo de incendio.
3. No tire o levante el cable de la base de carga, ni use el cable como manija. Evite cerrar puertas sobre el cable o hacer pasar el cable sobre bordes o esquinas afiladas.
4. No cargue ni coloque la base cerca de fuentes de calor o en áreas húmedas (como radiadores o baños).
5. No use ningún paquete de baterías no recargable. No cumplir con las instrucciones puede provocar un incendio en la batería de iones de litio. La batería incluida en esta aspiradora solo debe ser reemplazada por personal técnico calificado o servicio postventa.
6. No utilice ninguna batería, adaptador de corriente o base de terceros. No desmonte, repare o modifique la batería, el adaptador de corriente o la base.
7. El paquete de baterías de iones de litio contiene sustancias nocivas para el medio ambiente. Antes de desechar la aspiradora, retire el paquete de baterías y deséchelo o recíclelo de acuerdo con las leyes y regulaciones locales del país o región donde se utilice.
8. Debido a la sobreexposición, la batería puede expulsar líquido. Si hay contacto accidental, lave con agua. Si el líquido entra en los ojos, busque atención médica de inmediato, ya que el líquido expulsado por la batería puede causar irritación o quemaduras.
9. Antes de retirar la batería, la aspiradora debe desconectarse de la fuente de alimentación y descargarse tanto como sea posible. Mantenga la batería fuera del alcance de los niños. No exponga la batería a altas temperaturas para evitar una explosión; nunca se coloque la batería en la boca. Si es ingerida, contacte a su médico o al centro de control de intoxicaciones local.

10. Si el producto no se va a utilizar durante un período prolongado, apáguelo y desenchufe la base de carga. Asegúrese de cargarlo cada tres meses para evitar una descarga excesiva de la batería.

## Información WEEE

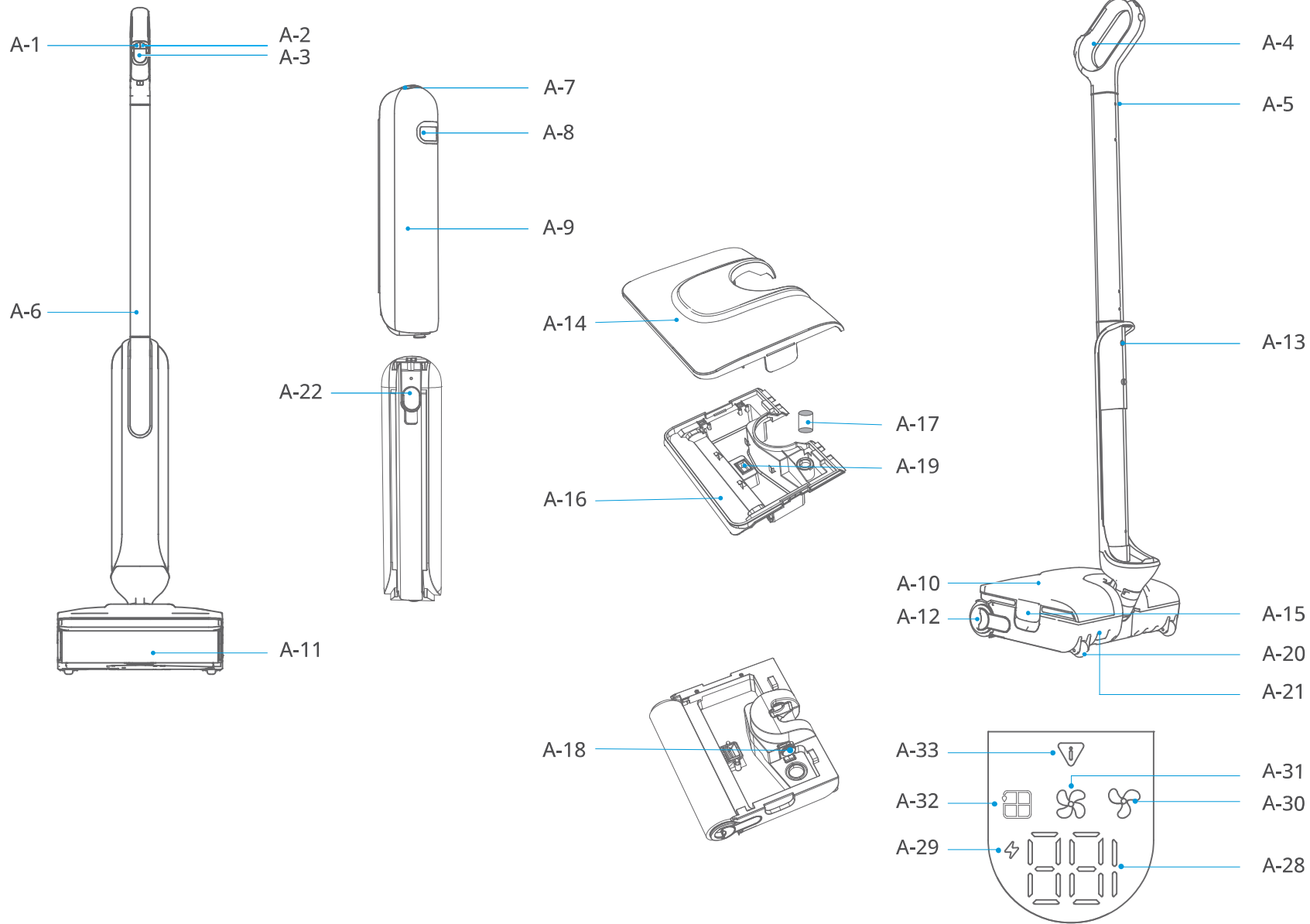
### Disposición correcta de este producto

Esta marca indica que este producto no debe desecharse con otros residuos domésticos en toda la Unión Europea. Para evitar posibles daños al medio ambiente o a la salud humana por un manejo incontrolado de residuos, recíclelo de manera responsable para promover la reutilización sostenible de los recursos materiales. Para devolver su aspiradora antigua, utilice el sistema de devolución y reciclaje o póngase en contacto con el minorista donde compró el producto. Ellos pueden reciclar este producto de manera ambientalmente segura.

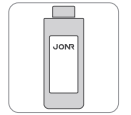


# Descripción del producto

A



A-23



A-24



A-25



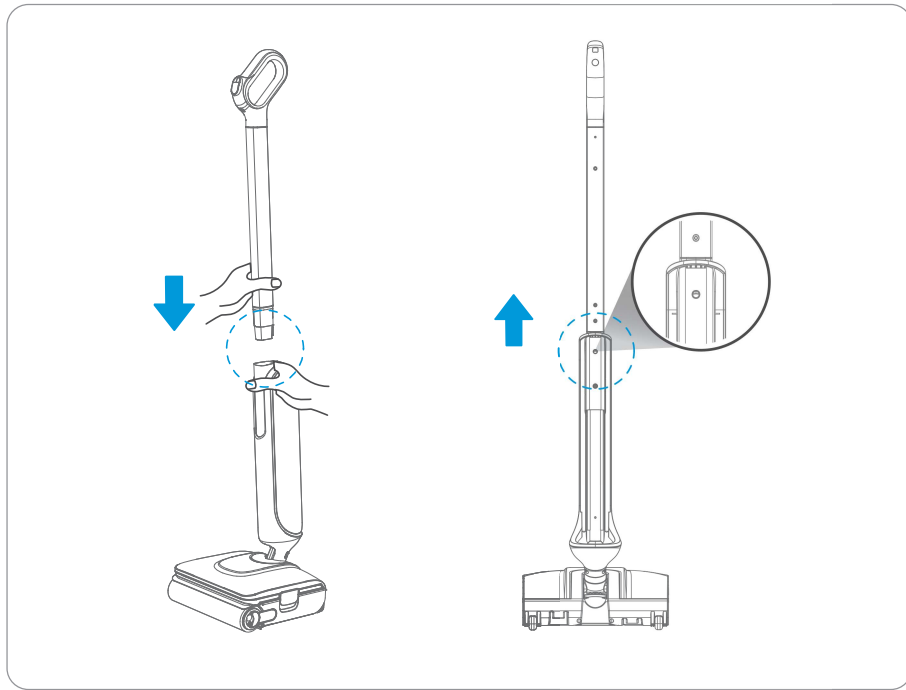
A-26



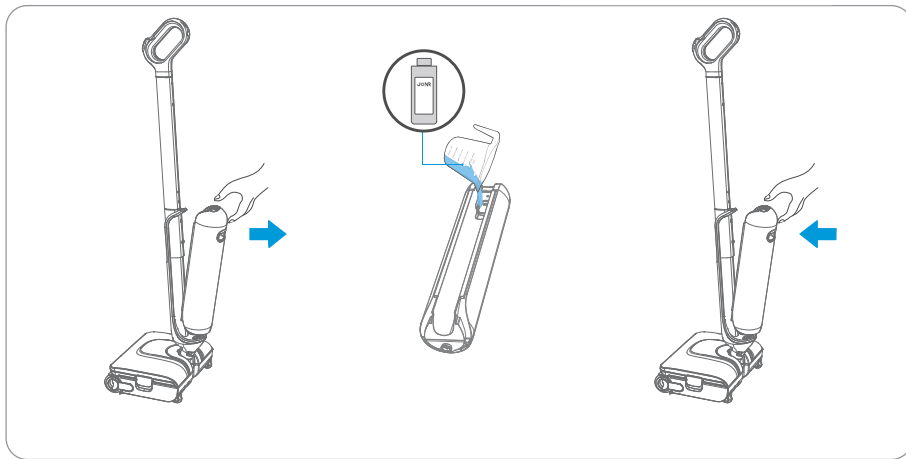
A-27

# Instrucciones de instalación

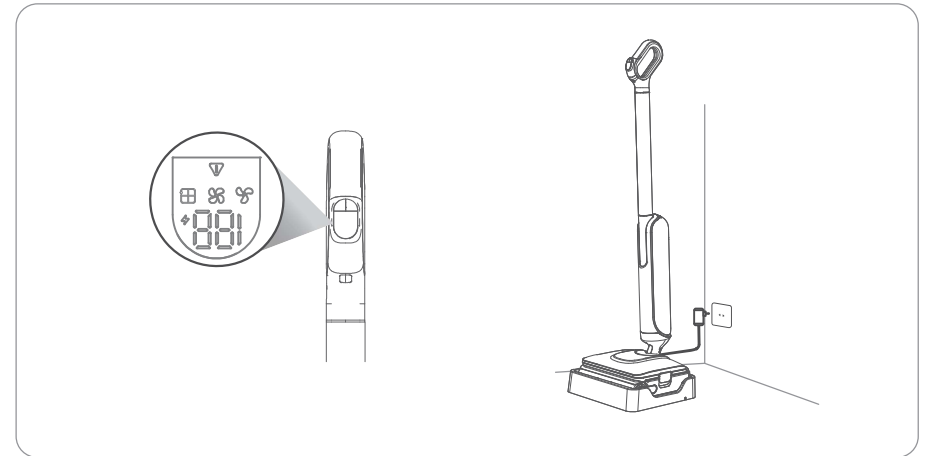
B



B1



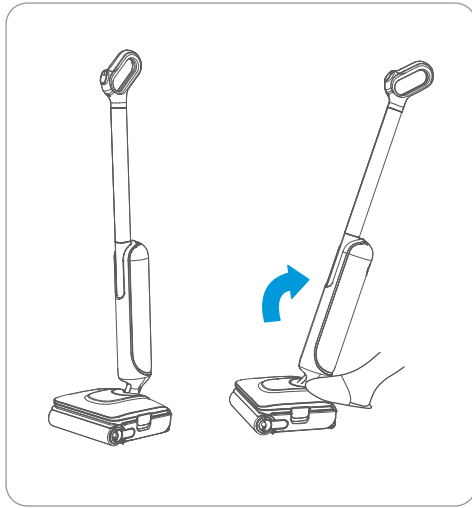
B2



B3

# Cómo usarlo

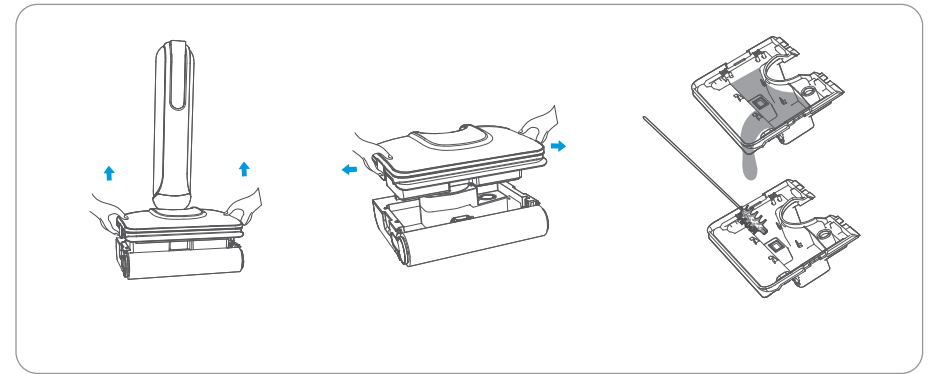
C



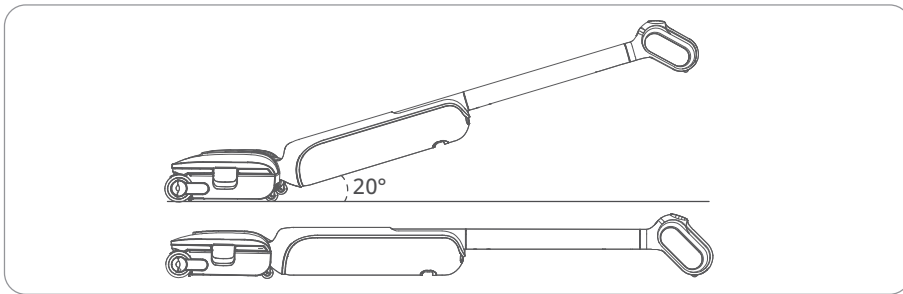
C1



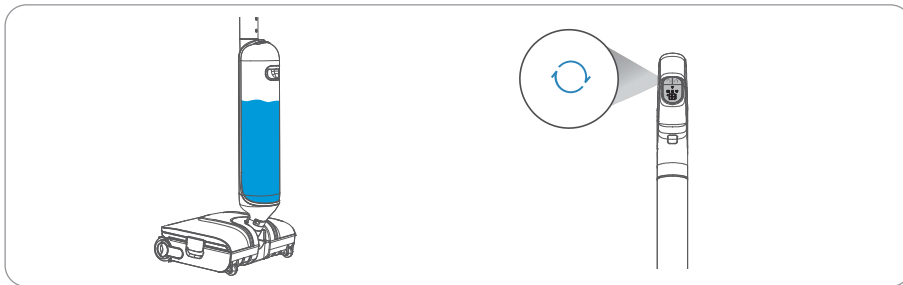
C2



C5



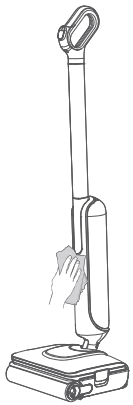
C-3



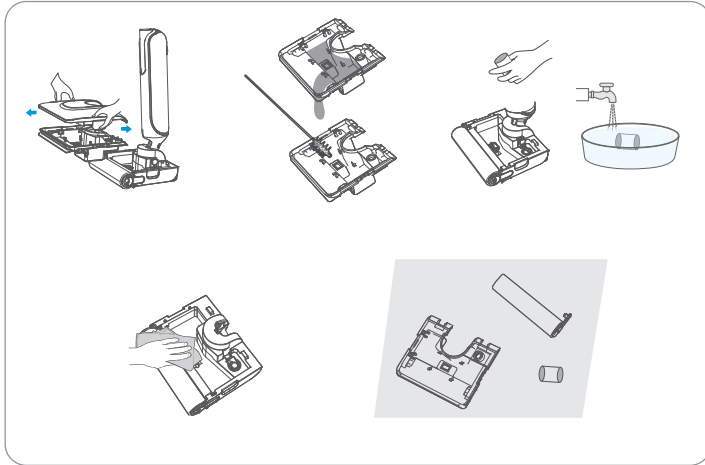
C4

# Mantenimiento y reparación

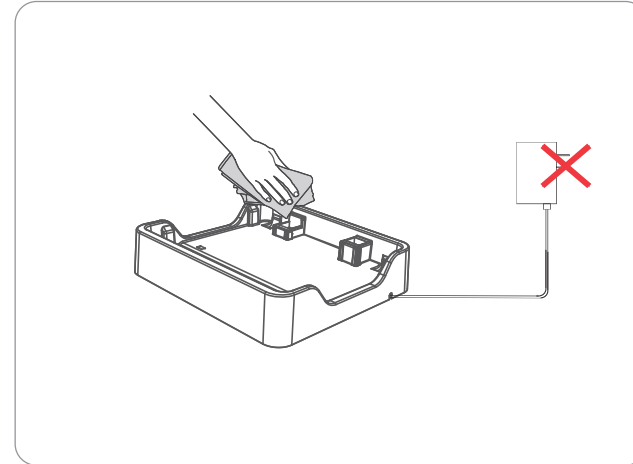
D



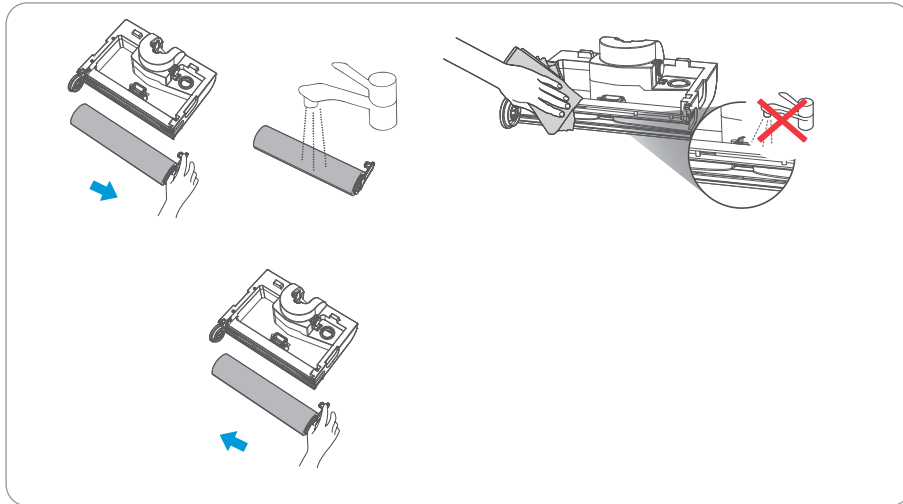
D1



D2





D4



D3

# Descripción del producto

## Aspiradora

- “” - Botón de modo (A1)
- “” - Botón de encendido/apagado (A2)
- Pantalla (A3)
- Asa (A4)
- Orificio de liberación del mango (A5)
- Tubo de aluminio (A6)
- Tecla de liberación del tanque de agua limpia (A7)
- Asa del tanque de agua limpia (A8)
- Tanque de agua limpia (A9)
- Tanque de agua sucia (A10)
- Rodillo cepillo (A11)
- Empuñadura del rodillo cepillo (A12)
- Orificio de liberación del tubo de aluminio (A13)
- Tapa superior del tanque de agua sucia (A14)
- Mango del tanque de aguas residuales (A15)
- Tapa inferior del tanque de aguas residuales (A16)
- Filtro de espuma (A17)
- Tapa de la entrada de aire del ventilador (A18)
- Entrada de residuos (A19)
- Rueda (A20)
- Interfaz de carga (A21)
- Tapa sellada del tanque de agua limpia (A22)

## Lista de empaque:

- Base de carga (A23)
- Líquido limpiador (según mercado de venta) (A24)
- Cepillo de mantenimiento (A25)
- Manual de usuario (A26)
- Adaptador (A27)

## Pantalla:

- Indicador de batería y códigos de falla (A28)
- Luz indicadora de carga (A29)
- Modo automático (A30)
- Modo potente (A31)
- Modo limpieza de baño (A32)
- Luz indicadora de fallo de funcionamiento de la máquina (A33)

# Instrucciones de instalación

## Instalar y desmontar el mango (B1)

1. Instalación: Inserte el extremo del mango en el tubo de aluminio en dirección vertical. Luego, inserte el tubo de aluminio en la unidad principal en dirección vertical hasta escuchar un clic, lo que indica que la instalación se ha completado correctamente.
2. Desmontaje: Con un objeto largo y rígido, presione el pequeño orificio en la parte posterior de la carcasa (orificio de liberación del tubo de aluminio). Mientras sostiene con fuerza la carcasa, tire del mango hacia arriba.

## Configurar el idioma de los recordatorios de voz (B2)

Cuando el dispositivo se enciende por primera vez, la función de voz está activada por defecto. Cuando el dispositivo principal no está en estado de carga, mantenga presionado el botón de modo durante 5 segundos para apagar/encender la voz. Cuando el dispositivo principal está en estado de carga, mantenga presionado el botón de modo durante 5 segundos para cambiar el idioma de la voz; después de cambiar, se guardará automáticamente.

## Preparación del tanque de agua limpia (B3)

1. Presione la traba del tanque de agua limpia y, al mismo tiempo, tire hacia atrás del asa del tanque de agua limpia para retirar el tanque;
2. Abra la tapa sellada del tanque de agua limpia, agregue agua limpia y, opcionalmente, agregue una cantidad adecuada de solución limpiadora oficial JONR;
3. Instale el tanque de agua limpia nuevamente en su posición; cuando escuche un clic, significa que la instalación se ha completado con éxito.

## Carga (B4)

Cuando el dispositivo principal se coloca correctamente en la base, conecte la fuente de alimentación; escuchará el mensaje de voz "Iniciando carga". Se recomienda cargar completamente el dispositivo antes de su primer uso. La carga del 0% al 100% normalmente toma aproximadamente 2.5 horas.

\* Nota: Todas las ilustraciones de productos, accesorios, etc., en este manual son esquemáticas y se ofrecen únicamente a modo de referencia. Debido a las actualizaciones y mejoras del producto, el producto real puede diferir ligeramente de las ilustraciones. Por favor, refiérase al producto físico.

# Cómo usarlo

## Encender/Apagar (C1)

Presione suavemente la tapa del cepillo e incline la aspiradora hacia atrás. Presione el botón de encendido para activar y presione nuevamente para apagar. El dispositivo cuenta con función de pausa automática; al colocar el cepillo en el suelo y mantener la manija erguida durante el funcionamiento, el dispositivo entrará en modo de espera después de 5 segundos.

## Cambiar modo de limpieza (C2)

El modo predeterminado al encender es automático. Mientras el limpiador de pisos funciona sobre superficies, puede cambiar al modo automático, modo intenso o modo limpieza de baño presionando brevemente la tecla de modo según sus necesidades.

## Modo reclinado (C3)

El dispositivo puede funcionar en posición horizontal de 180°. Al inclinar el dispositivo aproximadamente 20° respecto al suelo, entrará automáticamente en modo reclinado, permitiendo limpiar áreas bajas.

## Autolimpieza (C4)

1. Al finalizar la limpieza, coloque la aspiradora en la base y asegúrese de que el tanque de agua limpia contenga suficiente agua para la autolimpieza.
2. Pulse brevemente la tecla de modo 1 vez para iniciar/pausar la autolimpieza.

## Limpiar el tanque de aguas residuales (C5)

1. Sujete las asas del tanque de aguas residuales con ambas manos y levántelo para retirarlo de la base.
2. Abra hacia afuera las asas laterales del tanque de aguas residuales y retire la tapa superior del tanque.

3. Vacíe las aguas residuales y limpie el tanque con un cepillo de limpieza.
4. Ensamble el tanque de agua sucia y colóquelo de nuevo en la base del cepillo.

\* Nota: Seque primero la base del cepillo para pisos antes de instalar el tanque de aguas residuales.

# Mantenimiento y reparación

## Limpiar el cuerpo de la máquina (D1)

Limpie la aspiradora con un paño suave y seco. Antes de limpiar, retire la aspiradora de la base de carga y apáguela.

## Limpiar el tanque de agua sucia, la esponja filtrante y la unidad de cepillo giratorio (D2)

1. Retire el tanque de agua sucia de la unidad principal y abra la tapa superior del tanque de agua sucia.
2. Vacíe el depósito de aguas sucias y lávelo con el cepillo de limpieza.
3. Retire el filtro de fieltro, elimine los residuos adheridos y enjuáguelo con agua.
4. Cubra la entrada de aire del ventilador con la tapa de la entrada de aire del ventilador y limpie la entrada de suciedad con un paño húmedo.
5. Deje secar la parte del cepillo de suelo, el depósito de aguas sucias y el filtro de fieltro antes de volver a instalarlos en su lugar.

## Limpieza del conjunto de cepillo giratorio (D3)

1. Presione el botón de liberación de la cubierta del cepillo giratorio, retire el cepillo, elimine el cabello y los residuos adheridos al cepillo, corte el cabello enredado. Si después de la autolimpieza aún quedan manchas difíciles o suciedad persistente en el cepillo giratorio, puede lavarlo nuevamente con agua.
2. Limpiar la entrada de suciedad: Si todavía hay residuos de suciedad en la entrada (la abertura que queda visible al retirar el cepillo rodante), límpiela con un paño húmedo. Está prohibido lavarla con agua.

3. Una vez que todos los componentes estén completamente secos, vuelva a instalarlos en su posición correcta.

## Limpeza de la base de carga (D4)

Desconecte el enchufe de alimentación de la base de carga y limpie la superficie de la base y los puntos de contacto de carga con un paño suave y seco.

\*Nota: No lave directamente la base de carga con agua.

Es necesario quitar el tanque de agua sucia antes de poder desmontar el cepillo rodante.

Al limpiar la sección del cepillo del suelo, coloque la tapa en la entrada del ventilador para evitar que entre agua y lo dañe. Retire la tapa de la entrada del ventilador una vez finalizada la limpieza.

## Tabla de especificaciones

Modelo del producto	H2
Entrada nominal de carga	100-240V~ 50-60Hz
Salida de carga	27V==0.85A
Tiempo de carga	Aprox. 2.5 h
Potencia	100W
Voltaje	21.6V
Dimensiones del producto	280x230x1110mm
Capacidad del tanque de agua limpia	1500ml
Capacidad del tanque de agua sucia	600ml

# Preguntas frecuentes y soluciones

Problema	Causa y solución
Aparece un olor desagradable durante el uso	-- Limpiar el depósito de aguas sucias, la esponja filtrante y el cepillo rodillo
El rodillo cepillo no gira	<ul style="list-style-type: none"> <li>- Enredado por cabello u otros objetos extraños, por favor limpia</li> <li>- El tanque de agua sucia está lleno, por favor vacía el tanque de agua sucia</li> <li>- Batería baja, por favor carga</li> <li>- El orificio de entrada de suciedad está obstruido por objetos extraños, por favor limpia</li> </ul>
Se produce una gran cantidad de espuma durante la limpieza	<ul style="list-style-type: none"> <li>- No agregues a la tina de agua limpia líquidos de limpieza no recomendados por JONR</li> <li>- Una vez que la espuma llena el depósito de aguas sucias, la máquina se apagará. Retire el rodillo de limpieza y el depósito de aguas sucias para limpiar el líquido espumoso. Este producto solo admite el uso de líquidos de limpieza especiales de JONR.</li> </ul>
No se carga cuando está en la base de carga	<ul style="list-style-type: none"> <li>- Limpie los terminales de carga de la base de carga y los puntos de conexión de carga en el cuerpo de la máquina</li> <li>- Asegúrese de que el cable de alimentación esté conectado correctamente y de que la máquina esté colocada correctamente en la base</li> </ul>
La aspiradora no funciona	<ul style="list-style-type: none"> <li>- Batería no cargada o con baja carga; cargue completamente la aspiradora antes de usarla</li> <li>- Objeto extraño que obstruye o activación de la protección contra sobrecalentamiento; retire el objeto extraño y deje la máquina a temperatura ambiente</li> <li>- El depósito de agua sucia está lleno; vacíe el depósito de agua sucia</li> <li>- Los accesorios no están instalados correctamente; instale todos los accesorios en su posición correcta</li> </ul>
La aspiradora se carga lentamente	- La temperatura de la batería es demasiado alta o demasiado baja; deje que la máquina alcance la temperatura ambiente
El poder de succión del aspirador es débil	<ul style="list-style-type: none"> <li>- El cepillo rodante está enredado con cabello o objetos extraños; limpie el cepillo rodante</li> <li>- El filtro de algodón está obstruido. Limpie el filtro de algodón</li> <li>- El tubo de aspiración de suciedad o la boca de aspiración está obstruida; límpiela</li> <li>- El rodillo o el cubo de agua sucia no están correctamente instalados. Por favor, reinstálelos.</li> </ul>
El motor emite ruidos anormales	<ul style="list-style-type: none"> <li>- El tanque de agua sucia está lleno; límpiela</li> <li>- La boca de aspiración de suciedad está obstruida; límpiela</li> <li>- El tanque de agua limpia no tiene agua o no está instalado correctamente; llénelo con agua y vuelva a instalar el tanque de agua limpia</li> </ul>
El aspirador no expulsa agua	- Tanque de agua limpia no está colocado correctamente, por favor instálelo adecuadamente antes de iniciar la limpieza.

# Preguntas frecuentes y soluciones

Problema	Causa y solución
Falla en la función de auto-limpieza.	<ul style="list-style-type: none"><li>- El cepillo rodante está obstruido por un objeto grande, por favor revise y limpie.</li><li>- Batería baja o sin carga, asegúrese de que la máquina esté cargando en la base antes de activar la auto-limpieza.</li><li>- El tanque de agua sucia no está instalado correctamente o el tanque de agua sucia está lleno, por favor vacíe el tanque o instálolo correctamente.</li><li>- El tanque de agua limpia no está instalado correctamente o tiene agua insuficiente, por favor reinstale el tanque o llénelo con suficiente agua limpia.</li></ul>

\* Si se encuentra con un código de error en el indicador de luz que muestra una falla en la máquina, o si ocurren situaciones inmanejables como incapacidad para cargar, la máquina deja de funcionar, etc., por favor contacte oportunamente al servicio postventa de JONR: [service@jonrtech.com](mailto:service@jonrtech.com)



# Guide Rapide

- A. Placez la station de charge sur un sol dur.
- B. Avant la première utilisation, installez l'appareil sur la station de charge, connectez-le à l'alimentation électrique et laissez-le se charger complètement avant de commencer à l'utiliser.
- C. Ce produit est uniquement adapté aux sols durs. Remplissez le réservoir d'eau propre avec de l'eau avant de commencer à utiliser l'appareil.
- D. Après le cycle d'auto-nettoyage, videz le réservoir d'eau usée immédiatement pour éviter les mauvaises odeurs.
- E. Nettoyez régulièrement le rouleau brosse et l'ouverture d'aspiration des saletés, et remplacez le filtre en mousse afin d'éviter tout blocage de la machine et une réduction de la puissance d'aspiration.
- F. Utilisez uniquement le détergent officiel spécifié par JONR. Il est strictement interdit d'utiliser des détergents moussants, de l'eau savonneuse, des parfums ou des liquides corrosifs.
- G. En cas d'indicateur de défaut signalant une panne, d'impossibilité de charger l'appareil, d'arrêt du fonctionnement ou d'autres problèmes que vous ne pouvez pas résoudre, veuillez contacter rapidement le service après-vente JONR à : [service@jonrtech.com](mailto:service@jonrtech.com).

## Informations de sécurité

### Limitations d'utilisation

- 1. Les enfants de moins de 8 ans ou les personnes présentant des capacités physiques, sensorielles, intellectuelles réduites, ou ayant une expérience ou des connaissances limitées doivent utiliser cet aspirateur uniquement sous la surveillance d'un parent ou d'un tuteur, afin d'assurer une utilisation sûre et d'éviter tout risque. Le nettoyage et l'entretien ne doivent pas être effectués par des enfants sans surveillance.
- 2. Cet aspirateur n'est pas destiné à être utilisé par des personnes (y compris des enfants) dont les capacités physiques, sensorielles ou mentales sont réduites, ou qui manquent d'expérience et de connaissances, à moins qu'elles n'aient reçu une surveillance ou des instructions concernant l'utilisation de l'aspirateur par une personne responsable de leur sécurité.

- 3. Les films plastiques utilisés pour l'emballage du produit peuvent être dangereux et doivent être tenus éloignés des enfants pour éviter tout risque d'étouffement.
- 4. Usage intérieur uniquement ; ne pas utiliser sur des tapis. Convient pour les sols durs tels que le vinyle, les carreaux et le bois verni. Veillez à ne pas passer sur des objets libres ou les bords de tapis.
- 5. Ne touchez pas la prise, l'adaptateur secteur ou l'écran avec les mains mouillées pour éviter tout risque d'électrocution.
- 6. N'utilisez pas ce produit pour aspirer des liquides inflammables ou hautement volatils et d'autres liquides chimiquement dangereux (comme l'essence, le kérosène, la peinture, les parfums), et ne l'utilisez pas dans des zones où de tels liquides inflammables ou combustibles peuvent être présents. Sinon, un court-circuit ou une explosion pourrait survenir.
- 7. N'utilisez pas ce produit pour éliminer des substances toxiques ou dangereuses (eau de Javel, ammoniac, déboucheurs de canalisations) ; pour ramasser des objets durs ou pointus (comme du verre, des clous, des vis et des pièces de monnaie) ; ou pour éliminer des sources de chaleur non éteintes, comme des mégots de cigarette et des allumettes, afin d'éviter les incendies.
- 8. Avant utilisation, assurez-vous que les cheveux, les vêtements amples, les doigts et les parties du corps de toute personne restent éloignés des ouvertures et des pièces mobiles de ce produit et de ses accessoires.
- 9. Ne bloquez pas les entrées et les sorties d'air pour éviter la surchauffe. Ne placez aucun objet dans l'orifice d'aspiration du produit. Nettoyez rapidement la poussière, les peluches, les cheveux ou autres débris, car ils peuvent réduire le débit d'air. Lors de la charge, du stockage et de l'utilisation de ce produit, maintenez la température ambiante entre 0 et 40 °C.
- 10. Soyez particulièrement prudent lors du nettoyage dans les escaliers pour éviter les chutes.
- 11. Ne plongez pas la brosse de sol dans l'eau pour éviter d'endommager le produit. Ne secouez pas violemment et ne heurtez pas la machine, pour empêcher les eaux usées de pénétrer dans le moteur. Lorsque vous manipulez le produit, gardez-le en position verticale pour éviter que les eaux usées n'entrent dans le moteur.
- 12. N'exposez pas l'aspirateur à des sources de chaleur ou à des températures excessivement élevées. L'exposition à des sources de chaleur ou à des températures excessives peut provoquer une explosion.
- 13. N'utilisez pas cet aspirateur sans le filtre en coton.

## Charge de la batterie

### ⚠️ Avertissement

1. Ce produit ne doit être utilisé qu'avec la station de charge et l'adaptateur secteur fournis.
2. Veuillez suivre toutes les instructions de chargement et ne pas charger en dehors des températures spécifiées, sinon le risque d'incendie augmente.
3. Ne tirez pas ou ne soulevez pas le câble du socle de charge, et n'utilisez pas le câble comme poignée. Évitez de coincer le câble dans une porte ou de le faire passer sur des arêtes ou coins tranchants.
4. Ne chargez pas et ne placez pas le socle près d'une source de chaleur ou dans une zone humide (comme un radiateur ou une salle de bain).
5. N'utilisez aucun bloc-batterie non rechargeable. Le non-respect peut provoquer un incendie de la batterie lithium-ion. La batterie contenue dans cet aspirateur ne doit être remplacée que par un technicien qualifié ou le service après-vente.
6. N'utilisez aucune batterie, adaptateur secteur ou socle de tiers. Ne démontez, réparez ou modifiez pas la batterie, l'adaptateur secteur ou le socle.
7. Le bloc-batterie lithium-ion contient des substances dangereuses pour l'environnement. Avant de jeter l'aspirateur, retirez d'abord le bloc-batterie, puis jetez-le ou recyclez-le conformément aux lois et règlements locaux du pays ou de la région d'utilisation.
8. En raison d'une surexposition, la batterie peut émettre un liquide. En cas de contact accidentel, rincez à l'eau. Si le liquide pénètre dans les yeux, consultez immédiatement un médecin, car le liquide émis par la batterie peut provoquer une irritation ou des brûlures.
9. Avant de retirer la batterie, l'aspirateur doit être débranché de la source d'alimentation et déchargé autant que possible. Gardez la batterie hors de portée des enfants. N'exposez pas la batterie à des températures élevées pour éviter une explosion, ne mettez jamais la batterie dans la

bouche et si elle est avalée, contactez votre médecin ou le centre antipoisson local.

10. Si le produit n'est pas utilisé pendant une longue période, éteignez-le et débranchez le socle de charge. Assurez-vous de le charger tous les trois mois pour éviter une décharge excessive de la batterie.

## Informations DEEE

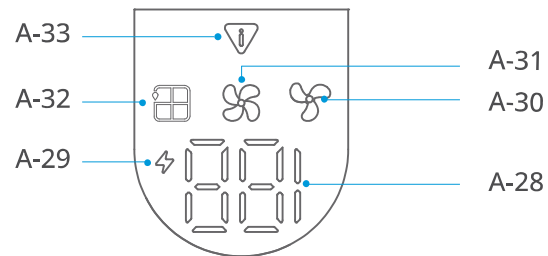
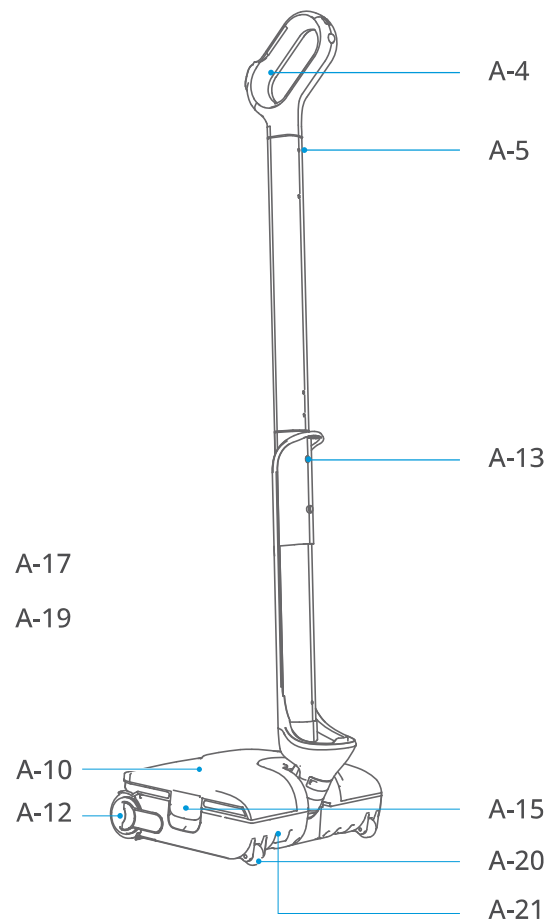
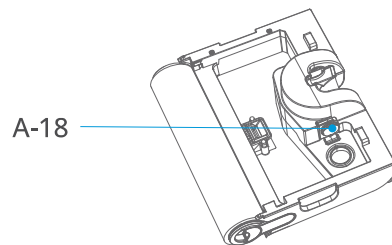
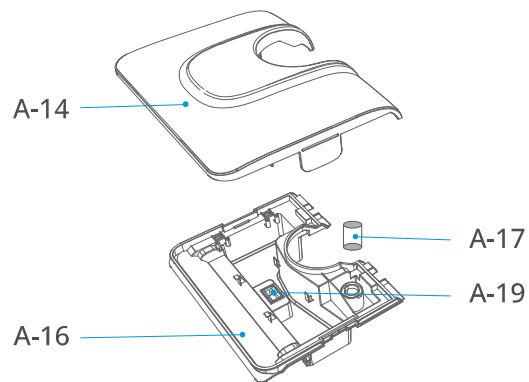
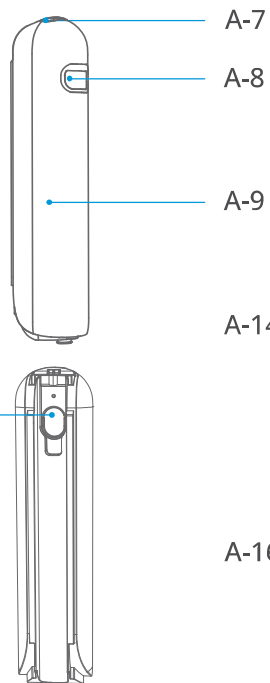
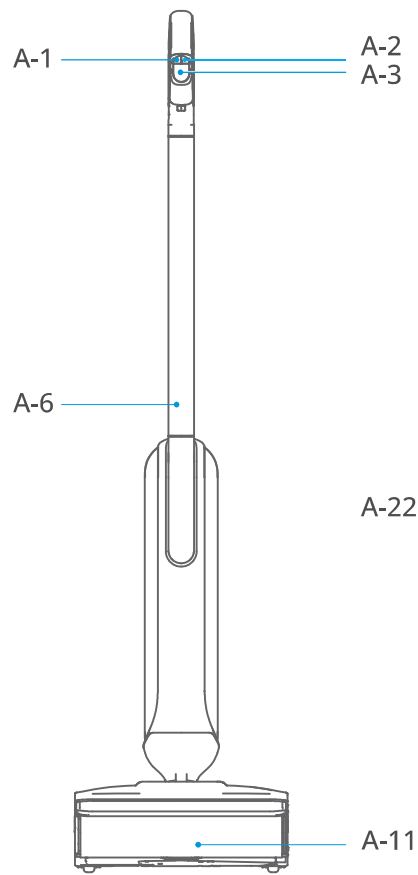
### Bonne disposition de ce produit

Ce symbole indique que ce produit ne doit pas être éliminé avec les ordures ménagères dans toute l'Union Européenne. Pour éviter tout danger potentiel pour l'environnement ou la santé humaine dû à une élimination incontrôlée des déchets, veuillez le recycler de manière responsable afin de favoriser la réutilisation durable des ressources matérielles. Pour restituer votre ancien aspirateur, utilisez le système de retour et de recyclage ou contactez le détaillant chez qui vous avez acheté le produit. Ils peuvent recycler ce produit de manière écologique.

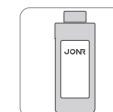


# Présentation du produit

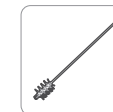
A



A-23



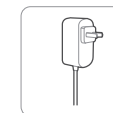
A-24



A-25



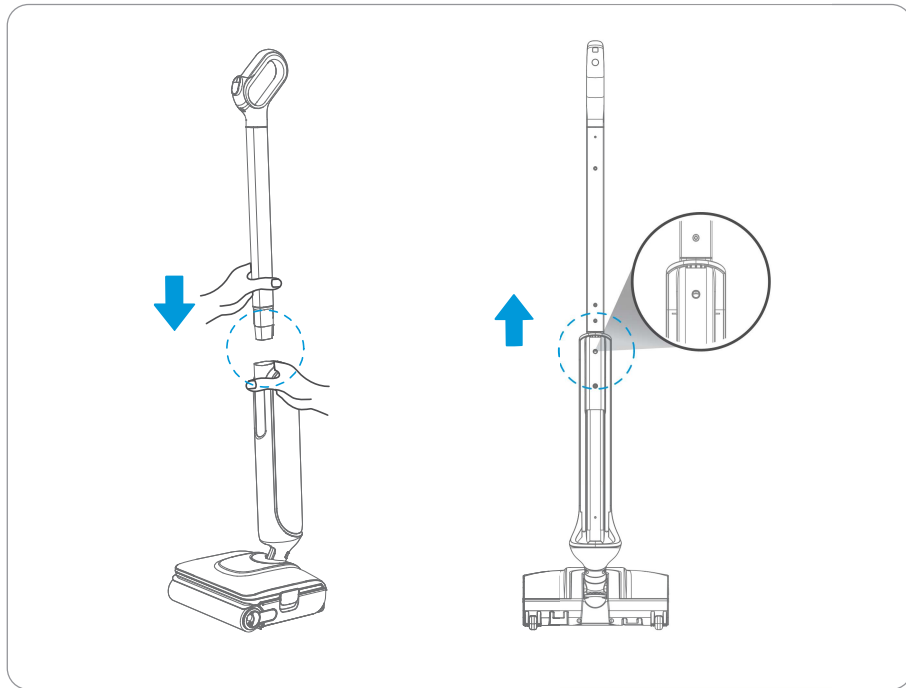
A-26



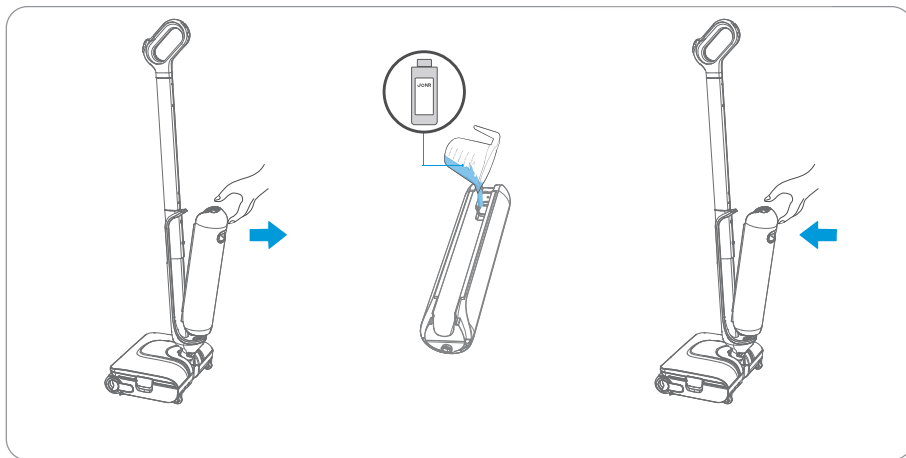
A-27

# Instructions d'installation

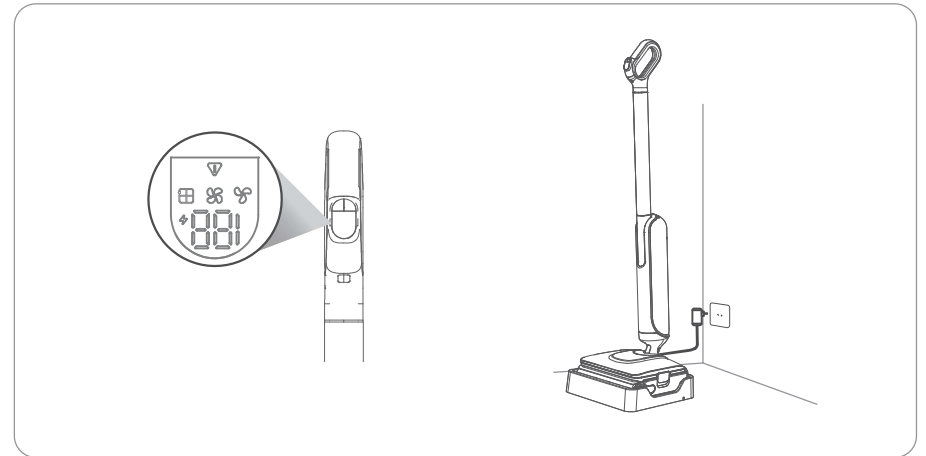
B



B1



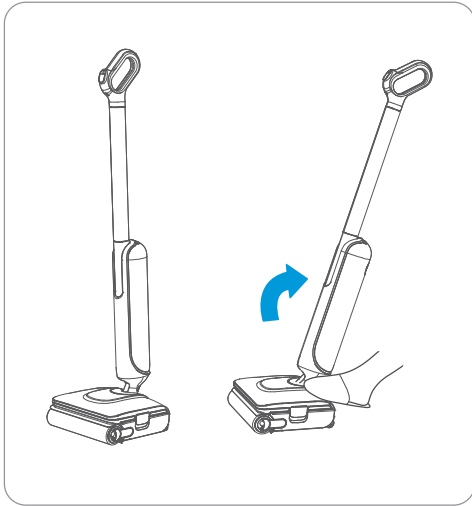
B2



B3

# Comment utiliser

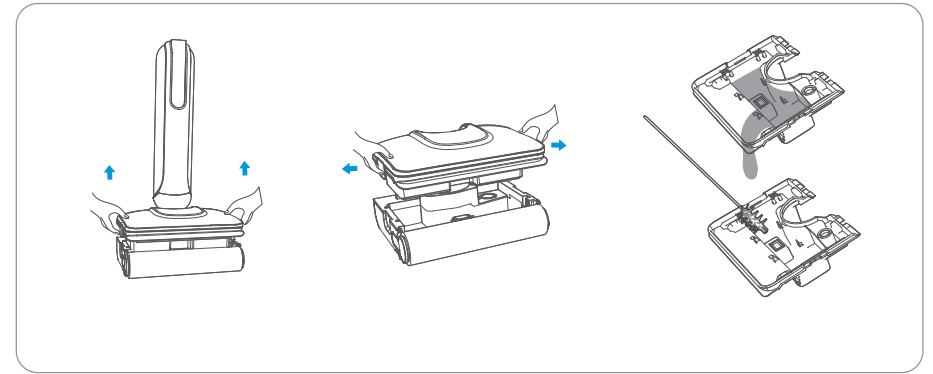
C



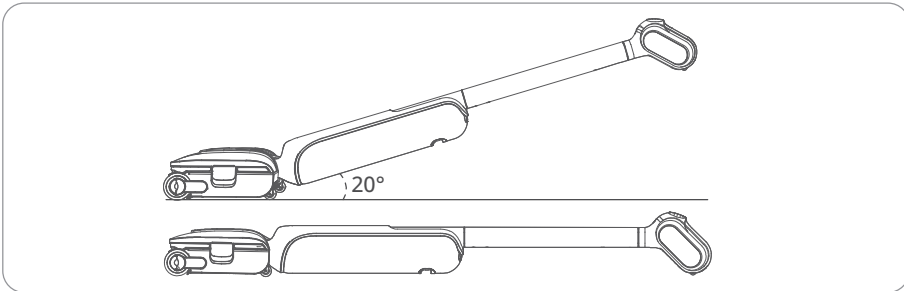
C1



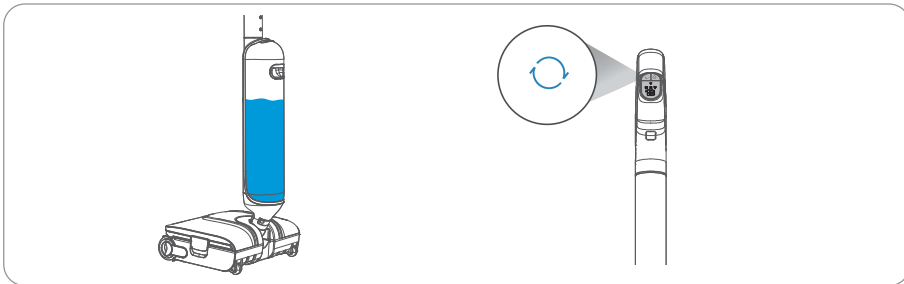
C2



C5



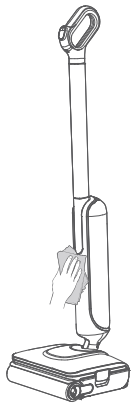
C-3



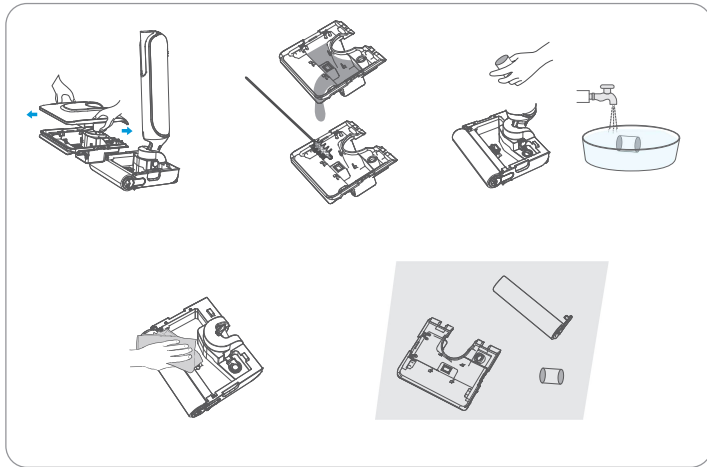
C4

# Entretien et maintenance

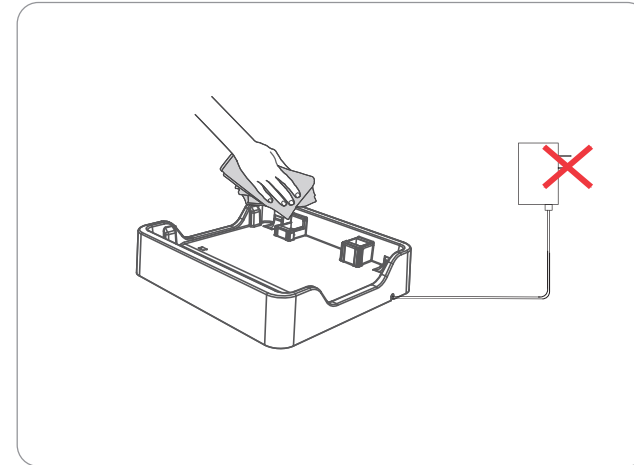
D



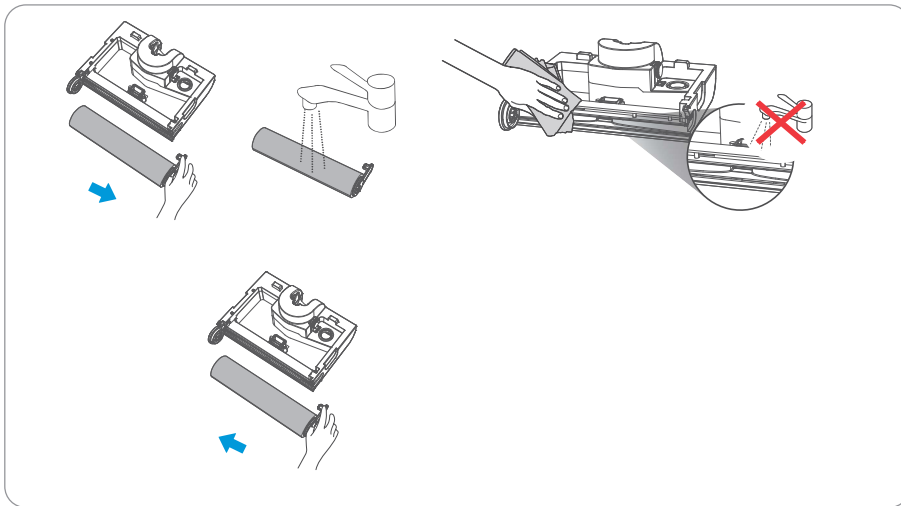
D1



D2



D4



D3

# Présentation du produit

## Aspirateur

- “○” - Bouton de mode (A1)
- “⏻” - Bouton d'alimentation (A2)
- Écran (A3)
- Poignée (A4)
- Orifice de libération de la poignée (A5)
- Tube en aluminium (A6)
- Touche de libération du réservoir d'eau propre (A7)
- Poignée du réservoir d'eau propre (A8)
- Réservoir d'eau du réservoir d'eau propre (A9)
- Réservoir d'eau du réservoir d'eau sale (A10)
- Rouleau brosse (A11)
- Poignée du rouleau brosse (A12)
- Orifice de libération du tube en aluminium (A13)
- Couvercle supérieur du réservoir d'eau sale (A14)
- Poignée du réservoir à eau usée (A15)
- Couvercle inférieur du réservoir à eau usée (A16)
- Filtre en coton (A17)
- Couvercle d'entrée d'air du ventilateur (A18)
- Entrée des eaux usées (A19)
- Roue (A20)
- Port de charge (A21)
- Bouchon d'étanchéité de la cuve à eau propre (A22)

## Liste d'emballage :

- Socle de charge (A23)
- Produit de nettoyage (selon le marché de vente) (A24)
- Brosse d'entretien (A25)
- Manuel d'utilisation (A26)
- Adaptateur (A27)

## Écran :

- Indicateur lumineux de niveau de batterie et de code d'erreur (A28)
- Voyant de charge (A29)
- Mode automatique (A30)
- Mode turbo (A31)
- Mode nettoyage salle de bain (A32)
- Indicateur de dysfonctionnement de la machine (A33)

# Instructions d'installation

## Installation et retrait de la poignée (B1)

1. Installation : Insérez l'extrémité de la poignée verticalement dans le tube en aluminium, puis insérez le tube en aluminium verticalement dans le corps principal jusqu'à entendre un "clic", indiquant que l'installation est réussie.
2. Retrait : Enfoncez un objet long et rigide dans le petit trou à l'arrière du corps de l'appareil (orifice de libération du tube en aluminium), puis saisissez fermement le corps et tirez la poignée vers le haut.

## Régler la langue des rappels vocaux (B2)

Lorsque l'appareil est allumé pour la première fois, la fonction vocale est activée par défaut. Lorsque l'appareil principal n'est pas en charge, appuyez longuement sur le bouton de mode pendant 5 secondes pour désactiver/activer la voix ; lorsque l'appareil principal est en charge, appuyez longuement sur le bouton de mode pendant 5 secondes pour changer la langue de la voix, qui est automatiquement enregistrée après le changement.

## Préparation du réservoir d'eau propre (B3)

1. Appuyez sur les verrous du réservoir d'eau propre tout en tirant vers l'arrière la poignée du réservoir pour le retirer ;
2. Ouvrez le bouchon étanche du réservoir d'eau propre, ajoutez de l'eau propre, et vous pouvez choisir d'ajouter une quantité appropriée de produit de nettoyage officiel JONR ;
3. Remettez le réservoir d'eau propre en place, un clic indiquera que l'installation est réussie.

## Chargement (B4)

Lorsque l'appareil principal est correctement placé sur la base, branchez l'alimentation électrique, vous entendrez l'annonce vocale "Début de la charge". Il est recommandé de charger complètement l'appareil avant la première utilisation. Le temps de charge de 0% à 100% prend généralement environ 2.5 heures.

\* Remarque : Les illustrations de produits et accessoires dans le manuel sont des schémas, fournis à titre indicatif seulement.  
En raison des mises à jour et améliorations des produits, l'appareil physique peut présenter de légères différences par rapport aux schémas ; veuillez vous référer à l'appareil réel.

# Comment utiliser

## Marche/Arrêt (C1)

Appuyez légèrement sur le couvercle de la brosse et inclinez l'aspirateur vers l'arrière. Appuyez sur le bouton d'alimentation pour allumer l'appareil, appuyez à nouveau pour l'éteindre. L'appareil dispose d'une fonction de pause en position verticale. Lorsque l'appareil fonctionne, appuyez sur la brosse de sol et redressez la poignée, après 5 secondes, l'appareil passe en mode veille.

## Changement de mode de nettoyage (C2)

Le mode automatique est activé par défaut au démarrage. Lorsque la laveuse fonctionne sur le sol, vous pouvez appuyer brièvement sur la touche de mode pour basculer entre le mode automatique, le mode puissant et le mode nettoyage salle de bain selon vos besoins.

## Mode couché (C3)

L'appareil peut fonctionner en position couchée à 180°. Lorsque l'appareil est incliné à environ 20° par rapport au sol, il passe automatiquement en mode couché, permettant ainsi de nettoyer les zones basses.

## Auto-nettoyage (C4)

1. Après le nettoyage, remplacez l'aspirateur sur la base et assurez-vous que le réservoir d'eau propre contient suffisamment d'eau pour l'auto-nettoyage.
2. Appuyez brièvement une fois sur le bouton de mode pour démarrer/arrêter le nettoyage automatique.

## Nettoyage du réservoir d'eau sale (C5)

1. Saisissez les poignées du réservoir d'eau sale avec les deux mains et tirez vers le haut pour le retirer de la base.
2. Ouvrez les deux poignées latérales du réservoir d'eau sale vers l'extérieur, puis retirez le couvercle supérieur du réservoir.

3. Versez l'eau sale et nettoyez soigneusement le réservoir à l'aide d'une brosse de nettoyage.
4. Réassemblez le réservoir d'eau sale et remplacez-le sur la base de la brosse de sol.

\* Remarque : Veuillez d'abord essuyer la base de la brosse de sol avant d'installer le réservoir d'eau sale.

# Entretien et maintenance

## Nettoyage du corps de l'appareil (D1)

VNettoyez l'aspirateur avec un chiffon doux et sec. Avant de le nettoyer, retirez-le de sa station de charge et éteignez-le.

## Nettoyage du réservoir d'eau sale, du filtre en coton et du rouleau brosse (D2)

1. Retirez le réservoir d'eau sale de l'appareil principal et ouvrez le couvercle du réservoir.
2. Jetez les eaux usées et nettoyez le réservoir des eaux usées avec une brosse de nettoyage.
3. Retirez le filtre en mousse, éliminez les débris dessus et rincez-le à l'eau.
4. Couvrez l'ouverture d'entrée d'air du ventilateur avec le cache, et essuyez l'orifice d'entrée des déchets avec un chiffon humide.
5. Laissez sécher la partie de la brosse de sol, le réservoir des eaux usées et le filtre en mousse, puis réinstallez-les en place.

## Nettoyage du rouleau brosse (D3)

1. Appuyez sur le bouton de libération du couvercle du rouleau brosse, retirez le rouleau, éliminez les cheveux et débris résiduels sur le rouleau, et coupez les cheveux enroulés autour. Si des taches tenaces persistent sur le rouleau après le nettoyage automatique, vous pouvez le rincer à nouveau à l'eau.
2. Nettoyage de l'entrée d'aspiration des impuretés : Si des résidus

salissants persistent au niveau de l'entrée d'aspiration (ouverture visible après retrait du rouleau brosse), nettoyez-les avec un chiffon humide. Il est interdit de les rincer à l'eau.

3. Attendez que tous les composants soient bien secs avant de les réinstaller à leur place.

## Nettoyage de la base de charge (D4)

Débranchez la prise d'alimentation de la base de charge et utilisez un chiffon doux et sec pour essuyer la surface de la base ainsi que les points de contact de charge.

\*Remarque : Ne rincez pas directement la base de charge à l'eau.

Il est nécessaire de retirer d'abord le réservoir d'eau sale avant de pouvoir démonter le rouleau brosse.

Lors du nettoyage de la partie de la brosse de sol, veuillez couvrir le capot de l'orifice du ventilateur pour éviter que l'eau ne pénètre et n'endommage le ventilateur. Ouvrez à nouveau le capot de l'orifice du ventilateur une fois le nettoyage terminé.

## Tableau des paramètres

Modèle du produit	H2
Entrée nominale de charge	100-240V~ 50-60Hz
Sortie de charge	27V==0.85A
Temps de charge	environ 2.5h
Puissance	100W
Tension	21.6V
Dimensions du produit	280x230x1110mm
Capacité du réservoir d'eau propre	1500ml
Capacité du réservoir d'eau usée	600ml

# Questions fréquentes et solutions

Problème	Cause et solution
Odeur désagréable lors de l'utilisation	- Nettoyer le réservoir d'eau sale, le filtre en coton et le rouleau brosse
Le rouleau brosse ne tourne pas	<ul style="list-style-type: none"> <li>- Enchevêtré par des cheveux ou d'autres objets étrangers, veuillez les nettoyer</li> <li>- Le réservoir d'eau sale est plein, veuillez le vider</li> <li>- Batterie faible, veuillez recharger</li> <li>- Des débris obstruent l'entrée des saletés, veuillez les dégager</li> </ul>
Production d'une grande quantité de mousse lors du nettoyage	<ul style="list-style-type: none"> <li>- N'ajoutez pas de produit nettoyant non recommandé par JONR dans le réservoir d'eau propre</li> <li>- Un débordement de mousse dans le réservoir d'eau sale peut provoquer l'arrêt de l'appareil. Veuillez retirer le rouleau brosse et le réservoir d'eau sale pour éliminer la solution moussante. Ce produit est compatible uniquement avec les agents nettoyants spécifiques JONR.</li> </ul>
Impossible de charger lorsqu'il est sur le support de charge	<ul style="list-style-type: none"> <li>- Nettoyez les bornes de charge du socle de charge et les points de connexion de charge sur l'appareil</li> <li>- Assurez-vous que l'alimentation est correctement branchée et que l'appareil est correctement positionné</li> </ul>
L'aspirateur ne fonctionne pas	<ul style="list-style-type: none"> <li>- Non chargé ou batterie faible, chargez complètement l'aspirateur avant utilisation</li> <li>- Blocage par un objet étranger ou protection contre la surchauffe déclenchée, retirez l'objet et laissez l'appareil revenir à température ambiante</li> <li>- Le réservoir d'eau sale est plein, veuillez le vider</li> <li>- Les accessoires ne sont pas correctement installés, veuillez les remettre en place</li> </ul>
L'aspirateur se charge lentement	- La température de la batterie est trop élevée ou trop basse, attendez qu'elle revienne à température ambiante
L'aspirateur a une faible aspiration	<ul style="list-style-type: none"> <li>- Le rouleau brosse est enroulé par des cheveux ou des objets étrangers, veuillez nettoyer le rouleau brosse</li> <li>- Le filtre en mousse est obstrué. Nettoyez-le</li> <li>- Le tuyau d'aspiration ou l'entrée d'aspiration est obstrué(e), veuillez nettoyer</li> <li>- La brosse roulante ou le réservoir d'eau usée n'est pas correctement installé, veuillez le réinstaller.</li> </ul>
Le moteur émet des bruits anormaux	<ul style="list-style-type: none"> <li>- Le réservoir d'eau sale est plein, veuillez le vider</li> <li>- L'entrée d'aspiration est obstruée, veuillez nettoyer</li> <li>- Le réservoir d'eau propre est vide ou n'est pas correctement installé, veuillez le remplir d'eau et réinstaller le réservoir d'eau propre</li> </ul>
L'aspirateur ne délivre pas d'eau	- Le réservoir d'eau propre n'est pas correctement installé, veuillez l'installer correctement avant de commencer le nettoyage

# Questions fréquentes et solutions

Problème	Cause et solution
Échec de la fonction d'auto-nettoyage	<ul style="list-style-type: none"><li>- La brosse rouleau est bloquée par un gros objet étranger, veuillez vérifier et nettoyer</li><li>- Batterie faible ou non chargée, assurez-vous que l'appareil est chargé sur la base avant d'activer l'auto-nettoyage</li><li>- Le réservoir d'eau usée n'est pas correctement installé ou est plein, veuillez vider le réservoir ou l'installer correctement</li><li>- Le réservoir d'eau propre n'est pas correctement installé ou manque d'eau, veuillez réinstaller le réservoir ou le remplir avec suffisamment d'eau propre</li></ul>

\* En cas d'indicateur de code d'erreur signalant un dysfonctionnement de l'appareil, ou de problèmes non résolubles tels qu'une impossibilité de charger ou l'arrêt du fonctionnement, veuillez contacter rapidement le service après-vente JONR : [service@jonrtech.com](mailto:service@jonrtech.com)

# Schnellanleitung

- A. Bitte stellen Sie die Ladestation auf einen harten Bodenbelag.
- B. Stellen Sie das Gerät vor dem ersten Gebrauch auf die Ladestation und schließen Sie es an die Stromversorgung an, bis es vollständig aufgeladen ist, bevor Sie es in Betrieb nehmen.
- C. Dieses Produkt ist ausschließlich für harte Bodenbeläge geeignet. Bitte füllen Sie den Frischwassertank mit Wasser, bevor Sie es verwenden.
- D. Kippen Sie das Schmutzwasser nach der Selbstreinigungsfunktion umgehend aus, um Geruchsbildung zu vermeiden.
- E. Reinigen Sie regelmäßig die Rollbürste und den Schmutzansaugstutzen und wechseln Sie den Schaumstofffilter, um eine Verstopfung des Geräts und einen Saugkraftverlust zu vermeiden.
- F. Verwenden Sie ausschließlich von JONR offiziell empfohlene Reinigungsmittel. Die Verwendung von schaubildenden Reinigungsmitteln, Seifenlauge, Parfüm oder korrosiven Flüssigkeiten ist strengstens untersagt.
- G. Wenn die Fehleranzeige eine Maschinenstörung anzeigt oder Probleme wie fehlende Aufladung, Maschinenstillstand usw. auftreten, die nicht selbst behoben werden können, wenden Sie sich bitte umgehend an den JONR-Kundendienst: [service@jonrtech.com](mailto:service@jonrtech.com)

## Sicherheitshinweise Nutzungseinschränkungen

1. Kinder unter 8 Jahren oder Personen mit eingeschränkten körperlichen, sensorischen oder geistigen Fähigkeiten oder mit geringer Erfahrung oder Kenntnis sollten den Staubsauger nur unter Aufsicht einer erwachsenen Aufsichtsperson verwenden, um einen sicheren Betrieb und die Vermeidung jeglicher Risiken zu gewährleisten. Reinigungs- und Wartungsarbeiten dürfen von Kindern nicht unbeaufsichtigt durchgeführt werden.
2. Dieser Staubsauger ist nicht für Personen geeignet, deren körperliche, sensorische oder geistige Fähigkeiten eingeschränkt sind oder die über unzureichende Erfahrung oder Kenntnisse verfügen (einschließlich Kinder), es sei denn, sie stehen unter der Aufsicht oder Anleitung einer für ihre Sicherheit verantwortlichen Person hinsichtlich der Verwendung des Staubsaugers.

3. Die Kunststoffolie, die zur Produktverpackung verwendet wird, kann gefährlich sein und muss von Kindern ferngehalten werden, um Ersticken- und Erstickungsgefahr zu vermeiden.
4. Nur für den Innenbereich geeignet; nicht auf Teppichen verwenden. Geeignet für harte Böden wie Vinylböden, Fliesen und versiegelte Holzböden. Achten Sie darauf, nicht über lose Gegenstände oder die Kanten von Bodenmatten zu fahren.
5. Berühren Sie Steckdose, Netzteil oder Display nicht mit nassen Händen, um das Risiko eines elektrischen Schlags zu vermeiden.
6. Verwenden Sie dieses Produkt nicht für entzündbare oder hochflüchtige Flüssigkeiten und andere chemisch gefährliche Flüssigkeiten (wie Benzin, Kerosin, Farbe und Parfüm) oder in Bereichen, in denen entzündbare oder brennbare Flüssigkeiten vorhanden sein können. Andernfalls kann es zu Kurzschlüssen oder Explosionen kommen.
7. Verwenden Sie dieses Produkt nicht zur Beseitigung giftiger oder schädlicher Substanzen (Chlorbleiche, Ammoniak, Abflussreiniger); oder zum Aufsaugen harter oder scharfer Gegenstände (wie Glas, Nägel, Schrauben und Münzen); oder zur Beseitigung nicht vollständig gelöschter heißer Quellen wie Zigarettenkippen und Streichhölzer, um Brände zu vermeiden.
8. Stellen Sie vor der Verwendung sicher, dass sich Haare, lockere Kleidung, Finger oder andere Körperteile von den Öffnungen und beweglichen Teilen des Produkts und seiner Zubehöreile fernhalten.
9. Blockieren Sie die Lufteinlässe und -auslässe nicht, um eine Überhitzung zu vermeiden. Platzieren Sie keine Gegenstände im Ansaugstutzen des Produkts. Entfernen Sie regelmäßig Staub, Fusseln, Haare oder andere Ablagerungen, da diese den Luftstrom beeinträchtigen können. Halten Sie beim Laden, Lagern und Bedienen des Produkts eine Umgebungstemperatur zwischen 0 und 40 °C ein.
10. Seien Sie besonders vorsichtig bei der Reinigung auf Treppen, um Stürze zu vermeiden.
11. Tauchen Sie den Bodenbürstenaufsatz nicht ins Wasser, um eine Beschädigung des Produkts zu vermeiden. Schütteln oder stoßen Sie die Maschine nicht heftig, um ein Eindringen von Abwasser in den Motor zu verhindern. Halten Sie das Produkt bei der Handhabung aufrecht, damit kein Abwasser in den Motor gelangen kann.
12. Setzen Sie den Staubsauger keiner offenen Flamme oder übermäßig hohen Temperaturen aus. Die Exposition gegenüber offener Flamme oder extremer Hitze kann zu einer Explosion führen.
13. Verwenden Sie diesen Staubsauger niemals ohne Vliesfilter.

## Batterie laden

### ⚠️ Warnung

1. Dieses Produkt darf nur mit dem mitgelieferten Ladestation und Netzteil verwendet werden.
2. Bitte halten Sie sich an alle Ladeanweisungen und laden Sie das Gerät nicht außerhalb des angegebenen Temperaturbereichs, da dies die Brandgefahr erhöht.
3. Ziehen oder heben Sie nicht am Kabel des Ladedocks und verwenden Sie das Kabel nicht als Griff. Vermeiden Sie es, das Kabel einzuklemmen oder über scharfe Kanten oder Ecken zu ziehen.
4. Laden Sie das Gerät nicht in der Nähe von Wärmequellen oder in feuchten Bereichen (wie z. B. Heizkörpern oder Badezimmern) auf und platzieren Sie das Dock nicht dort.
5. Verwenden Sie keine nicht wiederaufladbaren Batteriepacks. Die Nichtbeachtung kann zu Bränden in Lithium-Ionen-Batterien führen. Der in diesem Staubsauger enthaltene Akku darf nur von qualifiziertem Fachpersonal oder dem Kundendienst ausgetauscht werden.
6. Verwenden Sie keine Batterien, Netzadapter oder Docks von Drittanbietern. Nehmen Sie keine Demontage, Reparatur oder Modifikation an Batterien, Netzadaptern oder Docks vor.
7. Lithium-Ionen-Batteriepacks enthalten Substanzen, die umweltschädlich sind. Entfernen Sie den Akku, bevor Sie den Staubsauger entsorgen, und entsorgen oder recyceln Sie ihn gemäß den örtlichen Gesetzen und Vorschriften des Landes oder der Region, in der Sie das Gerät verwenden.
8. Aufgrund von Überbeanspruchung kann die Batterie Flüssigkeit ausstoßen. Spülen Sie bei versehentlichem Kontakt mit Wasser ab. Wenn Flüssigkeit in die Augen gelangt, suchen Sie sofort einen Arzt auf, da aus der Batterie ausgestoßene Flüssigkeit Reizungen oder Verbrennungen verursachen kann.
9. Vor dem Entfernen des Akkus muss der Staubsauger vom Stromnetz getrennt und möglichst entladen werden. Bewahren Sie den Akku außerh

alb der Reichweite von Kindern auf. Setzen Sie den Akku keiner hohen Hitze aus, um eine Explosion zu vermeiden. Nehmen Sie den Akku niemals in den Mund. Falls verschluckt, wenden Sie sich an Ihren Arzt oder die örtliche Giftnotrufzentrale.

10. Wenn das Produkt über einen längeren Zeitraum nicht verwendet werden soll, schalten Sie es aus und ziehen Sie das Ladedock vom Stromnetz. Stellen Sie sicher, dass der Akku alle drei Monate aufgeladen wird, um eine Tiefentladung zu vermeiden.

## WEEE-Informationen

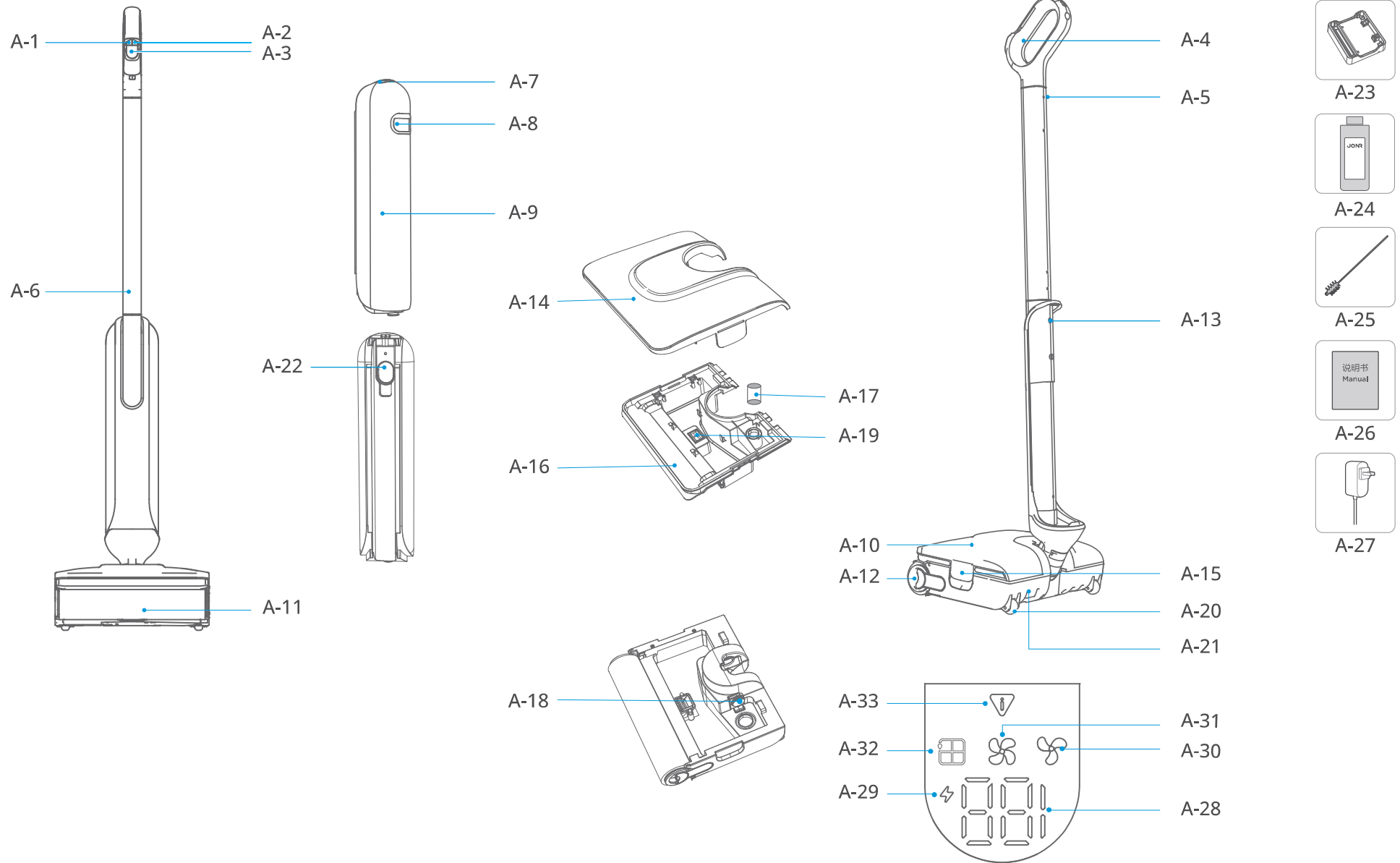
### Richtige Handhabung dieses Produkts

Dieses Symbol zeigt, dass dieses Produkt nicht mit anderen Haushaltsabfällen in der gesamten EU entsorgt werden sollte. Um mögliche Schäden für die Umwelt oder die menschliche Gesundheit durch eine unkontrollierte Abfallentsorgung zu verhindern, recyceln Sie es bitte verantwortungsvoll, um die nachhaltige Wiederverwendung von Materialressourcen zu fördern. Um Ihren alten Staubsauger zurückzugeben, nutzen Sie bitte das Rückgabe- und Recyclingsystem oder wenden Sie sich an den Händler, bei dem Sie das Produkt gekauft haben. Dieser kann das Produkt umweltgerecht recyceln.



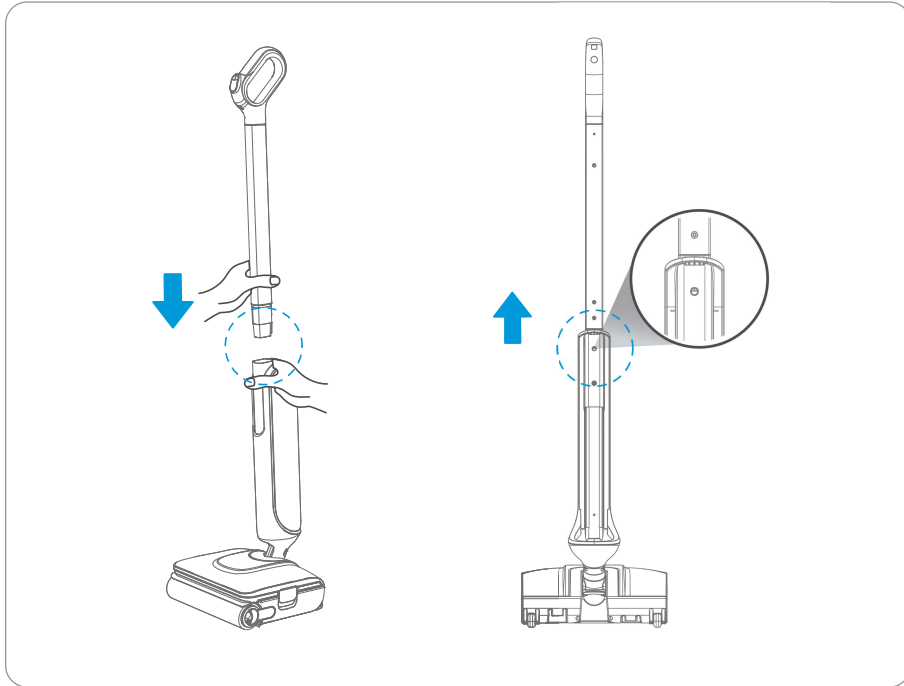
# Produktübersicht

A

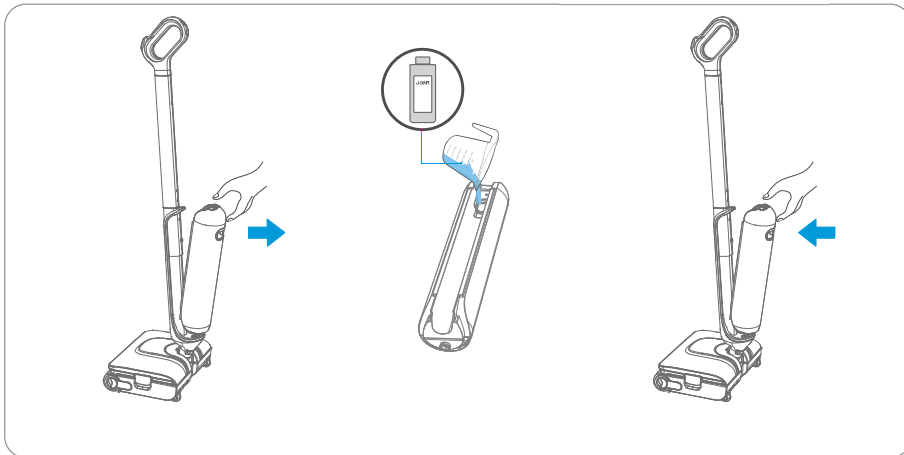


# Montageanleitung

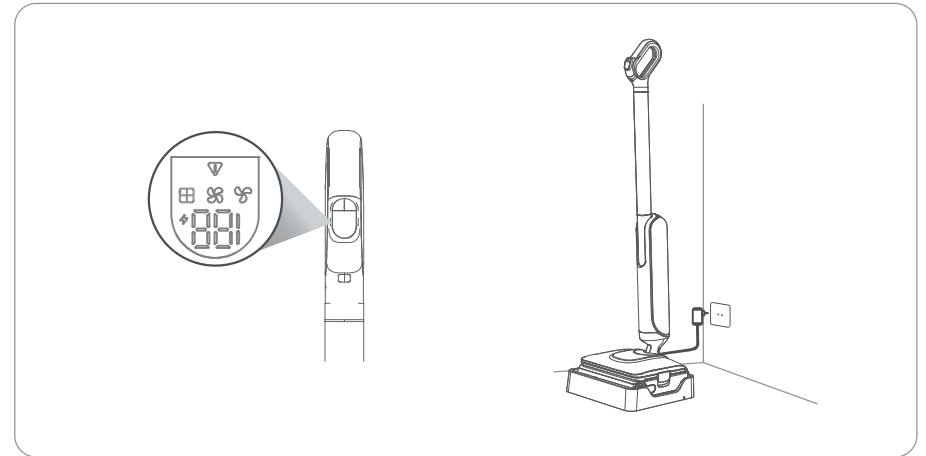
B



B1



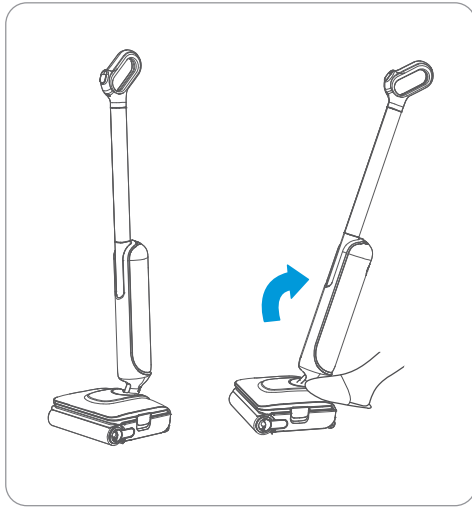
B2



B3

# Gebrauchsanweisung

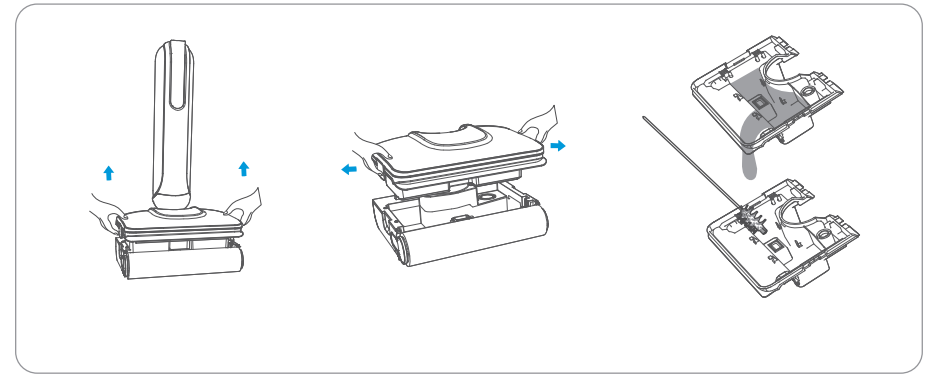
C



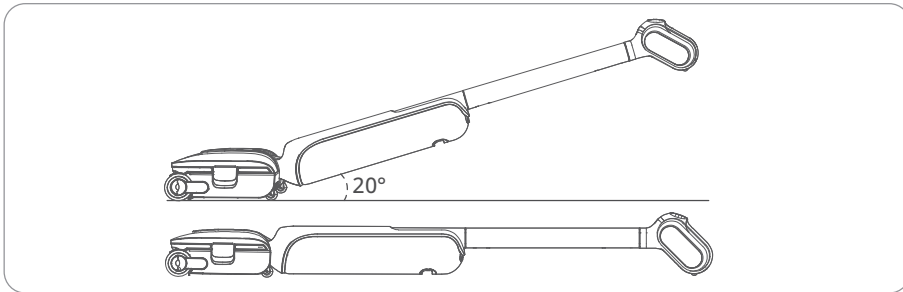
C1



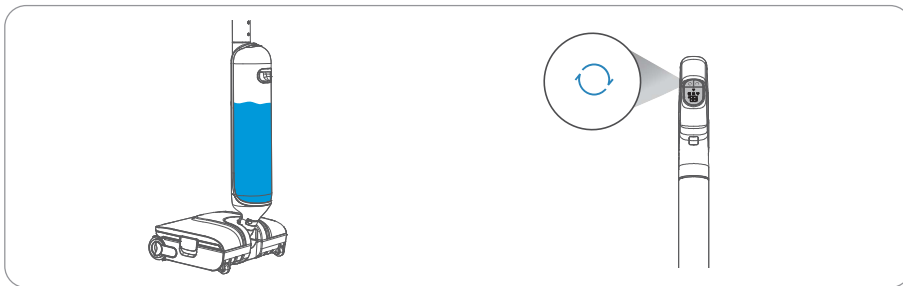
C2



C5



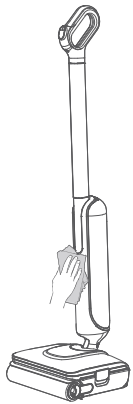
C-3



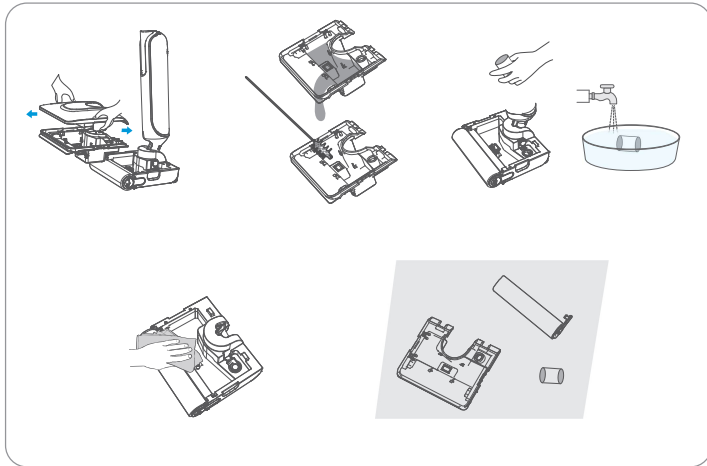
C4

# Wartung und Pflege

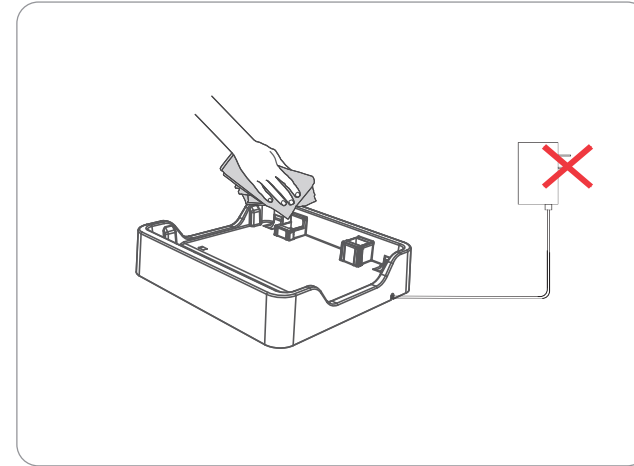
D



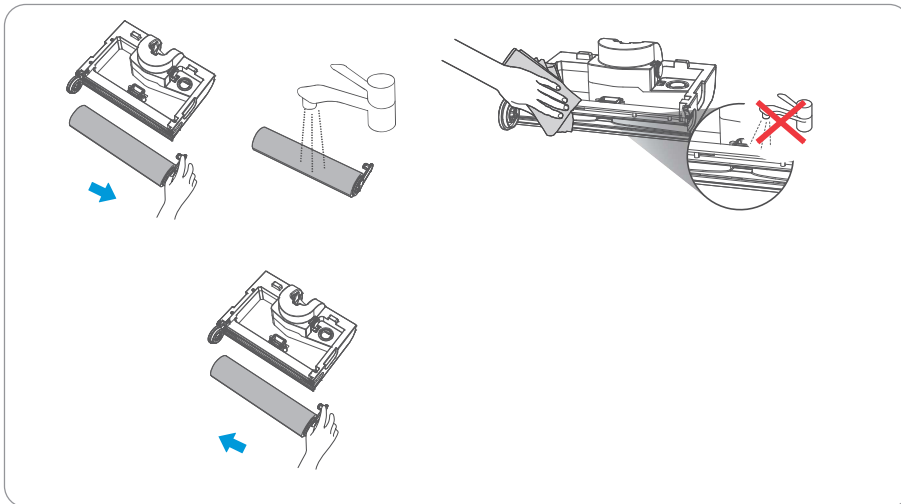
D1



D2



D4



D3

# Produktübersicht

## Staubsauger

- “○” - Modus-Taste (A1)
- “⏻” - Netzschalter (A2)
- Display (A3)
- Griff (A4)
- Griffentriegelungsöffnung (A5)
- Aluminiumrohr (A6)
- Leertaste für Frischwassertank (A7)
- Tragegriff für Frischwassertank (A8)
- Frischwassertank (A9)
- Abwassertank (A10)
- Rollbürste (A11)
- Rollbürstengriff (A12)
- Auswurfloch für Aluminiumrohr (A13)
- Abwassertank-Deckel (A14)
- Abwassertank-Griff (A15)
- Abwasserbecken-Unterdeckel (A16)
- Filterwatte (A17)
- Lüftereinlassabdeckung (A18)
- Schmutz-Einlass (A19)
- Rollen (A20)
- Ladeschnittstelle (A21)
- Dichtungsdeckel des Frischwassertanks (A22)

## Verpackungsliste:

- Ladestation (A23)
- Reinigungslösung (abhängig vom Verkaufsmarkt) (A24)
- Reinigungsbürste (A25)
- Benutzerhandbuch (A26)
- Adapter (A27)

## Anzeigefeld:

- Anzeige für Akkustand und Fehlercodes (A28)
- Ladungshinweisanzeige (A29)
- Automatikmodus (A30)
- Starkmodus (A31)
- Badezimmer-Reinigungsmodus (A32)
- Warnleuchte für Maschinenbetriebsstörung (A33)

# Montageanleitung

## Montage und Demontage des Griffs (B1)

1. Montage: Führen Sie das Ende des Griffs vertikal in das Aluminiumrohr ein, und führen Sie dann das Aluminiumrohr vertikal in das Hauptgerät ein, bis ein deutliches Klicken zu hören ist. Dies signalisiert den erfolgreichen Einbau.
2. Demontage: Führen Sie einen dünnen, länglichen Gegenstand in das kleine Loch auf der Rückseite des Gehäuses (Aluminiumrohr-Entriegelungsbohrung) ein. Halten Sie das Gehäuse fest und ziehen Sie den Griff nach oben heraus.

## Einstellung der Sprache für Sprachansagen (B2)

Bei der erstmaligen Inbetriebnahme des Geräts ist die Sprachfunktion standardmäßig aktiviert. Wenn das Hauptgerät nicht aufgeladen wird, können Sie die Sprache durch langes Drücken der Modustaste (5 Sekunden) deaktivieren/aktivieren. Wird das Hauptgerät aufgeladen, können Sie die Sprachsprache durch langes Drücken der Modustaste (5 Sekunden) wechseln. Nach dem Wechsel wird die Einstellung automatisch gespeichert.

## Vorbereitung des Frischwassertanks (B3)

1. Drücken Sie die Rastklammern des Frischwassertanks und ziehen Sie gleichzeitig am Griff des Frischwassertanks nach hinten, um den Tank zu entfernen;
2. Öffnen Sie den Verschlussdeckel des Frischwassertanks, fügen Sie frisches Wasser hinzu und optional eine angemessene Menge des offiziellen JONR Reinigungsmittels;
3. Setzen Sie den Frischwassertank wieder ein, ein hörbares "Klick"-Geräusch zeigt eine erfolgreiche Installation an.

## Aufladen (B4)

Wenn die Haupteinheit korrekt in die Dockingstation eingesetzt ist, stecken Sie das Netzkabel ein. Sie hören eine Sprachansage "Aufladen beginnt". Es wird empfohlen, das Gerät vor der ersten Verwendung vollständig aufzuladen. Das Aufladen von 0% auf 100% dauert in der Regel etwa 2,5 Stunden.

\*Hinweis: Die Abbildungen von Produkten und Zubehör in der Anleitung sind schematische Darstellungen und dienen nur zur Veranschaulichung. Aufgrund von Produktaktualisierungen und -upgrades kann das tatsächliche Produkt geringfügig von den schematischen Darstellungen abweichen. Das gelieferte Produkt ist maßgebend.

# Gebrauchsanweisung

## Einschalten/Ausschalten (C1)

Treten Sie leicht auf den Bürstendeckel und neigen Sie den Staubsauger nach hinten. Drücken Sie den Netzschalter zum Einschalten, drücken Sie ihn erneut zum Ausschalten. Das Gerät verfügt über eine aufrechte Standby-Funktion. Wenn das Gerät läuft, treten Sie auf den Bodenreiniger und stellen den Griff aufrecht, nach 5 Sekunden geht das Gerät in den Standby-Modus.

## Reinigungsmodus wechseln (C2)

Im eingeschalteten Zustand ist standardmäßig der Automatikmodus aktiv. Wenn der Bodenwischer auf dem Boden arbeitet, können Sie durch kurzes Drücken der Modustaste je nach Bedarf zwischen Automatikmodus, Turbo-Modus und Badezimmerreinigungsmodus umschalten.

## Flachliegender Modus (C3)

Das Gerät kann in einer flach liegenden Position von 180° betrieben werden. Wenn das Gerät auf etwa 20° zum Boden geneigt wird, schaltet es automatisch in den flach liegenden Modus, um niedrige Bereiche reinigen zu können.

## Selbstreinigung (C4)

1. Stellen Sie nach Abschluss der Reinigung den Staubsauger zurück auf das Dock und stellen Sie sicher, dass der Wasserstand im Frischwassertank für die Selbstreinigung ausreicht.
2. Drücken Sie kurz einmal auf die Modustaste, um die Selbstreinigung zu starten/pausieren.

## Leerung des Abwassertanks (C5)

1. Ziehen Sie den Abwassertank mit beiden Händen an den Griffen nach oben aus dem Gerätefuß heraus.
2. Klappen Sie beide Griffe des Abwassertanks nach außen und entfernen Sie den Deckel.

3. Gießen Sie das Schmutzwasser aus und reinigen Sie den Schmutzwassertank mit einer Reinigungsbürste.
4. Setzen Sie den Schmutzwasserbehälter zusammen und setzen Sie ihn wieder auf die Bodenbürstenbasis.

\* Hinweis: Trocknen Sie den Bodenbürstenfuß bitte zuerst ab, bevor Sie den Abwassertank einsetzen.

# Wartung und Pflege

## Reinigung des Gehäuses (D1)

Reinigen Sie das Gehäuse des Staubsaugers mit einem weichen, trockenen Tuch. Vor der Reinigung nehmen Sie den Staubsauger von der Ladestation und schalten Sie ihn aus.

## Reinigung des Schmutzwasserbehälters, des Filtervlieses und der Rollbürstenbaugruppe (D2)

1. Nehmen Sie den Schmutzwassertank vom Gerät ab und öffnen Sie den Deckel des Schmutzwassertanks.
2. Gießen Sie das Schmutzwasser aus und reinigen Sie den Schmutzwasserbehälter mit der Reinigungsbürste.
3. Nehmen Sie das Filtervlies ab, entfernen Sie den Schmutz vom Filtervlies und spülen Sie es mit Wasser ab.
4. Decken Sie den Lüftereinlass mit der Lüftereinlassabdeckung ab und wischen Sie den Schmutz einlass mit einem feuchten Tuch ab.
5. Lassen Sie den Bodenbürstenteil, den Schmutzwasserbehälter und das Filtervlies trocknen und setzen Sie sie dann wieder ein.

## Reinigen der Rollbürstenbaugruppe (D3)

1. Betätigen Sie die Freigabetaste der Rollbürstenabdeckung, nehmen Sie die Rollbürste heraus, entfernen Sie die verbliebenen Haare und Ablagerungen auf der Rollbürste, schneiden Sie die Haare ab, die sich um die Rollbürste gewickelt haben. Falls nach der Selbstreinigung auf der Rollbürste immer noch schwere oder hartnäckige Flecken vorhanden sind, können Sie diese erneut mit Wasser abspülen und reinigen.

2. Reinigen des Schmutzaufsatzes: Wenn am Schmutzaufsatz (die Öffnung, die nach dem Entfernen der Rollbürste sichtbar wird) noch Rückstände vorhanden sind, wischen Sie diese mit einem feuchten Tuch ab. Das Abspülen mit Wasser ist verboten.

3. Nachdem alle Komponenten getrocknet sind, setzen Sie sie wieder ein.

\* Hinweis: Spülen Sie die Ladestation nicht direkt mit Wasser ab.

Der Rollbürsten kann erst entfernt werden, nachdem der Abwassertank abgenommen wurde.

Decken Sie bei der Reinigung des Bodenbürstenteils den Gebläsedurchlass mit dem Deckel ab, um zu verhindern, dass Wasser in das Gebläse eindringt und Schäden verursacht. Öffnen Sie den Gebläsedurchlassdeckel erst nach Abschluss der Reinigung.

## Reinigen der Ladestation (D4)

Ziehen Sie den Netzstecker der Ladestation, und reinigen Sie die Oberfläche der Ladestation und die Ladekontaktpunkte mit einem weichen, trockenen Tuch.

## Parameterliste

Produktmodell	H2
Nennladungseingang	100-240V~ 50-60Hz
Ladeausgang	27V==0.85A
Ladezeit	ca. 2,5h
Leistung	100W
Spannung	21.6V
Produktabmessungen	280x230x1110mm
Sauberwassertankkapazität	1500ml
Schmutzwassertankkapazität	600ml

# Häufig gestellte Fragen und Lösungen

Problem	Ursache und Lösung
Unangenehmer Geruch während der Benutzung	- Reinigen Sie den Schmutzwasserbehälter, das Filtervlies und die Rollbürste
Rotorwalze dreht sich nicht	<ul style="list-style-type: none"> <li>- Durch Haare oder andere Fremdkörper blockiert, bitte reinigen</li> <li>- Abwassertank ist voll, bitte leeren</li> <li>- Niedriger Akkustand, bitte aufladen</li> <li>- Verstopfung am Schmutzansaugstutzen, bitte entfernen</li> </ul>
Beim Reinigen entsteht viel Schaum	<ul style="list-style-type: none"> <li>- Keine Reinigungsmittel in den Frischwassertank geben, die nicht von JONR empfohlen sind</li> <li>- Nachdem der Schmutzwasserbehälter mit Schaum gefüllt ist, wird die Maschine deaktiviert. Bitte entfernen Sie die Rollbürste und den Schmutzwasserbehälter und reinigen Sie die Schaumflüssigkeit. Dieses Produkt unterstützt nur die Verwendung von JONR-spezifischen Reinigungsmitteln.</li> </ul>
Kann nicht auf der Ladestation aufgeladen werden	<ul style="list-style-type: none"> <li>- Reinigen Sie die Ladkontakte des Ladestations-Dock und den Ladeanschluss am Gerätekörper</li> <li>- Stellen Sie sicher, dass die Stromversorgung korrekt angeschlossen ist und das Gerät richtig positioniert ist</li> </ul>
Der Staubsauger arbeitet nicht	<ul style="list-style-type: none"> <li>- Nicht geladen oder niedriger Akkustand, Laden Sie den Staubsauger vor dem Gebrauch vollständig auf</li> <li>- Fremdkörper blockieren und lösen Überhitzungsschutz aus, entfernen Sie die Fremdkörper und lassen Sie das Gerät auf Raumtemperatur abkühlen</li> <li>- Der Abwasserbehälter ist voll, leeren Sie den Abwasserbehälter</li> <li>- Zubehörteile sind nicht korrekt installiert, bringen Sie alle Zubehörteile ordnungsgemäß an</li> </ul>
Der Staubsauger lädt langsam	- Die Akkutemperatur ist zu hoch oder zu niedrig, warten Sie, bis Raumtemperatur erreicht ist
Die Saugkraft des Staubsaugers ist schwach	<ul style="list-style-type: none"> <li>- Bürstenwalze durch Haare oder Fremdkörper blockiert, bitte Bürstenwalze reinigen</li> <li>- Der Filterstoff ist verstopft, bitte den Filterstoff reinigen.</li> <li>- Saugschlauch oder Saugöffnung verstopft, bitte reinigen</li> <li>- Die Bürstenwalze oder der Schmutzwassertank ist nicht richtig installiert, bitte erneut installieren</li> </ul>
Motor gibt ungewöhnliche Geräusche von sich	<ul style="list-style-type: none"> <li>- Schmutzbehälter voll, bitte leeren</li> <li>- Saugöffnung verstopft, bitte reinigen</li> <li>- Wassertank leer oder nicht korrekt installiert, bitte Wasser nachfüllen und Wassertank erneut einbauen</li> </ul>
Staubsauger gibt kein Wasser ab	- Wassertank nicht korrekt installiert, bitte korrekt installieren und dann mit der Reinigung beginnen

# Häufig gestellte Fragen und Lösungen

Problem	Ursache und Lösung
Selbstreinigungsfunktion versagt	<ul style="list-style-type: none"><li>- Bürstenwalze durch große Fremdkörper verstopft, bitte prüfen und reinigen</li><li>- Akkuladung niedrig oder nicht aufgeladen, bitte Gerät nach dem Anschließen an die Ladestation starten, bevor Sie die Selbstreinigung einschalten</li><li>- Abwasserbehälter nicht richtig eingesetzt oder voll, bitte Abwasserbehälter leeren oder korrekt einsetzen</li><li>- Frischwasserbehälter nicht richtig eingesetzt oder unzureichend gefüllt, bitte Frischwasserbehälter erneut einsetzen oder mit ausreichend Wasser befüllen</li></ul>

\* Sollten Fehlercode-Anzeigen auf einen Gerätedefekt hinweisen oder Probleme wie Nicht-Aufladen, Betriebsstopp oder andere unbehebbarere Störungen auftreten, kontaktieren Sie bitte umgehend den JONR Kundendienst: [service@jonrtech.com](mailto:service@jonrtech.com)



# Guida rapida

- A. Posizionare la base di ricarica su un pavimento duro.
- B. Prima dell'uso iniziale, posizionare il dispositivo sulla base di ricarica, collegarlo alla presa di corrente e attendere che si carichi completamente prima di iniziare a utilizzarlo.
- C. Questo prodotto è adatto solo per pavimenti duri. Si prega di riempire il serbatoio dell'acqua pulita con acqua prima di iniziare a utilizzarlo.
- D. Dopo l'autopulizia, svuotare tempestivamente l'acqua sporca per evitare odori sgradevoli.
- E. Pulire regolarmente il rullo e l'apertura di aspirazione, e sostituire il filtro spugna, per evitare intasamenti della macchina e riduzione della potenza di aspirazione.
- F. Utilizzare esclusivamente i detergenti ufficialmente approvati da JONR. È severamente vietato l'uso di detergenti schiumogeni, acqua saponata, profumi e liquidi corrosivi.
- G. In caso di guasto segnalato dall'indicatore di malfunzionamento, incapacità di caricare la batteria, arresto improvviso del dispositivo o altre situazioni non gestibili, contattare tempestivamente il servizio clienti JONR all'indirizzo: [service@jonrtech.com](mailto:service@jonrtech.com)

## Informazioni di sicurezza

### Limitazioni d'uso

- 1. I bambini di età inferiore a 8 anni o le persone con disabilità fisiche, sensoriali o intellettive, o con esperienza e conoscenze limitate, devono utilizzare l'aspirapolvere esclusivamente sotto la supervisione di un genitore o tutore per garantire un funzionamento sicuro ed evitare qualsiasi rischio. Le operazioni di pulizia e manutenzione non devono essere eseguite da bambini senza adeguata supervisione.
- 2. Questo aspirapolvere non è adatto all'uso da parte di persone con ridotte capacità fisiche, sensoriali o mentali, o con mancanza di esperienza e conoscenza (compresi i bambini), a meno che non siano state istruite o supervisionate riguardo all'uso dell'aspirapolvere da una persona responsabile della loro sicurezza.

- 3. La pellicola di plastica utilizzata per l'imballaggio del prodotto può essere pericolosa e deve essere tenuta lontana dalla portata dei bambini per evitare il rischio di soffocamento.
- 4. Utilizzo esclusivamente in ambienti interni. Non utilizzare su tappeti. Adatto per pavimenti duri come vinile, piastrelle e legno verniciato. Evitare di passare sopra oggetti sciolti o bordi di tappetini.
- 5. Non toccare la presa di corrente, l'adattatore di alimentazione o il display con le mani bagnate per evitare il rischio di scosse elettriche.
- 6. Non utilizzare questo prodotto per liquidi infiammabili o altamente volatili e altri liquidi chimicamente pericolosi (come benzina, cherosene, vernici e profumi), o in aree dove potrebbero essere presenti tali liquidi. Potrebbero verificarsi cortocircuiti o esplosioni.
- 7. Non utilizzare questo prodotto per rimuovere sostanze tossiche o nocive (come candeggina al cloro, ammoniaca, disgorganti); per raccogliere oggetti duri o appuntiti (come vetro, chiodi, viti e monete); o per rimuovere fonti di calore non spente, come mozziconi di sigaretta o fiammiferi, per evitare incendi.
- 8. Prima dell'uso, assicurarsi che i capelli, gli indumenti svolazzanti, le dita e qualsiasi parte del corpo di qualsiasi persona siano lontani dalle aperture e dalle parti in movimento di questo prodotto e dei suoi accessori.
- 9. Non ostruire le prese d'aria di aspirazione e di scarico per evitare il surriscaldamento. Non inserire oggetti nell'apertura di aspirazione del prodotto. Rimuovere prontamente polvere, lanugine, capelli o altri detriti, in quanto potrebbero ridurre il flusso d'aria. Mantenere la temperatura ambiente nell'intervallo di 0-40 °C durante la ricarica, lo stoccaggio e il funzionamento del prodotto.
- 10. Fare particolare attenzione durante la pulizia sulle scale per evitare cadute.
- 11. Non immergere la spazzola per pavimenti in acqua per evitare danni al prodotto. Non agitare o urtare violentemente la macchina per evitare che l'acqua di scarico penetri nel motore. Quando si maneggia il prodotto, mantenerlo in posizione verticale per evitare che l'acqua di scarico entri nel motore.
- 12. Non esporre l'aspirapolvere a fiamme libere o temperature eccessivamente elevate. L'esposizione a fiamme libere o temperature eccessivamente elevate potrebbe causare un'esplosione.
- 13. Non utilizzare questo aspirapolvere senza il filtro in cotone.

## Ricarica della batteria

### ⚠️ Avvertenza

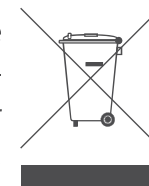
1. Questo prodotto deve essere utilizzato solo con la base di ricarica e l'adattatore di alimentazione forniti in dotazione.
2. Seguire tutte le istruzioni di ricarica e non caricare al di fuori dell'intervallo di temperatura specificato, altrimenti si aumenta il rischio di incendio.
3. Non tirare o sollevare il cavo della base di ricarica e non usare il cavo come maniglia. Evitare di chiudere le porte sul cavo o di farlo passare su bordi o angoli taglienti.
4. Non caricare o posizionare la base vicino a fonti di calore o in aree umide (come termosifoni o bagni).
5. Non utilizzare alcuna batteria non ricaricabile. Il mancato rispetto di questa istruzione potrebbe causare un incendio della batteria agli ioni di litio. La batteria inclusa in questo aspirapolvere deve essere sostituita solo da personale tecnico qualificato o dal servizio post-vendita.
6. Non utilizzare batterie di terze parti, adattatori di alimentazione o basi. Non smontare, riparare o modificare la batteria, l'adattatore di alimentazione o la base.
7. La batteria agli ioni di litio contiene sostanze nocive per l'ambiente. Prima di smaltire l'aspirapolvere, rimuovere la batteria e smaltirla o riciclarla secondo le leggi e i regolamenti locali del paese o della regione di utilizzo.
8. A causa di un'esposizione eccessiva, la batteria potrebbe espellere del liquido. In caso di contatto accidentale, sciacquare con acqua. Se il liquido entra negli occhi, cercare immediatamente assistenza medica, poiché il liquido espulso dalla batteria può causare irritazione o ustioni.
9. Prima di rimuovere la batteria, è necessario scollegare l'aspirapolvere dalla fonte di alimentazione e scaricarla il più possibile. Conservare la batteria in un luogo fuori dalla portata dei bambini. Non esporre la batteria a temperature elevate per evitare esplosioni; non mettere mai la batteria in bocca; se ingerita, contattare il medico o il centro antiveneni locale.

10. Se il prodotto non verrà utilizzato per un lungo periodo, spegnere l'alimentazione e scollegare la base di ricarica. Assicurarsi di ricaricarlo ogni tre mesi per evitare una scarica eccessiva della batteria.

## Informazioni WEEE

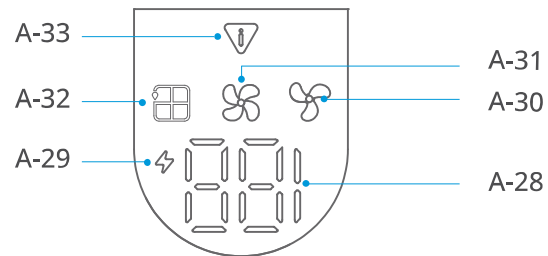
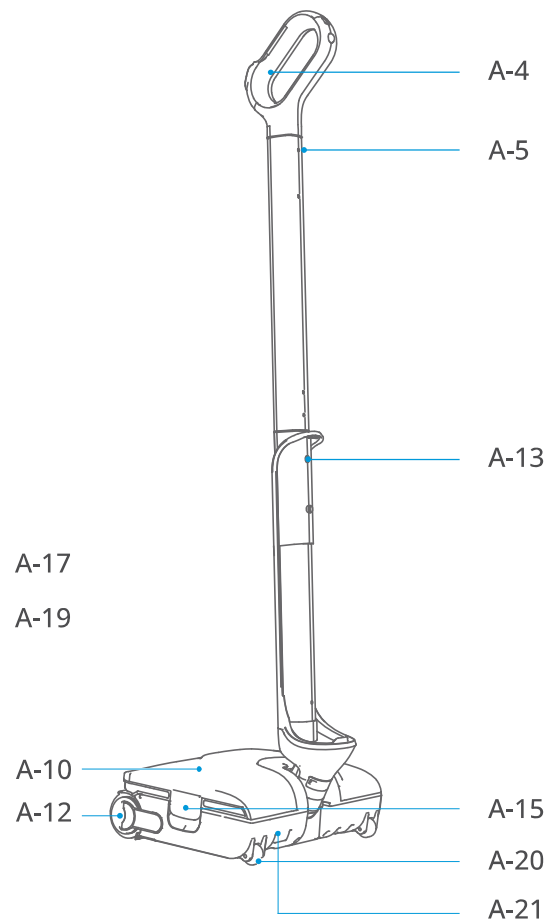
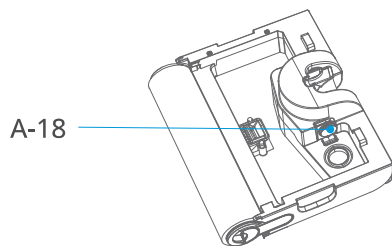
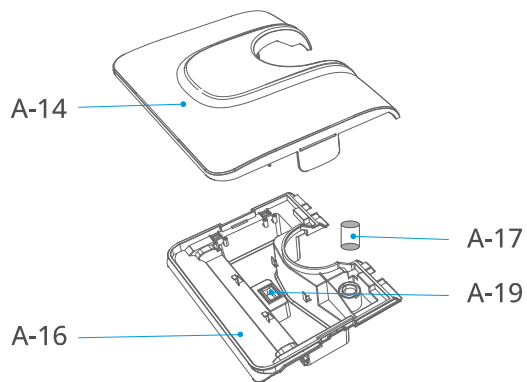
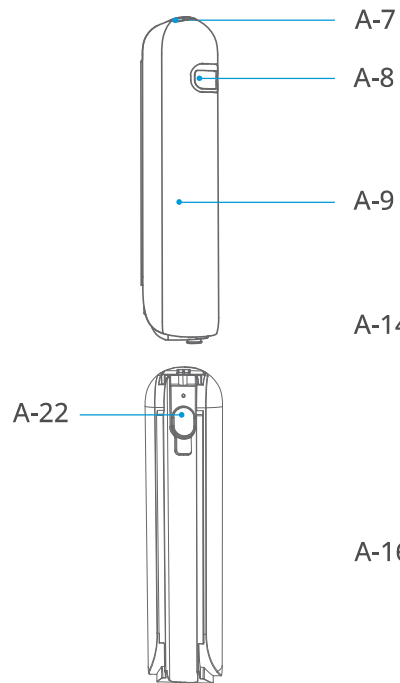
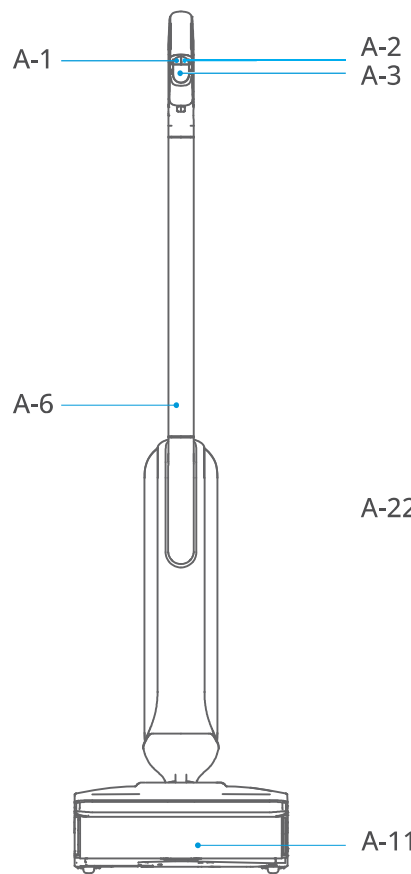
### Smaltimento corretto del prodotto

Questo simbolo indica che il prodotto non deve essere smaltito insieme ai rifiuti domestici indifferenziati nell'intera Unione Europea. Per prevenire possibili danni all'ambiente o alla salute umana derivanti da uno smaltimento incontrollato dei rifiuti, si prega di riciclarlo in modo responsabile per promuovere il riutilizzo sostenibile delle risorse materiali. Per restituire il vecchio aspirapolvere, utilizzare il sistema di ritiro e riciclo o contattare il rivenditore dove è stato acquistato il prodotto. Potranno garantire un riciclo del prodotto sicuro per l'ambiente.

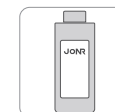


# Introduzione al prodotto

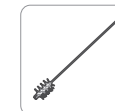
A



A-23



A-24



A-25



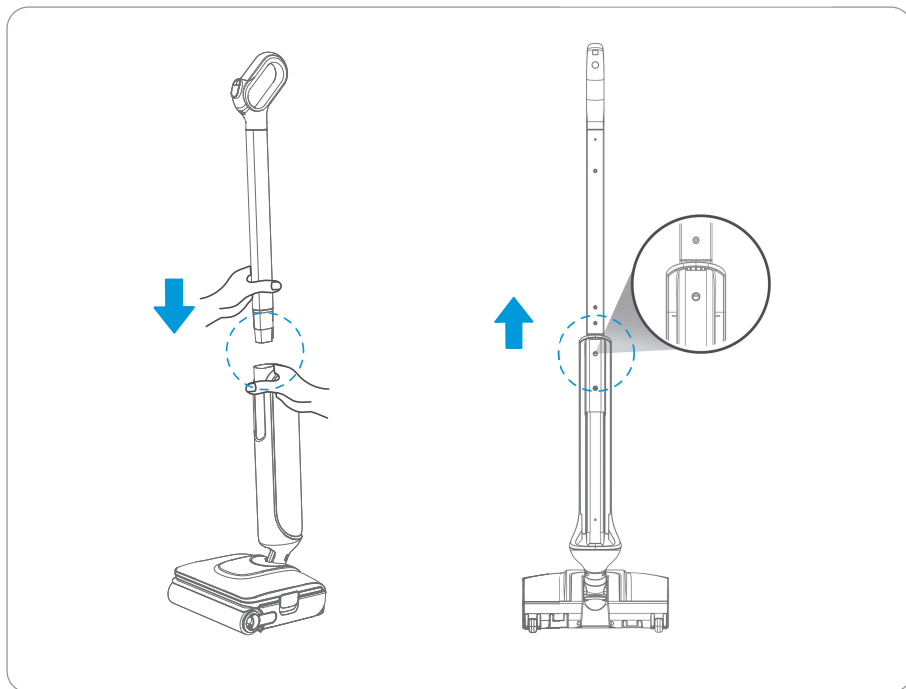
A-26



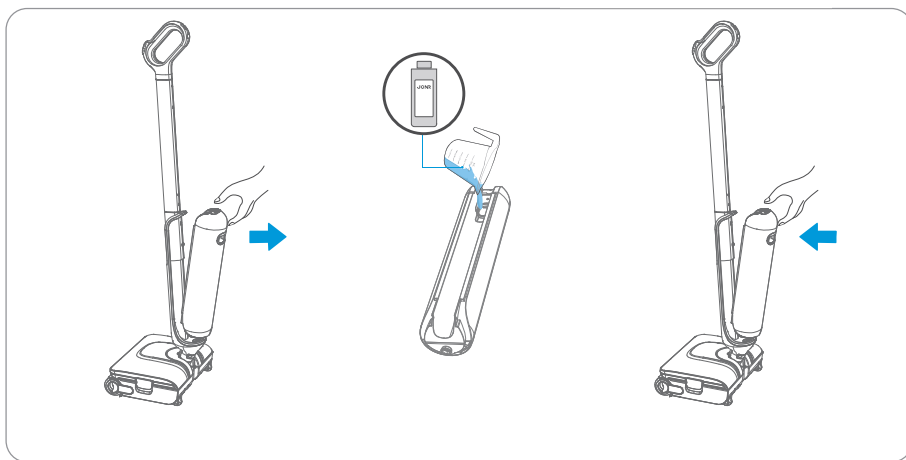
A-27

# Istruzioni di installazione

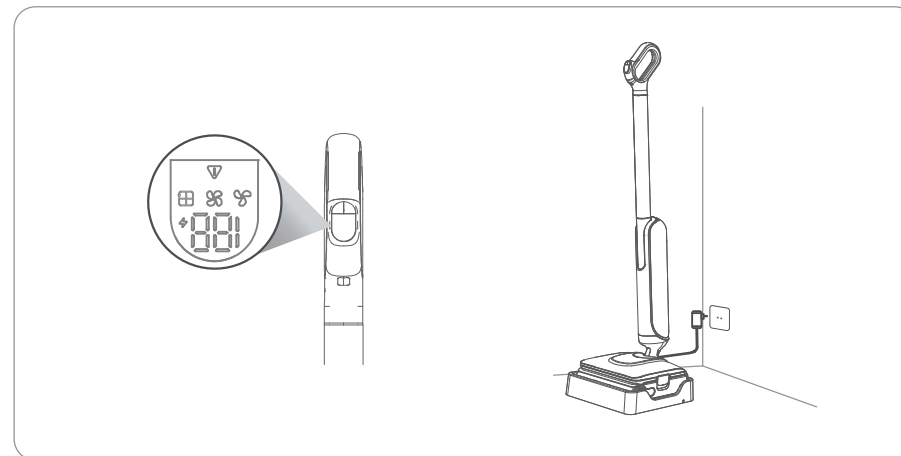
**B**



B1



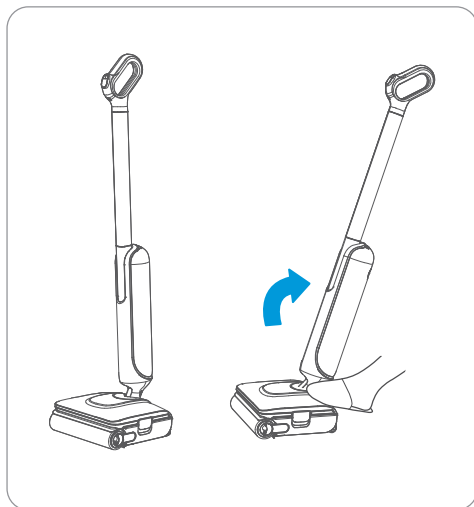
B2



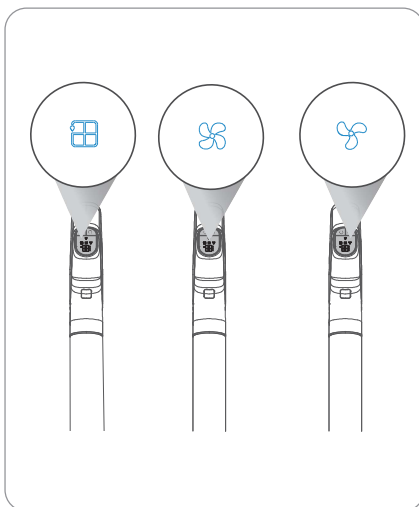
B3

# Come utilizzare

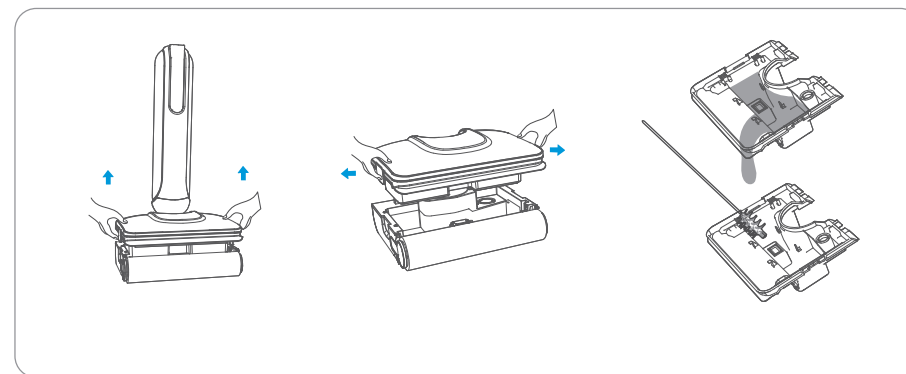
C



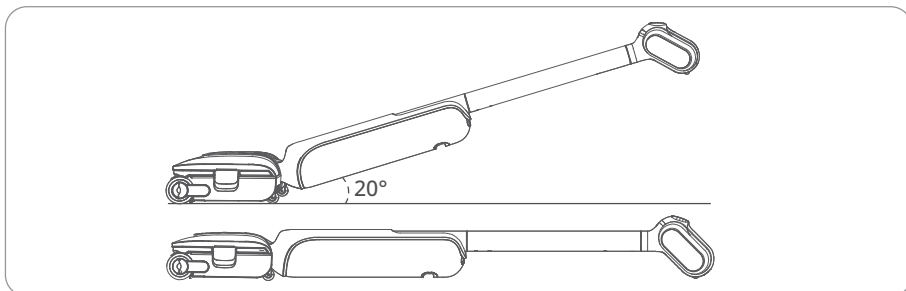
C1



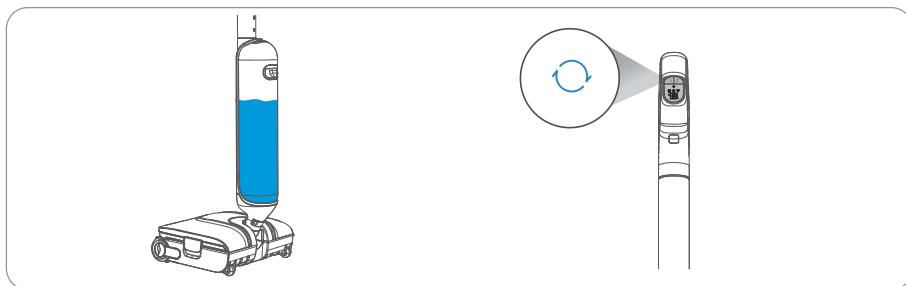
C2



C5



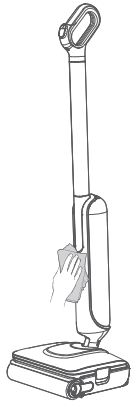
C-3



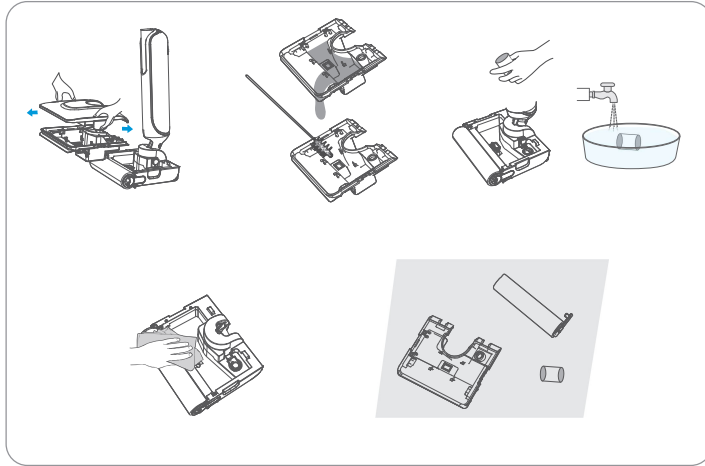
C4

# Manutenzione

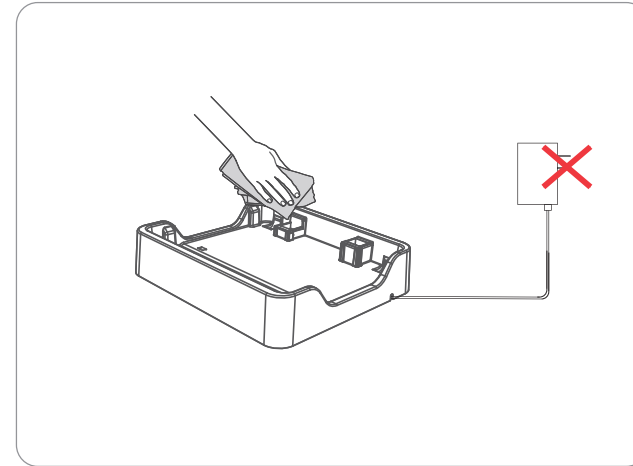
D



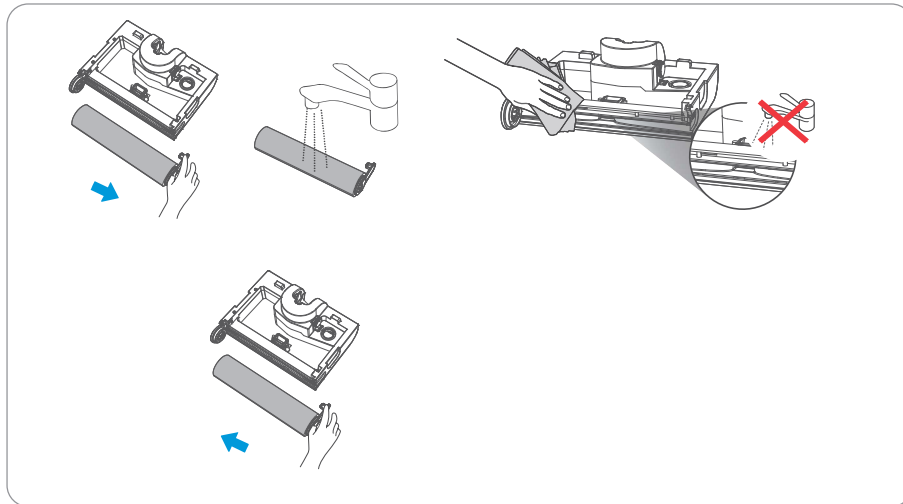
D1



D2



D4



D3

# Introduzione al prodotto

## Aspirapolvere

- “○” - Pulsante modalità (A1)
- “⏻” - Pulsante di accensione/spegnimento (A2)
- Schermo (A3)
- Impugnatura (A4)
- Foro di rilascio maniglia (A5)
- Tubo in alluminio (A6)
- Pulsante di rilascio serbatoio acqua pulita (A7)
- Maniglia per sollevare il serbatoio acqua pulita (A8)
- Serbatoio per acqua pulita (A9)
- Serbatoio per acqua sporca (A10)
- Spazzola rotante (A11)
- Maniglia della spazzola rotante (A12)
- Foro di rilascio tubo in alluminio (A13)
- Coperchio superiore del serbatoio acqua sporca (A14)
- Maniglia del serbatoio acqua sporca (A15)
- Coperchio inferiore del serbatoio acqua sporca (A16)
- Filtro in spugna (A17)
- Copertura presa d'aria della ventola (A18)
- Ingresso acqua sporca (A19)
- Ruota (A20)
- Interfaccia di ricarica (A21)
- Coperchio di tenuta serbatoio acqua pulita (A22)

## Lista imballaggio:

- Base di ricarica (A23)
- Detergente (dipende dal mercato di vendita) (A24)
- Spazzola per manutenzione (A25)
- Manuale utente (A26)
- Adattatore (A27)

## Display:

- Indicatori batteria e codici guasto (A28)
- Spia di ricarica (A29)
- Modalità automatica (A30)
- Modalità potente (A31)
- Modalità di pulizia del bagno (A32)
- Spia indicatrice di guasto durante il funzionamento della macchina (A33)

# Istruzioni di installazione

## Installazione e rimozione del manico (B1)

1. Installazione: inserire l'estremità del manico nel tubo d'alluminio in direzione verticale, quindi inserire il tubo d'alluminio nel corpo principale in direzione verticale fino a sentire un "clic", segno che l'installazione è riuscita.
2. Rimozione: inserire un oggetto lungo e sottile nel foro piccolo sul retro del corpo principale (foro di sblocco tubo alluminio), quindi afferrare saldamente il corpo e tirare verso l'alto il manico.

## Impostazione della lingua dei promemoria vocali (B2)

Quando il dispositivo viene acceso per la prima volta, la funzione vocale è attivata per impostazione predefinita. Con l'host in modalità non di ricarica, premere a lungo il pulsante modalità per 5 secondi per disattivare/attivare la voce; con l'host in modalità di ricarica, premere a lungo il pulsante modalità per 5 secondi per cambiare la lingua vocale, che viene salvata automaticamente dopo il cambio.

## Preparazione del serbatoio acque pulite (B3)

1. Premere le clip di blocco del serbatoio acque pulite mentre si tira indietro il manico del serbatoio per rimuoverlo;
2. Aprire il coperchio di tenuta del serbatoio acque pulite, aggiungere acqua e, opzionalmente, una quantità appropriata di detergente ufficiale JONR;
3. Reinstallare il serbatoio acque pulite nella sua posizione originale. Un "clic" indica che l'installazione è avvenuta con successo.

## Ricarica (B4)

Dopo aver posizionato correttamente l'unità principale sulla base, collegare l'alimentazione. Sentirete un messaggio vocale "Inizio ricarica". Si consiglia di caricare completamente il dispositivo prima del primo utilizzo. La ricarica da 0% a 100% richiede solitamente circa 2,5 ore.

\* Nota: le illustrazioni nel manuale sono schematiche e servono solo come riferimento. A causa di aggiornamenti e miglioramenti del prodotto, l'aspetto reale del prodotto potrebbe differire leggermente dalle illustrazioni schematiche; fare riferimento al prodotto fisico.

# Come utilizzare

## Accensione/spengimento (C1)

Premere delicatamente il coperchio della spazzola e inclinare l'aspirapolvere all'indietro. Premere il pulsante di accensione per attivare l'unità; premere di nuovo per spegnerla. La macchina è dotata di una funzione di pausa in posizione eretta: mentre la macchina è in funzione, premere la spazzola a terra e raddrizzare il manico, dopo 5 secondi la macchina entrerà in stato di standby.

## Cambio modalità di pulizia (C2)

La modalità predefinita all'accensione è automatica. Mentre la lavapavimenti è in funzione sulla superficie, è possibile premere brevemente il tasto modalità per passare alla modalità automatica, alla modalità turbo o alla modalità pulizia bagno, a seconda delle necessità.

## Modalità sdraiata (C3)

Il dispositivo può funzionare in posizione orizzontale a 180°. Quando il dispositivo è inclinato a circa 20° dal pavimento, entra automaticamente in modalità sdraiata, consentendo la pulizia di aree basse.

## Autopulizia (C4)

1. Al termine della pulizia, riporre l'aspirapolvere sulla base e assicurarsi che il serbatoio dell'acqua pulita contenga acqua sufficiente per l'auto-pulizia.
2. Premere brevemente una volta il tasto delle modalità per avviare/interrompere l' autopulizia.

## Pulizia del serbatoio dell'acqua sporca (C5)

1. Afferrare le maniglie del serbatoio dell'acqua sporca con entrambe le mani e sollevare il serbatoio dalla base.
2. Aprire le maniglie laterali del serbatoio dell'acqua sporca verso l'esterno e rimuovere il coperchio superiore del serbatoio.

3. Svuotare l'acqua sporca e pulire il serbatoio con una spazzola di pulizia.
4. Rimontare il serbatoio delle acque reflue e riportarlo sulla base del pennello.

\* Nota: asciugare prima la base dello spazzolone prima di installare il serbatoio dell'acqua sporca.

# Manutenzione

## Pulizia del corpo macchina (D1)

Pulire l'aspirapolvere con un panno morbido e asciutto. Prima della pulizia, rimuovere l'aspirapolvere dalla base di ricarica e spegnerlo.

## Pulizia del serbatoio delle acque reflue, del pannello filtrante e del gruppo spazzola rotante (D2)

1. Rimuovere il serbatoio delle acque reflue dall'unità principale e aprire il coperchio superiore del serbatoio.
2. Svuotare la cisterna delle acque sporche e pulirla con uno spazzolone.
3. Rimuovere il filtro in fibra e sciacquarlo con acqua dopo aver rimosso i residui.
4. Coprire l'ingresso dell'aria del ventilatore con il coperchio e pulire l'apertura di aspirazione dei rifiuti con un panno umido.
5. Asciugare completamente la spazzola pavimenti, la cisterna delle acque sporche e il filtro in fibra prima di riassemblyarli.

## Pulizia dell'unità spazzola rotante (D3)

1. Premere il pulsante di sgancio del coperchio della spazzola, rimuovere la spazzola, rimuovere i peli e i residui rimasti sulla spazzola, tagliare i capelli avvolti sulla spazzola. Se sulla spazzola rimangono ancora macchie ostinate di sporco pesante dopo l'autopulizia, può essere risciacquata e pulita nuovamente con acqua.
2. Pulire l'apertura di aspirazione: Se rimangono residui di sporco nell'apertura di aspirazione (l'apertura esposta dopo aver rimosso il rullo spazzola), pulire con un panno umido. È vietato risciacquare con acqua.

3. Dopo che tutti i componenti si sono asciugati completamente, riassembliarli nella loro posizione corretta.

## Pulizia della base di ricarica (D4)

Staccare la spina di alimentazione della base di ricarica e pulire la superficie della base e i punti di contatto per la ricarica con un panno morbido e asciutto.

\* Nota: Non risciacquare direttamente la base di ricarica con acqua.

È necessario rimuovere il serbatoio dell'acqua sporca prima di poter smontare il rullo spazzola.

Durante la pulizia della parte della spazzola per pavimenti, coprire il coperchio dell'apertura della ventola per evitare danni causati dall'ingresso di acqua nel ventilatore. Aprire il coperchio dell'apertura della ventola dopo aver completato la pulizia.

## Tabella dei parametri

Modello del prodotto	H2
Ingresso nominale per la ricarica	100-240V~ 50-60Hz
Uscita di carica	27V $\approx$ 0.85A
Tempo di ricarica	2.5h
Potenza	100W
Tensione	21.6V
Dimensioni prodotto	280x230x1110mm
Capacità serbatoio acqua pulita	1500ml
Capacità serbatoio acqua sporca	600ml

## Domande frequenti e soluzioni

Problema	Causa e soluzione
Durante l'uso si avverte un odore sgradevole	- Pulire il serbatoio dell'acqua sporca, il panno filtrante e il rullo
Il rullo a spazzola non gira	<ul style="list-style-type: none"> <li>- Bloccato da capelli o altri corpi estranei, si prega di pulire</li> <li>- Il serbatoio dell'acqua sporca è pieno, si prega di svuotare il serbatoio</li> <li>- Batteria scarica, si prega di caricare</li> <li>- L'apertura di ingresso dello sporco è ostruita da corpi estranei, si prega di pulire</li> </ul>
Durante la pulizia si produce molta schiuma	<ul style="list-style-type: none"> <li>- Non aggiungere al serbatoio dell'acqua pulita detersivi non raccomandati da JONR</li> <li>- La presenza di schiuma nel serbatoio dell' acqua sporca può causare l' arresto dell' apparecchio. Smontare il rullo e il serbatoio dell' acqua sporca per rimuovere la soluzione schiumogena. Questo prodotto supporta esclusivamente l' uso di detersivi JONR specifici.</li> </ul>
Non si carica quando è sulla base di ricarica	<ul style="list-style-type: none"> <li>- Pulire i terminali di ricarica sulla base e i punti di contatto di ricarica sul corpo della macchina.</li> <li>- Assicurarsi che l'alimentazione sia collegata correttamente e che il corpo della macchina sia posizionato correttamente.</li> </ul>
L'aspirapolvere non funziona	<ul style="list-style-type: none"> <li>- Non è carica o ha una bassa carica. Caricare completamente l'aspirapolvere prima dell'uso</li> <li>- Ostruzione da corpi estranei o protezione da surriscaldamento attivata. Rimuovere i corpi estranei e posizionare la macchina a temperatura ambiente</li> <li>- Il serbatoio dell'acqua sporca è pieno. Svuotare il serbatoio</li> <li>- Gli accessori non sono installati correttamente. Assicurarsi che tutti gli accessori siano installati correttamente</li> </ul>
L'aspirapolvere si carica lentamente	- La temperatura della batteria è troppo alta o troppo bassa. Attendere che raggiunga la temperatura ambiente
Scarsa potenza di aspirazione dell'aspirapolvere	<ul style="list-style-type: none"> <li>- Il rullo spazzola è intasato da capelli o corpi estranei, si prega di pulire il rullo spazzola</li> <li>- Il filtro in feltro è intasato. Pulire il filtro in feltro</li> <li>- Il tubo di aspirazione o l'imboccatura di aspirazione sono ostruiti, si prega di pulirli</li> <li>- Il rullo spazzola o il secchio dell'acqua sporca non sono installati correttamente, si prega di reinstallarli</li> </ul>
Il motore emette rumori anomali	<ul style="list-style-type: none"> <li>- Il serbatoio delle acque reflue è pieno, si prega di svuotarlo</li> <li>- L'imboccatura di aspirazione è ostruita, si prega di pulirla</li> <li>- Il serbatoio dell'acqua pulita è vuoto o non installato correttamente, si prega di riempirlo e reinstallare il serbatoio dell'acqua pulita</li> </ul>
L'aspirapolvere non eroga acqua	- Serbatoio acqua pulita non posizionato correttamente, installare prima di iniziare la pulizia

## Domande frequenti e soluzioni

Problema	Causa e soluzione
Funzione autopulente fallita	<ul style="list-style-type: none"><li>- Spazzola rotante ostruita da grandi corpi estranei, verificare e pulire</li><li>- Batteria scarica o non in carica, assicurarsi che il dispositivo sia in carica sulla base prima di avviare l'autopulizia</li><li>- Serbatoio acqua sporca non installato correttamente o pieno, svuotare o riposizionare il serbatoio</li><li>- Serbatoio acqua pulita non installato correttamente o livello acqua insufficiente, reinstallare o riempire con acqua pulita</li></ul>

\* In caso di codice errore, spie guasti, impossibilità di ricarica, arresto improvviso o altri problemi non risolvibili, contattare l'assistenza JONR: [service@jonrtech.com](mailto:service@jonrtech.com)

# Snelle handleiding

- A. Plaats het laaddock op een vaste vloer.
- B. Plaats de machine voor het eerste gebruik op het laaddock, sluit de stroom aan en gebruik hem pas nadat hij volledig is opgeladen.
- C. Dit product is alleen geschikt voor vaste vloeren, vul de watertank met water voordat u begint met gebruik.
- D. Giet na het zelfreinigingsproces het vuile water tijdig weg om onaangename geuren te voorkomen.
- E. Maak regelmatig de borstelroller en de zuigopening schoon, en vervang het sponzefilter om verstoppingen en verminderde zuigkracht te voorkomen.
- F. Gebruik alleen door JONR officieel aanbevolen reinigingsmiddelen. Het gebruik van schuimvormende reinigingsmiddelen, zeepwater, parfum en corrosieve vloeistoffen is ten strengste verboden.
- G. Bij problemen zoals een foutindicatielampje dat een machinefout aangeeft, onvermogen om op te laden of een machine die stopt met werken, neem dan onmiddellijk contact op met de JONR-klantenservice: [service@jonrtech.com](mailto:service@jonrtech.com).

## Veiligheidsinformatie

### Gebruiksbeperkingen

1. Personen jonger dan 8 jaar of personen met fysieke, zintuiglijke of verstandelijke beperkingen, of met beperkte ervaring of kennis, moeten het apparaat onder toezicht van een ouder of voogd gebruiken om veilige bediening en het vermijden van risico's te waarborgen. Reinigen en onderhoud mogen niet door kinderen zonder toezicht worden uitgevoerd.
2. Dit apparaat is niet geschikt voor gebruik door personen met verminderde fysieke, zintuiglijke of mentale vaardigheden, of gebrek aan ervaring en kennis (inclusief kinderen), tenzij zij onder toezicht staan van of instructies hebben ontvangen van een persoon die verantwoordelijk is voor hun veiligheid over het gebruik van het apparaat.

3. Het plastic folie gebruikt voor de productverpakking kan gevaarlijk zijn en moet buiten het bereik van kinderen worden gehouden om verstikkingsgevaar te voorkomen.
4. Alleen voor binnenshuis gebruik; niet gebruiken op tapijt. Geschikt voor harde vloeren zoals vinyl, tegels en geveerd hout. Zorg ervoor dat u niet over losse voorwerpen of de randen van vloerkleden rijdt.
5. Raak het stopcontact, de voedingsadapter of het display niet aan met natte handen om het risico op elektrische schok te vermijden.
6. Gebruik dit product niet voor ontvlambare of zeer vluchtige vloeistoffen en andere chemisch gevaarlijke vloeistoffen (zoals benzine, kerosine, verf en parfum), of in gebieden waar ontvlambare of brandbare vloeistoffen aanwezig kunnen zijn. Anders kan kortsluiting of een explosie optreden.
7. Gebruik dit product niet om giftige of schadelijke stoffen (chloorbleekmiddel, ammoniak, gootsteenreinigers) te verwijderen; of om harde of scherpe voorwerpen (zoals glas, spijkers, schroeven en munten) op te zuigen; of om niet-gedoofde warmtebronnen zoals sigarettenpeuken en lucifers te verwijderen, om brand te voorkomen.
8. Zorg ervoor dat het haar, losse kleding, vingers en lichaamsdelen van iedereen uit de buurt blijven van de openingen en bewegende delen van dit product en de bijbehorende accessoires.
9. Blokkeer de inlaat- en uitlaatopeningen niet om oververhitting te voorkomen. Plaats geen voorwerpen in de zuiging van het product. Verwijder stof, pluisjes, haar of andere materialen tijdig, omdat deze de luchtstroom kunnen verminderen. Houd de omgevingstemperatuur tussen 0-40°C bij het opladen, opbergen en gebruiken van het product.
10. Wees extra voorzichtig bij het schoonmaken op trappen om vallen te voorkomen.
11. Dompel de vloerborstel niet onder in water om schade aan het product te voorkomen. Schud of stoot de machine niet hard om te voorkomen dat afvalwater in de motor stroomt. Houd het product rechtop bij het hanteren om te voorkomen dat afvalwater in de motor komt.
12. Stel de stofzuiger niet bloot aan hittebronnen of te hoge temperaturen. Blootstelling aan hittebronnen of te hoge temperaturen kan leiden tot explosies.
13. Gebruik de stofzuiger niet zonder filterwatten.

## Batterij opladen

### ⚠️ Waarschuwing

1. Dit product mag alleen worden gebruikt met de meegeleverde laadstation en voeding.
2. Volg alle laadinstructies op en laad niet buiten het opgegeven temperatuurbereik, anders neemt het brandrisico toe.
3. Trek niet aan of til de kabel van het laadstation op en gebruik de kabel niet als handvat. Vermijd het dichtknijpen van de kabel in een deur of het over scherpe randen of hoeken trekken van de kabel.
4. Laad niet of plaats het basisstation niet in de buurt van warmtebronnen of vochtige gebieden (zoals radiatoren of badkamers).
5. Gebruik geen niet-ophaalbare batterijpakketten. Niet-naleving kan leiden tot brand in de lithium-ion batterij. De batterij in deze stofzuiger mag alleen worden vervangen door gekwalificeerd personeel of de klantenservice.
6. Gebruik geen batterijen, voedingen of basisstations van derden. Demonteer, repareer of wijzig de batterij, voeding of het basisstation niet.
7. Lithium-ion batterijpakketten bevatten stoffen die schadelijk zijn voor het milieu. Verwijder het batterijpakket alvorens de stofzuiger weg te gooien, en gooi het weg of recycle het volgens de lokale wetten en voorschriften van het land of de regio waar u zich bevindt.
8. De batterij kan vloeistof lekken als gevolg van overmatige blootstelling. Spoel bij onbedoeld contact met water af. Als vloeistof in de ogen komt, zoek onmiddellijk medische hulp, omdat de geleiakte vloeistof uit de batterij irritatie of brandwonden kan veroorzaken.
9. Voordat de batterij wordt verwijderd, moet de stofzuiger van de stroom worden losgekoppeld en zo mogelijk worden ontladen. Bewaar de batterij buiten bereik van kinderen. Stel de batterij niet bloot aan hoge temperaturen om explosiegevaar te voorkomen, stop de batterij nooit in uw mond, en neem bij inslikken contact op met uw arts of het plaatselijke antigifcentrum.

10. Als het product lange tijd niet wordt gebruikt, schakel het dan uit en trek de stekker van het laadstation uit het stopcontact. Zorg ervoor dat u de batterij elke drie maanden oplaadt om overmatige ontlading te voorkomen.

## WEEE Informatie

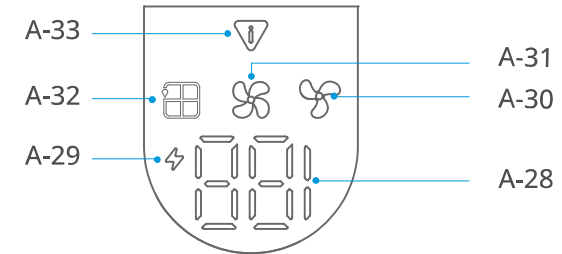
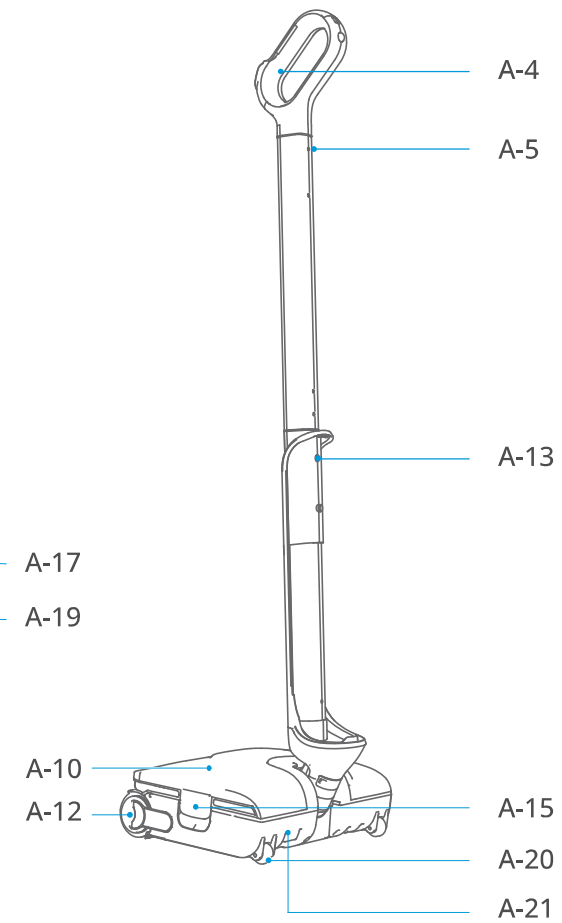
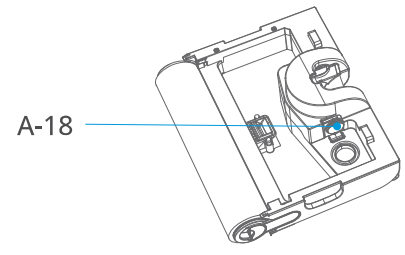
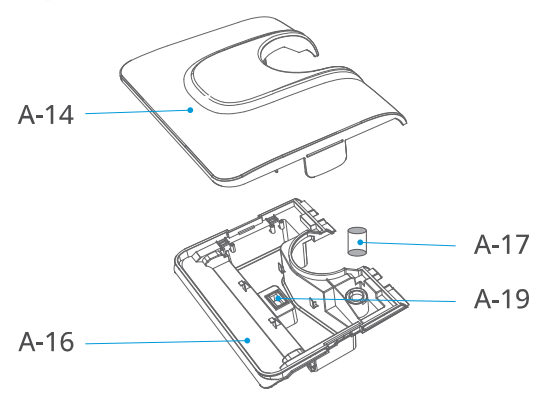
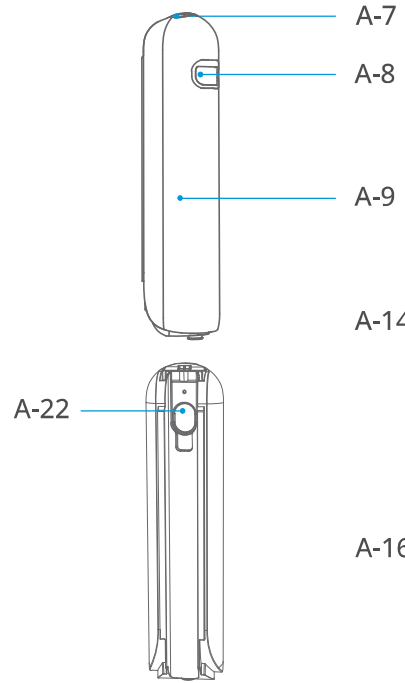
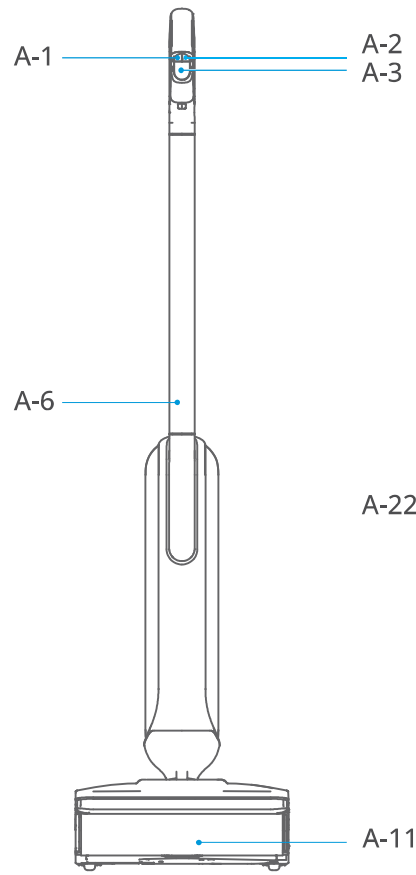
### Dit product correct afvoeren

Dit symbool geeft aan dat dit product in de hele Europese Unie niet met het gewone huishoudelijk afval mag worden weggegooid. Om mogelijke schade voor het milieu of de menselijke gezondheid door ongecontroleerde afvalverwerking te voorkomen, dient u het product verantwoord te recyclen om het duurzame hergebruik van materiële bronnen te bevorderen. Om uw oude stofzuiger in te leveren, kunt u gebruikmaken van het retoursysteem voor recycling of contact opnemen met de detailhandelaar bij wie u het product heeft gekocht. Zij kunnen zorgen voor een milieuvriendelijke recycling van dit product.



# Productin productie

A



A-23



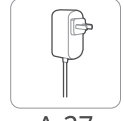
A-24



A-25



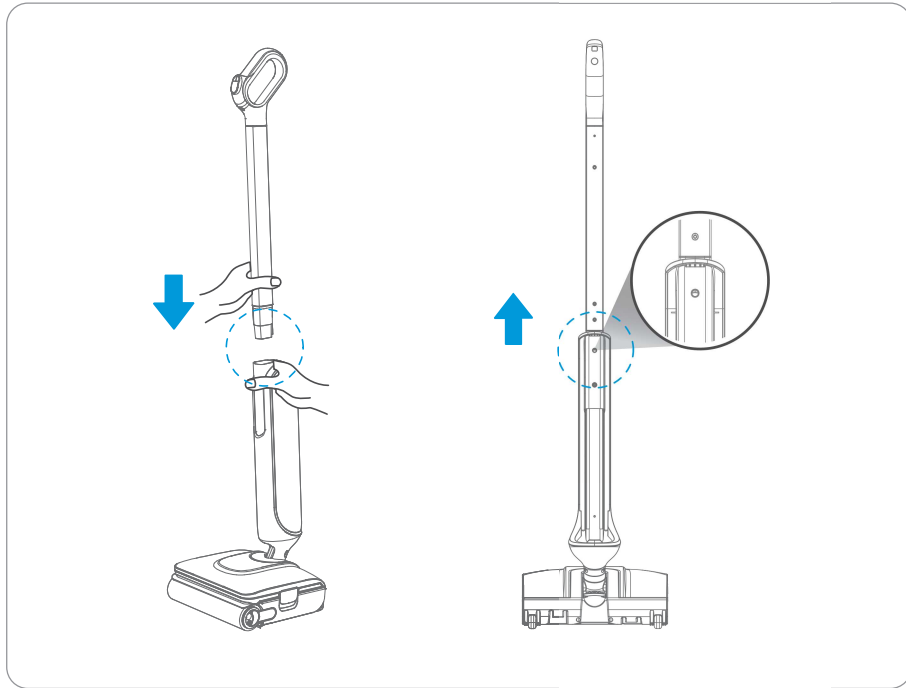
A-26



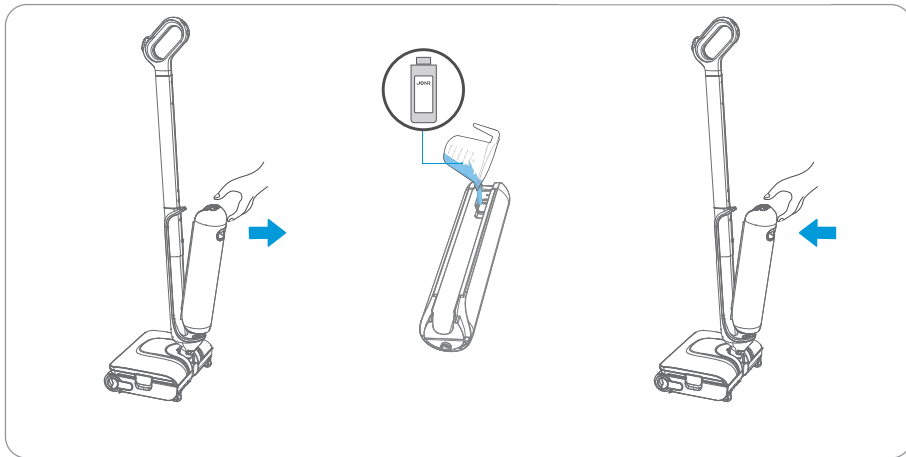
A-27

# Installatie-instructies

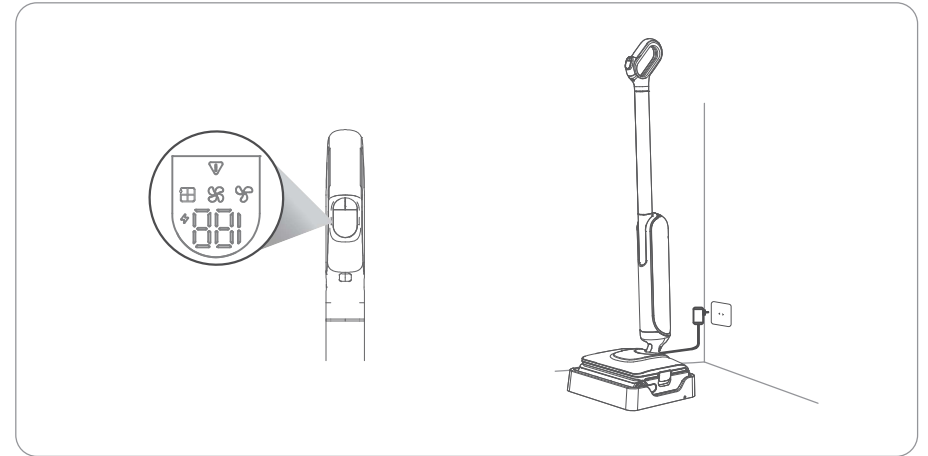
B



B1



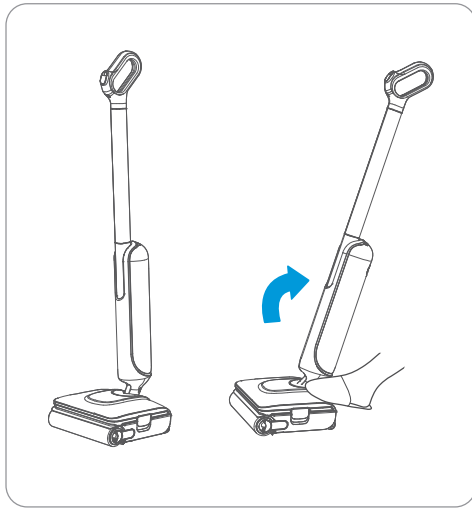
B2



B3

# Hoe te gebruiken

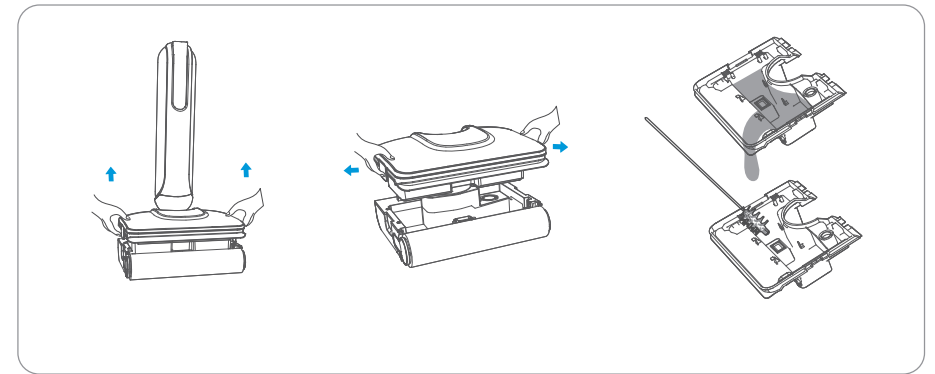
C



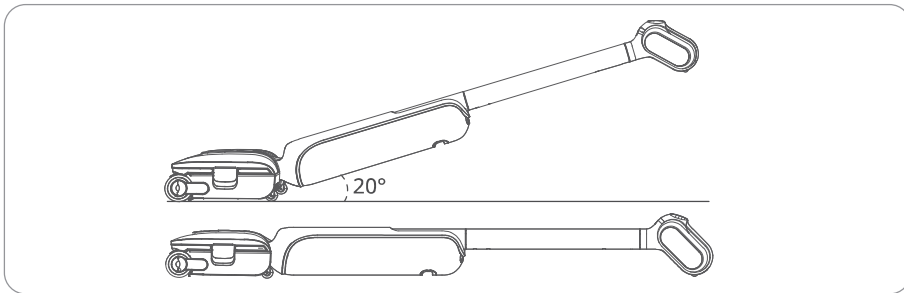
C1



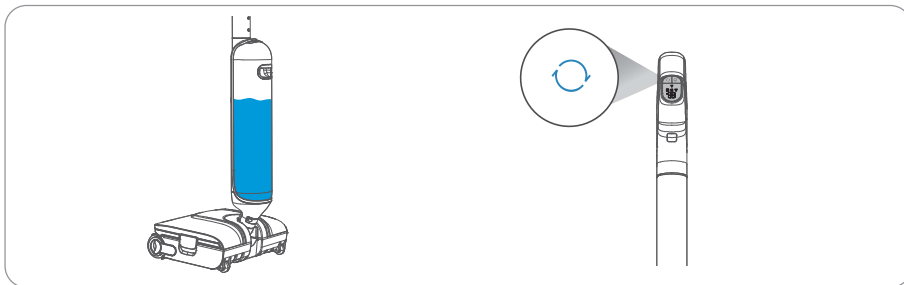
C2



C5



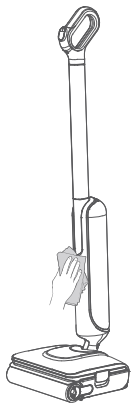
C-3



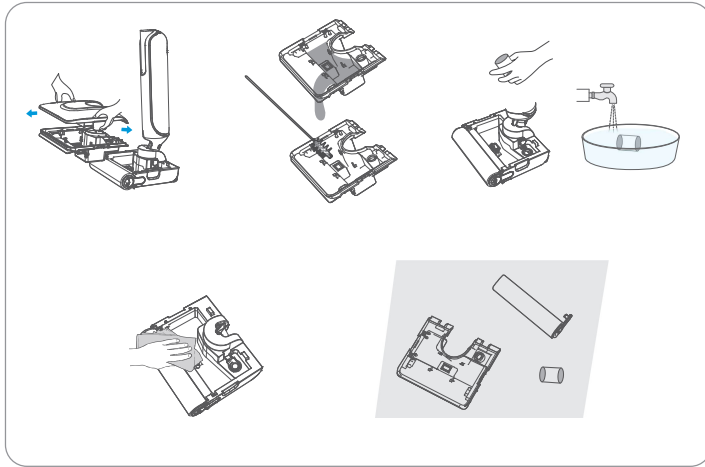
C4

# Onderhoud

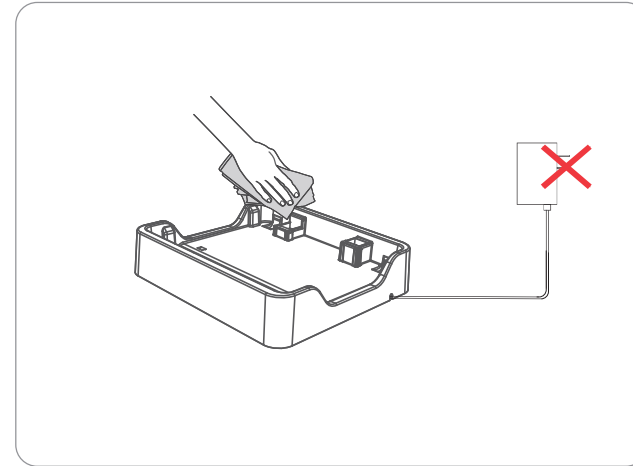
D



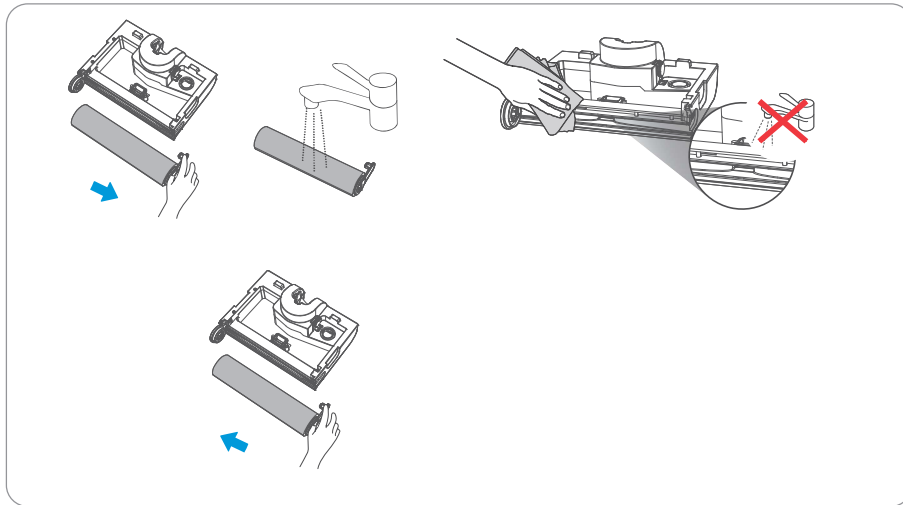
D1



D2



D4



D3

# Productin productie

## Stofzuiger

- “○” - Modusknop (A1)
- “⏻” - Aan/uit-knop (A2)
- Scherm (A3)
- Handvat (A4)
- Handvat vrijgave opening (A5)
- Aluminium buis (A6)
- Schone watertank vrijgave knop (A7)
- Schone watertank handgreep (A8)
- Schone watertank reservoir (A9)
- Vuile watertank reservoir (A10)
- Borstelrol (A11)
- Borstelrol handgreep (A12)
- Aluminium buis vrijgave opening (A13)
- Vuile watertank deksel (A14)
- Greep van de vuilwatertank (A15)
- Onderdeksel van de vuilwatertank (A16)
- Filterwatten (A17)
- Kap voor ventilatorinlaat (A18)
- Vuilwaterinlaat (A19)
- Loopwiel (A20)
- Oplaadpoort (A21)
- Afdichtingsdeksel voor schoonwatertank (A22)

## Verpakkingslijst:

- Oplaadstation (A23)
- Reinigingsvloeistof (afhankelijk van verkoopmarkt) (A24)
- Onderhoudsborstel (A25)
- Gebruikershandleiding (A26)
- Adapter (A27)

## Display:

- Batterij- en foutcode indicatielampjes (A28)
- Oplaadindicatielampje (A29)
- Automatische modus (A30)
- Krachtmodus (A31)
- Badkamerschoonmaakmodus (A32)
- Machinefout indicatielampje (A33)

# Installatie-instructies

## Handvat monteren en demonteren (B1)

1. Monteren: Steek het uiteinde van het handvat loodrecht in de aluminium buis, steek vervolgens de aluminium buis loodrecht in het hoofdgedeelte tot u een ‘klik’ hoort. Dit geeft aan dat de montage succesvol is.
2. Demonteren: Steek een lang, dun en stevig voorwerp in het kleine gaatje aan de achterkant van het apparaat (het aluminiumbuis-ontgrendelingsgat), pak het hoofdgedeelte stevig vast en trek het handvat omhoog om het te verwijderen.

## Taal instellen voor spraakherinneringen (B2)

Wanneer het apparaat voor het eerst wordt ingeschakeld, is de spraakfunctie standaard ingeschakeld. Wanneer het hoofdapparaat niet wordt opgeladen, kan de spraakfunctie worden in-/uitgeschakeld door 5 seconden op de modusknop te drukken; wanneer het hoofdapparaat wordt opgeladen, kan de spraaktalen worden gewisseld door 5 seconden op de modusknop te drukken. Na het wisselen wordt de instelling automatisch opgeslagen.

## Schoonwatertank voorbereiden (B3)

1. Druk op de vergrendeling van de schoonwatertank en trek tegelijkertijd aan het handvat naar achteren om de tank te verwijderen;
2. Open de afdichtingsdop van de schoonwatertank, vul deze met schoon water en voeg eventueel een passende hoeveelheid JONR officiële schoonmaakvloeistof toe;
3. Plaats de schoonwatertank terug op zijn plaats. Een klikgeluid geeft aan dat de installatie succesvol is.

## Opladen (B4)

Nadat het hoofdapparaat correct in de basis is geplaatst, sluit u de stekker aan op het stopcontact. U hoort dan de spraakmelding "Opladen begonnen". Het wordt aanbevolen om het apparaat volledig op te laden voordat u het voor het eerst gebruikt. Het opladen van 0% naar 100% duurt doorgaans ongeveer 2,5 uur.

\* Let op: alle afbeeldingen van producten en accessoires in deze handleiding zijn schematisch en alleen bedoeld ter referentie. Vanwege productupdates en -verbeteringen kan het fysieke product enigszins afwijken van de illustraties. Het fysieke product heeft de juiste specificaties.

# Hoe te gebruiken

## Aan/Uit (C1)

Stap voorzichtig op het borsteldeksel en kantel de stofzuiger naar achteren. Druk op de aan/uit-knop om de machine aan te zetten; druk nogmaals om uit te schakelen. De machine heeft een rechtopstaande pauzefunctie. Wanneer de machine in werking is, stap op de grondborstel en zet de handgreep rechtop. Na 5 seconden gaat de machine in de stand-bymodus.

## Wijzig schoonmaakmodus (C2)

Standaard staat de wasmachine bij het inschakelen in de automatische modus. Wanneer de vloerreiniger op de grond werkt, kunt u door kort op de modusknop te drukken naar de automatische modus, krachtige modus en badkamerreinigingsmodus schakelen, afhankelijk van uw behoeften.

## Liggende modus (C3)

Het apparaat kan werken in een volledig liggende positie van 180°. Wanneer het apparaat wordt gekanteld tot ongeveer 20° van de grond, gaat het automatisch in de liggende modus, waardoor laaggelegen gebieden kunnen worden gereinigd.

## Zelfreiniging (C4)

1. Na het reinigen, plaats de stofzuiger terug op het dockingstation en zorg ervoor dat het waterniveau in de schoonwatertank voldoende is voor de zelfreinigingscyclus.
2. Druk kort één keer op de modusknop om de zelfreiniging te starten/pauzeren.

## Vuile watertank schoonmaken (C5)

1. Pak met beide handen de handgrepen van de vuilwatertank vast en til de tank omhoog uit de basis.
2. Duw de handgrepen aan beide zijden van de vuilwatertank naar buiten om het deksel van de tank te verwijderen.

3. Giet het vuile water leeg en maak de vuilwatertank schoon met de reinigingsborstel.
4. Opmerking: Maak het basisstation van de bodemborstel eerst droog voordat u de vuilwatertank installeert.

\* Let op: Droog eerst de basis van de vloerborstel af voordat u de vuilwatertank weer plaatst.

# Onderhoud

## Apparaatbehuizing reinigen (D1)

Veeg en reinig de stofzuiger met een zachte, droge doek. Haal de stofzuiger voor het reinigen van het laadstation en schakel hem uit.

## De vuilwatertank, het filterkussen en de rollenborstel schoonmaken (D2)

1. Verwijder de vuilwatertank van het hoofdapparaat en open het deksel van de vuilwatertank.
2. Giet het vuile water eruit en maak de vuilwatertank schoon met een reinigingsborstel.
3. Verwijder het filterwatten en verwijder het afval van het filterwatten en spoel het af met water.
4. Dek de luchtaanzuigopening van de ventilator af met het afdekklepje en veeg de vuilinzamelopening af met een vochtige doek.
5. Laat de grondborstelonderdelen, de vuilwatertank en het filterwatten drogen en monteer ze daarna weer op hun plaats.

## Reinig de rolborstelmodule (D3)

1. Druk op de ontgrendelknop van het rolborsteldeksel, verwijder de rolborstel, verwijder achtergebleven haren en vuil van de rolborstel, knip haar dat om de rolborstel gewikkeld zit door, en als er na het zelfreinigingsproces nog steeds zware, hardnekkige vlekken op de rolborstel zitten, kunt u deze opnieuw met water spoelen en reinigen.

2. Maak de vuilopening schoon: Als er nog resten van vlekken op de vuilopening zitten (de opening die zichtbaar is na het verwijderen van de rolborstel), veeg deze dan af met een vochtige doek. Het is verboden om water te gebruiken om af te spoelen.

3. Wanneer alle onderdelen zijn opgedroogd, installeer ze dan weer op hun plaats.

## Oplaadstation schoonmaken (D4)

Trek de stekker van het oplaadstation uit het stopcontact en veeg het oppervlak van het oplaadstation en de oplaadcontacten af met een zachte, droge doek.

\*Let op: Spoel het oplaadstation niet direct af met water.

Je moet eerst de afvalwatertank verwijderen voordat je de rolborstel kunt demonteren. Plaats tijdens het reinigen van de vloerborstelsectie een deksel over de ventilatoropening om te voorkomen dat er water in de ventilator komt en schade veroorzaakt. Verwijder het deksel van de ventilatoropening nadat het reinigen is voltooid.

## Specificatietabel

Modelnummer	H2
Nominale oplaadvoer	100-240V~ 50-60Hz
Laaduitgang	27V $\approx$ 0.85A
Oplaadtijd	ongeveer 2,5 uur
Vermogen	100W
Spanning	21.6V
Productafmetingen	280x230x1110mm
Capaciteit watertank: 1500 ml	1500ml
Capaciteit vuilwatertank	600ml

## Veelgestelde vragen en oplossingen

Probleem	Oorzaak en oplossing
Er ontstaat een onaangename geur tijdens het gebruik	- Maak de vuilwatertank, het filtermateriaal en de rollerborstel schoon
De rolborstel draait niet	- Zit vast door haar of ander vreemd materiaal, maak dit dan schoon - De vuilwatertank is vol, maak de vuilwatertank leeg - Laag batterijniveau, laad de batterij op - Er zit een obstructie in de vuilopening, maak dit dan schoon
Er ontstaat veel schuim tijdens het reinigen	- Voeg geen schoonmaakmiddel toe aan de schoonwatertank dat niet door JONR wordt aanbevolen - Nadat schuim de afvalwatertank vult, zal het apparaat stoppen; verwijder de borstelrol en de afvalwatertank om het schuimmiddel schoon te maken. Dit product ondersteunt alleen het gebruik van het speciale JONR reinigingsmiddel
Laadt niet op wanneer deze op het oplaadstation staat	- Maak de oplaadpunten op het oplaadstation en de oplaadaansluitingen op het apparaat schoon - Zorg ervoor dat de stroom correct is aangesloten en dat het apparaat correct is geplaatst
De stofzuiger werkt niet	- Niet opgeladen of lage batterij, laad de stofzuiger volledig op voor gebruik - Vreemde voorwerpen blokkeren de start, oververhittingsbescherming ingeschakeld, verwijder de vreemde voorwerpen en plaats het apparaat op kamertemperatuur - De vuilwatertank is vol, leeg de vuilwatertank - Onderdelen zijn niet goed gemonteerd, monteer alle onderdelen correct
De stofzuiger laadt langzaam op	- Batterijtemperatuur is te hoog of te laag, wacht tot deze kamertemperatuur heeft bereikt
De zuigkracht van de stofzuiger is zwak	- De rollenborstel zit verstrikt in haar of vreemd voorwerp, maak de rollenborstel schoon - Filterwat is verstopt, maak het filterwat schoon - De zuigslang of zuigmond is verstopt, maak deze schoon - Rollerborstel of vuilwatertank niet goed geplaatst, opnieuw plaatsen
De motor maakt vreemd geluid	- De vuilwatertank is vol, maak deze leeg - De zuigmond is verstopt, maak deze schoon - De schoonwatertank is leeg of niet correct geïnstalleerd, vul de tank en installeer hem opnieuw
De stofzuiger geeft geen water af	- Het schonewaterreservoir is niet correct geplaatst, plaats het correct voordat u begint met reinigen

# Veelgestelde vragen en oplossingen

Probleem	Oorzaak en oplossing
Zelfreinigingsfunctie mislukt	<ul style="list-style-type: none"><li>- De rollerborstel is geblokkeerd door groot vuil, controleer en maak schoon</li><li>- Laag batterijniveau of niet opgeladen, zorg dat het apparaat op het dock wordt opgeladen voordat u zelfreiniging start</li><li>- Het vuilwaterreservoir is niet correct geplaatst of is vol, leeg het reservoir of plaats het correct</li><li>- Het schonewaterreservoir is niet correct geplaatst of bevat onvoldoende water, plaats het reservoir opnieuw of vul het met voldoende schoon water</li></ul>

\* Als de foutcode-indicator een apparaatstoring toont of als u problemen ondervindt zoals geen oplading, apparaat stopt met werken, enz. die u niet kunt oplossen, neem dan contact op met JONR-klantenservice: [service@jonrtech.com](mailto:service@jonrtech.com)

# Przewodnik szybkiego startu

- A. Umieść stację dokującą na twardej podłodze.
- B. Przed pierwszym użyciem umieść urządzenie na stacji dokującej i podłącz je do zasilania do momentu pełnego naładowania, a następnie rozpocznij używanie.
- C. Produkt przeznaczony jest wyłącznie do twardych podłóg. Napełnij zbiornik na czystą wodą przed rozpoczęciem używania.
- D. Po samooczyszczeniu natychmiast opróżnij zbiornik na brudną wodę, aby uniknąć nieprzyjemnych zapachów.
- E. Regularnie czyść wałek zmiatający i wlot do odkurzacza, a także wymieniaj filtr gąbkowy, aby uniknąć zatykania urządzenia i utraty mocy ssania.
- F. Używaj wyłącznie środków czyszczących zalecanych przez JONR. Zabronione jest używanie środków czyszczących pieniących się, wody z mydłem, perfum ani płynów żrących.
- G. W przypadku awarii wskaźnika, braku możliwości ładowania, zatrzymania pracy urządzenia lub innych sytuacji niewymagających obsługi przez użytkownika, skontaktuj się z działem obsługi posprzedażnej firmy JONR: [service@jonrtech.com](mailto:service@jonrtech.com)

## Informacje o bezpieczeństwie

### Ograniczenia użytkowania

- 1. Dzieci w wieku poniżej 8 lat oraz osoby z ograniczonymi zdolnościami fizycznymi, sensorycznymi, umysłowymi, doświadczeniem lub wiedzą powinny korzystać z tego odkurzacza wyłącznie pod nadzorem rodziców lub opiekunów, aby zapewnić bezpieczną obsługę i uniknąć wszelkich zagrożeń. Czyszczenie i konserwacja nie mogą być wykonywane przez dzieci bez nadzoru.
- 2. Tego odkurzacza nie należy używać osobom o ograniczonej sprawności fizycznej, sensorycznej lub umysłowej oraz osobom z niewystarczającym doświadczeniem lub wiedzą (w tym dzieciom), chyba że korzystają one z urządzenia pod nadzorem osoby odpowiedzialnej za ich bezpieczeństwo lub po otrzymaniu od niej instrukcji dotyczących obsługi.

- 3. Folia z tworzywa sztucznego używana do pakowania produktu może stanowić zagrożenie i musi być trzymana z dala od dzieci, aby uniknąć ryzyka uduszenia.
- 4. Do użytku wyłącznie wewnętrznego; nie używać na dywanach. Nadaje się do twardych powierzchni podłóg, takich jak panele winylowe, płytki ceramiczne i lakierowane drewno. Należy uważać, aby nie najechać na luźne przedmioty lub krawędzie dywaników.
- 5. Nie dotykać gniazdka, zasilacza ani wyświetlacza mokrymi rękami, aby uniknąć ryzyka porażenia prądem.
- 6. Nie należy używać tego produktu do cieczy łatwopalnych lub wysoce lotnych oraz innych chemicznie niebezpiecznych cieczy (takich jak benzyna, nafta, farby i perfumy) ani w obszarach, gdzie mogą występować ciecze łatwopalne lub palne. W przeciwnym razie może dojść do zwarcia lub eksplozji.
- 7. Nie należy używać tego produktu do usuwania substancji toksycznych lub szkodliwych (wybielacz chlorowy, amoniak, środki do czyszczenia kanalizacji); ani do sprzątania twardych lub ostrych przedmiotów (takich jak szkło, gwoździe, śruby i monety); ani do usuwania gorących źródeł, które nie wygasły, takich jak niedopałki papierosów i zapałki, aby uniknąć pożaru.
- 8. Przed użyciem upewnij się, że włosy, luźne ubrania, palce i inne części ciała wszystkich osób znajdują się w bezpiecznej odległości od otworów i ruchomych elementów tego produktu oraz jego akcesoriów.
- 9. Nie blokuj wlotu i wylotu powietrza, aby uniknąć przegrzania. Nie umieszczaj żadnych przedmiotów w otworze ssącym produktu. Na bieżąco usuwaj kurz, puch, włosy lub inne zanieczyszczenia, ponieważ mogą one ograniczać przepływ powietrza. Podczas ładowania, przechowywania i użytkowania produktu utrzymuj temperaturę otoczenia w zakresie 0-40°C.
- 10. Zachowaj szczególną ostrożność podczas czyszczenia schodów, aby zapobiec upadkowi.
- 11. Nie zanurzaj szczotki podłogowej w wodzie, aby uniknąć uszkodzenia produktu. Nie potrząsaj ani nie uderzaj gwałtownie urządzeniem, aby zapobiec przedostawaniu się zużytej wody do silnika. Podczas obsługi produktu utrzymuj go w pozycji pionowej, aby uniknąć dostania się zużytej wody do silnika.
- 12. Nie wystawiaj odkurzacza na działanie źródeł ognia lub nadmiernie wysokiej temperatury. Narażenie na działanie ognia lub nadmiernej temperatury może spowodować eksplozję.
- 13. Nie używaj odkurzacza bez wkładu filtracyjnego.

## Ładowanie akumulatora

### ⚠️ Ostrzeżenie

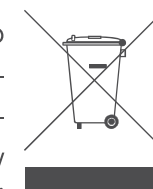
1. Produkt może być używany wyłącznie z dostarczoną stacją ładującą i zasilaczem.
2. Przestrzegaj wszystkich instrukcji ładowania i nie ładuj poza określonym zakresem temperatur, w przeciwnym razie może to zwiększyć ryzyko pożaru.
3. Nie ciągnij ani nie podnoś kabla stacji ładującej, ani nie używaj kabla jako uchwytu. Unikaj przytrzaśnięcia kabla drzwiami lub przeciągania go przez ostre krawędzie lub rogi.
4. Nie ładuj ani nie umieszczaj stacji ładującej w pobliżu źródeł ciepła ani w wilgotnych miejscach, takich jak grzejniki lub łazienki.
5. Nie używaj żadnych akumulatorów, które nie są przeznaczone do ponownego ładowania. Nieprzestrzeganie może spowodować pożar baterii litowo-jonowych. Akumulator w tym odkurzaczu może być wymieniony tylko przez wykwalifikowanego technika lub serwis posprzedażny.
6. Nie używaj żadnych baterii, zasilaczy ani stacji ładujących innych firm. Nie demontuj, nie naprawiaj ani nie modyfikuj akumulatora, zasilacza ani stacji ładującej.
7. Akumulator litowo-jonowy zawiera substancje szkodliwe dla środowiska. Przed wyrzuceniem odkurzacza wyjmij akumulator, a następnie wyrzuć go lub poddaj recyklingowi zgodnie z lokalnymi przepisami i regulacjami obowiązującymi w kraju lub regionie użytkowania.
8. W wyniku nadmiernej ekspozycji bateria może wydzielać płyn. Jeśli przypadkowo się z nim zetkniesz, przemyj go wodą. Jeśli płyn dostanie się do oczu, natychmiast zasięgnij porady lekarskiej, ponieważ wydzieliny z akumulatora mogą powodować podrażnienia lub oparzenia.
9. Przed wyjęciem akumulatora odkurzacza musi być odłączony od zasilania i możliwie jak najbardziej rozładowany. Przechowuj baterię poza zasięgiem dzieci. Nie wystawiaj baterii na wysokie temperatury, aby uniknąć wybuchu. Nigdy nie wkładaj baterii do ust. Jeśli zostanie połknięta, skontaktuj się z lekarzem lub lokalnym ośrodkiem kontroli zatruc.

10. Jeśli produkt nie będzie używany przez dłuższy czas, wyłącz zasilanie i odłącz stację ładującą. Upewnij się, że ładujesz ją co trzy miesiące, aby uniknąć nadmiernego rozładowania baterii.

## Informacje o WEEE

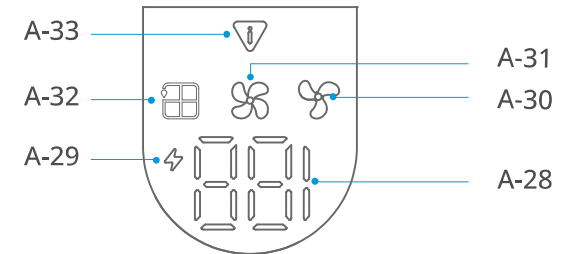
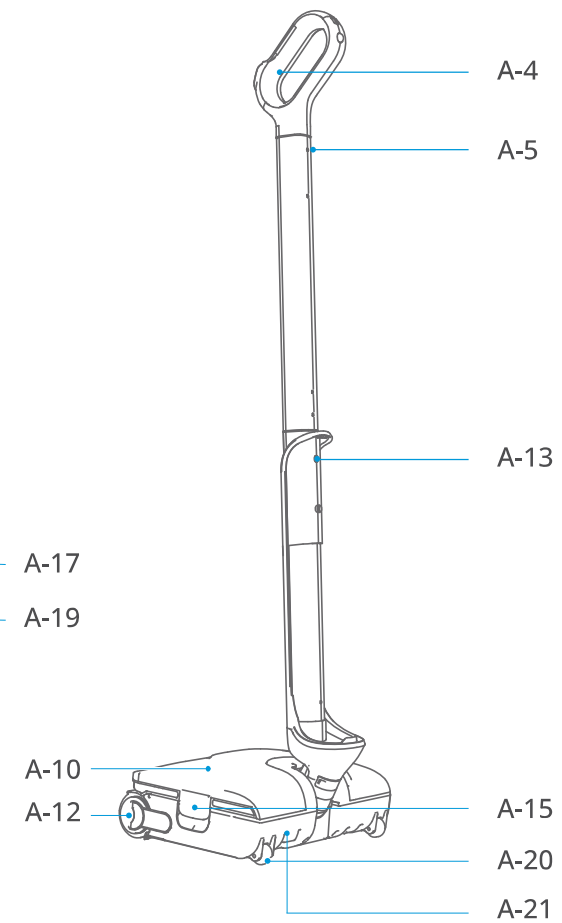
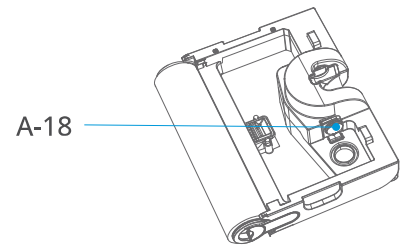
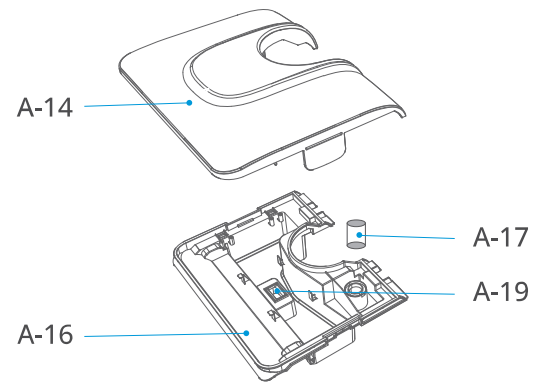
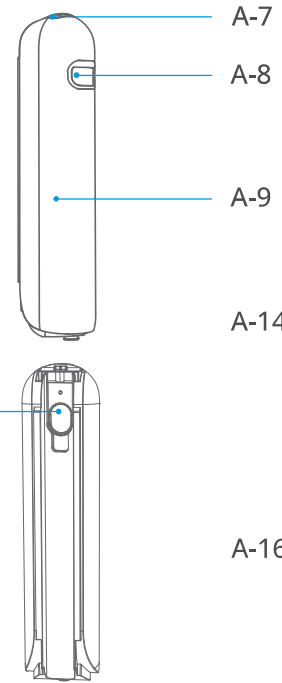
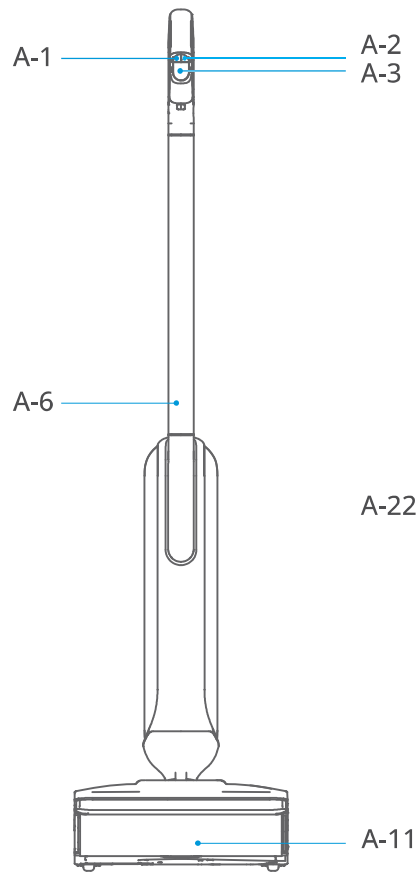
### Prawidłowe postępowanie z produktem

Ten znak oznacza, że produktu nie należy wyrzucać wraz z innymi odpadami domowymi na terenie całej Unii Europejskiej. Aby zapobiec potencjalnym zagrożeniom dla środowiska lub zdrowia ludzi wynikającym z niekontrolowanego gospodarowania odpadami, należy poddać go odpowiedzalnemu recyklingowi, co przyczynia się do zrównoważonego ponownego wykorzystania zasobów materiałowych. Aby zwrócić swój stary odkurzacza, skorzystaj z systemu zwrotu i recyklingu lub skontaktuj się ze sprzedawcą, u którego dokonałeś zakupu. Mogą oni poddać ten produkt bezpiecznemu dla środowiska recyklingowi.



# Opis produktu

A



A-23



A-24



A-25



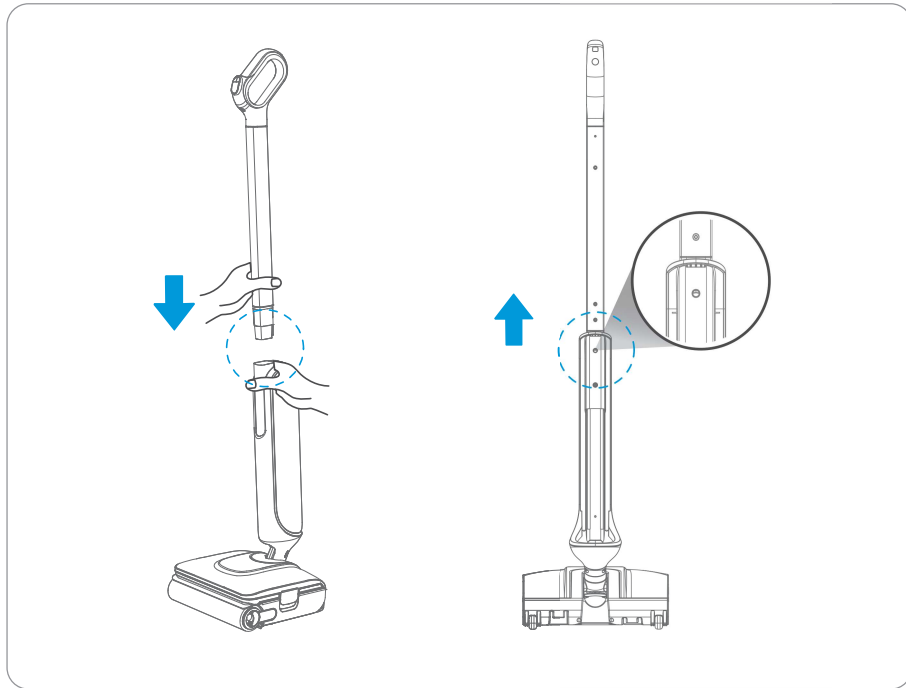
A-26



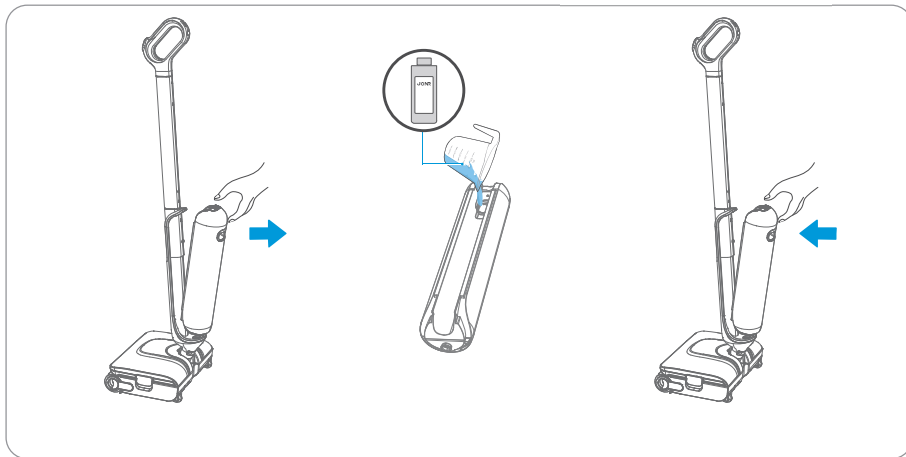
A-27

# Instrukcja montażu

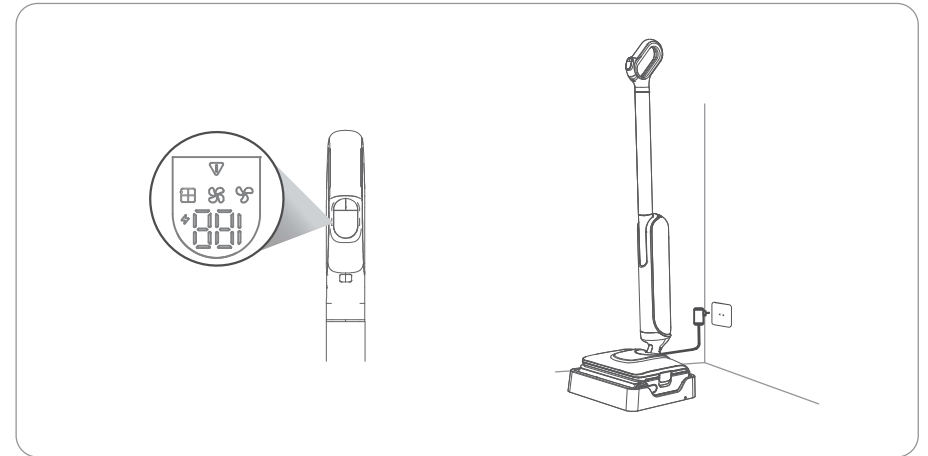
**B**



B1



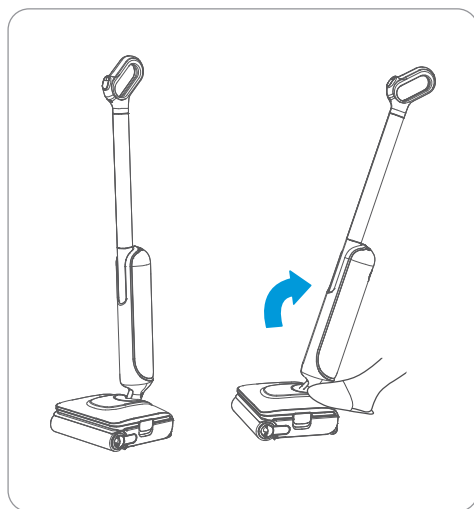
B2



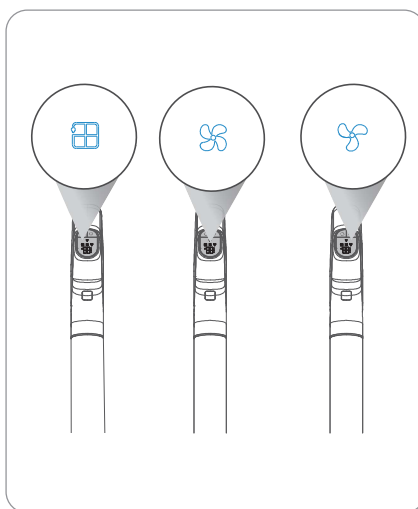
B3

# Instrukcja użytkowania

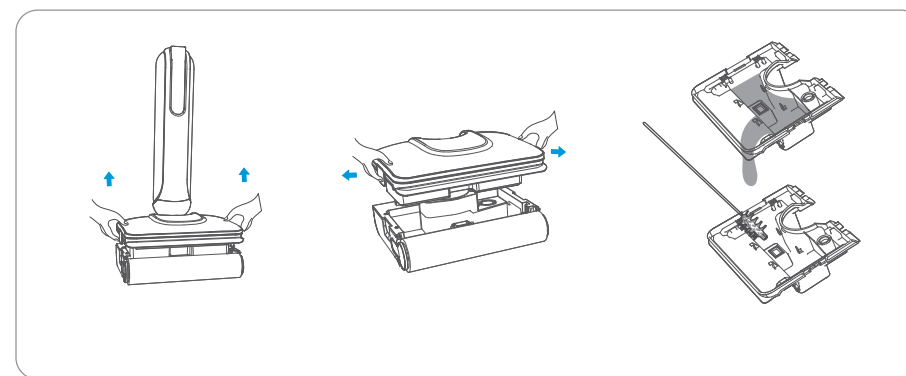
C



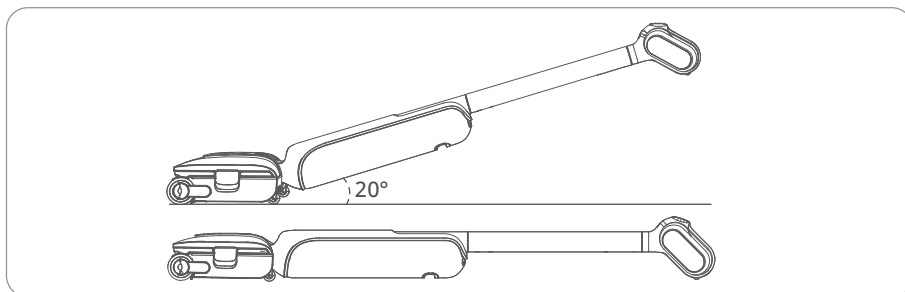
C1



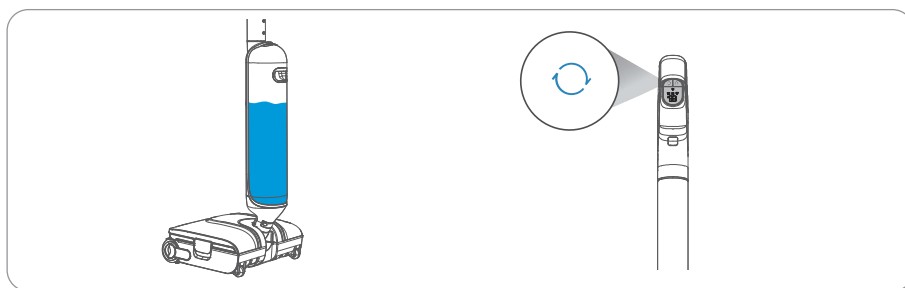
C2



C5



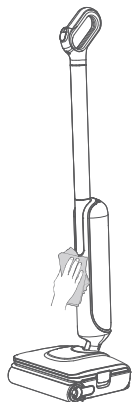
C-3



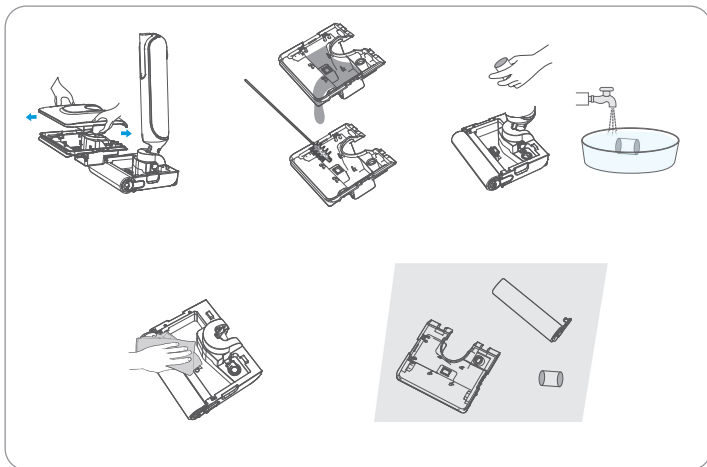
C4

# Konserwacja i serwis

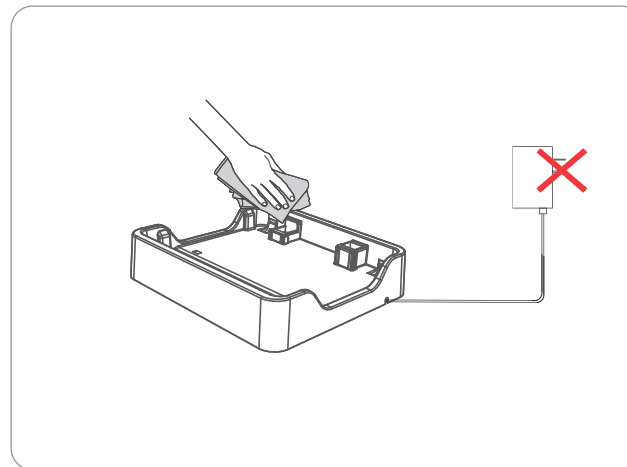
D



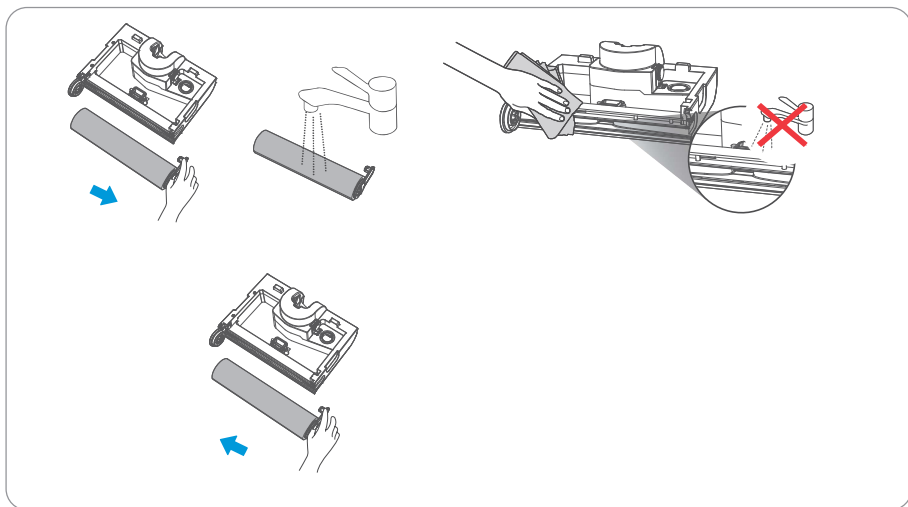
D1



D2





D4



D3

# Opis produktu

## Odkurzacz

- “” - Przycisk trybu (A1)
- “” - Przycisk zasilania (A2)
- Ekran (A3)
- Rączka (A4)
- Otwarte otwory do zwolnienia rączki (A5)
- Rura aluminiowa (A6)
- Przycisk zwalniania pojemnika na czystą wodę (A7)
- Uchwyt pojemnika na czystą wodę (A8)
- Zbiornik na czystą wodę (A9)
- Zbiornik na wodę brudną (A10)
- Szczotka rolkowa (A11)
- Uchwyt szczotki rolkowej (A12)
- Otwór zwalniający rurę aluminiową (A13)
- Pokrywa górna zbiornika na wodę brudną (A14)
- Uchwyt zbiornika na wodę brudną (A15)
- Dolna pokrywa zbiornika na ścieki (A16)
- Filtrowata (A17)
- Osłona wlotu powietrza do wentylatora (A18)
- Włot na ścieki (A19)
- Kółka (A20)
- Port ładowania (A21)
- Pokrywa uszczelniająca zbiornika na czystą wodę (A22)

## Lista zawartości opakowania:

- Podstawa ładowania (A23)
- Płyn do czyszczenia (w zależności od rynku sprzedaży) (A24)
- Szczotka do konserwacji (A25)
- Instrukcja obsługi (A26)
- Przystawka (A27)

## Wyświetlacz:

- Wskaźnik poziomu naładowania baterii i kodów błędów (A28)
- Lampka sygnalizująca ładowanie (A29)
- Tryb automatyczny (A30)
- Tryb intensywny (A31)
- Tryb czyszczenia łazienki (A32)
- Wskaźnik awarii urządzenia podczas pracy (A33)

# Instrukcja montażu

## Montaż i demontaż rączki (B1)

1. Montaż: Włóż koniec rączki pionowo w rurę aluminiową, a następnie włóż rurę aluminiową pionowo do obudowy głównej, aż usłyszysz charakterystyczne „kliknięcie”, co oznacza prawidłowy montaż.
2. Demontaż: Wsuń cienki, twardy przedmiot do małego otworu z tyłu obudowy (otwór zwalniający rurę aluminiową), następnie mocno chwyć obudowę i pociągnij rączkę do góry.

## Ustawienie języka komunikatów głosowych (B2)

Podczas pierwszego uruchomienia urządzenia funkcja głosowa jest domyślnie włączona. Gdy urządzenie główne nie jest w trakcie ładowania, przytrzymanie przycisku trybu przez 5 s wyłącza/włącza głos. Gdy urządzenie główne jest w trakcie ładowania, przytrzymanie przycisku trybu przez 5 s zmienia język komunikatu głosowego; zmiana jest automatycznie zapisywana.

## Przygotowanie zbiornika na czystą wodę (B3)

1. Naciśnij zatrzask na zbiorniku na czystą wodę i jednocześnie pociągnij uchwyt zbiornika do tyłu, aby go zdemontować.
2. Otwórz szczelną pokrywę zbiornika na czystą wodę, dodaj czystą wodę i opcjonalnie odpowiednią ilość oficjalnego płynu czyszczącego JONR.
3. Zamontuj zbiornik na czystą wodę z powrotem na miejsce. Usłyszysz charakterystyczne kliknięcie, co oznacza prawidłowy montaż.

## Ładowanie (B4)

Po prawidłowym umieszczeniu głównej jednostki w podstawce, podłącz zasilanie. Usłyszysz głosowe powiadomienie "Rozpoczęto ładowanie". Zaleca się pełne naładowanie urządzenia przed pierwszym użyciem. Ładowanie od 0% do 100% zwykle zajmuje około 2,5 godziny.

\*Uwaga: Ilustracje produktów i akcesoriów w instrukcji są jedynie poglądowe i mają charakter wyłącznie informacyjny. Ze względu na aktualizacje i udoskonalenia produktów, rzeczywisty produkt może się nieznacznie różnić od przedstawionego na ilustracjach – prosimy kierować się produktem fizycznym.

# Instrukcja użytkowania

## Włączanie/wyłączanie (C1)

Lekko naciśnij pokrywę szczotki i przechył odkurzacz do tyłu. Naciśnij przycisk zasilania, aby włączyć urządzenie, a ponowne naciśnięcie spowoduje wyłączenie. Maszyna posiada funkcję pauzy w pozycji pionowej – gdy urządzenie pracuje, naciśnij stopą szczotkę podłogową i ustaw rączkę pionowo, a po 5 s maszyna przejdzie w tryb gotowości.

## Zmiana trybu czyszczenia (C2)

Domyślnie po włączeniu aktywny jest tryb automatyczny. Gdy myjka pracuje na podłodze, możesz krótko nacisnąć przycisk trybu, aby przełączyć się między trybem automatycznym, intensywnym a trybem czyszczenia łazienki, zgodnie z potrzebami.

## Tryb płaski (C3)

Urządzenie może pracować w pozycji poziomej do 180°. Gdy zostanie pochylone pod kątem około 20° do podłogi, automatycznie przejdzie w tryb płaski, umożliwiając czyszczenie nisko położonych obszarów.

## Samoczyszczenie (C4)

1. Po zakończeniu czyszczenia umieść odkurzacz na podstawie i upewnij się, że w zbiorniku na czystą wodę jest wystarczająca ilość wody do samoczyszczenia.
2. Krótko naciśnij przycisk trybu 1 raz, aby uruchomić/wstrzymać samoczyszczenie.

## Czyszczenie zbiornika na wodę brudną (C5)

1. Złap oburącz uchwyty zbiornika na wodę brudną i podnieś go w górę, aby wyjąć go z podstawy.
2. Otwórz uchwyty z obu stron zbiornika na wodę brudną, aby zdjąć górną pokrywę zbiornika.

3. Wylej brudną wodę i wyczyść dokładnie zbiornik szczotką do czyszczenia.
4. Złóż zbiornik na brudną wodę i umieść go z powrotem w podstawie głowicy czyszczącej.

\* Uwaga: Przed instalacją zbiornika na wodę brudną, wytrzyj dokładnie podstawę szczotki podłogowej.

# Konserwacja i serwis

## Czyszczenie obudowy (D1)

Czyść odkurzacz miękką, suchą szmatką. Przed czyszczeniem odłącz odkurzacz z podstawy ładowania i wyłącz go.

## Czyszczenie zbiornika na brudną wodę, wkładu filtracyjnego oraz zespołu rolki (D2)

1. Zdejmij zbiornik na brudną wodę z urządzenia głównego i otwórz jego pokrywę.
2. Wylej wodę ze zbiornika na brudną wodę i dokładnie go umyj szczotką do czyszczenia.
3. Wyjmij filc filtracyjny, usuń z niego zanieczyszczenia i przepłucz go wodą.
4. Przykryj wlot powietrza do wentylatora pokrywą wlotu, a wlot zanieczyszczeń wytrzyj wilgotną ściereczką.
5. Po wysuszeniu części szczotki podłogowej, zbiornika na brudną wodę i filtru, ponownie je zamontuj na miejsce.

## Czyszczenie zespołu szczotki obrotowej (D3)

1. Naciśnij przycisk zwalniający pokrywę szczotki, zdejmij szczotkę, usuń z niej pozostałe włosy i drobne zanieczyszczenia, wytnij włosy owinięte wokół szczotki. Jeśli po czyszczeniu automatycznym na szczotce wciąż pozostają ciężkie, trudne do usunięcia plamy, można ją ponownie wypłukać wodą.

2. Czyszczenie wlotu brudu: Jeśli na wlocie brudu (otworze widocznym po zdjęciu szczotki) wciąż pozostały plamy, wytrzyj go wilgotną ściereczką. Zabrania się płukania go wodą.
3. Po całkowitym wyschnięciu wszystkich komponentów należy je ponownie zainstalować.

\*Uwaga: Nie wolno bezpośrednio splukiwać podstawki ładującej wodą. Aby zdemontować szczotkę rotacyjną, należy najpierw zdjąć zbiornik na brudną wodę. Podczas czyszczenia części szczotki podłogowej należy zamknąć pokrywę wlotu powietrza wentylatora, aby zapobiec dostaniu się wody do wentylatora i jego uszkodzeniu. Po zakończeniu czyszczenia otwórz ponownie pokrywę wlotu powietrza wentylatora.

## Czyszczenie podstawki ładującej (D4)

Odłącz wtyczkę zasilania podstawki ładującej i przetrzyj jej powierzchnię oraz styki ładowania miękką, suchą ściereczką.

## Tabela parametrów

Model produktu	H2
Napięcie wejściowe ładowania	100-240V~ 50-60Hz
Wyjście ładowania	27V $\approx$ 0.85A
Czas ładowania	około 2,5 h
Moc	100W
Napięcie	21.6V
Wymiary produktu	280x230x1110mm
Pojemność zbiornika na czystą wodę	1500ml
Pojemność zbiornika na brudną wodę	600ml

## Częste problemy i sposoby ich rozwiązania

Problem	Przyczyna i rozwiązanie
Podczas użytkowania pojawia się nieprzyjemny zapach	- Czyszczenie zbiornika na brudną wodę, filtru i wałka szczotki
Rolka szczotki nie obraca się	<ul style="list-style-type: none"> <li>- Zatkana włosami lub innymi zanieczyszczeniami, proszę ją wyczyścić</li> <li>- Zbiornik na brudną wodę jest pełny, proszę go opróżnić</li> <li>- Niski poziom naładowania baterii, proszę podłączyć urządzenie do ładowania</li> <li>- Wlot brudu jest zatkany, proszę go wyczyścić</li> </ul>
Podczas czyszczenia powstaje dużo piany	<ul style="list-style-type: none"> <li>- Nie dodawaj do zbiornika czystej wody środków czyszczących innych niż zalecane przez JONR</li> <li>- Po napełnieniu zbiornika na brudną wodę pianą maszyna może się wyłączyć. Wyjmij wałek szczotki i zbiornik na brudną wodę, aby usunąć płyn pianotwórczy. Ten produkt jest przeznaczony wyłącznie do stosowania z dedykowanym środkiem czyszczącym JONR.</li> </ul>
Nie ładuje się, gdy jest umieszczony na stacji dokującej	<ul style="list-style-type: none"> <li>- Wyczyść zaciski ładowania podstawy ładującej oraz gniazdo ładowania na urządzeniu</li> <li>- Upewnij się, że zasilanie jest prawidłowo podłączone, a urządzenie ustawione właściwie</li> </ul>
Odkurzacz nie działa	<ul style="list-style-type: none"> <li>- Nie naładowany lub niski poziom baterii; przed czyszczeniem naładuj odkurzacz w pełni</li> <li>- Blokada przez ciało obce lub przegrzanie powodujące wyłączenie ochronne; usuń przeszkodę i pozostaw urządzenie do ostygnięcia w temperaturze pokojowej</li> <li>- Zbiornik na brudną wodę jest pełny; opróżnij go</li> <li>- Akcesoria nie są prawidłowo zamontowane; zainstaluj wszystkie części we właściwych miejscach</li> </ul>
Powolne ładowanie odkurzacza	- Temperatura baterii zbyt wysoka lub zbyt niska; poczekaj, aż osiągnie temperaturę pokojową
Słaba siła ssania odkurzacza	<ul style="list-style-type: none"> <li>- Szczotka rollkowa jest owinięta włosami lub ciałami obcymi, należy ją wyczyścić</li> <li>- Filtr jest zablokowany, wyczyść go</li> <li>- Rura ssąca lub wlot ssący jest zatkany, należy go wyczyścić</li> <li>- Wałek szczotki lub zbiornik na brudną wodę nie są prawidłowo zamontowane, zainstaluj je ponownie</li> </ul>
Silnik wydaje nietypowe dźwięki	<ul style="list-style-type: none"> <li>- Zbiornik na brudną wodę jest pełny, należy go opróżnić</li> <li>- Wlot ssący jest zatkany, należy go wyczyścić</li> <li>- Zbiornik na czystą wodę jest pusty lub nieprawidłowo zainstalowany, należy go napełnić i ponownie zamontować</li> </ul>
Odkurzacz nie wydaje wody	- Zbiornik na czystą wodę nie jest prawidłowo umieszczony, należy go zamontować prawidłowo przed rozpoczęciem czyszczenia

## Częste problemy i sposoby ich rozwiązania

Problem	Przyczyna i rozwiązanie
Funkcja samooczyszczania nie powiodła się	<ul style="list-style-type: none"><li>- Szczotka walcowa została zablokowana przez duże zanieczyszczenia, proszę sprawdzić i oczyścić</li><li>- Niski poziom baterii lub brak ładowania, proszę upewnić się, że urządzenie jest naładowane na stacji dokującej przed włączeniem samooczyszczania</li><li>- Zbiornik na brudną wodę nie jest prawidłowo zamontowany lub jest pełny, proszę opróżnić zbiornik lub prawidłowo go zamontować</li><li>- Zbiornik na czystą wodę nie jest prawidłowo zamontowany lub brakuje w nim wody, proszę ponownie zamontować zbiornik lub napelnić go wystarczającą ilością wody</li></ul>

\* Jeśli na wyświetlaczu pojawi się kod błędu, urządzenie nie ładuje się, zatrzymuje się lub występują inne problemy, których nie można rozwiązać, prosimy o kontakt z serwisem JONR: [service@jonrtech.com](mailto:service@jonrtech.com)

## Краткое руководство

- A. Поместите зарядную док-станцию на твердый пол.
- B. Перед первым использованием поместите устройство на зарядную док-станцию, подключите к источнику питания и дождитесь полной зарядки, прежде чем начать эксплуатацию.
- C. Этот продукт предназначен только для твердых полов. Перед началом использования заполните резервуар для чистой водой.
- D. После цикла самоочистки своевременно опустошайте резервуар для грязной воды, чтобы избежать появления неприятного запаха.
- E. Регулярно очищайте валик-щетку и всасывающий патрубок, а также заменяйте поролоновый фильтр, чтобы предотвратить засорение устройства и снижение всасывающей силы.
- F. Используйте чистящие средства, официально рекомендованные JONR. Категорически запрещается использовать средства, образующие пену, мыльную воду, парфюмерию, а также едкие жидкости.
- G. Если на индикаторе неисправности отображается ошибка устройства, или оно не заряжается, прекращает работу, и вы не можете решить проблему самостоятельно, немедленно свяжитесь со службой поддержки JONR: [service@jonrtech.com](mailto:service@jonrtech.com)

## Информация по безопасности

### Ограничения по использованию

1. Дети в возрасте до 8 лет или лица с ограниченными физическими, сенсорными, интеллектуальными возможностями, а также с недостаточным опытом или знаниями должны использовать пылесос под присмотром родителей или опекунов, чтобы обеспечить безопасную эксплуатацию и избежать любых рисков. Уборку и техническое обслуживание нельзя проводить детям без присмотра.
2. Данный пылесос не предназначен для использования лицами (включая детей) с ограниченными физическими, сенсорными или умственными способностями или недостатком опыта и знаний, если они не находятся под присмотром или не получили инструктаж по использованию пылесоса от лица, ответственного за их безопасность.

3. Пластиковая пленка, используемая для упаковки продукта, может представлять опасность. Держите ее вдали от детей, чтобы избежать риска удушья.
4. Используйте только в помещении. Не используйте на коврах. Подходит для твердых поверхностей, таких как виниловые полы, плитка и лакированная древесина. Следите, чтобы устройство не наезжало на незакрепленные предметы или края напольных ковриков.
5. Не касайтесь розетки, сетевого адаптера или дисплея мокрыми руками, чтобы избежать риска поражения электрическим током.
6. Не используйте данный продукт для легковоспламеняющихся или высоколетучих жидкостей, а также других химически опасных жидкостей (таких как бензин, керосин, краска и парфюмерия), и не используйте его в местах, где могут находиться легковоспламеняющиеся или горючие жидкости. В противном случае может произойти короткое замыкание или взрыв.
7. Не используйте это изделие для удаления токсичных или вредных веществ (хлорного отбеливателя, нашатырного спирта, средств для прочистки канализационных труб); для уборки твердых или острых предметов (таких как стекло, гвозди, шурупы и монеты); а также для удаления горячих источников, таких как окурки и спички, во избежание пожара.
8. Перед использованием убедитесь, что волосы, свободная одежда, пальцы и части тела любого человека находятся вдали от отверстий и движущихся частей данного изделия и его принадлежностей.
9. Не перекрывайте впускные и выпускные отверстия, чтобы избежать перегрева. Не помещайте никакие предметы во всасывающее отверстие изделия. Своевременно удаляйте пыль, ворс, волосы или другие предметы, так как они могут снизить поток воздуха. При зарядке, хранении и эксплуатации изделия поддерживайте температуру окружающей среды в диапазоне от 0 до 40 °C.
10. Будьте особенно осторожны при уборке на лестницах, чтобы предотвратить падение.
11. Не погружайте напольную щётку в воду во избежание повреждения изделия. Не трясите и не ударяйте агрегат, чтобы предотвратить попадание сточной воды в двигатель. При обращении с изделием держите его в вертикальном положении, чтобы избежать попадания сточной воды в двигатель.
12. Не подвергайте пылесос воздействию источников огня или чрезмерно высокой температуры. Воздействие источника огня или чрезмерно высокой температуры может привести к взрыву.
13. Не используйте этот пылесос без фильтрующего ватина.

## Зарядка аккумулятора

### ⚠ Предупреждение

1. Данное изделие можно использовать только с поставляемыми в комплекте зарядной базой и блоком питания.
2. Следуйте всем инструкциям по зарядке и не заряжайте устройство за пределами указанного температурного диапазона, чтобы избежать повышенного риска возгорания.
3. Не тяните и не поднимайте кабель зарядной станции, а также не используйте его в качестве ручки. Избегайте закрывания двери на кабеле и перетягивания его через острые кромки или углы.
4. Не заряжайте устройство и не размещайте станцию вблизи источников тепла или в сырых помещениях (например, рядом с радиаторами или в ванных комнатах).
5. Не используйте непerezаряжаемые батареи. Несоблюдение этого правила может привести к возгоранию литий-ионной батареи. Батарея, входящая в комплект данного пылесоса, может быть заменена только квалифицированным специалистом или сервисной службой.
6. Не используйте сторонние аккумуляторы, блоки питания или зарядные станции. Не разбирайте, не ремонтируйте и не модифицируйте батарею, блок питания или зарядную станцию.
7. Литий-ионный аккумулятор содержит вещества, вредные для окружающей среды. Перед утилизацией пылесоса извлеките аккумулятор и утилизируйте или переработайте его в соответствии с местными законами и правилами страны или региона использования.
8. В результате перезаряда из аккумулятора может вытекать жидкость. В случае случайного контакта промойте место контакта водой. Если жидкость попала в глаза, немедленно обратитесь за медицинской помощью, так как жидкость из батареи может вызвать раздражение или ожоги.

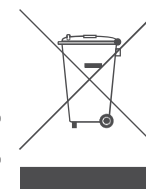
9. Перед извлечением аккумулятора отключите пылесос от источника питания и по возможности полностью разрядите его. Храните аккумулятор в недоступном для детей месте. Не подвергайте аккумулятор воздействию высоких температур во избежание взрыва. Никогда не кладите аккумулятор в рот. В случае проглатывания обратитесь к врачу или в местный токсикологический центр.

10. Если устройство не будет использоваться в течение длительного времени, выключите его и отсоедините зарядную станцию от сети. Убедитесь, что аккумулятор заряжается каждые три месяца, чтобы избежать его глубокого разряда.

## Информация об утилизации WEEE

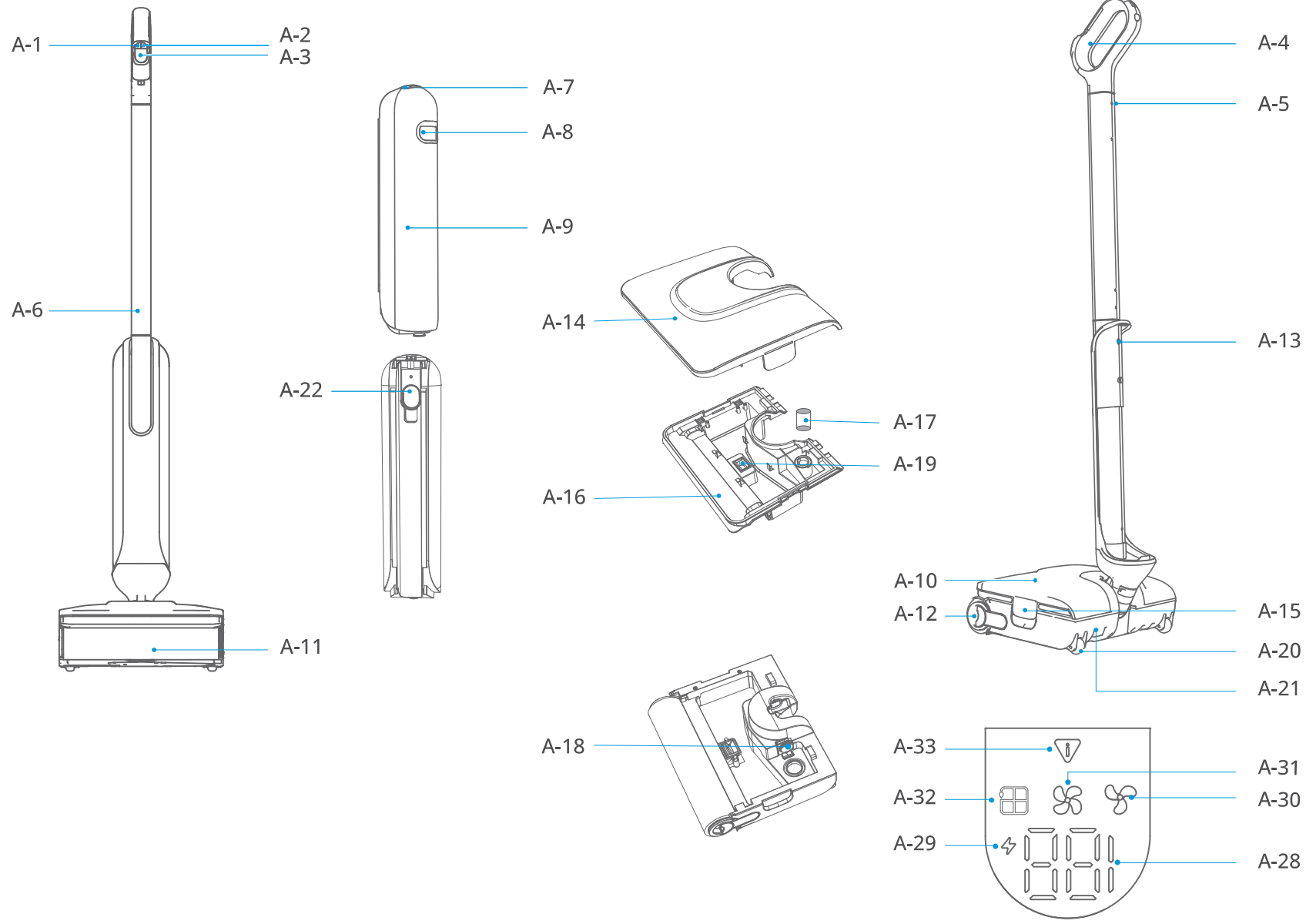
### Правильная утилизация данного продукта

Данный символ означает, что этот продукт не должен утилизироваться вместе с другими бытовыми отходами на всей территории Европейского Союза. Чтобы предотвратить потенциальный вред для окружающей среды или здоровья человека от неконтролируемого обращения с отходами, утилизируйте его ответственно для обеспечения устойчивого повторного использования материальных ресурсов. Чтобы вернуть ваш старый пылесос, используйте систему возврата и утилизации или обратитесь к розничному продавцу, у которого вы приобрели продукт. Они могут организовать экологически безопасную переработку этого продукта.



# Введение в продукт

A



A-23



A-24



A-25



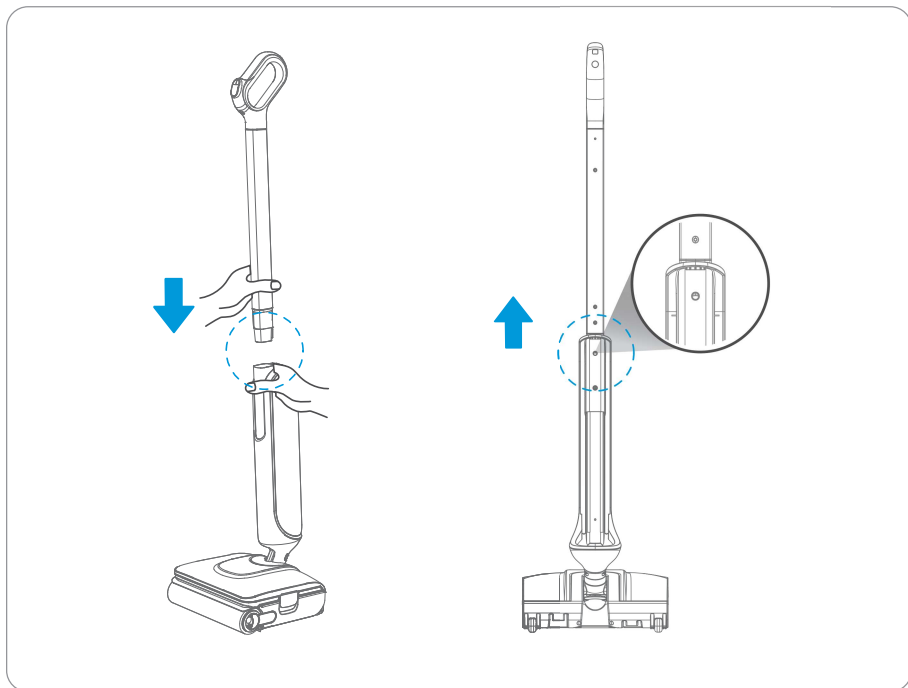
A-26



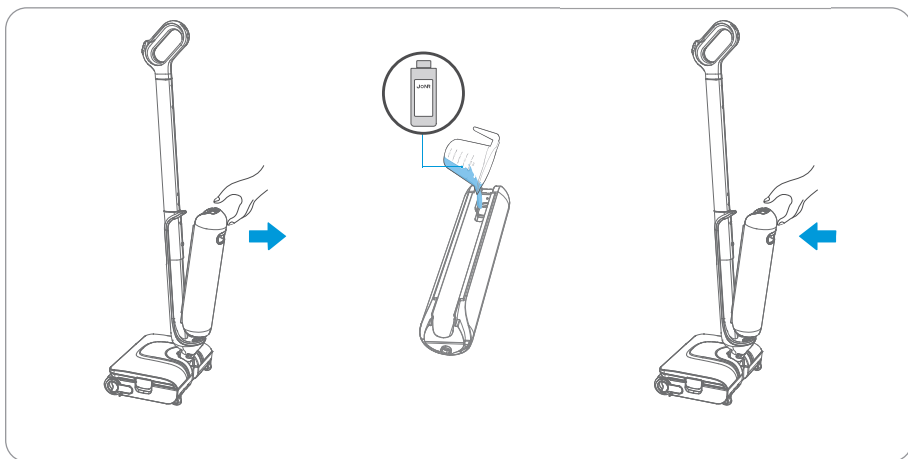
A-27



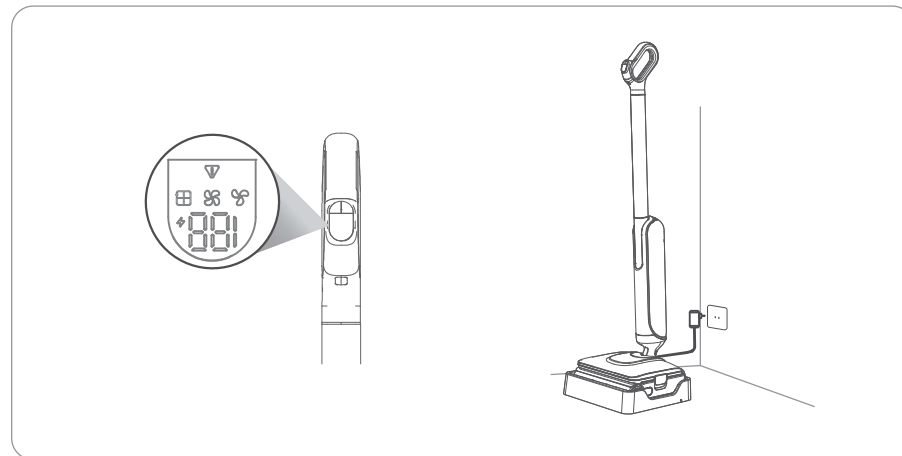
**B**



B1



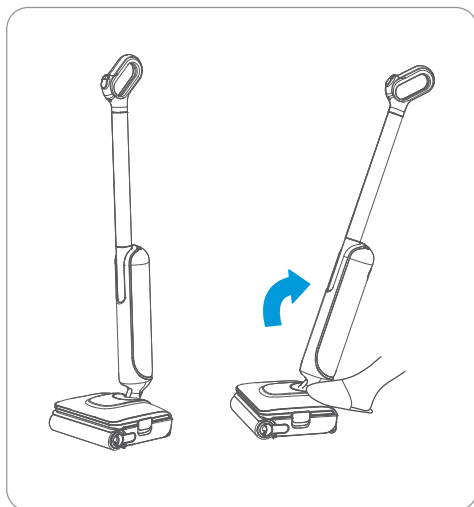
B2



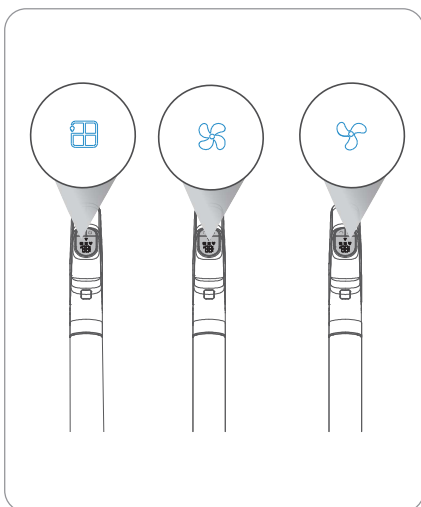
B3

# Как использовать

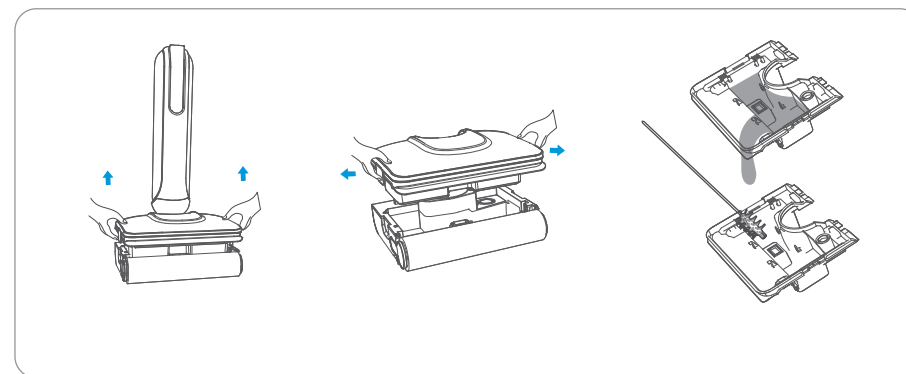
C



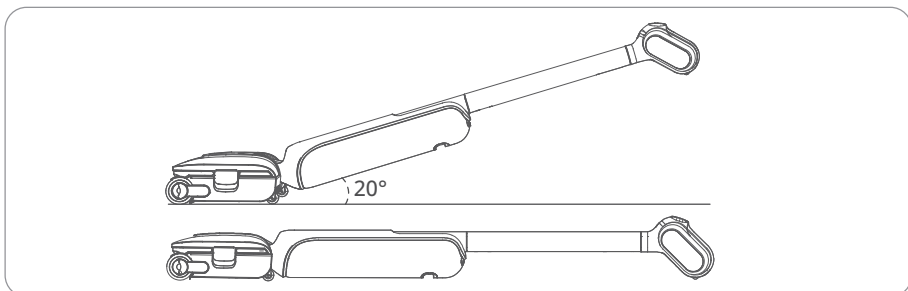
C1



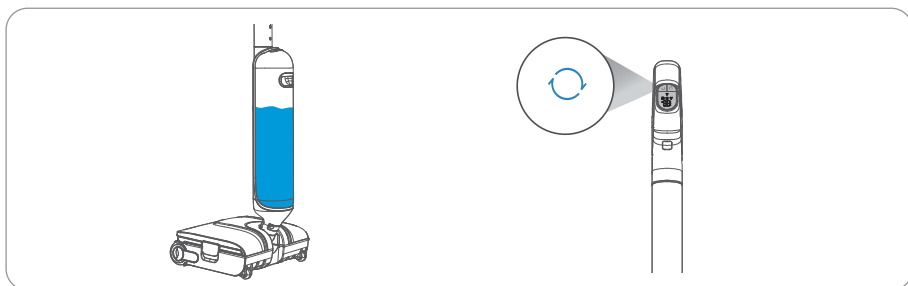
C2



C5

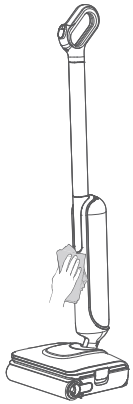


C-3

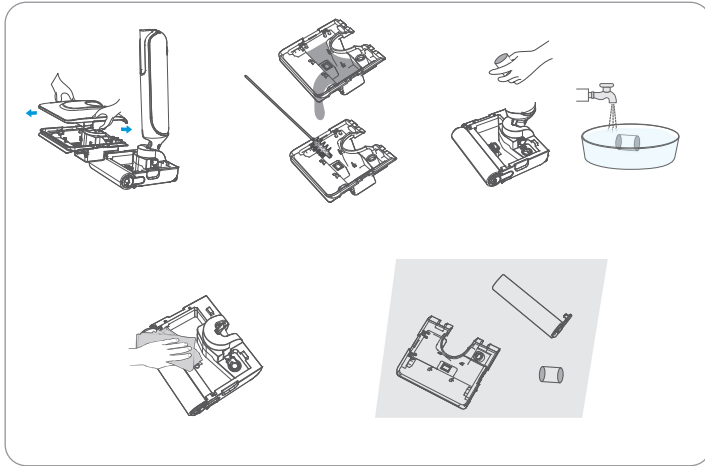


C4

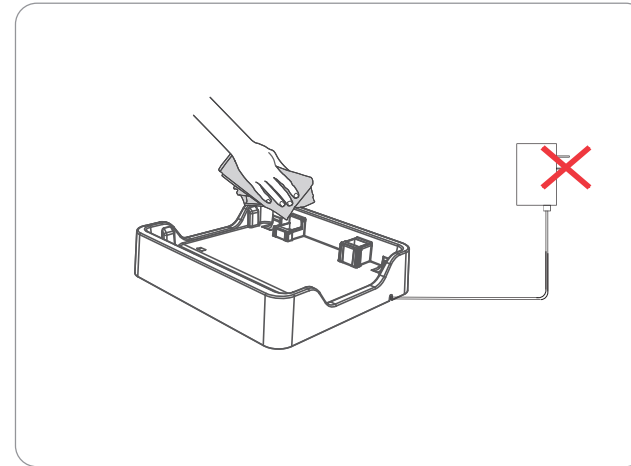
D



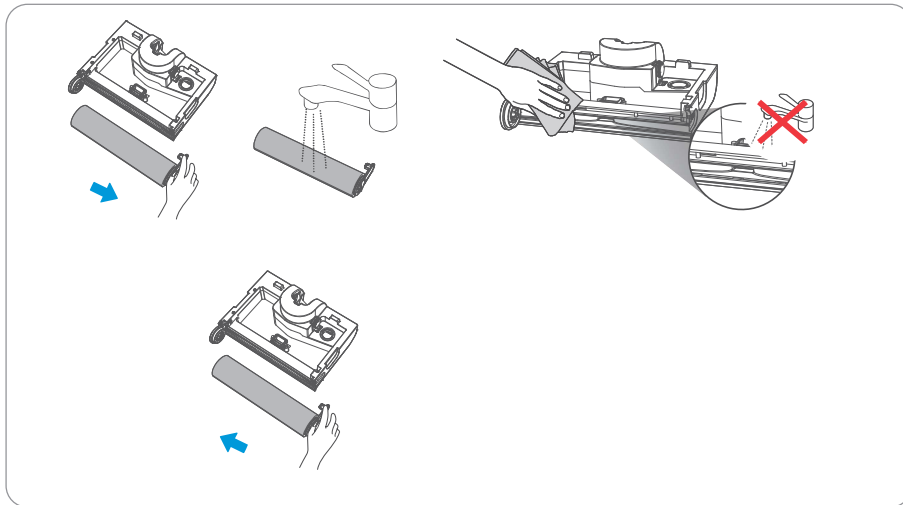
D1



D2





D4



D3

# Введение в продукт

## Пылесос

- “” - Кнопка выбора режима (A1)
- “ ” - Кнопка включения/выключения питания (A2)
- Экран (A3)
- Ручка (A4)
- Отверстие для отсоединения ручки (A5)
- Алюминиевая трубка (A6)
- Кнопка отсоединения бака для чистой воды (A7)
- Ручка бака для чистой воды (A8)
- Резервуар для чистой воды (A9)
- Резервуар для грязной воды (A10)
- Роликовая щетка (A11)
- Ручка роликовой щетки (A12)
- Отверстие для отсоединения алюминиевой трубки (A13)
- Верхняя крышка бака для грязной воды (A14)
- Ручка резервуара для грязной воды (A15)
- Нижняя крышка резервуара для грязной воды (A16)
- Фильтрующий элемент (A17)
- Крышка воздухозаборника вентилятора (A18)
- Впуск для грязной воды (A19)
- Ролик (A20)
- Зарядный разъём (A21)
- Герметичная крышка контейнера для чистой воды (A22)

## Комплектация:

- Зарядная база (A23)
- Моющее средство (в зависимости от рынка сбыта) (A24)
- Щетка для чистки и ухода (A25)
- Руководство пользователя (A26)
- Адаптер (A27)

## Индикаторы на дисплее:

- Индикаторы заряда и кодов неисправностей (A28)
- Индикатор зарядки (A29)
- Автоматический режим (A30)
- Мощный режим (A31)
- Режим уборки ванной комнаты (A32)
- Индикатор неисправности работы устройства (A33)

# Инструкция по сборке

## Установка и снятие ручки (B1)

1. Установка: Вставьте конец ручки в алюминиевую трубку, держа ее вертикально. Затем вставьте алюминиевую трубку в основной блок, также вертикально, до щелчка. Щелчок означает, что установка завершена успешно.
2. Снятие: Вставьте тонкий жесткий предмет в небольшое отверстие на задней части корпуса (отверстие для высвобождения алюминиевой трубки). Затем, крепко удерживая корпус, потяните ручку вверх, чтобы снять ее.

## Настройка языка голосовых уведомлений (B2)

При первом включении устройства функция голосового сопровождения активирована по умолчанию. Когда основное устройство не находится в процессе зарядки, удерживайте кнопку режима в течение 5 секунд, чтобы отключить или включить голосовое сопровождение. Когда основное устройство находится в процессе зарядки, удерживайте кнопку режима в течение 5 секунд, чтобы переключить язык голосового сопровождения; после переключения настройка сохраняется автоматически.

## Подготовка чистой воды в баке (B3)

1. Нажмите на фиксатор бака для чистой воды и одновременно потяните ручку бака назад, чтобы снять бак;
2. Откройте герметичную крышку бака для чистой воды, долейте чистую воду и при желании добавьте рекомендованное производителем JONR моющее средство;
3. Установите бак для чистой воды обратно на место; услышав щелчок, вы поймете, что установка выполнена успешно.

## Зарядка (B4)

После правильной установки основного устройства на зарядную базу подключите питание. Вы услышите голосовое сообщение «Начало зарядки». Рекомендуется полностью зарядить устройство перед первым использованием. Зарядка от 0% до 100% обычно занимает около 2,5 часов.

\* Уведомление: Иллюстрации продуктов, аксессуаров и т.д. в данном руководстве являются схематичными и представлены только для справки. В связи с обновлением и модернизацией продукции, реальный продукт может незначительно отличаться от изображений на схемах. Пожалуйста, ориентируйтесь на фактическое изделие.

# Как использовать

## Включение/выключение (C1)

Аккуратно нажмите на крышку щетки и наклоните прибор назад. Нажмите кнопку питания для включения, повторное нажатие выключит устройство. Прибор оснащен функцией паузы в вертикальном положении: когда прибор работает, поставьте его на пол щеткой вниз и держите рукоятку вертикально. Через 5 секунд прибор перейдет в режим ожидания.

## Смена режима очистки (C2)

По умолчанию при включении установлен автоматический режим. Во время работы поломоечной машины на поверхности пола вы можете при необходимости кратко нажать кнопку режима для переключения между автоматическим режимом, усиленным режимом и режимом очистки ванной комнаты.

## Режим укладывания (C3)

Прибор может работать в полностью горизонтальном положении (угол 180°). Когда прибор наклоняется до угла примерно 20° относительно пола, он автоматически переходит в режим укладывания, что позволяет очищать низкие и труднодоступные места.

## Самоочистка (C4)

1. После завершения уборки верните прибор на док-станцию и убедитесь, что в баке для чистой воды достаточно воды для самоочистки.
2. Кратко нажмите кнопку режима 1 раз, чтобы запустить/приостановить самоочистку.

## Очистка бака для грязной воды (C5)

1. Возьмитесь обеими руками за ручки бака для грязной воды и потяните его вверх, чтобы извлечь из основания.

2. Откройте ручки бака для грязной воды с обеих сторон, чтобы снять верхнюю крышку бака.
3. Вылейте грязную воду и тщательно очистите бак с помощью щетки для чистки.
4. Соберите бак для грязной воды и установите его обратно на основание насадки для пола.

\*Примечание: Перед установкой бака для грязной воды, сначала протрите насухо основание роликовой щетки.

# Техническое обслуживание и уход

## Очистка корпуса устройства (D1)

Протирайте и очищайте пылесос мягкой сухой тканью. Перед очисткой отсоедините пылесос от зарядной станции и выключите его.

## Очистка бака для грязной воды, фильтрующего войлока и роликовой щетки (D2)

1. Снимите бак для грязной воды с основного блока и откройте верхнюю крышку бака.
2. Слейте грязную воду и тщательно промойте емкость для грязной воды щеткой для очистки.
3. Снимите фильтровальную прокладку, удалите с нее мусор и промойте водой.
4. Закройте впускное отверстие вентилятора крышкой и протрите влажной тканью впускное отверстие для грязной воды.
5. После высыхания щеточного узла, емкости для грязной воды и фильтровальной прокладки установите их обратно на место.

## Очистка роликовой щетки (D3)

1. Нажмите на кнопку освобождения крышки роликовой щетки, снимите щетку, удалите оставшиеся волосы и мусор с ролика. Обрежьте волосы, намотавшиеся на ролик. Если после самоочистки

на ролике остались стойкие сильные загрязнения, можно промыть его водой еще раз.

2. Очистка всасывающего отверстия: Если на всасывающем отверстии (отверстии, которое открывается после снятия вращающейся щетки) все еще остались загрязнения, протрите их влажной тканью. Запрещается промывать водой.

3. После того как все детали полностью высохнут, установите их обратно на место.

## Очистка зарядной базы (D4)

Отключите вилку зарядного устройства от сети и протрите поверхность базы и точки контакта мягкой сухой тканью.

\* Примечание: Не промывайте зарядную базу водой напрямую.

Сначала необходимо снять бак для грязной воды, а затем можно снять вращающуюся щетку.

При очистке насадки для пола закройте крышку вентиляционного отверстия, чтобы предотвратить попадание воды и повреждение вентилятора. После завершения очистки откройте крышку вентиляционного отверстия.

## Таблица параметров

Модель продукта	H2
Номинальный входной ток для зарядки	100-240V~ 50-60Hz
Выходная мощность зарядки	27V==0.85A
Время зарядки	примерно 2.5 ч
Мощность	100 Вт
Напряжение	21.6 В
Габариты изделия	280x230x1110 мм
Объем резервуара для чистой воды	1500 мл
Объем резервуара для грязной воды	600 мл

## Распространенные проблемы и способы их устранения

Проблема	Причина и способ решения
Во время использования ощущается неприятный запах	- Очистите контейнер для грязной воды, фильтрующий материал и вращающуюся щетку
Вращающаяся щётка не вращается	- Щётка застряла из-за волос или другого постороннего предмета, прочистите её - Бак для грязной воды заполнен, опустошите его - Низкий заряд батареи, зарядите устройство - Засорено входное отверстие для грязи, прочистите его
Во время уборки образуется большое количество пены	- Не добавляйте в бак для чистой воды чистящие средства, не рекомендованные JONR - После заполнения бака для грязной воды пеной устройство прекратит работу. Снимите роликовую щётку и бак для грязной воды, удалите пену и моющий раствор. Данное изделие поддерживает использование только специальных моющих средств JONR
Не заряжается в зарядной базе	- Очистите зарядные контакты на зарядной базе и место подключения на корпусе устройства - Убедитесь в правильном подключении к источнику питания и корректном размещении устройства в базе
Пылесос не работает	- Разряженный аккумулятор или низкий заряд, перед уборкой полностью зарядите пылесос - Сработала защита от перегрева из-за засора посторонним предметом, удалите предмет и дайте устройству остыть до комнатной температуры - Бак для грязной воды заполнен, опустошите его - Аксессуары установлены неправильно, убедитесь в корректной установке всех компонентов
Медленная зарядка пылесоса	- Слишком высокая или низкая температура аккумулятора, дайте устройству остыть/нагреться до комнатной температуры
Слабое всасывание пылесоса	- Насадка-щетка засорилась волосами или посторонними предметами. Прочистите насадку-щетку. - Фильтр забит. Очистите фильтр - Засорен всасывающий патрубок или всасывающее отверстие. Прочистите. - ВАЛИК ИЛИ ЕМКОСТЬ ДЛЯ ГРЯЗНОЙ ВОДЫ НЕПРАВИЛЬНО УСТАНОВЛЕНЫ, ПЕРЕУСТАНОВИТЕ
Мотор издает посторонние звуки	- Бак для грязной воды полный. Очистите. - Засорено всасывающее отверстие. Прочистите. - В баке для чистой воды нет воды или он установлен неправильно. Наполните водой и переустановите бак для чистой воды.
Пылесос не подает воду	- Бак для чистой воды установлен неправильно, пожалуйста, правильно установите его, прежде чем начать уборку

## Распространенные проблемы и способы их устранения

Проблема	Причина и способ решения
Функция самоочистки не сработала	<ul style="list-style-type: none"><li>- Основная щетка заблокирована крупным посторонним предметом, пожалуйста, проверьте и очистите ее</li><li>- Низкий уровень заряда аккумулятора или устройство не заряжено. Убедитесь, что устройство заряжается на док-станции, прежде чем активировать функцию самоочистки</li><li>- Бак для грязной воды установлен неправильно или полон. Пожалуйста, опорожните бак или правильно установите его</li><li>- Бак для чистой воды установлен неправильно или в нем недостаточно воды. Пожалуйста, переустановите бак для чистой воды или наполните его достаточным количеством чистой воды</li></ul>

\*Если на индикаторе отображается код неисправности или возникают проблемы, которые вы не можете устранить самостоятельно (например, невозможность зарядить устройство, остановка работы и т.д.), немедленно свяжитесь со службой поддержки JONR: [service@jonrtech.com](mailto:service@jonrtech.com)

# JONR

Suzhou JONR Technology Co.,Ltd  
Address: Unit A0403, International Science Park Phase  
IV, 1355 Jinjihu Avenue, Suzhou Industrial Park,  
Jiangsu Province, China  
Website: <http://www.jonrtech.com>  
E-Mail: [service@jonrtech.com](mailto:service@jonrtech.com)