

SMARTCODE™

TOUCHPAD ELECTRONIC LOCKS



Quick Start Guide

3D instructions
available on



Available on BILT

Welcome to the Kwikset family!

This guide will get you up and running with your new **SmartCode™ Lock**.

If you have any issues, please visit our support center: **kwikset.com**
or call us at 1-800-327-5625.

Table of contents

| | |
|-------------------------|----|
| Parts in the box | 4 |
| Required tools | 5 |
| Installation..... | 7 |
| Programming guide | 19 |

BEFORE YOU BEGIN

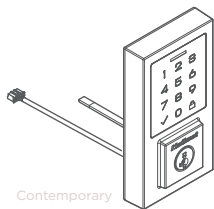


Scan for easy 3D instructions

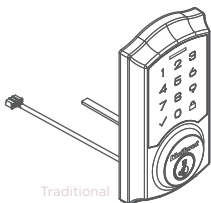
Download the BILT app before you begin



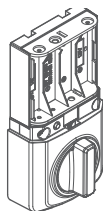
Parts in the box



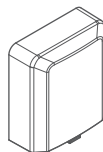
Contemporary



Traditional



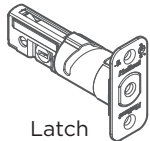
Interior assembly



Interior cover

Exterior assembly

Step 1



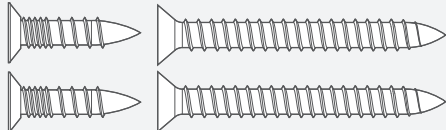
Latch



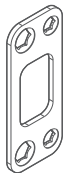
Collar

03809

*actual
size*



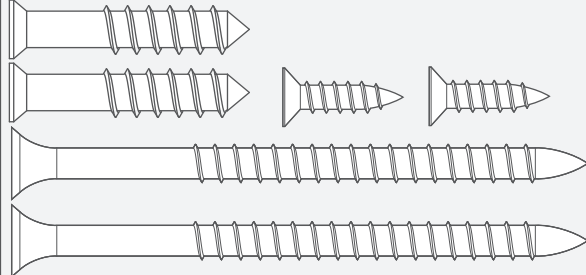
Step 2



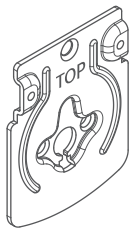
Strike

52531

*actual
size*



Step 3



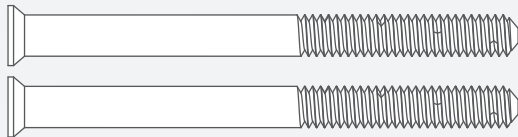
Mounting
plate



Keys

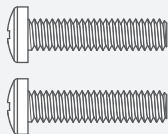
52367

*actual
size*



52502

*actual
size*



Step 4



SmartKey™ tool
with instructions

Required tools



Philips
screwdriver

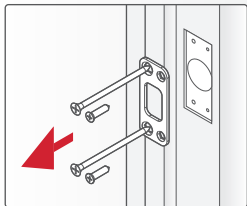
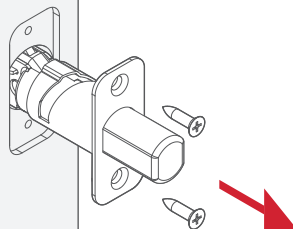
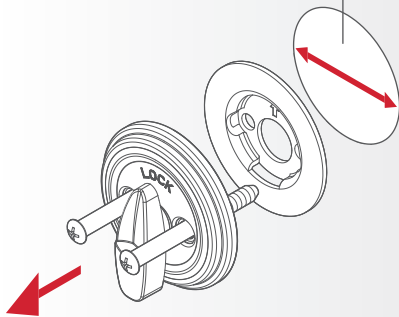
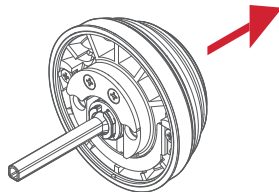
 No electric drills

Installation

! Remove your existing deadbolt and strike

1-3/8" to 1-3/4"
(35mm - 44mm)

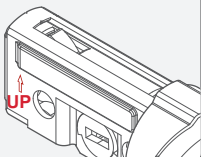
1-1/2" or 2-1/8"
(38 or 54mm)



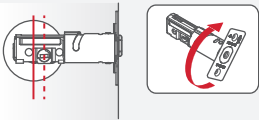
If drilling a new door, use
the supplied template and
instructions available at:
kwikset.com/doorprep

1 Install the latch

A UP is on top.



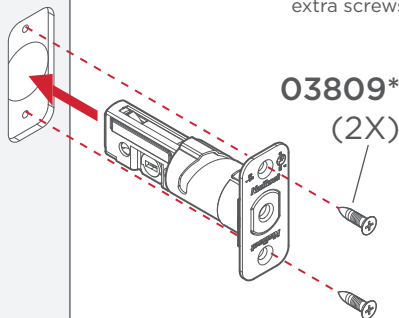
B If the rectangle shaped hole is not centered in the door hole, rotate the latch face to extend the latch.



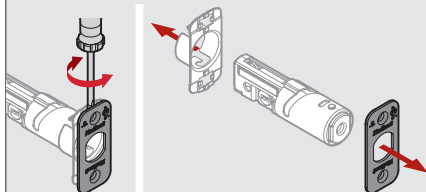
[OUTSIDE]

*Use the longer screws if the holes are worn out.

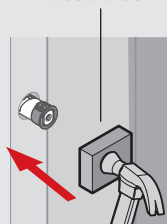
You will have two extra screws.



⚠ If your door is not chiseled, install the drive-in collar.



wood block



2 Install the strike

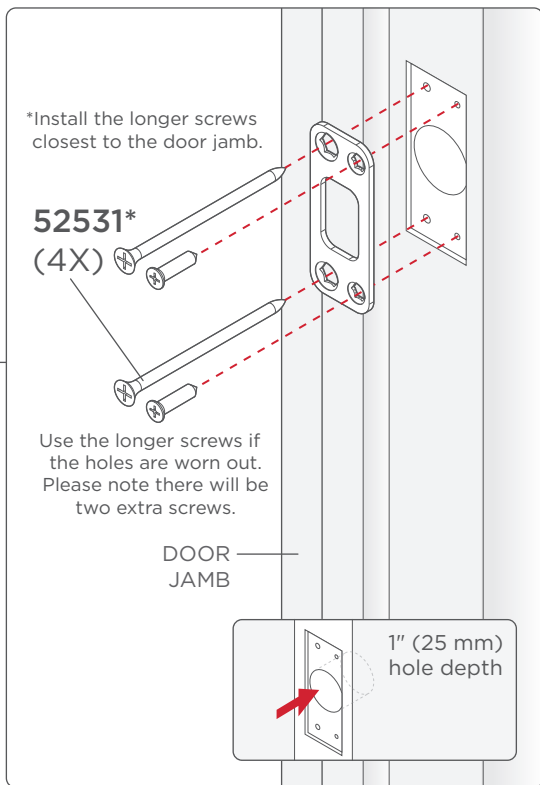
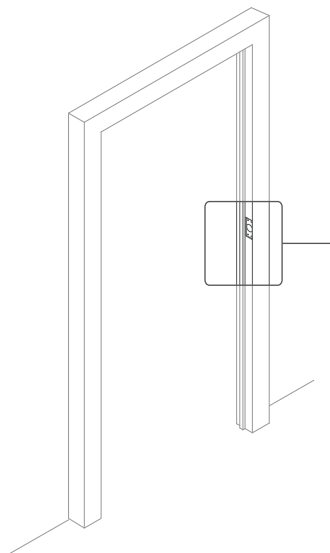
*Install the longer screws
closest to the door jamb.

52531*
(4X)

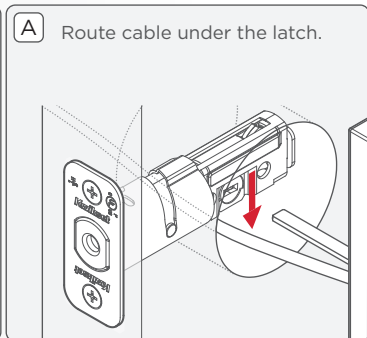
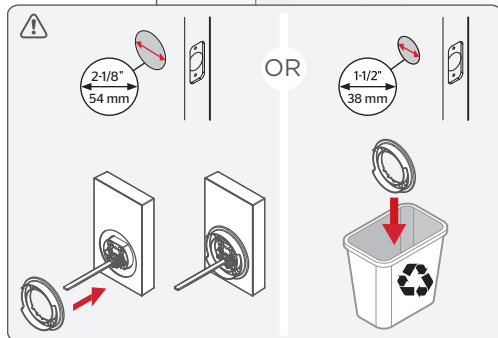
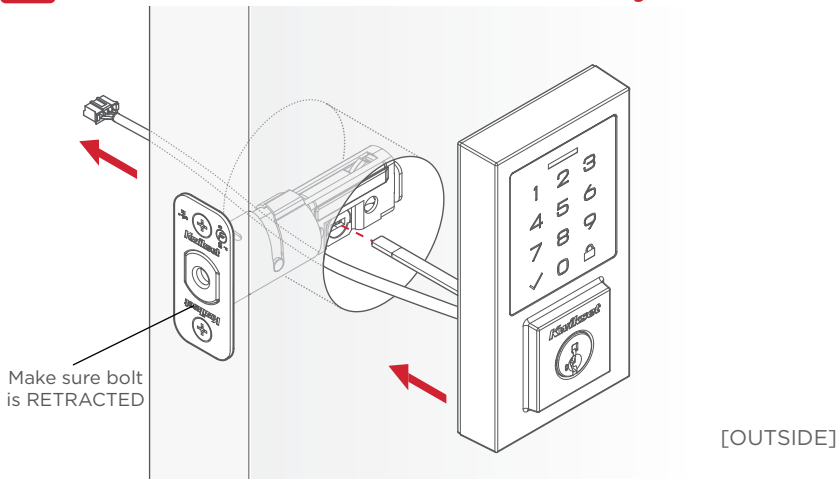
Use the longer screws if
the holes are worn out.
Please note there will be
two extra screws.

DOOR
JAMB

1" (25 mm)
hole depth



3.1 Install the exterior assembly



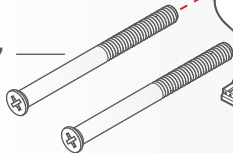
Tighten the screws evenly.
DO NOT over-tighten.



Keep parallel to
the door edge

TOP on the
mounting plate
should be visible

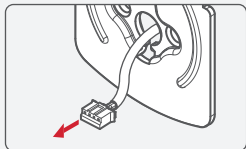
52367
(2X)



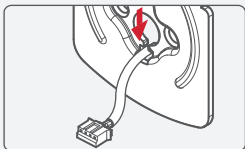
[INSIDE]

Make sure the flat
blade is centered in the
mounting plate hole.

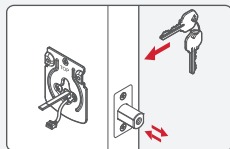
- B** Route the cable
through the
center hole of the
mounting plate.




- C** Push the cable into
the bottom hole of
the mounting plate.




- D** Insert the key and test
the latch. If the latch
does not extend or
retract smoothly, adjust
the screws. Leave bolt
LOCKED/EXTENDED.

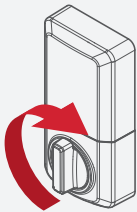


3.2 Install the interior assembly

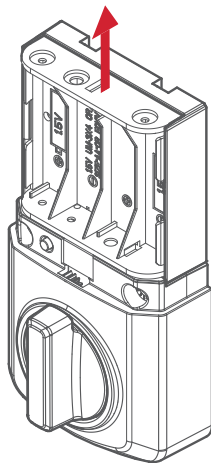
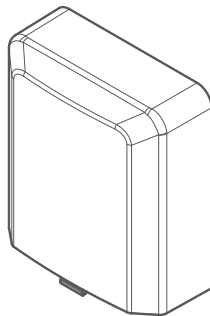
 Check to make sure the latch bolt is in the extended/locked position to install the interior assembly.



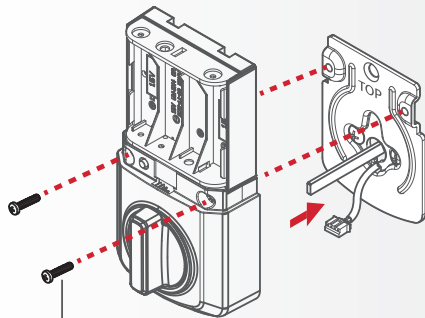
 If the turnpiece is not pointing up, rotate the turnpiece until you hear a click.



Remove the interior cover from the interior assembly.



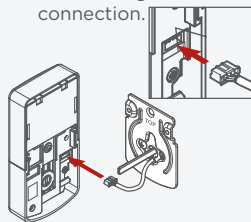
Secure the interior assembly
onto the mounting plate.



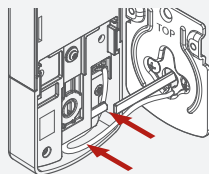
52502
(2X)

[INSIDE]

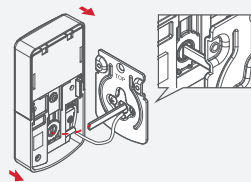
- A** Connect the cable.
Ensure a tight cable
connection.



- B** Route cable around
the side notch and
bottom of the interior
assembly.

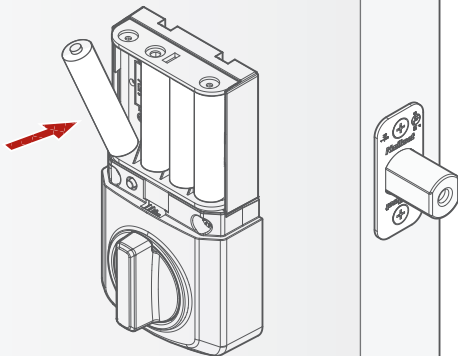


- C** Insert the flat blade
into the turnpiece shaft.



4 Install the AA batteries

Ensure the door is open while installing batteries.



Note: Batteries are not included

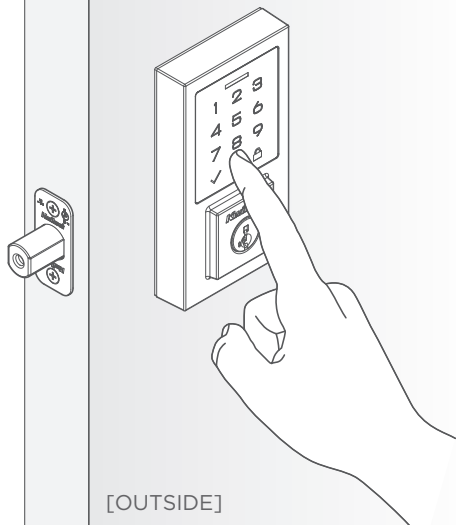
- ⚠ Ensure correct polarity. For best results, use new, non-rechargeable Alkaline batteries only.

[INSIDE]

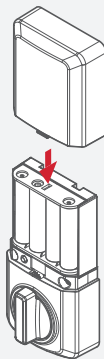
5 Add a User Code and install cover

Add a User Code per instructions on page 19.

After the first User Code is created, the latch bolt will automatically retract and extend to learn the locking and unlocking direction of the door.



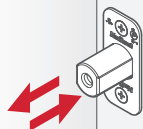
Secure the interior cover onto the interior assembly.



Bolt will extend and retract to learn the orientation of the door.

Keypad will indicate success or failure.

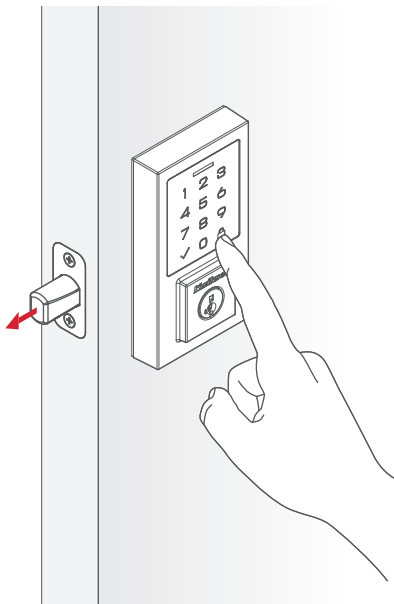
Green: Door handing was successful.
Red: Door handing was unsuccessful.
Make sure the interior and batteries are correctly installed.



⚠ Before you can lock or unlock the door a User Code must be created. Refer to page 19 for instructions on how to create a User Code.

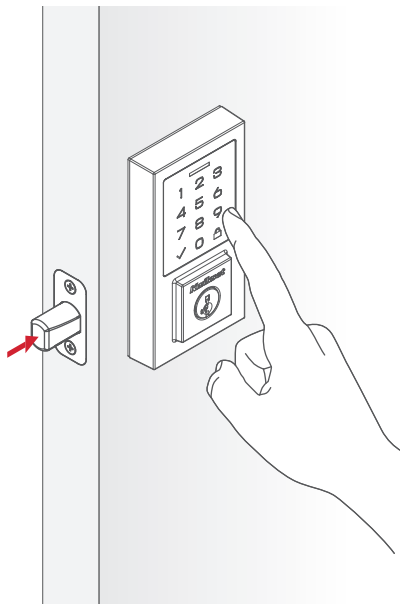
Locking

To lock your door, press the Lock button. The lock will beep and the keypad will flash amber as the bolt extends.

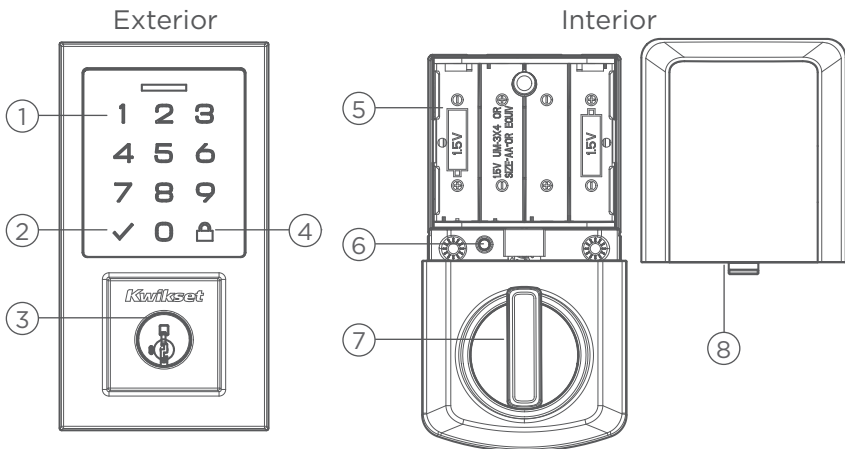


Unlocking

To unlock your door, enter the User Code. The lock will beep and the keypad will flash green and beep twice as the bolt retracts.



SmartCode™ at a Glance

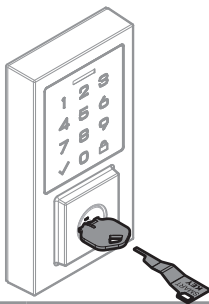


- 1. Number Buttons**
Used to enter User Codes. Each code must be 4 to 8 digits in length.
- 2. Checkmark**
Used for programming.
- 3. SmartKey Cylinder**
Rekeyable cylinder retracts and extends the latch bolt by key from the exterior.
- 4. Lock Button**
Used for programming, clearing User Code entry errors, lighting up the keypad and locking the door.
- 5. Battery Holder**
Uses 4 AA Alkaline batteries, 1.5V
- 6. Programming Button**
Used for programming functions.
- 7. Turnpiece**
Lock and unlock from the interior.
- 8. Battery Cover**
Push it upward and outward to replace the batteries.

SmartKey Re-Keying

Re-key the lock to work with your existing key. See the supplied SmartKey Re-key instructions for more information.

Note: If Auto-Lock is enabled, remove the batteries before re-keying your lock.




System Alerts

| Operation | Lights | Sounds | Explanation | Troubleshoot |
|---------------|------------------------------|----------|---------------------------------------|---|
| Unlock | Flashes GREEN x2 | 2 beeps | Successful unlock | |
| | Flashes RED x10 | 10 beeps | Low battery | Install fresh new batteries |
| | Flashes RED x 3 | 3 beeps | Incorrect User Code | Check code, and retry |
| | Flashes RED x15 | 15 beeps | Exceed 3 incorrect User Code attempts | Wait 1 minute, check code, and retry |
| Lock | Flashes AMBER x2 | 2 beeps | Successful lock | |
| | Flashes RED x10 | 10 beeps | Low battery | Install fresh new batteries |
| | Alternate RED/WHITE Flash x5 | 5 beeps | Stuck/Jammed bolt | Clear jam and try again |
| Factory Reset | Flashes GREEN x1 | 1 beep | Successful | |
| | Flashes RED x3 | 3 beeps | Unsuccessful | Retry factory reset steps. Make sure to press the Programming Button one more time within 10 seconds after the long beep. |
| Programming | Flashes GREEN x1 | 1 beep | Successful | |
| | Flashes RED x3 | 3 beeps | Unsuccessful | Review Programming steps |

Programming

Ensure the door is open before performing any programming.

The programming button is located on the interior chassis below the battery holder (refer to page 17). During programming, if no button is pressed within 5 seconds, the system will time out and you will need to restart the procedure.

| | |
|--|--|
| Add User Code (UC) | Programming Button → 1 → ✓ → enter UC → ✓ |
| Delete Individual User Codes (UC) | Programming Button → 2 → ✓ → enter UC to delete → ✓ → enter UC to delete → ✓ |
| Add/Change Programming Code (PC) | Programming Button → 3 → ✓ → enter PC → ✓ |
| Delete all User Codes | Programming Button → 4 → ✓ → 4 → ✓ |
| Enable/Disable Audio | Programming Button → 5 → ✓ |
| Enable/Disable User Codes | Programming Button → 6 → ✓ |
| Add One-time User Code | Programming Button → 7 → ✓ → enter one-time UC → ✓ |
| Change Auto-Lock Time Delay | Programming Button → 8 → ✓ → press button for delay → ✓ 1) 30 seconds 2) 1 minute 3) 3 minutes 4) 5 minutes 5) 10 minutes |
| Enable/Disable Auto-Lock | Programming Button → 9 → ✓ |
| Door Rehanding | Programming Button → 0 →  |
| Factory Reset (lock must be in unlocked position) | Press and HOLD Programming Button for 15 seconds → Programming Button again |

Programming Notes

Add User Code:

Up to 50 User Codes can be saved. User Codes should be 4 to 8 digits in length.

For security reasons, the first 4 digits of each User Code must be unique. For example, you are unable to program a User Code 1-2-3-4-5 as well as a User Code 1-2-3-4-6.

Press the lock button before entering your code to light up the keypad at night.

Enable/Disable Programming Code:

Optional: A Programming Code enables you to make programming changes without needing to access the programming button. This is ideal for landlords to allow programming from the outside without access to the interior programming button.

One Programming Code can be saved and should be 4 to 8 digits in length.

The Programming Code can not be the same as any User Code and will not unlock the lock.

To program the lock when the Programming Code is enabled, instead of pressing the programming button, enter the Programming Code, press the checkmark and proceed with the remaining steps on page 19. Repeat the programming steps to disable the Programming Code. Please note once a Programming Code is enabled, the programming button is disabled and can only be used to factory reset the lock.

Delete All User Codes:

Keypad locking function will be disabled when User Codes are deleted. The lock can only be operated manually by key during this time.

Enable/Disable Audio:

LED status indicator will still function once audio is disabled. Repeat the programming steps to enable the audio.

Programming Notes

Enable/Disable User Codes:

When all User Codes are disabled, all electronic functions will be disabled as well. The door must be locked or unlocked manually with the key. Repeat the programming steps to enable the User Codes.

Add One-Time Use Code:

Up to 10 One-time User Codes can be saved. One-time User Codes should be 4 to 8 digits in length. The One-Time User Code will be deleted automatically after it is used. The same One-Time User Code can be created again after it's used.

Change Auto-Lock Time Delay:

Press the keypad number that corresponds to your time delay preference:

"1": 30 seconds "2": 1 minute "3": 3 minutes "4": 5 minutes "5": 10 minutes

Enable/Disable AutoLock:

The default setting is disabled. Once you enable auto-lock the default setting is set to 30 seconds.

To change the auto lock time delay, see the "Change Auto-Lock Time Delay" programming step.

Repeat the programming steps to disable auto-lock.

Door Rehandling Identification:

Perform this process for the lock to learn the locking and unlocking direction of the door.

This feature is used for the lock to learn the orientation of your door (left- or right-handed). If stuck/jammed bolt error continues to occur after performing this step, please make sure there is no obstruction from strike or door jamb to prevent the bolt from extending.

Factory Reset:

A factory reset will delete all User Codes and change all programming to factory settings.

Important Safeguards

1. Read all instructions in their entirety.
2. Familiarize yourself with all warning and caution statements.
3. Remind all family members of safety precautions.
4. Always have access to your lock's standard key.
5. If using the Auto-Lock features, make sure you have your smartphone or standard key with you to prevent locking yourself out.
6. Familiarize yourself with the system alerts.
7. Replace low batteries immediately.
8. Dispose of used batteries according to local laws and regulations.

⚠ WARNING: This Manufacturer advises that no lock can provide complete security by itself. This lock may be defeated by forcible or technical means, or evaded by entry elsewhere on the property. No lock can substitute for caution, awareness of your environment, and common sense. Builder's hardware is available in multiple performance grades to suit the application. In order to enhance security and reduce risk, you should consult a qualified locksmith or other security professional.

⚠ CAUTION: Prevent unauthorized entry. Since anyone with access to the back panel can change the User Codes, you must restrict access to the back panel and routinely check the User Codes to ensure they have not been altered without your knowledge. The use of a programming code can help protect your system's settings.

Regulatory Compliance

This product complies with standards established by the following regulatory bodies:

- Federal Communications Commission (FCC)
- Industry Canada

FCC

This device complies with Part 15 of the FCC Rules. Operation is subject to the following two conditions:

(1) this device may not cause harmful interference, and (2) this device must accept any interference received, including interference that may cause undesired operation.

This equipment has been tested and found to comply with the limits for a Class B digital device, pursuant to Part 15 of the FCC Rules. These limits are designed to provide reasonable protection against harmful interference in a residential installation.

This equipment generates, uses, and can radiate radio frequency energy

and, if not installed and used in accordance with the instructions, may cause harmful interference to radio communications. However, there is no guarantee that interference will not occur in a particular installation. If this equipment does cause harmful interference to radio or television reception, which can be determined by turning the equipment off and on, the user is encouraged to try to correct the interference by one or more of the following measures:

- Reorient or relocate the receiving antenna.
- Increase the separation between the equipment and receiver.
- Connect the equipment into an outlet on a circuit different from that to which the receiver is connected.
- Consult the dealer or an experienced radio/TV technician for help.

IMPORTANT! Changes or modifications not expressly approved by the manufacturer could void the user's authority to operate the equipment.

Industry Canada

This device contains licence-exempt transmitter(s)/receiver(s) that comply with Innovation, Science and Economic Development Canada's licence-exempt RSS(s). Operation is subject to the following two conditions: (1) This device may not cause interference, and (2) This device must accept any interference, including interference that may cause undesired operation of the device.

Medidas de protección importantes

1. Lea todas las instrucciones en su totalidad.

2. Familiarícese con todas las declaraciones de

advertencia y precaución.

3. Recuerde a todos los miembros de la familia las precauciones de seguridad.

4. Siempre tenga acceso a la llave estándar de su

cerradura.

5. Si usa las funciones de bloqueo automático,

asegúrese de tener su teléfono inteligente o llave estándar para evitar bloquearse.

6. Familiarízate con las alertas del sistema.

7. Reemplace las baterías bajas de inmediato.

8. Deseche las baterías usadas de acuerdo con las



ADVERTENCIA: Este fabricante hace saber que no hay cerrojos que puedan proporcionar completa seguridad por sí mismos. Puede hacerse por que (a) este cerrojo forzado o utilizando medios técnicos, o puede evadirse entrando por otra parte de la propiedad. No hay cerrojos que puedan hacer de sustitutos para la precaución, el estar al tanto del entorno, y el sentido común. Pueden obtenerse piezas de ferretería de constructor con diversos grados de rendimiento para ajustarse a la aplicación. Para realizar la seguridad y reducir los riesgos, debe consultar con un cerrajero capacitado u otro profesional de seguridad.



PRECAUCIÓN: Evite la entrada no autorizada. Dado que cualquier persona con acceso al panel posterior puede cambiar los códigos de usuario, debe restringir el acceso al panel posterior y verificar de forma rutinaria los códigos de usuario para asegurarse de que no se hayan alterado sin su conocimiento. El uso de un código de programación puede ayudar a proteger la configuración de su sistema.

Cumplimiento Normativo

Este producto cumple con las normas

establecidas por los siguientes

organismos reguladores:

- Comisión Federal de

- Comunicaciones (FCC)

- Industria de Canadá

FCC

Este dispositivo cumple con la 15ª

parte del reglamento de la FCC. Su

funcionamiento está sujeto a las

siguientes dos condiciones: (1) este

dispositivo no deberá causar ninguna

interferencia dañina, y (2) este

dispositivo deberá aceptar cualquier

interferencia recibida, incluyendo aquella

que podrá causar un funcionamiento

no deseado.

Se realizaron pruebas a este equipo

cuyos resultados revelaron que cumple

con los límites establecidos para

un dispositivo digital de la Clase B,

de la FCC. Estos límites han sido

impuestos para proporcionar protección

razonable contra interferencias

dañinas en una instalación residencial.

Este equipo genera, utiliza y puede

irradiar energía de radiofrecuencia

Y, si no se instala y utiliza según lo

que indica en las instrucciones, podría

causar interferencia dañina en

radiocomunicaciones. Sin embargo, no

hay garantía de que la interferencia

ocurrirá en determinadas instalaciones.

Si este equipo efectivamente causa

interferencia en la recepción de radio o

televisión, la cual puede determinarse

entendiendo y apagando el equipo,

sugerimos al usuario que intente corregir

dicha interferencia tomando una o más

de las siguientes medidas:

- Volver a orientar o ubicar la antena

- Incluir y el receptor.

- Incrementar la distancia entre el

- Conectar el equipo a una toma de

- corriente en un circuito distinto del

- receptor.

- Consultar con el distribuidor o

- un técnico de radio y TV con

- experiencia para obtener su ayuda.

IMPORTANTE! Todo cambio o

modificación no aprobada expresamente

por el fabricante podría deteriorar al

usuario para operar el equipo.

Este dispositivo contiene transmisor

ilicencia y receptor (es) exento (s) de

ilicencia de Canadá

Este dispositivo cumple con los RSS (s) exentos de

licencia de innovación, Ciencia y

Desarrollo Económico de Canadá.

El funcionamiento está sujeto a

las dos condiciones siguientes: (1)

este dispositivo no puede causar

interferencia y (2) este dispositivo debe

aceptar cualquier interferencia, incluida

la interferencia que pueda causar

dispositivo.

Notas de programación

Activar / desactivar códigos de usuario:

Cuando todos los códigos de usuario están deshabilitados, también se deshabilitarán todas las funciones electrónicas. La puerta debe bloquearse o desbloquearse manualmente con la llave. Repita los pasos de programación para habilitar los códigos de usuario.

Agregar código de usuario de una sola vez:

Se pueden guardar hasta 10 códigos de usuario de un solo uso. El código de usuario de un solo uso debe tener de 4 a 8 dígitos. El código de un solo uso se eliminará automáticamente después de su uso. El mismo código de un solo uso se puede crear nuevamente después de su uso.

Cambiar el retardo de tiempo de bloqueo automático:

Presione el número del teclado que corresponda a su preferencia de retardo de tiempo: "1": 30 segundos "2": 1 minuto "3": 3 minutos "4": 5 minutos "5": 10 minutos

Activar / desactivar AutoLock:

La configuración predeterminada está desactivada. Una vez que habilita el bloqueo automático, la configuración predeterminada se establece en 30 segundos. Para cambiar el tiempo de retardo de bloqueo automático, consulte el paso de programación "Cambiar el retardo de tiempo de bloqueo automático". Repita los pasos de programación para deshabilitar el bloqueo automático.

Identificación de renovación de puertas:

Realice este proceso para que la cerradura aprenda la dirección de bloqueo y desbloqueo de la puerta.

Esta función se utiliza para que la cerradura aprenda la orientación de su puerta (para zurdos o diestros). Si el error del perno atascado / atascado continúa ocurriendo después de realizar este paso, asegúrese de que no haya ninguna obstrucción por el cerrojo o la jamba de la puerta para evitar que el perno se extienda.

Restablecimiento de fábrica:

Un restablecimiento de fábrica eliminará todos los códigos de usuario y cambiará toda la programación a la configuración de fábrica.

Notas de programación

Agregar un código de usuario:

Se pueden guardar hasta 50 códigos de usuario. Los códigos de usuario deben tener de 4 a 8 dígitos.

Por razones de seguridad, los primeros 4 dígitos de cada código de usuario deben ser únicos. Por ejemplo, no puede programar un código de usuario 1-2-3-4-5 ni un código de usuario 1-2-3-4-6.

Presione el botón de bloqueo antes de ingresar su código para iluminar el teclado por la noche.

Activar / desactivar código de programación:

Opcional: un código de programación le permite realizar cambios de programación sin necesidad de acceder al botón de programación. Esto es ideal para que los propietarios permitan la programación desde el exterior sin acceso al botón de programación interior.

Se puede guardar un código de programación que debe tener de 4 a 8 dígitos. El código de programación no puede ser el mismo que ningún código de usuario y no desbloqueará la cerradura.

Para programar el bloqueo cuando el Código de Programación está habilitado, en lugar de presionar el Botón de Programación, ingrese el Código de Programación, presione la marca de verificación y continúe con los pasos restantes en la página 19. Repita los pasos de programación para deshabilitar el Código de Programación. Tenga en cuenta que una vez que se habilita un código de programación, el botón de programación se deshabilita y solo se puede usar para restablecer la cerradura de fábrica.

Eliminar todos los códigos de usuario:

La función de bloqueo del teclado se desactivará cuando se eliminen los códigos de usuario. La cerradura solo se puede operar manualmente con llave durante este tiempo.

Activar / desactivar audio:

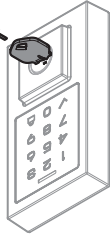
El indicador de estado LED seguirá funcionando una vez que se desactive el audio. Repita los pasos de programación para habilitar el audio.

Cambio de clave de Smartkey

Vuelva a poner la llave en la cerradura para que funcione con su llave existente. Para obtener más información, consulte las instrucciones de cambio de clave de Smartkey suministradas.

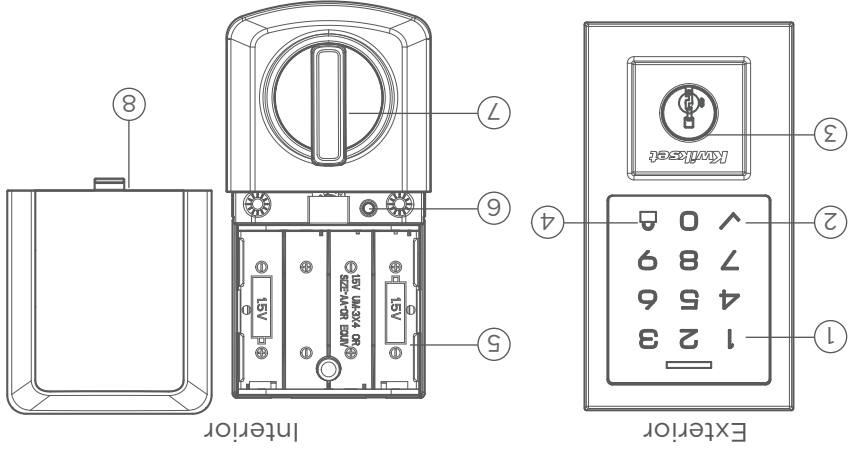
Nota: Si el bloqueo automático está habilitado, retire las baterías antes de cambiar la clave de sus cerraduras.

Alertas del sistema



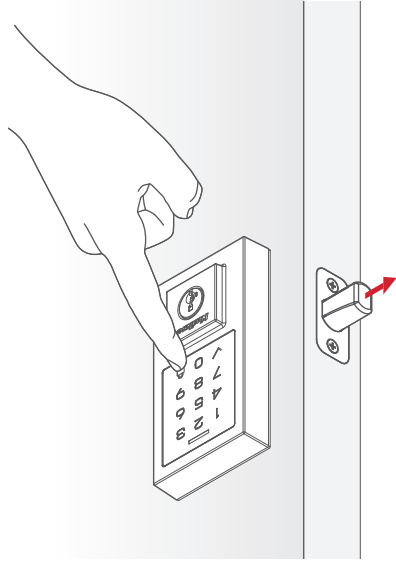
| Operación | Luces | Sonidos | Explicación | Solucionar problemas |
|-----------------------------|-------------------------------------|------------|--|--|
| Desbloquear | Parpadea VERDE x2 | 2 pitidos | Desbloqueo exitoso | |
| | Parpadea ROJO x10 | 10 pitidos | Batería baja | Instale baterías nuevas y frescas |
| | Parpadea ROJO x 3 | 3 pitidos | Código de usuario incorrecto | Verifique el código y vuelva a intentarlo |
| | Parpadea ROJO x15 | 15 pitidos | Supere 3 intentos incorrectos de código de usuario | Esperar 1 minuto, verifique el código y vuelva a intentarlo |
| Cerrar | Parpadea Ambar x2 | 2 pitidos | Bloqueo exitoso | |
| | Parpadea ROJO x10 | 10 pitidos | Batería baja | Instale baterías nuevas y frescas |
| | Parpadea alternativo ROJO/BLANCO x5 | 5 pitidos | Perno atascado | Elimina el atasco y vuelve a intentarlo |
| Restablecimiento de fábrica | Parpadea Ambar x2 | 2 pitidos | Bloqueo exitoso | |
| | Parpadea ROJO x3 | 3 pitidos | Fracasado | Vuelva a intentar los pasos de restablecimiento de fábrica. Asegúrese de presionar el botón de programación una vez dentro de los 10 segundos posteriores al pitido largo. |
| Programación | Parpadea VERDE x1 | 1 pitido | Exitoso | |
| | Parpadea ROJO x3 | 3 pitidos | Fracasado | Revisar los pasos de programación |

Una mirada rápida sobre SmartCode™



1. Botones Numéricos
Usa para ingresar códigos de usuario.
Cada código debe tener de 4 a 8 dígitos.
2. Marca de verificación
Utilizado para programación.
3. Cilindro SmartKey
El cilindro con llave retrae y extiende el pestillo con llave desde el exterior.
4. Botón de Bloqueo
Se utiliza para programar, borrar errores de entrada de código de usuario, encender el teclado y bloquear la puerta.

5. Paquete de Baterías
Utiliza 4 pilas alcalinas AA, 1,5 V
6. Botón de Programación
Utilizado para funciones de programación.
7. Perilla
Bloquear y desbloquear desde el interior.
8. Tapa de la Batería
Empújelo hacia arriba y hacia afuera para reemplazar las baterías.



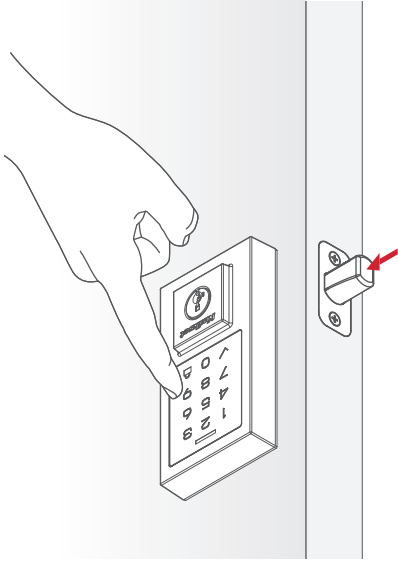
Para bloquear su puerta, presione el botón Bloquear. La cerradura emitirá un pitido y el teclado parpadeará en ámbar a medida que se extienda el cerrojo.

Bloqueo

⚠ Antes de que pueda bloquear o desbloquear la puerta, debe crear un código de usuario. Consulte la página 19 para obtener instrucciones sobre cómo crear un código de usuario.

Desbloqueo

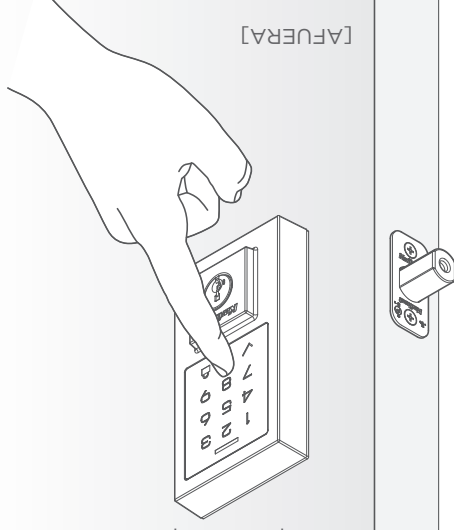
Para desbloquear su puerta, ingrese el código de usuario. La cerradura emitirá un pitido y el teclado parpadeará en verde y emitirá dos pitidos cuando el cerrojo se retraiga.



5 Agregar un código de usuario e instalar la cubierta

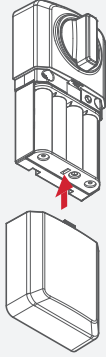
Agrege un código de usuario según las instrucciones de la página 19.

Después de que se crea el primer código de usuario, el pestillo se retraerá y extenderá automáticamente para aprender la dirección de bloqueo y desbloqueo de la puerta.



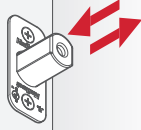
[AFUERA]

Asegure la cubierta interior en el ensamblaje interior.



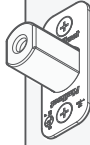
El cerrojo se extenderá y retraerá para aprender la orientación de la puerta. El teclado indicará éxito o no éxito.

Verde: La entrega de la puerta fue exitosa. Rojo: La entrega de la puerta fue no exitosa. Asegúrese de que el interior y las baterías estén instaladas correctamente.

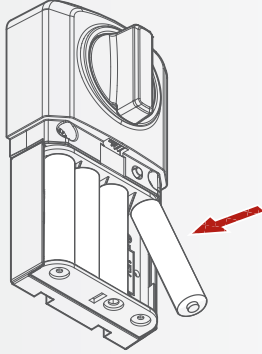


Instale las baterías AA

4



Asegúrese de que la puerta esté abierta mientras instala las baterías.

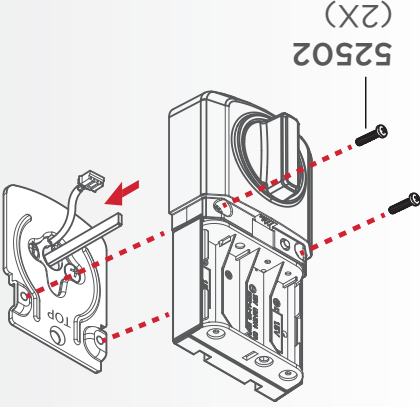


Nota: Baterías no están incluidas

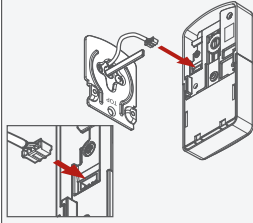
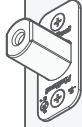
⚠ Asegure la polaridad correcta. Para obtener los mejores resultados, utilice únicamente pilas alcalinas nuevas no recargables.

[ADENTRO]

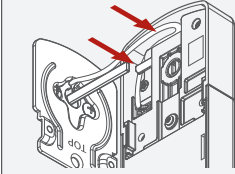
[ADENTRO]



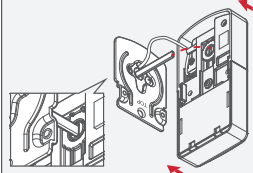
Asegure el ensamblaje interior en la placa de montaje.



A Asegúrese de que la conexión sea firme.

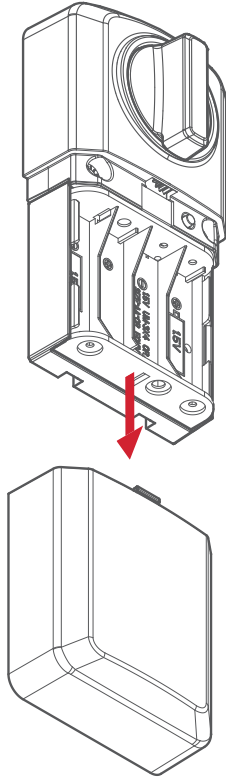


B Pase el cable alrededor de la muesca lateral y la parte inferior del conjunto interior.



C Inserte la hoja plana en el eje de la pieza de giro.

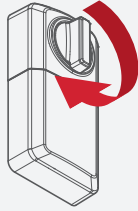
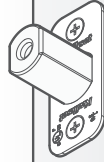
3.2 Instale el ensamble interior



Retire la cubierta interior del ensamble interior.

Verifique para asegurarse de que el perno del pestillo esté en la posición extendida / bloqueada para instalar el conjunto interior.

Si el eje de la pieza de giro no apunta hacia arriba, gírelo hasta que escuche un clic.



Apreté los tornillos de manera uniforme.

NO apriete demasiado.



El lado etiquetado TOP debe ser visible

52367 (2X)

[ADENTRO]

Asegúrese de que la hoja plana esté centrada en el orificio de la placa de montaje.

Mantenga paralelos al borde de la puerta.



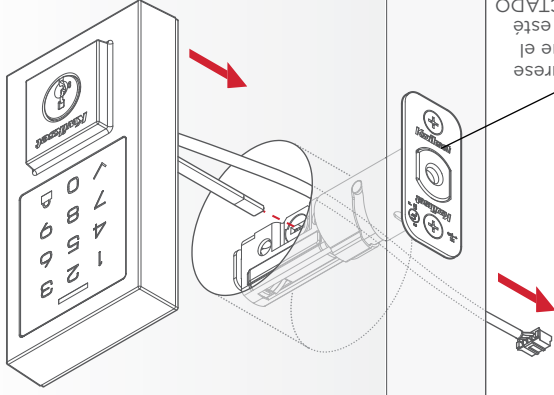
B Pase el cable a través del orificio central de la placa de montaje.

C Empuje el cable en el orificio inferior de la placa de montaje.

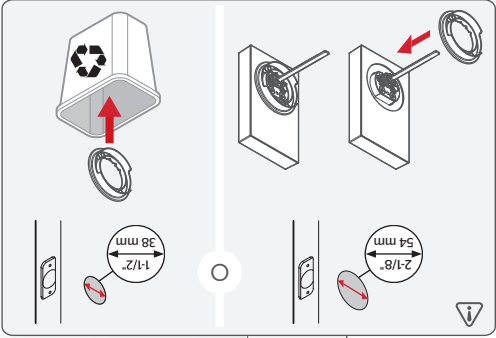
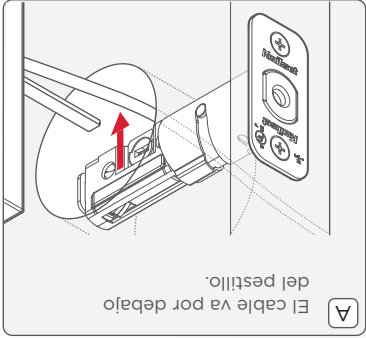
D Inserte la llave y pruebe se extiende o se retrae suavemente, ajuste los tornillos. Deje el cerrojo BLOQUEADO/EXTENDIDO.

3.1 Instale el ensamble exterior

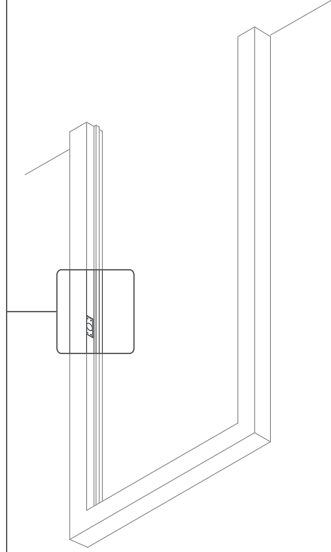
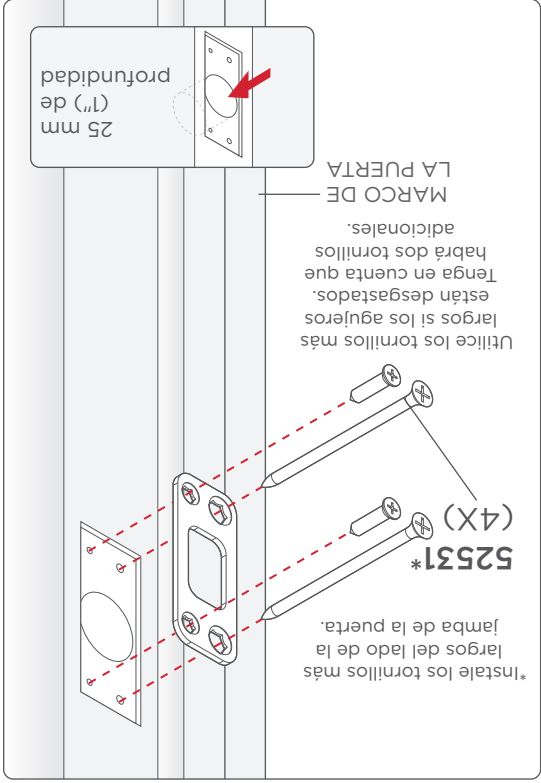
[AFUERA]



Asegúrese
de que el
perno esté
RETRACTADO



2 Instale la placa

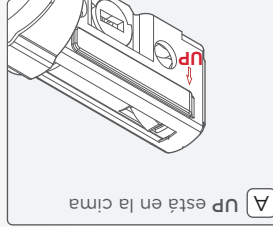
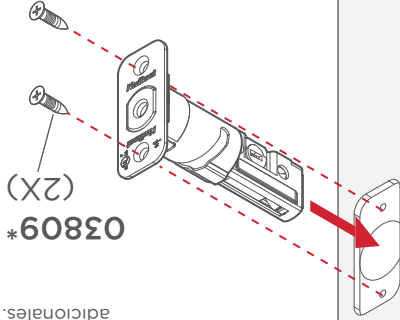


1 Instale el pestillo

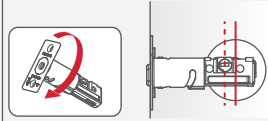
[AFUERA]

*Use tornillos más largos si los agujeros están desgastados.
Tendrás dos tornillos adicionales.

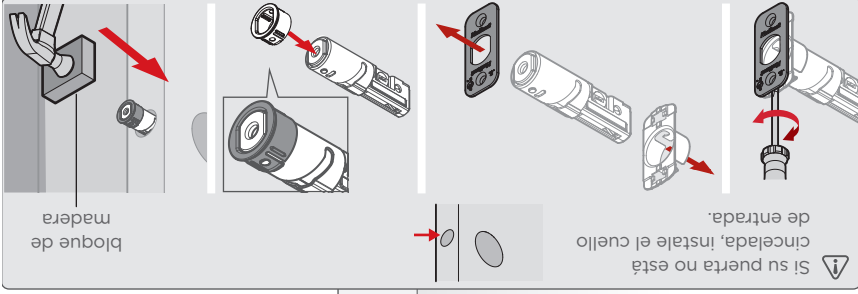
03809*
(2X)



B Si el orificio en forma de rectángulo no está centrado en el orificio de la puerta, gire la cara del pestillo para extenderlo.



! Si su puerta no está cincelada, instale el cuello de entrada.

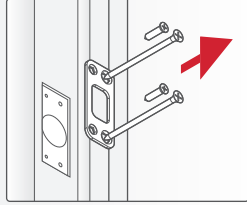
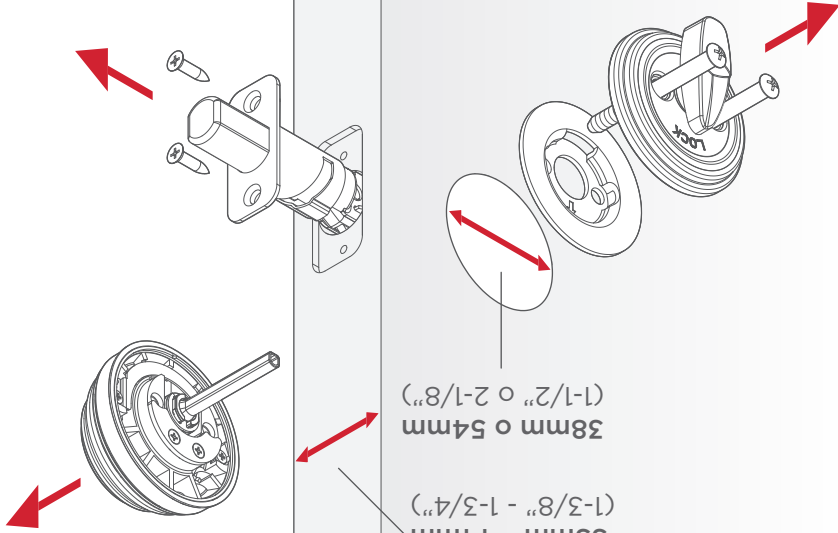


Retire su cerrojo y placa existentes

i

38mm o 54mm
(1-1/2" o 2-1/8")

35mm - 44mm
(1-3/8" - 1-3/4")



Si perfora una puerta nueva,
use la plantilla suministrada
y las instrucciones
disponibles en:
kwikset.com/doorprep



Instalación

Herramientas necesarias



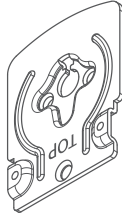
Destornillador
estrella

No taladros eléctricos



Step 3

Placa de
montaje

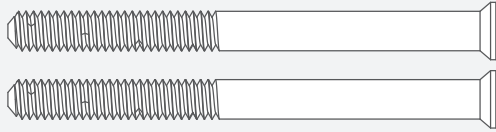


Llaves



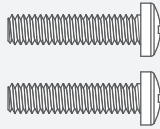
52367

tamaño
real



52502

tamaño
real

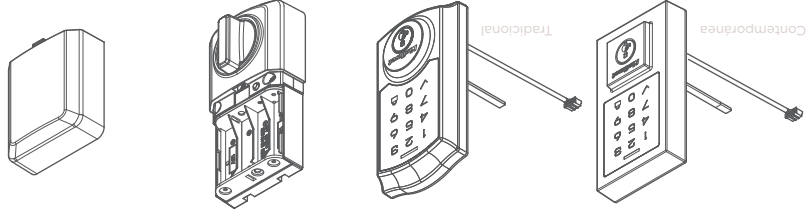


Step 4

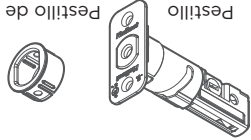
Herramienta
SmartKey™



Piezas en la caja



Paso 1

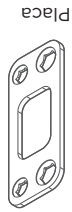


03809

tamaño real

This block shows four screws of size 03809. Two are long screws with a wide, flat head, and two are shorter screws with a similar head. The text 'tamaño real' indicates the actual size of the screws.

Paso 2



52531

tamaño real

This block shows five screws of size 52531. Three are long screws with a wide, flat head, and two are shorter screws with a similar head. The text 'tamaño real' indicates the actual size of the screws.

Tabla de Contenido

| | |
|-------------------------------|----|
| Piezas en la caja | 4 |
| Herramientas necesarias | 5 |
| Instalación | 7 |
| Guía de Programación..... | 19 |



ANTES DE COMENZAR



Escanea para instrucciones fáciles en 3D
Descargue la aplicación BILT antes de comenzar



¡Bienvenido a la familia Kwikset!

Esta guía lo pondrá en funcionamiento con su nueva cerradura inteligente con huella digital **Bloqueo SmartCode™**.

Si tiene algún problema, visite nuestro centro de soporte: **kwikset.com** o llámenos al 1-800-327-5625.



Guía de Inicio Rápido



CERRADURAS ELECTRÓNICAS CON PANEL TÁCTIL

SMARTCODE™

Kwikset

English/Spanish

52438-001
Rev 03