

# FRIGIDAIRE

# Use & Care

## TABLE OF CONTENTS

Important Safety Instructions.....	2	Temperature Controls .....	7
Installation .....	4	Features .....	8
Door Reversal Instructions .....	5	Care and Cleaning .....	9
Energy Saving Tips.....	6	Before you Call.....	10
		Major Appliance Warranty .....	12



# SERIAL/MODEL #'S - IMPORTANT SAFETY INSTRUCTIONS

## Read and Save These Instructions

This Owner's Guide provides specific operating instructions for your model. Use your Wine Cooler only as instructed in this guide. These instructions are not meant to cover every possible condition and situation that may occur. Common sense and caution must be practiced when installing, operating, and maintaining any appliance.

## Record Your Model and Serial Numbers

Record the model and serial numbers in the space provided below. The serial plate is located on the upper left wall inside the Wine Cooler.

**Model Number:** \_\_\_\_\_


**Serial Number:** \_\_\_\_\_

**Purchase Date:** \_\_\_\_\_

### **WARNING**

Please read all instructions before using this Beverage Cooler.

## Definitions

 This is the safety alert symbol. It is used to alert you to potential personal injury hazards. Obey all safety messages that follow this symbol to avoid possible injury or death.

### **DANGER**

DANGER indicates an imminently hazardous situation which, if not avoided, will result in death or serious injury.

### **WARNING**

WARNING indicates a potentially hazardous situation which, if not avoided, could result in death or serious injury.

### **CAUTION**

CAUTION indicates a potentially hazardous situation which, if not avoided, may result in minor or moderate injury.

### **IMPORTANT**

IMPORTANT indicates installation, operation or maintenance information which is important but not hazard-related.

### **DANGER**



**DANGER Risk of fire or explosion. Flammable refrigerant used. Do not use mechanical devices to defrost refrigerator. Do not puncture refrigerant tubing.**

**DANGER Risk of fire or explosion. Flammable refrigerant used. To be repaired only by trained service personnel. Do not puncture refrigerant tubing.**

### **CAUTION**



**CAUTION Risk of fire or explosion. Flammable refrigerant used. Consult repair manual/ owner's guide before attempting to service this product. All safety precautions must be followed.**

**CAUTION Risk of fire or explosion. Dispose of property in accordance with federal or local regulations. Flammable refrigerant used.**

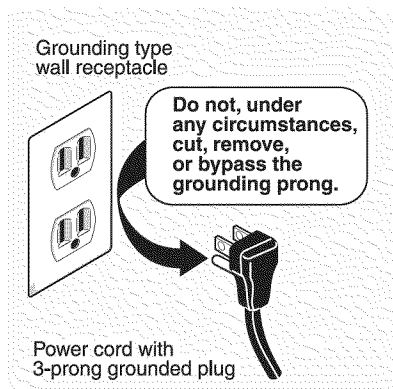
**CAUTION- Risk of fire or explosion due to puncture of refrigerant tubing ; Follow handling instructions carefully. Flammable refrigerant used.**

# IMPORTANT SAFETY INSTRUCTIONS

## WARNING

### Electrical Information

- **The wine cooler must be plugged into its own dedicated 115 Volt, 60 Hz., 15 Amp, AC only electrical outlet.** The power cord of the appliance is equipped with a three-prong grounding plug for your protection against electrical shock hazards. It must be plugged directly into a properly grounded three prong receptacle. The receptacle must be installed in accordance with local codes and ordinances. Consult a qualified electrician. Avoid connecting refrigerator to a Ground Fault Interruptor (GFI) circuit. **Do not use an extension cord or adapter plug.**
- If the power cord is damaged, it should be replaced by an authorized service technician to prevent any risk.
- Never unplug the wine cooler by pulling on the power cord. Always grip the plug firmly, and pull straight out from the receptacle to prevent damaging the power cord.
- Unplug the wine cooler before cleaning and before replacing a light bulb to avoid electrical shock.
- Performance may be affected if the voltage varies by 10% or more. Operating the wine cooler with insufficient power can damage the compressor. Such damage is not covered under your warranty.
- Do not plug the unit into an electrical outlet controlled by a wall switch or pull cord to prevent the wine cooler from being turned off accidentally.



## WARNING

### Child Safety

- Destroy carton, plastic bags, and any exterior wrapping material immediately after the wine cooler is unpacked. Children should never use these items to play. Cartons covered with rugs, bedspreads, plastic sheets or stretch wrap may become airtight chambers, and can quickly cause suffocation.
- Remove all staples from the carton. Staples can cause severe cuts, and destroy finishes if they come in contact with other appliances or furniture.
- An empty, discarded wine cooler is a very dangerous attraction to children.
- Remove the door(s) of any appliance that is not in use, even if it is being discarded.

## WARNING

### Proper Disposal of your Wine Cooler

#### Risk of child entrapment

Child entrapment and suffocation are not problems of the past. Junked or abandoned wine coolers are still dangerous – even if they will sit for “just a few days”. If you are getting rid of your old wine cooler, please follow the instructions below to help prevent accidents.

We strongly encourage responsible appliance recycling/disposal methods. Check with your utility company or visit [www.recyclemyoldfridge.com](http://www.recyclemyoldfridge.com) for more information on recycling your old wine cooler.

#### Before you throw away your old wine cooler:

- Remove doors.
- Leave shelves in place so children may not easily climb inside.
- Have refrigerant removed by a qualified service technician.

# INSTALLATION

This Use & Care Guide provides general operating instructions for your model. Use the appliance only as instructed in this Use & Care Guide. **Before starting the wine cooler, follow these important first steps.**

## Location

- Choose a place that is near a grounded electrical outlet. **Do Not** use an extension cord or an adapter plug.
- For optimal performance, it is recommended that you install the wine cooler where the ambient temperature is between 70 and 78 degrees fahrenheit.
- Allow space around the unit for good air circulation. Leave a 2 inch space on the back and sides of the wine cooler for adequate circulation.
- Be sure the wine cooler stays in the upright position during transport.
- Keep the wine cooler from any hazardous or combustible agents.

## NOTE

The exterior walls of the wine cooler may become quite warm as the compressor works to transfer heat from the inside. Temperatures as much as 30° F warmer than room temperature can be expected. For this reason it is particularly important in hotter climates to allow enough space for air circulation around your wine cooler.

## Leveling

The wine cooler must have all bottom corners resting firmly on solid floor. The floor must be strong enough to support a fully loaded wine cooler. **NOTE:** It is Very Important for your wine cooler to be level in order to function properly. If the wine cooler is not leveled during installation, the door may be misaligned and not close or seal properly, causing cooling, frost, or moisture problems.

### To Level Your Wine Cooler:

After removing all interior and exterior packaging materials, use a carpenter's level to level the wine cooler from front-to-back. Adjust the leveling legs in front, 1/2 bubble higher, so that the door closes easily when left halfway open.

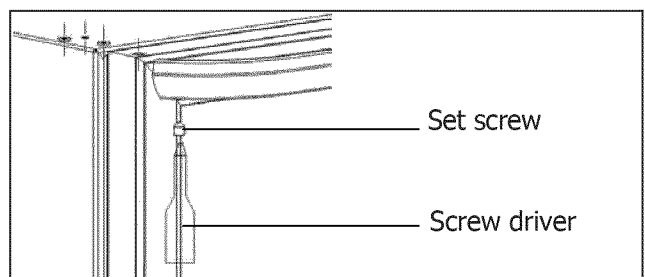
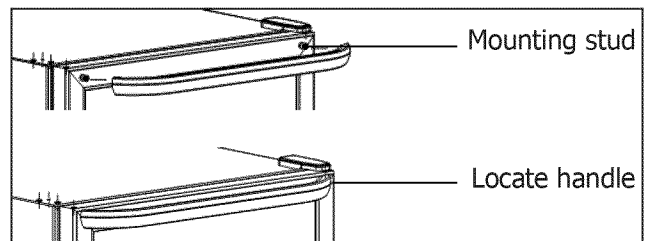
## Cleaning

- Wash any removable parts of the wine cooler interior, and exterior with mild detergent and warm water. Wipe dry. Do not use harsh cleaners on these surfaces.
- Do not use razor blades or other sharp instruments, which can scratch the appliance surface when removing adhesive labels. Any glue left from the tape can be removed with a mixture of warm water and mild detergent, or touch the residue with the sticky side of tape already removed. Do not remove the serial plate.

**Important Safeguards:** Do not store food in your wine cooler as interior temperature may not get cool enough to prevent spoilage. In summer months or areas of high humidity, the glass door may build up moisture. To remove the moisture, wipe it away.

## Handle Installation

1. Set handle over the two mounting studs at top of door.
2. Use hex head screw driver or allen wrench to tighten set screws from bottom to secure handle to door.



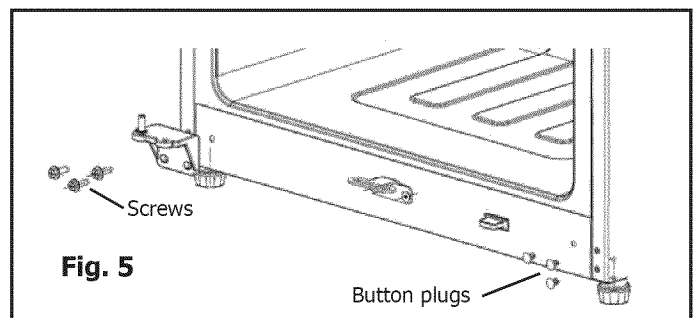
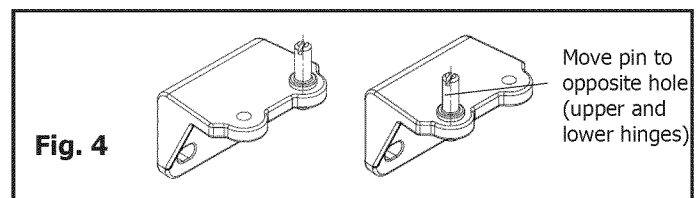
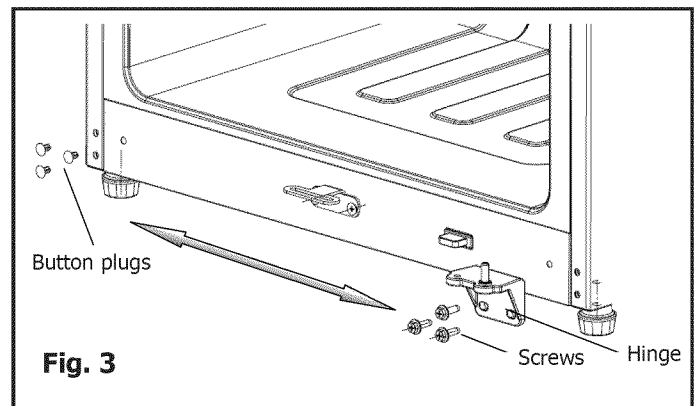
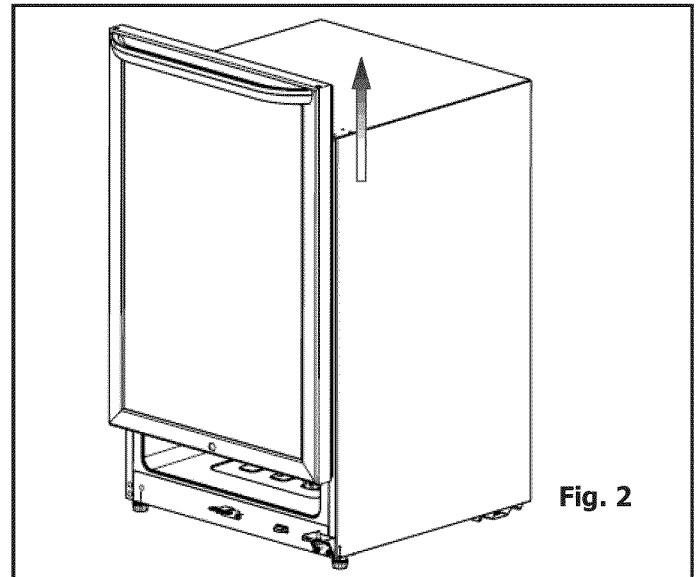
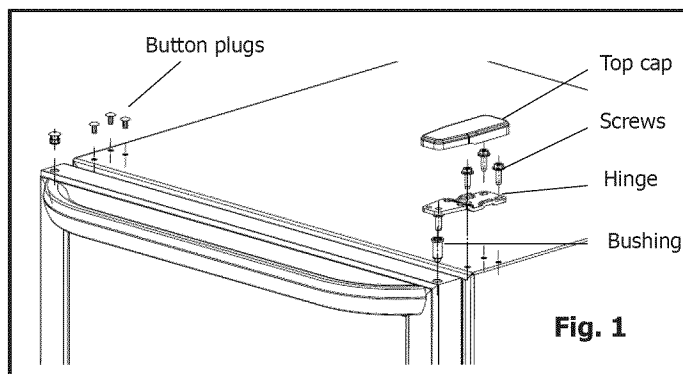
## Reversing the door swing

The glass door can be opened from left to right and vice versa. Should you desire to change the opening direction, please follow these instructions.

### NOTE

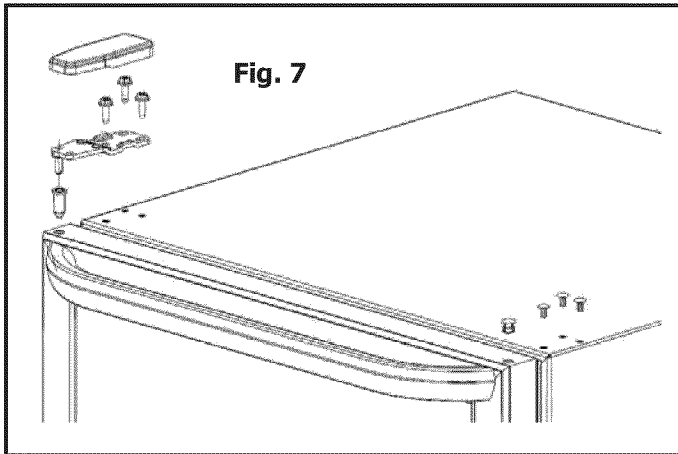
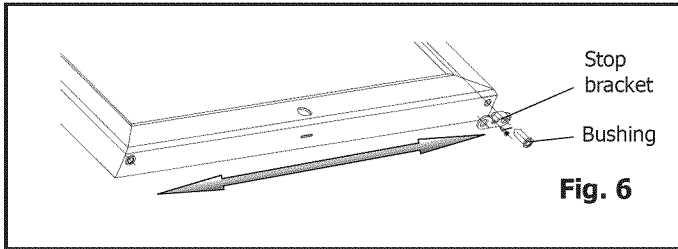
All parts removed must be saved to do the reinstallation of the door.

1. Remove top cap. Remove the three screws that hold the upper hinge (right side) to the top of the cabinet. See Fig. 1.
2. Carefully remove top hinge (See Fig. 1.), then lift the door up off of bottom hinge and place it on a padded surface to prevent scratching it. See Fig. 2.
3. Remove the three button plugs from the upper left corner of the cabinet and transfer them to the holes on the opposite side. Be sure to press the button plugs firmly into the holes. See Fig. 1.
4. Remove three screws that hold the bottom hinge to lower end of cabinet. Remove the three button plugs from lower LH corner and transfer to holes where bottom hinge was just removed. See Fig. 3.
5. Unscrew pins from both hinges and transfer to threaded hole on opposite side. See Fig. 4. Re-install bottom hinge in LH corner of cabinet using same three screws removed in Step 4.
6. On bottom edge of door, transfer door stop bracket and bushing to holes on opposite side. See Fig. 6.
7. On top edge of door, transfer the button plugs and bushing to hole on opposite side. See Fig. 7.
8. Place bottom LH corner of door onto lower hinge, then install top hinge to cabinet. Make sure door is level and it seals properly against cabinet, then securely fasten three screws. See Fig. 7. Snap top cap back onto hinge.



## INSTALLATION

## ENERGY SAVING TIPS



- Install the wine cooler in the coolest part of a dry and ventilated room, out of direct sunlight and away from heating ducts or registers. Do not place the wine cooler next to heat-producing appliances such as a range, oven or dishwasher.

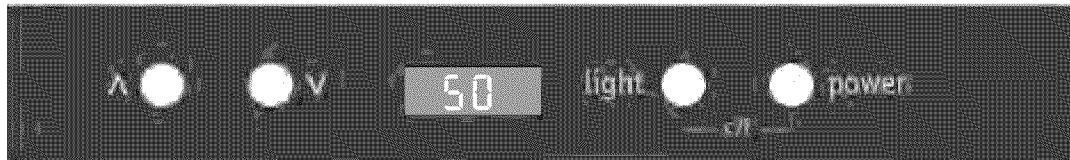
- Level the wine cooler so the door close tightly.
- Do not over crowd the wine cooler or block cold air vents. Doing so causes the wine cooler to run longer and use more energy. Shelves should not be lined with aluminum foil, wax paper or paper toweling. Liners interfere with cold air circulation, making the wine cooler less efficient.
- Wipe containers dry before placing them in the wine cooler. This cuts down on moisture build-up inside the unit.
- Organize the wine cooler to reduce door openings. Remove as many items as needed at one time and close the door as soon as possible.

## TEMPERATURE CONTROLS

### Cool Down Period

For best performance, allow 4 hours for the wine cooler to cool down completely. The wine cooler will run continuously for the first several hours.

### Temperature Control for Single Zone Model



- ▲ Press this button once to increase temperature 1° F/C.
- ▼ Press this button once to decrease temperature 1° F/C.

The wine cooler can be operated by adjusting the temperature control buttons (up arrow and down arrow) until the desired temperature is reached.

The display will flash for a few seconds before set point is locked in.

The temperature range MIN and MAX is 41° - 64°F (5° - 18° C).

### Temperature display

**Light:** This button turns the light ON and OFF.

**Power:** This buttons turns the power ON and OFF.

Press both **Light** and **Power** button's at the same time to change between Fahrenheit and Celsius temperatures.

# TEMPERATURE CONTROLS

- The default temperature for the wine cooler is 54°F (12°C). The temperature after power failure will be the temperature set before the power failure.
- To prolong the life of compressor, please wait for at least 5 minutes before the wine cooler is restarted after power failure.

## Failure display

- If "E" and "F" are displayed, please contact local service personnel for repair.
- If the temperature in the cooler is too low, it will display "L".
- If the temperature in the cooler is too high, the screen will display "H" and will flash. Under this state, the buzzer will buzz for 30 seconds. One minute later, the buzzer will continue to buzz for the next 30 seconds. After three times, the alarm will not buzz any more. You can press any key to cancel sound alarm.
- Storing too many wine bottles in the cooler may cause the temperature in the cooler to rise temporarily.

## Temperature Control for Dual Zone Model



### lower zone Temperature in lower chamber indicator

- ∧ Press this button once to increase temperature 1° F/C.
- ∨ Press this button once to decrease temperature 1° F/C.

### upper zone Temperature in upper chamber indicator

- ∧ Press this button once to increase temperature 1° F/C.
- ∨ Press this button once to decrease temperature 1° F/C.

### 88 Temperature display

**Light:** This LED turns the light ON and OFF.

**Power:** This LED turns the power ON and OFF.

Press both **Light** and **Power** LED's at the same time to change between fahrenheit and Celsius temperatures.

The wine cooler can be operated by adjusting the temperature control buttons (up arrow and down arrow) until the desired temperature is reached.

The display will flash for a few seconds before set point is locked in.

- The default temperature is 46°F (8°C) for upper zone and 59°F (15°C) for lower zone. The temperature after power failure will be the temperature set before the power failure.
- To prolong the life of compressor, please wait for at least 5 minutes before the wine cooler is restarted after power failure.

The temperature range MIN and MAX is 41 - 54° F for the upper zone and 54 - 64° F for the lower zone.

## Failure display

- If "E" and "F" are displayed, please contact local service personnel for repair.
- If the temperature in the cooler is too low, it will display "L".
- If the temperature in the cooler is too high, the screen will display "H" and will flash. Under this state, the buzzer will buzz for 30 seconds. One minute later, the buzzer will continue to buzz for the next 30 seconds. After three times, the alarm will not buzz any more. You can press any key to cancel sound alarm.
- Storing too many wine bottles in the cooler may cause the temperature in the cooler to rise temporarily.

# FEATURES

## Adjustable Interior Shelves

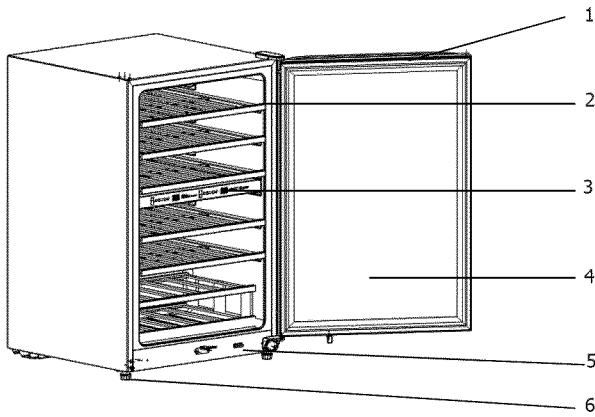
Multi-position adjustable interior shelves can be moved to any position for larger or smaller packages. The shipping spacers that stabilize the shelves for shipping should be removed and discarded.

## Interior Light (Some models)

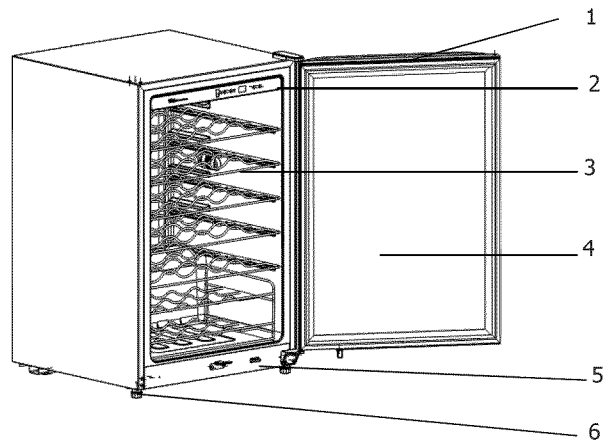
The light comes on automatically when the door is opened. The light can also be turned on and off by pressing the **Light** button on the control panel. Press the button twice to keep the light on when the door is closed.

## Door Lock

This unit is equipped with a lock near the bottom of the door. Two keys are provided. Keep the keys out of reach of children.



Wine Cooler - Dual Zone	
1	Handle
2	Wooden shelf
3	Control panel
4	Glass door
5	Light switch
6	Adjustable leg



Wine Cooler - Single Zone	
1	Handle
2	Control panel
3	Wire shelves
4	Glass door
5	Light switch
6	Adjustable legs

### Cleaning the wine cooler

- Before cleaning, turn the temperature control to OFF, unplug the wine cooler and remove the bottles.
- Clean your wine cooler once every two months.

**Inside:** Wash inside surfaces of the wine cooler with a solution of two tablespoons of baking soda in one quart (1.136 liters) warm water. Rinse and dry. Wring excess water out of the sponge or cloth when cleaning in the area of the controls, or any electrical parts.

Wash the removable parts with the baking soda solution mentioned above, or mild detergent and warm water. Rinse and dry. Never use metallic scouring pads, brushes, abrasive cleaners, or alkaline solutions on any surface. Do not wash removable parts in a dishwasher.

**Outside:** Wash the cabinet with warm water and mild liquid detergent. Rinse well and wipe dry with a clean soft cloth.

### Care of plastic parts

- Be sure and protect the door gasket. It should be kept clean at all times.
- If the plastic parts in the wine cooler remain contaminated by oil (animal or vegetable) for a long period of time, they will age and crack easily. Please clean them on a regular basis.

### Vacation and Moving Tips

#### Vacations:

If the wine cooler will not be used for several months:

- Remove all wine bottles and unplug the power cord.
- Clean and dry the interior thoroughly.
- Leave the wine cooler door open slightly, blocking it open if necessary, to prevent odor and mold growth.

Moving: When moving the wine cooler, follow these guidelines to prevent damage:

- Disconnect the power cord plug from the wall outlet.
- Remove wine bottles and clean the wine cooler.
- Secure all loose items by taping them securely in place to prevent damage.
- In a moving vehicle, secure the wine cooler in an upright position to prevent movement. Also, protect the outside of the wine cooler with a blanket or similar item.



### WARNING

If leaving the wine cooler door open while on vacation, make certain that children cannot climb inside and become entrapped.

# BEFORE YOU CALL

1-800-944-9044 (United States)  
1-800-265-8352 (Canada)

Visit our web site at  
[www.frigidaire.com](http://www.frigidaire.com).

PROBLEM	CAUSE	CORRECTION
<b>WINE COOLER OPERATION</b>		
<b>Wine Cooler does not run.</b>	<ul style="list-style-type: none"> <li>Wine cooler is plugged into a circuit that has a ground fault interrupt.</li> <li>Temperature control is in the OFF position.</li> <li>Wine cooler may not be plugged in, or plug may be loose.</li> <li>House fuse blown or tripped circuit breaker.</li> <li>Power outage.</li> </ul>	<ul style="list-style-type: none"> <li>Use another circuit. If you are unsure about the outlet, have it checked by a certified technician.</li> <li>See <b>Setting the Temperature Control</b> section.</li> <li>Ensure plug is tightly pushed into outlet.</li> <li>Check/replace fuse with a 15 amp time-delay fuse. Reset circuit breaker.</li> <li>Check house lights. Call local Electric Company.</li> </ul>
<b>Wine Cooler runs too much or too long.</b>	<ul style="list-style-type: none"> <li>Room or outside weather is hot.</li> <li>Wine Cooler has recently been disconnected for a period of time.</li> <li>Large amounts of warm or hot food has been stored recently.</li> <li>Door is opened too frequently or too long.</li> <li>Wine Cooler door may be slightly open.</li> <li>Temperature control is set too low.</li> <li>Wine Cooler gasket is dirty, worn, cracked, or poorly fitted.</li> </ul>	<ul style="list-style-type: none"> <li>It's normal for the Wine Cooler to work harder under these conditions.</li> <li>It takes 4 hours for the Wine Cooler to cool down completely.</li> <li>Warm food will cause Wine Cooler to run more until the desired temperature is reached.</li> <li>Warm air entering the Wine Cooler causes it to run more. Open doors less often.</li> <li>See <b>"DOOR PROBLEMS"</b> section.</li> <li>Turn control knob to a warmer setting. Allow several hours for the temperature to stabilize.</li> <li>Clean or change gasket. Leaks in the door seal will cause Wine Cooler to run longer in order to maintain desired temperature.</li> </ul>
<b>Interior Wine Cooler temperature is too cold.</b>	<ul style="list-style-type: none"> <li>Temperature control is set too low.</li> </ul>	<ul style="list-style-type: none"> <li>Turn the control to a warmer setting. Allow several hours for the temperature to stabilize.</li> </ul>
<b>Interior Wine Cooler temperature is too warm.</b>	<ul style="list-style-type: none"> <li>Temperature control is set too warm.</li> <li>Door is opened too frequently or too long.</li> <li>Door may not be seating properly.</li> <li>Large amounts of warm or hot food has been stored recently.</li> <li>Wine Cooler has recently been disconnected for a period of time.</li> </ul>	<ul style="list-style-type: none"> <li>Turn control to a colder setting. Allow several hours for the temperature to stabilize.</li> <li>Warm air entering the Wine Cooler causes it to run more. Open doors less often.</li> <li>See <b>"DOOR PROBLEMS"</b> section.</li> <li>Warm food will cause Wine Cooler to run more until the desired temperature is reached.</li> <li>It takes 4 hours for the Wine Cooler to cool down completely.</li> </ul>
<b>Wine Cooler external surface temperature is warm.</b>	<ul style="list-style-type: none"> <li>The external Wine Cooler walls can be as much as 30°F warmer than room temperature.</li> </ul>	<ul style="list-style-type: none"> <li>This is normal while the compressor works to transfer heat from inside the Wine Cooler cabinet.</li> </ul>
<b>SOUND AND NOISE</b>		
<b>Louder sound levels when wine cooler is on.</b>	<ul style="list-style-type: none"> <li>Modern wine coolers have increased storage capacity and more stable temperatures. They require a high efficiency compressor</li> </ul>	<ul style="list-style-type: none"> <li>This is normal. When the surrounding noise level is low, you might hear the compressor running while it cools the interior.</li> </ul>

## BEFORE YOU CALL (continued)

PROBLEM	CAUSE	CORRECTION
<b>SOUND AND NOISE (continued)</b>		
<b>Longer sound levels when compressor comes on.</b>	<ul style="list-style-type: none"> <li>Wine Cooler operates at higher pressures during the start of the ON cycle.</li> </ul>	<ul style="list-style-type: none"> <li>This is normal. Sound will level off or disappear as refrigerator continues to run.</li> </ul>
<b>Fan runs when room temperature is below 45°.</b>	<ul style="list-style-type: none"> <li>Exterior thermostat has activated the heater or fan.</li> </ul>	<ul style="list-style-type: none"> <li>This is normal.</li> </ul>
<b>Popping or cracking sound when compressor comes on.</b>	<ul style="list-style-type: none"> <li>Metal parts undergo expansion and contraction, as in hot water pipes.</li> </ul>	<ul style="list-style-type: none"> <li>This is normal. Sound will level off or disappear as Wine Cooler continues to run.</li> </ul>
<b>Boiling or gurgling sound, like water boiling.</b>	<ul style="list-style-type: none"> <li>Refrigerant (used to cool Wine Cooler) is circulating throughout the system.</li> </ul>	<ul style="list-style-type: none"> <li>This is normal.</li> </ul>
<b>Vibrating or rattling noise.</b>	<ul style="list-style-type: none"> <li>Wine Cooler is not level. It rocks on the floor when it is moved slightly.</li> </ul>	<ul style="list-style-type: none"> <li>Level the unit. Refer to leveling instructions in the <b>"Installation"</b> section.</li> </ul>
<b>Snapping sound.</b>	<ul style="list-style-type: none"> <li>Cold control turning the Wine Cooler OFF and ON.</li> </ul>	<ul style="list-style-type: none"> <li>This is normal.</li> </ul>
<b>WATER/MOISTURE/FROST INSIDE WINE COOLER</b>		
<b>Moisture forms on inside of Wine Cooler walls.</b>	<ul style="list-style-type: none"> <li>Weather is hot and humid.</li> <li>Door may not be seating properly.</li> <li>Door is kept open too long, or opened too frequently.</li> </ul>	<ul style="list-style-type: none"> <li>This is normal.</li> <li>See <b>"DOOR PROBLEMS"</b> section.</li> <li>Open the door less often.</li> </ul>
<b>WATER/MOISTURE/FROST OUTSIDE WINE COOLER</b>		
<b>Moisture forms on outside of Wine Cooler.</b>	<ul style="list-style-type: none"> <li>Door may not be seating properly, causing the cold air from inside the wine cooler to meet warm moist air from outside.</li> </ul>	<ul style="list-style-type: none"> <li>See <b>"DOOR PROBLEMS"</b> section.</li> </ul>
<b>ODOR IN WINE COOLER</b>		
<b>Odors in Wine cooler.</b>	<ul style="list-style-type: none"> <li>Interior needs to be cleaned.</li> </ul>	<ul style="list-style-type: none"> <li>Clean interior with sponge, warm water, and baking soda.</li> </ul>
<b>DOOR PROBLEMS</b>		
<b>Door will not close.</b>	<ul style="list-style-type: none"> <li>Wine Cooler is not level. It rocks on the floor when it is moved slightly.</li> </ul>	<ul style="list-style-type: none"> <li>This condition may force the cabinet out of square and misalign the door. Refer to 'Leveling' in the <b>"Installation"</b> section.</li> </ul>
<b>LIGHT BULB IS NOT ON</b>		
<b>Light bulb is not on.</b>	<ul style="list-style-type: none"> <li>Light bulb is burnt out.</li> <li>No electric current is reaching the Wine Cooler.</li> </ul>	<ul style="list-style-type: none"> <li>Follow instructions under "Interior Light" in the <b>"FEATURES"</b> section.</li> <li>See <b>"Installation"</b> section.</li> </ul>

# MAJOR APPLIANCE WARRANTY

Your appliance is covered by a one year limited warranty. For one year from your original date of purchase, Electrolux will pay all costs for repairing or replacing any parts of this appliance that prove to be defective in materials or workmanship when such appliance is installed, used and maintained in accordance with the provided instructions.

**Exclusions**    **This warranty does not cover the following:**

1. Products with original serial numbers that have been removed, altered or cannot be readily determined.
2. Product that has been transferred from its original owner to another party or removed outside the USA or Canada.
3. Rust on the interior or exterior of the unit.
4. Products purchased "as-is" are not covered by this warranty.
5. Food loss due to any refrigerator or freezer failures.
6. Products used in a commercial setting.
7. Service calls which do not involve malfunction or defects in materials or workmanship, or for appliances not in ordinary household use or used other than in accordance with the provided instructions.
8. Service calls to correct the installation of your appliance or to instruct you how to use your appliance.
9. Expenses for making the appliance accessible for servicing, such as removal of trim, cupboards, shelves, etc., which are not a part of the appliance when it is shipped from the factory.
10. Service calls to repair or replace appliance light bulbs, air filters, water filters, other consumables, or knobs, handles, or other cosmetic parts.
11. Surcharges including, but not limited to, any after hour, weekend, or holiday service calls, tolls, ferry trip charges, or mileage expense for service calls to remote areas, including the state of Alaska.
12. Damages to the finish of appliance or home incurred during installation, including but not limited to floors, cabinets, walls, etc.
13. Damages caused by: services performed by unauthorized service companies; use of parts other than genuine Electrolux parts or parts obtained from persons other than authorized service companies; or external causes such as abuse, misuse, inadequate power supply, accidents, fires, or acts of God.

**DISCLAIMER OF IMPLIED WARRANTIES; LIMITATION OF REMEDIES**

CUSTOMER'S SOLE AND EXCLUSIVE REMEDY UNDER THIS LIMITED WARRANTY SHALL BE PRODUCT REPAIR OR REPLACEMENT AS PROVIDED HEREIN. CLAIMS BASED ON IMPLIED WARRANTIES, INCLUDING WARRANTIES OF MERCHANTABILITY OR FITNESS FOR A PARTICULAR PURPOSE, ARE LIMITED TO ONE YEAR OR THE SHORTEST PERIOD ALLOWED BY LAW, BUT NOT LESS THAN ONE YEAR. ELECTROLUX SHALL NOT BE LIABLE FOR CONSEQUENTIAL OR INCIDENTAL DAMAGES SUCH AS PROPERTY DAMAGE AND INCIDENTAL EXPENSES RESULTING FROM ANY BREACH OF THIS WRITTEN LIMITED WARRANTY OR ANY IMPLIED WARRANTY. SOME STATES AND PROVINCES DO NOT ALLOW THE EXCLUSION OR LIMITATION OF INCIDENTAL OR CONSEQUENTIAL DAMAGES, OR LIMITATIONS ON THE DURATION OF IMPLIED WARRANTIES, SO THESE LIMITATIONS OR EXCLUSIONS MAY NOT APPLY TO YOU. THIS WRITTEN WARRANTY GIVES YOU SPECIFIC LEGAL RIGHTS. YOU MAY ALSO HAVE OTHER RIGHTS THAT VARY FROM STATE TO STATE.

**If You Need Service**    Keep your receipt, delivery slip, or some other appropriate payment record to establish the warranty period should service be required. If service is performed, it is in your best interest to obtain and keep all receipts. Service under this warranty must be obtained by contacting Electrolux at the addresses or phone numbers below.

This warranty only applies in the USA and Canada. In the USA, your appliance is warranted by Electrolux Major Appliances North America, a division of Electrolux Home Products, Inc. In Canada, your appliance is warranted by Electrolux Canada Corp. Electrolux authorizes no person to change or add to any obligations under this warranty. Obligations for service and parts under this warranty must be performed by Electrolux or an authorized service company. Product features or specifications as described or illustrated are subject to change without notice.

**USA**  
**1.800.944.9044**  
Electrolux Major Appliances  
North America  
10200 David Taylor Drive  
Charlotte, NC 28262



**Canada**  
**1.800.265.8352**  
Electrolux Canada Corp.  
5855 Terry Fox Way  
Mississauga, Ontario, Canada  
L5V 3E4