



READ THESE INSTRUCTIONS AND  
SAVE THEM FOR FUTURE USE



# Installation Guide

For models:

WE52BNK5LR  
WE52EB5LR

## Table of Contents:

- Safety Tips. pg. 1
- Unpacking Your Fan. pg. 2
- Parts Inventory. pg. 2
- Installation Preparation. pg. 3
- Hanging Bracket Installation. pg. 3
- Fan Assembly. pgs. 4 - 5
- Wiring. pg. 6
- Canopy Assembly. pg. 6
- Blade Assembly. pg. 7
- Light Kit Assembly. pg. 7
- Remote Control Operation. pg. 8
- Testing Your Fan. pg. 9
- Troubleshooting. pg. 10
- Parts Replacement. pg. 10
- Warranty. pg. 10



net weight of fan: 16.09 lb. (7.3 kg)

PRINTED IN CHINA

# SAFETY TIPS.

**WARNING:** To reduce the risk of electrical shock, turn off the electricity to the fan at the main fuse box or circuit panel before you begin the fan installation or before servicing the fan or installing accessories.

1. **READ ALL INSTRUCTIONS AND SAFETY INFORMATION CAREFULLY BEFORE INSTALLING YOUR FAN AND SAVE THESE INSTRUCTIONS.**

**CAUTION:** To avoid personal injury, the use of gloves may be necessary while handling fan parts with sharp edges.

2. Make sure all electrical connections comply with Local Codes or Ordinances, the National Electrical Code, and ANSI/NFPA 70-1999. If you are unfamiliar with electrical wiring or if the house/building wires are different colors than those referred to in the instructions, please use a qualified electrician.
3. Make sure you have a location selected for your fan that allows clear space for the blades to rotate, and at least seven (7) feet (2.13 meters) of clearance between the floor and the fan blade tips. The fan should be mounted so that the tips of the blades are at least thirty (30) inches (76 centimeters) from walls or other upright structures.
4. The outlet box and ceiling support joist used must be securely mounted, and capable of supporting at least 35 pounds (16 kilograms). The box must be supported directly by the building structure. Use only ETL or UL listed outlet boxes marked "FOR FAN SUPPORT."

**WARNING:** To reduce the risk of fire, electrical shock, or personal injury, mount to the outlet box marked "Acceptable for Fan Support of 15.9 kg (35 lb) or less" and use the mounting screws provided with the outlet box. Most outlet boxes commonly used for the support of lighting fixtures are not acceptable for fan support and may need to be replaced. Consult a qualified electrician if in doubt.

**WARNING:** To reduce the risk of fire, electrical shock, or personal injury, wire connectors provided with this fan are designed to accept only one 12 gauge house wire and two lead wires from the fan. If your house wire is larger than 12 gauge or there is more than one house wire to connect to the corresponding fan lead wires, consult an electrician for the proper size wire connectors to use.

5. Electrical diagrams are for reference only.
6. After installation is complete, check that all connections are absolutely secure.
7. After making electrical connections, spliced conductors should be turned upward and pushed carefully up into the outlet box. The wires should be spread apart with the grounded conductor and the equipment-grounding conductor on opposite sides of the outlet box.

**WARNING:** To reduce the risk of electrical shock, fire and to prevent humming noise do not use this fan with any solid state speed control device or control fan speed with a full range dimmer switch. [Using a full range dimmer switch to control fan speed will cause a loud humming noise from fan.]

8. Do not operate the reverse switch until the fan has come to a complete stop.
9. Do not insert anything between the fan blades while they are rotating.

**WARNING:** To reduce the risk of personal injury, do not bend the blade arms during assembly or after installation. Do not insert objects into the path of the blades.

**WARNING:** To avoid personal injury or damage to the fan and other items, be cautious when working around or cleaning the fan.

10. Do not use water or detergents when cleaning the fan or fan blades. A dry dust cloth or lightly dampened cloth will be suitable for most cleaning.

**WARNING:** To reduce the risk of personal injury, use **only** parts provided with this fan. **The use of parts OTHER than those provided with this fan will void the warranty.**

11. Light kit is dimmable to 10% with select dimmers.

NOTE: This equipment has been tested and found to comply with the limits for a Class B digital device, pursuant to Part 15 of the FCC Rules. These limits are designed to provide reasonable protection against harmful interference in a residential installation. This equipment generates, uses and can radiate radio frequency energy and, if not installed and used in accordance with the instructions, may cause harmful interference to radio communications. However, there is no guarantee that interference will not occur in a particular installation. If this equipment does cause harmful interference to radio or television reception, which can be determined by turning the equipment off and on, the user is encouraged to try to correct the interference by one or more of the following measures:

- \* Reorient or relocate the receiving antenna.
- \* Increase the separation between the equipment and receiver.
- \* Connect the equipment into an outlet on a circuit different from that to which the receiver is connected.

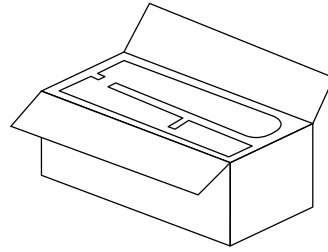
Consult the dealer or an experienced radio/TV technician for help.

**CAUTION:** Do NOT tamper with or attempt to repair LED component of light kit. The light source is designed for this specific application and should not be serviced by untrained personnel. If any servicing is required, call our customer service department.

**NOTE:** The important safety precautions and instructions appearing in the manual are not meant to cover all possible conditions and situations that may occur. It must be understood that common sense and caution are necessary factors in the installation and operation of this fan.

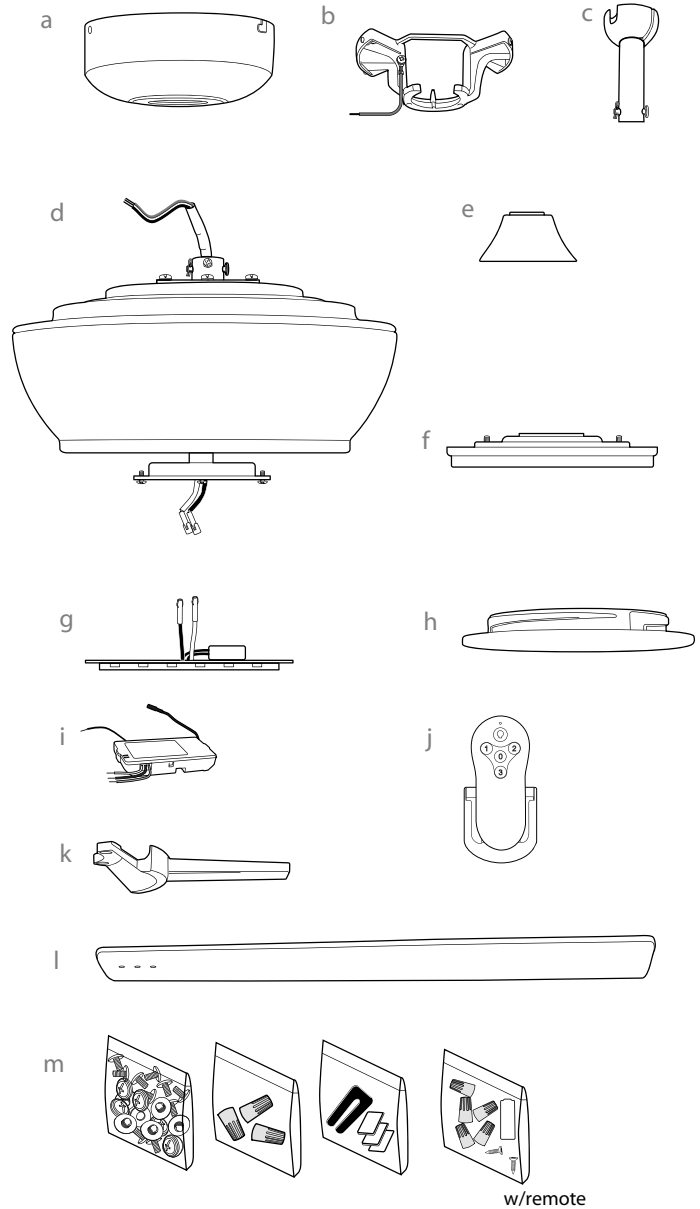
# 1. Unpacking Your Fan.

Carefully open the packaging. Remove items from Styrofoam inserts. Remove motor housing and place on carpet or Styrofoam to avoid damage to finish. Do not discard fan carton or Styrofoam inserts should this fan need to be returned for repairs. Check against parts inventory that all parts have been included.



## 2. Parts Inventory.

- a.** canopy. 1 piece
- b.** hanging bracket. 1 piece
- c.** downrod and hanging ball (with pin and clip). 1 piece
- d.** motor housing. 1 piece
- e.** yoke cover. 1 piece
- f.** fitter plate. 1 piece
- g.** LED light kit . 1 piece
- h.** glass shade. 1 piece
- i.** remote control receiver. 1 piece
- j.** remote control transmitter. 1 piece
- k.** blade arm. 5 pieces
- l.** blade. 5 pieces
- m.** hardware packs



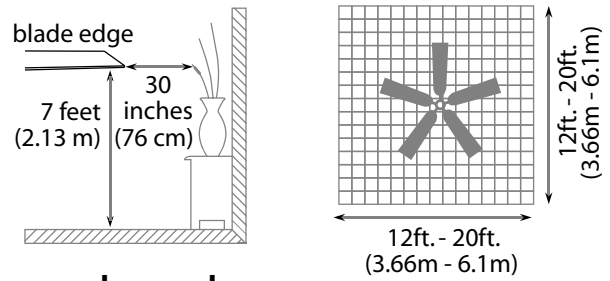
**! IMPORTANT REMINDER:** You must use the parts provided with this fan for proper installation and safety. **!**

### 3. Installation Preparation.

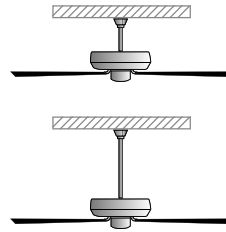
To prevent personal injury and damage, ensure that the hanging location allows the blades a clearance of 7 feet (2.13m) from the floor and 30in. (76cm) from any wall or obstruction. This fan is suitable for room sizes up to 400 square feet (37.2 square meters).

This fan can be mounted with a **downrod** on a regular (no-slope) or vaulted ceiling. The hanging length can be extended by purchasing a longer downrod (0.5in./1.27cm diameter). *After installing hanging bracket, continue to Section 5 on page 4 for those instructions.* This fan can also be mounted as a **flushmount** on a regular (no-slope) ceiling. *After installing hanging bracket, continue to Section 6 on page 5 for those instructions.*

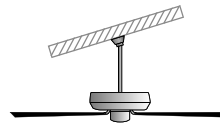
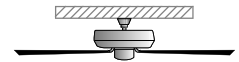
**Installation requires these tools:** Phillips screwdriver, flathead screwdriver, adjustable pliers or wrench, stepladder, wire cutters, and rated electrical tape.



**downrod installation**



**flushmount installation**



**⊘** Vaulted ceiling angle is not to exceed 20 degrees.

### 4. Hanging Bracket Installation.

Turn off circuit breakers to current fixture from breaker panel and be sure operating light switch is turned to the OFF position.

**WARNING:** Failure to disconnect power supply prior to installation may result in serious injury.

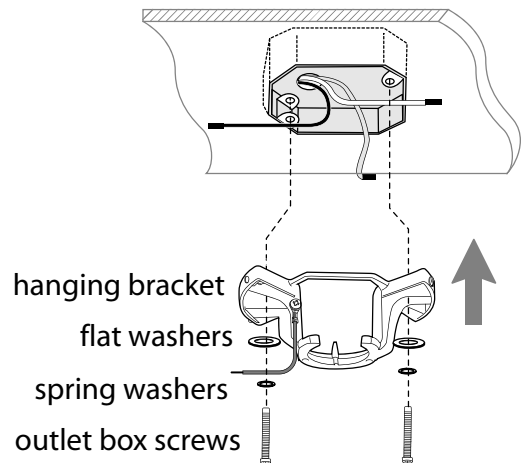
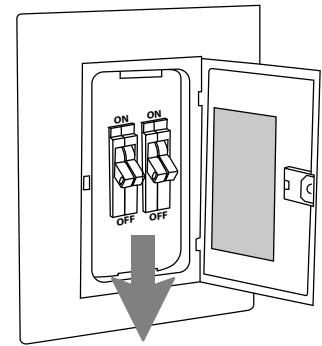
Remove existing fixture.

**WARNING:** When using an existing outlet box, be sure the outlet box is securely attached to the building structure and can support the full weight of the fan. Ensure the outlet box is clearly marked "Suitable for Fan Support." If not, it must be replaced with an approved outlet box. Failure to do so can result in serious injury.

**CAUTION:** Be sure outlet box is grounded properly and that a ground wire (**GREEN** or bare) is present.

Install hanging bracket to outlet box using original screws, spring washers and flat washers provided with new or original outlet box.\* If installing on a vaulted ceiling, face opening of hanging bracket towards high point of ceiling. Arrange electrical wiring around the back of the hanging bracket and away from the hanging bracket opening.

**\*Note:** It is very important that you use the proper hardware when installing the hanging bracket as this will support the fan.



## 5. Fan Assembly.

If you wish to extend the hanging length of your fan, you must remove the hanging ball from the downrod provided to use with an extended downrod (sold separately). [If you wish to use the downrod provided, please proceed to instructions following the dotted line below.]

To remove hanging ball, loosen set screw on hanging ball and remove the pin and clip. Lower hanging ball and remove stop pin. Slide hanging ball off the original downrod, A, and slide it down the longer downrod, B (the top of the downrod should be noted as having a set screw hole; use this hole when setting the set screw). Insert stop pin into top of extended downrod and raise hanging ball. Be sure stop pin aligns with slots on the inside of the hanging ball. Tighten set screw securely.

**WARNING:** Failure to tighten set screw completely could result in the fan becoming loose and possibly falling.

**Tip:** To prepare for threading electrical wires through downrod, apply a small piece of electrical tape to the ends of the electrical wires--this will keep the wires together when threading them through the downrod.

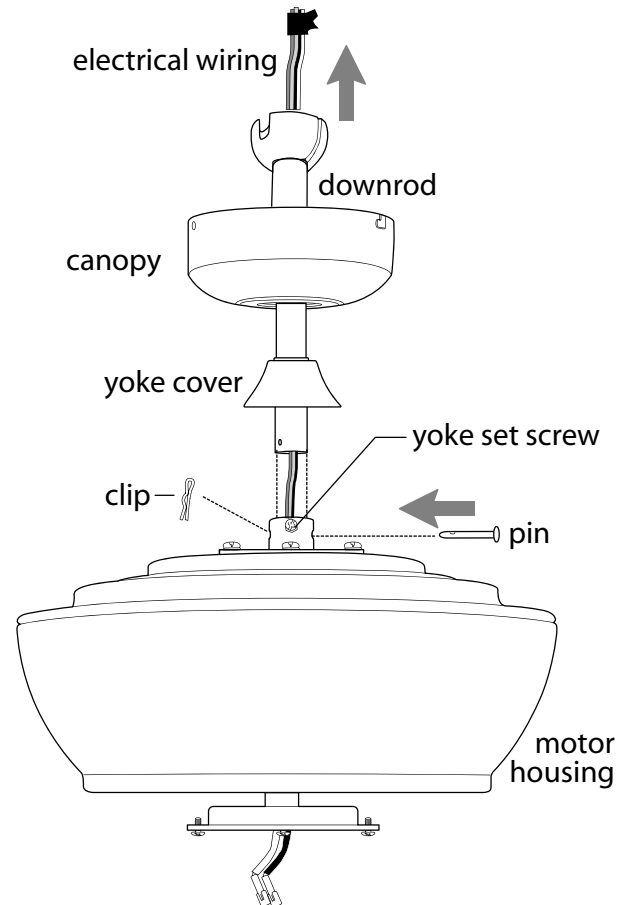
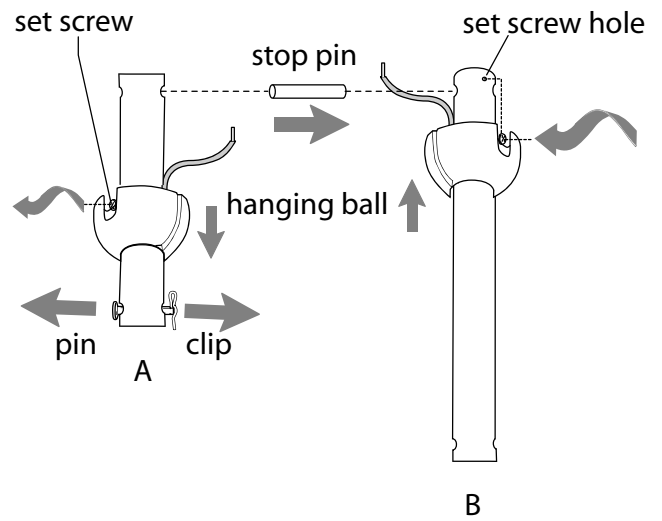
Loosen yoke set screws and nut at top of motor housing. Remove pin and clip from downrod (if you have not already done so). Slide downrod through canopy and yoke cover.

Thread electrical wires through downrod and pull extra wire slack from the upper end of the downrod.

Place downrod into the motor housing yoke and re-insert pin and clip previously removed. Tighten yoke set screws and nut securely. Lower yoke cover to motor housing.

**["Fan Assembly" continued on next page.]**

**NOTE:** The important safety precautions and instructions appearing in the manual are not meant to cover all possible conditions and situations that may occur. It must be understood that common sense and caution are necessary factors in the installation and operation of this fan.



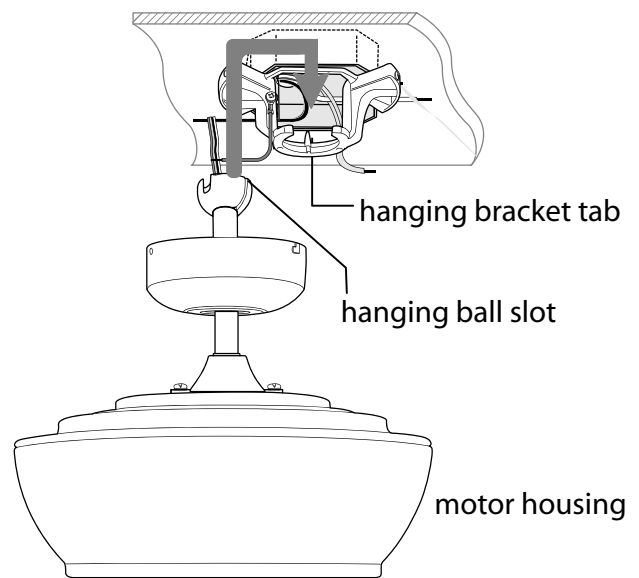
## 5. Fan Assembly. (cont.)

With the hanging bracket secured to the outlet box and able to support the fan, you are now ready to hang your fan. Grab the fan firmly with two hands. Slide downrod through opening in hanging bracket and let hanging ball rest on the hanging bracket. Turn the hanging ball slot until it lines up with the hanging bracket tab.

**WARNING:** Failure to align slot in hanging ball with tab in hanging bracket may result in serious injury or death.

**Tip:** Seek the help of another person to hold the stepladder in place and to help lift the fan up to you once you are set on the ladder.

Continue to "Wiring" section on page 6 for wiring diagram.



## 6. Fan Assembly (flushmount).

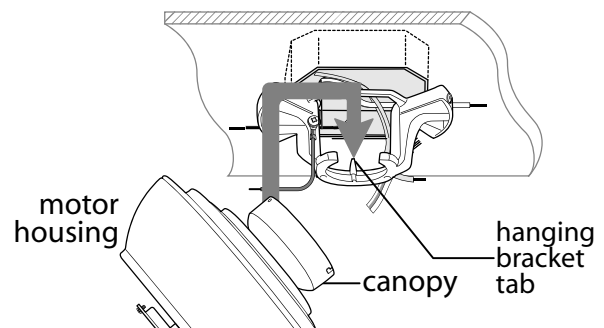
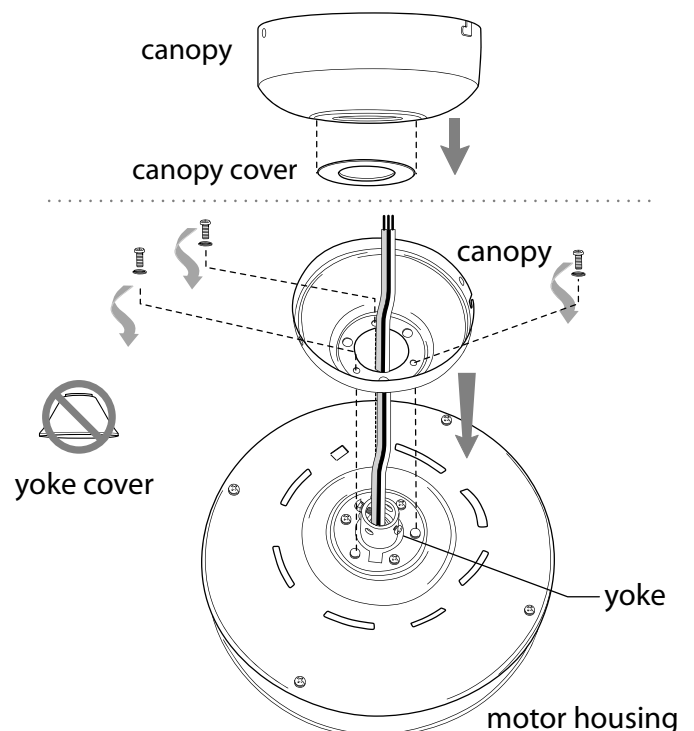
Remove and set aside canopy cover to reveal 6 holes. Notice that 3 of these holes are larger.

**Note:** Yoke cover will *not* be used with this type of installation.

There are **6** screws in top of motor housing, remove every other screw and lock washer.

Thread wiring through canopy. Place canopy over yoke, aligning larger holes in canopy with the 3 existing screws in top of motor housing. Insert the 3 screws and 3 lock washers that were removed into the remaining holes. Securely tighten these screws.

To prepare the fan for wiring, hang fan onto hanging bracket by sliding the canopy over the hanging bracket tab. (Use one of the non-slotted holes on the rim of the canopy to do so.)





## 9. Blade Assembly.

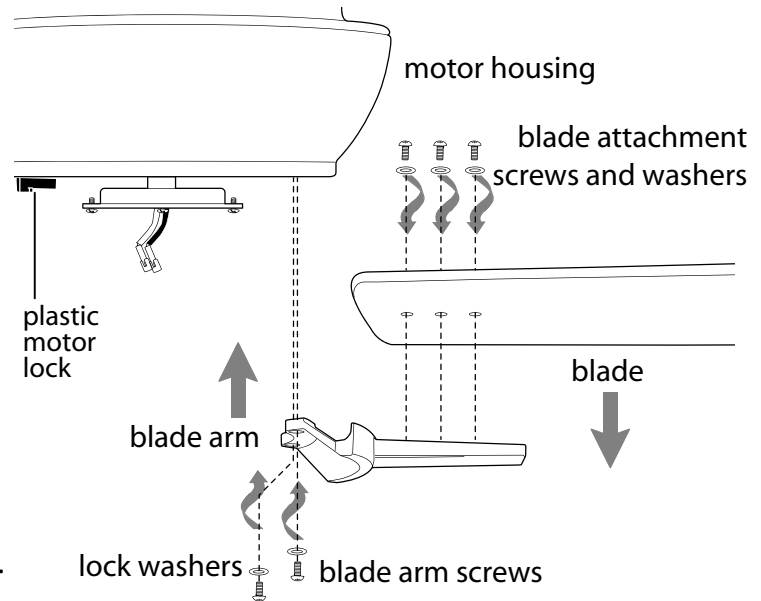
**WARNING:** To reduce the risk of serious bodily injury, DO NOT use power tools to assemble the blades. If overtightened, blades may crack and break.

**Time Saver:** Washers for blade screws can be set on each blade screw prior to installing blades.

Locate 15 blade attachment screws and washers in one of the hardware packs. Hold blade arm up to blade and align holes. Insert 3 blade attachment screws (along with washers) with fingers first and then tighten screws securely with a Phillips screwdriver. Repeat for the remaining blades.

Remove blade arm screws and lock washers from underside of motor. If plastic motor locks are installed with blade arm screws, discard plastic motor locks. Align blade arm holes with motor screw holes and attach blade arm with lock washers and blade arm screws. Before securing screws permanently, repeat with remaining blade arms. Securely tighten all screws.

**Note:** Tighten blade arm screws twice a year.



## 10. Light Kit Assembly.

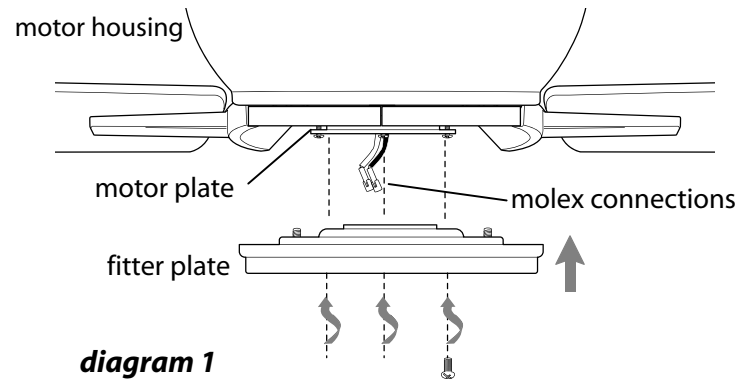
Remove 1 screw from motor plate on underside of motor housing and partially loosen the other 2 screws. Align slotted holes in fitter plate with loosened screws in motor plate, allowing molex plugs from motor housing to come through hole in middle of fitter plate. Twist fitter plate to lock. Re-insert screw that was previously removed and securely tighten all 3 screws with a Phillips screwdriver. [Refer to **diagram 1**.]

Remove 1 screw from fitter plate and partially loosen the other 2 screws.

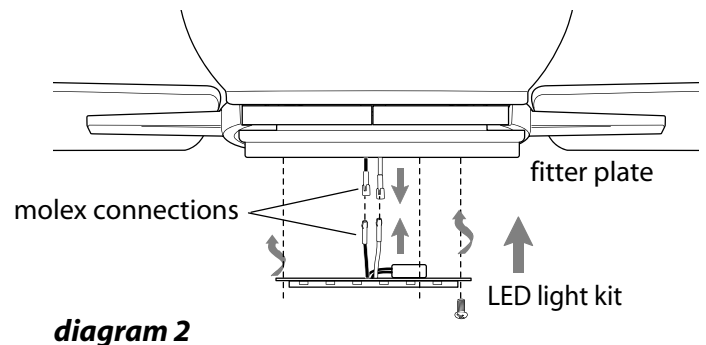
Connect **WHITE** wire from LED light kit to **WHITE** wire from motor housing. Connect **BLACK** wire from LED light kit to **BLUE** (or **BLACK**) wire from motor housing. Be sure that molex connections snap together completely. Align slotted holes in LED light kit with loosened screws in fitter plate. Twist LED light kit to lock. Re-insert screw that was previously removed and tighten all 3 screws securely. [Refer to **diagram 2**.]

Locate slots on glass shade and align with nodules on inside of fitter plate. Gently push up on glass shade and turn to the RIGHT (clockwise) until it slides completely into place. [Refer to **diagram 3**.]

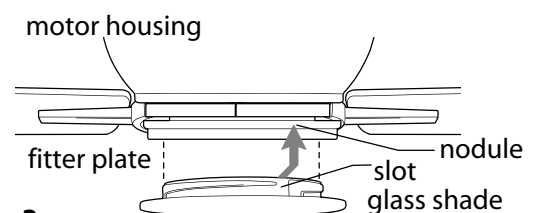
**Note:** Pull down **VERY GENTLY** on glass shade to make sure that glass shade is secure.



**diagram 1**



**diagram 2**



**diagram 3**

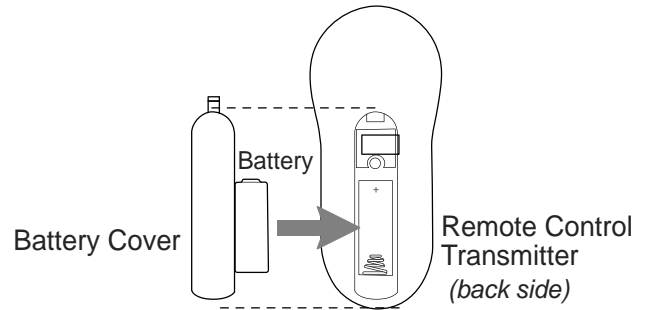
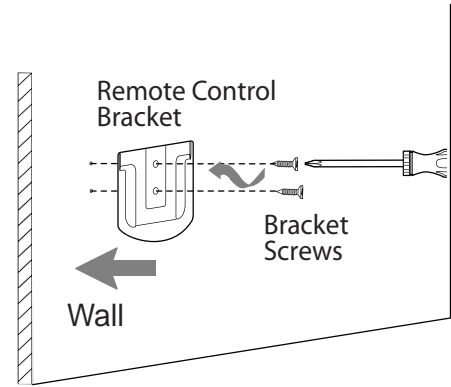
# 11. Remote Control Operation.

If you wish to use the remote control bracket, install screws, included in remote pack, through bracket and into the desired installation site. The remote control transmitter rests inside the bracket.

**CAUTION:** The remote control transmitter can be programmed to multiple receivers or fans. If this is not desired, turn wall switch off to any other programmable receiver or fan.

Remove battery cover from back of remote control transmitter. Install battery (included) with positive (+) end toward top of remote control transmitter. Replace battery cover.

**⚠ WARNING: Choking Hazard - Small parts. Keep battery away from children.**



Restore electrical power. Within 30 seconds of restoring the power, press and hold the "0" button on the remote control transmitter for 5 seconds or until light on fan blinks twice. Test the light and fan functions to confirm the learning process is complete.

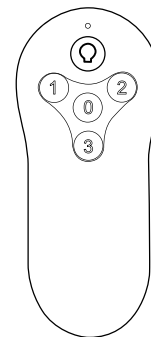
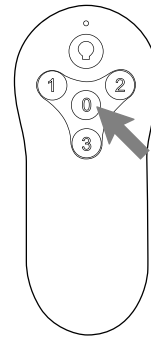
**NOTE:** Remove protective covering from front of remote control transmitter and discard.

**IMPORTANT:** To prevent damage to transmitter, remove the battery if not used for long periods. Store the remote control transmitter away from excess heat or humidity.

Operation buttons on the panel of the remote control transmitter:

- 3 button for *fan* **HIGH** speed
- 2 button for *fan* **MEDIUM** speed
- 1 button for *fan* **LOW** speed
- 0 button to turn *fan* **OFF**
- ⓪ button to turn *light* **ON** or **OFF**


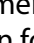
Tap ⓪ button quickly to turn lights off or on. Hold ⓪ button down to increase or decrease lights. If you press ⓪ button in excess of 0.7 seconds, it becomes a dimmer. The lights vary cyclically in 8 seconds. The light button has an auto resume function, which keeps the light at the same brightness as the last time it was turned off.



**⚠ CAUTION:** "DO NOT DISPOSE OF BATTERIES IN FIRE, BATTERIES MAY EXPLODE OR LEAK." - When disposing of household alkaline batteries, it is best to check with your local and state recycling or household hazardous waste coordinators concerning the specifics of the program in your area. You may also locate a recycling center by calling 1-800-8-BATTERY or 1-877-2-RECYCLE or visit [www.epa.gov/epawaste/index.htm](http://www.epa.gov/epawaste/index.htm) or [www.earth911.org](http://www.earth911.org) for more information.



## 12. Testing Your Fan.

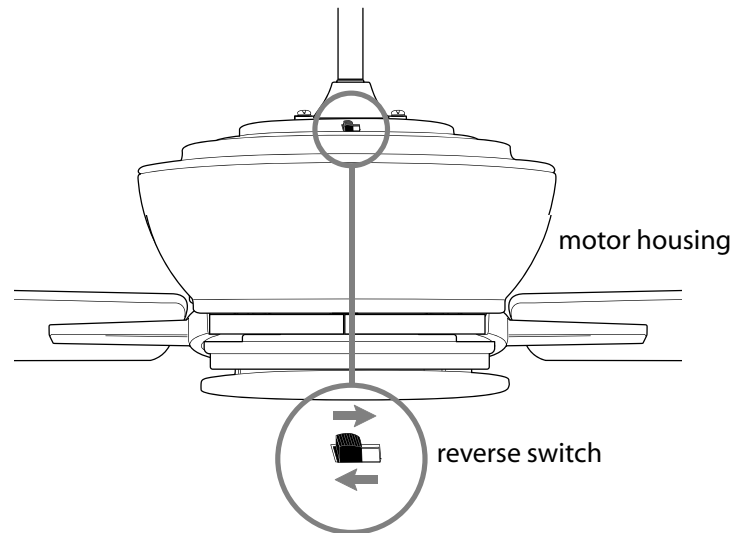
It is recommended that you test fan before finalizing installation. Test fan speeds with the different fan speed buttons on remote control. Test the light ON/OFF function with the  button on the remote control. Test dimmer function by holding down the  button for more than 0.7 seconds. If the remote control operates all of the functions of the fan and light, battery has been installed correctly (**diagram 1**). If fan and/or light does (do) not function, please refer to "Troubleshooting" section to solve any issues before contacting Customer Service.

Turn fan completely off *before* moving the reverse switch (located on top of motor housing). Set reverse switch to recirculate air depending on the season:

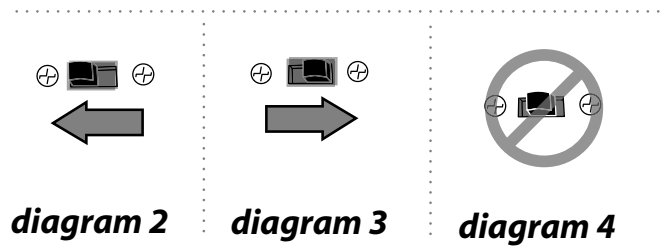
- LEFT position in summer (**diagram 2**)
- RIGHT position in winter (**diagram 3**)

A ceiling fan will allow you to raise your thermostat setting in summer and lower your thermostat setting in winter without feeling a difference in your comfort.

**Important:** Reverse switch must be set either *completely to the LEFT* or *completely to the RIGHT* for fan to function. If the reverse switch is set in the *middle* position (**diagram 4**), fan will not operate.



**diagram 1**



**diagram 2**

**diagram 3**

**diagram 4**

## Troubleshooting.

**WARNING:** Failure to disconnect power supply prior to troubleshooting any wiring issues may result in serious injury.

**Problem:** Fan fails to operate.

**Solutions:**

1. Check wall switch to fan.
2. Verify that reverse switch is set completely in either direction.
3. Check to be sure fan is wired properly.
4. Verify battery was properly installed in remote control transmitter.
5. Repeat instructions for remote control transmitter, Step 11, page 8, fifth paragraph.

**Problem:** Light kit not lighting.

**Solutions:**

1. Check wall switch to fan.
2. Check to be sure wires in canopy are wired properly.
3. Verify that molex connections in light kit are connected properly.
4. Verify battery was properly installed in remote control transmitter.
5. Repeat instructions for remote control transmitter, Step 11, page 8, fifth paragraph.

**Problem:** Fan operates but light fails.

**Solutions:**

1. Check to be sure wires in canopy are wired properly.
2. Verify that molex connections in light kit are connected properly.

**Problem:** Fan wobbles.

**Solutions:**

1. Use the balancing kit provided in one of the hardware packs. *If no blade balancing kit is provided, please call Customer Support, at 1-800-527-1292, to request one.*
2. Check to be sure set screw(s) on motor housing yoke is (are) tightened securely.
3. Check to be sure set screw on hanging ball is tightened securely.

## Parts Replacement.

For parts and information, please refer to "Parts Inventory" on page 2.

Litex Customer Support:  
**1-800-527-1292**

## Warranty.

**LITEX 30-YEAR LIMITED WARRANTY:**

LITEX INDUSTRIES, LTD. warrants this fan to the original household purchaser for indoor use under the following provisions:

**1-YEAR WARRANTY:** LITEX INDUSTRIES, LTD. will replace or repair any fan which has faulty performance due to a defect in material or workmanship. Contact Litex Customer Service at **1-800-527-1292** to arrange for return of fan. Return fan, shipping prepaid, to Litex Industries, Ltd. We will repair or ship you a replacement fan, and we will pay the return shipping cost.

**5-YEAR WARRANTY:** LITEX INDUSTRIES, LTD. will repair or replace, at no charge to the original purchaser, any fan motor that fails to operate satisfactorily when failure results from normal use.

**RETURN FAN MOTOR ONLY,** shipping prepaid, to Litex Industries. We will repair or ship purchaser a replacement motor and Litex will pay the return shipping cost.  
**6-YEAR to 30-YEAR WARRANTY:** LITEX INDUSTRIES, LTD. will repair the fan, at no charge to the original purchaser for labor only, if the fan motor fails to operate satisfactorily when failure results from normal use. Parts used in the repair will be billed to the purchaser at prevailing prices at time of repair.

The purchaser shall be responsible for all costs incurred in the removal, reinstallation and shipping of the product for repairs.

This warranty does not apply when damage from mechanical, physical, electrical or water abuse results in causing the malfunction. Deterioration of finishes or other parts due to time or exposure to salt air is specifically exempted under this warranty.

Neither Litex Industries nor the manufacturer will assume any liability resulting from improper installation or use of this product. In no case shall the company be liable for any consequential damages for breach of this, or any other warranty expressed or implied whatsoever. This limitation as to consequential damages shall not apply in states where prohibited.

