

# **VEVOR<sup>®</sup>**

**TOUGH TOOLS, HALF PRICE**

Technical Support and E-Warranty Certificate

[www.vevor.com/support](http://www.vevor.com/support)

## **Strapping Machine**

**MODEL: DS-16**

We continue to be committed to provide you tools with competitive price.

"Save Half", "Half Price" or any other similar expressions used by us only represents an estimate of savings you might benefit from buying certain tools with us compared to the major top brands and does not necessarily mean to cover all categories of tools offered by us. You are kindly reminded to verify carefully when you are placing an order with us if you are actually saving half in comparison with the top major brands.

# VEVOR<sup>®</sup>

TOUGH TOOLS, HALF PRICE

## STRAPPING MACHINE

Model: DS-16



### NEED HELP? CONTACT US!

Have product questions? Need technical support? Please feel free to contact us:

**Technical Support and E-Warranty Certificate**  
[www.vevor.com/support](http://www.vevor.com/support)

This is the original instruction, please read all manual instructions carefully before operating. VEVOR reserves a clear interpretation of our user manual. The appearance of the product shall be subject to the product you received. Please forgive us that we won't inform you again if there are any technology or software updates on our product.

## INSTRUCTIONS

Thank you very much for choosing this Strapping Machine  
- Please read all of the instructions before using it. The information will help you achieve the best possible results.  
The products carried in this catalog may be different in color than the actual item.

### 1. Safety instructions

Correct training is required. Personnel who are not properly trained are not allowed to operate the strapping machine. Incorrect operation may result in equipment damage or personal injury.

#### 1.1 Battery operation

\*Environmental protection

Please do not throw the used battery into the household garbage can or wastewater bucket, please do not hit or burn the wasted battery.

\* Short circuit hazard

Do not store the batteries with other metal objects. Please do not disassemble the batteries yourself and store them in a dry and frost-resistant room. The ambient temperature must not be higher than 50 degrees.

Do not charge used batteries and please replace them with new ones when they are damaged or unusable.

#### 1.2 Eye injury hazards

Please wear eye protection to prevent damage to your eyes when using this product.

#### 1.3 Operation

Please read the instructions carefully and train properly before use. Persons who have not been properly trained are not allowed to operate the baler, before tightening the straps, if the instructions are not followed or if the strapping is loaded unreasonably can lead to breakage of the strapping or machine failure. Do not put your hands on the binding area, the gluing

area or the cutting area of the cutter until you are familiar with the baler. Place your hand on the binding area, the gluing area and the cutter cut-out.

#### **1.4 Friction welding area**

You should check the condition of the friction welding area and familiarise yourself with the control and adjustment of the friction time and tightening time. Irregular friction time may result in poor bonding and lead to serious damage, so please do not ship or transport boxes that have not been properly packed and handled.

#### **1.5 Packing straps distribution**

Please use the specially designed belt tray carriage to dispense the straps. When not in use, secure the end of the straps in the strapping fixing opening.

#### **1.6 Straps warning**

Do not use straps to drag or lift loads as this may result in damage to objects or personal injury.

#### **1.7 Hazards of strap breakage**

Improper operation; excessive tightened; not using the strapping as required will cause the tension force to be lost or the strapping to break, which may eventually cause the box/cargoes to be damaged and the object to be broken, the operator to lose balance and fall, or the strapping machine and the strapping to fly rapidly into the operator's face together causing injury

#### **■ Note:**

- \* If the load is packed with sharp edges please add edge protection.
- \* Wrap the straps around the appropriate area to be strapped.
- \* The operator should not be in the same straight line position as the strapping machine during tightening and friction to prevent the baler and the straps from tipping over into the operator's face. And remind or ask bystanders to stay away from the operating area during operation. Please also use the strapping with the recommended width and strength specifications, which will help to improve the quality and efficiency of the

packaging, as unsuitable strapping may cause the strapping to break or the box to come loose during transportation.

### **1.8 Cutting straps**

When cutting the straps, please use the appropriate cutting tool and keep a safe distance from people, not in the same line as the straps and away from the loose direction of the strapping. Please use the tools specifically designed for cutting straps, no hammers, pliers, axes, hacksaws etc.

### **1.9 Slip and fall hazards**

Please keep the strapping area clean and tidy, as untidy work areas can cause accidents and falls can occur if you do not land well or are unbalanced before tension, especially in small work areas such as stairwells. Try to keep your balance when handling. Both feet must be on a flat and firm surface at the same time. Do not operate the device when you are unwell or in a difficult physical condition.

Please note the precautions mentioned specifically for the work area.

### **1.10 Dangers of the baler**

- \* Good maintenance of the baler is very necessary.
- \* Check the baler parts regularly, if there is wear or damage, please do not continue to use the baler until the parts are replaced.
- \* Do not use the baler without the straps
- \* Do not modify the baler as this may cause personal injury.

## **2. Technical parameters**

### **2.1 Description of the battery strapping tool**

DS-16 battery strapping tool comes with a perfect sealing performance. It can make users enjoy an efficient way of strapping. DS-16 has its max tension power at 2500N and 9 grades can be adjusted by digital display operation. It is powered by a high-capacity 6000mah lithium battery, which makes it work 600 cycles per full charge. One of the key selling points is that it is economical compared with the similar ones in the

market. It is a good product for dealers to explore and grasp the market DS-16 is such a powerful tool and can be widely used in most industries.

## 2.2 Baler dimensions

Length: 360MM

Width: 130MM

Height: 140MM

## 2.3 Strapping materials

Straps material: PET (polyester) and PP (polypropylene) tape with a flat or embossed surface.

Straps specifications: width 9-16MM, thickness 0.4-1.2MM.

Please choose the straps of the appropriate size according to the baler you buy.

## 2.4 Straps strength

Stretching force: adjustable from 600 to 3200 N, maximum value is determined by the material of the straps.

Strap feeding in speed: 50-150MM/S. Friction strength: approx. 75% of the strength value of the straps.

## 2.5 Working environment

The ambient temperature for operation is 5-45°C, with an optimum working temperature of 15-25°C.

Use or store with care to protect against water and moisture.

# 3. Accessories



■ Note: Please use the attachments or accessories mentioned in the manual, the usage of other attachments may cause damage to the equipment or may cause personal injury.

## 3.1 Rechargeable portable baler

As the baler uses nickel-cadmium (Nicc) nickel-metal hydride (NiMH) batteries, please purchase the batteries separately according to the following parameters.

Type: Lithium Battery

Voltage: 18V

Capacity: 5000MAH

### **3.2 Battery charger**

Direct charging (optional)

Charger input voltage: AC100-240V

Output voltage: 21V, 2.5A

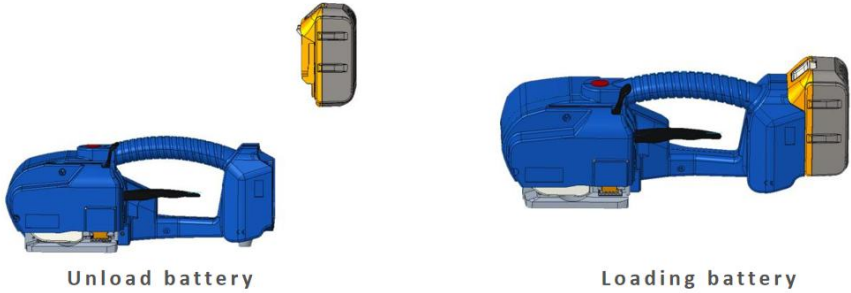
Charging time: about 90 minutes.

## **4.Operations**

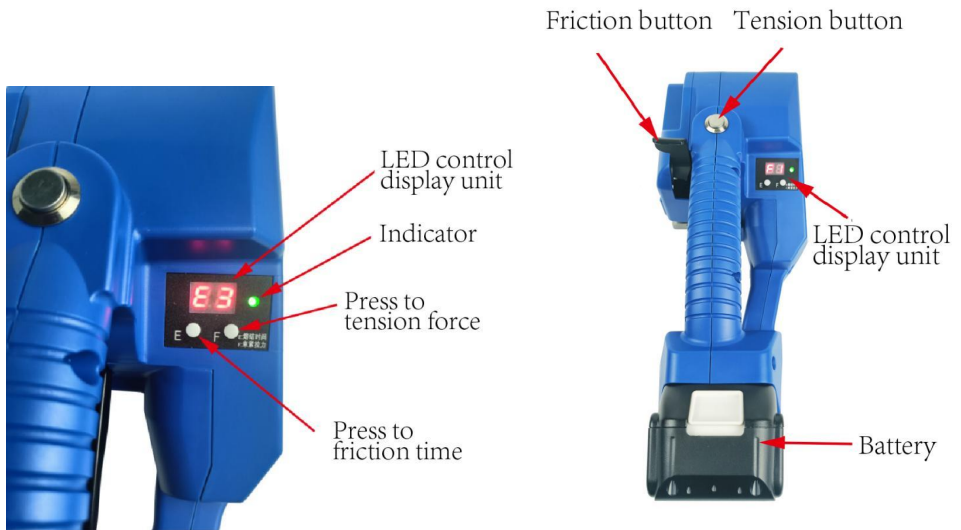
### **4.1 Battery installation**

- \* Do not leave baler batteries in the rain or water.
- \* For safety reasons the battery is delivered uncharged and separated from the device, please follow the instructions for assembly.
- \* Remove the battery by pressing the battery Clip Snap with your thumb and extracting it upwards or by releasing the Clip Snap after loading the battery.
- \* The indicator light is red when the battery is low, the indicator light is red when charging, and the charging indicator light is green when charging is complete.

### Battery disassembly diagram



## 4.2 Operating elements



## 4.3 Semi-auto mode and auto mode

L-16 has 2 tension modes: one touch to tension and press button continuously to tension. How to make mode conversion? Just press the tension button and lift the handle at one time and when the indicator flashes alternately, the mode conversion is done.



#### 4.4 Baler operations

**\*Semi-auto tension mode (press button continuously to tension)**

Step 1 Wrap and stack the straps

Please wrap the straps in the way as shown and do not allow the straps to get wet with oil or other debris at any time.



Step 2 inserts the straps into baler

When inserting the straps, the straps in the direction of tension must be stacked at the top end, the bottom strapping should be stretched to the bottom of the feeding wheel to cover the front of the tooth plate

5-10MM longer, when inserting the straps, please lift the handle with your right hand, insert the straps with your left hand, the upper and lower ends of straps must be stacked parallel to each other after releasing the lift handle.



### Step 3 Tighten or feeding in the straps

When you press the tension button and release it, the baler will give you the default preset tightening time. When the tightness is not enough or too tight, just increase or decrease the tension power grade appropriately until it is appropriate. When tightening, keep the baler moving in parallel and the forward direction of the baler free of sundries.



### Step 4 Welding the straps

After pressing friction the button, the baler automatically seals and

cuts the straps(the time is preset by the system and can be increased or decreased adjust the friction time grade).



Step 5 Move away the baler

When the bonding operation is complete, lift the handle and feeding wheel run reversely to loose the straps accordingly and then move away the baler.



\*One touch to tension mode

Step 1 Wrap and stack the straps

Please wrap the straps in the way as shown and do not allow the

straps to get wet with oil or other debris at any time.



Step 2 inserts the straps into baler

When inserting the straps, the straps in the direction of tension must be stacked at the top end, the bottom strapping should be stretched to the bottom of the feeding wheel to cover the front of the tooth plate 5-10MM longer, when inserting the straps, please lift the handle with your right hand, insert the straps with your left hand, the upper and lower ends of straps must be stacked parallel to each other after releasing the lift handle.



Step 3 Tighten straps

When you press the tension button and release it, the baler will tension straps automatically.



#### Step 4 Welding the straps

After pressing friction the button, the baler automatically seals and cuts the straps (the time is preset by the system and can be increased or decreased adjust the friction time grade).



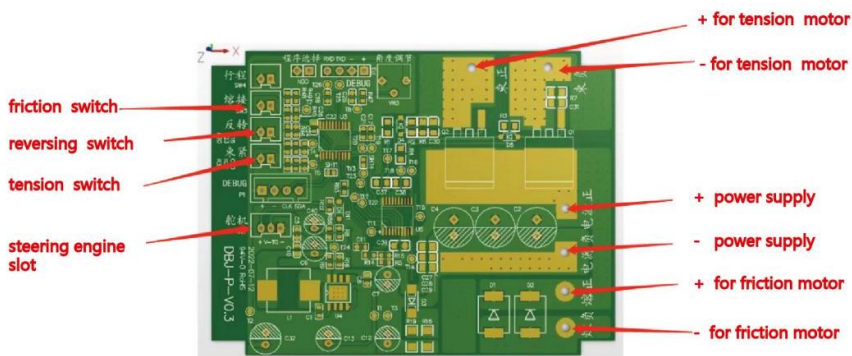
#### Step 5 Move away the baler

When the bonding operation is complete, lift the handle and feeding wheel run reversely to loose the straps accordingly and then move away

the baler.



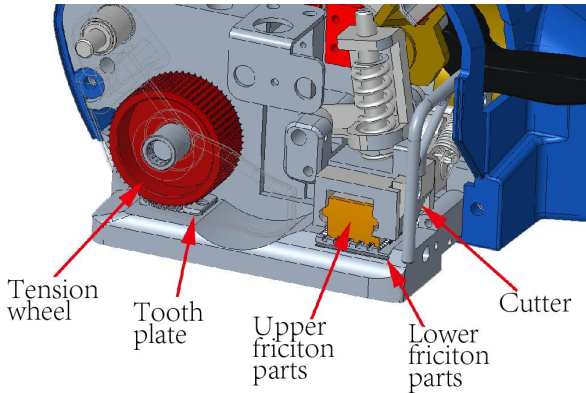
## 5. Electrical connections



## 6. Wear parts replacement & bonding state adjustment

■ Note: Please disconnect the power switch and remove the batteries before each service.

### 6.1 Wear parts replacement



**Cutter (JD-PSE-G016):** First loosen the screw on the left cover plate (JD-L16-G01) and remove it, then remove the screw on the cutter and remove the cutter for replacement. After installing the cutter, install it in reverse order.

**Lower toothed plate (JD-PSE-G011):** first remove the screws fixing the toothed plate and remove it, then replace the ejected toothed plate. After replacement, assemble it in the reverse order.

**Tension wheel (JD-PSE-G012):** please remove the left cover plate as described above, remove the nut fixed on the connecting shaft (JD-L16-G021), remove the Tension wheel cover (JD-L16-G007), replace the restraining wheel and replace it in reverse order.

**Lower friction part (JD-PSE-G013):** First loosen and remove the headless screws fixed on the shaft of the lower friction part, push out the lower friction part from the bottom for replacement, and then replace it in reverse order.

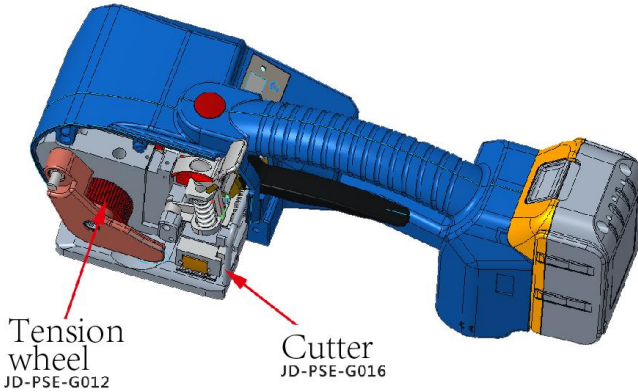
## 6.2 Tightening, bonding and cutting adjustments

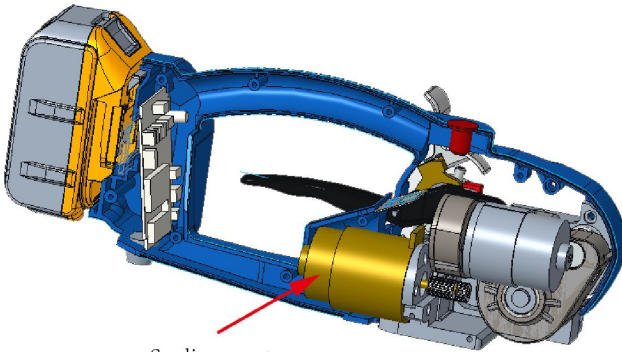
①. If the tightening slips, loosen the screws fixed on the tooth plate and install the tooth plate gasket (JD-PSE-G028) to raise the tooth plate or replace the tooth plate.

②. When using different packing belts with a thickness of 0.4-1.2MM, timely adjust the gap between the upper friction part (JD-PSE-G008) and the lower friction part, otherwise poor welding will occur. When adjusting the clearance between the upper and lower friction part, first remove the left cover plate, then loosen the remove sealing button (JD-PSE-G005), fix the lower compression shaft of the bonding plate (JD-PSE-G022) with a slotted screwdriver, and then turn the nut on the connecting shaft clockwise or counterclockwise. When rotating clockwise, the clearance between the upper and lower friction part becomes larger, and when rotating counterclockwise, the clearance becomes smaller.

③. The bonding time and the tightening force are adjusted through the digital display windows E and F on the right cover. Key E adjusts the fusion time, and key F adjusts the tightening force, increasing from grade 1 to grade 9.

④. Refer to the following chart for wear part replacement and bonding & welding time (effect) adjustment.





Sealing motor  
JDH-16-E03

## Diagram of welding & bonding effect



Perfect friction time



Friction time is too short

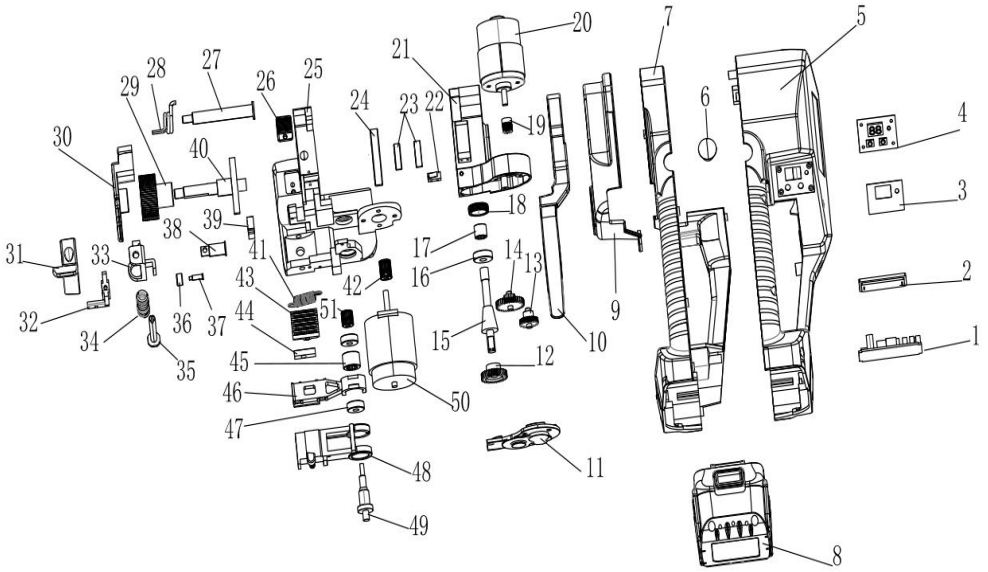


Friction time is too long

## 7.Common electrical faults

In the process of use, the baler tool suddenly jammed and LED shows red when the baling belt stuck in the machine can not be taken out, please immediately turn power off, cut off the straps to remove the straps stuck in the tool, promptly charge the battery or replace the battery. When confirming the battery has power and the fault is not eliminated, you must remove the left and right plastic covers after removing the battery to check the tool, such as checking the switches or the wiring on each switch or on motors has not fallen off, or replace the micro switch or replace the friction sealing motor.

# 8、Product exploded view and parts list



Item	Part name	Specification	Material code	Qty.
1	PCB		JD-A16-E019	1
2	Battery adapter slot		JD-L16-G06	1
3	PVC sticker		JD-L16-G07	1
4	LED display unit		JD-L16-G05	1
5	Right house		JD-L16-G03	1
6	Tension button	OD16	JD-PSE-E039	1
7	Left house		JD-L16-G02	1
8	Battery	18V, 5.0A	JD-PSE-E051	1
9	Left side cover		JD-L16-G01	1
10	Lift		JD-L16-G004	1
11	Reducer cover plate		JD-L16-G003	1
12	Connect-gear for worm		JD-PSE-G033	1
13	Variable speed gear D		JD-L16-G036	1
14	Double gear		JD-PSE-G031	1
15	Worm gear		JD-PSE-G030	1
16	Bearing 607		JD-PSE-E012	1
17	Bearing BK0810		JD-PSE-E015	1

Item	Part name	Specification	Material code	Qty.
18	Gear box tooth sleeve		JD-L16-04	1
19	gear B		JD-PSE-G032	1
20	Tension motor		JD-L16-E01	1
21	Reduction gear box		JD-L16-G002	1
22	Switch B		JD-PSE-E007	1
23	Ball bearing A 6900		JD-PSE-E010	2
24	Reducer cover		JD-PSE-G015	1
25	Body		JD-L16-G001	1
26	Tooth plate		JD-PSE-G011	1
27	M6 boss pivot pin		JD-L16-G021	1
28	Reset torsion spring		JD-PSE-G019	1
29	Tension wheel DB-009		JD-PSE-G012	1
30	Tension wheel cover		JD-L16-G007	1
31	Sealing button		JD-PSE-G005	1
32	Cam unit		JD-PSE-G014	1
33	Spring cavity DB-021		JD-PSE-G010	1
34	Compression spring		JD-PSE-G020	1

Item	Part name	Specification	Material code	Qty.
35	Shaft		JD-PSE-G022	1
36	Cam driver		JD-PSE-G038	1
37	4*12.5 pin		JD-PSE-E022	1
38	Shaft pin		JD-PSE-G023	1
39	Sealing switch A		JD-PSE-E006	1
40	Curved umbrella tooth		JD-PSE-G029	1
41	Drag spring		JD-PSE-G017-2	1
42	Synchronous wheel A		JD-PSE-G034	1
43	Lower friction parts		JD-PSE-G013	1
44	Cutter		JD-PSE-G016	1
45	Bearing A 101712		JD-PSE-E014-1	1
46	Upper friction parts		JD-PSE-G008	1
47	Bearing B 606		JD-PSE-E011	2
48	Friciton part bracket		JD-PSE-G009	1
49	Eccentric shaft		JD-PSE-G024	1
50	Sealing motor		JDH-16-E03	1
51	Synchronous wheel B		JD-PSE-G035	1

**Address:** Shuangchenglu 803nong11hao1602A-1609shi, baoshanqu, shanghai 200000 CN.

**Imported to AUS:** SIHAO PTY LTD, 1 ROKEVA STREET EASTWOOD NSW 2122 Australia

**Imported to USA:** Sanven Technology Ltd., Suite 250, 9166 Anaheim Place, Rancho Cucamonga, CA 91730

<b>EC</b>	<b>REP</b>
-----------	------------

E-CrossStu GmbH  
Mainzer Landstr.69, 60329 Frankfurt am Main.

<b>UK</b>	<b>REP</b>
-----------	------------

YH CONSULTING LIMITED.  
C/O YH Consulting Limited Office 147, Centurion House,  
London Road. Staines-upon-Thames. Surrey. TW18 4AX

# VEVOR®

**TOUGH TOOLS, HALF PRICE**

**Technical Support and E-Warranty Certificate**

**[www.vevor.com/support](http://www.vevor.com/support)**

# **VEVOR<sup>®</sup>**

**TOUGH TOOLS, HALF PRICE**

Support technique et certificat de garantie électronique

[www.vevor.com/support](http://www.vevor.com/support)

## **Machine de cerclage**

**MODÈLE: DS-16**

We continue to be committed to provide you tools with competitive price.

"Save Half", "Half Price" or any other similar expressions used by us only represents an estimate of savings you might benefit from buying certain tools with us compared to the major top brands and does not necessarily mean to cover all categories of tools offered by us. You are kindly reminded to verify carefully when you are placing an order with us if you are actually saving half in comparison with the top major brands.

# VEVOR®

TOUGH TOOLS, HALF PRICE

## STRAPPING MACHINE

Modèle : DS-16



### NEED HELP? CONTACT US!

Have product questions? Need technical support? Please feel free to contact us:

**Technical Support and E-Warranty Certificate**  
**[www.vevor.com/support](http://www.vevor.com/support)**

This is the original instruction, please read all manual instructions carefully before operating. VEVOR reserves a clear interpretation of our user manual. The appearance of the product shall be subject to the product you received. Please forgive us that we won't inform you again if there are any technology or software updates on our product.

## INSTRUCTIONS

Merci beaucoup d'avoir choisi cette machine de cerclage

- Veuillez lire toutes les instructions avant de l'utiliser. Les informations vous aideront à obtenir les meilleurs résultats possibles.

Les produits présentés dans ce catalogue peuvent avoir une couleur différente de celle de l'article réel .

### 1. Consignes de sécurité

Une formation correcte est requise. Le personnel non correctement formé n'est pas autorisé à utiliser la cerceuse. Une utilisation incorrecte peut entraîner des dommages matériels ou des blessures corporelles.

#### 1.1 Fonctionnement sur batterie

\*Protection environnementale

Veuillez ne pas jeter la batterie usagée dans la poubelle domestique ou dans le seau d'eaux usées, veuillez ne pas frapper ou brûler la batterie usagée.

\* Risque de court-circuit

Ne stockez pas les piles avec d'autres objets métalliques. Veuillez ne pas démonter les piles vous-même et les stocker dans un endroit sec et résistant au gel. La température ambiante ne doit pas dépasser 50 degrés.

Ne chargez pas les piles usagées et remplacez-les par des neuves lorsqu'elles sont endommagées ou inutilisables.

#### 1.2 Risques de blessures aux yeux

**Veuillez** porter des lunettes de protection pour éviter d'endommager vos yeux lorsque vous utilisez ce produit.

#### 1.3 Fonctionnement

Veuillez lire attentivement les instructions et vous entraîner correctement avant utilisation. Les personnes qui n'ont pas été correctement formées ne sont pas autorisées à utiliser la presse à balles avant de serrer les sangles, si les instructions ne sont pas suivies ou si le cerclage est chargé de manière déraisonnable, cela peut entraîner une

rupture du cerclage ou une panne de la machine. Ne posez pas vos mains sur la zone de reliure, la zone de collage ou la zone de coupe du cutter tant que vous n'êtes pas familiarisé avec la presse à balles. Placez votre main sur la zone de reliure, la zone de collage et la zone de coupe. découpe au cutter.

#### **1.4 Zone de soudage par friction**

Vous devez vérifier l'état de la zone de soudage par friction et vous familiariser avec le contrôle et le réglage du temps de friction et du temps de serrage. Un temps de friction irrégulier peut entraîner une mauvaise adhérence et entraîner de graves dommages. Veuillez donc ne pas expédier ou transporter des boîtes qui n'ont pas été correctement emballées et manipulées.

#### **1.5 Répartition des sangles d'emballage**

Veuillez utiliser le chariot du plateau de ceinture spécialement conçu pour distribuer les sangles. Lorsqu'elles ne sont pas utilisées, fixez l'extrémité des sangles dans l'ouverture de fixation des sangles.

#### **1.6 Avertissement concernant les sangles**

N'utilisez pas de sangles pour traîner ou soulever des charges car cela pourrait entraîner des dommages matériels ou des blessures corporelles.

#### **1.7 Risques de rupture de sangle**

Mauvais fonctionnement ; trop serré; ne pas utiliser le cerclage comme requis entraînera la perte de la force de tension ou la rupture du cerclage, ce qui pourrait éventuellement endommager la boîte/les marchandises et briser l'objet, faire perdre l'équilibre et tomber à l'opérateur ou provoquer la machine de cerclage. et le cerclage heurte rapidement le visage de l'opérateur, provoquant ainsi des blessures.



#### **■ Remarque :**

\* Si la charge est remplie de bords tranchants, veuillez ajouter une protection des bords.

\* Enroulez les sangles autour de la zone appropriée à attacher.

\* L'opérateur ne doit pas être dans la même position en ligne droite que la

cercleuse pendant le serrage et la friction pour éviter que la presse à balles et les sangles ne basculent sur le visage de l'opérateur. Et rappelez ou demandez aux spectateurs de rester à l'écart de la zone d'exploitation pendant le fonctionnement. Veuillez également utiliser le cerclage avec les spécifications de largeur et de résistance recommandées, ce qui contribuera à améliorer la qualité et l'efficacité de l'emballage, car un cerclage inadapté peut provoquer la rupture du cerclage ou le détachement de la boîte pendant le transport.

### **1.8 Coupe des sangles**

Lors de la coupe des sangles, veuillez utiliser l'outil de coupe approprié et garder une distance de sécurité avec les personnes, pas dans la même ligne que les sangles et loin de la direction lâche du cerclage. Veuillez utiliser les outils spécialement conçus pour couper les sangles, pas de marteaux, pinces, haches, scies à métaux, etc.

### **1.9 Risques de glissades et de chutes**

Veuillez garder la zone de cerclage propre et bien rangée, car des zones de travail en désordre peuvent provoquer des accidents et des chutes peuvent survenir si vous n'atterrissez pas bien ou si vous êtes déséquilibré avant la tension, en particulier dans les petites zones de travail telles que les cages d'escalier. Essayez de garder votre équilibre lors de la manipulation. Les deux pieds doivent être sur une surface plane et ferme en même temps. N'utilisez pas l'appareil si vous n'êtes pas bien ou dans une condition physique difficile.

Veuillez noter les précautions mentionnées spécifiquement pour la zone de travail.

### **1.10 Dangers de la presse à balles**

- \* Un bon entretien de la presse est très nécessaire.
- \* Vérifiez régulièrement les pièces de la presse. En cas d'usure ou de dommages, veuillez ne pas continuer à utiliser la presse jusqu'à ce que les pièces soient remplacées.
- \* N'utilisez pas la presse sans les sangles
- \* Ne modifiez pas la presse car cela pourrait provoquer des blessures.

## 2. Paramètres techniques

### 2.1 Description de l'outil de cerclage sur batterie

L'outil de cerclage de batterie DS-16 offre des performances d'étanchéité parfaites. Il peut permettre aux utilisateurs de profiter d'un moyen de cerclage efficace. Le DS-16 a sa puissance de tension maximale de 2 500 N et 9 niveaux peuvent être ajustés par affichage numérique. Il est alimenté par une batterie au lithium haute capacité de 6 000 mAh, ce qui lui permet de fonctionner 600 cycles par charge complète. L'un des principaux arguments de vente est qu'il est économique par rapport aux produits similaires disponibles sur le marché. C'est un bon produit pour que les concessionnaires explorent et saisissent le marché. Le DS-16 est un outil si puissant et peut être largement utilisé dans la plupart des industries.

### 2.2 Dimensions de la presse

Longueur: 3 600 MM

Largeur: 130 MM

Hauteur: 1 400 MM

### 2.3 Matériaux de cerclage

Matériau des sangles : ruban PET (polyester) et PP (polypropylène) à surface plane ou gaufrée.

Spécifications des sangles: largeur 9-16MM, épaisseur 0.4-1.2MM .

Veillez choisir les sangles de la taille appropriée en fonction de la presse à balles que vous achetez.

### 2.4 Résistance des sangles

Force d'éirement : réglable de 600 à 3200 N, la valeur maximale est déterminée par le matériau des sangles.

Vitesse d'alimentation de la sangle : 50-150 MM/S. Résistance au frottement : env. 75 % de la valeur de résistance des sangles.

### 2.5 Environnement de travail

La température ambiante de fonctionnement est de 5 à 45 °C, avec une température de fonctionnement optimale de 15 à 25 °C.

Utiliser ou conserver avec soin pour se protéger de l'eau et de l'humidité.

## 3. Accessoires



■ Remarque : Veuillez utiliser les accessoires ou les accessoires mentionnés dans le manuel, l'utilisation d'autres accessoires peut endommager l'équipement ou provoquer des blessures.

### 3.1 Presse à balles portative rechargeable

Étant donné que la presse utilise des batteries nickel-cadmium (Nicc) nickel-hydrure métallique (NiMH), veuillez acheter les batteries séparément en fonction des paramètres suivants.

Type : batterie au lithium.

Tension : 18 V.

Capacité: 5000 MAH

### 3.2 Chargeur de batterie

Chargement direct (en option)

Tension d'entrée du chargeur : AC100-240 V.

Tension de sortie : 21 V, 2,5 A.

Temps de charge : environ 90 minutes.

## 4. Opérations

### 4.1 Installation de la batterie

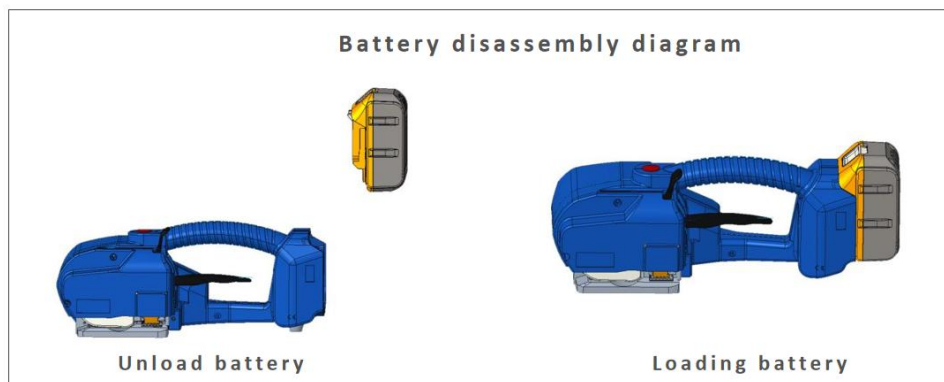
\* Ne laissez pas les batteries de la presse à balles sous la pluie ou dans l'eau.

\* Pour des raisons de sécurité, la batterie est livrée non chargée et séparée de l'appareil, veuillez suivre les instructions de montage.

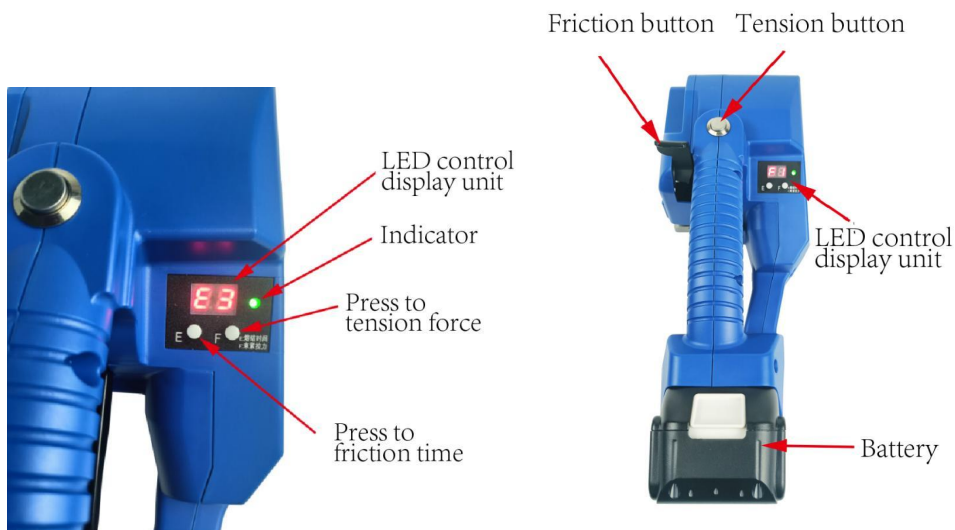
\* Retirez la batterie en appuyant sur le Clip Snap de la batterie avec votre pouce et en l'extrayant vers le haut ou en relâchant le Clip Snap après avoir chargé la batterie.

\* Le voyant est rouge lorsque la batterie est faible, le voyant est rouge lors

de la charge et le voyant de charge est vert lorsque la charge est terminée.



## 4.2 Éléments de commande



## 4.3 Mode semi-automatique et mode automatique

Le L-16 dispose de 2 modes de tension : une touche pour tendre et appuyer continuellement sur le bouton pour tendre. Comment faire une conversion de mode ? Appuyez simplement sur le bouton de tension et soulevez la poignée en même temps et lorsque l'indicateur clignote

alternativement, la conversion de mode est effectuée.



#### 4.4 Opérations de la presse

**\*Mode de tension semi-automatique (appuyez continuellement sur le bouton pour tendre)**

Étape 1 Enroulez et empilez les sangles

Veuillez enrouler les sangles de la manière indiquée et ne laissez à aucun moment les sangles être mouillées par de l'huile ou d'autres débris.



L'étape 2 insère les sangles dans la presse

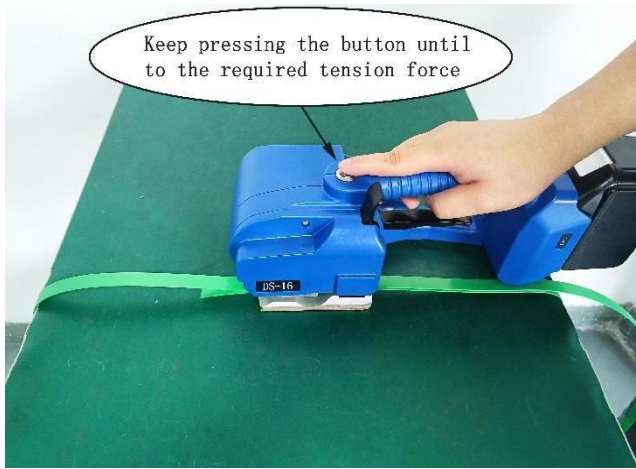
Lors de l'insertion des sangles, les sangles dans le sens de la tension doivent être empilées à l'extrémité supérieure, la sangle inférieure doit être

étirée jusqu'au bas de la roue d'alimentation pour couvrir l'avant de la plaque dentaire 5 à 10 mm plus longtemps, lors de l'insertion des sangles. , veuillez soulever la poignée avec votre main droite, insérez les sangles avec votre main gauche, les extrémités supérieure et inférieure des sangles doivent être empilées parallèlement les unes aux autres après avoir relâché la poignée de levage.



### Étape 3 Serrez ou introduisez les sangles

Lorsque vous appuyez sur le bouton de tension et que vous le relâchez, la presse vous donnera le temps de serrage prédéfini par défaut. Lorsque l'étanchéité n'est pas suffisante ou trop serrée, augmentez ou diminuez simplement le niveau de puissance de tension de manière appropriée jusqu'à ce qu'elle soit appropriée. Lors du serrage, gardez la presse à balles en mouvement parallèle et dans la direction avant de la presse sans objets divers.



#### Étape 4 Souder les sangles

Après avoir appuyé sur le bouton par friction, la presse scelle et coupe automatiquement les sangles (le temps est prédéfini par le système et peut être augmenté ou diminué pour ajuster le niveau de temps de friction).



#### Étape 5 Éloignez la presse

Une fois l'opération de liage terminée, soulevez la poignée et la roue d'alimentation en sens inverse pour desserrer les sangles en conséquence, puis éloignez la presse.



\*Une touche pour le mode tension

Étape 1 Enroulez et empilez les sangles

Veillez enrouler les sangles de la manière indiquée et ne laissez à aucun moment les sangles être mouillées par de l'huile ou d'autres débris.



L'étape 2 insère les sangles dans la presse

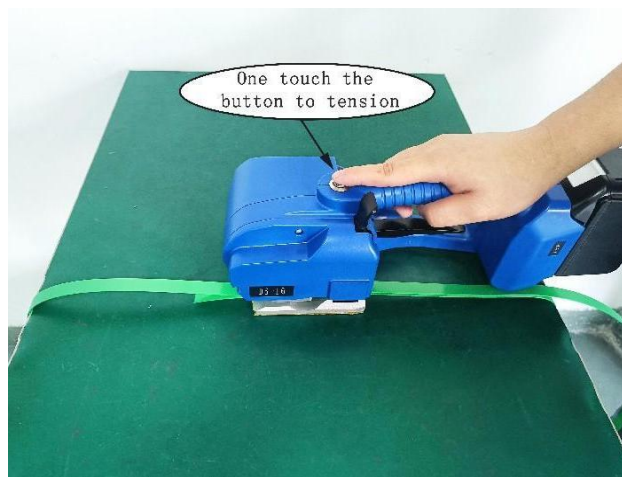
Lors de l'insertion des sangles, les sangles dans le sens de la tension doivent être empilées à l'extrémité supérieure, la sangle inférieure doit être étirée jusqu'au bas de la roue d'alimentation pour couvrir l'avant de la

plaque dentaire 5 à 10 mm plus longtemps, lors de l'insertion des sangles. , veuillez soulever la poignée avec votre main droite, insérez les sangles avec votre main gauche, les extrémités supérieure et inférieure des sangles doivent être empilées parallèlement les unes aux autres après avoir relâché la poignée de levage.



### Étape 3 Serrez les sangles

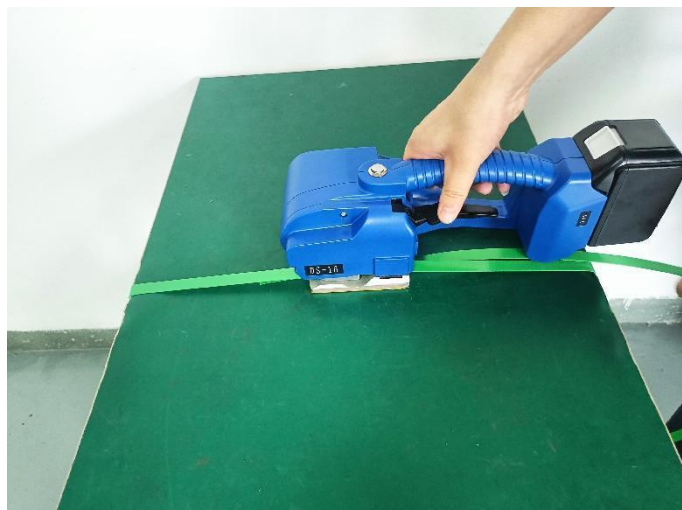
Lorsque vous appuyez sur le bouton de tension et que vous le relâchez, la presse à balles tend automatiquement les sangles.



### Étape 4 Souder les sangles

Après avoir appuyé sur le bouton par friction, la presse scelle et coupe automatiquement les sangles (le temps est prédéfini par le système et peut

être augmenté ou diminué pour ajuster le niveau de temps de friction).

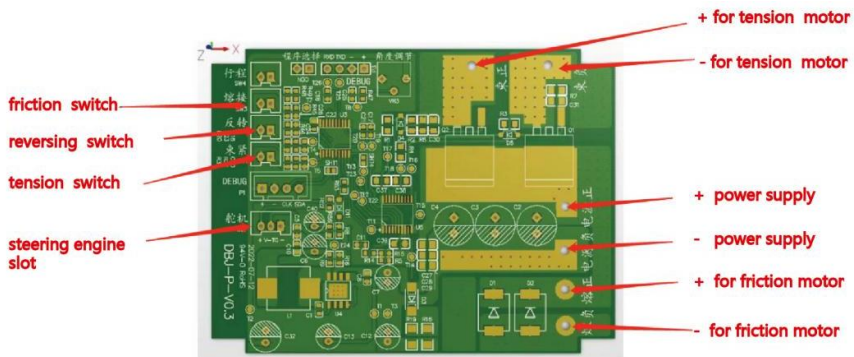


Étape 5 Éloignez la presse

Une fois l'opération de liage terminée, soulevez la poignée et la roue d'alimentation en sens inverse pour desserrer les sangles en conséquence, puis éloignez la presse.



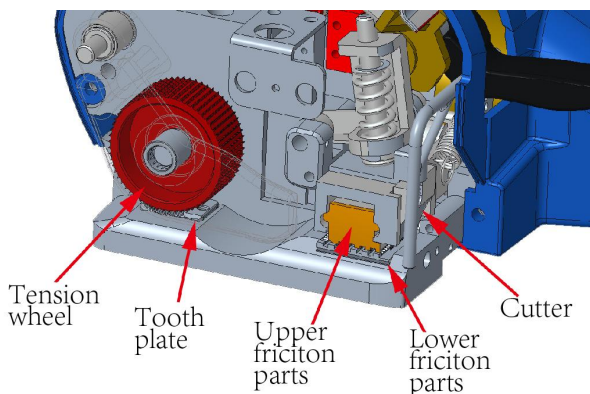
5.Connexions électriques



## 6. Remplacement des pièces d'usure et réglage de l'état de liaison

■ Remarque : Veuillez débrancher l'interrupteur d'alimentation et retirer les piles avant chaque entretien.

### 6.1 Remplacement des pièces d'usure



Couteau (JD-PSE-G016) : Desserrez d'abord la vis sur le couvercle gauche (JD-L16-G01) et retirez-la, puis retirez la vis du couteau et retirez le couteau pour le remplacer. Après avoir installé le cutter, installez-le dans l'ordre inverse.

Plaque dentée inférieure (JD-PSE-G011) : retirez d'abord les vis fixant la plaque dentée et retirez-la, puis remplacez la plaque dentée éjectée. Après

remplacement, assemblez-le dans l'ordre inverse.

Roue de tension (JD-PSE-G012) : veuillez retirer le couvercle gauche comme décrit ci-dessus, retirer l'écrou fixé sur l'arbre de connexion (JD-L16-G021), retirer le couvercle de la roue de tension (JD-L16-G007), remplacer la roue de retenue et remplacez-la dans l'ordre inverse.

Pièce de friction inférieure (JD-PSE-G013) : desserrez et retirez d'abord les vis sans tête fixées sur l'arbre de la pièce de friction inférieure, poussez la pièce de friction inférieure vers le bas pour la remplacer, puis remplacez-la dans l'ordre inverse.

## 6.2 Ajustements de serrage, de collage et de coupe

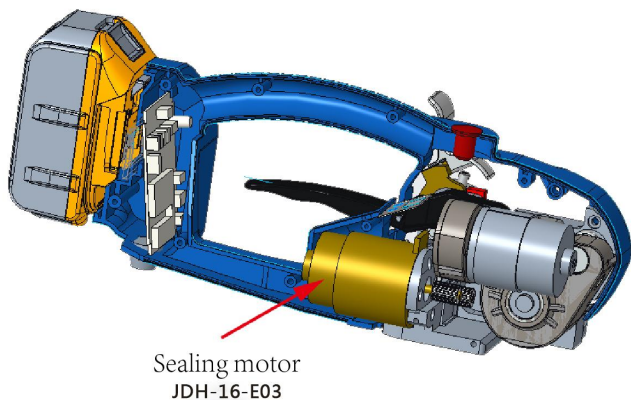
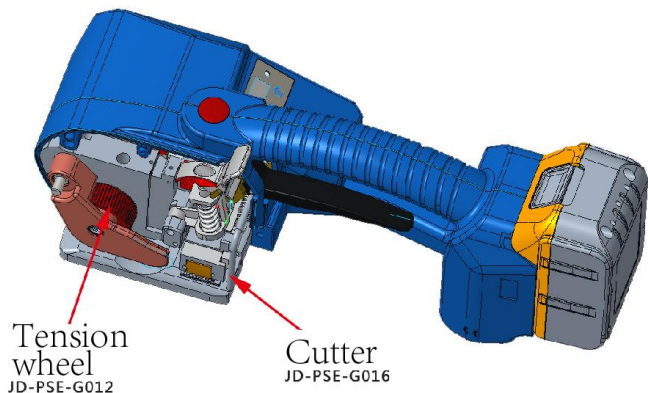
①. Si le serrage glisse, desserrez les vis fixées sur la plaque dentaire et installez le joint de la plaque dentaire (JD-PSE-G028) pour relever la plaque dentaire ou remplacer la plaque dentaire.

②. Lorsque vous utilisez différents courroies d'emballage d'une épaisseur de 0,4 à 1,2 mm, ajustez en temps opportun l'écart entre la partie de friction supérieure (JD-PSE-G008) et la partie de friction inférieure, sinon une mauvaise soudure se produira. Lors du réglage du jeu entre les parties de friction supérieure et inférieure, retirez d'abord la plaque de recouvrement gauche, puis desserrez le bouton de retrait d'étanchéité (JD-PSE-G005), fixez l'arbre de compression inférieur de la plaque de liaison (JD-PSE-G022) avec un tournevis plat, puis tournez l'écrou sur l'arbre de connexion dans le sens des aiguilles d'une montre ou dans le sens inverse. Lors d'une rotation dans le sens des aiguilles d'une montre, le jeu entre les parties de friction supérieure et inférieure devient plus grand, et lors d'une rotation dans le sens inverse des aiguilles d'une montre, le jeu devient plus petit.

③. Le temps de collage et la force de serrage sont réglés via les fenêtres d'affichage numérique E et F sur le capot droit. La touche E ajuste le temps de fusion et la touche F ajuste la force de serrage, augmentant du grade 1 au grade 9.

④. Reportez-vous au tableau suivant pour le remplacement des pièces

d'usure et le réglage du temps (effet) de liaison et de soudage.



## Schéma de l'effet de soudage et de liaison



Perfect friction time



Friction time is too short

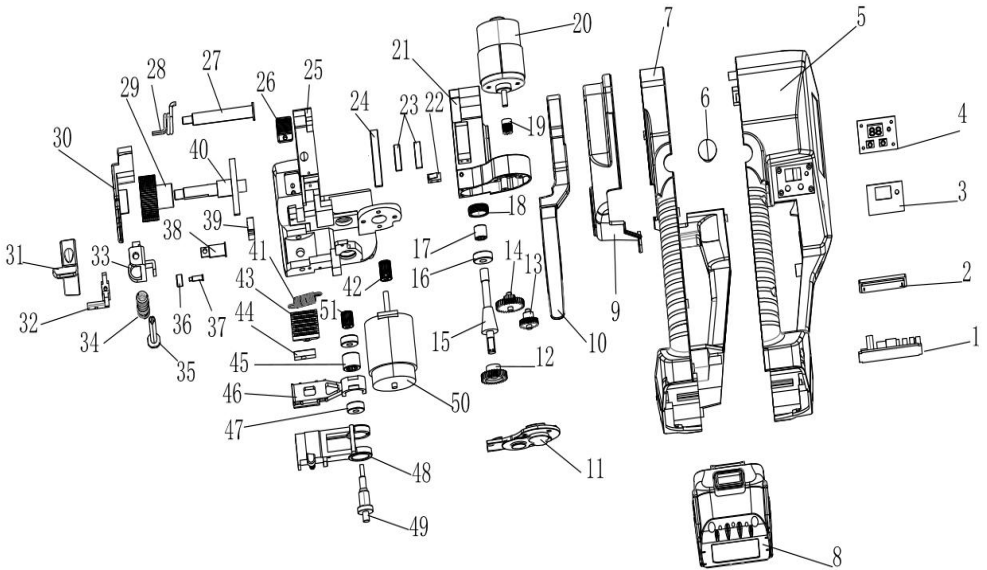


Friction time is too long

## 7. Défaits électriques courants

En cours d'utilisation, l'outil de presse s'est soudainement bloqué et la LED s'allume en rouge lorsque la courroie de pressage coincée dans la machine ne peut pas être retirée. Veuillez immédiatement éteindre l'alimentation, couper les sangles pour retirer les sangles coincées dans l'outil, charger rapidement. La batterie ou remplacer la batterie. Lorsque vous confirmez que la batterie est alimentée et que le défaut n'est pas éliminé, vous devez retirer les couvercles en plastique gauche et droit après avoir retiré la batterie pour vérifier l'outil, comme vérifier les interrupteurs ou le câblage sur chaque interrupteur ou sur les moteurs n'est pas tombé, ou remplacez le micro-interrupteur ou remplacez le moteur d'étanchéité par friction.

## 9. Vue éclatée du produit et liste des pièces



Item	Part name	Specification	Material code	Qty.
1	PCB		JD-A16-E019	1
2	Battery adapter slot		JD-L16-G06	1
3	PVC sticker		JD-L16-G07	1
4	LED display unit		JD-L16-G05	1
5	Right house		JD-L16-G03	1
6	Tension button	OD16	JD-PSE-E039	1
7	Left house		JD-L16-G02	1
8	Battery	18V, 5.0A	JD-PSE-E051	1
9	Left side cover		JD-L16-G01	1
10	Lift		JD-L16-G004	1
11	Reducer cover plate		JD-L16-G003	1
12	Connect-gear for worm		JD-PSE-G033	1
13	Variable speed gear D		JD-L16-G036	1
14	Double gear		JD-PSE-G031	1
15	Worm gear		JD-PSE-G030	1
16	Bearing 607		JD-PSE-E012	1
17	Bearing BK0810		JD-PSE-E015	1

Item	Part name	Specification	Material code	Qty.
18	Gear box tooth sleeve		JD-L16-04	1
19	gear B		JD-PSE-G032	1
20	Tension motor		JD-L16-E01	1
21	Reduction gear box		JD-L16-G002	1
22	Switch B		JD-PSE-E007	1
23	Ball bearing A 6900		JD-PSE-E010	2
24	Reducer cover		JD-PSE-G015	1
25	Body		JD-L16-G001	1
26	Tooth plate		JD-PSE-G011	1
27	M6 boss pivot pin		JD-L16-G021	1
28	Reset torsion spring		JD-PSE-G019	1
29	Tension wheel DB-009		JD-PSE-G012	1
30	Tension wheel cover		JD-L16-G007	1
31	Sealing button		JD-PSE-G005	1
32	Cam unit		JD-PSE-G014	1
33	Spring cavity DB-021		JD-PSE-G010	1
34	Compression spring		JD-PSE-G020	1

Item	Part name	Specification	Material code	Qty.
35	Shaft		JD-PSE-G022	1
36	Cam driver		JD-PSE-G038	1
37	4*12.5 pin		JD-PSE-E022	1
38	Shaft pin		JD-PSE-G023	1
39	Sealing switch A		JD-PSE-E006	1
40	Curved umbrella tooth		JD-PSE-G029	1
41	Drag spring		JD-PSE-G017-2	1
42	Synchronous wheel A		JD-PSE-G034	1
43	Lower friction parts		JD-PSE-G013	1
44	Cutter		JD-PSE-G016	1
45	Bearing A 101712		JD-PSE-E014-1	1
46	Upper friction parts		JD-PSE-G008	1
47	Bearing B 606		JD-PSE-E011	2
48	Friciton part bracket		JD-PSE-G009	1
49	Eccentric shaft		JD-PSE-G024	1
50	Sealing motor		JDH-16-E03	1
51	Synchronous wheel B		JD-PSE-G035	1

**Adresse** : Shuangchenglu 803nong11hao1602A-1609shi, baoshanqu, Shanghai 200000 CN.

**Importé en Australie** : SIHAO PTY LTD, 1 ROKEVA STREETASTWOOD NSW 2122 Australie

**Importé aux États-Unis** : Sanven Technology Ltd., Suite 250, 9166 Anaheim Place, Rancho Cucamonga, CA 91730

<b>EC</b>	<b>REP</b>
-----------	------------

E-CrossStu GmbH  
Mainzer Landstr.69, 60329 Frankfurt am Main.

<b>UK</b>	<b>REP</b>
-----------	------------

YH CONSULTING LIMITED.  
C/O YH Consulting Limited Office 147, Centurion House,  
London Road, Staines-upon-Thames, Surrey, TW18 4AX

# **VEVOR<sup>®</sup>**

**TOUGH TOOLS, HALF PRICE**

**Support technique et certificat de garantie électronique**  
**[www.vevor.com/support](http://www.vevor.com/support)**

# **VEVOR<sup>®</sup>**

**TOUGH TOOLS, HALF PRICE**

Zertifikat für technischen Support und E-Garantie

[www.vevor.com/support](http://www.vevor.com/support)

## **Umreifungsmaschine**

**MODELL: DS-16**

We continue to be committed to provide you tools with competitive price.

"Save Half", "Half Price" or any other similar expressions used by us only represents an estimate of savings you might benefit from buying certain tools with us compared to the major top brands and does not necessarily mean to cover all categories of tools offered by us. You are kindly reminded to verify carefully when you are placing an order with us if you are actually saving half in comparison with the top major brands.

# VEVOR®

TOUGH TOOLS, HALF PRICE

## STRAPPING MACHINE

Modell: DS-16



### NEED HELP? CONTACT US!

Have product questions? Need technical support? Please feel free to contact us:

**Technical Support and E-Warranty Certificate**  
**[www.vevor.com/support](http://www.vevor.com/support)**

This is the original instruction, please read all manual instructions carefully before operating. VEVOR reserves a clear interpretation of our user manual. The appearance of the product shall be subject to the product you received. Please forgive us that we won't inform you again if there are any technology or software updates on our product.

## INSTRUCTIONS

Vielen Dank, dass Sie sich für diese Umreifungsmaschine entschieden haben

- Bitte lesen Sie vor der Anwendung alle Anweisungen durch. Die Informationen helfen Ihnen dabei, die bestmöglichen Ergebnisse zu erzielen.

Die in diesem Katalog aufgeführten Produkte können farblich vom tatsächlichen Artikel abweichen .

### 1.Sicherheitshinweise

Eine korrekte Schulung ist erforderlich. Nicht geschultes Personal darf die Umreifungsmaschine nicht bedienen. Eine falsche Bedienung kann zu Geräteschäden oder Personenschäden führen.

#### 1.1 Batteriebetrieb

\*Umweltschutz

Werfen Sie die Altbatterie bitte nicht in den Hausmüll oder in den Abwässereimer, schlagen oder verbrennen Sie die Altbatterie bitte nicht.

\* Kurzschlussgefahr

Lagern Sie die Akkus nicht zusammen mit anderen Metallgegenständen. Bitte zerlegen Sie die Akkus nicht selbst und lagern Sie diese in einem trockenen und frostsicheren Raum. Die Umgebungstemperatur darf nicht höher als 50 Grad sein.

Laden Sie verbrauchte Batterien nicht auf und ersetzen Sie diese bitte durch neue, wenn sie beschädigt oder unbrauchbar sind.

#### 1.2 Gefahren durch Augenverletzungen

**Bitte** tragen Sie einen Augenschutz, um Augenschäden bei der Verwendung dieses Produkts zu vermeiden.

#### 1.3 Bedienung

Bitte lesen Sie die Anweisungen sorgfältig durch und trainieren Sie vor der Verwendung ordnungsgemäß. Personen ohne entsprechende Schulung dürfen die Ballenpresse nicht bedienen, bevor die Gurte

gespannt sind, die Anweisungen nicht befolgt werden oder das Gurtband unangemessen belastet wird, kann dies zum Bruch des Gurtbandes oder zum Ausfall der Maschine führen. Legen Sie Ihre Hände nicht auf den Bindungsbereich, den Klebebereich oder den Schneidbereich des Schneidgeräts, bis Sie mit der Ballenpresse vertraut sind. Legen Sie Ihre Hand auf den Bindungsbereich, den Klebebereich und den Fräserausschnitt.

#### **1.4 Reibschweißbereich**

Sie sollten den Zustand des Reibschweißbereichs überprüfen und sich mit der Steuerung und Einstellung der Reibzeit und der Anziehzeit vertraut machen. Eine unregelmäßige Reibzeit kann zu einer schlechten Verbindung und zu schweren Schäden führen. Versenden oder transportieren Sie daher keine Kartons, die nicht ordnungsgemäß verpackt und behandelt wurden.

#### **1.5 Verteilung der Packbänder**

Zur Ausgabe der Gurte verwenden Sie bitte den speziell dafür vorgesehenen Gurtablagerwagen. Bei Nichtgebrauch fixieren Sie die Gurtenden in der dafür vorgesehenen Gurtfixierungsöffnung.

#### **1.6 Gurtwarnung**

Verwenden Sie keine Gurte zum Ziehen oder Heben von Lasten, da dies zu Sachschäden oder Verletzungen führen kann.

#### **1.7 Gefahren durch Bandriss**

Unsachgemäßer Betrieb; übermäßiges Anziehen; nicht ordnungsgemäße Verwendung der Umreifung führt zum Verlust der Spannkraft oder zum Reißen der Umreifung, was letztendlich zur Beschädigung der Kiste/Ladung und zum Zerbrechen des Objekts führen kann, oder dazu, dass der Bediener das Gleichgewicht verliert und stürzt, oder dass die Umreifungsmaschine und die Umreifung zusammen schnell in das Gesicht des Bedieners fliegen und Verletzungen verursachen.



\* Bei Ladung mit scharfen Kanten bitte Kantenschutz anbringen.

\* Wickeln Sie die Gurte um den entsprechenden Bereich, der

festgeschnallt werden soll.

\* Der Bediener sollte sich während des Spannens und der Reibung nicht in derselben geraden Position wie die Umreifungsmaschine befinden, um zu verhindern, dass die Ballenpresse und die Bänder in das Gesicht des Bedieners kippen. Erinnern Sie Umstehende daran oder bitten Sie sie, sich während des Betriebs vom Arbeitsbereich fernzuhalten. Bitte verwenden Sie auch Umreifungsbänder mit den empfohlenen Breiten- und Festigkeitsspezifikationen, um die Qualität und Effizienz der Verpackung zu verbessern, da ungeeignete Umreifungsbänder dazu führen können, dass die Umreifungsbänder reißen oder sich der Karton während des Transports löst.

### **1.8 Bänder schneiden**

Verwenden Sie beim Schneiden der Bänder bitte das entsprechende Schneidwerkzeug und halten Sie einen Sicherheitsabstand zu Personen ein, nicht in der gleichen Linie wie die Bänder und weg von der losen Richtung des Bandes. Bitte verwenden Sie die speziell zum Schneiden von Bändern entwickelten Werkzeuge, keine Hämmer, Zangen, Äxte, Metallsägen usw.

### **1.9 Rutsch- und Sturzgefahr**

Bitte halten Sie den Umreifungsbereich sauber und ordentlich, da unordentliche Arbeitsbereiche zu Unfällen führen können und es zu Stürzen kommen kann, wenn Sie nicht gut landen oder vor dem Spannen aus dem Gleichgewicht geraten, insbesondere in kleinen Arbeitsbereichen wie Treppenhäusern. Versuchen Sie, bei der Handhabung das Gleichgewicht zu halten. Beide Füße müssen gleichzeitig auf einem ebenen und festen Untergrund stehen. Betreiben Sie das Gerät nicht, wenn Sie sich unwohl fühlen oder sich in einer schwierigen körperlichen Verfassung befinden.

Bitte beachten Sie die speziell für den Arbeitsbereich genannten Vorsichtsmaßnahmen.

### **1.10 Gefahren der Ballenpresse**

\* Eine gute Wartung der Ballenpresse ist unbedingt erforderlich.

\* Überprüfen Sie die Teile der Ballenpresse regelmäßig. Bei Verschleiß oder Beschädigung verwenden Sie die Ballenpresse bitte nicht weiter, bis

die Teile ausgetauscht wurden.

\* Benutzen Sie die Ballenpresse nicht ohne Gurte

\* Modifizieren Sie die Ballenpresse nicht, da dies zu Verletzungen führen kann.

## 2. Technische Parameter

### 2.1 Beschreibung des Akku-Umreifungsgerätes

Das Akku-Umreifungsgerät DS-16 bietet eine perfekte Versiegelungsleistung. Es ermöglicht Benutzern eine effiziente Umreifung. Die maximale Spannkraft des DS-16 beträgt 2500 N und 9 Stufen können über die digitale Anzeige eingestellt werden. Es wird von einer 6000-mAh-Lithiumbatterie mit hoher Kapazität angetrieben, die 600 Zyklen pro voller Ladung ermöglicht. Eines der wichtigsten Verkaufsargumente ist, dass es im Vergleich zu ähnlichen Geräten auf dem Markt preisgünstig ist. Es ist ein gutes Produkt für Händler, um den Markt zu erkunden und zu erobern. Das DS-16 ist ein so leistungsstarkes Werkzeug und kann in den meisten Branchen weit verbreitet eingesetzt werden.

### 2.2 Abmessungen der Ballenpresse

Länge: 3,60 mm

Breite: 13 0 MM

Höhe: 1 4 0 mm

### 2.3 Umreifungsmaterialien

Bandmaterial: PET (Polyester) und PP (Polypropylen) Band mit flacher oder geprägter Oberfläche.

Riemenspezifikationen: Breite 9–16 mm, Dicke 0,4–1,2 mm.

Bitte wählen Sie die Riemen in der passenden Größe entsprechend der von Ihnen gekauften Ballenpresse.

### 2.4 Gurtstärke

Dehnkraft: einstellbar von 60 0 bis 32 00 N, Maximalwert wird durch das Material der Gurte bestimmt.

Bandeinzugsgeschwindigkeit: 50–150 mm/s. Reibungsstärke: ca. 75 % des Festigkeitswertes der Gurte.

## 2.5 Arbeitsumgebung

Die Umgebungstemperatur für den Betrieb beträgt 5–45 °C, die optimale Arbeitstemperatur liegt bei 15–25 °C.

Vorsichtig verwenden oder lagern, um es vor Wasser und Feuchtigkeit zu schützen.

## 3.Zubehör



■ Hinweis: Bitte verwenden Sie die im Handbuch genannten Aufsätze oder Zubehörteile. Die Verwendung anderer Aufsätze kann zu Schäden am Gerät oder zu Verletzungen führen.

### 3.1 Wiederaufladbare tragbare Ballenpresse

Da die Ballenpresse Nickel-Cadmium-Akkus (Nicc) und Nickel-Metallhydrid-Akkus (NiMH) verwendet, erwerben Sie die Akkus bitte separat gemäß den folgenden Parametern.

Typ: Lithiumbatterie

Spannung: 18 V

Kapazität: 5000 mAh

### 3.2 Batterieladegerät

Direktladung (optional)

Eingangsspannung des Ladegeräts: AC100–240 V

Ausgangsspannung: 21 V, 2,5 A

Ladezeit: ca. 90 Minuten.

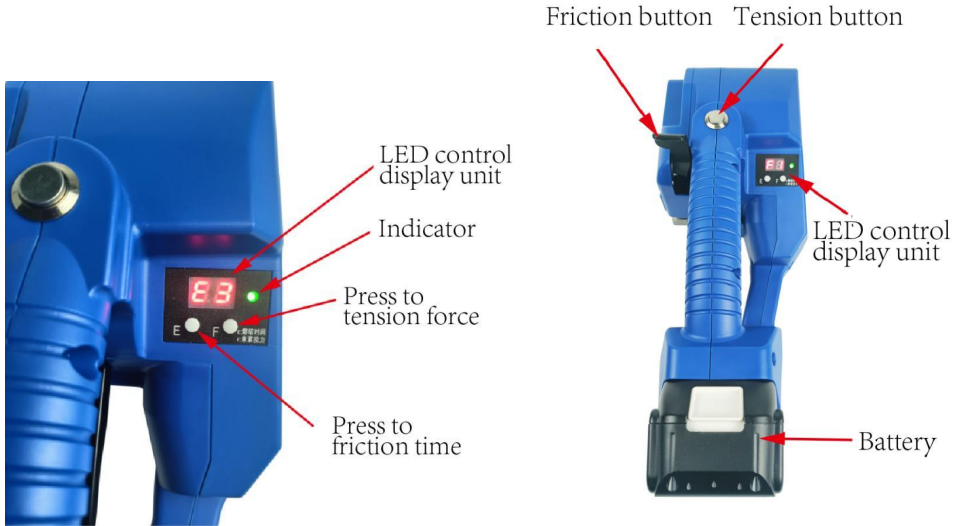
## 4.Operationen

### 4.1 Batterieinstallation

\* Lassen Sie die Batterien der Ballenpresse nicht im Regen oder im Wasser liegen.

\* Aus Sicherheitsgründen wird der Akku ungeladen und vom Gerät





### 4.3 Halbautomatischer Modus und automatischer Modus

L-16 hat 2 Spannungsmodi: einmaliges Berühren zum Spannen und kontinuierliches Drücken der Taste zum Spannen. Wie erfolgt die Modusumstellung? Drücken Sie einfach die Spannungstaste und heben Sie gleichzeitig den Griff an. Wenn die Anzeige abwechselnd blinkt, ist die Modusumstellung abgeschlossen.



## 4.4 Ballenpressenbetrieb

### \*Halbautomatischer Spannungsmodus (zum Spannen die Taste kontinuierlich drücken)

Schritt 1 Wickeln und stapeln Sie die Bänder

Bitte wickeln Sie die Gurte wie gezeigt und achten Sie darauf, dass die Gurte zu keinem Zeitpunkt mit Öl oder anderen Verunreinigungen nass werden.



Schritt 2: Fügt die Bänder in die Ballenpresse ein

Beim Einlegen der Bänder müssen die Bänder in Zugrichtung am oberen Ende gestapelt werden, das untere Umreifungsband sollte beim Einlegen der Bänder bis zur Unterseite des Vorschubrades gedehnt werden, um die Vorderseite der Zahnplatte 5-10 mm länger abzudecken Bitte heben Sie den Griff mit der rechten Hand an, führen Sie die Gurte mit der linken Hand ein. Die oberen und unteren Enden der Gurte müssen nach dem Loslassen des Hebegriiffs parallel zueinander gestapelt sein.



### Schritt 3 Spannen oder Einführen der Gurte

Wenn Sie den Spannkopf drücken und loslassen, gibt Ihnen die Ballenpresse die standardmäßig voreingestellte Spannzeit. Wenn die Spannung nicht ausreicht oder zu fest ist, erhöhen oder verringern Sie einfach die Spannungsstufe entsprechend, bis sie angemessen ist. Achten Sie beim Festziehen darauf, dass sich die Ballenpresse parallel bewegt und die Vorwärtsrichtung der Ballenpresse frei von Kleinteilen ist.



### Schritt 4: Verschweißen der Gurte

Nach dem Drücken der Reibungstaste versiegelt und schneidet die Ballenpresse die Bänder automatisch (die Zeit wird vom System voreingestellt und kann durch Anpassen der Reibungszeit erhöht oder verringert werden).



Schritt 5 Die Ballenpresse wegbewegen

Wenn der Bindevorgang abgeschlossen ist, heben Sie den Griff an und lassen Sie das Zuführrad rückwärts laufen, um die Bänder entsprechend zu lösen, und bewegen Sie dann die Ballenpresse weg.



\*Ein Tastendruck zum Spannungsmodus

Schritt 1 Wickeln und stapeln Sie die Bänder

Bitte wickeln Sie die Gurte wie gezeigt und achten Sie darauf, dass die Gurte zu keinem Zeitpunkt mit Öl oder anderen Verunreinigungen nass werden.



### Schritt 2: Fügt die Bänder in die Ballenpresse ein

Beim Einführen der Bänder müssen die Bänder in Spannungsrichtung am oberen Ende gestapelt werden, das untere Band sollte bis zur Unterseite des Zuführrads gespannt werden, um die Vorderseite der Zahnplatte 5–10 mm länger abzudecken. Heben Sie beim Einführen der Bänder bitte den Griff mit der rechten Hand an und führen Sie die Bänder mit der linken Hand ein. Die oberen und unteren Enden der Bänder müssen nach dem Loslassen des Hebegriffs parallel zueinander gestapelt werden.



### Schritt 3 Gurte festziehen

Wenn Sie den Spannungsknopf drücken und loslassen, spannt die

Ballenpresse die Bänder automatisch.



#### Schritt 4 Verschweißen der Bänder

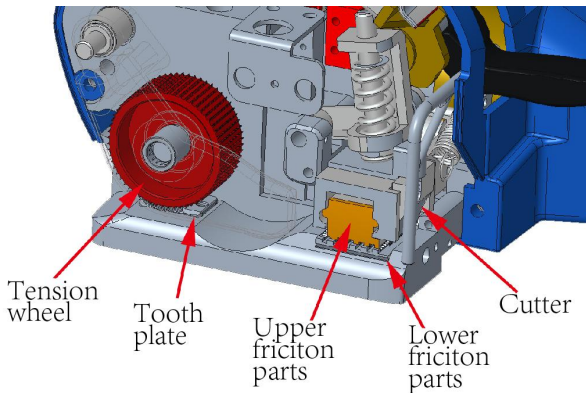
Nach dem Drücken der Reibungstaste versiegelt und schneidet die Ballenpresse die Bänder automatisch (die Zeit wird vom System voreingestellt und kann durch Anpassen der Reibungszeit erhöht oder verringert werden).



#### Schritt 5 Die Ballenpresse wegbewegen

Wenn der Bindevorgang abgeschlossen ist, heben Sie den Griff an und lassen Sie das Zuführrad rückwärts laufen, um die Bänder entsprechend





Fräser (JD-PSE-G016): Lösen Sie zuerst die Schraube an der linken Abdeckplatte (JD-L16-G01) und entfernen Sie sie. Entfernen Sie dann die Schraube am Fräser und entnehmen Sie den Fräser zum Austausch. Installieren Sie den Fräser nach der Installation in umgekehrter Reihenfolge.

Untere Zahnplatte (JD-PSE-G011): Entfernen Sie zuerst die Schrauben, mit denen die Zahnplatte befestigt ist, und entfernen Sie sie. Ersetzen Sie dann die ausgeworfene Zahnplatte. Nach dem Ersetzen bauen Sie sie in umgekehrter Reihenfolge zusammen.

Spannrad (JD-PSE-G012): Bitte entfernen Sie die linke Abdeckplatte wie oben beschrieben, entfernen Sie die an der Verbindungswelle befestigte Mutter (JD-L16-G021), entfernen Sie die Spannradabdeckung (JD-L16-G007) und ersetzen Sie sie. Entfernen Sie das Rückhalterad und tauschen Sie es in umgekehrter Reihenfolge aus.

Unteres Reibungsteil (JD-PSE-G013): Lösen und entfernen Sie zuerst die kopflosen Schrauben, die an der Welle des unteren Reibungsteils befestigt sind, drücken Sie das untere Reibungsteil zum Austausch von unten heraus und setzen Sie es dann in umgekehrter Reihenfolge wieder ein.

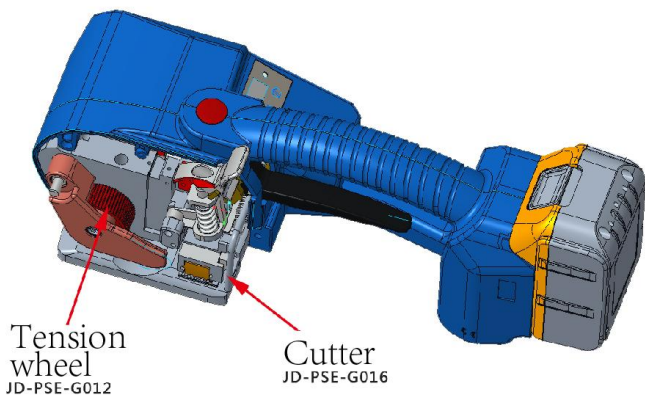
## 6.2 Anzieh-, Klebe- und Schnitteinstellungen

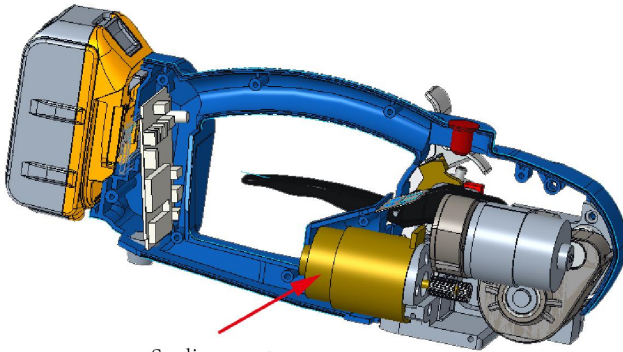
①. Wenn das Anziehen rutscht, lösen Sie die an der Zahnplatte befestigten Schrauben und installieren Sie die Zahnplattendichtung (JD-PSE-G028), um die Zahnplatte anzuheben oder die Zahnplatte auszutauschen.

②. Wenn Sie verschiedene Packbänder mit einer Dicke von 0,4–1,2 mm verwenden, stellen Sie den Spalt zwischen dem oberen Reibungsteil (JD-PSE-G008) und dem unteren Reibungsteil rechtzeitig ein, da sonst eine schlechte Schweißung auftritt. Wenn Sie den Abstand zwischen dem oberen und unteren Reibungsteil einstellen, entfernen Sie zuerst die linke Abdeckplatte, lösen Sie dann den Knopf zum Entfernen der Dichtung (JD-PSE-G005) und befestigen Sie den unteren Kompressionsschaft der Verbindungsplatte (JD-PSE-G022). einen Schlitzschraubendreher und drehen Sie dann die Mutter an der Verbindungswelle im oder gegen den Uhrzeigersinn. Bei einer Drehung im Uhrzeigersinn wird das Spiel zwischen dem oberen und unteren Reibteil größer, bei einer Drehung gegen den Uhrzeigersinn wird das Spiel kleiner.

③. Die Klebezeit und die Anzugskraft werden über die digitalen Anzeigefenster E und F auf der rechten Abdeckung eingestellt. Taste E stellt die Schweißzeit ein und Taste F regelt die Anzugskraft, die von Stufe 1 bis Stufe 9 erhöht wird.

④. Informationen zum Ersetzen von Verschleißteilen und zur Anpassung der Klebe- und Schweißzeit (Wirkung) finden Sie in der folgenden Tabelle.





Sealing motor  
JDH-16-E03

## Diagramm des Schweiß- und Klebeffekts



Perfect friction time



Friction time is too short



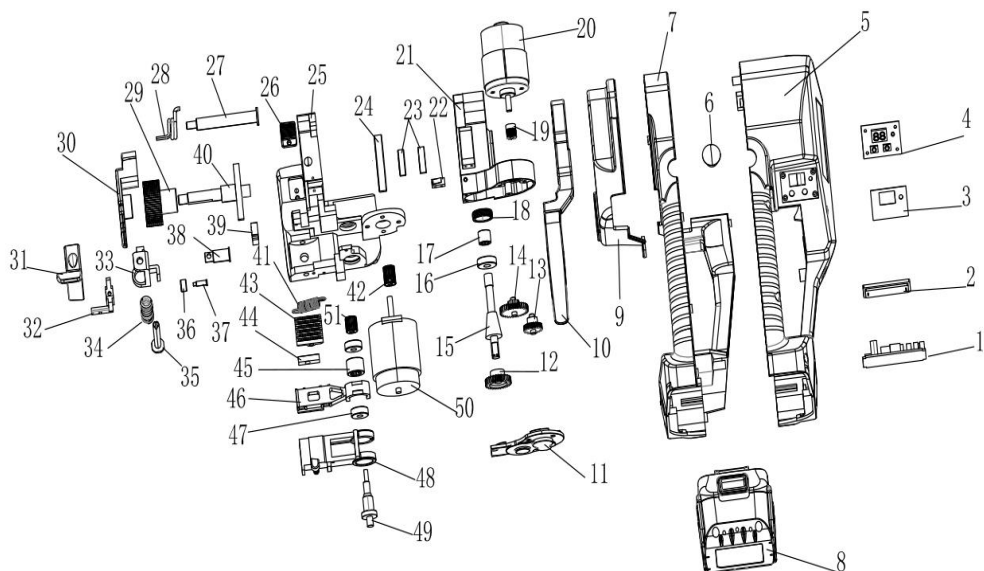
Friction time is too long

## 7.Häufige elektrische Fehler

Während des Gebrauchs klemmt das Ballenpressenwerkzeug plötzlich und die LED leuchtet rot, wenn das in der Maschine feststeckende Ballenpressenband nicht herausgenommen werden kann. Schalten Sie bitte sofort die Stromversorgung aus und schneiden Sie die Bänder durch, um die im Werkzeug feststeckenden Bänder zu lösen. Laden Sie die Batterie umgehend auf oder ersetzen Sie die Batterie. Wenn Sie bestätigt haben, dass die Batterie Strom hat und der Fehler nicht behoben ist, müssen Sie nach dem Herausnehmen der Batterie die linke und rechte Kunststoffabdeckung entfernen, um das Werkzeug zu überprüfen.

Überprüfen Sie beispielsweise, dass die Schalter oder die Verkabelung an jedem Schalter oder an den Motoren nicht abgefallen ist, oder ersetzen Sie den Mikroschalter bzw. den Reibungsdichtungsmotor.

## 10、Produktexplosionszeichnung und Teileliste



Item	Part name	Specification	Material code	Qty.
1	PCB		JD-A16-E019	1
2	Battery adapter slot		JD-L16-G06	1
3	PVC sticker		JD-L16-G07	1
4	LED display unit		JD-L16-G05	1
5	Right house		JD-L16-G03	1
6	Tension button	OD16	JD-PSE-E039	1
7	Left house		JD-L16-G02	1
8	Battery	18V, 5.0A	JD-PSE-E051	1
9	Left side cover		JD-L16-G01	1
10	Lift		JD-L16-G004	1
11	Reducer cover plate		JD-L16-G003	1
12	Connect-gear for worm		JD-PSE-G033	1
13	Variable speed gear D		JD-L16-G036	1
14	Double gear		JD-PSE-G031	1
15	Worm gear		JD-PSE-G030	1
16	Bearing 607		JD-PSE-E012	1
17	Bearing BK0810		JD-PSE-E015	1

Item	Part name	Specification	Material code	Qty.
18	Gear box tooth sleeve		JD-L16-04	1
19	gear B		JD-PSE-G032	1
20	Tension motor		JD-L16-E01	1
21	Reduction gear box		JD-L16-G002	1
22	Switch B		JD-PSE-E007	1
23	Ball bearing A 6900		JD-PSE-E010	2
24	Reducer cover		JD-PSE-G015	1
25	Body		JD-L16-G001	1
26	Tooth plate		JD-PSE-G011	1
27	M6 boss pivot pin		JD-L16-G021	1
28	Reset torsion spring		JD-PSE-G019	1
29	Tension wheel DB-009		JD-PSE-G012	1
30	Tension wheel cover		JD-L16-G007	1
31	Sealing button		JD-PSE-G005	1
32	Cam unit		JD-PSE-G014	1
33	Spring cavity DB-021		JD-PSE-G010	1
34	Compression spring		JD-PSE-G020	1

Item	Part name	Specification	Material code	Qty.
35	Shaft		JD-PSE-G022	1
36	Cam driver		JD-PSE-G038	1
37	4*12.5 pin		JD-PSE-E022	1
38	Shaft pin		JD-PSE-G023	1
39	Sealing switch A		JD-PSE-E006	1
40	Curved umbrella tooth		JD-PSE-G029	1
41	Drag spring		JD-PSE-G017-2	1
42	Synchronous wheel A		JD-PSE-G034	1
43	Lower friction parts		JD-PSE-G013	1
44	Cutter		JD-PSE-G016	1
45	Bearing A 101712		JD-PSE-E014-1	1
46	Upper friction parts		JD-PSE-G008	1
47	Bearing B 606		JD-PSE-E011	2
48	Friciton part bracket		JD-PSE-G009	1
49	Eccentric shaft		JD-PSE-G024	1
50	Sealing motor		JDH-16-E03	1
51	Synchronous wheel B		JD-PSE-G035	1

**Adresse** : Shuangchenglu 803nong11hao1602A-1609shi, Baoshanqu, Shanghai 200000 CN.

**Importiert nach AUS:** SIHAO PTY LTD, 1 ROKEVA STREETEASTWOOD NSW 2122 Australien

**In die USA importiert:** Sanven Technology Ltd., Suite 250, 9166 Anaheim Place, Rancho Cucamonga, CA 91730

<b>EC</b>	<b>REP</b>
-----------	------------

E-CrossStu GmbH  
Mainzer Landstr.69, 60329 Frankfurt am Main.

<b>UK</b>	<b>REP</b>
-----------	------------

YH CONSULTING LIMITED.  
C/O YH Consulting Limited Office 147, Centurion House, London Road, Staines-upon-Thames, Surrey, TW18 4AX

# **VEVOR<sup>®</sup>**

**TOUGH TOOLS, HALF PRICE**

**Zertifikat für technischen Support und E-Garantie**  
**[www.vevor.com/support](http://www.vevor.com/support)**

# **VEVOR<sup>®</sup>**

**TOUGH TOOLS, HALF PRICE**

Supporto tecnico e certificato di garanzia elettronica

[www.vevor.com/support](http://www.vevor.com/support)

## **Macchina per imballaggi**

**MODELLO: DS-16**

We continue to be committed to provide you tools with competitive price.

"Save Half", "Half Price" or any other similar expressions used by us only represents an estimate of savings you might benefit from buying certain tools with us compared to the major top brands and does not necessarily mean to cover all categories of tools offered by us. You are kindly reminded to verify carefully when you are placing an order with us if you are actually saving half in comparison with the top major brands.

# VEVOR<sup>®</sup>

TOUGH TOOLS, HALF PRICE

## STRAPPING MACHINE

Modello: DS-16



### NEED HELP? CONTACT US!

Have product questions? Need technical support? Please feel free to contact us:

**Technical Support and E-Warranty Certificate**  
[www.vevor.com/support](http://www.vevor.com/support)

This is the original instruction, please read all manual instructions carefully before operating. VEVOR reserves a clear interpretation of our user manual. The appearance of the product shall be subject to the product you received. Please forgive us that we won't inform you again if there are any technology or software updates on our product.

## INSTRUCTIONS

Grazie mille per aver scelto questa reggiatrice

- Si prega di leggere tutte le istruzioni prima di utilizzarlo. Le informazioni ti aiuteranno a ottenere i migliori risultati possibili.

I prodotti presenti in questo catalogo potrebbero differire nel colore rispetto all'articolo reale .

### 1. Istruzioni di sicurezza

È necessaria una formazione adeguata. Il personale non adeguatamente formato non è autorizzato a utilizzare la reggiatrice. Un funzionamento errato può provocare danni all'apparecchiatura o lesioni personali.

#### 1.1 Funzionamento a batteria

\*Protezione ambientale

Si prega di non gettare la batteria usata nel bidone della spazzatura domestica o nel secchio delle acque reflue, di non colpire o bruciare la batteria scarica.

\* Pericolo di cortocircuito

Non conservare le batterie insieme ad altri oggetti metallici. Si prega di non smontare personalmente le batterie e di conservarle in un luogo asciutto e resistente al gelo. La temperatura ambiente non deve essere superiore a 50 gradi.

Non caricare le batterie usate e sostituirle con batterie nuove quando sono danneggiate o inutilizzabili.

#### 1.2 Rischi di lesioni agli occhi

Si prega di indossare una protezione per gli occhi per evitare danni agli occhi durante l'utilizzo di questo prodotto.

#### 1.3 Funzionamento

Si prega di leggere attentamente le istruzioni e di allenarsi adeguatamente prima dell'uso. Le persone che non sono state adeguatamente addestrate non sono autorizzate a utilizzare la pressa

prima di aver stretto le cinghie, se le istruzioni non vengono seguite o se le cinghie vengono caricate in modo irragionevole ciò può portare alla rottura delle cinghie o al guasto della macchina. Non mettere le mani sull'area di legatura, sull'area di incollaggio o sull'area di taglio della taglierina finché non si ha familiarità con la pressa. Posizionare la mano sull'area di legatura, sull'area di incollaggio e sull'area di taglio ritaglio della taglierina.

#### **1.4 Zona di saldatura per attrito**

È necessario verificare le condizioni dell'area di saldatura ad attrito e familiarizzare con il controllo e la regolazione del tempo di attrito e del tempo di serraggio. Un tempo di attrito irregolare può comportare un cattivo incollaggio e causare gravi danni, quindi si prega di non spedire o trasportare scatole che non siano state imballate e maneggiate correttamente.

#### **1.5 Distribuzione delle reggette di imballo**

Utilizzare il carrello del vassoio appositamente progettato per distribuire le cinghie. Quando non in uso, fissare l'estremità delle cinghie nell'apertura di fissaggio delle cinghie.

#### **1.6 Avvertenza sulle cinghie**

Non utilizzare cinghie per trascinare o sollevare carichi poiché ciò potrebbe causare danni a oggetti o lesioni personali.

#### **1.7 Pericoli di rottura della reggia**

Funzionamento improprio; eccessivo serrato; il mancato utilizzo della reggiatura come richiesto causerà la perdita della forza di tensione o la rottura della reggiatura, il che potrebbe eventualmente causare il danneggiamento della scatola/del carico e la rottura dell'oggetto, la perdita di equilibrio e la caduta dell'operatore o la reggiatura e le cinghie volano rapidamente insieme contro il viso dell'operatore provocando lesioni



\* Se il carico presenta bordi taglienti, aggiungere una protezione sui bordi.

\* Avvolgere le cinghie attorno all'area appropriata da allacciare.

\* L'operatore non deve trovarsi nella stessa posizione in linea retta della reggiatrice durante il serraggio e l'attrito per evitare che la pressa per balle e le cinghie si ribaltino in faccia all'operatore. Ricordare o chiedere agli astanti di stare lontani dall'area operativa durante il funzionamento. Si prega di utilizzare anche reggette con le specifiche di larghezza e resistenza consigliate, che contribuiranno a migliorare la qualità e l'efficienza dell'imbballaggio, poiché una reggiatura non adatta potrebbe causare la rottura della reggia o l'allentamento della scatola durante il trasporto.

### **1.8 Taglio delle reggette**

Quando si tagliano le cinghie, utilizzare l'utensile da taglio appropriato e mantenere una distanza di sicurezza dalle persone, non sulla stessa linea delle cinghie e lontano dalla direzione allentata della cinghia. Si prega di utilizzare gli strumenti specifici per il taglio delle cinghie, senza martelli, pinze, asce, seghetti, ecc.

### **1.9 Pericoli di scivolamento e caduta**

Si prega di mantenere l'area di reggiatura pulita e ordinata, poiché aree di lavoro disordinate possono causare incidenti e possono verificarsi cadute se non si atterra bene o si è sbilanciati prima della tensione, soprattutto in aree di lavoro piccole come le scale. Cerca di mantenere l'equilibrio durante la manipolazione. Entrambi i piedi devono trovarsi contemporaneamente su una superficie piana e solida. Non utilizzare il dispositivo in caso di malessere o in condizioni fisiche difficili.

Si prega di notare le precauzioni menzionate specificamente per l'area di lavoro.

### **1.10 Pericoli della pressa**

\* È assolutamente necessaria una buona manutenzione della pressa.

\* Controllare regolarmente le parti della pressa. Se sono presenti segni di usura o danni, non continuare a utilizzare la pressa finché le parti non vengono sostituite.

\* Non utilizzare la pressa senza le cinghie

\* Non modificare la pressa poiché ciò potrebbe causare lesioni personali.

## 2. Parametri tecnici

### 2.1 Descrizione della tendireggia a batteria

Il tendireggia a batteria DS-16 è dotato di prestazioni di tenuta perfette. Può far sì che gli utenti apprezzino un modo efficiente di reggiare. DS-16 ha la sua potenza di tensione massima a 2500 N e 9 gradi possono essere regolati tramite il funzionamento del display digitale. È alimentato da una batteria al litio ad alta capacità da 6000 mAh, che lo fa funzionare per 600 cicli per carica completa. Uno dei principali punti di forza è che è economico rispetto a quelli simili sul mercato. È un buon prodotto per i rivenditori per esplorare e comprendere il mercato. DS-16 è uno strumento molto potente e può essere ampiamente utilizzato nella maggior parte dei settori.

### 2.2 Dimensioni della pressa

Lunghezza: 360 mm

Larghezza: 130 MM

Altezza: 140 mm

### 2.3 Materiali di reggiatura

Materiale reggette: nastro in PET (poliestere) e PP (polipropilene) con superficie piana o gofrata.

Specifiche dei cinturini: larghezza 9-16 mm, spessore 0,4 -1,2 mm.

Scegli le cinghie della misura appropriata in base alla pressa che acquisti.

### 2.4 Resistenza delle cinghie

Forza di allungamento: regolabile da 600 a 3200 N, il valore massimo è determinato dal materiale delle cinghie.

Velocità di avanzamento della cinghia: 50-150 MM/S. Forza di attrito: ca. 75% del valore di resistenza delle cinghie.

### 2.5 Ambiente di lavoro

La temperatura ambiente per il funzionamento è di 5-45°C, con una temperatura di funzionamento ottimale di 15-25°C.

Utilizzare o conservare con cura per proteggerlo dall'acqua e dall'umidità.

## 3. Accessori



■ Nota: utilizzare gli accessori menzionati nel manuale, l'utilizzo di altri accessori potrebbe causare danni all'apparecchiatura o lesioni personali.

### 3.1 Pressa portatile ricaricabile

Poiché la pressa utilizza batterie al nichel-cadmio (Nicc) al nichel-metallo idruro (NiMH), acquistare le batterie separatamente in base ai seguenti parametri.

Tipo: batteria al litio

Voltaggio: 18 V

Capacità: 5000 MAH

### 3.2 Caricabatterie

Ricarica diretta (opzionale)

Voltaggio in ingresso del caricabatterie: AC100-240V

Voltaggio in uscita: 21 V, 2,5 A

Tempo di ricarica: circa 90 minuti.

## 4. Operazioni

### 4.1 Installazione della batteria

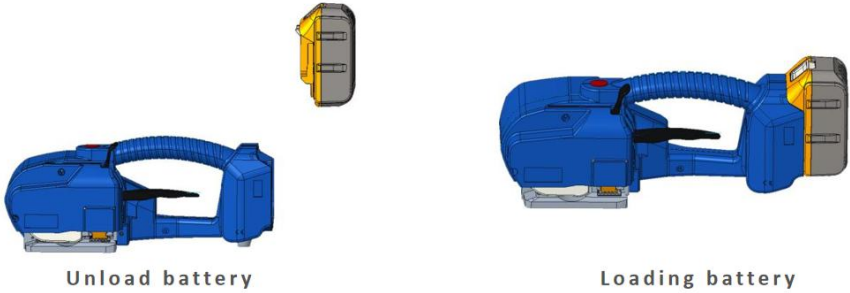
\* Non lasciare le batterie della pressa sotto la pioggia o l'acqua.

\* Per motivi di sicurezza la batteria viene consegnata scarica e separata dal dispositivo, si prega di seguire le istruzioni per il montaggio.

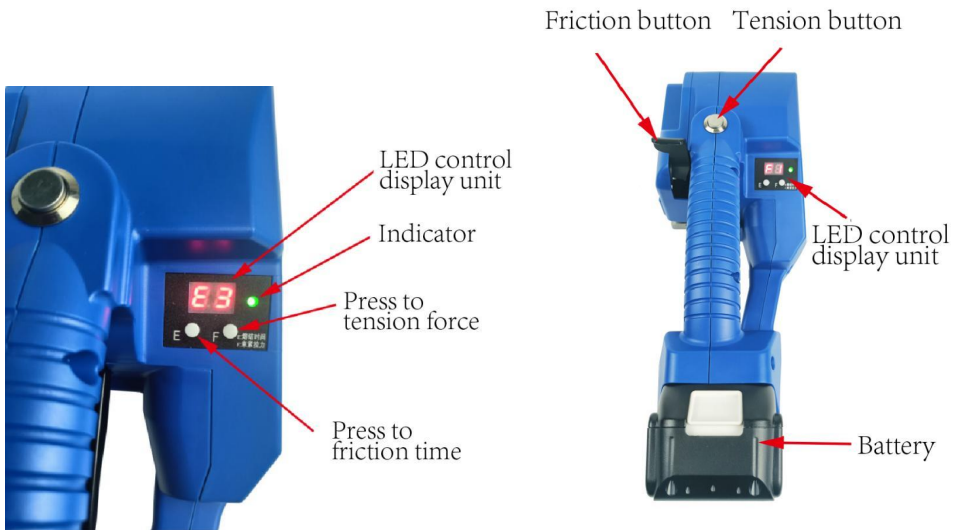
\* Rimuovere la batteria premendo il Clip Snap della batteria con il pollice ed estraendolo verso l'alto oppure rilasciando il Clip Snap dopo aver inserito la batteria.

\* L'indicatore luminoso è rosso quando la batteria è scarica, l'indicatore luminoso è rosso durante la ricarica e l'indicatore luminoso di ricarica è verde quando la ricarica è completa.

### Battery disassembly diagram



## 4.2 Elementi operativi



## 4.3 Modalità semiautomatica e modalità automatica

L-16 ha 2 modalità di tensione: un tocco per tensionare e premere continuamente il pulsante per tensionare. Come effettuare la conversione della modalità? Basta premere il pulsante di tensione e sollevare la maniglia contemporaneamente e quando l'indicatore lampeggia alternativamente, la conversione della modalità è completata.



#### 4.4 Operazioni della pressa

**\*Modalità di tensione semi-automatica (premere continuamente il pulsante per tensionare)**

Passaggio 1 Avvolgere e impilare le cinghie

Si prega di avvolgere le cinghie come mostrato e di non permettere mai che le cinghie si bagnino con olio o altri detriti.



Il passaggio 2 inserisce le cinghie nella pressa

Quando si inseriscono le cinghie, le cinghie nella direzione della tensione devono essere impilate all'estremità superiore, la cinghia inferiore deve essere allungata fino al fondo della ruota di alimentazione per coprire la

parte anteriore della piastra dentata 5-10 mm più a lungo, quando si inseriscono le cinghie, si prega di sollevare la maniglia con la mano destra, inserire le cinghie con la mano sinistra, le estremità superiore e inferiore delle cinghie devono essere impilate parallelamente l'una all'altra dopo aver rilasciato la maniglia di sollevamento.



**Passaggio 3 Stringere o inserire le cinghie**

Quando si preme il pulsante di tensione e lo si rilascia, la pressa fornirà il tempo di serraggio preimpostato predefinito. Quando la tensione non è sufficiente o è troppo stretta, è sufficiente aumentare o diminuire il grado di potenza della tensione in modo appropriato fino a quando non è appropriato. Durante il serraggio, mantenere la pressa in movimento parallelo e la direzione di avanzamento della pressa libera da oggetti vari.



#### Passaggio 4 Saldatura delle cinghie

Dopo aver premuto il pulsante di attrito, la pressa sigilla e taglia automaticamente le cinghie (il tempo è preimpostato dal sistema e può essere aumentato o diminuito regolando il grado di tempo di attrito).



#### Passaggio 5 Allontanare la pressa

Una volta completata l'operazione di legatura, sollevare la maniglia e la ruota di alimentazione girare all'indietro per allentare le cinghie di conseguenza, quindi allontanare la pressa.



\*Un tocco per la modalità tensione

## Passaggio 1 Avvolgere e impilare le cinghie

Si prega di avvolgere le cinghie come mostrato e di non permettere mai che le cinghie si bagnino con olio o altri detriti.



## Il passaggio 2 inserisce le cinghie nella pressa

Quando si inseriscono le cinghie, le cinghie nella direzione della tensione devono essere impilate all'estremità superiore, la cinghia inferiore deve essere allungata fino al fondo della ruota di alimentazione per coprire la parte anteriore della piastra dentata 5-10 mm più a lungo, quando si inseriscono le cinghie, si prega di sollevare la maniglia con la mano destra, inserire le cinghie con la mano sinistra, le estremità superiore e inferiore delle cinghie devono essere impilate parallelamente l'una all'altra dopo aver rilasciato la maniglia di sollevamento.



### Passaggio 3 Stringere le cinghie

Quando si preme il pulsante di tensione e lo si rilascia, la pressa tenderà automaticamente le cinghie.



### Passaggio 4 Saldatura delle cinghie

Dopo aver premuto il pulsante di attrito, la pressa sigilla e taglia automaticamente le cinghie (il tempo è preimpostato dal sistema e può essere aumentato o diminuito regolando il grado di tempo di attrito).

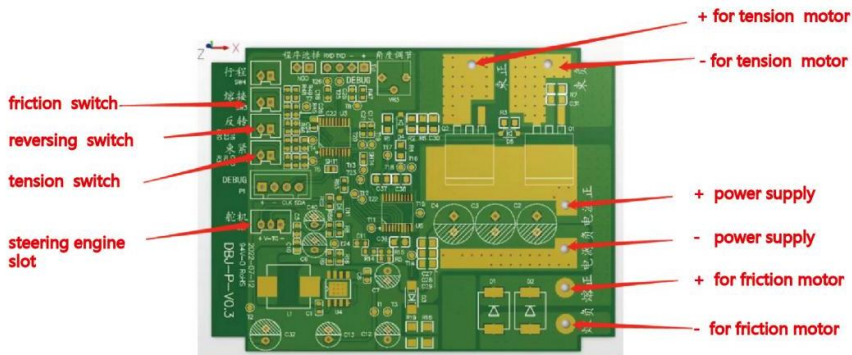


### Passaggio 5 Allontanare la pressa

Una volta completata l'operazione di legatura, sollevare la maniglia e la ruota di alimentazione girare all'indietro per allentare le cinghie di conseguenza, quindi allontanare la pressa.



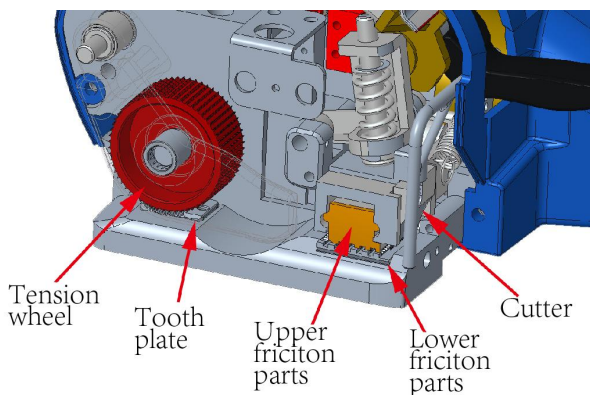
### 5.Collegamenti elettrici



## 6. Sostituzione delle parti soggette ad usura e regolazione dello stato di incollaggio

■ Nota: scollegare l'interruttore di alimentazione e rimuovere le batterie prima di ogni intervento di manutenzione.

### 6.1 Sostituzione parti soggette ad usura



Taglierina (JD-PSE-G016): innanzitutto allentare la vite sulla piastra di copertura sinistra (JD-L16-G01) e rimuoverla, quindi rimuovere la vite sulla taglierina e rimuovere la taglierina per la sostituzione. Dopo aver installato la taglierina, installarla in ordine inverso.

Piastra dentata inferiore (JD-PSE-G011): rimuovere prima le viti che fissano la piastra dentata e rimuoverla, quindi sostituire la piastra dentata

espulsa. Dopo la sostituzione, assemblarlo nell'ordine inverso.

Ruota di tensione (JD-PSE-G012): rimuovere la piastra di copertura sinistra come descritto sopra, rimuovere il dado fissato sull'albero di collegamento (JD-L16-G021), rimuovere il coperchio della ruota di tensione (JD-L16-G007), sostituire la ruota di bloccaggio e sostituirla nell'ordine inverso.

Parte di attrito inferiore (JD-PSE-G013): innanzitutto allentare e rimuovere le viti senza testa fissate sull'albero della parte di attrito inferiore, spingere fuori la parte di attrito inferiore dal fondo per la sostituzione, quindi sostituirla in ordine inverso.

## **6.2 Regolazioni di serraggio, incollaggio e taglio**

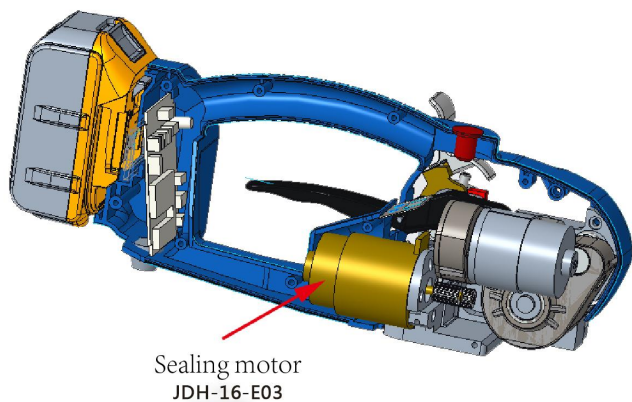
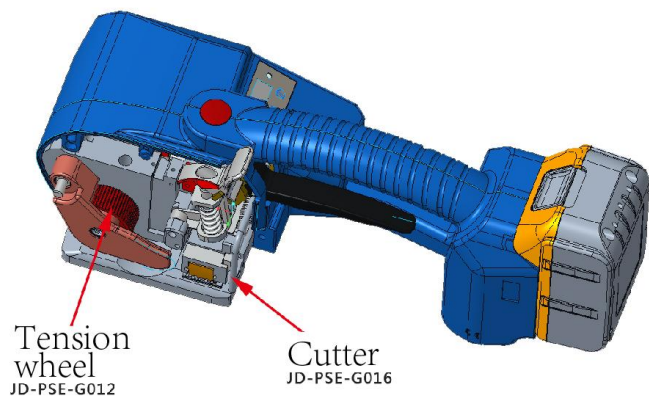
①. Se il serraggio scivola, allentare le viti fissate sulla piastra dentata e installare la guarnizione della piastra dentata (JD-PSE-G028) per sollevare la piastra dentata o sostituire la piastra dentata.

②. Quando si utilizzano nastri di tenuta diversi con uno spessore di 0,4-1,2 mm, regolare tempestivamente lo spazio tra la parte di attrito superiore (JD-PSE-G008) e la parte di attrito inferiore, altrimenti si verificherà una saldatura scadente. Quando si regola il gioco tra la parte di attrito superiore e inferiore, rimuovere prima la piastra di copertura sinistra, quindi allentare il pulsante di rimozione della guarnizione (JD-PSE-G005), fissare l'albero di compressione inferiore della piastra di collegamento (JD-PSE-G022) con un cacciavite a taglio, quindi ruotare il dado sull'albero di collegamento in senso orario o antiorario. Quando si ruota in senso orario, il gioco tra la parte superiore e quella inferiore della frizione aumenta, mentre quando si ruota in senso antiorario il gioco diminuisce.

③. Il tempo di incollaggio e la forza di serraggio vengono regolati tramite le finestre del display digitale E e F sul coperchio destro. Il tasto E regola il tempo di fusione e il tasto F regola la forza di serraggio, aumentando dal grado 1 al grado 9.

④. Fare riferimento alla seguente tabella per la sostituzione delle parti soggette ad usura e la regolazione del tempo (effetto) di incollaggio e

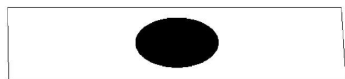
saldatura.



## Diagramma dell'effetto di saldatura e incollaggio



Perfect friction time



Friction time is too short

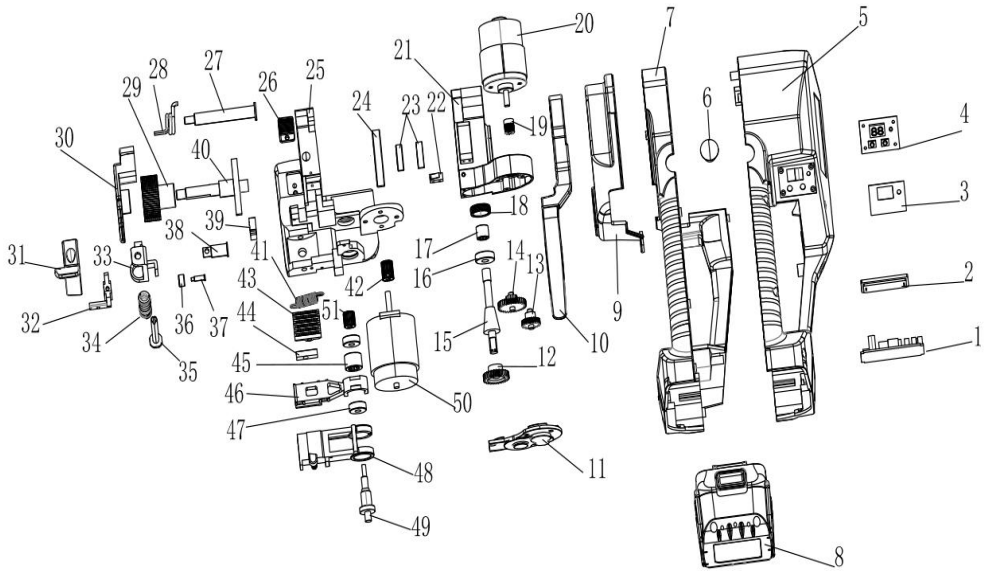


Friction time is too long

## 7. Guasti elettrici comuni

Durante l'utilizzo, l'utensile della pressa si è bloccato improvvisamente e il LED diventa rosso quando la cinghia di pressatura bloccata nella macchina non può essere rimossa, spegnere immediatamente l'alimentazione, tagliare le cinghie per rimuovere quelle bloccate nell'utensile, caricare immediatamente la batteria o sostituire la batteria. Quando si conferma che la batteria è alimentata e il guasto non viene eliminato, è necessario rimuovere i coperchi di plastica sinistro e destro dopo aver rimosso la batteria per controllare lo strumento, ad esempio controllando gli interruttori o il cablaggio su ciascun interruttore o sui motori non sia caduto, oppure sostituire il microinterruttore o sostituire la guarnizione ad attrito del motore.

## 11. Vista esplosa del prodotto ed elenco delle parti



Item	Part name	Specification	Material code	Qty.
1	PCB		JD-A16-E019	1
2	Battery adapter slot		JD-L16-G06	1
3	PVC sticker		JD-L16-G07	1
4	LED display unit		JD-L16-G05	1
5	Right house		JD-L16-G03	1
6	Tension button	OD16	JD-PSE-E039	1
7	Left house		JD-L16-G02	1
8	Battery	18V, 5.0A	JD-PSE-E051	1
9	Left side cover		JD-L16-G01	1
10	Lift		JD-L16-G004	1
11	Reducer cover plate		JD-L16-G003	1
12	Connect-gear for worm		JD-PSE-G033	1
13	Variable speed gear D		JD-L16-G036	1
14	Double gear		JD-PSE-G031	1
15	Worm gear		JD-PSE-G030	1
16	Bearing 607		JD-PSE-E012	1
17	Bearing BK0810		JD-PSE-E015	1

Item	Part name	Specification	Material code	Qty.
18	Gear box tooth sleeve		JD-L16-04	1
19	gear B		JD-PSE-G032	1
20	Tension motor		JD-L16-E01	1
21	Reduction gear box		JD-L16-G002	1
22	Switch B		JD-PSE-E007	1
23	Ball bearing A 6900		JD-PSE-E010	2
24	Reducer cover		JD-PSE-G015	1
25	Body		JD-L16-G001	1
26	Tooth plate		JD-PSE-G011	1
27	M6 boss pivot pin		JD-L16-G021	1
28	Reset torsion spring		JD-PSE-G019	1
29	Tension wheel DB-009		JD-PSE-G012	1
30	Tension wheel cover		JD-L16-G007	1
31	Sealing button		JD-PSE-G005	1
32	Cam unit		JD-PSE-G014	1
33	Spring cavity DB-021		JD-PSE-G010	1
34	Compression spring		JD-PSE-G020	1

Item	Part name	Specification	Material code	Qty.
35	Shaft		JD-PSE-G022	1
36	Cam driver		JD-PSE-G038	1
37	4*12.5 pin		JD-PSE-E022	1
38	Shaft pin		JD-PSE-G023	1
39	Sealing switch A		JD-PSE-E006	1
40	Curved umbrella tooth		JD-PSE-G029	1
41	Drag spring		JD-PSE-G017-2	1
42	Synchronous wheel A		JD-PSE-G034	1
43	Lower friction parts		JD-PSE-G013	1
44	Cutter		JD-PSE-G016	1
45	Bearing A 101712		JD-PSE-E014-1	1
46	Upper friction parts		JD-PSE-G008	1
47	Bearing B 606		JD-PSE-E011	2
48	Friciton part bracket		JD-PSE-G009	1
49	Eccentric shaft		JD-PSE-G024	1
50	Sealing motor		JDH-16-E03	1
51	Synchronous wheel B		JD-PSE-G035	1

**Indirizzo** : Shuangchenglu 803nong11hao1602A-1609shi, baoshanqu, shanghai 200000 CN.

**Importato in AUS:** SIHAO PTY LTD, 1 ROKEVA STREETEASTWOOD NSW 2122 Australia

**Importato negli Stati Uniti:** Sanven Technology Ltd., Suite 250, 9166 Anaheim Place, Rancho Cucamonga, CA 91730

<b>EC</b>	<b>REP</b>
-----------	------------

E-CrossStu GmbH  
Mainzer Landstr.69, 60329 Frankfurt am Main.

<b>UK</b>	<b>REP</b>
-----------	------------

YH CONSULTING LIMITED.  
C/O YH Consulting Limited Office 147, Centurion House,  
London Road. Staines-upon-Thames. Surrey. TW18 4AX

# **VEVOR**<sup>®</sup>

**TOUGH TOOLS, HALF PRICE**

**Supporto tecnico e certificato di garanzia elettronica**  
[www.vevor.com/support](http://www.vevor.com/support)

# **VEVOR<sup>®</sup>**

## **TOUGH TOOLS, HALF PRICE**

Soporte técnico y certificado de garantía electrónica

[www.vevor.com/support](http://www.vevor.com/support)

## **Máquina flejadora**

**MODELO: DS-16**

We continue to be committed to provide you tools with competitive price.

"Save Half", "Half Price" or any other similar expressions used by us only represents an estimate of savings you might benefit from buying certain tools with us compared to the major top brands and does not necessarily mean to cover all categories of tools offered by us. You are kindly reminded to verify carefully when you are placing an order with us if you are actually saving half in comparison with the top major brands.

# VEVOR<sup>®</sup>

TOUGH TOOLS, HALF PRICE

## STRAPPING MACHINE

Modelo: DS-16



### NEED HELP? CONTACT US!

Have product questions? Need technical support? Please feel free to contact us:

**Technical Support and E-Warranty Certificate**  
[www.vevor.com/support](http://www.vevor.com/support)

This is the original instruction, please read all manual instructions carefully before operating. VEVOR reserves a clear interpretation of our user manual. The appearance of the product shall be subject to the product you received. Please forgive us that we won't inform you again if there are any technology or software updates on our product.

## INSTRUCTIONS

Muchas gracias por elegir esta máquina flejadora

- Lea todas las instrucciones antes de usarlo. La información le ayudará a lograr los mejores resultados posibles.

Los productos incluidos en este catálogo pueden tener un color diferente al del artículo real .

# 1.Instrucciones de seguridad

Se requiere una formación correcta. No está permitido el manejo de la máquina flejadora a personal que no esté debidamente formado. El funcionamiento incorrecto puede provocar daños al equipo o lesiones personales.

## 1.1 Funcionamiento con batería

\*Protección del medio ambiente

No arroje la batería usada al cubo de basura doméstico ni al cubo de aguas residuales, no golpee ni queme la batería desperdiciada.

\* Peligro de cortocircuito

No guarde las baterías con otros objetos metálicos. No desmonte las baterías usted mismo y guárdelas en un lugar seco y resistente a las heladas. La temperatura ambiente no debe ser superior a 50 grados.

No cargue baterías usadas y reemplácelas por otras nuevas cuando estén dañadas o inutilizables.

## 1.2 Peligros de lesiones oculares

**Utilice** protección ocular para evitar daños en los ojos al utilizar este producto.

## 1.3 Operación

Lea atentamente las instrucciones y entrene adecuadamente antes de usarlo. No se permite operar la empacadora a personas que no hayan recibido la formación adecuada, antes de apretar las correas, si no se siguen las instrucciones o si las correas se cargan de forma injustificada, esto puede provocar la rotura de las correas o un fallo de la máquina. No

ponga sus manos en el área de encuadernación, el área de encolado o el área de corte de la cortadora hasta que esté familiarizado con la empacadora. Coloque su mano en el área de encuadernación, el área de encolado y el recorte del cortador.

#### **1.4 Zona de soldadura por fricción**

Debe comprobar el estado de la zona de soldadura por fricción y familiarizarse con el control y ajuste del tiempo de fricción y el tiempo de apriete. Un tiempo de fricción irregular puede provocar una unión deficiente y provocar daños graves, así que no envíe ni transporte cajas que no hayan sido empaquetadas y manipuladas adecuadamente.

#### **1.5 Distribución de correas de embalaje**

Utilice el carro de bandeja para cinturón especialmente diseñado para dispensar las correas. Cuando no esté en uso, asegure el extremo de las correas en la abertura de fijación de las correas.

#### **1.6 Advertencia de correas**

No utilice correas para arrastrar o levantar cargas, ya que esto puede provocar daños a objetos o lesiones personales.

#### **1.7 Peligros de rotura de la correa**

Operación incorrecta; excesivamente apretado; no utilizar los flejes como se requiere causará que se pierda la fuerza de tensión o que los flejes se rompan, lo que eventualmente puede causar que las cajas/cargas se dañen y el objeto se rompa, que el operador pierda el equilibrio y se caiga, o que la máquina flejadora y las correas salgan volando rápidamente hacia la cara del operador, causando lesiones



#### **■ Nota:**

\* Si la carga tiene bordes afilados, agregue protección en los bordes.

\* Envuelva las correas alrededor del área apropiada a atar.

\* El operador no debe estar en la misma posición en línea recta que la máquina flejadora durante el ajuste y la fricción para evitar que la empacadora y las correas se vuelquen hacia la cara del operador. Y

recuerde o solicite a las personas presentes que se mantengan alejadas del área de operación durante la operación. Utilice también flejes con las especificaciones de ancho y resistencia recomendadas, lo que ayudará a mejorar la calidad y eficiencia del embalaje, ya que un flejado inadecuado puede provocar que el flejado se rompa o que la caja se suelte durante el transporte.

### **1.8 Cortar correas**

Al cortar las correas, utilice la herramienta de corte adecuada y mantenga una distancia segura de las personas, no en la misma línea que las correas y lejos de la dirección suelta de las correas. Utilice herramientas diseñadas específicamente para cortar correas, no martillos, alicates, hachas, sierras para metales, etc.

### **1.9 Peligros de resbalones y caídas**

Por favor mantenga limpia y ordenada la zona de flejado, ya que las zonas de trabajo desordenadas pueden provocar accidentes y pueden producirse caídas si no aterriza bien o se desequilibra antes de la tensión, especialmente en zonas de trabajo pequeñas como escaleras. Trate de mantener el equilibrio al manipularlo. Ambos pies deben estar sobre una superficie plana y firme al mismo tiempo. No utilice el dispositivo si no se encuentra bien o se encuentra en una condición física difícil.

Tenga en cuenta las precauciones mencionadas específicamente para el área de trabajo.

### **1.10 Peligros de la empacadora**

- \* Es muy necesario un buen mantenimiento de la empacadora.
- \* Revise las piezas de la empacadora con regularidad; si hay desgaste o daños, no continúe usando la empacadora hasta que se reemplacen las piezas.
- \* No utilice la empacadora sin las correas.
- \* No modifique la empacadora ya que esto puede causar lesiones personales.

## **2. Parámetros técnicos**

## **2.1 Descripción de la herramienta flejadora de baterías**

La herramienta flejadora de batería DS-16 viene con un rendimiento de sellado perfecto. Puede hacer que los usuarios disfruten de una forma eficiente de flejado. DS-16 tiene su potencia de tensión máxima de 2500N y se pueden ajustar 9 grados mediante la operación de pantalla digital. Está alimentado por una batería de litio de 6000 mah de alta capacidad, lo que hace que funcione 600 ciclos por carga completa. Uno de los puntos clave de venta es que es económico en comparación con otros similares en el mercado. Es un buen producto para que los distribuidores exploren y comprendan el mercado. DS-16 es una herramienta muy poderosa y puede usarse ampliamente en la mayoría de las industrias.

## **2.2 Dimensiones de la empacadora**

Longitud: 3 6 0MM

Ancho: 13 0 MM

Altura: 1 4 0 MM

## **2.3 Materiales de flejado**

Material de las correas: Cinta PET (poliéster) y PP (polipropileno) con superficie plana o gofrada.

Especificaciones de las correas: ancho 9-16 MM, espesor 0, 4-1,2 MM.

Elija las correas del tamaño adecuado según la empacadora que compre.

## **2.4 Fuerza de las correas**

Fuerza de estiramiento: ajustable de 60 0 a 32 00 N, el valor máximo está determinado por el material de las correas.

Velocidad de alimentación de la correa: 50-150MM/S. Fuerza de fricción: aprox. 75% del valor de resistencia de las correas.

## **2.5 Ambiente de trabajo**

La temperatura ambiente de funcionamiento es de 5-45°C, siendo la temperatura óptima de trabajo de 15-25°C.

Úselo o guárdelo con cuidado para protegerlo del agua y la humedad.

# **3.Accesorios**



■ Nota: Utilice los accesorios mencionados en el manual; el uso de otros accesorios puede causar daños al equipo o lesiones personales.

### **3.1 Empacadora portátil recargable**

Como la empacadora utiliza baterías de níquel-cadmio (Nícd) y níquel-hidruro metálico (NiMH), compre las baterías por separado de acuerdo con los siguientes parámetros.

Tipo: Batería de litio

Voltaje: 18 V.

Capacidad: 5000MAH

### **3.2 Cargador de batería**

Carga directa (opcional)

Voltaje de entrada del cargador: AC100-240V

Voltaje de salida: 21 V, 2,5 A.

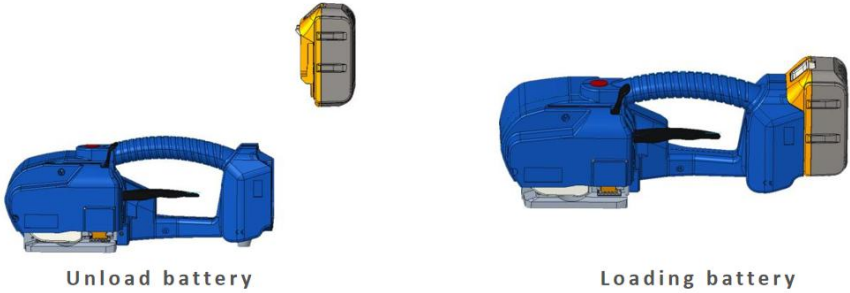
Tiempo de carga: unos 90 minutos.

## **4. Operaciones**

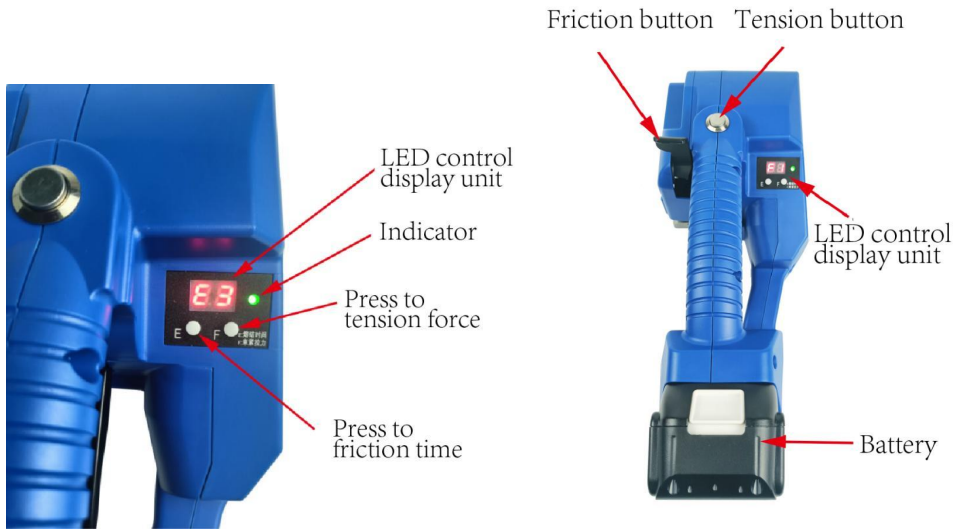
### **4.1 Instalación de la batería**

- \* No deje las baterías de la empacadora bajo la lluvia o el agua.
- \* Por motivos de seguridad la batería se entrega descargada y separada del dispositivo, por favor siga las instrucciones de montaje.
- \* Retire la batería presionando el Clip Snap de la batería con el pulgar y extrayéndolo hacia arriba o soltando el Clip Snap después de cargar la batería.
- \* La luz indicadora es roja cuando la batería está baja, la luz indicadora es roja cuando se carga y la luz indicadora de carga es verde cuando se completa la carga.

### Battery disassembly diagram



## 4.2 Elementos operativos



## 4.3 Modo semiautomático y modo automático

L-16 tiene 2 modos de tensión: un toque para tensar y presionar el botón continuamente para tensar. ¿Cómo hacer la conversión de modo? Simplemente presione el botón de tensión y levante el mango al mismo tiempo y cuando el indicador parpadee alternativamente, se realizará la conversión de modo.



#### 4.4 Operaciones de empacadora

**\*Modo de tensión semiautomático (presione el botón continuamente para tensar)**

Paso 1 Envuelva y apile las correas

Envuelva las correas como se muestra y no permita que se mojen con aceite u otros residuos en ningún momento.



Paso 2 inserta las correas en la empacadora

Al insertar las correas, las correas en la dirección de tensión deben apilarse en el extremo superior, las correas inferiores deben estirarse hasta la parte inferior de la rueda de alimentación para cubrir la parte

delantera de la placa dentada 5-10 mm más larga, al insertar las correas. , levante la manija con la mano derecha, inserte las correas con la mano izquierda, los extremos superior e inferior de las correas deben apilarse paralelos entre sí después de soltar la manija de elevación.



### Paso 3 Apriete o introduzca las correas

Cuando presiona el botón de tensión y lo suelta, la empacadora le dará el tiempo de ajuste predeterminado predeterminado. Cuando el apriete no sea suficiente o esté demasiado apretado, simplemente aumente o disminuya el grado de potencia de tensión de manera adecuada hasta que sea apropiado. Al apretar, mantenga la empacadora moviéndose en paralelo y en dirección hacia adelante libre de artículos diversos.



### Paso 4 Soldar las correas

Después de presionar el botón de fricción, la empacadora sella y corta automáticamente las correas (el tiempo está preestablecido por el sistema y se puede aumentar o disminuir para ajustar el grado de tiempo de fricción).



**Paso 5** Aleje la empacadora

Cuando se complete la operación de unión, levante la manija y la rueda de alimentación en sentido inverso para aflojar las correas en consecuencia y luego aleje la empacadora.



\*Un toque para el modo de tensión

## Paso 1 Envuelva y apile las correas

Envuelva las correas como se muestra y no permita que se mojen con aceite u otros residuos en ningún momento.



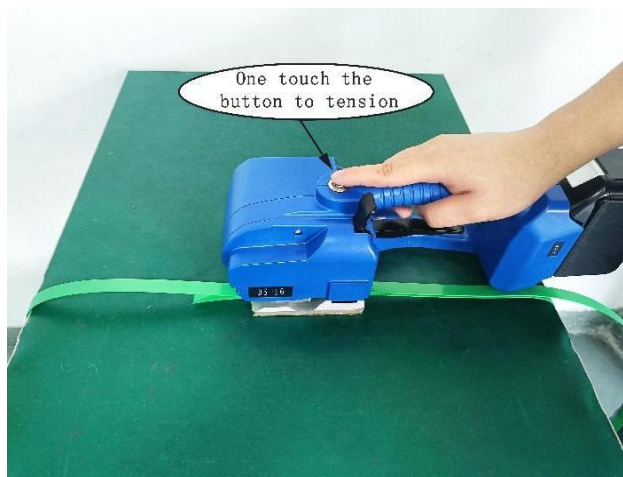
## Paso 2 inserta las correas en la empacadora

Al insertar las correas, las correas en la dirección de tensión deben apilarse en el extremo superior, las correas inferiores deben estirarse hasta la parte inferior de la rueda de alimentación para cubrir la parte delantera de la placa dentada 5-10 mm más larga, al insertar las correas. , levante la manija con la mano derecha, inserte las correas con la mano izquierda, los extremos superior e inferior de las correas deben apilarse paralelos entre sí después de soltar la manija de elevación.



### Paso 3 Apretar las correas

Cuando presiona el botón de tensión y lo suelta, la empacadora tensará las correas automáticamente.



### Paso 4 Soldar las correas

Después de presionar el botón de fricción, la empacadora sella y corta automáticamente las correas (el tiempo está preestablecido por el sistema y se puede aumentar o disminuir para ajustar el grado de tiempo de fricción).

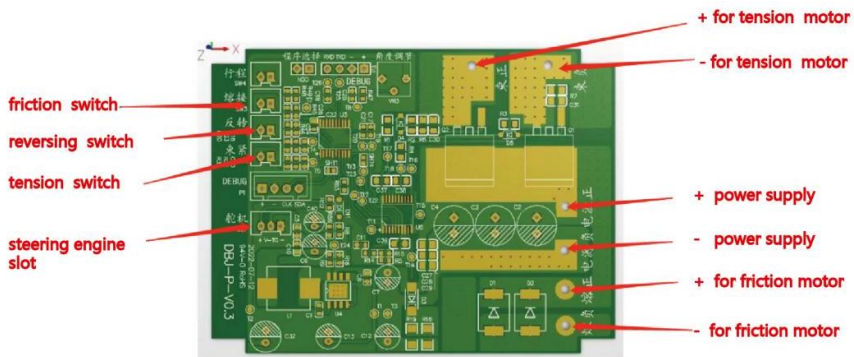


### Paso 5 Aleje la empacadora

Cuando se complete la operación de unión, levante la manija y la rueda de alimentación en sentido inverso para aflojar las correas en consecuencia y luego aleje la empacadora.



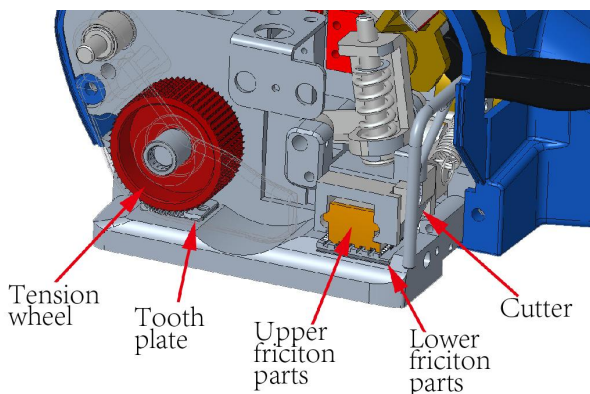
### 5. Conexiones eléctricas



## 6. Reemplazo de piezas de desgaste y ajuste del estado de unión

■ Nota: Desconecte el interruptor de alimentación y retire las baterías antes de cada servicio.

### 6.1 Reemplazo de piezas de desgaste



Cortador (JD-PSE-G016): Primero afloje el tornillo de la placa de cubierta izquierda (JD-L16-G01) y retírelo, luego retire el tornillo del cortador y retire el cortador para reemplazarlo. Después de instalar el cortador, instálelo en orden inverso.

Placa dentada inferior (JD-PSE-G011): primero retire los tornillos que fijan la placa dentada y retírela, luego reemplace la placa dentada expulsada.

Después del reemplazo, móntelo en orden inverso.

Rueda tensora (JD-PSE-G012): retire la placa de cubierta izquierda como se describe arriba, retire la tuerca fijada en el eje de conexión (JD-L16-G021), retire la cubierta de la rueda tensora (JD-L16-G007), reemplace la rueda de retención y reemplácela en orden inverso.

Parte de fricción inferior (JD-PSE-G013): Primero afloje y retire los tornillos sin cabeza fijados en el eje de la parte de fricción inferior, empuje la parte de fricción inferior desde la parte inferior para reemplazarla y luego reemplácela en orden inverso.

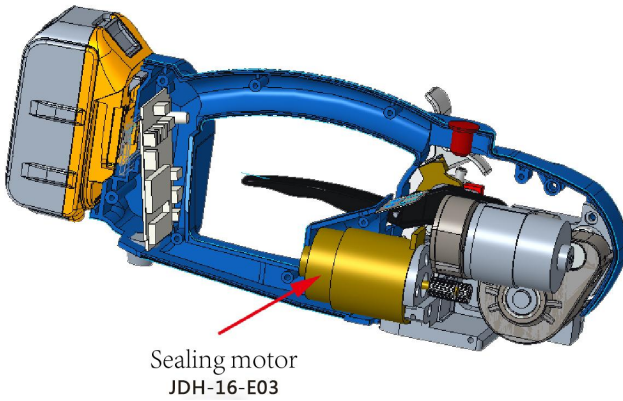
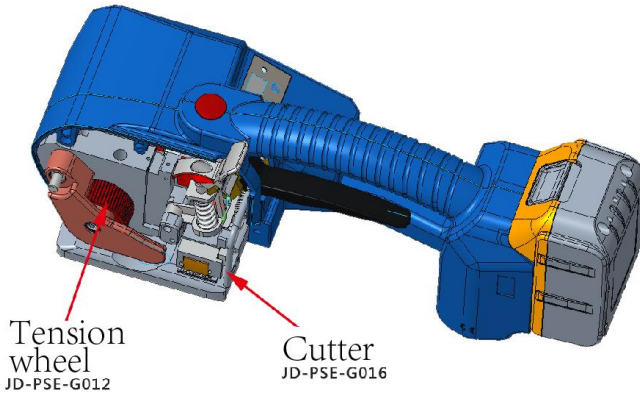
## **6.2 Ajustes de apriete, pegado y corte**

①. Si el apriete falla, afloje los tornillos fijados en la placa de dientes e instale la junta de la placa de dientes (JD-PSE-G028) para levantar la placa de dientes o reemplazar la placa de dientes.

②. Cuando utilice diferentes correas de empaque con un espesor de 0,4-1,2 mm, ajuste oportunamente el espacio entre la parte de fricción superior (JD-PSE-G008) y la parte de fricción inferior; de lo contrario, se producirá una soldadura deficiente. Al ajustar la holgura entre la parte de fricción superior e inferior, primero retire la placa de cubierta izquierda, luego afloje el botón de extracción de sellado (JD-PSE-G005), fije el eje de compresión inferior de la placa de unión (JD-PSE-G022) con un destornillador plano y luego gire la tuerca del eje de conexión en el sentido de las agujas del reloj o en el sentido contrario a las agujas del reloj. Cuando se gira en el sentido de las agujas del reloj, la holgura entre las partes de fricción superior e inferior aumenta, y cuando se gira en el sentido contrario a las agujas del reloj, la holgura se vuelve más pequeña.

③. El tiempo de unión y la fuerza de apriete se ajustan a través de las ventanas de visualización digital E y F en la cubierta derecha. La tecla E ajusta el tiempo de fusión y la tecla F ajusta la fuerza de apriete, aumentando del grado 1 al grado 9.

④. Consulte la siguiente tabla para reemplazar piezas de desgaste y ajustar el tiempo (efecto) de unión y soldadura.



## Diagrama de efecto de soldadura y unión.



Perfect friction time



Friction time is too short

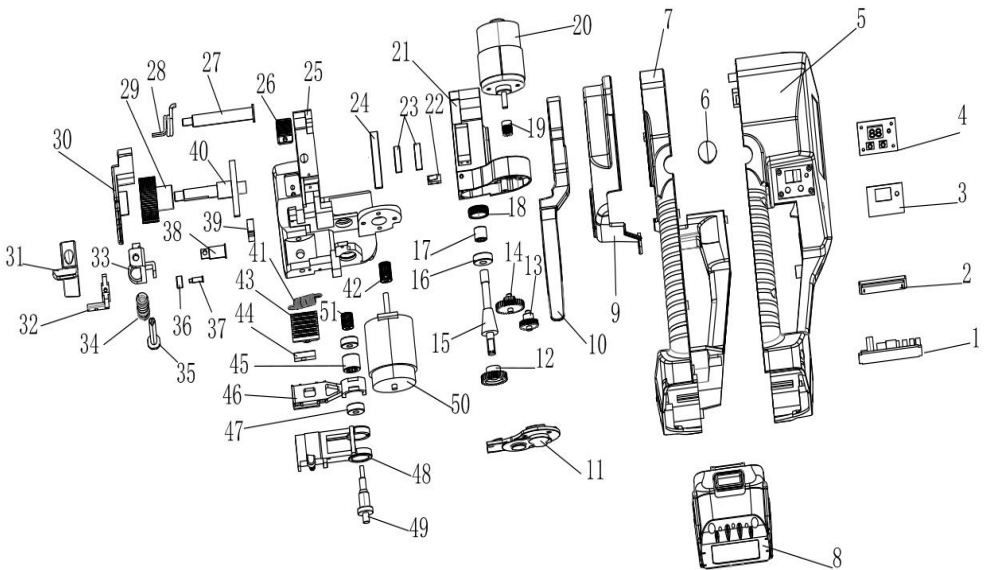


Friction time is too long

# 7. Fallas eléctricas comunes

En el proceso de uso, la herramienta empacadora se atasca y el LED se enciende en rojo cuando la correa de empaque atascada en la máquina no se puede sacar, apague inmediatamente la energía, corte las correas para quitar las correas atascadas en la herramienta, cárguela rápidamente la batería o reemplace la batería. Cuando confirme que la batería tiene energía y que la falla no se elimina, debe quitar las cubiertas de plástico izquierda y derecha después de quitar la batería para verificar la herramienta, como verificar los interruptores o el cableado en cada interruptor o en los motores no se ha caído, o reemplace el microinterruptor o reemplace el motor de sellado por fricción.

# 12. Vista detallada del producto y lista de piezas



Item	Part name	Specification	Material code	Qty.
1	PCB		JD-A16-E019	1
2	Battery adapter slot		JD-L16-G06	1
3	PVC sticker		JD-L16-G07	1
4	LED display unit		JD-L16-G05	1
5	Right house		JD-L16-G03	1
6	Tension button	OD16	JD-PSE-E039	1
7	Left house		JD-L16-G02	1
8	Battery	18V, 5.0A	JD-PSE-E051	1
9	Left side cover		JD-L16-G01	1
10	Lift		JD-L16-G004	1
11	Reducer cover plate		JD-L16-G003	1
12	Connect-gear for worm		JD-PSE-G033	1
13	Variable speed gear D		JD-L16-G036	1
14	Double gear		JD-PSE-G031	1
15	Worm gear		JD-PSE-G030	1
16	Bearing 607		JD-PSE-E012	1
17	Bearing BK0810		JD-PSE-E015	1

Item	Part name	Specification	Material code	Qty.
18	Gear box tooth sleeve		JD-L16-04	1
19	gear B		JD-PSE-G032	1
20	Tension motor		JD-L16-E01	1
21	Reduction gear box		JD-L16-G002	1
22	Switch B		JD-PSE-E007	1
23	Ball bearing A 6900		JD-PSE-E010	2
24	Reducer cover		JD-PSE-G015	1
25	Body		JD-L16-G001	1
26	Tooth plate		JD-PSE-G011	1
27	M6 boss pivot pin		JD-L16-G021	1
28	Reset torsion spring		JD-PSE-G019	1
29	Tension wheel DB-009		JD-PSE-G012	1
30	Tension wheel cover		JD-L16-G007	1
31	Sealing button		JD-PSE-G005	1
32	Cam unit		JD-PSE-G014	1
33	Spring cavity DB-021		JD-PSE-G010	1
34	Compression spring		JD-PSE-G020	1

Item	Part name	Specification	Material code	Qty.
35	Shaft		JD-PSE-G022	1
36	Cam driver		JD-PSE-G038	1
37	4*12.5 pin		JD-PSE-E022	1
38	Shaft pin		JD-PSE-G023	1
39	Sealing switch A		JD-PSE-E006	1
40	Curved umbrella tooth		JD-PSE-G029	1
41	Drag spring		JD-PSE-G017-2	1
42	Synchronous wheel A		JD-PSE-G034	1
43	Lower friction parts		JD-PSE-G013	1
44	Cutter		JD-PSE-G016	1
45	Bearing A 101712		JD-PSE-E014-1	1
46	Upper friction parts		JD-PSE-G008	1
47	Bearing B 606		JD-PSE-E011	2
48	Friciton part bracket		JD-PSE-G009	1
49	Eccentric shaft		JD-PSE-G024	1
50	Sealing motor		JDH-16-E03	1
51	Synchronous wheel B		JD-PSE-G035	1

**Dirección :** Shuangchenglu 803nong11hao1602A-1609shi, baoshanqu, shanghai 200000 CN.

**Importado a AUS:** SIHAO PTY LTD, 1 ROKEVA STREETEASTWOOD NSW 2122 Australia

**Importado a EE. UU.:** Sanven Technology Ltd., Suite 250, 9166 Anaheim Place, Rancho Cucamonga, CA 91730

<b>EC</b>	<b>REP</b>
-----------	------------

E-CrossStu GmbH  
Mainzer Landstr.69, 60329 Frankfurt am Main.

<b>UK</b>	<b>REP</b>
-----------	------------

YH CONSULTING LIMITED.  
C/O YH Consulting Limited Office 147, Centurion House,  
London Road, Staines-upon-Thames, Surrey, TW18 4AX

# **VEVOR<sup>®</sup>**

**TOUGH TOOLS, HALF PRICE**

**Soporte técnico y certificado de garantía electrónica**  
**[www.vevor.com/support](http://www.vevor.com/support)**

# **VEVOR<sup>®</sup>**

**TOUGH TOOLS, HALF PRICE**

Wsparcie techniczne i certyfikat e-gwarancji

[www.vevor.com/support](http://www.vevor.com/support)

## **Maszyna do spinania**

**MODEL: DS-16**

We continue to be committed to provide you tools with competitive price.

"Save Half", "Half Price" or any other similar expressions used by us only represents an estimate of savings you might benefit from buying certain tools with us compared to the major top brands and does not necessarily mean to cover all categories of tools offered by us. You are kindly reminded to verify carefully when you are placing an order with us if you are actually saving half in comparison with the top major brands.

# VEVOR®

TOUGH TOOLS, HALF PRICE

## STRAPPING MACHINE

Model: DS-16



### NEED HELP? CONTACT US!

Have product questions? Need technical support? Please feel free to contact us:

**Technical Support and E-Warranty Certificate**  
[www.vevor.com/support](http://www.vevor.com/support)

This is the original instruction, please read all manual instructions carefully before operating. VEVOR reserves a clear interpretation of our user manual. The appearance of the product shall be subject to the product you received. Please forgive us that we won't inform you again if there are any technology or software updates on our product.

## INSTRUCTIONS

Dziękujemy bardzo za wybranie tej maszyny do spinania

- Przed użyciem przeczytaj całą instrukcję. Informacje te pomogą Ci osiągnąć najlepsze możliwe rezultaty.

Produkty prezentowane w tym katalogu mogą różnić się kolorem od rzeczywistego .

### 1.Instrukcje bezpieczeństwa

Wymagane jest odpowiednie przeszkolenie. Personel, który nie został odpowiednio przeszkolony, nie może obsługiwać maszyny wiążącej. Nieprawidłowa obsługa może spowodować uszkodzenie sprzętu lub obrażenia ciała.

#### 1.1 Praca bateryjna

\*Ochrona środowiska

Prosimy nie wyrzucać zużytego akumulatora do domowego kosza na śmieci lub kubła na ścieki, nie uderzać ani nie spalać zużytego akumulatora.

\* Niebezpieczeństwo zwarcia

Nie przechowuj baterii razem z innymi metalowymi przedmiotami. Prosimy nie demontować akumulatorów samodzielnie i przechowywać je w suchym i mrozoodpornym pomieszczeniu. Temperatura otoczenia nie może przekraczać 50 stopni.

Nie ładuj zużytych baterii, a jeśli są uszkodzone lub nie nadają się do użytku, wymień je na nowe.

#### 1.2 Niebezpieczeństwo obrażeń oczu

**Należy** nosić ochronę oczu, aby zapobiec uszkodzeniu oczu podczas korzystania z tego produktu.

#### 1.3 Obsługa

Przeczytaj uważnie instrukcję i odpowiednio przeszkol się przed użyciem. Osoby, które nie zostały odpowiednio przeszkolone, nie mogą obsługiwać prasy przed naciągnięciem pasów, jeżeli nie będą

przestrzegane instrukcje lub jeżeli pasy zostaną niewłaściwie obciążone, może to doprowadzić do zerwania pasów lub awarii maszyny. Nie kładź rąk na obszarze wiązania, obszarze klejenia ani obszarze cięcia noża, dopóki nie zaznajomisz się z prasą. Połóż dłonie na obszarze wiązania, obszarze klejenia i obszarze wycięcie tnące.

#### **1.4 Obszar zgrzewania tarcowego**

Należy sprawdzić stan obszaru zgrzewania tarcowego oraz zapoznać się ze sterowaniem i regulacją czasu tarcia oraz czasu dokręcania. Nieregularny czas tarcia może spowodować słabe wiązanie i poważne uszkodzenia, dlatego nie należy wysyłać ani transportować pudeł, które nie zostały odpowiednio zapakowane i obsługiwane.

#### **1.5 Rozmieszczenie pasów do pakowania**

Do wydawania pasków należy używać specjalnie zaprojektowanego wózka z tacą na pasek. Jeśli nie używasz paska, zamocuj koniec pasków w otworze do mocowania paska.

#### **1.6 Ostrzeżenie o paskach**

Nie używaj pasów do ciągnięcia lub podnoszenia ładunków, ponieważ może to spowodować uszkodzenie przedmiotów lub obrażenia ciała.

#### **1.7 Niebezpieczeństwo zerwania paska**

Niewłaściwa obsługa; nadmierne dokręcenie; niezastosowanie pasów zgodnie z wymaganiami spowoduje utratę siły naciągu lub zerwanie pasów, co może ostatecznie spowodować uszkodzenie pudła/ładunku i złamanie przedmiotu, utratę równowagi i upadek operatora lub maszynę wiążącą i taśmy, które szybko wbiją się w twarz operatora, powodując obrażenia



#### **■ Uwaga:**

\* Jeżeli ładunek ma ostre krawędzie, należy zastosować zabezpieczenie krawędzi.

\* Owiń paski wokół odpowiedniego obszaru, który chcesz zapiąć.

\* Operator nie powinien znajdować się w tej samej pozycji, co maszyna

wiążąca podczas napinania i tarcia, aby zapobiec przewróceniu się prasy i pasów na twarz operatora. Przypomnij lub poproś osoby postronne, aby podczas pracy trzymały się z daleka od obszaru roboczego. Prosimy również o stosowanie taśm o zalecanej szerokości i wytrzymałości, co pomoże poprawić jakość i wydajność opakowania, ponieważ nieodpowiednie wiązanie może spowodować zerwanie taśmy lub poluzowanie się pudełka w czasie transportu.

### **1.8 Cięcie pasów**

Podczas przecinania pasów należy używać odpowiedniego narzędzia tnącego i zachować bezpieczną odległość od ludzi, nie w tej samej linii co paski i z dala od luźnego kierunku pasów. Proszę używać narzędzi specjalnie zaprojektowanych do cięcia pasów, a nie młotków, szczypiec, siekier, pił do metalu itp.

### **1.9 Niebezpieczeństwo poślizgu i upadku**

Należy utrzymywać miejsce wiązania w czystości i porządku, ponieważ zaniedbane miejsca pracy mogą być przyczyną wypadków i upadków, jeśli nie wylądujesz dobrze lub stracisz równowagę przed napięciem, szczególnie w małych obszarach pracy, takich jak klatki schodowe. Podczas przenoszenia staraj się zachować równowagę. Obie stopy muszą znajdować się jednocześnie na płaskiej i twardej powierzchni. Nie używaj urządzenia, jeśli jesteś chory lub w trudnej kondycji fizycznej.

Należy zwrócić uwagę na środki ostrożności wymienione specjalnie dla obszaru roboczego.

### **1.10 Niebezpieczeństwa związane z prasą**

- \* Dobra konserwacja prasy jest bardzo konieczna.
- \* Regularnie sprawdzaj części prasy. W przypadku zużycia lub uszkodzenia nie używaj prasy do czasu wymiany części.
- \* Nie używaj prasy bez pasów
- \* Nie modyfikuj prasy, ponieważ może to spowodować obrażenia ciała.

## **2. Parametry techniczne**

### **2.1 Opis opasarki do akumulatorów**

Wiązarka akumulatorowa DS-16 charakteryzuje się doskonałą skutecznością uszczelniania. Może sprawić, że użytkownicy będą cieszyć się wydajnym sposobem wiązania. DS-16 ma maksymalną moc naciągu wynoszącą 2500 N i 9 stopni można regulować za pomocą wyświetlacza cyfrowego. Zasilany jest baterią litową o dużej pojemności 6000mah, co pozwala na pracę 600 cykli na pełnym naładowaniu. Jedną z kluczowych cech sprzedaży jest to, że jest ekonomiczny w porównaniu z podobnymi produktami na rynku. Jest to dobry produkt dla dealerów, pozwalający zbadać i poznać rynek. DS-16 to potężne narzędzie, które może być szeroko stosowane w większości gałęzi przemysłu.

## **2.2 Wymiary prasy**

Długość: 3 6 0 MM

Szerokość: 13 0 MM

Wysokość: 1 4 0 MM

## **2.3 Materiały do pasania**

Materiał pasków: taśma PET (poliester) i PP (polipropylen) o płaskiej lub wytłaczanej powierzchni.

Specyfikacja pasków: szerokość 9-16 MM, grubość 0,4 -1,2 MM.

Proszę wybrać odpowiedni rozmiar pasów w zależności od zakupionej prasy.

## **2.4 Siła pasów**

Siła rozciągająca: regulowana w zakresie od 60 0 do 32 00 N, maksymalna wartość zależy od materiału pasków.

Prędkość podawania taśmy: 50-150 MM/S. Siła tarcia: ok. 75% wartości wytrzymałości pasów.

## **2.5 Środowisko pracy**

Temperatura otoczenia podczas pracy wynosi 5-45°C, optymalna temperatura pracy wynosi 15-25°C.

Używaj lub przechowuj ostrożnie, aby chronić przed wodą i wilgocią.

# **3. Akcesoria**



▪ Uwaga: Należy używać dodatków lub akcesoriów wymienionych w instrukcji. Używanie innych dodatków może spowodować uszkodzenie sprzętu lub obrażenia ciała.

### **3.1 Przenośna prasa akumulatorowa**

Ponieważ prasa wykorzystuje akumulatory niklowo-kadmowe (Nicc) niklowo-metalowo-wodorkowe (NiMH), akumulatory należy zakupić osobno, zgodnie z poniższymi parametrami.

Typ: bateria litowa

Napięcie: 18 V

Pojemność: 5000 MAH

### **3.2 Ładowarka akumulatora**

Ładowanie bezpośrednie (opcjonalnie)

Napięcie wejściowe ładowarki: AC100-240V

Napięcie wyjściowe: 21 V, 2,5 A

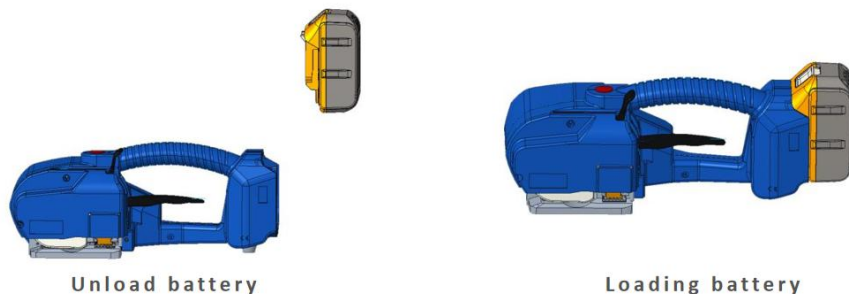
Czas ładowania: około 90 minut.

## **4. Operacje**

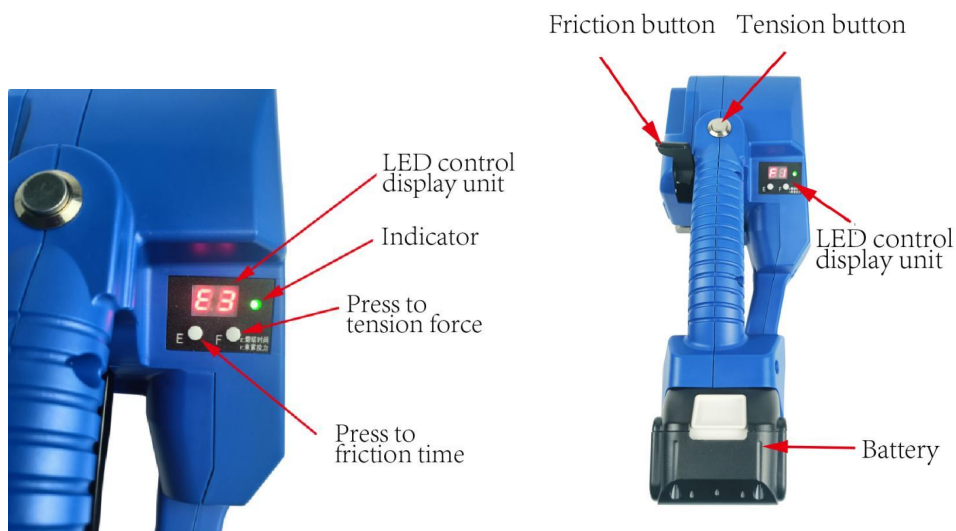
### **4.1 Instalacja baterii**

- \* Nie zostawiaj akumulatorów prasy belującej na deszczu lub w wodzie.
- \* Ze względów bezpieczeństwa akumulator dostarczany jest w stanie nienaładowanym i oddzielony od urządzenia, należy postępować zgodnie z instrukcją montażu.
- \* Wyjmij baterię, naciskając zatrzask zatrzaskowy akumulatora kciukiem i wyciągając go do góry lub zwalniając zatrzask zatrzaskowy po załadowaniu akumulatora.
- \* Lampka kontrolna świeci na czerwono, gdy poziom naładowania baterii jest niski, lampka kontrolna świeci na czerwono podczas ładowania, a kontrolka ładowania świeci na zielono, gdy ładowanie jest zakończone.

## Battery disassembly diagram



## 4.2 Elementy obsługi



## 4.3 Tryb półautomatyczny i tryb automatyczny

L-16 ma 2 tryby napinania: napinanie jednym dotknięciem i napinanie przycisku w sposób ciągły. Jak dokonać konwersji trybu? Wystarczy nacisnąć przycisk naciągu i jednorazowo podnieść rączkę, a gdy kontrolka zacznie migać na przemian, konwersja trybu zostanie dokonana.



#### 4.4 Operacje pras

**\*Tryb półautomatycznego napinania (naciśnij przycisk w sposób ciągły, aby napiąć)**

Krok 1 Owiń i ułóż paski

Proszę owinąć paski w sposób pokazany na rysunku i nie dopuścić do ich zamoczenia olejem lub innymi zanieczyszczeniami.



Krok 2 polega na umieszczeniu pasów w prasie

Podczas zakładania pasów należy je ułożyć w kierunku naprężenia na górnym końcu, dolne paski należy naciągnąć do spodu koła podającego tak, aby podczas zakładania pasów zakryć przód płytki zębatej o 5-10MM

dłużej, unieś uchwyt prawą ręką, lewą ręką włóż paski, górny i dolny koniec pasów należy po zwolnieniu uchwytu ułożyć równoległe do siebie.



### Krok 3 Naciągnij lub wsuń paski

Po naciśnięciu i zwolnieniu przycisku napinania prasa wyświetli domyślny czas naprężenia. Gdy szczelność jest niewystarczająca lub zbyt ciasna, po prostu odpowiednio zwiększ lub zmniejsz stopień siły naprężenia, aż będzie odpowiedni. Podczas dokręcania należy utrzymywać prasę poruszającą się równoległe, a prasę w kierunku do przodu wolną od przedmiotów.



### Krok 4 Zgrzewanie pasów

Po naciśnięciu przycisku tarcia prasa automatycznie zgrzewa i przecina pasy (czas jest ustawiany przez system i można go zwiększać lub

zmniejszać, regulując stopień czasu tarcia).



#### Krok 5 Odsuń prasę

Po zakończeniu wiązania podnieś uchwyt i koło podające obracaj się w odwrotnym kierunku, aby odpowiednio poluzować paski, a następnie odsuń prasę.



\* Jedno dotknięcie, aby przejść do trybu napięcia

#### Krok 1 Owiń i ułóż paski

Proszę owinąć paski w sposób pokazany na rysunku i nie dopuścić do ich zamoczenia olejem lub innymi zanieczyszczeniami.



Krok 2 polega na umieszczeniu pasów w prasie

Podczas zakładania pasów należy je ułożyć w kierunku naprężenia na górnym końcu, dolne paski należy naciągnąć do spodu koła podającego tak, aby podczas zakładania pasów zakryć przód płytki zębatej o 5-10MM dłużej, unieś uchwyt prawą ręką, lewą ręką włóż paski, górny i dolny koniec pasów należy po zwolnieniu uchwytu ułożyć równoległe do siebie.



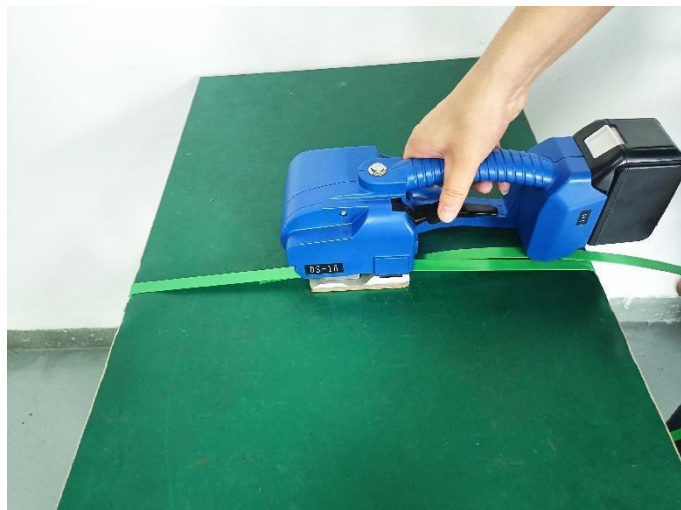
Krok 3 Zaciśnij paski

Po naciśnięciu i zwolnieniu przycisku napinania prasa automatycznie napina pasy.



#### Krok 4 Zgrzewanie pasów

Po naciśnięciu przycisku tarcia prasa automatycznie zgrzewa i przecina pasy (czas jest ustawiany przez system i można go zwiększać lub zmniejszać, regulując stopień czasu tarcia).

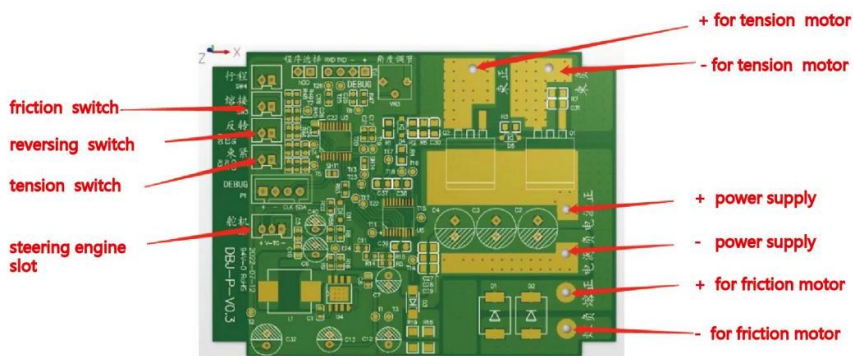


#### Krok 5 Odsuń prasę

Po zakończeniu wiązania podnieś uchwyt i koło podające obracaj się w odwrotnym kierunku, aby odpowiednio poluzować paski, a następnie odsuń prasę.



## 5. Połączenia elektryczne

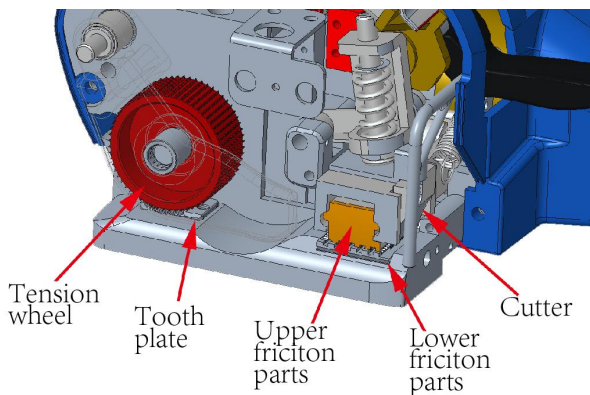


## 6. Wymiana części zużywalnych i regulacja stanu

### łączenia

- Uwaga: Przed każdym serwisowaniem należy odłączyć wyłącznik zasilania i wyjąć baterie.

### 6.1 Wymiana części zużywalnych



**Nóż (JD-PSE-G016):** Najpierw poluzuj śrubę na lewej pokrywie (JD-L16-G01) i zdejmij ją, następnie wykręć śrubę na nożu i wyjmij nóż w celu wymiany. Po zamontowaniu noża należy go zamontować w odwrotnej kolejności.

**Dolna płytkę zębatą (JD-PSE-G011):** najpierw odkręć śruby mocujące płytkę zębatą i wyjmij ją, następnie wymień wysuniętą płytkę zębatą. Po wymianie zmontuj go w odwrotnej kolejności.

**Koło napinające (JD-PSE-G012):** zdejmij lewą pokrywę zgodnie z powyższym opisem, odkręć nakrętkę zamocowaną na wale łączącym (JD-L16-G021), zdejmij pokrywę koła napinającego (JD-L16-G007), wymień koło zabezpieczające i wymień je w odwrotnej kolejności.

**Dolna część cierna (JD-PSE-G013):** Najpierw poluzuj i usuń śruby bez łała zamocowane na wale dolnej części czarnej, wypchnij dolną część cierną od dołu w celu wymiany, a następnie wymień ją w odwrotnej kolejności.

## 6.2 Regulacja dokręcania, klejenia i cięcia

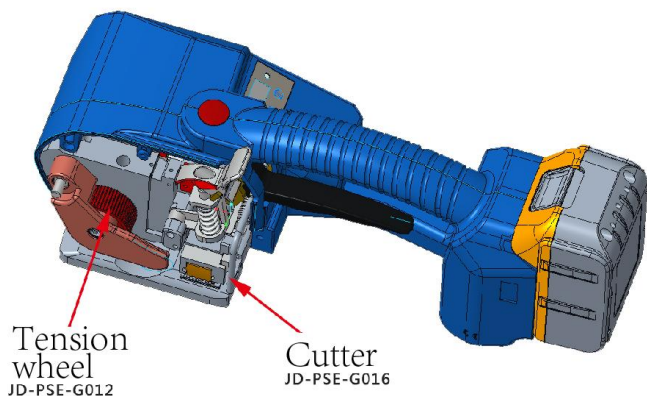
①. Jeśli dokręcenie się poluzuje, poluzuj śruby przymocowane do płytki zębatej i zamontuj uszczelkę płytki zębatej (JD-PSE-G028), aby podnieść płytkę zębatą lub wymienić płytkę zębatą.

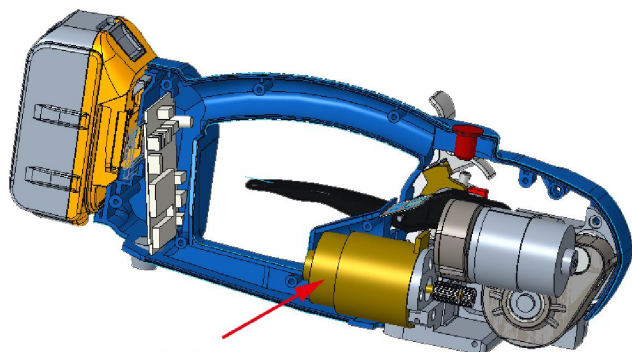
②. W przypadku stosowania różnych pasów uszczelniających o grubości 0,4–1,2 mm należy w odpowiednim czasie wyregulować odstęp między górną częścią cierną (JD-PSE-G008) a dolną częścią cierną, w przeciwnym razie nastąpi słabe spawanie. Podczas regulacji luzu

między górną i dolną częścią cierną należy najpierw zdjąć lewą osłonę, następnie poluzować przycisk usuwania uszczelki (JD-PSE-G005), zamocować dolny wał dociskowy płytki łączącej (JD-PSE-G022) za pomocą śrubokrętem płaskim, a następnie obrócić nakrętkę na wale łączącym w prawo lub w lewo. Przy obrocie w kierunku zgodnym z ruchem wskazówek zegara luz między górną i dolną częścią cierną staje się większy, a przy obrocie w kierunku przeciwnym do ruchu wskazówek zegara luz staje się mniejszy.

③. Czas wiązania i siłę dokręcania można regulować za pomocą cyfrowych okienek E i F na prawej pokrywie. Klawisz E reguluje czas zgrzewania, a klawisz F reguluje siłę dokręcania, zwiększając ją od stopnia 1 do stopnia 9.

④. Informacje na temat wymiany części zużywalnych oraz regulacji czasu (efektu) klejenia i spawania można znaleźć w poniższej tabeli.





Sealing motor  
JDH-16-E03

## Schemat efektu spawania i łączenia



Perfect friction time



Friction time is too short



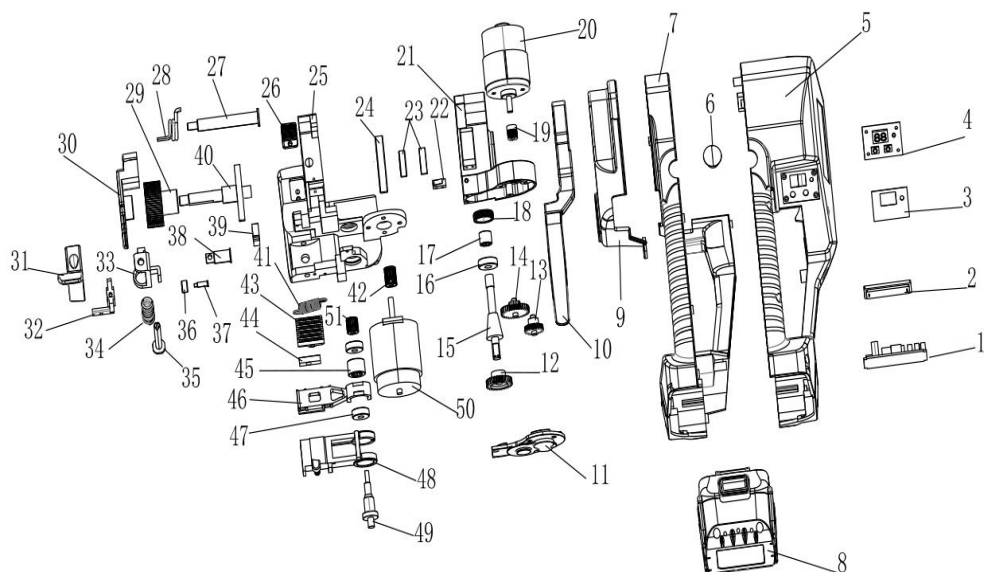
Friction time is too long

## 7. Typowe usterki elektryczne

W trakcie użytkowania prasa nagle się zacięła, a dioda LED świeci na czerwono, gdy nie można wyjąć paska prasującego, który utknął w maszynie. Należy natychmiast wyłączyć zasilanie, odciąć paski, aby usunąć te, które utknęły w narzędziu, natychmiast naładować akumulator lub wymienić go. Po upewnieniu się, że akumulator jest naładowany i usterka nie została usunięta, po wyjęciu akumulatora należy zdjąć lewą i prawą plastikową osłonę w celu sprawdzenia narzędzia, np. sprawdzenia przełączników lub okablowania każdego przełącznika lub na silnikach nie odpadła lub wymienić mikroprzełącznik lub wymienić silnik z uszczelnieniem

ciernym.

## 13、Widok rozstrzelony produktu i lista części



Item	Part name	Specification	Material code	Qty.
1	PCB		JD-A16-E019	1
2	Battery adapter slot		JD-L16-G06	1
3	PVC sticker		JD-L16-G07	1
4	LED display unit		JD-L16-G05	1
5	Right house		JD-L16-G03	1
6	Tension button	OD16	JD-PSE-E039	1
7	Left house		JD-L16-G02	1
8	Battery	18V, 5.0A	JD-PSE-E051	1
9	Left side cover		JD-L16-G01	1
10	Lift		JD-L16-G004	1
11	Reducer cover plate		JD-L16-G003	1
12	Connect-gear for worm		JD-PSE-G033	1
13	Variable speed gear D		JD-L16-G036	1
14	Double gear		JD-PSE-G031	1
15	Worm gear		JD-PSE-G030	1
16	Bearing 607		JD-PSE-E012	1
17	Bearing BK0810		JD-PSE-E015	1

<b>Item</b>	<b>Part name</b>	<b>Specification</b>	<b>Material code</b>	<b>Qty.</b>
18	Gear box tooth sleeve		JD-L16-04	1
19	gear B		JD-PSE-G032	1
20	Tension motor		JD-L16-E01	1
21	Reduction gear box		JD-L16-G002	1
22	Switch B		JD-PSE-E007	1
23	Ball bearing A 6900		JD-PSE-E010	2
24	Reducer cover		JD-PSE-G015	1
25	Body		JD-L16-G001	1
26	Tooth plate		JD-PSE-G011	1
27	M6 boss pivot pin		JD-L16-G021	1
28	Reset torsion spring		JD-PSE-G019	1
29	Tension wheel DB-009		JD-PSE-G012	1
30	Tension wheel cover		JD-L16-G007	1
31	Sealing button		JD-PSE-G005	1
32	Cam unit		JD-PSE-G014	1
33	Spring cavity DB-021		JD-PSE-G010	1
34	Compression spring		JD-PSE-G020	1

<b>Item</b>	<b>Part name</b>	<b>Specification</b>	<b>Material code</b>	<b>Qty.</b>
35	Shaft		JD-PSE-G022	1
36	Cam driver		JD-PSE-G038	1
37	4*12.5 pin		JD-PSE-E022	1
38	Shaft pin		JD-PSE-G023	1
39	Sealing switch A		JD-PSE-E006	1
40	Curved umbrella tooth		JD-PSE-G029	1
41	Drag spring		JD-PSE-G017-2	1
42	Synchronous wheel A		JD-PSE-G034	1
43	Lower friction parts		JD-PSE-G013	1
44	Cutter		JD-PSE-G016	1
45	Bearing A 101712		JD-PSE-E014-1	1
46	Upper friction parts		JD-PSE-G008	1
47	Bearing B 606		JD-PSE-E011	2
48	Friciton part bracket		JD-PSE-G009	1
49	Eccentric shaft		JD-PSE-G024	1
50	Sealing motor		JDH-16-E03	1
51	Synchronous wheel B		JD-PSE-G035	1

**Adres** : Shuangchenglu 803nong11hao1602A-1609shi, baoshanqu, szanghaj  
200000 CN.

**Import do AUS:** SIHAO PTY LTD, 1 ROKEVA STREET EASTWOOD NSW  
2122 Australia

**Import do USA:** Sanven Technology Ltd., Suite 250, 9166 Anaheim Place,  
Rancho Cucamonga, CA 91730

<b>EC</b>	<b>REP</b>
-----------	------------

E-CrossStu GmbH  
Mainzer Landstr.69, 60329 Frankfurt am Main.

<b>UK</b>	<b>REP</b>
-----------	------------

YH CONSULTING LIMITED.  
C/O YH Consulting Limited Office 147, Centurion House,  
London Road, Staines-upon-Thames, Surrey, TW18 4AX

# **VEVOR<sup>®</sup>**

**TOUGH TOOLS, HALF PRICE**

**Wsparcie techniczne i certyfikat e-gwarancji**

[www.vevor.com/support](http://www.vevor.com/support)

# VEVOR<sup>®</sup>

**TOUGH TOOLS, HALF PRICE**

Technische ondersteuning en e-garantiecertificaat

[www.vevor.com/support](http://www.vevor.com/support)

## Omsnoeringsmachine

**MODEL: DS-16**

We continue to be committed to provide you tools with competitive price.

"Save Half", "Half Price" or any other similar expressions used by us only represents an estimate of savings you might benefit from buying certain tools with us compared to the major top brands and does not necessarily mean to cover all categories of tools offered by us. You are kindly reminded to verify carefully when you are placing an order with us if you are actually saving half in comparison with the top major brands.

# VEVOR<sup>®</sup>

TOUGH TOOLS, HALF PRICE

## STRAPPING MACHINE

Model: DS-16



### NEED HELP? CONTACT US!

Have product questions? Need technical support? Please feel free to contact us:

**Technical Support and E-Warranty Certificate**  
[www.vevor.com/support](http://www.vevor.com/support)

This is the original instruction, please read all manual instructions carefully before operating. VEVOR reserves a clear interpretation of our user manual. The appearance of the product shall be subject to the product you received. Please forgive us that we won't inform you again if there are any technology or software updates on our product.

## INSTRUCTIONS

Hartelijk dank dat u voor deze omsnoeringsmachine hebt gekozen  
- Lees alle instructies voordat u het gebruikt. De informatie zal u helpen de best mogelijke resultaten te bereiken.

De producten in deze catalogus kunnen qua kleur afwijken van het daadwerkelijke artikel .

### 1. Veiligheidsinstructies

Een juiste opleiding is vereist. Ondeskundig opgeleid personeel mag de omsnoeringsmachine niet bedienen. Een onjuiste bediening kan leiden tot schade aan de apparatuur of persoonlijk letsel.

#### 1.1 Batterijwerking

\*Milieubescherming

Gooi de gebruikte batterij niet in de huisvuilbak of de afvalwateremmer. Sla de lege batterij niet en verbrand deze niet.

\*Kortsluitingsgevaar

Bewaar de batterijen niet samen met andere metalen voorwerpen. Demonteer de batterijen a.u.b. niet zelf en bewaar ze in een droge en vorstbestendige ruimte. De omgevingstemperatuur mag niet hoger zijn dan 50 graden.

Laad gebruikte batterijen niet op en vervang ze door nieuwe wanneer ze beschadigd of onbruikbaar zijn.

#### 1.2 Gevaren voor oogletsel

**Draag** oogbescherming om schade aan uw ogen te voorkomen bij gebruik van dit product.

#### 1.3 Bediening

Lees de instructies aandachtig door en train goed voor gebruik. Personen die niet goed zijn opgeleid, mogen de balenpers niet bedienen voordat de banden zijn vastgemaakt. Als de instructies niet worden gevolgd of als de banden onredelijk worden belast, kan dit leiden tot breuk van de banden of defecten aan de machine. Plaats uw handen pas op het

bindgebied, het lijmgebied of het snijgebied van de snijder als u vertrouwd bent met de balenpers. Plaats uw hand op het bindgebied, het lijmgebied en de snijder uitgesneden.

#### **1.4 Wrijvingslasgebied**

U dient de toestand van het wrijvingslasgebied te controleren en uzelf vertrouwd te maken met de controle en aanpassing van de wrijvingstijd en aanhaaltijd. Onregelmatige wrijvingstijd kan resulteren in een slechte hechting en tot ernstige schade leiden. Verzend of transporteer daarom geen dozen die niet op de juiste manier zijn verpakt en behandeld.

#### **1.5 Distributie van pakriemen**

Gebruik voor het afgeven van de riemen de speciaal ontworpen gordelgootslede. Wanneer u de banden niet gebruikt, bevestigt u het uiteinde van de banden in de bevestigingsopening voor de banden.

#### **1.6 Waarschuwing voor riemen**

Gebruik geen riemen om lasten te slepen of op te tillen, aangezien dit kan leiden tot schade aan voorwerpen of persoonlijk letsel.

#### **1.7 Gevaren van breuk van de riem**

Onjuiste bediening; overmatig strak; Als u de omsnoering niet gebruikt zoals vereist, gaat de spankracht verloren of breekt de omsnoering, waardoor uiteindelijk de doos/lading beschadigd kan raken en het voorwerp kapot kan gaan, de operator zijn evenwicht kan verliezen en kan vallen, of de omsnoeringsmachine kan verdwijnen. en de banden vliegen snel in het gezicht van de bestuurder en veroorzaken letsel

#### **■ Opmerking:**

\* Indien de lading scherpe randen heeft, dient u randbescherming toe te voegen.

\* Wikkel de banden rond het juiste gebied dat moet worden vastgebonden.

\* De bestuurder mag zich tijdens het aanspannen en wrijving niet in dezelfde rechte lijn bevinden als de omsnoeringsmachine, om te voorkomen dat de balenpers en de riemen in het gezicht van de bestuurder vallen. Herinner of vraag omstanders om tijdens het gebruik uit de buurt

van het werkgebied te blijven. Gebruik ook omsnoeringsband met de aanbevolen breedte- en sterktespecificaties, wat de kwaliteit en efficiëntie van de verpakking zal helpen verbeteren, aangezien ongeschikte omsnoeringsband ertoe kan leiden dat de omsnoeringsband breekt of dat de doos tijdens het transport losraakt.

### **1.8 Snijden van banden**

Gebruik bij het doorknippen van de banden het juiste snijgereedschap en houd een veilige afstand tot mensen, niet in dezelfde lijn als de banden en uit de buurt van de losse richting van de omsnoering. Gebruik het gereedschap dat speciaal is ontworpen voor het doorknippen van banden, geen hamers, tangen, bijlen, ijzerzagen enz.

### **1.9 Gevaar voor uitglijden en vallen**

Houd het omsnoeringsgebied schoon en netjes, omdat slordige werkplekken ongelukken kunnen veroorzaken en vallen kan optreden als u niet goed landt of uit balans bent voordat u spanning opdoet, vooral in kleine werkruimtes zoals trappenhuisen. Probeer tijdens het hanteren uw evenwicht te bewaren. Beide voeten moeten tegelijkertijd op een vlakke en stevige ondergrond staan. Gebruik het apparaat niet als u zich niet lekker voelt of in een moeilijke lichamelijke toestand verkeert.

Houd rekening met de voorzorgsmaatregelen die specifiek voor het werkgebied zijn vermeld.

### **1.10 Gevaren van de balenpers**

- \* Goed onderhoud van de balenpers is zeer noodzakelijk.
- \* Controleer de onderdelen van de balenpers regelmatig. Als er sprake is van slijtage of schade, gebruik de balenpers dan niet verder totdat de onderdelen zijn vervangen.
- \* Gebruik de balenpers niet zonder de riemen
- \* Breng geen wijzigingen aan aan de balenpers, aangezien dit persoonlijk letsel kan veroorzaken.

## **2. Technische parameters**

### **2.1 Beschrijving van het accu-omsnoeringsapparaat**

De DS-16 accu-omsnoeringsmachine heeft een perfecte sluitprestatie. Het zorgt ervoor dat gebruikers kunnen genieten van een efficiënte manier van omsnoeren. De DS-16 heeft een maximale spankracht van 2500N en 9 graden kunnen worden aangepast via digitale displaybediening. Hij wordt aangedreven door een 6000 mAh lithiumbatterij met hoge capaciteit, waardoor hij 600 cycli kan werken per volledige lading. Een van de belangrijkste verkoopargumenten is dat het zuinig is in vergelijking met vergelijkbare producten op de markt. Het is een goed product voor dealers om de markt te verkennen en te grijpen. DS-16 is zo'n krachtig hulpmiddel en kan op grote schaal in de meeste industrieën worden gebruikt.

## **2.2 Afmetingen van de balenpers**

Lengte: 3 6 0 MM

Breedte: 13 0 MM

Hoogte: 1 4 0 MM

## **2.3 Omsnoeringsmaterialen**

Materiaal banden: PET (polyester) en PP (polypropyleen) tape met een vlak of reliëfoppervlak.

Specificaties bandjes: breedte 9-16MM, dikte 0,4 -1,2MM .

Kies de riemen van de juiste maat, afhankelijk van de balenpers die u koopt.

## **2.4 Sterkte van de banden**

Rekkracht: instelbaar van 60 0 tot 32 00 N, maximale waarde wordt bepaald door het materiaal van de banden.

Bandinvoersnelheid: 50-150 MM/S. Wrijvingssterkte: ca. 75% van de sterkte waarde van de banden.

## **2.5 Werkomgeving**

De omgevingstemperatuur voor gebruik is 5-45°C, met een optimale werktemperatuur van 15-25°C.

Zorgvuldig gebruiken of bewaren ter bescherming tegen water en vocht.

# **3. Accessoires**



■ **Opmerking:** gebruik de hulpstukken of accessoires die in de handleiding worden genoemd. Het gebruik van andere hulpstukken kan schade aan de apparatuur of persoonlijk letsel veroorzaken.

### **3.1 Oplaadbare draagbare balenpers**

Aangezien de balenpers nikkel-cadmium (Nicc)-nikkel-metaalhydride (NiMH)-batterijen gebruikt, dient u de batterijen apart aan te schaffen volgens de volgende parameters.

Type: lithiumbatterij

Spanning: 18V

Capaciteit: 5000 MAH

### **3.2 Acculader**

Direct opladen (optioneel)

Ingangsspanning van de lader: AC100-240V

Uitgangsspanning: 21V, 2,5A

Oplaadtijd: ongeveer 90 minuten.

## **4. Operaties**

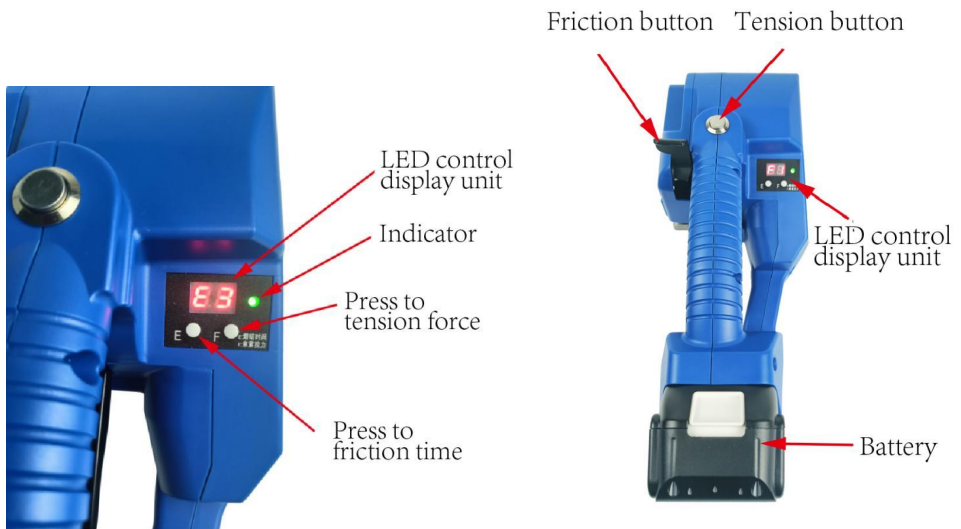
### **4.1 Installatie van de batterij**

- \* Laat de accu's van de balenpers niet in de regen of in het water liggen.
- \* Om veiligheidsredenen wordt de batterij ongeladen en gescheiden van het apparaat geleverd. Volg de instructies voor montage.
- \* Verwijder de batterij door met uw duim op de batterij Clip Snap te drukken en deze naar boven te trekken of door de Clip Snap los te laten na het plaatsen van de batterij.
- \* Het indicatielampje is rood als de batterij bijna leeg is, het indicatielampje is rood tijdens het opladen en het oplaadindicatielampje is groen als het opladen is voltooid.

## Battery disassembly diagram



## 4.2 Bedieningselementen



## 4.3 Semi-automatische modus en automatische modus

L-16 heeft 2 spanningsmodi: één aanraking om te spannen en druk continu op de knop om te spannen. Hoe modusconversie te maken? Druk gewoon op de spanningsknop en til de hendel in één keer op. Wanneer de indicator afwisselend knippert, is de modusconversie voltooid.



#### 4.4 Bedienung van de balenpers

**\*Semi-automatische spanningsmodus (druk continu op de knop om te spannen)**

Stap 1 Wikkel de banden in en stapel ze op elkaar

Wikkel de banden op de manier zoals afgebeeld en zorg ervoor dat de banden nooit nat worden door olie of ander vuil.



Bij stap 2 worden de banden in de balenpers gestoken

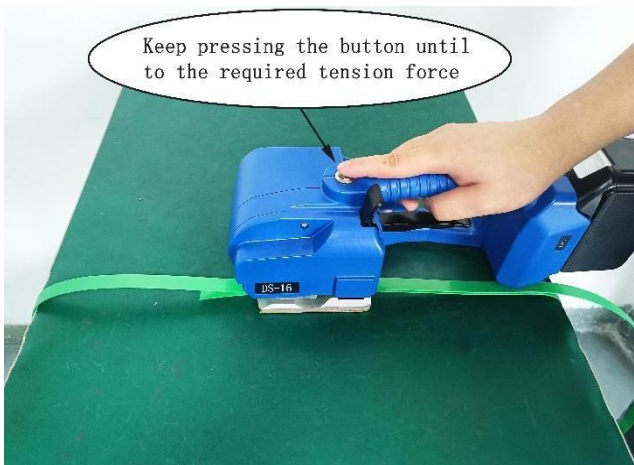
Bij het inbrengen van de banden moeten de banden in de richting van de spanning aan de bovenkant worden gestapeld, de onderste omsnoering moet worden uitgerekt tot aan de onderkant van het invoerwiel om de

voorkant van de tandplaat 5-10MM langer te bedekken, bij het inbrengen van de banden Til de hendel op met uw rechterhand, steek de riemen in met uw linkerhand. De bovenste en onderste uiteinden van de riemen moeten evenwijdig aan elkaar worden gestapeld nadat u de tilhendel hebt losgelaten.



Stap 3 Trek de banden aan of voer ze in

Wanneer u op de spanknop drukt en deze weer loslaat, geeft de balenpers u de standaard vooraf ingestelde spantijd. Wanneer de spanning niet voldoende of te strak is, verhoogt of verlaagt u gewoon de spanningsgraad totdat deze geschikt is. Zorg er bij het vastdraaien voor dat de balenpers parallel beweegt en dat de voorwaartse richting van de balenpers vrij is van allerlei voorwerpen.



#### Stap 4 Het lassen van de banden

Nadat u op de wrijvingsknop heeft gedrukt, sluit de balenpers automatisch de banden af en snijdt deze af (de tijd wordt vooraf ingesteld door het systeem en kan worden verhoogd of verlaagd door de wrijvingstijd aan te passen).



#### Stap 5 Verplaats de balenpers

Wanneer het lijmen is voltooid, tilt u de hendel op en draait u het invoerwiel in de omgekeerde richting om de riemen los te maken, en verplaatst u vervolgens de balenpers.



\* Eén aanraking naar de spanningsmodus

Stap 1 Wikkel de banden in en stapel ze op elkaar

Wikkel de banden op de manier zoals afgebeeld en zorg ervoor dat de banden nooit nat worden door olie of ander vuil.



Bij stap 2 worden de banden in de balenpers gestoken

Bij het inbrengen van de banden moeten de banden in de richting van de spanning aan de bovenkant worden gestapeld, de onderste omsnoering moet worden uitgerekt tot aan de onderkant van het invoerwiel om de voorkant van de tandplaat 5-10MM langer te bedekken, bij het inbrengen van de banden Til de hendel op met uw rechterhand, steek de riemen in met uw linkerhand. De bovenste en onderste uiteinden van de riemen moeten evenwijdig aan elkaar worden gestapeld nadat u de tilhendel hebt losgelaten.



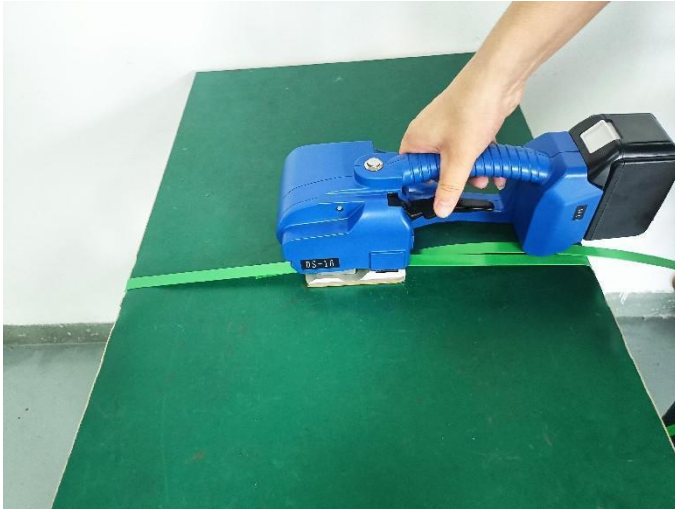
### Stap 3 Trek de banden strak

Wanneer u de spanknop indrukt en loslaat, spant de balenpers de banden automatisch aan.



### Stap 4 Het lassen van de banden

Nadat u op de wrijvingsknop heeft gedrukt, sluit de balenpers automatisch de banden af en snijdt deze af (de tijd wordt vooraf ingesteld door het systeem en kan worden verhoogd of verlaagd door de wrijvingstijd aan te passen).

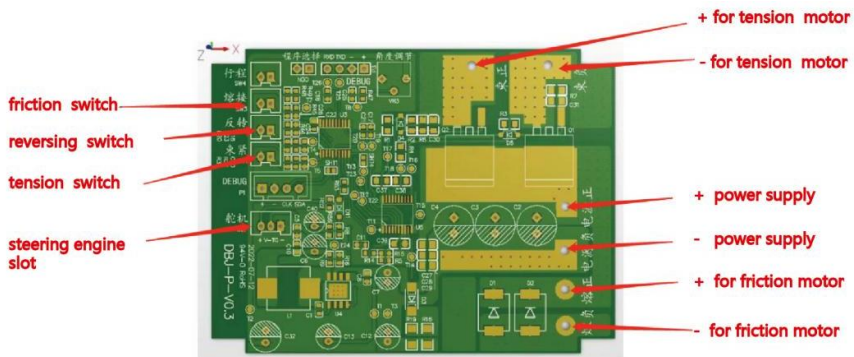


### Stap 5 Verplaats de balenpers

Wanneer het lijmen is voltooid, tilt u de hendel op en draait u het invoerwiel in de omgekeerde richting om de riemen los te maken, en verplaatst u vervolgens de balenpers.



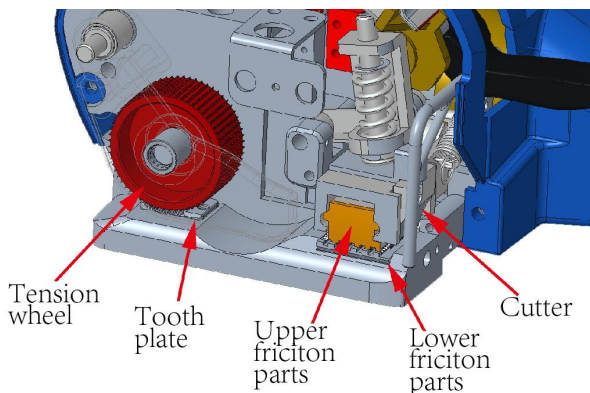
### 5. Elektrische aansluitingen



## 6. Vervanging van slijtageonderdelen en aanpassing van de hechtingsstatus

■ Opmerking: Koppel vóór elk onderhoud de aan/uit-schakelaar los en verwijder de batterijen.

### 6.1 Vervanging van slijtageonderdelen



**Snijder (JD-PSE-G016):** Draai eerst de schroef op de linker afdekkap (JD-L16-G01) los en verwijder deze, verwijder vervolgens de schroef op de snijder en verwijder de snijder voor vervanging. Nadat u de snijder hebt geïnstalleerd, installeert u deze in omgekeerde volgorde.

**Onderste tandplaat (JD-PSE-G011):** verwijder eerst de schroeven waarmee de tandplaat is bevestigd en verwijder deze, plaats vervolgens

de uitgeworpen tandplaat terug. Na het vervangen monteert u deze in omgekeerde volgorde.

Spanwiel (JD-PSE-G012): verwijder de linker afdekplaat zoals hierboven beschreven, verwijder de moer die op de verbindingsas is bevestigd (JD-L16-G021), verwijder de spanwielafdekking (JD-L16-G007), vervang het vasthoudwiel en plaats het terug in omgekeerde volgorde.

Onderste wrijvingsdeel (JD-PSE-G013): Draai eerst de koploze schroeven los en verwijder deze die op de as van het onderste wrijvingsdeel zijn bevestigd, duw het onderste wrijvingsdeel vanaf de onderkant naar buiten voor vervanging en plaats het vervolgens in omgekeerde volgorde terug.

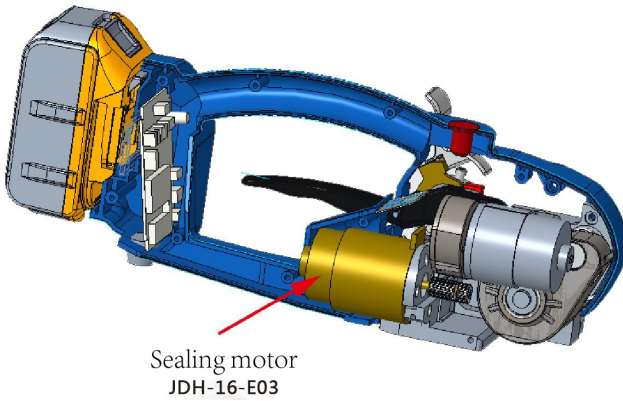
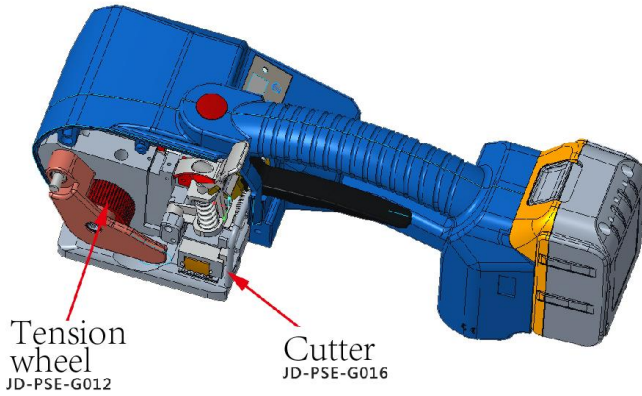
## **6.2 Afstellingen voor vastdraaien, lijmen en snijden**

①. Als het vastdraaien mislukt, draait u de schroeven los die op de tandplaat zijn bevestigd en installeert u de tandplaatpakking (JD-PSE-G028) om de tandplaat omhoog te brengen of de tandplaat te vervangen.

②. Wanneer u verschillende verpakingsbanden met een dikte van 0,4-1,2 mm gebruikt, pas dan tijdig de opening tussen het bovenste wrijvingsdeel (JD-PSE-G008) en het onderste wrijvingsdeel aan, anders zal slecht lassen optreden. Wanneer u de speling tussen het bovenste en onderste wrijvingsdeel aanpast, verwijdert u eerst de linker afdekplaat en maakt u vervolgens de knop voor het verwijderen van de afdichting los (JD-PSE-G005). Bevestig de onderste compressie-as van de verbindingsplaat (JD-PSE-G022) met een platte schroevendraaier en draai vervolgens de moer op de verbindingsas met de klok mee of tegen de klok in. Bij rechtsonm draaien wordt de speling tussen het bovenste en onderste wrijvingsdeel groter, en bij linksonm draaien wordt de speling kleiner.

③. De lijmtijd en de spankracht worden aangepast via de digitale displayvensters E en F op de rechterkap. Toets E past de fusietijd aan, en toets F past de aanhaalkracht aan, oplopend van graad 1 tot graad 9.

④. Raadpleeg het volgende schema voor het vervangen van slijtdelen en het aanpassen van de las- en lastijd (effect).



## Diagram van las- en hechtingseffect



Perfect friction time



Friction time is too short

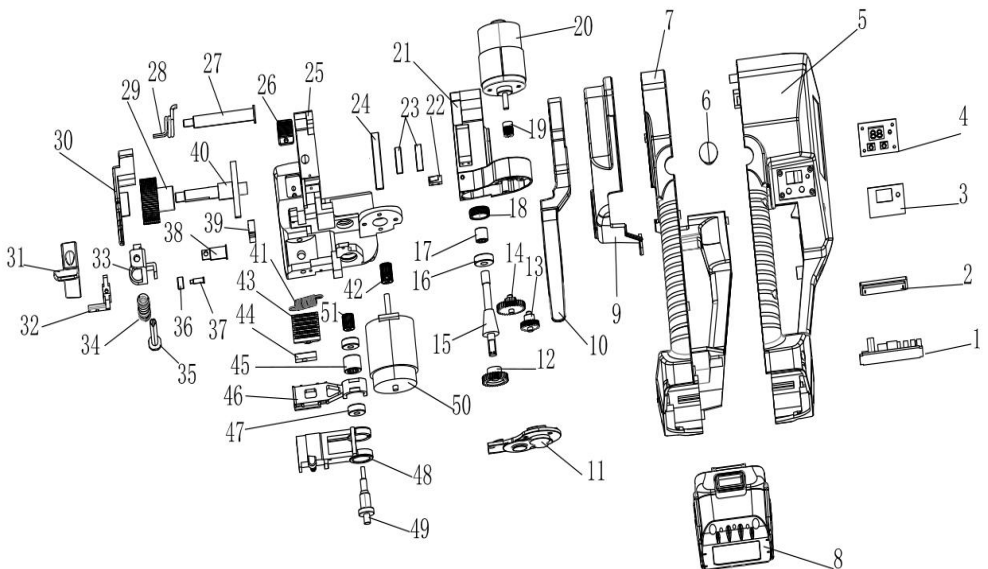


Friction time is too long

## 7. Veelvoorkomende elektrische storingen

Tijdens het gebruik loopt het balenpersgereedschap plotseling vast en de LED brandt rood wanneer de balenpersband die in de machine vastzit niet kan worden verwijderd. Schakel de stroom onmiddellijk uit, knip de riemen af om de riemen die in het gereedschap vastzitten te verwijderen en laad ze onmiddellijk op de accu of vervang de accu. Wanneer u bevestigt dat de accu stroom heeft en de storing niet is verholpen, moet u na het verwijderen van de accu de plastic afdekkingen links en rechts verwijderen om het gereedschap te controleren, zoals het controleren van de schakelaars of de bedrading op elke schakelaar of op de motoren is er niet af gevallen, of vervang de microschakelaar of vervang de wrijvingsafdichtingsmotor.

## 14. Explosietekening van het product en onderdelenlijst



Item	Part name	Specification	Material code	Qty.
1	PCB		JD-A16-E019	1
2	Battery adapter slot		JD-L16-G06	1
3	PVC sticker		JD-L16-G07	1
4	LED display unit		JD-L16-G05	1
5	Right house		JD-L16-G03	1
6	Tension button	OD16	JD-PSE-E039	1
7	Left house		JD-L16-G02	1
8	Battery	18V, 5.0A	JD-PSE-E051	1
9	Left side cover		JD-L16-G01	1
10	Lift		JD-L16-G004	1
11	Reducer cover plate		JD-L16-G003	1
12	Connect-gear for worm		JD-PSE-G033	1
13	Variable speed gear D		JD-L16-G036	1
14	Double gear		JD-PSE-G031	1
15	Worm gear		JD-PSE-G030	1
16	Bearing 607		JD-PSE-E012	1
17	Bearing BK0810		JD-PSE-E015	1

Item	Part name	Specification	Material code	Qty.
18	Gear box tooth sleeve		JD-L16-04	1
19	gear B		JD-PSE-G032	1
20	Tension motor		JD-L16-E01	1
21	Reduction gear box		JD-L16-G002	1
22	Switch B		JD-PSE-E007	1
23	Ball bearing A 6900		JD-PSE-E010	2
24	Reducer cover		JD-PSE-G015	1
25	Body		JD-L16-G001	1
26	Tooth plate		JD-PSE-G011	1
27	M6 boss pivot pin		JD-L16-G021	1
28	Reset torsion spring		JD-PSE-G019	1
29	Tension wheel DB-009		JD-PSE-G012	1
30	Tension wheel cover		JD-L16-G007	1
31	Sealing button		JD-PSE-G005	1
32	Cam unit		JD-PSE-G014	1
33	Spring cavity DB-021		JD-PSE-G010	1
34	Compression spring		JD-PSE-G020	1

Item	Part name	Specification	Material code	Qty.
35	Shaft		JD-PSE-G022	1
36	Cam driver		JD-PSE-G038	1
37	4*12.5 pin		JD-PSE-E022	1
38	Shaft pin		JD-PSE-G023	1
39	Sealing switch A		JD-PSE-E006	1
40	Curved umbrella tooth		JD-PSE-G029	1
41	Drag spring		JD-PSE-G017-2	1
42	Synchronous wheel A		JD-PSE-G034	1
43	Lower friction parts		JD-PSE-G013	1
44	Cutter		JD-PSE-G016	1
45	Bearing A 101712		JD-PSE-E014-1	1
46	Upper friction parts		JD-PSE-G008	1
47	Bearing B 606		JD-PSE-E011	2
48	Friciton part bracket		JD-PSE-G009	1
49	Eccentric shaft		JD-PSE-G024	1
50	Sealing motor		JDH-16-E03	1
51	Synchronous wheel B		JD-PSE-G035	1

**Adres** : Shuangchenglu 803nong11hao1602A-1609shi, baoshanqu, shanghai 200000 CN.

**Geïmporteerd naar AUS:** SIHAO PTY LTD, 1 ROKEVA  
STREETEASTWOOD NSW 2122 Australië

**Geïmporteerd naar de VS:** Sanven Technology Ltd., Suite 250, 9166  
Anaheim Place, Rancho Cucamonga, CA 91730

<b>EC</b>	<b>REP</b>
-----------	------------

E-CrossStu GmbH  
Mainzer Landstr.69, 60329 Frankfurt am Main.

<b>UK</b>	<b>REP</b>
-----------	------------

YH CONSULTING LIMITED.  
C/O YH Consulting Limited Office 147, Centurion House,  
London Road, Staines-upon-Thames, Surrey, TW18 4AX

# **VEVOR<sup>®</sup>**

**TOUGH TOOLS, HALF PRICE**

**Technische ondersteuning en e-garantiecertificaat**  
**[www.vevor.com/support](http://www.vevor.com/support)**

# **VEVOR<sup>®</sup>**

**TOUGH TOOLS, HALF PRICE**

Teknisk support och e-garanticertifikat

[www.vevor.com/support](http://www.vevor.com/support)

## **Bandning M achine**

**MODELL: DS-16**

We continue to be committed to provide you tools with competitive price.

"Save Half", "Half Price" or any other similar expressions used by us only represents an estimate of savings you might benefit from buying certain tools with us compared to the major top brands and does not necessarily mean to cover all categories of tools offered by us. You are kindly reminded to verify carefully when you are placing an order with us if you are actually saving half in comparison with the top major brands.

# VEVOR<sup>®</sup>

TOUGH TOOLS, HALF PRICE

## STRAPPING MACHINE

Modell: DS-16



### NEED HELP? CONTACT US!

Have product questions? Need technical support? Please feel free to contact us:

**Technical Support and E-Warranty Certificate**  
**[www.vevor.com/support](http://www.vevor.com/support)**

This is the original instruction, please read all manual instructions carefully before operating. VEVOR reserves a clear interpretation of our user manual. The appearance of the product shall be subject to the product you received. Please forgive us that we won't inform you again if there are any technology or software updates on our product.

## INSTRUCTIONS

Tack så mycket för att du valde denna Strapping M achine

- Läs igenom alla instruktioner innan du använder den. Informationen hjälper dig att uppnå bästa möjliga resultat.

Produkterna i denna katalog kan ha en annan färg än den faktiska varan .

### 1. Säkerhetsanvisningar

Korrekt utbildning krävs. Personal som inte är ordentligt utbildad får inte använda bandningsmaskinen. Felaktig användning kan leda till skador på utrustningen eller personskador.

#### 1.1 Batteridrift

\*Miljöskydd

Kasta inte det använda batteriet i hushållssoporna eller avloppsvattenhinken, snälla slå eller bränn inte det förbrukade batteriet.

\* Kortslutningsrisk

Förvara inte batterierna tillsammans med andra metallföremål. Ta inte isär batterierna själv och förvara dem i ett torrt och frosttåligt rum. Omgivningstemperaturen får inte vara högre än 50 grader.

Ladda inte använda batterier och byt ut dem mot nya när de är skadade eller oanvändbara.

#### 1.2 Risk för ögonskador

**Vänligen** använd ögonskydd för att förhindra skador på dina ögon när du använder denna produkt.

#### 1.3 Drift

Läs instruktionerna noggrant och träna ordentligt före användning. Personer som inte är ordentligt utbildade får inte använda balpressen, innan de spänns åt, om instruktionerna inte följs eller om bandet belastas orimligt kan leda till att bandet går sönder eller maskinfel. Lägg inte händerna på bindningsområdet, limningsområdet eller skärområdet förrän du är bekant med balpressen. Placera handen på bindningsområdet, limningsområdet och

fräs utskärning.

#### **1.4 Friktionssvetsområde**

Du bör kontrollera friktionssvetsområdets tillstånd och bekanta dig med kontroll och justering av friktionstiden och åtdragningstiden. Oregelbunden friktionstid kan resultera i dålig vidhäftning och leda till allvarliga skador, så vänligen skicka eller transportera inte lådor som inte har packats och hanterats ordentligt.

#### **1.5 Fördelning av packband**

Använd den specialdesignade bältesvagnen för att dispensera remmarna. När den inte används, fäst änden av remmarna i öppningen för fästansordningen.

#### **1.6 Remmar varning**

Använd inte remmar för att dra eller lyfta laster eftersom det kan leda till skador på föremål eller personskador.

#### **1.7 Risker för att bandet går sönder**

Felaktig drift; överdrivet åtdragen; att inte använda bandet som krävs kommer att leda till att spänningskraften tappas eller att bandet går sönder, vilket så småningom kan göra att lådan/lasterna skadas och föremålet går sönder, att operatören tappar balansen och faller, eller bandningsmaskinen och att bandet flyger snabbt in i operatörens ansikte tillsammans och orsakar skada



- \* Om lasten är packad med vassa kanter, lägg till kantskydd.
- \* Linda remmarna runt det lämpliga området som ska spännas fast.
- \* Operatören bör inte vara i samma raka position som bandningsmaskinen under åtdragning och friktion för att förhindra att balpressen och remmarna tippas över i operatörens ansikte. Och påminn eller be åskådare att hålla sig borta från arbetsområdet under drift. Använd även bandet med rekommenderad bredd och styrka, vilket kommer att bidra till att förbättra kvaliteten och effektiviteten på förpackningen, eftersom olämplig bandning kan göra att bandet går sönder eller att kartongen lossnar under transporten.

## 1.8 Klippband

När du skär av remmarna, använd lämpligt skärverktyg och håll ett säkert avstånd från människor, inte i samma linje som remmarna och bort från bandets lösa riktning. Använd de verktyg som är speciellt utformade för att skära remmar, inga hammare, tänger, yxor, bågfilare etc.

## 1.9 Halk- och fallrisk

Håll bandningsområdet rent och snyggt, eftersom stökiga arbetsytor kan orsaka olyckor och fall kan inträffa om du inte landar bra eller är obalanserad före spänningar, särskilt i små arbetsområden som trapphus. Försök att hålla balansen när du hanterar. Båda fötterna måste vara på ett plant och stadigt underlag samtidigt. Använd inte enheten när du mår dåligt eller i ett svårt fysiskt tillstånd.

Observera de försiktighetsåtgärder som nämns specifikt för arbetsområdet.

## 1.10 Faror med balpressen

- \* Bra underhåll av balpressen är mycket nödvändigt.
- \* Kontrollera balpressens delar regelbundet, om det finns slitage eller skador, fortsätt inte att använda balpressen förrän delarna har bytts ut.
- \* Använd inte balpressen utan remmarna
- \* Modifiera inte balpressen eftersom detta kan orsaka personskada.

# 2. Tekniska parametrar

## 2.1 Beskrivning av batteribandningsverktyget

DS-16 batteribandningsverktyg kommer med en perfekt tätningsprestanda. Det kan få användare att njuta av ett effektivt sätt att banda. DS-16 har sin maximala spänningskraft på 2500N och 9 grader kan justeras med digital displayfunktion. Den drivs av ett högkapacitets 6000 mah litiumbatteri, vilket gör att den fungerar 600 cykler per full laddning. En av de viktigaste försäljningsargumenten är att den är ekonomisk jämfört med de liknande på marknaden. Det är en bra produkt för återförsäljare att utforska och förstå marknaden DS-16 är ett så kraftfullt verktyg och kan användas flitigt i de flesta branscher.

## 2.2 Balpressens mått

Längd: 3 6 0MM

Bredd: 13 0 MM

Höjd: 1 4 0MM

## 2.3 Bandmaterial

Remmaterial: PET (polyester) och PP (polypropen) tejp med en plan ellerpräglad yta.

Bandspecifikationer: bredd 9-16MM, tjocklek 0,4 -1,2MM .

Vänligen välj remmarna i lämplig storlek beroende på vilken balpress du köper.

## 2.4 Remmarnas styrka

Sträckkraft: justerbar från 60 0 till 32 00 N, maximalt värde bestäms av materialet i banden.

Bandmatning i hastighet: 50-150MM/S. Friktionshållfasthet: ca. 75 % av remmarnas styrka.

## 2.5 Arbetsmiljö

Omgivningstemperaturen för drift är 5-45°C, med en optimal arbetstemperatur på 15-25°C.

Använd eller förvara försiktigt för att skydda mot vatten och fukt.

# 3. Tillbehör



■ Obs: Använd de tillbehör eller tillbehör som nämns i manualen, användning av andra tillbehör kan orsaka skador på utrustningen eller kan orsaka personskador.

## 3.1 Uppladdningsbar bärbar balpress

Eftersom balpressen använder nickel-kadmium (Nicc) nickel-metallhydrid (NiMH) batterier, vänligen köp batterierna separat enligt följande parametrar.

Typ: Litiumbatteri

Spänning: 18V

Kapacitet: 5000MAH

### 3.2 Batteriladdare

Direktladdning (tillval)

Laddarens inspänning: AC100-240V

Utspänning: 21V, 2,5A

Laddningstid: ca 90 minuter.

## 4. Operationer

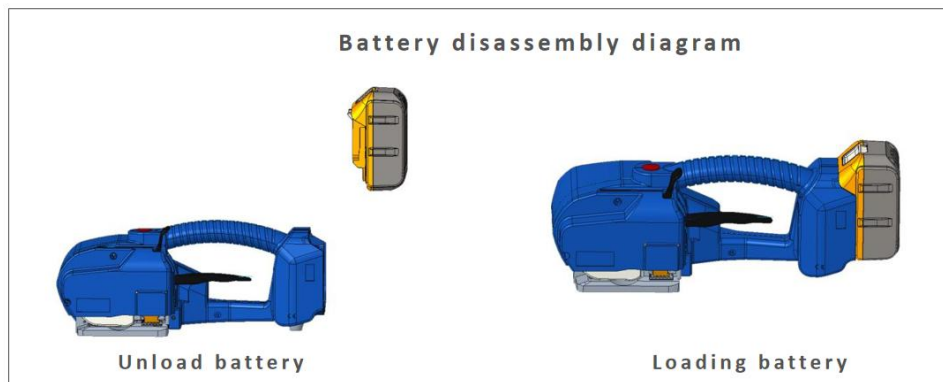
### 4.1 Batteriinstallation

\* Lämna inte balpressens batterier i regn eller vatten.

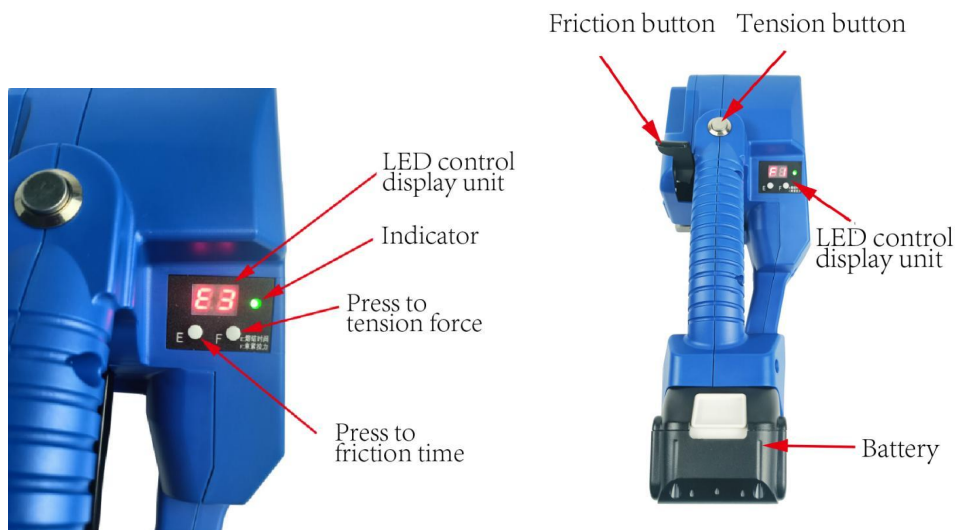
\* Av säkerhetsskäl levereras batteriet oladdat och separerat från enheten, följ instruktionerna för montering.

\* Ta bort batteriet genom att trycka på batteriet Clip Snap med tummen och dra ut det uppåt eller genom att släppa Clip Snap efter att ha laddat batteriet.

\* Indikatorlampan lyser rött när batterinivån är låg, indikatorlampan är röd vid laddning och laddningsindikatorlampan är grön när laddningen är klar.



### 4.2 Manöverelement



### 4.3 Semi-autoläge och autoläge

L-16 har 2 spänningslägen: ett tryck för att späanna och tryck på knappen kontinuerligt för att späanna. Hur gör man lägeskonvertering? Tryck bara på spänningsknappen och lyft handtaget på en gång och när indikatorn blinkar växelvis är lägesomvandlingen klar.



### 4.4 Balpressoperationer

**\*Halvautomatiskt spänningsläge (tryck på knappen kontinuerligt för att spänningen)**

**Steg 1 Linda och stapla remmarna**

Linda in remmarna på det sätt som visas och låt inte remmarna bli blöta med olja eller annat skräp när som helst.



**Steg 2 för in remmarna i balpressen**

Vid insättning av remmarna måste remmarna i spänningsriktningen staplas i den övre änden, bottenremmen ska sträckas till botten av matningshjulet för att täcka framsidan av tandplattan 5-10MM längre, när remmarna sätts in ,lyft handtaget med höger hand, sätt in remmarna med vänster hand, de övre och nedre ändarna av remmarna måste staplas parallellt med varandra efter att lyfthandtaget har släppts.



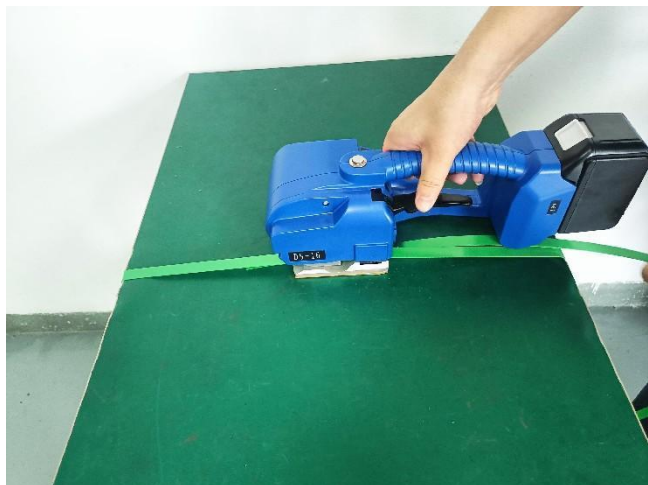
### Steg 3 Dra åt eller mata in remmarna

När du trycker på spänningsknappen och släpper den kommer balpressen att ge dig den förinställda åtdragningstiden. När tätheten inte räcker till eller är för snäv är det bara att öka eller minska spänningsgraden på lämpligt sätt tills det är lämpligt. När du drar åt, håll pressen i rörelse parallellt och pressens framåtriktning fri från diverse.



### Steg 4 Svetsa remmarna

Efter att ha tryckt på friktionsknappen förseglar och klipper balpressen automatiskt remmarna (tiden är förinställd av systemet och kan ökas eller minskas, justera friktionstidsgraden).



### Steg 5 Flytta bort balpressen

När limningen är klar lyfter du handtaget och matarhjulet körs omvänt för att lossa remmarna i enlighet med detta och flytta sedan bort balpressen.



\*En knapptryckning till spänningsläge

### Steg 1 Linda och stapla remmarna

Linda in remmarna på det sätt som visas och låt inte remmarna bli blöta med olja eller annat skräp när som helst.



### Steg 2 för in remmarna i balpressen

Vid insättning av remmarna måste remmarna i spänningsriktningen staplas i den övre änden, bottenremmen ska sträckas till botten av matningshjulet för att täcka framsidan av tandplattan 5-10MM längre, när remmarna sätts in ,lyft handtaget med höger hand, sätt in remmarna med vänster hand, de övre och nedre ändarna av remmarna måste staplas parallellt med varandra efter att lyfthandtaget har släppts.



### Steg 3 Dra åt remmarna

När du trycker på spänningsknappen och släpper den kommer balpressen att spämma remmarna automatiskt.



#### Steg 4 Svetsa remmarna

Efter att ha tryckt på friktionsknappen förseglar och klipper balpressen automatiskt remmarna (tiden är förinställd av systemet och kan ökas eller minskas, justera friktionstidsgraden).

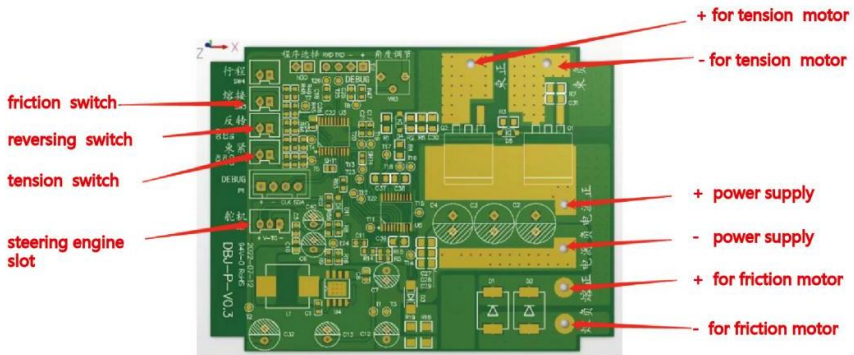


#### Steg 5 Flytta bort balpressen

När limningen är klar lyfter du handtaget och matarhjulet körs omvänt för att lossa remmarna i enlighet med detta och flytta sedan bort balpressen.



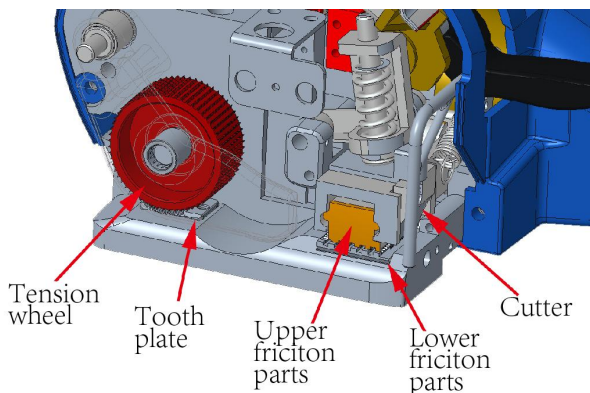
## 5. Elektriska anslutningar



## 6. Byte av slitdelar och justering av limningstillstånd

- Obs: Koppla ur strömbrytaren och ta ur batterierna före varje service.

### 6.1 Byte av slitdelar



**Kutter (JD-PSE-G016):** Lossa först skruven på den vänstra täckplåten (JD-L16-G01) och ta bort den, ta sedan bort skruven på fräsen och ta bort fräsen för byte. Efter att du har installerat kniven, installera den i omvänd ordning.

**Nedre tandplatta (JD-PSE-G011):** Ta först bort skruvarna som fäster tandplattan och ta bort den, sätt sedan tillbaka den utskjutna tandplattan. Efter byte, montera den i omvänd ordning.

**Spännhjul (JD-PSE-G012):** vänligen ta bort den vänstra täckplattan enligt beskrivningen ovan, ta bort muttern som är fäst på anslutningsaxeln (JD-L16-G021), ta bort spännhjulsåpan (JD-L16-G007), byt ut spärrhjulet och sätt tillbaka det i omvänd ordning.

**Nedre friktionsdel (JD-PSE-G013):** Lossa först och ta bort de huvudlösa skruvarna som är fästa på axeln på den nedre friktionsdelen, tryck ut den nedre friktionsdelen från botten för byte och sätt sedan tillbaka den i omvänd ordning.

## 6.2 Åtdragnings-, limnings- och skärjusteringar

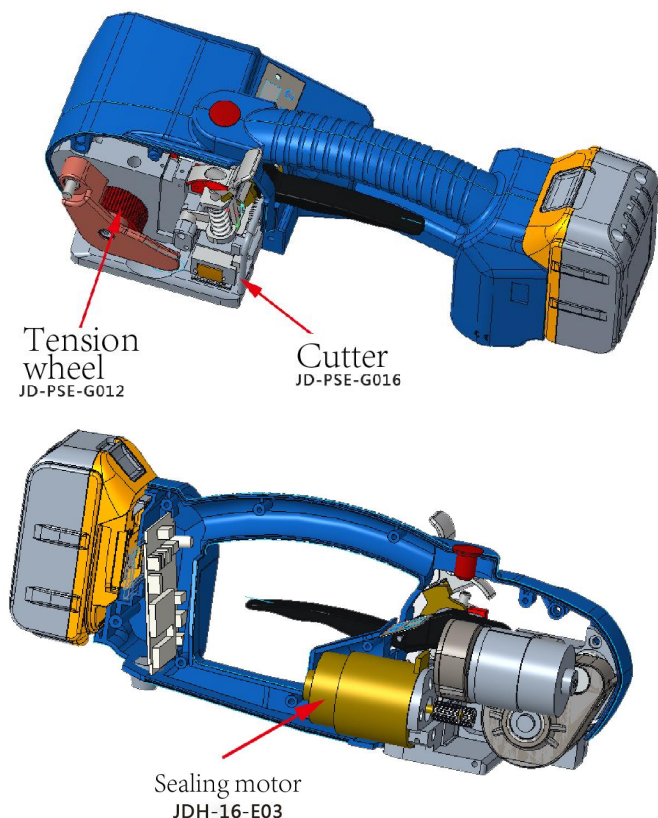
①. Om åtdragningen slirar lossar du skruvarna på tandplattan och installerar tandplattans packning (JD-PSE-G028) för att höja tandplattan eller byta ut tandplattan.

②. När du använder olika packningsband med en tjocklek på 0,4-1,2MM, justera i tid gapet mellan den övre friktionsdelen (JD-PSE-G008) och den nedre friktionsdelen, annars uppstår dålig svetsning. Vid justering av spelet

mellan den övre och nedre friktionsdelen, ta först bort den vänstra täckplåten, lossa sedan knappen för att ta bort tätning (JD-PSE-G005), fixera den nedre kompressionsaxeln på bindningsplattan (JD-PSE-G022) med en slitsad skruvmejsel och vrid sedan muttern på anslutningsaxeln medurs eller moturs. Vid rotation medurs blir spelet mellan den övre och nedre friktionsdelen större, och vid rotation moturs blir spelet mindre.

③. Vidhäftningstiden och åtdragningskraften justeras genom de digitala displayfönstren E och F på höger lucka. Knapp E justerar smälttiden och tangent F justerar åtdragningskraften och ökar från grad 1 till grad 9.

④. Se följande tabell för utbyte av slitdelar och justering av limning och svetsstid (effekt).



## Diagram över svets- och bindningseffekt



Perfect friction time



Friction time is too short

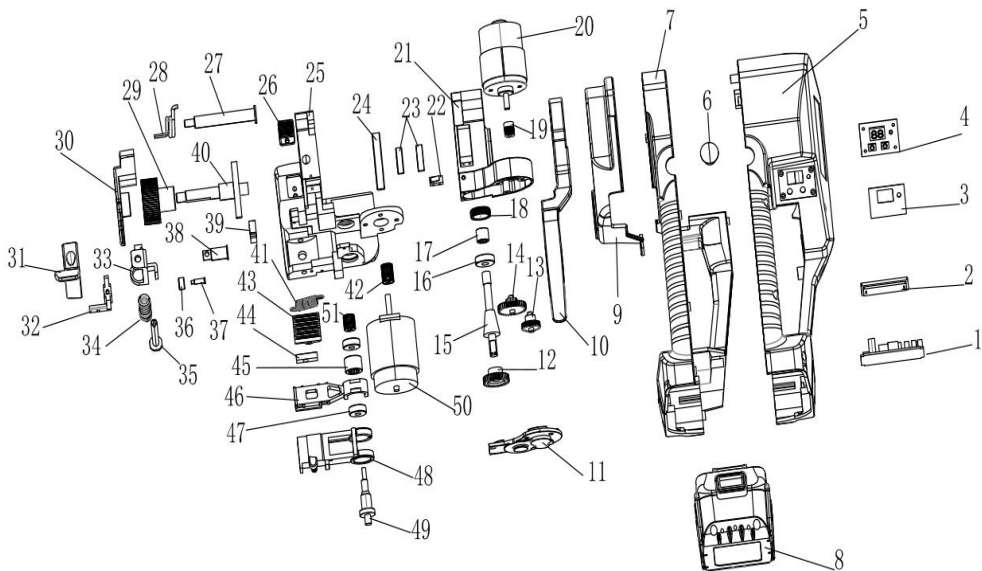


Friction time is too long

## 7. Vanliga elektriska fel

Under användningen fastnade plötsligt balpressverkyget och LED-lampan lyser rött när balbandet som fastnat i maskinen inte kan tas ut. Stäng omedelbart av strömmen, klipp av remmarna för att ta bort remmarna som fastnat i verktyget, ladda omedelbart batteriet eller byt ut batteriet. När du bekräftar att batteriet har ström och att felet inte har åtgärdats måste du ta bort de vänstra och högra plastkåporna efter att du tagit bort batteriet för att kontrollera verktyget, till exempel kontrollera strömbrytarna eller kablarna på varje strömbrytare eller på motorer inte har fallit av, eller byt ut mikrobrytaren eller byt ut friktionstättningsmotorn.

## 15. Produktens sprängskiss och reservdelslista



Item	Part name	Specification	Material code	Qty.
1	PCB		JD-A16-E019	1
2	Battery adapter slot		JD-L16-G06	1
3	PVC sticker		JD-L16-G07	1
4	LED display unit		JD-L16-G05	1
5	Right house		JD-L16-G03	1
6	Tension button	OD16	JD-PSE-E039	1
7	Left house		JD-L16-G02	1
8	Battery	18V, 5.0A	JD-PSE-E051	1
9	Left side cover		JD-L16-G01	1
10	Lift		JD-L16-G004	1
11	Reducer cover plate		JD-L16-G003	1
12	Connect-gear for worm		JD-PSE-G033	1
13	Variable speed gear D		JD-L16-G036	1
14	Double gear		JD-PSE-G031	1
15	Worm gear		JD-PSE-G030	1
16	Bearing 607		JD-PSE-E012	1
17	Bearing BK0810		JD-PSE-E015	1

Item	Part name	Specification	Material code	Qty.
18	Gear box tooth sleeve		JD-L16-04	1
19	gear B		JD-PSE-G032	1
20	Tension motor		JD-L16-E01	1
21	Reduction gear box		JD-L16-G002	1
22	Switch B		JD-PSE-E007	1
23	Ball bearing A 6900		JD-PSE-E010	2
24	Reducer cover		JD-PSE-G015	1
25	Body		JD-L16-G001	1
26	Tooth plate		JD-PSE-G011	1
27	M6 boss pivot pin		JD-L16-G021	1
28	Reset torsion spring		JD-PSE-G019	1
29	Tension wheel DB-009		JD-PSE-G012	1
30	Tension wheel cover		JD-L16-G007	1
31	Sealing button		JD-PSE-G005	1
32	Cam unit		JD-PSE-G014	1
33	Spring cavity DB-021		JD-PSE-G010	1
34	Compression spring		JD-PSE-G020	1

Item	Part name	Specification	Material code	Qty.
35	Shaft		JD-PSE-G022	1
36	Cam driver		JD-PSE-G038	1
37	4*12.5 pin		JD-PSE-E022	1
38	Shaft pin		JD-PSE-G023	1
39	Sealing switch A		JD-PSE-E006	1
40	Curved umbrella tooth		JD-PSE-G029	1
41	Drag spring		JD-PSE-G017-2	1
42	Synchronous wheel A		JD-PSE-G034	1
43	Lower friction parts		JD-PSE-G013	1
44	Cutter		JD-PSE-G016	1
45	Bearing A 101712		JD-PSE-E014-1	1
46	Upper friction parts		JD-PSE-G008	1
47	Bearing B 606		JD-PSE-E011	2
48	Friciton part bracket		JD-PSE-G009	1
49	Eccentric shaft		JD-PSE-G024	1
50	Sealing motor		JDH-16-E03	1
51	Synchronous wheel B		JD-PSE-G035	1

**Address :** Shuangchenglu 803nong11hao1602A-1609shi, baoshanqu, shanghai 200000 CN.

**Importerad till AUS:** SIHAO PTY LTD, 1 ROKEVA STREETEASTWOOD NSW 2122 Australien

**Importerad till USA:** Sanven Technology Ltd., Suite 250, 9166 Anaheim Place, Rancho Cucamonga, CA 91730

<b>EC</b>	<b>REP</b>
-----------	------------

E-CrossStu GmbH  
Mainzer Landstr.69, 60329 Frankfurt am Main.

<b>UK</b>	<b>REP</b>
-----------	------------

YH CONSULTING LIMITED.  
C/O YH Consulting Limited Office 147, Centurion House,  
London Road. Staines-upon-Thames. Surrey. TW18 4AX

# **VEVOR<sup>®</sup>**

**TOUGH TOOLS, HALF PRICE**

**Teknisk support och e-garanticertifikat**  
[www.vevor.com/support](http://www.vevor.com/support)

