



VISION *X*10™

User Manual



Copyright

Copyright 2026 Vexilar Inc. All rights reserved. No part of this publication may be reproduced, transmitted, transcribed, stored in a retrieval system or translated into any language or computer language, in any form or by any means—electronic, mechanical, magnetic, optical, chemical, manual or otherwise—without the prior written permission of Vexilar Inc.

All other logos, products, or company names mentioned in this *User Manual* may be the registered trademarks or copyrights of their respective companies and are used for informational purposes only.

Disclaimer

Vexilar Inc. makes no representations or warranties, either expressed or implied, with respect to the content in this publication and specifically disclaims any warranties, merchantability, or fitness for any particular purpose.

Further, Vexilar Inc. reserves the right to revise this publication and to make changes from time to time in its content without the obligation to notify any person of such revision or changes.

This *User Manual* aims to provide the most updated and accurate information to customers, and thus all content may be modified from time to time without prior notice.

Table of Contents

Chapter 1 Introduction	1
Basic Concept.....	1
About this User Manual.....	1
Contact Us.....	2
Chapter 2 Get Started	3
Package Content.....	3
Overview.....	4
Insert a microSD Card.....	5
Mount the Head Unit.....	6
Connect the Head Unit to Power.....	6
Chapter 3 Use the Head Unit	7
Turn On/Off the Head Unit.....	7
Identify the Main Screen Layout.....	7
Set the Language.....	9
Set the Time.....	9
Set Up the Wi-Fi Network.....	10
Cast the Screen to a Remote Display.....	10
Chapter 4 Appendixes	11
Appendix A: Specifications.....	11
Appendix B: FCC Statement.....	12
Appendix C: ISED Statement.....	13

1 Introduction

The VEXILAR® VISION X10 Fish Finder is a 10.1-inch sonar unit designed to support both open-water and ice-fishing operations, integrating multi-frequency sonar, wireless accessory connectivity, GPS positioning, and real-time imaging functions to enhance target detection accuracy and overall unit usability.



CAUTION

All route and navigation lines shown on the screen provide only general guidance and are not intended for precise navigation. Operators must rely on official nav aids, waterway conditions, and sound seamanship to avoid hazards, damage, or injury. This is a supplemental aid only and must not be used as the sole means of navigation; users are responsible for employing multiple navigational methods to ensure safe operation.

Basic Concept

Acquaint yourself with the basic operating concepts before using the sonar unit to improve overall fishing performance.

Range Control

Depth Range determines the maximum depth at which the unit can detect and display the bottom. Select the shallowest range that still shows the bottom to maximize screen resolution and improve target visibility.

Gain Control

Gain adjusts the amplification of return sonar signals. Higher gain increases visible information; lower gain reduces unwanted clutter. Set gain as low as possible while still showing useful detail. Increasing gain expands the effective detection area but may reduce clarity in cluttered environments.

Interference Rejection

Interference Rejection filters out sonar noise from nearby depth sounders. Enable this feature when operating near other sonar systems or when excessive random signal flashes appear on the display.

About this User Manual

Information contained in this manual is correct at the time of release and subject to change without notice. Visit us to download the latest version of this manual: www.vexilar.com.

- Screen images and icons in this manual are simulated for illustrative purposes only. Actual displays may vary.

- In this *User Manual*, the following graphic symbols and texts are used to alert you to important information. Make sure you have read all the notes, cautions, and warnings mentioned in this user manual.

**NOTE**

Useful tips or additional information that help you get better use of this device.

**CAUTION**

Notices describing actions or conditions that may damage your product and consequently void your warranty or lose the unit data.

**WARNING**

Instructions that must be followed. Failure to observe them can cause damage to your product or result in personal injuries.

Contact Us

For product support and service information, visit www.vexilar.com.

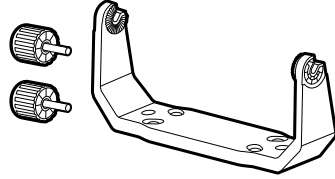
2 Get Started

Package Content

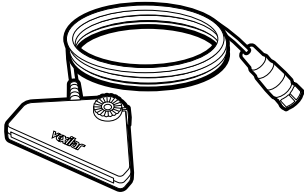
Check the sales package for the following items. If any item is missing or damaged, contact your place of purchase immediately.



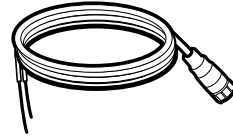
Head unit
(with protective cover)



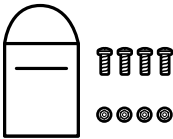
Unit stand
(with 2 gimbal knobs)



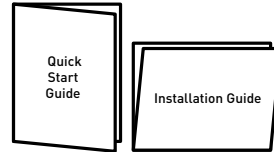
Transducer
(with sonar connector)



Power cable
(with connector and leads)



Mounting hardware
(4 bolts & 4 nuts)



User documentation

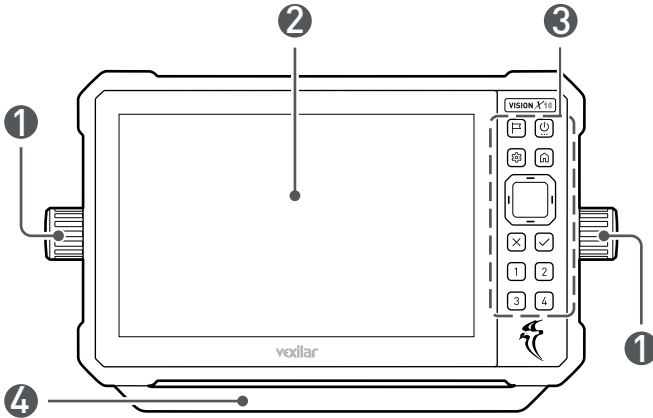


NOTE

For transducer mounting accessories, visit www.vexilar.com.

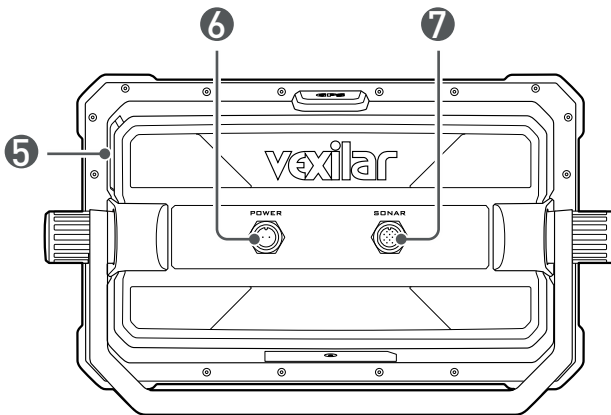
Overview

Front View



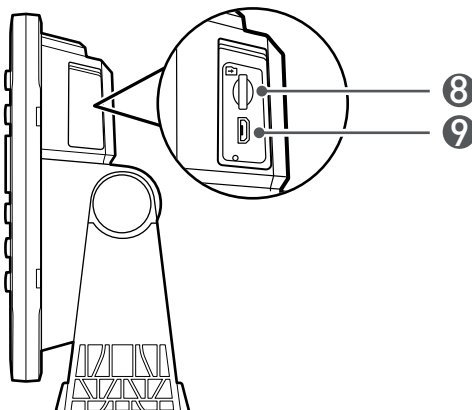
No.	Item
1	Gimbal knobs
2	Touch panel
3	Control keys (see page 5)
4	Unit stand

Rear View



No.	Item
5	I/O compartment (see Side View)
6	Power cable connector
7	Sonar transducer connector

Side View



No.	Item
8	MicroSD card slot (see page 5)
9	MicroUSB port (for service only)

Control Keys



Waypoint

Press to add a waypoint at the current location.



Power/Menu

- Press and hold to turn on or off the unit (see [page 7](#)).
- Press to open or close the Quick Setup menu (see [page 9](#)).
- When in standby mode, press to exit standby and return to the previous active state.



Settings

Press to open or close the Settings menu from the side, if available.



Home

Press to return to the Home screen from any operation.



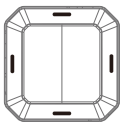
Exit

Press to close the Settings menu or the Unit Tools page.



Enter

Press to confirm selection.



Navigation

Press to move through menu items.



Shortcut

Assign a function to each of these keys for use as a shortcut.

Insert a microSD Card

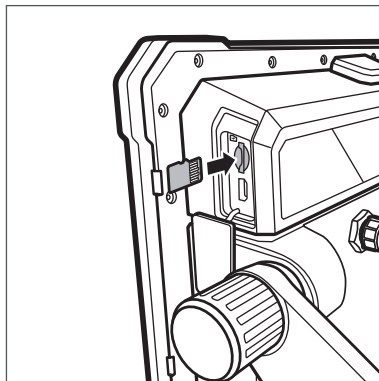
Use the microSD card to transfer data between units or to a computer, such as recording tracks and screenshots. The microSD card must be formatted as FAT32 or exFAT.



NOTE

- Supported microSD card format: SD/SDHC/SDXC.
- The microSD card is not supplied with the product.


Fully insert the microSD card into the card slot until it clicks into place.



NOTE

To format the microSD card from the unit, on the Home screen, touch **SYSTEM SETTINGS > SETUP > FORMAT SD CARD**. This action is irreversible. Consider backing up the data to an external storage device first.


Mount the Head Unit


-  **CAUTION**
Mount the unit on a flat surface. Allow enough clearance to tilt the unit freely while cables are connected.

Refer to the *Installation Guide* for detailed instructions.

Connect the Head Unit to Power

Power your unit using a 12-volt source by connecting it directly to a battery or tapping into your boat's electrical system.

-  **NOTE**
Connect the unit to the main starting battery when possible. Do not use a trolling motor battery.

-  **CAUTION**
- Route the power cable away from sharp metal edges, or add protective covering where needed.
 - Install circuit protection (1 A fuse or circuit breaker) in the positive line near the power source to protect the wiring.

To connect the unit to power:

-  **WARNING**
Do not turn on the power until the connection is securely made.

1. Route the power cable from the unit location to the power source.
2. Insert the power connector to the unit's power jack.
3. Connect the red lead to the positive (+) power source terminal and the black lead to the negative (-) terminal.

-  **NOTE**
Refer to your shuttle or boat manual for specific installation instructions.

3 Use the Head Unit

Turn On/Off the Head Unit

- Press and hold the Power/Menu key to turn on the unit. The unit enters the Home screen after startup.
- Press and hold the Power/Menu key until the Power options appears on the screen, then touch **Power off** to turn off the unit.

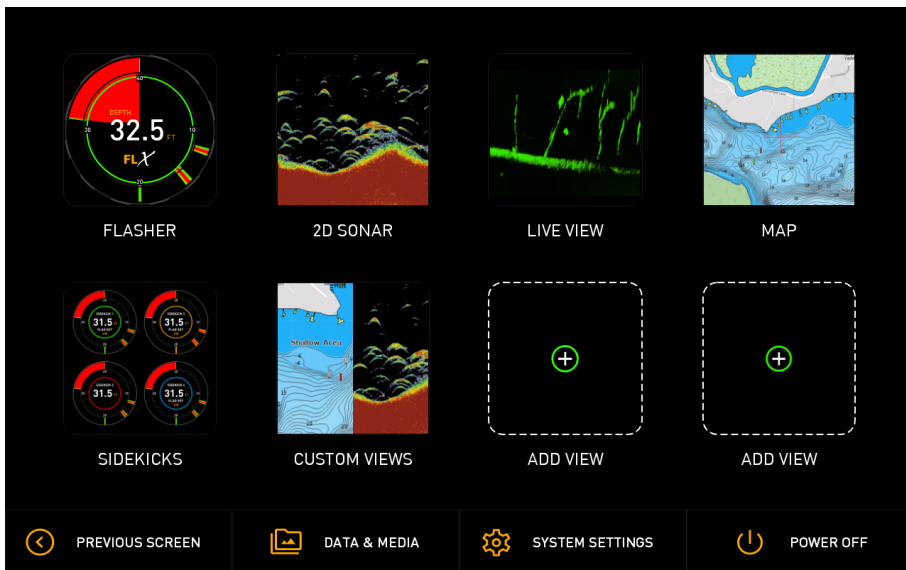
 **NOTE**

If the unit does not respond to any operations, press and hold the Power/Menu key until the unit is turned off forcefully.



Identify the Main Screen Layout

Home Screen

The unit enters the Home screen after startup and can be accessed from any operation by pressing the Home key. The Home screen consists of main applications and a toolbar at the bottom.



Application

Touch a button to enter the application in full screen. To configure settings available in the application, touch  to open the settings menu from the side. To exit from the application, touch .


Item	Description
FLASHER	A real-time circular display that shows depth, fish, and bottom changes instantly.
2D SONAR	A traditional sonar view that displays fish arches, structure, and bottom contour.
LIVE VIEW	A forward- and downward-facing sonar that shows fish and movement in real time as it happens.
MAP	A GPS-based chart view that helps you navigate, mark waypoints, and track your fishing spots.
SIDEKICKS	Connects and uses accessories like wireless transducers to expand how and where you fish.
CUSTOM VIEWS	User-configurable screen layouts that let you combine and arrange features to match your fishing style.
ADD VIEW	Creates extra custom views on the Home screen for quick access to your favorite setups.

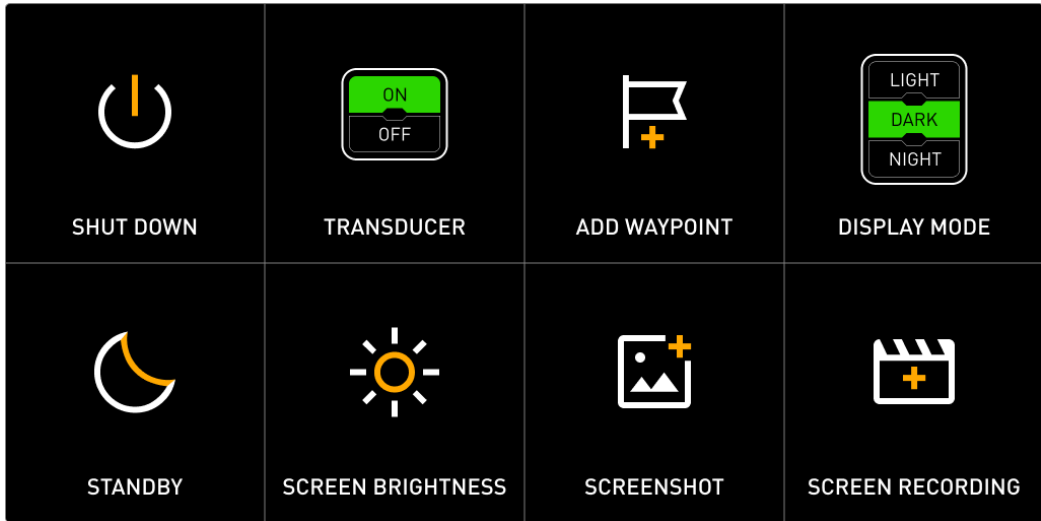
Toolbar

Touch a button to perform its function. To exit settings, touch .

Item	Description
PREVIOUS SCREEN	Returns to the previous screen.
DATA & MEDIA	Manages all the images and videos.
SYSTEM SETTINGS	<ul style="list-style-type: none">• Customizes the unit based on your preferences.• Sets up basic tools such as language, time and time zone, and Wi-Fi.
POWER OFF	Turns off the unit.

Quick Setup Menu

Press the Power/Menu  key to open the Quick Setup menu. Touch an option to perform its function.



Function	Description
SHUT DOWN	Turns off the unit.
TRANSDUCER	Switches the transducer on or off.
ADD WAYPOINT	Adds a waypoint to the current location.
DISPLAY MODE	Selects a preferred theme for the unit display.
STANDBY	Switches the unit to standby mode.
SCREEN BRIGHTNESS	Adjusts the screen brightness.
SCREENSHOT	Takes a screenshot of the current screen.
SCREEN RECORDING	Records the current route.

Set the Language

To set the unit language you are using, on the Home screen, touch **SYSTEM SETTINGS > SETUP**, and select an option from the **LANGUAGE** drop-down menu.

Set the Time

The unit time is set to use the network as the time source by default. To set the unit time manually, follow the steps below:

1. On the Home screen, touch **SYSTEM SETTINGS > SETUP**.
2. **CLOCK SETUP**: Touch **MANUAL**. Scroll to select the hours, minutes, and time notation, then touch **SET TIME** to confirm selection.
3. **TIME ZONE**: Select an option from the drop-down menu to set the time zone you are in.

4. **DAYLIGHT SAVINGS:** Touch to switch the daylight saving time on or off.

Set Up the Wi-Fi Network

To use wireless accessories, configure the Wi-Fi settings.

1. On the Home screen, touch **SYSTEM SETTINGS > SETUP > Wi-Fi SETTINGS**.
2. Switch on Wi-Fi to display the list of available networks. Select an access point, enter the password, and touch **CONNECT**.
3. Once connected successfully, “**Connected**” appears under the network name to indicate the connection status.

Cast the Screen to a Remote Display

Mirror the unit screen to a network-enabled display remotely.

1. On the Home screen, touch **SYSTEM SETTINGS > SETUP > CAST DISPLAY**.
2. A list of available wireless display devices appears by default. Touch the device you want to connect to.
3. On the display device, follow the onscreen instructions to grant permission for the connection to and from the unit.
4. Once connected successfully, the device name on the unit screen displays “**Connected**”. The content shown on the unit screen is automatically mirrored to the display device.

4 Appendixes

Appendix A: Specifications



NOTE

Specifications are subject to change without notice.

Head Unit

Item		Specification
Display	Dimension	10.1" Touchscreen
	Resolution	1080 x 800
	Viewing angles in degrees	80° top / bottom / left / right
	Brightness	1000 nit (typ.)
Physical	Dimensions	311 mm x 193.3 mm x 78.9 mm
	Weight	3.5 lbs / 1.7 kg
	Mounting type	Bracket mount
	Keypad	13 physical keys
Electrical	Supply voltage	12 VDC (10–19 VDC)
	Power consumption (max)	15.24 W (at 12 VDC)
Environmental	Operating temperature range	-20°C to 55°C (4°F to 131°F)
	Storage temperature	-30°C to 70°C (-22°F to 158°F)
	Waterproof rating	IPX7 with card door closed
Interface/ connectivity	Sonar	1 port
	Power	1 port
	Card reader	1 MicroSD slot
Communication interface	Positioning	GPS
	Wi-Fi	Wi-Fi 5
	Bluetooth	Bluetooth 5.1

Transducer

Item	Specification
Operation frequency	425–1100 kHz
Operation temperature	0°C to 40°C (32°F to 104°F)
Waterproof rating	IPX7
Cable length	4.5 m
Cable pin number	12 pin
Beam width	36° x 20°
Dimensions	119.27 mm x 151.08 mm x 20.7 mm
Weight	<1.43 lb / 650 g

Appendix B: FCC Statement

Federal Communications Commission (FCC) Compliance

This device complies with part 15 of the FCC Rules. Operation is subject to the following two conditions: (1) this device may not cause harmful interference, and (2) this device must accept any interference received, including interference that may cause undesired operation.

This equipment has been tested and found to comply with the limits for a Class B digital device, pursuant to part 15 of the FCC rules. These limits are designed to provide reasonable protection against harmful interference in a residential installation. This equipment generates, uses, and can radiate radio frequency energy and may cause harmful interference to radio communications if not installed and used in accordance with the instructions. However, there is no guarantee that interference will not occur in a particular installation. If this equipment does cause harmful interference to radio or television reception, which can be determined by turning the equipment off and on, the user is encouraged to try to correct the interference by one of the following measures:

- Reorient or relocate the receiving antenna.
- Increase the separation between the equipment and the receiver.
- Connect the equipment into an outlet on a circuit different from that to which the receiver is connected.
- Consult the dealer or an experienced radio/TV technician for help.



CAUTION

Changes or modifications not expressly approved by the party responsible for compliance could void the user's authority to operate the equipment.

Appendix C: ISED Statement

Innovation, Science and Economic Development Canada Compliance

This device contains licence-exempt transmitter(s)/receiver(s) that comply with Innovation, Science and Economic Development Canada's licence-exempt RSS(s). Operation is subject to the following two conditions: (1) this device may not cause interference, and (2) this device must accept any interference, including interference that may cause undesired operation of the device.

L'émetteur/récepteur exempt de licence contenu dans le présent appareil est conforme aux CNR d'Innovation, Sciences et Développement économique Canada applicables aux appareils radio exempts de licence. L'exploitation est autorisée aux deux conditions suivantes : (1) l'appareil ne doit pas produire de brouillage ; (2) l'appareil doit accepter tout brouillage radioélectrique subi, même si le brouillage est susceptible d'en compromettre le fonctionnement.

Specific Restrictions for 5 GHz Band (Canada)

The device for operation in the band 5150–5250 MHz is only for indoor use to reduce the potential for harmful interference to co-channel mobile satellite systems.

Les dispositifs fonctionnant dans la bande de 5 150 à 5 250 MHz sont réservés uniquement pour une utilisation à l'intérieur afin de réduire les risques de brouillage préjudiciable aux systèmes de satellites mobiles utilisant les mêmes canaux.

GNSS / GPS Receiver Notice

The navigation device may experience degraded performance if it is used in proximity to any device that uses a terrestrial broadband network operating close to the frequencies used by any Global Navigation Satellite System (GNSS), such as the Global Positioning Service (GPS). Use of such devices may impair reception of GNSS signals.

Radio Frequency Radiation Exposure

This device is a mobile transmitter and receiver that uses an internal antenna to send and receive low levels of radio frequency (RF) energy for data communications. The device emits RF energy below the published limits when operating in its maximum output power mode and when used with authorized accessories. To comply with FCC and ISED RF exposure compliance requirements, this equipment should be installed and operated with a minimum distance of 20 cm (7.87 in.) between the radiator and your body. This transmitter must not be co-located or operating in conjunction with any other antenna or transmitter.

Cet équipement est conforme aux limites d'exposition aux rayonnements de la FCC et d'ISDE établies pour un environnement non contrôlé. Cet équipement doit être installé et utilisé avec un minimum de 20 cm de distance entre la source de rayonnement et votre corps. Cet émetteur ne doit pas être co-localisé ou fonctionner en conjonction avec une autre antenne ou un autre émetteur.



Regulatory 01, 2026/03/03

© 2026 Vexilar, Inc. All rights reserved.

#02