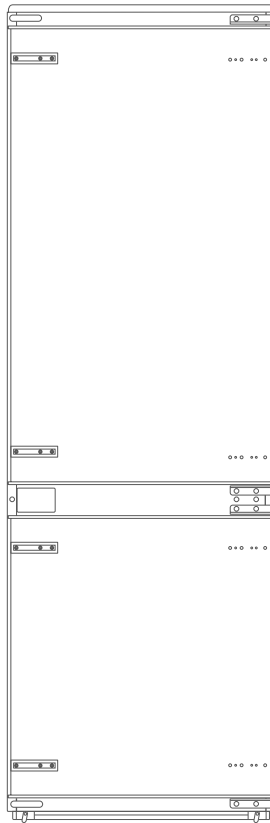


Instruction manual

■ Built-in Fridge-Freezer HUS403INMB.1



To ensure safe operation, please read this instruction manual thoroughly before use.

Please retain for future reference.

Husky reserve the right due to possible changes to design to alter the instruction manual without notice.





Contents

Important safety instructions	2
Environmental protection	5
Install Instruction.....	6
Installation in cabinet	7
Doors reversal.....	10
Changing the light.....	12
Moving the appliance	12
Tips for energy saving.....	12
Product overview	13
Parts and functions	13
Operation Instructions	14
Use and functions.....	14
Storing food.....	17
Maintenance and cleaning.....	18
Troubleshooting	20
Appendix	22
Special for new European standard.....	22

Before switching on the appliance for the first time read the following safety hints!

- > This appliance is intended to be used in household and similar applications such as staff kitchen areas in shops, offices and other working environments; farm houses and by clients in hotels, motels and other residential type environments; bed and breakfast type environments; catering and similar non-retail applications.
- > This appliance is not intended for use by persons (including children) with reduced physical, sensory or mental capabilities, or lack of experience and knowledge, unless they have been given supervision or instruction concerning use of the appliance by a person responsible for their safety.

Explanation of terms/symbols

	DANGER This symbol indicates that there are dangers to the life and health of persons due to extremely flammable gas.
	WARNING The signal word indicates a hazard with a medium level of risk which, if not avoided, may result in death or serious injury.
	CAUTION The signal word indicates a hazard with a low degree of risk which, if not avoided, may result in minor or moderate injury.
	ATTENTION The signal word indicates important information (e.g. damage to property), but not danger.

IMPORTANT: Pay particular attention to messages that contain the words **DANGER**, **WARNING** or **CAUTION**. These words are used to alert you to a potential hazard that can seriously injure you and others.

The instructions will tell you how to reduce the chance of injury and let you know what can happen if the instructions are not followed.

ATTENTION: These operating instructions are general. This means that certain functions apply to your refrigerator/freezer, while others do not.

We are constantly working on the further development and improvement of our appliance types and models. Therefore, we reserve the right to make changes to the design, equipment and accessories of all types and models without prior notice.

IMPORTANT SAFETY INSTRUCTIONS

READ AND SAVE THESE INSTRUCTIONS!



WARNING: Risk of fire / flammable material

Refrigerant and cyclopentane foaming material used for the appliance are flammable. Therefore, when the appliance is scrapped, it shall be kept away from any fire source and be recovered by a special recovering company with corresponding qualification other than be disposed by combustion, so as to prevent damage to the environment or any other harm



WARNING

General Safety

- > Children should be supervised to ensure that they do not play with the appliance.
- > If the supply cord is damaged, it must be replaced by the manufacturer, its service agent or similarly qualified persons in order to avoid a hazard.
- > Do not store explosive substances such as aerosol cans with a flammable propellant in this appliance.
- > The appliance has to be unplugged after use and before carrying out user maintenance on the appliance.
- > **WARNING:** Keep ventilation openings, in the appliance enclosure or in the built-in structure, clear of obstruction.
- > **WARNING:** Do not use mechanical devices or other means to accelerate the defrosting process, other than those recommended by the manufacturer.
- > **WARNING:** Do not damage the refrigerant circuit.
- > **WARNING:** Do not use electrical appliances inside the food storage compartments of the appliance, unless they are of the type recommended by the manufacturer.
- > **WARNING:** Please abandon the refrigerator according to local regulators for its use flammable blowing gas and refrigerant.
- > **WARNING:** When positioning the appliance, ensure the supply cord is not trapped or damaged.
- > **WARNING:** Do not locate multiple portable socket-outlets or portable power supplies at the rear of the appliance.
- > Do not use extension cords or ungrounded (two prong) adapters.
- > To avoid a hazard due to instability of the appliance, it must be fixed in accordance with the instructions.
- > The refrigerator must be disconnected from the source of electrical supply before attempting the installation of accessory. Ensure that the power cable is not trapped by the refrigerator. Do not step on the power cable.



CAUTION

Daily use

- > Do not pull the power cord when pulling the power plug of the refrigerator. Please firmly grasp the plug and pull out it from the socket directly.
- > To ensure safe use, do not damage the power cord or use the power cord when it is damaged or worn.
- > Please use a dedicated power socket and the power socket shall not be shared with other electrical appliances.
- > The power plug should be firmly contacted with the socket or else fires might be caused.
- > Please ensure that the grounding electrode of the power socket is equipped with a reliable grounding line.
- > Please turn off the valve of the leaking gas and then open the doors and windows in case of leakage of gas and other flammable gases.
- > Do not unplug the refrigerator and other electrical appliances considering that spark may cause a fire.
- > Do not use electrical appliances on the top of the appliance, unless they are of the type recommended by the manufacturer.
- > The gaps between refrigerator doors and between doors and refrigerator body are small, be noted not to put your hand in these areas to prevent from squeezing the finger. Please be gentle when close the refrigerator door to avoid falling articles.
- > Do not pick foods or containers with wet hands in the freezing chamber when the refrigerator is running, especially metal containers in order to avoid frostbite.
- > Do not allow any child to get into or climb the refrigerator; otherwise suffocation or falling injury of the child may be caused.
- > Do not place heavy objects on the top of the refrigerator considering that objectives may fall when close or open the door, and accidental injuries might be caused.
- > Do not put flammable, explosive, volatile and highly corrosive items in the refrigerator to prevent damages to the product or fire accidents.
- > Do not place flammable items near the refrigerator to avoid fires.
- > The refrigerator is intended for household use, such as storage of foods; it shall not be used for other purposes, such as storage of blood, drugs or biological products, etc.
- > Do not store beer, beverage or other fluid contained in bottles or enclosed containers in the freezing chamber of the refrigerator; or otherwise the bottles or enclosed containers may crack due to freezing to cause damages.



WARNING

- > Connect to potable water supply only. (Suitable for ice cube maker) (*)
- > To prevent children from being entrapped, the keys must be kept out of reach of children and not in the vicinity of chest freezer (or refrigerator) (suitable for products with locks).(*)

(*) : This feature varies depending on the model purchased.



WARNING

For EU standard:

This appliance can be used by children aged from 8 years and above and persons with reduced physical, sensory or mental capabilities or lack of experience and knowledge if they have been given supervision or instruction concerning use of the appliance in a safe way and understand the hazards involved. Children shall not play with the appliance. Cleaning and user maintenance shall not be made by children without supervision.

To avoid contamination of food, please respect the following instructions:

- Opening the door for long periods can cause a significant increase of the temperature in the compartments of the appliance.
- Clean regularly surfaces that can come in contact with food and accessible drainage systems.
- Clean water tanks if they have not been used for 48h; flush the water system connected to a water supply if water has not been drawn for 5 days. **(Note 1)(*)**
- Store raw meat and fish in suitable containers in the refrigerator, so that it is not in contact with or drip onto other food.
- Two-star frozen-food compartments are suitable for storing pre-frozen food, storing or making ice-cream and making ice cubes. **(Note 2)(*)**
- 1 star, 2 star and 3 star compartments are not suitable for the freezing of fresh food. **(note 3)(*)**
- For appliances without a 4-star compartment: this refrigerating appliance is not suitable for freezing foodstuffs. **(note 4)(*)**
- If the refrigerating appliance is left empty for long periods, switch off, defrost, clean, dry, and leave the door open to prevent mould developing within the appliance.

Note 1,2,3,4: Please confirm whether it is applicable according to your product compartment type.

(*): This feature varies depending on the model purchased.



"4 star" symbol: Freezer at -18 °C or colder, and it has the ability of quick freezing a certain amount of food



"3 star" symbol: Freezer compartment at -18 °C or colder



"2 star" symbol: Freezer compartment at -12 °C or colder



"1 star" symbol: Freezer compartment with a target temperature and storage conditions of -6 °C



CAUTION

This product is not recommended for use with sockets or main switch with the AFCI/GFCI function, otherwise it may cause false tripping.

1. It's not pose a safety risk when tripped.
2. If tripping persists, it is recommended to replace the sockets or main switch without AFCI/GFCI function.



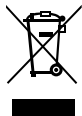
WARNING

Risk of child entrapment. Before you throw away your old refrigerator or freezer:

- > Take off the doors.
- > Leave the shelves in place so that children may not easily climb inside.

ENVIRONMENTAL PROTECTION

Disposing of old electrical devices in an environmentally-friendly manner



This crossed-out wheeled bin symbol indicates that waste electrical and electronic products (WEEE) should be disposed of separately from the municipal waste stream.

Old electrical products can contain hazardous substances so correct disposal of your old appliance will help prevent potential negative consequences for the environment and human health. Your old appliance may contain reusable parts that could be used to repair other products, and other valuable materials that can be recycled to conserve limited resources.

Package information



Packaging materials of the product are manufactured from recyclable materials in accordance with our National Environment Regulations. Do not dispose of the packaging materials together with the domestic or other wastes. Take them to the packaging material collection points designated by the local authorities.

CAUTION

Refrigerant and cyclopentane foaming material used for the refrigerator are flammable. Therefore, when the refrigerator is scrapped, it shall be kept away from any fire source and be recovered by a special recovering company with corresponding qualification other than be disposed by combustion, so as to prevent damage to the environment or any other harm.

INSTALL INSTRUCTION

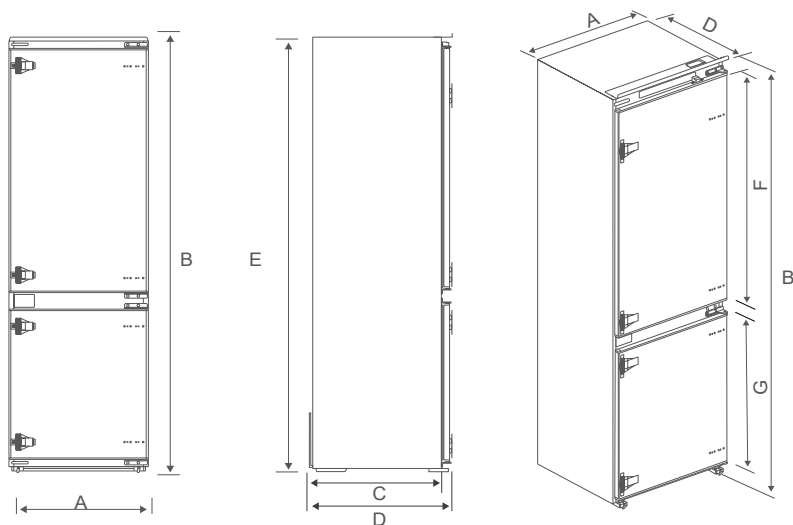
Before first use

Remove the exterior and interior packing, wipe the outside thoroughly with a soft dry cloth and the inside with a wet, lukewarm cloth.

Before connecting your refrigerator to the power supply, check that the voltage stated on the rating label of your appliance corresponds to the voltage in your home. A different voltage could damage the appliance.

The appliance must be grounded. The manufacturer is not responsible for damages that may occur as a result of usage without grounding.

Space requirement diagram



A	B	C	D	E	F	G
690	1953	515	550	1937	1161	621.5

Notice: All dimensions in mm.

The range of product width dimension is 690mm to 695mm.

Ambient Temperature

Depending on the climate class, this refrigerator is intended to be used at an ambient temperature range as specified in the following table.

The product may not operate properly at temperatures outside of the specific range.

You can find the climate class on the product label.

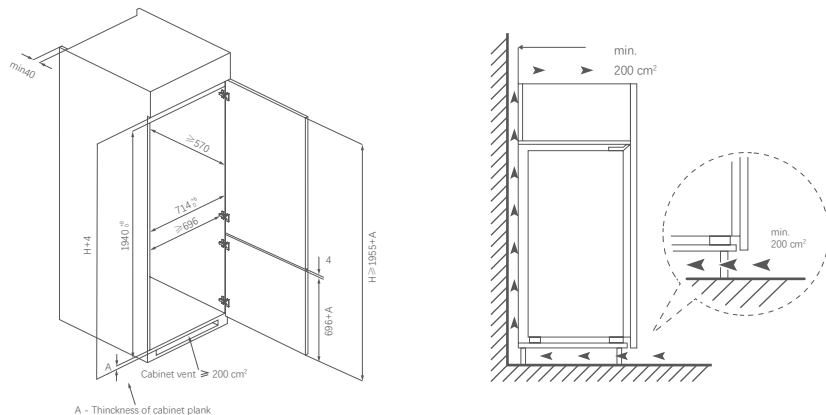
Climate Class	Ambient Temperature
SN	+10 °C to +32 °C
N	+16 °C to +32 °C
ST	+16 °C to +38 °C
T	+16 °C to +43 °C

If you have any doubts regarding installation, please turn to the vendor, to our customer service or to the nearest Authorised Service Centre.

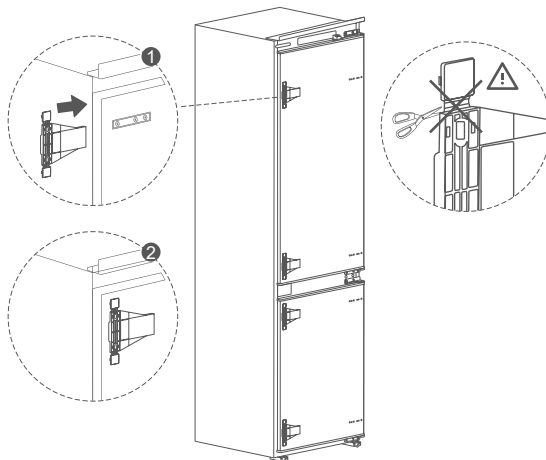
Installation in cabinet

Steps:

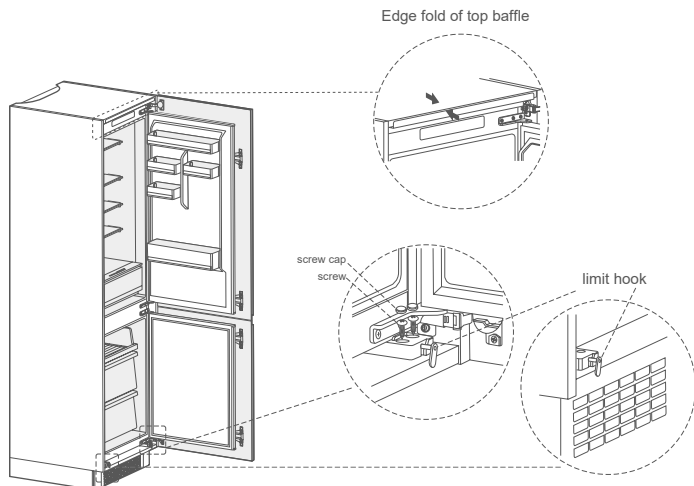
1. Cabinet size requirement.



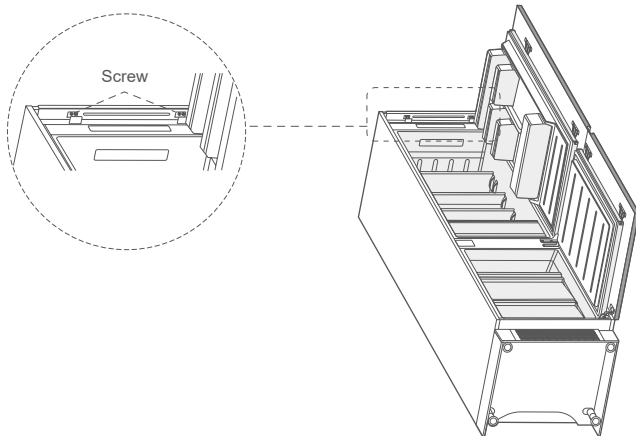
2. Install the 4 fixed blocks in the accessory package on the corresponding sliding rail of the door body. Push the refrigerator into the cabinet and adjust it to ensure that the edges of the top plate fully touch the top edge of the cabinet and the limiting hooks of the support legs fully touch the bottom edge of the cabinet.



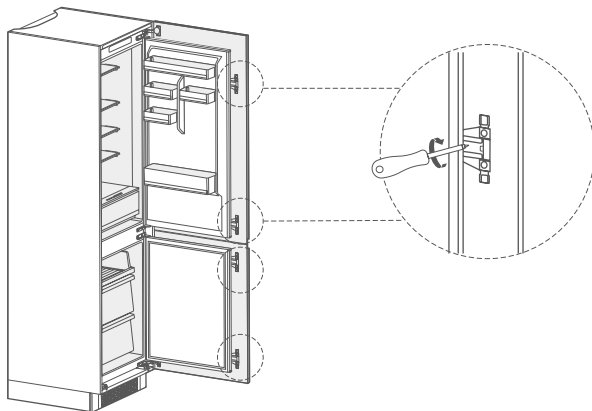
3. Fix the supporting leg with screws, then install the screw caps.



4. Fix the top baffle to the top of the cabinet inner with screws, then install the screw caps.



5. Open the lower door of cabinet the maximum angle, and open the lower door of the refrigerator to the corresponding position. Sliding the block to make sure inner edge align with the lower door edge of refrigerator, then fix the block to the door of cabinet with screw and install screw caps. Fix the upper refrigerator door to the cabinet door in the same way. Exchange the fixed position of the adjustable foot and the bottom hinge, then fix them again.



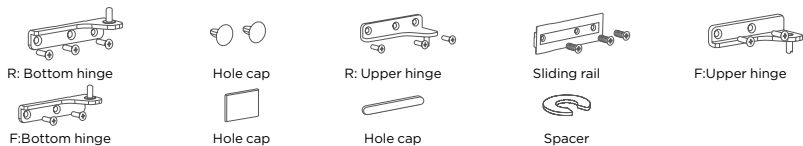
6. Take out the sealing strip from accessory bag, and press it in the gap between the cabinet and the refrigerator. Installation is completed.

ATTENTION

Precautions before installation: Information in the Instruction Manual is only for reference. The physical product may differ. Before installation and adjusting of accessories, it shall be ensured that the refrigerator is disconnected from power.

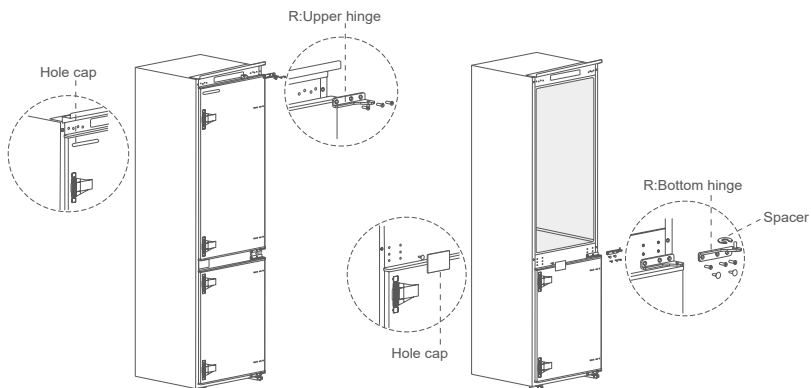
Doors reversal

Parts already mounted on the refrigerator (as shipped):

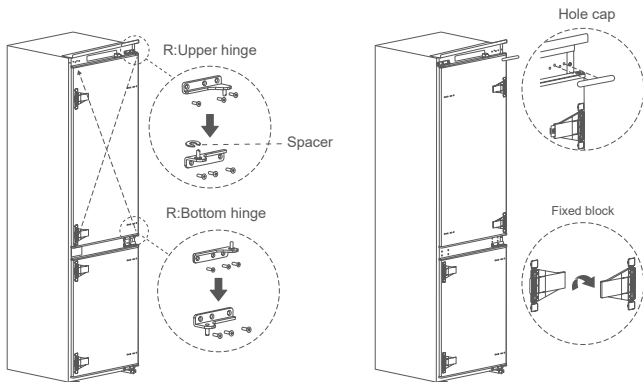


Steps:

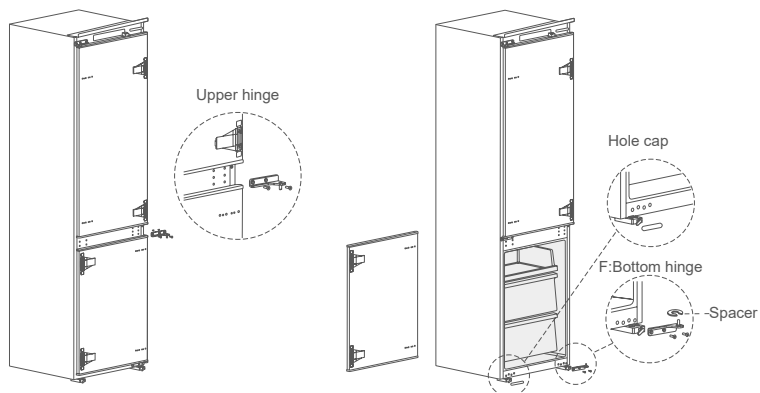
1. Power off the refrigerator, and remove all objects from the door trays.
2. Remove the upper hinge and hole caps of refrigerator door.
3. Remove the refrigerator door, the bottom hinge spacer and the hole cover.



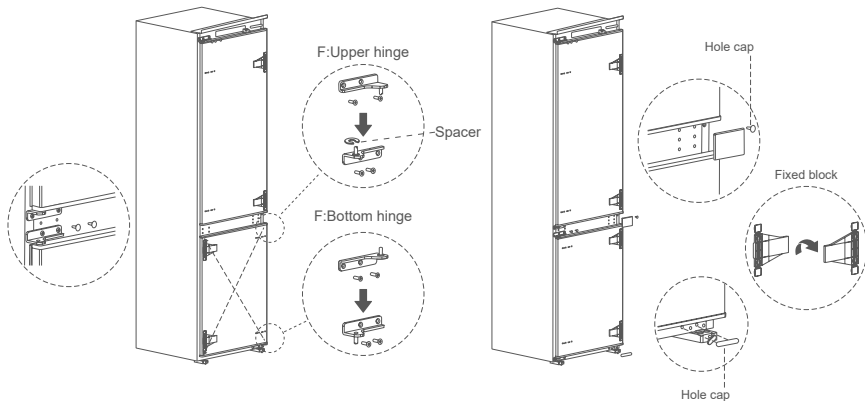
4. Exchange the R:bottom hinge and R:upper hinge ,then install them according to below steps, and install the top hole caps.
5. Remove the two fixed blocks of refrigerator door and rotate them for 180° and install them on other side of refrigerator door.



6. Remove the the upper hinge of freezer door.
7. Remove the freezer door, the bottom hinge spacer and the hole caps.



8. Exchange the F:bottom hinge and F:upper hinge ,then install them according to below steps, and install the top hole cover and lower hole caps.
9. Remove the two fixed blocks of freezer door and rotate them for 180° and install them on other side of freezer door.



ATTENTION

Differences: Due to technical changes and different models, some of the illustrations in this manual may differ from your model.

Changing the light

Any replacement or maintenance of the LED lamps is intended to be made by the manufacturer, its service agent or similar qualified person.

After connecting the power supply cord (or plug) to the outlet, wait 2 or 3 hours before you put food into the appliance. If you add food before the appliance has cooled completely, your food may spoil.

Moving the appliance

1. Remove all items from the appliance.
2. Pull the power plug out, insert and fix it into the power plug hook at the rear or on top of the appliance.
3. Tape parts such as shelves and the door to prevent from falling off while moving the appliance.
4. Move the appliance with more than two people carefully. When transporting the appliance over a long distance, keep the appliance upright.

Tips for energy saving

Do not place the appliance near cookers, radiators or other heat sources. If the ambient temperature is high, the compressor will run more frequently and for longer, resulting in increased energy consumption.

Ensure that there is sufficient ventilation at the base of the appliance, on the sides of the appliance and at the back of the appliance.

Please also observe the spacing dimensions in the chapter "Installation".

The arrangement of drawers, shelves and trays as shown in the product overview offers the most efficient use of energy and should be retained as far as possible.

To obtain a larger storage space (e.g. for large refrigerated/frozen goods), the middle drawers and shelves can be removed. The top and bottom drawers and shelves should be removed last if necessary.

An evenly filled refrigerator/freezer compartment contributes to optimal energy use.

Allow warm food to cool before placing it in the refrigerator/freezer compartment. Food that has already cooled down increases energy efficiency.

Allow frozen food to defrost in the refrigeration compartment. The coldness of the frozen food reduces the energy consumption in the refrigerator compartment and thus increases the energy efficiency.

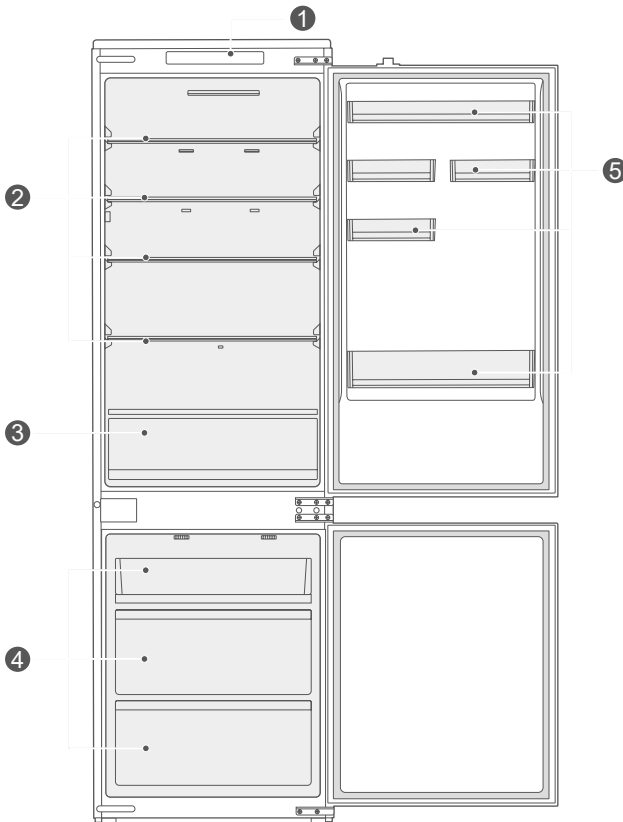
Open the door only as briefly as necessary to minimise cold loss. Opening the door briefly and closing it properly reduces energy consumption.

Setting the temperature no colder than necessary contributes to optimal energy use.

The door gaskets of your appliance must be perfectly intact so that the doors close properly and energy consumption is not increased unnecessarily.

PRODUCT OVERVIEW

Parts and functions



- | | | | |
|---|---------------------------|---|-------------|
| 1 | Temperatre control | 2 | Glass shelf |
| 3 | Fruits and vegetables box | 4 | Drawer |
| 5 | Door tray | | |

> For the most efficient use of energy, please keep the all internal items such as trays, drawers, shelves and ice cube box on the position supplied by manufacturer.

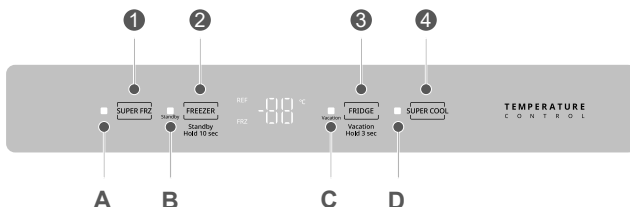
ATTENTION

Differences: Due to technical changes and different models, some of the illustrations in this manual may differ from your model.

OPERATION INSTRUCTIONS

Use and functions

Feature panel



Display screen

- A Super freeze mode indicator
- B Standby indicator
- C Vacation mode indicator
- D Super cooling mode indicator

Button

- | | |
|--------------------|---------------------|
| 1 SUPER FRZ Button | 2 FREEZER Button |
| 3 FRIDGE Button | 4 SUPER COOL Button |

ATTENTION

Do not use sharp objects to operate the control panel. They can scratch or damage the control panel.

Display

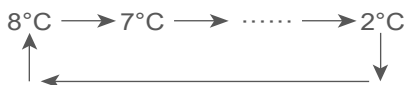
When the refrigerator is powered on for the first time, the display are fully displayed for 3 seconds, the power-on bell ringing at the same time. The digital display area enters the normal operation display. The default temperature of the refrigerator compartment is 5°C, and the default temperature of the freezer compartment is -20°C.

When adjusting the temperature or setting the mode, the setting takes effect after no operation for 15 seconds, and the digital display area lights off after no operation for another 15 seconds.

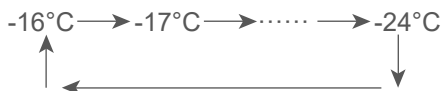
When the digital display area lights off, open the door of refrigerator compartment or press any button can illuminate the digital display area.

Temperature setting

Press the FRIDGE button to adjust the temperature of the refrigerator compartment. The digital display area shows the set temperature of the refrigerator compartment (2 ~ 8°C). Each time you press the button, the temperature value is reduced by 1°C. After reaching the lowest temperature, press the button again to cycle to the highest temperature.



Press the FREEZER button to adjust the temperature of the freezer compartment. The digital display area shows the set temperature of the freezer compartment (-24 - -16°C). Each time you press the button, the temperature value is reduced by 1°C. After reaching the lowest temperature, press the button again to cycle to the highest temperature.



Standby mode

Press and hold the FREEZER button 10s to enter the standby mode, and the Standby indicator lights up, others off. The refrigerator stops working.

In standby mode, press and hold the FREEZER button 10s to exit the standby mode, and the digital display area returns to the display state before the standby mode is set.

Super cool mode

Press the SUPPER COOL button to enter the super cooling mode, and the Super cooling mode indicator lights up. The digital display area shows 2°C.

In the super cooling mode, after pressing the SUPPER COOL button or the FRIDGE button or running for 6 hours, the Super cooling mode indicator lights off and the super cooling mode is exited, the set temperature of the refrigerating chamber will automatically return to that set before entering Super cool mode.

Super freeze mode

Press the SUPPER FRZ button to enter the super freeze mode, the Super freeze mode indicator lights up, and the digital display area shows -24°C.

In the super freeze mode, press the SUPPER FRZ button or the FREEZER button or run for 40 hours, the Super freeze mode indicator lights off, and the super freeze mode is exited, the set temperature of the freezer chamber will automatically return to that set before entering Super freeze mode.

Vacation mode

Press and hold the FRIDGE button 3s to enter the vacation mode, and the Vacation mode indicator lights up. The refrigerator compartment is closed, and the digital display area shows "--". The freezer compartment is set to -20°C. The temperature adjustment is not available, and super cooling/super freeze mode cannot be set.

Press and hold FRIDGE button 3s, the Vacation mode indicator lights off, and the vacation mode is exited. The digital display area returns to the display state before the vacation mode is set.

Door open timeout alarm

When the door of the refrigerator compartment is open for 120s without closing, the buzzer alarms. Close the door or press any button to release the alarm.

Fault indication

The following warnings appearing on the display indicate corresponding faults of the refrigerator. Though the refrigerator may still have a freezing function with the following faults, the user shall contact maintenance specialist for maintenance, so as to ensure normal use of the refrigerator.

Fault Code	Fault Description
E1	Temperature sensor fault of the refrigerator compartment
E2	Temperature sensor fault of the freezer compartment
E5	Freezer frost sensor fault
E6	Main control PCB and Display PCB Communication fault
E7	Ambient temperature sensor fault
L4	Abnormal freezing fan speed fault
L5	Condenser fan fault
L6	Abnormal condenser fan speed fault

Storing food

Freezer compartment

The freezer compartment is designated for the low-temperature freezing of food, long-term storage of frozen food, and for the production of ice cubes.

Pay attention to the star classifications (4 star, 2 star and 1 star) in the freezer compartment and the resulting storage periods for frozen food.

Do not put fresh and frozen food next to each other. The frozen food may thaw.

When freezing large amounts of fresh food (such as meat, fish or chopped meat), please divide them into several small pieces before putting in, so that they can be quickly frozen and pick up easily.

Abide by the storage times recommended by food manufacturers on the packages, there is no information on the packaging, food should not be stored frozen for longer than three months from the date of purchase.

When purchasing frozen food, make sure that it was frozen at a suitable temperature and that the packaging is not damaged.

Frozen food should be kept in suitable individual packages to ensure that adjacent food cannot be contaminated. Consume thawed and defrosted foods immediately, do not refreeze them.

In case of prolonged power failure or malfunction of the appliance, remove the stored frozen food and check whether they are still edible, then store them in a sufficiently cool place or in another appliance.

To defrost food, remove it from the freezer and let it defrost at room temperature or in the refrigerator. To defrost food quickly, you can use the defrost function on your microwave, for example.

If you only want to defrost part of a pack, remove the portion you need and immediately close the rest of the pack. In this way, you will avoid "freezer burn" and will reduce ice formation on the remaining foods.

Cooling compartment

To reduce moisture and subsequent ice build-up, never put liquid into the fridge compartment in unsealed containers. Frost tends to concentrate in the coolest parts of the evaporator. Storing uncovered liquids results in a more frequent need for defrosting.

Never put warm foods in the fridge compartment. These should first cool down at room temperature and then be placed so as to ensure adequate air circulation in the fridge compartment.

Foods or food containers should not touch the back wall of the fridge because they could freeze to the wall. Do not keep regularly opening the door of the refrigerator.

Meat and clean fish (packed in a package or plastic foil) can be placed in the fridge compartment, which can be used in 1-2 days.

Fruit and vegetables without packaging can be placed in the part designated for fresh fruit and vegetables

ATTENTION

Storage of too much food during operation after the initial connection to power may adversely affect the freezing effect of the refrigerator.

Storage times and temperature

Note: Overlong storage or storage at inappropriate freezing temperature may cause a quality loss or spoiled foods, which causes food waste, is inedible and may cause food poisoning. The minimum temperature in most cases should be -18°C or colder. Follow the maximum recommended storage times below:

- > Stew, ice cream, sausages, bread: 2-6 months.
- > Fish, shrimp, lamb, meat: 4-8 months.
- > Vegetables, fruits, poultry, beef: 6-12 months.

MAINTENANCE AND CLEANING



CAUTION

Disconnect the appliance from the electrical supply before undertaking any routine maintenance. Allow at least 5 minutes before restarting the appliance, as frequent starting may damage the compressor.

Hold the plug, not the cable, when unplugging the appliance.

Do not scrape off frost and ice with sharp objects. Do not use sprays, electric heaters like heater, hair dryer, steam cleaners or other sources of heat in order to avoid damage to the plastic parts.

Eliminate the dust on the back of the unit at least once in the year to avoid hazard by fire, as well as increased energy consumption.

Check the door gasket regularly to make sure there are no debris. Clean the door gasket with a soft cloth dampened with soapy water or diluted detergent.

The interior of the product should be cleaned regularly to avoid odor.

Use a soft cloth or sponge to clean the inside of the product, with two tablespoons of baking soda and a quart of warm water. Then rinse with water and wipe clean. After cleaning, open the door and let it dry naturally before turning on the power.

For areas that are difficult to clean in the product (such as narrow sandwiches, gaps or corners), it is recommended to wipe them regularly with a soft rag, soft brush, etc. and when necessary, combined with some auxiliary tools (such as thin sticks) to ensure no contaminants or bacterial accumulation in these areas.

Do not use soap, detergent, scrub powder, spray cleaner, etc., as these may cause odors in the interior of the product or contaminated food.

Wipe the outer surface of the product with a soft cloth dampened with soapy water, detergent, etc., and then wipe dry.

Do not use hard brushes, clean steel balls, wire brushes, abrasives (such as toothpastes), organic solvents (such as alcohol, acetone, banana oil, etc.), boiling water, acid or alkaline items, which may

damage the fridge surface and interior. Boiling water and organic solvents such as benzene may deform or damage plastic parts.



Do not rinse directly with water or other liquids during cleaning to avoid short circuits or affect electrical insulation after immersion.

ATTENTION

The appliance shall run continuously once it is started. Generally, the operation of the appliance shall not be interrupted; otherwise the service life may be impaired.

Defrosting

Although this appliance automatically defrosts, a layer of frost may occur on the freezer compartment's interior walls if the freezer door is opened frequently or kept open too long. If the frost is too thick, choose a time when the supply of food stocks are low and proceed as follows:

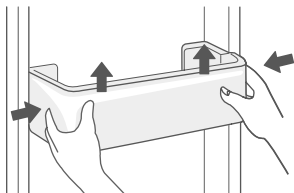
1. Remove existing food and accessories baskets, unplug the appliance from the mains power and leave the doors open. Ventilate the room thoroughly to accelerate the thawing process.
2. When defrosting is completed, clean your freezer as described above.

CAUTION! Don't use sharp objects to remove frost from the freezer. Only after the interior completely dry should the appliance be switched back on and plugged back into the mains socket.

Cleaning of door tray

According to the direction arrow in the figure below, use both hands to squeeze the tray, and push it upward, then you can take it out.

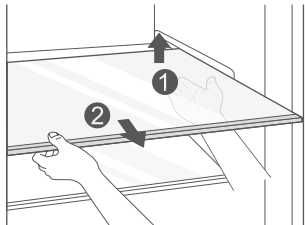
After washing the tray having been taken out, you can adjust its installing height in accordance with your requirement.



Cleaning of glass shelf

As the innermost part of the refrigerator liner where contacting the shelves has a backstop, you shall raise the shelves upward, then you can be able to take it out.

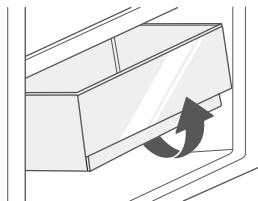
Adjust or clean the shelves according to your requirement.



Cleaning the vegetable drawer

Remove the contents of the drawer. Hold the handle of the vegetable drawer and pull it out completely until it stops.

Lift the vegetable drawer up and remove it by pulling it out.



⚠ ATTENTION

Differences: Due to technical changes and different models, some of the illustrations in this manual may differ from your model.

TROUBLESHOOTING

The following simple issues can be handled by the user. Please call the after-sale service department if the issues are not solved.

Problem	Possible Causes	Solution
Not operate	<ul style="list-style-type: none"> The power supply is not turned on and the plug is not firmly inserted. Low voltage, power failure or part of the circuit tripped. 	<ul style="list-style-type: none"> Insert the power cord plug firmly. Check the power supply at home.
Light not on	<ul style="list-style-type: none"> The appliance is not powered on. The light is broken. 	<ul style="list-style-type: none"> Unplug and re-plug the power cord. Replace the light with a new one.
Fruits or vegetables are frozen	<ul style="list-style-type: none"> Has the food been placed at the back of the fridge? The area near the back wall is where the temperatures are coldest. Fruits or vegetables are stored in the Fresh/Chill zone. 	<ul style="list-style-type: none"> Not placing food which may freeze easily at the back of the fridge compartment. The Fresh/Chill zone is only for meat/fish.
Fridge/freezer is over-cooling	<ul style="list-style-type: none"> Temperature control is not set correctly. 	<ul style="list-style-type: none"> Set the temperature higher.
Compressor working for a long time	<ul style="list-style-type: none"> High ambient temperature causing long working time. Putting too much food in at one time. Food is put in before it has cooled down. Opening the door too often. The frost layer inside is too thick. 	<ul style="list-style-type: none"> This is normal. Do not put too much food in at one time. Wait until the food has cooled down before putting it in. Do not open the door too often. Need to defrost.
Door does not close properly	<ul style="list-style-type: none"> Door is stuck with objects. Too much food in. Door gasket deformed. 	<ul style="list-style-type: none"> Do not put in too much food. Place the appliance stably. Heat the door gasket, then cool it for restoration (with an electrical drier or hot water for heating).
Outer wall is hot	<ul style="list-style-type: none"> When the appliance is operating, heat is dissipated to the outside through the metal tubes inside the cabinet. Higher ambient temperatures in the summer cause the temperature of the outer wall to rise. 	<ul style="list-style-type: none"> Higher temperature on the outer wall is normal. Increase the heat dissipation space, or put the appliance in a ventilated and cool place.
Cross or vertical beams are hot	<ul style="list-style-type: none"> There are metal tubes inside the beams, and the heat released from the tubes prevents condensation. 	<ul style="list-style-type: none"> This is normal.
Odors	<ul style="list-style-type: none"> Spoiled food Food with strong odors The interior compartment is dirty. 	<ul style="list-style-type: none"> Clean and remove any spoiled food. Make sure strong smelling food is wrapped airtight. Clean the interior compartment.
Condensation forms on the outside	<ul style="list-style-type: none"> Condensation may form when the humidity in the room is high. 	<ul style="list-style-type: none"> This is normal. Wipe off the condensation using a dry cloth.
Condensation forms inside the fridge and drawers	<ul style="list-style-type: none"> The fridge maintains a high humidity to keep vegetables and other food items fresh. Humidity is too high in the room and doors have been opened frequently. The door gasket are not tight. 	<ul style="list-style-type: none"> Wipe off the condensation using a dry cloth. Do not open doors as frequently or do not keep them open too long. Check the door gasket, clean or correct position.

Certain sounds can be heard during normal use of the refrigerator, which do not affect its correct operation.

Sounds, which can be easily prevented:

- > Noise caused by the appliance which is not level - adjust the position with the adjustable turn-in front feet. Alternatively, place pads made of soft material under the rear rollers, especially when the appliance is placed on tiles.
- > Touching the adjacent piece of furniture - move the refrigerator away.
- > Creaking of the drawers or shelves - take out and put back the drawer or shelf.
- > Sounds of clinking bottles - move bottles apart.

Sounds heard during normal use are mainly due to operation of the compressor (switching on) and cooling, system (thermal expansion and contraction of the radiator caused by flow of the cooling agent).

Note:

- > Specified power consumption is based on a cabinet depth of 575 mm. The product also works normally in a cabinet depth of less than 570mm, which consumes more energy.

Defrosting interval claim

Environmental temperature	Interval between two defrosting cycles	Time	Specific conditions
32C	Minimum two defrosting intervals (Δt_{d-min})	12h	Heavy use, frequent opening of doors
	Maximum two defrosting intervals (Δt_{d-max})	96h	Under low humidity conditions, there is no door opening action and no special mode is set

APPENDIX

Special for new European standard

The ordered parts in the following table can be acquired from Service provider channel

Ordered part	Provided by	Minimum time required for Provision
Thermostats	Professional maintenance personnel	At least 7 years after the last model is launched on the market
Temperature sensors	Professional maintenance personnel	At least 7 years after the last model is launched on the market
Printed circuit boards	Professional maintenance personnel	At least 7 years after the last model is launched on the market
Light sources	Professional maintenance personnel	At least 7 years after the last model is launched on the market
Door handles	Professional repairers and final users	At least 7 years after the last model is launched on the market
Door hinges	Professional repairers and final users	At least 7 years after the last model is launched on the market
Trays	Professional repairers and final users	At least 7 years after the last model is launched on the market
Baskets	Professional repairers and final users	At least 7 years after the last model is launched on the market
Door gaskets	Professional repairers and final users	At least 10 years after the last model is launched on the market

Dear customer

1. If you want to return or replace the product, please contact the store where you buy.
(Remember to bring the purchase invoice)
2. If your product breaks down which needs to repair, please contact after-sales service provider.



ATTENTION

The model information in the product database, as well as the model identifier, can be obtained through a weblink scanned by a QR code, if any, on the energy efficiency label of the product.

For more information about the energy efficiency of the appliance, visit <https://ec.europa.eu> and search using the model name.

The model name can be found on the rating label of the appliance.

HUSKYTM

www.huskybrand.com.au

www.arisit.com

HUSKY REFRIGERATION

Distributed by Arisit Pty LTD.

Australia:

40-50 Mark Anthony Dr, Dandenong South VIC 3175, Australia.
AUS Contact Number: 1300 762 219

New Zealand:

1A Howe Street, Freemans Bay, Auckland 1010, New Zealand.
NZ Contact number: 09 306 10 20

Web: www.huskybrand.com.au

Service: 1300 762 219

Warranties Email: arisit.warranties@arisit.com