

Karran[®]

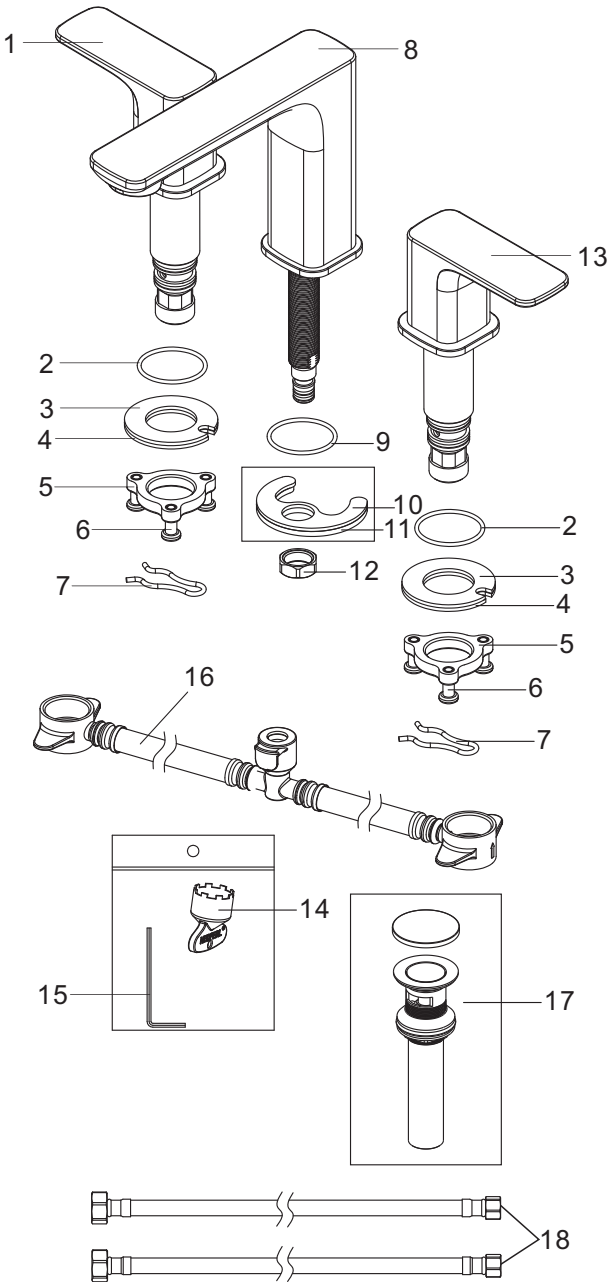
INSTALLATION GUIDE



Venda

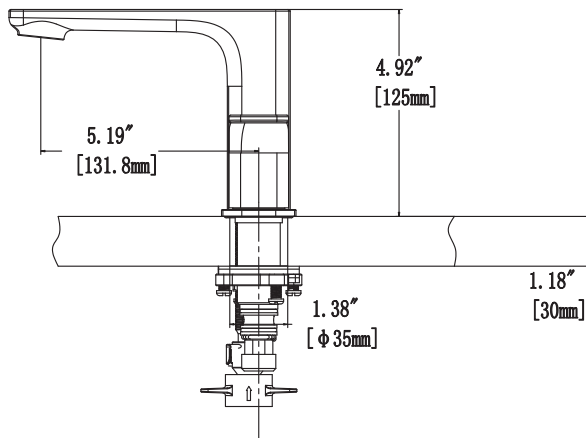
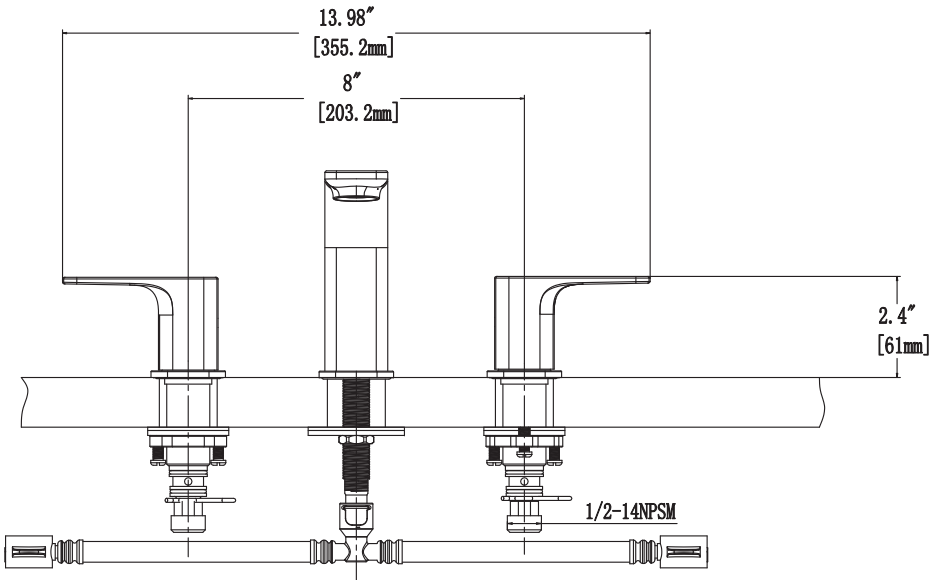
Models: KBF514C KBF514SS
 KBF514MB





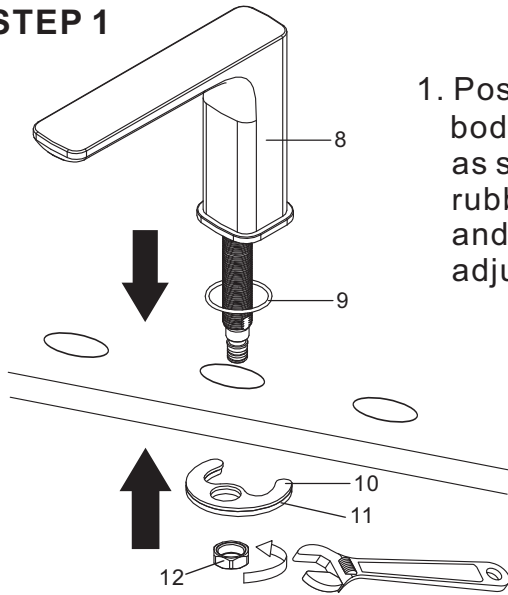
1. Handle
2. O-rings
3. Rubber Washers
4. Clamps
5. Mounting Nuts
6. Mounting Screws
7. Clamp springs
8. Faucet Body
9. O-ring
10. Rubber Washer
11. Clamp
12. Nut
13. Handle
14. Aerator Wrench
15. Allen Key
16. Quick Connect
17. Pop-up Drain
18. Supply Lines





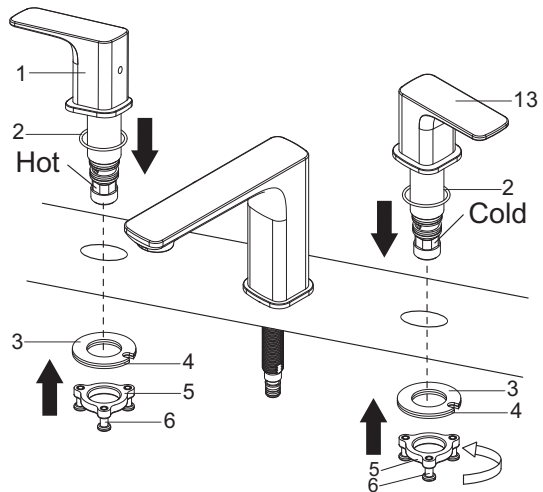
INSTALLATION GUIDE

STEP 1



1. Position the o-ring (#9) and faucet body (#8) in the installation surface as shown and secure it with the rubber washer (#10) and clamp (#11) and tighten the nut (#12) with adjustable wrench.

STEP 2

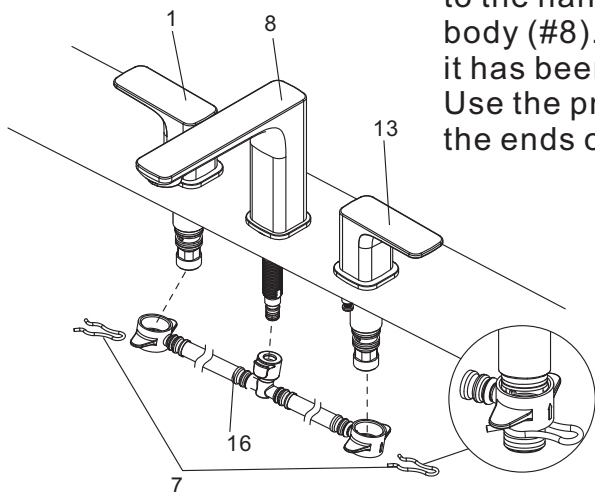


2. Position the o-ring (#2) and handle mounting (#1, #13) in installation surface as shown and secure it with kit (#3, #4, #5, #6) and tighten the screws with screwdriver. Repeat the above steps for the other handle.

INSTALLATION GUIDE

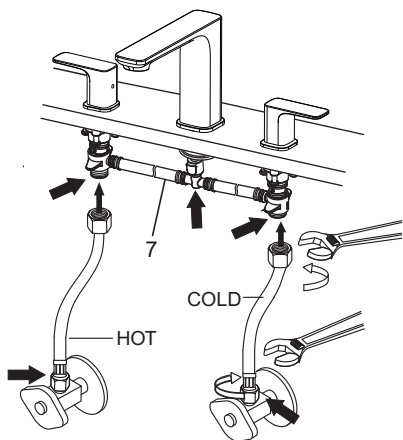
STEP 3

3. Connect the “quick connect” hose (#16) to the handle (#1 and #13) and faucet body (#8). You will hear a “click” when it has been successfully connected. Use the provided clamps (#7) to secure the ends of the “quick connect” hose.



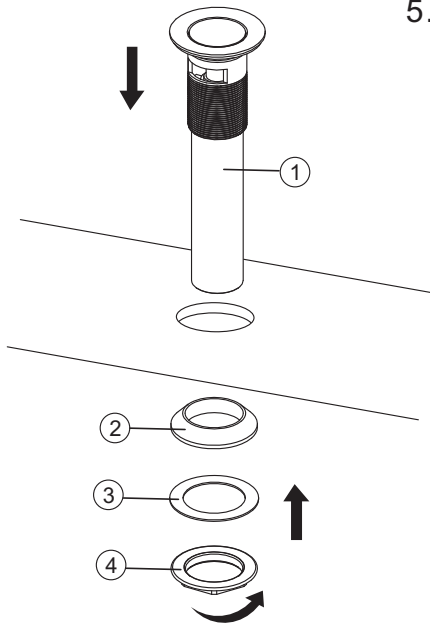
STEP 4

4. Connect the water supply lines to the bottom ends of the “quick connect” hose (#7) and to the hot and cold water supply valves. Secure and tighten with an adjustable wrench. **Caution:** Be careful not to mix up the hot and cold supply lines. Check all connections (shown with arrows in the image) for leaks. Re-tighten if necessary. Do not over tighten!



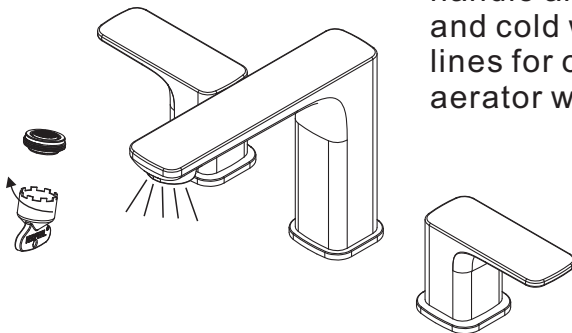
INSTALLATION GUIDE

STEP 5



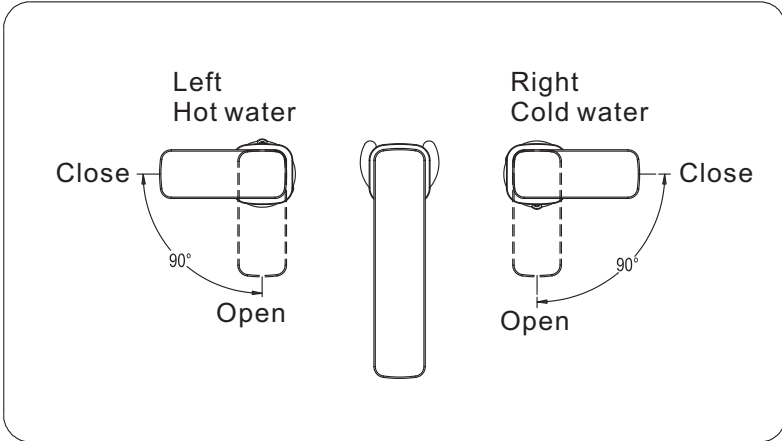
5. From the top of the drain hole, place the drain ① through the installation hole. From under the drain hole, install the thick washer ②, washer ③ and nut ④ by hand twisting on to the tail pipe of the drain. Then, install the tail pipe to the wall plumbing. Use of plumbers putty or silicone is recommended to seal drain ① to top side of bowl.

STEP 6

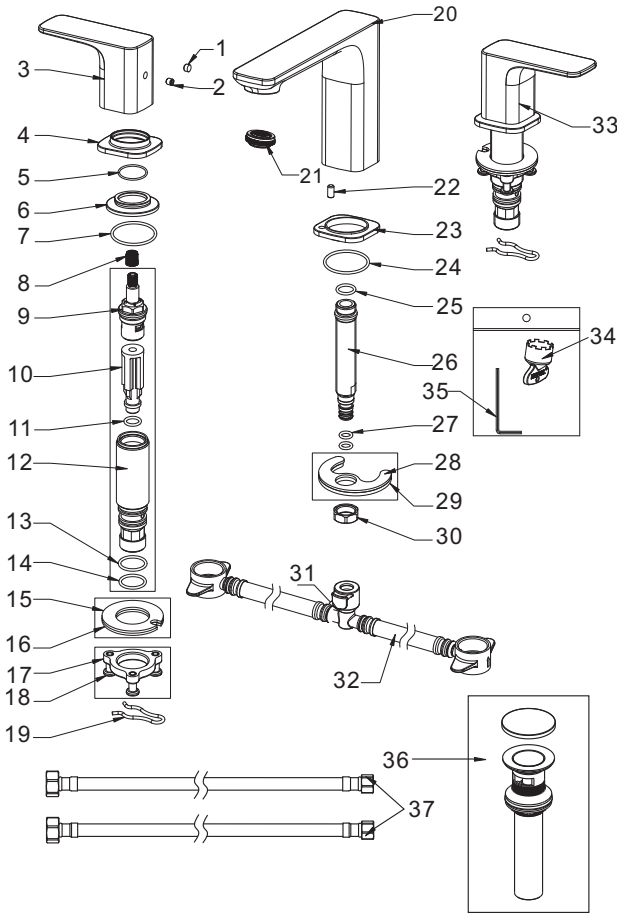


6. Remove the aerator with an aerator wrench (a quarter or flat surface tool could also work). Turn the faucet handle all the way on, turn on the hot and cold water supply and flush water lines for one minute. Reinstall the aerator with an aerator wrench.

How to operate the handle:



REPLACEMENT PARTS



No.	Description	Finish/Color	Item No.
1	Indexes		80N85050
2	Screws		8EM5X8
3	Handles	C,SS,MB	50P24VV72
4	Handle Flanges	C,SS,MB	51P24VV72
5	O-rings		8J29X2A
6	Lock Nuts		5YG1B398
7	O-rings		8J40X2
8	Adapters		81P24T72
9	Cartridge		K5B2320DQ
10	Inlets		8JG94015
11	O-rings		8J14X2A
12	Underbodies		50T94019DQ
13	O-rings		8J23X2A
14	O-rings		8J22X2A
15	Rubber Washers		81N94015
16	Clamps		80N94015
17	Mounting Nuts		8NM94015
18	Mounting Screws		8RM6X15
19	Clamp Springs		81T94015
20	Faucet Body	C,SS,MB	50T1B39801DQ
21	Aerator		80M24123NP17
22	Screw		8EM4X6
23	Base	C,SS,MB	5DZ1B398
24	O-ring		8J42X25
25	O-ring		8J16X2A
26	Inlet		8JG18U24DQ
27	O-rings		8J11X2A
28	Rubber Washer		81N18U24
29	Clamp		80N18U24
30	Nut		8NM16X15
31	Plastic Lock Ring		8SJ56226
32	Connection Hose		GKJ390HM0
33	Cartridge		K5B232ZDQ
34	Aerator Wrench		80P00013
35	Allen Key		8BS25
36	Pop-up Drain		C21026
37	Supply Lines		G08603SR

*Denotes faucet component color options:

C - Chrome
 SS - Stainless Steel
 MB - Matte Black