

KALORIK®

Since 1930


CORDLESS CYCLONE VACUUM CLEANER ASPIRATEUR CYCLONE SANS FIL



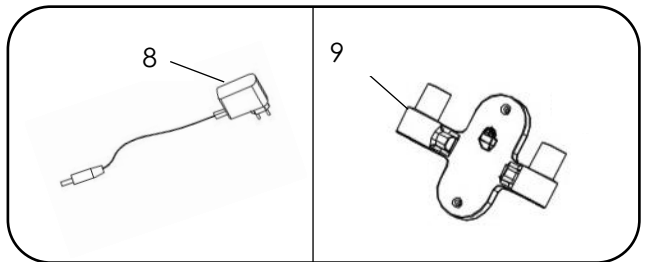
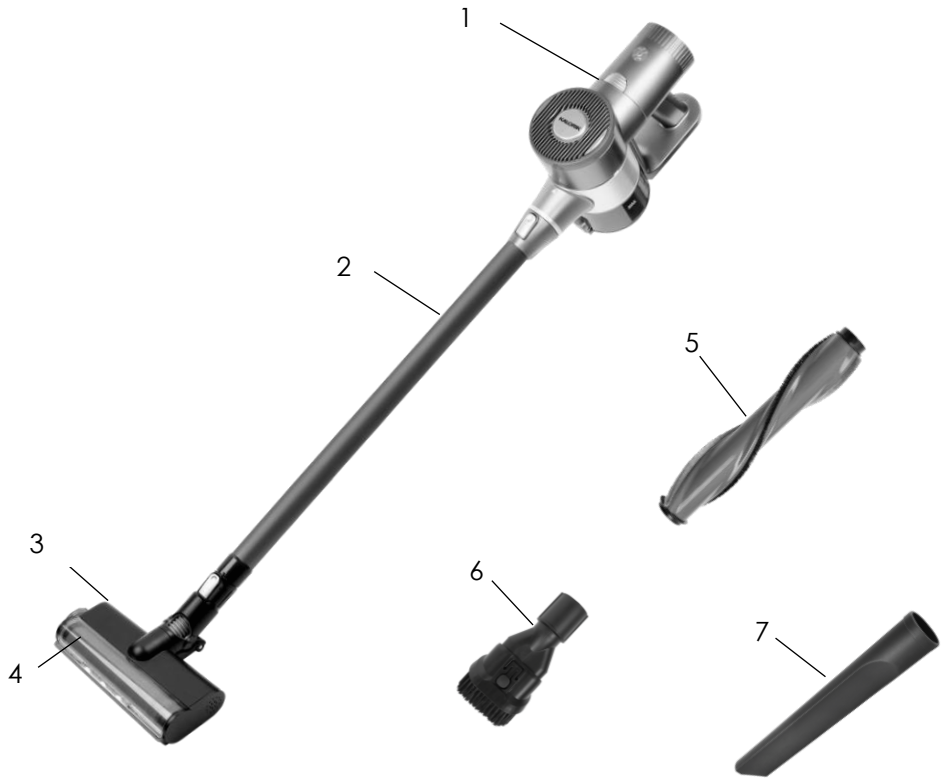
EN.....4
FR.....19

VC 47706

28.8V DC – Li-Ion Batteries 2000mAh

 Adapter output: 36V DC 500mAh.

PARTS / ÉLÉMENTS



ENGLISH:

1. Main body
2. Extension tube
3. Motorized floor head
4. Soft roller brush
5. Direct driver brush
6. Furniture brush
7. Crevice tool
8. Adaptor
9. Wall mount

FRANÇAIS:

1. Corps principal
2. Tube de rallonge
3. Tête de plancher motorisée
4. Brosse à plancher douce
5. Brosse à entraînement direct
6. Brosse pour meubles
7. Suceur plat
8. Adaptateur
9. Support mural

IMPORTANT SAFEGUARDS

WARNING: To reduce the risk of fire, electric shock or injury, when using your appliance, basic safety precautions should always be followed, including the following:

1. **Read all instructions before use.**
2. Use only for intended use.
3. Do not place the vacuum cleaner close to heat sources, radiation on, or burning cigarette.
4. Do not use the appliance to remove the following objects.
 - a. All liquids such as water and solvents.
 - b. Lime, cement, ash and other construction material.
 - c. Hot objects, such as cigarette butts.
 - d. Sharp debris, such as glass shards, etc.
 - e. Inflammable and explosive articles, such as gasoline or alcohol products.
5. Do not let children play with or operate the vacuum cleaner to prevent accidents.
6. Do not leave operating vacuum cleaner unattended.
7. The power must be turned off during cleaning, maintenance or when in storage.
8. Do not pull the adaptor from the cord. Hold the plastic part of the plug to remove it from the socket.
9. The power supply voltage must correspond to that of the vacuum cleaner charging voltage.
10. Keep the power cord away from sharp objects to prevent it from being damaged.
11. To prevent fires do not immerse the vacuum cleaner in water, do not expose it to any heating appliances.
12. Do not drag the power cord when moving the charging station.
13. In the case of below situations, do not use the vacuum cleaner and send it immediately to the nearest approved maintenance facility if:
 - a. The vacuum cleaner fell and consequently damaged
 - b. The power cord is damaged
14. Stop operating the vacuum cleaner if the suction inlet is blocked to prevent damages (such as overheating) to the motor or

deformations to the vacuum plastic part occasioned by overheating motor.

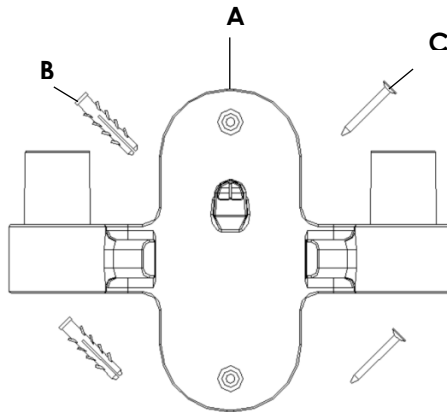
15. Remove the battery pack when not in use for an extended period of time and before cleaning.
16. Do not allow the terminals of battery to contact metal objects when carrying or storing the battery. Never attempt to open or modify battery for any reason.

SAVE THESE INSTRUCTIONS HOUSEHOLD USE ONLY

BEFORE THE FIRST USE

Installing the Wall Mount Charging Station

- Choose location near power outlet to install the wallmount. Ensure no pipe work (gas, water, air) or electrical cables,wires or ductwork are located directly behind the mounting area. It is recommended to use protective clothing, eyeware and materials when installing the docking station.
- Locate point high enough on wall to allow stick and power brush to hang freely.
- Place wall mount **(A)** against wall and use pencil to mark drill holes.
- Drill holes (with 1/4" bit) and insert drywall anchors **(B)**.
- Insert screws **(C)** through holes on mount and tighten until firmly attached.



Assembling the Appliance

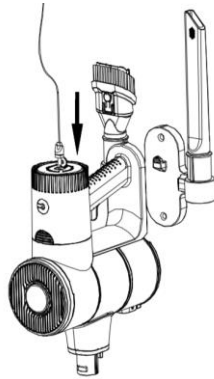
1. Slide the stick onto main body until it clicks
2. Push the stick into power brush until it clicks
3. Accessories can be connected to the stick for higher, tough to reach spots.

Charging the Appliance

The battery must be fully charged before the first use. The battery can be charged either by placing the unit on the wall mount, charging the main body horizontally, or charging the battery alone.

Charging on the Wall Mount

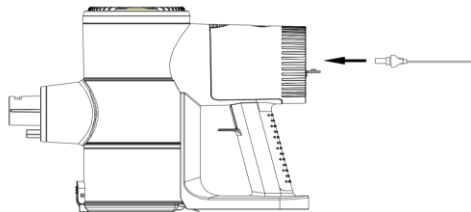
1. Place the main body on the wall mount
2. Lift the tab located in the center of the battery pack to connect the adaptor cord into the charging socket.



3. When connected, the power indicators will flicker as the unit charges. Once fully charged, all the indicator lights will be solid blue.

Charging the Main Body Horizontally

1. Place main body on flat surface.
2. Lift the tab located in the center of the battery pack to connect the adaptor cord into the charging socket.
3. When connected, the power indicators will flicker as the unit charges.

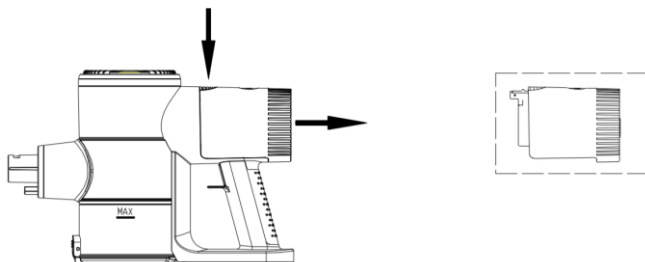


4. Once fully charged, all the indicator lights will be solid blue.

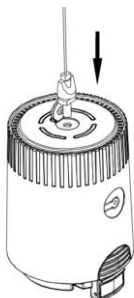
Note: When charging horizontally, it is recommended to charge the appliance without the brush and extension tube to keep the main body stable.

Charging the Battery Alone

1. Remove the battery pack from the main body by pressing the release button.



2. Lift the tab located in the center of the battery pack to connect the adaptor cord into the charging socket.



3. When connected, the power indicators will flicker as the unit charges.

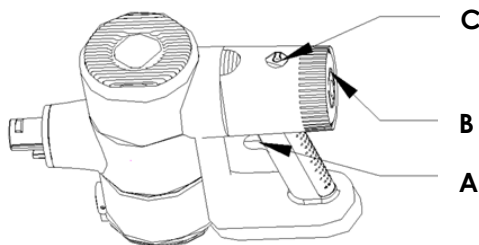
Note:

- General charging time: 4-5 hours
- High Power mode (without motorized accessory): approximately 10 minutes

- Eco mode (without motorized accessory): approximately 40 minutes
- It may take longer to charge under the following circumstances:
 - Room temperature is higher than 30°C;
 - Recharged immediately after the vacuum cleaner has stopped operating.
- Always recharge the vacuum cleaner after each usage, no matter how long it has been used.
- Unplug when not charging.
- To ensure a longer battery life, the vacuum cleaner should be charged at least once every two months. If the vacuum will not be used for more than two months, it is recommended to leave the vacuum cleaner disconnected from the power supply.
- The vacuum cleaner or adapter may become hot during charging. Take the necessary precautions to avoid contact.

OPERATION

- Once the appliance is fully charged, remove the main body from adaptor cord.
- Connect the desired accessories to the vacuum (see USING THE ACCESSORIES section for details).
- Switch the vacuum on by pressing the ON/OFF trigger (**A**). The indicator lights (**B**) will turn on, reflecting the battery level.
- Select between desired suction power by pressing the MAX/MIN button (**C**).

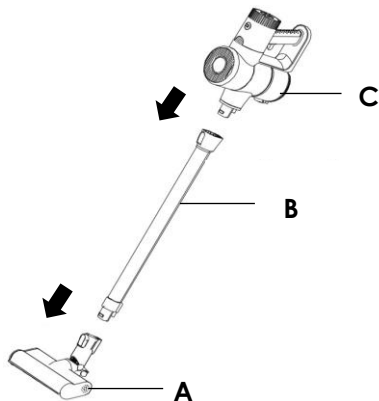


- When you are finished, press the ON/OFF trigger again, to switch off the appliance.
- Once turned off, charge the appliance.

USING THE ACCESSORIES

Motorized floor head

Attach the motorized floor head (A) to the extension tube (B). Connect the extension tube to the main body (C).



Note: to detach the extension tube from either the floor head or the main body, press and hold the release button on the end of the extension tube connecting the attachment. While holding the button, gently but firmly disconnect the attachment.

Floor Head Brushes

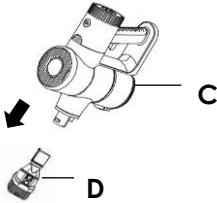
The motorized floor head can be used with 2 different brushes: the direct driver brush and the soft roller brush.

The direct driver brush is better suited for carpets and deep cleaning, while the soft roller brush is ideal for gentle cleaning on hard floors.

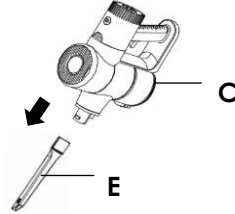
Furniture Brush and Crevice Tool

When using as a handheld vacuum, attach the furniture brush (D) or the crevice tool (E) to the main body (C).

Furniture Brush

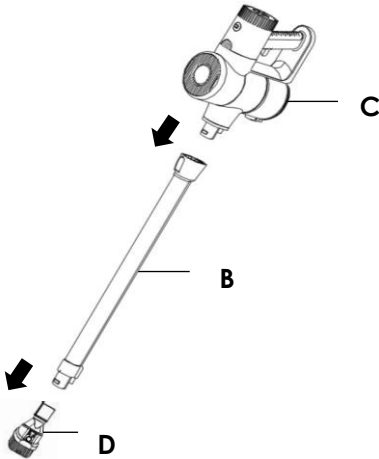


Crevice Tool

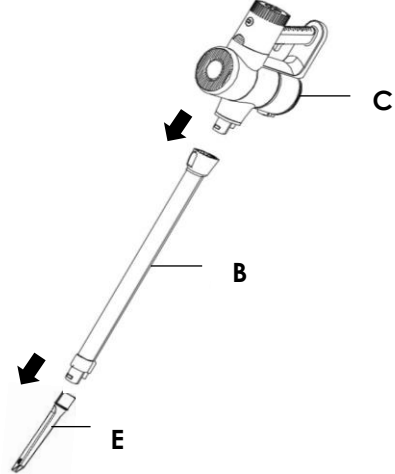


When using with the extension tube, attach the furniture brush (D) to the extension tube (B). Attach the extension tube to the main body (C).

Furniture Brush



Crevice Tool

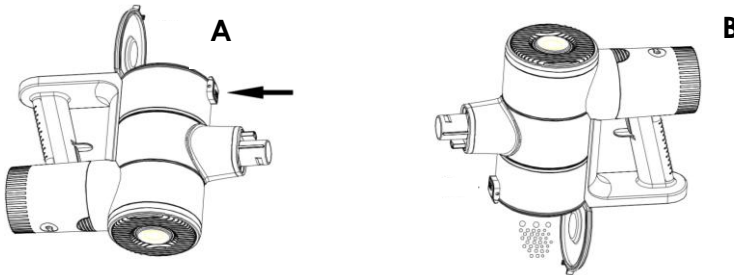


Note: To disconnect the furniture brush or crevice tool, gently but firmly pull the attachment from the main body or the extension tube.

CLEANING AND MAINTENANCE

Emptying the dust container

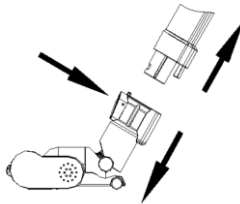
1. Make sure the vacuum is off.
2. Remove the battery and all attachments from the main body.
3. Turn the vacuum cleaner so that the bottom lid is facing upwards.
4. Place on a flat surface. Press the release button to open the bottom lid **(A)**.
5. Dispose of the debris by turning the unit over a trashcan **(B)**. If required, use your hand to remove any waste sticking to the container.



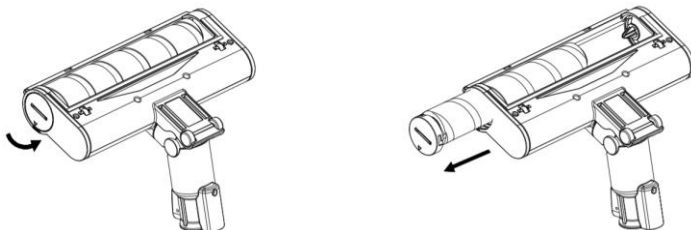
6. Close the bottom lid until it clicks into place.

Cleaning the Motorized Floor Head and Brushes

1. Make sure the vacuum is off.
2. Hold the release button on the floor head and disconnect the motorized floor head from the extension tube.



- Using flathead screwdriver or coin, turn screw to the 'unlock' position. Disassemble brush roll for cleaning and reassemble after all parts are cleaned.

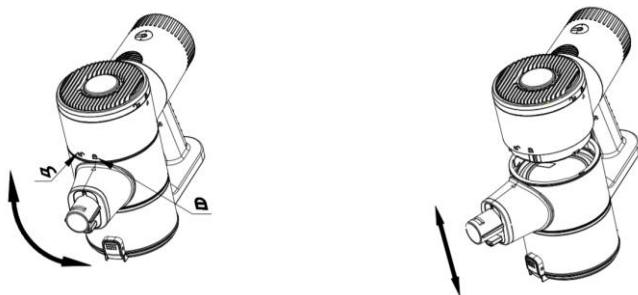


Note: The brush roll is washable. Ensure it is completely dried before reassembling.

Cleaning the Filters

Microfiber filter and filter screen

- Remove the dust cup by twisting to the "unlock" position. Twist the dust cup and remove. It is recommended to place the unit on flat surface, using two hands to more easily disassemble.



2. Lift the microfiber filter out. Twist the filter screen and remove.

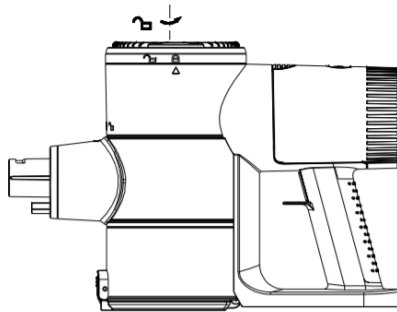


3. Rinse and dry the filters THOROUGHLY.
4. Once completely dried, reassemble.

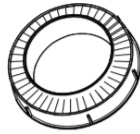
Note: It is recommended to replace the microfiber filter approximately every 3 months.

HEPA Filter

1. Remove the filter cover located on top of the main body by turning counterclockwise.



2. Lift out post-motor HEPA filter.



3. Shake to remove dust. Wash the filter under running cold water.
4. Completely dry the filter before assembling.

Note: It is recommended to wash the HEPA filter after six months of regular use, to maintain the vacuum's performance. If the HEPA filter becomes heavily soiled, it is recommended to replace with a new filter.

TROUBLESHOOTING

ISSUE	POSSIBLE REASON	POSSIBLE SOLUTION
Indicator lights on the floor head are flickering	<ol style="list-style-type: none"> 1. The rolling bar is wrapped 2. Temperature is too high or low 	<ol style="list-style-type: none"> 1. Clean the rolling brush 2. Move the vacuum to suitable temperature
The floor head does not work	The floor head is blocked by debris or hair	Ensure that no hair or other thread is trapped around the brush and check brush area for larger debris
Running time shortened	<ol style="list-style-type: none"> 1. Battery needs to be replaced 2. Ambient temperature is too high or too low 3. Battery is not fully charged 	<ol style="list-style-type: none"> 1. Contact the manufacturer to replace the battery at the user's own cost 2. Move the vacuum to suitable temperature 3. Charge the battery

<p>The vacuum has no suction power</p>	<ol style="list-style-type: none"> 1. The dust cup is full 2. The filter is blocked 3. Suction inlet of brush or other accessory is blocked 4. Parts of the appliance is not fully dried after cleaning 	<ol style="list-style-type: none"> 1. Clean the dust cup after use to prevent build ups 2. Remove any dust or debris from the filter 3. Check for blockages at brush and other attachment points 4. Ensure that all components are properly dried after washing
<p>All indicator lights on main body flicker</p>	<p>The filter or duct are blocked</p>	<p>Clean the dust filter, dust cup and air duct</p>
<p>Not charging</p>	<p>Ambient temperature when charging is too low or too high</p>	<p>Charge the machine under the right temperature environment (5°C - 40°C)</p>

WARRANTY

We suggest that you complete and return the enclosed Product Registration Card promptly to facilitate verification of the date of original purchase. However, return of the Product Registration Card is not a condition of these warranties. You can also fill out this warranty card online, at the following address: www.KALORIK.com

This KALORIK product is warranted in the U.S.A. and in Canada for 1 year from the date of purchase against defects in material and workmanship. This warranty is not transferable. Keep the original sales receipt. Proof of purchase is required to obtain warranty performance.

During this period, if the KALORIK product, upon inspection by KALORIK, is proven defective, it will be repaired or replaced, at Kalorik's option, without charge to the customer. If a replacement product is sent, it will carry the remaining warranty of the original product.

This warranty does not apply to any defect arising from a buyer's or user's misuse of the product, negligence, failure to follow KALORIK instructions noted in the user's manual, use on current or voltage other than that stamped on the product, wear and tear, alteration or repair not authorized by KALORIK, or use for commercial purposes. There is no warranty for glass parts, glass containers, filter basket, blades and agitators, and accessories in general. There is also no warranty for parts lost by the user.

ANY WARRANTY OF MERCHANTABILITY OR FITNESS WITH RESPECT TO THIS PRODUCT IS ALSO LIMITED TO THE ONE YEAR LIMITED WARRANTY PERIOD.

Some states do not allow limitation on how long an implied warranty lasts or do not allow the exclusion of incidental or consequential damages, so the above limitations may not apply to you. This warranty gives you specific legal rights, and you may also have other rights which vary from state to state.

If the appliance should become defective within the warranty period and more than 30 days after date of purchase, do not return the appliance to the store: often, our Customer Service Representatives can help solve the problem without having the product serviced. If

servicing is needed, a Representative can confirm whether the product is under warranty and direct you to the nearest service location.

If this is the case, bring the product, or send it, postage prepaid by the user (all Kalorik customers are responsible for the initial shipment back to the warranty center), along **with proof of purchase** and a **return authorization number** indicated on the outer package, given by our Customer Service Representatives. Send to the authorized KALORIK Service Center (please visit our website at www.KALORIK.com or call our Customer Service Department for the address of our authorized KALORIK Service Center).

When sending the product, please include a letter explaining the nature of the claimed defect.

If you have additional questions, please call our Customer Service Department (please see below for complete contact information), Monday through Thursday from 9:00am - 5:00pm (EST) and Friday from 9:00am - 4:00pm (EST). Please note hours are subject to change.

If you would like to write, please send your letter to:

KALORIK Customer Service Department

Team International Group of America Inc.
16175 NW 49th Avenue
Miami Gardens, FL 33014 USA

Or call:

Toll Free: +1 888-521-TEAM / +1 888-KALORIK

Only letters can be accepted at this address above. Shipments and packages that do not have a return authorization number will be refused.

CONSIGNES DE SÉCURITÉ

ATTENTION : Afin de réduire les risques d'incendie, de décharges électriques et de blessures, lors de l'utilisation de votre appareil, veuillez à toujours respecter des mesures de précaution élémentaires, notamment :

1. **Lisez toutes les instructions avant l'utilisation.**
2. Utilisez l'appareil uniquement pour l'usage prévu.
3. Ne placez pas l'aspirateur à proximité de sources de chaleur, de radiations ou de cigarettes allumées.
4. N'utilisez pas l'appareil pour retirer les objets suivants.
 - a. Tous les liquides tels que l'eau et les solvants.
 - b. La chaux, le ciment, les cendres et autres matériaux de construction.
 - c. Les objets chauds, tels que les mégots de cigarettes.
 - d. Débris tranchants, tels que des fragments de verre, etc.
 - e. Les articles inflammables et explosifs, tels que l'essence ou les produits alcoolisés.
5. Ne laissez pas les enfants jouer avec ou utiliser l'aspirateur pour éviter les accidents.
6. Ne laissez pas l'aspirateur en marche sans surveillance.
7. L'alimentation électrique doit être coupée pendant le nettoyage, l'entretien ou le rangement.
8. Ne tirez pas l'adaptateur à partir du cordon. Tenez la partie en plastique de la fiche pour l'enlever de la prise.
9. La tension d'alimentation doit correspondre à celle de la tension de charge de l'aspirateur.
10. Tenez le cordon d'alimentation à l'écart des objets pointus et tranchants pour éviter de l'endommager.
11. Pour éviter les incendies, n'immergez pas l'aspirateur dans l'eau, et ne l'exposez pas à des appareils de chauffage.
12. Ne faites pas traîner le cordon d'alimentation lorsque vous déplacez la station de charge.
13. Dans les cas ci-dessous, n'utilisez pas l'aspirateur et envoyez-le immédiatement à l'installation de maintenance agréée la plus proche si :

- a. L'aspirateur est tombé et a été endommagé en conséquence
 - b. Le cordon d'alimentation est endommagé
14. Arrêtez de faire fonctionner l'aspirateur si l'entrée d'aspiration est bloquée pour éviter des dommages (tels que la surchauffe) au moteur ou des déformations de la pièce plastique de l'aspirateur causées par la surchauffe du moteur.
15. Retirez la batterie lorsqu'elle n'est pas utilisée pendant une période prolongée et avant le nettoyage.
16. Ne laissez pas les bornes de la batterie entrer en contact avec des objets métalliques lors du transport ou du stockage de la batterie. N'essayez jamais d'ouvrir ou de modifier la batterie pour quelque raison que ce soit.

GARDEZ CES INSTRUCTIONS USAGE DOMESTIQUE UNIQUEMENT

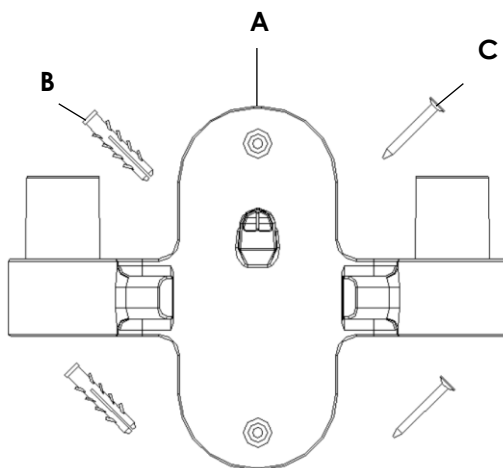
DESCRIPTION DES ÉLÉMENTS

Voir pages 2 et 3.

AVANT LA PREMIÈRE UTILISATION

Installation de la station de recharge murale

- Choisissez un emplacement proche de la prise de courant pour installer le support mural. Assurez-vous qu'aucune tuyauterie (gaz, eau, air) ou câble, fil ou conduit électrique ne se trouve directement derrière la zone de montage. Il est recommandé d'utiliser des vêtements, lunettes et matériaux de protection lors de l'installation de la station de recharge.
- Repérez un point suffisamment haut sur le mur pour permettre au tube et à la brosse de pendre librement.
- Placez le support mural (**A**) contre le mur et utilisez un crayon pour marquer les trous de perçage.
- Percez les trous (avec une mèche de perforateur de 1/4 po) et insérez les ancrages pour cloisons sèches (**B**).
- Insérez les vis (**C**) dans les trous du support et serrez-les jusqu'à ce qu'elles soient bien fixées.



Assemblage de l'appareil

1. Faites glisser le tube sur le corps principal jusqu'à ce qu'il s'enclenche

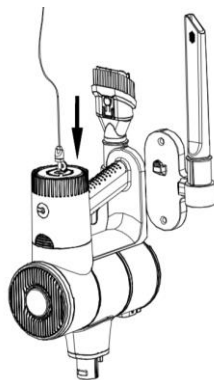
2. Poussez le tube dans la brosse jusqu'à ce qu'il s'enclenche
3. Les accessoires peuvent être connectés au tube de rallonge pour atteindre les endroits plus élevés et difficiles d'accès.

Chargement de l'appareil

La batterie doit être complètement chargée avant la première utilisation. La batterie peut être chargée soit en plaçant l'appareil sur le support mural, en chargeant le corps principal horizontalement, soit en chargeant la batterie seule.

Chargement sur le support mural

1. Placez le corps principal sur le support mural
2. Soulevez la languette située au centre de la batterie pour brancher le cordon adaptateur dans la prise de charge.

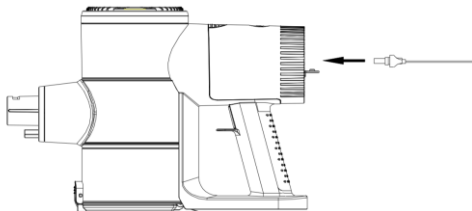


3. Une fois connecté, les indicateurs de puissance clignoteront pendant que l'appareil se charge. Une fois la charge terminée, tous les voyants lumineux seront bleus continus.

Chargement horizontal du corps principal

1. Placez le corps principal sur une surface plane.
2. Soulevez la languette située au centre du pack de la batterie pour brancher le cordon de l'adaptateur dans la prise de charge.

3. Lorsque l'appareil est connecté, les indicateurs d'alimentation clignoteront pendant la charge.

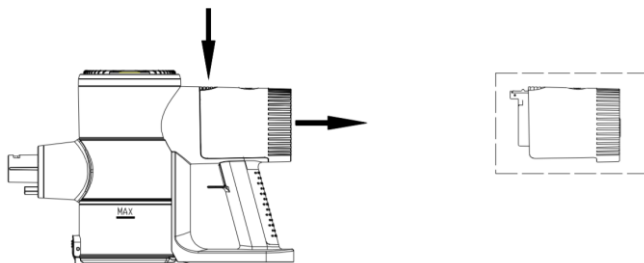


4. Une fois la batterie complètement chargée, tous les voyants lumineux apparaîtront en bleu continu.

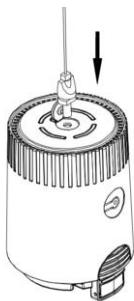
Note : Lors d'une charge horizontale, il est recommandé de charger l'appareil sans la brosse et le tube de rallonge pour maintenir la stabilité du corps principal.

Chargement de la batterie seule

1. Retirez le pack de la batterie du corps principal en appuyant sur le bouton de déverrouillage.



2. Soulevez la languette située au centre du pack de la batterie pour brancher le cordon de l'adaptateur dans la prise de charge.



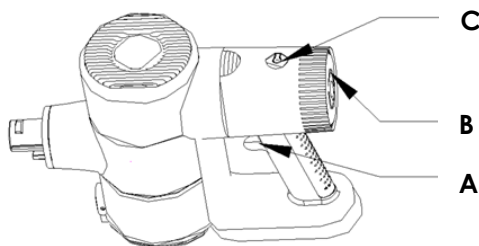
3. Une fois connecté, les voyants lumineux clignoteront pendant que l'appareil se charge.

Note :

- Temps de chargement général : 4 à 5 heures
- Mode Haute Puissance (sans accessoire motorisé): environ 10 minutes
- Mode Éco (sans accessoire motorisé): environ 40 minutes
- Le rechargement peut prendre plus de temps dans les circonstances suivantes :
 - La température ambiante est supérieure à 30 °C;
 - Rechargement immédiatement après l'arrêt de l'aspirateur.
- Rechargez toujours l'aspirateur après chaque utilisation, quelle que soit la durée d'utilisation.
- Débranchez l'aspirateur lorsqu'il n'est plus en train de se recharger.
- Pour garantir une plus longue durée de vie de la batterie, l'aspirateur doit être chargé au moins une fois tous les deux mois. Si l'aspirateur n'est pas utilisé pendant plus de deux mois, il est recommandé de le laisser débranché de l'alimentation électrique.
- L'aspirateur ou l'adaptateur peuvent devenir chauds pendant le chargement. Prenez les précautions nécessaires pour éviter tout contact.

FONCTIONNEMENT

- Une fois que l'appareil est complètement chargé, retirez le corps principal du cordon de l'adaptateur.
- Raccordez les accessoires souhaités à l'aspirateur (voir la section UTILISATION DES ACCESSOIRES pour plus de détails).
- Allumez l'aspirateur en appuyant sur le bouton MARCHE / ARRÊT (**A**). Les voyants lumineux (**B**) se mettront en marche, indiquant le niveau de la batterie.
- Sélectionnez la puissance d'aspiration souhaitée en appuyant sur le bouton MAX / MIN (**C**).

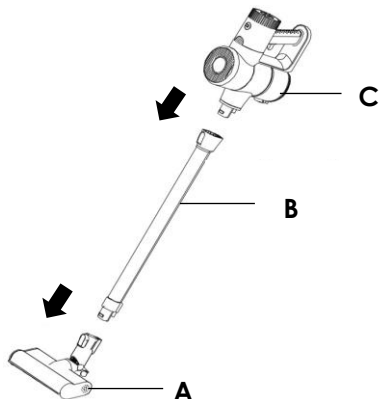


- Lorsque vous avez terminé, appuyez à nouveau sur le bouton MARCHE / ARRÊT pour éteindre l'appareil.
- Une fois éteint, rechargez l'appareil.

UTILISATION DES ACCESSOIRES

Brosse à plancher motorisée

Fixez la brosse à plancher motorisée (A) au tube de rallonge (B).
Raccordez le tube de rallonge au corps principal (C).



Note : pour détacher le tube de rallonge de la brosse à plancher ou du corps principal, appuyez et maintenez enfoncé le bouton de dégagement situé à l'extrémité du tube de rallonge reliant l'accessoire. Tout en maintenant le bouton enfoncé, débranchez doucement mais fermement l'accessoire.

Rouleaux de brosse à plancher

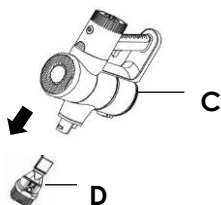
La tête de sol motorisée peut être utilisée avec 2 brosses différentes : la brosse à entraînement direct et la brosse rouleau doux.

La brosse à entraînement direct est mieux adaptée aux tapis et au nettoyage en profondeur, tandis que la brosse à rouleau souple est idéale pour le nettoyage en douceur des sols durs.

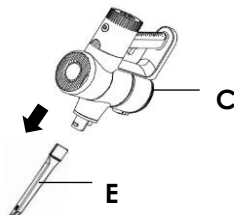
Brosse à meubles et suceur plat

Si vous utilisez l'appareil comme un aspirateur à main, fixez la brosse pour meubles (D) ou le suceur plat (E) au corps principal (C).

Brosse à meubles

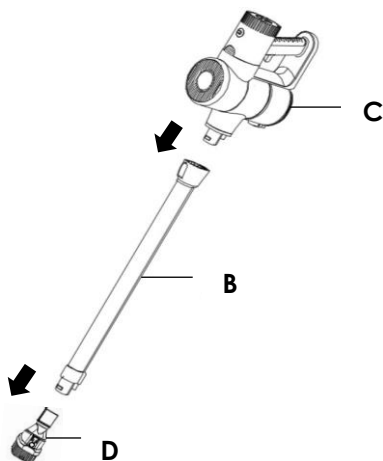


Suceur plat

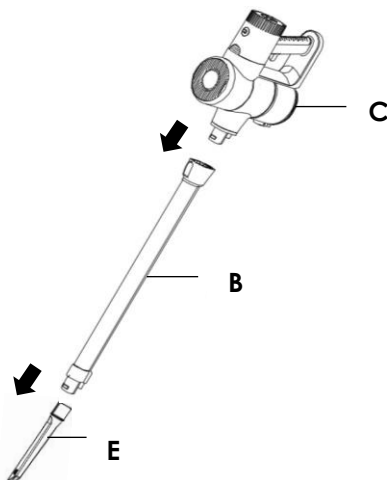


Pour les utiliser avec le tube de rallonge, fixez la brosse à meubles (D) au tube de rallonge (B). Fixez le tube de rallonge au corps principal (C).

Brosse à meubles



Suceur plat

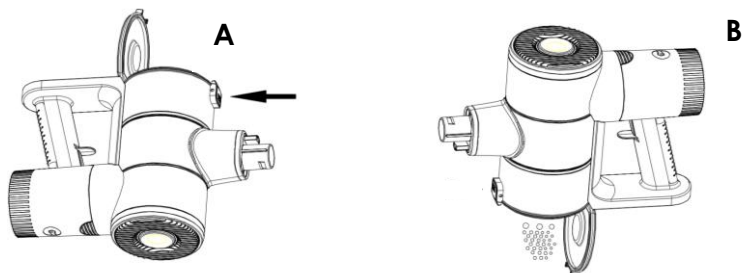


Note : pour déconnecter la brosse à meubles ou le suceur plat, tirez doucement mais fermement l'accessoire du corps principal ou du tube de rallonge.

CLEANING AND MAINTENANCE

Vider le réservoir à poussière

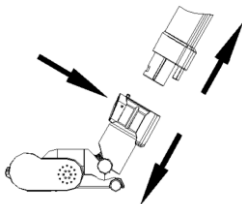
1. Assurez-vous que l'aspirateur est éteint.
2. Retirez la batterie et toutes les pièces jointes du corps principal.
3. Tournez l'aspirateur de sorte que le couvercle inférieur soit orienté vers le haut.
4. Placez l'aspirateur sur une surface plane. Appuyez sur le bouton de déverrouillage pour ouvrir le couvercle inférieur (**A**).
5. Éliminez les débris en retournant l'aspirateur sur une poubelle (**B**). Si nécessaire, utilisez votre main pour retirer les déchets qui collent au récipient.



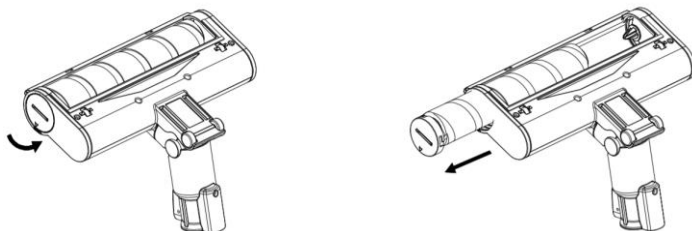
6. Fermez le couvercle inférieur jusqu'à ce qu'il s'enclenche en place.

Nettoyage de la brosse à plancher motorisée

1. Assurez-vous que l'aspirateur est éteint.
2. Maintenez le bouton de déclenchement de la brosse de sol et débranchez la brosse à plancher et débranchez la brosse à plancher motorisée du tube de rallonge.



3. À l'aide d'un tournevis plat ou d'une pièce de monnaie, tournez la vis en position « déverrouillée ». Démontez le rouleau de la brosse pour le nettoyer et remontez après avoir nettoyé toutes les pièces.

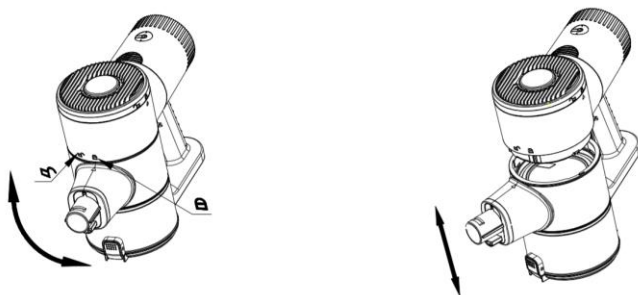


Note : La brosse en rouleau est lavable. Assurez-vous qu'elle est complètement sèche avant de la remonter.

Nettoyage des filtres

Filtre en microfibres et écran filtrant

1. Retirez le récipient à poussière en le faisant tourner jusqu'à la position « déverrouillée ». Tournez le récipient à poussière et retirez-le. Il est recommandé de placer l'appareil sur une surface plane, en utilisant les deux mains pour le démonter plus facilement.



2. Soulevez le filtre en microfibres. Tournez l'écran filtrant et retirez-le.

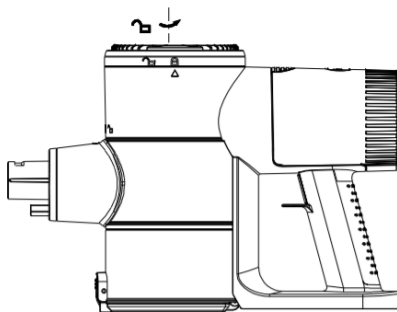


3. Rincez et séchez les filtres en profondeur.
4. Une fois complètement séchés, réassembler.

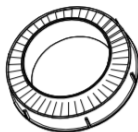
Note : Il est recommandé de remplacer le filtre en microfibres environ tous les 3 mois.

Filtre HEPA

1. Retirez le couvercle du filtre situé sur le dessus du corps principal en le tournant dans le sens inverse des aiguilles d'une montre.



2. Soulevez le filtre HEPA post-moteur.



3. Secouer pour enlever la poussière. Lavez le filtre à l'eau froide courante.
4. Séchez complètement le filtre avant de l'assembler.

Note : Il est recommandé de laver le filtre HEPA après six mois d'utilisation régulière, pour maintenir la performance de l'aspirateur. Si le filtre HEPA est très sale, il est recommandé de le remplacer par un nouveau filtre.

DÉPANNAGE

PROBLÈME	RAISON POSSIBLE	SOLUTION POSSIBLE
Les voyants lumineux de la brosse à plancher clignotent	<ol style="list-style-type: none"> 1. La barre à rouleaux est prise 2. La température est trop élevée ou trop basse 	<ol style="list-style-type: none"> 1. Nettoyez le rouleau de la brosse 2. Déplacez l'aspirateur à une température appropriée
La brosse à plancher ne fonctionne pas	La brosse à plancher est bloquée par des débris ou des cheveux	Assurez-vous qu'aucun cheveu ou autre fil n'est coincé autour de la brosse et vérifiez que la brosse ne contient pas de gros débris
La durée de fonctionnement est réduite	<ol style="list-style-type: none"> 1. La batterie doit être remplacée 2. La température ambiante est trop élevée ou trop basse 3. La batterie n'est pas complètement chargée 	<ol style="list-style-type: none"> 1. Contactez le fabricant pour remplacer la batterie aux frais de l'utilisateur 2. Déplacez l'aspirateur à une température appropriée 3. Chargez la batterie

L'aspirateur n'a pas de puissance d'aspiration	<ol style="list-style-type: none"> 1. Le bac à poussière est plein. 2. Le filtre est bloqué 3. L'entrée d'aspiration de la brosse ou d'un autre accessoire est bloquée 4. Des parties de l'appareil ne sont pas complètement séchées après le nettoyage 	<ol style="list-style-type: none"> 1. Nettoyez le bac à poussière après utilisation pour éviter les accumulations 2. Enlevez toute poussière ou tout débris du filtre 3. Vérifiez s'il y a des blocages au niveau de la brosse et des autres points d'attache 4. Veillez à ce que tout soit bien séché après le nettoyage
Tous les voyants du corps principal clignotent	Le filtre ou le conduit sont bouchés	Nettoyez le filtre à poussière, le bac à poussière et le conduit d'air
L'aspirateur ne charge pas	La température ambiante lors du chargement est trop basse ou trop élevée	Chargez l'appareil dans un environnement à la bonne température (5 °C - 40 °C)

GARANTIE

Nous vous suggérons de remplir et de nous renvoyer rapidement la Carte d'Enregistrement Produit ci-jointe afin de faciliter la vérification de la date d'achat. Cependant, le renvoi de la Carte d'Enregistrement Produit n'est pas une condition indispensable à l'application de la présente garantie. Vous pouvez aussi remplir cette carte de garantie en ligne à l'adresse suivante : www.KALORIK.com.

A partir de la date d'achat, ce produit KALORIK est garanti un an, sur les territoires des Etats-Unis et du Canada, contre les défauts matériels et de fabrication. Cette garantie n'est pas transférable. Conservez la preuve d'achat originelle. Une preuve d'achat est exigée pour obtenir l'application de la garantie.

Durant cette période, le produit KALORIK qui, après inspection par KALORIK, s'avère défectueux, sera réparé ou remplacé, au choix de KALORIK, sans frais pour le consommateur. Si un produit de remplacement est envoyé, c'est la garantie restante du produit original qui s'appliquera.

La présente garantie ne s'applique pas aux défauts dus à une mauvaise utilisation de la part de l'acheteur ou de l'utilisateur, à une négligence, au non-respect des consignes du manuel d'utilisation KALORIK, à une utilisation sur un circuit électrique au voltage différent de celui renseigné sur le produit, à une usure normale, à des modifications ou réparations non autorisées par KALORIK, ou par un usage à des fins commerciales. Il n'existe pas de garantie pour les parties en verre, récipients en verre, filtres, paniers, lames et accessoires en général. Il n'existe également pas de garantie pour les pièces perdues par l'utilisateur.

Toute garantie de valeur commerciale ou d'adaptabilité à ce produit est également limitée à la garantie d'un an.

Certains états ne limitent pas la longueur de la garantie tacite ou n'autorisent pas l'exclusion de dommages-intérêts accessoires ou indirects, les restrictions ci-dessus peuvent donc ne pas s'appliquer à vous. Cette garantie vous donne des droits légaux particuliers, et certains droits peuvent varier d'un état à l'autre.

Si l'appareil devait présenter un défaut durant la période de garantie et plus de 30 jours après l'achat, ne ramenez pas l'appareil au magasin : souvent, notre Service Clientèle peut aider à résoudre le problème sans que le produit ne doive être réparé. Si une réparation est nécessaire, un représentant peut confirmer si le produit est sous garantie et vous rediriger vers notre centre de réparation.

Le cas échéant, ramenez le produit (ou envoyez-le, port prépayé), ainsi qu'**une preuve d'achat**, en mentionnant **le numéro d'autorisation de retour**, indiqué par notre service clientèle, au service après-vente KALORIK agréé (visitez notre site internet www.KALORIK.com ou appelez notre département Service Clientèle pour obtenir l'adresse du service après-vente KALORIK agréé).

Si vous envoyez le produit, veuillez y joindre une lettre expliquant la nature du défaut.

Si vous avez des questions complémentaires, veuillez appeler notre département Service Clientèle (voyez plus bas pour les coordonnées complètes), du Lundi au Jeudi de 9h à 17h (EST) et le Vendredi de 9h à 16h (EST). Veuillez noter que les heures sont sujettes à modification.

Si vous souhaitez nous écrire, adressez votre courrier à :

KALORIK Customer Service Department

Team International Group of America Inc.

16175 NW 49th Avenue

Miami Gardens, FL 33014 USA

Ou appelez (Gratuitement des Etats-Unis): +1 888-521-TEAM ou +1 888-KALORIK.

Seules les lettres seront acceptées à l'adresse ci-dessus. Les envois et colis n'ayant pas de numéro d'autorisation de retour seront refusés.

NOTES

**For questions please contact:
Pour toute question, veuillez contacter:**

KALORIK Customer Service / Service Après-Vente

Team International Group of America Inc.
16175 NW 49th Avenue
Miami Gardens, FL 33014 USA

Toll Free / Numéro Gratuit:
+1 888-521-TEAM / +1 888-KALORIK

www.KALORIK.com



Ref VC 47706

User manual content and recipes courtesy of Team International Group – Do not reproduce without consent of the authors - All rights reserved.

Contenu du guide d'utilisation et recettes fournis par Team International Group - Ne pas reproduire sans le consentement des auteurs - Tous droits réservés.

KALORIK®
Since 1930