

SENCOR®

SES 6020BK



ESPRESSO COFFEE MACHINE WITH A BUILT-IN GRINDER

Translation of the original manual

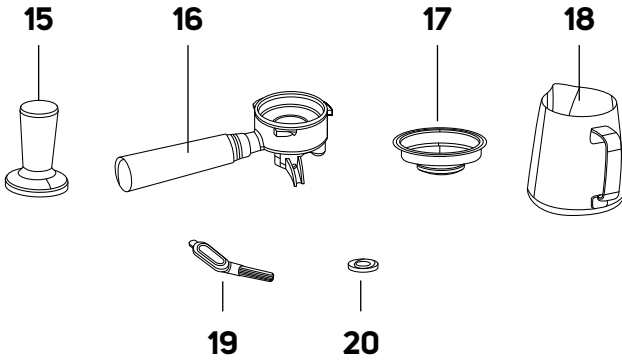
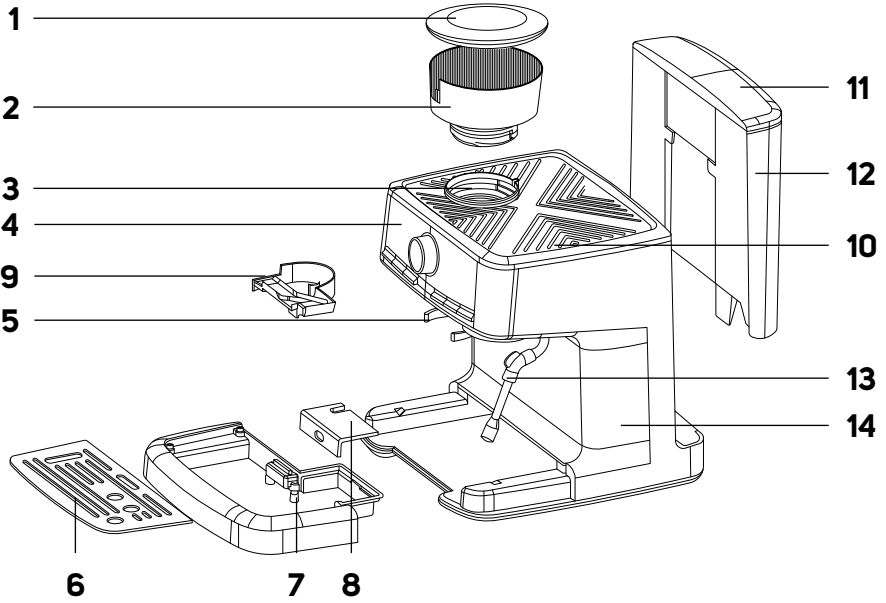


SENCOR®

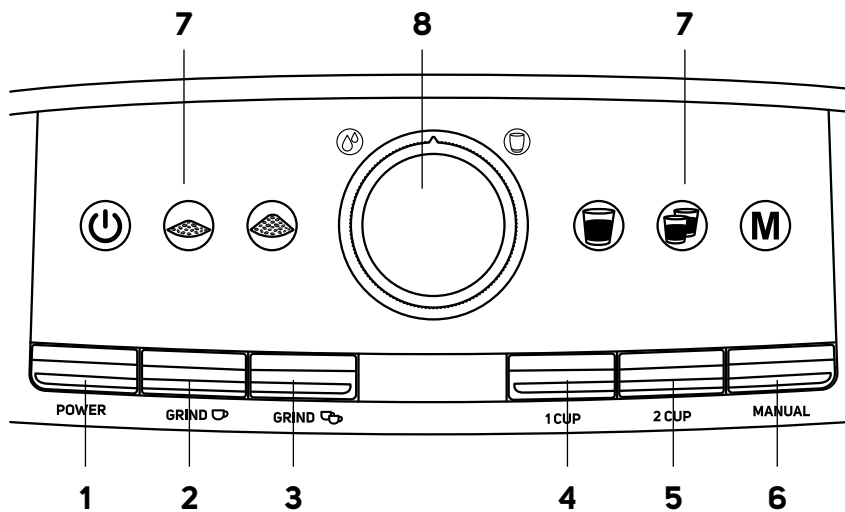
SES 6020BK



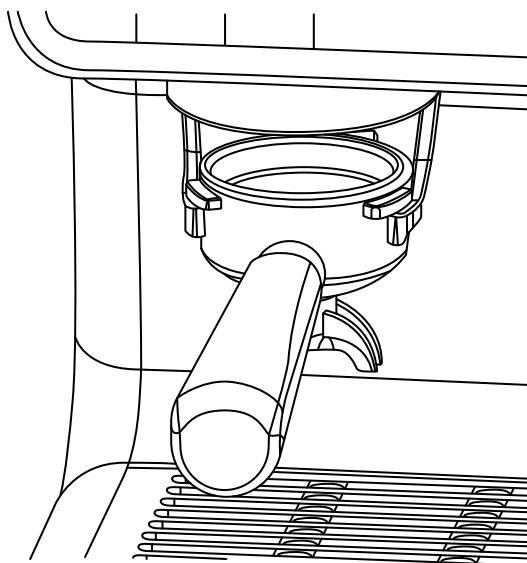
A

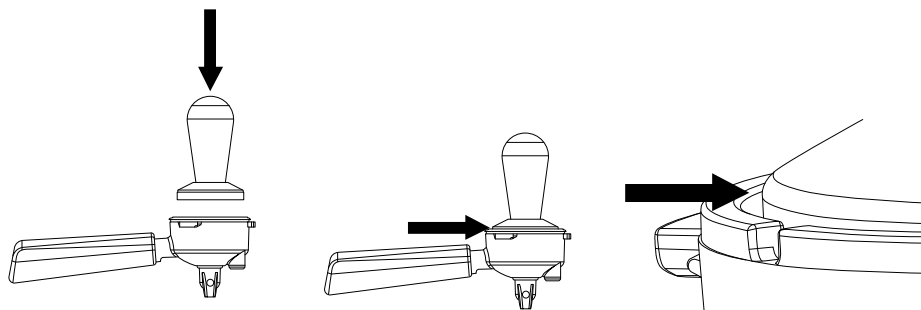
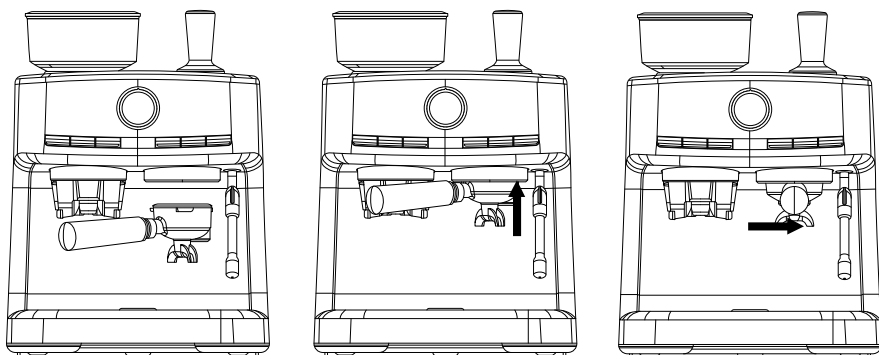
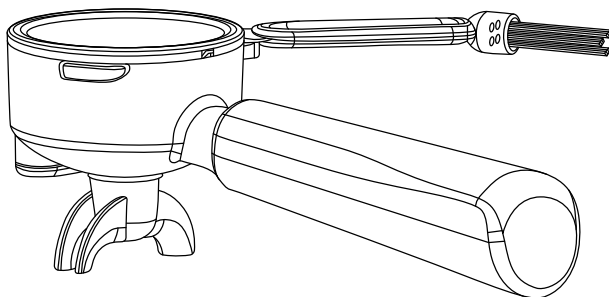


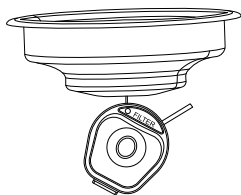
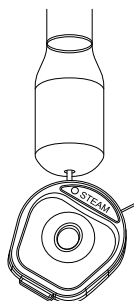
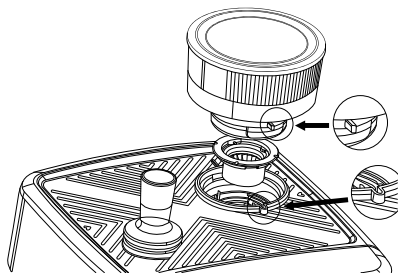
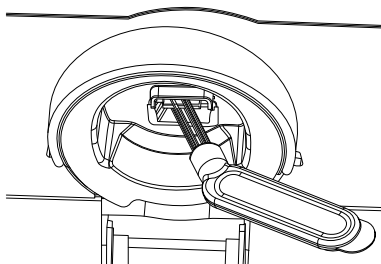
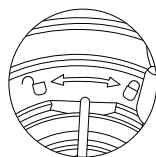
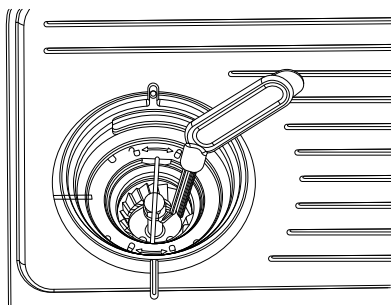
B



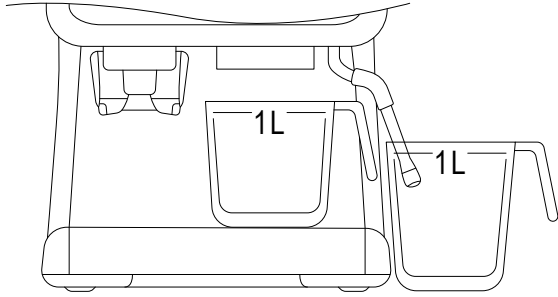
C



D**E****F**

G**G1****G2****H****H1****H2****H3**

I



Important Safety Instructions

READ CAREFULLY AND STORE FOR FUTURE USE.

- This appliance is not to be used by children. Keep this appliance and its power cable out of the reach of children.
- The appliance may be used by persons with reduced physical, sensory or mental abilities or lack of experience and knowledge, provided they are supervised or have been instructed on the safe use of the appliance and understand the potential hazards.
- Children must not play with the appliance.
- Cleaning and maintenance must not be performed by unsupervised children.
- Keep the appliance and its power cord out of reach of children younger than 8 years of age.
- If the mains cable is damaged, have it replaced in a professional service centre in order to prevent a dangerous situation. Never use the appliance if the power cable is damaged.
- Always clean the parts of the appliance that come into contact with food with clean warm water and a little neutral dishwashing liquid, rinse them with clean water and wipe dry.

**WARNING:**

Incorrect use may lead to injury.

Always disconnect the appliance from the power socket if you are leaving it unattended and before assembly, disassembly or cleaning.

- This appliance is intended for household use. It is also suitable for personal non-commercial use in spaces such as:
 - kitchenettes in stores, offices and other workplaces;
 - agriculture;
 - hotels, motels and other residential spaces;
 - bed and breakfast establishments.
- The appliance must not be immersed in water when it is being cleaned.

**WARNING:**

The filling hole must not be opened during use.

**WARNING:**

Prevent the plug from getting wet.

- The outer surface of the appliance heats up during use and may be hot for some time after use. Be very careful.
 - The appliance must not be placed in a cabinet when in use.
-

Additional Important Safety Instructions for Use of the Appliance

- Before connecting the appliance to a power socket, make sure that its nominal voltage indicated on the rating plate matches the electrical voltage of the socket.
- Connect the appliance only to a properly earthed socket. For safety reasons, we do not recommend using adaptors or extension cables.
- Do not place the appliance on windowsills, sink drain trays or unstable surfaces. Always place the appliance on a stable, flat and dry surface.
- Do not place the appliance on an electric or gas stove or near an open flame.
- Never use the appliance in the immediate vicinity of a bath, shower or swimming pool.
- The appliance is designed for making coffee or tea (only by dispensing hot water). Use the appliance only for its intended purpose.
- Do not use the appliance outdoors.
- Use the appliance according to the instructions in this user manual. Failure to do so may result in injury, damage to the appliance, or a hazardous situation.
- Leave at least 15 cm of free space around and above the appliance to ensure proper air circulation during operation.
- Only use the top surface of the appliance to warm cups, the portafilter or filters. Do not use it to store other items.
- Fill the water tank with clean, cold water. Do not pour heated water or other liquids into the tank or insert any objects into it.
- Never fill the coffee bean hopper with ground or instant coffee, caramelised or otherwise specially treated coffee beans, cocoa beans or other items that may damage the appliance.
- Before turning on the appliance, make sure that:
 - the drip tray and grille are in place;
 - the water tank is filled with a sufficient amount of water and is properly in place. The water level must not exceed the maximum mark;
 - the coffee bean hopper is correctly installed in the appliance and contains coffee beans.
- Never start, use or switch on the appliance with an empty water tank or an empty coffee bean hopper. This can damage the appliance.
- Take extra care when operating the appliance to avoid scalding with hot water or steam.
- The hot water or steam dispenser may only be used continuously for a maximum of 99 seconds.
- Regularly check the water level in the tank while using the appliance. If the water level drops below the minimum mark, refill the tank according to the instructions in this manual. Before adding water, first turn the appliance off and disconnect it from the power socket.
- Use the built-in coffee grinder only for grinding coffee beans. Do not use it for any other purposes.
- Ensure that no hair or other items enter the grinder area during the grinding process. The coffee bean hopper lid should always be properly closed unless you are topping up the coffee beans.
- Be careful when handling the full drip tray. The water can be hot and there is a risk of scalding or burns.
- The appliance is equipped with a built-in thermal fuse that switches it off when the pump is idling to prevent damage. If such a situation occurs, unplug the power cable and allow the appliance to cool down for at least 30 minutes. Then you can use it again.
- Do not move the appliance with a cup of coffee placed on the drip tray grid or with cups placed on the surface designated for warming them.
- Ensure that the power cable does not come into contact with hot surfaces.
- Do not leave the power cord hanging over the edge of a table or a work bench.
- Unplug the appliance from the power socket by pulling on the plug, not the power cable. Otherwise, you may damage the mains cable or the socket.
- Make sure that the power cable and plug do not come into contact with water or other fluids.
- To avoid the risk of electric shock, do not repair or modify the appliance yourself. All repairs should be carried out by an authorised service centre. Tampering with the appliance may result in the loss of your legal rights regarding faulty performance or warranty for quality.

EXPLANATION OF SYMBOLS PLACED ON THE PRODUCT OR IN THE ACCOMPANYING DOCUMENTATION



The product meets all the basic requirements of the applicable EU directives.



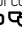
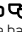


This symbol on products or accompanying documents means that used electric or electronic products must not be added to ordinary municipal waste.

- Thank you for purchasing our SENCOR product; we hope it will serve to your satisfaction.
- Prior to using this appliance, please read the user manual thoroughly, even in cases when you are already familiar with the use of similar types of appliances. Use the appliance only as described in this user manual. Keep the manual for future reference. If you pass the appliance on to another person, ensure that this user manual is included.
- Carefully unpack the appliance and make sure not to discard any part of the packaging material until you have removed all its components. It is recommended that you keep the original packaging, packing material, receipt and confirmation of the extent of the seller's liability or warranty certificate at least for the duration of the legal right to file a defect claim or the quality warranty. When transporting the appliance, we recommend repackaging it in the original box provided by the manufacturer.

DESCRIPTION OF THE COFFEE MACHINE

A1 Coffee bean hopper lid	A11 Lid of the water tank with built-in handle
A2 Coffee bean hopper	A12 Water tank
A3 Built-in grinder	A13 Rotating steam nozzle
A4 Control panel	A14 Coffee machine body
A5 Portafilter holder	A15 Tamper
A6 Drip tray grid	A16 Portafilter
A7 Drip tray	A17 Filters for 1 cup and 2 cups
A8 Drip tray cover	A18 Stainless steel jug
A9 Storage box for accessories	A19 Cleaning brush
A10 Cup warming plate	A20 Cleaning tool

DESCRIPTION OF THE CONTROL PANEL

B1 POWER button to switch the coffee machine on/off	B5 2 CUP button to make 2 cups of Espresso
B2 GRIND  button for brewing 1 cup of coffee	B6 MANUAL button for manual coffee preparation
B3 GRIND  button for grinding double batches of coffee	B7 Operation icons
B4 1 CUP button to make 1 cup of Espresso	B8 Hot water and steam spout control  Hot water dispensing  Hot steam dispensing Centre position = off

INTENDED USE

- The Sencor SES 6020BK coffee machine is designed for preparing coffee beverages (Espresso, Americano, Cappuccino or Latte) using freshly roasted coffee beans. The coffee grinder is designed to grind freshly roasted coffee beans. The coffee machine's steam wand is used to dispense hot water and froth milk.

BEFORE FIRST USE

- Before first use, remove the appliance and its accessories from the packaging and discard all promotional labels and tags. Check that neither the appliance nor any of its components is damaged.
- Check that there are no stickers or foils left on the display.
- Make sure you have removed all accessories from the packaging.
- Wipe the outer surface of the appliance with a slightly dampened sponge and then wipe dry.
- Remove the water tank from the appliance. Remove the red plug from the water outlet, otherwise no water will be pumped into the coffee machine. Rinse it with clean water and a small amount of neutral

dishwashing detergent. Then thoroughly rinse with clean water, dry, and place it back into the coffee machine.

- Remove the drip tray and grille from the machine.
- Wash the drip tray with grid and storage box for accessories, portafilter, stainless steel filters and tamper in warm water with a little kitchen detergent using a soft sponge. Then rinse with clean water and dry.
- Wipe the outer surface of the coffee machine and the coffee bean hopper, including the lid, with a slightly damp and well-wrung sponge, dry with a clean cloth.
- Insert the water tank in to the rear of the appliance. Push gently so that it sits properly in its place.
- Insert the storage box into the coffee machine. Place the grid onto the drip tray and put it back into the coffee machine.
- Place the portafilter, stainless steel filters and the tamper on the top surface.

Positioning the coffee machine

- Place the coffee machine on a flat, dry and clean surface at a sufficient distance from the power socket.
- Ensure there is enough free space around it for manipulation, at least 15 cm on all sides.
- Do not place the coffee machine in a closed space when using it.

SETUP BEFORE USE

Drip tray

- The drip tray with a grid catches drops of brewed coffee when the portafilter is removed, hot water used to froth milk, and any spilled milk during frothing. Therefore, make sure that both parts are correctly installed and inserted into the appliance.
- We recommend emptying the appliance and washing the drip tray after each use. When washing, follow the instructions in the "CLEANING AND MAINTENANCE" section.



Note:

The drip tray is equipped with a fullness indicator. It is a float. When the liquid level in the drip tray pushes it up, the drip tray must be emptied.

Storage box

- The storage box (**A9**) with accessories (filter, cleaning brush and cleaning tool) is located behind the drip tray. Remove the drip tray to take out the storage box with accessories.

Warming the cups

- Once you turn on the coffee machine, the cup warming plate will automatically heat up. Place empty coffee cups upside down on to surface and let them warm up.

Filling the water tank

- The maximum capacity of the water tank is 2.5 l.
- The hopper lid forms one part with the handle. Pull out the handle to open the lid.
- Grasp the tank by the handle and lift it upwards.
- Fill it with cold potable water up to the maximum mark and insert it back. The moldings on the inner wall must fit the protrusions in the coffee machine.
- Then close the lid of the water tank. The water tank must be properly seated in place for water to be pumped into the internal system.
- The water you pour into the water tank should ideally be at room temperature (approximately 25 °C). Too cold water can negatively affect the final taste of the coffee beverage. Do not leave the remaining

water in the water tank for more than one day. For brewing quality fresh coffee, it is necessary to use fresh water. Otherwise, the final taste of the coffee drink may be adversely affected.



Warning:

Do not overflow the water tank. Never fill the water tank with warm, hot or sparkling water or liquids such as milk. Do not fill the water tank when it is inserted in the appliance. You risk splashing the appliance overflowing the water tank.

Adding coffee beans to the hopper

- Remove the hopper lid and pour fresh coffee beans into the hopper. Put the lid back on.
- The hopper is not suitable for storing coffee beans for a long period of time. If you do not plan to use the coffee machine for a long time, remove the hopper and pour the unused coffee beans into a suitable container. Store coffee beans in an airtight container in a cool and dry place.



Note:

The maximum capacity of the hopper is 250 g of coffee beans. Do not overflow it. Never fill the hopper with ground or instant coffee, caramelised or otherwise specially treated coffee beans, cocoa beans or other items that may damage the appliance.

Adjusting the grind coarseness

- The grinding coarseness is adjusted by turning the hopper clockwise or anticlockwise so that the line on the hopper is always aligned with the number on the grinding coarse scale.
- You can adjust the grinding coarseness in 30 levels: from 1 (finest) to 30 (coarsest).
- For espresso coffee, we recommend setting the grind level to 12–14. Adjust the grind size as needed.
- Adjust the grinding coarseness by one step at a time. The change of the settings will show after the second to third cup.
- If the coffee flows out very slowly, it means that the beans are ground too finely and a coarser grind should be set. If the coffee flows out too quickly, it means that the beans are ground too coarsely and a finer grind should be set.

TURNING THE COFFEE MACHINE ON

- Insert the mains cable plug into the mains socket.
- Press the **POWER** button, the coffee machine will turn on and starts to preheat. The icons of the **1 CUP**, **2 CUP**, **MANUAL** and hot water and steam icons will flash, indicating that the machine is heating up.
- Once the coffee machine is preheated, the control panel lights up.
- **When switching on for the first time, it is recommended to rinse the coffee machine for the first time with an inserted lever and a filter.** Place a smaller cup of approximately 100 ml under the lever and press the **2 CUP** button. Wait for the water to drain into the cup and the control panel will light up again. Pour out the water from the cup.
- Rinse the portafilter and filter basket under the running warm water and dry thoroughly.

PREPARATION FOR GRINDING COFFEE

Inserting and removing the filter

- Insert the selected stainless steel filter in the portafilter. Push gently so that the filter fits well into the hole in the portafilter.
- If you will be preparing one cup of coffee, insert a stainless steel filter for 1 cup. If you are preparing two cups of coffee, or a stronger espresso coffee, insert a stainless steel filter for 2 cups.
- Allow the filter and portafilter to cool down for a while before removing them. If the filter is difficult to take out, you can use a cutlery knife, which you insert between the edge of the filter and the edge of the


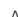


portafilter, and move the knife upwards to release the filter from the portafilter.



Warning:

Before removing the filter from the portafilter, make sure that both the filter and the portafilter have cooled down. Do not remove the filter from the portafilter immediately after making coffee. They are very hot and there is a risk of injury.

Grinding coffee

- Insert the portafilter into the holder – see Figure C.
- Adjust the grinding coarseness as necessary – see the previous part of the manual **Setting the grinding coarseness**.
- Use the **GRIND**  or **GRIND**  button to start grinding.
- A pre-set amount of ground coffee is ground into the filter. For one cup it is approximately 12–13 g, for two cups it is approximately 18–19 g.
- The grinding process will automatically stop once the pre-set amount of coffee has been ground into the filter.
- If you need to stop the grinding process earlier, press the **GRIND**  or **GRIND**  button.
- Carefully remove the portafilter from the holder and remove the portafilter attachment if you have installed it.



Note:

You can adjust the grinding time according to your personal preferences, according to the type of coffee or the degree of roasting of the coffee beans. Follow the instructions in the **USER SETTINGS / ADJUSTING THE AMOUNT OF GROUND COFFEE** section.

Coffee Tamping

- Spread the ground coffee evenly in the filter.
- To tamp the coffee, use the supplied tamper. First, gently squeeze to bring the ground coffee together, then squeeze firmly to tamp the ground coffee properly. Finally, turn the tamper slightly while it is in the filter to smooth the surface of the ground coffee – see Figure D.
- When squeezing coffee, constant and continuous pressure on the surface of the ground coffee is more important than the number of squeezes. We recommend squeezing the coffee with a force of approximately 15 kg.
- Clean the edges of the filter thoroughly of any ground coffee residue. Otherwise, the tightness of coffee brewing could be affected.

Inserting and Removing the Portafilter in the Brew Head

- Place the portafilter underneath the brew head so that the handle is pointing to the left and aligned with the **INSERT** icon on the brew head. To attach the portafilter to the brew head, turn the handle to the right into the **LOCK** position – see Figure E.
- To remove the portafilter from the brew head, turn the handle to the left all the way to the **INSERT** icon. Remove it from the brew head and move it above a rubbish bin.
- Rotate the portafilter so that the filter with the used coffee points downwards.
- Use a coffee spoon to remove the coffee grounds. Avoid contact with the surface of the filter or portafilter as they may still be hot.
- Before taking the filter out of the portafilter, cool it under cold running water. Then rinse the filter and the portafilter under clean running water and dry them thoroughly.

Preparing Coffee Beverage

1. Place a cup/cups or a mug/mugs under the portafilter.
2. After you have placed the portafilter with the tamped coffee in the filter in the brew head, press the **1 CUP** button to prepare 1 cup of Espresso or the **2 CUP** button to prepare a double Espresso.
3. The coffee preparation will start. First, the coffee is brewed by releasing a small amount of hot water into the strainer to swell the ground coffee in the strainer. After a moment, full coffee extraction begins.

- The coffee machine automatically stops brewing once the preset amount of coffee has been poured into the cup.
- Remove the cup/cups with the drink.
- Remove the portafilter from the brew head and clean it following the instructions in the "CLEANING AND MAINTENANCE" section. We recommend waiting for about 5 seconds before removing the portafilter from the brew head. This will naturally release the pressure and make it easier to remove the portafilter.
- You can cancel the coffee preparation by pressing the button of the drink being prepared.
- If you need to adjust the amount of coffee dispensed/coffee dispensing time, follow the instructions in the USER SETTINGS/ ADJUSTING THE AMOUNT OF COFFEE" section.

Manual Preparation of Coffee

- Insert the 1-cup or 2-cup filter basket in the portafilter, grind 1 or 2 cups worth of coffee in the portafilter, tamp and insert the portafilter in the brew head.
- Place a cup/cups or a mug/mugs under the portafilter.
- Press the **MANUAL** button.
- The coffee preparation will start. First, the coffee is brewed by releasing a small amount of hot water into the strainer to swell the ground coffee in the strainer. After a moment, full coffee extraction begins.
- Once the desired amount of coffee has been delivered to the cup(s), press the **MANUAL** button to stop the coffee brewing.
- Remove the cup/cups with the drink.
- Remove the portafilter from the brew head and clean it following the instructions in the "CLEANING AND MAINTENANCE" section. We recommend waiting for about 5 seconds before removing the portafilter from the brew head. This will naturally release the pressure and make it easier to remove the portafilter.
- You can cancel the coffee preparation by pressing the button of the drink being prepared.

Frothing milk

- Hot frothed milk can be used to make Cappuccino, Latte, hot chocolate, hot cocoa or other non-caffeinated beverages.
- Pour fresh, cold whole milk into the jug. The milk level should not be higher than the bottom edge of the sink.
 - Point the tip of the steam nozzle into the opening in the grille.
 - Turn the control to the hot steam dispensing position. Let the steam escape for a few seconds. Then turn the control to the middle position and the hot steam release stops. This step will clean the steam nozzle, remove any dirt and heat the milk frothing system.
 - Immerse the steam nozzle in the milk in the jug so that the tip of the steam nozzle is immersed 1 to 2 cm below the surface.
 - Turn the control to the hot steam dispensing position and the hot steam will be dispensed. Keep the tip of the steam nozzle submerged just under the surface of the milk to blow hot air into the milk and start forming foam. You can tilt the jug slightly to achieve a swirling movement of milk in the jug.
 - Once the milk has been frothed to suit your needs, dip the steam nozzle deeper into the milk to warm up the entire milk content in the jug. We recommend holding the jug by its bottom with your other hand so that you can easily estimate the temperature of the milk.
 - Once the bottom of the jug is hot to the touch, the milk is warm enough.
 - Turn the control to the middle position and wait for the hot steam dispensing to come to a stop. Only then remove the steam nozzle from the jug.
 - Wipe the tip of the steam nozzle with a slightly damp cloth and briefly start the hot steam dispenser by turning the control to the hot steam dispenser position to remove milk residues. Clean the steam nozzle according to the instructions in the CLEANING AND MAINTENANCE section.
 - Pour the hot frothed milk into the prepared coffee to prepare a Cappuccino or Latte, or pour it over the hot chocolate or cocoa.



Note:

Always wait for the hot steam dispensing to stop before removing the steam nozzle from the milk, otherwise there is a risk that the milk will come out.



Note:

The maximum hot steam dispensing time is 5 minutes. Do not use this function longer.

DISPENSING HOT WATER



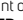
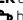
- Hot water can be used, for example, to quickly heat cups or prepare tea.
- Place a cup/mug under the steam wand.
 - Turn the control to the hot water dispensing position and the hot water dispensing will start.
 - Once the desired amount of water has been poured into the cup/mug, turn the control to the middle position. The hot water dispensing will stop.

REHEATING THE ESPRESSO MACHINE

- The coffee machine can reheat to the operating temperature between individual uses. This is normal.
- The coffee machine cannot be started when it is heating up (except for grinding), so always wait for it to finish.

USER SETTINGS


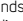
Adjusting the Amount of Ground Coffee

- You can adjust the grinding time for 1 or 2 cups as follows:
 - Press and hold the **GRIND**  or **GRIND**  button. The button flashes when pressed.
 - Keep the button pressed until the desired amount of coffee is ground into the filter in the portafilter. Then release the button.
 - The adjustment of the amount of ground coffee will be stored in the memory of the coffee machine.
- If you need to return the adjusted amount of ground coffee to the default value, press and hold the **POWER** and **GRIND**  buttons (for 1 cup) or the **POWER** and **GRIND**  buttons (for 2 cups) simultaneously for 2 seconds. The coffee machine resets the initial amount of ground coffee.

Adjusting the coffee volume

- Press and hold the **1 CUP**, **2 CUP** or **MANUAL** button. The button flashes when pressed.
- Keep the button pressed until the desired volume of coffee is poured into the cup. Then release the button. You can adjust the volume of coffee dispensed: up to 150 ml (**1 CUP**), up to 250 ml (**2 CUP**), up to 310 ml (**MANUAL**).
- Adjusting the volume of coffee will be saved to the memory of the coffee machine.
- If you need to return the adjusted volume of coffee dispensed to the default value, press and hold the **POWER** and **1 CUP** (for 1 cup), **POWER** and **2 CUP** (for 2 cups) or **POWER** and **MANUAL** (for manual coffee preparation) buttons simultaneously.


Restoring default factory settings

- Perform this step to return the values of the coffee machine (grinding, temperature, volume of coffee, etc.) to the default values.
- To perform the factory settings, press and hold the **POWER**, **GRIND**  and **GRIND**  buttons simultaneously for approximately 3 seconds. A short audible warning sounds and the operating icons on the control panel flash twice. This indicates that the factory settings have been successfully restored.

Turning off the coffee machine

- Press the **POWER** button for a long time to shut down the coffee machine.
- To switch the appliance completely off, unplug the power cord from the socket.

Automatic shut-off

- Set the time after which the coffee machine automatically switches off.
- Press and hold the **GRIND**  and **1 CUP** buttons for 3 seconds. The icons of the **POWER** and **2 CUP** buttons start flashing.
- Press one of the buttons to set the automatic shut-off time:
 - **1 CUP**: automatic shut-off after 10 minutes;
 - **2 CUP**: automatic shut-off after 20 minutes;
 - **MANUAL**: automatic shut-off after 30 minutes;
 - **If you do not press any button, the coffee machine will exit the automatic shut-off setting and return to the ready state.**
- Press the **POWER** button to confirm. The setting will be saved in memory.
- When the coffee machine turns off automatically, pressing the **POWER** button will turn it on again.

Notification of an Empty Water Tank

- When the coffee machine detects that the water tank is almost empty, the icons of the beverage preparation buttons will flash and an acoustic alert will sound.
- Refill the water tank according to the instructions in the section "FILLING THE WATER TANK".

CLEANING AND MAINTENANCE

- Before cleaning, turn the iron off with the **POWER** button, unplug the power cord from the mains socket and let it cool down completely.



Warning:

Do not use abrasive cleaning agents, solvents, etc. to clean any parts of the appliance, as these could damage the surface.



Warning:

To prevent the risk of electric shock, do not immerse the appliance, power cable, or plug into water or any other liquid.

Daily cleaning and maintenance

- Regular cleaning and maintenance are crucial for the proper functioning and longevity of the appliance.
- Before cleaning, switch off the appliance, unplug it and allow it to cool down.
- Should be cleaned after each use:
 - used filters and portafilter;
 - steam nozzle;
 - drip tray and grille.
- Should be cleaned regularly:
 - water tank;
 - coffee bean hopper;
 - grinder.



Warning:

No part of your coffee machine is dishwasher safe.

Cleaning the filter, portafilter and brew head

- The used filter and portafilter must be thoroughly cleaned after each use.
1. Remove the portafilter with the used coffee from the brew head. Dispose of the coffee grounds in the compost or in regular municipal waste. If the coffee grounds are difficult to remove from the filter, use cleaning tool, a cutlery knife or spoon.
 2. Remove the filter from the portafilter (see Figure F).



Warning:

Take extra care as the coffee grounds, filter and portafilter are very hot after use. There is a risk of burns.

3. Rinse the filter and portafilter under warm running water and wipe them dry with a clean cloth.
4. Wipe the bottom of the brew head with a damp cloth to remove ground coffee residues.
5. Insert the portafilter (without the filter) into the brew head.
6. Turn on the coffee machine and let it heat up. Place a cup/bowl under the portafilter.
7. Press the **1 CUP** button and let the coffee machine finish brewing. This will clean the brew head and remove any ground coffee residues.
8. Remove and rinse the portafilter.



Note:

Place the portafilter and filters on the heating plate so that they are preheated and ready for the next use.



Caution:

Do not wash the portafilter or filters in the dishwasher. There is a risk of them being damaged.



Note:

If the holes in the filter become clogged, use the cleaning aid needle to remove the dirt – see figure G1.

Cleaning the steam wand

- The steam wand should be cleaned after each use to prevent deposits and unwanted odours from dried milk residues.
- **After each use:** Point the steam nozzle above the grid of the drip tray and start the steam for a few seconds. This will remove most of the milk residue in the nozzle. Wipe the steam wand with a slightly damp cloth.
- **Every 2–3 months:** Unscrew the end of the steam nozzle. Immerse it in a tub of warm water containing a little descaling agent. Leave it overnight. Then pour out the water and clean the end of the steam nozzle properly. If necessary, use a cleaning aid needle. Rinse under warm running water. Screw back on and test to make sure that the steam wand is not blocked.
- **Blocked openings:** If the opening in the steam nozzle is blocked with milk residue, use a needle or pin to remove it manually – see Figure G2. Then run hot water through the steam nozzle for about 40 seconds.

Cleaning the drip tray

- The drip tray is equipped with a fullness indicator. It is a float that extends above the edge of the drip tray grid. In such a case, it is necessary to empty and wash the drip tray and the grid. However, we recommend emptying and washing the drip tray and grid every day if you use the coffee machine regularly.
- Pull out the drip tray from the coffee machine and carefully transfer it to the kitchen sink or sink.
- First, remove the grid from the tray and then pour out the water. Wash the tray and grille in warm water with a neutral dishwashing detergent. Rinse both parts under running water, dry them, and place them back in their positions.

Cleaning the water tank

- Pull out the handle to open the lid.
- Grasp the tank by the handle and lift it upwards.
- Pour out the remaining water.
- Rinse it with clean water and a small amount of neutral dishwashing detergent. Then thoroughly rinse with clean water, dry, and place it back into the coffee machine.

Coffee bean hopper


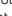
- Remove the coffee bean hopper from the coffee machine by turning it counterclockwise until the down arrow symbol on the hopper is aligned with the open lock symbol on the edge of the coarseness indicator. Pull upwards to remove the hopper from the coffee machine – see Figure H1.
- Remove the lid and move any beans into an airtight container.
- Wipe the hopper with a slightly damp cloth and wipe with a dry cloth.
- Rinse the lid of the hopper with clean water and a small amount of neutral dishwashing detergent. Then rinse it properly with clean water, dry it and put it back in place.
- Place the hopper in the body of the coffee machine so that the down arrow symbol on the hopper aligns with the open lock symbol on the edge of the coarseness indicator. Turn the hopper clockwise.



Warning:

Before inserting the coffee bean hopper into the coffee machine, always make sure that it is completely dry. Otherwise, damage to the grinder and the coffee machine may occur.

Cleaning the grinder

1. Remove the coffee bean hopper from the coffee machine body. Remove the lid and move any beans into an airtight container.
2. Insert the empty tank back into the coffee machine. Insert the portafilter with the installed filter (for 1 or 2 cups) into the holder.
3. Press the **GRIND**  button and let the grinder run. Repeat as long as ground coffee falls into the filter.
4. Once the grinder starts to grind empty, press the **GRIND**  button again to stop grinding.
5. Remove the portafilter from the holder, discard the ground coffee and remove the coffee bean hopper.
6. From underneath, clean the grinder dispensing port – see figure H2.
7. Use the cleaning brush to remove coffee bean residue from the upper and lower grinding stones = see Figure H3, or you can use the handheld vacuum cleaner with the brush head.
8. Remove the upper grinding stone by lifting up the metal handle and turning it slightly clockwise and pulling it out of the grinder.



Warning:

Never wash the grinding stones with water or in any other liquid. Always use the supplied cleaning brush or a clean, dry cloth.

9. Insert the upper grinding stone into the grinder so that the stops on the upper grinding stone fit into the groove in the grinder. Turn the upper grinding stone counter clockwise until you feel resistance.

Cleaning the outer casing

- Wipe the outer surface of the appliance with a slightly damp cloth and dry it.



DESCALING

- Over time, minerals from the water can build up in the machine's inner circuit. This is a natural process. Therefore, regular descaling is necessary. Mineral deposits can spoil the taste of your coffee and negatively impact the functionality and lifespan of the coffee machine.
- We recommend descaling of the coffee machine every 4 to 6 months depending on the hardness of water and frequency of use. However, the coffee machine warns of the need for descaling by flashing the icons of the **1 CUP**, **2 CUP**, **MANUAL** and hot water and steam buttons. Press any button to end the descaling warning.
- We recommend using descaling agents for coffee machines, which are commonly available in shops, for example the SESXD 001 Sencor Liquid Descaler.
- Prepare a descaling solution of water and descaling agent following the dilution/preparation instructions given on the packaging/enclosed leaflet.

Preparing for Descaling

- Fill up the water tank with descaling solution to the max mark. Place the tank back into the coffee machine.
- Empty the drip tray and put it back in the coffee machine.
- Insert the filter for 2 cups into the portafilter and install the portafilter in the brew head.
- Place a bowl (with a capacity of at least 1 l) under the brew head and direct the steam nozzle to the second bowl (with a capacity of at least 1 l) – see Figure I.

Descaling the espresso machine

- Switch on the coffee machine and wait for it to heat up.
- Press and hold the **GRIND** , **1 CUP** and **2 CUP** buttons simultaneously for 5 seconds. The hot water icon will be lit.
- Turn the control to the hot water position to start the 1st stage of descaling.
- When the icons of the **GRIND**  and **2 CUP** buttons flash, turn the control to the central position.
- Pour the remaining solution out of the water tank and empty the bowls.



Warning:

Be careful not to get burnt by the hot water.

- Rinse the water tank, pour 1 l of fresh cold water into it and put the tank back into the coffee machine.
- Put the bowls under the brew head and the steam nozzle again.
- Turn the control to the hot steam position and the 2nd flush phase will start.
- Leave the coffee machine to complete the flush process.
- When the hot water and steam icons are flashing, the flush is complete.
- Empty the bowls of water and pour fresh cold water into the tank.



Note:

You can cancel the descaling process by moving the controller to the center position and pressing the **POWER** button.



Note:

If you need to activate the descaling process manually, press and hold the **GRIND** , **1 CUP** and **2 CUP** buttons simultaneously for 3 seconds.

Storage

- If the appliance will not be used for an extended period, unplug it from the power socket, let it cool down, and clean it following the instructions provided above.
- Before storing, ensure that the appliance and all accessories are thoroughly clean and dry.
- Store the appliance in a dry, clean, and well-ventilated place away from extreme temperatures and out of the reach of children or pets.

TROUBLESHOOTING

Problem	Cause	Solution
The coffee machine does not switch on.	The power cable plug is not properly inserted in the mains socket.	Properly insert the plug into the power socket.
The icons of the coffee grinding buttons are not lit.	The coffee bean hopper is not inserted or is inserted incorrectly.	Insert the coffee bean hopper, or check that it is correctly inserted.
There is water under the coffee machine.	The drip tray is full.	Empty and clean the drip tray.
	The water tank is cracked or not properly positioned in the coffee machine.	Have the tray replaced or removed and reinserted.
The coffee just drips, does not flow at all, or the portafilter cannot be inserted into the brew head.	The coffee is too fine.	Select a coarser grind coarseness.
	There is too much ground coffee in the filter.	Reduce the amount of ground coffee in the filter.
	The ground coffee is tamped too much.	Apply reasonable force (15–20kg) when tamping.
There is no aroma in the prepared coffee.	The coffee beans are old, or you have chosen a coarser grind level.	Use freshly roasted coffee beans or choose a finer grind level.
The coffee machine does not dispense steam.	The coffee machine is not warmed up.	Let the coffee machine preheat.
	The steam nozzle is clogged.	Clean the steam wand.
The coffee dispenses too quickly.	Coffee is too coarse.	Select a finer level of grinding.
	There is too little coffee in the filter.	Add more ground coffee to the filter.
	The ground coffee is inadequately tamped.	Apply reasonable force (15–20kg) when tamping.
The coffee flows over the edge of the portafilter inserted in the brew head.	The portafilter is not properly inserted in the brew head.	Turn the portafilter until you feel resistance – the handle of the portafilter is perpendicular to the coffee machine.
	The edge of the filter is dirty from ground coffee residue.	After tamping, wipe the ground coffee residue off the edge of the filter and the portafilter.
After the steam has been dispensed, it is not possible to brew coffee or dispense hot water.	After the steam is released, the pressure must be released to lower the temperature. It is not possible to make any coffee or dispense hot water during this time. The coffee machine draws cold water to quickly cool the heating element.	It takes 20–30 seconds to release the pressure and cool down. After that, you can normally make coffee and dispense hot water.

When the coffee machine is heating up, preparing coffee or dispensing steam, you can hear a clattering or hissing sound.	These are normal sounds that the coffee machine makes. Do not be surprised or disturbed by this.
--	--

If the problem is not listed in the table or if the problem persists, switch off the coffee machine, disconnect it from the power source, and contact an authorised service centre.

TECHNICAL SPECIFICATIONS

Rated voltage range.....	220–240 V~
Rated frequency.....	50–60 Hz
Rated power input.....	1350-1650 W
.....(coffee grinder: 150 W)	
Noise level.....	≤75 dB (A) (brewing coffee)
.....	≤85 dB (A) (grinding coffee beans)

The declared noise emission level of the appliance is ≤75 dB (A) (brewing coffee) and ≤85 dB (A) (grinding coffee beans), which represents a level A of acoustic power with respect to a reference acoustic power of 1 pW.

Values Provided according to Commission Regulation EU 2023/826

Off Mode	
Power consumption in off mode	0 W
Time needed for the equipment to automatically reach off mode	0 min
Standby Mode	
Power consumption in standby mode	–
Time needed for the equipment to automatically reach standby mode	–
Networked Standby Mode (Wi-Fi)	
Power consumption in networked standby	–
Time needed for the equipment to automatically reach networked standby mode	–

INSTRUCTIONS AND INFORMATION ON DISPOSAL OF USED PACKAGING MATERIAL

Dispose of used packaging material at the designated municipal waste disposal site.

DISPOSAL OF USED ELECTRICAL AND ELECTRONIC EQUIPMENT

Used electrical and electronic products must not be disposed of in ordinary municipal waste. To enable the proper disposal, renewal and recycling of these products, deliver them to the designated collection points. Alternatively, in some European Union states or other European countries the products can be returned to the local retailer when buying an equivalent new product. By disposing of this product correctly, you help to conserve valuable natural resources and prevent any potential adverse impact on the environment and human health that could result from improper waste disposal. For more details, contact your local authority or nearest collection point. Fines may be imposed for the improper disposal of this type of waste as per national regulations.

For business entities in European Union States

If you wish to dispose of electrical and electronic equipment, please request the necessary information from your retailer or supplier.

Disposal in other countries outside the European Union

To dispose of this product elsewhere, request the necessary information on the correct disposal method from local authorities or your retailer.

Changes to text and technical parameters are reserved.