

SONANCE

BEYOND SOUND

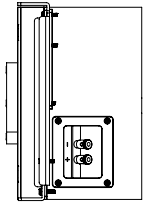
SMALL APERTURE SERIES

SA4-66

INSTALLATION MANUAL

SMALL APERTURE SERIES SPEAKER

SA4-66



END VIEW



FRONT VIEW

INTRODUCTION

The Sonance SA4-66 system is available as a complete kit (93729) or in individual components. The complete kit includes everything needed for installation in drywall or other surfaces with a Micro Trim grille. For projects with extended timelines, purchasing components separately may be preferred to avoid storing shims, speaker modules, and grilles on-site.

IMPORTANT: Read this section in its entirety before attempting use of the speaker.

IMPORTANT SAFETY INSTRUCTIONS

Always follow these basic safety precautions when using your speaker to reduce the risk of fire, electric shock, and injury to people or objects.

1. Read all the safety and operating instructions before operating the speaker and retain them for future reference.
2. Adhere to all warnings and precautions listed on the speaker and in the operating instructions.
3. Follow all operating instructions.

PREPARATION

Determine the required parts and pieces for your application based on the Required Parts Chart on the following page. After installing the SA4-66 Speaker Enclosure, jump to the section within this document for finishing instructions related to your specific application.

IMPORTANT: The Sonance SA4-66 speaker is installed behind the ceiling surface during pre-construction framing, or as a renovation or remodel installation. Both installations will require drywall installation, patching, mudding, and/or final finish to the surface.

The Sonance SA4-66 system is available as a complete kit (93729) or in individual components. The kit includes everything needed for installation in drywall or gypsum with a Micro Trim grille. For projects with extended timelines, purchasing components separately may be preferred to avoid storing shims, speaker modules, and grilles on-site.

TABLE OF CONTENTS

2	Box Contents
2	Introduction
2	Important Safety Information
2	Preparation
3	Required Parts by Application
3	Drywall/Gypsum Install with Micro Trim Grille
6	Drywall/Gypsum Board Flush Trimless Grille
8	Solid Surface with Micro Trim or Flush Trimless Grille
11	Spacers Explained
12	Technical Specifications
13	Detailed Box Contents
15	Warranty

BOX CONTENTS*

SA4-66-COMPLETE-T | 93729

- SA4-66-ENC Speaker Enclosure | 93711
- SA4-66-MOD Speaker Module | 93710
- SA4-GRILLE-RND-KIT-T Round Micro Trim Grille Kit | 93720
- SA4-GRILLE-SQR-KIT-T Square Micro Trim Grille Kit | 93721
- SA4 Micro Trim Spacer Kit for Micro Trim Finish into Drywall or Solid Surface (Round and Square)

*See page 13 for detailed list, replacement parts, and installation accessories

REQUIRED PARTS BY APPLICATION

APPLICATION	REQUIRED PARTS	MODEL	SKU
DRYWALL/GYPSUM BOARD, MICRO TRIM, ROUND (Page 3)	SPEAKER ENCLOSURE	SA4-66 ENC	93711
	MICRO TRIM/SOLID SURFACE SPACER KIT	SA4-SP-T-SS-KIT	93718
	SPEAKER MODULE	SA4-66 MOD	93710
	MICRO TRIM ROUND GRILLE	SA4-GRILLE-RND-KIT-T	93720
DRYWALL/GYPSUM BOARD, MICRO TRIM, SQUARE (Page 3)	SPEAKER ENCLOSURE	SA4-66 ENC	93711
	MICRO TRIM/SOLID SURFACE SPACER KIT	SA4-SP-T-SS-KIT	93718
	SPEAKER MODULE	SA4-66 MOD	93710
	MICRO TRIM SQUARE GRILLE	SA4-GRILLE-SQR-KIT-T	93721
DRYWALL/GYPSUM BOARD, FLUSH, TRIMLESS, ROUND	SPEAKER ENCLOSURE	SA4-66 ENC	93711
	FLUSH DRYWALL SPACER KIT (optional)	SA4-SP-FLUSH-GYP-KIT	93719
	TRIM KIT	SA4-TRIMKIT-FLUSH-GYP-RND	93712
	SPEAKER MODULE	SA4-66 MOD	93710
	TRIMLESS ROUND GRILLE	SA4-GRILLE-RND-NT	93725
DRYWALL/GYPSUM BOARD, FLUSH, TRIMLESS, SQUARE	SPEAKER ENCLOSURE	SA4-66 ENC	93711
	FLUSH DRYWALL SPACER KIT (optional)	SA4-SP-FLUSH-GYP-KIT	93719
	TRIM KIT	SA4-TRIMKIT-FLUSH-GYP-RND	93712
	SPEAKER MODULE	SA4-66 MOD	93710
	TRIMLESS SQUARE GRILLE	SA4-GRILLE-SQR-NT	93726
SOLID SURFACE, FLUSH, ROUND (Begin install steps on page 7)	SPEAKER ENCLOSURE	SA4-66 ENC	93711
	MICRO TRIM/SOLID SURFACE SPACER KIT	SA4-SP-T-SS-KIT	93718
	SPEAKER MODULE	SA4-66 MOD	93710
	TRIMLESS ROUND GRILLE	SA4-GRILLE-RND-NT	93725
SOLID SURFACE, FLUSH, SQUARE (Begin install steps on page 7)	SPEAKER ENCLOSURE	SA4-66 ENC	93711
	MICRO TRIM/SOLID SURFACE SPACER KIT	SA4-SP-T-SS-KIT	93718
	SPEAKER MODULE	SA4-66 MOD	93710
	TRIMLESS SQUARE GRILLE	SA4-GRILLE-SQR-NT	93726

DRYWALL/GYPSUM BOARD MICRO TRIM GRILLE

INSTALLING THE SA4-66 SPEAKER ENCLOSURE

REQUIRED PARTS

- SA4-66 Speaker Enclosure | 93711
 - SA4-66 Alignment Board (included)
 - Six (6) Wood Screws (included)
 - Laser Level (optional)
 - Long Straight Edge (optional)
 - Screwdriver or Drill
1. Select the desired location for your SA4-66 speaker, ensuring proper space to accommodate the dimensions of the enclosure with desired positioning of the opening for the module. Use a laser level to ensure alignment with other speakers and ceiling elements such as lighting (see Figure 1).

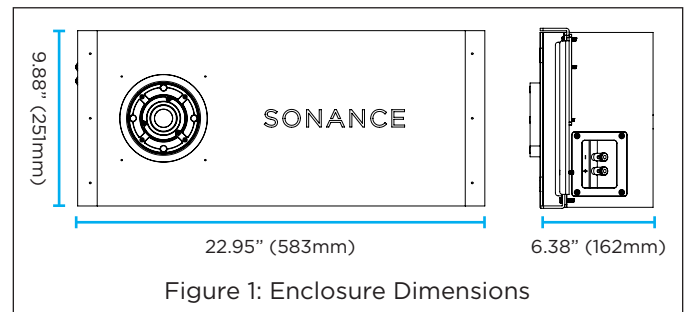


Figure 1: Enclosure Dimensions

2. Use the provided SA4-66 alignment board to position and preserve the speaker location (see Figure 2).

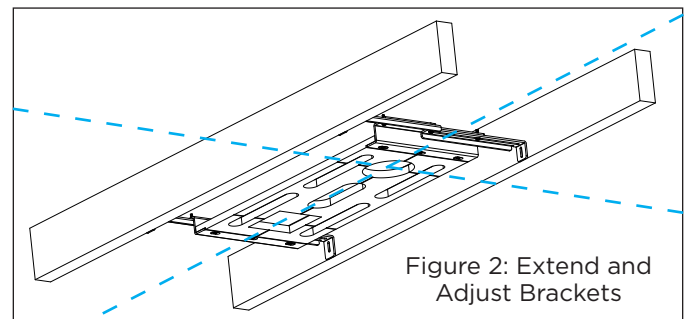
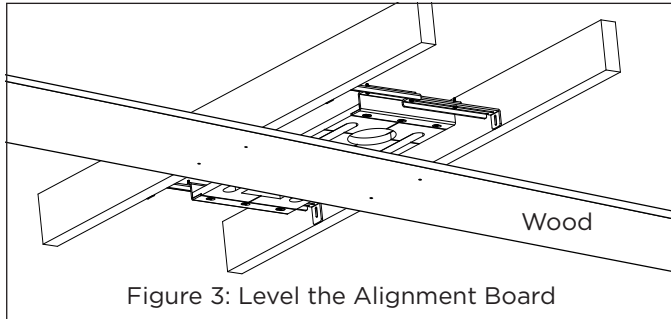


Figure 2: Extend and Adjust Brackets

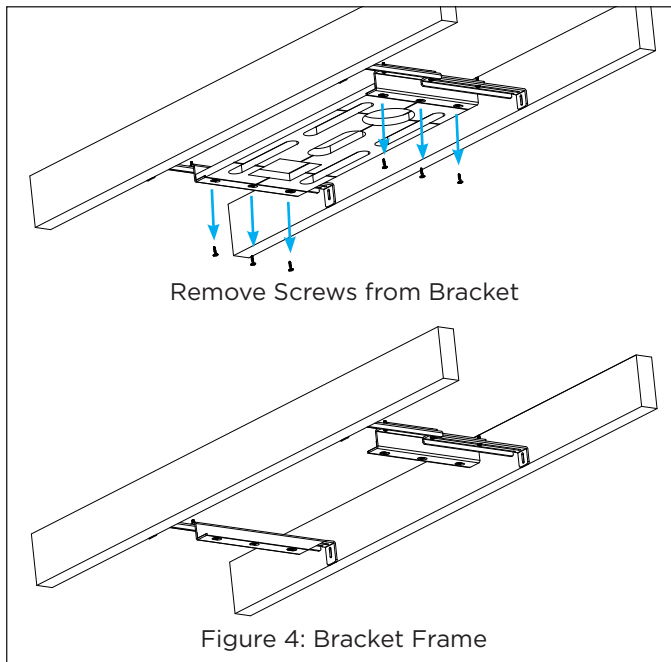
3. Use a screwdriver to loosen the bracket on both ends to make the alignment board adjustable within the ceiling joist or stud bay.

- Secure the bracket between the two joists using the included wood screws.
- Use a block of wood to level the bracket with the joists on each side.

NOTE: The alignment board should not extend into the room beyond the plane of the joists. You will use spacers to account for surface depths in a later step.

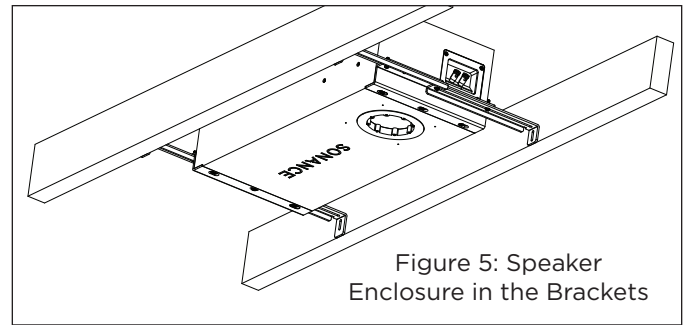


- Adjust the bracket positioning to align its cross hairs with surrounding room lines and elements as desired. If finishing with a square trim later, this will be critical to achieve grille alignment (see Figure 2). Note the module opening location on the joists.
- Remove the screws on the front of the bracket, three on each end, to remove the MDF bracket from the bracket frame (see Figure 4). These screws can be discarded.

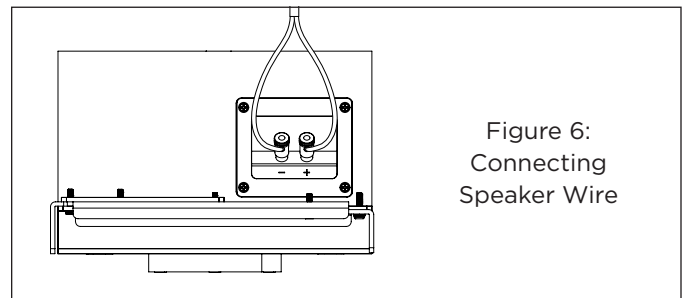


- Insert the SA4-66 speaker enclosure into position behind the bracket frame, setting it in place with the module opening facing out in the desired orientation. Make sure that the lip of the enclosure catches on the lip of each end of the bracket frame.
- Secure the bracket frame to the speaker enclosure with the provided new wood screws, three on each end. Do not reuse the shorter screws removed from

the bracket earlier. Adjust the positioning as needed to retain the desired cross hair alignment. Check enclosure opening location matches the location noted on the joist in step 6 (see Figure 5).



- Run speaker wire from the amplifier location to the speaker location and connect the positive to the red spring terminal and the negative to the black spring terminal (see Figure 6).



- Temporarily connect the SA4-66-MOD Speaker Module to the 2-pin connector in the speaker opening and play source signal to the speaker to test operation before proceeding to the finishing section. Once verified, disconnect the speaker module from the 2-pin connector and reserve the module for later.

INSTALLING THE SPACERS | FINISHING THE SURFACE

REQUIRED PARTS

- SA4-66 Spacers
- Determine the surface depth and select the appropriate spacers. Spacers may be stacked together along with the included 1mm shims to accommodate the required depth from the speaker opening to the final drywall surface (see Figure 7).
 - Secure the Spacer Stack through the threaded holes in the speaker enclosure opening using the provided screws.

IMPORTANT: Connect the speaker module to the enclosure opening to test for functionality BEFORE installing drywall over the enclosure. Once tested, remove the module and reserve for later (as outlined in step 11 in previous section).

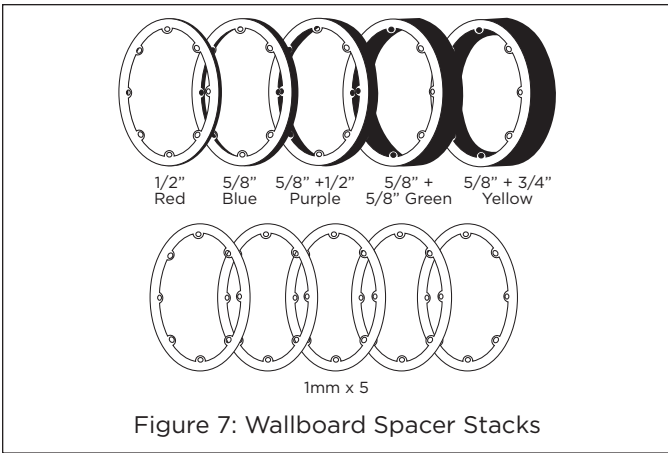


Figure 7: Wallboard Spacer Stacks

- Secure the Space Saver to the stacked spacers and shims to cover the speaker opening using the provided screws (see Figure 8).

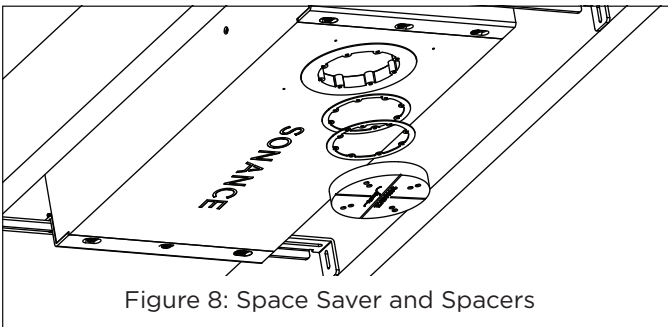


Figure 8: Space Saver and Spacers

- Install drywall around the Space Saver.
- Once the drywall panel installation and painting process is complete and has had time to dry, keep the spacers but discard the plastic Space Saver.
- Install the SA4-66 Speaker Module and Stacked Spacers:

INSTALLING THE SPEAKER MODULE AND GRILLE

REQUIRED PARTS

- SA4-66 Speaker Module | 93710
 - SA4-66 Round Micro Trim Grille Kit | 93720 or SA4-66 Square Micro Trim Grille Kit | 93721
- Position the aligner so that its flat side faces the wire end of the speaker module, allowing the rim of the module to slide into place within the aligner's raised lip. The flat side of the aligner should be toward the wire end. Test fit the assembly by securing it with two screws to the enclosure opening (the aligner should be 0.125" (1/8") proud of the ceiling surface). Test the grille fit to verify proper fit and spacing. If there are gaps between the surface and the grille, remove the grille and module/spacer assembly to adjust the spacers until the correct spacing for perfect grille fit is achieved.

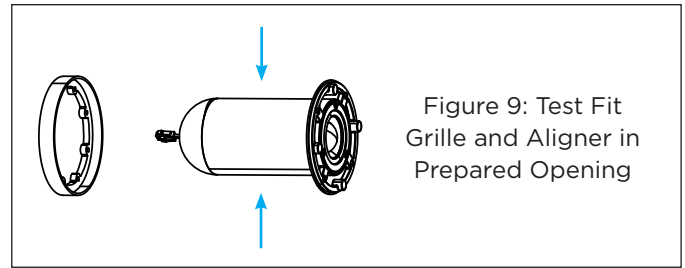


Figure 9: Test Fit Grille and Aligner in Prepared Opening

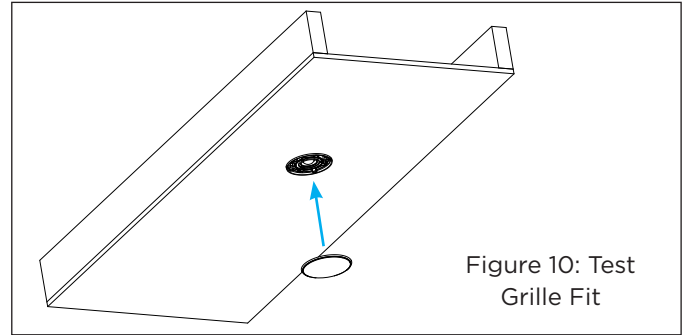


Figure 10: Test Grille Fit

- After the spacers have been adjusted as needed, remove the module and grille aligner from the enclosure. Keep the grille aligner and spacer stack around the speaker module (see Figure 11).

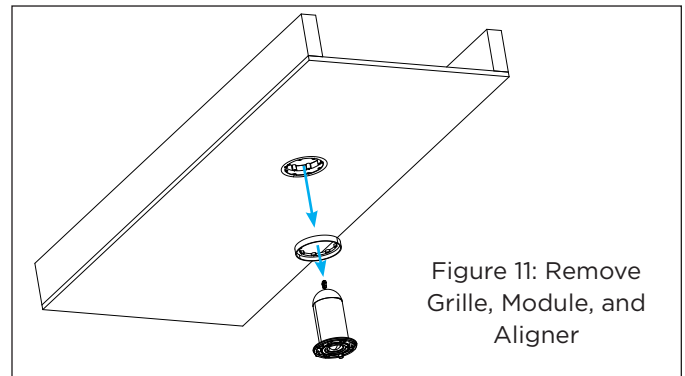


Figure 11: Remove Grille, Module, and Aligner

- Connect the 2-pin connector from the enclosure opening to the 2-pin connector on the back of the speaker module, including the aligner and spacer stack. **Make sure that the connector orientation is correct.** Insert the speaker module into the opening and secure the speaker module to the enclosure using four screws (see Figure 12).
- After installing the speaker module, check for and remove any cable obstructions inside the port.
 - Do this by shining a flashlight into the port openings that surround the installed speaker module.
 - Perform a full 360° check, closely inspecting the entire length of the port inside the enclosure around the entire perimeter of the port.
 - Look for any area where the cable is bunched up and potentially blocking the port.
 - If any obstructions are found, use a long, thin tool such as a flat blade screwdriver to push the

cable obstruction further into the port until the port is 100% clear.

- Best practice is to push the screwdriver into every opening around the port and keep pushing until the cable is cleared out of the way.
- After this process, double check with a flashlight to confirm no port obstructions.

5. Insert the round or square Micro Trim Grille over the grille aligner (see Figure 13).

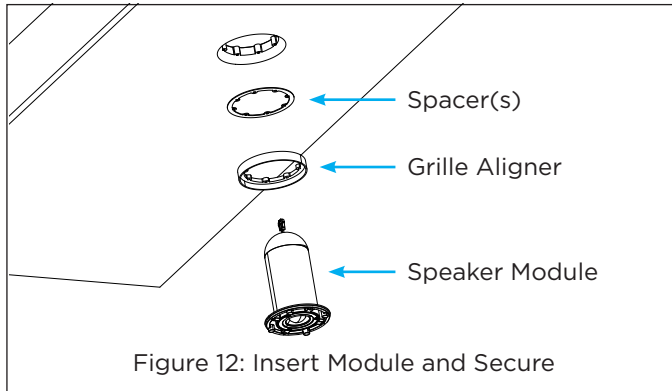


Figure 12: Insert Module and Secure

6. Connect and play a source to the amplifier and enjoy!

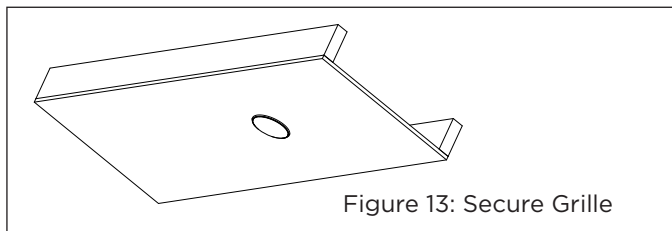


Figure 13: Secure Grille

DRYWALL/GYPSUM BOARD FLUSH TRIMLESS GRILLE

PREPARING THE SA4-66 ENCLOSURE

REQUIRED PARTS

- SA4-66 Speaker Enclosure | 93711
- SA4-66 Spacer Flush Gypsum Kit | 93719 (optional)
- SA4-66 Trim Flush Gypsum Kit Round | 93712 or
- SA4-66 Trim Flush Gypsum Kit Square | 93722

BEFORE YOU BEGIN

1. For precise flush alignment with drywall, it can be helpful to place the enclosure on a table with the ceiling materials nearby so that the appropriate spacer thickness can be selected prior to enclosure installation (see Figure 14).

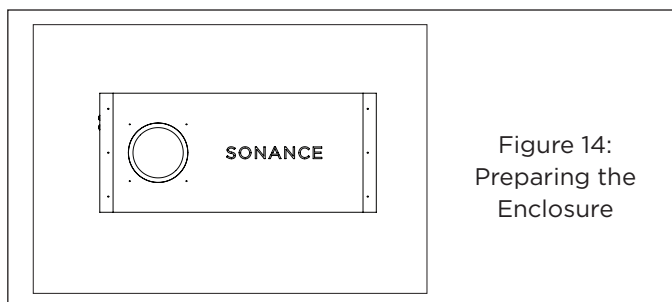


Figure 14: Preparing the Enclosure

2. Determine appropriate spacers for surface thickness. Refer to page 11, SPACERS EXPLAINED to help define the spacers required for your application.

AVAILABLE ACCESSORY KITS

SA4-SP-FLUSH-GYP-KIT | 93719

- Wallboard Spacers (colorful spacers, marked for wallboard spec)
- Dimensional Spacers (black spacers, marked with physical thickness)

SA4-TRIMKIT-FLUSH-GYP-RND | 93712

- Round Mud Ring Assembly
- Wallboard Spacers (colorful spacers, marked for wallboard spec)

SA4-TRIMKIT-FLUSH-GYP-SQR | 93722

- Square Mud Ring Assembly
- Wallboard Spacers (colorful spacers, marked for wallboard spec)

NOTE: Spacers can be used interchangeably for either round or square applications

3. Stack the appropriate spacers with either a round or square mud ring (see Figure 15).

4. Align the inner holes with the threaded inserts in the enclosure.

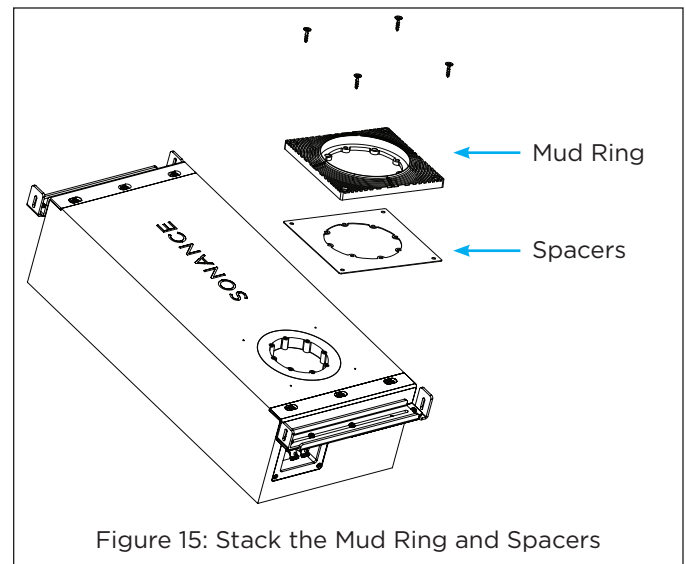


Figure 15: Stack the Mud Ring and Spacers

NOTE: Round and square applications require different mud rings, select accordingly.

5. Use screws of the correct length for the surface thickness to insert the plastic paint shield into the center of the mud ring.

- Align its four holes with the spacer, mud ring, and threaded inserts in the enclosure.
- Secure the assembly with screws of the correct length for the surface thickness through the inner threaded holes (see Figure 16).

- Fasten the mud ring at all four corners using the four included wood screws (see Figure 15).
 - The enclosure has pilot holes to aid this process.
 - Ensure the screws extend at least 1/2" (12mm) into the enclosure for a firm hold.

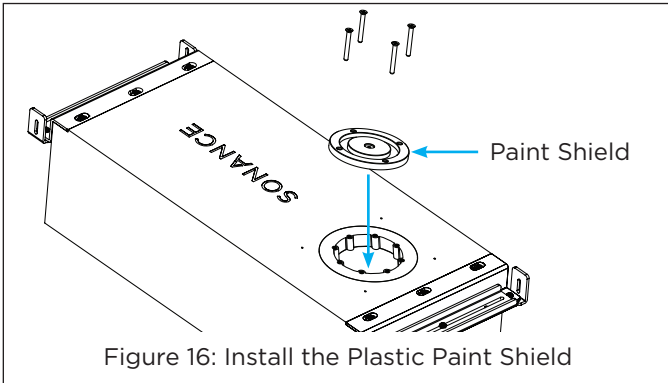


Figure 16: Install the Plastic Paint Shield

- Place the metal sanding shield on top of the secured plastic paint shield.
 - Secure it to the paint shield using the included screw (see Figure 18).
 - Tip:** Cover the keyhole in the sanding shield with painter's tape to prevent drywall compound from blocking it.

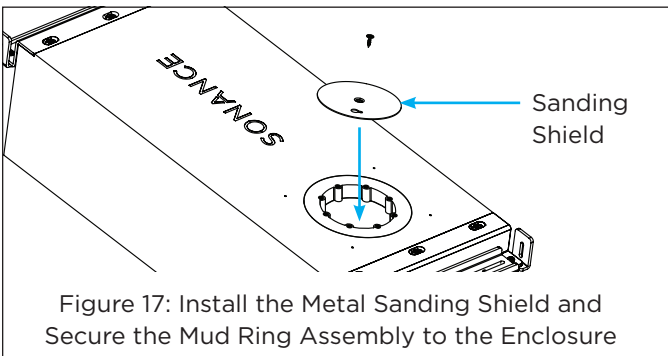


Figure 17: Install the Metal Sanding Shield and Secure the Mud Ring Assembly to the Enclosure

INSTALLING THE SA4-66 SPEAKER ENCLOSURE

REQUIRED PARTS

- SA4-66 Speaker Enclosure | 93711
- SA4-66 Bracket (included)
- Six (6) Wood Screws (included)
- Laser Level (optional)
- Long Straight Edge (optional)
- Screwdriver or Drill

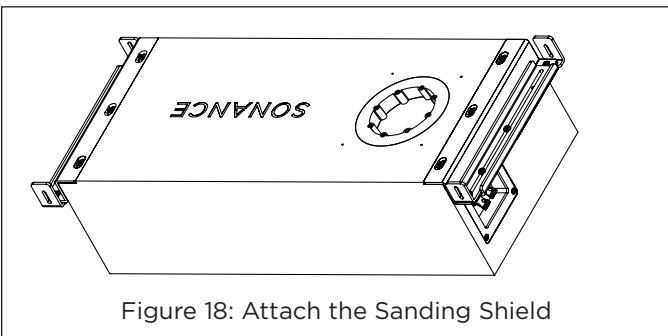


Figure 18: Attach the Sanding Shield

The enclosure and mud ring assembly is now prepared for installation into the surface location.

- Select the desired location for your SA4-66 speaker, ensuring proper space to accommodate the dimensions of the enclosure with desired positioning of the opening for the module. Use a laser level to ensure alignment with other speakers and ceiling elements such as lighting (see Figure 1).
- Use the provided SA4-66 bracket to position and preserve the speaker location (see Figure 2).
- Use a screwdriver to loosen the bracket on both ends to make the bracket adjustable within the ceiling joist or stud bay.
- Secure the bracket between the two joists using the included wood screws.
- Use a block of wood to level the bracket with the joists on each side (see Figure 3).

NOTE: The bracket should not extend into the room beyond the plane of the joists. The spacers will account for surface depths.

- Adjust the bracket positioning to align its cross hairs with surrounding room lines and elements as desired. If finishing with a square trim later, this will be critical to achieve grille alignment (see Figure 2). Mark the module opening location on the joists to remember the correct speaker orientation later.
- Remove the screws on the front of the bracket, three on each end, to remove the MDF bracket from the bracket frame (see Figure 4). These screws can be discarded.
- Insert the SA4-66 speaker enclosure into position behind the bracket frame, setting it in place with the module opening facing out in the desired orientation. Make sure that the lip of the enclosure catches on the lip of each end of the bracket frame.
- Secure the bracket frame to the speaker enclosure with the new wood screws provided, three on each end. Do not reuse the shorter screws removed from the bracket earlier. Adjust the positioning as needed to retain the desired cross hair alignment. Check enclosure opening location matches the location noted on the joist (see Figure 5).
- Run speaker wire from the amplifier location to the speaker location and connect the positive to the red spring terminal and the negative to the black spring terminal (see Figure 6).
- Remove the four screws holding the paint shield (with sanding shield intact) and reserve the shields and screws to allow for speaker module testing.

IMPORTANT: Connect the speaker module with the 2-pin connector from the enclosure opening and test for functionality by playing signal from the amplifier and a source. Then power the amplifier off before disconnecting the module. Replace paint shield and sanding shield into the opening using the four reserved screws from step 11.

INSTALLING THE SPACERS | FINISHING THE SURFACE

1. Install drywall as usual, ensuring proper taping and mudding.
 - **TIP:** Use mesh joint tape around all four sides of the mud ring where it meets the drywall.
 - Allow drywall to dry completely before sanding.
2. Sand the surface until a small gap appears around the perimeter of the sanding shield.
 - Remove the center screw from the sanding shield.
 - Clear the keyhole in the sanding shield using a drywall screw or remove the tape.
 - Insert a drywall screw into the keyhole and use pliers to pull firmly and remove the sanding shield.
3. Ensure the paint shield is in place before applying paint.
 - Roll paint directly over the opening.
 - **TIP:** Before the paint dries, clean the inside edges of the mud ring with a dry 1" mini roller or dry paintbrush to prevent buildup or drips.
4. Once the paint is completely dry, remove the paint shield by unscrewing the two securing screws.

INSTALLING THE SPEAKER MODULE AND GRILLE

REQUIRED PARTS

- SA4 Trimless Grille Round | 93725 or SA4 Trimless Grille Square | 93726
 - SA4-66 Speaker Module | 93710
1. Connect the 2-pin connector from the enclosure opening to the 2-pin connector on the back of the speaker module. Make sure that the connector orientation is correct. Insert the speaker module into the opening and secure the speaker module to the enclosure using four screws.
 2. After installing the speaker module, check for and remove any cable obstructions inside the port.
 - Do this by shining a flashlight into the port openings that surround the installed speaker module.
 - Perform a full 360° check, closely inspecting the entire length of the port inside the enclosure around the entire perimeter of the port.
 - Look for any area where the cable is bunched up and potentially blocking the port.
 - If obstructions are found, use a long, thin tool (a flat blade screwdriver) to push the obstruction further into the port until the port is 100% clear.
 - Best practice is to push the screwdriver into every opening around the port and keep pushing until the cable is cleared out of the way.
 - After this process, double check with a flashlight to confirm no port obstructions.

3. Insert the round or square Trimless Grille into position over the module.
4. Connect and play a source to the amplifier and enjoy!

SOLID SURFACE WITH MICRO TRIM OR FLUSH TRIMLESS GRILLE

PREPARING THE SA4-66 SPEAKER ENCLOSURE

REQUIRED PARTS

- SA4-66 Speaker Enclosure | 93711
- SA4-66 Micro Trim/Solid Surface Spacer Kit | 93718
- SA4-66 Round Micro Trim Grille Kit | 93720 or SA4-66 Square Micro Trim Grille Kit | 93721 or SA4 Trimless Grille Round | 93725 or SA4 Trimless Grille Square | 93726
- SA4-66 Speaker Module | 93710

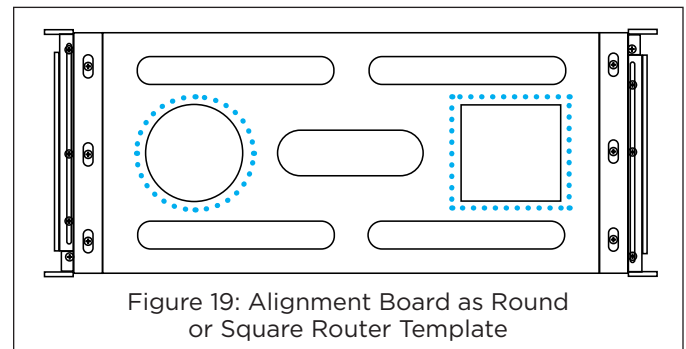


Figure 19: Alignment Board as Round or Square Router Template

BEFORE YOU BEGIN

1. For precise flush alignment with solid surfaces, it is helpful to place the enclosure on a table with the ceiling materials nearby so that the appropriate spacer thickness can be selected.
2. Use the Alignment Board included with the enclosure as the routing template; it has cutout templates for both round and square grilles.
3. Use the square or round template to mark an outline on the solid surface material in the desired location of the grille opening.
4. Use a drill and jigsaw to cut a hole through the material on the inside of the marking, leaving about 1/8" (3mm) border around the edge.

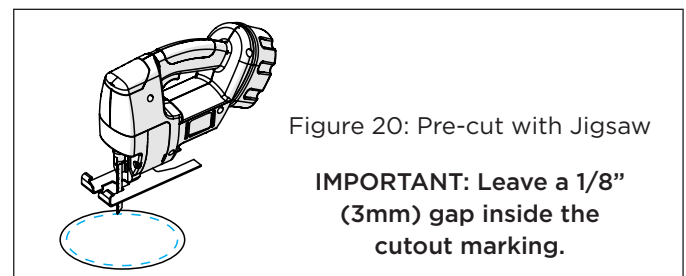


Figure 20: Pre-cut with Jigsaw

IMPORTANT: Leave a 1/8" (3mm) gap inside the cutout marking.

5. Affix the Alignment Board to the solid surface material using double sided tape or clamps, aligning it precisely with the marking made earlier.
6. Use a Flush Trim Router Bit to clean up the cutout, allowing its bearing edge to ride along the Alignment Board template as a guide.

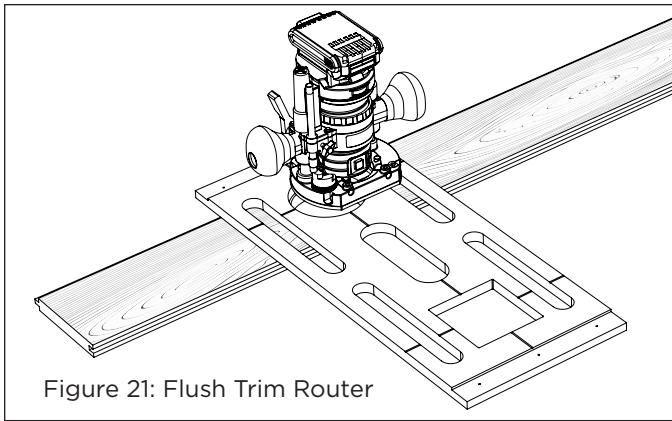


Figure 21: Flush Trim Router

IMPORTANT: Use Flush Trim Router bit.

7. Select spacers based on surface thickness. You may need to stack spacers to achieve the perfect flush alignment.
 - Refer to the Spacers Explained section for details.
 - Dimensional Spacers work best for solid surfaces.

RECOMMENDED ACCESSORY KIT:

SA4-SP-T-SS-KIT | 93718

- Wallboard Spacers
- Dimensional Spacers

NOTE: Spacers are compatible for both round and square grille applications.

8. Test fit the spacers, speaker module, and grille. For Micro Trim installations, place the grille aligner around the speaker module.
9. Put the enclosure on a table with the opening facing up. Align the cutout on the solid surface material with the enclosure opening and place it on the enclosure.
10. Stack the appropriate spacers and shims into the opening, add the speaker module, and grille. For Solid Surface installations using a micro trim grille, be sure to add the grille aligner behind the speaker module before adding to the opening (see Figure 22).
11. Adjust the spacer stack as needed until the grille is perfectly flush with the solid surface material that will be used in the ceiling.

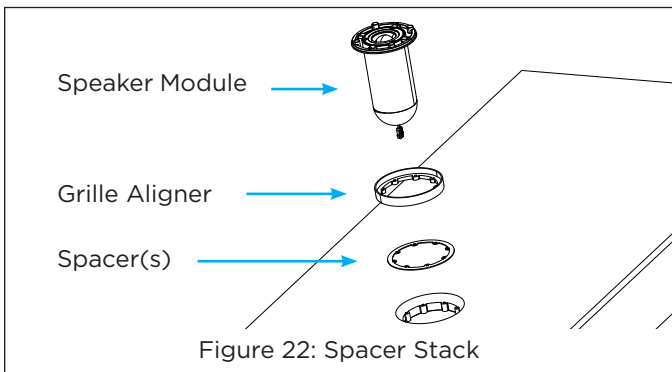


Figure 22: Spacer Stack

NOTE: Grille aligner is only applicable when using Micro Trim grilles. Omit this piece if installing Trimless grilles.

INSTALLING THE SA4-66 SPEAKER ENCLOSURE

REQUIRED PARTS

- SA4-66 Speaker Enclosure | 93711
- SA4-66 Bracket (included)
- Six (6) Wood Screws (included)
- Laser Level (optional)
- Long Straight Edge (optional)
- Screwdriver or Drill

Optionally install the selected spacers, shims, and space saver prior to enclosure installation to help reserve and identify the speaker locations in the ceiling. For some installation types, this may interfere with ceiling installation. Check with your install team first. If the spacers, shims, and/or space savers will interfere with the ceiling installation, remove them from the enclosure and install later.

1. Select the desired location for your SA4-66 speaker. Ensure proper space to accommodate the dimensions of the enclosure with desired positioning of the opening for the module. Use a laser level to ensure alignment with other speakers and ceiling elements such as lighting (see Figure 1).
2. Use the provided SA4-66 bracket to position and preserve the speaker location (see Figure 2).
3. Use a screwdriver to loosen the bracket on both ends to make the bracket adjustable within the ceiling joist or stud bay.
4. Secure the bracket between the two joists using the included wood screws.
5. Use a long level or straight edge to level the bracket with the joists on each side, ensuring that the bracket is even (see Figure 3).

NOTE: The bracket should not extend into the room beyond the plane of the joists. The spacers installed earlier account for surface depths.

6. Adjust the bracket positioning to align its cross hairs with surrounding room lines and elements as desired. If finishing with a square trim later, this will be critical to achieve grille alignment (see Figure 2). Mark the module opening location on the joists to remember the correct speaker orientation later.
7. Remove the screws on the front of the bracket, three on each end, to remove the MDF bracket from the bracket frame (see Figure 4). These screws can be discarded.
8. Insert the SA4-66 Speaker Enclosure into position behind the bracket frame, setting it in place with the module opening facing out in the desired orientation. Make sure that the lip of the enclosure catches on the lip of each end of the bracket frame.
9. Secure the bracket frame to the speaker enclosure with the new wood screws provided, three on each end. Do not reuse the shorter screws removed from the bracket earlier. Adjust the positioning as needed



to retain the desired cross hair alignment. Check enclosure opening location matches the location noted on the joist in step 6.

10. Run speaker wire from the amplifier location to the speaker location and connect the positive to the red spring terminal and the negative to the black spring terminal (see Figure 5).

IMPORTANT: Connect the speaker module to the enclosure opening to test for functionality BEFORE installing the ceiling surface over the enclosure. Once tested, remove the module and reserve for later.

INSTALLING THE SPACERS | FINISHING THE SURFACE

1. Install the solid surface ceiling material over the speaker enclosure making sure to align all openings in the solid surface material precisely with the speaker enclosure opening locations.
2. If spacers were removed earlier, reinstall them.

INSTALLING THE SPEAKER MODULE AND GRILLE

REQUIRED PARTS

- SA4-66 Round Micro Trim Grille Kit | 93720 or SA4-66 Square Micro Trim Grille Kit | 93721 or SA4 Trimless Grille Round | 93725 or SA4 Trimless Grille Square | 93726
- SA4-66 Speaker Module | 93710

1. For Flush installations, skip to the next step. For Micro Trim installations, place the round or square grille aligner around the speaker module. Refer back to page 5, step 1 of the section titled **INSTALLING THE SPEAKER MODULE AND GRILLE** for detailed instructions.
2. Place the speaker module into the enclosure opening to test fit the assembly by securing it with two screws. Test the grille fit. If the grille will not stay on or if there is a gap between the installation surface and the grille, spacers and shims will need to be added or removed until the grille fit is perfect.
3. After the spacers have been adjusted as needed, remove the grille, speaker module, and grille aligner (if applicable) from the enclosure.
4. For Flush installations, skip to the next step. For Micro Trim installations, keep the grille aligner around the module.
5. Connect the 2-pin connector from the enclosure opening to the 2-pin connector on the back of the speaker module. Make sure that the connector orientation is correct. Insert the speaker module into the opening and secure the speaker module to the enclosure using four screws.
6. After installing the speaker module, check for and remove any cable obstructions inside the port.
 - Do this by shining a flashlight into the port openings that surround the installed speaker module.

- Perform a full 360° check, closely inspecting the entire length of the port inside the enclosure around the entire perimeter of the port.
 - Look for any area where the cable is bunched up and potentially blocking the port.
 - If any obstructions are found, use a long, thin tool such as a flat blade screwdriver to push the cable obstruction further into the port until the port is 100% clear.
 - Best practice is to push the screwdriver into every opening around the port and keep pushing until the cable is cleared out of the way.
 - After this process, double check with a flashlight to confirm no port obstructions.
7. Insert the round or square Micro Trim or Trimless Grille into position over the module.
 8. Connect and play a source to the amplifier and enjoy!

SPACERS EXPLAINED

Small Aperture Spacers are used to align the speaker module to the installation surface for a seamless and gapless grille finish that blends into the plane of the ceiling. This is especially important for flush installations. There are two types of spacers available for Sonance SA: Wallboard Spacers and Dimensional Spacers.

WALLBOARD SPACERS

Wallboard Spacers are conveniently sized so that when used properly, the final speaker module height aligns with common wallboard thicknesses. Each Wallboard Spacer is color-coded and labeled with the wallboard panel thickness it is intended to be used with. For instance, the blue spacer labeled “For 5/8” Wallboard” should be used with 5/8” wallboard. Some of the Wallboard Spacers are to be used with various stacks of wallboard (sometimes referred to in the trade as “double-rock”). For instance, the green spacer labeled “For 5/8” + 5/8” Wallboard” should be used when two layers of 5/8” wallboard are installed. If the speaker module height does not perfectly match the ceiling surface, multiple spacers can be stacked and/or the included white 1mm shims may be used to fine-tune the speaker module height. Note that the actual thickness of the Wallboard Spacers are arbitrary dimensions

that are meant to be used with common ceiling panel thicknesses. If a specific dimensional thickness is required, which is common for solid surface installations such as tongue and groove wood ceilings, the Small Aperture Dimensional Spacers are an alternative solution.

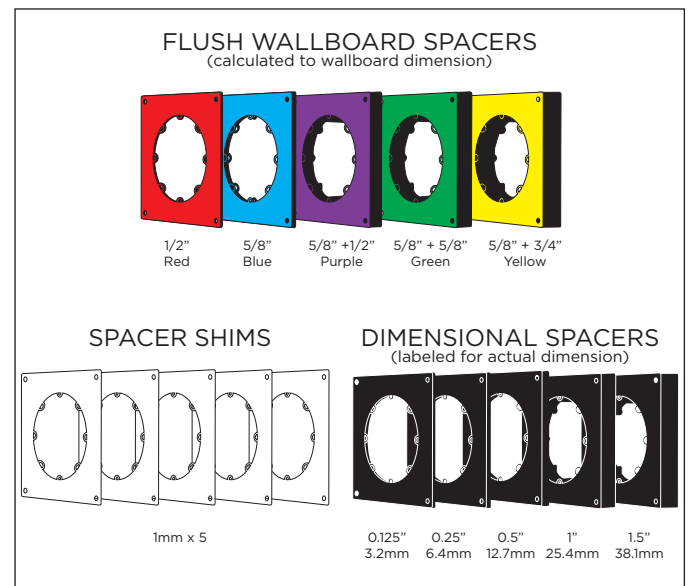
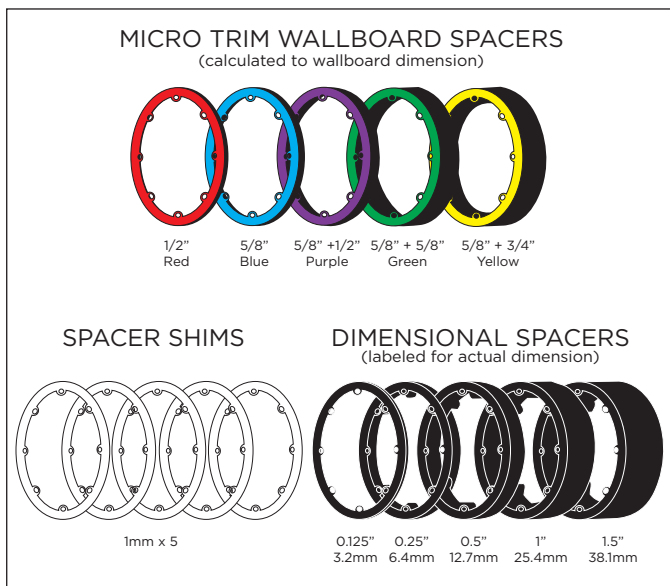
DIMENSIONAL SPACERS

Dimensional Spacers are made to precise thicknesses as specified on the face of the spacer. These spacers are black in color with the thickness dimensions labeled in both imperial and metric. If the speaker module height does not perfectly match the ceiling surface, multiple spacers can be stacked and/or the included white 1mm shims may be used to fine-tune the speaker module height.

Wallboard Spacers and Dimensional Spacers may be mixed and matched and stacked in any combination. However, regardless of which spacer type is used and how they are stacked, the total spacer thickness must not exceed 2” (50mm); otherwise, the performance of the product will be compromised.

NOTE: Spacers for Flush Drywall installations are square in shape. Spacers for all other installation types are circular. Although there is no difference in functionality, they must not be interchanged.

SURFACE	MICRO TRIM INSTALLATION SPACERS (93718 SPACER KIT)	FLUSH TRIMLESS INSTALLATION SPACERS (93719 SPACER KIT, 93712 ROUND TRIM KIT, OR 93722 SQUARE TRIM KIT)
1/2” Drywall	1/2” Wallboard Spacer (Red)	1/2” Wallboard Spacer (Red)
5/8” Drywall	5/8” Wallboard Spacer (Blue)	5/8” Wallboard Spacer (Blue)
5/8” + 1/2”	5/8” + 1/2” Wallboard Spacer (Purple)	5/8” + 1/2” Wallboard Spacer (Purple)
5/8” + 5/8”	5/8” + 5/8” Wallboard Spacer (Green)	5/8” + 5/8” Wallboard Spacer (Green)
5/8” + 3/4”	5/8” + 3/4” Wallboard Spacer (Yellow)	5/8” + 3/4” Wallboard Spacer (Yellow)
1/2” Drywall + 1”	1/2” Wallboard Spacer (Red) + 1” Dimensional Spacer (Black)	1/2” Wallboard Spacer (Red) + 1” Dimensional Spacer (Black)
5/8” Drywall + 0.25”	5/8” Wallboard Spacer (Blue) + 0.25” Dimensional Spacer (Black)	5/8” Wallboard Spacer (Blue) + 0.25” Dimensional Spacer (Black)



TECHNICAL SPECIFICATIONS

SA4-66 Complete Kit Micro Trim

SKU	93729
UOM	Each
Wide Bandwidth Driver	2" (50mm) Aluminum cone, rubber surround
Woofers	6.5" (165mm) Aluminum cone, rubber surround
Frequency Response	45Hz-22kHz +/-3dB
Frequency Range	35Hz-25kHz +/-10dB
Impedance	8 ohms nominal; 6 ohms minimum
Power Handling	5 watts minimum to 125 watts maximum
Sensitivity	82dB SPL
Overload Protection	Two independent, self-resetting poly switches
Enclosure Only (WxHxD)	22.95" x 10.2" x 6.38" (583mm x 258.5mm x 162mm)
Enclosure With Bracket (WxHxD)	25.9" x 10.2" x 6.38" (658mm x 258.5mm x 162mm)
Minimum Installation Width	10.2" (258.5mm)
Maximum Installation Width	25.5" (649.1mm)
Flush Round Grille (Dia)	4.02" (102mm)
Flush Square Grille (HxW)	4.02" x 4.02" (102mm x 102mm)
Micro Trim Round Grille (Dia)	4.62" (117.4mm)
Micro Trim Square Grille (HxW)	4.62" X 4.62 (117.4mm x 117.4mm)
Enclosure Weight	19.73 lbs (8.95kg)
Module Weight	0.8 lbs (0.35kg)
Complete Kit (SKU 93729) Shipping Weight	34.17lbs (15.5kg)

BOX CONTENTS

- **SA4-66-ENC Speaker Enclosure | 93711**
 - (1) SA4-66 Speaker Enclosure
 - (1) 4" Round Space Saver
 - (1) 4" Square Space Saver
 - (6) Flat Head Philips Screws (30mm)
- **SA4-66-MOD Speaker Module | 93710**
 - (1) SA4-66 Speaker Module
 - (6) Flat Head Philips Screws (30mm)
 - (6) Flat Head Philips Screws (50mm)
 - (6) Flat Head Philips Screws (65mm)
- **SA4-GRILLE-RND-KIT-T Round Micro Trim Grille Kit | 93720**
 - (1) 4" Round Micro Trim Grille
 - (1) 4" Round Micro Trim Grille Aligner
- **SA4-GRILLE-SQR-KIT-T Square Micro Trim Grille Kit | 93721**
 - (1) 4" Square Micro Trim Grille
 - (1) 4" Square Micro Trim Grille Aligner
- **SA4-SP-T-SS-KIT Spacer Kit for Micro Trim or Solid Surface (Round and Square)**
 - (1) 1/2" USA Drywall Spacer (red)
 - (1) 5/8" USA Drywall Spacer (blue)
 - (1) 5/8" Drywall + 5/8" Drywall Spacer (green)
 - (1) 5/8" Drywall + 1/2" Plywood Spacer (purple)
 - (1) 5/8" Drywall + 3/4" Plywood Spacer (yellow)
 - (5) 1mm Depth Shim (white)
 - (6) Flat Head Philips Screws (30mm)
 - (6) Flat Head Philips Screws (50mm)
 - (6) Flat Head Philips Screws (65mm)
- **SA4 Replacement Space Saver Kit (Round and Square) | 93728**
 - (6) Flat Head Philips Screws (30mm)
 - (1) 4" Round Space Saver
 - (1) 4" Square Space Saver
- **SA4-SP-T-SS-KIT Spacer Kit for Micro Trim or Solid Surface (Round and Square) | 93718**
 - (1) 1/2" USA Drywall Spacer (red)
 - (1) 5/8" USA Drywall Spacer (blue)
 - (1) 5/8" Drywall + 5/8" Drywall Spacer (green)
 - (1) 5/8" Drywall + 1/2" Plywood Spacer (purple)
 - (1) 5/8" Drywall + 3/4" Plywood Spacer (yellow)
 - (5) 1mm Depth Shim (white)
 - (1) 0.125" (3.2mm) Depth Spacer (black)
 - (1) 0.25" (6.4mm) Depth Spacer (black)
 - (1) 0.5" (12.7mm) Depth Spacer (black)
 - (1) 1" (25.4mm) Depth Spacer (black)
 - (1) 1.5" (38.1mm) Depth Spacer (black)
 - (6) Flat Head Philips Screws (30mm)
 - (6) Flat Head Philips Screws (50mm)
 - (6) Flat Head Philips Screws (65mm)
- **SA4-SP-GYP-FLUSH-KIT Flush Drywall Spacer Kit (Round and Square) | 93719**
 - (1) 1/2" USA Drywall Spacer (red)
 - (1) 5/8" USA Drywall Spacer (blue)
 - (1) 5/8" Drywall + 5/8" Drywall Spacer (green)
 - (1) 5/8" Drywall + 1/2" Plywood Spacer (purple)
 - (1) 5/8" Drywall + 3/4" Plywood Spacer (yellow)
 - (5) 1mm Depth Shim (white)
 - (1) 0.125" (3.2mm) Depth Spacer (black)
 - (1) 0.25" (6.4mm) Depth Spacer (black)
 - (1) 0.5" (12.7mm) Depth Spacer (black)
 - (1) 1" (25.4mm) Depth Spacer (black)
 - (1) 1.5" (38.1mm) Depth Spacer (black)
 - (6) Flat Head Philips Screws (30mm)
 - (6) Flat Head Philips Screws (50mm)
 - (6) Flat Head Philips Screws (65mm)

REPLACEMENT/INSTALLATION ACCESSORIES (SOLD SEPARATELY)

- **SA4-66-ENC | 93711**
 - (1) SA4-66 Speaker Enclosure
 - (1) 4" Round Space Saver
 - (1) 4" Square Space Saver
 - (6) Flat Head Philips Screws (30mm)
- **SA4-66-MOD | 93710**
 - (1) SA4-66 Speaker Module
 - (6) Flat Head Philips Screws (30mm)
 - (6) Flat Head Philips Screws (50mm)
 - (6) Flat Head Philips Screws (65mm)

- **SA4-TRIMKIT-FLUSH-GYP-RND Flush Drywall Trim Kit (Round) | 93712**
 - (1) 1/2" USA Drywall Spacer (red)
 - (1) 5/8" USA Drywall Spacer (blue)
 - (1) 5/8" Drywall + 5/8" Drywall Spacer (green)
 - (1) 5/8" Drywall + 1/2" Plywood Spacer (purple)
 - (1) 5/8" Drywall + 3/4" Plywood Spacer (yellow)
 - (5) 1mm Depth Shim (white)
 - (1) Mud Ring for Round Flush Trim
 - (1) Round Paint Shield
 - (1) Round Sanding Shield
 - (10) Flat Head Philips Screws (30mm)
 - (10) Flat Head Philips Screws (50mm)
 - (10) Flat Head Philips Screws (65mm)
 - (6) #6 Philips #2 Screws (35mm)
 - (6) #6 Philips #2 Screws (55mm)
 - (6) #6 Philips #2 Screws (70mm)
 - (1) #6 Philips #2 Screws (16mm)
- **SA4-TRIMKIT-FLUSH-GYP-SQR Flush Drywall Trim Kit (Square) | 93722**
 - (1) 1/2" USA Drywall Spacer (red)
 - (1) 5/8" USA Drywall Spacer (blue)
 - (1) 5/8" Drywall + 5/8" Drywall Spacer (green)
 - (1) 5/8" Drywall + 1/2" Plywood Spacer (purple)
 - (1) 5/8" Drywall + 3/4" Plywood Spacer (yellow)
 - (5) 1mm Depth Shim (white)
 - (1) Mud Ring for Square Flush Trim
 - (1) Square Paint Shield
 - (1) Square Sanding Shield
 - (10) Flat Head Philips Screws (30mm)
 - (10) Flat Head Philips Screws (50mm)
 - (10) Flat Head Philips Screws (65mm)
 - (6) #6 Philips #2 Screws (35mm)
 - (6) #6 Philips #2 Screws (55mm)
 - (6) #6 Philips #2 Screws (70mm)
 - (1) #6 Philips #2 Screws (16mm)
- **SA4-GRILLE-RND-KIT-T Micro Trim Grille Kit (Round) | 93720**
 - (1) 4" Round Micro Trim Grille
 - (1) 4" Round Micro Trim Grille Aligner
- **SA4-GRILLE-SQR-KIT-T Micro Trim Grille Kit (Square) | 93721**
 - (1) 4" Square Micro Trim Grille
 - (1) 4" Square Micro Trim Grille Aligner
- **SA4-GRILLE-RND-T | 92723**
 - (1) 4" Micro Trim Round Grille Only
- **SA4-GRILLE-SQR-T | 92724**
 - (1) 4" Micro Trim Square Grille Only
- **SA4-GRILLE-RND-NT | 93725**
 - (1) 4" Trimless Round Grille Only
- **SA4-GRILLE-SQR-NT | 92726**
 - (1) 4" Trimless Square Grille Only

LIMITED FIFTEEN (15) YEAR WARRANTY

Sonance warrants to the first end-user purchaser that this Sonance-brand product ("Product"), when purchased from an authorized Sonance Dealer/Distributor, will be free from defective workmanship and materials for fifteen (15) years, of the Product, except for the grille, which is warranted for five (5) years. Sonance will at its option and expense either repair the defect or replace the Product with a new or remanufactured Product or a reasonable equivalent.

EXCLUSIONS: TO THE EXTENT PERMITTED BY LAW, THE WARRANTY SET FORTH ABOVE IS IN LIEU OF, AND EXCLUSIVE OF, ALL OTHER WARRANTIES, EXPRESS OR IMPLIED, AND IS THE SOLE AND EXCLUSIVE WARRANTY PROVIDED BY SONANCE. ALL OTHER EXPRESS AND IMPLIED WARRANTIES, INCLUDING THE IMPLIED WARRANTIES OF MERCHANTABILITY, IMPLIED WARRANTY OF FITNESS FOR USE, AND IMPLIED WARRANTY OF FITNESS FOR A PARTICULAR PURPOSE ARE SPECIFICALLY EXCLUDED. NO ONE IS AUTHORIZED TO MAKE OR MODIFY ANY WARRANTIES ON BEHALF OF SONANCE.

The warranty stated above is the sole and exclusive remedy and Sonance's performance shall constitute full and final satisfaction of all obligations, liabilities and claims with respect to the Product.

IN ANY EVENT, SONANCE SHALL NOT BE LIABLE FOR CONSEQUENTIAL, INCIDENTAL, ECONOMIC, PROPERTY, BODILY INJURY, OR PERSONAL INJURY DAMAGES ARISING FROM THE PRODUCT, ANY BREACH OF THIS WARRANTY OR OTHERWISE.

This warranty statement gives you specific legal rights, and you may have other rights which vary from state to state. Some states do not allow the exclusion of implied warranties or limitations of remedies, so the above exclusions and limitations may not apply. If your state does not allow disclaimer of implied warranties, the duration of such implied warranties is limited to period of Sonance's express warranty.

Your Product Model and Description: Sonance Small Aperture SA4-66 Speaker.

Additional Limitations and Exclusions from Warranty Coverage: The warranty described above is non-transferable, applies only to the initial installation of the Product, does not include installation of any repaired or replaced Product, does not include damage to allied or associated equipment which may result for any reason from use with this Product, and does not include labor or parts caused by accident, disaster, negligence, improper installation, misuse (e.g. overdriving the amplifier or speaker, excessive heat or cold or humidity, outdoor installation), or from service or repair which has not been authorized by Sonance.

Obtaining Authorized Service: To qualify for the warranty, you must contact your authorized Sonance Dealer/Installer or call Sonance Customer Service at (949) 492-7777, must obtain a return merchandise number (RMA), and must deliver the Product to Sonance shipping prepaid during the warranty period, together with the original sales receipt, or invoice or other satisfactory proof of purchase.

In order to initiate a warranty claim:

1. Contact Sonance Technical Support with a description of the fault, the product's serial number and the date of purchase from an authorized Sonance dealer at: technicalsupport@sonance.com
2. Sonance Technical Support will follow-up and may request additional troubleshooting.
3. Once a determination has been made on the fault, Sonance Customer Service will follow-up by email. Please have a scanned copy of your product's sales invoice ready to send upon request to document the speaker's warranty status.
4. Sonance Customer Service will provide an RMA number to be included on the shipping label of the packaging. Please send the product back in its original factory carton, which has been specifically designed to protect it during transit.

Contact us at: <https://www.sonance.com/company/contact>

SONANCE

©2025 Sonance. All rights reserved. Sonance is a registered trademark of Dana Innovations. Due to continuous product improvement, all features and specifications are subject to change without notice. For the latest Sonance product specification information visit our website: www.sonance.com

SONANCE • 991 Calle Amanecer • San Clemente, CA 92673 USA • PHONE: (949) 492-7777
07.21.2025

