

Use & Care Guide

Manual de uso y cuidado

Guide d'utilisation et d'entretien

English / Español / Français

Table of Contents...2 / Índice...26 / Table des matières...53

Models/Modelos/Modèles: 106.5175\*, 106.5111\*

# Kenmore®

## Side by Side Refrigerator

## Refrigerador de dos puertas

## Réfrigérateur côte à côte

\* = color number, número de color, le numéro de la couleur

P/N W11105304A

Sears Brands Management Corporation

Hoffman Estates, IL, U.S.A. 60179

[www.kenmore.com](http://www.kenmore.com)

[www.sears.com](http://www.sears.com)

Sears Canada Inc.

Toronto, Ontario, Canada M5B 2C3

[www.sears.ca](http://www.sears.ca)



# TABLE OF CONTENTS

<b>WARRANTY</b> .....	<b>2</b>	Crisper Humidity Control.....	<b>16</b>
<b>REFRIGERATOR SAFETY</b> .....	<b>3</b>	<b>FREEZER FEATURES</b> .....	<b>17</b>
Proper Disposal of Your Old Refrigerator.....	4	Freezer Shelf.....	17
<b>INSTALLATION INSTRUCTIONS</b> .....	<b>4</b>	Freezer Bin.....	17
Unpack the Refrigerator.....	4	<b>DOOR FEATURES</b> .....	<b>17</b>
Door Removal, Leveling, and Alignment.....	5	Door Bins.....	17
Handle Installation and Removal.....	7	Door Rails or Bins.....	18
Location Requirements.....	8	<b>REFRIGERATOR CARE</b> .....	<b>18</b>
Electrical Requirements.....	8	Cleaning.....	18
Water Supply Requirements.....	8	Lights.....	19
Connect Water Supply.....	9	Power Interruptions.....	19
Prepare the Water System.....	11	Vacation and Moving Care.....	19
<b>REFRIGERATOR USE</b> .....	<b>11</b>	<b>TROUBLESHOOTING</b> .....	<b>20</b>
Ensuring Proper Air Circulation.....	11	<b>ACCESSORIES</b> .....	<b>24</b>
Using the Controls.....	11	<b>PERFORMANCE DATA SHEET</b> .....	<b>25</b>
Water and Ice Dispensers.....	12	<b>SERVICE NUMBERS</b> .....	<b>BACK COVER</b>
Water Filtration System.....	14	<b>ÍNDICE</b> .....	<b>26</b>
Ice Maker and Storage Bin.....	15	<b>TABLE DES MATIÈRES</b> .....	<b>53</b>
<b>REFRIGERATOR FEATURES</b> .....	<b>16</b>		
Refrigerator Shelves.....	16		
Deli Drawer.....	16		
Convertible Vegetable/Meat Drawer, Crisper and Covers....	16		

## KENMORE APPLIANCE WARRANTY

### KENMORE LIMITED WARRANTY

FOR ONE YEAR from the date of sale this appliance is warranted against defects in material or workmanship when it is correctly installed, operated and maintained according to all supplied instructions.

WITH PROOF OF SALE, a defective appliance will receive free repair or replacement at option of seller.

For warranty coverage details about obtaining free repair or replacement, visit [www.kenmore.com/warranty](http://www.kenmore.com/warranty).

This warranty applies for only 90 DAYS from the sale date in the United States, and is void in Canada, if this appliance is ever used for other than private household purposes.

**This warranty covers ONLY defects in material and workmanship, and will NOT pay for:**

1. Expendable items that can wear out from normal use, including but not limited to filters, belts, bags or screw-in base light bulbs.
2. A service technician to clean or maintain this appliance, or to instruct the user in correct appliance installation, operation and maintenance.
3. Service calls to correct appliance installation not performed by Sears authorized service agents, or to repair problems with house fuses, circuit breakers, house wiring, and plumbing or gas supply systems resulting from such installation.
4. Damage to or failure of this appliance resulting from installation not performed by Sears authorized service agents, including installation that was not in accord with electrical, gas or plumbing codes.
5. Damage to or failure of this appliance, including discoloration or surface rust, if it is not correctly operated and maintained according to all supplied instructions.
6. Damage to or failure of this appliance, including discoloration or surface rust, resulting from accident, alteration, abuse, misuse or use for other than its intended purpose.
7. Damage to or failure of this appliance, including discoloration or surface rust, caused by the use of detergents, cleaners, chemicals or utensils other than those recommended in all instructions supplied with the product.
8. Damage to or failure of parts or systems resulting from unauthorized modifications made to this appliance.

9. Service to an appliance if the model and serial plate is missing, altered, or cannot easily be determined to have the appropriate certification logo.

### Disclaimer of implied warranties; limitation of remedies

Customer's sole and exclusive remedy under this limited warranty shall be product repair or replacement as provided herein. Implied warranties, including warranties of merchantability or fitness for a particular purpose, are limited to one year or the shortest period allowed by law. Seller shall not be liable for incidental or consequential damages. Some states and provinces do not allow the exclusion or limitation of incidental or consequential damages, or limitations on the duration of implied warranties of merchantability or fitness, so these exclusions or limitations may not apply to you.

This warranty applies only while this appliance is used in the United States or Canada\*.

This warranty gives you specific legal rights, and you may also have other rights which vary from state to state.

\*In-home repair service is not available in all Canadian geographical areas, nor will this warranty cover user or service travel and transportation expenses if this product is located in a remote area (as defined by Sears Canada Inc.) where an authorized servicer is not available.

**Sears Brands Management Corporation  
Hoffman Estates, IL 60179**

**Sears Canada Inc.  
Toronto, Ontario, Canada M5B 2C3**

### PRODUCT RECORD

Record your complete model number, serial number, and purchase date. You can find this information on the model and serial number label located on the product.

Have this information available to help you obtain assistance or service more quickly whenever you contact Sears concerning your appliance.

Model number \_\_\_\_\_  
Serial number \_\_\_\_\_  
Purchase date \_\_\_\_\_

**Save these instructions and your sales receipt for future reference.**

## REFRIGERATOR SAFETY

### Your safety and the safety of others are very important.

We have provided many important safety messages in this manual and on your appliance. Always read and obey all safety messages.



This is the safety alert symbol.

This symbol alerts you to potential hazards that can kill or hurt you and others.

All safety messages will follow the safety alert symbol and either the word "DANGER" or "WARNING." These words mean:

**! DANGER**

**You can be killed or seriously injured if you don't immediately follow instructions.**

**! WARNING**

**You can be killed or seriously injured if you don't follow instructions.**

All safety messages will tell you what the potential hazard is, tell you how to reduce the chance of injury, and tell you what can happen if the instructions are not followed.

### IMPORTANT SAFETY INSTRUCTIONS

**WARNING:** To reduce the risk of fire, electric shock, or injury when using your refrigerator, follow these basic precautions:

- Plug into a grounded 3 prong outlet.
- Do not remove ground prong.
- Do not use an adapter.
- Do not use an extension cord.
- Disconnect power before servicing.
- Replace all parts and panels before operating.
- Remove doors from your old refrigerator.
- Connect to a potable water supply only.
- Use nonflammable cleaner.
- Keep flammable materials and vapors, such as gasoline, away from refrigerator.
- Use two or more people to move and install refrigerator.
- Disconnect power before installing ice maker (on ice maker kit ready models only).
- Use a sturdy glass when dispensing ice (on some models).
- Do not hit the refrigerator glass doors (on some models).
- This appliance is not intended for use by persons (including children) with reduced physical, sensory or mental capabilities, or lack of experience and knowledge, unless they have been given supervision or instruction concerning use of the appliance by a person responsible for their safety.
- Children should be supervised to ensure that they do not play with the appliance.

### SAVE THESE INSTRUCTIONS

State of California Proposition 65 Warnings:

WARNING: This product contains one or more chemicals known to the State of California to cause cancer.

WARNING: This product contains one or more chemicals known to the State of California to cause birth defects or other reproductive harm.

## Proper Disposal of Your Old Refrigerator

### **⚠️ WARNING**

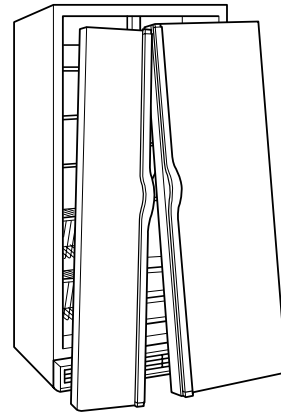
#### **Suffocation Hazard**

**Remove doors from your old refrigerator.  
Failure to do so can result in death or brain damage.**

**IMPORTANT:** Child entrapment and suffocation are not problems of the past. Junked or abandoned refrigerators are still dangerous, even if they will sit for “just a few days.” If you are getting rid of your old refrigerator, please follow these instructions to help prevent accidents.

#### **Before You Throw Away Your Old Refrigerator or Freezer:**

- Take off the doors.
- Leave the shelves in place so that children may not easily climb inside.



#### **Important information to know about disposal of refrigerants:**

Dispose of refrigerator in accordance with Federal and Local regulations. Refrigerants must be evacuated by a licensed, EPA certified refrigerant technician in accordance with established procedures.

## INSTALLATION INSTRUCTIONS

### Unpack the Refrigerator

### **⚠️ WARNING**

#### **Excessive Weight Hazard**

**Use two or more people to move and install panels.  
Failure to do so can result in back or other injury.**

#### **When Moving Your Refrigerator:**

Your refrigerator is heavy. When moving the refrigerator for cleaning or service, be sure to cover the floor with cardboard or hardboard to avoid floor damage. Always pull the refrigerator straight out when moving it. Do not wiggle or “walk” the refrigerator when trying to move it, as floor damage could occur.

#### **Remove the Packaging**

- Remove tape and glue residue from surfaces before turning on the refrigerator. Rub a small amount of liquid dish soap over the adhesive with your fingers. Wipe with warm water and dry.
- Do not use sharp instruments, rubbing alcohol, flammable fluids, or abrasive cleaners to remove tape or glue. These products can damage the surface of your refrigerator. For more information see the “Refrigerator Safety” section.

#### **Clean Before Using**

- After you remove all of the packaging materials, clean the inside of your refrigerator before using it. See the cleaning instructions in the “Refrigerator Care” section.

#### **Important information to know about glass shelves and covers:**

Do not clean glass shelves or covers with warm water when they are cold. Shelves and covers may break if exposed to sudden temperature changes or impact, such as bumping. Tempered glass is designed to shatter into many small, pebble-size pieces. This is normal. Glass shelves and covers are heavy. Use both hands when removing them to avoid dropping.

## Door Removal, Leveling, and Alignment

Gather the required tools and parts and read all instructions before starting installation. Save these instructions for future reference.

**NOTE:** Before moving your product into your home, measure the doorway of your home to see whether you need to remove the refrigerator and freezer doors. If door removal is necessary, see the instructions below.

**IMPORTANT:** Before you begin, unplug refrigerator or disconnect power. Remove food, the ice storage bin (on some models), and any adjustable door or utility bins from doors.

**TOOLS NEEDED:** Bubble level; flat-blade screwdriver; 5/16" and 11/16" wrench; 1/4", 3/8", and 5/16" hex-head socket wrenches, TORX® T30®† screwdriver.



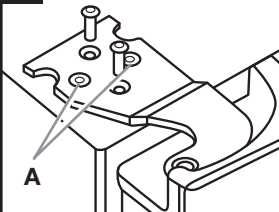
### ⚠ WARNING

**Electrical Shock Hazard**

**Disconnect power before removing doors.**


**Failure to do so can result in death or electrical shock.**

**6 Top Left Hinge**

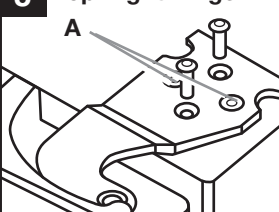


Do not remove A screws.

**7 Door Removal**

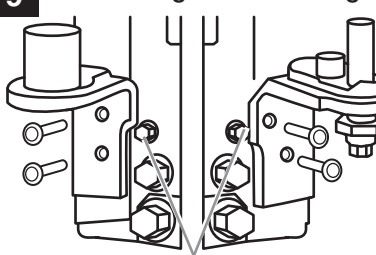


**8 Top Right Hinge**



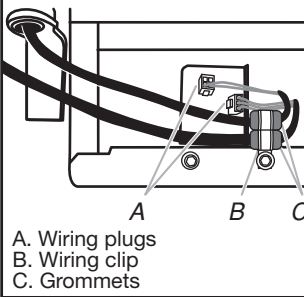
Do not remove A screws.

**9 Left and Right Bottom Hinge**



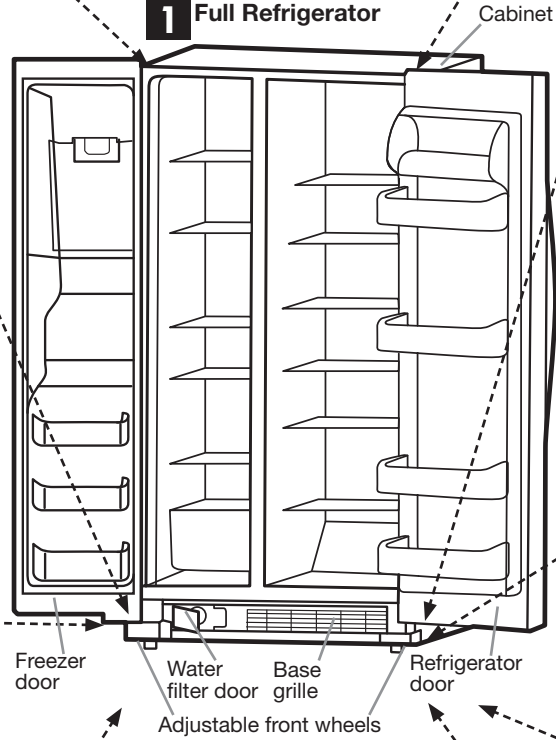
Do not remove B screws.

**5 Wiring**

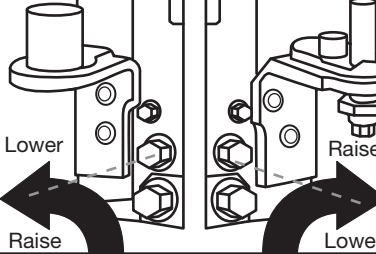


A. Wiring plugs  
B. Wiring clip  
C. Grommets

**1 Full Refrigerator**

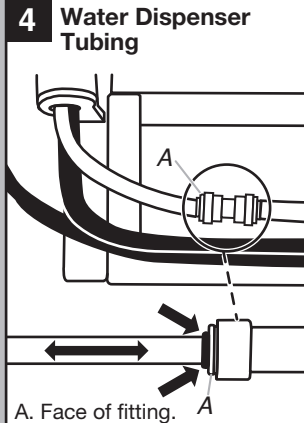


**10 Leveling screws**



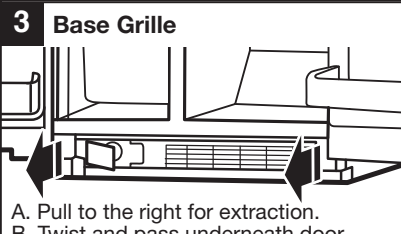
Lower  
Raise

**4 Water Dispenser Tubing**



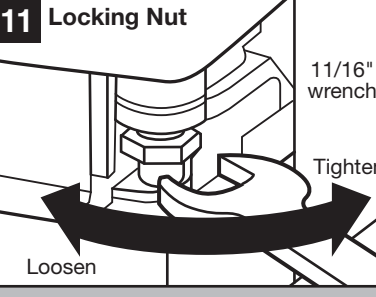
A. Face of fitting.

**3 Base Grille**



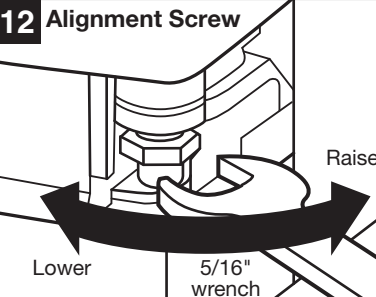
A. Pull to the right for extraction.  
B. Twist and pass underneath door.

**11 Locking Nut**



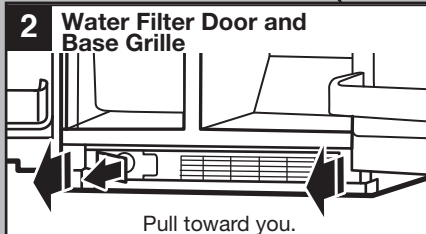
11/16" wrench  
Tighten  
Loosen

**12 Alignment Screw**



Lower  
Raise  
5/16" wrench

**2 Water Filter Door and Base Grille**



Pull toward you.

†TORX and T30 are registered trademarks of Acument Intellectual Properties, LLC.

## Remove the Doors

If your refrigerator does not fit through the doorway or you are getting rid of your old refrigerator, follow the steps below for door removal.

### **WARNING**



#### Electrical Shock Hazard

**Disconnect power before removing doors.**

**Failure to do so can result in death or electrical shock.**

1. Unplug refrigerator or disconnect power.
2. Fully open both doors. See graphic 1.
3. If your model has water dispensing, please open the water filter door by pulling it toward you. See graphic 2. It is not necessary to remove the water filter itself.
4. Pull the base grille toward you from the sides and then from the center until it dislodges. See graphic 2.
5. To remove the base grille, twist and pull the right side until this side passes underneath the refrigerator door. See graphic 3. Then pull the left side of the base grille for complete removal.
6. If your model has water dispensing in the door, disconnect the water dispenser tubing located below the freezer door.
  - Press the blue outer ring against the face of fitting and pull the dispenser tubing free. See graphic 4.

**NOTE:** Keep the water tubing connector attached to the tube that runs underneath the freezer. The door cannot be removed if the connector is still attached to the tube that runs through the door hinge.
7. If your model has water dispensing in the door, disconnect the wiring located below the freezer door. See graphic 5.
  - Remove the wiring clip and the bracket wire using a 1/4" hexagonal head socket wrench.
  - Disconnect the wiring plugs from the bracket wire.
8. Close the freezer door and use a TORX® T30® screwdriver to remove the top hinge completely. See graphic 6.

**IMPORTANT:** Do not remove either screw A. Hold the door while hinge is being removed.
9. Lift the freezer door straight up off from the bottom hinge. See graphic 7. The water dispenser tubing and wiring will remain attached to the freezer door.

**NOTE:** This may require two people, one to lift the door and another to feed the water tubing and wiring into the bottom hinge pin.

**IMPORTANT:** Rest the door on its side on a soft, clean surface, such as a towel, blanket, or piece of cardboard. This will help to avoid scratching or damaging the door, water tubing, and wiring.
10. Close the refrigerator door and use a TORX® T30® screwdriver to remove completely top hinge. See graphic 8.

**IMPORTANT:** Do not remove either screw A. Hold the door while the hinge is being removed.
11. Lift the refrigerator door straight up off from the bottom hinge. See graphic 7.

**IMPORTANT:** Rest the door on its side on a soft, clean surface, such as a towel, blanket, or piece of cardboard. This will help to avoid scratching or damaging the door.

12. If your refrigerator without doors does not pass through the doorway, you may remove both bottom hinges. Use a 5/16" nut driver to remove these. See graphic 9.

**IMPORTANT:** Do not remove either screw B.

## Replacing or Reinstalling Door and Hinges

If your doors and bottom hinges have been removed, please follow the next instructions for reinstallation:

1. Reinstall both bottom hinges using a 5/16" nut driver to tighten screws. See graphic 9.
2. If your model has water dispensing in the door:
  - Lift the freezer door enough to feed the water dispenser tubing and wiring through the bottom hinge pin.

**NOTE:** This may require two people, one to lift the door and the other to feed the water tubing and wiring into the bottom hinge pin. See graphic 7.

  - Insert the freezer door into the bottom hinge pin.

**IMPORTANT:** Hold the door while hinge is being installed.
3. Close the freezer door to align and reinstall the top hinge. Use a TORX® T30® screwdriver to tighten the screws. See graphic 8.

**IMPORTANT:** Provide additional support for the door while top hinge is being reinstalled. Do not depend on the door magnets to assure the door to the cabinet.
4. If your model has water dispensing in the door, connect the water dispenser tubing. For the connection, push the tubing into the dispenser tubing until black mark touches the face of fitting. See graphic 4.
5. Connect the wiring. See graphic 5.
  - Reinstall the wiring clip and the bracket wire using a 1/4" hexagonal head socket wrench.
  - Connect the wiring plugs from the bracket wire.
6. Lift the refrigerator door enough to insert the door into the bottom hinge pin. See graphic 7.

**IMPORTANT:** Hold the door while hinge is being installed.
7. Close the refrigerator door to align and reinstall the top hinge. Use a TORX® T30® screwdriver to tighten the screws. See graphic 6.

**IMPORTANT:** Provide additional support for the door while top hinge is being reinstalled. Do not depend on the door magnets to assure the door to the cabinet.

## Leveling and Door Closing

Your refrigerator has two front adjustable wheels. See graphic 1.

These are used to level the refrigerator under uneven floor conditions or want the doors to close more easily. Please follow the instructions below:

1. Place the refrigerator into its final location in the kitchen and open both doors.
2. Fully open both doors. See graphic 1.
3. If your model has water dispensing in the door, please open the water filter door by pulling it toward you. See graphic 2. It is not necessary to remove the water filter itself.
4. Pull the base grille toward you from the sides and then from the center until it dislodges. See graphic 2.
5. To remove the base grille, twist and pull the right side until this side passes underneath the refrigerator door. See graphic 3. Then pull the left side of the base grille for complete removal.

- Use a 3/8" nut driver to turn the leveling screws located in both sides of the refrigerator. See graphic 10. Depending on uneven floor conditions, you must turn one or both screws to the right or left several times to raise or lower the refrigerator. Until the refrigerator is steady, use a bubble level if necessary.
- Close both doors and check that they close as easily as you like. If not, turn both screws to the right to raise the refrigerator by tilting it more to the back until the doors close as easily as you like.
- Check and make sure that the technician sheet is placed in the base grille cavity before assembling this into the cabinet.
- Reinstall the base grille into the cabinet, introducing the left side first and then the right side of the base grille. See graphic 3. You may accommodate the water dispenser tubing and wiring into base grille cavity below the left bottom hinge.
- Attach the base grille pushing into the cabinet clips. See graphic 2.

## Door Alignment

The refrigerator doors are designed to be slightly misaligned vertically when the refrigerator is empty. Please follow the next steps to align the refrigerator doors.

- Use an 11/16" open-ended wrench tool to loosen the locking nut located below the refrigerator door. See graphic 11. Accommodate the wrench tool so that it fits in the space.
- Use a 5/16" open-ended wrench tool to turn the alignment screw. See picture 12. Depending on how the refrigerator door is misaligned in relation to the freezer door, you must turn the screw to the right to raise or to the left to lower the refrigerator door until both doors have been aligned vertically.
- Tighten the 11/16" locking nut with the wrench tool.
- Attach the base grille if it was dislodged.

## Handle Installation and Removal

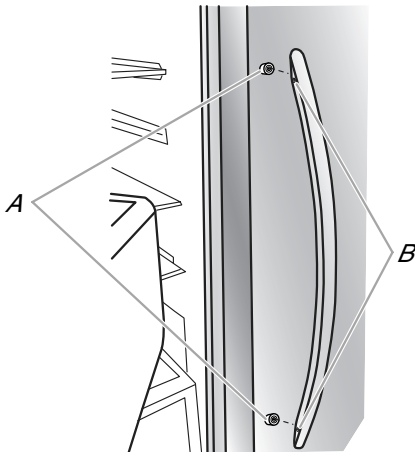
**PARTS INCLUDED:** Door handles (2), 1/8" hex key, spare setscrew(s).

### To Install the Handles:

**NOTE:** The handle mounting setscrews are preinstalled in the handle.

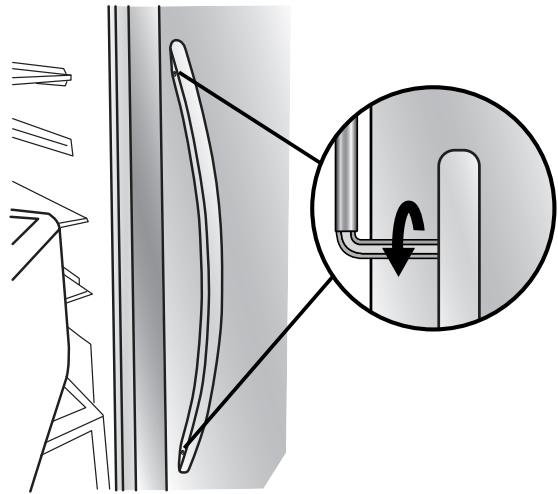
- Remove the handles, which are packed inside the refrigerator.
 

**NOTE:** To avoid scratching the finish, place the handles on a towel or other soft surface.
- Open the freezer door. On the refrigerator door, place the handle on the shoulder screws with the setscrews facing the freezer.



A. Shoulder screws  
B. Setscrews inside the handle

- Firmly push the handle toward the door until the handle base is flush against the door.
- While holding the handle, insert the short end of the hex key into the upper hole and slightly rotate the hex key until it is engaged in the setscrew.



- Using a clockwise motion, tighten the setscrew until it begins to contact the shoulder screw.
- Repeat steps 4 and 5 to begin fastening the lower setscrew.
- Once both setscrews have been partially tightened as outlined in the previous steps, fully tighten both the upper and lower setscrews.
 

**IMPORTANT:** When the screws feel tight, tighten them an additional quarter-turn. The handle is not properly installed without this extra tightening.
- Open the refrigerator door and close the freezer door. Repeat steps 2 through 7 to install the other handle onto the freezer door with the setscrews facing the refrigerator.
- Save the hex key and all instructions.

### To Remove the Handles:

- While holding the handle, insert the short end of the hex key into the lower setscrew hole and slightly rotate the hex key until it is engaged in the setscrew.
- Using a counterclockwise motion, loosen the setscrew a quarterturn at a time.
- Repeat steps 1 and 2 for the upper setscrew. Gently pull the handle away from the door.
- If necessary, use a Phillips screwdriver to remove the shoulder screws from the door.

## Location Requirements

### **⚠ WARNING**



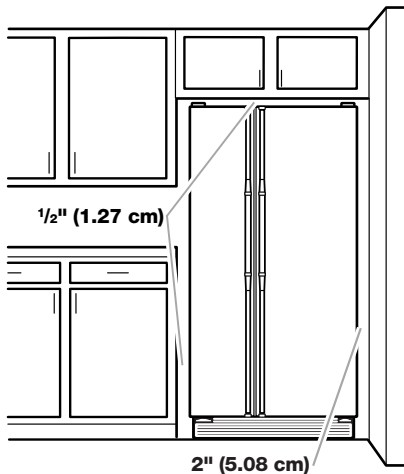
#### Explosion Hazard

Keep flammable materials and vapors, such as gasoline, away from refrigerator.

Failure to do so can result in death, explosion, or fire.

**IMPORTANT:** This refrigerator is designed for indoor household use only.

To ensure proper ventilation for your refrigerator, allow for 1/2" (1.27 cm) of space on each side and at the top. Allow for 2" (5.08 cm) of space behind the refrigerator. If your refrigerator has an ice maker, allow extra space at the back for the water line connections. When installing your refrigerator next to a fixed wall, leave a 2" (5.08 cm) minimum space on each side (depending on your model) to allow the doors to swing open.



#### NOTES:

- This refrigerator is intended for use in a location where the temperature ranges from a minimum of 55°F (13°C) to a maximum of 110°F (43°C). The preferred room temperature range for optimum performance, which reduces electricity usage and provides superior cooling, is between 60°F (15°C) and 90°F (32°C). It is recommended that you do not install the refrigerator near a heat source, such as an oven or radiator.
- Normal minimum cabinet cut-out width required for product installation is 36" (91.44 cm). However, if the product is placed against an extended wall and the ability to remove the crisper pans is desired, an additional 18" (45.72 cm) of cabinet width is required, so a total cabinet opening width of 54" (137.16 cm) is recommended.

## Electrical Requirements

### **⚠ WARNING**



#### Electrical Shock Hazard

Plug into a grounded 3 prong outlet.

Do not remove ground prong.

Do not use an adapter.

Do not use an extension cord.

Failure to follow these instructions can result in death, fire, or electrical shock.

Before you move your refrigerator into its final location, it is important to make sure you have the proper electrical connection.

#### Recommended Grounding Method

A 115 volt, 60 Hz, A-C only, 15- or 20-amp fused, grounded electrical supply is required. It is recommended that a separate circuit serving only your refrigerator be provided. Use an outlet that cannot be turned off by a switch. Do not use an extension cord.

**NOTE:** Before performing any type of installation or cleaning, or removing a light bulb, disconnect the refrigerator from the electrical source. When you are finished, reconnect the refrigerator to the electrical source and reset the control (Thermostat, Refrigerator, or Freezer Control depending on the model) to the desired setting. See "Using the Controls" in the User Instructions, User Guide, or Use and Care Guide.

## Water Supply Requirements

Gather the required tools and parts before starting installation. Read and follow the instructions provided with any tools listed here.

#### TOOLS NEEDED:

- Flat-blade screwdriver
- 1/4" nut driver
- 7/16" and 1/2" open-end or two adjustable wrenches
- 1/4" drill bit
- Cordless drill

**NOTE:** Your refrigerator dealer has a kit available with a 1/4" (6.35 mm) saddle-type shutoff valve, a union, and copper tubing. Before purchasing, make sure a saddle-type valve complies with your local plumbing codes. Do not use a piercing-type or 3/16" (4.76 mm) saddle valve which reduces water flow and clogs more easily.

#### IMPORTANT:

- All installations must meet local plumbing code requirements.
- Use copper tubing and check for leaks. Install copper tubing only in areas where the household temperatures will remain above freezing.

## Water Pressure

A cold water supply with water pressure of between 30 and 120 psi (207 and 827 kPa) is required to operate the water dispenser and ice maker. If you have questions about your water pressure, call a licensed, qualified plumber.

- If your refrigerator has a water dispenser: After installation is complete, use the water dispenser to check the water pressure.
  - With the water filter removed, dispense 1 cup (237 mL) of water. If 1 cup of water is dispensed in 8 seconds or less, the water pressure to the refrigerator meets the minimum requirement.
  - If it takes longer than 8 seconds to dispense 1 cup of water, the water pressure to the refrigerator is lower than recommended. See the "Troubleshooting" section for suggestions.

## Reverse Osmosis Water Supply

**IMPORTANT:** The pressure of the water supply coming out of a reverse osmosis system going to the water inlet valve of the refrigerator needs to be between 30 and 120 psi (207 and 827 kPa).

If a reverse osmosis water filtration system is connected to your cold water supply, the water pressure to the reverse osmosis system needs to be a minimum of 40 to 60 psi (276 to 414 kPa).

If the water pressure to the reverse osmosis system is less than 40 to 60 psi (276 to 414 kPa):

- Check to see whether the sediment filter in the reverse osmosis system is blocked. Replace the filter if necessary.
- Allow the storage tank on the reverse osmosis system to refill after heavy usage.
- If your refrigerator has a water filter, it may further reduce the water pressure when used in conjunction with a reverse osmosis system. Remove the water filter. See the "Water Filtration System" section in the User Instructions, User Guide, or Use & Care Guide.

If you have questions about your water pressure, call a licensed, qualified plumber.

## Connect Water Supply

Read all directions before you begin.

### IMPORTANT:

- Plumbing shall be installed in accordance with the International Plumbing Code and any local codes and ordinances.
- The gray water tubing on the back of the refrigerator (which is used to connect to the household water line) is a PEX (crosslinked polyethylene) tube. Copper and PEX tubing connections from the household water line to the refrigerator are acceptable, and will help avoid offtaste or odor in your ice or water. Check for leaks.
- Install tubing only in areas where temperatures will remain above freezing.

### TOOLS NEEDED:

Gather the required tools and parts before starting installation.

- Flat-blade screwdriver
- 7/16" and 1/2" open-end wrenches or two adjustable wrenches
- 1/4" nut driver

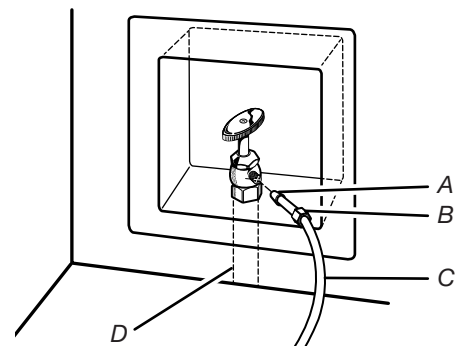
## Connect to Water Line

**IMPORTANT:** If you turn the refrigerator on before the water line is connected, turn the ice maker off.

### Style 1 (Recommended)

1. Unplug refrigerator or disconnect power.
2. Turn off main water supply. Turn on nearest faucet long enough to clear line of water.
3. Use a quarter-turn shutoff valve or the equivalent, served by a 1/2" copper household supply line.

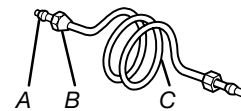
**NOTE:** To allow sufficient water flow to the refrigerator, a minimum 1/2" size copper household supply line is recommended.



A. Bulb      C. Copper tubing (to refrigerator)  
B. Nut      D. Household supply line (1/2" minimum)

4. Now you are ready to connect the copper tubing to the shutoff valve. Use 1/4" (6.35 mm) O.D. (outside diameter) soft copper tubing to connect the shutoff valve and the refrigerator.

- Ensure that you have the proper length needed for the job. Be sure both ends of the copper tubing are cut square.
- Slip compression sleeve and compression nut onto copper tubing as shown. Insert end of tubing into outlet end squarely as far as it will go. Screw compression nut onto outlet end with adjustable wrench. Do not overtighten.



A. Compression sleeve      C. Copper tubing  
B. Compression nut

5. Place the free end of the tubing into a container or sink, and turn on main water supply to flush out tubing until water is clear. Turn off shutoff valve on the water pipe.

**NOTE:** Always drain the water line before making the final connection to the inlet of the water valve to avoid possible water valve malfunction.

6. Bend the copper tubing to meet the water line inlet, which is located on the back of the refrigerator cabinet as shown. Leave a coil of copper tubing to allow the refrigerator to be pulled out of the cabinet or away from the wall for service.

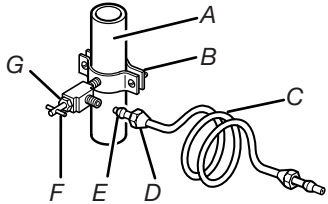
### Style 2

1. Unplug refrigerator or disconnect power.
2. Turn off main water supply. Turn on nearest faucet long enough to clear line of water.
3. Locate a 1/2" (1.27 cm) to 1/4" (3.18 cm) vertical cold water pipe near the refrigerator.

**IMPORTANT:**

- Make sure it is a cold water pipe.
- Horizontal pipe will work, but drill on the topside of the pipe, not the bottom. This will help keep water away from the drill and normal sediment from collecting in the valve.

4. Determine the length of copper tubing you need. Measure from the connection on the lower rear corner of refrigerator to the water pipe. Add 7 ft (2.1 m) to allow for cleaning. Use 1/4" (6.35 mm) O.D. (outside diameter) copper tubing. Be sure both ends of copper tubing are cut square.
5. Using a cordless drill, drill a 1/4" (6.35 mm) hole in the cold water pipe you have selected.



A. Cold water pipe  
 B. Pipe clamp  
 C. Copper tubing  
 D. Compression nut  
 E. Compression sleeve  
 F. Shutoff valve  
 G. Packing nut

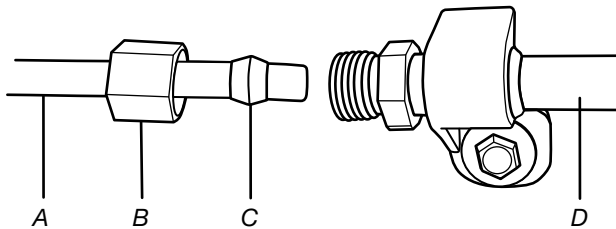
6. Fasten the shutoff valve to the cold water pipe with the pipe clamp. Be sure the outlet end is solidly in the 1/4" (6.35 mm) drilled hole in the water pipe and that the washer is under the pipe clamp. Tighten the packing nut. Tighten the pipe clamp screws slowly and evenly so the washer makes a watertight seal. Do not overtighten, or you may crush the copper tubing.
7. Slip the compression sleeve and compression nut on the copper tubing as shown. Insert the end of the tubing into the outlet end squarely as far as it will go. Screw the compression nut onto outlet end with adjustable wrench. Do not overtighten.
8. Place the free end of the tubing in a container or sink, and turn on the main water supply. Flush the tubing until water is clear. Turn off the shutoff valve on the water pipe. Coil the copper tubing.

**Connect to Refrigerator**

**Style 1**

1. Unplug refrigerator or disconnect power.
2. Remove and discard the short, black plastic part from the end of the water line inlet.
3. Thread the nut onto the end of the tubing. Tighten the nut by hand. Then tighten it with a wrench two more turns. Do not overtighten.

**NOTE:** To avoid rattling, be sure the copper tubing does not touch the cabinet's side wall or other parts inside the cabinet.



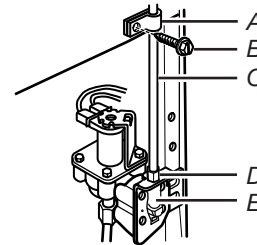
A. Household water line  
 B. Nut (purchased)  
 C. Ferrule (purchased)  
 D. Refrigerator water tubing

4. Install the water supply tube clamp around the water supply line to reduce strain on the coupling.

5. Turn shutoff valve on.
6. Check for leaks. Tighten any connections (including connections at the valve) or nuts that leak.

**Style 2**

1. Unplug refrigerator or disconnect power.
2. Remove and discard the plastic part that is attached to the inlet of the water valve.
3. Attach the copper tube to the valve inlet using a compression nut and sleeve as shown. Tighten the compression nut. Do not overtighten.
4. Use the tube clamp on the back of the refrigerator to secure the tubing to the refrigerator as shown. This will help avoid damage to the tubing when the refrigerator is pushed back against the wall.
5. Turn shutoff valve on.
6. Check for leaks. Tighten any connections (including connections at the valve) or nuts that leak.



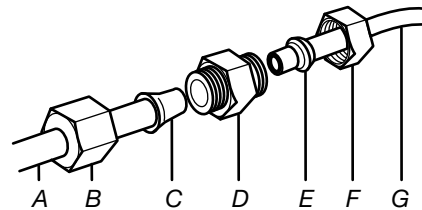
A. Tube clamp  
 B. Tube clamp screw  
 C. Copper tubing  
 D. Compression nut  
 E. Valve nut

7. On some models, the ice maker is equipped with a built-in water strainer. If your water conditions require a second water strainer, install it in the 1/4" (6.35 mm) water line at either tube connection. Obtain a water strainer from your nearest appliance dealer.

**Style 3**

1. Unplug refrigerator or disconnect power.
2. Remove and discard the black nylon plug from the gray water tube on the rear of the refrigerator.
3. If the gray water tube supplied with the refrigerator is not long enough, a 1/4" x 1/4" (6.35 mm x 6.35 mm) coupling is needed in order to connect the water tubing to an existing household water line. Thread the provided nut onto the coupling on the end of the copper tubing.

**NOTE:** Tighten the nut by hand. Then tighten it with a wrench two more turns. Do not overtighten.



A. Refrigerator water tubing  
 B. Nut (provided)  
 C. Bulb  
 D. Coupling (purchased)  
 E. Ferrule (purchased)  
 F. Nut (purchased)  
 G. Household water line

4. Turn shutoff valve on.
5. Check for leaks. Tighten any nuts or connections (including connections at the valve) that leak.



## Complete the Installation

### ⚠ WARNING



#### Electrical Shock Hazard

- Plug into a grounded 3 prong outlet.
- Do not remove ground prong.
- Do not use an adapter.
- Do not use an extension cord.
- Failure to follow these instructions can result in death, fire, or electrical shock.

1. Plug into a grounded 3 prong outlet.
2. Flush the water system. See the “Prepare the Water System” or “Water and Ice Dispensers” sections.

**NOTE:** Allow 24 hours to produce the first batch of ice. Allow 72 hours to completely fill ice container.

### Prepare the Water System

Please read before using the water system.

Immediately after installation, follow the steps below to make sure that the water system is properly cleaned.

1. Open the freezer door and turn off the ice maker. See the “Ice Maker and Storage Bin” section.

**NOTE:** If your model has a water filter, make sure the filter is properly installed. See the “Water Filtration System” section.

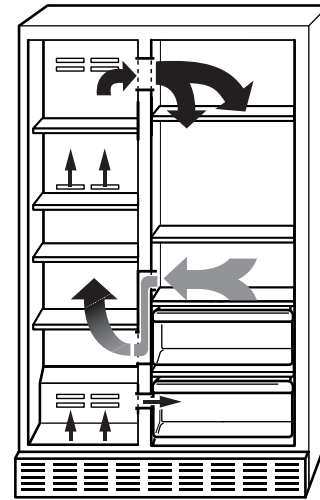
Do not use with water that is microbiologically unsafe or of unknown quality without adequate disinfection before or after the system. Systems certified for cyst reduction may be used on disinfected waters that may contain filterable cysts.

2. Flush the water system. Use a sturdy container to depress and hold the water dispenser lever for 5 seconds, and then release it for 5 seconds. Repeat until water begins to flow. Once water begins to flow, continue depressing and releasing the dispenser lever (5 seconds on, 5 seconds off) until a total of 3 gal. (12 L) has been dispensed. This will flush air from the filter and water dispensing system and prepare the water filter for use. Additional flushing may be required in some households. As air is cleared from the system, water may spurt out of the dispenser.
3. Open the freezer door and turn on the ice maker. See the “Ice Maker and Storage Bin” section.
  - Allow 24 hours to produce the first batch of ice.
  - Discard the first three batches of ice produced.

## Refrigerator Use

### Ensuring Proper Air Circulation

In order to ensure proper temperatures, you need to permit air to flow between the two sections. Cold air enters the bottom of the freezer section and moves up. It then enters the refrigerator section through the top vent. Air then returns to the freezer as shown.



Do not block any airflow vents. If the vents are blocked, airflow will be obstructed and temperature and moisture problems may occur.

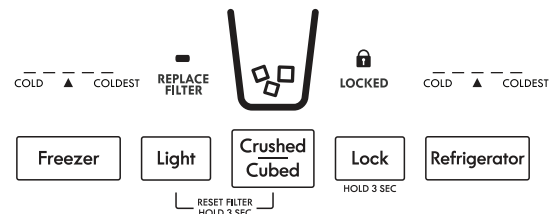
**IMPORTANT:** Because air circulates between both sections, any odors formed in one section will transfer to the other. You must thoroughly clean both sections to eliminate odors. To avoid odor transfer and drying out of food, wrap or cover foods tightly.

### Using the Controls

The refrigerator and freezer controls are located on the dispenser panel.

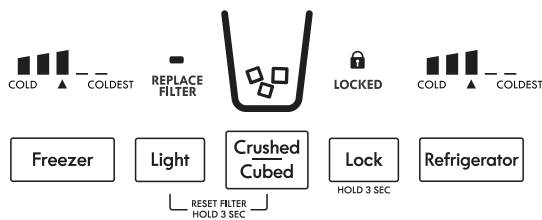
**IMPORTANT:** The display screen on the dispenser control panel will turn off automatically and enter “sleep” mode when the control buttons and dispenser pad have not been used for 2 minutes or more. While in “sleep” mode, the first press of a control button will only reactivate the display screen, without changing any settings.

- Touch any control button on the dispenser panel to activate the display screen. The home screen will appear as shown.



### Adjusting the Controls

For your convenience, your refrigerator and freezer controls are preset at the factory. When you first install your refrigerator, make sure that both controls, the refrigerator and freezer, are still set to the recommended “mid-setting”. This will be displayed in the sequence of bars with three illuminated bars.



**IMPORTANT:**

Wait 24 hours before you put food into the refrigerator. If you add food before the refrigerator has cooled completely, your food may spoil.

**NOTE:** Adjusting the set points to a colder than recommended settings will not cool the compartments any faster.

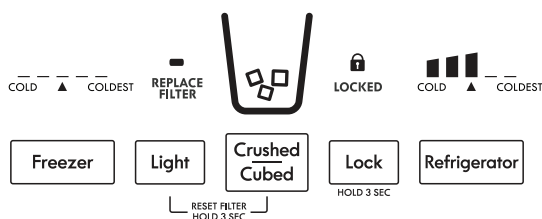
- If the temperature is too warm or too cold in the refrigerator or freezer, first check the air vents to be sure they are not blocked before adjusting the controls.
- The preset settings should be correct for normal household usage. The controls are set correctly when milk or juice is as cold as you like and when ice cream is firm.
- Wait at least 24 hours between adjustments. Recheck the temperatures before other adjustments are made. If you need to adjust temperature in the refrigerator or freezer, use the settings listed in the chart below as a guide. Wait at least 24 hours between adjustments.

Condition/reason:	Adjustment:
Refrigerator too warm	Refrigerator control one setting higher
Freezer too warm/ too little ice	Freezer control one setting higher
Refrigerator too cold	Refrigerator control one setting lower
Freezer too cold	Freezer control one setting lower

The set point range is “1 bar” (least cold) to “5 bars” (coldest)

**Refrigerator Control:**

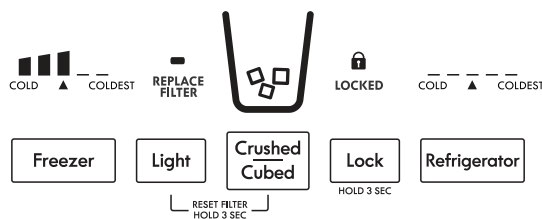
- Press REFRIGERATOR to view the current set point for the refrigerator.



- Press REFRIGERATOR again to adjust the set point. The setting will increase by 1 bar with each press of the button, returning to 1 bar after reaching 5. After 2 minutes of inactivity, any changes will be saved and the display will return to the home screen.

**Freezer Control:**

- Press FREEZER to view the current set point for the freezer.



- Press FREEZER again to adjust the set point. The setting will increase by 1 bar with each press of the button, returning to 1 bar after reaching 5. After 2 minutes of inactivity, any changes will be saved and the display will return to the home screen.

**Water and Ice Dispensers**

Depending on your model, you may have one or more of the following options: the ability to select either crushed or cubed ice, a special light that turns on when you use the dispenser, or a lock option to avoid unintentional dispensing.

**NOTES:**

- The dispensing system will not operate when either door (refrigerator or freezer) is open.
- Allow 24 hours for the refrigerator to cool down and chill water.
- Allow 24 hours to produce the first batch of ice. Discard the first three batches of ice produced. Wait 72 hours for full ice production. Also, take large amounts of ice from the ice bin rather than through the dispenser.
- The display screen on the dispenser control panel will turn off automatically and enter “sleep” mode when the control buttons and dispenser lever have not been used for 2 minutes or more. While in “sleep” mode, the first press of a control button will only reactivate the display screen, without changing any settings.

**Flush the Water System**

Air in the water dispensing system can cause the water dispenser to drip. After connecting the refrigerator to a water source or replacing the water filter, flush the water system. Flushing the water dispensing system forces air from the water line and filter, and prepares the water filter for use.

**NOTE:** As air is cleared from the system, water may spurt out of the dispenser.

1. Using a sturdy container, depress and hold the water dispenser lever for 5 seconds, and then release it for 5 seconds.
2. Repeat Step 1 until water begins to flow.
3. Once water begins to flow, continue depressing and releasing the dispenser lever (5 seconds on, 5 seconds off) until a total of 3 gal. (12 L) has been dispensed.

Additional flushing may be required in some households.



## The Water Dispenser

### IMPORTANT:

- Dispense at least 1 qt (1 L) of water every week to maintain a fresh supply.
- If the flow of water from the dispenser decreases, it could be caused by low water pressure.
  - With the water filter removed, dispense 1 cup (237 mL) of water. If 1 cup of water is dispensed in 8 seconds or less, the water pressure to the refrigerator meets the minimum requirement.
  - If it takes longer than 8 seconds to dispense 1 cup of water, the water pressure to the refrigerator is lower than recommended. See the “Water Supply Requirements” or “Troubleshooting” section for suggestions.

### To Dispense Water:

1. Press a sturdy glass against the water dispenser lever. Hold the glass close to the water dispenser spout to ensure that the water dispenses into the glass.
2. Remove the glass to stop dispensing.

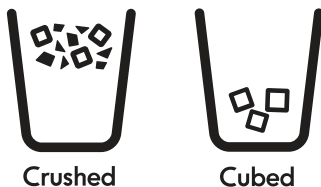
**IMPORTANT:** The small tray at the bottom of the dispenser is designed to catch small spills and allow for easy cleaning. There is no drain in the tray.

## The Ice Dispenser

Ice dispenses from the ice maker storage bin in the freezer when the dispenser lever is pressed. To turn off the ice maker, see the “Ice Maker and Storage Bin” section.

Your ice maker can produce both crushed and cubed ice. Before dispensing ice, select which type of ice you prefer by pressing the Ice Type button.

The display screen indicates which type of ice is selected.




For crushed ice, cubes are crushed before they are dispensed. This may cause a slight delay when dispensing crushed ice. Noise from the ice crusher is normal, and pieces of ice may vary in size. When changing from crushed to cubed, a few ounces of crushed ice will be dispensed along with the first cubes.

### To Dispense Ice:

1. Press button for the desired type of ice.

**⚠ WARNING**



**Cut Hazard**

**Use a sturdy glass when dispensing ice.**

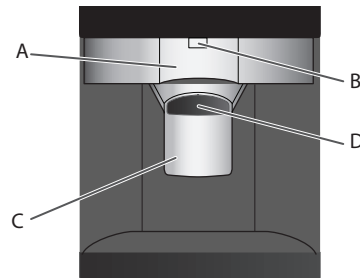
**Failure to do so can result in cuts.**

2. Press a sturdy glass against the dispenser lever. Hold the glass close to the ice guide to ensure that the ice dispenses into the glass.

**IMPORTANT:** You do not need to apply a lot of pressure to the lever in order to activate the ice dispenser. Pressing hard will not make the ice dispense faster or in greater quantities.

3. Remove the glass to stop dispensing.

**NOTE:** Ice may continue to dispense for several seconds after removing the glass. The dispenser may continue to make noise for a few seconds after dispensing.



- A. Water dispenser lever
- B. Water dispenser spout
- C. Ice dispenser lever
- D. Ice guide

## The Dispenser Light

When you use the dispenser, the light will automatically turn on.

- If you want the light to be on continuously, press LIGHT.
- Press LIGHT again to turn the dispenser light off. The dispenser lights are LEDs that cannot be changed. If it appears that your dispenser lights are not working, see the “Troubleshooting” section for more information.

## The Dispenser Lock

The dispenser can be turned off for easy cleaning or to avoid unintentional dispensing by small children and pets.

**NOTE:** The lock feature does not shut off power to the refrigerator, to the ice maker, or to the dispenser light. It simply deactivates the dispenser lever. To turn off the ice maker, see the “Ice Maker and Storage Bin” section.

- Press and hold LOCK for 3 seconds to lock the dispenser.
- Press and hold LOCK button a second time to unlock the dispenser.



**LOCKED**

- The display screen indicates when the dispenser is locked.

## Water Filtration System

Do not use with water that is microbiologically unsafe or of unknown quality without adequate disinfection before or after the system. Systems certified for cyst reduction may be used on disinfected waters that may contain filterable cysts.

### Water Filter Status Light (on some models)

The filter status light will help you know when to change your water filter.

- Replace the water filter cartridge when the water filter status display changes to turn on.

**NOTE:** If water flow to your water dispenser or ice maker decreases noticeably, change the filter sooner. The filter should be replaced at least every 6 months, depending on your water quality and usage.

**REPLACE  
FILTER**

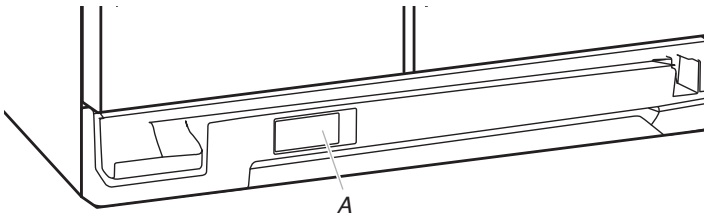
### Resetting the Filter Status

- After changing the filter, press and hold LIGHT and ICE TYPE for 3 seconds to reset the filter status light.

The status light will turn off when the system is reset.

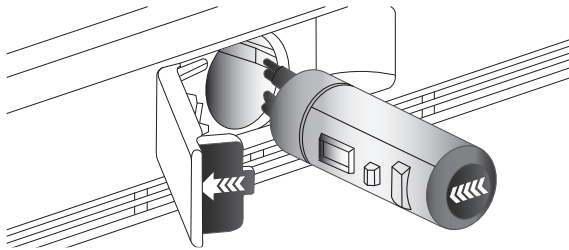
### Changing the Water Filter

#### Style 1



A. Water filter cover door.

1. Locate the water filter cover door in the base grille, and pull open the filter door. The filter will be released and then be ejected as the door is opened.
2. When the door is completely open, pull the filter straight out.



**NOTE:** There may be some water in the filter. Some spilling may occur. Use a towel to wipe up any spills.

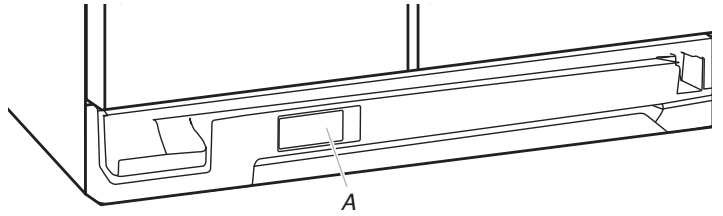
3. Take the new filter out of its packaging and remove the covers from the O-rings. Be sure the O-rings are still in place after the covers are removed.
4. With the arrow pointing to the left (toward the filter cover door's hinge), align the new filter with the filter housing and slide into place. The filter cover door will automatically begin to close as the new filter is inserted.

5. Close the filter cover door completely in order to snap the filter into place. You may need to press hard.

6. Flush the system. See the "Water and Ice Dispensers" section.

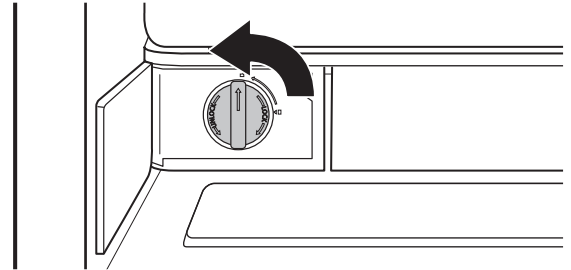
#### Style 2

1. Locate the water filter cover door in the base grille, and pull open the filter door.

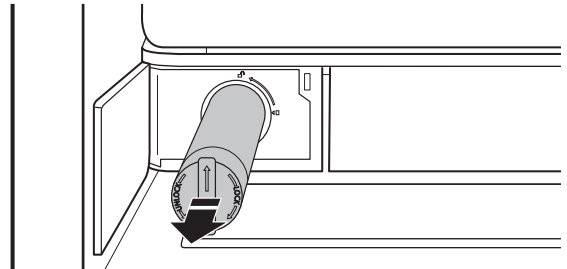


A. Water filter cover door.

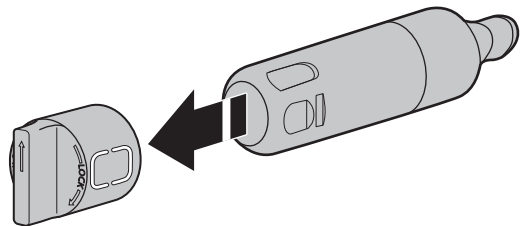
2. Twist the water filter and turn 90° counterclockwise to unlock.



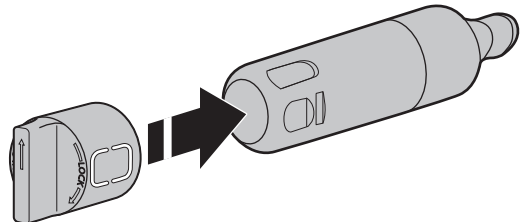
3. Pull the filter out of the housing.



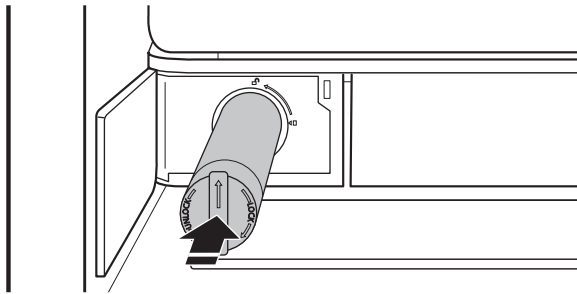
4. Remove the water filter cap from the water filter.



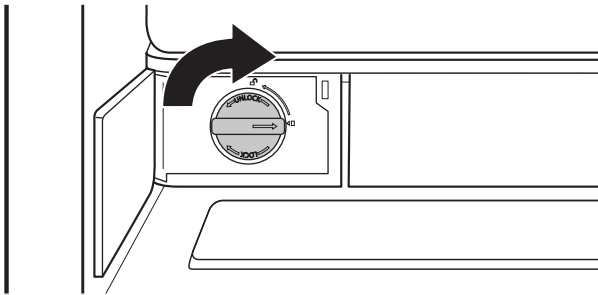
5. Install the water filter cap onto the new filter. Be sure to align the arrows so the grooves in filter align with ribs in filter cap.



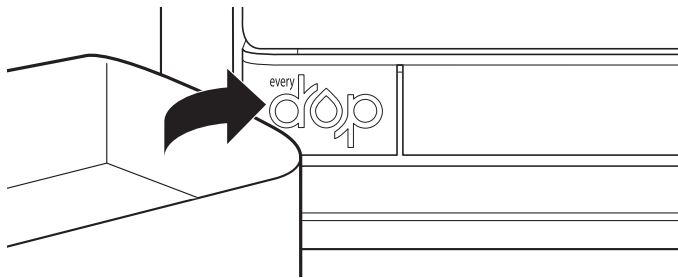
6. Insert the filter into the housing.



7. Twist the water filter and turn 90° clockwise until it locks into place and the arrows are aligned.



8. Push the water filter door closed.



### Ice Maker and Storage Bin

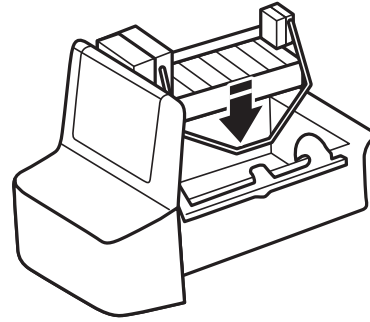
- Allow 24 hours to produce the first batch of ice. Discard the first three batches of ice produced.
- The quality of your ice will be only as good as the quality of the water supplied to your ice maker. Avoid connecting the ice maker to a softened water supply. Water softener chemicals (such as salt) can damage parts of the ice maker and lead to poor quality ice. If a softened water supply cannot be avoided, make sure the water softener is operating properly and is well maintained.
- Do not use anything sharp to break up the ice in the storage bin. This can cause damage to the ice container and the dispenser mechanism.
- Do not store anything on top of or in the ice maker or storage bin.

### Turning the Ice Maker On/Off

#### Style 1

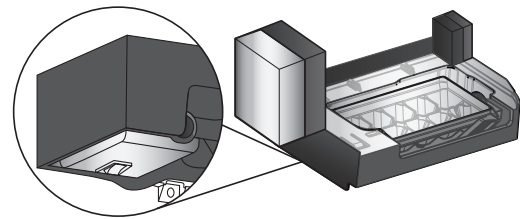
- To turn on the ice maker, lift open the ice maker door and lower the wire shutoff arm to the On (down) position.
- To manually turn off the ice maker, lift the wire shutoff arm to the Off (up) position and listen for the click. Ice can still be dispensed, but no more can be made.

**NOTE:** Your ice maker has an automatic shutoff. As ice is made, the ice cubes will fill the ice storage bin, and the ice cubes will raise the wire shutoff arm to the Off (up) position. Do not force the wire shutoff arm up or down.



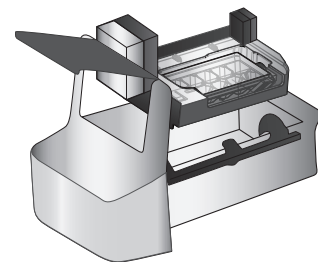
#### Style 2

The On/Off switch is located on the bottom of the Ice Maker. It can be accessed by lifting and opening the ice make door.



- To turn on the ice maker, lift open the ice maker door and flip the switch to the On (right) position.
- To manually turn off the ice maker, lift open the ice maker door and flip the switch to the Off (left) position. Ice can still be dispensed, but no more can be made.

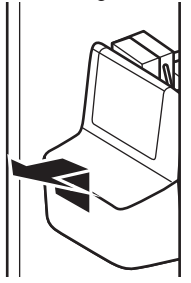
**NOTE:** Your ice maker has an automatic shutoff to keep the storage bin from overflowing during normal operation. As ice is made, the ice cubes will fill the storage bin, and the ice cubes will raise the shutoff arm to the Off (up) position. When the storage bin is at full capacity, the ice maker will automatically stop ice production, but the ice maker On/Off switch will remain in the On (right) position.



### Removing and Replacing the Ice Storage Bin

1. Lift and hold open the ice maker door.
2. Lift the wire shutoff arm so it clicks into the Off (up) position, or flip the switch to the Off (left) position. Release the ice maker door.

- Lift up the front of the storage bin and pull it out.



- Replace the bin by pushing it in all the way, or the dispenser will not work.
- To restart ice production, lift open the ice maker door and push the wire shutoff arm to the On (down) position or flip the switch to the On (right) position. Make sure the door is closed tightly.

## REFRIGERATOR FEATURES

Your model may have some or all of these features.

### Important information to know about glass shelves and covers:

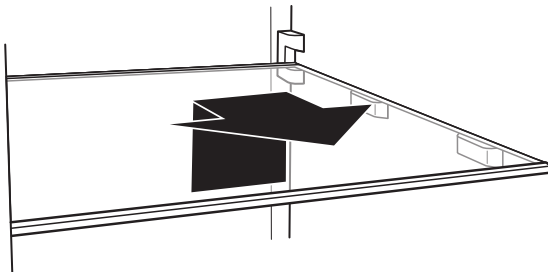
Do not clean glass shelves or covers with warm water when they are cold. Shelves and covers may break if exposed to sudden temperature changes or impact, such as bumping. Tempered glass is designed to shatter into many small, pebble-size pieces. This is normal. Glass shelves and covers are heavy. Use both hands when removing them to avoid dropping.

### Refrigerator Shelves (number of shelves varies by model)

Store similar foods together and adjust the shelves to fit different heights. This reduces the time the refrigerator door is open and saves energy.

#### To Remove and Replace a Shelf:

- Lift the back of the shelf to remove from the ribs. Pull the shelf forward until it is released.
- Replace the shelf by aligning the shelf with the ribs. Slide the shelf onto the shelf supports. Be sure that the shelf is securely in position.



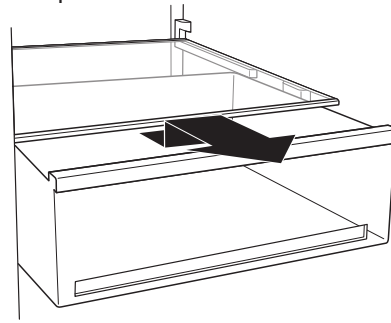
### Deli Drawer (on some models)

The deli drawer stores raisins, nuts, spreads, and other small items at normal refrigerator temperatures.

#### To Remove and Replace the Deli Drawer:

- Remove the deli drawer by sliding it straight out to the stop. Lift the front and out of the ribs. Tilt the drawer sideways to remove it from the refrigerator compartment.

- Replace the deli drawer by sliding it back past the stop and pushing it into place.



### Convertible Vegetable/Meat Drawer, Crisper and Covers (on some models)

#### Crisper and Convertible Vegetable/Meat Drawers

##### To Remove and Replace Drawers:

- Slide crisper or meat drawer straight out to the stop. Lift the front of drawer with one hand while supporting the bottom of drawer with the other hand and slide the drawer out the rest of the way.
- Replace the crisper or meat drawer by sliding it back in fully past the drawer stop.

#### Crisper and Convertible Vegetable/Meat Drawer Covers

##### To Remove and Replace Covers:

- Remove the crisper and meat drawer. Tilt the front of the shelf up and pull to release the stoppers from the ribs. Pull the cover forward until it is released. Repeat steps to remove the meat drawer cover.
- Replace the meat drawer cover into supports or slides on sidewalls of the refrigerator and slide the front of the cover frame into place. Repeat steps to replace the crisper cover.

#### Meat Storage Guide

Store most meat in original wrapping as long as it is airtight and moisture-proof. Rewrap if necessary. See the following chart for storage times. When storing meat longer than the times given, freeze the meat.

Fresh fish or shellfish	Use same day as purchased
Chicken, ground beef, variety meat (liver, etc.)	1-2 days
Cold cuts, steaks/roasts	3-5 days
Cured meats	7-10 days

Leftovers - Cover leftovers with plastic wrap, aluminum foil, or plastic containers with tight lids.

### Crisper Humidity Control (on some models)

You can control the amount of humidity in the moisture-sealed crisper. Adjust the control to any setting between FRUIT (left side) and VEGETABLES (right side).

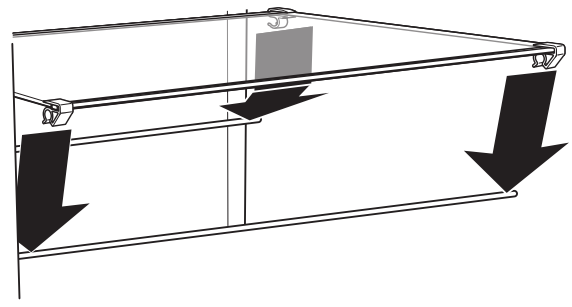
Fruit | | | | | | | Vegetables  
 - Humidity Control +

FRUIT (left side) (open) lets moist air out of the crisper for best storage of fruits and vegetables with skins.

- Fruit: Wash, let dry and store in refrigerator in plastic bag or crisper. Do not wash or hull berries until they are ready to use. Sort and keep berries in original container in crisper, or store in a loosely closed paper bag on a refrigerator shelf.
- Vegetables with skins: Place in plastic bag or plastic container and store in crisper.

VEGETABLES (right side) (closed) keeps moist air in the crisper for best storage of fresh, leafy vegetables.

- Leafy vegetables: Wash in cold water, drain and trim or tear off bruised and discolored areas. Place in plastic bag or plastic container and store in crisper.



- Place the rear trim on the rear rod and push the shelf so it clicks the rod into the trim rear. (Keep the front raised while pushing.)
- Lower the front of the shelf until the front trim is on the rod and push the shelf down so it clicks the rod into the trim rear.

**NOTE:** Be sure that both sides of the shelf are positioned evenly in the shelf support holes and the shelf is secure.

## FREEZER FEATURES

Your model may have some or all of these features.

### Frozen Food Storage Guide

Storage times will vary according to the quality and type of food, the type of packaging or wrap used (should be airtight and moisture-proof), and the storage temperature. Ice crystals inside a sealed package are normal. This simply means that moisture in the food and air inside the package have condensed, creating ice crystals.

Put no more unfrozen food into the freezer than will freeze within 24 hours (no more than 2 to 3 lbs of food per cubic foot [907 to 1,350 g per 28 L] of freezer space). Leave enough space in the freezer for air to circulate around packages. Be certain to leave enough room for the door to close tightly.

For more information on preparing food for freezing, check a freezer guide or reliable cookbook.

### Freezer Shelf (number of shelves varies by model)

#### To Remove and Replace the Bottom Shelf

1. Lift up the front and back of the shelf, and remove from the cabinet. Be sure not to remove the retaining rods.
2. Replace the shelf aligning the rods with the cabinet ribs. Apply a little pressure on the shelf to attach the rods to the ribs of the cabinet.

#### To Remove and Replace the Mid and Top Shelf

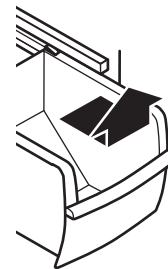
1. With your hand, push the shelf from bottom to top until it is released from the holding rod. Pull the shelf until it is released from the rear rod. Remove from the cabinet.
2. To replace the shelf:
  - Replace rods into the support holes. Push the rods down so it clicks into the hole.
  - Identify the front and rear trim of the shelf.

### Freezer Bin (on some models)

The freezer bin can be used to store bags of frozen fruits and vegetables that may slide off freezer shelves.

#### To Remove and Replace the Freezer Bin:

1. Remove the bin by sliding it out to the stop. Lift the front to slide the bin out the rest of the way.



2. Replace the bin by positioning it on the rails. Lift the bin front slightly while pushing it in fully past the stops.

## DOOR FEATURES

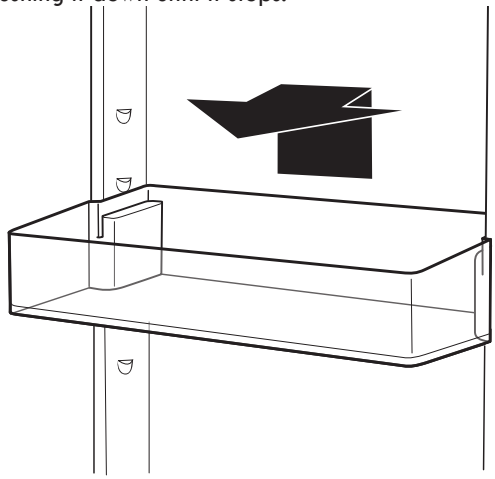
Your model may have some or all of these features.

### Door Bins (on some models)

#### To Remove and Replace the Bins:

1. Remove the bin by lifting it and pulling it straight out.

2. Replace the bin by sliding it in above the desired supports and pushing it down until it stops.



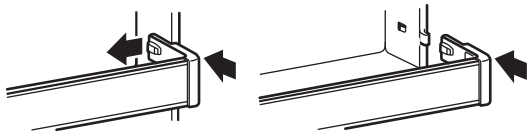
### Door Rails or Bins (on some models)

The door rails or bins may be removed for easier cleaning.

#### Snap-On Door Rails or Bins

##### To Remove and Replace the Rails or Bins:

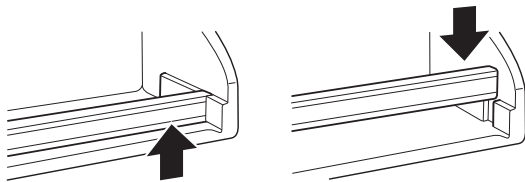
1. Remove the rails or bins by pushing in slightly on the front of the bracket while pulling out on the inside tab. Repeat these steps for the other end of the rail or bin.
2. Replace the rails or bins by aligning the ends of the brackets with the buttons on the sides of the door liner. Firmly snap bracket onto the tabs above the shelf as shown.



#### Drop-In Door Rails

##### To Remove and Replace the Rails:

1. Remove the rails by pulling straight up on each end of the rail.
2. Replace the rails by sliding the shelf rail into the slots on the door and pushing the rail straight down until it stops.



## REFRIGERATOR CARE

### Cleaning

#### ⚠ WARNING



#### Explosion Hazard

Use nonflammable cleaner.

Failure to do so can result in death, explosion, or fire.

Both the refrigerator and freezer sections defrost automatically. However, clean both compartments about once a month to avoid buildup of odors. Wipe up spills immediately.

#### To Clean Your Refrigerator:

1. Unplug refrigerator or disconnect power.
2. Remove all removable parts from inside, such as shelves, crispers, etc.
3. Hand wash, rinse, and dry removable parts and interior surfaces thoroughly. Use a clean sponge or soft cloth and a mild detergent in warm water.
  - Do not use abrasive or harsh cleaners such as window sprays, scouring cleansers, flammable fluids, cleaning waxes, concentrated detergents, bleaches or cleansers containing petroleum products on plastic parts, interior and door liners or gaskets. Do not use paper towels, scouring pads, or other harsh cleaning tools. These can scratch or damage materials.
  - To help remove odors, you can wash interior walls with a mixture of warm water and baking soda (2 tbs to 1 qt [26 g to 0.95 L] of water).
4. Determine whether your refrigerator exterior is painted metal, Ultra Satin™ (stainless look) finish, brushed aluminum or stainless steel, and choose the appropriate cleaning method.
 

**NOTE:** Ultra Satin™ (stainless look) finish has a smooth, uniform color with a glossy finish that resists fingerprints. Stainless steel has a distinct grainy texture with variation in color that is natural to steel.

**Painted metal:** Wash exteriors with a clean sponge or soft cloth and a mild detergent in warm water. Do not use abrasive or harsh cleaners, or cleaners designed for stainless steel. Dry thoroughly with a soft cloth. Additionally, to avoid damage to painted metal exteriors, apply appliance wax (or auto paste wax) with a clean, soft cloth. Do not wax plastic parts.

**Brushed aluminum:** Wash with a clean sponge or soft cloth and a mild detergent in warm water. Do not use abrasive or harsh cleaners, or cleaners designed for stainless steel. Dry thoroughly with a soft cloth.

**Ultra Satin™ (stainless look) finish:** Wash with a clean sponge or soft cloth and a mild detergent in warm water. Do not use abrasive or harsh cleaners, or cleaners designed for stainless steel. Dry thoroughly with a soft cloth.

**Stainless steel finish:** Wash with a clean sponge or soft cloth and a mild detergent in warm water. Do not use abrasive or harsh cleaners. Dry thoroughly with a soft cloth.

  - To keep your stainless steel refrigerator looking like new and to remove minor scuffs or marks, it is suggested that you use the manufacturer's approved Stainless Steel Cleaner and Polish. To order the cleaner, see the "Accessories" section.

**IMPORTANT:** This cleaner is for stainless steel parts only.

- Do not allow the Stainless Steel Cleaner and Polish to come into contact with any plastic parts such as the trim pieces, dispenser covers or door gaskets. If unintentional contact does occur, clean plastic part with a sponge and mild detergent in warm water. Dry thoroughly with a soft cloth.
5. If your model has a touch screen display on the dispenser panel, clean the screen using a soft, lint-free cloth. Mix a mild detergent with water, then use the mixture to dampen the cloth and gently wipe the screen.
    - To avoid unintentionally changing settings, make sure the refrigerator is unplugged or the power is disconnected before wiping the screen.
    - Do not over-saturate the cloth. Do not spray or wipe liquids directly onto the screen. Do not use abrasive or harsh cleaners such as window sprays, scouring cleansers, flammable fluids, cleaning waxes, concentrated detergents, nail polish remover, bleaches or cleansers containing petroleum products. Do not use paper towels, scouring pads, or other harsh cleaning tools. These can scratch or damage materials.
  6. There is no need for routine condenser cleaning in normal home operating environments. If the environment is particularly greasy or dusty, or there is significant pet traffic in the home, the condenser should be cleaned every 2 to 3 months to ensure maximum efficiency.

If you need to clean the condenser:

- Remove the base grille. See the “Base Grille” graphic or “Base Grille” section.
  - Use a vacuum cleaner with a soft brush to clean the grille, the open areas behind the grille and the front surface area of the condenser.
  - Replace the base grille when finished.
7. Plug in refrigerator or reconnect power.

## Lights

**NOTE:** Not all appliance bulbs will fit your refrigerator. Be sure to replace the bulb with one of the same size and shape.

- The dispenser lights are LEDs that cannot be changed.
  - On some models, the interior lights are LEDs that cannot be changed.
  - On some models, the interior lights require a 40-watt bulb.
1. Unplug refrigerator or disconnect power.
  2. Remove light shield when applicable, as explained in the following sections.

**NOTE:** To clean the light shield, wash it with warm water and liquid detergent. Rinse and dry the shield well.
  3. Remove light bulb and replace with one of the same size, shape and wattage.
  4. Replace light shield when applicable as shown.
  5. Plug in refrigerator or reconnect power.

## Power Interruptions

If the power will be out for 24 hours or less, keep the door or doors closed (depending on your model) to help food stay cold and frozen.

If the power will be out for more than 24 hours, do one of the following:

- Remove all frozen food and store it in a frozen food locker.
- Place 2 lbs (907 g) of dry ice in the freezer for every cubic foot (28 L) of freezer space. This will keep the food frozen for 2 to 4 days.
- If neither a food locker nor dry ice is available, consume or can perishable food at once.

**REMEMBER:** A full freezer stays cold longer than a partially filled one. A freezer full of meat stays cold longer than a freezer full of baked goods. If you see that food contains ice crystals, it may be refrozen, although the quality and flavor may be affected. If the condition of the food is poor, dispose of it.

## Vacation and Moving Care

### Vacations

**If You Choose to Leave Refrigerator On While You Are Away:**

1. Use up any perishables and freeze other items.
2. If your refrigerator has an automatic ice maker and is connected to the household water supply, turn off the water supply to the refrigerator. Property damage can occur if the water supply is not turned off.
3. If you have an automatic ice maker, turn off the ice maker.

**NOTE:** Depending on your model, raise the wire shutoff arm to the Off (up) position or press the switch to Off (left).
4. Empty the ice bin.

**If You Choose to Turn Refrigerator Off Before You Leave:**

1. Remove all food from the refrigerator.
2. If your refrigerator has an automatic ice maker:
  - Turn off the water supply to the ice maker at least one day ahead of time.
  - When the last load of ice drops, raise the wire shutoff arm to the Off (up) position or move the switch to the Off (left) setting.
3. Unplug refrigerator.
4. Clean, wipe, and dry thoroughly.
5. Tape rubber or wood blocks to the tops of both doors to prop them open far enough for air to get in. This stops odor and mold from building up.

### Moving

When you are moving your refrigerator to a new home, follow these steps to prepare it for the move.


1. If your refrigerator has an automatic ice maker:
  - Turn off the water supply to the ice maker at least one day ahead of time.
  - Disconnect the water line from the back of the refrigerator.
  - When the last load of ice drops, raise the wire shutoff arm to the Off (up) position or move the switch to the off setting.
2. Remove all food from the refrigerator and pack all frozen food in dry ice.
3. Empty the ice bin.
4. Unplug refrigerator.
5. Clean, wipe, and dry thoroughly.
6. Take out all removable parts, wrap them well, and tape them together so they don't shift and rattle during the move.
7. Depending on the model, raise the front of the refrigerator so it rolls more easily or screw in the leveling legs so they don't scrape the floor. See the “Adjust the Doors” or the “Door Removal, Leveling, and Alignment” sections.
8. Tape the doors closed and tape the power cord to the back of the refrigerator.

When you get to your new home, put everything back and refer to the Installation Instructions for preparation instructions. Also, if your refrigerator has an automatic ice maker, remember to reconnect the water supply to the refrigerator.

## TROUBLESHOOTING

First try the solutions suggested here or visit our website to possibly avoid the cost of a service call.

⚠ WARNING



**Electrical Shock Hazard**

Plug into a grounded 3 prong outlet.

Do not remove ground prong.

Do not use an adapter.

Do not use an extension cord.

Failure to follow these instructions can result in death, fire, or electrical shock.

GENERAL OPERATION	Possible Causes and/or Recommended Solutions
<b>Refrigerator will not operate</b>	<ul style="list-style-type: none"> <li>■ <b>Not connected to an electrical supply:</b> Plug the power cord into a grounded 3 prong outlet. Do not use an extension cord.</li> <li>■ <b>No power to the electrical outlet:</b> Plug in a lamp to see if the outlet is working.</li> <li>■ <b>Household fuse has blown or circuit breaker has tripped:</b> Replace the fuse or reset the circuit breaker. If the problem continues, contact a licensed electrician.</li> <li>■ <b>New installation:</b> Following installation, allow 24 hours for the refrigerator and freezer to cool completely.</li> </ul> <p><b>NOTE:</b> Adjusting the temperature control(s) to the coldest setting will not cool either compartment (refrigerator or freezer) more quickly.</p>
<b>Motor seems to run too much</b>	<ul style="list-style-type: none"> <li>■ <b>Your new refrigerator has an energy-efficient motor:</b> The refrigerator may run longer than you're used to, because the compressor and fans operate at lower speeds that are more energy-efficient. This is normal.</li> </ul> <p><b>NOTE:</b> Your refrigerator may run even longer if the room is warm, a large load of food is added, the doors are opened often, or if a door has been left open.</p>

**GENERAL OPERATION****Possible Causes and/or Recommended Solutions****Refrigerator seems noisy**

The compressor in your new refrigerator regulates temperature more efficiently and uses less energy than older models. During various stages of operation, you may hear normal operating sounds that are unfamiliar.

**The following noises are normal:**

- **Buzzing/Clicking:** Heard when the water valve opens and closes to dispense water or fill the ice maker. If the refrigerator is connected to a water line, this is normal. If the refrigerator is not connected to a water line, turn off the ice maker.
- **Cracking/Crashing:** Heard when ice is ejected from the ice maker mold.
- **Popping:** Heard when the inside walls contract/expand, especially during initial cooldown.
- **Pulsating/Whirring:** Heard when the fans/compressor adjust to optimize performance during normal operation.
- **Rattling:** Heard when water passes through the water line, or due to the flow of refrigerant. Rattling may also come from items placed on top of the refrigerator.
- **Water running or gurgling:** Heard when ice melts during the defrost cycle and water runs into the drain pan.
- **Sizzling:** Heard when water drips onto the heater during the defrost cycle.

**Temperature is too warm**

- **New installation:** Following installation, allow 24 hours for the refrigerator and freezer to cool completely.  
**NOTE:** Adjusting the temperature control(s) to the coldest setting will not cool either compartment (refrigerator or freezer) more quickly.
- **Doors are opened often or not closed completely:** This allows warm air to enter the refrigerator. Minimize door openings, keep the doors fully closed, and make sure both doors are properly sealed.
- **Air vents are blocked:** Remove items that are immediately in front of the vents.
- **Large amount of warm food recently added:** Allow several hours for the refrigerator to return to its normal temperature.
- **Controls are not set correctly for the surrounding conditions:** Adjust the controls to a colder setting. Check the temperature again in 24 hours.

**Temperature is too cold**

- **Controls are not set correctly for the surrounding conditions:** Adjust the controls to a warmer setting. Check the temperature again in 24 hours.
- **Top refrigerator shelf is colder than lower shelves:** On some models, air from the freezer enters the refrigerator compartment through vents near the top refrigerator shelf. As a result, the top shelf can be slightly colder than lower shelves.
- **Air vents are blocked:** Remove items that are immediately in front of the vents.

**Interior moisture buildup**

- NOTE:** Some moisture buildup is normal. Clean with a soft dry cloth.
- **Room is humid:** A humid environment contributes to moisture buildup. Use the refrigerator only in an indoor location, with as little humidity as possible.
  - **Doors are opened often or not closed completely:** This allows humid air to enter the refrigerator. Minimize door openings, keep the doors fully closed, and make sure both doors are properly sealed.

**Interior lights do not work**

- **Doors have been open for an extended period of time:** Close the doors to reset the lights.
  - **Light bulb is loose in the socket or has burned out:** On models with incandescent interior light bulbs, tighten or replace the bulb. See the "Lights" section.
- NOTE:** On models with LED lights, call for assistance or service if the interior lights do not illuminate when either door is opened. See the Warranty in the User Instructions or User Guide for contact information.

**Dispenser lights do not work (on some models)**

- **Dispenser light is turned off:** On some models, if the dispenser light is set to Off, the light will turn on only when a dispenser pad/lever is pressed. If you want the dispenser light to stay on continuously, select a different setting. See the "Water and Ice Dispensers" section in the User Instructions or User Guide.
  - **Dispenser light is set to AUTO or NIGHT LIGHT:** On some models, if the dispenser light is set to Auto or Night Light, make sure the dispenser light sensor is not blocked. See the "Water and Ice Dispensers" section in the User Instructions or User Guide.
- NOTE:** On models with LED lights, call for assistance or service if the dispenser lights do not operate correctly. See the Warranty in the User Instructions or User Guide for contact information.

**⚠ WARNING**




**Explosion Hazard**

Use nonflammable cleaner.  
Failure to do so can result in death, explosion, or fire.

DOORS AND LEVELING	Possible Causes and/or Recommended Solutions
Doors are difficult to open	<ul style="list-style-type: none"> <li>■ <b>Gaskets are dirty or sticky:</b> Clean the gaskets and contact surfaces with mild soap and warm water. Rinse and dry with a soft cloth.</li> </ul>
Doors will not close completely	<ul style="list-style-type: none"> <li>■ <b>Door is blocked open:</b> Move food packages away from the door. Make sure all bins and shelves are in their correct positions. Make sure all packaging materials have been removed.</li> </ul>
Doors appear to be uneven	<ul style="list-style-type: none"> <li>■ <b>Doors need to be aligned, or refrigerator needs to be leveled:</b> See the leveling and door alignment instructions.</li> </ul>
Refrigerator rocks and is not stable	<ul style="list-style-type: none"> <li>■ <b>Refrigerator is not level:</b> To stabilize the refrigerator, remove the base grille and lower the leveling feet until they touch the floor. See the leveling and door alignment instructions.</li> </ul>

**⚠ WARNING**



**Cut Hazard**

Use a sturdy glass when dispensing ice.  
Failure to do so can result in cuts.

ICE AND WATER	Possible Causes and/or Recommended Solutions
Ice maker is not producing ice, not producing enough ice, or producing small/hollow ice	<ul style="list-style-type: none"> <li>■ <b>Refrigerator is not connected to a water supply, or the water supply shutoff valve is not fully turned on:</b> Connect the refrigerator to a water supply and make sure the water shutoff valve is fully open.</li> <li>■ <b>Kink in the water source line:</b> A kink in the water line can reduce water flow, resulting in decreased ice production, small ice cubes, and/or hollow or irregularly-shaped ice. Straighten the water line.</li> <li>■ <b>Ice maker is not turned on:</b> Turn on the ice maker. See the “Ice Maker and Storage Bin” section in the User Instructions or User Guide.</li> <li>■ <b>New installation:</b> After connecting the refrigerator to a water source, flush the water system. (See the “Water and Ice Dispensers” section in the User Instructions or User Guide.) Wait 24 hours for ice production to begin. Wait 72 hours for full ice production. Discard the first three batches of ice produced.</li> <li>■ <b>Large amount of ice was recently removed:</b> Allow sufficient time for the ice maker to produce more ice.</li> <li>■ <b>Ice is jammed in the ice maker ejector arm:</b> Remove ice from the ejector arm using a plastic utensil.</li> <li>■ <b>Inadequate water pressure:</b> Verify that the household has adequate water pressure. See the “Water Supply Requirements” section.</li> <li>■ <b>Water filter is installed incorrectly:</b> Make sure the filter is properly installed. See the “Water Filtration System” section in the User Instructions or User Guide.</li> <li>■ <b>A reverse osmosis water filtration system is connected to your cold water supply:</b> This can decrease water pressure. See the “Water Supply Requirements” section.</li> </ul> <p><b>NOTE:</b> If questions remain regarding water pressure, contact a licensed, qualified plumber.</p>

**ICE AND WATER****Possible Causes and/or Recommended Solutions****Ice dispenser will not operate properly**

- **Doors not closed completely** - Make sure both doors are firmly closed. (On some models, only the freezer door must be closed in order to operate the dispenser.)
- **New installation** - After connecting the refrigerator to a water source, flush the water system. (See the “Water and Ice Dispensers” section in the User Instructions or User Guide.) Wait 24 hours for ice production to begin. Wait 72 hours for full ice production. Discard the first three batches of ice produced.
- **Ice maker is not turned on, or ice bin is not installed correctly** - Turn on the ice maker and make sure the ice storage bin is firmly in position. See the “Ice Maker and Storage Bin” section in the User Instructions or User Guide.
- **Ice is clogged or frozen together in the ice storage bin, or ice is blocking the ice delivery chute** - Remove or separate the clogged ice, using a plastic utensil if necessary. Clean the ice delivery chute and the bottom of the ice storage bin using a warm damp cloth, then dry both thoroughly. To avoid clogging and to maintain a fresh supply of ice, empty the storage bin and clean both the storage bin and the delivery chute every 2 weeks.
- **Wrong ice has been added to the storage bin** - Use only ice cubes produced by the current ice maker.
- **Dispenser is locked** - Unlock the dispenser. See the “Water and Ice Dispensers” section in the User Instructions or User Guide.
- **Ice dispenser jams while dispensing crushed ice** - For models with the ice storage bin on the door, temporarily switch from crushed ice to cubed ice to clear the jam.
- **Dispenser pad/lever has been pressed too long** - Ice will automatically stop dispensing. Wait a few minutes for the dispenser to reset, then resume dispensing. Take large amounts of ice directly from the ice bin, not through the dispenser.
- **Water pressure to the home is not at or above 30 psi (207 kPa)** - The water pressure to the home affects the flow from the dispenser. See the “Water Supply Requirements” section.
- **Water filter is clogged or incorrectly installed** - Replace filter or reinstall it correctly. See the “Water Filtration System” section in the User Instructions or User Guide.

**Ice or water has an off-taste, odor, or gray color**

- **New plumbing connections** - New plumbing connections can result in off-flavored or discolored ice or water. This problem should go away over time.
- **Ice has been stored too long** - Discard the ice and wash the ice bin. Allow 24 hours for the ice maker to produce new ice.
- **Odor has transferred from food** - Use airtight moisture-proof packaging to store food.
- **Use of non-recommended water supply line** - Odors and tastes can transfer from certain materials used in non-recommended water supply lines. Use only a recommended water supply line. See the “Water Supply Requirements” section.
- **There are minerals (such as sulfur) in the water** - A water filter may need to be installed in order to remove the minerals.
- **Water filter was recently installed or replaced** - Gray or dark discoloration in ice or water indicates that the water filtration system needs additional flushing. See the “Water and Ice Dispensers” section in the User Instructions or User Guide.

**Water dispenser will not operate properly**

- **Doors not closed completely** - Make sure both doors are firmly closed. (On some models, only the freezer door must be closed in order to operate the dispenser.)
- **Refrigerator is not connected to a water supply, or the water supply shutoff valve is not turned on** - Connect the refrigerator to a water supply and make sure the water shutoff valve is fully open.
- **Kink in the water source line** - A kink in the water line can reduce water flow to the dispenser. Straighten the water line.
- **Water pressure to the home is not at or above 30 psi (207 kPa)** - The water pressure to the home affects the flow from the dispenser. See “Water Supply Requirements.”
- **New installation** - After connecting the refrigerator to a water source, flush the water system. See “Water and Ice Dispensers” in the User Instructions or User Guide.
- **Dispenser is locked** - Unlock the dispenser. See the “Water and Ice Dispensers” section in the User Instructions or User Guide.
- **Water filter is clogged or incorrectly installed** - Replace filter or reinstall it correctly. See the “Water Filtration System” section in the User Instructions or User Guide.
- **A reverse osmosis water filtration system is connected to your cold water supply** - This can decrease water pressure. See the “Water Supply Requirements” section.

**NOTE:** If questions remain regarding water pressure, contact a licensed, qualified plumber.

ICE AND WATER	Possible Causes and/or Recommended Solutions
<b>Water is leaking or dripping from the dispenser</b>	<p><b>NOTE:</b> After dispensing, a few additional drops of water are normal.</p> <ul style="list-style-type: none"> <li>■ <b>Glass was not held under the dispenser long enough</b> - Hold the glass under the dispenser for 2 to 3 seconds after releasing the dispenser pad/lever.</li> <li>■ <b>New installation, or water filter was recently installed or replaced</b> - Air in the water lines causes the water dispenser to drip. Flush the water system to remove the air in the water lines. See the “Water and Ice Dispensers” section in the User Instructions or User Guide.</li> <li>■ <b>Residual ice in the dispenser chute is melting</b> - Make sure the ice chute is free of ice shavings or pieces.</li> </ul>
<b>Water is leaking from the back of the refrigerator</b>	<ul style="list-style-type: none"> <li>■ <b>Water line connections are not fully tightened</b> - Make sure all connections are firmly tightened. See the “Connect Water Supply” section.</li> </ul>
<b>Water from the dispenser is not cool enough (on some models)</b>	<p><b>NOTE:</b> Water from the dispenser is chilled to 50°F (10°C).</p> <ul style="list-style-type: none"> <li>■ <b>New installation</b> - Allow 24 hours after installation for the water supply to cool completely.</li> <li>■ <b>Recently dispensed a large amount of water</b> - Allow 24 hours for the new water supply to cool completely.</li> <li>■ <b>Water has not been recently dispensed</b> - The first glass of water may not be cool. Discard the first glass of water dispensed.</li> <li>■ <b>Refrigerator is not connected to a cold water pipe</b> - Make sure the refrigerator is connected to a cold water pipe. See the “Water Supply Requirements” section.</li> </ul>
<b>User interface not responding</b>	<ul style="list-style-type: none"> <li>■ <b>Pressing user interface too fast</b> - Wait 10 seconds before pressing any key.</li> <li>■ <b>User interface in Lock Mode</b> - Press and hold LOCK for 3 seconds to exit Lock Mode.</li> </ul>

## ACCESSORIES

### Replacement Parts:

To order stainless steel cleaner or replacement filters, call **1-800-4-MY-HOME®** and ask for the appropriate part number listed below or contact your authorized Kenmore dealer.

### Stainless Steel Cleaner and Polish:

Order Part #D22 M40083 R

### Water Filter:

Order Part #9081

# Performance Data Sheet

## Water Filtration System Model P8WB2L/P8RFWB2L Capacity 200 Gallons (757 Liters)



System tested and certified by NSF International against NSF/ANSI Standard 42, Standard 53, and Standard 401 for the reduction of contaminants specified on the Performance Data Sheet.

This system has been tested according to NSF/ANSI Standards 42, 53 and 401 for the reduction of the substances listed below. The concentration of the indicated substances in water entering the system was reduced to a concentration less than or equal to the permissible limit for water leaving the system, as specified in NSF/ANSI Standards 42, 53, and 401.

Substance Reduction Aesthetic Effects	Influent Challenge Concentration	Maximum Permissible Product Water Concentration	Average% Reduction
Chlorine Taste/Odor Particulate Class I*	2.0 mg/L ± 10% At least 10,000 particles/mL	50% reduction 85% reduction	97.0% >99.9%
Contaminant Reduction	Influent Challenge Concentration	Maximum Permissible Product Water Concentration	Average% Reduction
Lead: @ pH 6.5 / @ pH 8.5	0.15 mg/L ± 10%	0.010 mg/L	>99.3% / 98.6%
Benzene	0.015 mg/L ± 10%	0.005 mg/L	93.8%
p-Dichlorobenzene	0.225 mg/L ± 10%	0.075 mg/L	99.8%
Carbofuran	0.08 mg/L ± 10%	0.040 mg/L	81.9%
Toxaphene	0.015 ± 10%	0.003 mg/L	>95%
Atrazine	0.009 mg/L ± 10%	0.003 mg/L	87.0%
Asbestos	10 <sup>7</sup> to 10 <sup>8</sup> fibers/L <sup>††</sup>	99%	>99%
Live Cysts <sup>‡</sup>	50,000/L min.	99.95%	>99.99%
Turbidity	11 NTU ± 10%	0.5 NTU	96.9%
Lindane	0.002 ± 10%	0.0002 mg/L	>99.2%
Tetrachloroethylene	0.015 mg/L ± 10%	0.005 mg/L	96.6%
o-Dichlorobenzene	1.8 mg/L ± 10%	0.60 mg/L	92.3%
Ethylbenzene	2.1 mg/L ± 10%	0.70 mg/L	86.9%
1,2,4-Trichlorobenzene	0.210 mg/L ± 10%	0.07 mg/L	>99.8%
2,4 - D	0.210 mg/L ± 10%	0.07 mg/L	88.5%
Styrene	2.0 mg/L ± 10%	0.1 mg/L	99.6%
Toluene	3.0 mg/L ± 10%	1.0 mg/L	93.5%
Endrin	0.006 mg/L ± 10%	0.002 mg/L	81.7%
Atenolol	200 ± 20%	30 ng/L	95.7%
Trimethoprim	140 ± 20%	20 ng/L	96.1%
Linuron	140 ± 20%	20 ng/L	96.3%
Estrone	140 ± 20%	20 ng/L	95.3%
Nonylphenol	1400 ± 20%	200 ng/L	95.5%

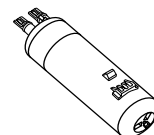
Test Parameters: pH = 7.5 ± 0.5 unless otherwise noted. Flow = 0.75 gpm (2.84 Lpm). Pressure = 60 psig (413.7 kPa). Temp. = 68°F to 71.6°F (20°C to 22°C). Rated service capacity = 200 gallons (757 liters).

The compounds certified under NSF 401 have been deemed as “emerging compounds/incidental contaminants.” Emerging compounds/incidental contaminants are those compounds that have been detected in drinking water supplies at trace levels. While occurring at only trace levels, these compounds can affect the public acceptance/perception of drinking water quality.

- It is important that operational, maintenance, and filter replacement requirements be carried out for the product to perform as advertised. Property damage can occur if all instructions are not followed.
- The disposable cartridge must be changed at least every 6 months.
- Use replacement filter P8RFWB2L, part #EDR1RXD1/EDR1RXD1B. 2015 suggested retail price of \$49.99 U.S.A./\$49.99 Canada. Prices are subject to change without notice.
- The filter monitor system measures the amount of water that passes through the filter and alerts you when it is time to replace the filter. Refer to the “Using the Controls” or “Water Filtration System” section (in the User Instructions or User Guide) to learn how to check the water filter status.
- After changing the water filter, flush the water system. See “Water and Ice Dispensers” or “Water Dispenser” in the User Instructions or User Guide.
- These contaminants are not necessarily in your water supply. While testing was performed under standard laboratory conditions, actual performance may vary.
- The product is for cold water use only.
- The water system must be installed in compliance with state and local laws and regulations.
- Do not use with water that is microbiologically unsafe or of unknown quality without adequate disinfection before or after the system. Systems certified for cyst reduction may be used on disinfected waters that may contain filterable cysts. EPA Est. No. 082047-TWN-001
- Refer to the “Warranty” section (in the User Instructions or User Guide) for the Manufacturer’s limited warranty, name and telephone number.

### Application Guidelines/Water Supply Parameters

Water Supply	City or Well
Water Pressure	30 - 120 psi (207 - 827 kPa)
Water Temperature	33° - 100°F (0.6° - 378°C)
Service Flow Rate	0.75 gpm (2.84 L/min.) @ 60 psi



\*Class I particle size: >0.5 to <1 µm

<sup>‡</sup>Based on the use of *Cryptosporidium parvum* oocysts

<sup>††</sup>Fibers greater than 10 µm in length

® NSF is a registered trademark of NSF International.

# ÍNDICE

<b>GARANTÍA</b> .....	<b>27</b>	Cajón para carnes frías.....	42
<b>SEGURIDAD DEL REFRIGERADOR</b> .....	<b>28</b>	Cajón convertible para verduras/carne, cajón para verduras y tapas .....	42
Cómo deshacerse adecuadamente de su refrigerador viejo .....	29	Control de humedad del cajón para verduras.....	43
<b>INSTRUCCIONES DE INSTALACIÓN</b> .....	<b>29</b>	<b>CARACTERÍSTICAS DEL CONGELADOR</b> .....	<b>43</b>
Desempaque el refrigerador .....	29	Estante del congelador.....	43
Remoción, nivelación y alineación de las puertas .....	30	Recipiente del congelador .....	44
Cómo instalar y retirar las manijas.....	32	<b>CARACTERÍSTICAS DE LA PUERTA</b> .....	<b>44</b>
Requisitos de ubicación .....	33	Recipientes de la puerta.....	44
Requisitos eléctricos .....	33	Rieleles o recipientes de la puerta.....	44
Requisitos del suministro de agua.....	34	<b>CUIDADO DEL REFRIGERADOR</b> .....	<b>44</b>
Conexión del suministro de agua.....	34	Limpieza.....	44
Prepare el sistema de agua .....	37	Luces.....	45
<b>USO DEL REFRIGERADOR</b> .....	<b>37</b>	Cortes de corriente.....	46
Cómo asegurar la debida circulación del aire.....	37	Cuidado durante las vacaciones y mudanzas .....	46
Uso de los controles .....	37	<b>SOLUCIÓN DE PROBLEMAS</b> .....	<b>47</b>
Sistema de filtración de agua .....	40	<b>ACCESSORIES</b> .....	<b>51</b>
Fábrica de hielo y depósito.....	41	<b>HOJA DE DATOS DEL RENDIMIENTO</b> .....	<b>52</b>
<b>CARACTERÍSTICAS DEL REFRIGERADOR</b> .....	<b>42</b>	<b>NÚMEROS DE SERVICIO</b> .....	<b>CONTRAPORTADA</b>
Estantes del refrigerador.....	42		

# GARANTÍA DE LOS ELECTRODOMÉSTICOS KENMORE

## GARANTÍA LIMITADA DE KENMORE

POR UN AÑO a partir de la fecha de venta, este electrodoméstico está garantizado contra defectos de material o de mano de obra siempre y cuando se haya instalado, operado y mantenido de acuerdo con todas las instrucciones provistas.

CON EL COMPROBANTE DE VENTA, un electrodoméstico defectuoso se reemplazará o reparará a criterio del vendedor.

Para ver los detalles de cobertura de la garantía a fin de obtener reparación o repuestos sin costo, visite:

[www.kenmore.com/warranty](http://www.kenmore.com/warranty).

Esta garantía será válida solamente durante 90 DÍAS a partir de la fecha de venta en los Estados Unidos y será nula en Canadá, si a este electrodoméstico se le diera alguna vez un uso diferente del ámbito doméstico privado.

Esta garantía cubre ÚNICAMENTE defectos de material y mano de obra, y NO se pagará por:

1. Los artículos no reutilizables que puedan gastarse con el uso normal, incluyendo, pero sin limitación, filtros, correas, bolsas y bombillas de luz con rosca en la base.
2. Un técnico de servicio para limpiar o mantener este electrodoméstico o para enseñarle al usuario la correcta instalación, uso y mantenimiento del electrodoméstico.
3. Visitas del servicio técnico para corregir la instalación del electrodoméstico que no fuera realizada por agentes autorizados de servicio técnico de Sears, o para reparar problemas con fusibles domésticos, cortacircuitos, cableado de la casa y plomería o sistemas de suministro de gas que resulten de tal instalación.
4. Daños o fallas en el electrodoméstico que resulten de la instalación la cual no fue realizada por agentes autorizados de servicio técnico de Sears, lo que incluye instalaciones que no se realizaron de acuerdo con los códigos eléctricos, de gas o de plomería.
5. Daños o fallas en el electrodoméstico, lo que incluye decoloración u óxido en la superficie, si no se hizo un uso y mantenimiento de acuerdo con todas las instrucciones provistas.
6. Daños o fallas en el electrodoméstico, lo que incluye decoloración u óxido en la superficie como consecuencia de un accidente, alteración, abuso, uso indebido o un uso diferente del previsto.
7. Daños o fallas en el electrodoméstico lo que incluye decoloración u óxido en la superficie causados por el uso de detergentes, limpiadores, productos químicos o utensilios diferentes de los recomendados en todas las instrucciones provistas con el producto.
8. Daños o fallas en piezas o sistemas como resultado de modificaciones no autorizadas que se hayan efectuado en este

electrodoméstico.

9. Servicio técnico a un electrodoméstico si la placa de modelo y número de serie falta, está alterada o no puede determinarse con facilidad que tenga logotipo de certificación correspondiente.

## Exclusión de garantías implícitas; limitación de recursos

El único y exclusivo recurso del cliente según los términos de esta garantía limitada será el de reparar o reemplazar el producto según se estipula en la presente. Las garantías implícitas, incluyendo las garantías de comerciabilidad o de capacidad para un propósito particular, serán limitadas a un año o al período más corto permitido por ley. El vendedor no se responsabilizará por daños incidentales o consecuentes. Algunos estados y provincias no permiten la exclusión o limitación de daños incidentales o consecuentes, o limitación acerca de cuánto debe durar una garantía implícita de comerciabilidad o capacidad, de modo que las limitaciones o exclusiones arriba mencionadas pueden no aplicarse en su caso.

Esta garantía se aplica solo mientras este electrodoméstico se use en los Estados Unidos o en Canadá\*.

Esta garantía le otorga derechos legales específicos, y es posible que usted tenga también otros derechos, los cuales varían de un estado a otro.

\* El servicio de reparación a domicilio no está disponible para todas las áreas geográficas de Canadá y esta garantía no cubrirá los gastos de transporte o traslado del usuario o técnico de servicio si el producto se encuentra ubicado en un lugar remoto (de acuerdo con la definición de Sears Canada Inc.) donde no haya un técnico de servicio autorizado.

**Sears Brands Management Corporation  
Hoffman Estates, IL 60179**

**Sears Canada Inc.  
Toronto, Ontario, Canada M5B 2C3**

## REGISTRO DEL PRODUCTO

Anote el número completo de modelo y serie así como la fecha de compra. Puede encontrar esta información en la etiqueta con el número de modelo y de serie ubicada en el producto.

Tenga esta información disponible para facilitarle la obtención de asistencia o servicio con prontitud siempre que llame a Sears con respecto a su electrodoméstico.

**Número de modelo** \_\_\_\_\_.

**Número de serie** \_\_\_\_\_

**Fecha de compra** \_\_\_\_\_

**Guarde estas instrucciones y su comprobante de compra para referencia futura.**

## SEGURIDAD DEL REFRIGERADORS

### Su seguridad y la seguridad de los demás es muy importante.

Hemos incluido muchos mensajes importantes de seguridad en este manual y en su electrodoméstico. Lea y obedezca siempre todos los mensajes de seguridad.



Este es el símbolo de alerta de seguridad.

Este símbolo le llama la atención sobre peligros potenciales que pueden ocasionar la muerte o una lesión a usted y a los demás.

Todos los mensajes de seguridad irán a continuación del símbolo de advertencia de seguridad y de la palabra "PELIGRO" o "ADVERTENCIA". Estas palabras significan:

**! PELIGRO**

**Si no sigue las instrucciones de inmediato, usted puede morir o sufrir una lesión grave.**

**! ADVERTENCIA**

**Si no sigue las instrucciones, usted puede morir o sufrir una lesión grave.**

Todos los mensajes de seguridad le dirán el peligro potencial, le dirán cómo reducir las posibilidades de sufrir una lesión y lo que puede suceder si no se siguen las instrucciones.

### INSTRUCCIONES IMPORTANTES DE SEGURIDAD

**ADVERTENCIA:** Para reducir el riesgo de incendio, choque eléctrico, o lesiones personales al usar su refrigerador siga estas precauciones básicas:

- Conecte a un contacto de pared de conexión a tierra de 3 terminales.
- No use un adaptador.
- No quite la terminal de conexión a tierra.
- No use un cable eléctrico de extensión.
- Desconecte el suministro de energía antes de darle servicio.
- Vuelva a colocar todos los componentes y paneles antes de hacerlo funcionar.
- Remueva las puertas de su refrigerador viejo.
- Conecte solamente al suministro de agua potable.
- Use un limpiador no inflamable.
- Mantenga los materiales y vapores inflamables, tales como gasolina, alejados del refrigerador.
- Use dos o más personas para mover e instalar el refrigerador.
- Desconecte el suministro de energía antes de instalar la fábrica de hielo (en aquellos modelos que incluyen el juego de instalación de la fábrica de hielo).
- Use un vaso resistente para recibir hielo del despachador (en algunos modelos).
- No golpee las puertas de vidrio del refrigerador (en algunos modelos).
- Este aparato no ha sido diseñado para ser usado por personas (incluidos niños) con capacidad física, sensorial o mental reducida, o con falta de experiencia y conocimiento, a menos que lo hagan bajo supervisión o siguiendo las instrucciones relativas al uso del aparato, a cargo de una persona responsable por su seguridad.
- Los niños deberán estar bajo supervisión para asegurarse de que no jueguen con el electrodoméstico.

### CONSERVAR ESTAS INSTRUCCIONES

Advertencias de la Proposición 65 del estado de California:

**ADVERTENCIA:** Este producto contiene una o más sustancias químicas identificadas por el estado de California como causantes de cáncer.

**ADVERTENCIA:** Este producto contiene una o más sustancias químicas identificadas por el estado de California como causantes de defectos congénitos o algún otro tipo de daños en la función reproductora.

## Cómo deshacerse adecuadamente de su refrigerador viejo

### **⚠️ ADVERTENCIA**

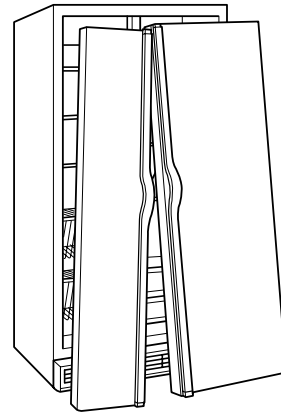
#### **Peligro de Asfixia**

**Remueva las puertas de su refrigerador viejo.**  
**No seguir esta instrucción puede ocasionar la muerte o daño al cerebro.**

**IMPORTANTE:** El atrapamiento y asfixia de niños no es un problema del pasado. Los refrigeradores tirados y abandonados son un peligro, aún si van a quedar ahí "por unos pocos días". Si está por deshacerse de su refrigerador viejo, siga las instrucciones que se dan a continuación para prevenir accidentes.

#### **Antes de tirar su viejo refrigerador o congelador:**

- Saque las puertas.
- Deje los estantes en su lugar para que los niños no puedan meterse con facilidad.



#### **Información importante para saber acerca del desecho de refrigerantes:**

Deshágase del refrigerador siguiendo los reglamentos federales y locales. Los refrigerantes deberán ser evacuados por un técnico certificado en refrigeración por EPA (Agencia de protección del medioambiente) según los procedimientos establecidos.

## INSTRUCCIONES DE INSTALACIÓN

### Desempaque el refrigerador

### **⚠️ ADVERTENCIA**

#### **Peligro de Peso Excesivo**

**Use dos o más personas para mover e instalar los paneles.**  
**No seguir esta instrucción puede ocasionar una lesión en la espalda u otro tipo de lesiones.**

#### **Cómo mover su refrigerador:**

Su refrigerador es pesado. Cuando mueva el refrigerador para limpiarlo o para darle servicio, cerciórese de cubrir el piso con cartón o madera para evitar daños en el mismo. Al mover el refrigerador, siempre tire directamente hacia afuera. No menee el refrigerador de lado a lado ni lo haga "caminar" cuando lo trate de mover ya que podría dañar el piso.

#### **Quite los materiales de empaque**

- Quite los restos de cinta y goma de las superficies antes de encender el refrigerador. Frote un poco de detergente líquido para vajillas sobre el adhesivo con los dedos. Limpie con agua tibia y seque.
- No use instrumentos filosos, alcohol para fricciones, líquidos inflamables o limpiadores abrasivos para eliminar restos de cinta o goma. Estos productos pueden dañar la superficie de su refrigerador. Para más información, vea "Seguridad del refrigerador".

#### **Limpie su refrigerador antes de usarlo**

- Una vez que usted haya quitado todos los materiales de empaque, limpie el interior de su refrigerador antes de usarlo. Vea las instrucciones de limpieza en "Cuidado del refrigerador".

#### **Información importante para saber acerca de los estantes y tapas de vidrio:**

No limpie los estantes y tapas de vidrio con agua caliente mientras están fríos. Los estantes y tapas pueden romperse si se exponen a cambios bruscos de temperatura o impacto, como sería un golpe brusco. El vidrio templado se ha diseñado para hacerse añicos. Esto es normal. Los estantes y tapas de vidrio son muy pesados. Use ambas manos al sacarlos para evitar que se caigan.

## Remoción, nivelación y alineación de las puertas

Reúna las herramientas y piezas necesarias y lea todas las instrucciones antes de comenzar la instalación. Guarde estas instrucciones para futuras consultas.

**NOTA:** Antes de introducir el producto en su hogar, mida el espacio de la entrada de la casa para ver si es necesario retirar las puertas del refrigerador y el congelador. Si es necesario retirar las puertas, vea las instrucciones a continuación.

**IMPORTANTE:** Antes de comenzar, desenchufe el refrigerador o desconecte la electricidad. Retire los alimentos, el depósito de hielo (en algunos modelos) y cualquier recipiente ajustable o de uso general de las puertas.

**HERRAMIENTAS NECESARIAS:** Nivel de burbuja; destornillador de punta plana, llave de 5/16" y de 11/16", llaves de cubo de cabeza hexagonal de 1/4", 3/8" y 5/16" destornillador TORX® T30®†.

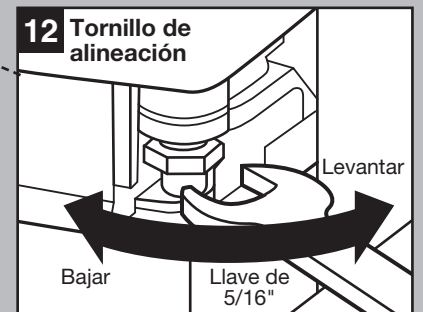
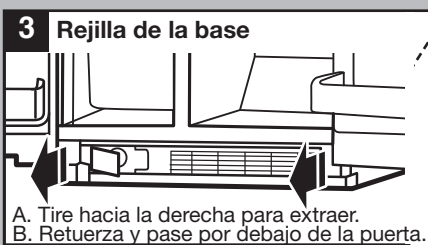
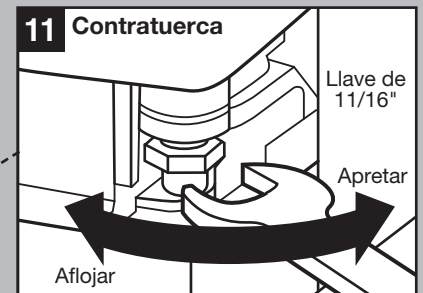
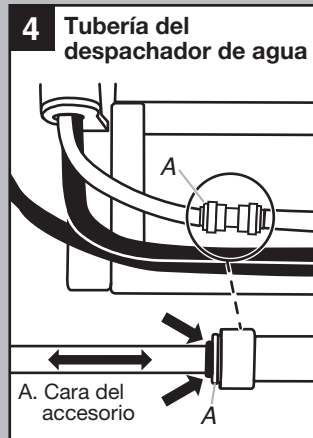
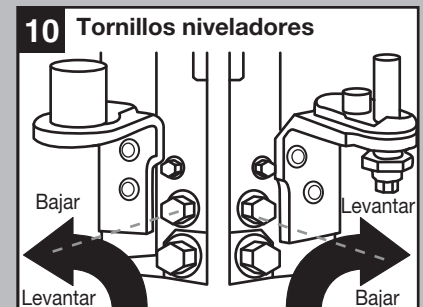
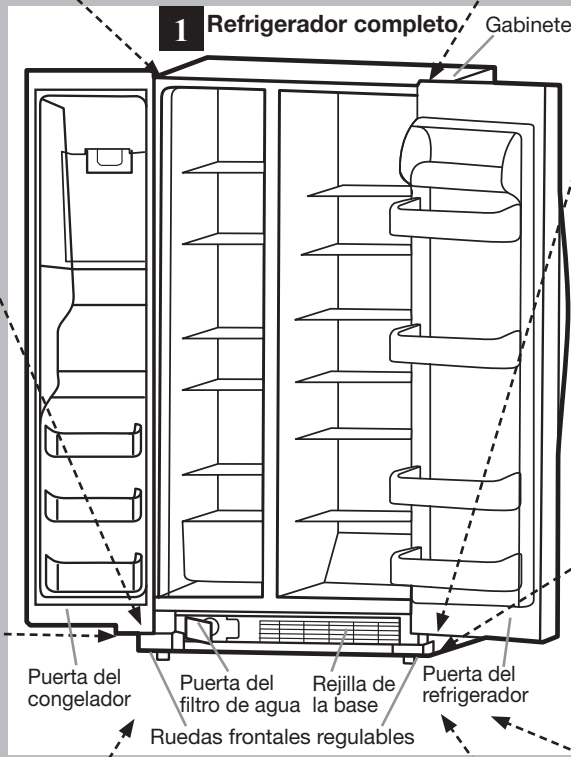
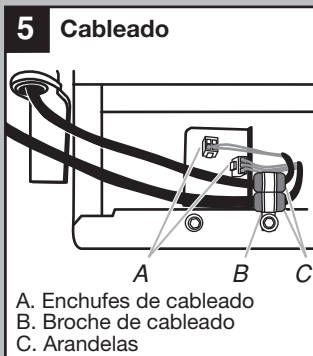
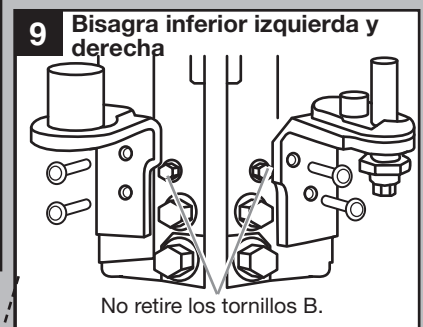
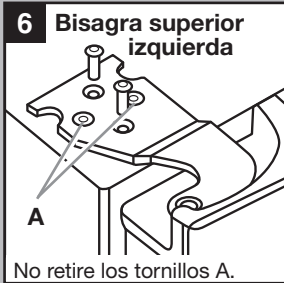
### ⚠ ADVERTENCIA



#### Peligro de Choque Eléctrico

Desconecte el suministro de energía antes de sacar las puertas.

No seguir esta instrucción puede ocasionar la muerte o choque eléctrico.



†©TORX y T30 son marcas comerciales registradas de Acument Intellectual Properties, LLC.

## Cómo retirar las puertas

Si el refrigerador no pasa a través de la entrada a la casa o si está desechando su refrigerador antiguo, siga los pasos a continuación para retirar las puertas.

### **ADVERTENCIA**



#### Peligro de Choque Eléctrico

**Desconecte el suministro de energía antes de sacar las puertas.**

**No seguir esta instrucción puede ocasionar la muerte o choque eléctrico.**

1. Desenchufe el refrigerador o desconecte la electricidad.
2. Abra por completo las dos puertas. Vea la ilustración 1.
3. Si su modelo tiene despacho de agua, tire de la puerta del filtro de agua hacia usted para abrirla. Vea la ilustración 2. No es necesario retirar el filtro de agua en sí.
4. Tire de la rejilla de base hacia usted desde los costados y, después, desde el centro hasta desengancharla. Vea la ilustración 2.
5. Para retirar la rejilla de base, retuerza y tire del lado derecho hasta que ese lado pase por debajo de la puerta del refrigerador. Vea la ilustración 3. Después, tire del lado izquierdo de la rejilla de base para retirarla por completo.
6. Si su modelo tiene despacho de agua en la puerta, desconecte la tubería del despachador de agua que hay debajo de la puerta del congelador.
  - Presione el anillo exterior azul contra la cara del accesorio y tire de la tubería del despachador para liberarla. Vea la ilustración 4.

**NOTA:** Mantenga el conector de la tubería de agua instalado en el tubo que corre debajo del congelador. La puerta no se puede retirar si el conector está adherido al tubo que corre a través de la bisagra de la puerta.
7. Si su modelo tiene despacho de agua en la puerta, desconecte el cableado que hay debajo de la puerta del congelador. Vea la ilustración 5.
  - Retire el broche del cableado y el alambre del soporte con una llave de cubo de cabeza hexagonal de 1/4".
  - Desconecte los enchufes del cableado del alambre del soporte.
8. Cierre la puerta del congelador y use un destornillador TORX® T30® para retirar la bisagra superior por completo. Vea la ilustración 6.

**IMPORTANTE:** No retire ninguno de los dos tornillos A. Sostenga la puerta mientras se retira la bisagra.
9. Levante la puerta del congelador en sentido recto para retirarla de la bisagra inferior. Vea la ilustración 7. La tubería y el cableado del despachador de agua permanecerán instalados en la puerta del congelador.

**NOTA:** Tal vez se necesiten dos personas para esto: una para levantar la puerta y otra para introducir la tubería de agua y el cableado en el pasador de la bisagra inferior.

**IMPORTANTE:** Apoye la puerta de costado sobre una superficie blanda y limpia, como una toalla, frazada o pieza de cartón. Esto ayudará a evitar rayar o dañar la puerta, la tubería de agua y el cableado.

10. Cierre la puerta del refrigerador y use un destornillador TORX® T30® para retirar la bisagra superior por completo. Vea la ilustración 8.

**IMPORTANTE:** No retire ninguno de los dos tornillos A. Sostenga la puerta mientras se retira la bisagra.

11. Levante la puerta del refrigerador en sentido recto para retirarla de la bisagra inferior. Vea la ilustración 7.

**IMPORTANTE:** Apoye la puerta de costado sobre una superficie blanda y limpia, como una toalla, frazada o pieza de cartón. Esto ayudará a evitar rayar o dañar la puerta.
12. Si el refrigerador sin las puertas no pasa a través de la entradas, puede retirar las dos bisagras inferiores. Use un sacatueras de 5/16" para retirarlas. Vea la ilustración 9.

**IMPORTANTE:** No retire ninguno de los dos tornillos B.

## Cómo volver a colocar o a instalar la puerta y las bisagras

Si se han retirado las puertas y las bisagras inferiores, siga las instrucciones a continuación para reinstalarlas:

1. Reinstale ambas bisagras con un sacatueras de 5/16" para apretar los tornillos. Vea la ilustración 9.
2. Si su modelo tiene despacho de agua en la puerta:
  - Levante la puerta del congelador lo suficiente como para introducir la tubería y el cableado del despachador de agua a través del pasador de la bisagra inferior.

**NOTA:** Tal vez se necesiten dos personas para esto: una para levantar la puerta y otra para introducir la tubería de agua y el cableado en el pasador de la bisagra inferior. Vea la ilustración 7.

  - Inserte la puerta del congelador en el pasador de la bisagra inferior.

**IMPORTANTE:** Sostenga la puerta mientras se instala la bisagra.
3. Cierre la puerta del congelador para alinear y reinstalar la bisagra superior. Use un destornillador TORX® T30® para apretar los tornillos. Vea la ilustración 8.

**IMPORTANTE:** Mientras se reinstala la bisagra superior, use un apoyo adicional para la puerta. No se confíe en que los imanes de las puertas van a sostener la puerta contra el gabinete.
4. Si su modelo tiene despacho de agua en la puerta, conecte la tubería del despachador de agua. Para la conexión, empuje la tubería dentro de la tubería del despachador hasta que la marca de color negro toque la cara del accesorio. Vea la ilustración 4.
5. Conecte el cableado. Vea la ilustración 5.
  - Reinstale el broche del cableado y el alambre del soporte con una llave de cubo de cabeza hexagonal de 1/4".
  - Conecte los enchufes del cableado del alambre del soporte.
6. Levante la puerta del refrigerador lo suficiente como para insertar la puerta en el pasador de la bisagra inferior. Vea la ilustración 7.

**IMPORTANTE:** Sostenga la puerta mientras se instala la bisagra.
7. Cierre la puerta del refrigerador para alinear y reinstalar la bisagra superior. Use un destornillador TORX® T30® para apretar los tornillos. Vea la ilustración 6.

**IMPORTANTE:** Mientras se reinstala la bisagra superior, use un apoyo adicional para la puerta. No se confíe en que los imanes de las puertas van a sostener la puerta contra el gabinete.

## Nivelación y cierre de las puertas

El refrigerador tiene dos ruedas frontales regulables. Vea la ilustración 1.

Se usan para nivelar el refrigerador en condiciones de suelo desparejo o para permitir que las puertas cierren con mayor facilidad. Siga las instrucciones a continuación:

1. Coloque el refrigerador en su ubicación final en la cocina y abra las dos puertas.
2. Abra por completo las dos puertas. Vea la ilustración 1.
3. Si su modelo tiene despacho de agua, tire de la puerta del filtro de agua hacia usted para abrirla. Vea la ilustración 2. No es necesario retirar el filtro de agua en sí.
4. Tire de la rejilla de base hacia usted desde los costados y, después, desde el centro hasta desengancharla. Vea la ilustración 2.
5. Para retirar la rejilla de base, retuerza y tire del lado derecho hasta que ese lado pase por debajo de la puerta del refrigerador. Vea la ilustración 3. Después, tire del lado izquierdo de la rejilla de base para retirarla por completo.
6. Use un sacatuerca de 3/8" para girar los tornillos niveladores que hay a ambos lados del refrigerador. Vea la ilustración 10. Según las condiciones de suelo desparejo, deberá girar uno o los dos tornillos hacia la derecha o la izquierda varias veces para hacer subir o bajar el refrigerador. De ser necesario, use un nivel de burbuja hasta que el refrigerador esté estable.
7. Cierre ambas puertas y verifique que se cierren con la facilidad que usted desee. De lo contrario, gire los dos tornillos hacia la derecha para hacer subir el refrigerador e inclinarlo más hacia atrás hasta que las puertas se cierren con la facilidad que usted desee.
8. Verifique y asegúrese de que la hoja del técnico esté en la cavidad de la rejilla de base antes de ensamblar la rejilla de base dentro del gabinete.
9. Reinstale la rejilla de base dentro del gabinete, primero el lado izquierdo de la rejilla y, después, el derecho. Vea la ilustración 3. La tubería y el cableado del despachador de agua pueden insertarse en la cavidad de la rejilla de base debajo de la bisagra inferior izquierda.
10. Empuje la rejilla de base dentro de los broches del gabinete para que quede instalada. Vea la ilustración 2.

## Alineación de las puertas

Las puertas del refrigerador están diseñadas para quedar un poco desalineadas en sentido vertical cuando el refrigerador está vacío. Siga los pasos a continuación para alinear las puertas del refrigerador.

1. Use una llave de extremo abierto de 11/16" para aflojar la contratuerca que hay debajo de la puerta del refrigerador. Vea la ilustración 11. Acomode la llave de modo que encaje en el espacio.
2. Use una llave abierta de 5/16" para girar el tornillo de alineación. Vea la ilustración 12. Según cuán desalineada esté la puerta del refrigerador con respecto a la puerta del congelador, deberá girar el tornillo hacia la derecha para levantar o hacia la izquierda para bajar la puerta del refrigerador hasta que ambas puertas se hayan alineado verticalmente.
3. Apriete la contratuerca de 11/16" con la llave.
4. Vuelva a instalar la rejilla de base si se desenganchó.

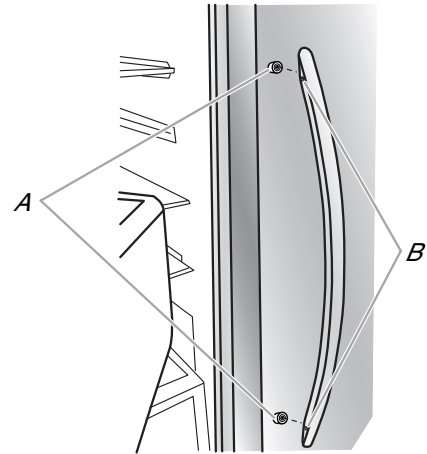
## Cómo instalar y retirar las manijas

**PIEZAS INCLUIDAS:** Manijas de la puerta (2), llave hexagonal de 1/8", tornillo(s) opresor(es) adicional(es)

**Para instalar las manijas:**

**NOTA:** Los tornillos opresores de montaje de la manija vienen instalados previamente.

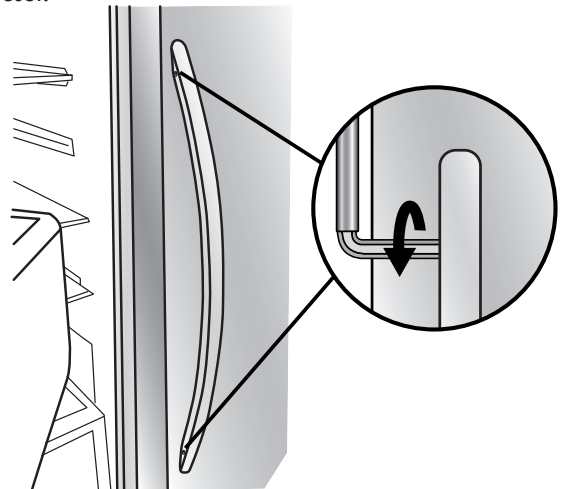
1. Quite las manijas que están en un paquete en el interior del refrigerador.  
**NOTA:** Para evitar rayar el acabado, coloque las manijas sobre una toalla u otra superficie suave.
2. Abra la puerta del congelador. En la puerta del refrigerador, coloque la manija sobre los tornillos de tope, con los tornillos opresores mirando hacia el congelador.



A. Tornillos de tope

B. Tornillos opresores dentro de la manija

3. Empuje con firmeza la manija hacia la puerta hasta que la base de la manija esté a nivel con la puerta.
4. Mientras sostiene la manija, inserte el extremo corto de la llave hexagonal dentro del orificio superior y gire ligeramente la llave hexagonal hasta que quede enganchada en el tornillo opresor.

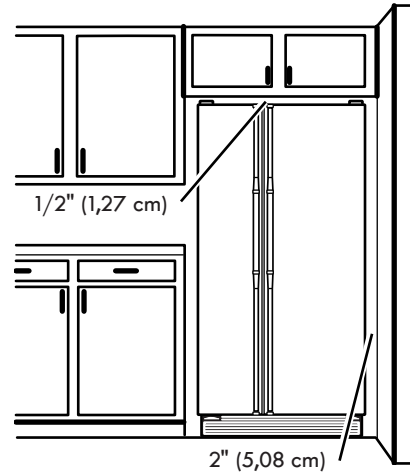


5. Con un movimiento hacia la derecha, apriete el tornillo opresor hasta que comience a hacer contacto con el tornillo de tope.
6. Repita los pasos 4 y 5 para sujetar el tornillo opresor inferior.

- Una vez que ambos tornillos opresores hayan sido apretados parcialmente como se indicó en los pasos anteriores, apriete por completo los tornillos opresores superiores e inferiores.  
**IMPORTANTE:** Cuando los tornillos se sientan ajustados, apriételos un cuarto de giro adicional. La manija no está bien instalada si no la aprieta más de esta manera.
- Abra la puerta del refrigerador y cierre la puerta del congelador. Repita los pasos 2 a 7 para instalar la otra manija en la puerta del congelador, con los tornillos opresores mirando hacia el refrigerador.
- Guarde la llave hexagonal y todas las instrucciones.

#### Para quitar las manijas:

- Mientras sostiene la manija, inserte el extremo corto de la llave hexagonal dentro del orificio inferior del tornillo opresor y gire ligeramente la llave hexagonal hasta que quede enganchada en el tornillo opresor.
- Usando un movimiento contrario al del reloj, afloje el tornillo opresor un cuarto de vuelta por vez.
- Repita los pasos 1 y 2 para el tornillo opresor superior. Jale con suavidad la manija para quitarla de la puerta.
- Si es necesario, use un destornillador Phillips para quitar los tornillos de tope de la puerta.



#### ■ NOTAS:

- Este refrigerador ha sido diseñado para usarse en un lugar en donde los rangos de temperatura varíen entre un mínimo de 55°F (13°C) y un máximo de 110°F (43°C). Para un óptimo rendimiento, el rango preferido de temperatura de la habitación (que reduce el uso de electricidad y provee un enfriamiento superior) es entre 60°F (15°C) y 90°F (32°C). No se recomienda instalar el refrigerador cerca de una fuente de calor, como un horno o un radiador.
- El ancho mínimo normal necesario para el área de corte del gabinete para la instalación del producto es de 36" (91,44 cm). Sin embargo, si el producto se coloca contra una pared extendida y se desea tener espacio para quitar los cajones para verduras, se necesitará un ancho adicional en el gabinete de 18" (45,72 cm), de manera que se recomienda que el ancho total de abertura del gabinete sea de 54" (137,16 cm).

#### Requisitos de ubicación

### ⚠ ADVERTENCIA



#### Peligro de Explosión

Mantenga los materiales y vapores inflamables, tales como gasolina, alejados del refrigerador.

No seguir esta instrucción puede ocasionar la muerte, explosión, o incendio.

**IMPORTANTE:** Este refrigerador ha sido diseñado para usarse solamente en el interior del hogar.

Para asegurar la adecuada ventilación para su refrigerador, deje un espacio de 1/2" (1,27 cm) a cada lado y por encima. Deje un espacio de 2" (5,08 cm) detrás del refrigerador. Si su refrigerador tiene fábrica de hielo, asegúrese que haya espacio adicional atrás para las conexiones de la línea de agua. Si instala el refrigerador próximo a una pared fija, deje un espacio mínimo de 2" (5,08 cm) a cada lado (dependiendo del modelo) para permitir que las puertas se abran bien.

#### Requisitos eléctricos

### ⚠ ADVERTENCIA



#### Peligro de Choque Eléctrico

Conecte a un contacto de pared de conexión a tierra de 3 terminales.

No quite la terminal de conexión a tierra.

No use un adaptador.

No use un cable eléctrico de extensión.

No seguir estas instrucciones puede ocasionar la muerte, incendio o choque eléctrico.

Antes de mover el refrigerador a su ubicación final, es importante asegurarse de que tiene la conexión eléctrica adecuada.

## Método de conexión a tierra recomendado

Se requiere una fuente de energía eléctrica de 115 Voltios, 60 Hz, CA solamente y con fusibles de 15 o 20 amperios, conectada a tierra. Se recomienda que use un circuito separado sólo para su refrigerador. Use un tomacorriente que no se pueda apagar con un interruptor. No use un cable eléctrico de extensión.

**NOTA:** Antes de hacer cualquier tipo de instalación o limpieza o de retirar un foco de luz, desconecte el refrigerador de la fuente de suministro de electricidad. Cuando haya terminado, reconecte el refrigerador a la fuente de suministro de electricidad y vuelva a ajustar el control (del termostato, refrigerador o congelador, según el modelo) en la posición deseada. Consulte "Uso de los controles" en las Instrucciones para el usuario, el Manual del usuario o el Manual de uso y cuidado.

## Requisitos del suministro de agua

Reúna las herramientas y piezas necesarias antes de comenzar la instalación. Lea y siga las instrucciones provistas con cualquiera de las herramientas listadas aquí.

### HERRAMIENTAS NECESARIAS:

- Destornillador de hoja plana
- Llave para tuercas de 1/4"
- Llaves de boca de 7/16" y 1/2" o dos llaves ajustables
- Broca de 1/4"
- Taladro inalámbrico

**NOTA:** El distribuidor de su refrigerador tiene un juego disponible con una válvula de cierre tipo montura de 1/4" (6,35 mm), una unión y tubería de cobre. Antes de comprar, asegúrese que la válvula tipo montura cumpla con los códigos de plomería de su localidad. No use una válvula perforadora o una válvula de montura de 3/16" (4,76 mm) que reduce el flujo de agua y se obstruye con más facilidad.

### IMPORTANTE:

- Todas las instalaciones deben hacerse de acuerdo a los requerimientos locales de plomería.
- Use tuberías de cobre y revise si hay fugas. Instale tubería de cobre en áreas donde la temperatura va a permanecer por encima del punto de congelación.

## Presión del agua

Se necesita un suministro de agua fría con presión entre 30 y 120 lb/pulg<sup>2</sup> (207 y 827 kPa) para hacer funcionar el despachador de agua y la fábrica de hielo. Si tiene preguntas acerca de la presión de agua, llame a un plomero competente autorizado.

- Si su refrigerador tiene un despachador de agua: Después de terminar la instalación, use el despachador de agua para verificar la presión.
  - Quite el filtro de agua y despache 1 taza (237 mL) de agua. Si 1 taza de agua se despacha en 8 segundos o menos, la presión de agua al refrigerador satisface el requisito mínimo.
  - Si demora más de 8 segundos en despachar 1 taza de agua, esto significa que la presión de agua al refrigerador es más baja de la recomendada. Vea "Solución de problemas" para ver sugerencias.

## Suministro de agua de ósmosis inversa

**IMPORTANTE:** La presión del suministro de agua que sale de un sistema de ósmosis inversa y va a la válvula de entrada de agua del refrigerador deberá ser entre 30 y 120 lb/pulg<sup>2</sup> (207 y 827 kPa).

Si se conecta un sistema de filtración de agua de ósmosis inversa al suministro de agua fría, la presión de agua al sistema de ósmosis inversa deberá ser de un mínimo de 40 a 60 lb/pulg<sup>2</sup> (276 a 414 kPa).

Si la presión del agua del sistema de ósmosis inversa es menor de 40 a 60 lb/pulg<sup>2</sup> (276 a 414 kPa):

- Fíjese si el filtro de sedimentos en el sistema de ósmosis inversa está bloqueado y reemplácelo si fuera necesario.
- Deje que se vuelva a llenar el tanque de almacenamiento del sistema de ósmosis inversa después del uso intenso.
- Si su refrigerador tiene un filtro de agua, se podrá reducir la presión aún más si se usa en conjunto con un sistema de ósmosis inversa. Quite el filtro de agua. Vea "Sistema de filtración de agua" en las Instrucciones para el usuario, el Manual del usuario, o el Manual de uso y cuidado.

Si tiene preguntas acerca de la presión de agua, llame a un plomero competente autorizado.

## Conexión del suministro de agua

Lea todas las instrucciones antes de comenzar.

### IMPORTANTE:

- Las instalaciones de plomería deben efectuarse de conformidad con el Código de plomería internacional y los códigos y ordenanzas de plomería locales.
- El tubo de agua gris en la parte posterior del refrigerador (que se utiliza para hacer la conexión a la línea de agua de la casa) es una tubería de PEX (polietileno reticulado). Son aceptables las conexiones de tuberías de cobre y PEX desde la línea de agua de la casa al refrigerador y ayudarán a evitar que el agua y el hielo tengan mal olor o sabor. Revise si hay fugas.
- Instale la tubería sólo en áreas donde las temperaturas permanezcan por encima del punto de congelación.

### HERRAMIENTAS NECESARIAS:

Reúna las herramientas y piezas necesarias antes de comenzar la instalación.

- Destornillador de hoja plana
- Llaves de extremo abierto de 7/16" y 1/2" o dos llaves ajustables
- Llave de tuercas de 1/4"

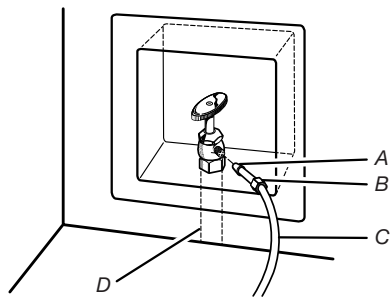
## Conexión a la línea de agua

**IMPORTANTE:** Si enciende el refrigerador antes de conectar la línea del agua, APAGUE la fábrica de hielo.

### Estilo 1 (Recomendado)

1. Desenchufe el refrigerador o desconecte el suministro de energía.
2. Cierre el suministro principal de agua. Abra la llave de agua más cercana el tiempo suficiente para que la tubería de agua se vacíe totalmente.
3. Use una válvula de cierre de un cuarto de vuelta o una equivalente, abastecida por una línea de cobre de suministro del hogar de 1/2".

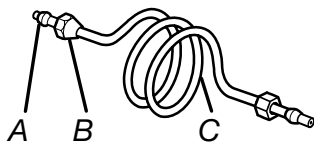
**NOTA:** Se recomienda una línea de cobre de suministro doméstica, de un mínimo de 1/2" para permitir el flujo suficiente de agua al refrigerador.



A. Bulbo  
B. Tuerca  
C. Tubería de cobre (al refrigerador)  
D. Línea de suministro doméstica (1/2" como mínimo)

- Ahora está listo para conectar la tubería de cobre a la válvula de cierre. Use tubería de cobre blando de 1/4" (6,35 mm) de diámetro exterior para conectar la válvula de cierre y el refrigerador.

- Asegúrese de tener la longitud adecuada necesaria para el trabajo. Cerciórese de que ambos extremos de la tubería de cobre estén cortados en ángulo recto.
- Deslice la manga de compresión y la tuerca de compresión en la tubería de cobre según se muestra. Introduzca el extremo de la tubería en el extremo de salida en ángulo recto hasta donde sea posible. Atornille la tuerca de compresión en el extremo de salida usando la llave de tuercas ajustable. No ajuste demasiado.



A. Manga de compresión  
B. Tuerca de compresión  
C. Tubería de cobre

- Coloque el extremo libre de la tubería en un recipiente o un fregadero, abra el suministro principal del agua y deje correr el agua por la tubería hasta que el agua salga limpia. Cierre la válvula de cierre del tubo de agua.

**NOTA:** Siempre desagüe la tubería de agua antes de efectuar la conexión final al orificio de entrada de la válvula de agua para evitar un probable mal funcionamiento de la misma.

- Doble la tubería de cobre para poder encajarla en el orificio de entrada de agua, que está ubicado en la parte trasera de la carcasa del refrigerador, según se muestra. Deje un serpentín de tubería de cobre para permitir sacar el refrigerador del gabinete o alejarlo de la pared para el servicio.

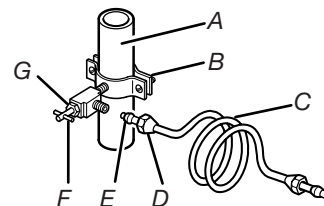
### Estilo 2

- Desenchufe el refrigerador o desconecte el suministro de energía.
- Cierre el suministro principal de agua. Abra la llave de agua más cercana el tiempo suficiente para que la tubería de agua se vacíe totalmente.
- Busque una tubería vertical de agua fría de 1/2" (1,27 cm) a 1 1/4" (3,18 cm) cercana al refrigerador.

### IMPORTANTE:

- Asegúrese de que sea una tubería de agua fría.
- Una tubería horizontal funcionará, pero perfora por el lado superior de la tubería, no por debajo. Esto ayudará a mantener el agua alejada del taladro y evitará que se junte sedimento normal en la válvula.

- Para determinar la longitud de la tubería de cobre que va a necesitar, mida desde la conexión de la parte trasera inferior del refrigerador hasta la tubería de agua. Agregue 7 pies (2,1 m) para permitir la limpieza. Use tubería de cobre de 1/4" (6,35 mm) de diámetro exterior. Asegúrese que ambos extremos de la tubería de cobre estén cortados rectos.
- Usando un taladro inalámbrico, haga un orificio de 1/4" (6,35 mm) en la tubería de agua fría que eligió.



A. Tubería de agua fría  
B. abrazadera para tubería  
C. Tubería de cobre  
D. Tuerca de compresión  
E. Manga de compresión  
F. Válvula de cierre  
G. Tuerca de presión

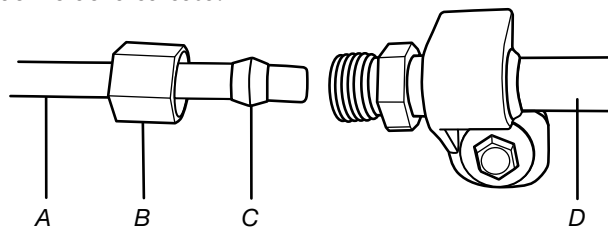
- Ajuste la válvula de cierre a la tubería de agua fría con una abrazadera para tubería. Asegúrese que el extremo de salida esté firmemente insertado en el orificio taladrado de 1/4" (6,35 mm) en la tubería de agua y que la arandela esté por debajo de la abrazadera para tubería. Ajuste la tuerca de presión. Apriete los tornillos de la abrazadera para tubería lentamente y en forma pareja de manera que la arandela provea un cierre hermético. No apriete demasiado porque se puede quebrar la tubería de cobre.
- Deslice la manga de compresión y la tuerca de compresión sobre la tubería de cobre como se muestra. Inserte el extremo de la tubería en el extremo de salida en forma recta hasta donde sea posible. Atornille la tuerca de compresión sobre el extremo de salida con una llave ajustable. No apriete demasiado.
- Coloque el extremo libre de la tubería en un recipiente o fregadero y ABRA el suministro principal de agua. Enjuague la tubería hasta que el agua salga limpia. CIERRE la válvula de cierre del agua en la tubería de agua. Enrolle la tubería de cobre en espiral.

## Conexión al refrigerador

### Estilo 1

- Desenchufe el refrigerador o desconecte el suministro de energía.
- Quite y deseche la parte corta de plástico negro del extremo de la entrada de la línea de agua.
- Enrosque la tuerca en el extremo de la tubería. Apriete la tuerca con la mano y luego apriétela con la llave de tuercas dos giros más. No apriete demasiado.

**NOTA:** Para evitar ruidos molestos, asegúrese de que la tubería de cobre no toque la pared lateral de la carcasa u otras partes dentro de la carcasa.

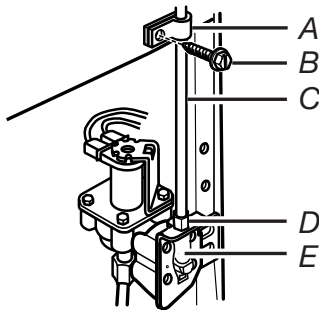


A. Línea de agua de la casa  
B. Tuerca (adquirida)  
C. Férrula (adquirida)  
D. Tubería de agua del refrigerador

4. Instale la abrazadera para tubos de suministro de agua alrededor de la línea de suministro de agua, para reducir la tensión en el acoplamiento.
5. Abra la válvula de cierre.
6. Revise si hay fugas. Ajuste las conexiones (incluso las de la válvula) o tuercas que tengan fugas.

### Estilo 2

1. Desenchufe el refrigerador o desconecte el suministro de energía.
2. Quite y deseche la parte de plástico que está sujeta a la entrada de la válvula de agua.
3. Fije el tubo de cobre a la entrada de la válvula usando una tuerca de compresión y manga de compresión como se muestra. Ajuste la tuerca de compresión. No apriete demasiado.
4. Use la abrazadera para tubería en la parte trasera del refrigerador para afianzar la tubería al refrigerador según se muestra. Esto ayudará a evitar daños en la tubería cuando el refrigerador se empuje nuevamente contra la pared.
5. Abra la válvula de cierre.
6. Revise si hay fugas. Ajuste las conexiones (incluso las de la válvula) o tuercas que tengan fugas.



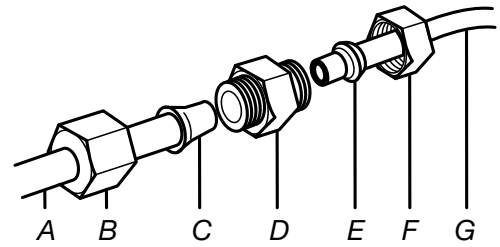
A. Abrazadera para tubería    B. Tornillo de abrazadera para tubería  
C. Tubería de cobre    D. Tuerca de compresión  
E. Tuerca de la válvula

7. En algunos modelos, la fábrica de hielo está equipada con un filtro de agua incorporado. Si las condiciones del agua local requieren un segundo filtro de agua, se debe instalar en la línea de agua de 1/4" (6,35 mm) en cualquiera de las conexiones de la tubería. Consiga un filtro de agua del distribuidor de electrodomésticos más cercano a su domicilio.

### Estilo 3

1. Desenchufe el refrigerador o desconecte el suministro de energía.
2. Retire y descarte el tapón de nylon negro del tubo de agua gris en la parte trasera del refrigerador.
3. Si el tubo de agua gris suministrado con el refrigerador no es suficientemente largo, se necesita un acoplamiento de 1/4" x 1/4" (6,35 mm x 6,35 mm) para conectar la tubería de agua a una línea doméstica de agua existente. Enrosque la tuerca provista sobre el acoplamiento en el extremo de la tubería de cobre.

**NOTA:** Apriete la tuerca a mano. Luego apriétela dos vueltas adicionales con una llave de tuercas. No apriete demasiado.



A. Tubería de agua del refrigerador    D. Acoplamiento (adquirido)  
B. Tuerca (provista)    E. Férula (adquirida)  
C. Bulbo    F. Tuerca (adquirida)  
G. Línea de agua de la casa

4. Abra la válvula de cierre.
5. Revise si hay fugas. Apriete aquellas tuercas o conexiones que tengan fugas (incluidas las conexiones en la válvula).

### Cómo terminar la instalación

## ⚠ ADVERTENCIA



### Peligro de Choque Eléctrico

Conecte a un contacto de pared de conexión a tierra de 3 terminales.

No quite la terminal de conexión a tierra.

No use un adaptador.

No use un cable eléctrico de extensión.

No seguir estas instrucciones puede ocasionar la muerte, incendio o choque eléctrico.

1. Conecte a un contacto de pared de 3 terminales con conexión a tierra.
2. Enjuague el sistema de agua. Vea "Preparación del sistema de agua" o "Despachadores de agua y hielo".

**NOTA:** Deje transcurrir 24 horas para la producción de la primera tanda de hielo. Deje pasar 72 horas para que se llene completamente el recipiente para hielo.

## Prepare el sistema de agua

Sírvase leer antes de usar el sistema de agua.

Inmediatamente después de la instalación, siga los pasos a continuación para asegurarse de que el sistema de agua esté debidamente limpio.

1. Abra la puerta del congelador y apague la fábrica de hielo. Vea “Fábrica de hielo y depósito”.

**NOTA:** Si su modelo tiene un filtro de agua cerciórese de que esté instalado como es debido. Vea “Sistema de filtración de agua”.

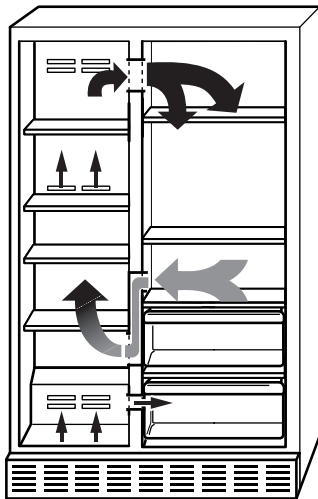
No use con agua que no sea microbiológicamente segura o que sea de calidad desconocida sin desinfectarla adecuadamente antes o después del sistema. Pueden usarse sistemas certificados para la reducción de quistes en aguas desinfectadas que puedan contener quistes filtrables.

2. Enjuague el sistema de agua. Use un recipiente resistente para oprimir y sostener la barra del despachador 5 segundos, luego suéltela 5 segundos. Repita hasta que el agua comience a correr. Una vez que el agua haya comenzado a correr, continúe presionando y soltando la barra del despachador (5 segundos activado, 5 segundos desactivado) hasta despachar un total de 3 gal. (12 L). Esto eliminará el aire en el filtro y en el sistema de despachado de agua y preparará el filtro de agua para ser usado. En algunas casas se podría requerir enjuague adicional. A medida que sale aire del sistema, es posible que salgan chorros de agua repentinos del despachador.
3. Abra la puerta del congelador y encienda la fábrica de hielo.
  - Deje transcurrir 24 horas para la producción de la primera tanda de hielo.
  - Deseche de las tres primeras tandas de hielo producido.

## USO DEL REFRIGERADOR

### Cómo asegurar la debida circulación del aire

Para asegurar las temperaturas correctas, debe permitir que el aire fluya entre las dos secciones. El aire frío entra por la parte inferior de la sección del congelador y asciende. Luego entra en la sección del refrigerador a través del orificio de ventilación superior. Después regresa al congelador como se muestra.



No bloquee ninguno de los orificios de ventilación. Si los orificios de ventilación están bloqueados, se obstruirá el flujo del aire y puede dar lugar a problemas de temperatura y humedad.

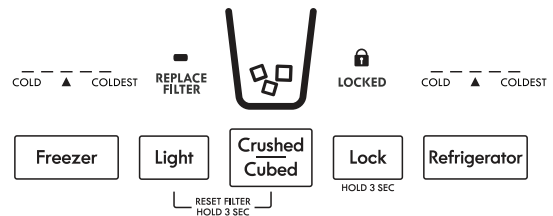
**IMPORTANTE:** Debido a que el aire circula entre ambas secciones, los olores que se formen en una sección pasarán a la otra. Para eliminar los olores, limpie completamente ambas secciones. Para evitar la transferencia de olores y la deshidratación de los alimentos, envuelva o tape bien los alimentos.

### Uso de los controles

Los controles del refrigerador y del congelador están ubicados sobre el panel del despachador.

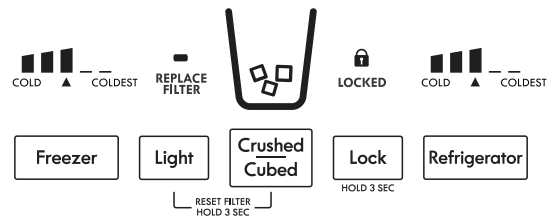
**IMPORTANTE:** La pantalla en el panel de control del despachador se apagará automáticamente, e ingresará al modo de “suspensión” cuando los botones del control y la paleta del despachador no se hayan utilizado por 2 minutos o más. Mientras esté en el modo de “suspensión”, al presionar por primera vez un botón de control solamente se reactivará la pantalla, sin cambiar ningún ajuste.

- Toque cualquier botón del control en el panel del despachador para activar la pantalla. La pantalla principal aparecerá como se muestra.



### ■ Cómo ajustar los controles

Para su comodidad, los controles de su refrigerador y congelador vienen prefijados de fábrica. Al instalar su refrigerador por primera vez, cerciórese de que los controles aún estén fijados en los “ajustes medios”. Esto se mostrará en la secuencia de barras, con tres barras iluminadas.



### IMPORTANTE:

Espere 24 horas antes de colocar alimentos en el refrigerador. Si agrega alimentos antes de que el refrigerador se haya enfriado por completo, sus alimentos podrían echarse a perder.

**NOTA:** El ajustar los puntos de ajuste a un valor más frío que el ajuste recomendado no hará que los compartimientos se enfríen más rápido.

- Si la temperatura está demasiado caliente o demasiado fría en el refrigerador o en el congelador, antes de regular los controles, revise primero los conductos de ventilación para cerciorarse de que no estén obstruidos.
- Los ajustes prefijados deben ser los correctos para un uso doméstico normal. Los controles están ajustados correctamente cuando la leche o los jugos están tan fríos como Ud. desea y cuando el helado tiene consistencia firme.

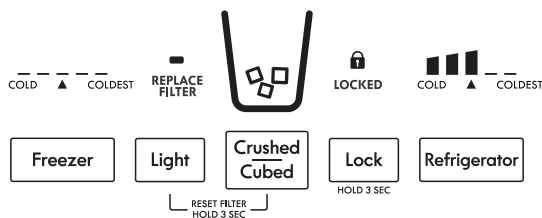
- Espere por lo menos 24 horas entre ajustes. Vuelva a verificar las temperaturas antes de realizar otros ajustes. Si necesita regular la temperatura del refrigerador o el congelador, use como guía los ajustes que se enumeran en la tabla siguiente. Espere al menos 24 horas entre ajustes.

Condición/motivo	Regulación
Refrigerador demasiado caliente	Control del refrigerador 1 ajuste más alto
Congelador demasiado caliente / muy poco hielo	Control del congelador 1 ajuste más alto
Refrigerador demasiado frío	Control del refrigerador 1 ajuste más bajo
Congelador demasiado frío	Control del congelador 1 ajuste más bajo

El rango de puntos de ajuste es "1 barra" (más frío) a "5 barras" (menos frío).

### Control del refrigerador:

- Presione el botón REFRIGERATOR (refrigerador) para ver el ajuste actual del refrigerador.

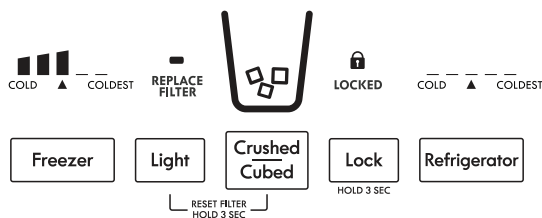


- Presione de nuevo el botón REFRIGERATOR (refrigerador) para ajustar la temperatura del refrigerador. El ajuste de la temperatura aumentará 1 barra con cada pulsación del botón, volviendo a 1 barra después de alcanzar 5.

Después de 2 minutos de inactividad, los cambios se guardarán y la pantalla volverá a la pantalla de inicio.

### Control del congelador:

- Presione el botón FREEZER (congelador) para ver el ajuste actual del congelador.



- Presione de nuevo el botón FREEZER (congelador) para ajustar la temperatura del congelador. El ajuste de la temperatura aumentará 1 barra con cada pulsación del botón, volviendo a 1 barra después de alcanzar 5.

Después de 2 minutos de inactividad, los cambios se guardarán y la pantalla volverá a la pantalla de inicio.

## Despachadores de agua y hielo

Dependiendo de su modelo, puede tener una o más de las siguientes opciones: la posibilidad de seleccionar hielo picado o en cubos, una luz especial que se enciende cuando se utiliza el despachador o una opción de bloqueo para evitar que salga hielo o agua involuntariamente.

### NOTAS:

- El sistema de distribución no funcionará cuando cualquiera de las puertas (la del refrigerador o la del congelador) esté abierta.
- Deje transcurrir 24 horas para que el refrigerador se enfríe y pueda enfriar el agua.
- Deje transcurrir 24 horas para la producción del primer lote de hielo. Deseche los tres primeros lotes de hielo producidos. Deje transcurrir 72 horas para la producción total de hielo. Además, saque grandes cantidades de hielo del depósito de hielo y no a través del despachador.
- La pantalla en el panel de control del despachador se apagará automáticamente, e ingresará al modo de "suspensión" cuando los botones del control y la paleta del despachador no se hayan utilizado por 2 minutos o más. Mientras esté en el modo de "suspensión", al presionar por primera vez un botón de control solamente se reactivará la pantalla, sin cambiar ningún ajuste.

### Enjuague el sistema de agua

El aire en el sistema de despacho de agua puede hacer que gotee agua del despachador. Después de haber conectado el refrigerador a un suministro de agua o de haber reemplazado el filtro de agua, enjuague el sistema de agua. Al enjuagar el sistema de despacho de agua, sacará el aire de la línea de agua y del filtro, y preparará el filtro de agua para ser usado.

**NOTA:** A medida que sale aire del sistema, es posible que salgan chorros de agua repentinos del despachador.

1. Con un recipiente resistente, presione y sostenga la palanca del despachador 5 segundos, luego suéltela 5 segundos.
2. Repita el paso 1 hasta que el agua comience a correr.
3. Una vez que el agua haya comenzado a correr, continúe presionando y soltando la barra del despachador (5 segundos activado, 5 segundos desactivado) hasta despachar un total de 3 gal. (12 L).

En algunas casas, se podría requerir enjuague adicional.

### El despachador de agua

#### IMPORTANTE:

- Despache por lo menos 1 qt (1 L) de agua cada semana para mantener un suministro fresco.
- Si disminuye el flujo de agua desde el despachador, puede deberse a presión de agua baja.
  - Quite el filtro de agua y despache 1 taza (237 mL) de agua. Si 1 taza de agua se despacha en 8 segundos o menos, la presión de agua al refrigerador satisface el requisito mínimo.
  - Si demora más de 8 segundos en despachar 1 taza de agua, esto significa que la presión de agua al refrigerador es más baja de la recomendada. Vea "Requisitos del suministro de agua" o "Solución de problemas" para posibles soluciones.

## Cómo despachar agua:

1. Presione con un vaso resistente contra la paleta del despachador. Sostenga el vaso cerca del pico del despachador para asegurar que el agua se despache dentro del vaso.
2. Retire el vaso para detener el despacho.

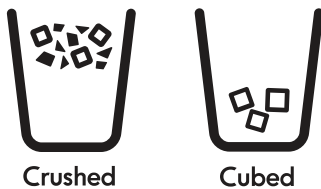
**IMPORTANTE:** La bandeja pequeña en la parte inferior del despachador está diseñada para contener pequeños derrames y permitir una limpieza fácil. Esta bandeja no tiene desagüe.

## El despachador de hielo

El hielo se distribuye del depósito de la fábrica de hielo en el congelador cuando se presiona la almohadilla del despachador. Para apagar la fábrica de hielo, vea "Fábrica de hielo y depósito".

Su fábrica de hielo produce hielo picado y en cubos. Antes de sacar hielo, seleccione el tipo de hielo que desea, presionando el botón de ICE TYPE (Tipo de hielo).

La pantalla indica qué tipo de hielo se ha seleccionado.



Para obtener hielo picado, el hielo es triturado antes de ser despachado. Esto puede retrasar un poco la distribución del hielo picado. El ruido proveniente del triturador de hielo es normal y los trozos de hielo pueden variar en tamaño. Cuando cambie de la posición de hielo picado a cubos, caen unas onzas de hielo picado junto con los primeros cubos.

### Para despachar hielo:

1. Presione el botón correspondiente al tipo de hielo deseado.

**⚠ ADVERTENCIA**



**Peligro de Cortaduras**

**Use un vaso resistente para recibir hielo del despachador.**

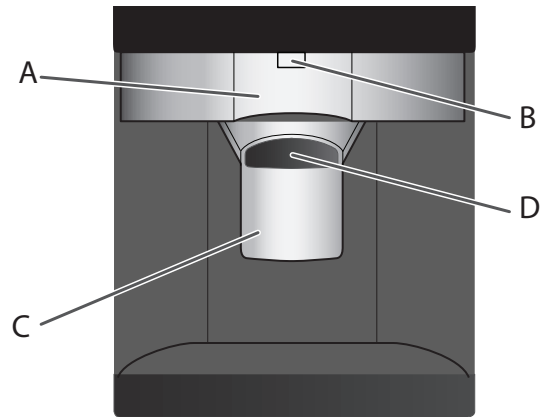
**No seguir esta instrucción puede ocasionar cortaduras.**

2. Oprima con un vaso resistente la paleta del despachador de hielo. Sostenga el vaso cerca de la guía para el hielo, para asegurarse de que el hielo se despache dentro del vaso.

**IMPORTANTE:** No es necesario aplicar mucha presión a la almohadilla para activar el despachador de hielo. Oprimir fuerte no hará que el despachador funcione con más rapidez o produzca mayor cantidad de hielo.

3. Retire el vaso para detener la salida de hielo.

**NOTA:** El hielo puede continuar saliendo por varios segundos después de haber retirado el vaso de la paleta. El despachador puede continuar haciendo ruido por algunos segundos después de haber despachado.



- A. Paleta del despachador de agua
- B. Pico del despachador de agua
- C. Paleta del despachador de hielo
- D. Guía para el hielo

## La luz del despachador

Cuando utilice el despachador, la luz se encenderá automáticamente.

- Si desea que la luz esté encendida continuamente, presione el botón LIGHT (Luz).
- Presione el botón LIGHT (Luz) por segunda vez para apagar la luz del despachador.

Las luces del despachador son del tipo LED y no se pueden cambiar. Si le parece que las luces del despachador no funcionan, vea "Solución de problemas" para obtener más información.

## El bloqueo del despachador

El despachador puede apagarse para facilitar la limpieza o para evitar que sea activado involuntariamente por niños pequeños o animales domésticos.

**NOTA:** La función de bloqueo no interrumpe el flujo eléctrico al refrigerador, a la fábrica de hielo o a la luz del despachador. Únicamente desactiva los controles y la paleta del despachador. Para apagar la fábrica de hielo, vea "Fábrica de hielo y depósito".

- Mantenga presionado LOCK (Bloqueo) por 3 segundos para bloquear el despachador.
- Mantenga presionado el botón LOCK (Bloqueo) por segunda vez para desbloquear el despachador.



## LOCKED

- La pantalla indica cuando el despachador está bloqueado.

## Sistema de filtración de agua

No use con agua que no sea microbiológicamente segura o que sea de calidad desconocida sin desinfectarla adecuadamente antes o después del sistema. Pueden usarse sistemas certificados para la reducción de quistes en aguas desinfectadas que puedan contener quistes filtrables.

### Luz de estado del filtro de agua (en algunos modelos)

La luz del estado del filtro de agua le indicará cuándo cambiar el filtro de agua.

- Reemplace el cartucho del filtro de agua cuando el indicador de estado del filtro de agua encienda.

**NOTA:** Si el flujo de agua a su despachador de agua o fábrica de hielo disminuye notoriamente, cambie el filtro antes.

Se debe reemplazar el filtro al menos una vez cada 6 meses según la calidad del agua y el uso.

**REPLACE  
FILTER**

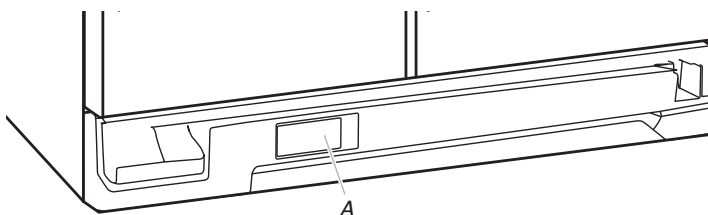
### Cómo reestablecer el estado del filtro

- Después de cambiar el filtro de agua, mantenga presionados **LIGHT** (Luz) y **ICE TYPE** (Tipo de hielo) para restablecer la luz de estado del filtro.

El indicador de estado se apagará cuando el sistema haya sido reestablecido.

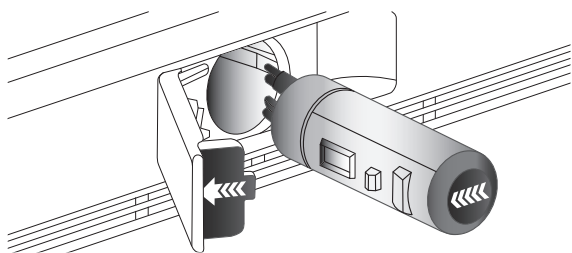
### Cómo cambiar el filtro de agua

#### Estilo 1



A. Puerta del filtro de agua

1. Ubique la puerta de la cubierta del filtro de agua que está en la rejilla de la base y jálela para abrirla. El filtro se liberará y saldrá al mismo tiempo que se abre la puerta.
2. Cuando la puerta se haya abierto por completo, jale el filtro directo hacia fuera.



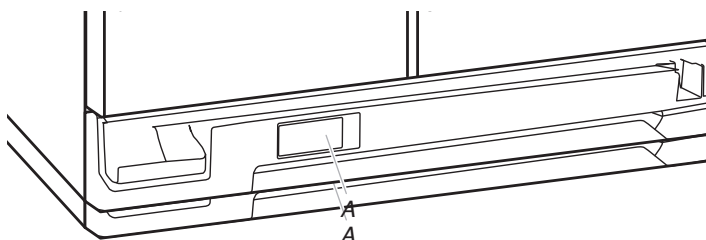
**NOTA:** Es posible que quede agua en el filtro. Es posible que se derrame un poco de esa agua. Use una toalla para secar cualquier derrame.

3. Saque el filtro nuevo de su empaque y quite las cubiertas de las juntas tóricas. Asegúrese de que las juntas tóricas sigan en su lugar después de que se retiren las cubiertas.
4. Con la flecha señalando hacia la derecha (hacia la bisagra de la puerta de la cubierta del filtro), alinee el filtro nuevo con el receptáculo y deslícelo en su lugar. La puerta de la cubierta del filtro comenzará a cerrarse automáticamente a medida que se inserta el nuevo filtro.
5. Cierre por completo la puerta de la cubierta del filtro para que el filtro encaje en su lugar. Tal vez necesite presionar con fuerza.
6. Enjuague el sistema de agua. Vea "Despachadores de agua y hielo".

### Cómo cambiar el filtro de agua

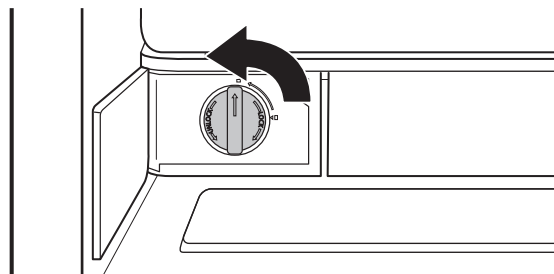
#### Estilo 2

1. Localice la puerta de la cubierta del filtro de agua en la rejilla de la base y tire para abrir la puerta del filtro.

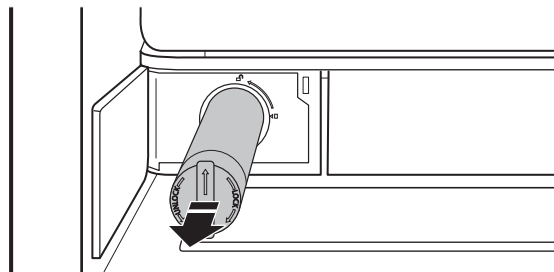


A. Puerta del filtro de agua

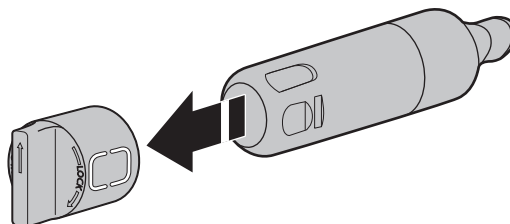
2. Retuerza el filtro de agua y gire 90° en sentido antihorario para desbloquearlo.



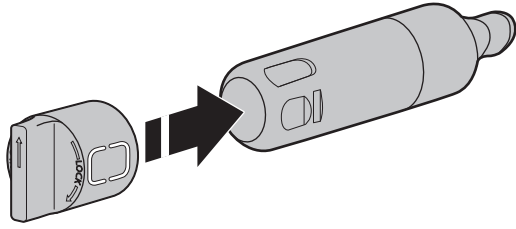
3. Jale el filtro hacia fuera del alojamiento.



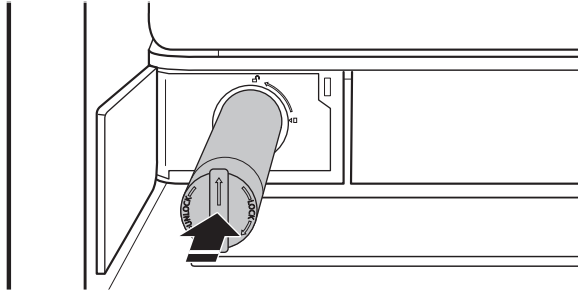
4. Quite la tapa del filtro de agua del filtro de agua.



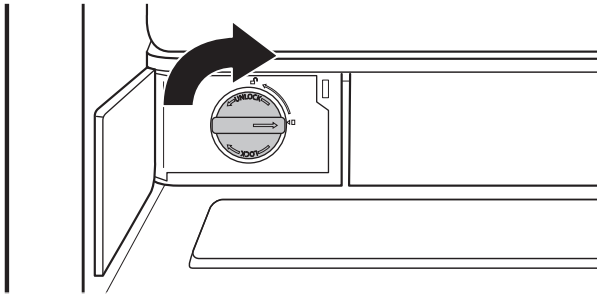
- Instale la tapa del filtro de agua en el nuevo filtro. Asegúrese de alinear las flechas de modo que las ranuras del filtro se alineen con las nervaduras de la tapa del filtro.



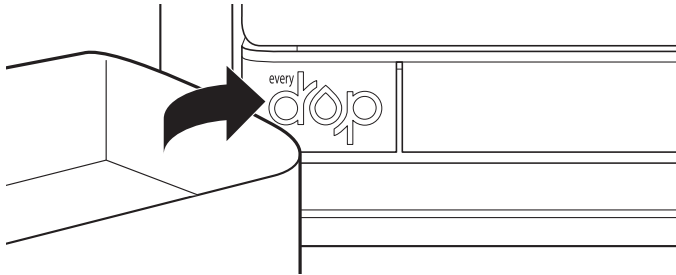
- Inserte el filtro en el alojamiento.



- Retuerza el filtro de agua y gire 90° en sentido horario hasta que se bloquee en su lugar y hasta que las flechas queden alineadas.



- Presione la puerta del filtro de agua para cerrarla.



### Fábrica de hielo y depósito

- Deje transcurrir 24 horas para la producción del primer lote de hielo. Deseche de los tres primeros lotes de hielo producidos.
- La calidad del hielo dependerá de la calidad del agua que suministre a su fábrica de hielo. Evite la conexión de su fábrica de hielo a un suministro de agua ablandada. Los químicos para ablandar el agua (como la sal) pueden dañar ciertos componentes de la fábrica de hielo y producir un hielo de muy baja calidad. Si no se puede evitar el uso de un suministro de agua ablandada, asegúrese de que el ablandador de agua esté funcionando correctamente y que tenga un buen mantenimiento.

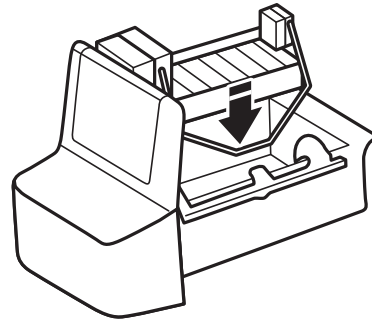
- No use instrumentos afilados para romper el hielo en el depósito. Esto puede dañar el recipiente de hielo y el mecanismo de despachado.
- No guarde nada encima ni dentro de la fábrica de hielo, ni en el depósito.

### Para encender y apagar la fábrica de hielo

#### Estilo 1

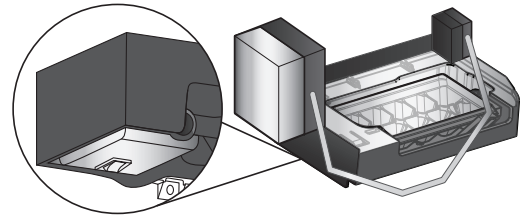
- Para encender la fábrica de hielo, levante la puerta de la fábrica y baje el brazo de cierre de alambre hasta la posición On (Encendido) (abajo).
- Para apagar la fábrica de hielo manualmente, levante el brazo de control de alambre a la posición de Off (Apagado - elevado) y escuche el chasquido. Aún se puede sacar hielo del despachador pero no se puede fabricar más.

**NOTA:** Su fábrica de hielo tiene un apagado automático. A medida que se produce el hielo, los cubitos de hielo llenarán el depósito para hielo y éstos levantarán el brazo de control de alambre a la posición de Off (Apagado - elevado). No fuerce el brazo de control de alambre hacia arriba o hacia abajo.



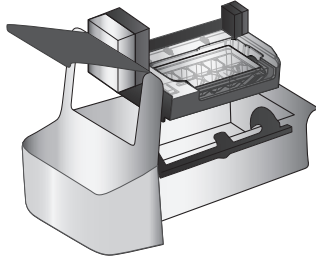
#### Estilo 2

- El interruptor On/Off (Encendido/Apagado), esta ubicado en la parte inferior de la fábrica, se puede acceder levantando y abriendo la puerta de la fábrica de hielo.



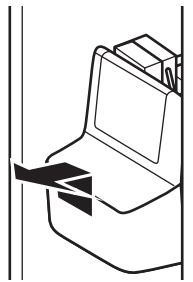
- Para encender la fábrica de hielo, levante la puerta y mueva el interruptor a la posición On (Encendido - hacia lado derecho).
- Para apagar la fábrica de hielo manualmente, levante la puerta y mueva el interruptor a la posición Off (Apagado - hacia lado izquierdo). El hielo puede seguir siendo despachado, pero no se fabrica más.

**NOTA:** La fábrica de hielo tiene un control automático para evitar que el depósito de hielo se llene en exceso durante el funcionamiento normal. Mientras se produce hielo, los cubos de hielo llenarán el depósito de hielo y elevarán el brazo de control a la posición de Off (Apagado - hacia arriba). Cuando el depósito de hielo llegue a su capacidad máxima, la fábrica de hielo detendrá de forma automática la producción de hielo, pero el interruptor On/Off (Encendido/Apagado) de la fábrica de hielo permanecerá en la posición ON (Encendido hacia lado derecho).



### Para quitar y volver a colocar el depósito de hielo

1. Levante la puerta de la fábrica de hielo y manténgala abierta.
2. Eleve el brazo de cierre de alambre hasta que enganche en la posición Off (Apagado - elevado) o mueva el interruptor a la posición Off (Apagado - hacia lado izquierdo). Suelte la puerta de la fábrica de hielo.
3. Levante y jale de la parte delantera del depósito de hielo para sacarlo.



4. Vuelva a colocar el depósito empujándolo hasta el fondo, de lo contrario el despachador de hielo no funcionará.
5. Para volver a iniciar la producción de hielo, levante la puerta de la fábrica de hielo para abrirla y empuje hacia abajo el brazo de cierre de alambre hacia la posición On (Encendido) (abajo) o mueva el interruptor a la posición On (Encendido - hacia lado derecho). Asegúrese de que la puerta esté bien cerrada.

## CARACTERÍSTICAS DEL REFRIGERADOR

Su modelo podrá contar con algunas o todas estas características.

### Información importante para saber acerca de los estantes y tapas de vidrio:

No limpie los estantes y tapas de vidrio con agua caliente mientras están fríos. Los estantes y tapas pueden romperse si se exponen a cambios bruscos de temperatura o impacto, como sería un golpe brusco. El vidrio templado se ha diseñado para hacerse añicos. Esto es normal. Los estantes y tapas de vidrio son muy pesados. Use ambas manos al sacarlos para evitar que se caigan.

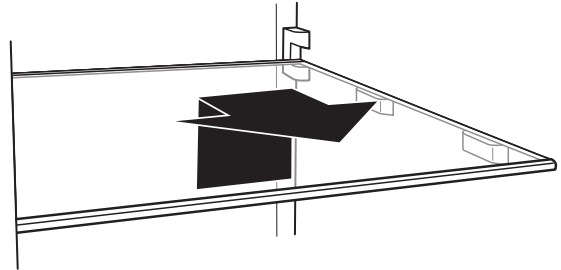
### Estantes del refrigerador

(el número de estantes varía según del modelo)

Si guarda alimentos similares juntos y ajusta los estantes para que se adapten a las diferentes alturas de los artículos, se reduce el tiempo que el refrigerador permanece abierto y se ahorra energía.

#### Para quitar y volver a colocar un estante:

1. Levante la parte posterior del estante para retirarlo de las nervaduras. Jale el estante hacia adelante hasta que quede liberado.
2. Vuelva a colocar el estante alineándolo con las nervaduras. Deslícelo sobre los soportes. Asegúrese de que quede firme en su lugar.

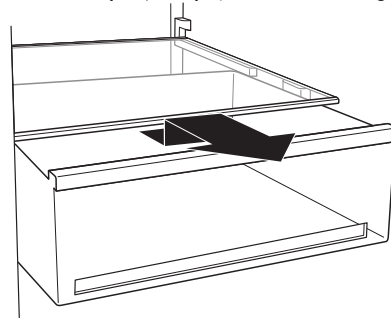


### Cajón para carnes frías (en algunos modelos)

El cajón para carnes frías es muy conveniente para guardar pasas, nueces, comidas para untar y otros artículos pequeños a la temperatura normal del refrigerador.

#### Para quitar y volver a colocar el cajón para carnes frías:

1. Quite el cajón para carnes frías deslizándolo hasta el tope. Levante el frente y la parte posterior del cajón para sacarlo las nervaduras del gabinete. Incline el cajón hacia un costado para quitarlo del compartimiento del refrigerador.
2. Vuelva a colocar el cajón para carnes frías deslizándolo hacia atrás pasando el tope y empujándolo a su lugar.



### Cajón convertible para verduras/carne, cajón para verduras y tapas (en algunos modelos)

#### Cajón para verduras y cajón convertible para verduras/carne

#### Para quitar y volver a colocar los cajones:

1. Deslice el cajón para verduras y el cajón para carne hasta el tope. Eleve el frente del cajón con una mano mientras sujeta la parte inferior con la otra mano y deslice el cajón hasta que salga.
2. Vuelva a colocar el cajón para verduras o el cajón para carne deslizándolo hacia atrás pasando el tope.

## Cubiertas del cajón para verduras y del cajón convertible para verduras/carne

### Para quitar y volver a colocar las cubiertas:

1. Quite los cajones para verduras o carne. Incline el frente de la cubierta del cajón hacia arriba y jale para liberar los topes de las nervaduras. Repita los pasos para quitar la cubierta del cajón para carne.
2. Vuelva a colocar la cubierta del cajón de carnes en los soportes o guías que se encuentran en las paredes laterales del refrigerador y deslice el frente de la cubierta a su lugar. Repita los pasos para volver a colocar la cubierta del cajón para verduras.

### Guía para la conservación de carnes

Guarde la mayoría de las carnes en su envoltura original siempre y cuando sea hermética y a prueba de humedad. Vuelva a envolverlas si fuera necesario. Consulte el cuadro siguiente respecto a los períodos de conservación. Para guardar la carne por un tiempo más prolongado que los períodos indicados, congélela.

Pescado fresco o mariscos	Úselos el mismo día de su compra
Pollo, carne de res molida, carnes varias (hígado, etc.)	1-2 días
Carnes frías, filetes/asados	3-5 días
Carnes curadas	7-10 días

Sobras - Cubra las sobras con envoltura de plástico o papel de aluminio, o guárdelas en recipientes de plástico con tapas herméticas.

### Control de humedad del cajón para verduras (en algunos modelos)

Se puede controlar el nivel de humedad en el cajón hermético para verduras. Regule el control a cualquier ajuste entre FRUIT (Frutas - lado izquierdo) y VEGETABLES (Verduras - lado derecho).

Fruit | | | | | | | Vegetables  
 - Humidity Control +

Fruit (Frutas) (lado izquierdo) (posición abierta) deja que el aire húmedo salga del cajón para verduras, y es el más adecuado para conservar las frutas y verduras con piel.

- Frutas: Lávelas, déjelas secar y guárdelas en el refrigerador en bolsas de plástico o en el cajón para verduras. No lave ni pele las bayas sino en el momento de usarlas. Separe y guarde las bayas en su recipiente original en el cajón para verduras o guárdelas en una bolsa de papel cerrada sin apretar en un estante del refrigerador.
- Verduras con piel: Colóquelas en bolsas de plástico o recipientes de plástico y guárdelas en el cajón para verduras.

VEGETABLES (Verduras) [lado derecho] (posición cerrada) mantiene el aire húmedo en el cajón para verduras y es el más adecuado para conservar las verduras frescas de hoja.

- Verduras de hoja: Lávelas con agua fría, escúrralas y deseche de las partes magulladas o amarillentas. Colóquelas en una bolsa de plástico o un recipiente de plástico y guárdelas en el cajón para verduras.

## CARACTERÍSTICAS DEL CONGELADOR

Su modelo podría contar con algunas o todas estas características.

### Guía para la conservación de alimentos congelados

Los períodos de conservación variarán según la calidad y tipo de alimentos, el tipo de embalaje o envoltura empleada (deberá ser hermético y a prueba de humedad) y la temperatura de conservación. Es normal que haya cristales de hielo dentro de un paquete sellado. Esto simplemente indica que la humedad y el aire dentro del paquete se han condensado, creando cristales de hielo.

No coloque en el congelador más alimentos sin congelar de los que puedan congelarse en 24 horas (no más de 2 a 3 lb de alimentos por pie cúbico [907 a 1.350 g por 28 L] de espacio en el congelador). Deje suficiente espacio en el congelador para la circulación de aire entre los paquetes. Tenga cuidado de dejar suficiente espacio para que la puerta pueda cerrarse herméticamente.

Para obtener más información respecto a la preparación de alimentos para su congelación, consulte una guía de congeladores o un buen libro de cocina.

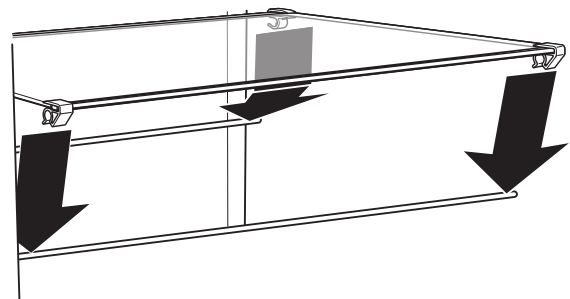
### Estante del congelador (el número de estantes varía según del modelo)

#### Para quitar y volver a colocar el estante inferior:

1. Levante la parte frontal y trasera del estante y retírelo del gabinete. Asegúrese de no remover las varillas de sujeción del estante.
2. Vuelva a colocar el estante alineando las varillas con las nervaduras del gabinete. Aplique un poco de presión sobre el estante para fijar las varillas en las nervaduras del gabinete.

#### Para quitar y volver a colocar el estante medio y superior:

1. Con la mano, empuje el estante de abajo hacia arriba hasta que se libere de la varilla de sujeción. Jale el estante hasta que se libere de la varilla trasera. Retire el estante del gabinete.
2. Para colocar nuevamente el estante:
  - Coloque las varillas dentro de los orificios de soporte. Empuje las varillas hacia abajo hasta que hagan clic al instalarse en el orificio de soporte.
  - Identifique el borde frontal y trasero del estante.



- Coloque el borde trasero del estante sobre la varilla trasera y empuje el estante hasta que haga clic la varilla dentro del borde posterior (mantenga la parte frontal del estante levantada mientras empuja).
- Baje el frente del estante hasta que el borde frontal esté sobre la varilla y empuje el estante hacia abajo hasta que la varilla haga clic dentro del borde posterior.

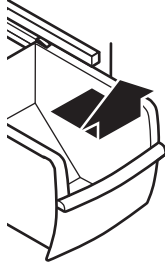
**NOTA:** Asegúrese de que ambos lados del estante estén ubicados uniformemente en los orificios de soporte del estante y que el estante quede fijo.

## Recipiente del congelador (en algunos modelos)

El recipiente del congelador se puede utilizar para guardar bolsas de frutas y verduras congeladas que podrían caerse de los estantes del congelador.

### Para quitar y volver a colocar el recipiente del congelador:

1. Quite el recipiente deslizándolo hacia afuera hasta el tope. Levante el frente del recipiente y deslícelo hacia afuera totalmente.



2. Vuelva a colocar el recipiente en su lugar, colocándolo en los rieles. Levante la parte frontal del recipiente ligeramente al tiempo que la empuja hasta después de los topes.

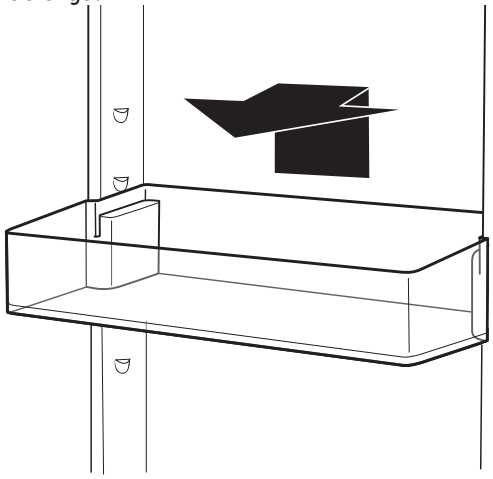
## CARACTERÍSTICAS DE LA PUERTA

Su modelo podría contar con algunas o todas estas características.

### Recipientes de la puerta (en algunos modelos)

#### Para quitar y volver a colocar los recipientes:

1. Quite el recipiente levantándolo y jalándolo directamente hacia afuera.
2. Vuelva a colocar el recipiente deslizándolo hacia adentro sobre los soportes elegidos y empujándolo hacia abajo hasta que se detenga.



### Rieles o recipientes de la puerta (en algunos modelos)

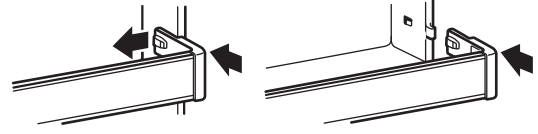
Se pueden quitar los rieles y los recipientes de la puerta para facilitar la limpieza.

#### Rieles o recipientes a presión de la puerta

#### Para quitar y volver a colocar los rieles o recipientes:

1. Quite los rieles o los recipientes empujando hacia adentro ligeramente en la parte frontal del soporte mientras jala hacia afuera la lengüeta interior. Repita estos pasos para el otro extremo del riel o del recipiente.

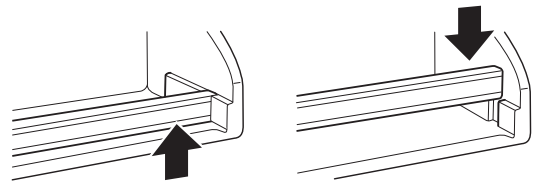
2. Vuelva a colocar los rieles o los recipientes alineando los extremos de los soportes con los botones que están en los costados del revestimiento de la puerta. Encaje a presión el soporte en las lengüetas que están encima del estante, tal como se ilustra.



#### Rieles calzables de la puerta

#### Para quitar y volver a colocar los rieles:

1. Quite los rieles jalando directamente hacia arriba cada extremo del riel.
2. Vuelva a colocar los rieles deslizando el riel del estante en las ranuras de la puerta y empujando el riel directamente hacia abajo hasta que se detenga.



## CUIDADO DEL REFRIGERADOR

### Limpieza

## ⚠️ ADVERTENCIA



### Peligro de Explosión

Use un limpiador no inflamable.

No seguir esta instrucción puede ocasionar la muerte, explosión o incendio.

Tanto la sección del refrigerador como la del congelador se descongelan automáticamente. No obstante, limpie ambos compartimientos más o menos una vez al mes para evitar la acumulación de olores. Limpie los derrames de inmediato.

#### Para limpiar su refrigerador:

1. Desenchufe el refrigerador o desconecte el suministro de energía.
2. Quite todas las partes desmontables del interior, tales como estantes, cajones para verduras, etc.

3. Lave a mano, enjuague y seque todas las partes desmontables y las superficies interiores meticulosamente. Use una esponja limpia o un paño suave y un detergente suave con agua tibia.

■ No use productos de limpieza abrasivos o ásperos, como aerosoles para ventanas, productos de limpieza para pulir, líquidos inflamables, ceras para limpieza, detergentes concentrados, blanqueadores o productos de limpieza que contengan productos derivados del petróleo en las partes de plástico, en el interior, revestimientos de la puerta o juntas. No use toallas de papel, estropajos para fregar ni otros utensilios de limpieza ásperos. Éstos pueden rayar o dañar los materiales.

■ Para ayudar a eliminar olores, puede lavar las paredes interiores con una mezcla de agua tibia y bicarbonato de sodio (2 cucharadas en un cuarto de galón [26 g en 0,95 L] de agua).

4. Fijese si su refrigerador tiene el exterior de metal pintado, acabado Ultra Satin™ (con apariencia inoxidable), aluminio cepillado o de acero inoxidable y elija el método de limpieza adecuado.

**NOTA:** El acabado Ultra Satin™ (con apariencia inoxidable) tiene un color suave y uniforme con un acabado brillante que resiste las marcas de los dedos. El acero inoxidable tiene una textura vetada bien diferenciada con variación en el color, lo cual es natural en el acero.

**Metal pintado:** Limpie el exterior con una esponja limpia o un paño liso y un detergente suave en agua tibia. No use limpiadores ásperos o abrasivos ni limpiadores destinados a acero inoxidable. Seque meticulosamente con un paño suave. Además, para evitar daños a las superficies exteriores metálicas pintadas, aplique cera para electrodomésticos (o cera en pasta para autos) con un paño limpio y suave. No encere las partes de plástico.

**Aluminio cepillado:** Lave con una esponja limpia o un paño liso y un detergente suave en agua tibia. No use limpiadores ásperos o abrasivos ni limpiadores destinados a acero inoxidable. Seque meticulosamente con un paño suave.

**Acabado Ultra Satin™ (con apariencia inoxidable):** Lave con una esponja limpia o un paño liso y un detergente suave en agua tibia. No use limpiadores ásperos o abrasivos ni limpiadores destinados a acero inoxidable. Seque meticulosamente con un paño suave.

**Acabado de acero inoxidable:** Lave con una esponja limpia o un paño liso y un detergente suave en agua tibia. No use productos de limpieza abrasivos o ásperos. Seque meticulosamente con un paño suave.

■ Para mantener como nuevo su refrigerador de acero inoxidable y para quitar marcas o rayaduras pequeñas, se sugiere usar el limpiador para acero inoxidable aprobado por el fabricante. Para ordenar el limpiador, vea "Accesorios".

**IMPORTANTE:** Este limpiador es solamente para partes de acero inoxidable.

■ No permita que el limpiador para acero inoxidable entre en contacto con ninguna parte de plástico tales como las piezas decorativas, las tapas del despachador o las juntas de la puerta. Si se produce contacto no intencional, limpie la pieza de plástico con una esponja y detergente suave en agua tibia. Seque meticulosamente con un paño suave.

5. Si su modelo tiene una pantalla táctil en el panel del despachador, límpiela con un paño suave que no deje pelusa. Mezcle detergente suave con agua y utilice la mezcla para mojar el paño y limpiar la pantalla cuidadosamente.

■ Para evitar cambiar los ajustes involuntariamente, asegúrese que el refrigerador esté desconectado o que se haya desconectado el suministro de energía antes de limpiar la pantalla.

■ No moje demasiado el paño. No rocíe ni talle líquidos directamente en la pantalla. No use productos de limpieza abrasivos o ásperos como aerosoles para ventanas, productos de limpieza para pulir, líquidos inflamables, ceras para limpieza, detergentes concentrados, quitaesmalte, blanqueadores o limpiadores que contengan productos derivados del petróleo. No use toallas de papel, estropajos para fregar u otros utensilios de limpieza ásperos. Éstos pueden rayar o dañar los materiales.

6. Una limpieza rutinaria del condensador no es necesaria en ambientes normales de operación en el hogar. Si el ambiente contiene mucha grasa o polvo o si hay bastante tránsito de mascotas en el hogar, el condensador deberá limpiarse cada dos o tres meses para asegurar la máxima eficiencia.

Si necesita limpiar el condensador:

■ Quite la rejilla de la base. Vea la ilustración "Rejilla de la base" o la sección "Rejilla de la base".

■ Use una aspiradora con un cepillo suave para limpiar la rejilla, las áreas abiertas detrás de la rejilla y el área de la superficie frontal del condensador.

■ Vuelva a colocar la rejilla de la base cuando termine.

7. Enchufe el refrigerador o reconecte el suministro de energía.

## Luces

**NOTA:** No todos los focos para aparatos electrodomésticos son adecuados para su refrigerador. Asegúrese de cambiar el foco con otro que sea del mismo tamaño y forma.

■ Las luces del despachador son del tipo LED y no se pueden cambiar.

■ En algunos modelos, las luces interiores son LEDs que no pueden cambiarse.

■ En algunos modelos, las luces interiores necesitan un foco de 40 vatios.

1. Desenchufe el refrigerador o desconecte el suministro de energía.
2. Quite la pantalla de la luz si es necesario, según se explica en las secciones a continuación.

**NOTA:** Para limpiar la pantalla de la luz, lávela con agua tibia y un detergente líquido. Enjuague y seque la pantalla meticulosamente.

3. Quite el foco y reemplácelo con uno del mismo tamaño, forma y vatiaje.
4. Vuelva a colocar la pantalla de luz si es necesario, como se muestra.
5. Enchufe el refrigerador o reconecte el suministro de energía.

## Cortes de corriente

Si no hay electricidad por 24 horas o menos, mantenga la puerta o las puertas cerradas (según el modelo) para ayudar a que los alimentos se mantengan fríos y congelados.

Si el corte de electricidad dura más de 24 horas, use una de las opciones a continuación:

- Saque todos los alimentos congelados y guárdelos en una conservadora de comida congelada.
- Ponga 2 lb (907 g) de hielo seco en el congelador por cada pie cúbico (28 L) de espacio en su congelador. Esto mantendrá los alimentos congelados de 2 a 4 días.
- Si no tiene conservadora de alimentos ni hielo seco, use todos los alimentos perecederos o prepare conservas de inmediato.

**RECUERDE:** Un congelador lleno se mantiene frío por más tiempo que uno a medio llenar. Un congelador lleno de carne se mantiene frío por más tiempo que uno lleno de alimentos horneados. Si ve que los alimentos contienen cristales de hielo, se pueden volver a congelar, pero la calidad y el sabor pueden afectarse. Si el alimento no está en buenas condiciones, deséchelo.

## Cuidado durante las vacaciones y mudanzas

### Vacaciones

**Si decide dejar el refrigerador funcionando mientras está ausente:**

1. Use todos los artículos perecederos y congele el resto.
2. Si su refrigerador tiene una fábrica de hielo automática y está conectada al suministro de agua de la casa, cierre el suministro de agua al refrigerador. Si no se cierra el suministro de agua, pueden ocurrir daños a la propiedad.
3. Si tiene una fábrica de hielo automática, apáguela.  
**NOTA:** Según el modelo, levante el brazo de cierre de alambre a la posición de Off (Apagado - hacia arriba) o presione el interruptor hacia Off (Apagado).
4. Vacíe el depósito de hielo.

**Si decide apagar el refrigerador antes de irse:**

1. Saque toda la comida del refrigerador.
2. Si su refrigerador tiene fábrica de hielo automática:
  - Cierre el suministro de agua a la fábrica de hielo por lo menos un día antes.
  - Cuando el último lote de hielo caiga, levante el brazo de cierre de alambre a la posición de Off (Apagado - hacia arriba) o mueva el interruptor a la posición de Off (Apagado).
3. Desconecte el refrigerador de la corriente eléctrica.
4. Limpie, pase un paño y seque bien.
5. Fije bloques de goma o de madera con cinta adhesiva a la parte superior de ambas puertas para que queden abiertas y el aire circule. Esto evita que se formen olores y que crezcan hongos.

## Mudanza

Si muda su refrigerador a una casa nueva, siga los pasos a continuación para prepararse para la mudanza.


1. Si su refrigerador tiene fábrica de hielo automática:
  - Cierre el suministro de agua a la fábrica de hielo por lo menos un día antes.
  - Desconecte la tubería de agua que está atrás del refrigerador.
  - Cuando el último lote de hielo caiga, levante el brazo de cierre de alambre a la posición de Off (Apagado - hacia arriba) o mueva el interruptor a la posición de Off (Apagado).
2. Saque toda la comida del refrigerador y empaque todos los alimentos congelados en hielo seco.
3. Vacíe el depósito de hielo.
4. Desenchufe el refrigerador.
5. Limpie, pase un paño y seque bien.
6. Saque todas las partes desmontables, envuélvalas bien y asegúrelas con cinta adhesiva para que no se muevan ni se sacudan durante la mudanza.
7. Según el modelo, levante la parte delantera del refrigerador para que ruede con facilidad o bien atornille las patas niveladoras para no rayar el piso. Vea "Ajuste las puertas" o "Remoción, nivelación y alineamiento de las puertas".
8. Sostenga las puertas cerradas y el cable a la parte posterior del refrigerador con cinta adhesiva.

Cuando llegue a la casa nueva, ponga todo en su lugar y lea las Instrucciones de instalación para obtener instrucciones de preparación. Además, si su refrigerador tiene fábrica de hielo automática, recuerde volver a conectar el suministro de agua al refrigerador.

# SOLUCIÓN DE PROBLEMAS

Pruebe primero las soluciones sugeridas aquí o visite nuestro sitio de internet para evitar posiblemente el costo de una visita de servicio técnico.

**⚠ ADVERTENCIA**



**Peligro de Choque Eléctrico**

**Conecte a un contacto de pared de conexión a tierra de 3 terminales.**

**No quite la terminal de conexión a tierra.**

**No use un adaptador.**

**No use un cable eléctrico de extensión.**

**No seguir estas instrucciones puede ocasionar la muerte, incendio o choque eléctrico.**

## FUNCIONAMIENTO EN GENERAL

### Causas posibles y/o soluciones recomendadas

#### El refrigerador no funciona

- **No está conectado al suministro eléctrico** - Enchufe el cable eléctrico en un contacto de 3 terminales con conexión a tierra. No use un cable eléctrico de extensión.
  - **No hay electricidad en el contacto eléctrico** - Enchufe una lámpara para ver si funciona el contacto.
  - **Hay un fusible de la casa fundido o se disparó el cortacircuitos** - Reemplace el fusible o reconecte el cortacircuitos. Si el problema continúa, contacte a un electricista autorizado.
  - **Nueva instalación** - Luego de la instalación, deje que transcurran 24 horas para que el refrigerador y el congelador se enfrien por completo.
- NOTA:** El ajustar el (los) control(es) de temperatura hacia la posición más fría no hará que el compartimento (ya sea el refrigerador o el congelador) enfrie más rápido.

#### El motor parece funcionar excesivamente

- **Su nuevo refrigerador tiene un motor con ahorro de energía** - Es posible que el refrigerador funcione por más tiempo de lo que usted está acostumbrado, ya que el compresor y los ventiladores funcionan a velocidades más bajas que ahorran más energía. Esto es normal.
- NOTA:** Es posible que el refrigerador funcione por más tiempo si la habitación está caliente, si se ha agregado una gran cantidad de alimentos, si se abren las puertas con frecuencia o si se ha dejado una puerta abierta.

#### El refrigerador parece ruidoso

- El compresor de su nuevo refrigerador regula la temperatura con más eficiencia y usa menos energía que los modelos anteriores. Durante varias etapas del funcionamiento, es posible que escuche sonidos de funcionamiento normal que no le son familiares.
- Los ruidos que se indican a continuación son normales:**
- **Zumbido/Chasquido** - Se escucha cuando la válvula de agua se abre y se cierra para despachar agua o llenar la fábrica de hielo. Si el refrigerador está conectado a una tubería de agua, esto es normal. Si el refrigerador no está conectado a una tubería de agua, apague la fábrica de hielo.
  - **Crujidos/Estrépitos** - Se escuchan cuando el hielo es expulsado del molde de la fábrica de hielo.
  - **Estallido** - Se escucha cuando las paredes interiores se contraen y se expanden, especialmente durante el enfriamiento inicial.
  - **Pulsaciones/Runruneos** - Se escuchan cuando los ventiladores/el compresor se ajustan para mejorar el rendimiento durante el funcionamiento normal.
  - **Vibraciones** - Se escuchan cuando el agua pasa a través de la línea de agua o debido al flujo de refrigerante. Las vibraciones también pueden ser ocasionadas por los artículos colocados sobre el refrigerador.
  - **Agua corriendo o gorgoteo** - Se escucha cuando el hielo se derrite durante el ciclo de descongelado y el agua corre hacia la bandeja recolectora.
  - **Chisporroteos** - Se escuchan cuando el agua gotea sobre el calentador durante el ciclo de descongelado.

**FUNCIONAMIENTO EN GENERAL****Causas posibles y/o soluciones recomendadas****La temperatura está demasiado elevada**

- **Nueva instalación** - Luego de la instalación, deje que transcurran 24 horas para que el refrigerador y el congelador se enfríen por completo.  
**NOTA:** El ajustar el (los) control(es) de temperatura hacia la posición más fría no hará que el compartimiento (ya sea el refrigerador o el congelador) enfríe más rápido.
- **Se abren las puertas a menudo o no se cierran por completo** - Esto hace que entre aire tibio al refrigerador. Reduzca al mínimo las veces que abre la puerta, mantenga las puertas cerradas por completo y cerciórese de que ambas puertas estén bien cerradas.
- **Están bloqueados los orificios de ventilación** - Quite los artículos que están justo frente a los orificios de ventilación.
- **Se ha agregado recientemente una gran cantidad de alimentos calientes** - Deje que transcurran varias horas para que el refrigerador vuelva a la temperatura normal.
- **No se han ajustado los controles correctamente de acuerdo con las condiciones circundantes** - Regule los controles un ajuste más frío. Fíjese nuevamente en la temperatura en 24 horas.

**La temperatura está demasiado baja**

- **No se han ajustado los controles correctamente de acuerdo con las condiciones circundantes** - Regule los controles un ajuste más frío. Fíjese nuevamente en la temperatura después de 24 horas.
- **El estante superior del refrigerador está más frío que los estantes inferiores** - En algunos modelos, el aire del congelador entra en el compartimiento del refrigerador a través de los orificios de ventilación que se encuentran cerca del estante superior del refrigerador. A consecuencia de esto, el estante superior puede estar ligeramente más frío que los estantes inferiores.
- **Están bloqueados los orificios de ventilación** - Quite los artículos que están justo frente a los orificios de ventilación.

**Hay acumulación de humedad en el interior**

- NOTA:** Cierta acumulación de humedad es normal. Seque con un paño suave.
- **Está húmeda la habitación** - Un ambiente húmedo contribuye a que se acumule la humedad. Use el refrigerador solamente en el interior del hogar, con el mínimo posible de humedad.
  - **Se abren las puertas a menudo o no se cierran por completo** - Esto hace que entre aire húmedo al refrigerador. Reduzca al mínimo las veces que abre la puerta, mantenga las puertas cerradas por completo y cerciórese de que ambas puertas estén bien cerradas.

**Las luces interiores no funcionan**

- **Las puertas han estado abiertas por un tiempo prolongado** - Cierre las puertas para volver a fijar las luces.
  - **Hay un foco flojo o quemado** - En los modelos con focos interiores incandescentes, apriete el foco o reemplácelo. Vea "Luces".
- NOTA:** En los modelos con luces LED, llame para solicitar ayuda o servicio técnico si las luces interiores no se encienden cuando se abre alguna puerta. Consulte la garantía en las Instrucciones para el usuario o el Manual del usuario para obtener la información de contacto.

**Las luces del despachador no funcionan (en algunos modelos)**

- **Se ha apagado la luz del despachador** - En algunos modelos, si la luz del despachador se ha fijado en Off (Apagado), se encenderá solamente cuando se presione la paleta/palanca del despachador. Si usted desea que la luz del despachador esté encendida continuamente, seleccione un ajuste diferente. Vea "Despachadores de agua y hielo" en las Instrucciones para el usuario o el Manual del usuario.
  - **Se ha fijado la luz del despachador en Auto (Automático) o Night Light (Luz nocturna)** - En algunos modelos, si la luz del despachador se ha fijado en Auto (Automático) o Night Light (Luz nocturna), cerciórese de que no esté bloqueado el sensor de luz. Vea "Despachadores de agua y hielo" en las Instrucciones para el usuario o el Manual del usuario.
- NOTA:** En los modelos con luces LED, llame para solicitar ayuda o servicio técnico si las luces del despachador no funcionan correctamente. Consulte la garantía en las Instrucciones para el usuario o el Manual del usuario para obtener la información de contacto.

## **ADVERTENCIA**



### **Peligro de Explosión**

**Use un limpiador no inflamable.**

**No seguir esta instrucción puede ocasionar la muerte, explosión o incendio.**

## **PUERTAS Y NIVELACIÓN**

### **Causas posibles y/o soluciones recomendadas**

<b>Es difícil abrir las puertas</b>	■ <b>Las juntas están sucias o pegajosas</b> - Limpie las juntas y las superficies de contacto con jabón suave y agua tibia. Enjuague y seque con un paño suave.
<b>Las puertas no cierran completamente</b>	■ <b>La puerta queda abierta debido a un bloqueo</b> - Aleje los paquetes de alimentos de la puerta. Cerciórese de que todos los recipientes y estantes estén en su posición correcta. Asegúrese de que se hayan quitado todos los materiales de empaque.
<b>Las puertas parecen estar desparejas</b>	■ <b>Las puertas necesitan ser alineadas o el refrigerador necesita ser nivelado</b> - Vea las instrucciones de nivelación y alineamiento de las puertas.
<b>El refrigerador se tambalea y no está estable</b>	■ <b>El refrigerador no está nivelado</b> - Para estabilizar el refrigerador, quite la rejilla de la base y baje las patas niveladoras hasta que toquen el piso. Vea las instrucciones de nivelación y alineamiento de las puertas.

## **ADVERTENCIA**



### **Peligro de Cortaduras**

**Use un vaso resistente para recibir hielo del despachador.**

**No seguir esta instrucción puede ocasionar cortaduras.**

## **HIELO Y AGUA**

### **Causas posibles y/o soluciones recomendadas**

<b>La fábrica de hielo no produce hielo, no produce suficiente hielo o produce un hielo pequeño o hueco</b>	■ <b>El refrigerador no está conectado a un suministro de agua o la válvula de cierre de suministro de agua no está abierta por completo</b> - Conecte el refrigerador a un suministro de agua y cerciórese de que la válvula de cierre de agua esté completamente abierta. ■ <b>Hay un estrechamiento en la tubería de suministro de agua</b> - Un estrechamiento en la tubería de agua puede reducir el flujo de agua ocasionando una disminución de la producción de hielo, cubos de hielo pequeños y/o huecos o de forma irregular. Enderece la tubería de agua. ■ <b>No se ha encendido la fábrica de hielo</b> - Encienda la fábrica de hielo. Vea "Fábrica de hielo y depósito" en las Instrucciones para el usuario o el Manual del usuario. ■ <b>Nueva instalación</b> - Después de conectar el refrigerador a un suministro de agua, enjuague el sistema de agua. (Vea "Despachadores de agua y hielo".) Deje transcurrir 24 horas para que la fábrica de hielo comience a producir hielo. Deje transcurrir 72 horas para la producción total de hielo. Deseche de los tres primeros lotes de hielo producidos. ■ <b>Se acaba de sacar una gran cantidad de hielo</b> - Deje transcurrir suficiente tiempo para que la fábrica de hielo produzca más hielo. ■ <b>Se trabó el hielo en el brazo eyector de la fábrica de hielo</b> - Saque el hielo del brazo eyector con un utensilio de plástico. ■ <b>Presión inadecuada de agua</b> - Verifique que la casa tenga una presión de agua adecuada. Vea "Requisitos del suministro de agua".
---	---

HIELO Y AGUA	Causas posibles y/o soluciones recomendadas
<p><b>La fábrica de hielo no produce hielo, no produce suficiente hielo o produce un hielo pequeño o hueco (cont.)</b></p>	<ul style="list-style-type: none"> <li>■ <b>Filtro de agua instalado de modo incorrecto</b> - Cerciórese de que el filtro esté instalado correctamente. Vea “Sistema de filtración de agua” en las Instrucciones para el usuario o el Manual del usuario.</li> <li>■ <b>Se ha conectado un sistema de filtración de agua de ósmosis inversa al suministro de agua fría</b> - Esto puede hacer que disminuya la presión de agua. Vea “Requisitos del suministro de agua”.</li> </ul> <p><b>NOTA:</b> Si aún tiene preguntas acerca de la presión de agua, llame a un plomero competente autorizado.</p>
<p><b>El despachador de hielo no funciona debidamente</b></p>	<ul style="list-style-type: none"> <li>■ <b>Las puertas no se cierran por completo</b> - Cerciórese de que ambas puertas estén firmementecerradas. (En algunos modelos, deberá cerrarse solamente la puerta del congelador para poner enmarcha el despachador.)</li> <li>■ <b>Nueva instalación</b> - Después de conectar el refrigerador a un suministro de agua, enjuague el sistema de agua. (Vea “Despachadores de agua y hielo” en las Instrucciones para el usuario o el Manual del usuario.) Deje transcurrir 24 horas para que la fábrica de hielo comience a producir hielo. Deje transcurrir 72 horas para la producción total de hielo. Deshágase de los tres primeros lotes de hielo producidos.</li> <li>■ <b>No está encendida la fábrica de hielo o no se ha instalado correctamente el depósito de hielo</b> - Encienda la fábrica de hielo y cerciórese de que el depósito de hielo esté firme en su lugar. Vea “Fábrica de hielo y depósito” en las Instrucciones para el usuario o el Manual del usuario.</li> <li>■ <b>El hielo se ha atascado o congelado en el depósito de hielo o el mismo está bloqueando el conducto de salida de hielo</b> - Saque o separe el hielo que está atascado utilizando un utensilio de plástico si es necesario. Limpie el conducto de salida de hielo y la base del depósito de hielo con un paño humedecido con agua tibia, luego seque ambos meticulosamente. Para evitar que se atasquen y mantener un suministro fresco de hielo, vacíe el depósito y limpie el depósito y el conducto de salida cada 2 semanas.</li> <li>■ <b>Se ha agregado hielo incorrecto en el depósito</b> - Use únicamente el hielo producido por su fábrica de hielo actual.</li> <li>■ <b>El despachador está bloqueado</b> - Desbloquee el despachador. Vea “Despachadores de agua y hielo” en las Instrucciones para el usuario o el Manual del usuario.</li> <li>■ <b>El despachador de hielo se atasca mientras vierte el hielo picado</b> - Para los modelos con depósito de hielo en la puerta, cambie temporalmente de hielo triturado a hielo en cubos para despejar el depósito de hielo.</li> <li>■ <b>Se ha presionado la paleta/palanca del despachador por demasiado tiempo</b> - El hielo dejará de despacharse automáticamente. Espere unos minutos para que el despachador se restablezca y vuelva a usarlo. Saque grandes cantidades de hielo directamente del depósito de hielo y no a través del despachador.</li> <li>■ <b>La presión de agua a la casa no es de o supera 30 lb/pulg<sup>2</sup> (207 kPa)</b> - La presión de agua a la casa afectará el flujo del despachador. Vea “Requisitos del suministro de agua”.</li> <li>■ <b>El filtro de agua está obstruido o instalado incorrectamente</b> - Reemplace el filtro o vuelva a instalarlo correctamente. Vea “Sistema de filtración de agua” en las Instrucciones para el usuario o el Manual del usuario.</li> </ul>
<p><b>El hielo o agua tiene mal sabor, mal olor o un color grisáceo</b></p>	<ul style="list-style-type: none"> <li>■ <b>Las conexiones de plomería son nuevas</b> - Las conexiones nuevas de plomería pueden producir hielo o agua descolorido o de mal sabor. Este problema desaparecerá con el correr del tiempo.</li> <li>■ <b>Se ha guardado el hielo por demasiado tiempo</b> - Deseche el hielo y lave el depósito de hielo. Deje transcurrir 24 horas para que la fábrica de hielo produzca hielo nuevo.</li> <li>■ <b>El olor de los alimentos se ha transferido al hielo</b> - Use recipientes herméticos contra humedad para almacenar alimentos.</li> <li>■ <b>Uso de una tubería de suministro de agua no recomendada</b> - Es posible que se transfiera el olor y sabor de ciertos materiales usados en tuberías de suministro de agua no recomendadas. Use solo una tubería recomendada de suministro de agua. Vea “Requisitos del suministro de agua”.</li> <li>■ <b>El agua contiene minerales (como azufre)</b> - Podría ser necesario instalar un filtro de agua para eliminar los minerales.</li> <li>■ <b>Se ha instalado o reemplazado recientemente el filtro de agua</b> - Un descoloramiento o un color gris del hielo o agua indican que el sistema de filtración de agua necesita enjuagarse más. Vea “Despachadores de agua y hielo” en las Instrucciones para el usuario o el Manual del usuario.</li> </ul>

HIELO Y AGUA	Causas posibles y/o soluciones recomendadas
<p><b>El despachador de agua no funciona debidamente</b></p>	<ul style="list-style-type: none"> <li>■ <b>Las puertas no se cierran por completo</b> - Cerciórese de que ambas puertas estén firmemente cerradas. (En algunos modelos, deberá cerrarse solamente la puerta del congelador para poner en marcha el despachador.)</li> <li>■ <b>El refrigerador no está conectado a un suministro de agua o la válvula de cierre de suministro de agua no está abierta</b> - Conecte el refrigerador a un suministro de agua y cerciórese de que la válvula de cierre de agua esté completamente abierta.</li> <li>■ <b>Hay un estrechamiento en la tubería de suministro de agua</b> - Un estrechamiento en la tubería puede reducir el flujo de agua al despachador. Enderece la tubería de agua.</li> <li>■ <b>La presión de agua a la casa no es de o supera 30 lb/pulg<sup>2</sup> (207 kPa)</b> - La presión de agua a la casa afectará el flujo del despachador. Vea "Requisitos del suministro de agua".</li> <li>■ <b>Nueva instalación</b> - Después de haber conectado el refrigerador a un suministro de agua, enjuague el sistema de agua. Vea "Despachadores de agua y hielo".</li> <li>■ <b>El despachador está bloqueado</b> - Desbloquee el despachador. Vea "Despachadores de agua y hielo" en las Instrucciones para el usuario o el Manual del usuario.</li> <li>■ <b>El filtro de agua está obstruido o instalado incorrectamente</b> - Reemplace el filtro o vuelva a instalarlo correctamente. Vea "Sistema de filtración de agua" en las Instrucciones para el usuario o el Manual del usuario.</li> <li>■ <b>Se ha conectado un sistema de filtración de agua de ósmosis inversa al suministro de agua fría</b> - Esto puede hacer que disminuya la presión de agua. Vea "Requisitos del suministro de agua".</li> </ul> <p><b>NOTA:</b> Si aún tiene preguntas acerca de la presión de agua, llame a un plomero competente autorizado.</p>
<p><b>Hay fugas de agua o goteos en el despachador</b></p>	<p><b>NOTA:</b> Es normal que haya algunas gotas de agua después de despachar agua.</p> <ul style="list-style-type: none"> <li>■ <b>No se ha puesto el vaso debajo del despachador el tiempo suficiente</b> - Sostenga el vaso debajo del despachador durante 2 a 3 segundos después de soltar la paleta/palanca del despachador.</li> <li>■ <b>La instalación es nueva o se ha instalado o reemplazado recientemente el filtro de agua</b> - El aire en las líneas de agua hará que gotee agua del despachador. Enjuague el sistema de agua para quitar el aire que se encuentra en las líneas de agua. Vea "Despachadores de agua y hielo" en las Instrucciones para el usuario o el Manual del usuario.</li> <li>■ <b>Se están derritiendo los restos de hielo en el conducto del depósito</b> - Cerciórese de que el conducto de hielo esté libre de escarcha o pedazos de hielo.</li> </ul>
<p><b>Hay fugas de agua de la parte trasera del refrigerador</b></p>	<ul style="list-style-type: none"> <li>■ <b>Las conexiones de la línea de agua no están ajustadas por completo</b> - Cerciórese de que todas las conexiones estén firmemente ajustadas. Vea "Conexión del suministro de agua".</li> </ul>
<p><b>El agua del despachador no está lo suficientemente fría (en algunos modelos)</b></p>	<p><b>NOTA:</b> El agua del despachador se enfría a 50°F (10°C).</p> <ul style="list-style-type: none"> <li>■ <b>Nueva instalación</b> - Deje transcurrir 24 horas después de la instalación para que el suministro de agua se enfríe completamente.</li> <li>■ <b>Se ha despachado una gran cantidad de agua recientemente</b> - Deje transcurrir 24 horas para que el nuevo suministro de agua se enfríe por completo.</li> <li>■ <b>No se ha usado el despachador de agua recientemente</b> - Puede ser que el primer vaso de agua no esté frío. Deseche el agua del primer vaso.</li> <li>■ <b>El refrigerador no está conectado a una tubería de agua fría</b> - Asegúrese de que el refrigerador esté conectado a una tubería de agua fría. Vea "Requisitos del suministro de agua".</li> </ul>
<p><b>La interfaz del usuario no responde</b></p>	<ul style="list-style-type: none"> <li>■ <b>Se presiona la interfaz del usuario demasiado rápido</b> - Espere 10 segundos antes de presionar cualquier tecla.</li> <li>■ <b>La interfaz del usuario está en modo bloqueado</b> - Mantenga presionado LOCK (Bloquear) durante 3 segundos para salir del modo bloqueado.</li> </ul>

## ACCESORIOS

### Repuestos:

Para pedir el limpiador para acero inoxidable o filtros de repuesto, llame al 1-800-4-MY-HOME® y pida el número de pieza apropiado que se enlista a continuación o póngase en contacto con su distribuidor autorizado de Kenmore.

### Limpiador para acero inoxidable:

Pida la pieza n.º D22 M40083 R

### Filtro de agua:

Pida la pieza n.º 9081

# HOJA DE DATOS DE RENDIMIENTO

## Sistema interno de filtración de agua Modelo P8WB2L/P8RFWB2L Capacidad 200 galones (757 litros)



Sistema probado y certificado por NSF International según la norma NSF/ANSI 42, la norma NSF/ANSI 53 y la norma NSF/ANSI 401 para la reducción de las sustancias citadas a continuación.

Este sistema ha sido comprobado según las normas NSF/ANSI 42, 53 y 401 para la reducción de las sustancias citadas a continuación. La concentración de las sustancias indicadas en el agua que entra al sistema fue reducida a una concentración menor o igual al límite permitido para agua que sale del sistema, tal como se especifica en las normas NSF/ANSI 42, 53 y 401.

Reducción de sustancias Efectos estéticos	Concentración en el agua a tratar	Concentración de nivel máximo permisible de agua en el producto	% promedio de reducción
Sabor y olor a cloro	2.0 mg/L ± 10%	50% reducción	97,0%
Clase de partículas I*	Por lo menos 10.000 partículas/mL	85% reducción	>99,9%
Reducción de contaminantes	Concentración en el agua a tratar	Concentración de nivel máximo permisible de agua en el producto	% promedio de reducción
Plomo: a pH 6,5/a pH 8,5/	0,15 mg/L ± 10%	0,010 mg/L	>99,3% / 98,6%
Benceno	0,015 mg/L ± 10%	0,005 mg/L	93,8%
p-diclorobenceno	0,225 mg/L ± 10%	0,075 mg/L	99,8%
Carbofurano	0,08 mg/L ± 10%	0,040 mg/L	81,9%
Toxafén	0,015 ± 10%	0,003 mg/L	>95%
Atrazina	0,009 mg/L ± 10%	0,003 mg/L	87,0%
Asbestos	10 <sup>7</sup> to 10 <sup>8</sup> fibers/L <sup>††</sup>	99%	>99%
Quistes vivos <sup>‡</sup>	50.000/L min.	99,95%	>99,99%
Turbiedad	11 NTU ± 10%	0,5 NTU	96,9%
Lindane	0,002 ± 10%	0,0002 mg/L	>99,2%
Tetracloroetileno	0,015 mg/L ± 10%	0,005 mg/L	96,6%
O-diclorobenceno	1,8 mg/L ± 10%	0,60 mg/L	92,3%
Etilbenceno	2,1 mg/L ± 10%	0,70 mg/L	86,9%
1,2,4-Triclorobenceno	0,210 mg/L ± 10%	0,07 mg/L	>99,8%
2,4 - D	0,210 mg/L ± 10%	0,07 mg/L	88,5%
Estireno	2,0 mg/L ± 10%	0,1 mg/L	99,6%
Tolueno	3,0 mg/L ± 10%	1,0 mg/L	93,5%
Endrina	0,006 mg/L ± 10%	0,002 mg/L	81,7%
Atenolol	200 ± 20%	30 ng/L	95,7%
Trimetoprima	140 ± 20%	20 ng/L	96,1%
Linurón	140 ± 20%	20 ng/L	96,3%
Estrona	140 ± 20%	20 ng/L	95,3%
Nonilfenol	1400 ± 20%	200 ng/L	95,5%

Parámetros de la prueba: pH = 7,5 ± 0,5 si no se indica lo contrario. Flujo = 0,75 gpm (2,84 Lpm). Presión = 60 lbs/pulg<sup>2</sup> (413,7 kPa). Temp. = 68°F a 71,6°F (20°C a 22°C). Capacidad nominal de servicio = 200 galones (757 litros).

Los compuestos certificados bajo NSF 401 se consideran como "compuestos emergentes/contaminantes incidentales". Los compuestos emergentes/contaminantes incidentales son aquellos compuestos que se detectaron en suministros de agua potable en niveles detectables. Mientras se dan solamente a niveles detectables, estos compuestos pueden afectar la aceptación/percepción pública de la calidad de agua potable.

- Es esencial que los requerimientos de operación, mantenimiento y reemplazo del filtro se lleven a cabo para que el producto se desempeñe tal como se ofrece en la publicidad. Si no se siguen todas las instrucciones pueden ocurrir daños a la propiedad.
- El cartucho desechable deberá cambiarse al menos cada 6 meses.
- Use el filtro de reemplazo P8RFWB2L, pieza #EDR1RXD1/EDR1RXD1B. El precio sugerido de venta al por menor durante el año 2015 es de \$49,99 en EE.UU./\$49,99 en Canadá. Los precios están sujetos a cambio sin previo aviso.
- El sistema monitor del filtro mide la cantidad de agua que pasa a través del filtro y le advierte cuándo es momento de cambiarlo. Vea la sección "Uso de controles" o Sistema de filtración de agua" (en las Instrucciones de uso o la Guía del usuario) para aprender a revisar el estado del filtro del agua.
- Después de cambiar el filtro de agua, enjuague el sistema de agua. Vea "Despachadores de agua y hielo" y "despachadores de agua" en la Guía del usuario y en las Instrucciones de uso.
- Estos contaminantes no se encuentran necesariamente en su suministro de agua. Si bien se realizaron las pruebas en condiciones de laboratorio estándares, el desempeño actual puede variar.

\*Tamaño de las partículas clase I: >0,5 a <1 um

†Basado en la filtración de quistes de *Cryptosporidium parvum*.

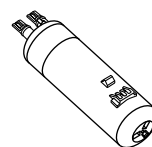
††Fibras mayores de 10 um de longitud.

© NSF es una marca registrada de NSF International.

- El producto es para uso con agua fría únicamente.
- El sistema de agua deberá instalarse conforme a las leyes y normas estatales y locales.
- No use con agua que no sea microbiológicamente segura o que sea de calidad desconocida sin desinfectarla adecuadamente antes o después del sistema. Pueden usarse sistemas certificados para la reducción de quistes en aguas desinfectadas que puedan contener quistes filtrables. EPA Est. N° 082047-TWN-001
- Consulte la sección "Garantía" (en las Instrucciones de uso o Guía del usuario) para conocer la garantía limitada del fabricante, junto con su nombre y número de teléfono.

### Pautas de aplicación/Parámetros para el suministro de agua

Suministro de agua	Municipal o de pozo
Presión de agua	30 - 120 lbs/pulg <sup>2</sup> (207 - 827 kPa)
Temperatura de agua	33° - 100°F (1° - 38°C)
Tasa de flujo de servicio	0,75 gpm (2,84 L/min.) a 60 lbs/pulg <sup>2</sup>



# TABLE DES MATIÈRES

<b>GARANTIE</b> .....	<b>54</b>	Tiroir pour spécialités alimentaires .....	<b>70</b>
<b>SÉCURITÉ DU RÉFRIGÉRATEUR</b> .....	<b>55</b>	Tiroir à légumes/viande convertible, bac à légumes et couvercles.....	<b>70</b>
Mise au rebut appropriée de votre vieux réfrigérateur.....	56	Réglage de l'humidité dans le bac à légumes.....	70
<b>INSTRUCTIONS D'INSTALLATION</b> .....	<b>56</b>	<b>CARACTÉRISTIQUES DU CONGÉLATEUR</b> .....	<b>70</b>
Déballage du réfrigérateur.....	56	Tablette de congélateur .....	71
Retrait, réglage de l'aplomb et alignement des portes.....	57	Bac de congélation .....	71
Installation et démontage des poignées.....	59	<b>CARACTÉRISTIQUES DE LA PORTE</b> .....	<b>71</b>
Exigences d'emplacement.....	60	Balconnets de porte .....	71
Spécifications électriques.....	61	Tringles ou balconnets de porte .....	71
Spécifications de l'alimentation en eau.....	61	<b>ENTRETIEN DU RÉFRIGÉRATEUR</b> .....	<b>72</b>
Raccordement de la canalisation d'eau .....	61	Nettoyage.....	72
Préparation du système d'eau.....	64	Lampes .....	73
<b>UTILISATION DU RÉFRIGÉRATEUR</b> .....	<b>64</b>	Pannes de courant .....	73
Pour s'assurer d'une circulation d'air appropriée .....	64	Entretien avant les vacances ou lors d'un déménagement ...	73
Utilisation des commandes .....	64	<b>DÉPANNAGE</b> .....	<b>74</b>
Distributeurs d'eau et de glaçons .....	65	<b>ACCESSOIRES</b> .....	<b>78</b>
Système de filtration de l'eau.....	67	<b>FEUILLE DE DONNÉES SUR LA PERFORMANCE</b> .....	<b>79</b>
Machine à glaçons et bac d'entreposage.....	68	<b>NUMÉROS DE SERVICE</b> .....	<b>COUVERTURE ARRIÈRE</b>
<b>CARACTÉRISTIQUES DU RÉFRIGÉRATEUR</b> .....	<b>69</b>		
Tablettes du réfrigérateur.....	69		

# GARANTIE DES APPAREILS MÉNAGERS

## GARANTIE LIMITÉE KENMORE

PENDANT UN AN à compter de la date d'achat, cet appareil est garanti contre tout vice de matériau ou de fabrication dans le cas d'une installation, d'une utilisation et d'un entretien conformément à toutes les instructions fournies.

SUR PREUVE DE VENTE, un appareil défectueux sera réparé ou remplacé gratuitement à la discrétion du vendeur.

Pour connaître les détails sur la couverture de la garantie afin d'obtenir une réparation ou un remplacement gratuit(e), visiter : [www.kenmore.com/warranty](http://www.kenmore.com/warranty).

La présente garantie ne s'applique que pendant 90 JOURS à compter de la date d'achat aux États-Unis et est nulle au Canada si cet appareil ménager est utilisé à d'autres fins que pour un usage privé et domestique

**Cette garantie couvre UNIQUEMENT les vices de matériaux et de fabrication, et ne couvre PAS :**

1. Les pièces courantes pouvant s'user suite à une utilisation normale, notamment les filtres, courroies, sacs et les ampoules d'éclairage à culot à vis.
2. L'intervention d'un technicien chargé de nettoyer ou d'entretenir l'appareil ou de montrer à l'utilisateur comment installer, utiliser et entretenir correctement le produit.
3. Les interventions de dépannage pour rectifier l'installation de l'appareil non réalisée par des agents d'entretien autorisés de Sears, ou pour intervenir sur des problèmes concernant les fusibles du domicile, les disjoncteurs, le câblage du domicile et les systèmes de plomberie ou d'alimentation de gaz résultant de l'installation.
4. L'endommagement ou l'état défectueux de cet appareil imputable à l'installation non réalisée par des agents d'entretien autorisés de Sears, y compris une installation non conforme aux codes d'électricité, de gaz et de plomberie.
5. L'endommagement ou l'état défectueux de cet appareil, notamment une décoloration ou l'apparition de rouille sur la surface, dans le cas où l'utilisation ou l'entretien ne sont pas conformes à toutes les instructions fournies.
6. L'endommagement ou l'état défectueux de cet appareil, notamment une décoloration ou l'apparition de rouille sur la surface, résultant d'un accident, d'une modification, d'un usage impropre ou abusif ou d'une utilisation autre que celle à laquelle il est destiné.
7. L'endommagement ou l'état défectueux de cet appareil, notamment une décoloration ou l'apparition de rouille sur la surface, causé par l'utilisation de détergents, nettoyeurs, produits chimiques ou ustensiles autres que ceux recommandés dans toutes les instructions fournies avec le produit.
8. L'endommagement ou l'état défectueux de pièces ou systèmes résultant d'une modification non autorisée faite à cet appareil.

9. L'intervention sur l'appareil si la plaque signalétique indiquant le numéro de modèle et de série est manquante, a subi une modification, ou s'il est difficile de déterminer si l'appareil porte le logo de certification approprié.

## Clause d'exonération de responsabilité au titre des garanties implicites; limitation des recours

Le seul et exclusif recours du client dans le cadre de la présente garantie est limité à la réparation et au remplacement prévus dans la présente. Les garanties implicites, y compris les garanties applicables de qualité marchande ou d'aptitude à un usage particulier, sont limitées à un an ou à la plus courte période autorisée par la loi. Le vendeur n'assume aucune responsabilité pour les dommages fortuits ou indirects. Certains États ou certaines provinces ne permettent pas l'exclusion ou la limitation des dommages fortuits ou indirects, ou la limitation de la durée des garanties implicites de qualité marchande ou d'aptitude à un usage particulier, de sorte que ces exclusions ou limitations peuvent ne pas être applicables dans votre cas.

Cette garantie s'applique seulement lorsque cet appareil est utilisé aux États-Unis ou au Canada\*.

Cette garantie vous confère des droits juridiques spécifiques et vous pouvez également jouir d'autres droits qui peuvent varier d'un État à l'autre.

\*Le service de réparation à domicile n'est pas disponible dans toutes les zones géographiques du Canada; cette garantie ne couvrira pas non plus les frais de déplacement et de transport de l'utilisateur ou du dépanneur si ce produit se trouve dans une région éloignée (telle que définie par Sears Canada Inc.) où aucun dépanneur autorisé n'est disponible.

**Sears Brands Management Corporation**

**Hoffman Estates, IL 60179**

**Sears Canada Inc.**

**Toronto, Ontario, Canada M5B 2C3**

## ENREGISTREMENT DU PRODUIT

Inscrivez les numéros de modèle et de série complets et la date d'achat. Vous trouverez ces renseignements sur l'étiquette des numéros de modèle et de série située sur le produit.

Gardez ces renseignements à disposition pour obtenir plus rapidement assistance ou service lorsque vous communiquez avec Sears au sujet de votre appareil ménager.

Numéro de modèle \_\_\_\_\_.

Numéro de série \_\_\_\_\_

Date d'achat \_\_\_\_\_

**Conservez ces instructions et votre reçu de vente pour référence ultérieure.**

# SÉCURITÉ DU RÉFRIGÉRATEUR

## Votre sécurité et celle des autres est très importante.

Nous donnons de nombreux messages de sécurité importants dans ce manuel et sur votre appareil ménager. Assurez-vous de toujours lire tous les messages de sécurité et de vous y conformer.



Voici le symbole d'alerte de sécurité.

Ce symbole d'alerte de sécurité vous signale les dangers potentiels de décès et de blessures graves à vous et à d'autres.

Tous les messages de sécurité suivront le symbole d'alerte de sécurité et le mot "DANGER" ou "AVERTISSEMENT". Ces mots signifient :

**! DANGER**

**Risque possible de décès ou de blessure grave si vous ne suivez pas immédiatement les instructions.**

**! AVERTISSEMENT**

**Risque possible de décès ou de blessure grave si vous ne suivez pas les instructions.**

Tous les messages de sécurité vous diront quel est le danger potentiel et vous disent comment réduire le risque de blessure et ce qui peut se produire en cas de non-respect des instructions.

## IMPORTANTES INSTRUCTIONS DE SÉCURITÉ

**AVERTISSEMENT :** Pour réduire les risques d'incendie, de choc électrique ou des blessures lors de l'utilisation du réfrigérateur, prendre quelques précautions fondamentales, y compris les suivantes :

- Brancher l'appareil sur une prise à 3 alvéoles reliée à la terre.
- Ne pas enlever la broche de liaison à la terre.
- Ne pas utiliser un adaptateur.
- Ne pas utiliser un câble de rallonge.
- Débrancher la source de courant électrique avant l'entretien.
- Replacer pièces et panneaux avant de faire la remise en marche.
- Enlever les portes de votre vieux réfrigérateur.
- Raccorder à la canalisation d'arrivée d'eau potable uniquement.
- Utiliser un produit de nettoyage ininflammable.
- Garder les matériaux et les vapeurs inflammables, telle que l'essence, loin du réfrigérateur.
- Utiliser deux ou plus de personnes pour déplacer et installer le réfrigérateur.
- Débrancher le réfrigérateur avant l'installation de la machine à glaçons (seulement pour modèles prêts à recevoir une machine à glaçons).
- Utiliser un verre robuste pour prendre des glaçons (sur certains modèles).
- Ne pas heurter les portes en verre du réfrigérateur (sur certains modèles).
- Cet appareil ne convient pas à une utilisation par des personnes (y compris des enfants) à capacités physiques, sensorielles ou mentales réduites, ou possédant un manque d'expérience et de connaissances, à moins qu'elles ne soient placées sous supervision ou qu'elles aient reçu des instructions concernant l'utilisation de l'appareil par une personne responsable de leur sécurité.
- Les enfants doivent être placés sous surveillance afin de s'assurer qu'ils ne jouent pas avec l'appareil.

## CONSERVEZ CES INSTRUCTIONS

Avertissements de la proposition 65 de l'État de Californie :

**AVERTISSEMENT :** Ce produit contient au moins un produit chimique connu par l'État de Californie pour être à l'origine de cancers.

**AVERTISSEMENT :** Ce produit contient au moins un produit chimique connu par l'État de Californie pour être à l'origine de malformations et autres déficiences de naissance.

## Mise au rebut appropriée de votre vieux réfrigérateur

### **⚠ AVERTISSEMENT**

#### Risque de suffoquer

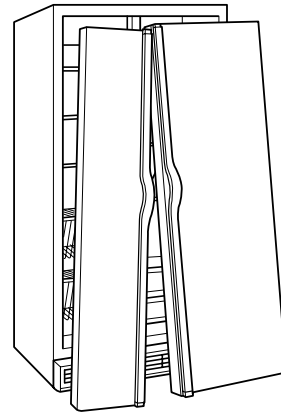
Enlever les portes de votre vieux réfrigérateur.

Le non-respect de cette instruction peut causer un décès ou des lésions cérébrales.

**IMPORTANT :** L'emprisonnement et l'étouffement des enfants ne sont pas un problème du passé. Les réfrigérateurs jetés ou abandonnés sont encore dangereux, même s'ils sont laissés abandonnés pendant "quelques jours seulement". Si vous vous débarrassez de votre vieux réfrigérateur, veuillez suivre les instructions suivantes pour aider à éviter les accidents.

#### Avant de jeter votre vieux réfrigérateur ou congélateur :

- Enlever les portes.
- Laisser les tablettes en place de sorte que les enfants ne puissent pas y pénétrer facilement.



#### Renseignements importants à propos de la mise au rebut des fluides réfrigérants :

Mettre le réfrigérateur au rebut conformément à la réglementation fédérale et locale. Les fluides réfrigérants doivent être évacués par un technicien certifié et agréé par l'EPA conformément aux procédures établies.

## INSTRUCTIONS D'INSTALLATION

### Déballage du réfrigérateur

### **⚠ AVERTISSEMENT**

#### Risque du poids excessif

Utiliser deux personnes ou plus pour déplacer et installer les panneaux.

Le non-respect de cette instruction peut causer une blessure au dos ou d'autre blessure.

#### Déplacement de votre réfrigérateur :

Votre réfrigérateur est lourd. Lors du déplacement de votre réfrigérateur pour le nettoyage ou un entretien ou réparation, veiller à recouvrir le plancher avec du carton ou un panneau de fibres dures pour éviter qu'il ne subisse tout dommage. Toujours tirer le réfrigérateur tout droit lors de son déplacement. Ne pas incliner le réfrigérateur d'un côté ou de l'autre ni le "faire marcher" en essayant de le déplacer car le plancher pourrait être endommagé.

### Enlèvement des matériaux d'emballage

- Enlever tout résidu de ruban adhésif et de colle des surfaces du réfrigérateur avant de le mettre en marche. Frotter une petite quantité de savon liquide à vaisselle sur l'adhésif avec les doigts. Rincer à l'eau tiède et sécher.
- Ne pas utiliser d'instruments coupants, d'alcool à friction, de liquides inflammables ou de nettoyants abrasifs pour enlever le ruban adhésif ou la colle. Ces produits peuvent endommager la surface du réfrigérateur. Pour plus de renseignements, voir "Sécurité du réfrigérateur".

### Nettoyage avant utilisation

- Après avoir enlevé tous les matériaux d'emballage, nettoyer l'intérieur du réfrigérateur avant de l'utiliser. Voir les instructions de nettoyage dans "Entretien du réfrigérateur".

#### Importants renseignements à savoir au sujet des tablettes et des couvercles en verre :

Ne pas nettoyer les tablettes ou couvercles en verre avec de l'eau tiède quand ils sont froids. Les tablettes et les couvercles peuvent se briser s'ils sont exposés à des changements soudains de température ou à un impact tel que coup brusque. Le verre trempé est conçu pour éclater en d'innombrables pièces minuscules. Ceci est normal. Les tablettes et les couvercles en verre sont lourds. Les saisir à deux mains lors de leur dépose afin d'éviter de les faire tomber.

## Retrait, réglage de l'aplomb et alignement des portes

Rassembler les outils et pièces nécessaires et lire toutes les instructions avant de commencer l'installation. Conserver ces instructions pour référence ultérieure.

**REMARQUE :** En cas de déménagement, prendre les mesures de l'entrée de l'habitation, avant de déplacer l'appareil, afin de déterminer s'il est nécessaire de démonter la porte du réfrigérateur et celle du congélateur. Si les portes doivent être retirées, voir les instructions ci-dessous.

**IMPORTANT :** Avant de commencer, débrancher le réfrigérateur ou déconnecter la source de courant électrique. Retirer les aliments, le bac d'entreposage des glaçons (sur certains modèles) et tout balconnet réglable ou compartiment utilitaire des portes.

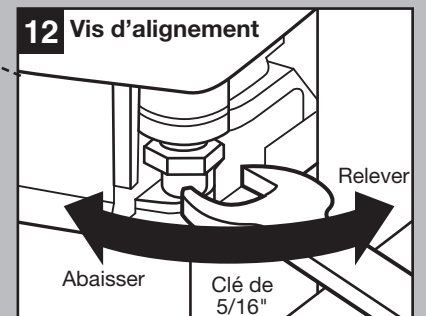
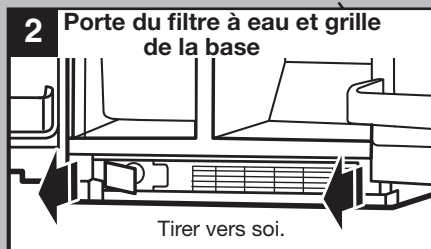
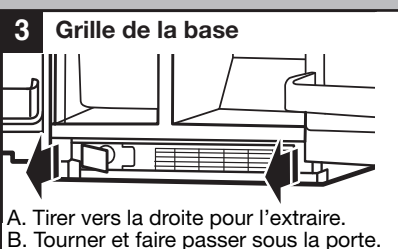
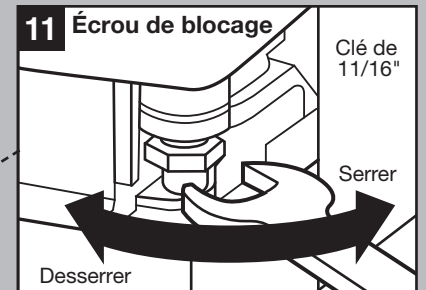
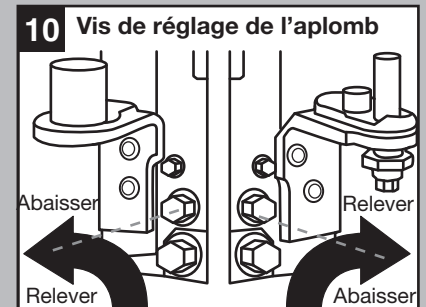
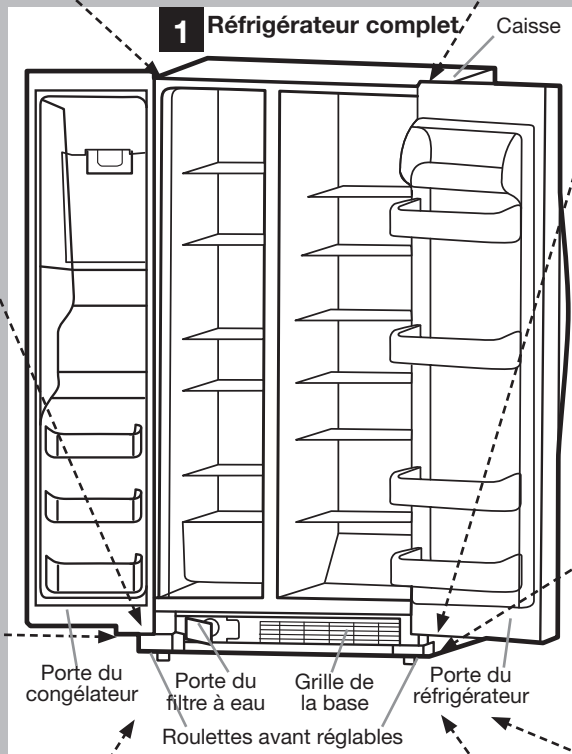
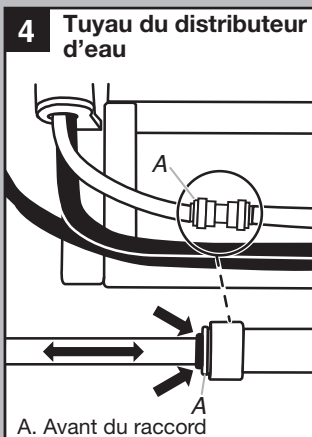
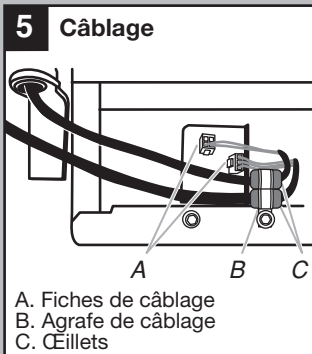
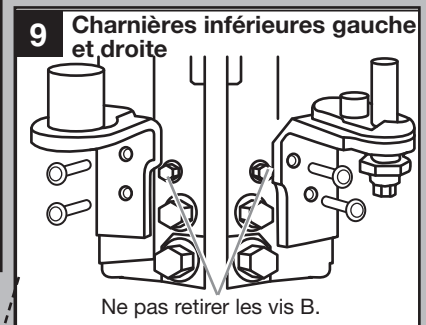
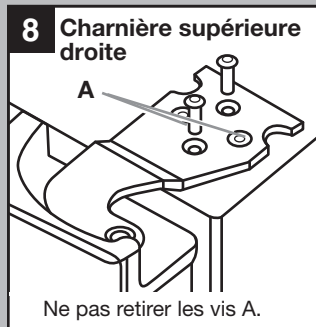
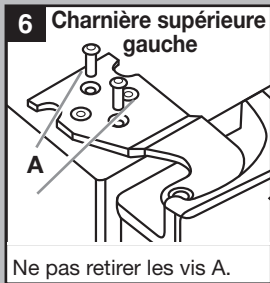
**OUTILS NÉCESSAIRES :** Niveau à bulle; tournevis à lame plate; clé de 5/16" et 11/16"; clés à douille à tête hexagonale de 1/4", 3/8" et 5/16", tournevis TORX® T30®.

### ⚠ AVERTISSEMENT

Risque de choc électrique

Déconnecter la source de courant électrique avant d'enlever les portes.

Le non-respect de cette instruction peut causer un décès ou un choc électrique.



## Retrait des portes

Si le réfrigérateur ne passe pas à travers la porte d'entrée ou si l'on souhaite se débarrasser d'un vieux réfrigérateur, procéder comme suit pour retirer les portes.

### **AVERTISSEMENT**



#### Risque de choc électrique

**Déconnecter la source de courant électrique avant d'enlever les portes.**

**Le non-respect de cette instruction peut causer un décès ou un choc électrique.**

1. Débrancher le réfrigérateur ou déconnecter la source de courant électrique.
2. Ouvrir complètement les deux portes. Voir l'illustration 1.
3. Si ce modèle d'appareil comporte un distributeur d'eau, ouvrir la porte du filtre à eau en la tirant vers soi. Voir l'illustration 2. Il n'est pas nécessaire de retirer le filtre à eau lui-même.
4. Tirer la grille de la base vers soi par les côtés, puis par le centre pour la dégager. Voir l'illustration 2.
5. Pour retirer la grille de la base, faire pivoter le côté droit et le tirer jusqu'à ce que ce côté passe sous la porte du réfrigérateur. Voir l'illustration 3. Puis tirer le côté gauche de la grille de la base pour la retirer complètement.
6. Si ce modèle d'appareil comporte un distributeur d'eau dans la porte, débrancher le tuyau du distributeur d'eau situé sous la porte du congélateur.
  - Appuyer l'anneau externe bleu contre la partie avant du raccord et tirer pour libérer le tuyau du distributeur. Voir l'illustration 4.

**REMARQUE :** Maintenir le connecteur du tuyau d'eau fixé au tuyau qui passe sous le congélateur. La porte ne peut être enlevée si le connecteur est toujours fixé au tuyau qui passe par la charnière de porte.

7. Si ce modèle d'appareil comporte un distributeur d'eau dans la porte, débrancher le câble situé sous la porte du congélateur. Voir l'illustration 5.
  - Ôter l'agrafe de câblage et le support attache-fil avec une clé à douille à tête hexagonale de 1/4".
  - Débrancher les fiches de câblage du support attache-fil.

8. Fermer la porte du congélateur et utiliser un tournevis TORX® T30® pour retirer complètement la charnière supérieure. Voir l'illustration 6.

**IMPORTANT :** Ne pas retirer les vis A. Tenir la porte pendant le retrait de la charnière.

9. Soulever verticalement la porte du congélateur pour l'enlever de la charnière inférieure. Voir l'illustration 7. Le tuyau et le câble du distributeur d'eau restent joints à la porte du congélateur.

**REMARQUE :** Cette opération peut nécessiter la participation de deux personnes – l'une pour soulever la porte et l'autre pour faire passer le tuyau d'eau et le câble par l'axe de la charnière inférieure.

**IMPORTANT :** Faire reposer la porte sur le côté, sur une surface souple et propre telle une serviette, une couverture ou un morceau de carton. Ceci permettra d'éviter d'endommager la porte, le tuyau d'eau et le câble.

10. Fermer la porte du réfrigérateur et utiliser un tournevis TORX® T30® pour retirer complètement la charnière supérieure. Voir l'illustration 8.

**IMPORTANT :** Ne pas retirer les vis A. Tenir la porte pendant le retrait de la charnière.

11. Soulever verticalement la porte du réfrigérateur pour l'enlever de la charnière inférieure. Voir l'illustration 7.

**IMPORTANT :** Faire reposer la porte sur le côté, sur une surface souple et propre telle une serviette, une couverture ou un morceau de carton. Ceci permettra d'éviter d'endommager la porte.

12. Retirer les deux charnières inférieures si le réfrigérateur sans portes ne passe pas dans l'entrée du domicile. Utiliser un chasse-écrou de 5/16" pour les retirer. Voir l'illustration 9.

**IMPORTANT :** Ne pas retirer les vis B.

## Réinstallation des portes et des charnières

Si les portes et charnières inférieures ont été retirées, suivre les instructions suivantes pour la réinstallation :

1. Réinstaller les deux charnières inférieures à l'aide d'un chasse-écrou de 5/16" pour serrer les vis. Voir l'illustration 9.

2. Si ce modèle d'appareil comporte un distributeur d'eau dans la porte :

- Soulever suffisamment la porte du congélateur pour faire passer le tuyau d'eau du distributeur d'eau et le câble à travers l'axe de la charnière inférieure.

**REMARQUE :** Cette opération peut nécessiter la participation de deux personnes – l'une pour soulever la porte et l'autre pour faire passer le tuyau d'eau et le câble par l'axe de la charnière inférieure. Voir l'illustration 7.

- Insérer la porte du congélateur dans l'axe de la charnière inférieure.

**IMPORTANT :** Tenir la porte pendant l'installation de la charnière.

3. Fermer la porte du congélateur pour aligner et réinstaller la charnière supérieure. Utiliser un tournevis TORX® T30® pour serrer les vis. Voir l'illustration 8.

**IMPORTANT :** Installer un support supplémentaire pour la porte pendant la réinstallation de la charnière supérieure. La force d'attraction des aimants de la porte ne suffit pas à la maintenir en place.

4. Si ce modèle d'appareil comporte un distributeur d'eau dans la porte, brancher le tuyau du distributeur d'eau. Pour le branchement, pousser le tuyau dans le raccord jusqu'à ce qu'il s'arrête et que le repère noir touche la partie avant du raccord. Voir l'illustration 4.

5. Raccorder le câble. Voir l'illustration 5.

- Réinstaller l'agrafe de câblage et le support attache-fil avec une clé à douille à tête hexagonale de 1/4".

- Brancher les fiches de câblage du support attache-fil.

6. Soulever suffisamment la porte du réfrigérateur pour insérer la porte dans l'axe de charnière inférieure. Voir l'illustration 7.

**IMPORTANT :** Tenir la porte pendant l'installation de la charnière.

7. Fermer la porte du réfrigérateur pour aligner et réinstaller la charnière supérieure. Utiliser un tournevis TORX® T30® pour serrer les vis. Voir l'illustration 6.

**IMPORTANT :** Installer un support supplémentaire pour la porte pendant la réinstallation de la charnière supérieure. La force d'attraction des aimants de la porte ne suffit pas à la maintenir en place.

## Réglage de l'aplomb et fermeture des portes

Le réfrigérateur est équipé de deux roulettes réglables. Voir l'illustration 1.

Elles servent à mettre à niveau le réfrigérateur lorsque le sol est inégal ou pour faciliter la fermeture des portes. Suivre les instructions ci-dessous :

1. Placer le réfrigérateur à son emplacement définitif dans la cuisine et ouvrir les deux portes.
2. Ouvrir complètement les deux portes. Voir l'illustration 1.
3. Si ce modèle d'appareil comporte un distributeur d'eau dans la porte, ouvrir la porte du filtre à eau en la tirant vers soi. Voir l'illustration 2. Il n'est pas nécessaire de retirer le filtre à eau lui-même.
4. Tirer la grille de la base vers soi par les côtés, puis par le centre pour la dégager. Voir l'illustration 2.
5. Pour retirer la grille de la base, faire pivoter le côté droit et le tirer jusqu'à ce que ce côté passe sous la porte du réfrigérateur. Voir l'illustration 3. Puis tirer le côté gauche de la grille de la base pour la retirer complètement.
6. Utiliser un chasse-écrou de 3/8" pour faire tourner les vis de réglage de l'aplomb situées sur les deux côtés du réfrigérateur. Voir l'illustration 10. Si le sol est irrégulier, tourner une vis ou les deux vis vers la droite ou vers la gauche plusieurs fois pour relever ou abaisser le réfrigérateur. Contrôler l'aplomb du réfrigérateur en utilisant un niveau à bulle, si nécessaire.
7. Fermer les deux portes et vérifier qu'elles ferment aussi facilement que souhaité. Sinon, tourner les deux vis vers la droite pour relever le réfrigérateur en l'inclinant un peu plus vers l'arrière jusqu'à ce que les portes ferment tel que souhaité.
8. Vérifier que la fiche technique est à l'intérieur de la cavité de la grille de la base avant d'installer la grille dans la caisse du réfrigérateur.
9. Réinstaller la grille de la base dans la caisse du réfrigérateur, en introduisant d'abord le côté gauche puis le côté droit de la grille de la base. Voir l'illustration 3. Introduire le tuyau et le câble du distributeur d'eau dans la cavité de la grille de la base sous la charnière inférieure gauche.
10. Pousser la grille de la base pour la fixer à la caisse à l'aide des agrafes. Voir l'illustration 2.

## Alignement des portes

Les portes du réfrigérateur sont conçues pour être légèrement décalées verticalement lorsque le réfrigérateur est vide. Suivre les étapes suivantes pour aligner les portes du réfrigérateur.

1. Utiliser une clé à molette de 11/16" pour desserrer l'écrou de blocage situé sous la porte du réfrigérateur. Voir l'illustration 11. Ajuster la clé pour pouvoir l'introduire dans l'espace.
2. Utiliser une clé à molette de 5/16" pour tourner la vis d'alignement. Voir l'illustration 12. Selon la façon dont la porte du réfrigérateur est décalée par rapport à la porte du congélateur, tourner la vis vers la droite pour relever la porte du réfrigérateur ou vers la gauche pour l'abaisser jusqu'à ce que les deux portes soient alignées verticalement.
3. Serrer l'écrou de blocage de 11/16" avec la clé de 11/16".
4. Refixer la grille de la base si elle a été dégagée.

## Installation et démontage des poignées

**PIÈCES COMPRISES :** Poignées de porte (2), clé hexagonale de 1/8", vis de blocage (de rechange).

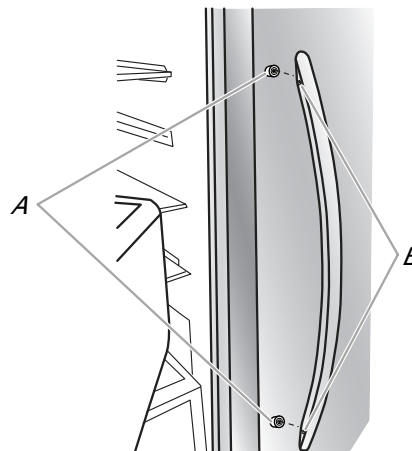
**Installation des poignées :**

**REMARQUE :** Les vis de blocage pour le montage de la poignée sont préinstallées dans la poignée.

1. Retirer les poignées de l'emballage à l'intérieur du réfrigérateur.

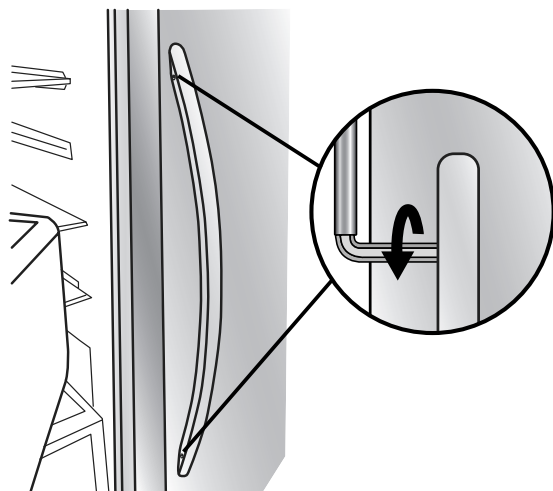
**REMARQUE :** Afin d'éviter d'érafler le revêtement, placer les poignées sur une serviette ou une autre surface souple.

2. Ouvrir la porte du congélateur. Placer la poignée sur les vis d'épaulement montées sur la porte du réfrigérateur en orientant les vis de blocage vers le congélateur.



A. Vis d'épaulement  
B. Vis de blocage à l'intérieur de la poignée

3. Pousser fermement la poignée vers la porte jusqu'à ce que la base de la poignée soit en affleurement avec la porte.
4. Tout en maintenant la poignée, insérer l'extrémité courte de la clé hexagonale dans le trou supérieur et faire légèrement pivoter la clé hexagonale jusqu'à ce qu'elle soit engagée dans la vis de blocage.



5. Serrer la vis de blocage jusqu'à ce qu'elle commence à toucher la vis d'épaulement en la tournant dans le sens horaire.
6. Répéter les étapes 4 et 5 pour commencer à serrer la vis de blocage inférieure.
7. Une fois que les deux vis de blocage ont été partiellement serrées tel que décrit dans les étapes précédentes, resserrer complètement les vis de blocage inférieures et supérieures.  
**IMPORTANT :** Lorsque les vis semblent serrées, les serrer d'un quart de tour supplémentaire. Sans ce serrage supplémentaire, la poignée ne sera pas correctement installée.
8. Ouvrir la porte du réfrigérateur et fermer la porte du congélateur. Répéter les étapes 2 à 7 pour installer l'autre poignée sur la porte du congélateur en orientant les vis de blocage vers le réfrigérateur.
9. Conserver la clé hexagonale et toutes les instructions.

#### Retrait des poignées :

1. Tout en maintenant la poignée, insérer l'extrémité courte de la clé hexagonale dans le trou de vis de blocage inférieur et faire légèrement pivoter la clé hexagonale jusqu'à ce qu'elle soit engagée dans la vis de blocage.
2. Desserrer la vis de blocage en la tournant d'un quart de tour à la fois dans le sens antihoraire.
3. Répéter les étapes 1 et 2 pour la vis de blocage supérieure. Dégager la poignée de la porte en la tirant doucement.
4. Si nécessaire, retirer les vis d'épaulement de la porte avec un tournevis Phillips.

## Exigences d'emplacement

### ⚠ AVERTISSEMENT



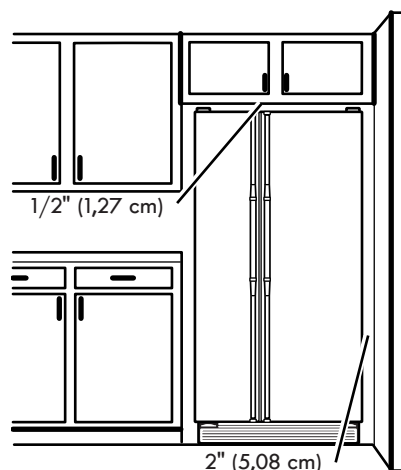
#### Risque d'explosion

Garder les matériaux et les vapeurs inflammables, telle que l'essence, loin du réfrigérateur.

Le non-respect de cette instruction peut causer un décès, une explosion ou un incendie.

**IMPORTANT :** Ce réfrigérateur est conçu pour un usage domestique, à l'intérieur uniquement.

Pour obtenir une aération appropriée pour le réfrigérateur, laisser un espace de 1/2" (1,27 cm) de chaque côté et au sommet. Laisser un espace de 2" (5,08 cm) derrière le réfrigérateur. Si le réfrigérateur comporte une machine à glaçons, s'assurer qu'un espace additionnel est prévu à l'arrière pour permettre les raccordements des conduits d'eau. En cas d'installation du réfrigérateur près d'un mur fixe, laisser un minimum de 2" (5,08 cm) de chaque côté (selon le modèle) pour permettre aux portes de s'ouvrir sans obstruction.



#### REMARQUES :

- Ce réfrigérateur est conçu pour être utilisé dans un endroit où la température est comprise entre un minimum de 55 °F (13 °C) et un maximum de 110 °F (43 °C). La plage de température ambiante idéale pour une performance optimale est comprise entre 60 °F (15 °C) et 90 °F (32 °C). Respecter cette plage de température permet aussi de réduire la consommation d'électricité et d'optimiser l'efficacité du refroidissement. Il est recommandé de ne pas installer le réfrigérateur près d'une quelconque source de chaleur telle qu'un four ou un radiateur.
- La largeur normale de la cavité d'encastrement doit être d'au moins 36" (91,44 cm) pour l'installation du produit. Cependant, si le produit est placé contre une paroi relativement longue et si on veut pouvoir retirer les bacs à légumes, il convient d'élargir la cavité de 18" (45,72 cm). On recommande donc une cavité d'encastrement d'une largeur totale de 54" (137,16 cm).

## Spécifications électriques

### **AVERTISSEMENT**



#### Risque de choc électrique

**Déconnecter la source de courant électrique avant l'entretien.**

**Replacer pièces et panneaux avant de faire la remise en marche.**

**Le non-respect de ces instructions peut causer un décès ou un choc électrique.**

Avant de placer le réfrigérateur à son emplacement final, il est important de s'assurer d'avoir la connexion électrique appropriée.

#### Méthode recommandée de mise à la terre

Une source d'alimentation de 115 volts, 60 Hz, type 15 ou 20 ampères CA seulement, protégée par fusible et adéquatement mise à la terre, est nécessaire. Il est recommandé d'utiliser un circuit distinct pour alimenter uniquement votre réfrigérateur. Utiliser une prise murale qui ne peut pas être mise hors circuit à l'aide d'un commutateur. Ne pas utiliser un câble de rallonge.

**REMARQUE :** Avant de procéder à tout type d'installation, de nettoyage ou de changement d'ampoule, déconnecter le réfrigérateur de la source d'alimentation. Lorsque cela est terminé, reconnecter le réfrigérateur à la source d'alimentation électrique et replacer la commande (du thermostat, du réfrigérateur ou du congélateur selon le modèle) au réglage désiré. Voir "Utilisation des commandes" dans les instructions d'utilisation, le guide d'utilisation ou le guide d'utilisation et d'entretien.

#### Spécifications de l'alimentation en eau

Rassembler les outils et pièces nécessaires avant de commencer l'installation. Lire et suivre les instructions fournies avec les outils indiqués ici.

#### OUTILLAGE REQUIS :

- Tournevis à lame plate
- Tourne-écrou de 1/4"
- Clés plates de 7/16" et 1/2"  
ou deux clés à molette
- Foret de 1/4"
- Perceuse sans fil

**REMARQUE :** Le marchand de réfrigérateurs présente une trousse disponible avec un robinet d'arrêt à étrier de 1/4" (6,35 mm), un raccord et un tube en cuivre. Avant l'achat, s'assurer que le robinet d'arrêt à étrier est conforme à vos codes locaux de plomberie. Ne pas employer de robinet d'arrêt à étrier de 3/16" (4,76 mm) ou de type à percer, ce qui réduit le débit d'eau et cause une obstruction plus facilement.

#### IMPORTANT :

- Toutes les installations doivent être conformes aux exigences des codes locaux de plomberie.
- Utiliser un tube en cuivre et vérifier s'il y a des fuites. Installer les tubes en cuivre seulement à des endroits où la température se maintient au-dessus du point de congélation.

## Pression de l'eau

Une alimentation en eau froide avec une pression entre 30 et 120 lb/po<sup>2</sup> (207 et 827 kPa) est nécessaire pour faire fonctionner le distributeur d'eau et la machine à glaçons. Pour toute question au sujet de la pression de l'eau, appeler un plombier qualifié agréé.

- Si le réfrigérateur comporte un distributeur d'eau : une fois l'installation terminée, utiliser le distributeur d'eau pour vérifier que la pression de l'eau est correcte.
  - Après avoir retiré le filtre à eau, verser l'équivalent d'une (1) tasse (237 mL) d'eau. Si l'équivalent d'une (1) tasse d'eau est distribué en 8 secondes ou moins, cela signifie que la pression en eau alimentant le réfrigérateur répond au critère minimal.
  - S'il faut plus de 8 secondes à la machine pour distribuer l'équivalent d'une (1) tasse d'eau, cela signifie que la pression en eau alimentant le réfrigérateur est inférieure au niveau recommandé. Voir "Résolution de problèmes" pour des suggestions sur la marche à suivre.

#### Alimentation en eau par osmose inverse

**IMPORTANT :** La pression de l'alimentation en eau entre le système d'osmose inverse et la valve d'arrivée d'eau du réfrigérateur doit être entre 30 et 120 lb/po<sup>2</sup> (207 et 827 kPa).

Si un système de purification de l'eau par osmose inverse est raccordé à l'alimentation en eau froide, la pression de l'eau au système doit être d'un minimum de 40 à 60 lb/po<sup>2</sup> (276 à 414 kPa).

Si la pression de l'eau au système d'osmose inverse est inférieure à 40 à 60 lb/po<sup>2</sup> (276 à 414 kPa) :

- Vérifier si le filtre à sédiment du système d'osmose inverse est obstrué et le remplacer si nécessaire.
- Laisser le réservoir du système d'osmose inverse se remplir après une utilisation intense.
- Si le réfrigérateur comporte un filtre à eau, celui-ci peut réduire encore davantage la pression de l'eau lorsqu'il est utilisé avec un système d'osmose inverse. Retirer le filtre à eau. Voir "Système de filtration d'eau" dans les instructions d'utilisation, le guide d'utilisation, ou le guide d'utilisation et d'entretien.

Pour toute question au sujet de la pression de l'eau, appeler un plombier qualifié agréé.

#### Raccordement de la canalisation d'eau

Lire toutes les instructions avant de commencer.

#### IMPORTANT :

- L'installation de la plomberie doit être conforme au Code international de plomberie et respecter les codes et règlements locaux de plomberie.
- Le tuyau d'eau gris situé à l'arrière du réfrigérateur (et utilisé pour raccorder l'appareil à la canalisation d'eau du domicile) est un tuyau en polyéthylène réticulé (PEX). Il est possible d'utiliser des raccords en cuivre ou en polyéthylène réticulé pour le raccordement de la canalisation d'eau du domicile au réfrigérateur - ils contribuent à éviter que l'eau ait un goût ou une odeur désagréable. Vérifier qu'il n'y a pas de fuites.
- Installer les tuyaux seulement là où les températures resteront au-dessus du point de congélation.

#### OUTILLAGE NÉCESSAIRE :

Rassembler les outils et pièces nécessaires avant de commencer l'installation.

- Tournevis à lame plate
- Clés plates de 7/16" et de 1/2" ou deux clés à molette
- Tourne-écrou de 1/4"

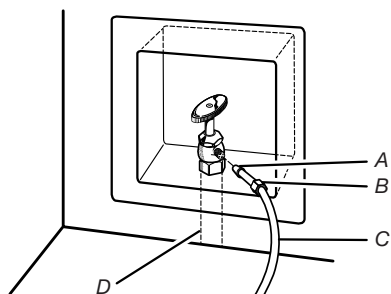
## Raccordement à une canalisation d'eau

**IMPORTANT :** Si on doit mettre en marche le réfrigérateur avant qu'il soit raccordé à la canalisation d'eau, placer la commande de la machine à glaçons à la position arrêt.

### Style 1 (Recommandé)

1. Débrancher le réfrigérateur ou déconnecter la source de courant électrique.
2. Fermer le robinet principal d'arrivée d'eau. Ouvrir le robinet de puisage le plus proche pendant une période suffisante pour que la canalisation d'eau se vide.
3. Utiliser un robinet d'arrêt quart de tour ou équivalent alimenté par une canalisation d'alimentation domestique en cuivre de 1/2".

**REMARQUE :** Pour que le réfrigérateur reçoive un débit d'eau suffisant, on recommande l'emploi d'une canalisation d'alimentation domestique en cuivre de 1/2" minimum.

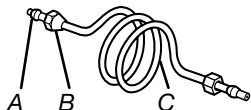


- |               |   |
|---------------|---|
| A. Renflement | C. Canalisation en cuivre (jusqu'au réfrigérateur)        |
| B. Écrou      | D. Canalisation d'alimentation du domicile (1/2" minimum) |

4. On est maintenant prêt à connecter le tube en cuivre au robinet d'arrêt. Utiliser un conduit de cuivre flexible de 1/4" (6,35 mm) de diamètre extérieur pour raccorder le robinet d'arrêt au réfrigérateur.

- S'assurer d'avoir la longueur nécessaire pour le raccordement. Il faut s'assurer que les deux extrémités du tube en cuivre sont bien coupées à angle droit.

- Installer la bague et l'écrou de compression sur le tube en cuivre (voir l'illustration). Insérer l'extrémité du tuyau aussi profondément que possible et en ligne droite dans l'extrémité de sortie. Visser l'écrou à compression sur l'extrémité de la sortie à l'aide d'une clé à molette. Ne pas serrer à l'excès.



- |                         |
|-------------------------|
| A. Bague de compression |
| B. Écrou de compression |
| C. Tuyau en cuivre      |

5. Placer l'extrémité libre du tuyau dans un contenant ou évier et rétablir l'alimentation principale en eau pour nettoyer le tuyau jusqu'à ce que l'eau en sorte claire. Fermer le robinet d'arrêt sur le tuyau d'alimentation en eau.

**REMARQUE :** Toujours vidanger le tuyau d'alimentation en eau avant de faire le raccordement final sur l'entrée du robinet pour empêcher tout mauvais fonctionnement éventuel du robinet.

6. Courber le tuyau de cuivre de façon à faire un raccordement sur l'entrée du robinet qui se trouve à l'arrière de la caisse du réfrigérateur (voir l'illustration). Laisser un serpentín de tube en cuivre pour permettre de sortir le réfrigérateur du placard ou du mur en cas d'intervention de service.

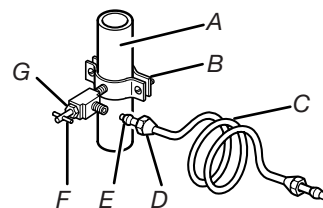
### Style 2

1. Débrancher le réfrigérateur ou déconnecter la source de courant électrique.
2. Fermer le robinet principal d'arrivée d'eau. Ouvrir le robinet de puisage le plus proche pendant une période suffisante pour que la canalisation d'eau se vide.
3. Repérer une canalisation d'eau froide verticale de 1/2" (1,27 cm) à 1/4" (3,18 cm) près du réfrigérateur.

#### IMPORTANT :

- S'assurer qu'il s'agit d'une canalisation d'eau froide.
- Un conduit horizontal fonctionnera, mais percer par le dessus de la canalisation et non pas par le dessous. Ceci permet de tenir le point de perçage à l'écart de l'eau et d'empêcher les sédiments qu'on trouve normalement dans l'eau de s'accumuler dans le robinet.

4. Pour déterminer la longueur du tube en cuivre, il faut mesurer la distance entre le point de connexion inférieur à l'arrière du réfrigérateur et la canalisation d'eau. Ajouter une longueur de 7 pi (2,1 m) pour permettre le nettoyage. Utiliser un tube en cuivre de 1/4" (6,35 mm) de diamètre extérieur. Veiller à ce que le tube soit coupé d'équerre aux deux extrémités.
5. À l'aide d'une perceuse sans fil, percer un trou de 1/4" (6,35 mm) dans le tuyau de canalisation d'eau froide choisi.



- |                              |                         |
|------------------------------|-------------------------|
| A. Canalisation d'eau froide | E. Bague de compression |
| B. Bride de tuyau            | F. Robinet d'arrêt      |
| C. Tube en cuivre            | G. Écrou de serrage     |
| D. Écrou de compression      |                         |

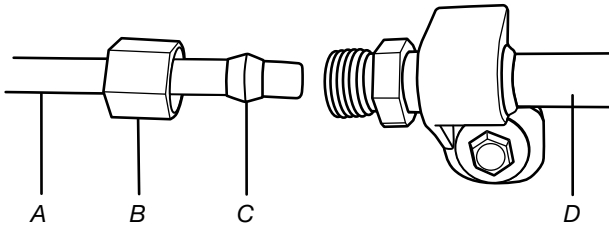
6. Fixer le robinet d'arrêt sur la canalisation d'eau froide avec la bride de tuyau. Vérifier que l'extrémité de sortie du robinet est bien engagée dans le trou de 1/4" (6,35 mm) percé dans la canalisation et que la rondelle d'étanchéité est placée sous la bride de tuyau. Serrer l'écrou de serrage. Serrer lentement et uniformément les vis fixant la bride de prise en charge sur le tuyau afin d'assurer l'étanchéité de la rondelle. Ne pas serrer excessivement car ceci pourrait provoquer l'écrasement du tube en cuivre.
7. Enfiler l'écrou et la bague de compression sur le tube en cuivre comme on le voit sur l'illustration. Insérer l'extrémité du tube aussi loin que possible et en ligne droite dans l'extrémité de sortie du robinet. Visser l'écrou de compression sur l'extrémité de sortie avec une clé à molette. Ne pas serrer excessivement.
8. Placer le bout libre du tube dans un contenant ou évier et Ouvrir le robinet principal d'arrivée d'eau et laisser l'eau s'écouler par le tube jusqu'à ce que l'eau soit limpide. Fermer le robinet d'arrêt du tuyau d'alimentation. Enrouler le tube en cuivre.

## Raccordement au réfrigérateur

### Style 1

1. Débrancher le réfrigérateur ou déconnecter la source de courant électrique.
2. Retirer et jeter la courte pièce en plastique noire au bout de l'orifice d'entrée de la canalisation d'eau.
3. Visser l'écrou sur l'extrémité du tuyau. Serrer l'écrou manuellement. Ensuite le serrer deux tours de plus avec une clé. Ne pas serrer à l'excès.

**REMARQUE :** Pour éviter les vibrations, veiller à ce que les tuyaux en cuivre ne soient pas en contact avec les parois latérales de la caisse ou d'autres composants à l'intérieur de la caisse.

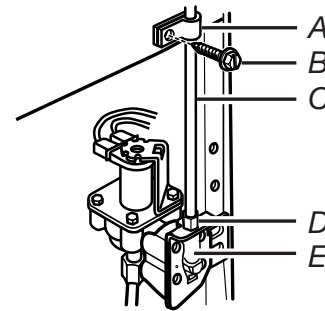


- A. Canalisation d'eau du domicile
- B. Écrou (à acheter)
- C. Virole (à acheter)
- D. Conduit d'eau vers le réfrigérateur

4. Installer la bride du tuyau d'alimentation en eau autour de la canalisation d'alimentation en eau pour réduire la tension sur le raccord.
5. Ouvrir le robinet d'arrêt.
6. Vérifier s'il y a des fuites. Serrer tous les raccords (y compris les raccords du robinet) ou les écrous qui fuient.

### Style 2

1. Débrancher le réfrigérateur ou déconnecter la source de courant électrique.
2. Retirer et jeter la pièce en plastique fixée au point d'arrivée du robinet d'eau.
3. Connecter le tube en cuivre à la valve d'arrivée d'eau en utilisant un écrou et une bague de compression tel qu'illustré. Serrer l'écrou de compression. Ne pas serrer excessivement.
4. Utiliser la bride du tube à l'arrière du réfrigérateur pour fixer le tube au réfrigérateur tel qu'illustré. Ceci aide à éviter d'endommager le tube lorsque le réfrigérateur est poussé contre le mur.
5. Ouvrir le robinet d'arrêt.
6. Inspecter pour rechercher les fuites. Serrer tous les raccords (y compris les raccords du robinet d'eau) ou les écrous qui fuient.



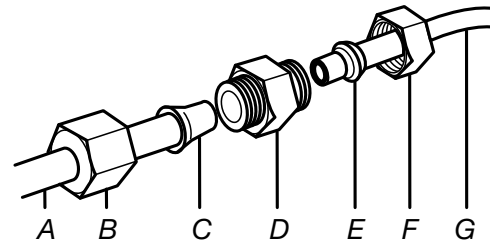
- A. Bride du tube
- B. Vis de bride du tube
- C. Tube en cuivre
- D. Écrou de compression
- E. Valve d'entrée d'eau

7. Sur certains modèles, la machine à glaçons est équipée d'un filtre à eau incorporé. Si la qualité de l'eau distribuée localement nécessite un deuxième filtre à eau, installer ce dernier dans la canalisation d'eau de 1/4" (6,35 mm) au niveau de l'une des extrémités de la canalisation. On peut obtenir un tel filtre à eau chez le marchand d'appareils électroménagers le plus proche.

### Style 3

1. Débrancher le réfrigérateur ou déconnecter la source de courant électrique.
2. Retirer et jeter le bouchon en nylon noir du tuyau d'eau gris à l'arrière du réfrigérateur.
3. Si le tuyau gris fourni avec le réfrigérateur n'est pas assez long, un raccord de 1/4" x 1/4" (6,35 mm x 6,35 mm) est nécessaire afin de connecter la canalisation d'eau au conduit d'eau existant dans la maison. Visser l'écrou fourni sur le raccord à l'extrémité du tube de cuivre.

**REMARQUE :** Serrer l'écrou à la main. Ensuite, le serrer deux tours de plus avec une clé. Ne pas serrer excessivement.



- A. Conduit d'eau vers le réfrigérateur
- B. Écrou (fourni)
- C. Renflement
- D. Raccord (à acheter)
- E. Virole (à acheter)
- F. Écrou (à acheter)
- G. Canalisation d'eau du domicile

4. Ouvrir le robinet d'arrêt.
5. Inspecter pour rechercher les fuites. Serrer tous les raccords (y compris les raccords du robinet d'eau) qui fuient.

## ⚠️ AVERTISSEMENT



### Risque de choc électrique

Déconnecter la source de courant électrique avant l'entretien.

Replacer pièces et panneaux avant de faire la remise en marche.

Le non-respect de ces instructions peut causer un décès ou un choc électrique.

1. Brancher sur une prise à 3 alvéoles reliée à la terre.
2. Vider le système d'eau. Voir "Préparation du système d'eau" ou "Distributeurs d'eau et de glaçons".

**REMARQUE :** Attendre 24 heures pour produire la première quantité de glaçons. Attendre 72 heures pour que le bac à glaçons se remplisse entièrement.

## Préparation du système d'eau

Veuillez lire avant d'utiliser le système d'eau.

Immédiatement après l'installation, suivre les étapes ci-dessous pour s'assurer que le système d'eau est bien nettoyé.

1. Ouvrir la porte du congélateur et éteindre la machine à glaçons. Voir "Machine à glaçons et bac d'entreposage".

**REMARQUE :** Si le modèle comporte un filtre à eau, s'assurer que le filtre est correctement installé. Voir "Système de filtration de l'eau".

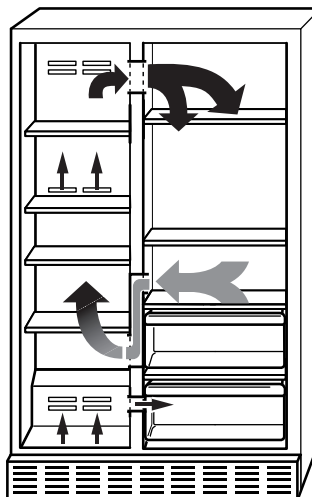
Ne pas utiliser pour le filtrage d'une eau microbiologiquement polluée ou de qualité inconnue en l'absence d'un dispositif de désinfection adéquat avant ou après le système. Les systèmes certifiés pour la réduction de kyste peuvent être utilisés pour l'eau désinfectée qui peut contenir des kystes filtrables.

2. Vidanger le circuit d'eau. Utiliser un récipient robuste pour appuyer sur le levier du distributeur d'eau pendant 5 secondes, puis relâcher le levier pendant 5 secondes. Répéter l'opération jusqu'à ce que l'eau commence à couler. Une fois que l'eau commence à couler, continuer d'appuyer puis de relâcher le levier du distributeur (appui pendant 5 secondes, relâchement pendant 5 secondes) jusqu'à ce qu'un total de 3 gal. (12 L) soit distribué. Ceci évacue l'air du filtre et du système de distribution d'eau et prépare le filtre à eau pour utilisation. Une vidange supplémentaire peut être nécessaire dans certains domiciles. Pendant l'évacuation de l'air du système, de l'eau peut gicler du distributeur.
3. Ouvrir la porte du congélateur et mettre en marche la machine à glaçons. Voir "Machine à glaçons et bac d'entreposage".
  - Attendre 24 heures pour obtenir la première quantité de glaçons.
  - Jeter les trois premières quantités de glaçons produites.

## UTILISATION DU RÉFRIGÉRATEUR

### Pour s'assurer d'une circulation d'air appropriée

Pour s'assurer d'avoir les températures appropriées, il faut permettre à l'air de circuler entre les deux sections. L'air froid pénètre à la base de la section du congélateur et se déplace vers le haut. Il pénètre ensuite dans la section du réfrigérateur à travers l'ouverture d'aération supérieure. L'air retourne ensuite au congélateur tel qu'illustré.



Ne pas bloquer les ouvertures d'aération. Si les ouvertures d'aération sont bloquées, le courant d'air est obstrué et des problèmes de température et d'humidité peuvent survenir.

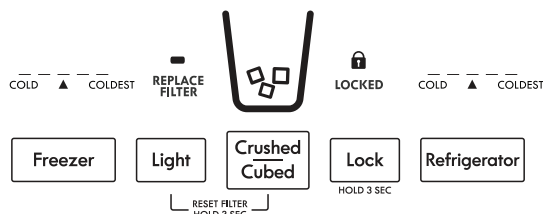
**IMPORTANT :** Comme l'air circule entre les deux sections, toutes les odeurs formées dans une section seront transférées à l'autre. Il faut nettoyer à fond les deux sections pour éliminer les odeurs. Pour éviter le transfert d'odeurs et l'assèchement des aliments, bien envelopper ou recouvrir hermétiquement les aliments.

## Utilisation des commandes

Les commandes du réfrigérateur et du congélateur se trouvent sur le tableau de distribution.

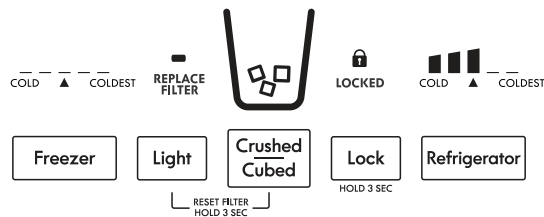
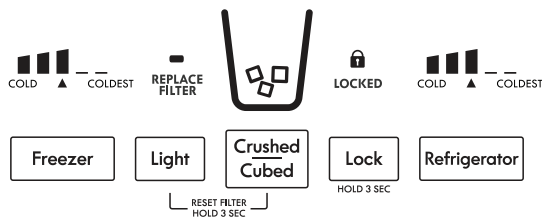
**IMPORTANT :** L'écran d'affichage sur le tableau de commande du distributeur s'éteint automatiquement et entre au mode "veille" lorsque les boutons de commande et la plaque de distribution n'ont pas été utilisés pendant au moins 2 minutes. Le fait d'appuyer une fois sur un bouton de commande au mode "veille" réactive uniquement l'écran d'affichage, sans modifier les réglages.

- Appuyer sur n'importe quel bouton de commande sur le tableau de distribution pour activer l'écran d'affichage. L'écran d'accueil apparaît tel qu'indiqué.



## Ajustement des commandes

Pour votre confort, les commandes du réfrigérateur et du congélateur sont préréglées à l'usine. Lors de l'installation initiale du réfrigérateur, s'assurer que les commandes des deux appareils sont encore préréglées au "réglage moyen". Ceci sera affiché dans la séquence de barres avec trois barres illuminées.



### IMPORTANT :

Attendre 24 heures avant d'ajouter des aliments dans le réfrigérateur. Si on ajoute des aliments alors que le réfrigérateur n'a pas complètement refroidi, les aliments risquent de s'abîmer.

**REMARQUE :** Ajuster la commande sur un réglage plus froid que celui qui est recommandé ne refroidira pas les compartiments plus rapidement.

- Si la température est trop tiède ou trop froide dans le réfrigérateur ou le congélateur, vérifier d'abord les événements pour s'assurer qu'ils ne sont pas bloqués, avant de régler les commandes.
- Les réglages préréglés doivent être corrects pour l'utilisation domestique normale. Les réglages sont faits correctement lorsque le lait ou le jus sont à la température souhaitée et lorsque la crème glacée est ferme.
- Attendre au moins 24 heures entre les ajustements. Vérifier de nouveau les températures avant de procéder à d'autres ajustements.

Condition/raison :	Ajustement de la température :
Réfrigérateur trop tiède	Réglage du réfrigérateur barre plus haut
Congélateur trop tiède / trop peu de glaçons	Réglage du congélateur barre plus haut
Réfrigérateur trop froid	Réglage du réfrigérateur 1 barre plus bas
Congélateur trop froid	Réglage du congélateur 1 barre plus bas

La plage de consigne est "1 barre" (moins froid) à "5 barres" (plus froid).

### Commande du Réfrigérateur:

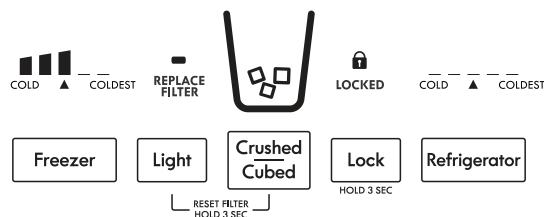
- Appuyez sur REFRIGERATOR (Réfrigérateur) pour afficher le point de consigne actuel du réfrigérateur.

- Appuyez à nouveau sur REFRIGERATOR (Réfrigérateur) pour régler la consigne. Le réglage augmente de 1 bar à chaque pression du bouton, revenant à 1 bar après avoir atteint 5.

Après 2 minutes d'inactivité, toutes les modifications sont enregistrées et l'écran revient à l'écran d'accueil.

### Commande du Congélateur:

- Appuyez sur FREEZER (Congélateur) pour afficher le point de consigne actuel du congélateur.



- Appuyez à nouveau sur FREEZER (Congélateur) pour régler la consigne. Le réglage augmente de 1 barre à chaque pression du bouton, revenant à 1 barre après avoir atteint 5.

Après 2 minutes d'inactivité, toutes les modifications sont enregistrées et l'écran revient à l'écran d'accueil.

### Distributeurs d'eau et de glaçons

Selon le modèle, une ou plusieurs des options suivantes sont disponibles : la capacité de choisir de la glace concassée ou des glaçons, une lumière spéciale qui s'allume lorsque le distributeur est employé ou une option de verrouillage pour éviter la distribution involontaire.

### REMARQUES :

- Le système de distribution ne fonctionne pas lorsque la porte du réfrigérateur ou du congélateur est ouverte.
- Accorder 24 heures pour que le réfrigérateur se refroidisse et refroidisse l'eau.
- Accorder 24 heures pour produire la première quantité de glaçons. Jeter les trois premières quantités de glaçons produites. Attendre 72 heures pour une production complète de glaçons. Prendre de grandes quantités de glaçons du bac à glaçons plutôt que par l'entremise du distributeur.
- L'écran d'affichage sur le tableau de commande du distributeur s'éteint automatiquement et entre au mode "veille" lorsque les boutons de commande et la plaque de distribution n'ont pas été utilisés pendant au moins 2 minutes. Le fait d'appuyer une fois sur un bouton de commande au mode "veille" réactive uniquement l'écran d'affichage, sans modifier les réglages.

## Rinçage du circuit d'eau

De l'air piégé dans le système de distribution d'eau peut faire goutter le distributeur d'eau. Après avoir raccordé le réfrigérateur à une source d'alimentation en eau ou remplacé le filtre à eau, vidanger le circuit d'eau. Le fait de rincer le système de distribution d'eau évacue l'air de la canalisation et du filtre, et conditionne le filtre à eau.

**REMARQUE :** Pendant l'évacuation de l'air, de l'eau peut gicler du distributeur.

1. Utiliser un récipient robuste pour appuyer sur le levier du distributeur d'eau pendant 5 secondes, puis relâcher le levier pendant 5 secondes.
2. Répéter l'étape 1 jusqu'à ce que l'eau commence à couler.
3. Une fois que l'eau commence à couler, continuer d'appuyer puis de relâcher le levier du distributeur (appui pendant 5 secondes, relâchement pendant 5 secondes) jusqu'à ce qu'un total de 3 gal. (12 L) soit distribué.

Une vidange supplémentaire peut être nécessaire dans certains domiciles.

## Le distributeur d'eau

### IMPORTANT :

- Distribuer au moins 1 pte (1 L) d'eau chaque semaine pour maintenir un approvisionnement en eau fraîche.
- Si le débit en provenance du distributeur diminue, cela peut être dû à une faible pression en eau.
  - Avec le filtre à eau retiré, verser l'équivalent d'une (1) tasse (237 mL) d'eau. Si l'équivalent d'une (1) tasse d'eau est distribué en 8 secondes ou moins, cela signifie que la pression en eau alimentant le réfrigérateur répond au critère minimal.
  - S'il faut plus de 8 secondes à la machine pour distribuer l'équivalent d'une (1) tasse d'eau, cela signifie que la pression en eau alimentant le réfrigérateur est inférieure au niveau recommandé. Voir "Spécifications de l'alimentation en eau" ou "Résolution de problèmes" pour des suggestions sur la marche à suivre.

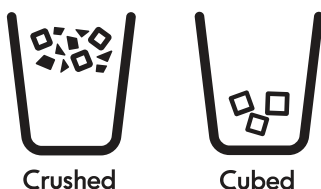
### Distribution d'eau :

1. Appuyer un verre robuste contre le levier du distributeur. Tenir le verre près de la canule du distributeur d'eau pour que l'eau coule dans le verre.
2. Retirer le verre pour arrêter la distribution.

**IMPORTANT:** Le petit récipient situé à la base du distributeur est conçu pour recueillir les petits renversements et pour faciliter le nettoyage. Le récipient ne comporte pas de conduit d'écoulement.

## Le distributeur de glaçons

La glace tombe du bac d'entreposage de la machine à glaçons dans le congélateur lorsqu'on appuie sur le levier du distributeur. Pour éteindre la machine à glaçons, voir "Machine à glaçons et bac d'entreposage". La machine à glaçons peut produire à la fois de la glace concassée et des glaçons. Avant de distribuer de la glace, sélectionner le type de glace souhaité en appuyant sur le bouton "Ice Type". L'écran d'affichage indique le type de glace sélectionné.



Pour de la glace concassée, les glaçons sont concassés avant d'être distribués. Cette action peut causer un court dé lait lors de la distribution de glace concassée. Le bruit du broyeur de glaçons est normal et la dimension des morceaux de glace peut varier. Lorsqu'on passe de la glace concassée aux glaçons, quelques onces de glace concassée sont distribuées avec les premiers glaçons.

### Distribution de glaçons :

1. Appuyer sur le bouton pour le type de glace désiré.

## AVERTISSEMENT



### Risque de coupure

Utiliser un verre robuste pour prendre des glaçons.

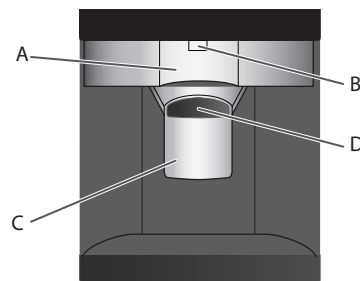
Le non-respect de cette instruction peut causer des coupures.

2. Appuyer un verre robuste contre le levier de distribution. Tenir le verre près de la goulotte à glaçons pour que les glaçons tombent dans le verre.

**IMPORTANT :** Il n'est pas nécessaire d'appliquer beaucoup de pression au levier pour activer le distributeur de glaçons. Une pression forte ne donne pas une distribution plus rapide de glaçons ou des quantités plus grandes.

3. Retirer le verre pour arrêter la distribution.

**REMARQUE :** Il est possible que des glaçons continuent à être distribués pendant quelques secondes après que l'on a retiré le verre. Le distributeur peut continuer à faire du bruit pendant quelques secondes après la distribution.



- A. Levier du distributeur d'eau
- B. Canule du distributeur d'eau
- C. Levier de distribution de glace
- D. Goulotte à glaçons

## La lampe du distributeur

Lorsqu'on utilise le distributeur, la lampe s'allume automatiquement.

- Pour que la lampe reste allumée en permanence, appuyer sur LIGHT (Éclairage).
- Appuyer de nouveau sur LIGHT (éclairage) pour éteindre la lampe du distributeur. Les lampes du distributeur sont des DEL qui ne peuvent pas être remplacées. Si les lampes du distributeur ne fonctionnent pas, voir la section "Dépannage" pour plus d'informations.

## Le verrouillage du distributeur

Le distributeur peut être verrouillé pour un nettoyage facile ou pour éviter la distribution involontaire par de jeunes enfants ou des animaux de compagnie.

**REMARQUE:** La caractéristique de verrouillage ne coupe pas le courant électrique au réfrigérateur, à la machine à glaçons ou à la lampe du distributeur. Elle désactive simplement le levier du distributeur. Pour éteindre la machine à glaçons, voir "Machine à glaçons et bac d'entreposage".

- Appuyer sur LOCK pendant 3 secondes pour verrouiller le distributeur.
- Appuyer à nouveau sur LOCK pour déverrouiller le distributeur.



### LOCKED

- L'écran d'affichage indique si le distributeur est verrouillé.

## Système de filtration de l'eau

Ne pas utiliser pour le filtrage d'une eau microbiologiquement polluée ou de qualité inconnue en l'absence d'un dispositif de désinfection adéquat avant ou après le système. Les systèmes certifiés pour la réduction de kyste peuvent être utilisés pour l'eau désinfectée qui peut contenir des kystes filtrables.

## Témoin lumineux d'état du filtre à eau (sur certains modèles)

Le témoin lumineux d'état du filtre à eau vous aidera à savoir quand changer le filtre à eau.

- Remplacer la cartouche du filtre à eau lorsque l'affichage de l'état du filtre passe à activer.

**REMARQUE :** Si le débit d'eau au distributeur d'eau ou à la machine à glaçons diminue de façon marquée, remplacer le filtre plus tôt. Le filtre doit être remplacé au moins tous les 6 mois selon la qualité de l'eau et la fréquence d'utilisation.



### REPLACE FILTER

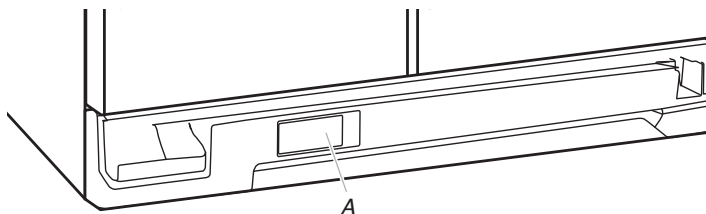
## Réinitialisation de l'état du filtre

- Après avoir changé le filtre, réinitialiser le témoin lumineux de l'état du filtre en appuyant sur LIGHT et ICE TYPE pendant 3 secondes.

Le témoin lumineux s'éteint lorsque le système est réinitialisé.

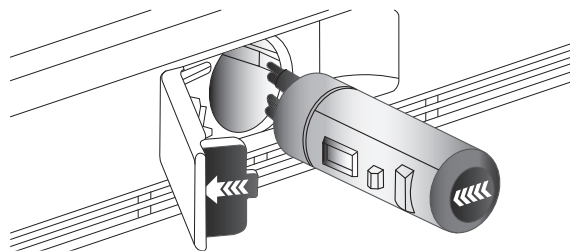
## Remplacement du filtre à eau

### Style 1



A. Clapet du logement du filtre à eau.

1. Repérer le clapet du logement du filtre à eau dans la grille de la base et l'ouvrir en le tirant. Le filtre doit être libéré puis éjecté lorsque l'on ouvre le clapet.
2. Une fois le clapet complètement ouvert, retirer le filtre en le tirant en ligne droite.

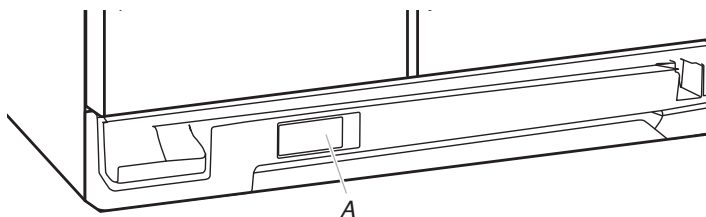


**REMARQUE :** Il y aura peut-être de l'eau dans le filtre. Il est possible que de l'eau se renverse. Utiliser une serviette pour essuyer tout renversement.

3. Retirer le filtre neuf de son emballage, puis retirer les protections des anneaux d'étanchéité. S'assurer que les anneaux d'étanchéité sont toujours en place une fois que les protections sont retirées.
4. Avec la flèche orientée vers la gauche (vers la charnière du clapet du logement du filtre), aligner le filtre neuf avec le logement du filtre et l'insérer en le faisant glisser. Le clapet du logement du filtre entame un mouvement automatique de fermeture à mesure que l'on insère le filtre neuf.
5. Fermer complètement le clapet du logement du filtre pour emboîter le filtre et le mettre en place. Il faudra peut-être appuyer fortement.
6. Purger le circuit d'eau. Voir "Distributeurs d'eau et de glaçons".

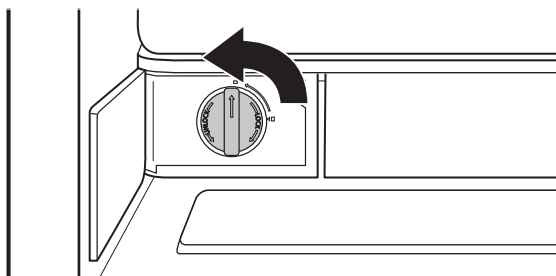
### Style 2

1. Repérer le clapet du logement du filtre à eau dans la grille de la base, le tirer pour l'ouvrir.

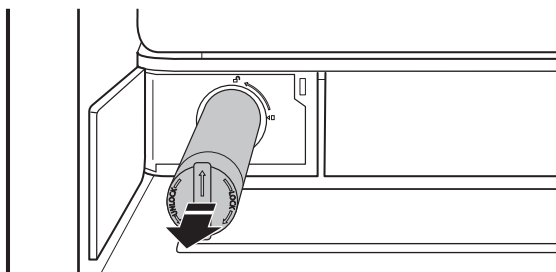


A. Clapet du logement du filtre à eau.

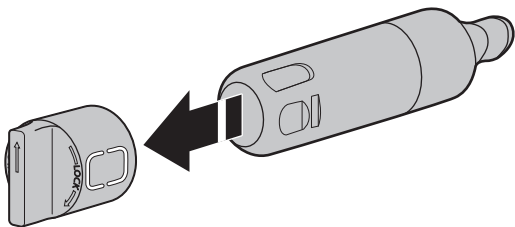
2. Faire tourner le filtre à eau de 90° dans le sens antihoraire pour le déverrouiller.



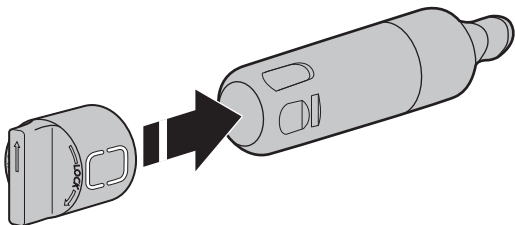
3. Retirer le filtre du compartiment.



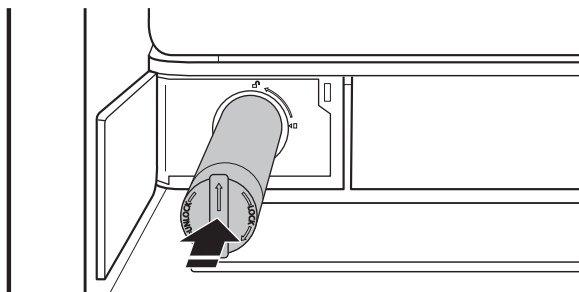
4. Retirer le capuchon du filtre à eau.



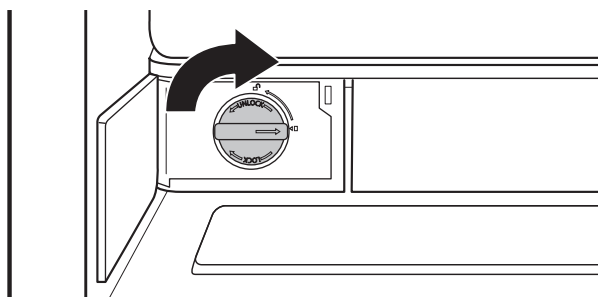
5. Installer le capuchon du filtre à eau sur le nouveau filtre. Aligner les flèches pour que les rainures du filtre s'alignent avec les nervures du capuchon.



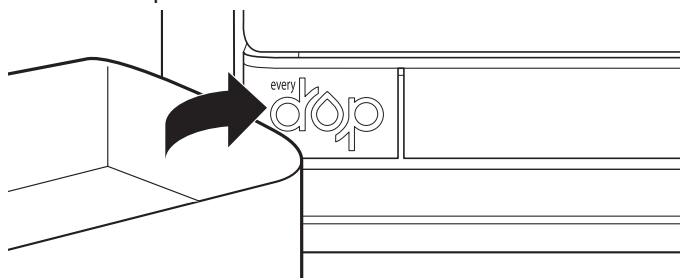
6. Placer le filtre dans le compartiment.



7. Faire tourner le filtre de 90° dans le sens horaire jusqu'à ce qu'il soit verrouillé en place et que les flèches soient alignées.



8. Refermer la porte du filtre à eau.



### Machine à glaçons et bac d'entreposage

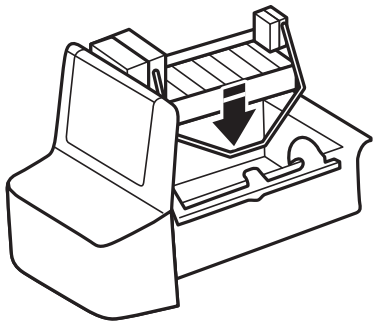
- Accorder 24 heures pour produire la première quantité de glaçons. Jeter les trois premières quantités de glaçons produites.
- La qualité des glaçons dépend de la qualité de l'eau fournie à la machine à glaçons. Éviter de brancher la machine à glaçons à un approvisionnement d'eau adoucie. Les produits chimiques adoucisseurs d'eau (tels que le sel) peuvent endommager des pièces de la machine à glaçons et être à l'origine de glaçons de piètre qualité. Si une alimentation d'eau adoucie ne peut pas être évitée, s'assurer que l'adoucisseur d'eau fonctionne bien et qu'il est bien entretenu.
- Ne pas utiliser un objet pointu pour briser les glaçons dans le bac d'entreposage. Cette action peut endommager le bac et le mécanisme du distributeur.
- Ne pas garder quoi que ce soit sur le dessus ou dans la machine à glaçons ou dans le bac à glaçons.

### Mise en marche/arrêt de la machine à glaçons

#### Style 1

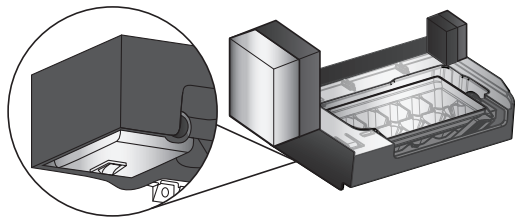
- Pour mettre en marche la machine à glaçons, ouvrir la porte de la machine à glaçons en la soulevant et abaisser le bras de commande métallique à la position ON (marche) (vers le bas).
- Pour arrêter manuellement la machine à glaçons, soulever le bras de commande métallique à la position OFF (élevée) (en haut) et attendre le déclic. Les glaçons peuvent encore être distribués, mais aucun autre glaçon ne peut être fait.

**REMARQUE :** La machine à glaçons comporte un arrêt automatique pour éviter le surremplissage du bac d'entreposage pendant un fonctionnement normal. Au fur et à mesure de la fabrication de la glace, les glaçons remplissent le bac d'entreposage de glaçons. Les glaçons soulèvent le bras de commande métallique à la position OFF (élevée) (en haut). Ne pas forcer le commutateur du bras métallique vers le haut ou vers le bas.



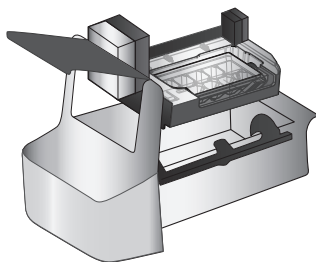
### Style 2

Le commutateur Marche/Arrêt est situé en bas de la machine à glaçons. On y accède en soulevant et en ouvrant la porte de la machine à glaçons.



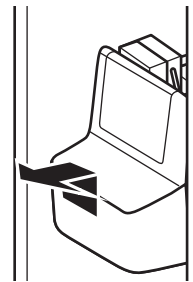
- Pour allumer la machine à glaçons, soulever pour l'ouvrir la porte de la machine à glaçons, basculer le commutateur sur la position On (Marche) (droite).
- Pour éteindre manuellement la machine à glaçons, soulever pour l'ouvrir la porte de la machine à glaçons, basculer le commutateur sur la position Off (Arrêt) (gauche). La glace peut encore être distribuée, mais rien de plus ne peut être fait.

**REMARQUE :** La machine à glaçons comporte un système d'arrêt automatique pour éviter le sur-remplissage du bac d'entreposage pendant un fonctionnement normal. Au fur et à mesure de la production de glace, les glaçons remplissent le bac d'entreposage à glaçons. Les glaçons soulèvent le bras de commande métallique jusqu'à ce qu'il atteigne la position Off (Arrêt) (bras vers le haut). Lorsque le bac d'entreposage est plein, la machine à glaçons arrête automatiquement la production de glaçons, mais le commutateur On/Off (marche/arrêt) reste à la position On (Marche) (droite).



### Retrait et réinstallation du bac à glaçons

1. Soulever la porte de la machine à glaçons et la maintenir en position ouverte.
2. Soulever le bras de commande métallique jusqu'à ce qu'il s'enclenche à la position Off (Arrêt) (élevée) ou basculer le commutateur sur la position Off (Arrêt) (gauche). Relâcher la porte de la machine à glaçons.
3. Soulever le devant du bac à glaçons et retirer le bac.



4. Replacer le bac à glaçons en le poussant complètement, sinon le distributeur ne fonctionnera pas.
5. Pour remettre en marche la production de glaçons, soulever la porte de la machine à glaçons et appuyer sur le bras de commande métallique à la position On (Marche) (vers le bas) ou basculer le commutateur sur la position On (Marche) (droite). S'assurer que la porte est hermétiquement fermée.

## CARACTÉRISTIQUES DU RÉFRIGÉRATEUR

Le modèle particulier de l'utilisateur peut avoir certaines ou toutes ces caractéristiques.

### Importants renseignements à savoir au sujet des tablettes et des couvercles en verre :

Ne pas nettoyer les tablettes ou couvercles en verre avec de l'eau tiède quand ils sont froids. Les tablettes et les couvercles peuvent se briser s'ils sont exposés à des changements soudains de température ou à un impact tel que coup brusque. Le verre trempé est conçu pour éclater en d'innombrables pièces minuscules. Ceci est normal. Les tablettes et les couvercles en verre sont lourds. Les saisir à deux mains lors de leur dépose afin d'éviter de les faire tomber.

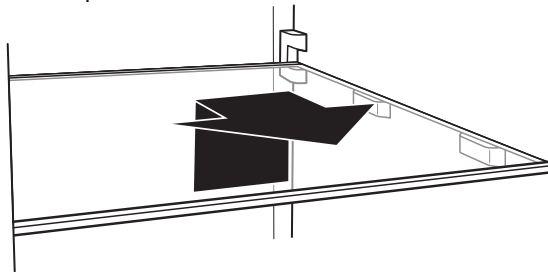
### Tablettes du réfrigérateur

#### (le nombre de tablettes varie selon le modèle)

Le remisage d'aliments semblables ensemble et le réglage des tablettes pour convenir aux différentes hauteurs réduiront le temps d'ouverture de la porte du réfrigérateur, ce qui économisera de l'énergie.

#### Pour enlever et réinstaller une tablette :

1. Soulever l'arrière de la tablette pour l'extraire des nervures. Tirer la tablette vers l'avant jusqu'à ce qu'elle soit dégagée.
2. Réinstaller la tablette en l'alignant sur les nervures. Faire glisser la tablette sur les supports de tablette. S'assurer que la tablette est bien en place.



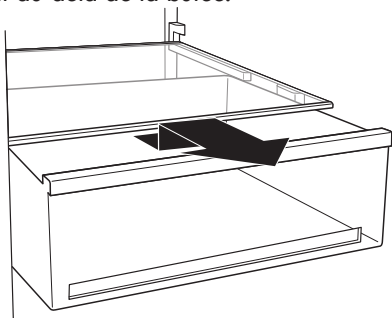
### Tiroir pour spécialités alimentaires

### (sur certains modèles)

Le tiroir pour spécialités alimentaires permet de conserver raisins secs, noix, tartinades et autres petits articles à des températures de réfrigération normales.

#### Pour retirer et réinstaller le tiroir pour spécialités alimentaires :

1. Retirer le tiroir pour spécialités alimentaires en le faisant glisser en ligne droite jusqu'à la butée. Soulever l'avant pour l'extraire des nervures. Incliner alternativement les bords du tiroir pour le retirer du compartiment de réfrigération.
2. Remettre le tiroir pour spécialités alimentaires en place en le repoussant au-delà de la butée.



#### Tiroir à légumes/viande convertible, bac à légumes et couvercles (sur certains modèles)

##### Le bac à légumes et le tiroir à légumes/viande convertible

#### Pour enlever et réinstaller les tiroirs :

1. Faire glisser le bac à légumes ou le tiroir à viande directement vers l'extérieur jusqu'à la butée. Soulever le devant du tiroir avec une main tout en supportant le fond du tiroir avec l'autre main et faire glisser le tiroir pour le sortir complètement.
2. Réinstaller le bac à légumes ou le tiroir à viande en le réinsérant complètement au-delà de la butée du tiroir.

##### Les couvercles du bac à légumes et du tiroir à légumes/viande convertible

#### Pour enlever et réinstaller les couvercles :

1. Enlever le bac à légumes et le tiroir à viande. Incliner l'avant de la tablette vers le haut et tirer pour dégager les butées des nervures. Tirer le couvercle vers l'avant pour le dégager. Répéter les étapes pour enlever le couvercle du tiroir à viande.
2. Replacer le couvercle du tiroir à viande dans les supports ou glissières des parois latérales du réfrigérateur et faire glisser le devant du cadre du couvercle en place. Répéter les étapes pour replacer le couvercle du bac à légumes.

##### Guide d'entreposage des viandes

Garder la plus grande partie des viandes dans leur emballage d'origine tant qu'il est hermétique et à l'épreuve de l'humidité. Envelopper de nouveau si nécessaire. Voir le tableau suivant pour les temps d'entreposage. Lorsque la viande doit être entreposée plus longtemps que les temps indiqués, congeler la viande.

Poisson frais ou crustacés	À utiliser le jour même de l'achat
Poulet, boeuf haché, abats comestibles (foie, etc.)	1-2 jours
Charcuterie, steaks/rôtis	3-5 jours
Viandes assaisonnées	7-10 jours
Restes - Couvrir les restes avec de la pellicule en plastique ou du papier d'aluminium ou utiliser des contenants en plastique avec couvercles hermétiques.	

#### Réglage de l'humidité dans le bac à légumes (sur certains modèles)

Il est possible de contrôler le degré d'humidité dans le bac à légumes étanche. La commande peut être ajustée à n'importe quel réglage entre FRUIT (côté gauche) et VEGETABLES (côté droit).

Fruit | | | | | | | Vegetables  
- Humidity Control +

En position FRUIT (fruits) (côté gauche) (ouvert), le réglage laisse échapper l'air humide du bac à légumes pour mieux conserver les fruits et légumes à pelures.

- Fruits : Laver, laisser sécher et garder au réfrigérateur dans un sac en plastique ou dans le bac à légumes. Ne pas laver ni équeuter les petits fruits avant le moment de leur utilisation. Répartir et garder les petits fruits dans leur contenant d'origine dans le bac à légumes ou les conserver sur une tablette du réfrigérateur dans un sac en papier fermé sans être serré.
- Légumes à pelures : Placer dans des sacs en plastique ou contenants en plastique et ranger dans le bac à légumes.

En position VEGETABLES (légumes) (côté droit) (fermé), le réglage permet de retenir l'humidité à l'intérieur du bac à légumes pour mieux conserver les légumes à feuilles frais.

- Légumes à feuilles : Laver à l'eau froide, égoutter et couper ou éliminer les sections endommagées et décolorées. Placer dans un sac ou un contenant en plastique et ranger dans le bac à légumes.

## CARACTÉRISTIQUES DU CONGÉLATEUR

Le modèle particulier de l'utilisateur peut avoir certaines ou toutes ces caractéristiques.

#### Guide d'entreposage des aliments surgelés

Les périodes de conservation varieront selon la qualité et le type des aliments, le type d'emballage ou de pellicule utilisé (hermétique et à l'épreuve de l'humidité) et la température d'entreposage. Les cristaux de glace à l'intérieur d'un emballage scellé sont normaux. Les cristaux signifient simplement que l'humidité dans les aliments et l'air à l'intérieur de l'emballage se sont condensés.

Ne pas placer plus d'aliments non congelés dans le congélateur que la quantité qui congèlera dans l'intervalle de 24 heures (pas plus de 2 à 3 lb d'aliments par pied cube d'espace dans le congélateur [907 à 1 350 g par 28 L]). Laisser assez d'espace dans le congélateur pour permettre la circulation d'air entre les emballages. S'assurer aussi de laisser assez d'espace pour que la porte se ferme hermétiquement.

Pour plus de renseignements au sujet de la préparation des aliments pour la congélation, consulter un guide pour congélateur ou un livre de recettes fiable.

## Tablette de congélateur

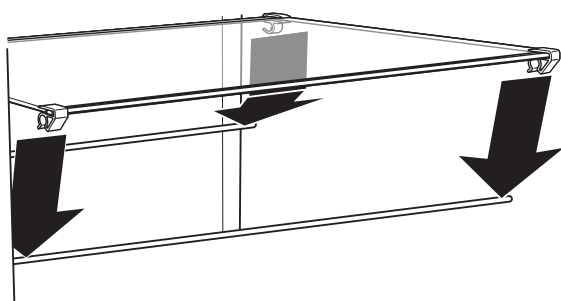
(le nombre de tablettes varie selon le modèle)

### Pour enlever et réinstaller la tablette inférieure:

1. Soulever l'avant et l'arrière de la tablette, et la retirer de la caisse. Veiller à ne pas enlever les tiges de retenue.
2. Réinstaller la tablette en alignant les tiges sur les nervures de la caisse. Appliquer une légère pression sur la tablette pour fixer les tiges sur les nervures de la caisse.

### Pour enlever et réinstaller les tablettes intermédiaire et supérieure :

1. Pousser à la main la tablette du bas vers le haut pour la dégager de la tige de maintien. Tirer la tablette pour la dégager de la tige arrière. Retirer de la caisse.
2. Pour réinstaller la tablette :
  - Remettre les tiges en place dans les trous. Appuyer sur les tiges pour qu'elles s'enclenchent dans les trous.
  - Repérer les garnitures avant et arrière de la tablette.



- Placer la garniture arrière sur la tige arrière et appuyer sur la tablette pour que la tige s'enclenche dans la garniture arrière. (Maintenir l'avant soulevé tout en poussant).
- Abaisser l'avant de la tablette jusqu'à ce que la garniture avant soit sur la tige et appuyer sur la tablette pour que la tige s'enclenche dans la garniture arrière.

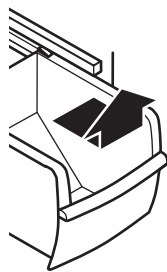
**REMARQUE :** S'assurer que les deux côtés de la tablette sont correctement positionnés dans les trous de la tablette et que la tablette est solidement fixée.

## Bac de congélation (sur certains modèles)

Le bac de congélation peut être utilisé pour garder des sacs de fruits et de légumes congelés qui peuvent glisser hors des tablettes de congélateur.

### Pour retirer et réinstaller le bac de congélation :

1. Retirer le bac en le faisant glisser vers l'extérieur jusqu'à la butée. Soulever le devant du bac et le faire glisser complètement vers l'extérieur.



2. Réinstaller le bac en le plaçant sur les tringles. Soulever légèrement l'avant du bac tout en le poussant complètement au-delà des butées.

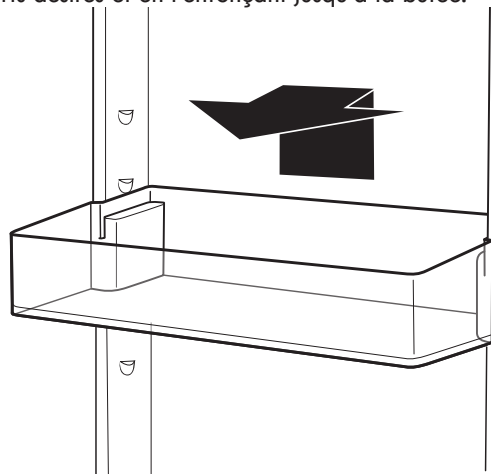
## CARACTÉRISTIQUES DE LA PORTE

Le modèle d'appareil de l'utilisateur peut avoir certaines ou toutes ces caractéristiques.

### Balconnets de porte (sur certains modèles)

#### Pour retirer et réinstaller les balconnets :

1. Retirer le balconnet en le soulevant et le tirant tout droit.
2. Réinstaller le balconnet en le glissant en place au-dessus des supports désirés et en l'enfonçant jusqu'à la butée.



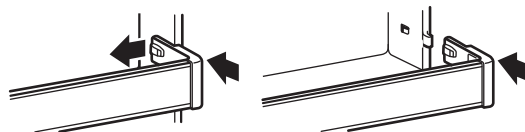
### Tringles ou balconnets de porte (sur certains modèles)

Les tringles ou balconnets de porte peuvent être enlevé(s) pour faciliter le nettoyage.

### Tringles ou balconnets emboîtables dans la porte

#### Pour retirer et réinstaller les tringles ou les balconnets :

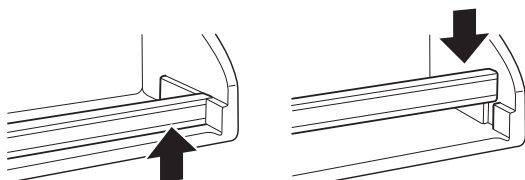
1. Retirer les tringles ou balconnets en appuyant légèrement sur le devant du support tout en tirant sur l'onglet interne. Répéter ces étapes pour l'autre extrémité de la tringle ou du balconnet.
2. Réinstaller les tringles ou balconnets en alignant les extrémités des supports avec les boutons de chaque côté de la doublure de porte. Enclencher fermement le support dans les languettes au-dessus de la tablette tel qu'indiqué.



### Tringles déposées dans la porte

#### Pour retirer et réinstaller les tringles :

1. Retirer les tringles en tirant verticalement aux deux extrémités de la tringle.
2. Réinstaller les tringles en les glissant dans les fentes de la porte et en les poussant vers le bas jusqu'à la butée.



# ENTRETIEN DU RÉFRIGÉRATEUR

## Nettoyage

### **AVERTISSEMENT**



#### Risque d'explosion

Utiliser un produit de nettoyage ininflammable.

Le non-respect de cette instruction peut causer un décès, une explosion ou un incendie.

Les sections de réfrigération et de congélation se dégivrent automatiquement. Toutefois, nettoyer les deux compartiments environ une fois par mois pour éviter une accumulation d'odeurs. Essuyer les renversements immédiatement.

#### Pour nettoyer le réfrigérateur :

1. Débrancher le réfrigérateur ou déconnecter la source decourant électrique.
2. Retirer toutes les pièces amovibles de l'intérieur, telles que les tablettes, bacs, etc.
3. Laver à la main, rincer et sécher les pièces amovibles et les surfaces internes à fond. Utiliser une éponge propre ou un linge doux et un détergent doux dans de l'eau tiède.
  - Ne pas utiliser de nettoyants abrasifs ou puissants tels que les nettoyants à vitre en atomiseurs, nettoyants à récurer, liquides inflammables, cires nettoyantes, détergents concentrés, eaux de Javel ou nettoyants contenant du pétrole sur les pièces en plastique, les garnitures intérieures, les doublures de porte ou les joints de porte. Ne pas utiliser d'essuie-tout, tampons à récurer ou autre outil de nettoyage puissant. Ces produits risquent d'égratigner ou d'endommager les matériaux.
  - Pour aider à éliminer les odeurs, on peut laver les parois intérieures avec un mélange d'eau tiède et de bicarbonate de soude (2 c. à soupe pour 1 pinte [26 g pour 0,95 L] d'eau).
4. Déterminer si le réfrigérateur a un extérieur en métal peint, un fini Ultra Satin™ (apparence inox), en aluminium brossé ou en acier inoxydable et choisir la méthode de nettoyage appropriée.

**REMARQUE :** Le fini Ultra Satin™ (apparence inox) a une couleur lisse, uniforme avec un fini brillant qui résiste aux traces de doigts. L'acier inoxydable a souvent une texture granuleuse unique avec des variations de couleur, ce qui est naturel pour l'acier.

**Métal peint :** Laver les surfaces extérieures avec une éponge propre ou un linge doux et un détergent doux dans de l'eau tiède. Ne pas utiliser de nettoyant fort ou abrasif, ni de nettoyant conçu pour l'acier inoxydable. Sécher à fond avec un linge doux. D'autre part, afin d'éviter d'endommager les parties métalliques extérieures peintes, appliquer de la cire pour appareil électroménager (ou cire en pâte pour automobiles) à l'aide d'un chiffon propre et doux. Ne pas cirer les pièces en plastique.

**Aluminium brossé :** Laver avec une éponge propre ou un linge doux et un détergent doux dans de l'eau tiède. Ne pas utiliser de nettoyant fort ou abrasif, ni de nettoyant conçu pour l'acier inoxydable. Sécher à fond avec un linge doux.

**Fini Ultra Satin™ (apparence inox) :** Laver avec une éponge propre ou un linge doux et un détergent doux dans de l'eau tiède. Ne pas utiliser de nettoyant fort ou abrasif, ni de nettoyant conçu pour l'acier inoxydable. Sécher à fond avec un linge doux.

**Fini en acier inoxydable :** Laver avec une éponge propre ou un linge doux et un détergent doux dans de l'eau tiède. Ne pas utiliser de nettoyants forts ou abrasifs. Sécher à fond avec un linge doux.

- Pour que le réfrigérateur en acier inoxydable conserve son aspect neuf et pour enlever les petites égratignures ou marques, il est suggéré d'utiliser le nettoyant et poli pour acier inoxydable approuvé par le fabricant. Pour commander le nettoyant, voir la section "Accessoires".

**IMPORTANT :** Ce nettoyant doit être utilisé sur les pièces en acier inoxydable uniquement!

- Veiller à ce que le nettoyant et poli pour acier inoxydable n'entre pas en contact avec les pièces de plastique telles que garnitures, couvercles de distributeurs ou joints de porte. En cas de contact non intentionnel, nettoyer la pièce de plastique avec une éponge et un détergent doux dans de l'eau tiède. Sécher à fond avec un linge doux.
5. Si le modèle de distributeur est doté d'un écran tactile sur le panneau de distribution, nettoyer l'écran à l'aide d'un chiffon doux et sans charpie. Mélanger un détergent doux avec de l'eau, puis utiliser ce mélange pour imbiber le chiffon et nettoyer délicatement l'écran.
    - Pour éviter de modifier involontairement les réglages, s'assurer que le réfrigérateur est débranché ou que le courant électrique est déconnecté avant d'essuyer l'écran.
    - Ne pas saturer le chiffon à l'excès. Ne pas vaporiser ni essuyer de liquides directement sur l'écran. Ne pas utiliser de nettoyants puissants ou abrasifs tels que les nettoyants à vitre en atomiseurs, nettoyants à récurer, liquides inflammables, cires nettoyantes, détergents concentrés, les dissolvants pour vernis à ongles, agents de blanchiment ou nettoyants contenant du pétrole. Ne pas utiliser d'essuie-tout, tampons à récurer ou autres outils de nettoyage abrasifs. Ces produits risquent d'égratigner ou d'endommager les matériaux.
  6. Le condenseur n'a pas besoin d'être nettoyé souvent dans des conditions de fonctionnement normales. Si l'environnement est particulièrement gras ou poussiéreux, ou s'il y a des animaux domestiques dans la maison, le condenseur devrait être nettoyé tous les deux ou trois mois pour assurer une efficacité maximum.

Si le nettoyage du condenseur s'avère nécessaire :

    - Ôter la grille de la base. Voir l'illustration de la grille de la base ou la section "Grille de la base".
    - Utiliser un aspirateur à brosse douce pour nettoyer la grille, les endroits ouverts derrière la grille et la surface à l'avant du condenseur.
    - Replacer la grille de la base une fois terminé.
  7. Brancher le réfrigérateur ou reconnecter la source de courant électrique.

## Lampes

**REMARQUE :** Le réfrigérateur ne pourra pas accommoder toutes ampoules pour appareils ménagers. S'assurer de faire le remplacement par une ampoule de grosseur et de forme semblables.

- Les lampes du distributeur sont des DEL qui ne peuvent pas être remplacées.
  - Sur certains modèles, les lampes intérieures sont des DEL qui ne peuvent pas être remplacées.
  - Sur certains modèles, les lampes intérieures nécessitent une ampoule de 40 watts.
1. Débrancher le réfrigérateur ou déconnecter la source de courant électrique.

2. Enlever le protecteur d'ampoule au besoin, tel que décrit dans les sections suivantes.

**REMARQUE :** Pour nettoyer le protecteur d'ampoule, le laver à l'eau tiède et avec un détergent liquide. Bien rincer et sécher le protecteur d'ampoule.

3. Enlever l'ampoule d'éclairage et la remplacer par une de même taille, forme et puissance.
4. Replacer le protecteur d'ampoule au besoin, comme sur l'illustration.
5. Brancher le réfrigérateur ou reconnecter la source de courant électrique.

## Pannes de courant

Si le courant électrique doit être interrompu pendant 24 heures ou moins, garder la ou les porte(s) (selon le modèle) fermée(s) pour aider les aliments à demeurer froids et congelés.

Si le courant doit être interrompu pendant plus de 24 heures, faire l'une des actions suivantes :

- Retirer tous les aliments congelés et les entreposer dans un casier frigorifique.
- Placer 2 lb (907 g) de neige carbonique dans le congélateur pour chaque pied cube (28 L) d'espace de congélation. Ceci permettra de garder les aliments congelés durant deux à quatre jours.
- Si l'on ne possède pas de casier frigorifique ni de neige carbonique, consommer ou mettre immédiatement en conserve les aliments périssables.

**À NOTER :** Un congélateur plein restera froid plus longtemps qu'un congélateur partiellement rempli. Un congélateur plein de viande demeure froid plus longtemps qu'un congélateur rempli de produits de boulangerie. Si les aliments contiennent des cristaux de glace, ils peuvent être remis à congeler même si la qualité et la saveur risquent d'être affectées. Si les aliments semblent de piètre qualité, les jeter.

## Entretien avant les vacances ou lors d'un déménagement

### Vacances

**Si l'utilisateur choisit de laisser le réfrigérateur en fonctionnement pendant son absence :**

1. Consommer tous les aliments périssables et congeler les autres.
2. Si le réfrigérateur comporte une machine à glaçons automatique et qu'il est raccordé à la source d'approvisionnement en eau du domicile, fermer la source d'approvisionnement en eau du réfrigérateur. Des dommages matériels peuvent survenir si l'alimentation en eau n'est pas coupée.

3. Si la machine à glaçons est automatique, éteindre la machine à glaçons.

**REMARQUE :** Selon le modèle, soulever le bras de commande métallique à la position Off (arrêt) (position élevée) ou placer le commutateur sur Off (arrêt) (gauche).

4. Vider le bac à glaçons.

**Si l'utilisateur choisit d'arrêter le réfrigérateur avant son départ :**

1. Enlever tous les aliments du réfrigérateur.
2. Si le réfrigérateur a une machine à glaçons automatique :
  - Fermer l'approvisionnement en eau de la machine à glaçons au moins une journée à l'avance.
  - Lorsque la dernière quantité de glaçons est distribuée, soulever le bras de commande métallique à la position Off (arrêt) (position élevée) ou déplacer le commutateur à la position Off (arrêt).
3. Débrancher le réfrigérateur.
4. Nettoyer, essuyer et sécher à fond.
5. À l'aide de ruban adhésif, placer des blocs de caoutchouc ou de bois sur la partie supérieure de chaque porte de façon à ce qu'elles soient suffisamment ouvertes pour permettre l'entrée de l'air à l'intérieur, afin d'éviter l'accumulation d'odeur ou de moisissure.

## Déménagement

En cas de déménagement et de déplacement du réfrigérateur vers une nouvelle habitation, suivre ces étapes pour préparer le déménagement.

1. Si le réfrigérateur a une machine à glaçons automatique :
  - Fermer l'approvisionnement d'eau de la machine à glaçons au moins une journée à l'avance.
  - Débrancher la canalisation d'eau de l'arrière du réfrigérateur.
  - Lorsque la dernière quantité de glaçons est distribuée, soulever le bras de commande métallique à la position Off (arrêt) (position élevée) ou déplacer le commutateur à la position Off (arrêt).
2. Retirer tous les aliments du réfrigérateur et placer tous les aliments congelés dans de la neige carbonique.
3. Vider le bac à glaçons.
4. Débrancher le réfrigérateur.
5. Nettoyer, essuyer et sécher à fond.
6. Retirer toutes les pièces amovibles, bien les envelopper et les attacher ensemble à l'aide de ruban adhésif pour qu'elles ne bougent pas ni ne s'entrechoquent durant le déménagement.
7. Selon le modèle, soulever le devant du réfrigérateur pour qu'il roule plus facilement ou rétracter les pieds de nivellement pour qu'ils n'égratignent pas le plancher. Voir "Ajustement des portes" ou "Retrait, réglage de l'aplomb et alignement des portes".
8. Fermer les portes à l'aide de ruban adhésif et fixer le cordon d'alimentation électrique au dos du réfrigérateur à l'aide de ruban adhésif.

Une fois déménagé dans le nouveau domicile, remettre tout en place et consulter les instructions d'installation pour des instructions sur la préparation de l'appareil. Aussi, si le réfrigérateur a une machine à glaçons automatique, ne pas oublier de raccorder l'approvisionnement en eau au réfrigérateur.

# DÉPANNAGE

Essayer d'abord les solutions suggérées ici ou visiter notre site Internet pour tenter d'éviter le coût d'une intervention de dépannage.

## ⚠ AVERTISSEMENT



### Risque de choc électrique

Brancher sur une prise à 3 alvéoles reliée à la terre.

Ne pas enlever la broche de liaison à la terre.

Ne pas utiliser un adaptateur.

Ne pas utiliser un câble de rallonge.

Le non-respect de ces instructions peut causer un décès, un incendie ou un choc électrique.

## UTILISATION GÉNÉRALE

## Causes possibles et/ou solutions recommandées

### Le réfrigérateur ne fonctionne pas

- **Non raccordé à une alimentation électrique** - Brancher le cordon d'alimentation dans une prise à 3 alvéoles reliée à la terre. Ne pas utiliser de cordon de rallonge.
  - **Pas de courant dans la prise électrique** - Brancher une lampe pour voir si la prise électrique fonctionne.
  - **Un fusible est grillé ou un disjoncteur s'est ouvert** - Remplacer le fusible ou réenclencher le disjoncteur. Si le problème persiste, contacter un électricien agréé.
  - **Nouvelle installation** - Attendre 24 heures après l'installation pour permettre au réfrigérateur et au congélateur de refroidir complètement.
- REMARQUE :** Le fait de placer la/les commande(s) de température au réglage le plus froid ne refroidira pas le compartiment (de réfrigération ou de congélation) plus rapidement.

### Le moteur semble fonctionner excessivement

- **Le nouveau réfrigérateur comporte un moteur haute efficacité** - Il est possible qu'il fonctionne plus longtemps que l'appareil précédent car le compresseur et les ventilateurs fonctionnent à des vitesses réduites plus éconergiques. Ceci est normal.
- REMARQUE :** L'appareil peut fonctionner encore plus longtemps si la température de la pièce est élevée, si une grande quantité de nourriture a été ajoutée, si les portes sont fréquemment ouvertes ou si elles ont été laissées ouvertes.

### Le réfrigérateur semble bruyant

- Le compresseur du nouveau réfrigérateur régule la température plus efficacement et utilise moins d'énergie que les modèles plus anciens. Au cours de différentes étapes du fonctionnement de l'appareil, il se peut que l'on entende des bruits de fonctionnement normaux qui ne sont pas familiers.
- Les bruits suivants sont normaux :**
- **Bourdonnement/Cliquetis** - Se produit lorsque le robinet d'eau s'ouvre et se referme pour distribuer de l'eau ou remplir la machine à glaçons. Si le réfrigérateur est raccordé à une canalisation d'arrivée d'eau, cela est normal. Éteindre la machine à glaçons si le réfrigérateur n'est pas raccordé à une canalisation d'arrivée d'eau.
  - **Craquement/Écrasement** - Se produit lorsque la glace est éjectée du moule à glaçons.
  - **Bruit d'éclatement** - Se produit lors de la contraction/l'expansion des parois internes, particulièrement lors du refroidissement initial.
  - **Pulsation/Frottement rythmique** - Se produit lorsque les ventilateurs/le compresseur s'ajustent pour optimiser la performance de l'appareil pendant son fonctionnement - cela est normal.
  - **Vibrations sonores** - Se produit lorsque l'eau circule dans la canalisation d'arrivée d'eau ou lorsque le réfrigérant circule dans l'appareil. Les vibrations peuvent aussi provenir d'objets posés sur le réfrigérateur.
  - **Bruit d'écoulement d'eau ou de gargouillement** - Se produit lorsque la glace fond lors du programme de dégivrage et que l'eau s'écoule dans le plateau de dégivrage.
  - **Grésillement** - Se produit à mesure que de l'eau goutte sur l'élément de chauffage durant le programme de dégivrage.

## UTILISATION GÉNÉRALE

## Causes possibles et/ou solutions recommandées

<p><b>La température est trop élevée</b></p>	<ul style="list-style-type: none"> <li>■ <b>Nouvelle installation</b> - Attendre 24 heures après l'installation pour permettre au réfrigérateur et au congélateur de refroidir complètement. <b>REMARQUE</b> : Le fait de placer la/les commande(s) de température au réglage le plus froid ne refroidira pas le compartiment (de réfrigération ou de congélation) plus rapidement.</li> <li>■ <b>Les portes sont ouvertes trop fréquemment ou ne sont pas complètement fermées</b> - Ceci permet à l'air chaud de pénétrer dans le réfrigérateur. Minimiser les ouvertures de porte, garder les portes complètement fermées et s'assurer que l'étanchéité des deux portes est assurée.</li> <li>■ <b>Les ouvertures d'aération sont obstruées</b> - Retirer les objets placés devant les ouvertures.</li> <li>■ <b>Une grande quantité d'aliments chauds a été récemment ajoutée</b> - Attendre quelques heures pour permettre au réfrigérateur de revenir à une température normale.</li> <li>■ <b>Le réglage des commandes n'est pas adapté à l'environnement de l'appareil</b> - Ajuster les commandes à un réglage plus froid. Contrôler à nouveau la température 24 heures plus tard.</li> </ul>
<p><b>La température est trop basse</b></p>	<ul style="list-style-type: none"> <li>■ <b>Le réglage des commandes n'est pas adapté à l'environnement de l'appareil</b> - Ajuster les commandes à un réglage plus chaud. Contrôler à nouveau la température 24 heures plus tard.</li> <li>■ <b>La tablette supérieure du réfrigérateur est plus froide que les tablettes inférieures</b> - Sur certains modèles, l'air en provenance du congélateur pénètre dans le compartiment de réfrigération par les événements situés à proximité de la tablette supérieure. La tablette supérieure peut donc être légèrement plus froide que les tablettes inférieures.</li> <li>■ <b>Les ouvertures d'aération sont obstruées</b> - Retirer les objets placés devant les ouvertures.</li> </ul>
<p><b>Accumulation d'humidité à l'intérieur de l'appareil</b></p>	<p><b>REMARQUE</b> : Une certaine accumulation d'humidité est normale. Nettoyer avec un linge doux et sec.</p> <ul style="list-style-type: none"> <li>■ <b>La pièce est humide</b> - Un environnement humide contribue à l'accumulation d'humidité. Utiliser le réfrigérateur à l'intérieur du domicile uniquement, dans un environnement aussi sec que possible.</li> <li>■ <b>Les portes sont fréquemment ouvertes ou ne sont pas complètement fermées</b> - Ceci permet à l'air humide de pénétrer dans le réfrigérateur. Minimiser les ouvertures de porte, garder les portes complètement fermées et s'assurer que l'étanchéité des deux portes est assurée.</li> </ul>
<p><b>Les lampes intérieures ne fonctionnent pas</b></p>	<ul style="list-style-type: none"> <li>■ <b>Les portes sont restées ouvertes pendant longtemps</b> - Fermer les portes pour réinitialiser les lampes.</li> <li>■ <b>Une ampoule est desserrée dans la douille ou grillée</b> - Sur les modèles possédant des ampoules intérieures à incandescence, serrer ou remplacer l'ampoule. Voir "Lampes".</li> </ul> <p><b>REMARQUE</b> : Sur les modèles équipés de témoins DEL, composer les numéros fournis pour obtenir de l'aide ou un dépannage si les lampes intérieures ne s'allument pas lorsqu'on ouvre l'une des portes. Voir la garantie dans les instructions d'utilisation ou le guide d'utilisation pour savoir qui contacter.</p>
<p><b>Les lampes du distributeur ne fonctionnent pas (sur certains modèles)</b></p>	<ul style="list-style-type: none"> <li>■ <b>La lampe du distributeur est éteinte</b> - Sur certains modèles, si la lampe du distributeur est réglée à Off (arrêt), elle ne fonctionne que si l'on appuie sur le levier/la plaque du distributeur. Si l'on souhaite que la lampe du distributeur reste allumée continuellement, sélectionner un autre réglage. Voir "Distributeurs d'eau et de glaçons" dans les instructions d'utilisation ou le guide d'utilisation.</li> <li>■ <b>La lampe du distributeur est réglée au mode Auto ou Night Light (veilleuse)</b> - Sur certains modèles, si la lampe du distributeur est réglée au mode Auto ou Night Light (veilleuse), s'assurer que le détecteur de lumière du distributeur n'est pas obstrué. Voir "Distributeurs d'eau et de glaçons" dans les instructions d'utilisation ou le guide d'utilisation.</li> </ul> <p><b>REMARQUE</b> : Sur les modèles équipés de témoins DEL, composer les numéros fournis pour obtenir de l'aide ou un dépannage si les témoins lumineux du distributeur ne fonctionnent pas correctement. Voir la garantie dans les instructions d'utilisation ou le guide d'utilisation pour savoir qui contacter.</p>

## AVERTISSEMENT



### Risque d'explosion

Utiliser un produit de nettoyage ininflammable.

Le non-respect de cette instruction peut causer un décès, une explosion ou un incendie.

PORTES ET NIVELLEMENT	Causes possibles et/ou solutions recommandées
Les portes sont difficiles à ouvrir	<ul style="list-style-type: none"> <li>■ <b>Les joints sont sales ou collants</b> - Nettoyer les joints et les surfaces de contact au savon doux et à l'eau tiède. Rincer et sécher avec un linge doux.</li> </ul>
Les portes ne ferment pas complètement	<ul style="list-style-type: none"> <li>■ <b>La porte est bloquée en position ouverte</b> - Déplacer les aliments sous emballage pour dégager la porte. S'assurer que tous les balconnets et tablettes sont correctement installés. Vérifier que tous les matériaux d'emballage ont été retirés.</li> </ul>
Les portes semblent mal alignées	<ul style="list-style-type: none"> <li>■ <b>L'alignement des portes ou le nivellement du réfrigérateur doit être réalisé</b> - Voir les instructions concernant le nivellement de l'appareil et l'alignement des portes.</li> </ul>
Le réfrigérateur branle et n'est pas stable	<ul style="list-style-type: none"> <li>■ <b>Le réfrigérateur n'est pas d'aplomb</b> - Pour stabiliser le réfrigérateur, retirer la grille de la base et abaisser les pieds de nivellement jusqu'à ce qu'ils touchent le plancher. Voir les instructions concernant le nivellement de l'appareil et l'alignement des portes.</li> </ul>

**⚠ AVERTISSEMENT**



**Risque de coupure**

Utiliser un verre robuste pour prendre des glaçons.

Le non-respect de cette instruction peut causer des coupures.

GLAÇONS ET EAU	Causes possibles et/ou solutions recommandées
La machine à glaçons ne produit pas ou produit trop peu de glaçons, ou les glaçons produits sont petits/creux	<ul style="list-style-type: none"> <li>■ <b>Le réfrigérateur n'est pas raccordé à une alimentation en eau ou le robinet d'arrêt d'eau n'est pas complètement ouvert</b> - Raccorder le réfrigérateur à une alimentation en eau et s'assurer que le robinet d'arrêt est complètement ouvert.</li> <li>■ <b>La canalisation d'alimentation en eau est déformée</b> - Une déformation de la canalisation d'alimentation en eau peut réduire le débit de l'eau, réduire la vitesse de production des glaçons, entraîner la production de glaçons de petite taille et/ou creux, ou encore de forme irrégulière. Redresser la canalisation d'eau.</li> <li>■ <b>La machine à glaçons n'est pas allumée</b> - Mettre en marche la machine à glaçons. Voir "Machine à glaçons et bac d'entreposage" dans les instructions d'utilisation ou le guide d'utilisation.</li> <li>■ <b>Nouvelle installation</b> - Après avoir raccordé le réfrigérateur à une source d'alimentation en eau, vidanger le système d'eau. (Voir "Distributeurs d'eau et de glaçons".) Attendre 24 heures pour que la production de glaçons commence. Attendre 72 heures pour que la production de glaçons soit complète. Jeter les trois premiers lots de glaçons produits.</li> <li>■ <b>Une grande quantité de glaçons a été récemment prélevée</b> - Accorder suffisamment de temps à la machine à glaçons pour produire plus de glaçons.</li> <li>■ <b>Un glaçon est coincé dans le bras éjecteur de la machine à glaçons</b> - Retirer le glaçon du bras éjecteur avec un ustensile en plastique.</li> <li>■ <b>Pression en eau inadéquate</b> - Vérifier que la pression en eau du domicile est adéquate. Voir "Spécifications de l'alimentation en eau".</li> <li>■ <b>Le filtre à eau est mal installé</b> - S'assurer que le filtre est correctement installé. Voir "Système de filtration de l'eau" dans les instructions d'utilisation ou le guide d'utilisation.</li> <li>■ <b>Un système de filtration de l'eau par osmose inverse est raccordé à l'alimentation en eau froide</b> - Ceci peut réduire la pression de l'eau. Voir "Spécifications de l'alimentation en eau".</li> </ul> <p><b>REMARQUE :</b> Pour d'autres questions concernant la pression de l'eau, contacter un plombier agréé qualifié.</p>

**GLAÇONS ET EAU****Causes possibles et/ou solutions recommandées****Le distributeur de glaçons ne fonctionne pas correctement**

- **Les portes ne ferment pas complètement** - S'assurer que les deux portes sont bien fermées. (Sur certains modèles, seule la porte du congélateur doit être fermée pour pouvoir utiliser le distributeur.)
- **Nouvelle installation** - Après avoir raccordé le réfrigérateur à une source d'alimentation en eau, vidanger le système d'eau. (Voir "Distributeurs d'eau et de glaçons" dans les instructions d'utilisation ou le guide d'utilisation.) Attendre 24 heures pour que la production de glaçons commence. Attendre 72 heures pour que la production de glaçons soit complète. Jeter les trois premiers lots de glaçons produits.
- **La machine à glaçons n'est pas allumée ou le bac à glaçons n'est pas bien installé** - Mettre en marche la machine à glaçons et s'assurer que le bac d'entreposage à glaçons est fermement en place. Voir "Machine à glaçons et bac d'entreposage" dans les instructions d'utilisation ou le guide d'utilisation.
- **Des glaçons sont agglomérés à l'intérieur du bac d'entreposage à glaçons, ou ils obstruent la goulotte de distribution de glaçons** - Retirer ou séparer les glaçons agglomérés à l'aide d'un ustensile en plastique si nécessaire. Nettoyer la goulotte de distribution des glaçons et le fond du bac d'entreposage à glaçons à l'aide d'un chiffon tiède et humide puis sécher soigneusement ces deux sections. Pour éviter toute agglomération de glaçons et maintenir un approvisionnement frais en glaçons, vider le bac d'entreposage à glaçons et nettoyer à la fois le bac d'entreposage et la goulotte de distribution toutes les 2 semaines.
- **Les glaçons placés dans le bac d'entreposage ne conviennent pas** - Utiliser uniquement des glaçons produits par la machine à glaçons actuelle.
- **Le distributeur est verrouillé** - Déverrouiller le distributeur. Voir "Distributeurs d'eau et de glaçons" dans les instructions d'utilisation ou le guide d'utilisation.
- **Le distributeur à glaçons s'est bloqué pendant qu'il distribuait de la glace concassée** - Pour les modèles comprenant un bac d'entreposage à glaçons dans la porte, pour éliminer l'obstruction, passer temporairement de la glace concassée au mode glaçons.
- **On a appuyé sur la plaque/le levier du distributeur pendant trop longtemps** - Les glaçons cessent automatiquement d'être distribués. Attendre quelques minutes pour que le distributeur soit réinitialisé et reprenne ensuite la distribution. Prendre de grandes quantités de glaçons directement du bac d'entreposage à glaçons et non depuis le distributeur.
- **La pression en eau du domicile est inférieure à 30 lb/po<sup>2</sup> (207 kPa)** - La pression de l'eau du domicile affecte le débit au niveau du distributeur. Voir "Spécifications de l'alimentation en eau".
- **Le filtre à eau est obstrué ou mal installé** - Remplacer le filtre ou le réinstaller correctement. Voir "Système de filtration de l'eau" dans les instructions d'utilisation ou le guide d'utilisation.

**Mauvais goût, odeur ou couleur grisâtre des glaçons ou de l'eau**

- **Raccords de plomberie neufs** - Des raccords de plomberie neufs peuvent entraîner une décoloration ou un mauvais goût des glaçons ou de l'eau. Ce problème devrait disparaître avec le temps.
- **Les glaçons ont été entreposés pendant trop longtemps** - Jeter les glaçons et laver le bac à glaçons. Accorder 24 heures à la machine à glaçons pour la fabrication de nouveaux glaçons.
- **L'odeur de certains aliments s'est transférée à l'eau ou aux glaçons** - Utiliser des emballages hermétiques et à l'épreuve de l'humidité pour conserver les aliments.
- **Utilisation d'une canalisation d'alimentation en eau non recommandée** - L'odeur et le goût de certains matériaux utilisés dans des canalisations d'alimentation en eau non recommandées peuvent se transférer à l'eau. Utiliser uniquement une canalisation d'alimentation en eau recommandée. Voir "Spécifications de l'alimentation en eau".
- **L'eau contient des minéraux (tels le soufre)** - L'installation d'un filtre à eau peut être requise afin d'enlever ces minéraux.
- **Le filtre à eau a été récemment installé ou remplacé** - Une décoloration grise ou foncée de la glace ou de l'eau indique que le système de filtration de l'eau nécessite un rinçage supplémentaire. Voir "Distributeurs d'eau et de glaçons" dans les instructions d'utilisation ou le guide d'utilisation.

GLAÇONS ET EAU	Causes possibles et/ou solutions recommandées
<b>Le distributeur d'eau ne fonctionne pas correctement</b>	<ul style="list-style-type: none"> <li>■ <b>Les portes ne ferment pas complètement</b> - S'assurer que les deux portes sont bien fermées. (Sur certains modèles, seule la porte du congélateur doit être fermée pour pouvoir utiliser le distributeur.)</li> <li>■ <b>Le réfrigérateur n'est pas raccordé à une alimentation en eau ou le robinet d'arrêt d'eau n'est pas ouvert</b> - Raccorder le réfrigérateur à une alimentation en eau et s'assurer que le robinet d'arrêt est complètement ouvert.</li> <li>■ <b>La canalisation d'alimentation en eau est déformée</b> - Une déformation de la canalisation d'alimentation en eau peut réduire le débit du distributeur. Redresser la canalisation d'eau.</li> <li>■ <b>La pression en eau du domicile est inférieure à 30 lb/po<sup>2</sup> (207 kPa)</b> - La pression de l'eau du domicile affecte le débit au niveau du distributeur. Voir "Spécifications de l'alimentation en eau".</li> <li>■ <b>Nouvelle installation</b> - Après avoir raccordé le réfrigérateur à une source d'alimentation en eau, vidanger le système d'eau. Voir "Distributeurs d'eau et de glaçons".</li> <li>■ <b>Le distributeur est verrouillé</b> - Déverrouiller le distributeur. Voir "Distributeurs d'eau et de glaçons" dans les instructions d'utilisation ou le guide d'utilisation.</li> <li>■ <b>Le filtre à eau est obstrué ou mal installé</b> - Remplacer le filtre ou le réinstaller correctement. Voir "Système de filtration de l'eau" dans les instructions d'utilisation ou le guide d'utilisation.</li> <li>■ <b>Un système de filtration de l'eau par osmose inverse est raccordé à l'alimentation en eau froide</b> - Ceci peut réduire la pression de l'eau. Voir "Spécifications de l'alimentation en eau".</li> </ul> <p><b>REMARQUE</b> : Pour d'autres questions concernant la pression de l'eau, contacter un plombier agréé qualifié.</p>
<b>De l'eau suinte ou goutte du distributeur</b>	<p><b>REMARQUE</b> : Il est normal que quelques gouttes s'écoulent de la machine après que l'on a distribué de l'eau.</p> <ul style="list-style-type: none"> <li>■ <b>On n'a pas gardé le verre sous le distributeur pendant suffisamment longtemps</b> - Maintenir le verre sous le distributeur pendant 2 à 3 secondes après avoir relâché le levier/la plaque du distributeur.</li> <li>■ <b>L'installation est neuve, le filtre à eau a été récemment installé ou changé</b> - De l'air piégé dans les canalisations peut faire goutter le distributeur d'eau. Rincer le système de distribution d'eau pour évacuer l'air des canalisations. Voir "Distributeurs d'eau et de glaçons" dans les instructions d'utilisation ou le guide d'utilisation.</li> <li>■ <b>De la glace restée dans la goulotte du distributeur fond</b> - S'assurer qu'il n'y a aucun copeau ou morceau de glace dans la goulotte à glaçons.</li> </ul>
<b>De l'eau fuit par l'arrière du réfrigérateur</b>	<ul style="list-style-type: none"> <li>■ <b>Les raccords des canalisations d'eau ne sont pas bien serrés</b> - S'assurer que tous les raccords sont bien serrés. Voir "Raccordement de la canalisation d'eau".</li> </ul>
<b>L'eau du distributeur n'est pas assez froide (sur certains modèles)</b>	<p><b>REMARQUE</b> : L'eau du distributeur est refroidie à 50 °F (10 °C).</p> <ul style="list-style-type: none"> <li>■ <b>Nouvelle installation</b> - Attendre 24 heures après l'installation pour que l'alimentation en eau refroidisse complètement.</li> <li>■ <b>Une grande quantité d'eau a été récemment versée</b> - Attendre 24 heures pour qu'une nouvelle réserve d'eau refroidisse complètement.</li> <li>■ <b>On n'a pas versé d'eau récemment</b> - Le premier verre d'eau ne sera peut-être pas froid. Jeter le premier verre d'eau distribué.</li> <li>■ <b>Le réfrigérateur n'est pas raccordé à une canalisation d'arrivée d'eau froide</b> - S'assurer que le réfrigérateur est raccordé à une canalisation d'arrivée d'eau froide. Voir "Spécifications de l'alimentation en eau".</li> </ul>
<b>L'interface utilisateur ne répond pas</b>	<ul style="list-style-type: none"> <li>■ <b>L'interface utilisateur a été sélectionnée trop rapidement</b> - Attendre 10 secondes avant d'appuyer sur une touche quelconque.</li> <li>■ <b>Interface utilisateur en mode de verrouillage</b> - Appuyez sur LOCK (verrouillage) pendant 3 secondes pour quitter le mode de verrouillage.</li> </ul>

## ACCESSOIRES

### Pièces de rechange :

Pour commander le nettoyant pour acier inoxydable ou des filtres de rechange, composer le 1-800-4-MY-HOME® et demander le numéro de pièce indiqué ci-dessous ou contacter le marchand Kenmore autorisé.

### Nettoyant et poli pour acier inoxydable :

Commander la pièce N° D22 M40083 R

### Filtre à eau :

Commander la pièce No. 9081

# FEUILLE DE DONNÉES SUR LA PERFORMANCE

## Système de filtration d'eau intérieur Modèle P8WB2L/P8RFWB2L /Capacité : 200 gallons (757 litres)



Système testé et certifié par NSF International en vertu de la norme NSF/ANSI 42, de la norme NSI 53 et de la norme 401 pour la réduction des substances énumérées ci-dessous.

Ce produit a été testé selon les normes NSF/ANSI 42, 53 et 401 pour la réduction des substances énumérées ci-dessous. La concentration des substances indiquées dans l'eau entrant dans le système a été réduite à une concentration moindre ou égale à la limite permmissible pour l'eau qui quitte le système, tel que spécifié dans les normes NSF/ANSI 42, 53 et 401.

Réd. de substances Effets esthétiques	Concentration dans l'eau à traiter	Limite permmissible de concentration du produit dans l'eau	% de réd. moyenne
Goût/odeur de chlore Particules (classe I*)	2,0 mg/L ± 10 % Au moins 10 000 particules/mL	50 % réduction 85 % réduction	97,0 % >99,9 %
Réduction de contaminant	Concentration dans l'eau à traiter	Limite permmissible de concentration du produit dans l'eau	% de réd. moyenne
Plomb : à pH 6,5 / à pH 8,5	0,15 mg/L ± 10 %	0,010 mg/L	>99,3 % / 98,6 %
Benzène	0,015 mg/L ± 10 %	0,005 mg/L	93,8 %
p-dichlorobenzène	0,225 mg/L ± 10 %	0,075 mg/L	99,8 %
Carbofuran	0,08 mg/L ± 10 %	0,040 mg/L	81,9 %
Toxaphène	0,015 ± 10 %	0,003 mg/L	>95 %
Atrazine	0,009 mg/L ± 10 %	0,003 mg/L	87,0 %
Asbestos	10* à 10 <sup>8</sup> fibres/L <sup>††</sup>	99 %	>99 %
Kystes opérationnels <sup>†</sup>	50,000/L min.	99,95 %	>99,99 %
Turbidité	11 uTN ± 10 %	0,5 uTN	96,9 %
Lindane	0,002 ± 10 %	0,0002 mg/L	>99,2 %
Tétrachloroéthylène	0,015 mg/L ± 10 %	0,005 mg/L	>96,6 %
O-dichlorobenzène	1,8 mg/L ± 10 %	0,60 mg/L	92,3 %
Éthylbenzène	2,1 mg/L ± 10 %	0,70 mg/L	86,9 %
1,2,4-Trichlorobenzène	0,210 mg/L ± 10 %	0,07 mg/L	>99,8 %
2,4 - D	0,210 mg/L ± 10 %	0,07 mg/L	88,5 %
Styrène	2,0 mg/L ± 10 %	0,1 mg/L	99,6 %
Toluène	3,0 mg/L ± 10 %	1,0 mg/L	93,5 %
Endrine	0,006 mg/L ± 10 %	0,002 mg/L	81,7 %
Atenolol	200 ± 20 %	30 ng/L	95,7 %
Triméthoprim	140 ± 20 %	20 ng/L	96,1 %
Linuron	140 ± 20 %	20 ng/L	96,3 %
Estrone	140 ± 20 %	20 ng/L	95,3 %
Nonylphénol	1400 ± 20 %	200 ng/L	95,5 %

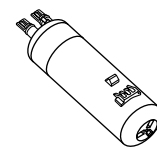
Paramètres de test : pH = 7,5 ± 0,5 à moins d'indications contraires. Débit = 0,75 gpm (2,84 Lpm). Pression = 60 lb/po<sup>2</sup> (413,7 kPa).  
Température = 68 °F à 71,6 °F (20 °C à 22 °C). Capacité de service nominale = 200 gallons (757 litres).

Les composés certifiés en vertu de la norme NSF 401 sont considérés comme appartenant à la catégorie des "composés émergents/contaminants secondaires". Les "composés émergents/contaminants secondaires" sont des composés qui ont été détectés à de faibles concentrations dans des sources d'approvisionnement en eau potable; même s'ils n'apparaissent qu'à de faibles concentrations, ces composés peuvent influencer la perception et le niveau d'acceptation de la qualité de l'eau potable par le public.

- Il est essentiel que les exigences de fonctionnement, d'entretien et de remplacement de filtre soient respectées pour que ce produit donne le rendement annoncé. Des dommages matériels peuvent survenir si toutes les instructions ne sont pas respectées.
- La cartouche jetable doit être remplacée tous les 6 mois au plus tard.
- Utiliser le filtre de rechange P8RFWB2L, référence EDR1RXD1/EDR1RXD1B. Prix suggéré au détail en 2015 de 49,99 \$ US/49,99 \$ CAN. Les prix peuvent être modifiés sans préavis.
- Le système de contrôle du filtre mesure la quantité d'eau qui passe par le filtre et vous alerte lorsqu'il faut remplacer le filtre. Consulter les sections "Utilisation des commandes" ou "Système de filtration d'eau" (dans les instructions d'utilisation ou le Guide d'utilisation) pour savoir comment vérifier l'état du filtre à eau.
- Après avoir remplacé le filtre à eau, purger le système d'eau. Voir "Distributeurs d'eau et de glaçons" ou "Distributeurs d'eau" dans les instructions d'utilisation ou le guide d'utilisation.
- Ces contaminants ne sont pas nécessairement présents dans votre approvisionnement en eau. Même si le test a été effectué dans des conditions de laboratoire standard, le rendement réel peut varier.
- Le produit ne doit être utilisé que pour l'eau froide.
- Le circuit d'eau doit être installé conformément aux lois et règlements locaux et à ceux de l'État concerné.
- Ne pas utiliser pour le filtrage d'une eau microbiologiquement polluée ou de qualité inconnue en l'absence d'un dispositif de désinfection adéquat avant ou après le système. Les systèmes certifiés pour la réduction de kyste peuvent être utilisés pour l'eau désinfectée qui peut contenir des kystes filtrables. EPA Est. No. 082047-TWN-001
- Veuillez vous référer à la section "Garantie" (dans les instructions d'utilisation ou le guide d'utilisation) pour la garantie limitée, le nom et le numéro de téléphone du fabricant.

### Directives d'application/Paramètres d'approvisionnement en eau

Approvisionnement en eau	Collectivité ou puits
Pression de l'eau	30 - 120 lb/po <sup>2</sup> (207 - 827 kPa)
Température de l'eau	33 ° - 100 °F (0,6 ° - 37,8 °C)
Débit nominal	0,75 gpm (2,84 L/m) à 60 lb/po <sup>2</sup>



\*Classe I - taille des particules : > 0,5 à <1 µm

<sup>†</sup>Cas de la filtration de kystes de *Cryptosporidium parvum*.

<sup>††</sup>Fibres de longueur supérieure à 10 µm

© NSF est une marque déposée de NSF International.

# Kenmore®

## Customer Care Hotline

To schedule repair service or order parts

Para pedir servicio o ordenar piezas

# 1-844-553-6667

[www.kenmore.com](http://www.kenmore.com)

For service in Canada Au Canada pour service

# 1-800-469-4663

