

# INSTALLATION INSTRUCTIONS

## Commercial Stacked Dryer Gas (120 V, 60 Hz) or Electric (120/240 V, 60 Hz)

---

### TABLE OF CONTENTS

<b>DRYER SAFETY .....</b>	<b>2</b>
<b>TOOLS &amp; PARTS .....</b>	<b>5</b>
<b>DIMENSIONS/CLEARANCES .....</b>	<b>6</b>
<b>LOCATION REQUIREMENTS .....</b>	<b>7</b>
<b>GAS DRYER ELECTRICAL REQUIREMENTS .....</b>	<b>8</b>
<b>GAS REQUIREMENTS .....</b>	<b>9</b>
<b>ELECTRIC DRYER ELECTRICAL REQUIREMENTS (U.S.A. ONLY) .....</b>	<b>10</b>
<b>DRYER VENTING REQUIREMENTS .....</b>	<b>12</b>
<b>INSTALLING LEVELING LEGS .....</b>	<b>15</b>
<b>LEVELING .....</b>	<b>16</b>
<b>GAS SUPPLY CONNECTION .....</b>	<b>16</b>
<b>ELECTRIC DRYER ELECTRICAL CONNECTIONS (FOR U.S.A. ONLY) .....</b>	<b>18</b>
<b>COMPLETE INSTALLATION .....</b>	<b>24</b>
<b>REVERSING DRYER DOOR SWING (OPTIONAL) .....</b>	<b>25</b>
<b>MAINTENANCE INSTRUCTIONS .....</b>	<b>26</b>
<b>IF YOU NEED ASSISTANCE .....</b>	<b>26</b>
<b>ELECTRONIC CONTROL SETUP INSTRUCTIONS .....</b>	<b>27</b>
<b>WARRANTY .....</b>	<b>32</b>

[www.whirlpoolcommerciallaundry.com](http://www.whirlpoolcommerciallaundry.com)

W11255762A  
W11255763A-SP



# DRYER SAFETY

## Your safety and the safety of others are very important.

We have provided many important safety messages in this manual and on your appliance. Always read and obey all safety messages.



This is the safety alert symbol.

This symbol alerts you to potential hazards that can kill or hurt you and others.

All safety messages will follow the safety alert symbol and either the word “DANGER” or “WARNING.”

These words mean:

**⚠ DANGER**

You can be killed or seriously injured if you don't immediately follow instructions.

**⚠ WARNING**

You can be killed or seriously injured if you don't follow instructions.

All safety messages will tell you what the potential hazard is, tell you how to reduce the chance of injury, and tell you what can happen if the instructions are not followed.



## **WARNING - “Risk of Fire”**

- Clothes dryer installation must be performed by a qualified installer.
- Install the clothes dryer according to the manufacturer's instructions and local codes.
- Do not install a clothes dryer with flexible plastic venting materials or flexible metal (foil type) duct. If flexible metal duct is installed, it must be of a specific type identified by the appliance manufacturer as suitable for use with clothes dryers. Flexible venting materials are known to collapse, be easily crushed, and trap lint. These conditions will obstruct clothes dryer airflow and increase the risk of fire.
- To reduce the risk of severe injury or death, follow all installation instructions.
- Save these instructions.

- It is recommended that the owner post, in a prominent location, instructions for the customer's use in the event the customer smells gas. This information should be obtained from your gas supplier.
- Post the following warning in a prominent location.

### FOR YOUR SAFETY

Do not store or use gasoline or other flammable vapors and liquids in the vicinity of this or any other appliance.

### IMPORTANT SAFETY INSTRUCTIONS

When discarding or storing your old clothes dryer, remove the door.

**SAVE THESE INSTRUCTIONS**

 **WARNING:**

## FIRE OR EXPLOSION HAZARD

Failure to follow safety warnings exactly could result in serious injury, death or property damage.

- Do not store or use gasoline or other flammable vapors and liquids in the vicinity of this or any other appliance.
- **WHAT TO DO IF YOU SMELL GAS:**
  - Do not try to light any appliance.
  - Do not touch any electrical switch; do not use any phone in your building.
  - Clear the room, building, or area of all occupants.
  - Immediately call your gas supplier from a neighbor's phone. Follow the gas supplier's instructions.
  - If you cannot reach your gas supplier, call the fire department.
- Installation and service must be performed by a qualified installer, service agency, or the gas supplier.

**WARNING:** Gas leaks cannot always be detected by smell.

Gas suppliers recommend that you use a gas detector approved by UL or CSA.

For more information, contact your gas supplier.

If a gas leak is detected, follow the "What to do if you smell gas" instructions.

In the State of Massachusetts, the following installation instructions apply:

- Installations and repairs must be performed by a qualified or licensed contractor, plumber, or gas fitter qualified or licensed by the State of Massachusetts.
- Acceptable Shut-off Devices: Gas Cocks and Ball Valves installed for use shall be listed.
- A flexible gas connector, when used, must not exceed 4 feet (121.9 cm).

**IMPORTANT:** The gas installation must conform with local codes, or in the absence of local codes, with the National Fuel Gas Code, ANSI Z223.1/NFPA 54, or the Natural Gas and Propane Installation Code, CSA B149.1.

The dryer must be electrically grounded in accordance with local codes, or in the absence of local codes, with the National Electrical Code, ANSI/NFPA 70, or the Canadian Electrical Code, Part 1, CSA C22.1.

 **WARNING**

## Fire Hazard

Failure to follow safety warnings exactly could result in serious injury, death, or property damage.

**Do not install a booster fan in the exhaust duct.**

**Install all clothes dryers in accordance with the installation instructions of the manufacturer of the dryer.**

# DRYER SAFETY

## IMPORTANT SAFETY INSTRUCTIONS

**WARNING:** To reduce the risk of fire, electric shock, or injury to persons when using the dryer, follow basic precautions, including the following:

- Read all instructions before using the dryer.
- This dryer is intended only for drying clothes and textiles that have been washed in water. Do not use for any other purpose.
- **WARNING:** If you smell gas, do not use the dryer or any electrical equipment nearby. Warn other people to clear the area. Contact the dryer owner immediately.
- Do not place items exposed to cooking oils in your dryer. Items contaminated with cooking oils may contribute to a chemical reaction that could cause a load to catch fire. To reduce the risk of fire due to contaminated loads, the final part of a tumble dryer cycle occurs without heat (cool down period). Avoid stopping a tumble dryer before the end of the drying cycle unless all items are quickly removed and spread out so that the heat is dissipated.
- Do not dry articles that have been previously cleaned in, washed in, soaked in, or spotted with gasoline, dry-cleaning solvents, other flammable, or explosive substances as they give off vapors that could ignite or explode.
- Do not dry unwashed items in the dryer.
- Do not allow children to play on or in the dryer. Close supervision of children is necessary when the dryer is used near children.
- Before the dryer is removed from service or discarded, remove the doors to the dryer compartment.
- Do not reach into the dryer if the drum is moving.
- Do not open door while dryer is in operation. It will stop.
- Do not install or store the dryer where it will be exposed to water and/or the weather.
- Do not tamper with controls.
- Clean dryer lint screen before or after each load.
- Do not use this dryer without the lint screen in place.
- Do not repair or replace any part of the dryer or attempt any servicing unless specifically recommended in this Installation Instructions or in published user-repair instructions that you understand and have the skills to carry out.
- Do not use fabric softeners or products to eliminate static unless recommended by the manufacturer of the fabric softener or product.
- Do not use heat to dry articles containing foam rubber or similarly textured rubber-like materials.
- The final part of a tumble dryer cycle occurs without heat (cool-down cycle) to ensure that the articles are left at a temperature that ensures that the items will not be damaged.
- **WARNING:** Never stop a tumble dryer before the end of the drying cycle unless all items are quickly removed and spread out so that the heat is dissipated. (Avoids risk of spontaneous combustion).
- Keep area around the exhaust opening and adjacent surrounding areas free from the accumulation of lint, dust, and dirt.
- The interior of the dryer and dryer exhaust vent should be cleaned periodically by qualified service personnel.
- See "Electrical Requirements" section for grounding instructions.

**SAVE THESE INSTRUCTIONS**

# TOOLS & PARTS

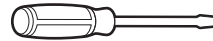
## Tools Needed:



8" (200 mm)  
or 10" (250 mm)  
Pipe wrench



8" (200 mm) or 10" (250 mm)  
Adjustable wrench  
that opens to 1" (25 mm)



Flat-blade screwdriver



Phillips screwdriver



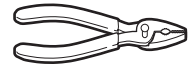
TORX® T20<sup>†</sup> security  
screwdriver or bit



1" (25 mm) Hex-head  
socket wrench



5/16" (8 mm) Socket wrench



Pliers (that open to  
1<sup>9</sup>/<sub>16</sub>" [39 mm])



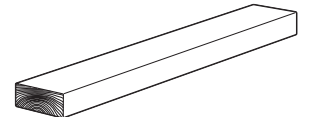
Level



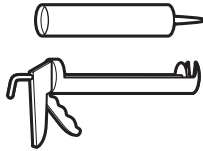
Utility knife



1/4" (6 mm) Nut driver



27" (686 mm)  
Wood block



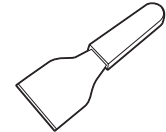
Caulk gun and caulk  
(for installing new exhaust vent)



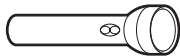
Vent clamps



Pipe-joint compound  
suitable for gas type



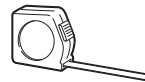
Putty knife



Flashlight (optional)

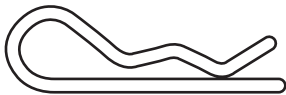


1" (25 mm)  
Open-end wrenches



Ruler or measuring tape

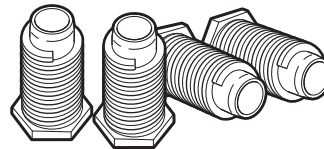
## Parts Supplied:



Security cotter pins (2)



Foot Boots (4)

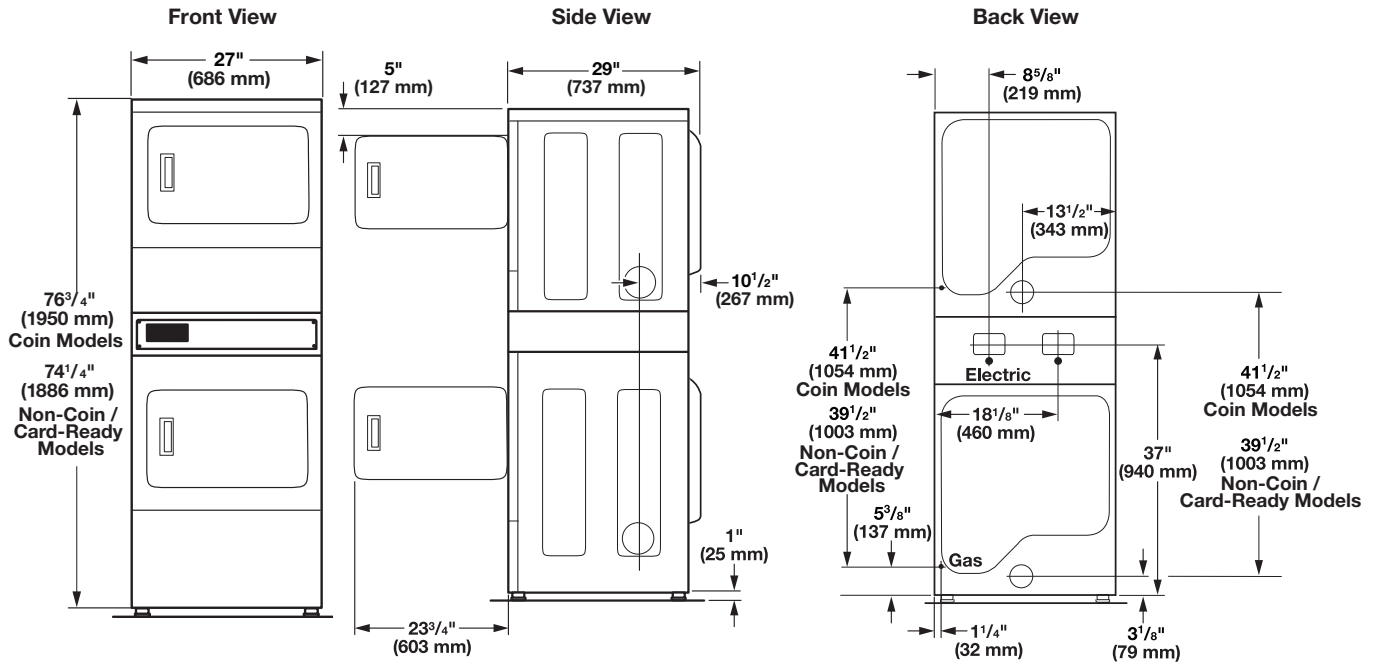


Leveling Legs (4)

<sup>†</sup>TORX and T20 are registered trademarks of Acument Intellectual Properties, LLC.

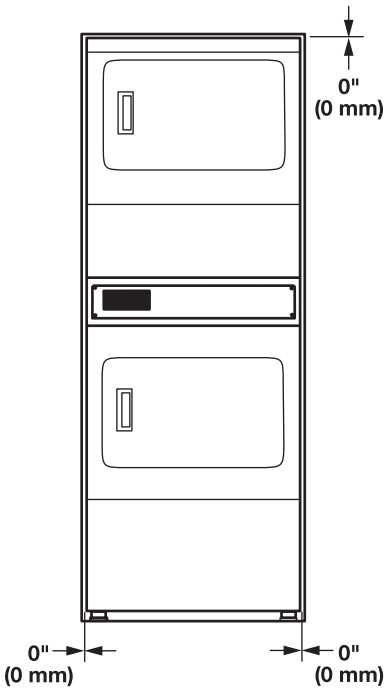
# DIMENSIONS/CLEARANCES

## Dimension:

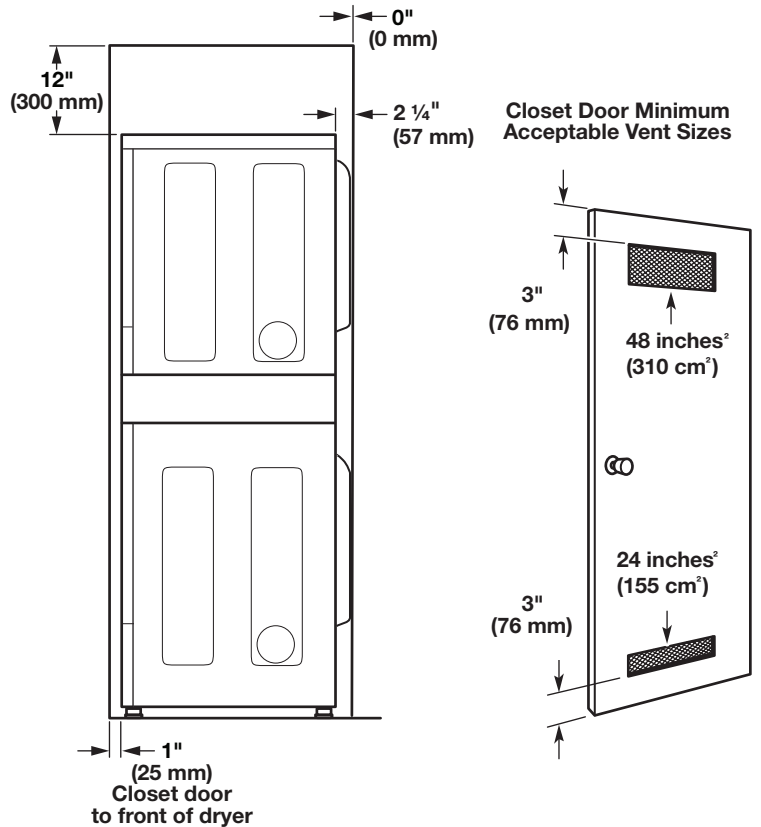


## Minimum Clearance:

Front View, Recessed Opening



Side View, Recessed In Closet



## **⚠ WARNING**



### **Explosion Hazard**

**Keep flammable materials and vapors, such as gasoline, away from dryer.**

**Do not install in a garage.**

**Failure to do so can result in death, explosion, or fire.**

Your dryer can be installed in a basement, laundry room, or recessed area.

This dryer is not intended for installation in a mobile home or recreational vehicle.

Companion appliance location requirements should also be considered.

**IMPORTANT:** Do not install or store the dryer where it will be exposed to water and/or the weather. Proper installation is your responsibility.

### **You will need:**

- A grounded electrical outlet located within 6 ft. (1.8 m) of where the power cord is attached to the back of the dryer. See “Electrical Requirements.”
- A level floor with a maximum slope of 1" (25 mm) under entire dryer. Installing the dryer on soft floor surfaces, such as carpets or surfaces with foam backing, is not recommended.

### **Dryer installation clearances**

- The location must be large enough to allow the dryer door to be fully opened.
- Additional spacing should be considered for ease of installation and servicing. The door opens more than 180°.
- Additional clearances might be required for wall, door, and floor moldings.
- Additional spacing of 1" (25 mm) on all sides of the dryer is recommended to reduce noise transfer.

### **When installing a gas dryer:**

**IMPORTANT:** Observe all governing codes and ordinances.

- Check code requirements: Some codes limit or do not permit installation of clothes dryers in garages, closets, or sleeping quarters. Contact your local building inspector.
- Make sure that lower edges of the cabinet, plus the back and bottom sides of the dryer, are free of obstructions to permit adequate clearance of air openings for combustion air. See “Recessed Area Installation Instructions” below for minimum spacing requirements.

### **Recessed Area Installation Instructions**

This dryer may be installed in a recessed area. For recessed area installations, minimum clearances can be found on the warning label on the rear of the dryer or in “Dimensions/Clearances.”

The installation spacing is in inches and is the minimum allowable. Additional spacing should be considered for ease of installation, servicing, and compliance with local codes and ordinances.

The dryer must be exhausted outdoors.

No other fuel-burning appliance may be installed in the same closet as the dryer.

# GAS DRYER ELECTRICAL REQUIREMENTS

## ⚠ WARNING



### Electrical Shock Hazard

**Plug into a grounded 3 prong outlet.**

**Do not remove ground prong.**

**Do not use an adapter.**

**Do not use an extension cord.**

**Failure to follow these instructions can result in death, fire, or electrical shock.**

**IMPORTANT:** The dryer must be electrically grounded in accordance with local codes and ordinances or, in the absence of local codes, with the National Electrical Code, ANSI/NFPA 70, latest edition, or Canadian Electrical Code, CSA C22.1. If codes permit and a separate ground wire is used, it is recommended that a qualified electrical installer determine that the ground path is adequate.

A copy of the above code standards can be obtained from:

National Fire Protection Association  
One Batterymarch Park, Quincy, MA 02269

CSA International  
8501 East Pleasant Valley Road  
Cleveland, Ohio 44131-5575

- Do not ground to a gas pipe.
- Do not have a fuse in the neutral or ground circuit.
- A 120 V, 60 Hz, AC-only, 15 or 20 A, fused electrical circuit is required. A time-delay fuse or circuit breaker is also recommended. It is recommended that a separate circuit serving only this dryer be provided.
- If codes permit and a separate ground wire is used, it is recommended that a qualified electrician determine that the ground path is adequate.
- Check with a qualified electrician if you are not sure the dryer is properly grounded.

## Gas Dryer Grounding

### GROUNDING INSTRUCTIONS

- For a grounded, cord-connected dryer:  
This dryer must be grounded. In the event of malfunction or breakdown, grounding will reduce the risk of electric shock by providing a path of least resistance for electric current. This dryer uses a cord having an equipment-grounding conductor and a grounding plug. The plug must be plugged into an appropriate outlet that is properly installed and grounded in accordance with all local codes and ordinances.
- For a permanently connected dryer:  
This dryer must be connected to a grounded metal, permanent wiring system, or an equipment-grounding conductor must be run with the circuit conductors and connected to the equipment-grounding terminal or lead on the dryer.

**WARNING:** Improper connection of the equipment-grounding conductor can result in a risk of electric shock. Check with a qualified electrician or service representative or personnel if you are in doubt as to whether the dryer is properly grounded. Do not modify the plug on the power supply cord: if it will not fit the outlet, have a proper outlet installed by a qualified electrician.

### SAVE THESE INSTRUCTIONS

## Gas Supply

### **⚠ WARNING**



#### **Explosion Hazard**

**Use a new CSA International approved gas supply line.**

**Install a shut-off valve.**

**Securely tighten all gas connections.**

**If connected to propane, have a qualified person make sure gas pressure does not exceed 13" (33 cm) water column.**

**Examples of a qualified person include:**

**licensed heating personnel,  
authorized gas company personnel, and  
authorized service personnel.**

**Failure to do so can result in death, explosion, or fire.**

**IMPORTANT:** Observe all governing codes and ordinances.

This installation must conform with all local codes and ordinances.

In the absence of local codes, installation must conform with American National Standard, National Fuel Gas Code ANSI Z223.1/NFPA 54 or CAN/CSA B149.

A copy of the above code standards can be obtained from:

National Fire Protection Association  
One Batterymarch Park, Quincy, MA 02269

CSA International  
8501 East Pleasant Valley Road  
Cleveland, Ohio 44131-5575

The design of this dryer has been certified by CSA International for use at altitudes up to 10,000 feet (3048 m) above sea level at the B.T.U. rating indicated on the model/serial plate. Burner input adjustments are not required when the dryer is operated up to this elevation.

When installed above 10,000 feet (3048 m), a four percent (4%) reduction of the burner B.T.U. rating shown on the model/serial plate is required for each 1,000 feet (305 m) increase in elevation. For assistance when converting to other gas types and/or installing above 10,000 feet (3048 m) elevation, contact your local service company.

# ELECTRIC DRYER ELECTRICAL REQUIREMENTS (U.S.A. ONLY)

## It is your responsibility:

- To contact a qualified electrical installer.
- To be sure that the electrical connection is adequate and in conformance with the National Electrical Code, ANSI/NFPA 70-latest edition and all local codes and ordinances.
- The National Electrical Code requires a 4-wire power supply connection for homes built after 1996, dryer circuits involved in remodeling after 1996, and all mobile home installations.
- A copy of the above code standards can be obtained from: National Fire Protection Association, One Batterymarch Park, Quincy, MA 02269.
- To supply the required 3- or 4-wire, single phase, 120/240 V, 60 Hz., AC-only electrical supply (or 3- or 4-wire, 120/208 V electrical supply, if specified on the serial/rating plate) on a separate 30 A circuit, fused on both sides of the line. A time delay fuse or circuit breaker is recommended. Connect to an individual branch circuit. Do not have a fuse in the neutral or grounding circuit.
- Do not use an extension cord.
- If codes permit and a separate ground wire is used, it is recommended that a qualified electrician determine that the ground path is adequate.

## Electrical Connection

To properly install your dryer, you must determine the type of electrical connection you will be using and follow the instructions provided for it here.

- This dryer is manufactured ready to install with a 3-wire electrical supply connection. The neutral ground conductor is permanently connected to the neutral conductor (white wire) within the dryer. If the dryer is installed with a 4-wire electrical supply connection, the neutral ground conductor must be removed from the external ground connector (green screw), and secured under the neutral terminal (center or white wire) of the terminal block. When the neutral ground conductor is secured under the neutral terminal (center or white wire) of the terminal block, the dryer cabinet is isolated from the neutral conductor.
- If local codes do not permit the connection of a neutral ground wire to the neutral wire, see "Optional 3-wire connection" section.
- A 4-wire power supply connection must be used when the appliance is installed in a location where grounding through the neutral conductor is prohibited. Grounding through the neutral is prohibited for (1) new branch-circuit installations and (2) areas where local codes prohibit grounding through the neutral conductor.

## Electric Dryer Grounding

### GROUNDING INSTRUCTIONS

- For a grounded, cord-connected dryer:  
This dryer must be grounded. In the event of malfunction or breakdown, grounding will reduce the risk of electric shock by providing a path of least resistance for electric current. This dryer uses a cord having an equipment-grounding conductor and a grounding plug. The plug must be plugged into an appropriate outlet that is properly installed and grounded in accordance with all local codes and ordinances.
- For a permanently connected dryer:  
This dryer must be connected to a grounded metal, permanent wiring system, or an equipment-grounding conductor must be run with the circuit conductors and connected to the equipment-grounding terminal or lead on the dryer.

**WARNING:** Improper connection of the equipment-grounding conductor can result in a risk of electric shock. Check with a qualified electrician or service representative or personnel if you are in doubt as to whether the dryer is properly grounded. Do not modify the plug on the power supply cord: if it will not fit the outlet, have a proper outlet installed by a qualified electrician.

### SAVE THESE INSTRUCTIONS

# ELECTRIC DRYER ELECTRICAL REQUIREMENTS (U.S.A. ONLY)

## Electric Dryer Power Supply Cord

### **⚠ WARNING**



#### Fire Hazard

- Use a new UL listed 30 amp power supply cord.
- Use a UL listed strain relief.
- Disconnect power before making electrical connections.
- Connect neutral wire (white or center wire) to center terminal.
- Ground wire (green or bare wire) must be connected to green ground connector.
- Connect remaining 2 supply wires to remaining 2 terminals.
- Securely tighten all electrical connections.
- Failure to do so can result in death, fire, or electrical shock.

### If using a power supply cord:

Use a UL Listed power supply cord kit marked for use with clothes dryers. The kit should contain:

- A UL Listed 30 A power supply cord, rated 120/240 V minimum. The cord should be type SRD or SRDT and be at least 4 ft. (1.22 m) long. The wires that connect to the dryer must end in ring terminals or "U" shaped spade terminals with upturned ends.
- A UL Listed strain relief.

### If your outlet looks like this:



**4-wire  
receptacle  
(14-30R)**

Choose a 4-wire power supply cord with ring or spade terminals and UL Listed strain relief. The 4-wire power supply cord, at least 4 ft. (1.22 m) long, must have four 10 gauge copper wires and match a 4-wire receptacle of NEMA Type 14-30R. The ground wire (ground conductor) may be either green or bare. The neutral conductor must be identified by a white cover.

### If your outlet looks like this:



**3-wire  
receptacle  
(10-30R)**

Choose a 3-wire power supply cord with ring or spade terminals and UL Listed strain relief. The 3-wire power supply cord, at least 4 ft. (1.22 m) long, must have three 10 gauge copper wires and match a 3-wire receptacle of NEMA Type 10-30R.

## Direct Wire

### **⚠ WARNING**



#### Fire Hazard

- Use 10 gauge copper wire.
- Use a UL listed strain relief.
- Disconnect power before making electrical connections.
- Connect neutral wire (white or center wire) to center terminal.
- Ground wire (green or bare wire) must be connected to green ground connector.
- Connect remaining 2 supply wires to remaining 2 terminals.
- Securely tighten all electrical connections.
- Failure to do so can result in death, fire, or electrical shock.

### If connecting by direct wire:

Direct wire cable must match power supply (4-wire or 3-wire) and be:

- Flexible armored cable or nonmetallic sheathed copper cable (with ground wire), covered with flexible metallic conduit. All current-carrying wires must be insulated.
- 10 gauge copper wire (do not use aluminum).
- At least 5 ft. (1.52 m) long.

# DRYER VENTING REQUIREMENTS

## ⚠ WARNING



### Fire Hazard

Use a heavy metal vent.

Do not use a plastic vent.

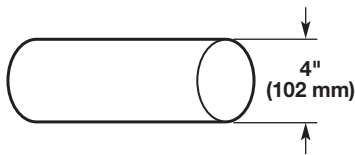
Do not use a metal foil vent.

Failure to follow these instructions can result in death or fire.

**WARNING:** To reduce the risk of fire, this dryer MUST BE EXHAUSTED OUTDOORS.

**IMPORTANT:** Observe all governing codes and ordinances.

Dryer exhaust must not be connected into any gas vent, chimney, wall, ceiling, attic, crawlspace, or a concealed space of a building. Only rigid or flexible metal vent shall be used for exhausting.



4" (102 mm) Heavy, metal exhaust vent

- Only a 4" (102 mm) heavy, metal exhaust vent and clamps may be used.
- Do not use plastic or metal foil vent.

### Rigid metal vent:

- Recommended for best drying performance and to avoid crushing and kinking.

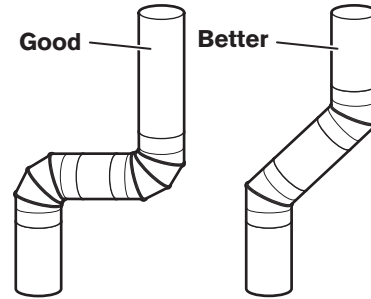
### Flexible metal vent: (Acceptable only if accessible to clean)

- Must be fully extended and supported in final dryer location.
- Remove excess to avoid sagging and kinking that may result in reduced airflow and poor performance.
- Do not install in enclosed walls, ceilings, or floors.
- The total length should not exceed 7¾ ft. (2.4 m).

**NOTE:** If using an existing vent system, clean lint from entire length of the system and make sure exhaust hood is not plugged with lint. Replace plastic or metal foil vents with rigid metal or flexible metal vents. Review "Vent System Chart" and if necessary, modify existing vent system to achieve best drying performance.

### Elbows:

- 45° elbows provide better airflow than 90° elbows.



### Clamps:

- Use clamps to seal all joints.
- Exhaust vent must not be connected or secured with screws or other fastening devices that extend into interior of duct and catch lint. Do not use duct tape.



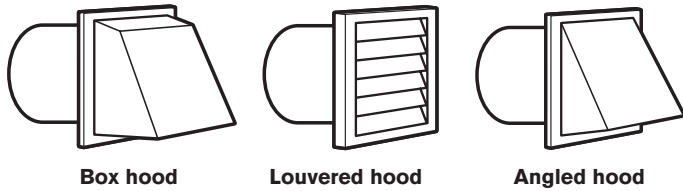
### Improper venting can cause moisture and lint to collect indoors, which may result in:

- Moisture damage to woodwork, furniture, paint, wallpaper, carpets, etc.
- Housecleaning problems and health problems.

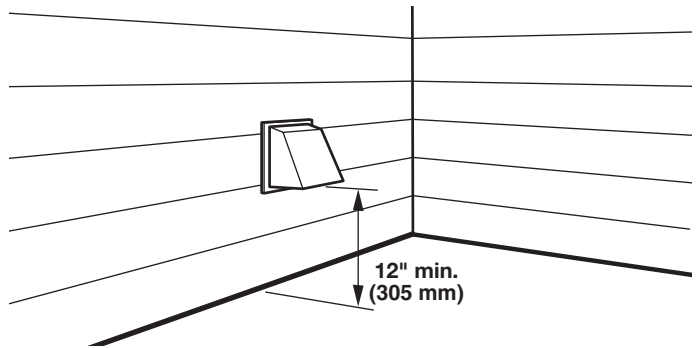
# DRYER VENTING REQUIREMENTS

## Vent Hoods

### 4" (102 mm) Diameter Exhaust Hoods



Exhaust hood must be at least 12" (305 mm) from the ground or any object that may be in the path of the exhaust (such as flowers, rocks, bushes, or snow).



## Vent System Length

### Maximum Vent Length/Vent Connection

Maximum length of vent system depends upon the type of vent used, number of elbows, and type of exhaust hood.

#### Vent System Length

No. of 90° Turns	Box and	
	Louvered Hood	Angled Hood
0	64 ft. (19.5 m)	58 ft. (17.7 m)
1	54 ft. (16.5 m)	48 ft. (14.6 m)
2	44 ft. (13.4 m)	38 ft. (11.6 m)
3	35 ft. (10.7 m)	29 ft. (8.8 m)
4	27 ft. (8.2 m)	21 ft. (6.4 m)

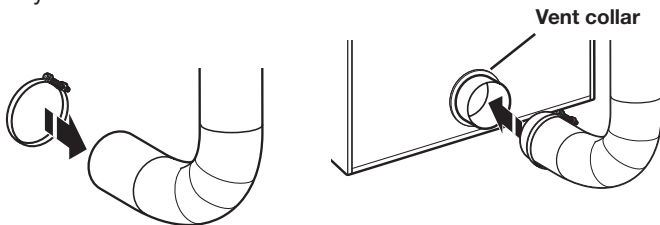
For vent systems not covered by the vent specification chart, see your parts distributor.

Provision must be made for enough air for combustion and ventilation. (Check governing codes and ordinances.) See "Recessed Area Installation Instructions" in the "Location Requirements" sections.

A 4" (102 mm) outlet hood is preferred. However, a 2½" (64 mm) outlet exhaust hood may be used. A 2½" (64 mm) outlet creates greater back pressure than other hood types. For permanent installation, a stationary vent system is required.

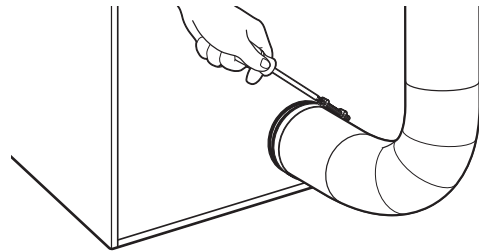
### Connect Vent

1. If connecting to existing vent, make sure the vent is clean.
2. Using a 4" (102 mm) clamp, connect vent to exhaust outlet in dryer.

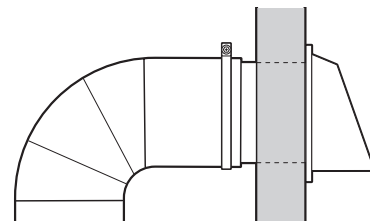


**NOTE:** Do not remove vent collar.

3. Tighten hose clamp with Phillips screwdriver.



4. Make sure the vent is secured to exhaust hood with a 4" (102 mm) clamp.

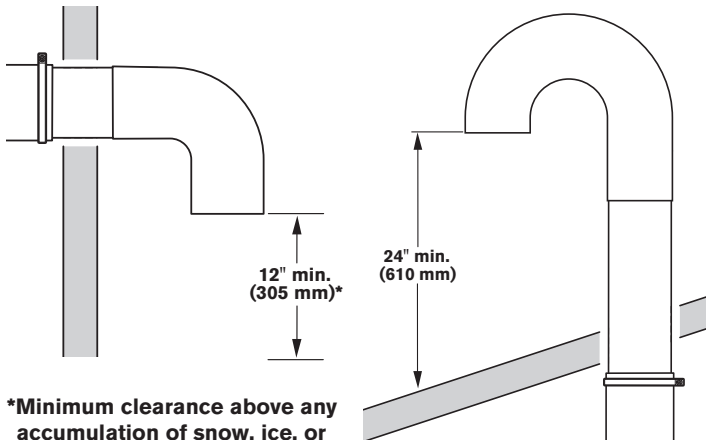


5. Move dryer into final position. Do not crush or kink vent. Make sure dryer is level.

# DRYER VENTING REQUIREMENTS

## If an Exhaust Hood Cannot be Used

The outside end of main vent should have a sweep elbow directed downward.



**\*Minimum clearance above any accumulation of snow, ice, or debris such as leaves**

If the main vent travels vertically through the roof, rather than through the wall, install a 180° sweep elbow on the end of the vent at least 2 ft. (610 mm) above the surface of the roof.

The opening in wall or roof shall have a diameter 1/2" (13 mm) larger than vent diameter. Vent should be centered in opening.

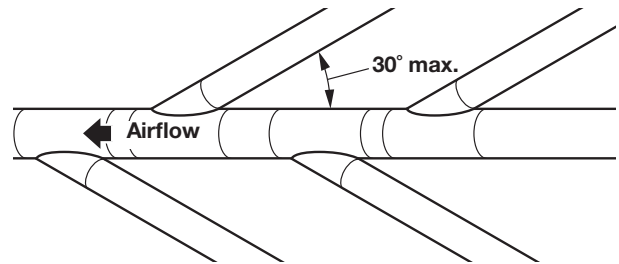
Do not install screening over end of vent for best performance.

## Multiple Dryer Venting

A main vent can be used for venting a group of dryers. The main vent should be sized to remove 5663 l/min. (200 CFM) of air per dryer. Large-capacity lint screens of proper design may be used in main vent if checked and cleaned frequently. The room where the dryers are located should have make-up air equal to or greater than CFM of all the dryers in the room.

Back-draft Damper Kit, Part No. 3391910, is available from your distributor and should be installed in the vent of each dryer to keep exhausted air from returning into dryers and to keep exhaust in balance within main vent. Unobstructed return air openings are required.

Each vent should enter the main vent at an angle pointing in the direction of the airflow. Vents entering from the opposite side should be staggered to reduce the exhausted air from interfering with the other vents.



The maximum angle of each vent entering the main vent should be no more than 30°.

Keep air openings free of dry cleaning fluid fumes. Fumes create acids which, when drawn through the dryer heating units, can damage dryers and items being dried.

A clean-out cover should be located on the main vent for periodic cleaning of the vent system.

# INSTALLING LEVELING LEGS

## **⚠ WARNING**

### **Excessive Weight Hazard**

**Use two or more people to move and install dryer.**

**Failure to do so can result in back or other injury.**

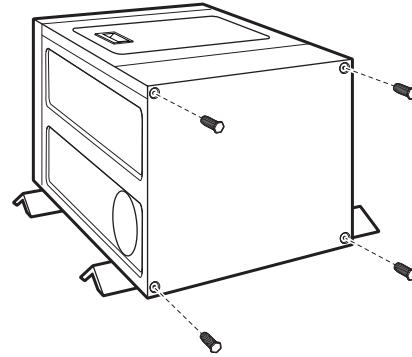
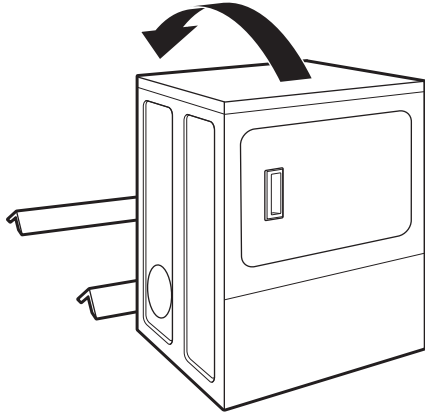
### **1. Prepare dryer for leveling legs**

**NOTE:** Slide dryer onto cardboard or hardboard before moving to avoid damaging floor covering.

Using two or more people, move dryer to desired installation location.

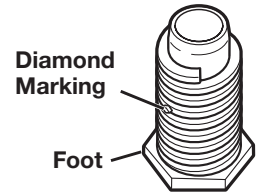
Take tape off front corners of dryer. Open dryer and remove the literature and parts packages. Wipe drum interior with damp cloth to remove any dust.

Take two cardboard corners from the dryer carton and place them on the floor in back of the dryer. Firmly grasp body of the dryer and gently lay it on its back on the cardboard corners.



### **2. Screw in leveling legs**

Examine leveling legs and find diamond marking. Screw legs into leg holes by hand. Use an adjustable wrench or 1" (25 mm) hex-head socket wrench to finish turning legs until diamond marking is no longer visible. Then fit a covered foot boot over each leg foot.



To protect the floor, use a large piece of cardboard from the dryer carton. Stand dryer up on the cardboard. Slide the dryer until it is close to its final location. Leave enough room for electrical connection and to connect the exhaust vent.

# LEVELING

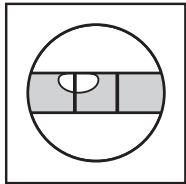
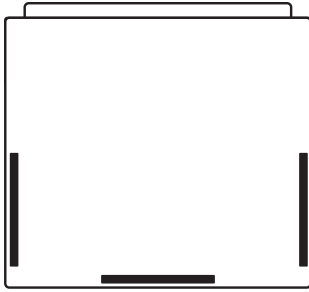
Leveling your dryer properly reduces excess noise and vibration.

## **⚠ WARNING**

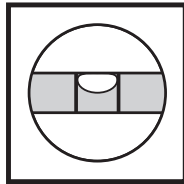
### **Excessive Weight Hazard**

**Use two or more people to move and install dryer.  
Failure to do so can result in back or other injury.**

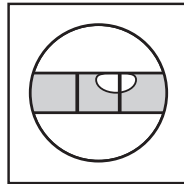
1. Remove cardboard from beneath dryer. Place a level on top edges of dryer, checking each side and front. If not level, tip dryer and adjust feet up or down, repeating as necessary.



Not Level

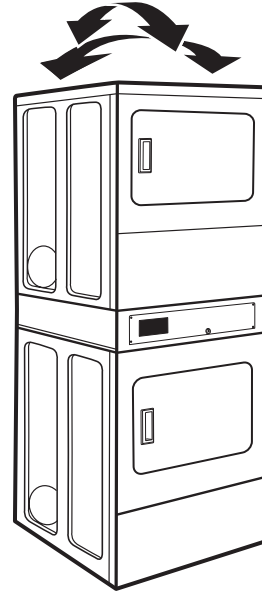


LEVEL



Not Level

2. Grip dryer from top and rock back and forth, making sure all four feet are firmly on floor. Repeat, rocking dryer from side to side. If dryer rocks, adjust leveling feet.



3. If dryer is not level, turn the leveling feet counterclockwise to lower the dryer or clockwise to raise the dryer. Recheck levelness of dryer and that all four feet are firmly in contact with the floor. Repeat as needed.

**HELPFUL TIP:** You may want to prop up front of dryer about 4" (102 mm) with a wood block or similar object that will support weight of dryer.

# GAS SUPPLY CONNECTION

## Make Gas Connection

## **⚠ WARNING**



### **Explosion Hazard**

**Use a new CSA International approved gas supply line.**

**Install a shut-off valve.**

**Securely tighten all gas connections.**

**If connected to propane, have a qualified person make sure gas pressure does not exceed 13" (33 cm) water column.**

**Examples of a qualified person include:**

**licensed heating personnel,  
authorized gas company personnel, and  
authorized service personnel.**

**Failure to do so can result in death, explosion, or fire.**

approved for the type of gas supplied. If flexible metal tubing is used, be certain there are no kinks.

If necessary for service, open the toe panel. Use a putty knife to press on the toe panel locks located at the upper corners of the toe panel. Pull downward on the toe panel to open. Toe panel is hinged at the bottom.

3. Open the shut-off valve in the gas supply line and make sure the dryer has its own gas supply opened.
4. Test all connections by brushing on an approved noncorrosive leak-detection solution. Bubbles will show a leak. Correct any leaks found.

1. Remove red cap from gas pipe on back of dryer.
2. Connect gas supply to dryer. Use a pipe thread compound

# GAS SUPPLY CONNECTION

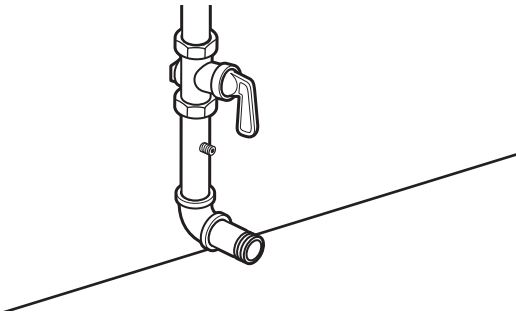
## Type of Gas

This dryer is equipped for use with natural gas. It is certified by UL for use with propane gas with appropriate conversion. No attempt shall be made to convert dryer from gas specified on serial/rating plate for use with a different gas without consulting the serving gas supplier. Conversion must be done by a qualified service technician. Gas conversion kit part numbers are listed on gas valve burner base.

## Gas Supply Line

### Recommended Method

Provide a gas supply line of 1/2" (13 mm) rigid (IPS) pipe to dryer location. Pipe joint compounds that resist action of propane gas must be used. Do not use TEFLON<sup>®</sup>† tape. With propane gas, piping or tubing size can be 1/2" (13 mm) minimum. Usually, propane gas suppliers determine size and materials used in the system.



### Gas Supply Pressure Testing

A 1/8" NPT minimum plugged tapping, accessible for gauge testing, must be installed immediately downstream of the installed shut-off valve to the dryer (as shown above). The dryer must be disconnected from the gas supply piping system during any pressure testing of the system at test pressures in excess of 1/2" psig (352 kg/m<sup>2</sup>).

### Alternate Method

The gas supply may also be connected using 3/8" (10 mm) approved copper or aluminum tubing. If the total length of the supply line is more than 20 ft. (6.1 m), larger tubing will be required.

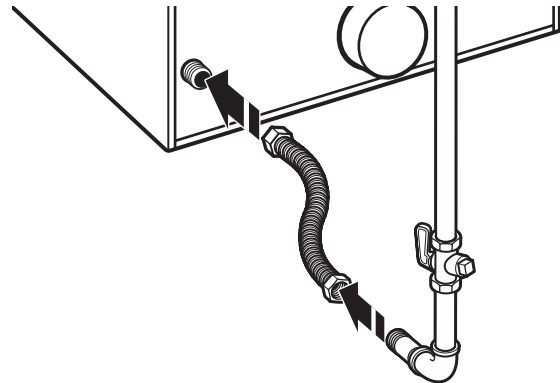
If using natural gas, do not use copper tubing. Pipe joint compounds that resist action of type of gas supplied must be used.

### Shut-off valve required

The supply line must be equipped with a manual shut-off valve installed within 6 ft. (1.8 m) of dryer in accordance with National Fuel Gas Code, ANSI Z223.1. This valve should be located in same room as dryer. It should be in a location that allows ease of opening and closing. Do not block access to shut-off valve.

### Flexible Metal Appliance Connector

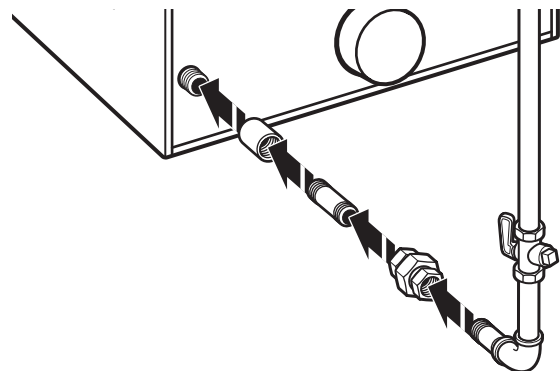
It is recommended that a new flexible stainless steel gas line, design-certified by CSA International, be used for connecting the dryer to the gas supply line. (The gas pipe that extends through the lower rear of the dryer is provided with 3/8" male pipe thread.)



**NOTE:** Do not kink or damage the flexible stainless steel gas line when moving the dryer.

### Rigid Pipe Connection

The rigid pipe connection requires a combination of pipe fittings to obtain an in-line connection to the dryer.



†<sup>®</sup>TEFLON is a registered trademark of Chemours.

# ELECTRIC DRYER ELECTRICAL CONNECTIONS (FOR U.S.A. ONLY)

## Power Supply Cord Connection

### ⚠ WARNING



#### Fire Hazard

Use a new UL listed 30 amp power supply cord.

Use a UL listed strain relief.

Disconnect power before making electrical connections.

Connect neutral wire (white or center wire) to center terminal.

Ground wire (green or bare wire) must be connected to green ground connector.

Connect remaining 2 supply wires to remaining 2 terminals.

Securely tighten all electrical connections.

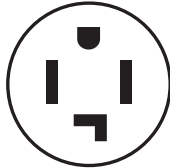
Failure to do so can result in death, fire, or electrical shock.

### Connection Options

#### Power Cord

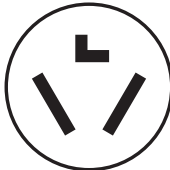
4-wire receptacle (NEMA Type 14-30R)

Go to "Connecting 4-Wire Connection: Power Supply Cord" section.



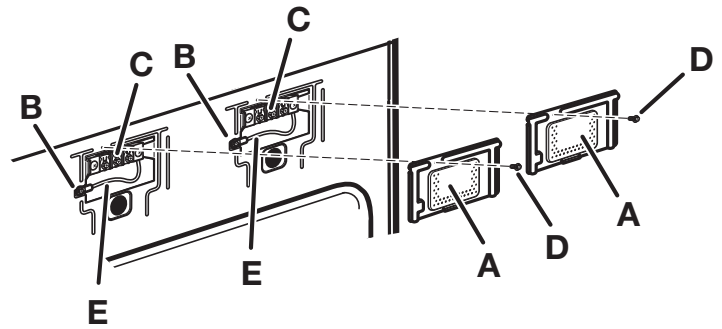
3-wire receptacle (NEMA Type 10-30R)

Go to "Connecting 3-Wire Connection: Power Supply Cord" section.



**NOTE:** If local codes do not permit connection of a cabinet-ground conductor to neutral wire, go to "Connecting 3-Wire Connection: Optional" section. This connection may be used with either a power supply cord or a direct wire connection.

### Remove Terminal Block Cover



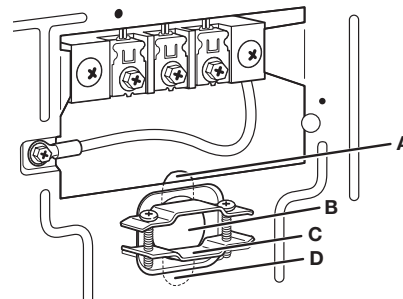
Before you start, disconnect power. Remove hold-down screw (D) and terminal block cover (A).

- A. Terminal block cover
- B. External ground conductor screw
- C. Center terminal block screw
- D. Hold-down screw
- E. Neutral ground wire

### Power Supply Cord Strain Relief

#### 1. Insert strain relief.

Remove the screws from a 3/4" (19 mm) UL Listed strain relief. Put the tabs of the two clamp sections (C) into the hole below the terminal block opening (B) so that one tab is pointing up (A) and the other is pointing down (D), and hold in place. Tighten strain relief screws just enough to hold the two clamp sections (C) together.

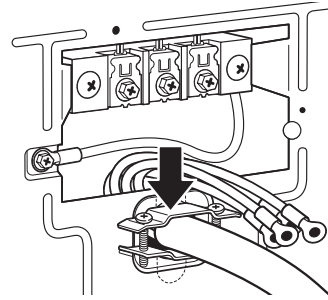


# ELECTRIC DRYER ELECTRICAL CONNECTIONS

## Power Supply Cord Connection (cont.)

### 2. Insert power cord into strain relief.

Put power supply cord through the strain relief. Be sure that the wire insulation on the power supply cord is inside the strain relief. The strain relief should have a tight fit with the dryer cabinet and be in a horizontal position. Do not further tighten strain relief screws at this point.



## Connecting 4-Wire Connection: Power Supply Cord

**IMPORTANT:** A 4-wire connection is required where local codes do not permit the use of 3-wire connections.

Standard Power Supply Cord Connectors



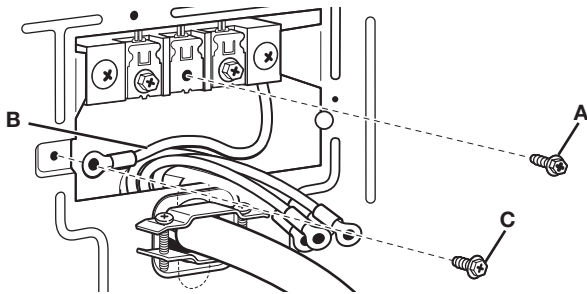
Flanged spade connector



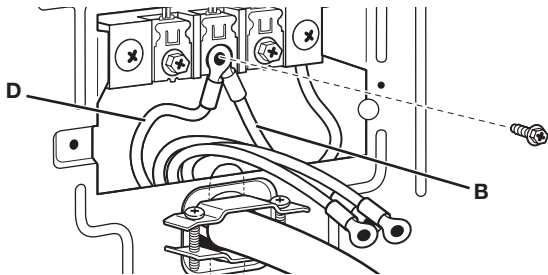
Ring Connector

### Connecting Ground and Neutral Wires

1. Remove center terminal block screw (A) and neutral ground wire (B) by removing the external ground connector screw (C).

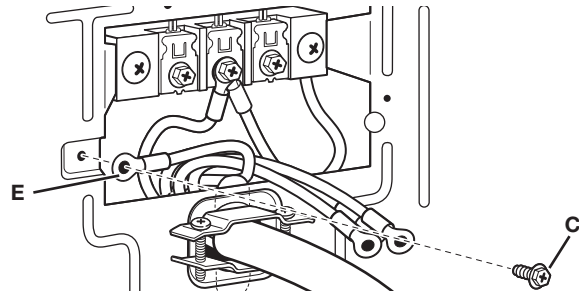


2. Connect neutral ground (B) and neutral wire (white or center) (D) to center terminal block. Tighten screw.



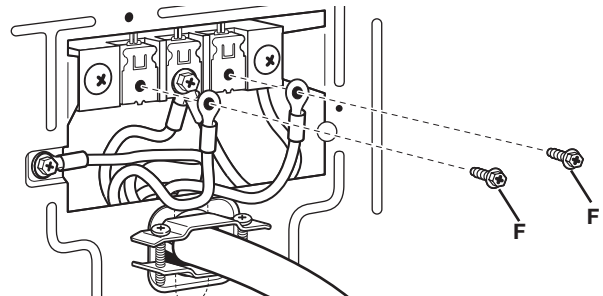
### Connecting Power Cord Ground Wire

3. Connect ground wire (green or bare) (E) with external ground connector screw (C). Tighten screw.



### Connecting Remaining Wires

4. Connect remaining wires with outer terminal block screws (F). Tighten screws. Finally, re-install terminal block cover and tighten hold-down screw. Go to "Complete Installation" section.



## Connecting 3-Wire Connection: Power Supply Cord

Standard Power Supply Cord Connectors



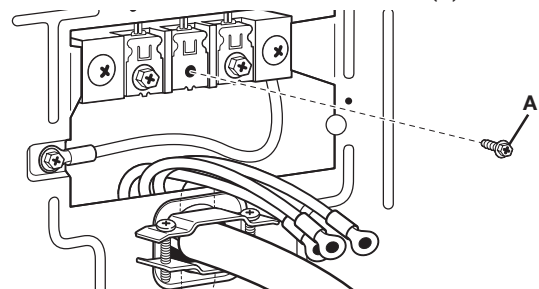
Flanged spade connector



Ring Connector

### Connecting Neutral Wire

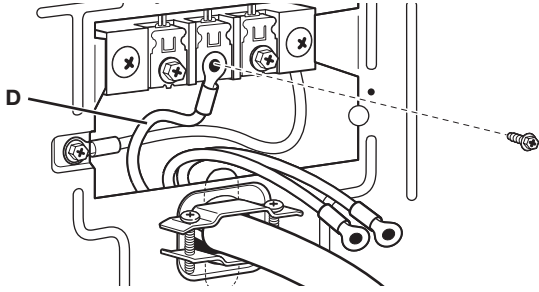
1. Loosen or remove center terminal block screw (A).



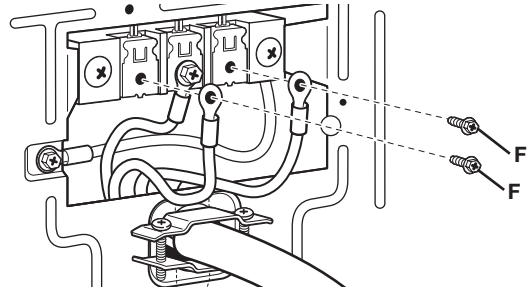
# ELECTRIC DRYER ELECTRICAL CONNECTIONS

## Connecting 3-Wire Connection: Power Supply Cord (cont.)

2. Connect white neutral wire (white or center) (D) to center terminal block. Tighten screw.



3. Connect remaining wires with outer terminal block screws (F). Tighten screws. Finally, re-install terminal block cover and tighten hold-down screw. Go to "Complete Installation" section.



# ELECTRIC DRYER ELECTRICAL CONNECTIONS (FOR U.S.A. ONLY)

## Direct Wire Connection

### ⚠ WARNING

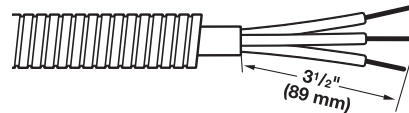


#### Fire Hazard

- Use 10 gauge copper wire.
- Use a UL listed strain relief.
- Disconnect power before making electrical connections.
- Connect neutral wire (white or center wire) to center terminal.
- Ground wire (green or bare wire) must be connected to green ground connector.
- Connect remaining 2 supply wires to remaining 2 terminals.
- Securely tighten all electrical connections.
- Failure to do so can result in death, fire, or electrical shock.

#### 3-wire direct

Go to "Connecting 3-Wire Connection: Direct Wire" section.



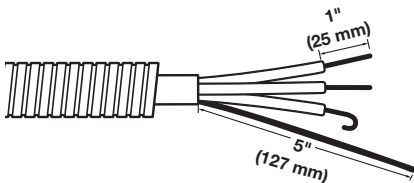
**NOTE:** If local codes do not permit connection of a cabinet-ground conductor to neutral wire, go to "Connecting 3-Wire Connection: Optional" section. This connection may be used with either a power supply cord or a direct wire connection.

## Connection Options

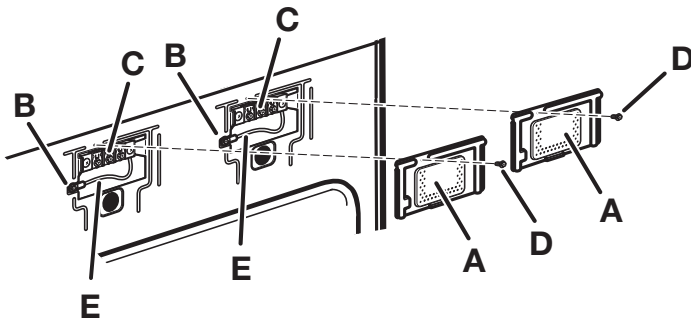
### Direct Wire

#### 4-wire direct

Go to "Connecting 4-Wire Connection: Direct Wire" section.



## Remove Terminal Block Cover

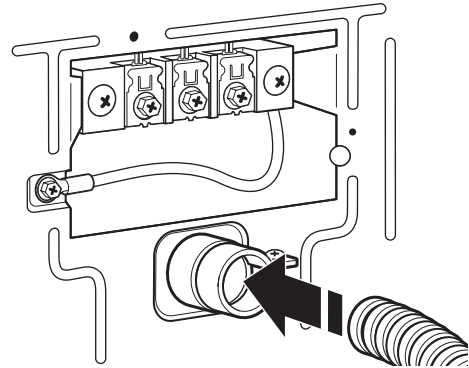


Before you start, disconnect power. Remove hold-down screw (D) and terminal block cover (A).

- A. Terminal block cover
- B. External ground conductor screw
- C. Center terminal block screw
- D. Hold-down screw
- E. Neutral ground wire

## 2. Insert conduit into strain relief and tighten clamp.

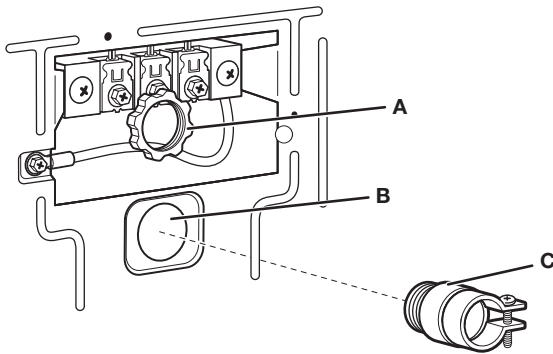
Put direct wire cable through the strain relief. The strain relief should have a tight fit with the dryer cabinet and be in a horizontal position. Tighten strain relief screw against the direct wire cable.



## Direct Wire Strain Relief

### 1. Insert strain relief.

Unscrew the removable conduit connector (A) and any screws from a from a 3/4" (19 mm) UL Listed strain relief. Put the threaded section of the strain relief (C) through the hole below the terminal block opening (B), screw the removable conduit connector (A) onto the strain relief threads.



# ELECTRIC DRYER ELECTRICAL CONNECTIONS

## Connecting 4-Wire Connection: Direct Wire

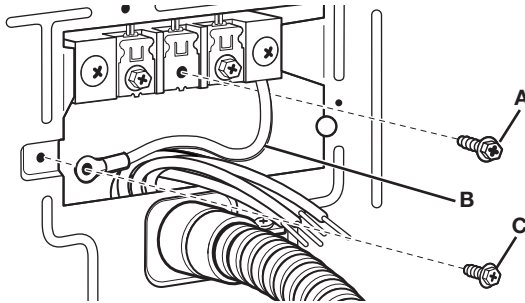
**IMPORTANT:** A 4-wire connection is required where local codes do not permit the use of 3-wire connections.

Direct wire cable must have 5 ft. (1.52 m) of extra length so dryer can be moved if needed.

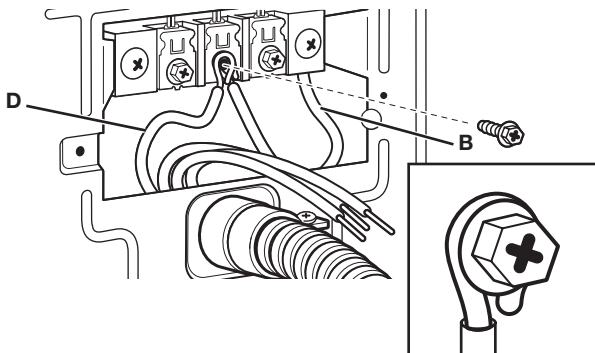
Strip 5" (127 mm) of outer covering from end of cable, leaving bare ground wire at 5" (127 mm). Cut 1½" (38 mm) from three remaining wires. Strip insulation back 1" (25 mm). Shape ends of wires into a hook shape.

### Connecting Neutral Ground and Neutral Wires

1. Remove center terminal block screw (A) and neutral ground wire (B) by removing the external ground connector screw (C).

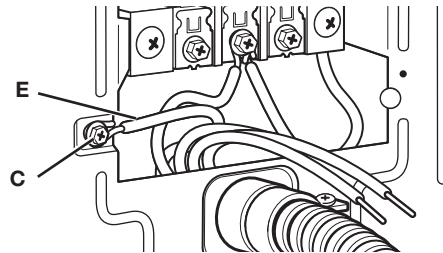


2. Connect neutral ground (B) and place hooked end (hook facing right) of neutral wire (white or center wire) cable under center terminal block screw (B). Squeeze hooked end together. Tighten screw.



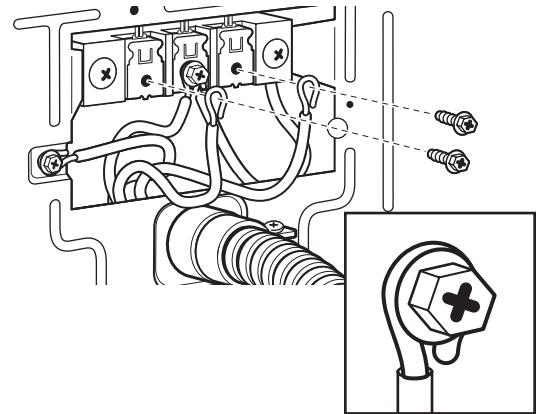
### Connecting Direct Wire Ground

3. Connect ground wire (green or bare) (E) with external ground connector screw (C). Tighten screw.



### Connecting Remaining Wires

4. Place hooked ends of remaining direct wire cables (hooks facing right). Squeeze hooded ends together and tighten screws. Finally, re-install terminal block cover and tighten hold-down screw. Tighten screws. Go to "Complete Installation" section.



# ELECTRIC DRYER ELECTRICAL CONNECTIONS

## Connecting 3-Wire Connection: Direct Wire

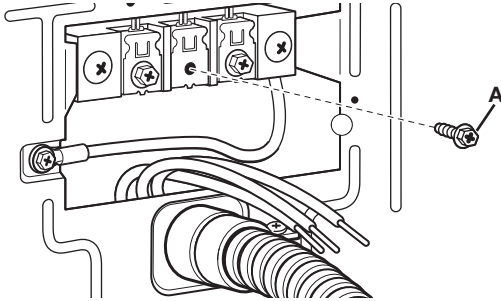
Use where local codes permit connecting cabinet-ground conductor to neutral wire.

Direct wire cable must have 5 ft. (1.52 m) of extra length so dryer can be moved if needed.

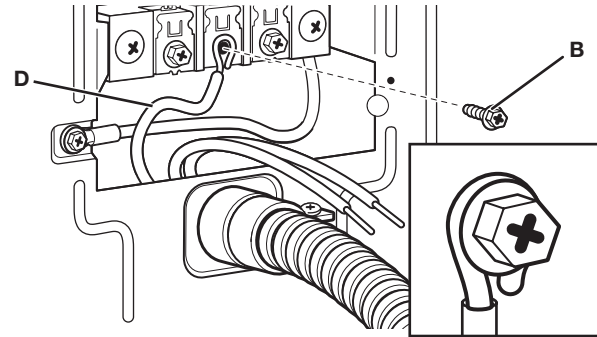
Strip 3½" (89 mm) of outer covering from end of cable. Strip insulation back 1" (25 mm). If using 3-wire cable with ground wire, cut bare wire even with outer covering. Shape ends of wires into a hook shape.

### Connecting Neutral Wire

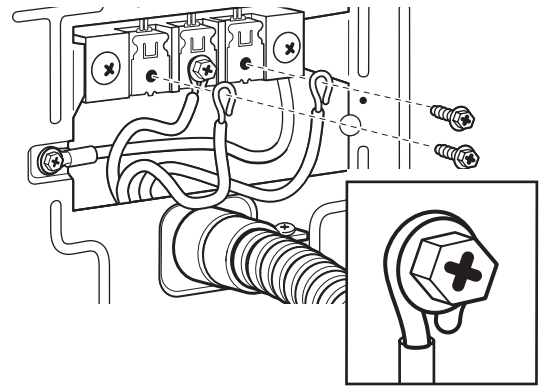
1. Loosen or remove center terminal block screw (A).



2. Place hooked end (hook facing right) of neutral wire (white or center wire) (D) cable under center terminal block screw (B). Squeeze hooked end together. Tighten screw.



3. Place hooked ends of remaining direct wire cables (hooks facing right). Squeeze hooded ends together and tighten screws. Finally, re-install terminal block cover and tighten hold-down screw. Tighten screws. Go to "Complete Installation" section.

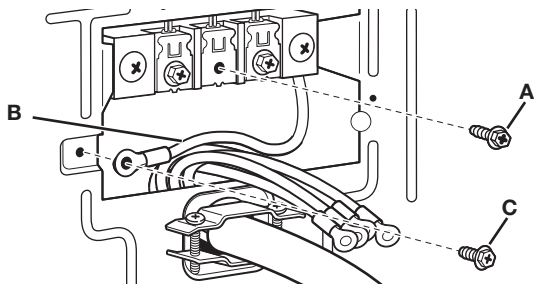


## Connecting 3-Wire Connection: Optional

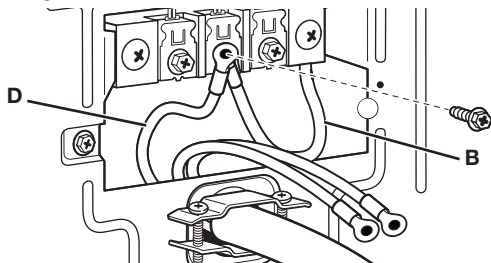
Use for direct wire or power supply cord where local codes do not permit connecting cabinet-ground conductor to neutral wire.

### Connecting Neutral Wire

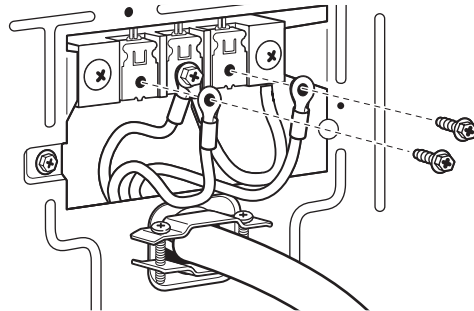
1. Remove center terminal block screw (A). Also remove neutral ground wire (B) by removing external ground conductor screw (C).



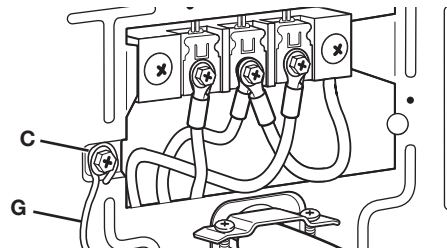
2. Connect neutral ground wire (B) and neutral wire (white or center) (D) of power supply cord/cable under center terminal block. Tighten screw.



3. Connect remaining wires under outer terminal block. Tighten screws.



4. Connect a separate copper ground wire (G) under the external ground conductor to screw (C) an adequate ground. Finally, re-install terminal block cover and tighten hold-down screw. Go to "Complete Installation" section.



# COMPLETE INSTALLATION

1. Check the electrical requirements. Be sure that you have the correct electrical supply and the recommended grounding method. See "Electrical Requirements."
2. Check that all parts are now installed. If there is an extra part, go back through the steps.
3. Check that you have all of your tools.
4. Dispose of/recycle all packaging materials.
7. Open the dryer door. Check that the inside of the dryer is warm. If the burner does not ignite and you can feel no heat inside the dryer, shut off dryer for five minutes. Check that all supply valve controls are in "on" position and that the electrical cord is plugged in. Repeat five-minute test.
8. If drying time is too long, make sure that the lint screen is clean and that there are no obstructions to airflow in the dryer vent system.
9. Restart the dryer and allow it to complete a full heat cycle (not air cycle) to make sure it is working properly.

## **⚠ WARNING**



### **Electrical Shock Hazard**

**Plug into a grounded 3 or 4 prong outlet.**

**Do not remove ground prong.**

**Do not use an adapter.**

**Do not use an extension cord.**

**Failure to follow these instructions can result in death, fire, or electrical shock.**

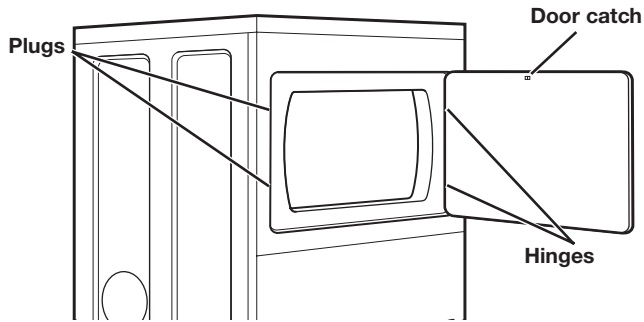
5. Plug into a grounded outlet, or connect power.
6. Check dryer operation. Close dryer door. Select the cycle. Using a full heat cycle (not the air cycle), let the dryer run for at least five minutes. Dryer will stop when time is used up.  
**NOTE:** Dryer door must be closed for dryer to operate. When door is open, dryer stops, but timer continues to run. To restart dryer, close door and re-select the cycle.

# REVERSING DRYER DOOR SWING (OPTIONAL)

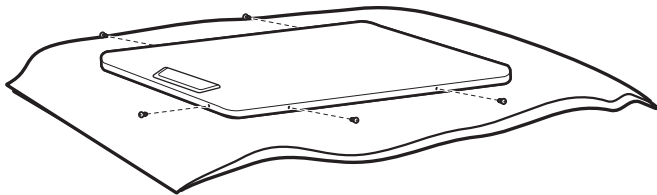
You can change your door swing from a right-side opening to left-side opening, if desired.

## Remove the Door Assembly

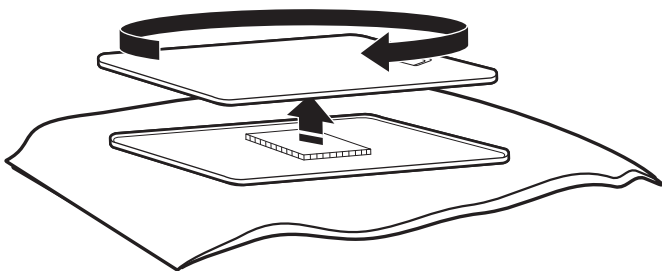
1. Place a towel or soft cloth on top of work space to avoid scratching of the surface.
2. Open dryer door. Remove button screws from cabinet side of hinges. Loosen (do not remove) top screws from cabinet side of hinges.



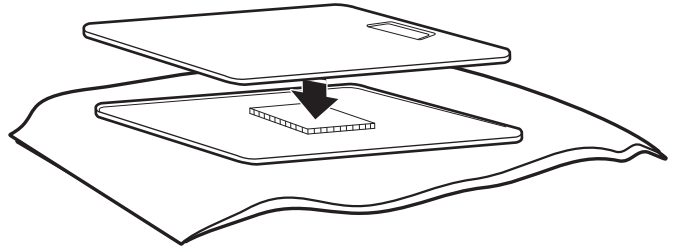
3. Lift door until top screws in cabinet are in large part of hinge slot. Pull forward off screws. Set door (handle side up) on top of towel. Remove top screws from cabinet.
4. Remove screws attaching hinges to door.
5. Remove screws at top, bottom, and side of door (five screws).



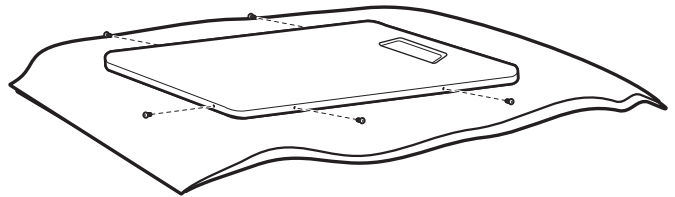
6. Holding door over towel, grasp sides of outer door and gently lift to separate it from inner door. Do not use a putty knife to pry apart. Do not pull on door seal or plastic door catch.



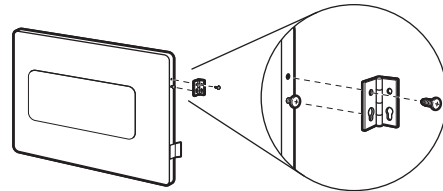
7. Be certain to keep cardboard spacer centered between doors. Reattach outer door panel to inner door panel so handle is on the side where hinges were just removed.



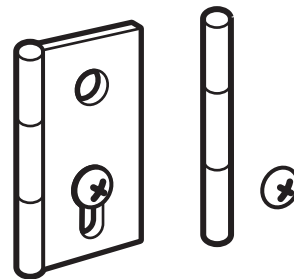
8. Reattach screws at top, bottom, and side of door (five screws).



9. Attach door hinges to dryer door so that larger hole is at the bottom of the hinge and the hinge pin is toward the door front.



10. Remove the four screws that attach two plugs on the left side. Attach plugs to right side using the same four screws.
11. Insert screws into bottom holes on left side of cabinet. Tighten screws halfway. Position door so large end of door hinge slot is over screws. Slide door up so screws are in bottom of slots. Tighten screws. Insert and tighten top screws in hinges.



12. Close door and check that door strike aligns with door catch. If needed, slide door catch left or right within slot to adjust alignment.

# MAINTENANCE INSTRUCTIONS

---

- Clean lint screen before and after each cycle.
- Removing accumulated lint:
  - From inside the dryer cabinet:  
Lint should be removed every two years or more often, depending on dryer usage. Cleaning should be done by a qualified person.
  - From the exhaust vent:  
Lint should be removed every two years, or more often, depending on dryer usage.
- Keep area around dryer clear and free from combustible materials, gasoline, and other flammable vapors and liquids.
- Keep dryer area clear and free from items that would obstruct the flow of combustion and ventilation air.

## **If dryer does not operate, check the following:**

- Electrical supply is connected.
- Circuit breaker is not tripped or house fuse is not blown.
- Door is closed.
- Controls are set in a running or “on” position.
- Cycle has been selected.
- For gas dryers, check that gas supply shut-off valves are set in open position.

# IF YOU NEED ASSISTANCE

---

Contact your authorized Commercial Laundry distributor. To locate your authorized Commercial Laundry distributor, or for web inquiries, visit [www.whirlpoolcommerciallaundry.com](http://www.whirlpoolcommerciallaundry.com).

If you cannot locate your distributor, the Commercial Laundry Support Center will answer any questions about operating or maintaining your dryer not covered in the Installation Instructions.

Just dial **1-800-662-3587** — the call is toll free.

When you call, you will need the dryer model number and serial number. Both numbers can be found on the serial-rating plate located in the dryer door opening.

# ELECTRONIC CONTROL SETUP INSTRUCTIONS

## IMPORTANT

### Electrostatic Discharge (ESD) Sensitive Electronics

ESD problems are present everywhere. ESD may damage or weaken the electronic control assembly. The new control assembly may appear to work well after repair is finished, but failure may occur at a later date due to ESD stress.

- Use an anti-static wrist strap. Connect wrist strap to green ground connection point or unpainted metal in the appliance.

-OR-

Touch your finger repeatedly to a green ground connection point or unpainted metal in the appliance.

- Before removing the part from its package, touch the anti-static bag to a green ground connection point or unpainted metal in the appliance.
- Avoid touching electronic parts or terminal contacts; handle electronic control assembly by edges only.
- When repackaging failed electronic control assembly in anti-static bag, observe above instructions.

## Accumulator Pricing

If the price is set to one coin 1, then accumulator pricing is in effect (stacked Coin models also require Fixed Cycle with Top Off option to be selected). Cycle time can be purchased one coin at a time (Coin models) up to the maximum time. Stacked Coin models will credit all money to a cycle with a single button press while in accumulator pricing.

## Fixed Cycle With Top Off Pricing

A dryer set to offer "Top Off" capability will allow time to be added to an existing dry cycle in increments equal to the number of minutes of dry time per quarter (coin 1), up to the maximum minutes, regardless of the cost required to start the dryer. No credit is given for coins or debit inputs entered when the control is displaying the maximum minutes.

Non-Coin / Card-Ready Models: In Enhanced Debit Mode, the top off price can be set independently. (See VALUE OF COIN 2), and the top off time is calculated according to the following equation:

$$\frac{\text{top off price}}{\text{full cycle price}} = \frac{\text{top off time}}{\text{full cycle length}}$$

Penny increment offset is not applied to top off purchases.

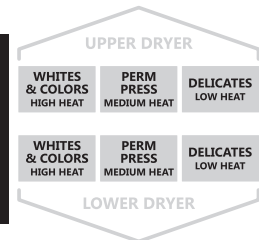
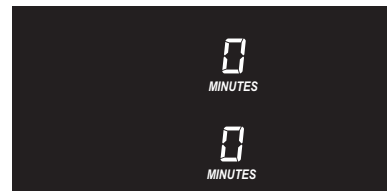
**FREE CYCLES** – This is established by setting the cycle price to zero. When this happens, "SELECT CYCLE" will appear rather than a cycle price. Any cycle started as a free cycle will automatically terminate when the door is opened.

**DEBIT CARD READY** – This dryer is debit card ready. It will accept a variety of debit card systems, but does NOT come with a debit card reader. Refer to the debit card reader manufacturer for proper dryer setup. In models converted to a Generation 1 debit card system, debit pulses represent the equivalent of one coin (coin 1).

## Display

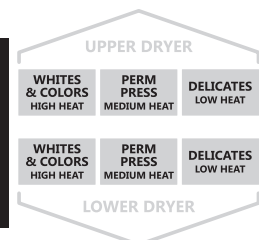
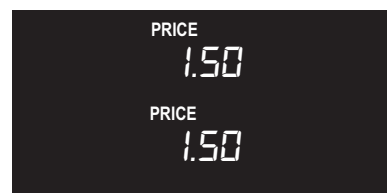
After the dryer has been installed and plugged in, the display will show "0 minutes."

## Stacked Non-Coin / Card-Ready Models



Once the unit has been plugged in and the dryer door opened and closed, the display will show the price. In Non-Coin / Card-Ready models set for free cycles, the display will flash "SELECT CYCLE" (not shown).

## Stacked Coin Models



## General User Information

**BLANK DISPLAY** – This condition indicates the dryer is inoperative. Enter setup mode to view diagnostic code.

**"0 MINUTES" SHOWING IN DISPLAY** – This indicates the cycle is complete and the dryer cannot be operated. Coins dropped or debit inputs during this condition will be stored in escrow but cannot be used until normal operation is restored by opening and closing the door. If a door switch has failed, it must be replaced before normal operation can be restored.

**COLD START (Initial first use)** – Dryer is programmed at the factory as follows:

5 minutes dry time/quarter (coin 1)

\$1.50 dry price (fixed cycle with top off – Coin Models)

\$0.00 dry price (fixed cycle – Non-Coin / Card-Ready Models)

**WARM START (after power failure)** – A few seconds after power is restored, if a cycle was in progress at the time of the power failure, "RESELECT CYCLE" will flash in the display, indicating a button needs to be pressed to restart dryer.

**PRICING** – After the door is opened and then closed following the completion of a cycle, the display indicates the cycle price (unless set for free operation). As coins are dropped or debit inputs arrive, the display will change to lead the user through the initiation of a cycle.

There are four (4) types of dryer pricing:

### Fixed "Vend" Pricing

A dryer set up for "Fixed Cycle" operation can only accept additional time accumulated by increments equal to the length of a complete dry cycle. A maximum number of minutes may be purchased; no additional credit is given for coins dropped when the maximum minutes are displayed.

# ELECTRONIC CONTROL SETUP INSTRUCTIONS

## Control Setup Procedures

**IMPORTANT:** Read all instructions before operating.

The fabric setting buttons along with the digital display are used to set up the dryer controls. The display can contain four numbers and/or letters and a decimal point. These are used to indicate the setup codes and related code values available for use in programming the appliance.

### How to Use the Buttons to Program the Controls

1. The WHITES AND COLORS button is used to adjust the values associated with setup code. Pressing the button will change the value by increments of one (1). Rapid adjustment is possible by holding down the button.
2. The PERM. PRESS button will advance through the setup codes. Pressing the button will advance to the next available setup code. Holding down the PERM. PRESS button will automatically advance through the setup codes at a rate faster than one (1) per second.
3. The DELICATES button is used to select or deselect options.

**IMPORTANT:** The console must not be opened unless power is first removed from the dryer. To access connector AA1:

- Unplug dryer or disconnect power.
- Open console, disconnect plug on AA1, close console.
- Plug in dryer or reconnect power.
- Stacked Coin Models: Insert access panel key and turn counterclockwise.
- Stacked Non-Coin / Card-Ready Models: Once the debit card reader is installed (according to the reader manufacturer's instructions), the setup mode can be entered by inserting a manual setup card (supplied by the reader manufacturer) into the card slot.

If manual setup card is not available, manual setup mode can be entered by turning the access panel key.

The dryer is now in the setup mode.

**NOTE:** This dryer is preset at the factory and does not require any programming. However, if you want to change the settings, follow the "Setup Codes" guide below.

- Coin Units are preset at the factory for fixed cycle price with top off.
- Non-Coin / Card-Ready units are preset for free cycle operation so they can be run without readers or coins.

### Setup Codes

- The PERM. PRESS button will advance you from code to code.
- The WHITES AND COLORS button will change the code value.
- The DELICATES button will select or deselect options.

FOR NON-COIN / CARD-READY MODELS: The setup codes are the same as for the Coin models except where noted.

**NOTE:** On all stacked dryer models, programming selections apply to both dryers. Stacked dryer selections are accessed by pressing the LOWER DRYER buttons.

The setup code is indicated by the one or two left-hand characters. The setup code value is indicated by the two or three right-hand characters.

Code	Explanation
<b>REGULAR CYCLE PRICE</b>	
606	Represents the number of quarters (coin 1) needed to start the dryer; may adjust from 0–39 (See VALUE OF COIN 1 b.05). Advance from 0–39 by pressing the WHITES AND COLORS button. Factory default of 6 quarters = \$1.50. NON-COIN / CARD-READY MODELS ONLY: Factory preset for 0 quarters. ■ Press the PERM. PRESS button once to advance to next code.
<b>REGULAR DRY TIME</b>	
705	Represents the number of minutes per quarter (coin 1). Factory default of 5 minutes per coin. Example: 6 quarters x 5 minutes = 30 minutes. By pressing the WHITES AND COLORS button, value adjusts from 1 to the maximum minutes. ■ Press the PERM. PRESS button once to advance to next code.
<b>TYPE OF DRYER PRICING</b>	
800	Fixed Cycle with Top Off. For detailed description, see "General User Information."
8FC	Fixed Cycle. For detailed description, see "General User Information." Use DELICATES button to make this selection. NON-COIN / CARD-READY MODELS ONLY: Factory preset for FC. ■ Press the PERM. PRESS button once to advance to next code.
<b>CYCLE COUNTER OPTION</b>	
9 00	This option is either NOT SELECTED "OFF" or SELECTED "ON."
9 00	Not Selected "OFF"
9 0C	Selected "ON" and not able to be deselected. ■ Press the DELICATES button three consecutive times to select "ON." Once selected "ON" it cannot be deselected. ■ Press the PERM. PRESS button once to advance to next code.
<b>If cycle counter (9 0C) is selected, the following is true:</b>	
1 00	Cycles in HUNDREDS <span style="float: right;">1 00 = 200</span>
2 00	Cycles in ONES <span style="float: right;">2 25 = 25</span>
<b>TOTAL CYCLES = 225</b>	

This is "VIEW ONLY" and cannot be cleared.

- Press the PERM. PRESS button once to advance to next code.

# ELECTRONIC CONTROL SETUP INSTRUCTIONS

Code	Explanation
1. 00	<b>MONEY COUNTER OPTION</b> This option is either NOT SELECTED "OFF" or SELECTED "ON."
1. 00	Not Selected "OFF."
1. 0C	Selected "ON." <ul style="list-style-type: none"> <li>■ Press the DELICATES button three consecutive times to select "ON" and three consecutive times to remove (Not Selected "OFF"). Counter resets by going from "OFF" to "ON."</li> </ul>
1. C0	Selected "ON" and not able to be deselected. <ul style="list-style-type: none"> <li>■ To select "ON" and not able to be deselected, first select "ON," then within two seconds, press the DELICATES button twice, the WHITES AND COLORS button once, and exit setup mode.</li> <li>■ Press the PERM. PRESS button once to advance to next code.</li> </ul>

2.00	<b>SPECIAL PRICING OPTIONS</b> This option is either NOT SELECTED "OFF" or SELECTED "ON."
2. 00	Not Selected "OFF," and next available code will be A.00.
2. SP	Selected "ON." <ul style="list-style-type: none"> <li>■ Press the DELICATES button once to change this selection.</li> </ul>

**If SPECIAL PRICING OPTION is selected, there is access to codes "3.XX" through "9.XX."**

- Press the PERM. PRESS button once to advance to next code.

**If money counter (1.0C or 1.C0) is selected, the following is true:**

3 00	Dollars in HUNDREDS	3 <u>01</u> = \$100.00
4 00	Dollars in ONES	4 <u>68</u> = \$ 68.00
5 00	Number of CENTS	5 <u>75</u> = \$ 00.75
		TOTAL = \$168.75

## OPTIONS 3.XX – 9.XX TO USE IF SPECIAL PRICING IS SELECTED

Code	Explanation
3.06	<b>SPECIAL CYCLE PRICE</b>
3.06	Represents the number of quarters (coin 1) to start the dryer; may adjust from 0–39. (See VALUE OF COIN 1 b.05.) Advance from 0–39 by pressing the WHITES AND COLORS button. Factory default of 6 quarters = \$1.50. NON-COIN / CARD-READY MODELS ONLY: Factory preset for 0 quarters. <ul style="list-style-type: none"> <li>■ Press the PERM. PRESS button once to advance to next code.</li> </ul>
4.05	<b>SPECIAL DRY TIME</b>
4.05	Represents the number of minutes per quarter (coin 1). <ul style="list-style-type: none"> <li>■ Factory default of 5 minutes per coin. Example: 6 quarters x 5 minutes = 30 minutes.</li> <li>■ By pressing the WHITES AND COLORS button, the value can be adjusted from 1 to the maximum minutes.</li> <li>■ Press the PERM. PRESS button once to advance to next code.</li> </ul>
5.00	<b>TIME-OF-DAY CLOCK, MINUTES</b>
5.00	This is the TIME-OF-DAY CLOCK, minute setting; select 0-59 minutes by pressing the WHITES AND COLORS button. <ul style="list-style-type: none"> <li>■ Press the PERM. PRESS button once to advance to next code.</li> </ul>
6.00	<b>TIME-OF-DAY CLOCK, HOURS</b> <b>NOTE:</b> Uses military time or 24 hr. clock.
6.00	This is the TIME-OF-DAY CLOCK, hour setting; select 0-23 hours by pressing the WHITES AND COLORS button. <ul style="list-style-type: none"> <li>■ Press the PERM. PRESS button once to advance to next code.</li> </ul>



# ELECTRONIC CONTROL SETUP INSTRUCTIONS

Code	Explanation																								
7. 00	<b>SPECIAL PRICE START HOUR</b> <b>NOTE:</b> Uses military time or 24 hr. clock.																								
7. 00	This is the start hour; 0–23 hours. <ul style="list-style-type: none"> <li>■ Select START HOUR by pressing the WHITES AND COLORS button.</li> <li>■ Press the PERM. PRESS button once to advance to next code.</li> </ul>																								
8. 00	<b>SPECIAL PRICE STOP HOUR</b> <b>NOTE:</b> Uses military time or 24 hr. clock.																								
8. 00	This is the stop hour; 0–23 hours. <ul style="list-style-type: none"> <li>■ Select STOP HOUR by pressing the WHITES AND COLORS button.</li> <li>■ Press the PERM. PRESS button once to advance to next code.</li> </ul>																								
9. 10	<b>SPECIAL PRICE DAY</b>																								
9. 10	This represents the day of the week and whether special pricing is selected for that day. A number followed by “0” indicates no selection that particular day (9.10). A number followed by an “S” indicates selected for that day (9.1S). Days of the week (1–7) are selected by pressing the WHITES AND COLORS button. Press the DELICATES button once to select special pricing for each day chosen.  When exiting setup code “9,” the display must show the current day of week:																								
	<table border="1"> <thead> <tr> <th>DISPLAY</th> <th>DAY OF WEEK</th> <th>CODE (selected)</th> </tr> </thead> <tbody> <tr> <td>10</td> <td>Day 1 = Sunday</td> <td>1S</td> </tr> <tr> <td>20</td> <td>Day 2 = Monday</td> <td>2S</td> </tr> <tr> <td>30</td> <td>Day 3 = Tuesday</td> <td>3S</td> </tr> <tr> <td>40</td> <td>Day 4 = Wednesday</td> <td>4S</td> </tr> <tr> <td>50</td> <td>Day 5 = Thursday</td> <td>5S</td> </tr> <tr> <td>60</td> <td>Day 6 = Friday</td> <td>6S</td> </tr> <tr> <td>70</td> <td>Day 7 = Saturday</td> <td>7S</td> </tr> </tbody> </table> <ul style="list-style-type: none"> <li>■ Press the PERM. PRESS button once to advance to next code.</li> </ul>	DISPLAY	DAY OF WEEK	CODE (selected)	10	Day 1 = Sunday	1S	20	Day 2 = Monday	2S	30	Day 3 = Tuesday	3S	40	Day 4 = Wednesday	4S	50	Day 5 = Thursday	5S	60	Day 6 = Friday	6S	70	Day 7 = Saturday	7S
DISPLAY	DAY OF WEEK	CODE (selected)																							
10	Day 1 = Sunday	1S																							
20	Day 2 = Monday	2S																							
30	Day 3 = Tuesday	3S																							
40	Day 4 = Wednesday	4S																							
50	Day 5 = Thursday	5S																							
60	Day 6 = Friday	6S																							
70	Day 7 = Saturday	7S																							
A. 00	<b>VAULT VIEWING OPTION</b> This option is either NOT SELECTED “OFF” or SELECTED “ON.”																								
A. 00	Not Selected “OFF.”																								
A. SC	Selected “ON.” <ul style="list-style-type: none"> <li>■ Press the DELICATES button once to change this selection. When selected, the money and/or cycle counts will be viewable (if counter option(s) is selected) when the coin box is removed.</li> <li>■ Press the PERM. PRESS button once to advance to next code.</li> </ul>																								

Code	Explanation
b. 05	<b>VALUE OF COIN 1</b>
b. 05	This represents the value of coin 1 in number of nickels: 05 = \$0.25. <ul style="list-style-type: none"> <li>■ By pressing the WHITES AND COLORS button, there is an option of 1–199 nickels.</li> <li>■ Press the PERM. PRESS button once to advance to next code.</li> </ul>
C. 20	<b>VALUE OF COIN 2</b>
C. 20	This represents the value of coin 2 in number of nickels: 20 = \$1.00. <ul style="list-style-type: none"> <li>■ By pressing the WHITES AND COLORS button, there is an option of 1–199 nickels.</li> </ul> <p>NON-COIN / CARD-READY MODELS ONLY: For Non-Coin / Card-Ready models using Enhanced Debit, this field represents the value of top off in nickels.</p> <p>NON-COIN / CARD-READY MODELS: Factory preset for \$0.25.</p> <ul style="list-style-type: none"> <li>■ Press the PERM. PRESS button once to advance to next code.</li> </ul>
d. 00	<b>COIN SLIDE OPTION</b> This option is either NOT SELECTED “OFF” or SELECTED “ON.”
d. 00	Not Selected “OFF.”
d. CS	Selected “ON.” <ul style="list-style-type: none"> <li>■ Press the DELICATES button three consecutive times for this selection. When coin slide mode is selected, set “b.” equal to value of slide in nickels. Set “606” (REGULAR CYCLE PRICE) and “3.06” (SPECIAL CYCLE PRICE) to number of slide operations.</li> </ul> <p><b>NOTE:</b> If the installer sets up “CS” on a coin drop model, it will not register coins.</p> <ul style="list-style-type: none"> <li>■ Press the PERM. PRESS button once to advance to next code.</li> </ul>
E. 00	<b>ADD COINS OPTION</b> This option is either NOT SELECTED “OFF” or SELECTED “ON.” This option causes the customer display to show the number of coins (coin 1) to enter, rather than the dollars-and-cents amount. The number in the display changes as the coins are accepted
E. 00	Not Selected “OFF.”
E. AC	Selected “ON.” <ul style="list-style-type: none"> <li>■ Press the DELICATES button three consecutive times to change this selection.</li> </ul> <p>NON-COIN / CARD-READY MODELS ONLY: In enhanced debit mode, this option is not selectable.</p> <ul style="list-style-type: none"> <li>■ Press the PERM. PRESS button once to advance to next code.</li> </ul>

# ELECTRONIC CONTROL SETUP INSTRUCTIONS

Code	Explanation
J. Cd	<b>PAYMENT MODE (COIN/DEBIT OPTION)</b>
J. Cd	Both coin and debit selected. Press the DELICATES button three consecutive times to change this selection.
J. C_	Coins selected, debit disabled. Press the DELICATES button three consecutive times to change this selection.
J. _d	Debit Card selected, coins disabled. Press the DELICATES button three consecutive times to change this selection.
J. Ed	Enhanced Debit is self-selected when a Generation 2 card reader is installed in the dryer. The Ed option cannot be manually selected or deselected. <ul style="list-style-type: none"> <li>■ Press the PERM. PRESS button once to advance to next code.</li> </ul>
L. 00	<b>PRICE SUPPRESSION OPTION</b> This option is either NOT SELECTED "OFF" or SELECTED "ON." This option causes the customer display to show "ADD" or "AVAILABLE" rather than the amount of money to add. (Used mainly in debit installations.)
L. 00	Not Selected "OFF."
L. PS	Selected "ON." <ul style="list-style-type: none"> <li>■ Press the DELICATES button once to change this selection.</li> <li>■ Press the PERM. PRESS button once to advance to next code.</li> </ul>
n. CE	<b>CLEAR ESCROW OPTION</b> This option is either NOT SELECTED "OFF" or SELECTED "ON." When selected, money held in escrow for 30 minutes without further escrow or cycle activity will be cleared.
n. 00	Not Selected "OFF."
n. CE	Selected "ON." <ul style="list-style-type: none"> <li>■ Press the DELICATES button once to change this selection.</li> <li>■ Press the PERM. PRESS button once to advance to next code.</li> </ul>
U. 00	<b>PENNY INCREMENT OFFSET</b>
U. 00	This represents the penny increment price offset used in Generation 2 (Enhanced Debit) Non-Coin / Card-Ready Models. Choose from 0–4 pennies by pressing the WHITES AND COLORS button. <ul style="list-style-type: none"> <li>■ Press the PERM. PRESS button once to advance to next code.</li> </ul>

END of SETUP PROCEDURES

## EXIT FROM SETUP MODE

**Stacked Models:** Turn access panel key back to original position.

## DIAGNOSTIC GUIDE

If the setup mode is entered and one of the following has occurred, the appropriate diagnostic code will be in the display.

## STACKED DRYERS

CODE	EXPLANATION
d1	Invalid upper dryer door circuit state – The CSP Venus control does not differentiate between invalid state and open door state.
d4	The CSP Venus control will send this error when the upper motor feedback circuit is sensing voltage with the door open or when the motor should not be on. The control does not know if the relay is bad (stuck on), the relay drive circuit is bad (shorted causing the motor relay to stay on), or the relay feedback circuit is bad.
d9	Low voltage.
d12	Upper dryer motor sense circuit error on control board or due to power line interference (upper dryer cycles and upper dryer display disabled until diagnostic code is manually cleared).
d13	Coin 2 failure.
d16	Gen 2 debit card communication error.
d17	Lower dryer door sense error on control board or due to power line interference (lower dryer cycles and lower dryer display disabled until diagnostic code is manually cleared).
d20	Lower dryer motor control circuit error (upper dryer cycles and upper dryer display disabled until diagnostic code is manually cleared).

# WHIRLPOOL® COMMERCIAL LAUNDRY LIMITED WARRANTY

**IF YOU NEED SERVICE:**

Contact your authorized Whirlpool® Commercial Laundry distributor. To locate your authorized Whirlpool® Commercial Laundry distributor, call:  
**1-800-662-3587, or for web inquiries, visit [www.whirlpoolcommerciallaundry.com](http://www.whirlpoolcommerciallaundry.com).**

For written correspondence:

**Whirlpool® Commercial Laundry Service Department  
2000 N M 63  
Benton Harbor, Michigan 49022-2632 USA**

**90 DAY LIMITED WARRANTY**

**WHAT IS COVERED**

**90 DAY LIMITED WARRANTY  
(PARTS AND LABOR)**

For 90 days from the original date of purchase, when this commercial appliance is installed, maintained, and operated according to the instructions attached to or furnished with the product, Whirlpool Corporation (hereafter "Whirlpool") will pay for factory specified replacement parts and repair labor to correct defects in materials or workmanship that existed when this commercial appliance was purchased.

**TWO YEAR LIMITED WARRANTY  
(PARTS ONLY)**

For the first two years from the original date of purchase, when this commercial appliance is installed, maintained, and operated according to the instructions attached to or furnished with the product, Whirlpool will pay for factory specified replacement parts to correct defects in materials or workmanship that existed when this commercial appliance was purchased.

**YOUR SOLE AND EXCLUSIVE REMEDY UNDER THIS LIMITED WARRANTY SHALL BE PRODUCT REPAIR AS PROVIDED HEREIN.** Whirlpool recommends that you use an "in network" service provider to diagnose and repair your Commercial Laundry product. Whirlpool will not be responsible under this warranty to provide additional replacement parts as a result of incorrect diagnosis or repair by an "out of network" service company. This limited warranty is valid in the United States or Canada and applies only when the commercial appliance is used in the country in which it was purchased. This limited warranty is effective from the date of the original consumer purchase. Proof of original purchase date is required to obtain service under this limited warranty.

**WHAT IS NOT COVERED**

1. All other costs including labor, transportation, shipping, or custom duties for covered parts.
2. Factory specified replacement parts if this commercial appliance is used for other than normal, commercial use or when it is used in a manner that is inconsistent to published user or operator instructions and/or installation instructions.
3. Service calls to correct the installation of your commercial appliance, to instruct you on how to use your commercial appliance, to replace or repair house fuses, or to correct external wiring or plumbing.
4. Service calls to repair or replace appliance light bulbs, air filters, or water filters. Consumable parts are excluded from warranty coverage.
5. Damage resulting from improper handling of product during delivery, theft, accident, alteration, misuse, abuse, fire, flood, acts of God, improper installation, installation not in accordance with local electrical or plumbing codes, or use of products not approved by Whirlpool.
6. Pick up and delivery. This commercial appliance is designed to be repaired on location.
7. Repairs to parts or systems resulting from unauthorized modifications made to the commercial appliance.
8. The removal and reinstallation of your commercial appliance if it is installed in an inaccessible location or is not installed in accordance with published installation instructions.
9. Damage resulting from exposure to chemicals.
10. Changes to the building, room, or location needed in order to make the commercial appliance operate correctly.
11. Factory specified replacement parts on commercial appliances with original model/serial numbers that have been removed, altered, or cannot be easily determined.
12. Discoloration, rust, or oxidation of stainless steel surfaces.
13. Factory specified replacement parts as a result of incorrect diagnosis or repair by an "out of network" service company.

**The cost of repair or replacement under these excluded circumstances shall be borne by the customer.**

**DISCLAIMER OF IMPLIED WARRANTIES**

IMPLIED WARRANTIES, INCLUDING ANY IMPLIED WARRANTY OF MERCHANTABILITY OR IMPLIED WARRANTY OF FITNESS FOR A PARTICULAR PURPOSE, ARE LIMITED TO TWO YEARS OR THE SHORTEST PERIOD ALLOWED BY LAW. Some states and provinces do not allow limitations on the duration of implied warranties of merchantability or fitness, so this limitation may not apply to you. This warranty gives you specific legal rights, and you also may have other rights that vary from state to state or province to province.

**DISCLAIMER OF REPRESENTATIONS OUTSIDE OF WARRANTY**

Whirlpool makes no representations about the quality, durability, or need for service or repair of this major appliance other than the representations contained in this Warranty. If you want a longer or more comprehensive warranty than the limited warranty that comes with this major appliance, you should ask Whirlpool or your retailer about buying an extended warranty.

**LIMITATION OF REMEDIES; EXCLUSION OF INCIDENTAL AND CONSEQUENTIAL DAMAGES**

**YOUR SOLE AND EXCLUSIVE REMEDY UNDER THIS LIMITED WARRANTY SHALL BE PRODUCT REPAIR AS PROVIDED HEREIN. WHIRLPOOL SHALL NOT BE LIABLE FOR INCIDENTAL OR CONSEQUENTIAL DAMAGES.** Some states and provinces do not allow the exclusion or limitation of incidental or consequential damages, so these limitations and exclusions may not apply to you. This warranty gives you specific legal rights, and you also may have other rights that vary from state to state or province to province.





**W11255762A**  
**W11255763A-SP**

07/18

®/™ ©2018 Whirlpool. All rights reserved.

