



# MEMPHIS

WOOD FIRE GRILLS



## MEMPHIS ADVANTAGE

MODEL NUMBER: VG0050 / VG0050E

### CONTENTS

<b>Grill Clearance to Combustible Materials</b>	<b>2</b>
<b>Wiring Diagram</b>	<b>3-4</b>

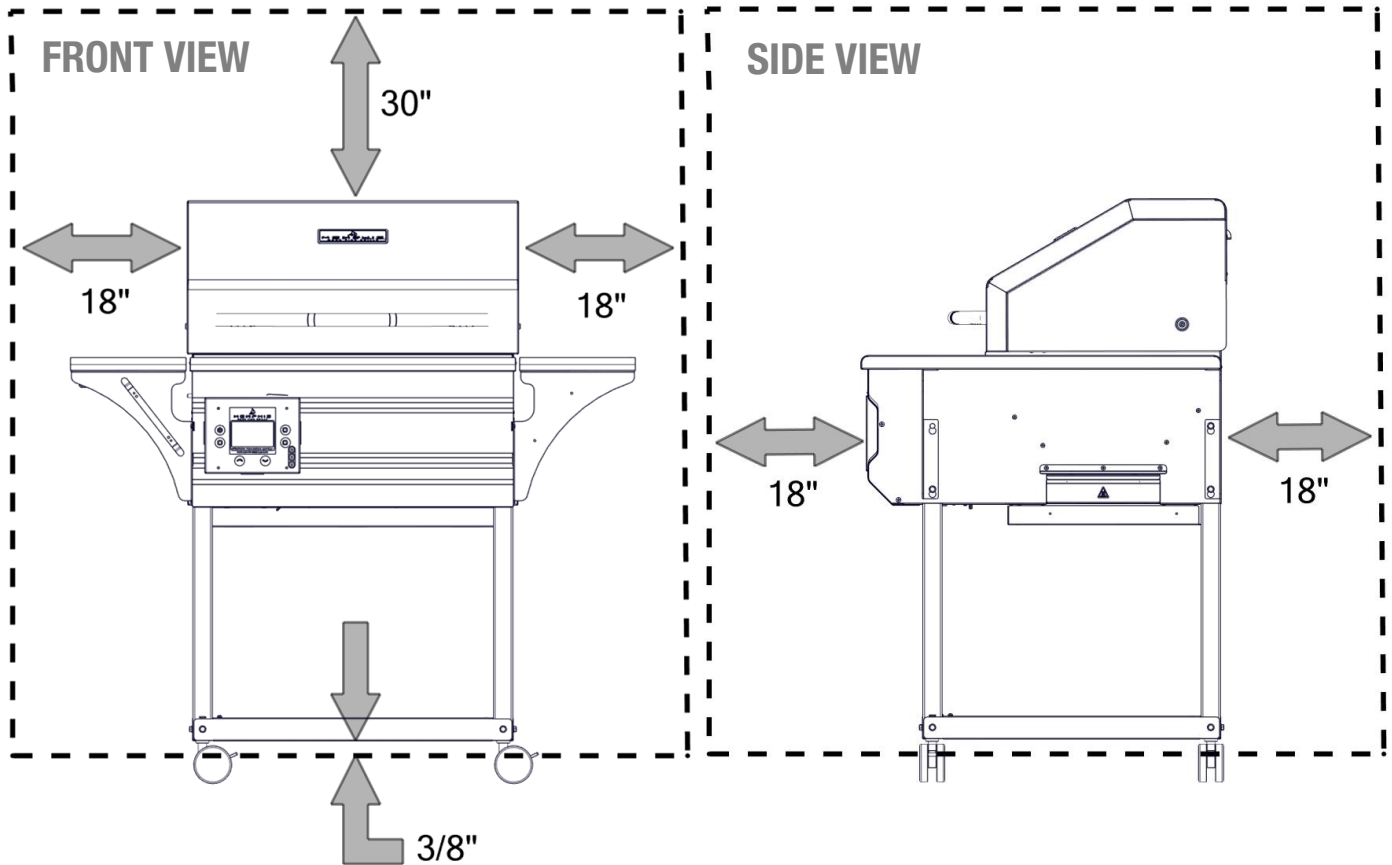
**READ ALL INSTRUCTIONS BEFORE INSTALLING AND USING THIS APPLIANCE  
SAVE THESE INSTRUCTIONS FOR FUTURE REFERENCE**





**YOUR MEMPHIS GRILL MUST MAINTAIN THE SPECIFIED CLEARANCE TO COMBUSTIBLE MATERIALS WHILE OPERATING THE GRILL OR WHILE THE GRILL IS HOT!**

**CLEARANCE TO COMBUSTIBLE MATERIALS**



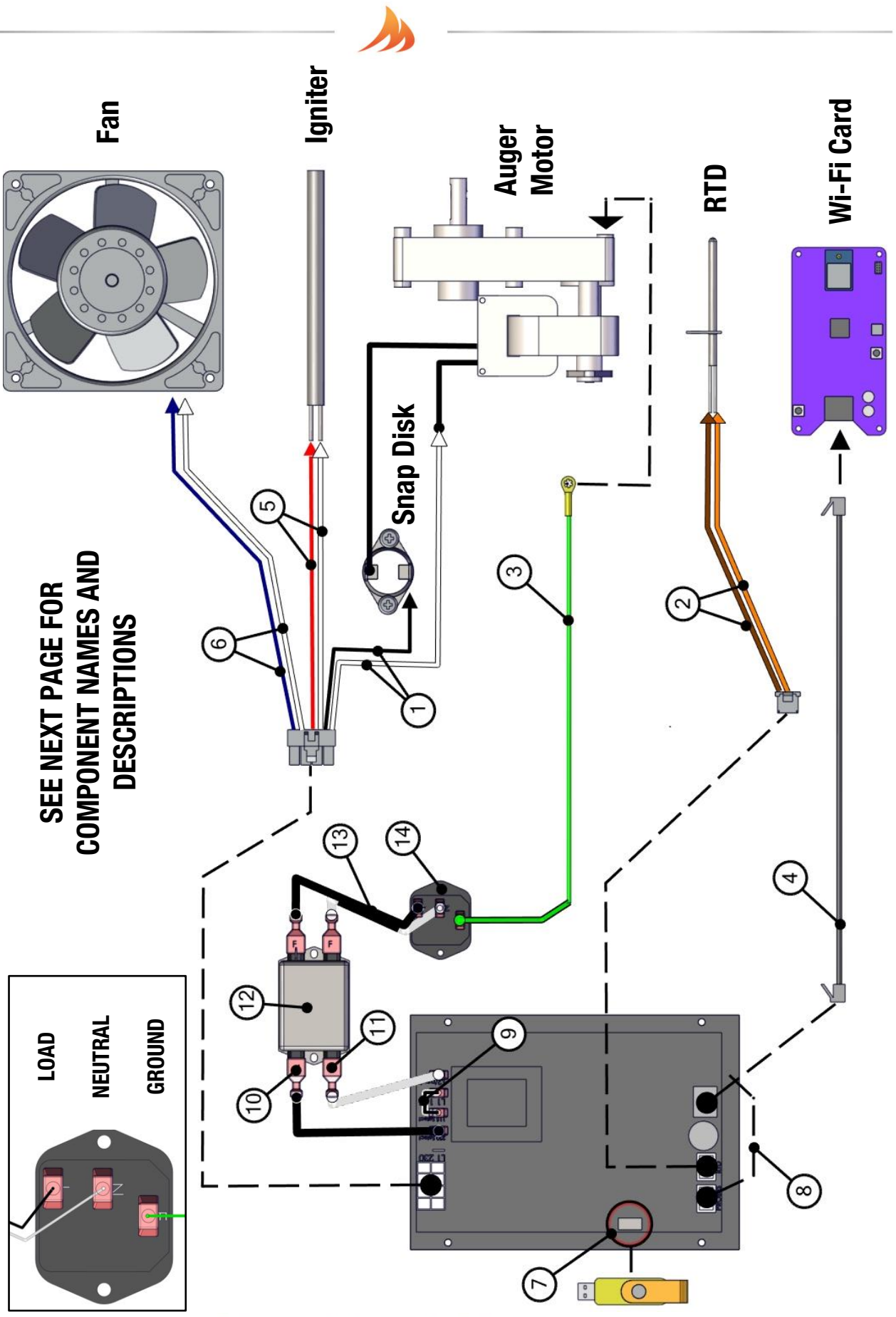
Below are some guidelines to ensure safe operation of your Memphis Grill

- The grill is to be supported by the casters provided.
- Grill casters are to be locked while the grill is in use or while the grill is hot.
- It is recommended that the grill be placed on a non-combustible surface.
- Operating the grill under a combustible ceiling or overhang is **NOT** recommended.
- Maintain the minimum clearance to combustible materials specified below.

**A MAJOR CAUSE OF FIRES IS FAILURE TO MAINTAIN REQUIRED CLEARANCES (AIR SPACES) TO COMBUSTIBLE MATERIALS. IT IS OF THE UTMOST IMPORTANCE THAT THIS PRODUCT BE INSTALLED ONLY IN ACCORDANCE WITH THESE INSTRUCTIONS**

**MEMPHIS ADVANTAGE  
COMPONENT WIRING  
DIAGRAM**

**NOTE: ALL TWO WIRE PAIRS FOR A SPECIFIC COMPONENT ARE REVERSABLE**  
**Example: The auger motor wiring can have the either spade connector from its two wire pair attached to either terminal and the motor will function normally. The IEC plug wiring must be as shown and is not reversible.**



**SEE NEXT PAGE FOR  
COMPONENT NAMES AND  
DESCRIPTORS**



## MEMPHIS ADVANTAGE COMPONENT WIRING DIAGRAM CONT.

<b>Item #</b>	<b>NAME</b>	<b>Wire Identification</b>	<b>DESCRIPTION / INSTRUCTION</b>
1	Auger Motor Wiring	1x Black Wire, 1x White Wire Snap Disk Leads Extending from Auger Motor	Attach the white wire shown to one of the leads extending from the auger motor. Attach the black wire to the snap disk as shown. The 2 <sup>nd</sup> lead extending from the auger motor attaches to the opposite side of the snap disk as shown. The snap disk is a thermal switch which will cut power to the auger motor in the event that its critical temperature is reached.
2	RTD Wiring	1x Orange Wire, 1x Brown Wire	Attach both spade connectors to the leads extending from the RTD as shown above.
3	Grounding Wire	Green Wire	The connection point for the ground is located on the auger motor gearbox body as shown.
4	Ethernet Cable	Black Cable with Ethernet End	Attach the Ethernet cable to the terminal on the Wi-Fi card as shown. Ensure that the wiring does not interfere with the auger motor's moving components.
5	Igniter Wiring	1x Red Wire, 1x White Wire	Attach both spade connectors to the leads extending from the igniter. These leads will extend from next to the fan.
6	Fan Wiring	1x Blue Wire w/ 2 spade ends, 1x White Wire w/ 2 spade ends	Attach the connections on this jumper to the two tabs located on the side of the fan housing.
7	USB Port	N/A	Used to update your grill, see the "Updating Controller Software" section of the main manual for information.
8	Meat Probe Wiring	1x Red Wire 1x Black Wire, Wires twisted around each other	This terminal is used to connect the meat probes to the controller
9	120/240 Select Jumper	1x Black Wire	Used when changing the input voltage to the controller, see "120v to 240v Conversion" section of the main manual for information.
10	AC Load Wire from Filter to Controller	1x Black Wire	Carries AC voltage from the filter to the control board, load wire.
11	AC Neutral Wire from Filter to Controller	1x White Wire	Carries AC voltage from the filter to the control board, neutral wire.
12	Filter	N/A	Reduces electrical feedback. Line = Outlet Side, Load = Grill Side. L1 = Load L2= Neutral
13	AC Neutral and Load from IEC to Filter	1x Red Wire 1x Black Wire, Pair is joined in the middle with black shrink wrap.	A two wire component which has a ferrite choke to eliminate input electrical disturbances from the grid. Load and Neutral wires.
14	IEC Plug	N/A	The same plug terminal used to attach your power cord to your grill. Top down view.

CONTACT MEMPHIS GRILLS CUSTOMER SERVICE WITH ANY QUESTIONS.

1-888-883-2260